

SECTION **PG**

POWER SUPPLY, GROUND & CIRCUIT ELEMENTS

CONTENTS

PRECAUTION	3	Wiring Diagram - BATTERY POWER SUPPLY	
PRECAUTIONS	3	FUSE No. 50 -	44
Precaution for Supplemental Restraint System (SRS) "AIR BAG" and "SEAT BELT PRE-TENSIONER"	3	Wiring Diagram - BATTERY POWER SUPPLY	
Precautions for Removing Battery Terminal	3	FUSE No. 52 -	45
PREPARATION	4	Wiring Diagram - BATTERY POWER SUPPLY	
PREPARATION	4	FUSE No. 53 -	46
Special Service Tools	4	Wiring Diagram - ACCESSORY POWER SUPPLY -	48
SYSTEM DESCRIPTION	5	Wiring Diagram - ACCESSORY POWER SUPPLY FUSE No. 19 -	53
COMPONENT PARTS	5	Wiring Diagram - IGNITION POWER SUPPLY -	54
Circuit Breaker	5	Wiring Diagram - IGNITION POWER SUPPLY	
Battery	5	FUSE No. 3 -	73
Harness Connector	5	Wiring Diagram - IGNITION POWER SUPPLY	
Standardized Relay	8	FUSE No. 4 -	75
WIRING DIAGRAM	11	Wiring Diagram - IGNITION POWER SUPPLY	
POWER SUPPLY ROUTING CIRCUIT	11	FUSE No. 44 -	76
Wiring Diagram - BATTERY POWER SUPPLY -	11	Wiring Diagram - IGNITION POWER SUPPLY	
Wiring Diagram - BATTERY POWER SUPPLY FUSIBLE LINK No. J -	36	FUSE No. 45 -	77
Wiring Diagram - BATTERY POWER SUPPLY FUSIBLE LINK No. L -	37	OPTION HARNESS	78
Wiring Diagram - BATTERY POWER SUPPLY FUSE No. 6 -	38	Wiring Diagram	78
Wiring Diagram - BATTERY POWER SUPPLY FUSE No. 9 -	39	FUSE BLOCK - JUNCTION BOX (J/B)	80
Wiring Diagram - BATTERY POWER SUPPLY FUSE No. 10 -	40	Fuse, Connector and Terminal Arrangement	80
Wiring Diagram - BATTERY POWER SUPPLY FUSE No. 11 -	41	FUSE, FUSIBLE LINK AND RELAY BOX	81
Wiring Diagram - BATTERY POWER SUPPLY FUSE No. 33 -	42	Fuse and Fusible Link Arrangement	81
Wiring Diagram - BATTERY POWER SUPPLY FUSE No. 35 -	43	IPDM E/R (INTELLIGENT POWER DISTRIBUTION MODULE ENGINE ROOM)	82
		Fuse, Connector and Terminal Arrangement	82
		HARNESS LAYOUT	83
		Outline	83
		Engine Room Harness	84
		Engine Control Harness	86
		Main Harness	87
		Body Harness	88
		Chassis Harness	90
		Door Harness	91
		Room Lamp Harness	96

A
B
C
D
E
F
G
H
I
J
K
L
PG
N
O
P

BASIC INSPECTION	97	BATTERY TERMINAL WITH FUSIBLE LINK ..	106
		Exploded View	106
BATTERY INSPECTION	97	Removal and Installation	106
How to Handle Battery	97	BATTERY CURRENT SENSOR	107
Work Flow	97	Exploded View	107
FUSE INSPECTION	100	Removal and Installation	107
How To Check	100	SERVICE DATA AND SPECIFICATIONS	
FUSIBLE LINK INSPECTION	104	(SDS)	108
How To Check	104	SERVICE DATA AND SPECIFICATIONS	
REMOVAL AND INSTALLATION	105	(SDS)	108
BATTERY	105	Battery	108
Exploded View	105		
Removal and Installation	105		

PRECAUTIONS

< PRECAUTION >

PRECAUTION

PRECAUTIONS

Precaution for Supplemental Restraint System (SRS) "AIR BAG" and "SEAT BELT PRE-TENSIONER"

INFOID:000000009651740

The Supplemental Restraint System such as "AIR BAG" and "SEAT BELT PRE-TENSIONER", used along with a front seat belt, helps to reduce the risk or severity of injury to the driver and front passenger for certain types of collision. This system includes seat belt switch inputs and dual stage front air bag modules. The SRS system uses the seat belt switches to determine the front air bag deployment, and may only deploy one front air bag, depending on the severity of a collision and whether the front occupants are belted or unbelted. Information necessary to service the system safely is included in the "SRS AIR BAG" and "SEAT BELT" of this Service Manual.

WARNING:

Always observe the following items for preventing accidental activation.

- To avoid rendering the SRS inoperative, which could increase the risk of personal injury or death in the event of a collision that would result in air bag inflation, all maintenance must be performed by an authorized NISSAN/INFINITI dealer.
- Improper maintenance, including incorrect removal and installation of the SRS, can lead to personal injury caused by unintentional activation of the system. For removal of Spiral Cable and Air Bag Module, see "SRS AIR BAG".
- Never use electrical test equipment on any circuit related to the SRS unless instructed to in this Service Manual. SRS wiring harnesses can be identified by yellow and/or orange harnesses or harness connectors.

PRECAUTIONS WHEN USING POWER TOOLS (AIR OR ELECTRIC) AND HAMMERS

WARNING:

Always observe the following items for preventing accidental activation.

- When working near the Air Bag Diagnosis Sensor Unit or other Air Bag System sensors with the ignition ON or engine running, never use air or electric power tools or strike near the sensor(s) with a hammer. Heavy vibration could activate the sensor(s) and deploy the air bag(s), possibly causing serious injury.
- When using air or electric power tools or hammers, always switch the ignition OFF, disconnect the battery, and wait at least 3 minutes before performing any service.

Precautions for Removing Battery Terminal

INFOID:000000009981946

- When removing the 12V battery terminal, turn OFF the ignition switch and wait at least 30 seconds.

NOTE:

ECU may be active for several tens of seconds after the ignition switch is turned OFF. If the battery terminal is removed before ECU stops, then a DTC detection error or ECU data corruption may occur.

- For vehicles with the 2-batteries, be sure to connect the main battery and the sub battery before turning ON the ignition switch.

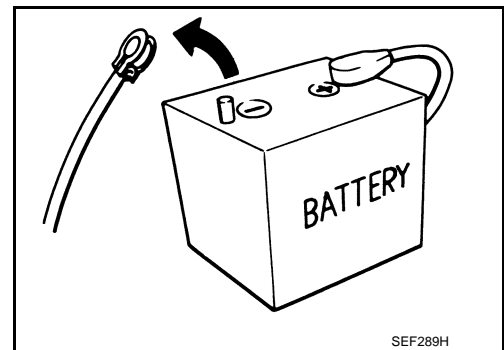
NOTE:

If the ignition switch is turned ON with any one of the terminals of main battery and sub battery disconnected, then DTC may be detected.

- After installing the 12V battery, always check "Self Diagnosis Result" of all ECUs and erase DTC.

NOTE:

The removal of 12V battery may cause a DTC detection error.



PREPARATION

< PREPARATION >

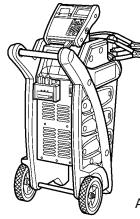
PREPARATION

PREPARATION

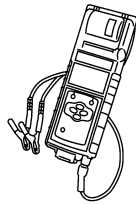
Special Service Tools

INFOID:000000009651741

Tool number (Kent-Moore No.) Tool name	Description
— (—) Model GR8-1200 NI Multitasking battery and electrical diagnostic station	Tests batteries, starting and charging systems and charges batteries. For operating instructions, refer to diagnostic station instruction manual.
— (—) Model EXP-800 NI Battery and electrical diagnostic analyzer	Tests batteries and charging systems. For operating instructions, refer to diagnostic analyzer instruction manual.



AWI1A1239ZZ



JSMIA0806ZZ

COMPONENT PARTS

< SYSTEM DESCRIPTION >

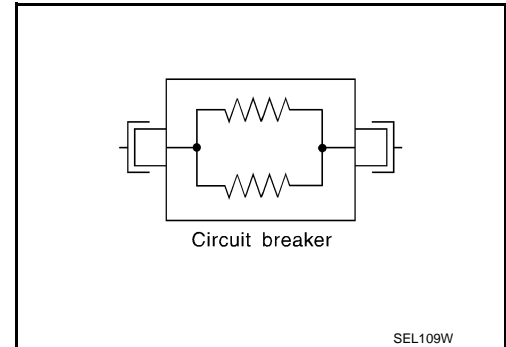
SYSTEM DESCRIPTION

COMPONENT PARTS

Circuit Breaker

INFOID:000000009651742

The PTC thermistor generates heat in response to current flow. The temperature (and resistance) of the thermistor element varies with current flow. Excessive current flow will cause the element's temperature to rise. When the temperature reaches a specified level, the electrical resistance will rise sharply to control the circuit current. Reduced current flow will cause the element to cool. Resistance falls accordingly and normal circuit current flow is allowed to resume.



Battery

INFOID:000000009651743

Type		110D26L-HR*
20 hour rate capacity	[V – Ah]	12 – 75
Cold cranking current (For reference value)	[A]	720

HR*: Because of the frequent battery charge/discharge performed according to a driving condition and a battery condition, this model uses a charge/discharge capacity-enhanced battery. Therefore, it is recommended to use a genuine battery when replacement is needed.

Harness Connector

INFOID:000000009651744

HARNESS CONNECTOR (TAB-LOCKING TYPE)

- The tab-locking type connectors help prevent accidental looseness or disconnection.
- The tab-locking type connectors are disconnected by pushing or lifting the locking tab(s). Refer to the figure below.

CAUTION:

To prevent damage to the parts, never pull the harness or wires when disconnecting the connector.

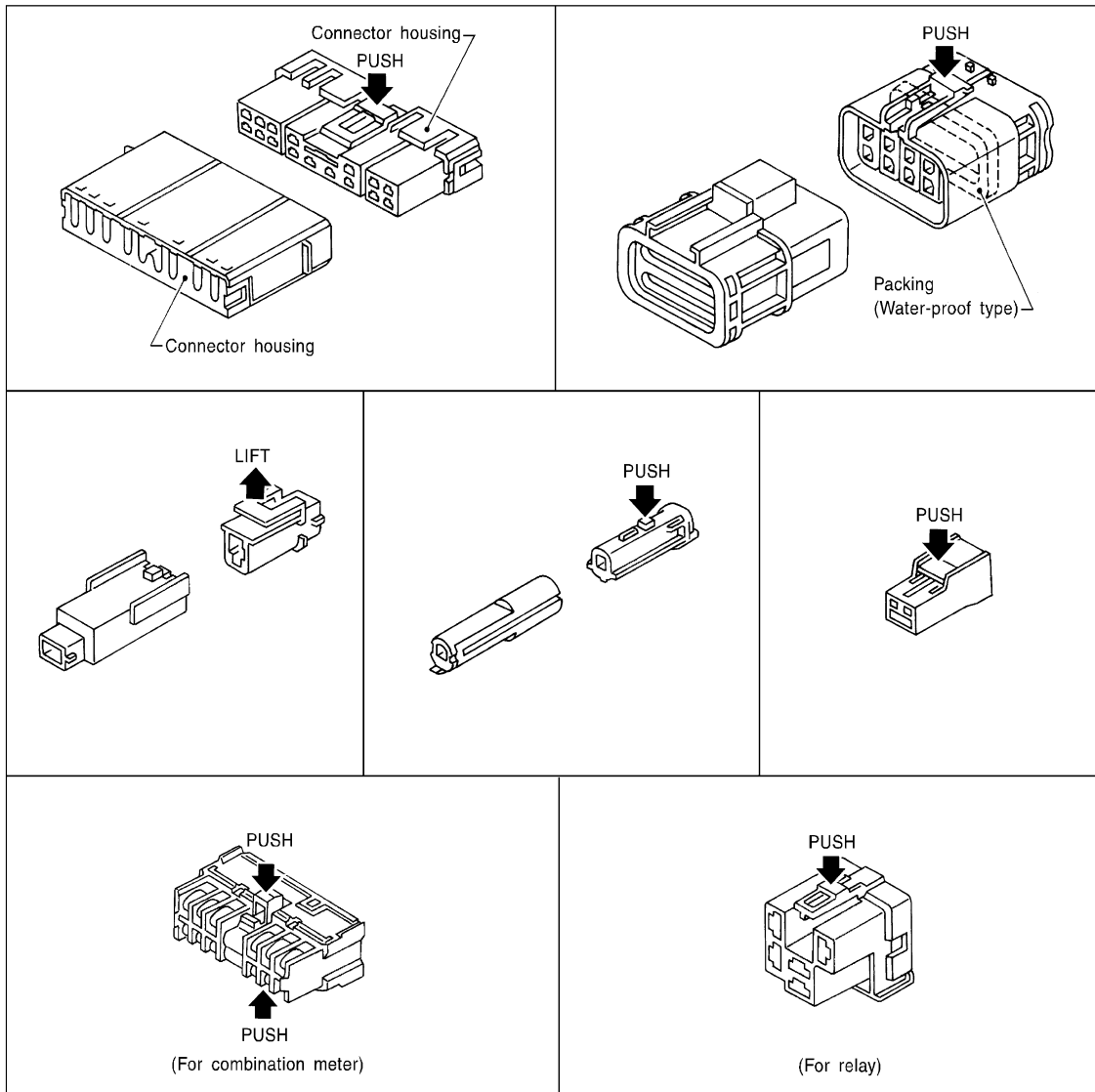
A
B
C
D
E
F
G
H
I
J
K
L
N
O
P

PG

COMPONENT PARTS

< SYSTEM DESCRIPTION >

[Example]



SEL769DA

HARNESS CONNECTOR (SLIDE-LOCKING TYPE)

- A new style slide-locking type connector is used on certain systems and components, especially those related to OBD.
- The slide-locking type connectors help prevent incomplete locking and accidental looseness or disconnection.
- The slide-locking type connectors are disconnected by pushing or pulling the slider. Refer to the figure below.

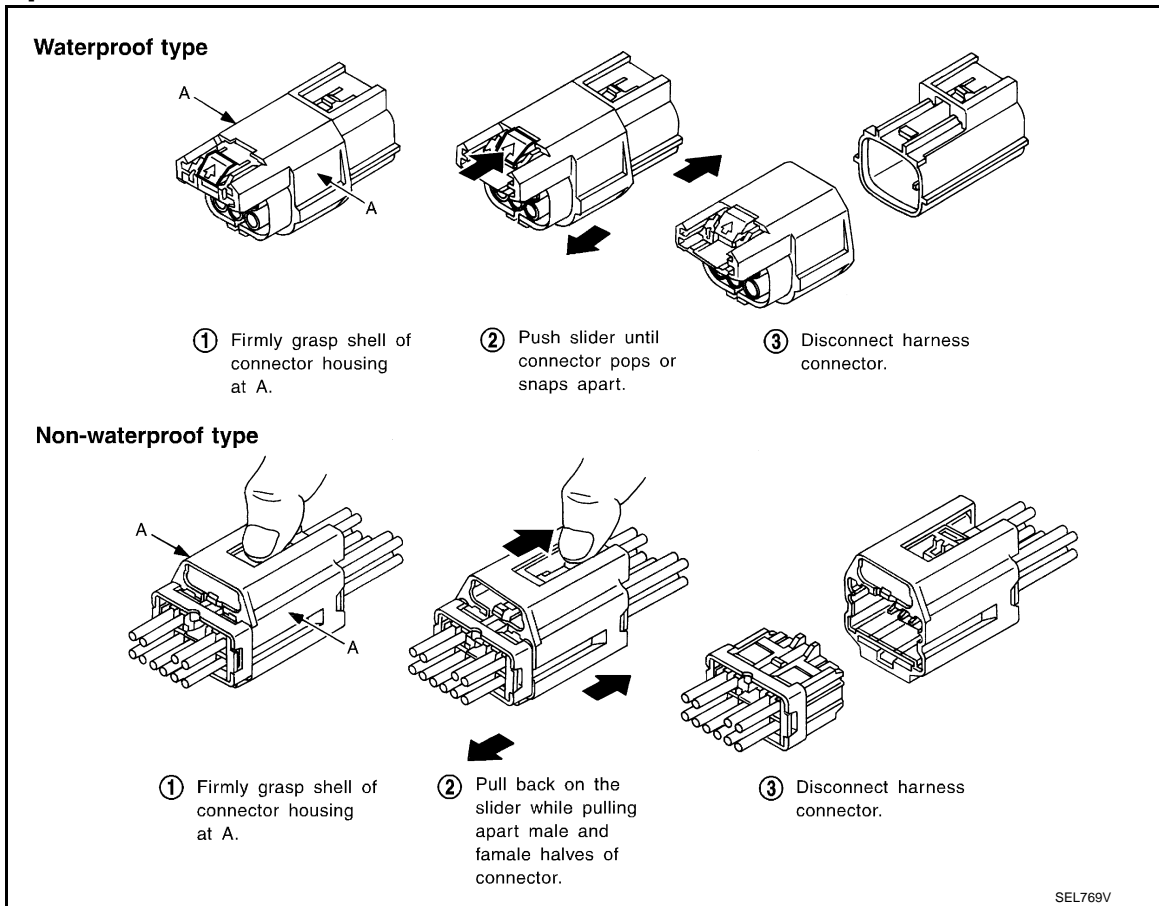
CAUTION:

- To prevent damage to the parts, never pull the harness or wires when disconnecting the connector.
- To prevent damage to the parts, be careful not to damage the connector support bracket when disconnecting the connector.

COMPONENT PARTS

< SYSTEM DESCRIPTION >

[Example]



HARNESS CONNECTOR (LEVER LOCKING TYPE)

- Lever locking type harness connectors are used on certain control units and control modules such as ECM, ABS actuator and electric unit (control unit), etc.
- Lever locking type harness connectors are also used on super multiple junction (SMJ) connectors.
- Always confirm the lever is fully locked in place by moving the lever as far as it will go to ensure full connection.

CAUTION:

A
B
C
D
E
F
G
H
I
J
K
L

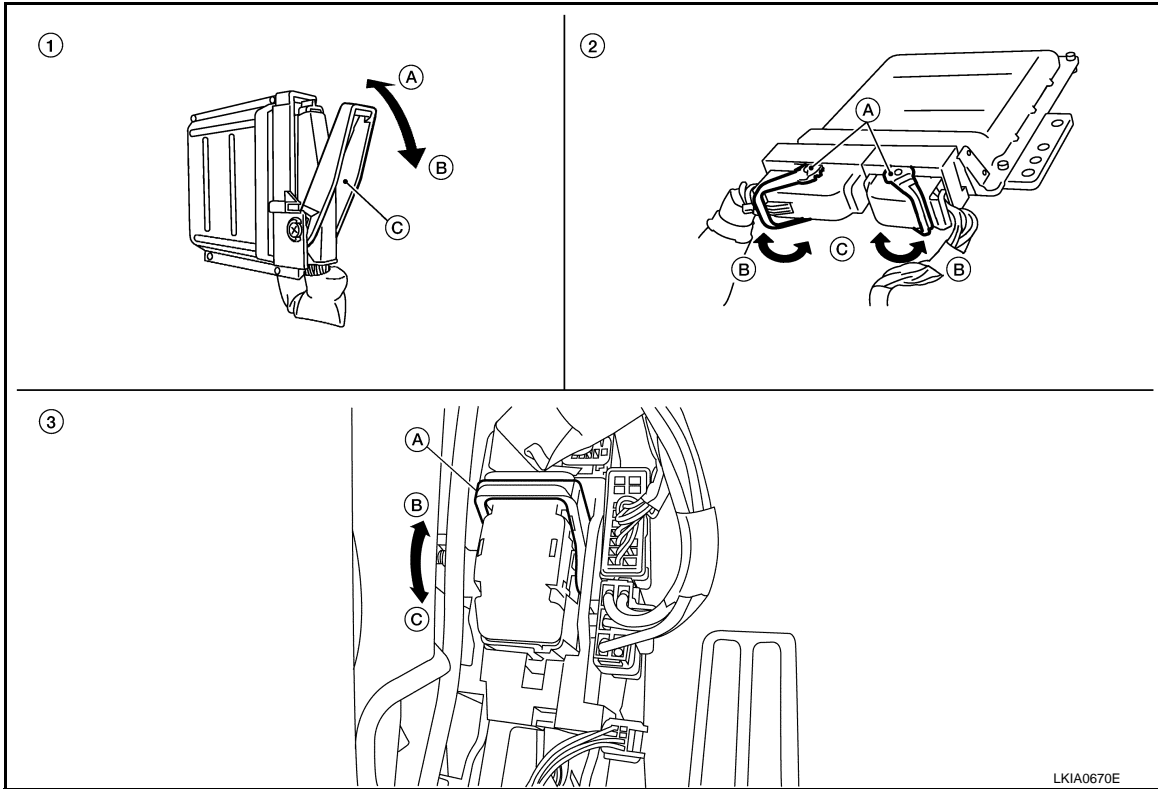
PG

N
O
P

COMPONENT PARTS

< SYSTEM DESCRIPTION >

Always confirm the lever is fully released (loosened) before attempting to disconnect or connect these connectors to avoid damage to the connector housing or terminals.



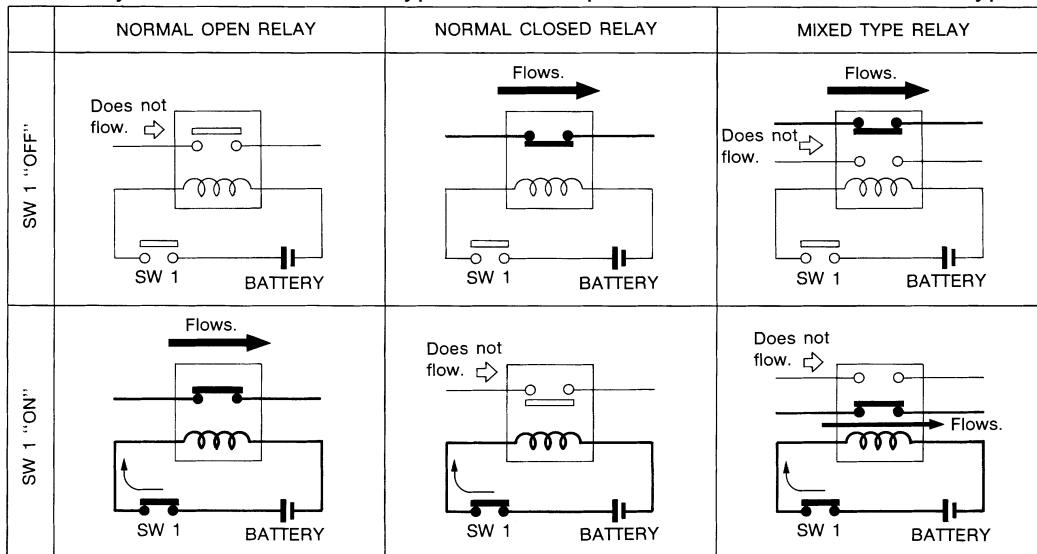
- | | | |
|--|--|---|
| <p>1. Control unit with single lever</p> <p>A. Fasten</p> <p>B. Loosen</p> <p>C. Lever</p> | <p>2. Control unit with dual levers</p> <p>A. Levers</p> <p>B. Fasten</p> <p>C. Loosen</p> | <p>3. SMJ connector</p> <p>A. Lever</p> <p>B. Fasten</p> <p>C. Loosen</p> |
|--|--|---|

Standardized Relay

INFOID:000000009651745

NORMAL OPEN, NORMAL CLOSED AND MIXED TYPE RELAYS

Relays can mainly be divided into three types: normal open, normal closed and mixed type relays.



SEL881H

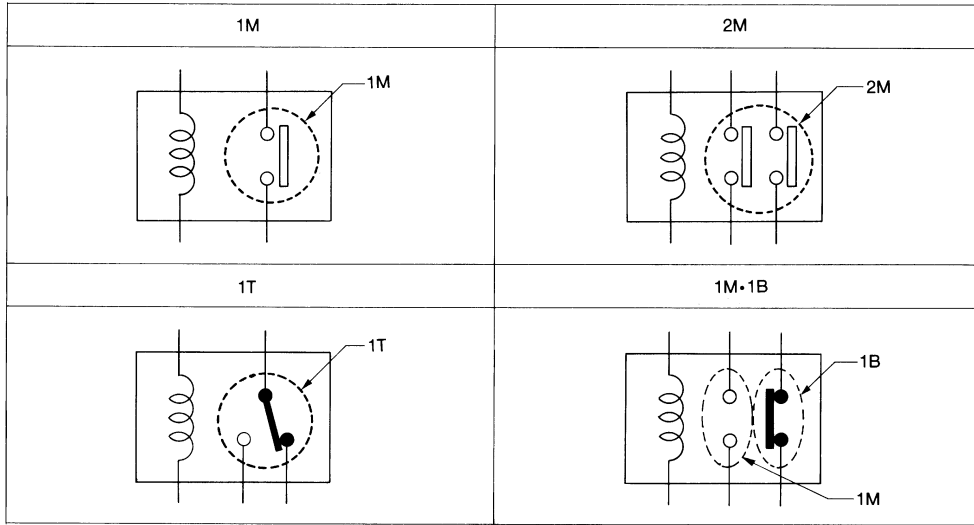
TYPE OF STANDARDIZED RELAYS

COMPONENT PARTS

< SYSTEM DESCRIPTION >

1M 1 Make
 1T 1 Transfer

2M 2 Make
 1M-1B 1 Make 1 Break

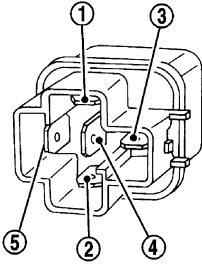
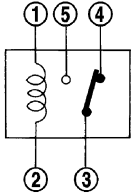
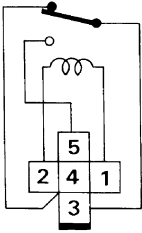
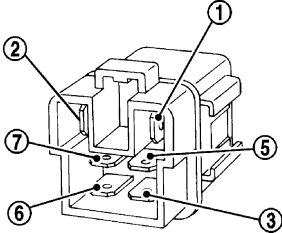
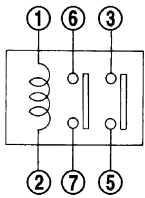
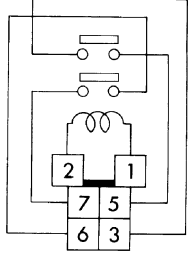
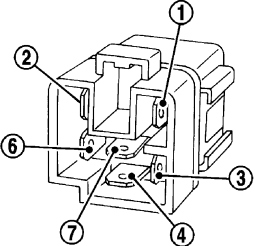
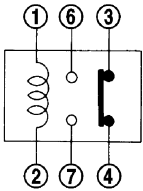
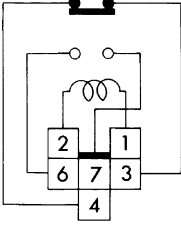
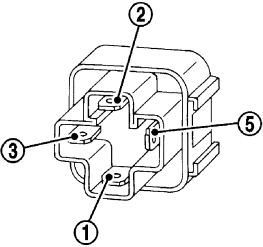
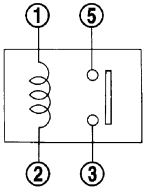
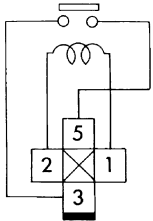
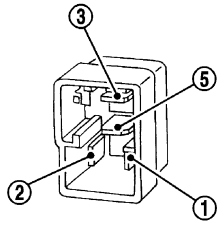
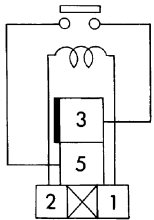


SEL882H

A
 B
 C
 D
 E
 F
 G
 H
 I
 J
 K
 L
 PG
 N
 O
 P

COMPONENT PARTS

< SYSTEM DESCRIPTION >

Type	Outer view	Circuit	Connector symbol and connection	Case color
1T				BLACK
2M				BROWN
1M•1B				GRAY
1M				BLUE
				

The arrangement of terminal numbers on the actual relays may differ from those shown above.

SEL188W

POWER SUPPLY ROUTING CIRCUIT

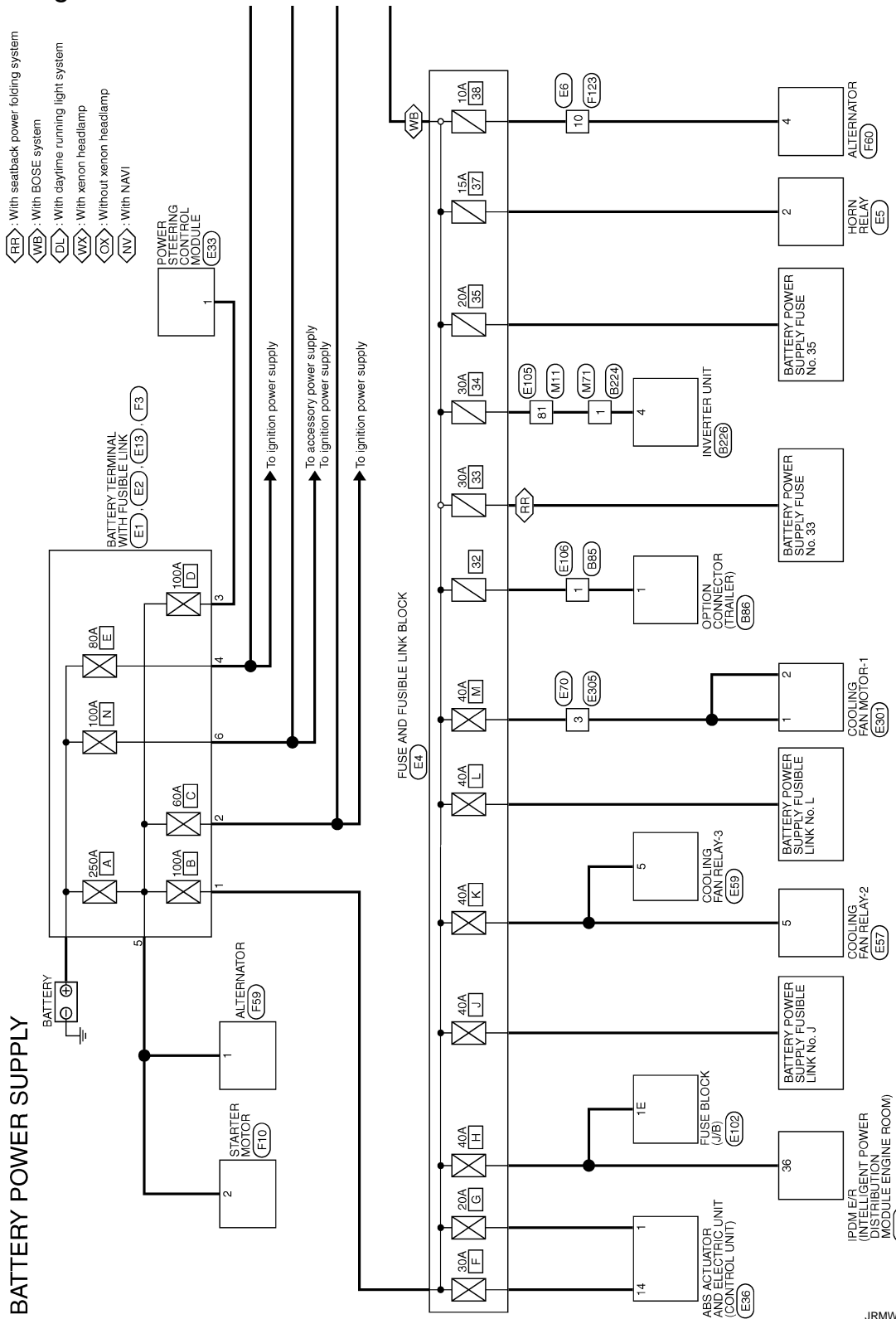
< WIRING DIAGRAM >

WIRING DIAGRAM

POWER SUPPLY ROUTING CIRCUIT

Wiring Diagram - BATTERY POWER SUPPLY -

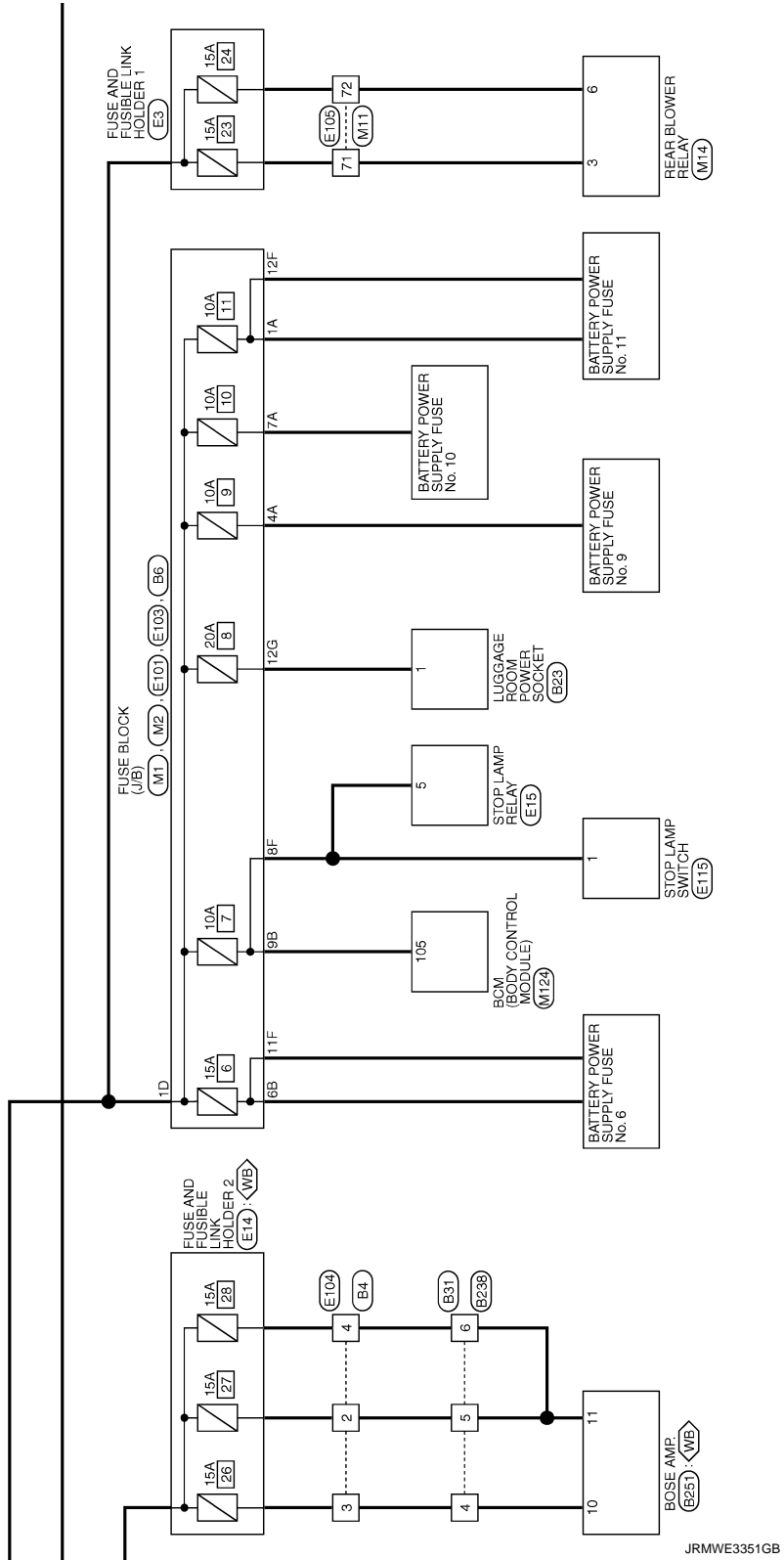
INFOID:000000009651746



A
B
C
D
E
F
G
H
I
J
K
L
PG
N
O
P

POWER SUPPLY ROUTING CIRCUIT

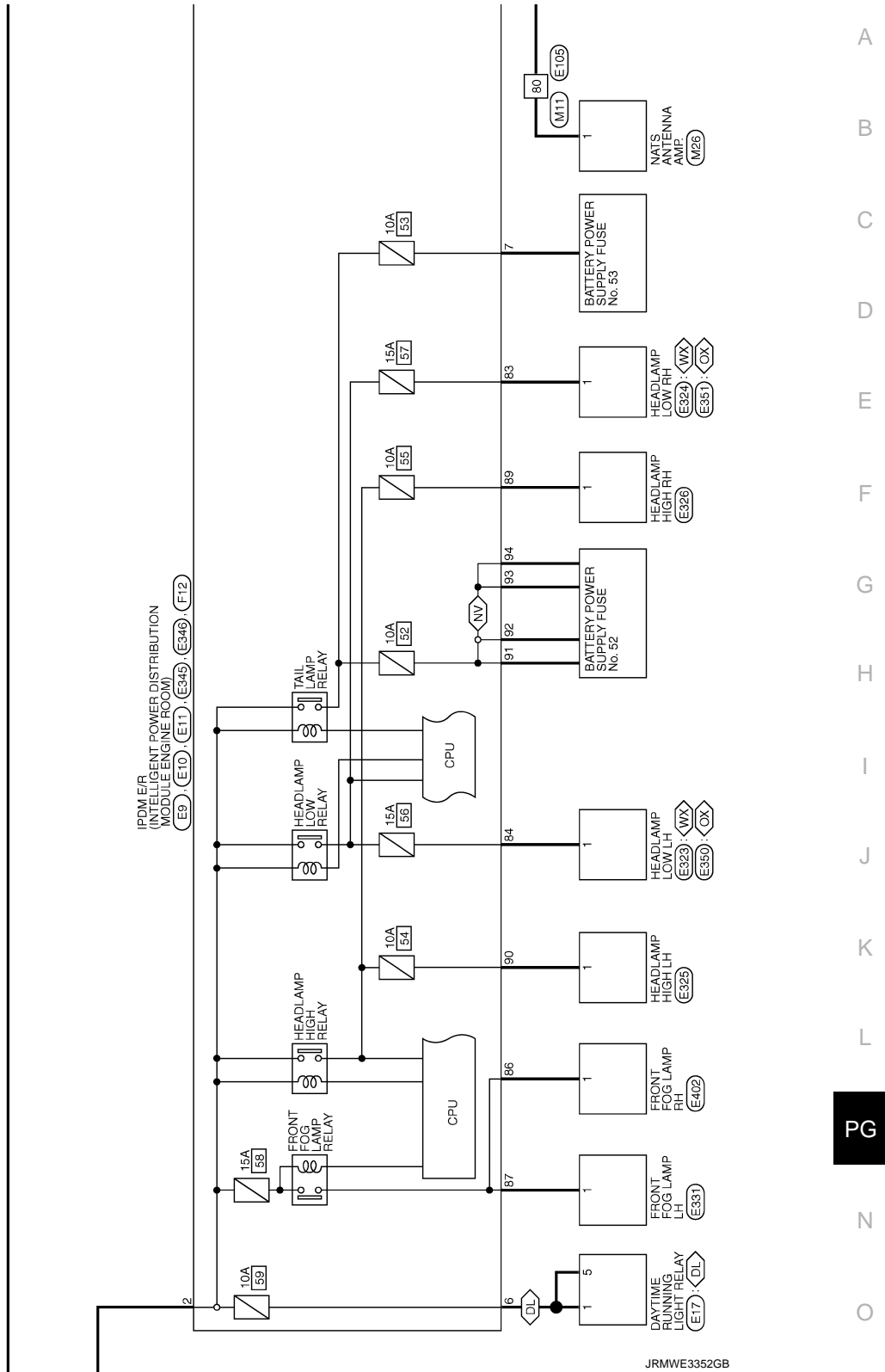
< WIRING DIAGRAM >



JRMWE3351GB

POWER SUPPLY ROUTING CIRCUIT

< WIRING DIAGRAM >

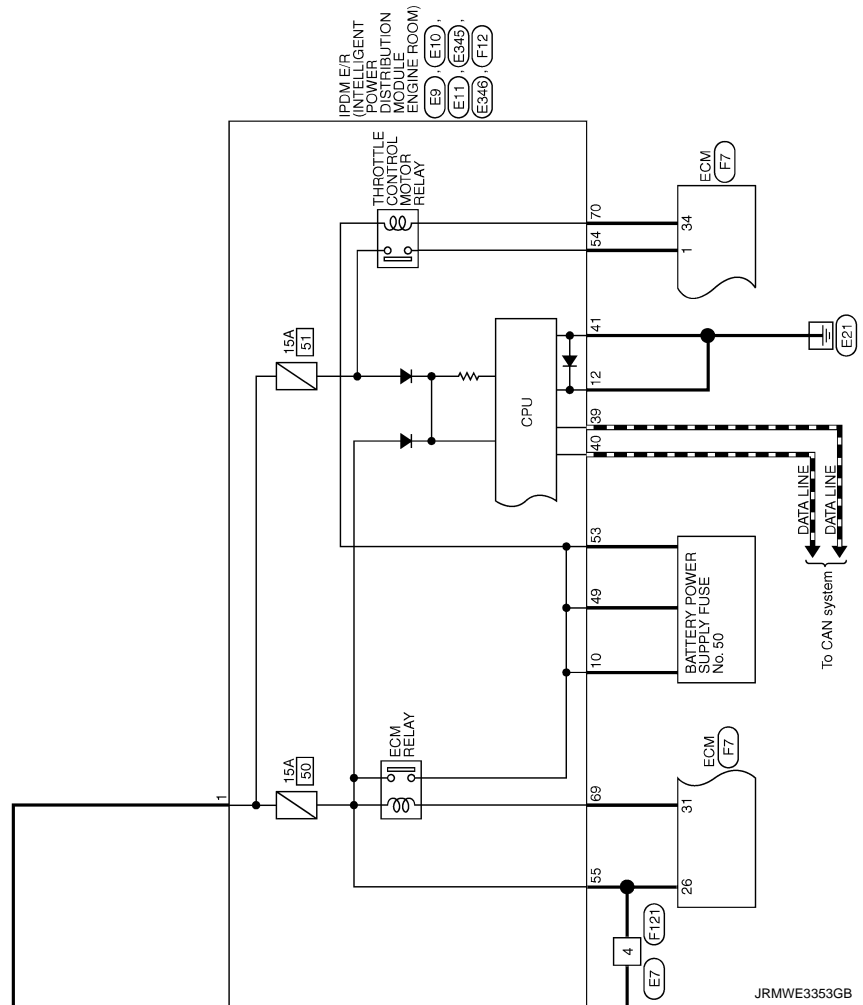


A
B
C
D
E
F
G
H
I
J
K
L
M
N
O
P

PG

POWER SUPPLY ROUTING CIRCUIT

< WIRING DIAGRAM >

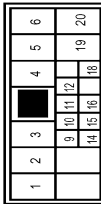


POWER SUPPLY ROUTING CIRCUIT

< WIRING DIAGRAM >

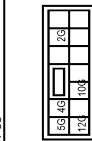
BATTERY POWER SUPPLY

Connector No.	B4
Connector Name	WIRE TO WIRE
Connector Type	MS12MM-CS10



Terminal No.	Color Of Wire	Signal Name [Specification]
1	BR	-
2	G	-
3	LG	-
4	P	-
5	W	-
6	R	-
9	R	-
10	L	-
11	V	-
12	P	-
14	LG	-
15	V	-
18	O	-
19	G	-
20	SB	-

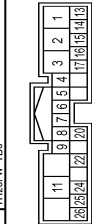
Connector No.	B6
Connector Name	FUSE BLOCK (J/B)
Connector Type	NS1ZFR-CS



Terminal No.	Color Of Wire	Signal Name [Specification]
10G	Y	-
12G	O	-
ZG	W	-

4G	SB	-
5G	L	-

Connector No.	B8
Connector Name	AUTOMATIC BACK DOOR CONTROL MODULE
Connector Type	TH20FW-TB6



Terminal No.	Color Of Wire	Signal Name [Specification]
1	SB	+B
2	R	LATCH MTR CLOSE
3	G	LATCH MTR OPEN
4	O	INSIDE CLOSE SW
5	GR	BUZZER
6	B/R	NAM-FUNC-FLG
7	W	+IGN
8	B/P	GROUND
9	LG	+B
11	B/R	GROUND
13	LG	TOUCH SENS RH
14	LG	TOUCH SENS LHD
15	BR	TOUCH SENS LH
16	L	DRIVER SW
17	Y	NAM SW
20	R	CLOSE SW
22	W	HALF LATCH SW
24	G	OPEN SW
25	P	CAN-L
26	L	CAN-H

Connector No.	B23
Connector Name	LUGGAGE ROOM POWER SOCKET
Connector Type	R20FB-Z



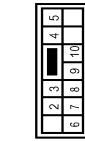
Terminal No.	Color Of Wire	Signal Name [Specification]
1	O	-
2	B/P	-

Connector No.	B27
Connector Name	AUTOMATIC SLIDING DOOR WARNING BUZZER LH
Connector Type	RK02FR



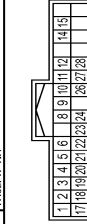
Terminal No.	Color Of Wire	Signal Name [Specification]
1	LG	-
2	W	-

Connector No.	B31
Connector Name	WIRE TO WIRE
Connector Type	MS12MM-CS



Terminal No.	Color Of Wire	Signal Name [Specification]
2	W	-
4	LG	-
5	O	-
6	P	-
7	G	-
8	R	-
9	P	-
10	V	-

Connector No.	B45
Connector Name	SLIDING DOOR CONTROL UNIT LH
Connector Type	TH32FW-MH



Terminal No.	Color Of Wire	Signal Name [Specification]
1	Y	MAIN SW
2	R	B-PLR SW
3	SB	ROBE LOCK
4	GR	A-SIGN
5	LG	HALF LATCH
6	W	BUZZER
8	W	CAN-L
10	L	CAN-H
11	O	ENCODER POWER

A
B
C
D
E
F
G
H
I
J
K
L
PG
N
O
P

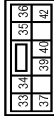
POWER SUPPLY ROUTING CIRCUIT

< WIRING DIAGRAM >

BATTERY POWER SUPPLY

12	G	ONTOUCH OPEN SW
13	GR	NEUTRAL SW
14	R	FUEL LID SW
17	G	FULL SW
18	L	DRIVER SW
19	P	CHILD LOCK
20	R	B-SIGN
21	BR	HANDLE
22	O	SW GND
23	B	TOUCH SENS
24	G	ENCODER GND
26	SB	GD LOGIC
27	B/Y	RF DOOR SW
28	V	

Connector No.	B46
Connector Name	SLIDING DOOR CONTROL UNIT LH
Connector Type	NS10FW-CS



Terminal No.	Color Of Wire	Signal Name [Specification]
33	B/Y	GNP POWER
34	GR	CLOSURE (CLGSE)
35	SB	CLOSURE (RET)
36	V	BAT
37	B/Y	GNP POWER
39	G	RELEASE ACTR->
40	Y	RELEASE ACTR->
42	V	BAT

Connector No.	B49
Connector Name	SATELLITE RADIO TUNER
Connector Type	A18FW



Terminal No.	Color Of Wire	Signal Name [Specification]
1	B	SATELLITE RADIO SOUND SIGNAL LH (-)
2	R	SATELLITE RADIO SOUND SIGNAL LH (+)
3	R	SATELLITE RADIO SOUND SIGNAL RH (-)
4	G	SATELLITE RADIO SOUND SIGNAL RH (+)
5	SHIELD	SHIELD
6	SHIELD	SHIELD
8	R/L	REQUEST (SAT-CONT)
9	B/R	COMM (SAT-CONT)
10	R/B	COMM (CONT-SAT)
12	LG	BATTERY
15	B	GROUND
18	O	ACC

Connector No.	B66
Connector Name	EVAP CANISTER VENT CONTROL VALVE
Connector Type	EG02B-RS



Terminal No.	Color Of Wire	Signal Name [Specification]
1	O	
2	SB	

Connector No.	B90
Connector Name	REAR COMBINATION LAMP LH
Connector Type	RS04GY-FR



Terminal No.	Color Of Wire	Signal Name [Specification]
1	SB	
2	B	
3	B	
4	BR	

Connector No.	B85
Connector Name	WIRE TO WIRE
Connector Type	MD1MM-GY-PS



Terminal No.	Color Of Wire	Signal Name [Specification]
1	O	

Connector No.	B88
Connector Name	OPTION CONNECTOR (TRAILER)
Connector Type	MD18W-LC



Terminal No.	Color Of Wire	Signal Name [Specification]
1	O	

Connector No.	B203
Connector Name	AUTOMATIC SLIDING DOOR WARNING BUZZER RH
Connector Type	RK02FBR



Terminal No.	Color Of Wire	Signal Name [Specification]
1	O	
2	BR	

Connector No.	B205
Connector Name	REAR COMBINATION LAMP RH
Connector Type	RS04GY-PR



JRMWE3355GB

POWER SUPPLY ROUTING CIRCUIT

< WIRING DIAGRAM >

BATTERY POWER SUPPLY

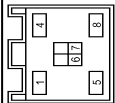
Terminal No.	Color Of Wire	Signal Name [Specification]
1	Y	AC 120 V OUTPUT
2	W	BAT
3	P	AC 120 V OUTPUT
4	V	MAIN SW/INVERTER
5	—	GROUND

Terminal No.	Color Of Wire	Signal Name [Specification]
1	Y	AC 120 V OUTPUT
2	W	BAT
3	P	AC 120 V OUTPUT
4	V	MAIN SW/INVERTER
5	—	GROUND



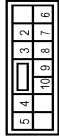
Terminal No.	Color Of Wire	Signal Name [Specification]
1	W	—
2	B	—

Terminal No.	Color Of Wire	Signal Name [Specification]
1	W	—
2	B	—



Terminal No.	Color Of Wire	Signal Name [Specification]
1	Y	AC 120 V OUTPUT
2	W	BAT
3	P	AC 120 V OUTPUT
4	V	MAIN SW/INVERTER
5	—	GROUND

Terminal No.	Color Of Wire	Signal Name [Specification]
1	Y	MAIN SW
2	BR	B-PLR SW
3	L	KNGB LOCK
4	GR	F-SIGN
5	GR	MAIN SW/INVERTER
6	BR	BULZER
7	P	CAN-H
8	L	CAN-H
9	G	ENCODER POWER
10	O	ELEC B



Terminal No.	Color Of Wire	Signal Name [Specification]
1	Y	MAIN SW
2	BR	B-PLR SW
3	L	KNGB LOCK
4	GR	F-SIGN
5	GR	MAIN SW/INVERTER
6	BR	BULZER
7	P	CAN-H
8	L	CAN-H
9	G	ENCODER POWER
10	O	ELEC B

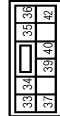
Terminal No.	Color Of Wire	Signal Name [Specification]
1	Y	MAIN SW
2	BR	B-PLR SW
3	L	KNGB LOCK
4	GR	F-SIGN
5	GR	MAIN SW/INVERTER
6	BR	BULZER
7	P	CAN-H
8	L	CAN-H
9	G	ENCODER POWER
10	O	ELEC B



Terminal No.	Color Of Wire	Signal Name [Specification]
1	Y	MAIN SW
2	BR	B-PLR SW
3	L	KNGB LOCK
4	GR	F-SIGN
5	GR	MAIN SW/INVERTER
6	BR	BULZER
7	P	CAN-H
8	L	CAN-H
9	G	ENCODER POWER
10	O	ELEC B

Terminal No.	Color Of Wire	Signal Name [Specification]
14	SB	ONE TOUCH OPEN SW
15	W	TRIP SW
16	W	FULL SW
17	GR	DRIVER SW
18	GR	DRIVER SW
19	GR	DRIVER SW
20	LG	CHILD LOCK
21	V	F-SIGN
22	Y	HANDLE
23	B	SW GND
24	G	TOUCH SENS
25	GR	ENCODER GND
26	GR	ENCODER GND
27	B/Y	GP LOGIC
28	W	RR DOOR SW

Terminal No.	Color Of Wire	Signal Name [Specification]
1	W	—
2	L	—
3	SB	—
4	—	—
5	LG	—
6	LG	—
7	G	—
8	R	—
9	Y	—
10	BR	—



Terminal No.	Color Of Wire	Signal Name [Specification]
33	B/R	GND POWER
34	C	GLG (UNDET)
35	C	GLG (UNDET)
36	Y	BAT
37	B/R	GND POWER
38	L	RELEASE ACTRC-
39	L	RELEASE ACTRC-
40	O	RELEASE ACTRC+
41	O	RELEASE ACTRC+
42	Y	BAT

Terminal No.	Color Of Wire	Signal Name [Specification]
1	W	—
2	—	—
3	—	—
4	—	—
5	—	—
6	—	—
7	B	—
8	G	—
9	P	—
10	SB	—
11	G	—
12	B	—
13	R	—
14	L	—



Terminal No.	Color Of Wire	Signal Name [Specification]
1	W	SOUND SIGNAL FRONT SPEAKER LH (+)
2	—	GROUND
3	—	SOUND SIGNAL FRONT SPEAKER RH (-)
4	—	GROUND
5	BR	SOUND SIGNAL Luggage SPEAKER RH (+)
6	—	GROUND
7	B	—
8	G	SOUND SIGNAL WOOFER (-)
9	P	SOUND SIGNAL SLIDE DOOR SPEAKER RH (-)
10	SB	BATTERY
11	G	BATTERY
12	B	GROUND
13	R	SOUND SIGNAL WOOFER (+)
14	L	SOUND SIGNAL SLIDE DOOR SPEAKER RH (+)

Terminal No.	Color Of Wire	Signal Name [Specification]
1	W	—
2	—	—
3	—	—
4	—	—
5	—	—
6	—	—
7	—	—
8	—	—
9	—	—
10	—	—
11	—	—
12	—	—
13	—	—
14	—	—

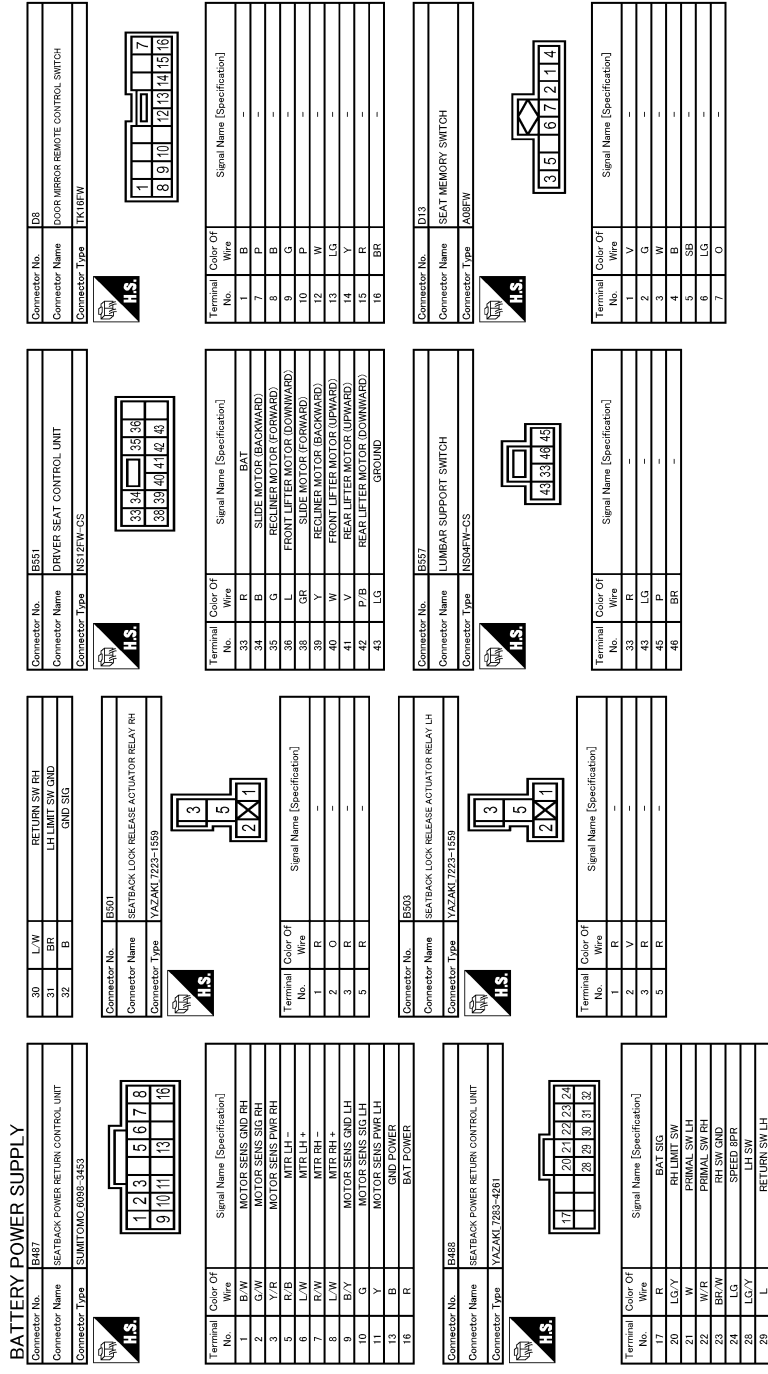


Terminal No.	Color Of Wire	Signal Name [Specification]
1	W	—
2	—	—
3	—	—
4	—	—
5	—	—
6	—	—
7	—	—
8	—	—
9	—	—
10	—	—
11	—	—
12	—	—
13	—	—
14	—	—

A
B
C
D
E
F
G
H
I
J
K
L
PG
N
O
P

POWER SUPPLY ROUTING CIRCUIT

< WIRING DIAGRAM >



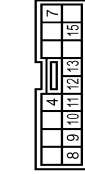
JRMWE3357GB

POWER SUPPLY ROUTING CIRCUIT

< WIRING DIAGRAM >

BATTERY POWER SUPPLY

Connector No.	D14
Connector Name	DOOR MIRROR REMOTE CONTROL SWITCH
Connector Type	TK02FBR



Terminal No.	Color Of Wire	Signal Name [Specification]
3	LG	-
9	B	-
10	BR	-
11	V	-
12	SB	-
13	R	-
15	W	-

Connector No.	D16Z
Connector Name	LICENSE PLATE LAMP LH
Connector Type	TK02FBR



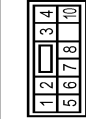
Terminal No.	Color Of Wire	Signal Name [Specification]
1	Y	-
2	B	-

Connector No.	D16S
Connector Name	LICENSE PLATE LAMP RH
Connector Type	TK02FBR



Terminal No.	Color Of Wire	Signal Name [Specification]
1	Y	-
2	B	-

Connector No.	D181
Connector Name	BACK DOOR CONTROL UNIT
Connector Type	NS10FW-GS



Terminal No.	Color Of Wire	Signal Name [Specification]
1	L	CLOSE
2	GR	HARF
3	G	+B
4	V	CLOSE
5	O	OPEN
6	BR	OPEN SW
7	B	DR LOCK STATUS
8	B/W	EARTH
10	G	OPEN

Connector No.	E1
Connector Name	BATTERY TERMINAL WITH FUSIBLE LINK
Connector Type	LO2FGV-MC



Terminal No.	Color Of Wire	Signal Name [Specification]
3	R	-
4	R	-

Connector No.	E2
Connector Name	BATTERY TERMINAL WITH FUSIBLE LINK
Connector Type	LO2FBR-MC-B



Terminal No.	Color Of Wire	Signal Name [Specification]
1	B	-
2	L	-

Connector No.	E3
Connector Name	FUSE AND FUSIBLE LINK HOLDER 1
Connector Type	2438B-1A10A



Terminal No.	Color Of Wire	Signal Name [Specification]
23	R	-
24	E	-

Connector No.	E4
Connector Name	FUSE AND FUSIBLE LINK BLOCK
Connector Type	2438T-7990A



Terminal No.	Color Of Wire	Signal Name [Specification]
33	LG	-
34	L	-
35	Y	-
37	SB	-
38	W	-
F	G	-
G	R	-
H	G	-
J	R	-
K	Y	-
L	LG	-
M	BR	-

A
B
C
D
E
F
G
H
I
J
K
L
N
O
P

PG

JRMWE3358GB

POWER SUPPLY ROUTING CIRCUIT

< WIRING DIAGRAM >

BATTERY POWER SUPPLY

Connector No.	E5
Connector Name	HORN RELAY
Connector Type	Relay,24381,2898A



Terminal No.	Color Of Wire	Signal Name [Specification]
1	SB	-
2	SB	-
3	P	-

Connector No.	E6
Connector Name	WIRE TO WIRE
Connector Type	TK18M07-LV



Terminal No.	Color Of Wire	Signal Name [Specification]
1	L	-
2	L	-
3	Y	-
4	LG	-
5	GR	-
6	V	-
7	G	-
8	P	-
10	W	-
11	G	-
12	SA	-
13	SB	-
14	B	-

Connector No.	E7
Connector Name	WIRE TO WIRE
Connector Type	INS10MW-CS



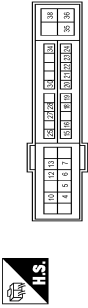
Terminal No.	Color Of Wire	Signal Name [Specification]
1	B	-
2	B	-
3	B	-
4	R	-
5	SB	-
6	B	-
7	W	-
10	B	-

Connector No.	E8
Connector Name	WIRE TO WIRE
Connector Type	LODFB-MC



Terminal No.	Color Of Wire	Signal Name [Specification]
1	R	-
2	L	-

Connector No.	E10
Connector Name	IPM 6 IN INTELLIGENT POWER DISTRIBUTION MODULE ENGINE ROOM
Connector Type	TH06FW-CSI2-M4-TV



Terminal No.	Color Of Wire	Signal Name [Specification]
1	LG	-
5	LG	-
6	G	-
7	BR	-
10	P	-
12	B	-
13	G	-
15	L	-
16	R	-
18	P	-
19	V	-
20	W	-
21	O	-
22	SB	-
23	GR	-
24	GR	-
25	GR	-
27	BR	-
28	G	-
30	LG	-
34	O	-
35	P	-
36	G	-
38	GR	-

Connector No.	E11
Connector Name	IPM 6 IN INTELLIGENT POWER DISTRIBUTION MODULE ENGINE ROOM
Connector Type	TH06FW-NH



Terminal No.	Color Of Wire	Signal Name [Specification]
18	P	-
40	L	-
41	B	-
42	SB	-
43	LG	-
44	W	-
45	Y	-
46	O	-

Connector No.	E13
Connector Name	BATTERY TERMINAL WITH FUSIBLE LINK
Connector Type	LODFB-MC



Terminal No.	Color Of Wire	Signal Name [Specification]
6	W	-

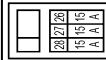
JRMWE3359GB

POWER SUPPLY ROUTING CIRCUIT

< WIRING DIAGRAM >

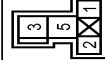
BATTERY POWER SUPPLY

Connector No.	E14
Connector Name	FUSE AND FUSIBLE LINK HOLDER 2
Connector Type	24389J,1A10A



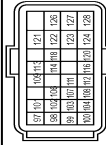
Terminal No.	Color Of Wire	Signal Name [Specification]
28	BR	-
27	GR	-
26	GR	-

Connector No.	E15
Connector Name	STOP LAMP RELAY
Connector Type	MS02FL-AMZ-LC



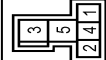
Terminal No.	Color Of Wire	Signal Name [Specification]
1	B/W	-
2	LG	-
3	R	-
5	P	-

Connector No.	E16
Connector Name	ECM
Connector Type	PR124E-GY-R29-L-LH



Terminal No.	Color Of Wire	Signal Name [Specification]
97	W	ACCELERATOR PEDAL POSITION SENSOR 1
98	P	ACCELERATOR PEDAL POSITION SENSOR 2
99	B	SENSOR POWER SUPPLY
100	B	SENSOR GROUND
101	Y	ASD, STEERING SWITCH
102	LG	EVAP CONTROL SYSTEM PRESSURE SENSOR
103	GR	SENSOR POWER SUPPLY
104	LG	DATA LINK CONNECTOR
106	V	EVAP CANISTER VENT CONTROL VALVE
107	W	SENSOR POWER SUPPLY
108	BR	SENSOR GROUND
109	G	IGNITION SWITCH
111	Y	FUEL TANK TEMPERATURE SENSOR
112	V	SENSOR GROUND
113	P	CAN COMMUNICATION LINE
114	G	CAN COMMUNICATION LINE
115	G	SENSOR GROUND
116	G	PMP signal
118	R	SENSOR GROUND
120	SB	SENSOR GROUND
121	L	POWER SUPPLY FOR ECM
122	SB	STOP LAMP SWITCH
123	B	ECM GROUND
124	B	ECM GROUND
126	BR	ASD BRAKE SWITCH
127	B	ECM GROUND
128	B	ECM GROUND

Connector No.	E17
Connector Name	DAYTIME RUNNING LIGHT RELAY
Connector Type	MS03FB-MZ-LG



Terminal No.	Color Of Wire	Signal Name [Specification]
1	G	-
2	EC	-
3	EC	-
4	B/W	-
5	G	-

Connector No.	E18
Connector Name	INTELLIGENT KEY WARNING BUZZER
Connector Type	IRK03FB



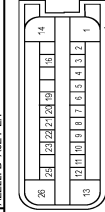
Terminal No.	Color Of Wire	Signal Name [Specification]
1	G	-
3	GR	-

Connector No.	E23
Connector Name	POWER STEERING CONTROL MODULE
Connector Type	MS04E-E205001941BL-ACK



Terminal No.	Color Of Wire	Signal Name [Specification]
1	R	BAT
2	B	GROUND

Connector No.	E26
Connector Name	ABS ACTUATOR AND ELECTRIC UNIT (CONTROL UNIT)
Connector Type	AE22ZF-B-AJZ4-LH

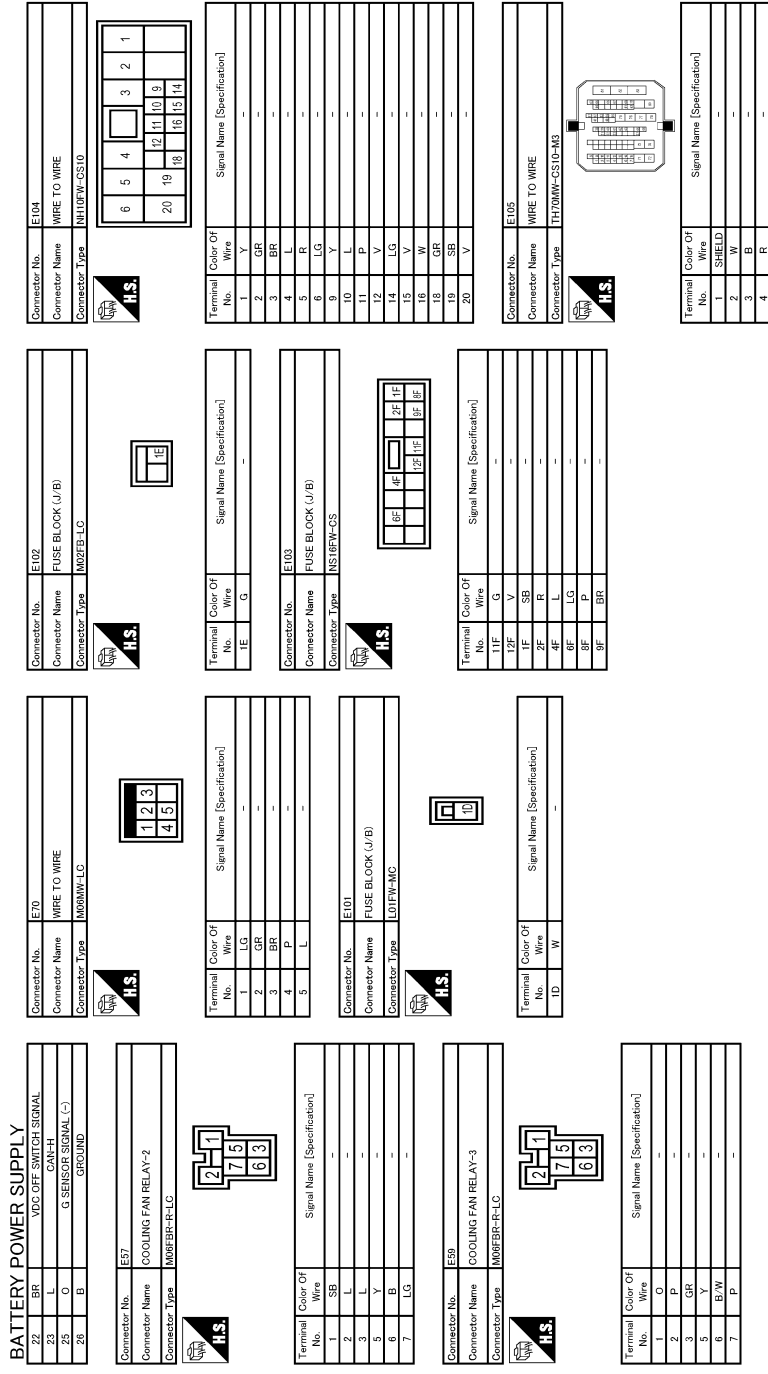


Terminal No.	Color Of Wire	Signal Name [Specification]
1	R	VALVE BATTERY
2	Y	RR LH WHEEL SENSOR SIGNAL
3	L	RR LH WHEEL SENSOR POWER SUPPLY
4	G	G SENSOR POWER SUPPLY
5	B	FR RH WHEEL SENSOR POWER SUPPLY
6	W	FR RH WHEEL SENSOR SIGNAL
7	R	BRAKE FLUID LEVEL SWITCH SIGNAL
8	LG	FR LH WHEEL SENSOR POWER SUPPLY
9	L	FR LH WHEEL SENSOR SIGNAL
10	B	G SENSOR GND
11	V	RR RH WHEEL SENSOR POWER SUPPLY
12	P	RR RH WHEEL SENSOR SIGNAL
13	B	RR RH WHEEL SENSOR POWER SUPPLY
14	G	MOTOR BATTERY
16	SB	STOP LAMP SWITCH SIGNAL
19	Y	G SENSOR SIGNAL (*)
20	GR	IGN
21	P	CAN-L

A
B
C
D
E
F
G
H
I
J
K
L
PG
N
O
P

POWER SUPPLY ROUTING CIRCUIT

< WIRING DIAGRAM >



JRMWE3361GB



POWER SUPPLY ROUTING CIRCUIT

< WIRING DIAGRAM >

BATTERY POWER SUPPLY


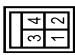
9	LG	-	-
8	CB	-	-
7	SB	-	-
6	SB	-	-
5	BR	-	-
4	Y	-	-
3	O	-	-
2	W	-	-
1	L	-	-
0	P	-	-
31	GR	-	-
32	R	-	-
33	W	-	-
37	BR	-	-
38	G	-	-
39	V	-	-
40	P	-	-
41	L	-	-
42	LG	-	-
43	G	-	-
45	GR	-	-
46	SB	-	-
47	V	-	-
49	L	-	-
51	BR	-	-
52	G	-	-
53	B	-	-
54	O	-	-
55	V	-	-
56	SHIELD	-	-
61	P	-	-
62	G	-	-
63	W/L	-	-
64	W/R	-	-
66	W	-	-
67	Y	-	-
69	SB	-	-
70	LG	-	-
71	R	-	-
72	L	-	-
73	GR	-	-
74	V	-	-
75	SB	-	-
76	P	-	-
77	G	-	-
78	O	-	-
80	R	-	-
81	L	-	-
82	LG	-	-
83	R	-	-

Connector No.	E106
Connector Name	WIRE TO WIRE
Connector Type	MM01FY-GY-LG

Terminal No.	1
Color Of Wire	P
Signal Name [Specification]	-

Connector No.	E105
Connector Name	STOP LAMP SWITCH
Connector Type	MM01FY-LC


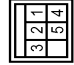
Terminal No.	1
Color Of Wire	P
Signal Name [Specification]	-
Terminal No.	2
Color Of Wire	LG
Signal Name [Specification]	-
Terminal No.	3
Color Of Wire	O
Signal Name [Specification]	-
Terminal No.	4
Color Of Wire	W
Signal Name [Specification]	-

Connector No.	E301
Connector Name	COOLING FAN MOTOR-1
Connector Type	RS04FGY-FR






Terminal No.	1
Color Of Wire	L
Signal Name [Specification]	-
Terminal No.	2
Color Of Wire	P
Signal Name [Specification]	-
Terminal No.	3
Color Of Wire	P
Signal Name [Specification]	-
Terminal No.	4
Color Of Wire	Y
Signal Name [Specification]	-

Connector No.	E305
Connector Name	WIRE TO WIRE
Connector Type	MM01FY-LC



Terminal No.	1
Color Of Wire	P
Signal Name [Specification]	-
Terminal No.	2
Color Of Wire	R
Signal Name [Specification]	-
Terminal No.	3
Color Of Wire	L
Signal Name [Specification]	-
Terminal No.	4
Color Of Wire	Y
Signal Name [Specification]	-
Terminal No.	5
Color Of Wire	G
Signal Name [Specification]	-

Connector No.	E220
Connector Name	FRONT SIDE MARKER LAMP LH
Connector Type	RK02FGY

Terminal No.	1
Color Of Wire	P
Signal Name [Specification]	-
Terminal No.	2
Color Of Wire	B
Signal Name [Specification]	-

Connector No.	E221
Connector Name	FRONT SIDE MARKER LAMP RH
Connector Type	RK02FGY

Terminal No.	1
Color Of Wire	LG
Signal Name [Specification]	-
Terminal No.	2
Color Of Wire	B
Signal Name [Specification]	-

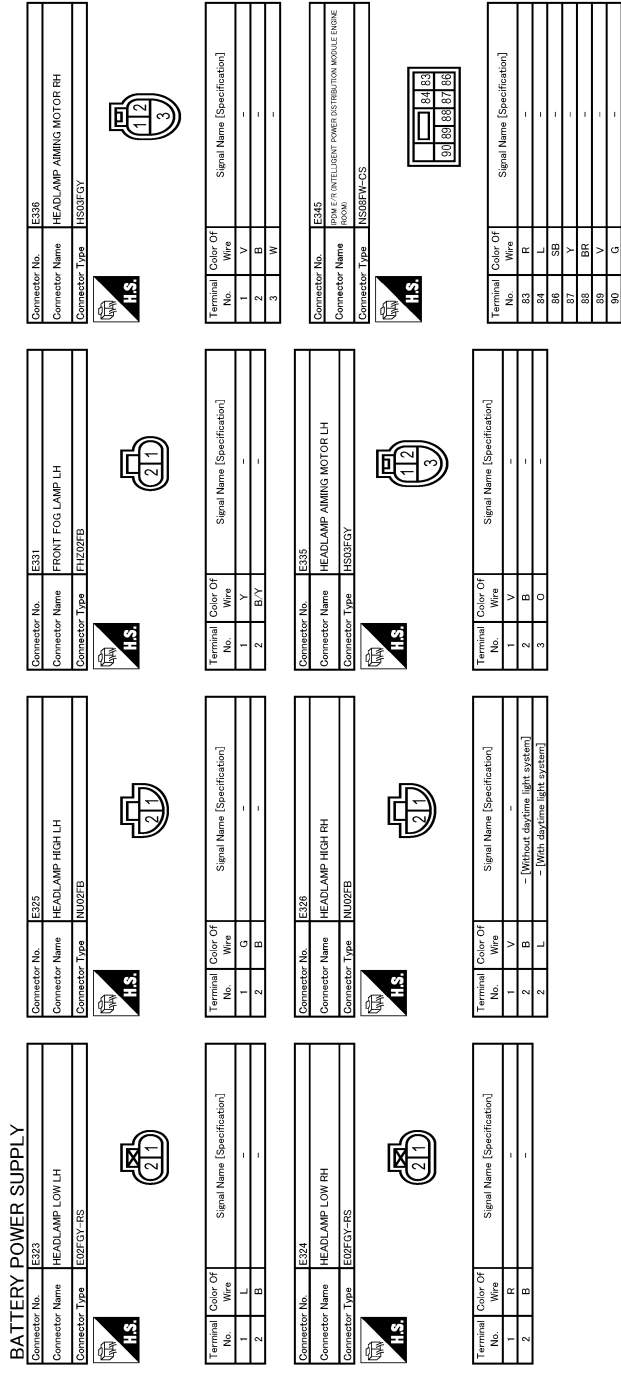
A
B
C
D
E
F
G
H
I
J
K
L
N
O
P

PG

JRMWE3362GB

POWER SUPPLY ROUTING CIRCUIT

< WIRING DIAGRAM >



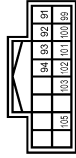
JRMWE3363GB

POWER SUPPLY ROUTING CIRCUIT

< WIRING DIAGRAM >

BATTERY POWER SUPPLY

Connector No.	E348
Connector Name	FRONT COMBINATION LAMP LH
Connector Type	Z03FBR



Terminal No.	Color Of Wire	Signal Name [Specification]
91	LG	-
92	P	-
93	W	-
94	G	-
99	Y	-
100	V	-
101	O	-
102	G	-
103	BR	-
105	R	-

Connector No.	E348
Connector Name	FRONT COMBINATION LAMP LH
Connector Type	Z03FBR



Terminal No.	Color Of Wire	Signal Name [Specification]
1	P	-
2	B	-
3	Y	-

Connector No.	E349
Connector Name	FRONT COMBINATION LAMP RH
Connector Type	Z03FBR



Terminal No.	Color Of Wire	Signal Name [Specification]
1	LG	-
2	R	-
3	SB	-

Connector No.	E350
Connector Name	HEADLAMP LOW LH
Connector Type	FHZ02FB



Terminal No.	Color Of Wire	Signal Name [Specification]
1	L	-
2	B	-

Connector No.	E351
Connector Name	HEADLAMP LOW RH
Connector Type	FHZ02FB



Terminal No.	Color Of Wire	Signal Name [Specification]
1	R	-
2	B	-

Connector No.	E402
Connector Name	FRONT FOG LAMP RH
Connector Type	FHZ02FB



Terminal No.	Color Of Wire	Signal Name [Specification]
1	SB	-
2	B	-

Connector No.	F3
Connector Name	BATTERY TERMINAL WITH FUSIBLE LINK
Connector Type	2134B_J040D



Terminal No.	Color Of Wire	Signal Name [Specification]
3	B/R	-

Connector No.	F4
Connector Name	MASS AIR FLOW SENSOR
Connector Type	RH06FB



Terminal No.	Color Of Wire	Signal Name [Specification]
1	G/B	-
2	L/Y	-
3	O	-
4	G/B	-
5	R/G	-

A
B
C
D
E
F
G
H
I
J
K
L
N
O
P

PG

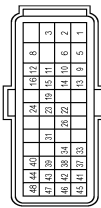
JRMWE3364GB

POWER SUPPLY ROUTING CIRCUIT

< WIRING DIAGRAM >

BATTERY POWER SUPPLY

Connector No.	F7
Connector Name	ECM
Connector Type	RH40FB-R2B-L-RH



Terminal No.	Color Of Wire	Signal Name [Specification]
1	W	THROTTLE CONTROL MOTOR POWER SUPPLY
2	P	THROTTLE CONTROL MOTOR (G/SEL)
3	SB	A/F SENSOR 1 HEATER (BANK 2)
5	L	THROTTLE CONTROL MOTOR (GREEN)
6	BR/Y	A/F SENSOR 1 HEATER (BANK 1)
8	L/B	STARTER MOTOR RELAY CUT OFF SIGNAL
9	G/R	IGNITION SIGNAL No. 3
10	G/R	IGNITION SIGNAL No. 2
11	Y/R	IGNITION SIGNAL No. 1
12	B	ECM GROUND
13	GR/R	IGNITION SIGNAL No. 6
14	P	IGNITION SIGNAL No. 5
15	W	IGNITION SIGNAL No. 4
16	BY	ECM GROUND
17	W	STARTER MOTOR
18	W	THROTTLE POSITION SENSOR 1
22	R	THROTTLE POSITION SENSOR 2
23	R	SENSOR POWER SUPPLY
24	G	POWER SUPPLY FOR ECM (BACK-UP)
26	W/L	EDM RELAY (SELF SHUT-OFF)
31	W/B	FUEL INJECTOR No. 1
33	R/B	FUEL INJECTOR No. 1
34	O	THROTTLE CONTROL MOTOR RELAY
37	P/B	HEATED OXYGEN SENSOR 2 HEATER (BANK 1)
38	BR/W	ELECTRONIC CONTROLLED FUEL INJECTOR CONTROL SOLENOID VALVE
39	V	WAS CONTROL SOLENOID VALVE 1
40	GR/B	WAS CONTROL SOLENOID VALVE 2
41	P/L	HEATED OXYGEN SENSOR 2 HEATER (BANK 2)
42	P/L	ECM-CONSUMER FUEL INJECTOR CONTROL SOLENOID VALVE
43	P	FUEL INJECTOR No. 1
44	P/W	FUEL INJECTOR No. 2
45	P/W	FUEL INJECTOR No. 2
46	L/W	FUEL INJECTOR No. 5
47	LG/R	FUEL INJECTOR No. 4
48	R/Y	FUEL INJECTOR No. 3

Connector No.	F10
Connector Name	STARTER MOTOR
Connector Type	2434D-JA86A



Terminal No.	Color Of Wire	Signal Name [Specification]
1	B/R	
2	B	

Connector No.	F12
Connector Name	IPOM (INTELLIGENT POWER DISTRIBUTION) MODULE ENGINE ROOM
Connector Type	TH20PW-CS12-M4



Terminal No.	Color Of Wire	Signal Name [Specification]
48	W	
49	R/B	
51	LG	
52	Y/G	
53	R/W	
54	G/W	
55	W/L	
56	R/Y	
57	O	
58	Y	
59	W/B	
60	Y	
61	P	
62	P	
63	P/B	
64	LG	
65	GR	
66	B	
67	B	
68	B	

Connector No.	F19
Connector Name	CONDENSER
Connector Type	M02FW-GY-L-C



Terminal No.	Color Of Wire	Signal Name [Specification]
1	W	
2	B	

Connector No.	F23
Connector Name	TKM (TRANSMISSION CONTROL) MODULE
Connector Type	RH40FB-R2B-L-RH



Terminal No.	Color Of Wire	Signal Name [Specification]
1	P/B	TRANSMISSION RANGE SWITCH 2
2	P/L	TRANSMISSION RANGE SWITCH 3
3	G/O	TRANSMISSION RANGE SWITCH 4
4	GR	TRANSMISSION RANGE SWITCH 3 (MONITOR)
5	B	GROUND
7	W	SENSOR GROUND
8	G/W	ROM ASSY (SEL 2)
9	L/R	ROM ASSY (SEL 1)
10	BR/R	ROM ASSY (SEL 3)
11	BR/W	TRANSMISSION RANGE SWITCH 1
12	GR	TRANSMISSION RANGE SWITCH 2
13	R/W	PRIMARY PRESSURE SENSOR
14	R/W	PRIMARY PRESSURE SENSOR
15	V/W	SECONDARY PRESSURE SENSOR
18	G/B	BACK-UP LAMP RELAY
20	R/B	STARTER RELAY
25	W/R	SENSOR GROUND
26	L/O	SENSOR POWER
27	R/G	STEP MOTOR D

28	B	STEP MOTOR C
29	O/B	STEP MOTOR B
30	G/R	STEP MOTOR A
31	P	CAN-L
32	L	CAN-H
33	LG	PRIMARY SPEED SENSOR
34	LG/R	SECONDARY SPEED SENSOR
37	V/R	LOCK-UP SELECT SOLENOID VALVE
38	L/W	TORQUE CONVERTER CLUTCH SOLENOID VALVE
39	W/B	SECONDARY PRESSURE SOLENOID VALVE
40	R/Y	LINE PRESSURE SOLENOID VALVE
42	B	GROUND
46	Y	IGNITION POWER SUPPLY
47	L/R	BATTERY POWER SUPPLY (MEMORY BACK-UP)
48	Y	IGNITION POWER SUPPLY

Connector No.	F30
Connector Name	SMP (STARTER/PURGE VOLUME CONTROL) SOLENOID VALVE
Connector Type	ED02FL-RS-LGY



Terminal No.	Color Of Wire	Signal Name [Specification]
1	R/Y	
2	P/L	

Connector No.	F31
Connector Name	IGNITION COIL No. 1 (WITH POWER TRANSISTOR)
Connector Type	ED03GY-RS



JRMWE3365GB

POWER SUPPLY ROUTING CIRCUIT

< WIRING DIAGRAM >

BATTERY POWER SUPPLY

Terminal No.	Color Of Wire	Signal Name [Specification]
1	Y/R	-
2	B	-
3	R/B	-

Connector No.	Connector Name	Connector Type
F32	IGNITION COIL No. 3 (WITH POWER TRANSISTOR)	EDBFQY-RS



Terminal No.	Color Of Wire	Signal Name [Specification]
1	G/R	-
2	B	-
3	R/B	-

Connector No.	Connector Name	Connector Type
F33	IGNITION COIL No. 3 (WITH POWER TRANSISTOR)	EDBFQY-RS



Terminal No.	Color Of Wire	Signal Name [Specification]
1	L/B	-
2	B	-
3	R/B	-

Connector No.	Connector Name	Connector Type
F34	IGNITION COIL No. 4 (WITH POWER TRANSISTOR)	EDBFQY-RS



Terminal No.	Color Of Wire	Signal Name [Specification]
1	W	-
2	B	-
3	R/B	-

Connector No.	Connector Name	Connector Type
F35	IGNITION COIL No. 5 (WITH POWER TRANSISTOR)	EDBFQY-RS



Terminal No.	Color Of Wire	Signal Name [Specification]
1	P	-
2	B	-
3	R/B	-

Connector No.	Connector Name	Connector Type
F36	IGNITION COIL No. 6 (WITH POWER TRANSISTOR)	EDBFQY-RS



Terminal No.	Color Of Wire	Signal Name [Specification]
1	G/R	-
2	B	-
3	R/B	-

Connector No.	Connector Name	Connector Type
F59	ALTERNATOR 2434D-JA09A	EDBFQY-RS



Terminal No.	Color Of Wire	Signal Name [Specification]
1	B/R	-
2	R/W	-
3	V	-

Connector No.	Connector Name	Connector Type
F60	ALTERNATOR	HS02FB



Terminal No.	Color Of Wire	Signal Name [Specification]
3	BR	-
4	RB	-
5	SB	-

Connector No.	Connector Name	Connector Type
F74	WAS CONTROL SOLENOID VALVE 1	ED2FB-RS



Terminal No.	Color Of Wire	Signal Name [Specification]
1	R/W	-
2	V	-

A
B
C
D
E
F
G
H
I
J
K
L
N
O
P

PG

JRMWE3366GB

POWER SUPPLY ROUTING CIRCUIT

< WIRING DIAGRAM >

BATTERY POWER SUPPLY

Connector No.	F75
Connector Name	VIAS CONTROL SOLENOID VALVE 2
Connector Type	ED2EB-RS



Terminal No.	Color Of Wire	Signal Name [Specification]
1	R	-
2	GR/B	-

Connector No.	F81
Connector Name	INTAKE VALVE TRING CONTROL SOLENOID VALVE (BANK 1)
Connector Type	ED2FC-RS-LGY



Terminal No.	Color Of Wire	Signal Name [Specification]
1	R	-
2	R/W	-

Connector No.	F82
Connector Name	INTAKE VALVE TRING CONTROL SOLENOID VALVE (BANK 2)
Connector Type	ED2FC-RS-LGY



Terminal No.	Color Of Wire	Signal Name [Specification]
1	R	-
2	R/W	-

Connector No.	F121
Connector Name	WIRE TO WIRE
Connector Type	NS1DFW-CS



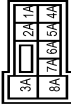
Terminal No.	Color Of Wire	Signal Name [Specification]
1	B/Y	-
2	R/Y	-
4	W/L	-
5	R/W	-
6	B	-
7	R/G	-
10	B	-

Connector No.	F123
Connector Name	WIRE TO WIRE
Connector Type	TK1BFGY-1V



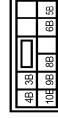
Terminal No.	Color Of Wire	Signal Name [Specification]
1	R	-
3	G/R	-
4	G/B	-
5	R	-
6	L/R	-
7	P	-
8	P	-
10	Y/B	-
11	BR/W	-
12	BR	-
13	G	-
14	B	-

Connector No.	M1
Connector Name	FUSE BLOCK (J/B)
Connector Type	NS2BFW-M2



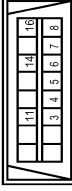
Terminal No.	Color Of Wire	Signal Name [Specification]
3A	L	-
7A	R	-
6A	V	-
5A	Y	-
4A	GR	-
3A	L	-
2A	G	-
1A	B	-
8A	L	-
7A	GR	-
6A	R	-
5A	V	-
4A	GR	-
3A	L	-
2A	G	-
1A	B	-

Connector No.	M2
Connector Name	FUSE BLOCK (J/B)
Connector Type	NS1DFW-CS



Terminal No.	Color Of Wire	Signal Name [Specification]
1B	R	-
3B	Y	-
4B	W	-
5B	BR	-
6B	O	-
8B	R/L	-
9B	GR	-

Connector No.	M4
Connector Name	DATA LINK CONNECTOR
Connector Type	BD1FW



Terminal No.	Color Of Wire	Signal Name [Specification]
3	LG	-
4	B/R	-
5	B/R	-
6	L	-
7	R	-
8	G	-
11	SB	-
14	P	-
16	O	-

POWER SUPPLY ROUTING CIRCUIT

< WIRING DIAGRAM >

BATTERY POWER SUPPLY

Connector No.	M5
Connector Name	VDC OFF SWITCH
Connector Type	TH08FB-M1



Terminal No.	Color Of Wire	Signal Name [Specification]
1	SB	-
2	B/L	-
3	B/L	-
4	B/R	-

Connector No.	M11
Connector Name	WIRE TO WIRE
Connector Type	TH10FW-CS10-M3



Terminal No.	Color Of Wire	Signal Name [Specification]
1	SHIELD	-
2	W	-
3	B	-
4	R	-
6	O	-
7	G	-
8	G	-
9	B	-
10	R	-
11	W	-
12	LG	-
13	Y	-
14	L	-
15	P	-
31	R	-
32	V	-

33	Y	-
34	BR	-
35	BR	-
36	Y	-
40	P	-
41	L	-
42	G	-
43	W	-
45	LG	-
46	V	-
47	LG	-
49	G	-
51	SB	-
52	GR	-
53	B	-
54	L	-
55	L	-
56	SHIELD	-
81	BR	-
82	LG	-
83	W/L	-
84	W/R	-
86	O	-
67	SB	-
69	Y	-
70	R	-
71	R	-
72	L	-
73	L	-
74	Y	-
75	G	-
76	G	-
77	P	-
78	W	-
80	Y	-
81	W	-
82	L	-
83	R	-

Connector No.	M13
Connector Name	HEADLAMP-AMMING SWITCH
Connector Type	A04FW



Terminal No.	Color Of Wire	Signal Name [Specification]
1	LG	-
2	B	-
3	B	-
4	B/R	-

Connector No.	M14
Connector Name	REAR BLOWER RELAY
Connector Type	M08FB-R-LC



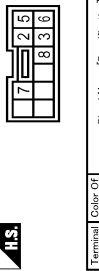
Terminal No.	Color Of Wire	Signal Name [Specification]
1	O	-
2	B/W	-
3	R	-
5	BR	-
6	L	-
7	Y	-

Connector No.	M15
Connector Name	GLOVE BOX LAMP
Connector Type	A02FW



Terminal No.	Color Of Wire	Signal Name [Specification]
1	P/L	-
2	B	-

Connector No.	M24
Connector Name	AC 120V OUTLET MAIN SWITCH
Connector Type	TK10FW

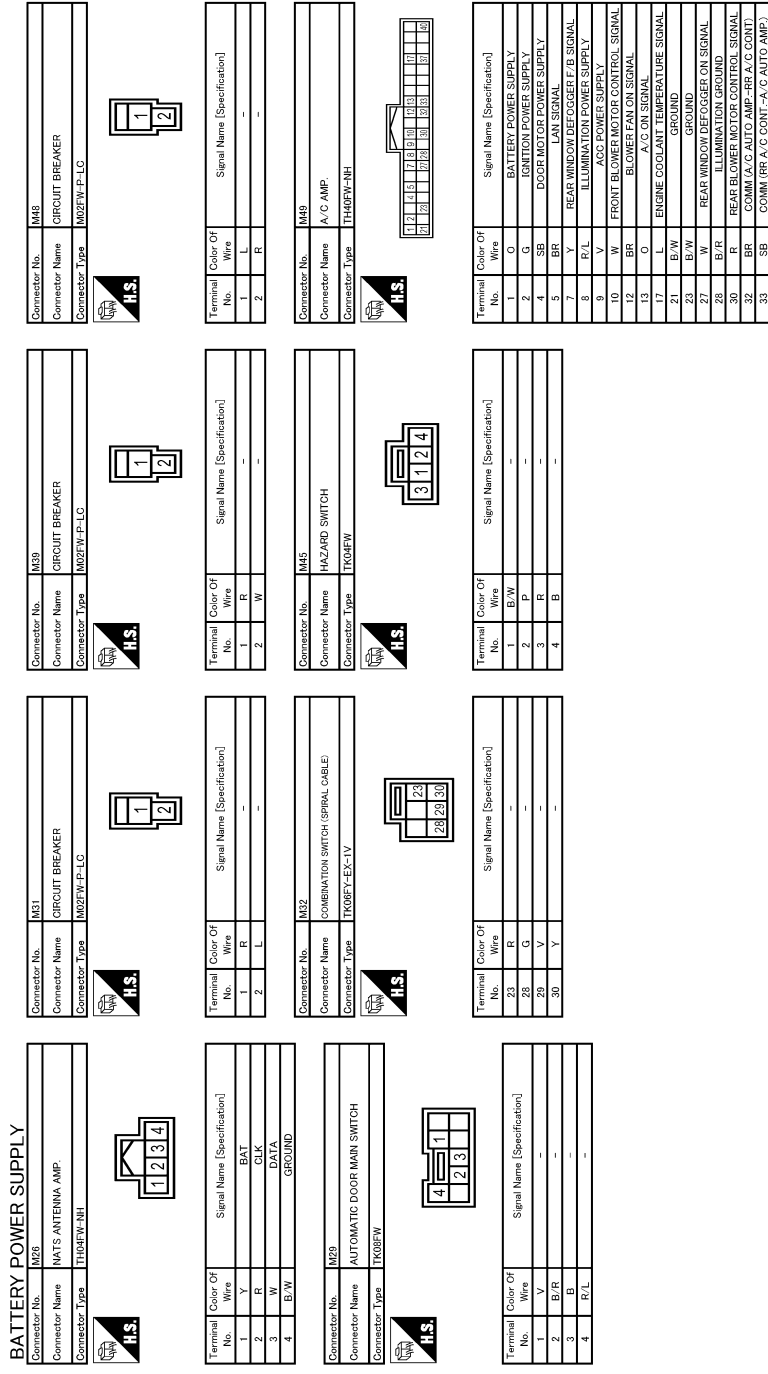


Terminal No.	Color Of Wire	Signal Name [Specification]
2	G	-
3	P	-
5	BR	-
6	B/R	-
7	R/L	-
8	B/R	-

A
B
C
D
E
F
G
H
I
J
K
L
PG
N
O
P

POWER SUPPLY ROUTING CIRCUIT

< WIRING DIAGRAM >



JRMWE3369GB

POWER SUPPLY ROUTING CIRCUIT

< WIRING DIAGRAM >

BATTERY POWER SUPPLY

37	GR	INTAKE SENSOR SIGNAL
40	Y	SENSOR GROUND

Connector No.	M50
Connector Name	A/C AUTO AMP
Connector Type	TH40FW-NH



Terminal No.	Color Of Wire	Signal Name [Specification]
1	O	BATTERY POWER SUPPLY
2	G	IGNITION POWER SUPPLY
4	SB	DOOR MOTOR POWER SUPPLY
5	BR	LAN SIGNAL
7	Y	REAR WINDOW DEFOGGER F/B SIGNAL
8	R/L	ILLUMINATION POWER SUPPLY
9	V	ACC POWER SUPPLY
10	W	FRONT BLOWER MOTOR CONTROL SIGNAL
12	BR	BLOWER FAN ON SIGNAL
13	G	A/C ON SIGNAL
15	GR	ENGINE ON/OFF CONTROL SIGNAL
16	GR	ENGINE ON/OFF CONTROL SIGNAL
17	L	ENGINE ON/OFF CONTROL SIGNAL
18	L	ENGINE ON/OFF CONTROL SIGNAL
19	O	FRONT IN-VEHICLE SENSOR SIGNAL
20	R	A/C AUTO AMP CONNECTION RECOGNITION SIGNAL
21	B/W	GROUND
23	B/W	GROUND
24	SB	VEHICLE SPEED SIGNAL
27	W	REAR WINDOW DEFOGGER ON SIGNAL
28	B/R	ILLUMINATION GROUND
30	R	REAR BLOWER MOTOR CONTROL SIGNAL
32	BR	COMM (A/C AUTO AMP-RR A/C CONT)
33	SB	COMM (RR A/C CONT-A/C AUTO AMP)
36	G	EXH GAS OUTSIDE DOOR DETECTING SENSOR SIGNAL
37	GR	INTAKE SENSOR SIGNAL
38	GR	REAR WIPER MOTOR CONTROL SIGNAL
39	LG	AIRBAG SENSOR SIGNAL
40	Y	SENSOR GROUND

Connector No.	M54
Connector Name	METER CONTROL SWITCH
Connector Type	TH08MW-NH



Terminal No.	Color Of Wire	Signal Name [Specification]
1	R/L	-
2	R/L	-
3	C	-
4	BR	-
5	SB	-
6	P	-

Connector No.	M55
Connector Name	ILLUMINATION CONTROL SWITCH
Connector Type	TH09MW-NH



Terminal No.	Color Of Wire	Signal Name [Specification]
1	R/L	-
2	B/R	-
3	Y	-
4	V	-
6	P	-

Connector No.	M60
Connector Name	BSW SWITCH
Connector Type	TH08EL-NH



Terminal No.	Color Of Wire	Signal Name [Specification]
1	BR	-
2	R/L	-
3	R/L	-
4	B/R	-
5	G	-
6	Y	-

Connector No.	M71
Connector Name	WIRE TO WIRE
Connector Type	M03FW-GY-LC



Terminal No.	Color Of Wire	Signal Name [Specification]
1	W	-
2	B	-

Connector No.	M83
Connector Name	AUTOMATIC BACK DOOR SWITCH
Connector Type	TH08FY-NH



Terminal No.	Color Of Wire	Signal Name [Specification]
1	Y	-
2	B	-
3	R/L	-
4	B/R	-

Connector No.	M85
Connector Name	CVT SHIFT SELECTOR ILLUMINATION
Connector Type	TK02FBR



Terminal No.	Color Of Wire	Signal Name [Specification]
1	B/R	-
2	R/L	-

JRMWE3370GB

A
B
C
D
E
F
G
H
I
J
K
L
N
O
P

PG

POWER SUPPLY ROUTING CIRCUIT

< WIRING DIAGRAM >

BATTERY POWER SUPPLY

Connector No.	M86
Connector Name	FOOT LAMP (DRIVER SIDE)
Connector Type	A02FW



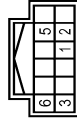
Terminal No.	Color Of Wire	Signal Name [Specification]
1	RG	
2	B	



Connector No.	M87
Connector Name	FOOT LAMP (PASSENGER SIDE)
Connector Type	A02FW

Terminal No.	Color Of Wire	Signal Name [Specification]
1	R	
2	B/Y	

Connector No.	M80
Connector Name	BLEND DOOR OPEN / CLOSE SWITCH (FRONT SIDE)
Connector Type	TH12FGV-MH



Terminal No.	Color Of Wire	Signal Name [Specification]
1	W	
2	W	
3	B	
4	B	
5	B/L	
6	B/R	



Connector No.	M81
Connector Name	SELECTIVE UNLOCK RELAY
Connector Type	MS03FB-MZ-LC

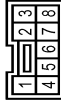
Terminal No.	Color Of Wire	Signal Name [Specification]
1	O	
2	V	
3	W	
4	B	
5	O	

Connector No.	M82
Connector Name	AUDIO UNIT
Connector Type	TH18FW-GSZ



Terminal No.	Color Of Wire	Signal Name [Specification]
1	C	SOUND SIGNAL FRONT SPEAKER LH (+)
2	C	SOUND SIGNAL FRONT SPEAKER LH (-)
3	V	SOUND SIGNAL FRONT SPEAKER RH (+)
4	V	SOUND SIGNAL FRONT SPEAKER RH (-)
5	LG	SOUND SIGNAL SLIDE DOOR SPEAKER LH (+)
6	R	STRG SW A
7	V	ACC
8	B/W	ILLUMINATION CONTROL SIGNAL (-)
9	R/W	ILLUMINATION CONTROL SIGNAL (+)
10	W	SOUND SIGNAL FRONT SPEAKER RH (+)
11	W	SOUND SIGNAL FRONT SPEAKER RH (-)
12	B	SOUND SIGNAL FRONT SPEAKER RH (+)
13	P	SOUND SIGNAL SLIDE DOOR SPEAKER RH (+)
14	L	SOUND SIGNAL SLIDE DOOR SPEAKER RH (-)
15	Y	STRG SW B
16	SB	STRG SW B
17	SP	VEHICLE SPEED (P-PULSE)
18	SP	BATTERY
19	B	GROUND

Connector No.	M101
Connector Name	PUSH-BUTTON IGNITION SWITCH
Connector Type	TK08FR



Terminal No.	Color Of Wire	Signal Name [Specification]
1	B/W	
2	G	
3	P	

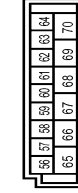
1	V	
5	SB	
6	GR	
7	Y	
8	O	

Connector No.	M104
Connector Name	AUTOMATIC DRIVE POSITIONER CONTROL UNIT
Connector Type	NS09FW-CS



Terminal No.	Color Of Wire	Signal Name [Specification]
25	R	BAT
30	B/W	GROUND

Connector No.	M123
Connector Name	BCM (BODY CONTROL MODULE)
Connector Type	FE408FH-FM4P-SA



Terminal No.	Color Of Wire	Signal Name [Specification]
56	P	INT ROOM LAMP PWR SPLY
57	GR	BAT
58	O	AIR BASK
59	SB	PASS DOOR LOCK OUTPUT
60	Y	TURAN SIG LH OUTPUT
61	G	TURAN SIG RH OUTPUT
62	W	STEP LAMP CONT
63	R	INT ROOM LAMP CONT
64	LG	CRANK REC
65	V	ALL DOOR LOCK OUTPUT
66	G	DR DOOR UNLK OUTPUT

POWER SUPPLY ROUTING CIRCUIT

< WIRING DIAGRAM >

BATTERY POWER SUPPLY

87	B	GROUND
88	L	PMW PWR SPLY (GSV)
89	P	PMW PWR SPLY (BAT)
90	L	BAT

Connector No.	M124
Connector Name	BCM (BODY CONTROL MODULE)
Connector Type	TH408FW-NH



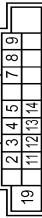
Terminal No.	Color Of Wire	Signal Name [Specification]
73	Y	ON IND
75	SB	DR DOOR REQ SW
76	V	PUSH SW
78	P	DR DOOR ANT+
79	V	DR DOOR ANT-
80	R	PASS DOOR ANT+
81	L	PASS DOOR ANT-
82	G	REAR BMR ANT+
83	P	REAR BMR ANT-
84	Y	ROOM ANT+
85	BR	ROOM ANT-
86	LG	ROOM ANT2+
87	V	ROOM ANT2-
88	W	LAGGAGE ROOM ANT+
89	B	LAGGAGE ROOM ANT-
90	P	PUSH-BTN IGN SW ILL PWR SPLY
91	SB	LOCK IND
92	G	PUSH-BTN IGN SW ILL GND
93	R	F-KEY WARN BUZZER
96	BR	ACC RELAY CONT OUTPUT
97	W	STARTER RELAY CONT
98	LG	IGN RELAY (JPDN E/F) CONT
99	GR	IGN RELAY (JPDN E/F) OUTPUT
100	BR	PASS DOOR RELAY SW
101	BR	IGN PWR SPLY 2
102	Y	P/M POSITION
104	L	CVT SHFT SELECT PWR SPLY
105	GR	STOP LAMP SW 2
106	O	BLWR RELAY CONT OUTPUT
109	GR	ACC IND

Connector No.	M138
Connector Name	TEL ADAPTER UNIT
Connector Type	TH327W-NH



Terminal No.	Color Of Wire	Signal Name [Specification]
1	Y	BATTERY
2	G	IGNITION
3	G	GROUND
4	B/W	MICROPHONE SIGNAL
7	W/L	MICROPHONE GND
8	SHIELD	MICROPHONE GND
9	B	SOUND SIGNAL (+)
10	W	SOUND SIGNAL (-)
11	W	SOUND SIGNAL (+)
12	G	STRG SW A
13	V	STRG SW B
14	GR	STRG SW GND
17	R	STRG SW A
18	SB	STRG SW B
19	Y	STRG SW GND
20	B/W	CONTROL SIGNAL
21	B/W	CONTROL SIGNAL
24	B/W	CONTROL SIGNAL
27	B/W	CONTROL SIGNAL
28	SB	VEHICLE SPEED (8-PULSE)
29	W/R	MICROPHONE VCC

Connector No.	M151
Connector Name	AUDIO UNIT
Connector Type	TH189W-SSZ



Terminal No.	Color Of Wire	Signal Name [Specification]
2	R	SOUND SIGNAL FRONT SPEAKER LH (+)
3	V	SOUND SIGNAL FRONT SPEAKER LH (-)
4	V	SOUND SIGNAL SLIDE DOOR SPEAKER LH (+)
5	LG	SOUND SIGNAL SLIDE DOOR SPEAKER LH (-)
7	V	ACC
8	B/W	ILLUMINATION CONTROL SIGNAL (-)
9	R/W	ILLUMINATION CONTROL SIGNAL (+)
11	W	SOUND SIGNAL FRONT SPEAKER RH (+)
12	B	SOUND SIGNAL FRONT SPEAKER RH (-)
13	P	SOUND SIGNAL SLIDE DOOR SPEAKER RH (+)
14	L	SOUND SIGNAL SLIDE DOOR SPEAKER RH (-)
19	Y	BATTERY

Connector No.	M153
Connector Name	DISC EJECT SWITCH
Connector Type	JAB84FB



Terminal No.	Color Of Wire	Signal Name [Specification]
1	V	-
2	W	-
3	W	-
4	BR	-

Connector No.	M154
Connector Name	MULTIFUNCTION SWITCH
Connector Type	TH189FW-NH



Terminal No.	Color Of Wire	Signal Name [Specification]
1	B	GROUND
3	O	ACC
4	V	ILL CONT
5	G	ILL CONT
6	SB	AV COMM (R)
8	LG	AV COMM (L)

Connector No.	M155
Connector Name	FRONT DISPLAY UNIT
Connector Type	TH24FW-NH



Terminal No.	Color Of Wire	Signal Name [Specification]
6	SHIELD	SHIELD
7	SHIELD	SHIELD
8	Y	CAMERA IMAGE SIGNAL
9	R	COMM (DISP-CONT)
10	G	COMM (CONT-DISP)
11	SB	BATTERY
12	B	GROUND
15	R	COMPOSITE IMAGE SIGNAL
16	W	COMPOSITE IMAGE SIGNAL GND
20	B	COMPOSITE SYNC
22	SHIELD	SHIELD
23	O	ACC

A
B
C
D
E
F
G
H
I
J
K
L
PG
N
O
P

POWER SUPPLY ROUTING CIRCUIT

< WIRING DIAGRAM >

BATTERY POWER SUPPLY

Connector No.	M171
Connector Name	AV CONTROL UNIT
Connector Type	TH18FW-CSZ



Terminal No.	Color Of Wire	Signal Name [Specification]
1	R	SOUND SIGNAL FRONT SPEAKER LH (+)
2	G	SOUND SIGNAL FRONT SPEAKER LH (-)
3	V	SOUND SIGNAL FRONT DOOR SPEAKER LH (+)
4	P	SOUND SIGNAL SLIDE DOOR SPEAKER LH (-)
5	L	STRG SW A
6	O	ACC
7	O	DIMMER SIGNAL
9	O	SOUND SIGNAL FRONT SPEAKER RH (+)
12	B	SOUND SIGNAL FRONT SPEAKER RH (-)
13	BR	SOUND SIGNAL SLIDE DOOR SPEAKER RH (+)
14	Y	SOUND SIGNAL SLIDE DOOR SPEAKER RH (-)
15	GR	STRG SW GND
18	P	STRG SW B
19	SB	BATTERY
20	B	GROUND



Connector No.	M176
Connector Name	AV CONTROL UNIT
Connector Type	TH18FW-CSZ

Terminal No.	Color Of Wire	Signal Name [Specification]
1	LG	AMP ON SIGNAL
2	R	SOUND SIGNAL FRONT LH (+)
3	G	SOUND SIGNAL FRONT LH (-)
4	B	SOUND SIGNAL REAR LH (+)
5	W	SOUND SIGNAL REAR LH (-)

Terminal No.	Color Of Wire	Signal Name [Specification]
6	L	STRG SW A
7	O	ACC
10	G	SHIELD
11	W	SOUND SIGNAL FRONT RH (+)
12	B	SOUND SIGNAL FRONT RH (-)
13	BR	SOUND SIGNAL REAR RH (+)
14	Y	SOUND SIGNAL REAR RH (-)
15	GR	STRG SW GND
16	P	STRG SW B
19	SB	BATTERY
20	B	GROUND

Connector No.	M212
Connector Name	HEATED SEAT SWITCH (PASSENGER SIDE)
Connector Type	INS06BR-CS



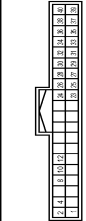
Terminal No.	Color Of Wire	Signal Name [Specification]
1	G	GROUND
2	Y	IGNITION SIGNAL
3	V	REVERSE SIGNAL
4	B/R	CAN-H
5	B/L	SHIELD
6	B/R	SHIELD

Connector No.	M213
Connector Name	HEATED SEAT SWITCH (DRIVER SIDE)
Connector Type	INS06FW-CS



Terminal No.	Color Of Wire	Signal Name [Specification]
1	G	GROUND
2	P	ILL+ (With manual A/C)
3	SB	ILL- (With manual A/C)
4	B/R	RX (With manual A/C)
5	R/L	RX (With auto A/C)
6	B/R	RX (With auto A/C)

Connector No.	M253
Connector Name	AROUND VIEW MONITOR CONTROL UNIT
Connector Type	TH10FW-HH



Terminal No.	Color Of Wire	Signal Name [Specification]
1	B	GND
2	Y	BATTERY
4	G	IGNITION SIGNAL
8	V	REVERSE SIGNAL
12	P	CAN-H
23	SHIELD	SHIELD
24	Y	CAMERA IMAGE SIGNAL
25	B	REAR CAMERA GND
26	R	REAR CAMERA POWER SUPPLY
27	SHIELD	SHIELD
28	W	REAR CAMERA IMAGE SIGNAL
29	B	SIDE CAMERA DRIVER SIDE GND
30	R	SIDE CAMERA DRIVER SIDE POWER SUPPLY
31	SHIELD	SHIELD
32	W	SIDE CAMERA DRIVER SIDE IMAGE SIGNAL
33	B	SIDE CAMERA PASSENGER SIDE GND
34	R	SIDE CAMERA PASSENGER SIDE POWER SUPPLY
35	SHIELD	SHIELD
37	W	SIDE CAMERA PASSENGER SIDE IMAGE SIGNAL
38	R	FRONT CAMERA GND
39	SHIELD	SHIELD
40	W	FRONT CAMERA IMAGE SIGNAL

Connector No.	R25
Connector Name	AUTO ANTI-DAZZLING INSIDE MIRROR
Connector Type	TH10FB-NH

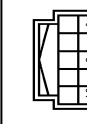
Terminal No.	Color Of Wire	Signal Name [Specification]
6	V	ILL+ (With manual A/C)
8	G	ILL- (With manual A/C)
10	B	ILL (With manual A/C)
12	G	IGN

Connector No.	R16
Connector Name	REAR A/C CONTROL
Connector Type	TH12FW-NH



Terminal No.	Color Of Wire	Signal Name [Specification]
1	B	GROUND A/C1
5	B	ILL+ (With manual A/C)
6	R/L	ILL- (With manual A/C)
9	BR/R	ILL
9	BR/R	RX (With manual A/C)
10	V	RX (With auto A/C)
10	BR	TX
12	G	IGN

Connector No.	R25
Connector Name	AUTO ANTI-DAZZLING INSIDE MIRROR
Connector Type	TH10FB-NH



Terminal No.	Color Of Wire	Signal Name [Specification]
6	V	ILL+ (With manual A/C)
8	G	ILL- (With manual A/C)
10	B	ILL (With manual A/C)
10	BR	TX
12	G	IGN

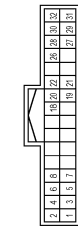
JRMWE3373GB

POWER SUPPLY ROUTING CIRCUIT

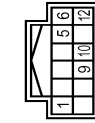
< WIRING DIAGRAM >

BATTERY POWER SUPPLY

Connector No.	RB3
Connector Name	REAR DISPLAY UNIT
Connector Type	TH132FW-NH



Connector No.	RI01
Connector Name	REAR A/C CONTROL
Connector Type	TH12FW-NH



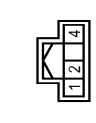
Connector No.	RI09
Connector Name	MAP LAMP
Connector Type	TK08CY



Terminal No.	Color Of Wire	Signal Name [Specification]
1	W/L	HEADPHONE SOUND SIGNAL RH (-)
2	O	HEADPHONE SOUND SIGNAL RH (+)
3	Y	HEADPHONE SOUND SIGNAL LH (-)
4	BR	HEADPHONE SOUND SIGNAL LH (+)
5	SHIELD	SHIELD
6	SHIELD	SHIELD
7	L/G	COMPOSITE IMAGE SIGNAL
8	L/R	COMPOSITE IMAGE SIGNAL GND
18	SHIELD	SHIELD
19	R	AV COMM (L)
20	Y	AV COMM (L)
21	G	AV COMM (H)
22	BR	AV COMM (H)
26	LG	IGN
27	SB	ILL
28	Y	AD
29	P	BAT
31	B	GROUND
32	B	GROUND

Terminal No.	Color Of Wire	Signal Name [Specification]
1	B	GROUND
2	B	ILL
3	B	ILL
4	LG	RX
5	SB	TX
6	P	IGN

Connector No.	RI08
Connector Name	REMOTE KEYLESS ENTRY RECEIVER
Connector Type	TH10FW-NH



Terminal No.	Color Of Wire	Signal Name [Specification]
1	BR	BAT
2	W	SIGNAL
4	O	GROUND

A
B
C
D
E
F
G
H
I
J
K
L
N
O
P

PG

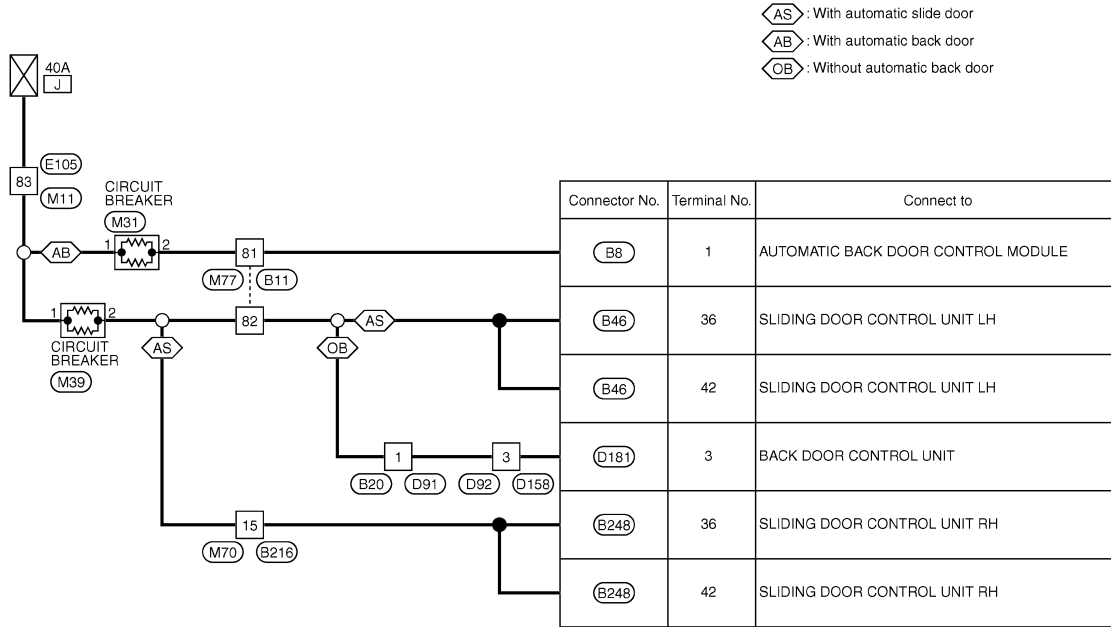
JRMWE3374GB

POWER SUPPLY ROUTING CIRCUIT

< WIRING DIAGRAM >

Wiring Diagram - BATTERY POWER SUPPLY FUSIBLE LINK No. J - BATTERY POWER SUPPLY FUSIBLE LINK No. J

INFOID:000000009651747



2010/12/13

JCMWA7697GB

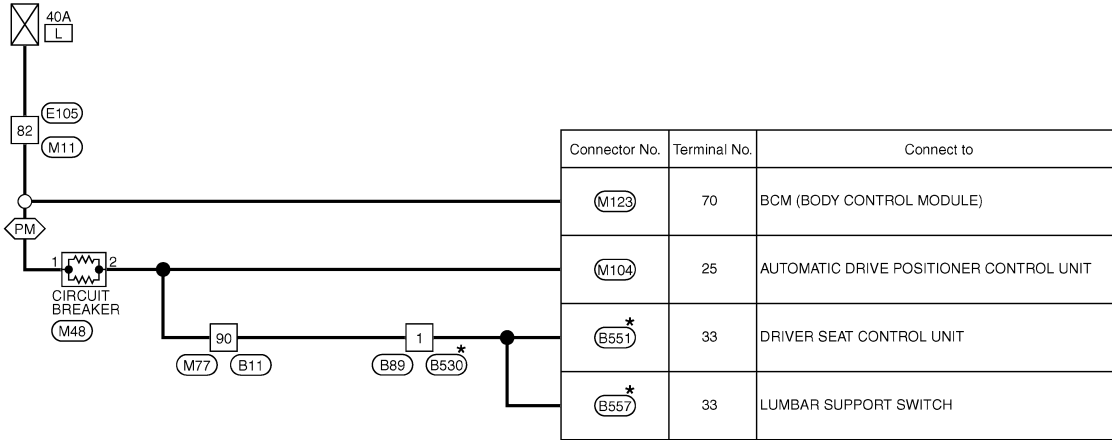
POWER SUPPLY ROUTING CIRCUIT

< WIRING DIAGRAM >

Wiring Diagram - BATTERY POWER SUPPLY FUSIBLE LINK No. L - BATTERY POWER SUPPLY FUSIBLE LINK No. L

INFOID:000000009651748

◀PM▶ : With automatic drive positioner



* : This connector is not shown in "Harness Layout".

2010/12/13

JCMWA7701GB

A
B
C
D
E
F
G
H
I
J
K
L
PG
N
O
P

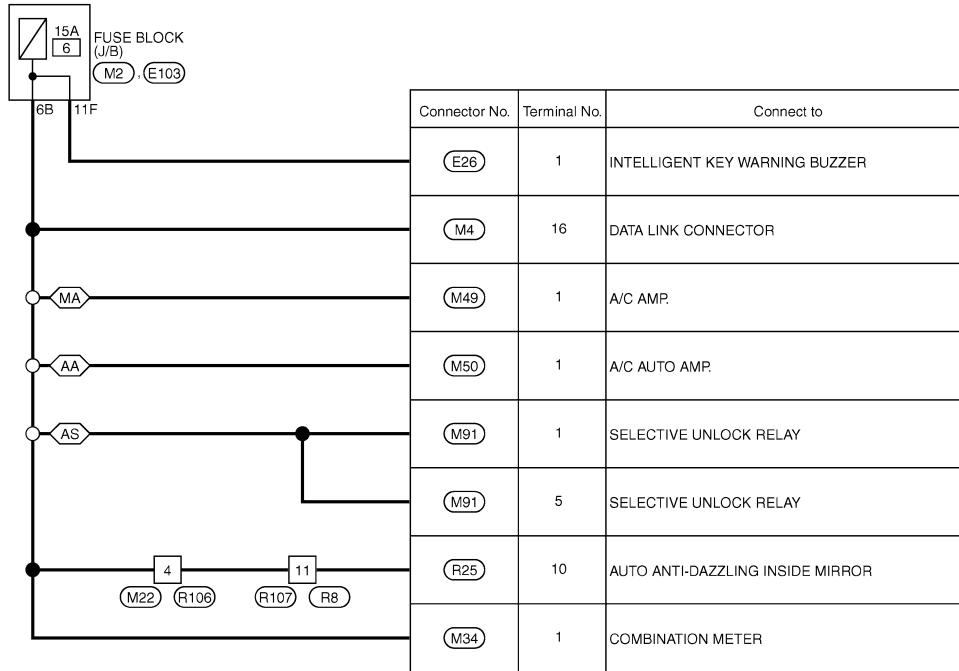
POWER SUPPLY ROUTING CIRCUIT

< WIRING DIAGRAM >

Wiring Diagram - BATTERY POWER SUPPLY FUSE No. 6 - BATTERY POWER SUPPLY FUSE No. 6

INFOID:000000009651749

- AS : With automatic slide door
- AA : With auto A/C
- MA : With manual A/C



2013/07/10

JRMWE3375GB

POWER SUPPLY ROUTING CIRCUIT

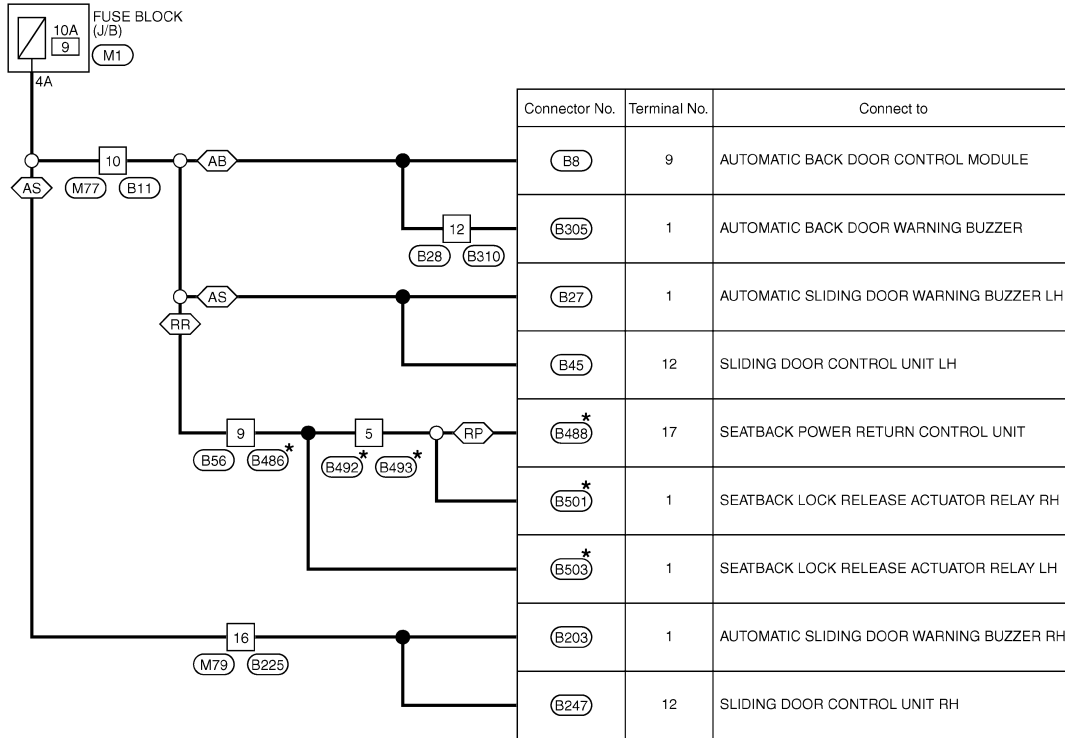
< WIRING DIAGRAM >

Wiring Diagram - BATTERY POWER SUPPLY FUSE No. 9 -

INFOID:000000009651750

BATTERY POWER SUPPLY FUSE No. 9

- ⬠RP⬠ : With seatback power return system
- ⬠RR⬠ : With seatback power folding system
- ⬠AS⬠ : With automatic slide door
- ⬠AB⬠ : With automatic back door



* : This connector is not shown in "Harness Layout".

2010/12/13

JCMWA7708GB

A
B
C
D
E
F
G
H
I
J
K
L
N
O
P


PG

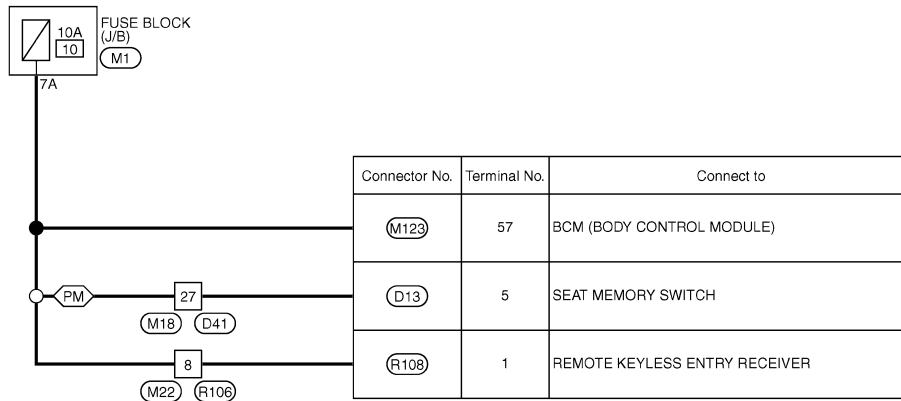
POWER SUPPLY ROUTING CIRCUIT

< WIRING DIAGRAM >

Wiring Diagram - BATTERY POWER SUPPLY FUSE No. 10 - BATTERY POWER SUPPLY FUSE No. 10

INFOID:000000009651751

 : With automatic drive positioner



2010/12/13

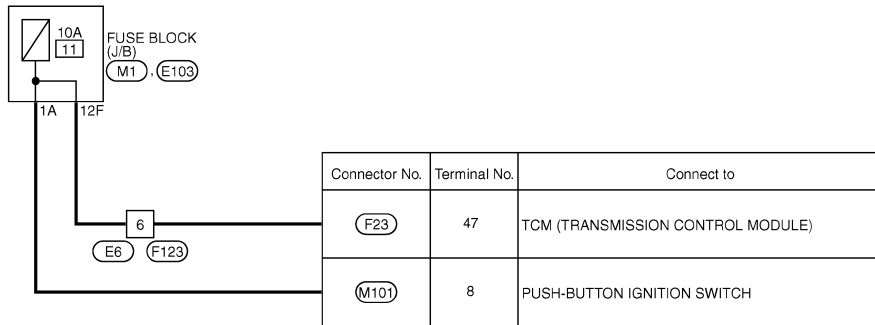
JCMWA7713GB

POWER SUPPLY ROUTING CIRCUIT

< WIRING DIAGRAM >

Wiring Diagram - BATTERY POWER SUPPLY FUSE No. 11 - BATTERY POWER SUPPLY FUSE No. 11

INFOID:000000009651752



A
B
C
D
E
F
G
H
I
J
K
L
PG
N
O
P

2013/07/10

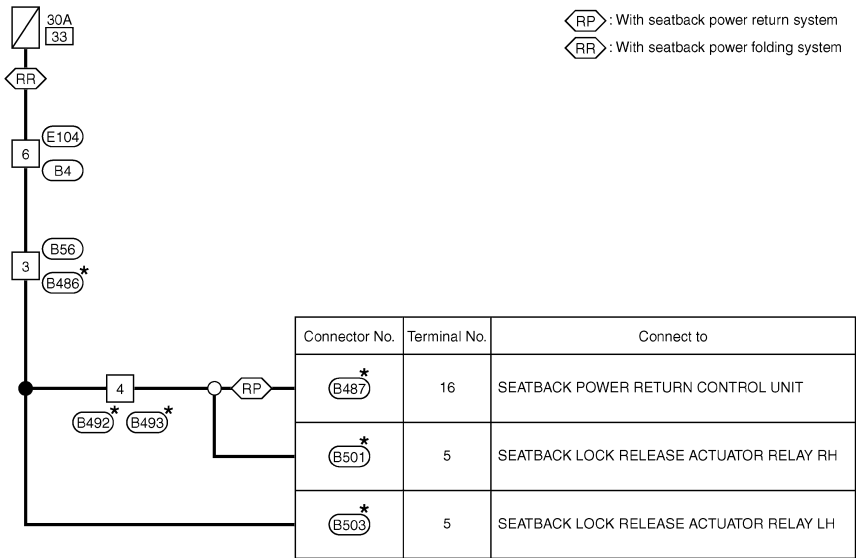
JRMWE3376GB

POWER SUPPLY ROUTING CIRCUIT

< WIRING DIAGRAM >

Wiring Diagram - BATTERY POWER SUPPLY FUSE No. 33 - BATTERY POWER SUPPLY FUSE No. 33

INFOID:000000009651753



* : This connector is not shown in "Harness Layout".

2010/12/13

JCMWA7719GB

POWER SUPPLY ROUTING CIRCUIT

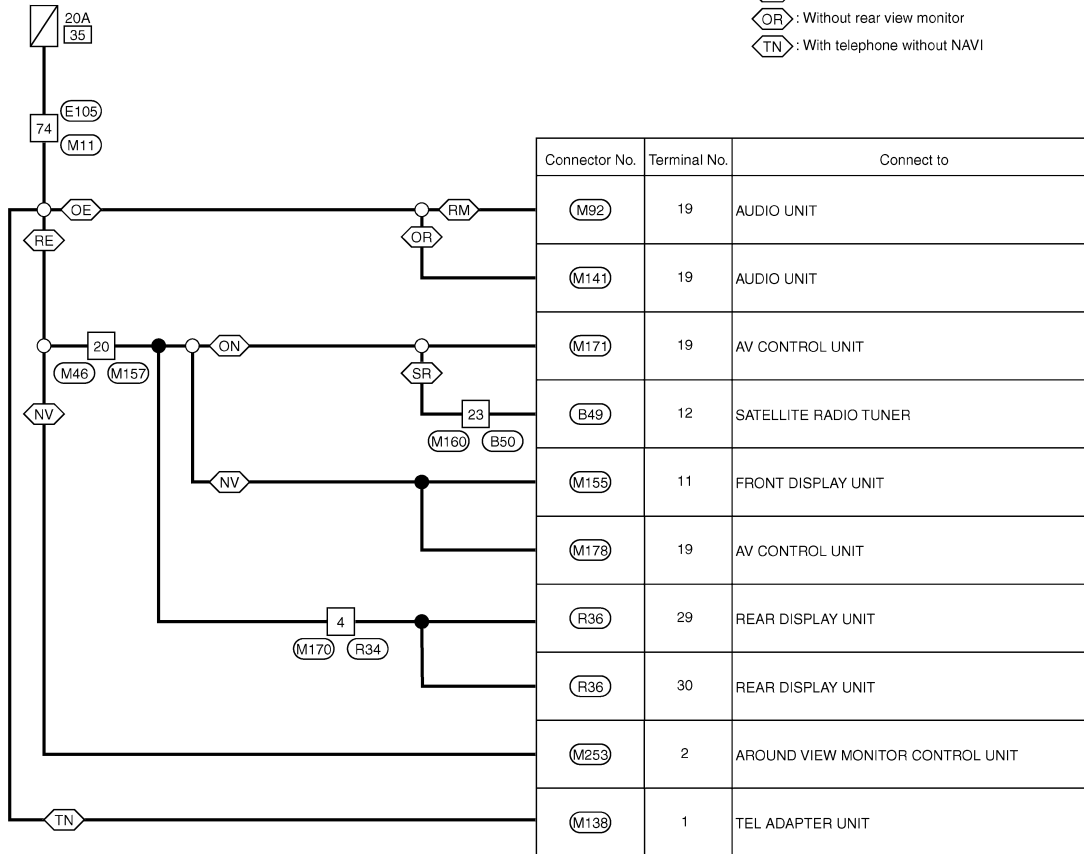
< WIRING DIAGRAM >

Wiring Diagram - BATTERY POWER SUPPLY FUSE No. 35 -

INFOID:000000009651754

BATTERY POWER SUPPLY FUSE No. 35

- ◊SR◊ : With satellite radio
- ◊NV◊ : With NAVI
- ◊ON◊ : Without NAVI
- ◊RE◊ : With rear entertainment
- ◊OE◊ : Without rear entertainment
- ◊RM◊ : With rear view monitor
- ◊OR◊ : Without rear view monitor
- ◊TN◊ : With telephone without NAVI



2013/07/10

JRMWE3377GB

A
B
C
D
E
F
G
H
I
J
K
L
N
O
P

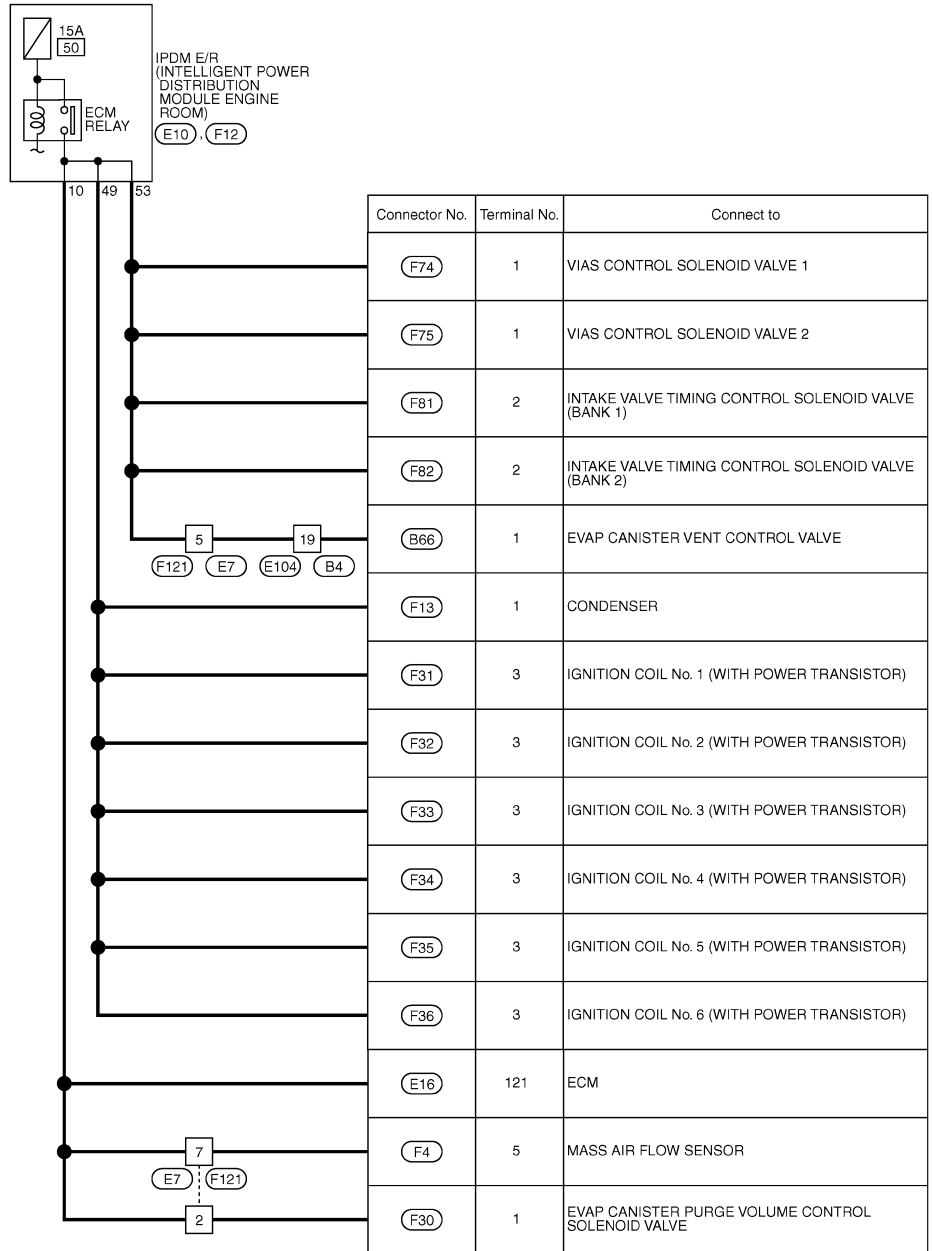
PG

POWER SUPPLY ROUTING CIRCUIT

< WIRING DIAGRAM >

Wiring Diagram - BATTERY POWER SUPPLY FUSE No. 50 - BATTERY POWER SUPPLY FUSE No. 50

INFOID:000000009651755



2010/12/13


JCMWA7727GB

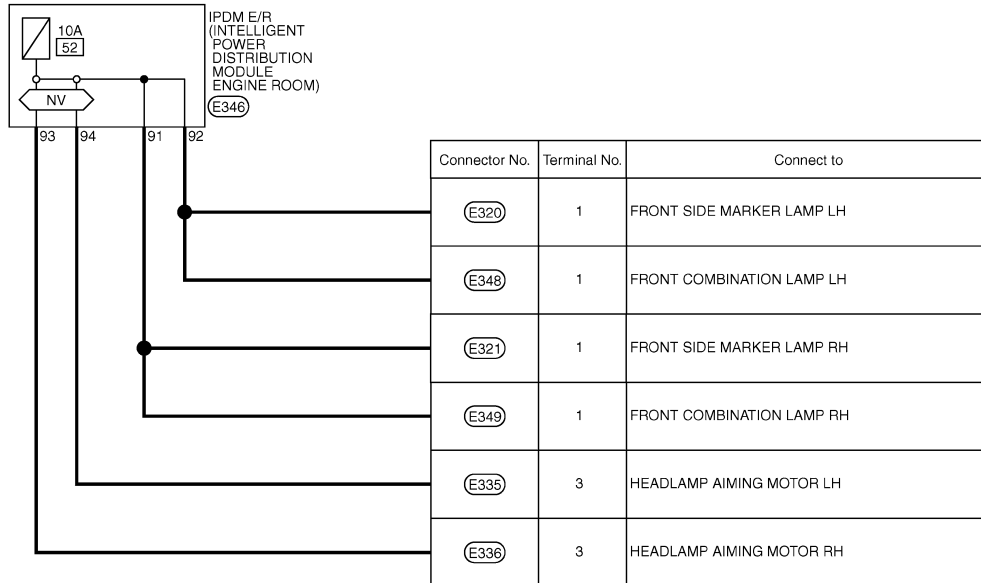
POWER SUPPLY ROUTING CIRCUIT

< WIRING DIAGRAM >

Wiring Diagram - BATTERY POWER SUPPLY FUSE No. 52 - BATTERY POWER SUPPLY FUSE No. 52

INFOID:000000009651756

 : With NAVI



A
B
C
D
E
F
G
H
I
J
K
L
N
O
P

PG

2010/12/13

JCMWA7731GB

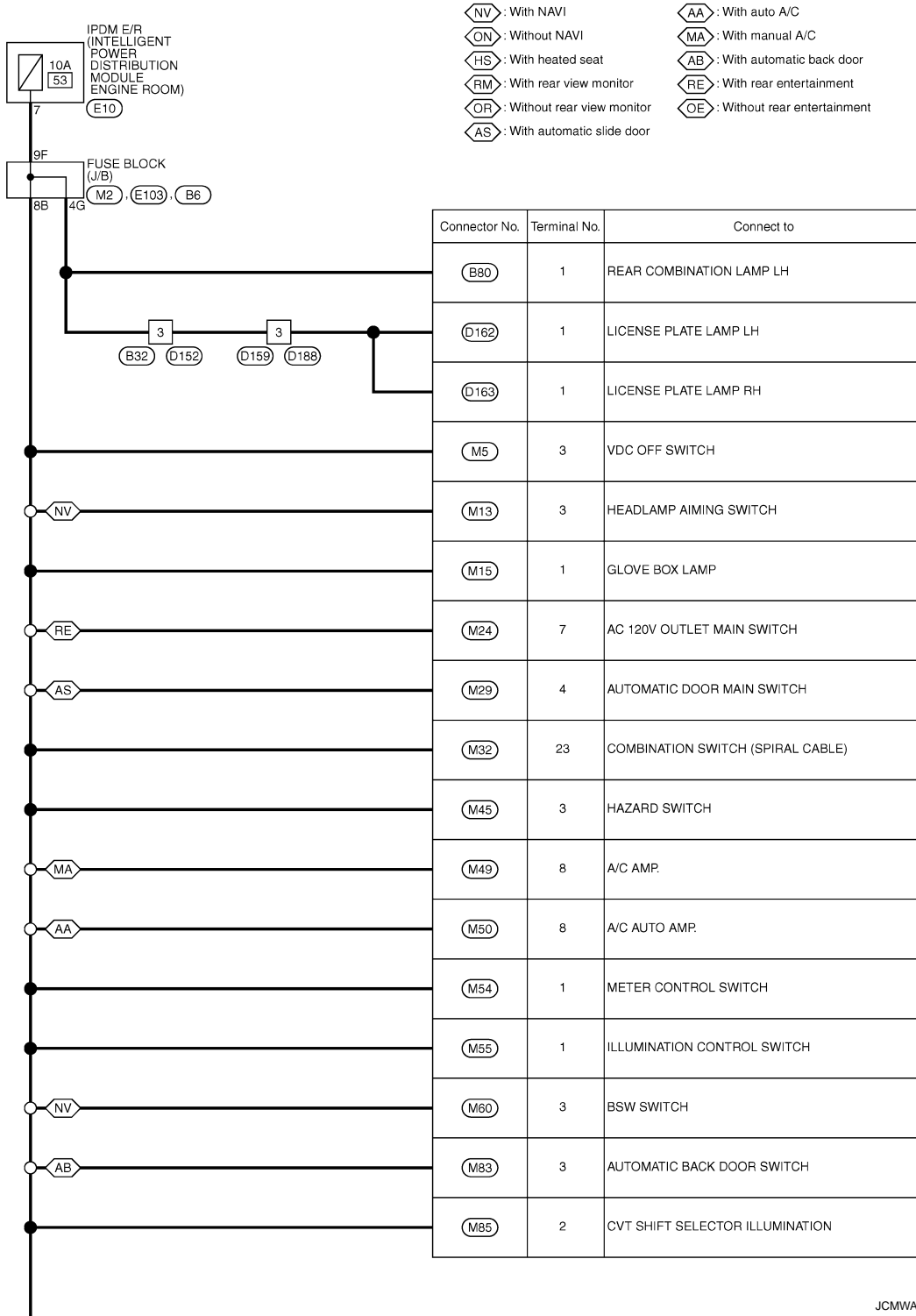
POWER SUPPLY ROUTING CIRCUIT

< WIRING DIAGRAM >

Wiring Diagram - BATTERY POWER SUPPLY FUSE No. 53 -

INFOID:000000009651757

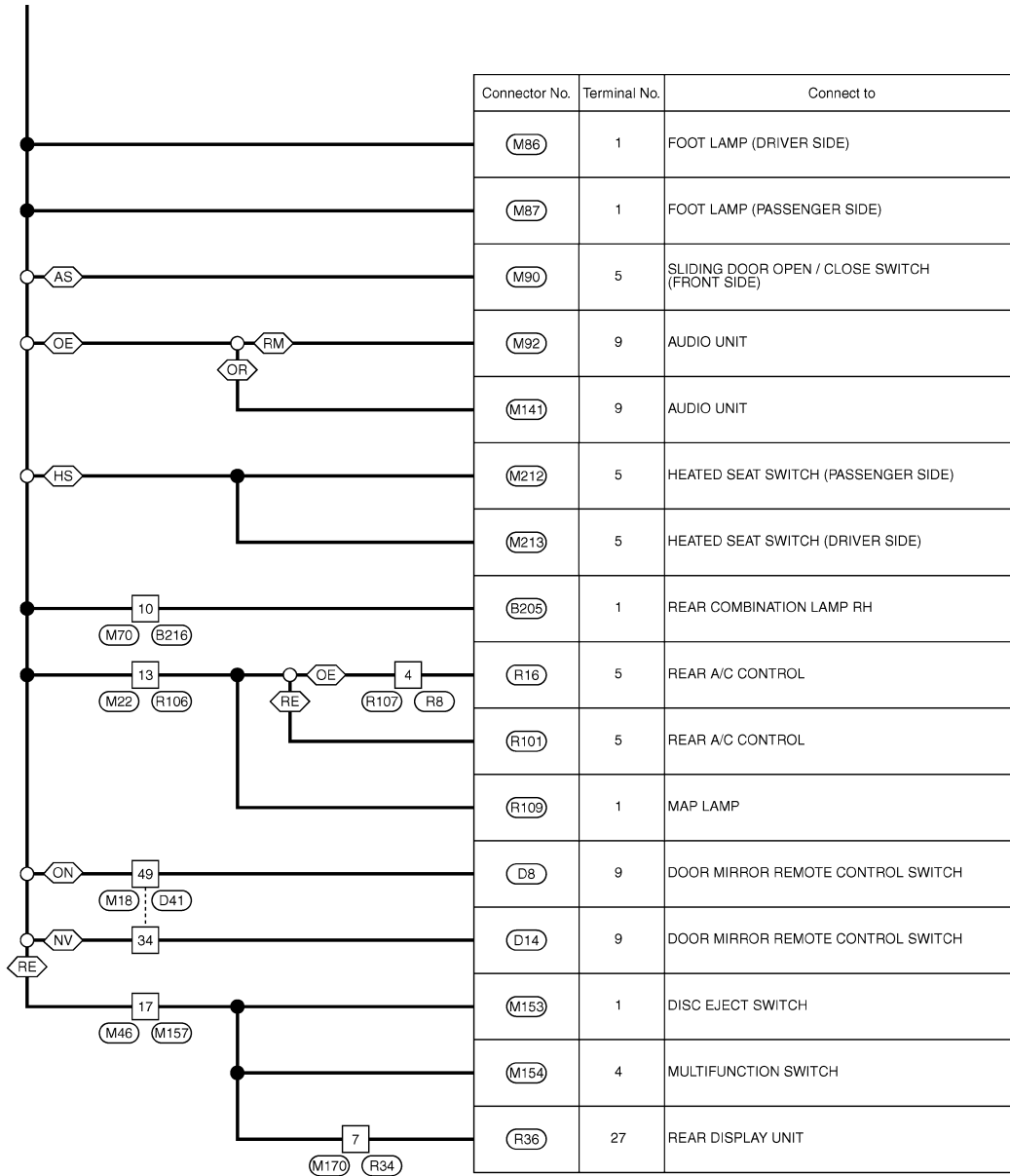
BATTERY POWER SUPPLY FUSE No. 53



JCMWA7733GB

POWER SUPPLY ROUTING CIRCUIT

< WIRING DIAGRAM >



A
B
C
D
E
F
G
H
I
J
K
L

PG

N
O
P

2010/12/13

JCMWA7734GB

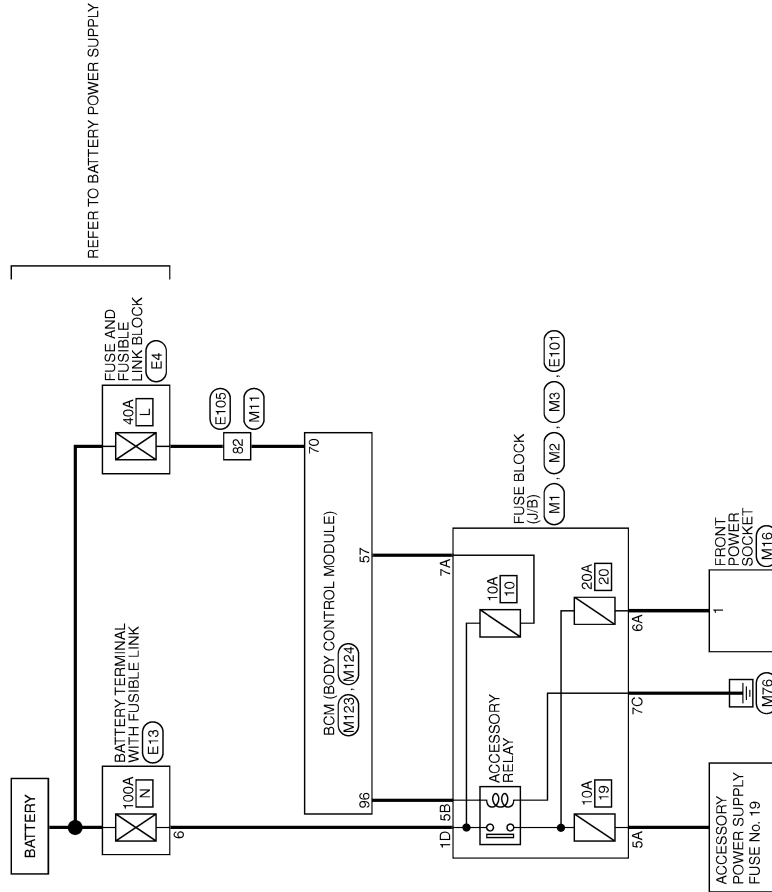
POWER SUPPLY ROUTING CIRCUIT

< WIRING DIAGRAM >

Wiring Diagram - ACCESSORY POWER SUPPLY -

INFOID:00000009651758

ACCESSORY POWER SUPPLY



2012/07/19

JRMWD3578GB

POWER SUPPLY ROUTING CIRCUIT

< WIRING DIAGRAM >

ACCESSORY POWER SUPPLY

Connector No.	B4B
Connector Name	SATELLITE RADIO TUNER
Connector Type	A16FW



Terminal No.	Color Of Wire	Signal Name [Specification]
1	B	SATELLITE RADIO SOUND SIGNAL LH (-)
2	R	SATELLITE RADIO SOUND SIGNAL LH (+)
3	R	SATELLITE RADIO SOUND SIGNAL RH (-)
4	G	SATELLITE RADIO SOUND SIGNAL RH (+)
5	SHIELD	SHIELD
6	SHIELD	SHIELD
8	R/L	REQUEST (SAT-CONT)
9	B/R	COMM (SAT-CONT)
10	R/B	COMM (CONT-SAT)
12	LG	BATTERY
15	B	GROUND
16	O	ACC

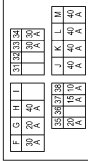
Connector No.	DB
Connector Name	DOOR MIRROR REMOTE CONTROL SWITCH
Connector Type	T048FW



Terminal No.	Color Of Wire	Signal Name [Specification]
1	B	
7	B	
8	B	
10	P	
12	W	
13	LG	

Terminal No.	14	Y	--
	15	B	--
	16	BR	--

Connector No.	E4
Connector Name	FUSE AND FUSIBLE LINK BLOCK
Connector Type	Z43817990A



Terminal No.	Color Of Wire	Signal Name [Specification]
33	LG	
34	L	
35	Y	
37	SB	
38	W	
F	G	
G	R	
H	G	
J	R	
K	R	
L	LG	
M	BR	

Connector No.	E13
Connector Name	BATTERY TERMINAL WITH FUSIBLE LINK
Connector Type	L07FE-MC



Terminal No.	8	Color Of Wire	W	Signal Name [Specification]	--
--------------	---	---------------	---	-----------------------------	----

Connector No.	E101
Connector Name	FUSE BLOCK (J/B)
Connector Type	L07FW-MC



Terminal No.	1D	Color Of Wire	W	Signal Name [Specification]	--
--------------	----	---------------	---	-----------------------------	----

Connector No.	E105
Connector Name	WIRE TO WIRE
Connector Type	T17DMW-CSD10-M3



Terminal No.	1	Color Of Wire	SHIELD	Signal Name [Specification]	--
	2	W	--		
	3	B	--		
	4	R	--		
	6	LG	--		
	7	R	--		
	8	GR	--		
	10	BR	--		
	11	Y	--		
	12	O	--		
	13	W	--		
	14	L	--		

15	P	--
31	GR	--
32	B	--
33	W	--
37	BR	--
38	G	--
39	V	--
40	P	--
41	L	--
42	LG	--
43	O	--
45	GR	--
46	SB	--
47	V	--
49	L	--
51	BR	--
52	G	--
53	B	--
54	O	--
55	Y	--
56	SHIELD	--
61	P	--
62	G	--
63	W/L	--
64	W/R	--
66	W	--
67	Y	--
69	SB	--
70	LG	--
71	R	--
72	L	--
73	GR	--
74	Y	--
75	SB	--
76	Y	--
77	G	--
78	O	--
80	R	--
81	L	--
82	LG	--
83	R	--

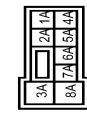
A
B
C
D
E
F
G
H
I
J
K
L
PG
N
O
P

POWER SUPPLY ROUTING CIRCUIT

< WIRING DIAGRAM >

ACCESSORY POWER SUPPLY

Connector No.	M1
Connector Name	FUSE BLOCK (J/B)
Connector Type	NS12FW-M2



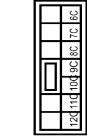
Terminal No.	Color Of Wire	Signal Name [Specification]
1A	P	
2A	V	
3A	Y	
4A	GR	
5A	V	
6A	R	
7A	GR	
8A	L	

Connector No.	M2
Connector Name	FUSE BLOCK (J/B)
Connector Type	NS12FW-CS



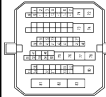
Terminal No.	Color Of Wire	Signal Name [Specification]
10B	R	
3B	V	
4B	W	
3B	BR	
8B	B/L	
9B	GR	

Connector No.	M3
Connector Name	FUSE BLOCK (J/B)
Connector Type	NS12FW-CS



Terminal No.	Color Of Wire	Signal Name [Specification]
1A	LG	
2A	LG	
3A	SB	
4A	GR	
5A	B/R	
6A	G	
7A	Y	
8A	Y	

Connector No.	M11
Connector Name	WIRE TO WIRE
Connector Type	T170FW-G510-M3



Terminal No.	Color Of Wire	Signal Name [Specification]
1	SHIELD	
2	W	
3	B	
4	R	
5	O	
6	G	
8	B	
9	B	
10	R	
11	W	
12	LG	
13	Y	
14	L	

15	P	
31	R	
32	V	
33	Y	
37	BR	
38	BR	
39	Y	
40	P	
41	L	
42	G	
43	W	
45	LG	
46	V	
47	LG	
48	SB	
51	SB	
52	GR	
53	B	
54	R	
55	L	
56	SHIELD	
61	BR	
62	LG	
63	W/L	
64	W/R	
66	O	
67	SB	
69	Y	
71	R	
72	L	
73	R	
74	Y	
75	G	
76	V	
77	P	
78	W	
80	Y	
81	W	
82	L	
83	R	

Connector No.	M16
Connector Name	FRONT POWER SOCKET
Connector Type	P02EB-Z



Terminal No.	Color Of Wire	Signal Name [Specification]
1	BY	
2	BY	

Connector No.	M49
Connector Name	A/C AMP.
Connector Type	T140FW-NH



Terminal No.	Color Of Wire	Signal Name [Specification]
1	O	BATTERY POWER SUPPLY
2	G	IGNITION POWER SUPPLY
4	SB	DOOR MOTOR POWER SUPPLY
5	BR	LAN SIGNAL
7	Y	REAR WINDOW DEFOGGER F/B SIGNAL
8	R/L	ILLUMINATION POWER SUPPLY
9	V	ACC POWER SUPPLY
10	W	FRONT BLOWER MOTOR CONTROL SIGNAL
12	BR	BLOWER FAN ON SIGNAL
13	O	A/C ON SIGNAL
17	B/W	TEMPERATURE SIGNAL
21	B/W	GROUND
23	B/W	GROUND
27	W	REAR WINDOW DEFOGGER ON SIGNAL
28	B/R	ILLUMINATION GROUND
30	R	REAR BLOWER MOTOR CONTROL SIGNAL
32	BR	COMM (A/C AUTO AMP-RR A/C CONT)
33	SB	COMM (RR A/C CONT-A/C AUTO AMP)

JRMWE3379GB

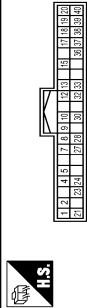
POWER SUPPLY ROUTING CIRCUIT

< WIRING DIAGRAM >

ACCESSORY POWER SUPPLY

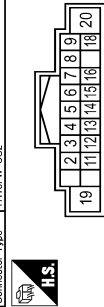
37	GR	INTAKE SENSOR SIGNAL
40	Y	SENSOR GROUND

Connector No.	M50
Connector Name	A/C AUTO AMP.
Connector Type	TH40FW-NH



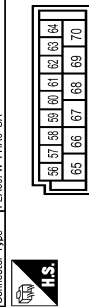
Terminal No.	Color Of Wire	Signal Name [Specification]
1	O	BATTERY POWER SUPPLY
2	G	IGNITION POWER SUPPLY
4	SB	DOOR MOTOR POWER SUPPLY
5	BR	LAN SIGNAL
7	R/Y	REAR WINDOW DEFOGGER F/B SIGNAL
8	R/L	ILLUMINATION POWER SUPPLY
9	V	ACC POWER SUPPLY
10	W	FRONT BLOWER MOTOR CONTROL SIGNAL
12	BR	BLOWER FAN ON SIGNAL
13	O	A/C ON SIGNAL
15	GR	IGNITION ON/OFF CONTROL SIGNAL
17	L	ENGINE OIL PRESSURE SIGNAL
18	L	SONAR GUN SENSOR SIGNAL
19	L	FRONT IN-VEHICLE SENSOR SIGNAL
20	O	A/C AUTO AMP CONNECTION RECOGNITION SIGNAL
21	B/W	GROUND
23	B/W	GROUND
24	SB	VEHICLE SPEED SIGNAL
27	W	REAR WINDOW DEFOGGER ON SIGNAL
28	B/R	ILLUMINATION GROUND
30	R	REAR BLOWER MOTOR CONTROL SIGNAL
32	BR	COMM (A/C AUTO AMP-RR A/C CONT)
33	SB	COMM (R A/C CONT-A/C AUTO AMP)
36	G	EXH GAS OUTSIDE DOOR DETECTING SENSOR SIGNAL
37	GR	INTAKE SENSOR SIGNAL
38	BR	REAR WIPER MOTOR SIGNAL
39	LG	AIRBAG SENSOR SIGNAL
40	Y	SENSOR GROUND

Connector No.	M82
Connector Name	AUDIO UNIT
Connector Type	TH18FW-GS2



Terminal No.	Color Of Wire	Signal Name [Specification]
2	R	SOUND SIGNAL FRONT SPEAKER LH (+)
3	V	SOUND SIGNAL SLIDE DOOR SPEAKER LH (+)
5	LG	SOUND SIGNAL SLIDE DOOR SPEAKER LH (-)
6	R	STRG SW A
7	V	ACC
8	B/W	ILLUMINATION CONTROL SIGNAL (-)
9	R/W	ILLUMINATION CONTROL SIGNAL (+)
11	W	SOUND SIGNAL FRONT SPEAKER RH (+)
12	B	SOUND SIGNAL SLIDE DOOR SPEAKER RH (+)
13	P	SOUND SIGNAL SLIDE DOOR SPEAKER RH (-)
14	L	SOUND SIGNAL SLIDE DOOR SPEAKER RH (-)
15	Y	STRG SW GND
16	SB	STRG SW B
18	SB	VEHICLE SPEED (PULSE)
19	SB	STREET LIGHT
20	B	GROUND

Connector No.	M123
Connector Name	BOM BODY CONTROL MODULE
Connector Type	FEA8FW-FH46-SA



Terminal No.	Color Of Wire	Signal Name [Specification]
56	P	INT ROOM LAMP PWR SPPLY
57	GR	BAT
58	O	AIR BAG

59	SB	PASS DOOR UNLK OUTPUT
60	GR	TURN SW RL OUTPUT
61	G	TURN SW RL OUTPUT
62	W	STRP LAMP CONT
63	R	INT ROOM LAMP CONT
64	LG	CRANK REQ
65	V	ALL DOOR LOCK OUTPUT
66	G	DR DOOR UNLK OUTPUT
67	B	GROUND
68	L	PW PWR SPLY (IGN)
69	P	PW PWR SPLY (BAT)
70	L	BAT

Connector No.	M124
Connector Name	BOM BODY CONTROL MODULE
Connector Type	TH40FW-NH



Terminal No.	Color Of Wire	Signal Name [Specification]
72	W	GN IND
73	SB	DR DOOR SW
74	W	PUSH SW
76	P	DR DOOR ANT+
79	V	DR DOOR ANT-
80	R	PASS DOOR ANT+
81	L	PASS DOOR ANT-
82	G	REAR BMRP ANT+
83	R	REAR BMRP ANT-
84	Y	ROOM ANT+
85	BR	ROOM ANT-
86	LG	ROOM ANT2+
87	V	ROOM ANT2-
88	W	Luggage ROOM ANT+
89	B	Luggage ROOM ANT-
91	SB	PUSH-RTM IGN SW L
92	G	PUSH-RTM IGN SW R
93	R	F-KEY WARN BUZZER
96	BR	ACC RELAY CONT OUTPUT
97	W	STARTER RELAY CONT
98	LG	IGN RELAY (PDM E/R) CONT

89	GR	IGN RELAY (F/B) CONT OUTPUT
90	GR	FRONT WIPER SW
100	BR	IGN SW SPLY 2
102	Y	P/W POSITION
104	L	CVT SHFT SELECT EMG SPLY
105	GR	STOP LAMP SW 2
106	O	BLWR RELAY CONT OUTPUT
109	GR	ACC IND

Connector No.	M138
Connector Name	TEL ADAPTER UNIT
Connector Type	TH32FW-NH



Terminal No.	Color Of Wire	Signal Name [Specification]
1	Y	BATTERY
2	V	ACC
3	G	GROUND
4	B/W	GROUND
7	W/L	MICROPHONE SIGNAL
8	W	FIELD
9	B/W	SOUND SIGNAL (+)
10	W	SOUND SIGNAL (-)
12	G	STRG SW A
13	V	STRG SW B
14	GR	STRG SW GND
17	R	STRG SW A
18	SB	STRG SW B
19	Y	STRG SW GND
20	B/W	CONTROL SIGNAL
22	B/W	CONTROL SIGNAL
24	B/W	CONTROL SIGNAL
27	B/W	CONTROL SIGNAL
28	SB	VEHICLE SPEED (PULSE)
29	W/R	MICROPHONE VCC

A B C D E F G H I J K L N O P



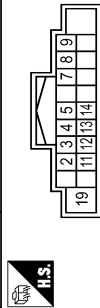
JRMWE3380GB

POWER SUPPLY ROUTING CIRCUIT

< WIRING DIAGRAM >

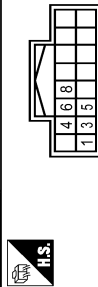
ACCESSORY POWER SUPPLY

Connector No.	M141
Connector Name	AUDIO UNIT
Connector Type	TH18FW-GS2



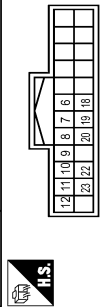
Terminal No.	Color Of Wire	Signal Name [Specification]
1	R	SOUND SIGNAL FRONT SPEAKER LH (-)
2	G	SOUND SIGNAL FRONT SPEAKER LH (+)
3	Y	SOUND SIGNAL FRONT SPEAKER RH (-)
4	V	SOUND SIGNAL FRONT SPEAKER RH (+)
5	LG	SOUND SIGNAL SLIDE DOOR SPEAKER LH (-)
6	ACC	ACC
7	V	ILLUMINATION CONTROL SIGNAL (-)
8	B/W	ILLUMINATION CONTROL SIGNAL (+)
9	R/W	SOUND SIGNAL FRONT SPEAKER RH (-)
10	W	SOUND SIGNAL FRONT SPEAKER RH (+)
11	P	SOUND SIGNAL SLIDE DOOR SPEAKER LH (-)
12	L	SOUND SIGNAL SLIDE DOOR SPEAKER LH (+)
13	Y	BATTERY
14	LG	BATTERY

Connector No.	M154
Connector Name	MULTIFUNCTION SWITCH
Connector Type	TH18FW-RH



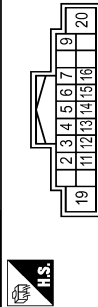
Terminal No.	Color Of Wire	Signal Name [Specification]
1	B	GROUND
2	G	ACC
3	V	ILL CONT
4	LG	AV COMM (RH)
5	SB	AV COMM (L)
6	LG	AV COMM (L)

Connector No.	M155
Connector Name	FRONT DISPLAY UNIT
Connector Type	TH24FW-RH



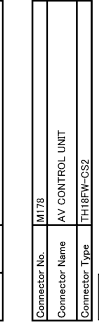
Terminal No.	Color Of Wire	Signal Name [Specification]
1	W	SHIELD
2	Y	SHIELD
3	Y	CAMERA IMAGE SIGNAL
4	R	COMM (DISP-CONT)
5	G	COMM (CONT-DISP)
6	SB	BATTERY
7	B	GROUND
8	R	COMPOSITE IMAGE SIGNAL
9	W	COMPOSITE IMAGE SIGNAL GND
10	B	SHIELD
11	O	SHIELD
12	O	ACC
13	O	ACC
14	O	ACC
15	O	ACC
16	O	ACC
17	O	ACC
18	O	ACC
19	O	ACC
20	O	ACC
21	O	ACC
22	O	ACC
23	O	ACC

Connector No.	M171
Connector Name	AV CONTROL UNIT
Connector Type	TH18FW-GS2



Terminal No.	Color Of Wire	Signal Name [Specification]
1	G	SOUND SIGNAL FRONT SPEAKER LH (-)
2	G	SOUND SIGNAL FRONT SPEAKER LH (+)
3	V	SOUND SIGNAL SLIDE DOOR SPEAKER LH (-)
4	V	SOUND SIGNAL SLIDE DOOR SPEAKER LH (+)
5	P	SOUND SIGNAL SLIDE DOOR SPEAKER LH (-)
6	L	STRG SW A
7	O	ACC
8	O	DIMMER SIGNAL
9	O	DIMMER SIGNAL
10	W	SOUND SIGNAL FRONT SPEAKER RH (-)

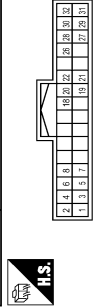
Connector No.	M178
Connector Name	AV CONTROL UNIT
Connector Type	TH18FW-GS2



Terminal No.	Color Of Wire	Signal Name [Specification]
1	LG	AMP ON SIGNAL
2	R	SOUND SIGNAL FRONT LH (-)
3	G	SOUND SIGNAL FRONT LH (+)
4	B	SOUND SIGNAL REAR LH (-)
5	W	SOUND SIGNAL REAR LH (+)
6	O	STRG SW A
7	O	SHIELD
8	GR	SHIELD
9	W	SOUND SIGNAL FRONT RH (-)
10	W	SOUND SIGNAL FRONT RH (+)
11	B	SOUND SIGNAL REAR RH (-)
12	BR	SOUND SIGNAL REAR RH (+)
13	Y	SOUND SIGNAL REAR RH (-)
14	Y	SOUND SIGNAL REAR RH (+)
15	GR	STRG SW GND
16	P	STRG SW B
17	SB	BATTERY
18	B	GROUND
19	B	GROUND
20	B	GROUND

Terminal No.	Color Of Wire	Signal Name [Specification]
1	W/L	HEADPHONE SOUND SIGNAL RH (-)
2	Y/L	HEADPHONE SOUND SIGNAL RH (+)
3	Y	HEADPHONE SOUND SIGNAL LH (-)
4	BR	HEADPHONE SOUND SIGNAL LH (+)
5	SHIELD	SHIELD
6	SHIELD	SHIELD
7	L/G	COMPOSITE IMAGE SIGNAL
8	L/R	COMPOSITE IMAGE SIGNAL GND
9	SHIELD	SHIELD
10	SHIELD	SHIELD
11	R	AV COMM (L)
12	Y	AV COMM (L)
13	G	AV COMM (RH)
14	BR	AV COMM (RH)
15	LG	AV COMM (RH)
16	SB	ION
17	Y	ACC
18	P	ACC
19	P	BAT
20	B	GROUND
21	B	GROUND
22	B	GROUND

Connector No.	R08
Connector Name	REAR DISPLAY UNIT
Connector Type	TH32FW-RH



Terminal No.	Color Of Wire	Signal Name [Specification]
1	W/L	HEADPHONE SOUND SIGNAL RH (-)
2	Y/L	HEADPHONE SOUND SIGNAL RH (+)
3	Y	HEADPHONE SOUND SIGNAL LH (-)
4	BR	HEADPHONE SOUND SIGNAL LH (+)
5	SHIELD	SHIELD
6	SHIELD	SHIELD
7	L/G	COMPOSITE IMAGE SIGNAL
8	L/R	COMPOSITE IMAGE SIGNAL GND
9	SHIELD	SHIELD
10	SHIELD	SHIELD
11	R	AV COMM (L)
12	Y	AV COMM (L)
13	G	AV COMM (RH)
14	BR	AV COMM (RH)
15	LG	AV COMM (RH)
16	SB	ION
17	Y	ACC
18	P	ACC
19	P	BAT
20	B	GROUND
21	B	GROUND
22	B	GROUND

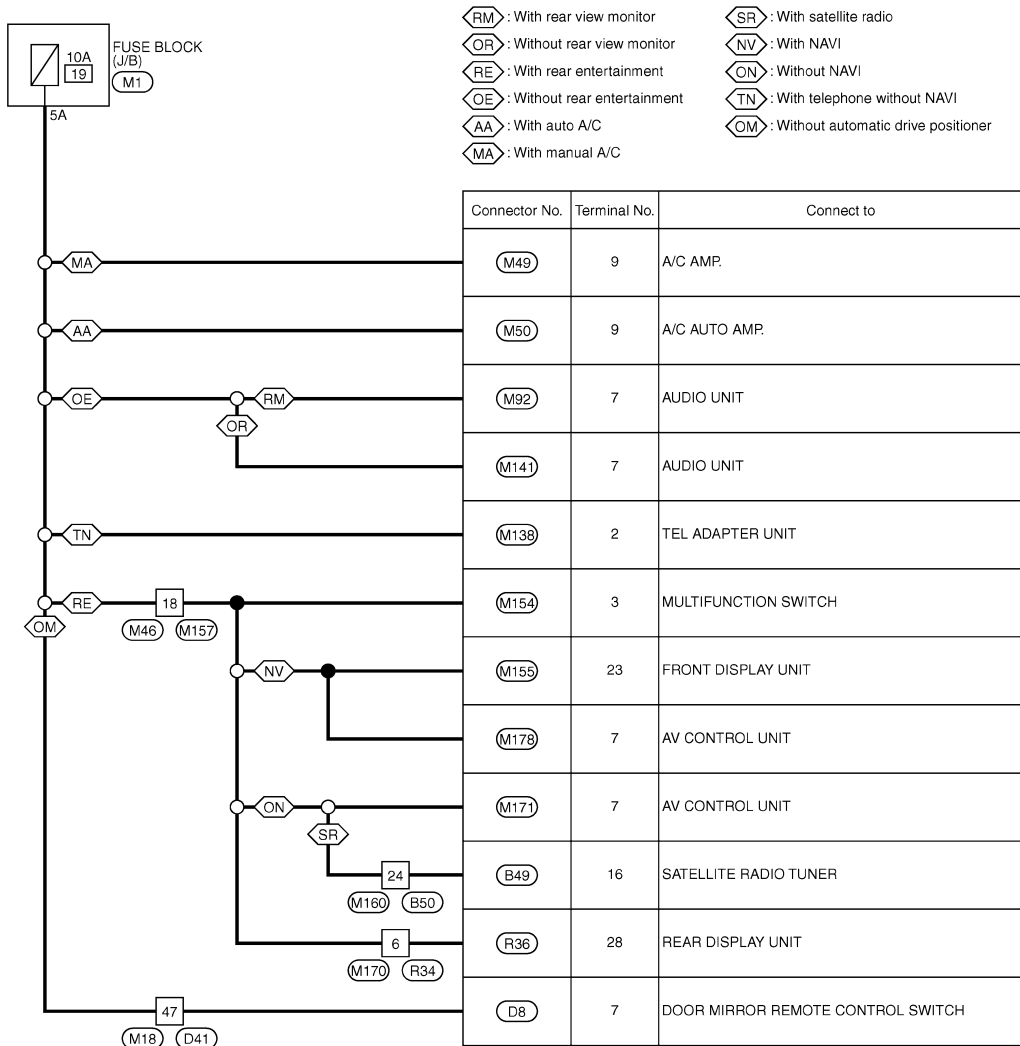
JRMWE3381GB

POWER SUPPLY ROUTING CIRCUIT

< WIRING DIAGRAM >

Wiring Diagram - ACCESSORY POWER SUPPLY FUSE No. 19 - ACCESSORY POWER SUPPLY FUSE No. 19

INFOID:000000009651759



A
B
C
D
E
F
G
H
I
J
K
L

PG

N
O
P

2010/12/13

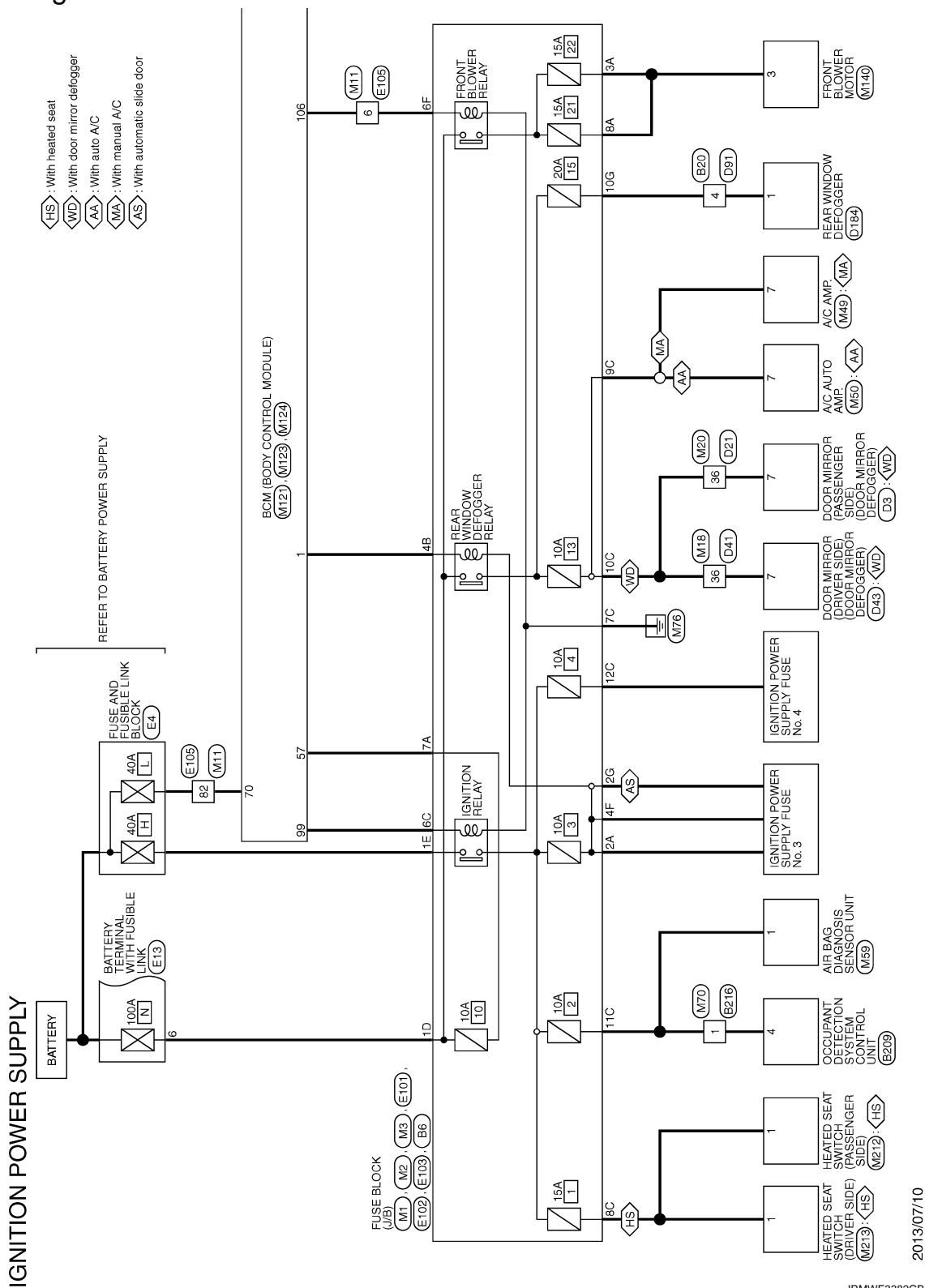
JCMWA7746GB

POWER SUPPLY ROUTING CIRCUIT

< WIRING DIAGRAM >

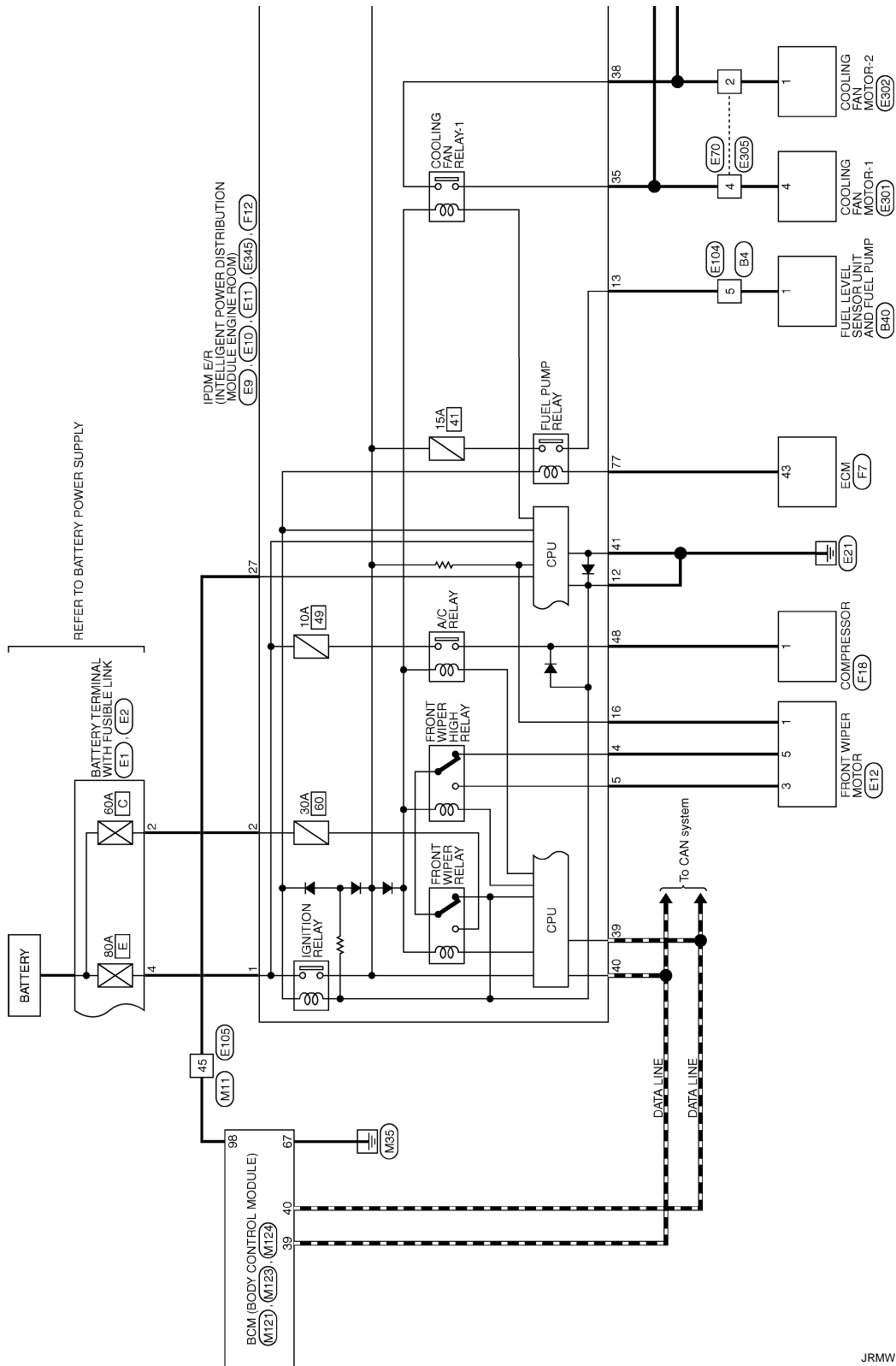
Wiring Diagram - IGNITION POWER SUPPLY -

INFOID:00000009651760



POWER SUPPLY ROUTING CIRCUIT

< WIRING DIAGRAM >

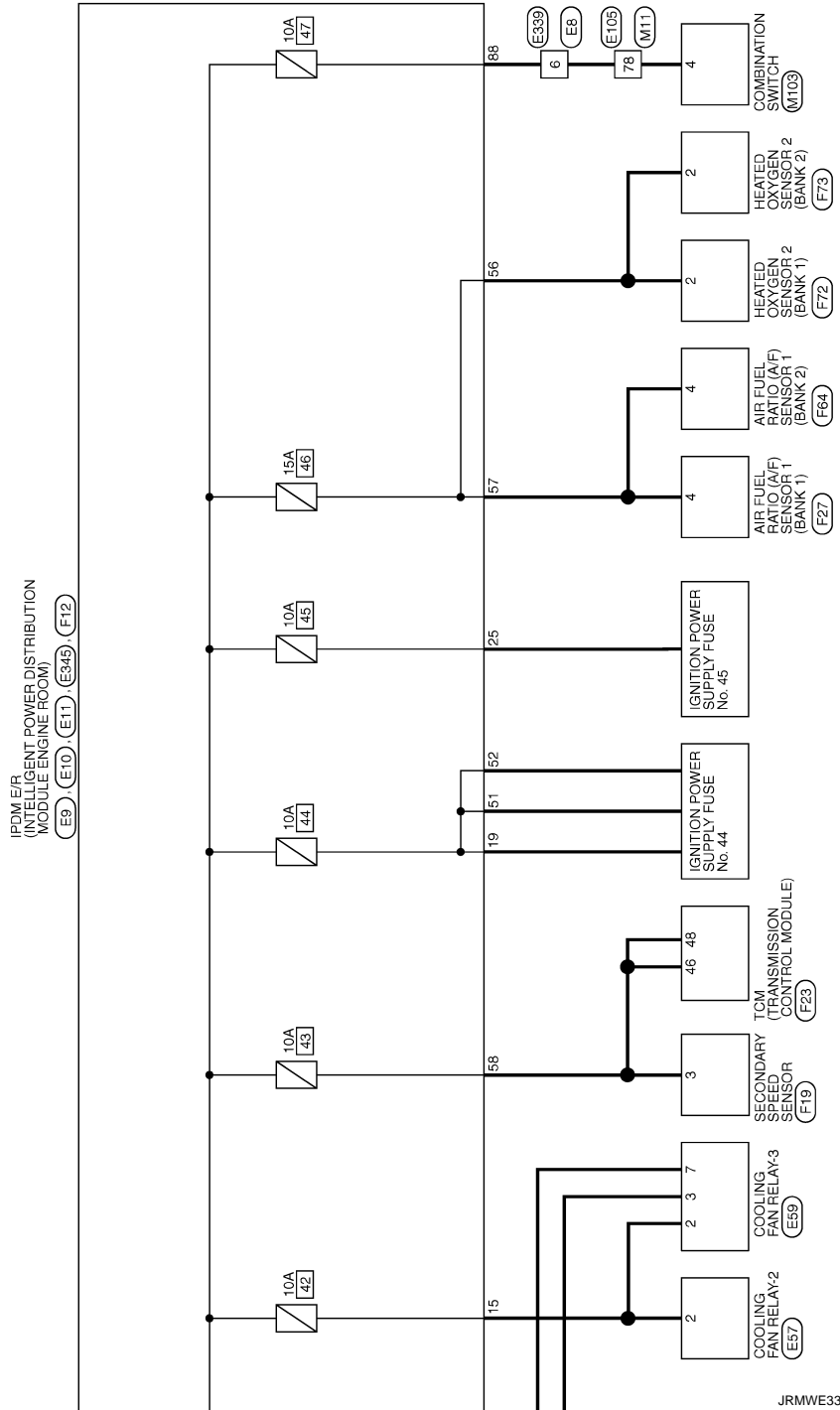


JRMWE3383GB

A
B
C
D
E
F
G
H
I
J
K
L
PG
N
O
P

POWER SUPPLY ROUTING CIRCUIT

< WIRING DIAGRAM >



POWER SUPPLY ROUTING CIRCUIT

< WIRING DIAGRAM >

IGNITION POWER SUPPLY

Connector No.	B4
Connector Name	WIRE TO WIRE
Connector Type	M110MM-CS10

1	2	3	4	5	6
9	10	11	12	19	20
14	15	16	18		



Terminal No.	Color Of Wire	Signal Name [Specification]
1	BR	-
2	LG	-
3	LG	-
4	P	-
5	W	-
6	R	-
9	R	-
10	L	-
11	V	-
12	P	-
14	LG	-
15	V	-
18	O	-
18	V	-
18	G	-
20	SB	-

Connector No.	B6
Connector Name	FUSE BLOCK (J/B)
Connector Type	NS1ZBR-CS

5/6	4/5	2/3	1/6
1/4	1/5	1/8	



Terminal No.	Color Of Wire	Signal Name [Specification]
1/6G	Y	-
1/2G	O	-
2/3G	W	-

4/5	SB	-
5/6	L	-

Connector No.	B8
Connector Name	AUTOMATIC BACK DOOR CONTROL MODULE
Connector Type	TH20FW-TB6

11	9	8	7	6	5	4	3	2	1
23	24	22	20						
17	16	15	14	13					



Terminal No.	Color Of Wire	Signal Name [Specification]
1	SB	+B
2	R	LATCH MTR CLOSE
3	G	LATCH MTR OPEN
4	O	INSIDE CLOSE SW
5	GR	BUZZER
6	B/R	NAM-FUNC-FLG
7	W	+IGN
8	B/R	GROUND
9	LG	+B
11	B/R	GROUND
13	LG	TOUCH SENS RH
14	LG	TOUCH SENS LHD
15	BR	TOUCH SENS LH
16	L	DRIVER SW
17	Y	MAM SW
20	R	CLOSE SW
22	W	HALF LATCH SW
24	G	OPEN SW
25	P	CAN-L
26	L	CAN-H

Connector No.	B20
Connector Name	WIRE TO WIRE
Connector Type	M08MM-LC

1	2	3
4	5	6



Terminal No.	Color Of Wire	Signal Name [Specification]
1	G	- [With automatic back door]
2	B	- [Without automatic back door]
3	B	- [Without automatic back door]
4	Y	- [With automatic back door]
5	P	-
6	B	-

Connector No.	B40
Connector Name	FUEL LEVEL SENSOR UNIT AND FUEL PUMP
Connector Type	E05EY-RS

1	2	3	4	5
---	---	---	---	---



Terminal No.	Color Of Wire	Signal Name [Specification]
1	W	-
2	V	-
3	B/R	-
4	BR	-
5	B/P	-

Connector No.	B45
Connector Name	SLIDING DOOR CONTROL UNIT LH
Connector Type	TU132FW-4H1

1	2	3	4	5	6	8	9	10	11	13	14	15
17	18	19	20	21	22	23	24	25	27	28		



Terminal No.	Color Of Wire	Signal Name [Specification]
1	Y	MAM SW
2	B	IGN
3	SB	IGN SW
4	GR	IGN SW
5	LG	HALF LATCH
6	W	IGN
8	W	BUZZER
9	P	CAN-L
10	L	CAN-H
11	O	ENCODER POWER
12	LG	ELEC B
14	GR	ONETOUCH OPEN SW
15	R	NEUTRAL SW
17	G	FUEL ID SW
18	L	FUEL SW
19	B	DRIVER SW
20	F	CHILL LOCK
21	BR	B-SIGN
22	O	HANDLE
23	B	SW GND
24	G	TOUCH SENS
26	SB	ENCODER GND
27	B/Y	GD LOGIC
28	V	RR DOOR SW

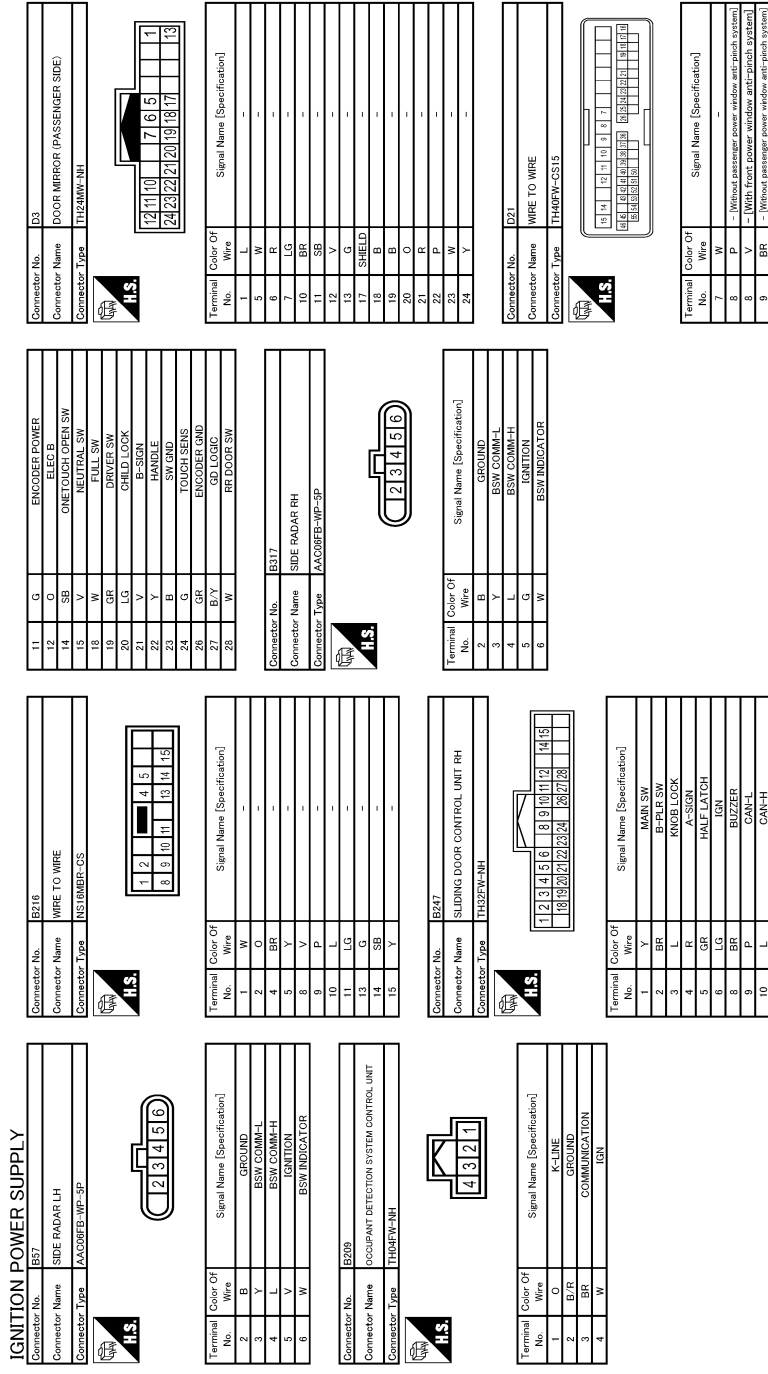
JRMWE3385GB

A
B
C
D
E
F
G
H
I
J
K
L
PG

N
O
P

POWER SUPPLY ROUTING CIRCUIT

< WIRING DIAGRAM >



JRMWE3386GB

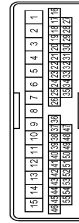
POWER SUPPLY ROUTING CIRCUIT

< WIRING DIAGRAM >

IGNITION POWER SUPPLY

Terminal No.	Color Of Wire	Signal Name [Specification]
8	L	- [With front power window anti-pinch system]
9	LG	-
11	LG	-
12	F	-
14	B	-
15	W	-
16	P	-
17	Y	-
18	R	-
19	W	-
21	R	-
22	B	-
23	W	-
24	SHIELD	-
25	G	-
28	G	-
30	LG	-
37	Y	-
38	L	-
39	O	-
40	B	-
41	W	-
42	R	-
43	P	-
45	G	-
46	GR	-
50	BR	-
51	V	-
52	SHIELD	-
53	G	-
54	R	-
55	R	-

Connector No.	D41
Connector Name	WIRE TO WIRE
Connector Type	TH40FW-CS15



Terminal No.	Color Of Wire	Signal Name [Specification]
1	B	-
2	P	-
3	SR	-
4	O	-
5	BR	-
6	BR	-
7	GR	-
8	V	-
9	BR	- [With front power window anti-pinch system]
9	SR	- [Without passenger power window anti-pinch system]
10	LG	-
11	V	-
12	G	-
14	G	-
15	W	-
16	P	-
17	R	-
18	L	-
19	LG	-
20	GR	-
21	Y	-
22	BR	-
23	R	-
24	B	-
25	W	-
26	SHIELD	-
27	SR	-
28	V	-
29	W	-
30	W	-
31	O	-
32	LG	-
33	V	-
34	BR	-
35	P	-
36	SR	-
37	GR	-
38	L	-
39	V	-
40	BR	-
41	V	-
42	V	-
43	Y	-
44	B	-
45	B	- [Without automatic drive positioner]
45	P	- [With automatic drive positioner]
46	GR	- [Without automatic drive positioner]

Terminal No.	Color Of Wire	Signal Name [Specification]
48	W	- [With automatic drive positioner]
48	P	- [Without automatic drive positioner]
49	G	- [With automatic drive positioner]
49	SR	- [Without automatic drive positioner]
50	W	-
51	R	-
52	LG	-
53	SHIELD	-
54	G	-
55	R	-

Connector No.	D43
Connector Name	DOOR MIRROR (DRIVER SIDE)
Connector Type	TH2MM-RH



Terminal No.	Color Of Wire	Signal Name [Specification]
1	W	-
5	W	-
7	SR	-
10	P	-
11	Y	-
12	BR	-
13	B	-
17	SHIELD	-
18	B	-
19	B	-
20	V	-
21	LG	-
22	R	-
23	GR	-
24	L	-

Connector No.	D91
Connector Name	WIRE TO WIRE
Connector Type	MOEYH-LC



Terminal No.	Color Of Wire	Signal Name [Specification]
1	G	- [With automatic back door]
1	W	- [Without automatic back door]
2	B	-
3	B/W	- [With automatic back door]
3	V	- [Without automatic back door]
4	Y	-
5	R	-
6	B	-

Connector No.	D184
Connector Name	REAR WINDOW DEFOGGER
Connector Type	POIFB-A



Terminal No.	Color Of Wire	Signal Name [Specification]
1	Y	-

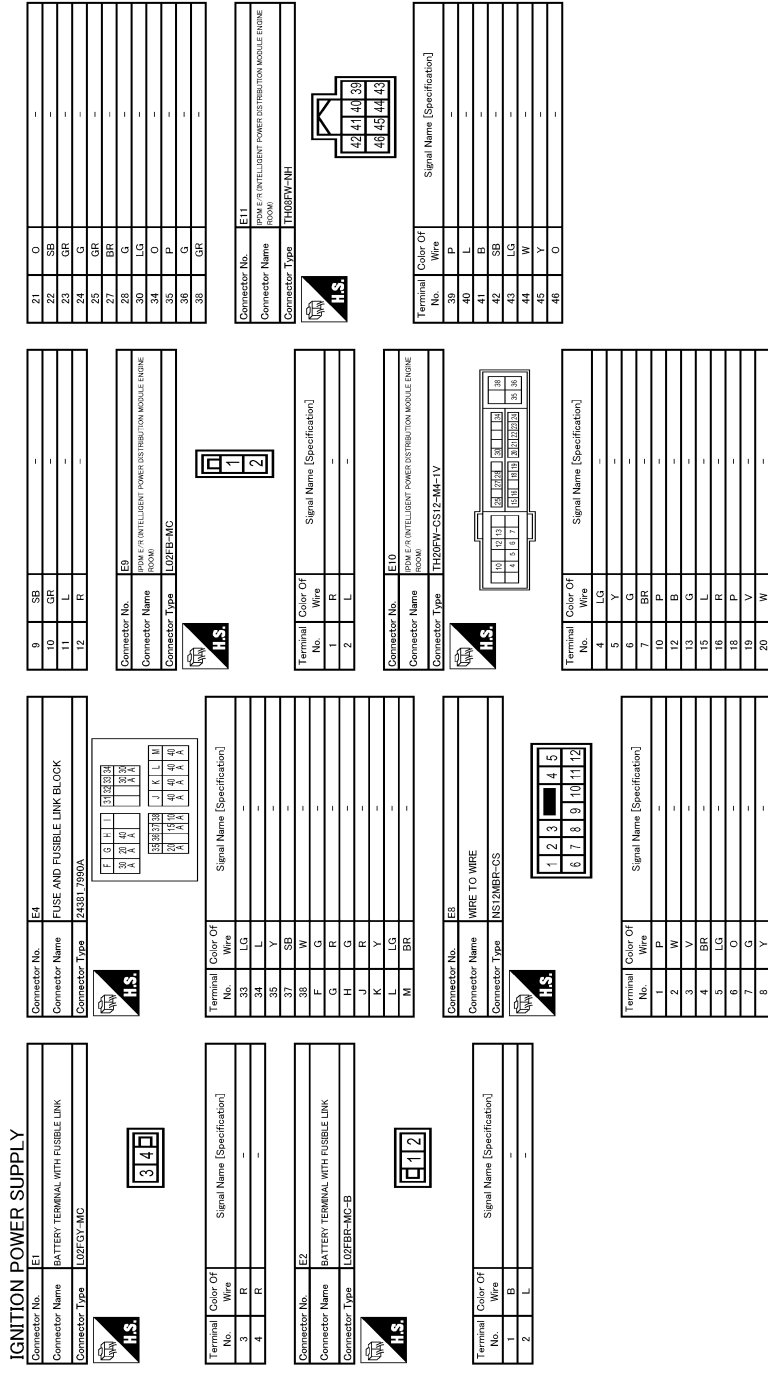
A
B
C
D
E
F
G
H
I
J
K
L
N
O
P

PG

JRMWE3387GB

POWER SUPPLY ROUTING CIRCUIT

< WIRING DIAGRAM >



JRMWE3388GB

POWER SUPPLY ROUTING CIRCUIT

< WIRING DIAGRAM >

IGNITION POWER SUPPLY

Connector No.	E12
Connector Name	FRONT WIPER MOTOR
Connector Type	H395FGY



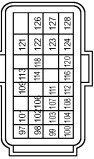
Terminal No.	Color Of Wire	Signal Name [Specification]
1	W	-
3	Y	-
4	B	-
5	LG	-

Connector No.	E13
Connector Name	BATTERY TERMINAL WITH FUSIBLE LINK
Connector Type	L01FB-MC



Terminal No.	Color Of Wire	Signal Name [Specification]
6	W	-

Connector No.	E16
Connector Name	ECM
Connector Type	FR124GY-R29-L-LH



Terminal No.	Color Of Wire	Signal Name [Specification]
57	W	ACCELERATOR PEDAL POSITION SENSOR 1
101	W	ACCELERATOR PEDAL POSITION SENSOR 2
104	P	SENSOR POWER SUPPLY
113	B	SENSOR GROUND
121	Y	ASD-STEERING SWITCH
126	LG	EVAP CONTROL SYSTEM PRESSURE SENSOR
128	GR	SENSOR POWER SUPPLY
102	LG	DATA LINK CONNECTOR
106	V	EVAP CANISTER VENT CONTROL VALVE
108	BR	SENSOR POWER SUPPLY
110	G	SENSOR GROUND
114	W	IGNITION SWITCH
118	Y	FUEL TANK TEMPERATURE SENSOR
122	V	SENSOR GROUND
127	P	CAN COMMUNICATION LINE
129	L	CAN COMMUNICATION LINE
103	G	SENSOR GROUND
105	R	PMP Signal
107	BR	SENSOR GROUND
111	L	POWER SUPPLY FOR ECM
115	SB	STOP LAMP SWITCH
119	B	ECM GROUND
123	B	ECM GROUND
124	B	ECM GROUND
125	BR	ASD BRAKE SWITCH
127	B	ECM GROUND
128	B	ECM GROUND

Connector No.	E18
Connector Name	BACK-UP LAMP RELAY
Connector Type	H392L-M2-LG



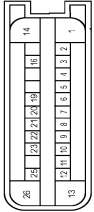
Terminal No.	Color Of Wire	Signal Name [Specification]
1	O	-
2	LG	-
3	Y	-
5	Y	-

Connector No.	E14
Connector Name	POWER STEERING CONTROL MODULE
Connector Type	FEAMFB-FHA2-LG



Terminal No.	Color Of Wire	Signal Name [Specification]
5	BR	IGN
7	P	CAN-L
8	L	CAN-H

Connector No.	E38
Connector Name	ABS ACTUATOR AND ELECTRO UNIT CONTROL UNIT
Connector Type	A1E22EB-AU24-LH

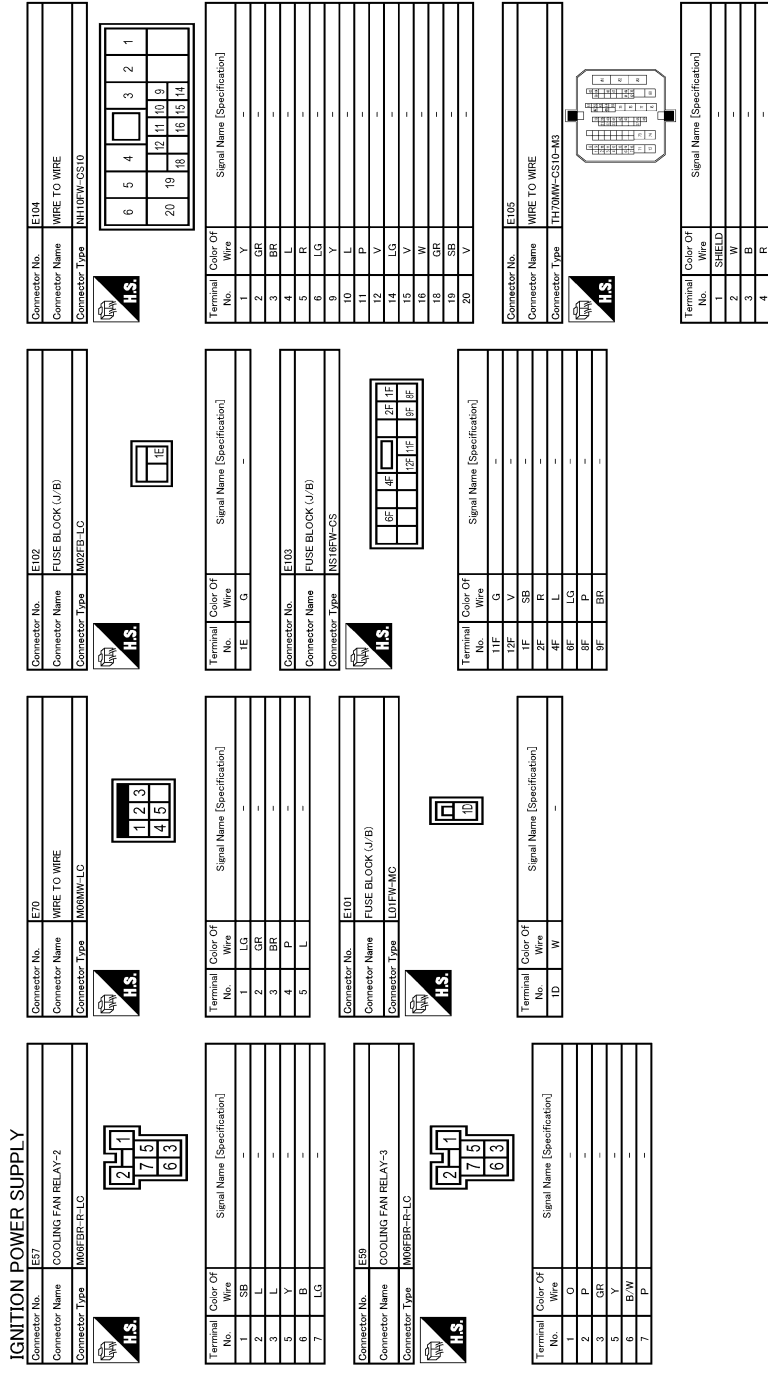


Terminal No.	Color Of Wire	Signal Name [Specification]
1	R	VALVE BATTERY
2	Y	RR LH WHEEL SENSOR POWER SUPPLY
3	L	RR LH WHEEL SENSOR POWER SUPPLY
4	G	LG SENSOR POWER SUPPLY
5	B	FR RH WHEEL SENSOR POWER SUPPLY
6	W	FR RH WHEEL SENSOR SIGNAL
7	R	BRAKE FLUID LEVEL SWITCH SIGNAL
8	LG	FR LH WHEEL SENSORE SIGNAL
9	L	FR LH WHEEL SENSOR POWER SUPPLY
10	B	G SENSOR GND
11	V	RR RH WHEEL SENSOR POWER SUPPLY
12	P	RR RH WHEEL SENSORE SIGNAL
13	B	GROUND
14	G	MOTOR BATTERY
16	SB	STOP LAMP SWITCH SIGNAL
18	GR	G SENSOR SIGNAL (-)
20	P	CAN-L
22	BR	VDC OFF SWITCH SIGNAL
23	L	CAN-H
25	O	G SENSOR SIGNAL (-)
26	B	GROUND

A
B
C
D
E
F
G
H
I
J
K
L
PG
N
O
P

POWER SUPPLY ROUTING CIRCUIT

< WIRING DIAGRAM >




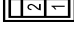
JRMWE3390GB

POWER SUPPLY ROUTING CIRCUIT

< WIRING DIAGRAM >


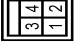
Terminal No.	Color Of Wire	Signal Name [Specification]
1	LG	
2	GR	
3	SB	
4	BR	
5	Y	
6	W	
7	L	
8	P	
9	GR	
10	R	
11	BR	
12	W	
13	L	
14	P	
15	GR	
16	R	
17	BR	
18	W	
19	L	
20	P	
21	GR	
22	R	
23	BR	
24	W	
25	L	
26	P	
27	GR	
28	R	
29	BR	
30	W	
31	L	
32	P	
33	GR	
34	R	
35	BR	
36	W	
37	L	
38	P	
39	GR	
40	R	
41	BR	
42	W	
43	L	
44	P	
45	GR	
46	R	
47	BR	
48	W	
49	L	
50	P	
51	GR	
52	R	
53	BR	
54	W	
55	L	
56	P	
57	GR	
58	R	
59	BR	
60	W	
61	L	
62	P	
63	GR	
64	R	
65	BR	
66	W	
67	L	
68	P	
69	GR	
70	R	
71	BR	
72	W	
73	L	
74	P	
75	GR	
76	R	
77	BR	
78	W	
79	L	
80	P	
81	GR	
82	R	
83	BR	

Connector No.	E109
Connector Name	ASCD BRAKE SWITCH
Connector Type	MM2E2BR-LC


Terminal No.	Color Of Wire	Signal Name [Specification]
1	LG	
2	BR	

Connector No.	E115
Connector Name	STOP LAMP SWITCH
Connector Type	MM2E2W-LC



Terminal No.	Color Of Wire	Signal Name [Specification]
1	P	
2	LG	
3	O	
4	W	

Connector No.	E301
Connector Name	COOLING FAN MOTOR-1
Connector Type	RS24EY-PR




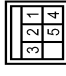

Terminal No.	Color Of Wire	Signal Name [Specification]
1	L	
2	P	
3	L	
4	Y	

Connector No.	E302
Connector Name	COOLING FAN MOTOR-2
Connector Type	RS24EY-PR



Terminal No.	Color Of Wire	Signal Name [Specification]
1	R	
2	G	
3	B/Y	
4	B/W	

Connector No.	E305
Connector Name	WIRE TO WIRE
Connector Type	MM2E2W-LC

Terminal No.	Color Of Wire	Signal Name [Specification]
1	P	
2	R	
3	L	
4	Y	
5	G	

Connector No.	E315
Connector Name	POWER RELAY CONTACT DETECTIVE CIRCUIT
Connector Type	PH20E2B

Terminal No.	Color Of Wire	Signal Name [Specification]
1	O	
2	B/W	
3	G	

A
B
C
D
E
F
G
H
I
J
K
L
N
O
P

PG

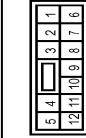
JRMWE3391GB

POWER SUPPLY ROUTING CIRCUIT

< WIRING DIAGRAM >

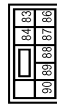
IGNITION POWER SUPPLY

Connector No.	E539
Connector Name	WIRE TO WIRE
Connector Type	MS12FER-CS



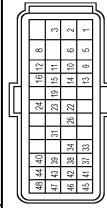
Terminal No.	Color Of Wire	Signal Name [Specification]
1	G	—
2	G	—
3	R	—
4	V	—
5	L	—
6	BR	—
7	P	—
8	Y	—
9	SB	—
10	GR	—
11	Y	—
12	G	—

Connector No.	E545
Connector Name	ROM E/R INTELLIGENT POWER DISTRIBUTION MODULE ENGINE ROOM
Connector Type	MS09FW-CS



Terminal No.	Color Of Wire	Signal Name [Specification]
82	R	—
83	L	—
84	SB	—
87	Y	—
88	BR	—
89	V	—
90	G	—

Connector No.	F7
Connector Name	ECM
Connector Type	RM49FB-BZL-L-RH



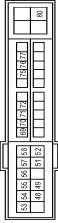
Terminal No.	Color Of Wire	Signal Name [Specification]
1	G	THROTTLE CONTROL MOTOR POWER SUPPLY
2	P	THROTTLE CONTROL MOTOR CLOSED
3	SB	A/F SENSOR 1 HEATER (BANK 2)
4	R	A/F SENSOR 1 HEATER (BANK 2)
5	L	THROTTLE CONTROL MOTOR (OPEN)
6	BR/Y	A/F SENSOR 1 HEATER (BANK 1)
8	P	STARTER MOTOR RELAY CUT OFF SIGNAL
9	L/B	IGNITION SIGNAL No. 3
10	G/R	IGNITION SIGNAL No. 2
11	V/R	IGNITION SIGNAL No. 1
12	B	ECM GROUND
13	GR/R	IGNITION SIGNAL No. 6
14	P	IGNITION SIGNAL No. 5
15	W	IGNITION SIGNAL No. 4
16	B/Y	ECM GROUND
17	W	ECM GROUND
18	W	ECM GROUND
19	W	ECM GROUND
20	W	ECM GROUND
21	W	ECM GROUND
22	W	ECM GROUND
23	R	THROTTLE POSITION SENSOR 1
24	G	THROTTLE POSITION SENSOR 2
26	W/L	POWER SUPPLY FOR ECM (BACK-UP)
31	W/B	ECM RELAY (SELF SHUT-OFF)
33	R/B	FUEL INJECTOR No. 1
34	O	THROTTLE CONTROL MOTOR RELAY
37	P/B	HEATED OXYGEN SENSOR 2 HEATER (BANK 1)
38	BR/W	HEATED OXYGEN SENSOR 2 HEATER (BANK 1)
39	V	ELECTRONIC CONTROLLED FUEL INJECTION CONTROL (OPENED VALVE)
40	GR/B	WAS CONTROL SOLENOID VALVE 2
41	R	HEATED OXYGEN SENSOR 2 HEATER (BANK 2)
42	P/L	HEATED OXYGEN SENSOR 2 HEATER (BANK 2)
43	P	WAS CONTROL SOLENOID VALVE 1
44	W/W	FUEL INJECTOR No. 2
45	P/B	FUEL INJECTOR No. 6
46	L/W	FUEL INJECTOR No. 5
47	LG/R	FUEL INJECTOR No. 4
48	R/Y	FUEL INJECTOR No. 3

Connector No.	F11
Connector Name	ELECTRONIC CONTROLLED FUEL INJECTION CONTROL (OPENED VALVE)
Connector Type	E020FER-RS



Terminal No.	Color Of Wire	Signal Name [Specification]
1	—	—
2	BR/W	—

Connector No.	F12
Connector Name	ROM E/R INTELLIGENT POWER DISTRIBUTION MODULE ENGINE ROOM
Connector Type	TH09FW-CS12-M4



Terminal No.	Color Of Wire	Signal Name [Specification]
48	W	—
49	R/B	—
51	LG	—
52	Y/G	—
53	R/W	—
54	G/W	—
55	W/L	—
56	R/Y	—
57	O	—
58	W	—
59	W/O	—
71	P	—
72	R/B	—
75	LG	—
76	GR	—
77	B	—
80	B	—

Connector No.	F18
Connector Name	COMPRESSOR
Connector Type	RH02FB



Terminal No.	Color Of Wire	Signal Name [Specification]
1	W	—
2	B	—

Connector No.	F19
Connector Name	SECONDARY SPEED SENSOR
Connector Type	RK03FB



Terminal No.	Color Of Wire	Signal Name [Specification]
1	W	—
2	LG/R	—
3	Y	—

JRMWE3392GB

POWER SUPPLY ROUTING CIRCUIT

< WIRING DIAGRAM >

IGNITION POWER SUPPLY

Connector No.	F23
Connector Name	TCM (TRANSMISSION CONTROL MODULE)
Connector Type	RH40FB-R26-L-RH



Terminal No.	Color Of Wire	Signal Name [Specification]
1	P/B	TRANSMISSION RANGE SWITCH 2
2	L/G	TRANSMISSION RANGE SWITCH 2
3	G/O	TRANSMISSION RANGE SWITCH 2
4	G/R	TRANSMISSION RANGE SWITCH 3 (MONITOR)
5	B	GROUND
7	W	SENSOR GROUND
8	G/W	ROM ASSY (SEL 2)
9	L/R	ROM ASSY (SEL 1)
10	BR/R	ROM ASSY (SEL 3)
11	BR/W	TRANSMISSION RANGE SWITCH 1
13	V	DVT FLUID TEMPERATURE SENSOR
14	R/W	PRIMARY PRESSURE SENSOR
15	V/W	SECONDARY PRESSURE SENSOR
19	G/B	BACK-UP LAMP RELAY
20	R/B	STARTER RELAY
21	L/B	STARTER RELAY
22	L/R	SENSOR POWER
27	R/G	STEP MOTOR C
28	R	STEP MOTOR D
29	O/B	STEP MOTOR B
30	G/R	STEP MOTOR A
31	P	CAN-L
32	L	CAN-H
33	LG	PRIMARY SPEED SENSOR
34	LG/R	SECONDARY SPEED SENSOR
37	V/R	LOCK-UP SELECT SOLENOID VALVE
38	L/W	TORQUE CONVERTER CLUTCH SOLENOID VALVE
39	W/B	SECONDARY PRESSURE SOLENOID VALVE
40	R/Y	LINE PRESSURE SOLENOID VALVE
42	P	IGNITION POWER SUPPLY
46	X	IGNITION POWER SUPPLY
47	L/R	BATTERY POWER SUPPLY (MEMORY BACK-UP)
48	Y	IGNITION POWER SUPPLY

Connector No.	F27
Connector Name	AIR FUEL RATIO (A/F) SENSOR 1 (BANK 1)
Connector Type	FR4MDQY-BR



Terminal No.	Color Of Wire	Signal Name [Specification]
1	P	-
2	BR/Y	-
4	O	-

Connector No.	F37
Connector Name	FUEL INJECTOR No. 1
Connector Type	HS02FGY



Terminal No.	Color Of Wire	Signal Name [Specification]
1	LG	-
2	R/B	-

Connector No.	F38
Connector Name	FUEL INJECTOR No. 2
Connector Type	HS02FGY



Terminal No.	Color Of Wire	Signal Name [Specification]
1	R/G	-
2	R/W	-

Connector No.	F38
Connector Name	FUEL INJECTOR No. 3
Connector Type	HS02FGY



Terminal No.	Color Of Wire	Signal Name [Specification]
1	LG	-
2	R/Y	-

Connector No.	F40
Connector Name	FUEL INJECTOR No. 4
Connector Type	HS02FGY



Terminal No.	Color Of Wire	Signal Name [Specification]
1	Y/G	-
2	L/G/R	-

Connector No.	F41
Connector Name	FUEL INJECTOR No. 5
Connector Type	HS02FGY



Terminal No.	Color Of Wire	Signal Name [Specification]
1	LG	-
2	L/W	-

A
B
C
D
E
F
G
H
I
J
K
L
N
O
P

PG

JRMWE3393GB

POWER SUPPLY ROUTING CIRCUIT

< WIRING DIAGRAM >

IGNITION POWER SUPPLY

Connector No.	F72
Connector Name	FUEL INJECTOR No. 6
Connector Type	HS02EGY



Terminal No.	Color Of Wire	Signal Name [Specification]
1	PG	--
2	P/B	--

Connector No.	F64
Connector Name	AIR FUEL RATIO (A/F) SENSOR 1 (BANK 2)
Connector Type	RH04MDGY-BRE



Terminal No.	Color Of Wire	Signal Name [Specification]
1	V	--
2	LG	--
3	SB	--
4	O	--

Connector No.	F73
Connector Name	HEATED OXYGEN SENSOR 2 (BANK 1)
Connector Type	RH04MB



Terminal No.	Color Of Wire	Signal Name [Specification]
1	P/Y	GRB/L-02S
2	P/Y	GDV
3	P/B	Q2HBR(Q2H1)
4	W	Q5BR(Q5B1)

Connector No.	F73
Connector Name	HEATED OXYGEN SENSOR 2 (BANK 2)
Connector Type	RH04MB



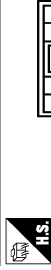
Terminal No.	Color Of Wire	Signal Name [Specification]
1	B	--
2	R/Y	--
3	R	--
4	W/L	--

Connector No.	M1
Connector Name	FUSE BLOCK (J/B)
Connector Type	NS06FW-M2



Terminal No.	Color Of Wire	Signal Name [Specification]
1A	G	--
2A	L	--
3A	L	--
4A	GR	--
5A	V	--
6A	R	--
7A	GR	--
8A	L	--

Connector No.	M2
Connector Name	FUSE BLOCK (J/B)
Connector Type	NS10FP-CS



Terminal No.	Color Of Wire	Signal Name [Specification]
10B	R	--
4B	W	--
3B	V	--
4B	BR	--
5B	R/L	--
6B	GR	--

Connector No.	M3
Connector Name	FUSE BLOCK (J/B)
Connector Type	NS12FW-CS



Terminal No.	Color Of Wire	Signal Name [Specification]
1C	LG	--
1C	Y	--
1C	Y	--
6C	GR	--
7C	B/R	--
8C	G	--
9C	Y	--

Connector No.	M4
Connector Name	DATA LINK CONNECTOR
Connector Type	BD1FW



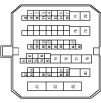
Terminal No.	Color Of Wire	Signal Name [Specification]
3	LG	--
4	B/R	--
5	B/R	--
6	L	--
7	R	--
8	G	--
14	SB	--
14	P	--
16	O	--

POWER SUPPLY ROUTING CIRCUIT

< WIRING DIAGRAM >

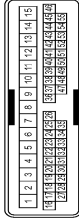
IGNITION POWER SUPPLY

Connector No.	M11
Connector Name	WIRE TO WIRE
Connector Type	TH10FW-CS10-MS



Terminal No.	Color Of Wire	Signal Name [Specification]
1	SHIELD	
2	P	
3	B	
4	R	
6	G	
7	G	
8	G	
9	B	
10	R	
11	W	
12	LG	
13	Y	
14	L	
15	P	
16	Y	
17	P	
18	Y	
19	P	
20	Y	
21	Y	
22	Y	
23	BR	
24	BR	
25	BR	
26	Y	
27	BR	
28	BR	
29	BR	
30	BR	
31	BR	
32	BR	
33	Y	
34	R	
35	G	
36	G	
37	B	
38	Y	
39	Y	
40	P	
41	L	
42	G	
43	W	
44	LG	
45	LG	
46	V	
47	LG	
48	G	
49	G	
50	BR	
51	BR	
52	BR	
53	BR	
54	BR	
55	L	
56	SHIELD	
61	BR	
62	LG	

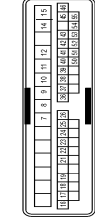
Connector No.	M18
Connector Name	WIRE TO WIRE
Connector Type	TH40MW-CS15



Terminal No.	Color Of Wire	Signal Name [Specification]
1	B/W	
2	R	
3	W	
4	Y	
5	SB	
6	BR	
7	LG	
8	L	
9	GR	
10	V	
11	V	
12	G	
13	O	
14	BR	
14	G	
15	R	

16	Y	
16	SB	
16	SP	
17	V	
18	V	
19	V	
20	Y	
21	W	
22	G	
23	R	
24	B	
25	W	
26	SHIELD	
27	GR	
28	G	
29	O	
30	LG	
31	Y	
32	L	
33	Y	
34	R/W	
35	GR	
36	LG	
37	W	
38	P	
39	V	
40	BR	
41	P	
42	V	
43	SB	
44	B	
45	V	
46	GR/V	
47	V	
48	B/P	
49	O	
49	R/W	
50	V	
51	LG	
52	W	
53	SHIELD	
54	L/R	
55	L/G	

Connector No.	M20
Connector Name	WIRE TO WIRE
Connector Type	TH40MW-CS15



Terminal No.	Color Of Wire	Signal Name [Specification]
7	B/W	
8	B	
8	B	
8	BR	
8	GR	
10	LG	
11	SB	
12	V	
14	B	
15	W	
16	BR	
17	P	
18	R	
19	Y	
21	R	
22	B	
22	W	
24	SHIELD	
25	W/L	
26	W/R	
36	LG	
37	W	
38	P	
39	G	
40	B	
41	R	
42	L	
43	GR	
44	BR	
45	Y	
50	Y	
51	BR	
51	LG	
52	W	
53	SHIELD	
54	B/Y	

A
B
C
D
E
F
G
H
I
J
K
L
N
O
P

PG

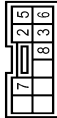
POWER SUPPLY ROUTING CIRCUIT

< WIRING DIAGRAM >

IGNITION POWER SUPPLY

Connector No.	M24
Connector Name	COMBINATION METER
Connector Type	TH40FW-NH

Connector No.	M24
Connector Name	AC 120V OUTLET MAIN SWITCH
Connector Type	TK10FW



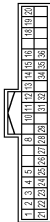
Terminal No.	Color Of Wire	Signal Name [Specification]
1	G	BATTERY POWER SUPPLY
2	Y	IGNITION SIGNAL
3	B	GROUND
4	B	ILLUMINATION CONTROL SIGNAL
5	B/P	TRIP RESET SWITCH SIGNAL
6	B/R	METER CONTROL SWITCH GROUND
7	R/L	ENTER SWITCH SIGNAL
8	B/R	SELECT SWITCH SIGNAL

Connector No.	M30
Connector Name	STEERING ANGLE SENSOR
Connector Type	TH08FW-NH



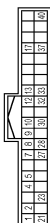
Terminal No.	Color Of Wire	Signal Name [Specification]
1	B/Y	
2	P	
3	G	
4	L	

Connector No.	M4
Connector Name	COMBINATION METER
Connector Type	TH40FW-NH



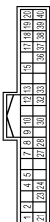
Terminal No.	Color Of Wire	Signal Name [Specification]
1	Y	BATTERY POWER SUPPLY
2	G	IGNITION SIGNAL
3	B	GROUND
4	B	ILLUMINATION CONTROL SIGNAL
5	B/P	TRIP RESET SWITCH SIGNAL
6	B/R	METER CONTROL SWITCH GROUND
7	R/L	ENTER SWITCH SIGNAL
8	B/R	SELECT SWITCH SIGNAL
9	P	ILLUMINATION CONTROL SWITCH SIGNAL (+)
10	P	ILLUMINATION CONTROL SWITCH SIGNAL (-)
11	G	ENTER SWITCH SIGNAL
12	BR	SELECT SWITCH SIGNAL
13	Y	ILLUMINATION CONTROL SWITCH SIGNAL (+)
14	V	ILLUMINATION CONTROL SWITCH SIGNAL (-)
15	BR	ENTER SWITCH SIGNAL
16	L	ENGINE COOLANT TEMPERATURE SIGNAL
17	LG	AMBIENT SENSOR SIGNAL
18	LG	A/C AUTO AMP CONTROL SIGNAL
19	Y	AMBIENT SENSOR GROUND
20	Y	CAN-H
21	L	CAN-L
22	P	GROUND
23	B	FUEL LEVEL SENSOR GROUND
24	B	ALTERNATOR SIGNAL
25	BR	PARKING BRAKE SWITCH SIGNAL
26	BR	SECURITY SIGNAL
27	Y	WASHER LEVEL SWITCH SIGNAL
28	V	VEHICLE SPEED SIGNAL (8-PULSE)
29	G	FUEL LEVEL SENSOR SIGNAL
30	P	SEAT BELT SENSOR SIGNAL
31	P	PASSENGER SEAT BELT WARNING SIGNAL
32	O	GROUND
33	O	GROUND
34	O	GROUND
35	O	GROUND
36	O	GROUND
37	O	GROUND
38	BR	PASSENGER SEAT BELT WARNING SIGNAL

Connector No.	M4B
Connector Name	A/C AMP
Connector Type	TH40FW-NH



Terminal No.	Color Of Wire	Signal Name [Specification]
1	O	BATTERY POWER SUPPLY
2	G	IGNITION POWER SUPPLY
3	SB	DOOR MOTOR POWER SUPPLY
4	BR	LAN SIGNAL
5	BR	REAR WINDOW DEFOGGER F/B SIGNAL
6	R/L	ILLUMINATION POWER SUPPLY
7	Y	ACC POWER SUPPLY
8	R/L	FRONT BLOWER MOTOR CONTROL SIGNAL
9	V	REAR BLOWER MOTOR CONTROL SIGNAL
10	W	A/C ON SIGNAL
11	W	ENGINE COOLANT TEMPERATURE SIGNAL
12	O	GROUND
13	O	GROUND
14	B/W	REAR WINDOW DEFOGGER ON SIGNAL
15	B/W	REAR BLOWER MOTOR CONTROL SIGNAL
16	B	COMM (R/A/C AUTO AMP - A/C CONT)
17	R	COMM (R/A/C AUTO AMP - A/C CONT)
18	BR	COMM (R/A/C AUTO AMP - A/C CONT)
19	BR	COMM (R/A/C AUTO AMP - A/C CONT)
20	BR	COMM (R/A/C AUTO AMP - A/C CONT)
21	BR	COMM (R/A/C AUTO AMP - A/C CONT)
22	BR	COMM (R/A/C AUTO AMP - A/C CONT)
23	BR	COMM (R/A/C AUTO AMP - A/C CONT)
24	BR	COMM (R/A/C AUTO AMP - A/C CONT)
25	BR	COMM (R/A/C AUTO AMP - A/C CONT)
26	BR	COMM (R/A/C AUTO AMP - A/C CONT)
27	BR	COMM (R/A/C AUTO AMP - A/C CONT)
28	BR	COMM (R/A/C AUTO AMP - A/C CONT)
29	BR	COMM (R/A/C AUTO AMP - A/C CONT)
30	BR	COMM (R/A/C AUTO AMP - A/C CONT)
31	BR	COMM (R/A/C AUTO AMP - A/C CONT)
32	BR	COMM (R/A/C AUTO AMP - A/C CONT)
33	BR	COMM (R/A/C AUTO AMP - A/C CONT)
34	BR	COMM (R/A/C AUTO AMP - A/C CONT)
35	BR	COMM (R/A/C AUTO AMP - A/C CONT)
36	BR	COMM (R/A/C AUTO AMP - A/C CONT)
37	BR	COMM (R/A/C AUTO AMP - A/C CONT)
38	BR	COMM (R/A/C AUTO AMP - A/C CONT)
39	BR	COMM (R/A/C AUTO AMP - A/C CONT)
40	Y	SENSOR GROUND

Connector No.	M5B
Connector Name	A/C AUTO AMP
Connector Type	TH40FW-NH



Terminal No.	Color Of Wire	Signal Name [Specification]
1	O	BATTERY POWER SUPPLY
2	G	IGNITION POWER SUPPLY
3	SB	DOOR MOTOR POWER SUPPLY
4	BR	LAN SIGNAL
5	BR	REAR WINDOW DEFOGGER F/B SIGNAL
6	R/L	ILLUMINATION POWER SUPPLY
7	Y	ACC POWER SUPPLY
8	R/L	FRONT BLOWER MOTOR CONTROL SIGNAL
9	V	REAR BLOWER MOTOR CONTROL SIGNAL
10	W	A/C ON SIGNAL
11	W	ENGINE COOLANT TEMPERATURE SIGNAL
12	O	GROUND
13	O	GROUND
14	B/W	REAR WINDOW DEFOGGER ON SIGNAL
15	B/W	REAR BLOWER MOTOR CONTROL SIGNAL
16	B	COMM (R/A/C AUTO AMP - A/C CONT)
17	R	COMM (R/A/C AUTO AMP - A/C CONT)
18	BR	COMM (R/A/C AUTO AMP - A/C CONT)
19	BR	COMM (R/A/C AUTO AMP - A/C CONT)
20	BR	COMM (R/A/C AUTO AMP - A/C CONT)
21	BR	COMM (R/A/C AUTO AMP - A/C CONT)
22	BR	COMM (R/A/C AUTO AMP - A/C CONT)
23	BR	COMM (R/A/C AUTO AMP - A/C CONT)
24	BR	COMM (R/A/C AUTO AMP - A/C CONT)
25	BR	COMM (R/A/C AUTO AMP - A/C CONT)
26	BR	COMM (R/A/C AUTO AMP - A/C CONT)
27	BR	COMM (R/A/C AUTO AMP - A/C CONT)
28	BR	COMM (R/A/C AUTO AMP - A/C CONT)
29	BR	COMM (R/A/C AUTO AMP - A/C CONT)
30	BR	COMM (R/A/C AUTO AMP - A/C CONT)
31	BR	COMM (R/A/C AUTO AMP - A/C CONT)
32	BR	COMM (R/A/C AUTO AMP - A/C CONT)
33	BR	COMM (R/A/C AUTO AMP - A/C CONT)
34	BR	COMM (R/A/C AUTO AMP - A/C CONT)
35	BR	COMM (R/A/C AUTO AMP - A/C CONT)
36	BR	COMM (R/A/C AUTO AMP - A/C CONT)
37	BR	COMM (R/A/C AUTO AMP - A/C CONT)
38	BR	COMM (R/A/C AUTO AMP - A/C CONT)
39	BR	COMM (R/A/C AUTO AMP - A/C CONT)
40	Y	SENSOR GROUND

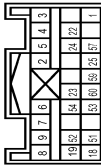
JRMWE3396GB

POWER SUPPLY ROUTING CIRCUIT

< WIRING DIAGRAM >

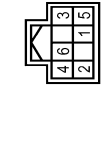
IGNITION POWER SUPPLY

Connector No.	M59
Connector Name	AIR BAG DIAGNOSIS SENSOR UNIT
Connector Type	M12SEY-EX



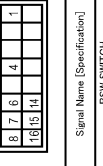
Terminal No.	Color Of Wire	Signal Name [Specification]
1	BR	IGN
2	BR	GRND
3	GR	DR2 (+)
4	Y	DR1 (-)DR2 (-)
5	V	DR2 (+)
6	SB	AS1 (-)
7	BR	AS1 (-)
8	G	AS2 (+)
9	R	AS2 (-)
18	W/L	EC2S (+)
19	W/R	EC2S (-)
22	GR	GROUND
23	BR	AIRBAG W/L
24	BR	SEATBELT W/L
25	LG	GUTTERBELT TALE
26	BR	SEATBELT W/L
32	BC	SIDE SENS RH2
33	L/R	SIDE SENS LH2
54	L/G	SIDE SENS LH2
57	G	DEPLOYMENT INFORMATION OUTPUT
59	L	CAN-H
60	P	CAN-L

Connector No.	M60
Connector Name	BSW SWITCH
Connector Type	TH08EL-NH



Terminal No.	Color Of Wire	Signal Name [Specification]
1	BR	-
2	BL	-
3	BL	-
4	B/R	-
5	G	-
6	Y	-

Connector No.	M61
Connector Name	BSW CONTROL MODULE
Connector Type	TH16FW-NH



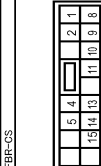
Terminal No.	Color Of Wire	Signal Name [Specification]
1	BR	BSW SWITCH
4	Y	BSW GN IND
6	B/W	GROUND
7	L	BSW COMM-H
8	Y	BSW COMM-L
14	L	CAN-H
15	P	CAN-L
18	G	IGNITION

Connector No.	M64
Connector Name	IGNIZER
Connector Type	TH04FW-NH

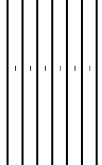


Terminal No.	Color Of Wire	Signal Name [Specification]
1	G	IGN
2	B	GRND
4	GR	IGN-IGN OFF

Connector No.	M70
Connector Name	WIRE TO WIRE
Connector Type	NS16FR-CS

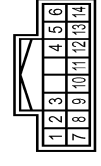


Connector No.	M121
Connector Name	BCM (BODY CONTROL MODULE)
Connector Type	TH40FB-NH



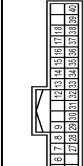
Terminal No.	Color Of Wire	Signal Name [Specification]
1	V	-
2	R	-
4	P	-
5	L	-
8	G	-
9	V	-
10	R/L	-
11	SB	-
13	Y	-
14	P	-
15	W	-

Connector No.	M103
Connector Name	COMBINATION SWITCH
Connector Type	TH16FW-NH



Terminal No.	Color Of Wire	Signal Name [Specification]
1	G	RR [With automatic drive positioner]
1	G	RR [Without automatic drive positioner]
2	X	OUTPUT 4
3	BS	FR [With automatic drive positioner]
3	P	FR [Without automatic drive positioner]
4	W	IGN
5	O	OUTPUT 3
6	B	GROUND [With automatic drive positioner]
6	B/Y	GROUND [Without automatic drive positioner]
7	GR	INPUT 3
8	LG	OUTPUT 5
9	SB	INPUT 2
10	W	INPUT 4
11	R	INPUT 1
12	L	OUTPUT 1
13	Y	OUTPUT 2
14	G	OUTPUT 2

Connector No.	M121
Connector Name	BCM (BODY CONTROL MODULE)
Connector Type	TH40FB-NH



Terminal No.	Color Of Wire	Signal Name [Specification]
1	W	REAR WINDOW DEF RELAY COUNT
2	LG	COMBI SW INPUT 5
3	Y	COMBI SW INPUT 4

JRMWE3397GB

A
B
C
D
E
F
G
H
I
J
K
L
M
N
O
P

PG

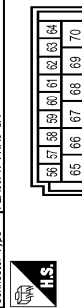
POWER SUPPLY ROUTING CIRCUIT

< WIRING DIAGRAM >

IGNITION POWER SUPPLY

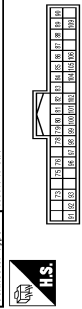
Terminal No.	Color Of Wire	Signal Name [Specification]
1	G	COMB SW INPUT 3
2	G	COMB SW INPUT 2
3	G	COMB SW INPUT 1
4	W	KEY CYL UNLK SW
5	W	KEY CYL UNLK SW (Without automatic sliding door)
6	Y	PW SW COM1 (With automatic sliding door)
7	Y	KEY CYL LOCK SW
8	Y	STOP LAMP SW 1
9	Y	DOOR LK & UNLK SW LOCK
10	Y	DOOR LK & UNLK SW UNLOCK
11	BR	OPTICAL SENS
12	BR	DOOR LK & UNLK SW UNLOCK
13	BR	DOOR LK & UNLK SW UNLOCK
14	L	REAR WINDOW DEF SW
15	W	REAR WINDOW DEF SW
16	Y	DIMMER
17	Y	SENS PWR SPLY
18	Y	RECEIV SENS GRD
19	R	RECEIV SENS GRD
20	R	RECEIV SENS GRD
21	V	SECURITY ALD CONT
22	V	SECURITY ALD CONT
23	P	DOUBLE UNLK
24	P	DOUBLE UNLK
25	W	MATS ANT AMP
26	W	MATS ANT AMP
27	O	A/G ON
28	BR	BLOWER FAN ON
29	P	HAZARD SW
30	L	BK DOOR OPNR SW
31	O	BK DOOR OPNR SW
32	Y	DR DOOR UNLK SENS
33	W	DR DOOR UNLK SENS
34	GR	COMB SW OUTPUT 5
35	GR	COMB SW OUTPUT 4
36	SB	COMB SW OUTPUT 3
37	SB	COMB SW OUTPUT 2
38	P	COMB SW OUTPUT 1
39	G	COMB SW OUTPUT 1
40	P	RECEIV COM1
41	L	CAN-H
42	L	CAN-L

Connector No.	M123
Connector Name	BCM (BODY CONTROL MODULE)
Connector Type	FEA09FW-FHAP-SA



Terminal No.	Color Of Wire	Signal Name [Specification]
52	G	PUSH-BTN IGN SW ILL GND
53	BR	KEY MGRN SUTZER
54	BR	ACC RELAY CONT OUTPUT
55	P	ACC RELAY CONT OUTPUT
56	GR	STARTER RELAY CONT
57	GR	STARTER RELAY CONT
58	O	AIR BAG
59	SB	PASS DOOR UNLK OUTPUT
60	V	TURN SIG LH OUTPUT
61	G	TURN SIG RH OUTPUT
62	W	TURN SIG RH OUTPUT
63	R	STEP LAMP CONT
64	LG	INT ROOM LAMP CONT
65	V	CRANK REG
66	V	ALL DOOR LOCK OUTPUT
67	B	DR DOOR UNLK OUTPUT
68	B	GROUND
69	L	FW PWR SPLY (BAT)
70	L	FW PWR SPLY (BAT)
71	L	BAT

Connector No.	M124
Connector Name	BCM (BODY CONTROL MODULE)
Connector Type	TH40FW-NH



Terminal No.	Color Of Wire	Signal Name [Specification]
73	Y	ON IND
74	Y	ON IND
75	SB	DR DOOR REG SW
76	V	PUSH SW
77	P	DR DOOR ANT+
78	P	DR DOOR ANT+
79	V	DR DOOR ANT+
80	R	PASS DOOR ANT+
81	L	PASS DOOR ANT+
82	G	REAR EMP ANT+
83	R	REAR EMP ANT+
84	R	REAR EMP ANT+
85	BR	ROOM ANT1-
86	LS	ROOM ANT1-
87	V	ROOM ANT2+
88	W	Luggage ROOM ANT+
89	B	Luggage ROOM ANT+
90	P	PUSH-BTN IGN SW ILL PWR SPLY
91	SB	LOCK IND

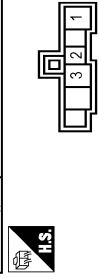
Terminal No.	Color Of Wire	Signal Name [Specification]
92	G	PUSH-BTN IGN SW ILL GND
93	BR	KEY MGRN SUTZER
94	BR	ACC RELAY CONT OUTPUT
95	P	ACC RELAY CONT OUTPUT
96	GR	STARTER RELAY CONT
97	GR	STARTER RELAY CONT
98	LG	IGN RELAY (F/B) CONT OUTPUT
99	GR	IGN RELAY (F/B) CONT OUTPUT
100	GR	PASS DOOR REG SW
101	BR	IGN PWR SPLY 2
102	Y	P/N POSITION
103	L	CVT SHIFT SELECT PWR SPLY
104	L	STOP LAMP SW 2
105	GR	BLWHT RELAY CONT OUTPUT
106	O	ACC IND
107	GR	ACC IND

Connector No.	M125
Connector Name	TEL ADAPTER UNIT
Connector Type	TH32FW-NH



Terminal No.	Color Of Wire	Signal Name [Specification]
2	V	BATTERY
3	V	ACC
4	G	IGNITION
5	G	GROUND
6	B/W	MICROPHONE SIGNAL
7	W/L	MICROPHONE SIGNAL
8	SHIELD	MICROPHONE GND
9	B	SOUND SIGNAL (+)
10	W	SOUND SIGNAL (-)
11	G	STRG SW A
12	V	STRG SW B
13	V	STRG SW GND
14	GR	STRG SW GND
17	R	STRG SW B
18	SB	STRG SW B
19	W	STRG SW B
20	B/W	CONTROL SIGNAL
21	B/W	CONTROL SIGNAL
22	B/W	CONTROL SIGNAL
23	B/W	CONTROL SIGNAL
24	B/W	CONTROL SIGNAL
27	B/W	CONTROL SIGNAL
28	SB	VEHICLE SPEED (G-PULSE)
29	W/R	MICROPHONE VCC

Connector No.	M140
Connector Name	FRONT BLOWER MOTOR
Connector Type	NS30FEW-M3



Terminal No.	Color Of Wire	Signal Name [Specification]
1	B	--
2	W	--
3	L	--

Connector No.	M174
Connector Name	AV CONTROL UNIT
Connector Type	TH32FW-NH



Terminal No.	Color Of Wire	Signal Name [Specification]
76	LG	AV COMM (L)
77	V	AV COMM (R)
78	LG	AV COMM (L)
79	SB	AV COMM (H)
80	P	CAN-L
81	L	CAN-H
82	W	SW GND
87	R	SOUND SIGNAL (+)
88	W	SOUND SIGNAL (-)
89	W	HEADPHONE SOUND SIGNAL RH (+)
90	W	HEADPHONE SOUND SIGNAL RH (-)
91	Y	VEHICLE SPEED SIGNAL (G-PULSE)
92	W	PARKING BRAKE
94	BR	REVERSE
95	G	IGNITION
96	BR	DISK EJECT SIGNAL
102	W	AUX SOUND SIGNAL GND

POWER SUPPLY ROUTING CIRCUIT

< WIRING DIAGRAM >

IGNITION POWER SUPPLY

103	B	AUX SOUND SIGNAL LH (+)
104	B	AUX SOUND SIGNAL RH (+)
105	GR	SHIELD (LH/RH/C)
106	P	HEADPHONE SOUND SIGNAL LH (+)
107	L	HEADPHONE SOUND SIGNAL LH (-)

Connector No.	M180
Connector Name	AV CONTROL UNIT
Connector Type	TH132FW-NH



Terminal No.	Color Of Wire	Signal Name [Specification]
65	W	PARKING BRAKE
67	W	COMPOSITE IMAGE SIGNAL GND
68	R	COMPOSITE IMAGE SIGNAL
71	SHIELD	SHIELD
72	Y	MICROPHONE VCC
73	G	COMM. (CONT-DISP)
74	P	CAN-L
75	LG	AV COMM (L)
76	GR	AV COMM (R)
78	C	DIMMER SIGNAL
80	C	IGNITION
81	BR	REVERSE
82	Y	VEHICLE SPEED SIGNAL (G-PULSE)
83	SHIELD	SHIELD
84	B	COMPOSITE IMAGE SYNC
87	BR	MICROPHONE SIGNAL
88	SHIELD	SHIELD
89	R	COMM. (DISP-CONT)
90	L	CAN-H
91	SB	AV COMM (H)
92	V	AV COMM (H)

Connector No.	MZ12
Connector Name	HEATED SEAT SWITCH (PASSENGER SIDE)
Connector Type	INS06FR-CS



Terminal No.	Color Of Wire	Signal Name [Specification]
1	G	-
2	SP	-
3	Y	-
4	B/P	-
5	R/L	-
6	B/R	-

Connector No.	MZ13
Connector Name	HEATED SEAT SWITCH (DRIVER SIDE)
Connector Type	INS06FW-CS



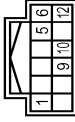
Terminal No.	Color Of Wire	Signal Name [Specification]
1	G	-
2	P	-
3	SB	-
4	B/P	-
5	R/L	-
6	B/R	-

Connector No.	MZ53
Connector Name	AROUND VIEW MONITOR CONTROL UNIT
Connector Type	TH140FW-NH



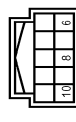
Terminal No.	Color Of Wire	Signal Name [Specification]
1	B	GND
2	Y	REAR CAMERA IMAGE SIGNAL
3	C	IGNITION SIGNAL
4	V	REVERSE SIGNAL
6	P	CAN-H
10	L	CAN-L
12	L	SHIELD
23	SHIELD	SHIELD
24	Y	REAR CAMERA IMAGE SIGNAL
25	B	REAR CAMERA GND
26	R	REAR CAMERA POWER SUPPLY
27	SHIELD	SHIELD
28	W	REAR CAMERA IMAGE SIGNAL
29	B	SIDE CAMERA DRIVER SIDE GND
30	R	SIDE CAMERA DRIVER SIDE POWER SUPPLY
31	SHIELD	SHIELD
32	Y	SIDE CAMERA DRIVER SIDE IMAGE SIGNAL
33	R	SIDE CAMERA PASSENGER SIDE GND
34	R	SIDE CAMERA PASSENGER SIDE POWER SUPPLY
35	SHIELD	SHIELD
36	W	SIDE CAMERA PASSENGER SIDE IMAGE SIGNAL
37	B	FRONT CAMERA GND
38	R	FRONT CAMERA POWER SUPPLY
39	SHIELD	SHIELD
40	W	FRONT CAMERA IMAGE SIGNAL

Connector No.	R16
Connector Name	REAR A/C CONTROL
Connector Type	TH112FW-NH



Terminal No.	Color Of Wire	Signal Name [Specification]
1	B	GROUND
3	B	ILL. (With auto A/C)
5	R/L	ILL. (With auto A/C)
6	B	ILL. (With auto A/C)
8	BR/R	RX (With manual A/C)
9	V	RX (With auto A/C)
10	BR	TX
12	G	IGN

Connector No.	R25
Connector Name	AUTO ANTI-DAZZLING INSIDE MIRROR
Connector Type	TH116FB-NH



Terminal No.	Color Of Wire	Signal Name [Specification]
6	V	-
8	G	-
10	BR	-

JRMWE3399GB

A
B
C
D
E
F
G
H
I
J
K
L
N
O
P

PG

POWER SUPPLY ROUTING CIRCUIT

< WIRING DIAGRAM >

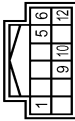
IGNITION POWER SUPPLY

Connector No.	153B
Connector Name	REAR DISPLAY UNIT
Connector Type	1H132FW-NH



Terminal No.	Color Of Wire	Signal Name [Specification]
1	L/G	HEADPHONE SOUND SIGNAL RH (-)
2	L/G	HEADPHONE SOUND SIGNAL RH (+)
3	Y	HEADPHONE SOUND SIGNAL LH (-)
4	BR	HEADPHONE SOUND SIGNAL LH (+)
5	SHIELD	SHIELD
6	SHIELD	SHIELD
7	L/G	COMPOSITE IMAGE SIGNAL
8	L/R	COMPOSITE IMAGE SIGNAL GND
18	SHIELD	SHIELD
19	R	AV COMM (L)
20	Y	AV COMM (L)
21	G	AV COMM (R)
22	BR	AV COMM (R)
25	LG	IGN
27	LG	IGN
28	Y	ACC
29	P	BAT
30	P	BAT
31	B	GROUND
32	B	GROUND

Connector No.	R101
Connector Name	REAR A/C CONTROL
Connector Type	1H12FW-NH



Terminal No.	Color Of Wire	Signal Name [Specification]
1	Y	GROUND
5	Y	ILL-
6	B	ILL-
8	G	RX
9	G	RX
10	SB	TX
12	P	IGN

JRMWE3400GB

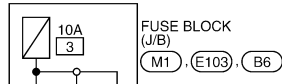
POWER SUPPLY ROUTING CIRCUIT

< WIRING DIAGRAM >

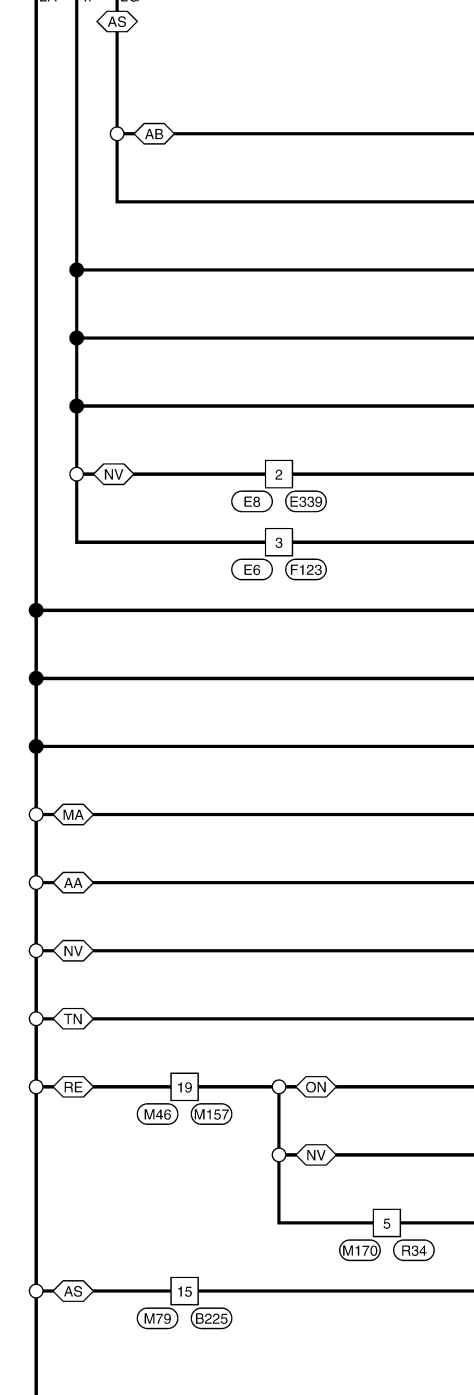
Wiring Diagram - IGNITION POWER SUPPLY FUSE No. 3 -

INFOID:000000009651761

IGNITION POWER SUPPLY FUSE No. 3



- AA : With auto A/C
- MA : With manual A/C
- RE : With rear entertainment
- OE : Without rear entertainment
- NV : With NAVI
- ON : Without NAVI
- TN : With telephone without NAVI
- AB : With automatic back door
- AS : With automatic slide door



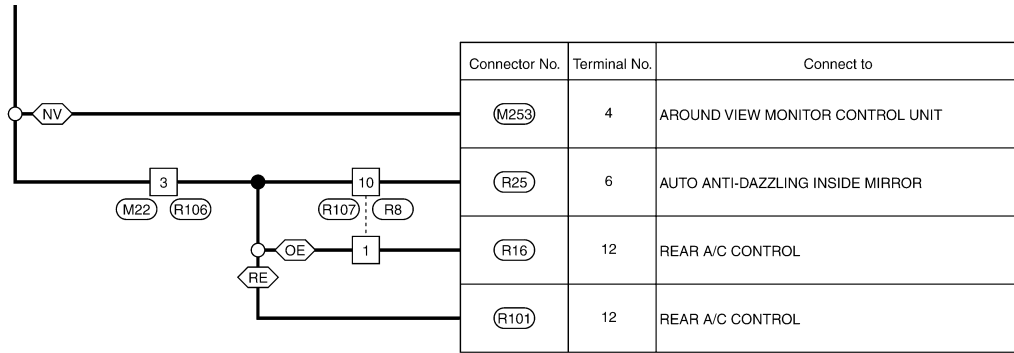
Connector No.	Terminal No.	Connect to
B8	7	AUTOMATIC BACK DOOR CONTROL MODULE
B45	6	SLIDING DOOR CONTROL UNIT LH
E34	5	POWER STEERING CONTROL MODULE
E109	1	ASC D BRAKE SWITCH
E115	3	STOP LAMP SWITCH
E315	1	EXHAUST GAS / OUTSIDE ODOR DETECTING SENSOR
F11	1	ELECTRONIC CONTROLLED ENGINE MOUNT CONTROL SOLENOID VALVE
M4	8	DATA LINK CONNECTOR
M24	2	AC 120V OUTLET MAIN SWITCH
M30	4	STEERING ANGLE SENSOR
M49	2	A/C AMP.
M50	2	A/C AUTO AMP.
M64	1	IONIZER
M138	3	TEL ADAPTER UNIT
M174	95	AV CONTROL UNIT
M180	80	AV CONTROL UNIT
R36	26	REAR DISPLAY UNIT
B247	6	SLIDING DOOR CONTROL UNIT RH

JRMWE3401GB

A
B
C
D
E
F
G
H
I
J
K
L
PG
N
O
P

POWER SUPPLY ROUTING CIRCUIT

< WIRING DIAGRAM >



2013/07/10

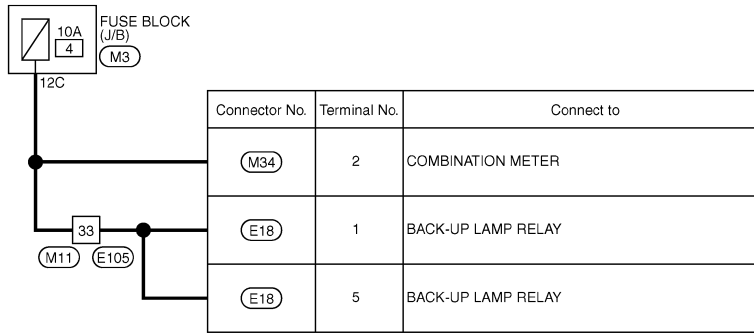
JRMWE3402GB

POWER SUPPLY ROUTING CIRCUIT

< WIRING DIAGRAM >

Wiring Diagram - IGNITION POWER SUPPLY FUSE No. 4 - IGNITION POWER SUPPLY FUSE No. 4

INFOID:000000009651762



A
B
C
D
E
F
G
H
I
J
K
L
PG
N
O
P

2010/12/13

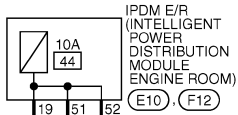
JCMWA773GB

POWER SUPPLY ROUTING CIRCUIT

< WIRING DIAGRAM >

Wiring Diagram - IGNITION POWER SUPPLY FUSE No. 44 - IGNITION POWER SUPPLY FUSE No. 44

INFOID:000000009651763



Connector No.	Terminal No.	Connect to
(F37)	1	FUEL INJECTOR No. 1
(F38)	1	FUEL INJECTOR No. 2
(F39)	1	FUEL INJECTOR No. 3
(F40)	1	FUEL INJECTOR No. 4
(F41)	1	FUEL INJECTOR No. 5
(F42)	1	FUEL INJECTOR No. 6
(E16)	109	ECM

2010/12/13

JCMWA7776GB

POWER SUPPLY ROUTING CIRCUIT

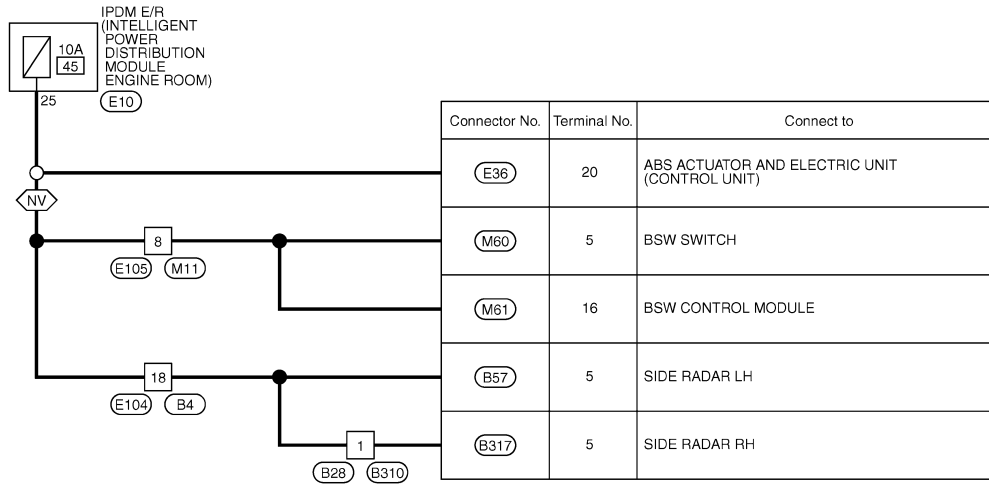
< WIRING DIAGRAM >

Wiring Diagram - IGNITION POWER SUPPLY FUSE No. 45 -

INFOID:000000009651764

IGNITION POWER SUPPLY FUSE No. 45

 : With NAVI



2010/12/13

JCMWA7779GB

PG

N

O

P

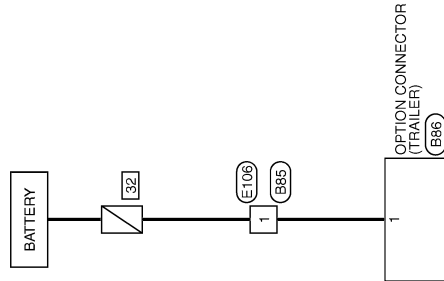
OPTION HARNESS

< WIRING DIAGRAM >

OPTION HARNESS

Wiring Diagram

INFOID:000000009651765



OPTION HARNESS

2010/12/13

JCMWA7683GB

OPTION HARNESS

< WIRING DIAGRAM >

A
B
C
D
E
F
G
H
I
J
K
L
N
O
P

OPTION HARNESS

Connector No.	BS5
Connector Name	WIRE TO WIRE
Connector Type	M01FW-GY-PS



Terminal No.	Color Of Wire	Signal Name [Specification]
1	P	-

Terminal No.	Color Of Wire	Signal Name [Specification]
1	O	-



Connector No.	BS6
Connector Name	OPTION CONNECTOR (TRAILER)
Connector Type	M01FW-LC

Terminal No.	Color Of Wire	Signal Name [Specification]
1	O	-



Connector No.	E108
Connector Name	WIRE TO WIRE
Connector Type	M01FW-GY-LC

JRMWE3403GB

PG

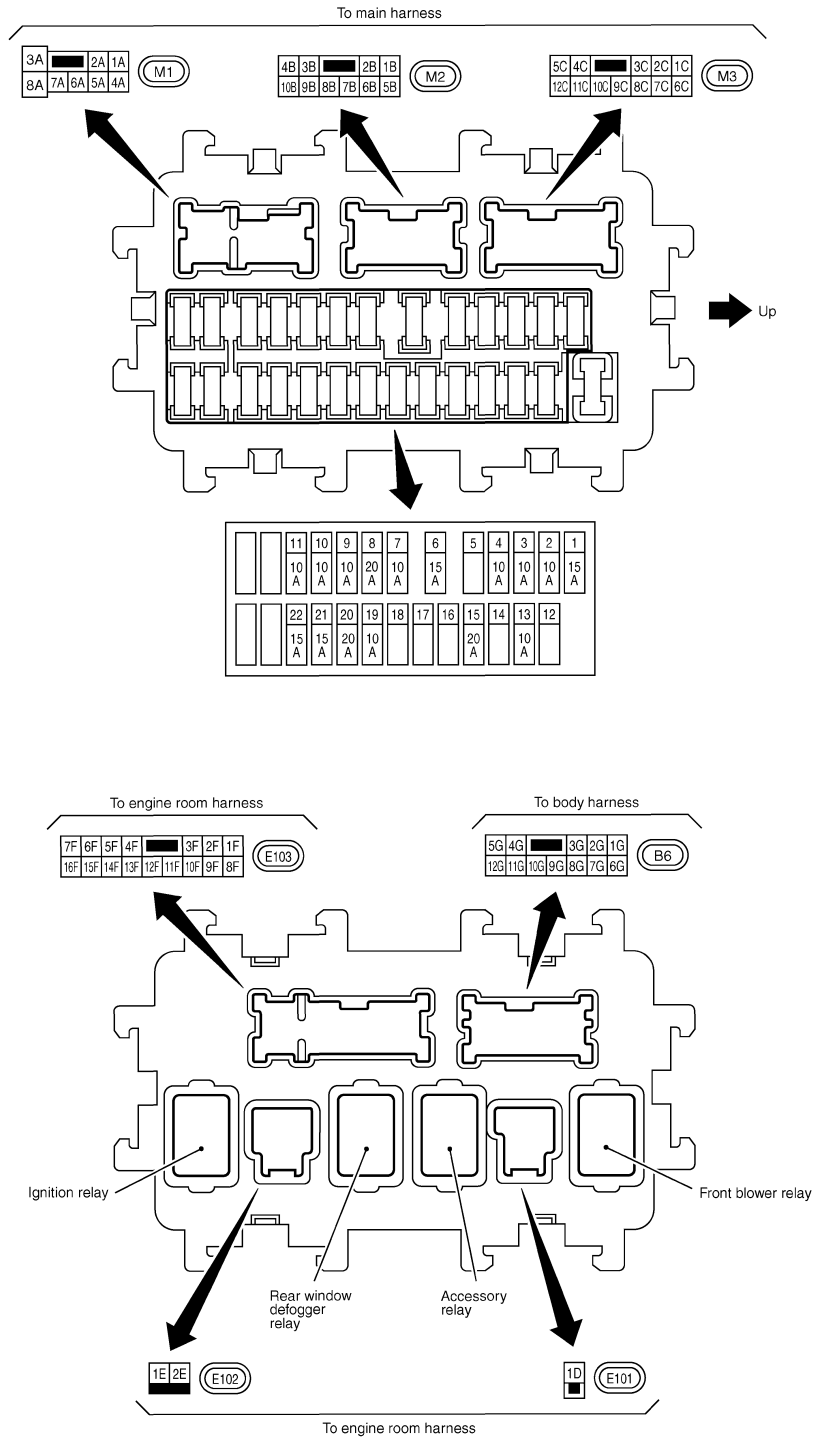
FUSE BLOCK - JUNCTION BOX (J/B)

< WIRING DIAGRAM >

FUSE BLOCK - JUNCTION BOX (J/B)

Fuse, Connector and Terminal Arrangement

INFOID:000000009651766



2012/07/19

JRMWD3581GB

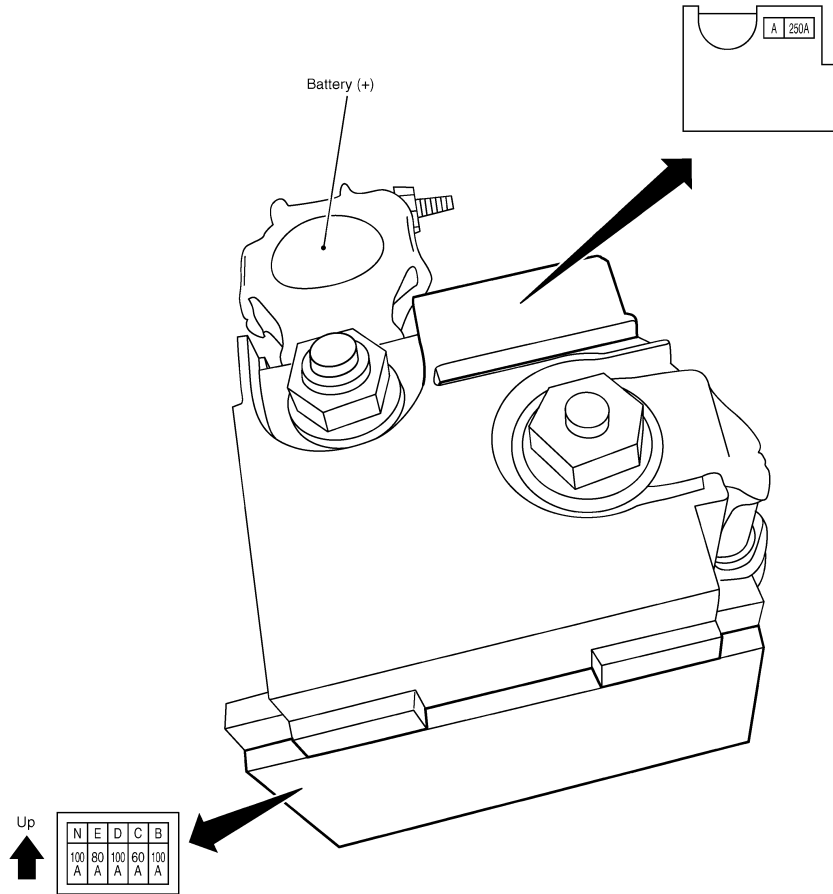
FUSE, FUSIBLE LINK AND RELAY BOX

< WIRING DIAGRAM >

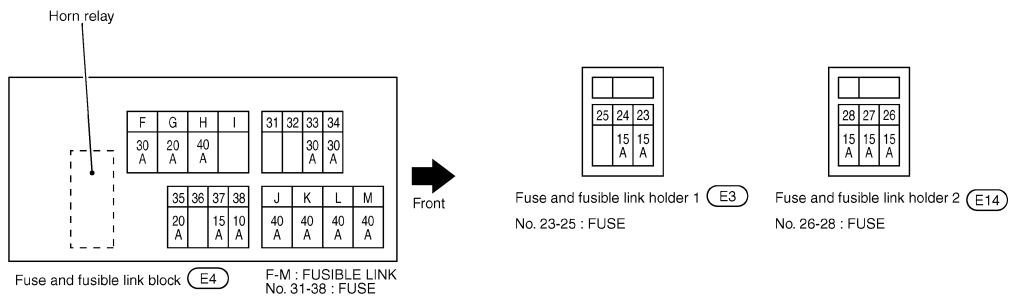
FUSE, FUSIBLE LINK AND RELAY BOX

Fuse and Fusible Link Arrangement

INFOID:000000009651767



Battery terminal with fusible link (E1), (E2), (E13), (F3)



2010/12/13

JCMWA7784GB

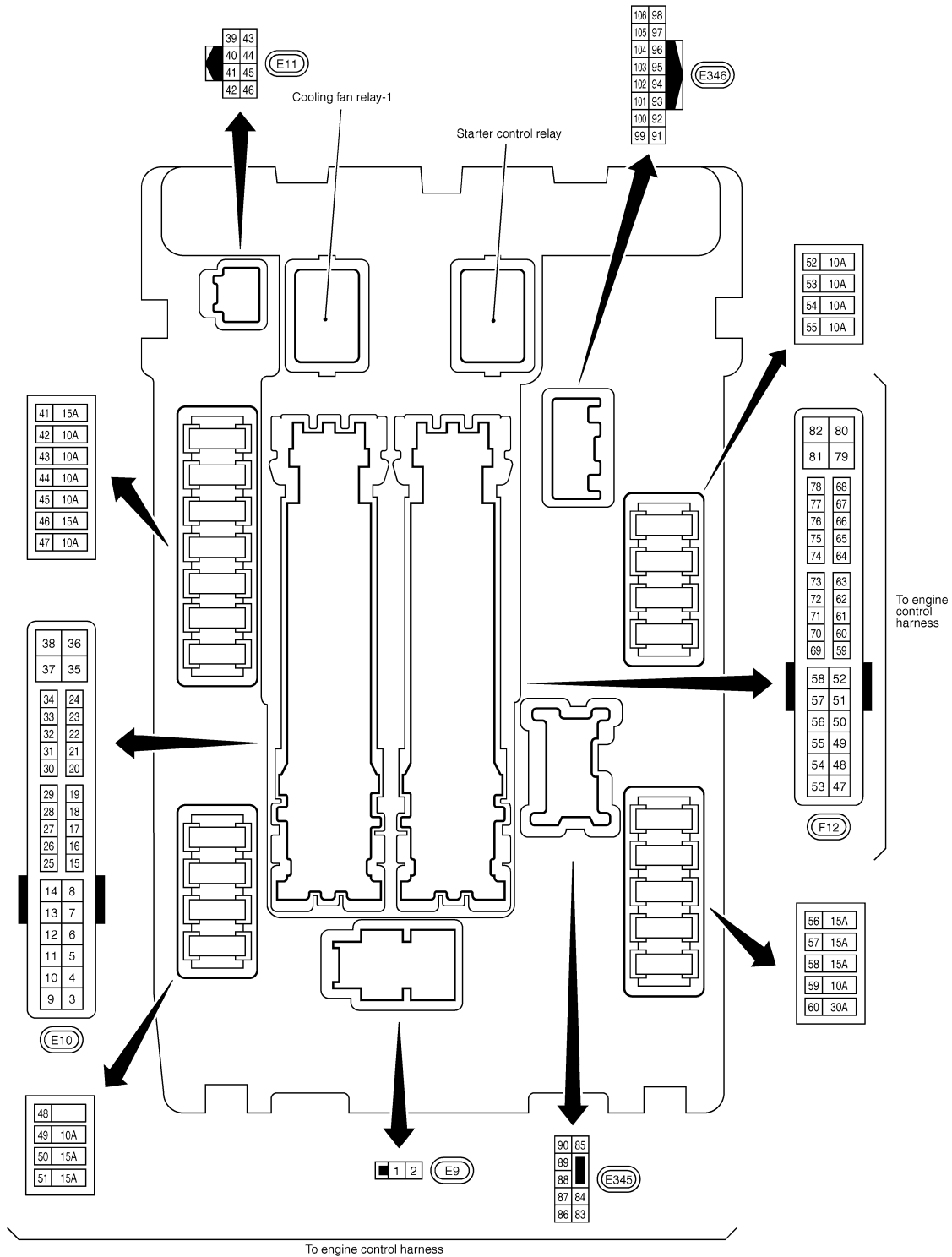
IPDM E/R (INTELLIGENT POWER DISTRIBUTION MODULE ENGINE ROOM)

< WIRING DIAGRAM >

IPDM E/R (INTELLIGENT POWER DISTRIBUTION MODULE ENGINE ROOM)

Fuse, Connector and Terminal Arrangement

INFOID:000000009651768



2010/12/13

JCMWA7785GB

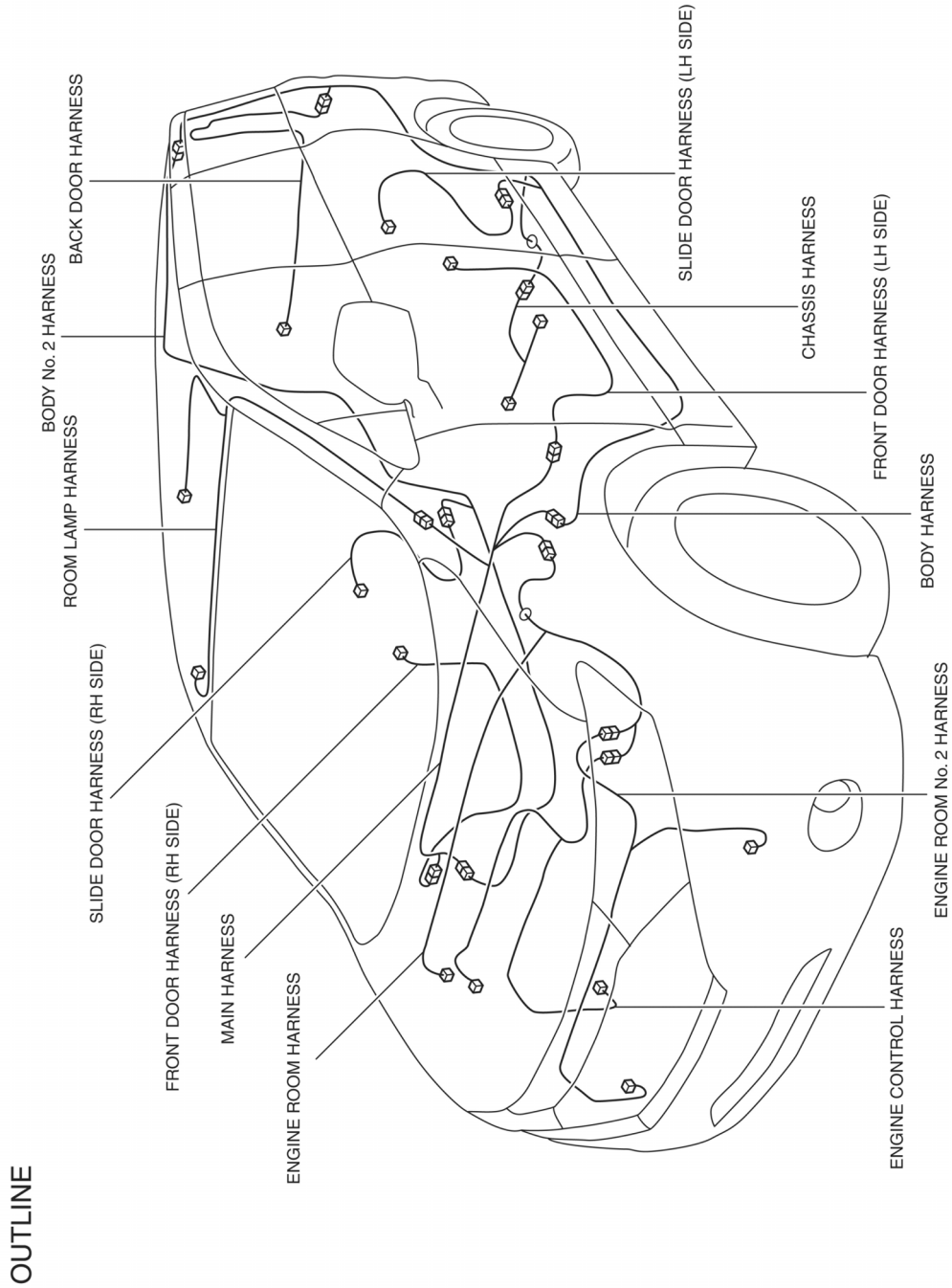
HARNESS LAYOUT

< WIRING DIAGRAM >

HARNESS LAYOUT

Outline

INFOID:000000009651770



OUTLINE

2012/07/19

JRMIC1972GB

A
B
C
D
E
F
G
H
I
J
K
L
M
N
O
P

PG

HARNESS LAYOUT

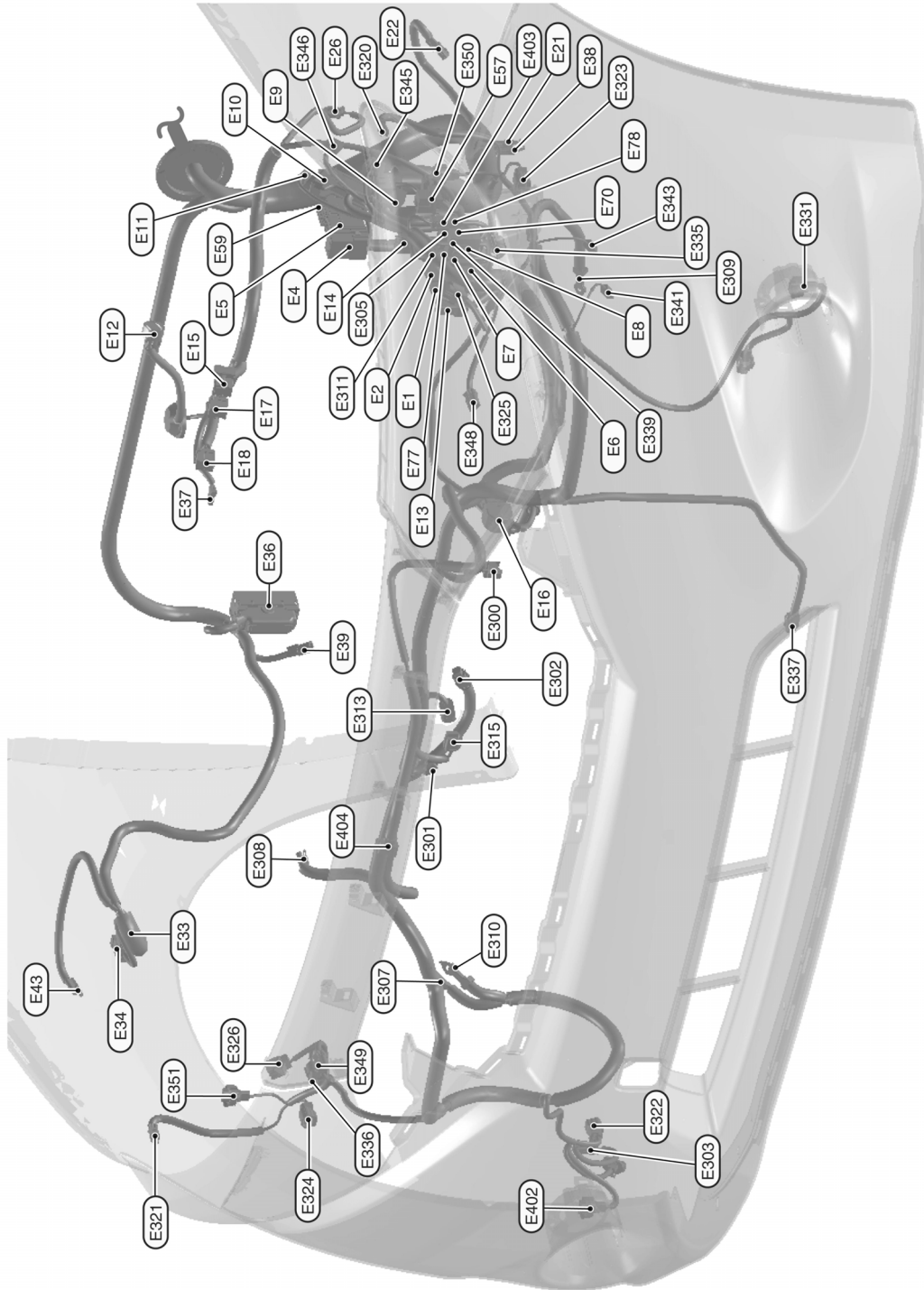
< WIRING DIAGRAM >

Engine Room Harness

INFOID:000000009651771

ENGINE COMPARTMENT

ENGINE ROOM HARNESS /
Engine Compartment



2012/07/19

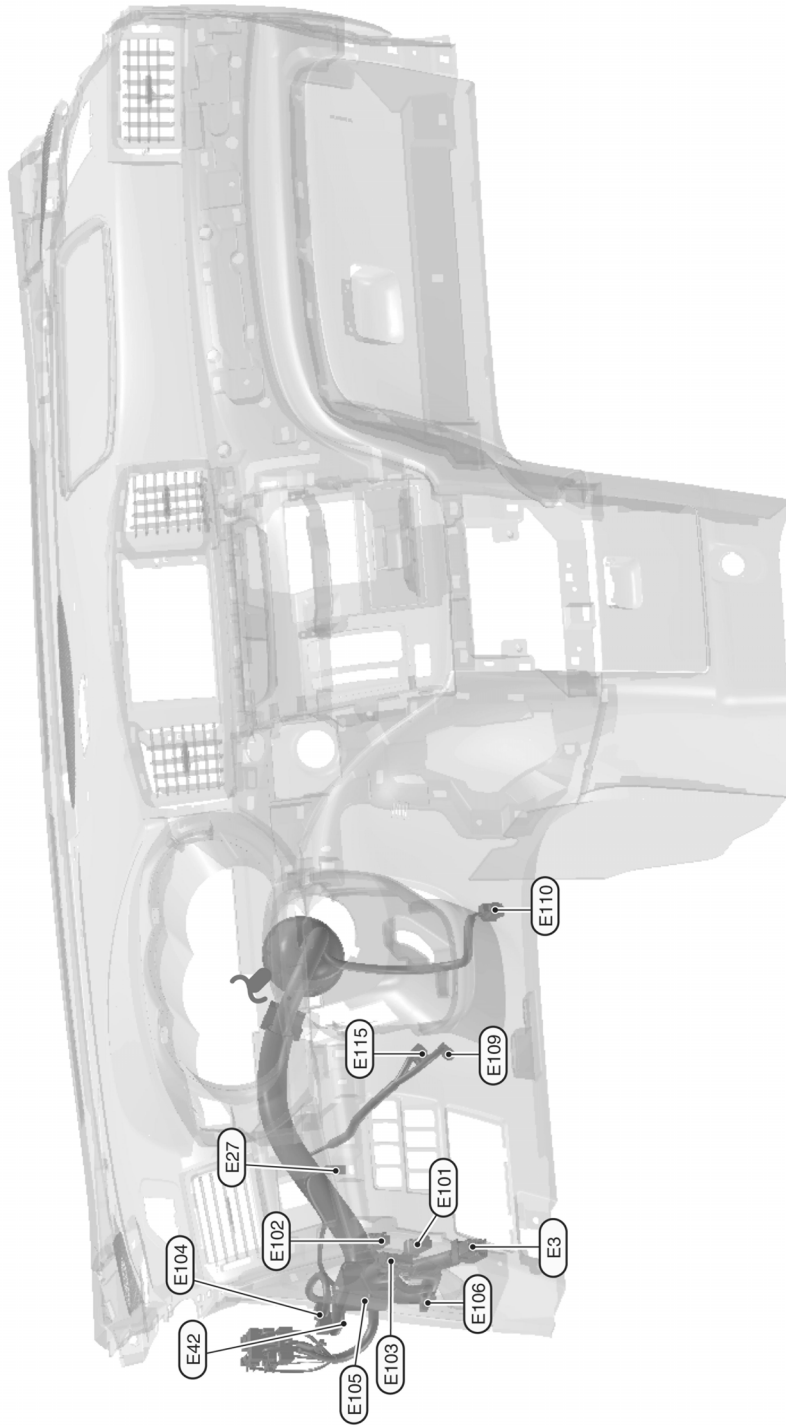
JRMIC1973GB

HARNES LAYOUT

< WIRING DIAGRAM >

PASSENGER COMPARTMENT

Passenger Compartment



JRMIC1974GB
2012/07/19

A
B
C
D
E
F
G
H
I
J
K
L
PG
N
O
P

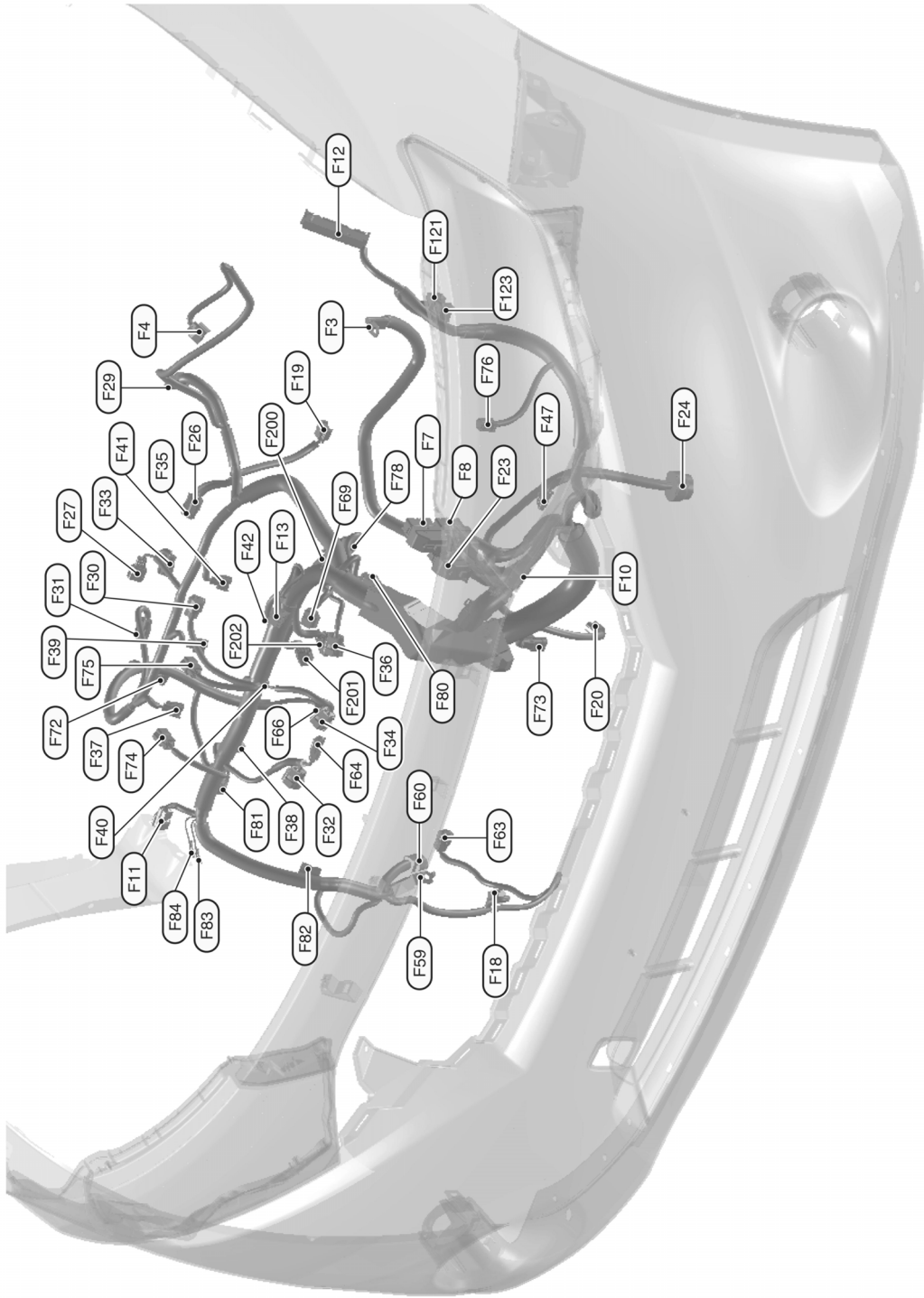
HARNES LAYOUT

< WIRING DIAGRAM >

Engine Control Harness

INFOID:000000009651772

ENGINE CONTROL HARNESS



2012/07/19

JRMIC1975GB

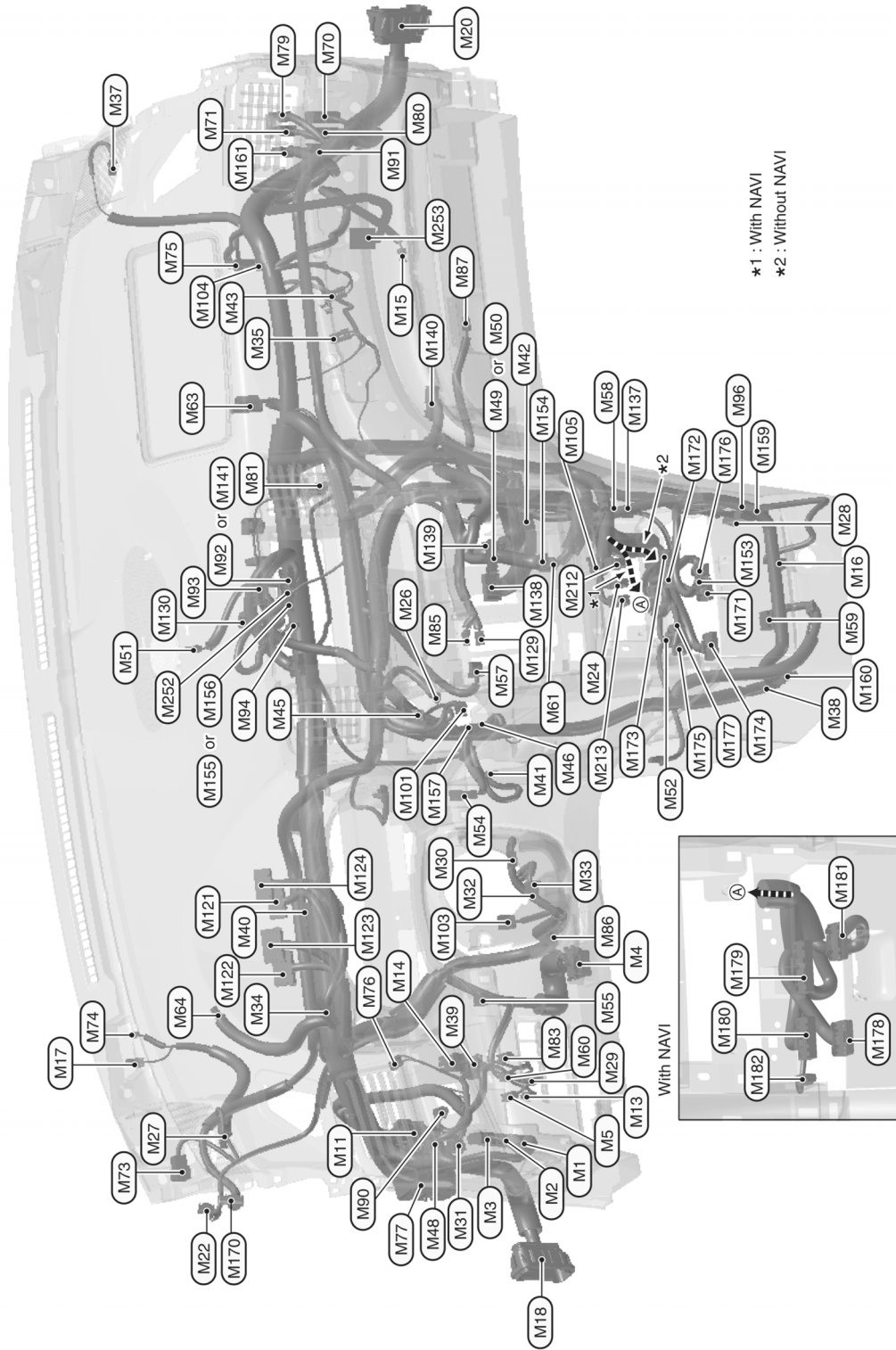
HARNESS LAYOUT

< WIRING DIAGRAM >

Main Harness

INFOID:000000009651773

MAIN HARNESS



A
B
C
D
E
F
G
H
I
J
K
L
N
O
P

PG

2012/07/19

JRMIC1976GB

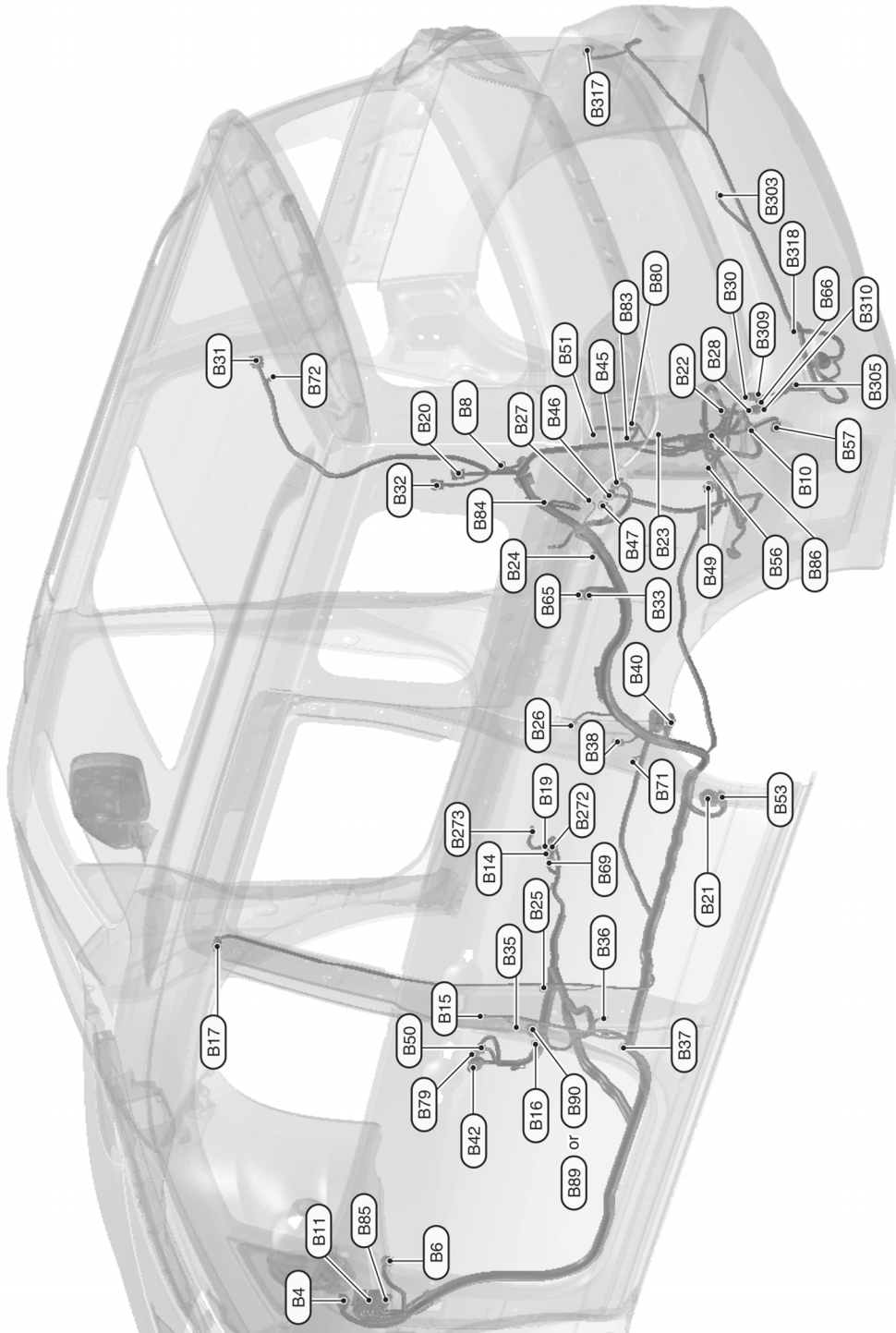
HARNES LAYOUT

< WIRING DIAGRAM >

Body Harness

INFOID:000000009651774

BODY HARNESS



BODY HARNESS

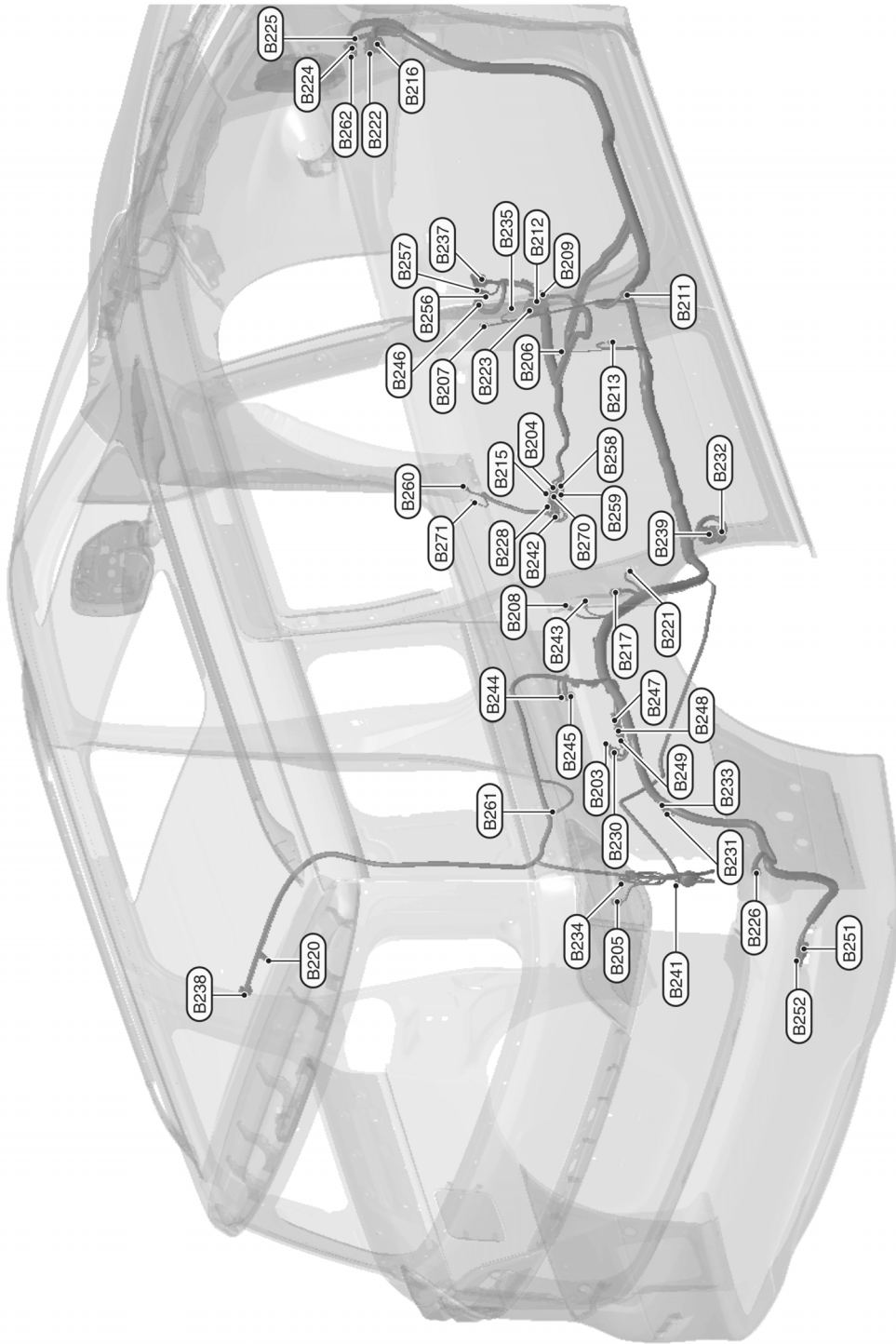
2013/07/10

JRMIC3433GB

HARNES LAYOUT

< WIRING DIAGRAM >
BODY No.2 HARNESS

BODY No. 2 HARNESS



A
B
C
D
E
F
G
H
I
J
K
L
PG
N
O
P

2012/07/19

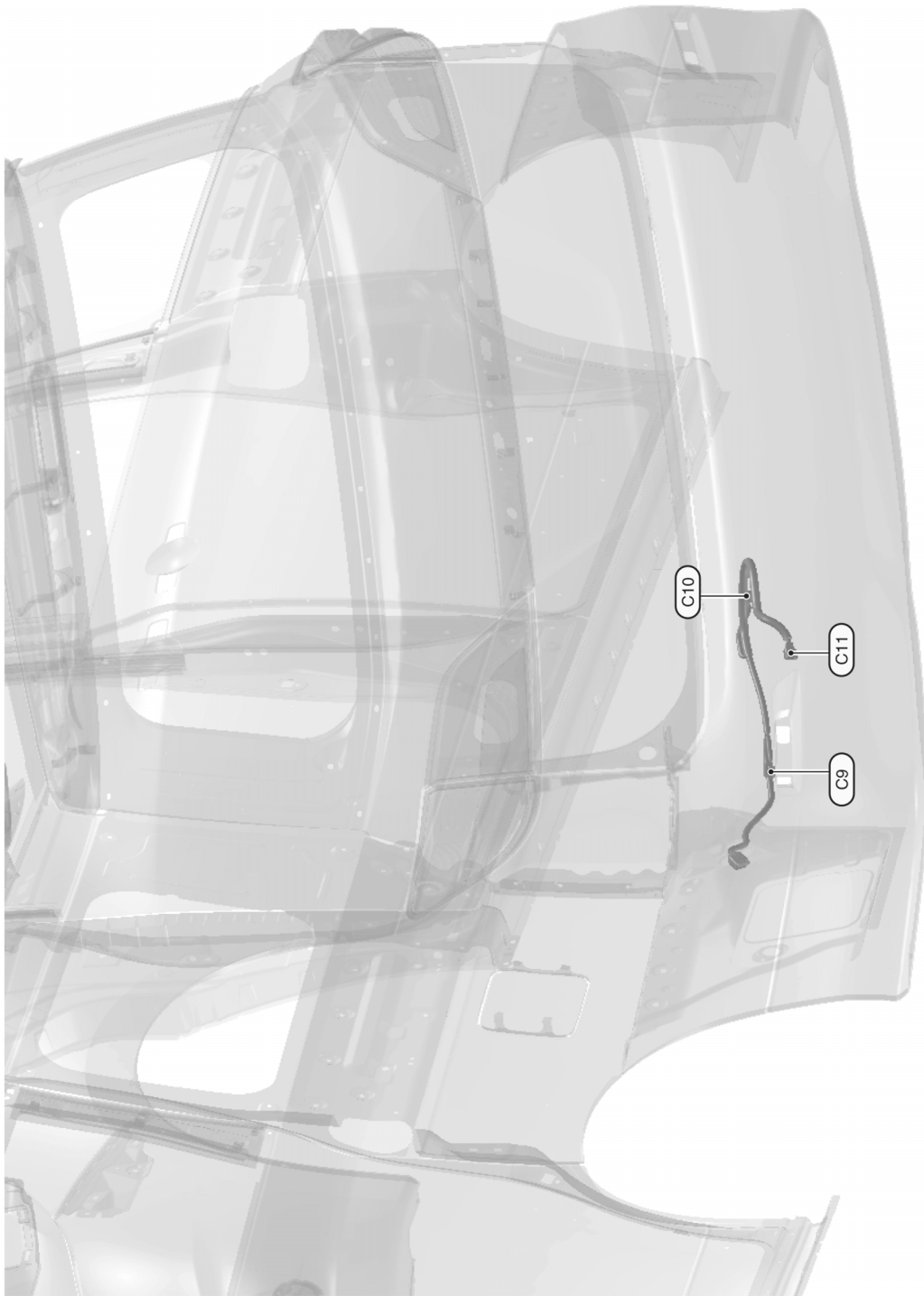
JRMIC1978GB

HARNESS LAYOUT

< WIRING DIAGRAM >

Chassis Harness

INFOID:000000009651775



CHASSIS HARNESS

2012/07/19

JRMIC1979GB

HARNES LAYOUT

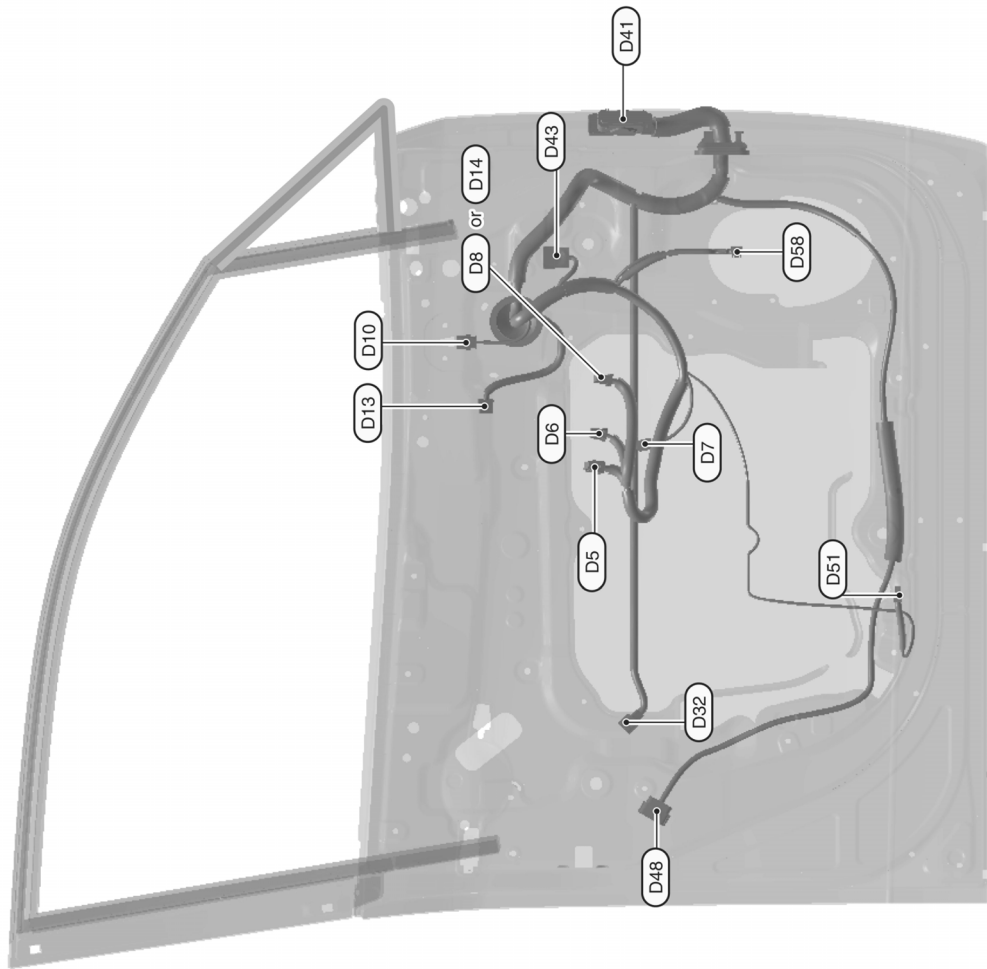
< WIRING DIAGRAM >

Door Harness

INFOID:000000009651776

FRONT DOOR HARNESS (LH SIDE)

FRONT DOOR HARNESS (LH SIDE)



A
B
C
D
E
F
G
H
I
J
K
L
PG
N
O
P

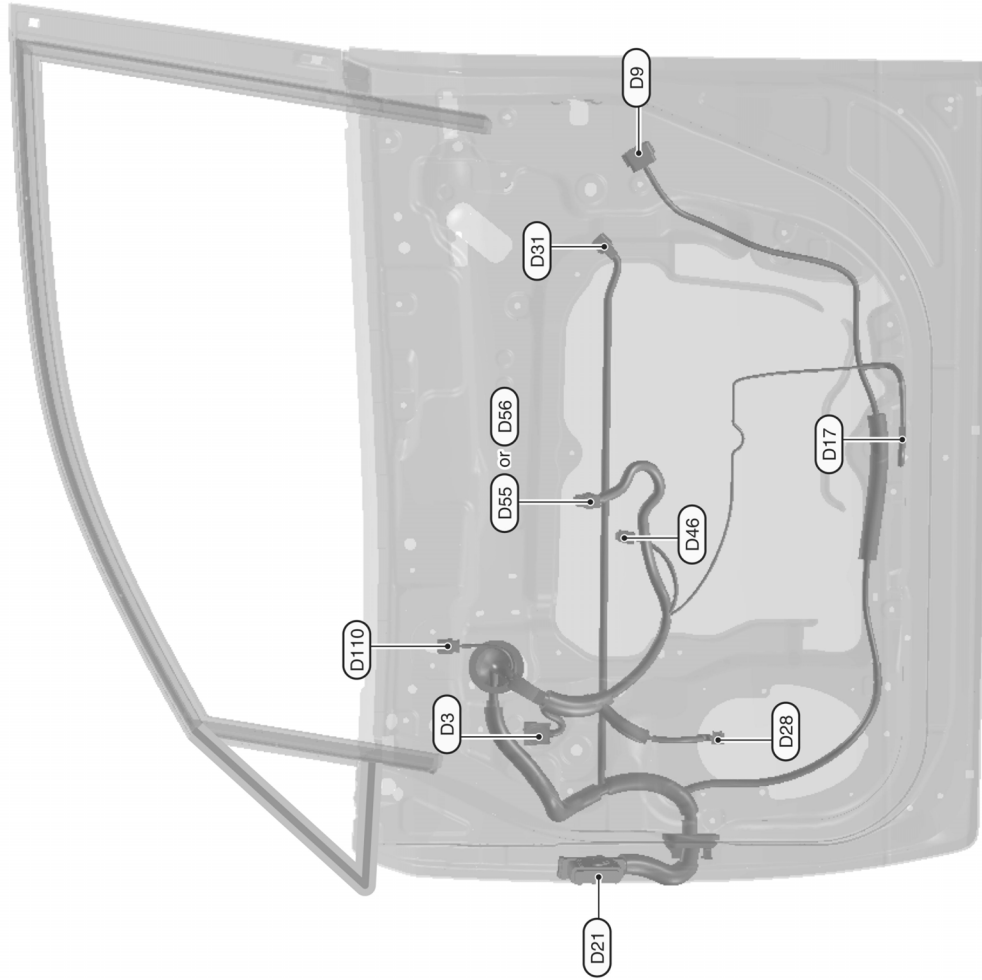
JRMIC1980GB
2012/07/19

HARNESS LAYOUT

< WIRING DIAGRAM >

FRONT DOOR HARNESS (RH SIDE)

FRONT DOOR HARNESS (RH SIDE)



JRMIC1981GB

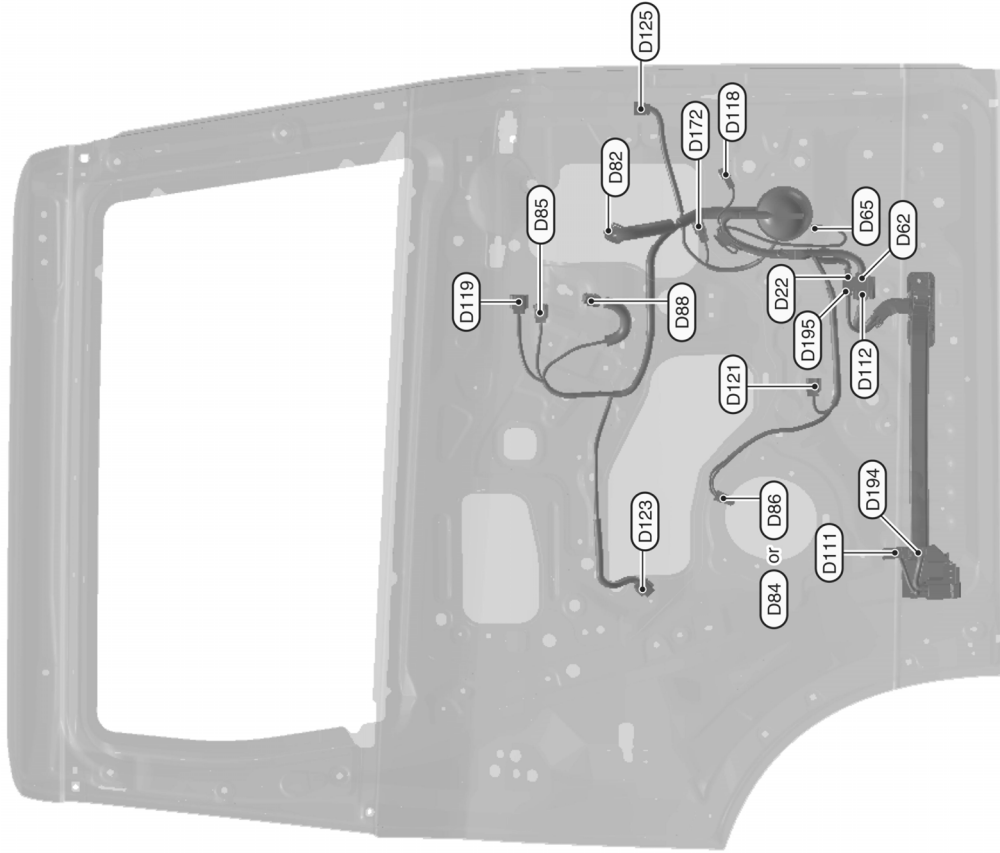
2012/07/19

HARNES LAYOUT

< WIRING DIAGRAM >

SLIDE DOOR HARNES (LH SIDE)

SLIDE DOOR HARNES (LH SIDE)



JRMIC1982GB
2012/07/19

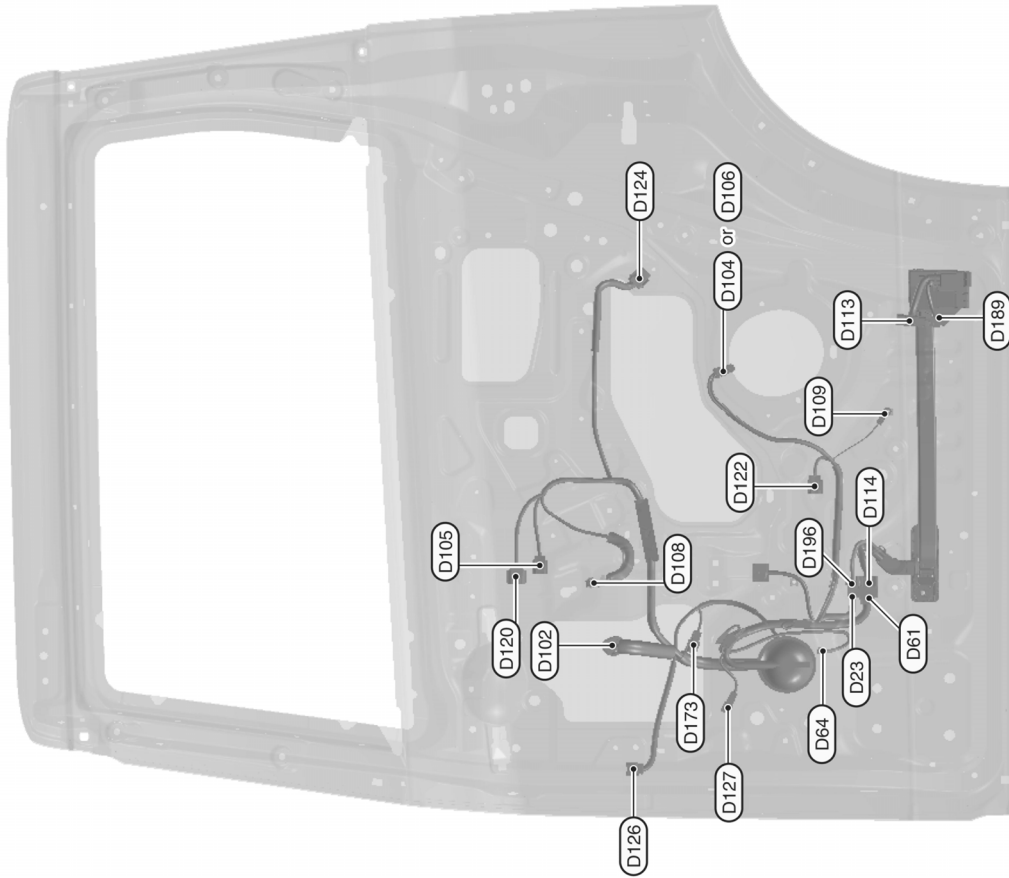
A
B
C
D
E
F
G
H
I
J
K
L
PG
N
O
P

HARNESS LAYOUT

< WIRING DIAGRAM >

SLIDE DOOR HARNESS (RH SIDE)

SLIDE DOOR HARNESS (RH SIDE)



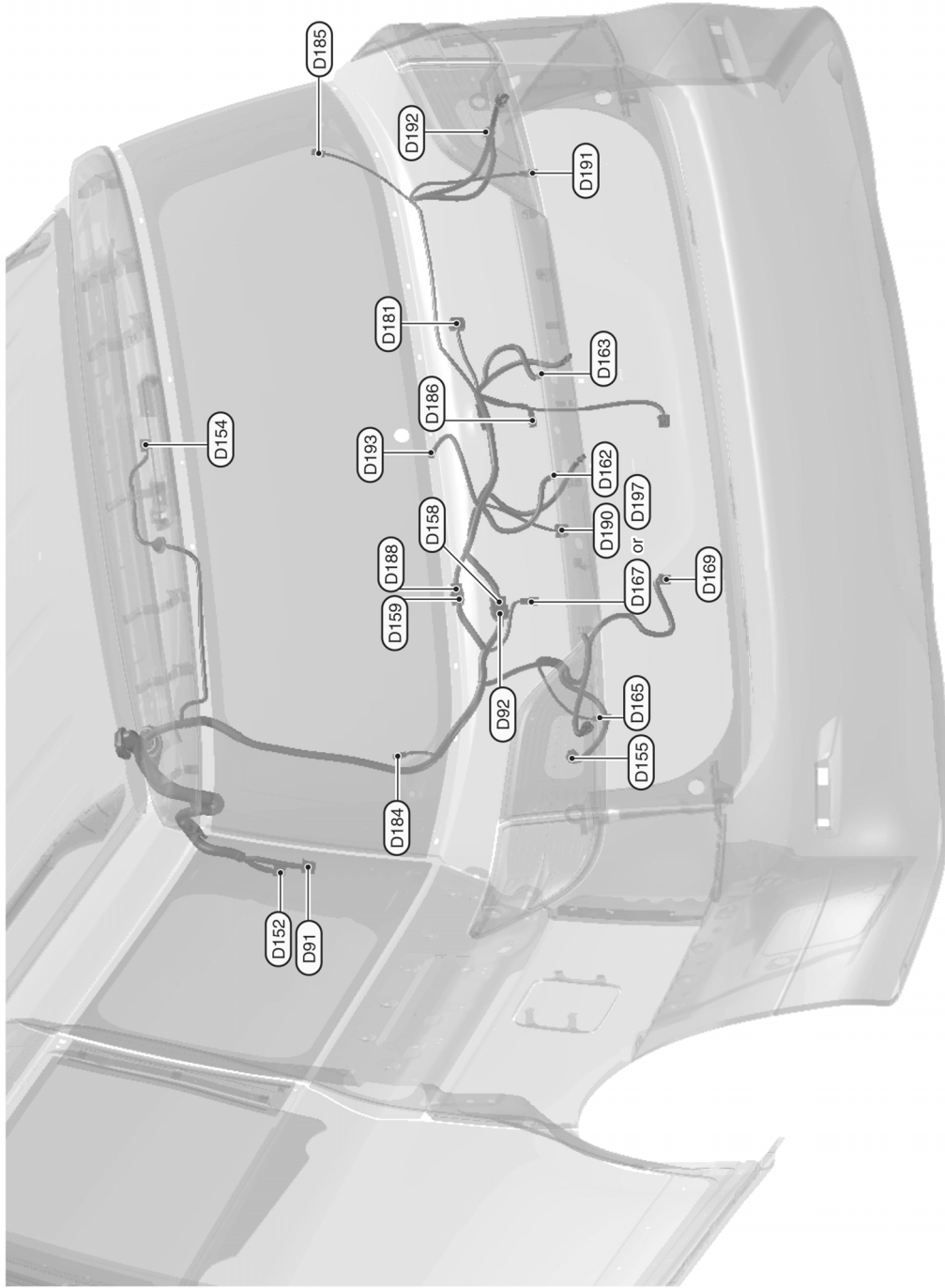
JRMIC1983GB

2012/07/19

HARNES LAYOUT

< WIRING DIAGRAM >
BACK DOOR HARNES

BACK DOOR HARNES



2012/07/19
JRMIC1984GB

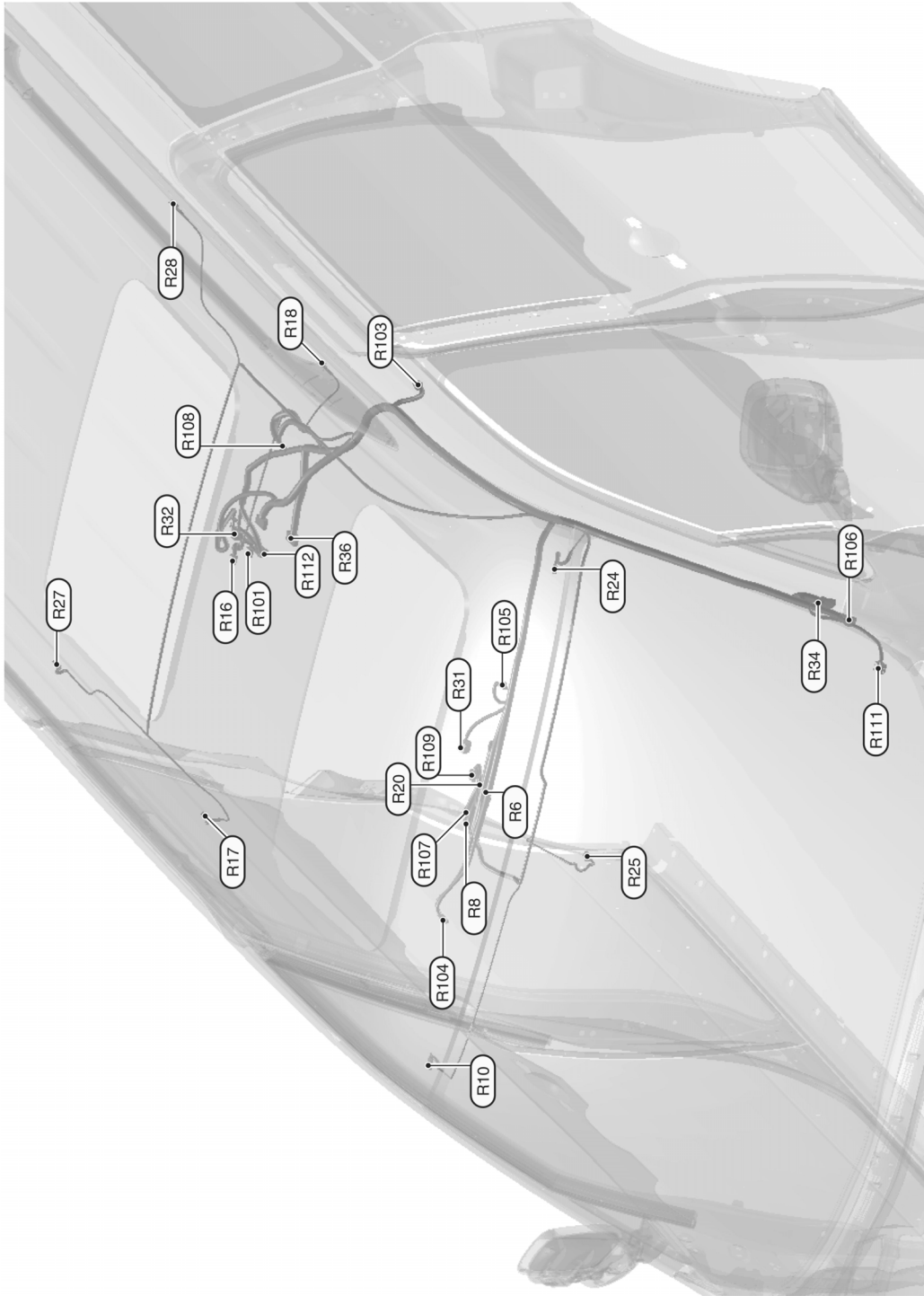
A
B
C
D
E
F
G
H
I
J
K
L
PG
N
O
P

HARNES LAYOUT

< WIRING DIAGRAM >

Room Lamp Harness

INFOID:000000009651777



ROOM LAMP HARNESS

2012/07/19

JRMIC1985GB

BATTERY INSPECTION

< BASIC INSPECTION >

BASIC INSPECTION

BATTERY INSPECTION

How to Handle Battery

INFOID:000000009651786

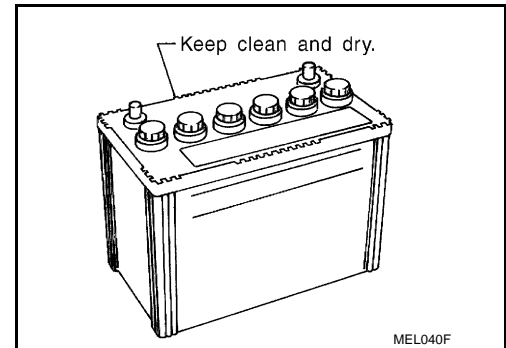
CAUTION:

- If it becomes necessary to start the engine with a booster battery and jumper cables, use a 12-volt booster battery.
- After connecting battery cables, ensure that they are tightly clamped to battery terminals for good contact.
- Never add distilled water through the hole used to check specific gravity.

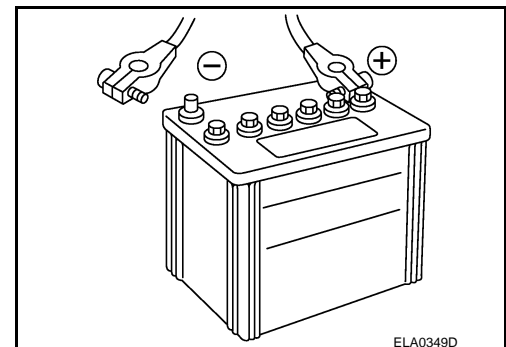
METHODS OF PREVENTING OVER-DISCHARGE

The following precautions must be taken to prevent over-discharging a battery.

- The battery surface (particularly its top) should always be kept clean and dry.
- The terminal connections should be clean and tight.
- At every routine maintenance, check the electrolyte level.
This also applies to batteries designated as "low maintenance" and "maintenance-free".



- When the vehicle is not going to be used over a long period of time, disconnect the battery cable from the negative terminal. (If the vehicle has an extended storage fuse switch, turn it off.)



Work Flow

INFOID:000000009651787

BATTERY DIAGNOSIS WITH EXP-800 NI OR GR8-1200 NI

To diagnose and confirm the condition of the battery, use the following special service tools:

- EXP-800 NI Battery and electrical diagnostic analyzer
- GR8-1200 NI Multitasking battery and electrical diagnostic station

NOTE:

Refer to the applicable instruction manual for proper battery diagnosis procedures.

BATTERY DIAGNOSIS WITHOUT EXP-800 NI OR GR8-1200 NI

Check Electrolyte Level

WARNING:

Never allow battery fluid to come in contact with skin, eyes, fabrics, or painted surfaces. After touching a battery, never touch or rub your eyes until you have thoroughly washed your hands. If acid contacts eyes, skin or clothing, immediately flush with water for 15 minutes and seek medical attention. Failure to do this may cause personal injury or damage to clothing or the painted surfaces.

A
B
C
D
E
F
G
H
I
J
K
L

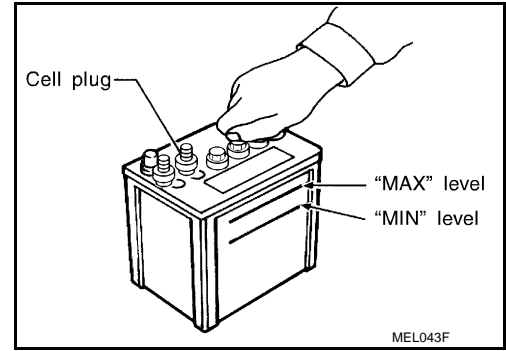
PG

N
O
P

BATTERY INSPECTION

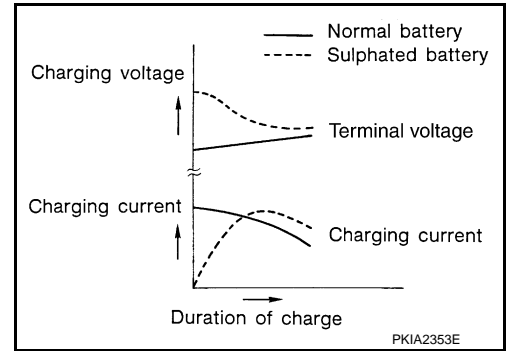
< BASIC INSPECTION >

- Remove the cell plug using a suitable tool.
- Add distilled water up to the MAX level.



SULPHATION

- A battery will be completely discharged if it is left unattended for a long time and the specific gravity will become less than 1.100. This may result in sulphation on the cell plates.
- To determine if a battery has been “sulphated”, note its voltage and current when charging it. As shown in the figure, less current and higher voltage are observed in the initial stage of charging sulphated batteries.
- A sulphated battery may sometimes be brought back into service by means of a long, slow charge, 12 hours or more, followed by a battery capacity test.



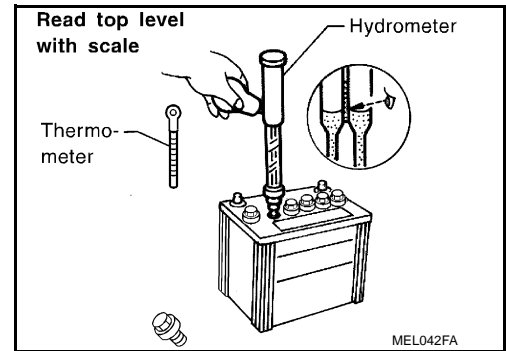
Specific Gravity Check

NOTE:

Check the charge condition of the battery.

Periodically check the specific gravity of the electrolyte. Keep a close check on charge condition to prevent over-discharge.

1. Read hydrometer and thermometer indications at eye level.
2. Use the chart below to correct your hydrometer reading according to electrolyte temperature.



Hydrometer Temperature Correction

Battery electrolyte temperature [°C (°F)]	Add to specific gravity reading
71 (160)	0.032
66 (150)	0.028
60 (140)	0.024
54 (130)	0.020
49 (120)	0.016
43 (110)	0.012
38 (100)	0.008
32 (90)	0.004
27 (80)	0
21 (70)	-0.004
16 (60)	-0.008
10 (50)	-0.012

BATTERY INSPECTION

< BASIC INSPECTION >

Battery electrolyte temperature [°C (°F)]	Add to specific gravity reading
4 (40)	-0.016
-1 (30)	-0.020
-7 (20)	-0.024
-12 (10)	-0.028
-18 (0)	-0.032

Corrected specific gravity	Approximate charge condition
1.260 - 1.280	Fully charged
1.230 - 1.250	3/4 charged
1.200 - 1.220	1/2 charged
1.170 - 1.190	1/4 charged
1.140 - 1.160	Almost discharged
1.110 - 1.130	Completely discharged

Charging The Battery

CAUTION:

- **Never “quick charge” a fully discharged battery.**
- **Keep the battery away from open flame while it is being charged.**
- **When connecting the charger, connect the leads first, then turn on the charger. Never turn on the charger first, as this may cause a spark.**
- **If battery electrolyte temperature rises above 55 °C (131 °F), stop charging. Always charge battery at a temperature below 55 °C (131 °F).**

Charging Rates (Standard Charge)

Approximate charge condition	Charge current (A)	Charge time (h)
Fully charged	7	2
3/4 charged		2.5
1/2 charged		5
1/4 charged		7.5
Almost discharged		9
Completely discharged		10

Charging Rates (Quick Charge)

Approximate charge condition	Charge current (A)	Charge time (h)
Fully charged	—	—
3/4 charged	16	0.5
1/2 charged	33	
1/4 charged		
Almost discharged	—	—
Completely discharged	—	

NOTE:

The ammeter reading on your battery charger will automatically decrease as the battery charges. This indicates that the voltage of the battery is increasing normally as the state of charge improves. The charging amps indicated above refer to initial charge rate.

- If, after charging, the specific gravity of any two cells varies more than 0.050, the battery should be replaced.

A
B
C
D
E
F
G
H
I
J
K
L
N
O
P

PG

FUSE INSPECTION

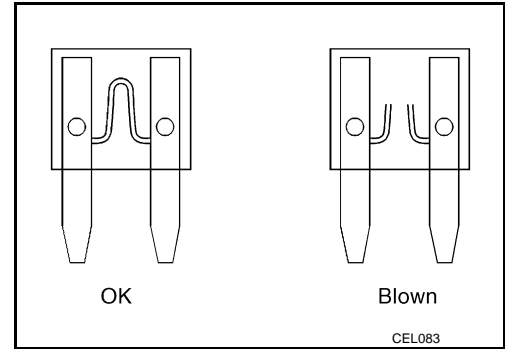
< BASIC INSPECTION >

FUSE INSPECTION

How To Check

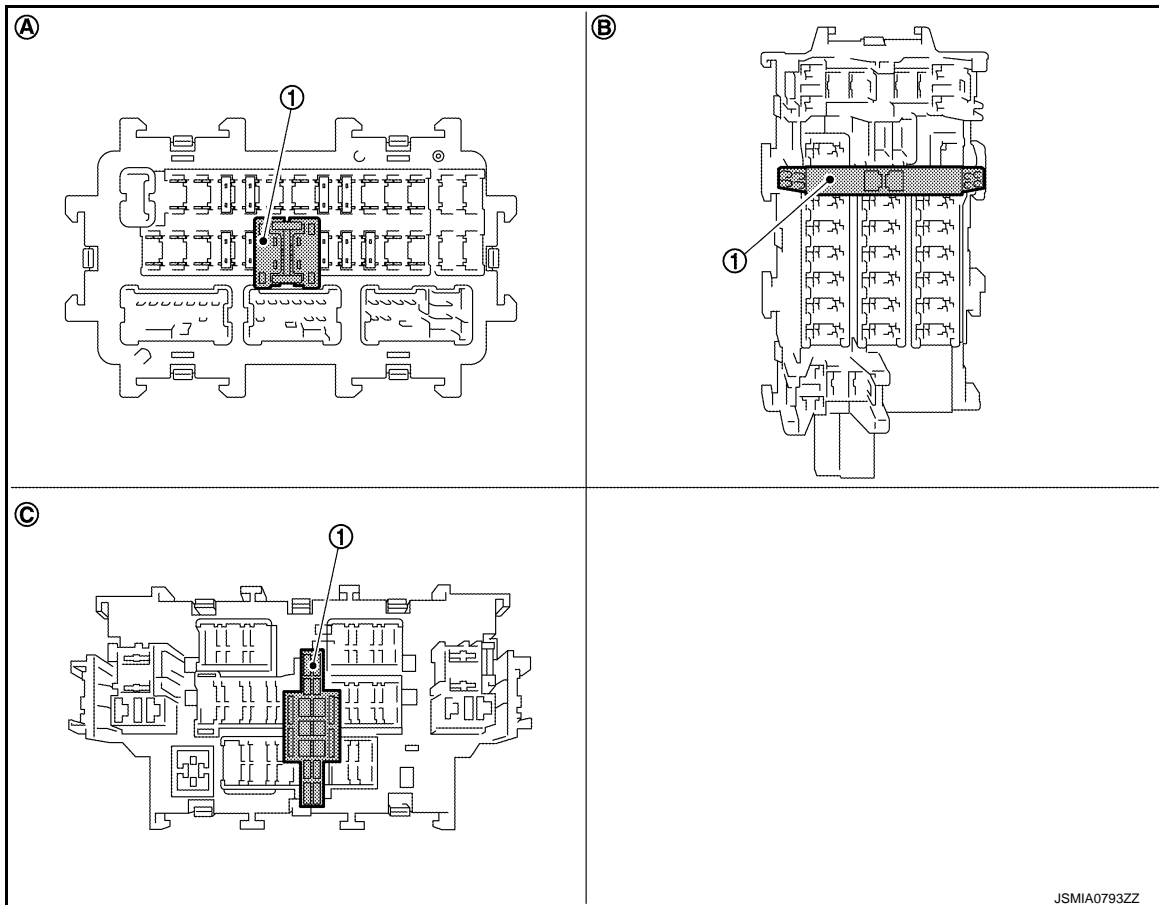
INFOID:000000009651788

- If fuse is blown, be sure to eliminate cause of malfunction before installing new fuse.
- Use fuse of specified rating. Never use fuse of more than specified rating.
- Do not partially install fuse; always insert it into fuse holder properly.
- Remove fuse for "ELECTRICAL PARTS (BAT)" if vehicle is not used for a long period of time.



EXTENDED STORAGE FUSE SWITCH (IF EQUIPPED)

The following switch may be mounted on the fuse block (Junction Box) for transportation and storage.



1. Extended storage fuse switch

A. Type A

B. Type B

C. Type C

- Remove the extended storage fuse switch when replacing the fuse of extended storage fuse switch.
- Remove the extended storage fuse switch if it causes the interference when the fuse or the other fuses is checked.

How To Extended Storage Fuse Switch ON/OFF

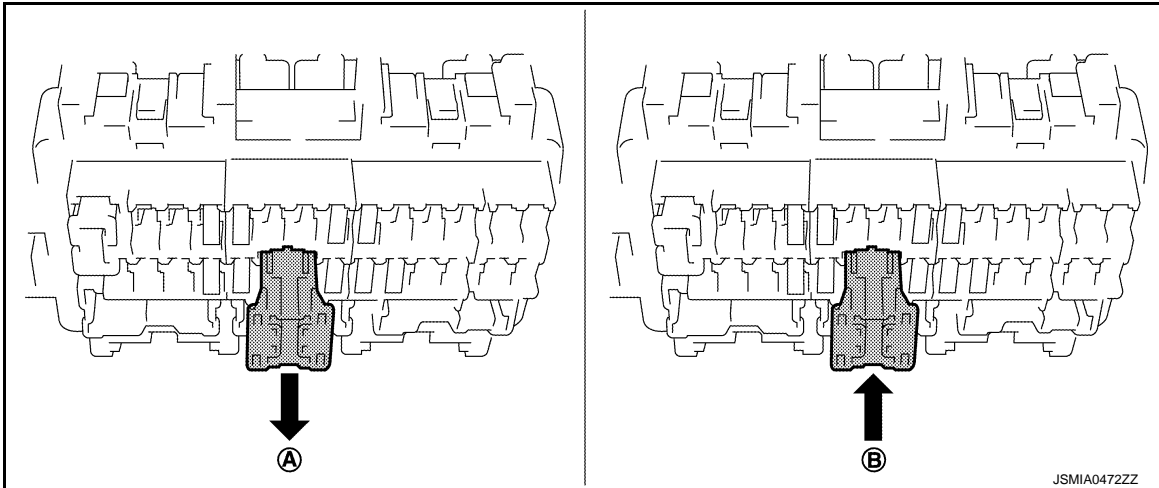
CAUTION:

- Turn the ignition switch OFF when operating the extended storage fuse switch.
- Under normal conditions, keep the extended storage fuse switch in ON state. Never operate the extended storage fuse switch except when necessary.

FUSE INSPECTION

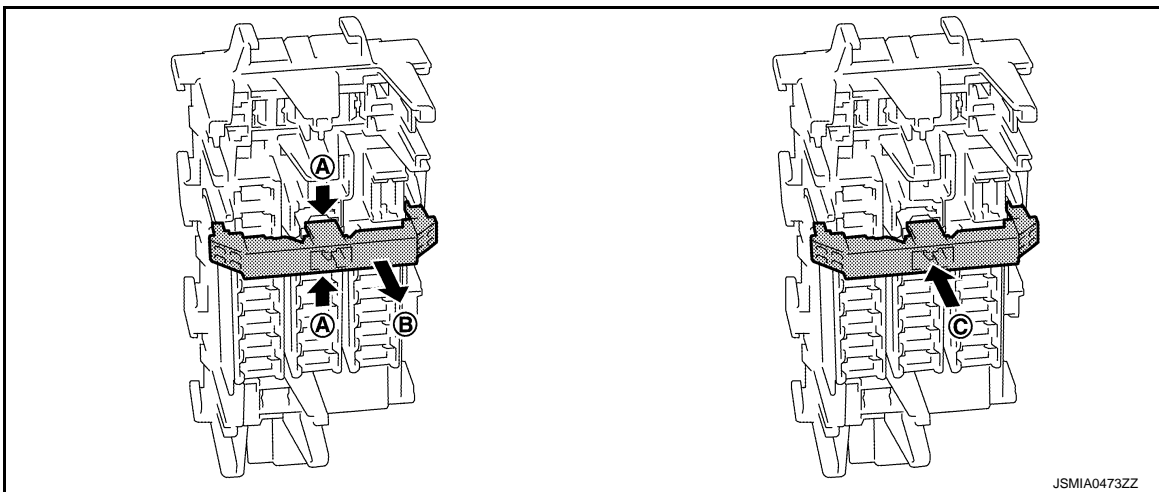
< BASIC INSPECTION >

• Type A



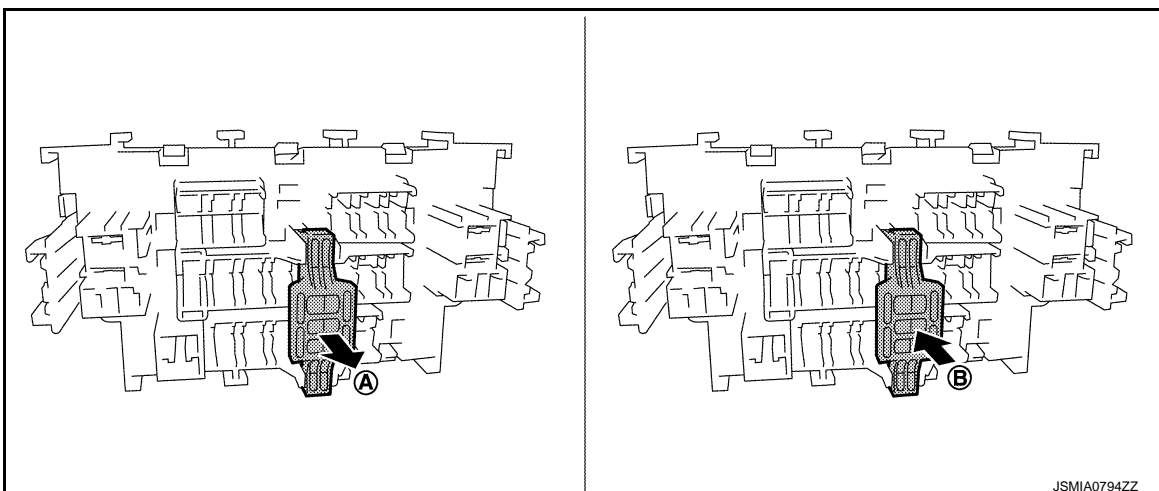
- To turn the extended storage fuse switch OFF, pull it up in (A) direction as shown in the figure.
- To turn the extended storage fuse switch ON, press it in (B) direction as shown in the figure.

• Type B



- To turn the extended storage fuse switch OFF, hold (A) of the switch and pull up in (B) direction as shown in the figure.
- To turn the extended storage fuse switch ON, press it in (C) direction as shown in the figure.

• Type C



- To turn the extended storage fuse switch OFF, pull it up in (A) direction as shown in the figure.
- To turn the extended storage fuse switch ON, press it in (B) direction as shown in the figure.

How To Remove Extended Storage Fuse Switch

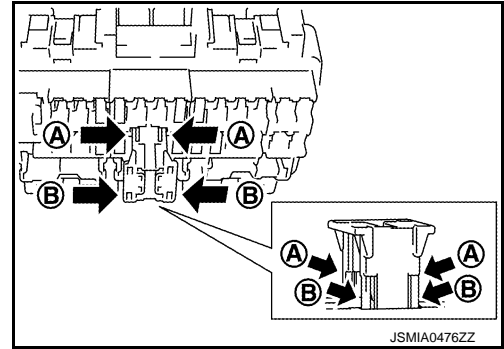
Type A

A
B
C
D
E
F
G
H
I
J
K
L
PG
N
O
P

FUSE INSPECTION

< BASIC INSPECTION >

1. Turn the ignition switch OFF.
2. Turn the extended storage fuse switch OFF.
3. Press pawl (A) and tilt to disengage the extended storage fuse switch. Press pawl (B) and tilt to remove the extended storage fuse switch.

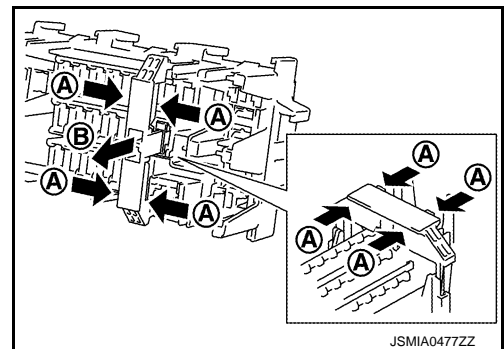


NOTE:

- Extended storage fuse switch and fuse are removed together. Remove fuse from extended storage fuse switch, if necessary.
- Extended storage fuse switch is for transportation and storage. Reinstallation is not required after the removal.

Type B

1. Turn the ignition switch OFF.
2. Turn the extended storage fuse switch OFF.
3. Hold (A) and pull up the extended storage fuse switch hard in (B) direction.

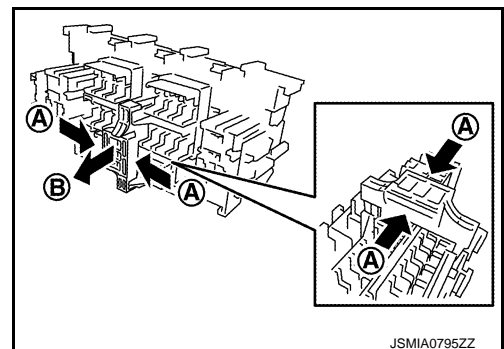


NOTE:

- Extended storage fuse switch and fuse may be removed together. Remove fuse from extended storage fuse switch, if necessary.
- Extended storage fuse switch is for transportation and storage. Reinstallation is not required after the removal.

Type C

1. Turn the ignition switch OFF.
2. Turn the extended storage fuse switch OFF.
3. Hold (A) and pull up the extended storage fuse switch hard in (B) direction.



NOTE:

- Extended storage fuse switch and fuse are removed together. Remove fuse from extended storage fuse switch, if necessary.

FUSE INSPECTION

< BASIC INSPECTION >

- Extended storage fuse switch is for transportation and storage. Reinstallation is not required after the removal.

A

B

C

D

E

F

G

H

I

J

K

L

PG

N

O

P

FUSIBLE LINK INSPECTION

< BASIC INSPECTION >

FUSIBLE LINK INSPECTION

How To Check

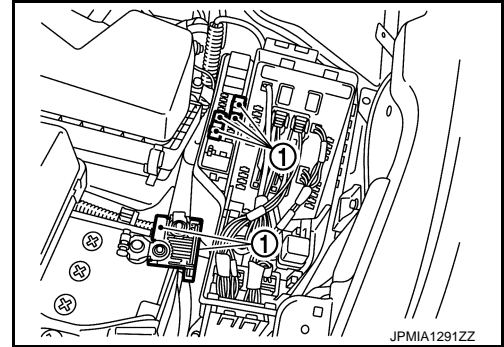
INFOID:000000009651789

A melted fusible link can be detected either by visual inspection or by feeling with finger tip. If its condition is questionable, use circuit tester or test lamp.

1 :Fusible link

CAUTION:

- If fusible link should melt, it is possible that critical circuit (power supply or large current carrying circuit) is shorted. In such a case, carefully check and eliminate cause of malfunction.
- Never wrap outside of fusible link with vinyl tape. Important: Never let fusible link touch any other wiring harness, vinyl or rubber parts.



BATTERY

< REMOVAL AND INSTALLATION >


REMOVAL AND INSTALLATION

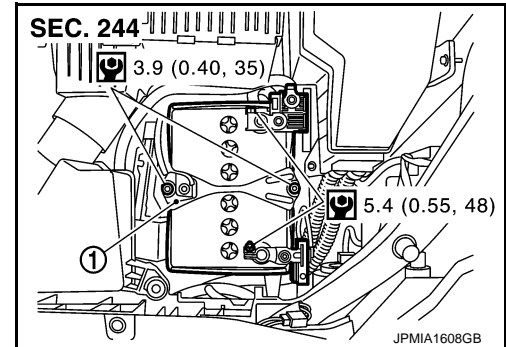
BATTERY

Exploded View

INFOID:000000009651790

1 : Battery fix frame

 : N·m (kg·m, in·lb)



Removal and Installation

INFOID:000000009651791

REMOVAL

1. Remove air duct (inlet). Refer to [EM-26, "Removal and Installation"](#).
2. Disconnect the battery cable from the negative terminal.

CAUTION:

To prevent damage to the parts, disconnect the battery cable from the negative terminal first.

3. Remove the nut and bolt and remove the ECM bracket from the battery fix frame.
4. Remove cover of battery positive terminal.
5. Disconnect the battery cable from the positive terminal.
6. Remove battery fix frame mounting nuts and battery fix frame.
7. Remove battery.

INSTALLATION

Install in the reverse order of removal.

CAUTION:

To install the battery, carefully read the following instructions.

- **To prevent damage to the parts, connect the battery cable to the positive terminal first.**
- **After connecting battery cables, to securely supply battery voltage, ensure that they are tightly clamped to battery terminals for good contact.**
- **To securely supply battery voltage, check battery terminal for poor connection caused by corrosion.**

Reset electronic systems as necessary. Refer to [GI-58, "ADDITIONAL SERVICE WHEN REMOVING BATTERY NEGATIVE TERMINAL : Required Procedure After Battery Disconnection"](#).

A
B
C
D
E
F
G
H
I
J
K
L
PG
N
O
P

BATTERY TERMINAL WITH FUSIBLE LINK

< REMOVAL AND INSTALLATION >


BATTERY TERMINAL WITH FUSIBLE LINK

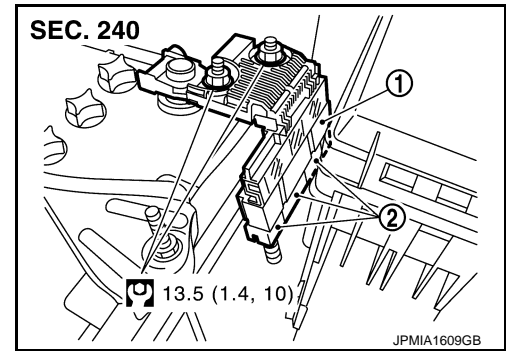
Exploded View

INFOID:000000009651792

1 : Battery terminal with fusible link

2 : Harness connector

 : N·m (kg-m, ft-lb)



Removal and Installation

INFOID:000000009651793

REMOVAL

1. Disconnect the battery cable from the negative terminal. Refer to [PG-105, "Exploded View"](#).
CAUTION:
To prevent damage to the parts, disconnect the battery cable from the negative terminal first.
2. Remove cover of battery positive terminal.
3. Disconnect the battery cable from the positive terminal. Refer to [PG-105, "Exploded View"](#).
4. Remove harness mounting nut and battery terminal with fusible link mounting nut.
5. Disconnect harness connector and remove battery terminal with fusible link.

INSTALLATION

Install in the reverse order of removal.

CAUTION:

To prevent damage to the parts, connect the battery cable to the positive terminal first.


BATTERY CURRENT SENSOR

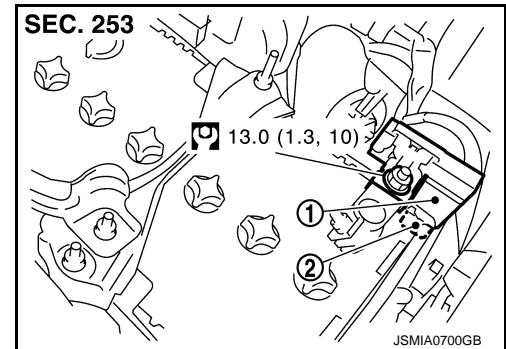
< REMOVAL AND INSTALLATION >

BATTERY CURRENT SENSOR

Exploded View

INFOID:000000009651794

- 1 : Battery current sensor
(with battery temperature sensor)
- 2 : Harness connector
-  : N·m (kg-m, ft-lb)



Removal and Installation

INFOID:000000009651795

REMOVAL

1. Disconnect the battery cable from the negative terminal. Refer to [PG-105, "Exploded View"](#).
2. Disconnect the battery current sensor connector.
3. Remove the battery current sensor mounting nut.
4. Remove the battery current sensor from battery cable.

INSTALLATION

Install in the reverse order of removal.

A
B
C
D
E
F
G
H
I
J
K
L
N
O
P

PG

SERVICE DATA AND SPECIFICATIONS (SDS)

< SERVICE DATA AND SPECIFICATIONS (SDS)

SERVICE DATA AND SPECIFICATIONS (SDS)

SERVICE DATA AND SPECIFICATIONS (SDS)

Battery

INFOID:000000009651796

Type		110D26L-HR
20 hour rate capacity	[V – Ah]	12 – 75
Cold cranking current (For reference value)	[A]	720