

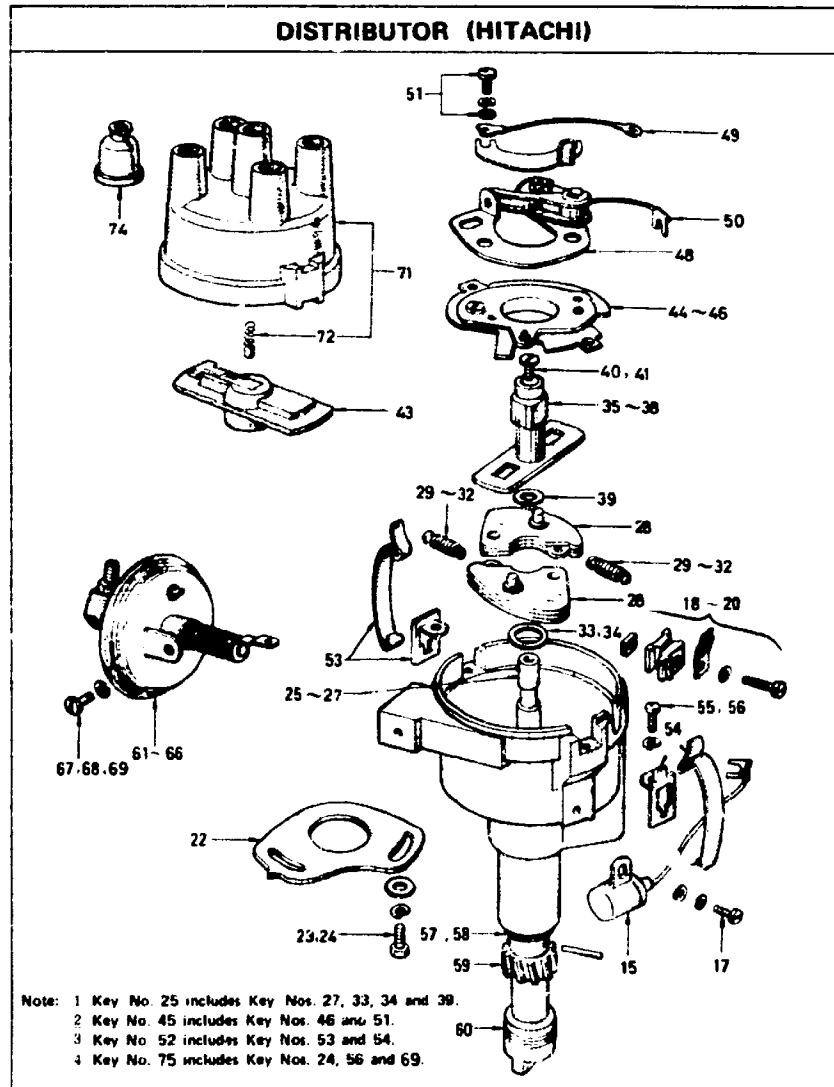
**K1**

**ELECTRICAL**

FIG. 18 K2 NISSAN MOTOR CO., LTD.

NISSAN MOTOR CO., LTD.

FIG. 18



S KEY NO.	PART NO.	PART NAME	QTY	SALES UNIT	MODEL	ICA
		<b>DISTRIBUTOR (HITACHI)</b>				
• 1	22100-14600	ASSY-DISTRIBUTOR(HITACHI)	1	1.6L		
• 2	22100-14605	ASSY-DISTRIBUTOR (HITACHI)(ISO)	1	1.6L EXC SFLU	Y	
• 3	22100-14606	ASSY-DISTRIBUTOR(HITACHI)(ISO)(NOT ADAPTED)	1	1.6L EXC SFLU	Y	
• 4	22100-14700	DISTRIBUTOR (FROM OCT-67)	1	1.6L SFLU		
• 5	22100-14705	DISTRIBUTOR(D417-57K)(ISO)(FROM E/P R-04012)	1	1.6L SFLU	Y	
• 6	22100-A7700	DISTRIBUTOR (FROM JULY-69)	1	1.6L EMISSION CONTROL		
• 7	22100-A7701	DISTRIBUTOR (FROM JULY-69)	1	1.6L EMISSION CONTROL	Y	
• 8	22100-25500	ASSY-DISTRIBUTOR(HITACHI)	1	2L		
• 9	22100-25505	ASSY-DISTRIBUTOR(HITACHI)(ISO)(FROM E/P R-020-11477)	1	2L EXC SFLU	Y	
• 10	22100-25506	ASSY-DISTRIBUTOR(HITACHI)(ISO)(FROM E/P R-020-13464)	1	2L EXC SFLU	Y	
• 11	22100-25600	DISTRIBUTOR (FROM OCT-67)	1	1.6L SFLU		
• 12	22100-25605	DISTRIBUTOR (ISO)	1	1.6L SFLU	Y	
• 13	22100-25606	DISTRIBUTOR (ISO)	1	1.6L SFLU	Y	
• 14	22102-00800	ASSY-COMPRESSOR	1	ALL		
• 15	22102-00801	ASSY-COMPRESSOR	1	1.0L ALL	Y	

FIG. 18 K3 NISSAN MOTOR CO., LTD.

S	KEY NO.	PART NO.	PART NAME	QTY	SALES UNIT	MODEL	ICA
•	14	22132-05060	SCREW	1		ALL	
	17	22132-05060	SCREW	1	10	ALL	Y
	17	22403-14600	ASSY-TERMINAL	1	5	ALL EXC SP LU & SRLU	
	19	22403-13201	ASSY-TERMINAL	1	5	SPLU SRLU	
	20	22403-14005	ASSY-TERMINAL (FROM JULY-69)	1	10	EMISSION CONTROL	N
•	21	22100-14600	PLATE-FIXING	1	5	ALL	
	22	22100-50100	PLATE-FIXING	1	5	ALL	Y
	23	22201-71300	BOLT-5	1	10	ALL	
	24	22201-10005	BOLT-5 (ISO)	1	10	ALL	N
	25	22108-A7700	ASSY-SHAFT (INC. PIN KNOCK)	1	1	ALL	
	26	22108-14600	ASSY-SHAFT	1	1	ALL	
	27	22108-14605	ASSY-SHAFT (ISO)	1	1	ALL	N
	28	22109-71300	ASSY-WEIGHT, GOVERNOR	2	5	ALL	
	29	22110-14600	SET-SPRING, GOVERNOR	1	10	ALL EXC SP LU & SRLU	
	30	22110-25600	SET-SPRING, GOVERNOR	1	10	SPLU	
	31	22110-A7700	SET-SPRING, GOVERNOR (FROM JULY-69)	1	10	1.6L EMISSION CONTROL	
	32	22110-25600	SET-SPRING, GOVERNOR	1	10	2L EMISSION CONTROL	
	33	22117-05060	WASHER-THRUST	2	10	ALL	
	34	22118-05060	WASHER-THRUST	1	50	ALL	
	35	22132-14600	SET-CAM	1	2	ALL EXC SP LU & SRLU	
	36	22132-14605	SET-CAM (ISO)	1	1	ALL EXC SP LU & SRLU	N

NISSAN MOTOR CO., LTD.

FIG. 18

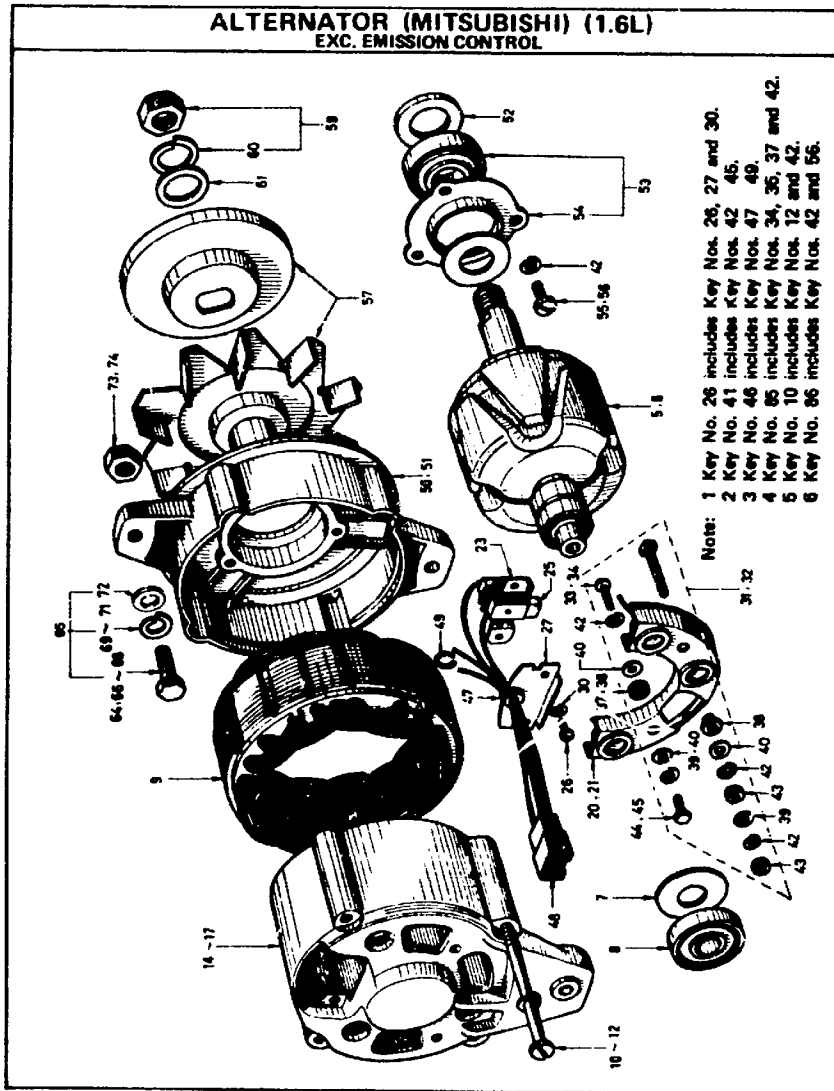
S	KEY NO.	PART NO.	PART NAME	QTY	SALES UNIT	MODEL	ICA
	37	22132-25600	SET-CAM (TO JULY-69)	1	2	SPLU SRLU	
	38	22132-25605	SET-CAM (FROM JULY-69)	1	1	EMISSION CONTROL	
	39	22117-32200	WASHER-THRUST	1	50	ALL	
	40	22103-50000	SCREW-4	1	50	ALL	
	41	22139-10005	SCREW-4 (ISO)	1	10	ALL	N
•	42	22157-71300	ASSY-HEAD, ROTOR	1	10	ALL	
	43	22157-71500	ASSY-HEAD, ROTOR	1	10	ALL	Y
	44	22136-71300	ASSY-BRAKER	1	2	ALL	
	45	22136-71300	PLATE-ASSY BRAKER	1	1	ALL	
	46	22136-10005	ASSY-BRAKER (FROM JULY -69) (ISO)	1	1	ALL	N
•	47	22145-71301	SET-CONTACT	1	1	ALL	
	48	22145-10005	SET-CONTACT	1	10	ALL	Y
	49	22183-71300	ASSY-WIRE, LEAD	1	10	ALL	
	50	22182-71300	ASSY-WIRE, PARTH	1	50	ALL	
	51	22149-10005	SCREW-POINT SET	2	10	ALL	
	52	22167-112300	SET-CLAMP CAP	1	10	ALL	
	53	22167-71300	ASSY-CLAMP, CAP(1)	1	10	ALL	
	54	22168-71300	ASSY-CLAMP, CAP(2)	1	10	ALL	
	55	22103-50000	SCREW-40	2	50	ALL	
	56	22103-10005	SCREW-40 (ISO)	2	10	ALL	N
	57	22142-14600	WASHER-THRUST (T=0.15)	2	10	ALL	
	58	22118-43000	WASHER-THRUST (T=0.8)	1	5	ALL	
	59	22948-14600	ASSY-PINTON	1	1	ALL	
	60	22119-10400	ASSY-COUPLING	1	1	ALL	

FIG. 18 K4 NISSAN MOTOR CO., LTD

S	KEY NO.	PART NO.	PART NAME	QTY	SALES UNIT	MODEL	ICA
	61	22301-14600	CONTROL-VACUUM	1	1	1,6L EXC SPLU	
	62	22301-17700	CONTROL-VACUUM	1	1	SPLU	
•	63	22301-25500	CONTROL-VACUUM	1	1	2L EXC SRLU	
	64	22301-22006	CONTROL-VACUUM	1	1	2L EXC SRLU	Y
•	65	22301-25600	CONTROL-VACUUM	1	1	SRLU	
	66	22301-A3502	CONTROL-VACUUM	1	1	SRLU	Y
•	67	22139-05060	SCREW 4 MM	2	10	ALL	
	68	22139-12211	SCREW 4XA	2		ALL	Y
	69	22139-16005	SCREW 4 MM (ISO)	2	10	ALL	N
•	70	22162-21300	ASSEMBLY-CAP, DISTRIBUTOR	1	1	ALL	
	71	22162-21007	ASSEMBLY-CAP, DISTRIBUTOR	1	1	ALL	Y
	72	22165-40101	ASSEMBLY-POINT, CARBON	1	10	ALL	
	73	22171-00800	CARBON	5	10	ALL	
	74	22246-A4502	DUST SEAL	1	10	ALL	
	75	22750-12300	SPRING-SCREW	1	5	ALL	

FIG. 19 K5

NISSAN MOTOR CO., LTD.



NISSAN MOTOR CO., LTD.

FIG. 19

S	KEY NO.	PART NO.	PART NAME	QTY	SALES UNIT	MODEL	ICA
			<b>ALTERNATOR (MITSUBISHI) (1.6L) EXC. EMISSION CONTROL</b>				
	1	23100-14600	ASSY-ALTERNATOR(MITSUBISHI 12V-300W)	1		1.6L	
	2	23100-14601	ASSY-ALTERNATOR(MITSUBISHI 12V-300W)(CAC300/1 2 X 1R)	1		1.6L	Y
	3	23100-14602	ASSY-ALTERNATOR(MITSUBISHI 12V-300W)(CAC300/1 2 X 2R)(FROM E/S R-221 4)	1		1.6L	Y
	4	23100-14615	ASSY-ALTERNATOR(MITSUBISHI 12V-300W) (ISO)	1		1.6L	EXC. EMISSION CONTROL Y
	5	23100-14610	ASSY-ROTOR(TO E/S R-2213)	1		1.6L	
	6	23100-16512	ASSY-ROTOR(FROM E/S R-2214)	1		1.6L	EXC. EMISSION CONTROL N
	7	23116-14610	WASHER-SEAL	1	10	1.6L	EXC. EMISSION CONTROL
	8	23120-14610	BEARING-BALL	1	1	1.6L	EXC. EMISSION CONTROL
	9	23102-14610	ASSY-STATOR	1	1	1.6L	EXC. EMISSION CONTROL
	10	23131-14616	ROLT SFT THROUGH	1	1	1.6L	EXC. EMISSION CONTROL
	11	23131-14610	ROLT-THROUGH	4	10	1.6L	
	12	23131-14615	ROLT-THROUGH (ISO)	4	10	1.6L	EXC. EMISSION CONTROL

FIG. 19 K6 NISSAN MOTOR CO., LTD.

NISSAN MOTOR CO., LTD.

FIG. 19

S	KEY NO.	PART NO.	PART NAME	QTY	SALES UNIT	MODEL	ICA
	13	23127-14610	ASSY-COVER, REAR	1		1.6L	
	14	23127-14611	ASSY-COVER, REAR (TO E/F R-2213)	1	1	1.6L	Y
	15	23127-14612	ASSY-COVER, REAR (FROM E/F R-2214)	1	1	1.6L	N
	16	23127-14610	ASSY-COVER REAR (ISO)	1		1.6L EXC EMISSION CONTROL	N
	17	23127-14611	ASSY-COVER REAR (ISO)	1	1	1.6L EXC EMISSION CONTROL	Y
	18	23127-14616	BRACKET G ASSY REAR	1	1	1.6L EXC EMISSION CONTROL	
	19	23230-14610	ASSY-DIODE, SET	1		1.6L	
	20	23230-14611	ASSY-DIODE, SET (FROM E/F R-2214)	1	1	1.6L EXC EMISSION CONTROL	Y
	21	23231-61210	DIODE MINUS	3	10	1.6L	
	22	23232-61210	DIODE PLUS	3	10	1.6L	
	23	23133-14610	ASSY-HOLDER, BRUSH	1	1	1.6L EXC EMISSION CONTROL	
	24	23130-10010	SPRING BRUSH	2	10	1.6L EXC EMISSION CONTROL	
	25	23135-14610	ASSY-BRUSH	2	10	1.6L EXC EMISSION CONTROL	
	26	23107-14615	SCREW ASSY	1	1	1.6L EXC EMISSION CONTROL	
	27	23107-14610	COVER BRUSH	1	1	1.6L EXC EMISSION CONTROL	
	28	23352-09610	SCREW 4 X 10	2	10	1.6L	

S	KEY NO.	PART NO.	PART NAME	QTY	SALES UNIT	MODEL	ICA
	29	23132-16715	SCREW 4 X 10 (ISO)	2	10	1.6L EXC EMISSION CONTROL	Y
	30	22196-01302	WASHER-SPRING	2	10	1.6L EXC EMISSION CONTROL	
	31	23156-14610	ASSY-TERMINAL	1	1	1.6L	
	32	23156-14615	ASSY-TERMINAL (ISO) A	1	10	1.6L EXC EMISSION CONTROL	N
	33	23158-14610	SCREW	1	10	1.6L	
	34	23158-16716	SCREW 5 X 16 (ISO)	1	10	1.6L EXC EMISSION CONTROL	N
	35	23160-14610	WASHER-INSULATOR	1	10	1.6L EXC EMISSION CONTROL	
	36	23161-14610	INSULATOR	1	10	1.6L	
	37	23161-14611	INSULATOR	1	10	1.6L EXC EMISSION CONTROL	Y
	38	23157-14610	INSULATOR	1	10	1.6L EXC EMISSION CONTROL	
	39	22213-71311	WASHER	1	10	1.6L	
	40	22213-10010	WASHER (ISO)	3	10	1.6L EXC EMISSION CONTROL	N
	41	23150-21015	TERMINAL ASSY E	1	10	1.6L EXC EMISSION CONTROL	
	42	22203-32210	WASHER-SPRING	5	50	1.6L EXC EMISSION CONTROL	
	43	23109-16715	NUT (ISO)	2	10	1.6L EXC EMISSION CONTROL	N

FIG. 19 K7 NISSAN MOTOR CO., LTD.

S	KEY NO.	PART NO.	PART NAME	QTY	SALES UNIT	MODEL	ICA
	44	23139-12210	BOLT-TERMINAL(E)	1	10	1.6L	
	45	23139-16715	BOLT-TERMINAL(E) 5 X 8 (ISO)	1	10	1.6L EXC EMISSION CONTROL	N
	46	23136-14611	CONNECTOR C ASSY	1	1	1.6L EXC EMISSION CONTROL	
	47	23159-14610	OHMMGT	1	10	1.6L	
	48	23136-14610	ASSY-WIRE LEAD	1	5	1.6L EXC EMISSION CONTROL	
	49	23233-14610	CLIP	1	10	1.6L	
	50	23118-14610	ASSY-COVER,FRONT	1	1	1.6L	
	51	23118-14615	ASSY-COVER,FRONT (160)	1	1	1.6L EXC EMISSION CONTROL	N
	52	23121-14610	WASHER-SFAL	1	10	1.6L EXC EMISSION CONTROL	
	53	23128-14611	BEARING-BALL	1	1	1.6L EXC EMISSION CONTROL	
	54	23123-14610	RETAINER-BEARING	1	5	1.6L EXC EMISSION CONTROL	
	55	23352-12210	SCREW	3	10	1.6L	
	56	23158-16715	SCREW (JSD)	3	10	1.6L EXC EMISSION CONTROL	N
	57	23151-14610	ASSY-PULLEY	1	1	1.6L EXC EMISSION CONTROL	
	58	23152-12210	WASHER-SPRING	1	10	1.6L	
	59	23153-14610	NUT ASSY,PULLEY	1	1	1.6L EXC EMISSION CONTROL	

19- - 4

Printed in Japan

REVISED: JUNE, 1972

NISSAN MOTOR CO., LTD.

FIG. 19

S	KEY NO.	PART NO.	PART NAME	QTY	SALES UNIT	MODEL	ICA
	60	23152-35810	WASHER-SPRING (ISO)	1	10	1.6L EXC EMISSION CONTROL	
	61	23162-12210	WASHER-PLAIN	1	10	1.6L	
	62	23153-35810	NUT	1	10	1.6L EXC EMISSION CONTROL	
	63	23153-21810	NUT	1	1	1.6L EXC EMISSION CONTROL	Y
	64	23139-12900	BOLT-ALTERNATOR TO BRACKET FIX(TO E/R-40000)	1	10	1.6L	
	65	23164-21610	BOLT ASSY SETTING	1	10	1.6L EXC EMISSION CONTROL	
	66	23139-18810	BOLT(FROM E/R-40001)ALTERNATOR TO BRACKET FIX	1	10	1.6L	N
	67	23164-12210	BOLT 8 X 25	1	10	1.6L	N
	68	23164-21610	BOLT	1	10	1.6L	Y
	69	09915-11510	WASHER-LOCK ALTERNATOR TO BRACKET FIX(TO E/R-40000)	1	50	1.6L	
	70	09915-13810	WASHER-SPRING(FROM E/R-40001)ALTERNATOR TO BRACKET FIX	1	50	1.6L	N
	71	23109-35810	WASHER-SPRING	1	10	1.6L	N
	72	23160-16710	WASHER-PLAIN	1	10	1.6L	
	73	09911-24510	NUT-ALTERNATOR TO BRACKET FIX(TO E/R-40000)	1	50	1.6L	
	74	09911-20810	NUT(FROM E/R-40001)	1	50	1.6L	N
	75	09915-43810	WASHER-PLAIN(FROM E/R-40001)	1	50	1.6L	

19- - 5

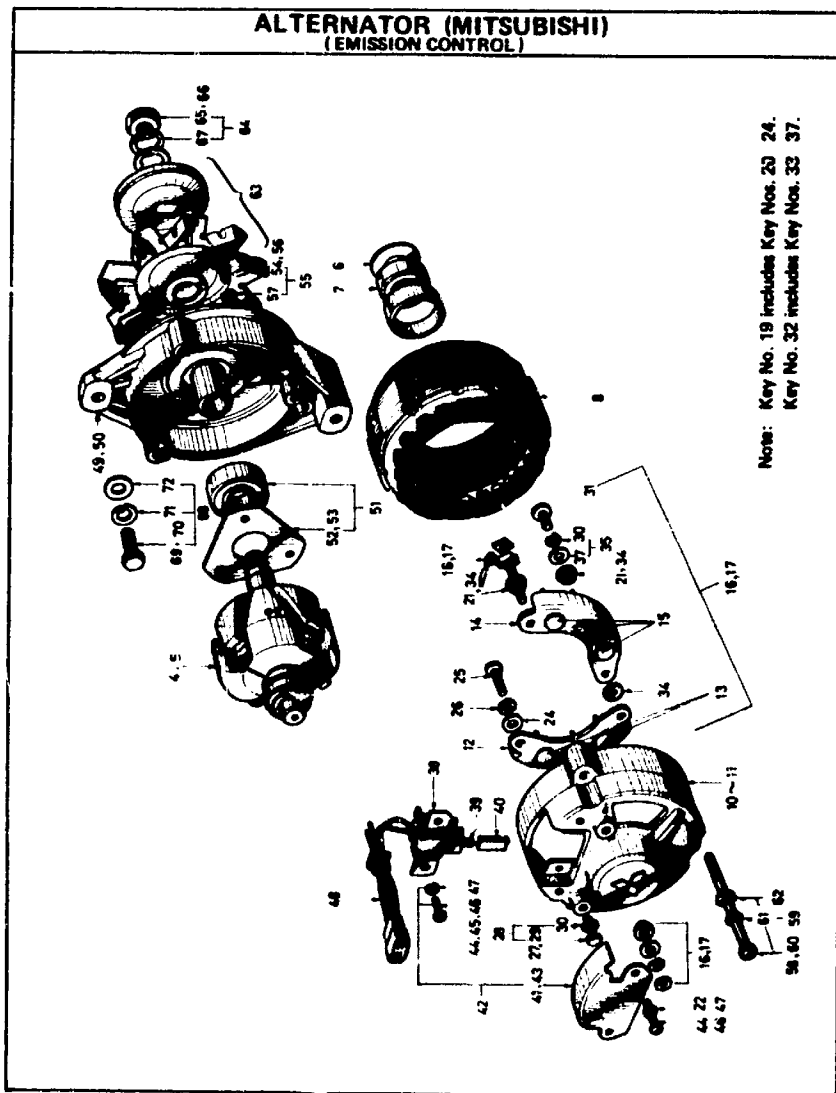
Printed in Japan

REVISED: JUNE, 1972

FIG. 19 K8 NISSAN MOTOR CO., LTD.

S	KEY NO.	PART NO.	PART NAME	QTY	SALES UMT	MODEL	ICA
	76	00134-62510	BOLT-BRACKET TO CYLINDER BLOCK(TO E/S R-40000)	3	90	1.6L	
	77	00131-02510	BOLT-BRACKET TO CYLINDER BLOCK(FROM E/S R-40001)	3	90	1.6L	N
	78	00915-21610	WASHER-SPRING(TO E/S R-40000)	3	50	1.6L	
	79	00915-24010	WASHER-SPRING(FROM E/S R-40001)	3	50	1.6L	N
	80	00911-24610	NUT-ADJUST BAR TO CYLINDER HEAD(TO E/S R-40000)	1	90	1.6L	
	81	00911-24010	NUT-ADJUST BAR TO CYLINDER HEAD(FROM E/S R-40001)	1	90	1.6L	N
	82	21107-C4200	NUT-ADJUST BAR TO CYLINDER HEAD(FROM E/S R-40001)	1	10	1.6L	Y
	83	00915-11610	WASHER-SPRING,ADJUST BAR TO HEAD(TO E/S R-40000)	1	90	1.6L	
	84	00915-14010	WASHER-SPRING,ADJUST BAR TO HEAD(FROM E/S R-40001)	1	90	1.6L	N
	85	21150-14611	SCREW ASSY AE	1	10	1.6L EXC EMISSION CONTROL	
	86	21115-66615	SCREW ASSY SETTING	1	10	1.6L EXC EMISSION CONTROL	





JUNE, 1972

F19A - 1

Printed in Japan

S	KEY NO.	PART NO.	PART NAME	QTY	SALES UNIT	MODEL	ICA
			<b>ALTERNATOR (MITSUBISHI) (EMISSION CONTROL)</b>				
1	1	23100-20110	ASSY-ALTERNATOR(MITSUBISHI)(12V-300W)	1		2L	
2	2	23100-20111	ASSY-ALTERNATOR(MITSUBISHI)(12V-300W)	1		2L	Y
3	3	23100-20115	ASSY-ALTERNATOR(MITSUBISHI)(12V-300W)(150)	1	1	1.6L EMISSION CONTROL & 2L	Y
4	4	23100-16710	ASSY-ROTOR	1	1	1.6L EMISSION CONTROL & 2L	
5	5	23100-20110	ROTOR	1	1	1.6L EMISSION CONTROL & 2L	
6	6	23116-14610	WASHER-SFAL	1	10	1.6L EMISSION CONTROL & 2L	
7	7	23120-14610	BEARING-WALL	1	1	1.6L EMISSION CONTROL & 2L	
8	8	23102-16710	ASSY-STATOR	1	1	1.6L EMISSION CONTROL & 2L	
9	9	23127-2011	BRACKET G ASSY REAR	1		1.6L EMISSION CONTROL & 2L	
10	10	23127-20110	ASSY-COVER REAR	1	1	2L	

REVISED JUNE, 1972

19-A- 1

Printed in Japan

FIG. 19A K10 NISSAN MOTOR CO., LTD.

S	KEY NO.	PART NO.	PART NAME	QTY	SALES UNIT	MODEL	ICA
	11	23127-20115	ASSY-COVER REAR (ISO)	1	1	1.6L EMISSION CONTROL & 2L	N
	12	23236-18010	DIODE SET (-)	1	1	1.6L EMISSION CONTROL & 2L	
	13	23231-61210	DIODE MINUS	3	10	2L	
	14	23230-16710	DIODE SET (+)	1	1	1.6L EMISSION CONTROL & 2L	
	15	23232-61210	DIODE PLUS	3	10	2L	
	16	23156-20110	ASSY-TERMINAL A	1	1	2L	
	17	23156-20115	ASSY-TERMINAL A (ISO)	1	1	1.6L EMISSION CONTROL & 2L	N
	18	23162-20110	PLATE-TERMINAL	1	10	1.6L EMISSION CONTROL & 2L	
	19	23156-20116	TERMINAL ASSY A	1	1	1.6L EMISSION CONTROL & 2L	
	20	23148-16715	BOLT 5 X 36	1	10	1.6L EMISSION CONTROL & 2L	
	21	23161-18010	INSULATOR	2	10	1.6L EMISSION CONTROL & 2L	
	22	22203-32210	WASHER-SPRING	2	50	1.6L EMISSION CONTROL & 2L	

19-A- 2

Printed in Japan

REVISED JUNE, 1972

NISSAN MOTOR CO., LTD.

FIG. 19A

S	KEY NO.	PART NO.	PART NAME	QTY	SALES UNIT	MODEL	ICA
	23	23189-16715	NUT	2	10	1.6L EMISSION CONTROL & 2L	
	24	22213-18010	WASHER	3	10	1.6L EMISSION CONTROL & 2L	
	25	23158-18010	SCREW-5X12	1	10	1.6L EMISSION CONTROL & 2L	
	26	22203-32210	WASHER-SPRING	1	50	1.6L EMISSION CONTROL & 2L	
	27	23139-12210	BOLT-TERMINAL E 5X8	1	10	2L	
	28	23158-21015	TERMINAL ASSY E	1	10	1.6L EMISSION CONTROL & 2L	
	29	23139-16715	BOLT-TERMINAL E 5X8 (ISO)	1	10	1.6L EMISSION CONTROL & 2L	N
	30	22203-32210	WASHER-SPRING	1	50	1.6L EMISSION CONTROL & 2L	
	31	23158-18011	SCREW 5X70	1	10	2L	
	32	23147-16716	SCREW ASSY AE	1	1	1.6L EMISSION CONTROL & 2L	
	33	23147-16715	SCREW 5X70(ISO)	1	10	1.6L EMISSION CONTROL & 2L	N

19-A- 3

Printed in Japan

REVISED JUNE, 1972

FIG. 19A K11 NISSAN MOTOR CO., LTD.

S	KEY NO.	PART NO.	PART NAME	QTY	SALES UNIT	MODEL	ICA
	34	23161-18610	INSULATOR	1	10	1.6L EMISSION CONTROL & 2L	
	35	23186-H0111	ASSY-SCREW AE	1	10	1.6L EMISSION CONTROL & 2L	
	36	22203-32210	WASHER-SPRING	1	50	1.6L EMISSION CONTROL & 2L	
	37	22213-18010	WASHER	1	10	1.6L EMISSION CONTROL & 2L	
	38	23133-20110	ASSY-HOLDER BRUSH	1	2	1.6L EMISSION CONTROL & 2L	
	39	23138-18010	SPRING-BRUSH	2	10	1.6L EMISSION CONTROL & 2L	
	40	23135-14610	BRUSH	2	10	1.6L EMISSION CONTROL & 2L	
	41	23187-20110	COVER-BRUSH	1	9	2L	
	42	23187-20111	COVER SET	1		1.6L EMISSION CONTROL & 2L	
	43	23187-20115	COVER-BRUSH(ISO)	1	1	1.6L EMISSION CONTROL & 2L	N
	44	23139-85860	SCREW 4X8	4	10	2L	
	45	23139-12211	SCREW 4X8	4	10	2L	Y

19-A- 4

Printed in Japan

REVISED JUNE, 1972

NISSAN MOTOR CO., LTD.

FIG. 19A

S	KEY NO.	PART NO.	PART NAME	QTY	SALES UNIT	MODEL	ICA
	46	23184-14615	SCREW 4X8(ISO)	4	50	1.6L EMISSION CONTROL & 2L	N
	47	22196-01302	WASHER-SPRING	4	10	1.6L EMISSION CONTROL & 2L	
	48	23136-20110	ASSY-WIRE LEAD	1	1	1.6L EMISSION CONTROL & 2L	
	49	23118-18010	ASSY-COVER FRONT	1	1	2L	
	50	23118-16715	ASSY-COVER FRONT(ISO)	1	1	1.6L EMISSION CONTROL & 2L	N
	51	23129-14611	BEARING	1	1	1.6L EMISSION CONTROL & 2L	
	52	23123-18010	RETAINER-BEARING	1	9	2L	
	53	23123-16715	RETAINER-BEARING(ISO)	1	10	1.6L EMISSION CONTROL & 2L	N
	54	23158-14610	SCREW-5X16	3	10	2L	
	55	23115-21015	SCREW-ASSY WRG	3	10	1.6L EMISSION CONTROL & 2L	
	56	23158-16716	SCREW-5X16(ISO)	3	10	1.6L EMISSION CONTROL & 2L	N
	57	22203-32210	WASHER-SPRING	3	50	1.6L EMISSION CONTROL & 2L	

19-A- 5

Printed in Japan

REVISED JUNE, 1972

FIG. 19A K12 NISSAN MOTOR CO., LTD.

S	KEY NO.	PART NO.	PART NAME	QTY	SALES UNIT	MODEL	ICA
	5 <sup>a</sup>	23131-16710	SCREW-5X76	3	2L		
	5 <sup>b</sup>	23131-16716	NUT SET THROUGH	3	1.6L EMISSION CONTROL & 2L		
	6 <sup>a</sup>	23131-16715	SCREW-5X76(150)	3	1.6L EMISSION CONTROL & 2L	N	
	6 <sup>1</sup>	27203-32210	WASHER-SPRING	3	50 1.6L EMISSION CONTROL & 2L		
	6 <sup>2</sup>	27213-10010	WASHER	3	1.6L EMISSION CONTROL & 2L		
	6 <sup>3</sup>	23150-20110	ASSY-PULLEY	1	1.6L EMISSION CONTROL & 2L		
	6 <sup>4</sup>	23153-21010	NUT ASBY	1	1.6L EMISSION CONTROL & 2L		
	6 <sup>5</sup>	23153-35010	NUT	1	1.6L EMISSION CONTROL & 2L		
	6 <sup>6</sup>	23153-21010	NUT	1	1.6L EMISSION CONTROL & 2L	Y	
	6 <sup>7</sup>	27152-12210	WASHER-SPRING	1	1.6L EMISSION CONTROL & 2L		
	6 <sup>8</sup>	23164-21610	NUT ASSY, SETTING	1	1.6L EMISSION CONTROL & 2L		

19-A-6

Printed in Japan

REVISED: JUNE, 1972

NISSAN MOTOR CO., LTD.

FIG. 19A

S	KEY NO.	PART NO.	PART NAME	QTY	SALES UNIT	MODEL	ICA
	6 <sup>9</sup>	23164-17210	NUT-BX2 <sup>a</sup>	1	1.6L EMISSION CONTROL & 2L		Y
	7 <sup>0</sup>	23164-21610	NUT	1	1.6L EMISSION CONTROL & 2L		Y
	7 <sup>1</sup>	23100-35010	WASHER-SPRING	1	1.6L EMISSION CONTROL & 2L		
	7 <sup>2</sup>	23160-16710	WASHER	1	1.6L EMISSION CONTROL & 2L		

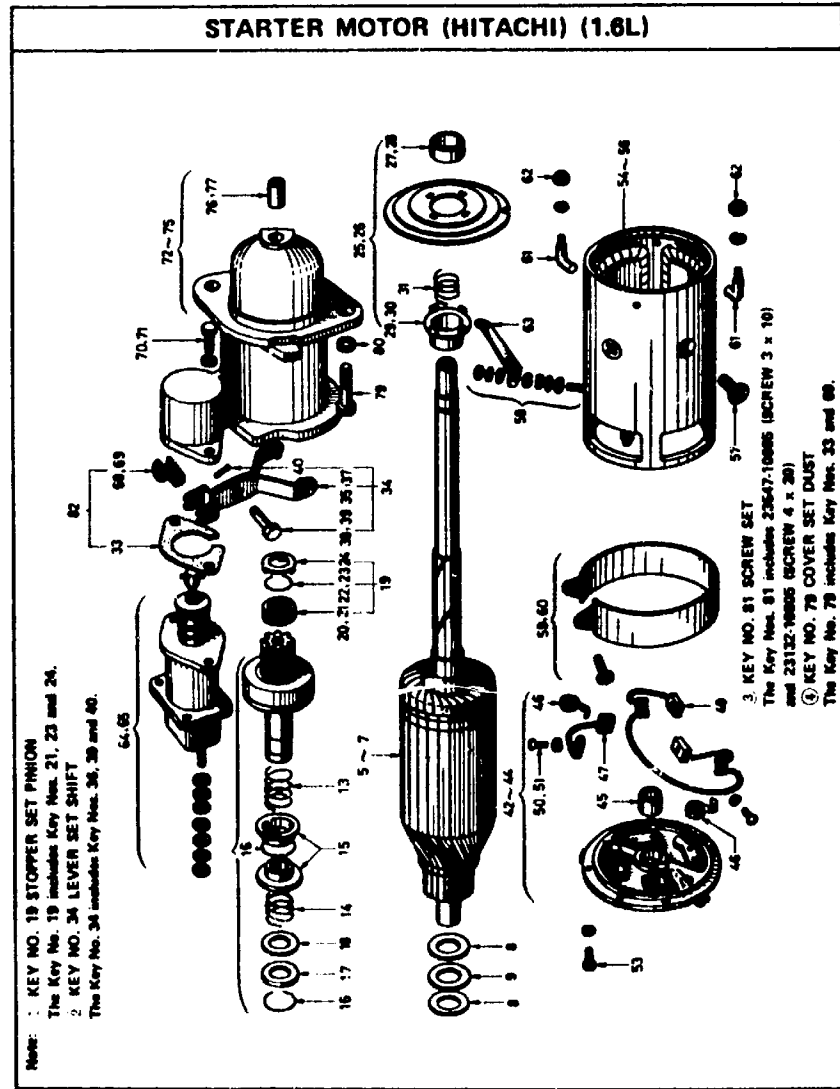
19-A-7

Printed in Japan

REVISED: JUNE, 1972

FIG. 20 K13

NISSAN MOTOR CO., LTD.



MARCH, 1972

F20 - 1

Printed in Japan

NISSAN MOTOR CO., LTD.

FIG. 20

S	KEY NO.	PART NO.	PART NAME	QTY	SALES UNIT	MODEL	ICA
			<b>STARTER MOTOR (HITACHI) (1.6L)</b>				
•	1	23300-36900	ASSY-MOTOR, STARTER	1	1.6L		
	2	27300-36901	ASSY-MOTOR, STARTER (S114-91A) (FROM C/P SEE FIG 20)	1	1.6L		Y
•	3	23300-15000	ASSY-MOTOR, STARTER (S114-91) (FROM C/P SP311-953, SPL311-4036)	1	1.6L		N
	4	27300-15005	ASSY-MOTOR, STARTER (ISO)	1	1.6L		Y
	5	27310-36900	ASSY-ARMATURE TO C/P SP311-952, SPL311-4039)	1	1.6L		
•	6	23310-15000	ASSY-ARMATURE (FROM C/P SP311-953, SPL311-4036)	1	1.6L		N
	7	27310-15001	ASSY-ARMATURE (FROM C/P SP311-953, SPL311-4036)	1	1.6L		Y
	8	23321-00900	WASHER-THRUST	3	1.6L		
	9	23339-00900	WASHER-THRUST	1	1.6L		
	10	27312-61000	ASSY-PINION & CLUTCH	1	1.6L		
•	11	27312-10600	ASSY-PINION & CLUTCH	1	1.6L		N
	12	27312-10605	ASSY-PINION & CLUTCH	1	1.6L		Y
	13	27442-00600	SPRING-PINION SLEEVE (D,1)	1	1.6L		
	14	27443-00600	SPRING-PINION SLEEVE (D,2)	1	1.6L		
	15	27374-00900	SLIDE-PINION	2	1.6L		
	16	27372-00600	CLIP-SLEEVE PINION	2	1.6L		
	17	27444-00600	STOPPER-SPRING SLEEVE	1	1.6L		

REVISED: MARCH, 1972

20 - 1

Printed in Japan

FIG. 20 K14 NISSAN MOTOR CO., LTD.

S	KEY NO.	PART NO.	PART NAME	QTY	SALES UNIT	MODEL	ICA
	18	23351-09600	WASHER-PINION	1	10	1.6L	
	19	23465-E6800	STOPPER SET PINION	1	1	1.6L	
	20	23369-43600	STOPPER-PINION	1	10	1.6L	
	21	23369-10600	STOPPER-PINION	1	10	1.6L	N
	22	23373-43600	CLIP-STOPPER,PINION	1	10	1.6L	
	23	23353-10600	CLIP-STOPPER,PINION(FR OM C/S SP311-103,SPL311-1226)	1	10	1.6L	N
	24	23370-09600	WASHER-STOPPER,PINION	1	10	1.6L	
	25	23303-09500	ASSY-BEARING,CENTER	1	1	1.6L	
	26	23303-10600	ASSY-BEARING,CENTER(FR OM C/S SP311-103,SPL311-1226)	1	1	1.6L	N
	27	23441-09500	BEARING-METAL,CENTER	1	10	1.6L	
	28	23441-10600	BEARING-METAL,CENTER(FR OM C/S SP311-103,SPL311-1226)	1	10	1.6L	N
	29	23450-09500	SHAKE	1	2	1.6L	
	30	23450-10600	SHAKE(FROM C/S SP311-103,SPL311-1226)	1	1	1.6L	N
	31	23453-09500	SPRING-BRAKE	1	5	1.6L	
	32	23446-36900	COVER-DUST	1	5	1.6L	
	33	23446-15800	PACKING	1	10	1.6L	N
	34	23322-10601	LEVER SET SHIFT	1	1	1.6L	
	35	23322-09500	ASSY-LEVER,PINION SHAF T	1	1	1.6L	
	36	23322-10600	ASSY-LEVER,PINION SHAF T(FROM C/S SP311-103,SPL311-1226)	1	1	1.6L	N
	37	23322-10601	ASSY-LEVER,PINION SHAFT	1	1	1.6L	Y

REVISED: MARCH,1972

20- - 2

Printed in Japan

NISSAN MOTOR CO., LTD.

FIG. 20

S	KEY NO.	PART NO.	PART NAME	QTY	SALES UNIT	MODEL	ICA
	38	23323-09500	PIN-LEVER,SHIFT	1	10	1.6L	
	39	23323-10600	PIN-LEVER,SHIFT(FROM C /S SP311-103,SPL311-1226)	1	10	1.6L	N
	40	23391-43300	PIN-COTTER	1	10	1.6L	
	41	23337-09500	ASSY-COVER,REAR	1	1	1.6L	
	42	23337-09501	ASSY-COVER,REAR(TD C/S SP311-103,SPL311-1226)	1	1	1.6L	Y
	43	23337-10600	ASSY-COVER,REAR(FROM C /S SP311-103,SPL311-1226)	1	1	1.6L	N
	44	23337-10605	ASSY-COVER,REAR (ISO)	1	1	1.6L	N
	45	23330-09900	BEARING-METAL	1	5	1.6L	
	46	23333-09900	SPRING-BRUSH (INC,23547-10605)	1	10	1.6L	
	47	23370-09900	BRUSH(-)	2	10	1.6L	
	48	23360-09902	BRUSH(+)	1	10	1.6L	
	49	23300-10600	BRUSH(+)(FROM C/S SP311-103,SPL311-1226)	1	10	1.6L	Y
	50	23547-29600	SCREW(3)	2	10	1.6L	
	51	23547-10605	SCREW (3) (ISO)	2	10	1.6L	N
	52	22103-50000	SCREW(4)	4	20	1.6L	
	53	23340-15805	BOLT (ISO)	2	10	1.6L	
	54	23306-36900	ASSY-COIL,FIELD	1	1	1.6L	
	55	23306-15800	ASSY-COIL,FIELD(FROM C /S SP311-093,SPL311-4036)	1	1	1.6L	N
	56	23306-15801	ASSY-COIL,FIELD (INC,23305-09500)	1	1	1.6L	Y
	57	23305-09500	SCREW,SET,POLE CORE	4	10	1.6L	
	58	23304-09601	ASSY-TERMINAL	1	10	1.6L	

REVISED: MARCH,1972

20- - 3

Printed in Japan

FIG. 20 K15 NISSAN MOTOR CO., LTD.

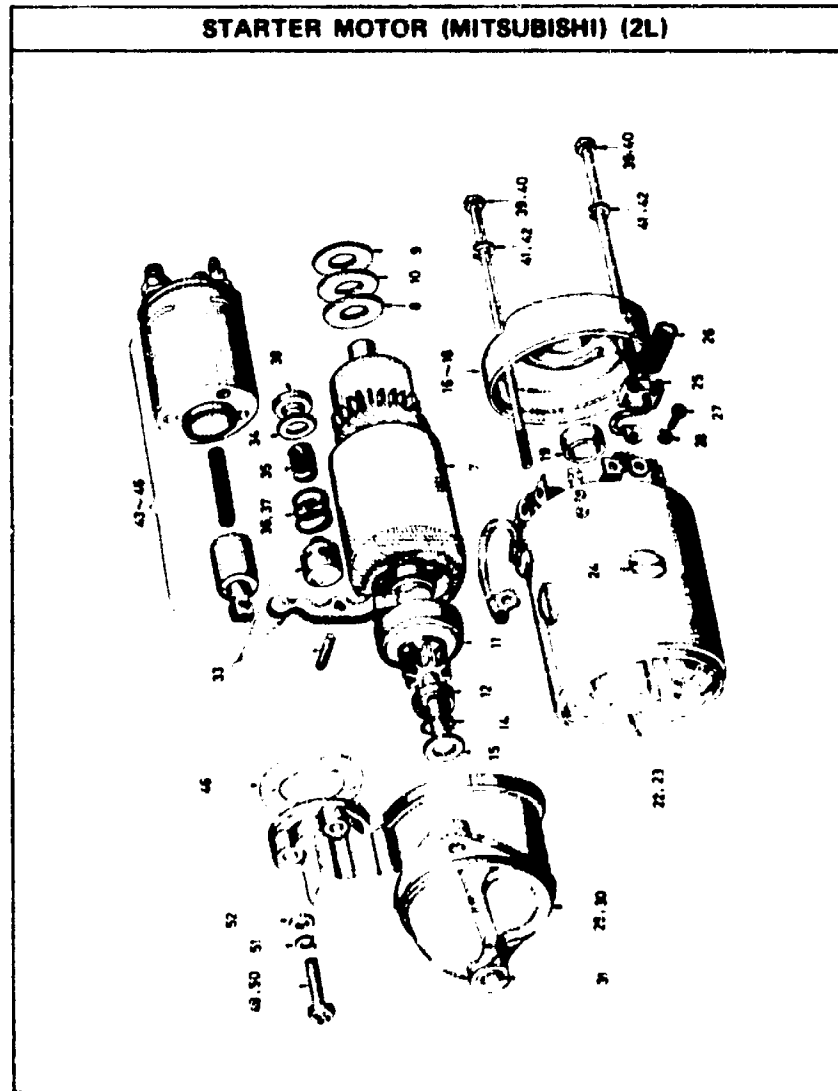
S	KEY NO.	PART NO.	PART NAME	QTY	SALES UNIT	MODEL	ICA
	59	23342-09901	ASSY-COVER, BRUSH	1	1	1.0L	
	60	23389-15809	ASSY-COVER, BRUSH (180)	1	1	1.0L	N
	61	23352-09600	BOLT-JOINT	2	10	1.0L	
	62	23393-09900	NUT	2	10	1.0L	
	63	23447-36900	PLATE-CONNECTING	1	1	1.0L	
	64	23342-36900	ASSY-SWITCH, MAGNETIC (TO C/P SP311-992, SPL311-4035)	1	1	1.0L	
	65	23343-15800	ASSY-SWITCH, MAGNETIC (FROM C/P SP311-993, SPL311-4036)	1	1	1.0L	N
	64	23343-15801	SWITCH, MAGNETIC (FROM C/P SP311-993, SPL311-4036)	1	1	1.0L	Y
	67	23343-15809	ASSY-SWITCH, MAGNETIC (180)	1	1	1.0L	N
	68	23449-36900	COVER-DUST (TO C/P SP311-992, SPL311-4035)	1	9	1.0L	
	69	23449-15800	COVER-DUST (FROM C/P SP311-993, SPL311-4036)	1	10	1.0L	N
	70	22201-09600	BOLT (1) (TO C/P SP311-102, SPL311-1229)	2	10	1.0L	
	71	22201-10600	BOLT (1) (FROM C/P SP311-103, SPL311-1226)	2	10	1.0L	N
	72	23310-36900	ASSY-CASE, GEAR (TO C/P SP311-102, SPL311-1229)	1	1	1.0L	
	73	23310-36901	ASSY-CASE, GEAR (FROM C/P SEE FIG. 20)	1	1	1.0L	N
	74	23310-10600	ASSY-CASE, GEAR AL (FROM C/P SP311-993, SPL311-4038)	1	1	1.0L	N
	75	23310-15809	ASSY-CASE, GEAR (180)	1	1	1.0L	N
	76	23319-09600	BEARING-METAL (TO C/P SP311-102, SPL311-1229)	1	9	1.0L	

NISSAN MOTOR CO., LTD. j

FIG. 20

S	KEY NO.	PART NO.	PART NAME	QTY	SALES UNIT	MODEL	ICA
	77	23319-10600	BEARING-METAL (FROM C/P SP311-103, SPL311-1226)	1	10	1.0L	N
	78	23390-18009	BOLT 90 (180)	2	10	1.0L	
	79	00124-63910	BOLT TO FIX STARTER MOTOR	2	20	1.0L	
	80	00915-21610	WASHER-LOCK TO FIX STARTER MOTOR	2	90	1.0L	
	81	23400-MC100	SCREW SET	1	1	1.0L	
	82	23470-15800	COVER SET DUST	1	1	1.0L	

FIG. 20A K16 NISSAN MOTOR CO., LTD.



DECEMBER, 1971

F20A - 1

Printed in Japan

NISSAN MOTOR CO., LTD.

FIG. 20A

S	KEY NO.	PART NO.	PART NAME	QTY	SALES UNIT	MODEL	ICA	
		<b>STARTER MOTOR (MITSUBISHI) (2L)</b>						
•	1	21300-14811	ASSY-STARTER MOTOR(MIT SUBISHI)	1	2L			
	2	21300-14815	ASSY-STARTER MOTOR(MIT SUBISHI) (ISO)	1	1 2L		Y	
	3	21240-A3210	ASSY-STARTER MOTOR (MITSUBISHI) (ISO)	1	1 2L		Y	
	4	01171-33510	BOLT-HEXAGON HEAD M10 X 1.5 X 35 TO ATTACH S TARTER MOTOR TO ENGINE	2	25 2L			
	5	01015-24010	WASHER-SPRING M10 TO A TTACH STARTER MOTOR TO ENGINE	2	90 2L			
	6	01015-44010	WASHER-PLAIN M10 TO AT TACH STARTER MOTOR TO ENGINE	2	90 2L			
	7	21310-15011	ASSY-APPHATURE	1	1 2L			
	8	21326-15010	WASHER	1	10 2L			
	9	21330-15010	WASHER-INSULATOR	1	10 2L			
	10	21321-15010	WASHER	1	10 2L			
	11	21312-14810	ASSY-PINION & CLUTCH	1	1 2L			
•	12	21369-00610	STOPPER-PINION	1	10 2L			
	13	21465-16010	SLY-STOPPER, PINION	1	2L		Y	
	14	21373-00610	CLIP-PINION STOPPER	1	10 2L			
	15	21320-00610	WASHER	1	10 2L			
	16	21337-21010	ASSY-COVER, REAR	1	1 2L			
	17	21337-21012	ASSY-COVER, REAR	1	1 2Y		Y	
	18	21337-A3210	ASSY-COVER, REAR	1	1 2L		Y	

REVISED DECEMBER, 1971

20A- 1

Printed in Japan



FIG. 20A L1 NISSAN MOTOR CO., LTD.

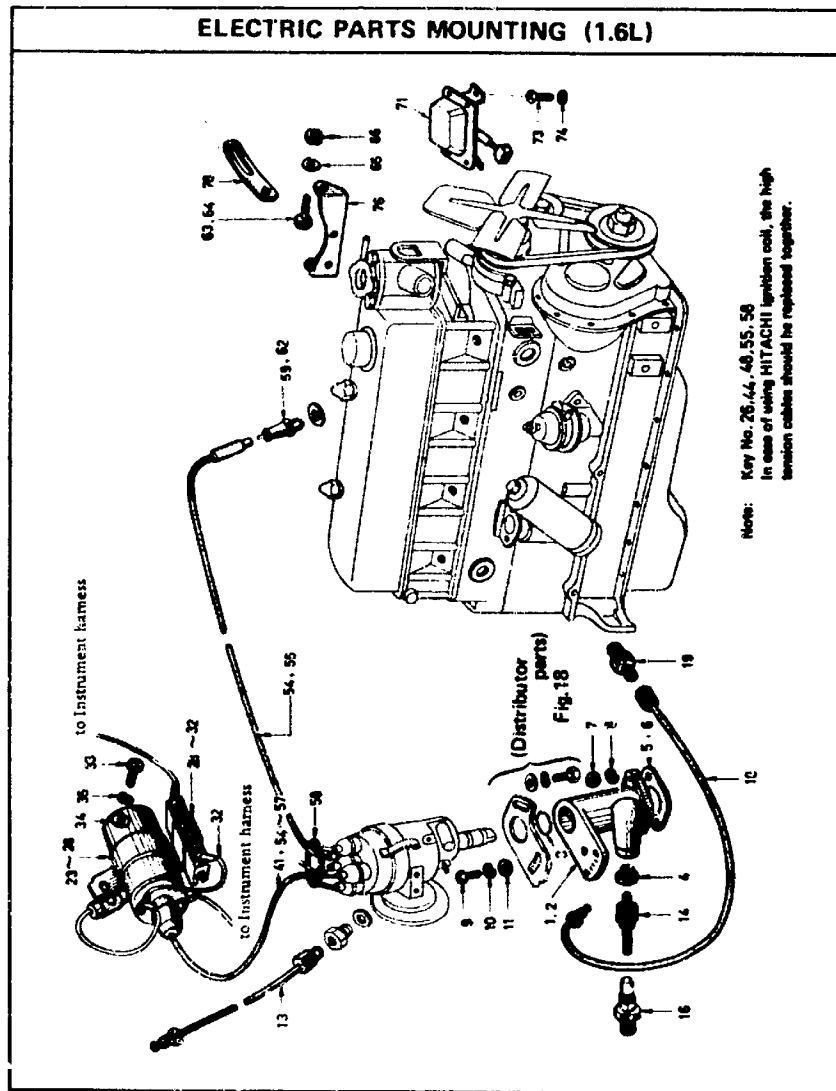
S	KEY NO.	PART NO.	PART NAME	QTY	SALES UNIT	MODEL	ICA
	17	23330-21010	METAL BEARING	1	5 2L		
	20	23338-21012	METAL BEARING	1	5 2L		Y
	21	23338-21011	METAL BEARING	1	5 2L		N
	22	23306-15811	ASSY-COIL, FIELD	1	1 2L		
	23	23306-A3210	ASSY-COIL, FIELD	1	1 2L		N
	24	23305-21010	SCREW-SET, POLE CORE	4	10 2L		
	25	23380-21010	ASSY-BRUSH	4	10 2L		
	26	23333-21010	SPRING, BRUSH	4	10 2L		
	27	23350-09610	SCREW	4	10 2L		
	28	23339-36910	WASHER	4	10 2L		
	29	23313-15811	ASSY-COVER, FRONT	1	1 2L		
	30	23318-A3210	ASSY-COVER, FRONT	1	1 2L		N
	31	23319-09612	METAL BEARING	1	10 2L		
	32	23324-21010	PLATE	1	10 2L		
	33	23322-15810	ASSY-LEVER, PINION SHAFT	1	1 2L		
	34	23296-15810	WASHER	1	10 2L		
	35	23327-15810	SPRING-LEVER A	1	10 2L		
	36	23327-15811	SPRING-LEVER B	1	5 2L		
	37	23327-15812	SPRING-LEVER B (ISO)	1	5 2L		N
	38	23328-21010	RETAINER-SPRING	1	10 2L		
	39	23340-15811	BOLT-THROUGH	2	5 2L		
	40	23340-A3210	BOLT-THROUGH	2	10 2L		N
	41	22203-01302	WASHER-SPRING	2	10 2L		
	42	22203-A3210	WASHER-SPRING	2	10 2L		
	43	23343-15811	ASSY-SWITCH	1	1 2L		

NISSAN MOTOR CO., LTD.

FIG. 20A

S	KEY NO.	PART NO.	PART NAME	QTY	SALES UNIT	MODEL	ICA
	44	23343-15815	ASSY-SWITCH (ISO)	1	1 2L		N
	45	23343-A3210	ASSY-SWITCH	1	1 2L		N
	46	23457-15810	PACKING	1	10 2L		
	47	23345-15810	SHIM(T=0.5)	1	10 2L		
	48	23345-15811	SHIM(T=1.0)	1	10 2L		
	49	23344-15810	SCREW	3	10 2L		
	50	23344-A3210	SCREW	3	10 2L		N
	51	22203-01302	WASHER-SPRING	3	10 2L		
	52	23349-15810	WASHER	3	10 2L		
	53	00124-63910	BOLT TO FIX STARTER MOTOR	2	25 2L		
	54	00015-21610	WASHER-LOCK TO FIX STARTER MOTOR	2	50 2L		
	55	00015-41610	WASHER-PLAIN TO FIX STARTER MOTOR	2	50 2L		
	56	23497-A3210	ASSY-BAND SET	1	1 2L		
	57	23498-A3210	SCREW	2	1 2L		
	58	22203-32210	WASHER-SPRING	2	50 2L		

FIG. 21-1 L2 NISSAN MOTOR CO., LTD.



NISSAN MOTOR CO., LTD.

FIG. 21-2

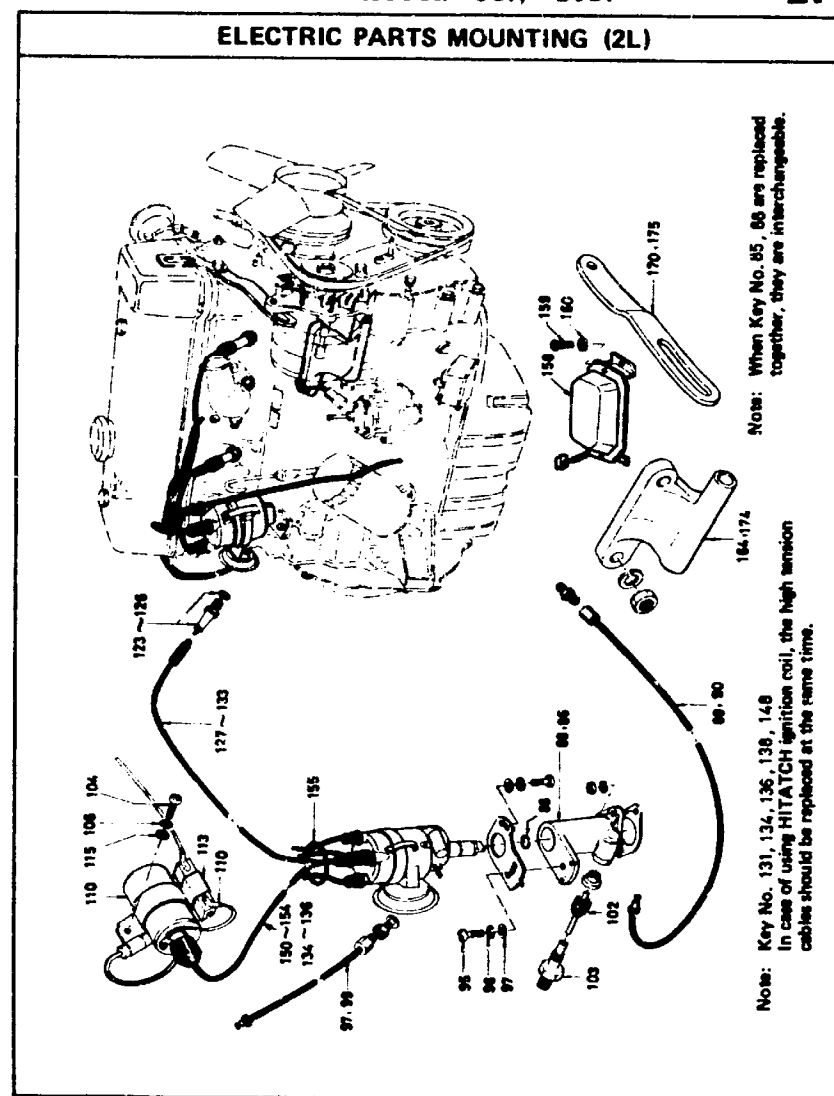


FIG. 21 L3 NISSAN MOTOR CO., LTD.

S	KEY NO.	PART NO.	PART NAME	QTY	SALES UNIT	MODEL	ICA
<b>ELECTRIC PARTS MOUNTING</b>							
•	1	22177-14600	SUPPORT-DISTRIBUTOR	1	1.6L		
•	2	22177-18025	SUPPORT-DISTRIBUTOR	1	1.6L		Y
•	3	22188-71200	RING-NOV. DISTRIBUTOR SUPPORT	1	10 1.6L		
•	4	32706-26760	BUSHING-SPEEDOMETER DRIVE PINION	1	2 1.6L		
•	5	22179-32200	PACKING-DISTRIBUTOR SUPPORT	1	10 1.6L		
•	6	22179-E3000	PACKING-DISTRIBUTOR SUPPORT	1	10 1.6L		Y
•	7	00911-24400	NUT	2	50 1.6L		
•	8	00915-11410	WASHER-LOCK	2	50 1.6L		
•	9	00367-41210	SCREW	1	50 1.6L		
•	10	00915-11410	WASHER-LOCK	1	50 1.6L		
•	11	00915-41410	WASHER-PLAIN	1	50 1.6L		
•	12	22318-12200	TUBE-VAC CONTROL (TO SEP-67)	1	1.6L		
•	13	22318-14600	TUBE-VAC CONTROL (FROM OCT-67)	1	5 1.6L		Y
•	14	22951-10409	PINION-DRIVE, TACHOMETER	1	1 1.6L		
•	15	32707-32200	ASSY-BLEFVE, SPEEDOMETER PINION	1	5 1.6L		
•	16	32707-18000	ASSY-BLEFVE, SPEEDOMETER PINION	1	1 1.6L		Y
•	17	22952-10401	ASSY-TUBE, OIL FEED, TACHOMETER DRIVE	1	1.6L		

NISSAN MOTOR CO., LTD.

FIG. 21

S	KEY NO.	PART NO.	PART NAME	QTY	SALES UNIT	MODEL	ICA
•	18	22952-10402	ASSY-TUBE, OIL FEED, TACHOMETER DRIVE	1	5 1.6L		Y
•	19	22954-10400	CONNECTOR-OIL FEED TUBE	1	2 1.6L		
•	20	22433-14400	COIL-IGNITION(HANSHIN)	1	1.6L		
•	21	22433-14401	COIL-IGNITION(HANSHIN)	1	1 1.6L		Y
•	22	22433-14615	COIL-IGNITION(HANSHIN) (ISO)	1	1 1.6L		Y
•	23	22433-14616	COIL-IGNITION(HANSHIN)	1	1 1.6L		Y
•	24	22433-14600	COIL-IGNITION(HITACHI)	1	10 1.6L		
•	25	22433-14605	COIL-IGNITION(HITACHI) (ISO)	1	1 1.6L		Y
•	26	22433-14606	COIL-IGNITION(HITACHI)	1	1 1.6L		C
•	27	22468-14400	RESISTOR-IGNITION(HANSHIN)	1	1 1.6L		
•	28	22468-14615	RESISTOR-IGNITION(HANSHIN) (ISO)	1	1 1.6L		Y
•	29	22468-14600	RESISTOR-IGNITION(HITACHI)	1	10 1.6L		
•	30	22468-14605	RESISTOR-IGNITION(HITACHI) (ISO)	1	1 1.6L		Y
•	31	22468-14606	RESISTOR-IGNITION(HITACHI)	1	1 1.6L		Y
•	32	24016-14600	ASSY-CABLE, IGNITION	1	1 1.6L		
•	33	00314-41212	SCREW TO FIX IGNITION COIL	2	50 1.6L		
•	34	00915-11410	WASHER-LOCK TO FIX IGNITION COIL	2	50 1.6L		
•	35	00915-41410	WASHER-PLAIN TO FIX IGNITION COIL	2	50 1.6L		
•	36	22451-36700	ASSY-CABLE, HIGH TENSION (NO.1) (YAZAKI)	1	10 1.6L		

FIG. 21 L4 NISSAN MOTOR CO., LTD.

S	KEY NO.	PART NO.	PART NAME	QTY	SALES UNIT	MODEL	ICA
	37	22452-38700	ASSY-CABLE,HIGH TENSION (NO,2) (YAZAKI)	1	10	1.6L	Y
	38	22453-38700	ASSY-CABLE,HIGH TENSION (NO,3) (YAZAKI)	1	10	1.6L	
	39	22454-38700	ASSY-CABLE,HIGH TENSION (NO,4) (YAZAKI)	1	10	1.6L	
	40	22450-14600	ASSY-CABLE,HIGH TENSION (YAZAKI)(COIL TO DISTRIBUTOR)	1	9	SP	
	41	22450-32201	ASSY-CABLE,HIGH TENSION (YAZAKI)(COIL TO DISTRIBUTOR)	1	10	SPL	
	42	22450-14627	SET HIGH TENSION CABLE (SUMITOMO)	1		1.6L R DRIVE	
	43	22450-14626	SET HIGH TENSION CABLE (SUMITOMO)	1	1	1.6L R DRIVE	Y
	44	22450-14629	SET HIGH TENSION CABLE (SUMITOMO)	1	1	1.6L R DRIVE	C
	45	22450-14628	SET HIGH TENSION CABLE (SUMITOMO)	1	1	1.6L R DRIVE	Y
	46	22450-25926	SET HIGH TENSION CABLE (SUMITOMO)	1	1	1.6L L DRIVE	
	47	22450-25925	SET HIGH TENSION CABLE (YAZAKI)	1	1	1.6L L DRIVE	
	48	22450-25928	SET HIGH TENSION CABLE (SUMITOMO)	1	1	1.6L L DRIVE	C
	49	22450-25927	SET HIGH TENSION CABLE (YAZAKI)	1	1	1.6L L DRIVE	Y
	50	22451-66010	ASSY CABLE HIGH TENSION NO.1 (SUMITOMO)	1	9	1.6L	
	51	22452-66010	ASSY CABLE HIGH TENSION NO.2 (SUMITOMO)	1	9	1.6L	
	52	22453-66010	ASSY CABLE HIGH TENSION NO.3 (SUMITOMO)	1	9	1.6L	

NISSAN MOTOR CO., LTD.

FIG. 21

S	KEY NO.	PART NO.	PART NAME	QTY	SALES UNIT	MODEL	ICA
	53	22454-66010	ASSY CABLE HIGH TENSION NO.4 (SUMITOMO)	1	9	1.6L	
	54	22450-14611	CABLE HIGH TENSION (COIL TO DISTRIBUTOR) (SUMITOMO)	1		1.6L R DRIVE	
	55	22450-14612	CABLE HIGH TENSION (COIL TO DISTRIBUTOR) (SUMITOMO)	1		1.6L R DRIVE	C
	56	22450-A7400	CABLE-HIGH TENSION COIL TO DISTRIBUTOR(SUMITOMO)	1	9	1.6L R DRIVE	
	57	22450-25910	CABLE HIGH TENSION (COIL TO DISTRIBUTOR) (SUMITOMO)	1		1.6L L DRIVE	
	58	22450-25911	CABLE HIGH TENSION (COIL TO DISTRIBUTOR) (SUMITOMO)	1	1	1.6L L DRIVE	C
	59	22431-10560	RING-HIGH TENSION CAPL E	1	10	1.6L	
	60	22401-58000	PLUG-SPARK (NGK B-8E)	4	10	1.6L	
	61	22401-E6610	PLUG-SPARK (NGK B5E5)	4	1	1.6L	Y
	62	22401-32200	PLUG-SPARK (HITACHI)	4		1.6L	
	63	22401-32201	PLUG-SPARK (HITACHI)	4	10	1.6L	Y
	64	22401-A4805-01	PLUG-SPARK (HITACHI)	4	1	1.6L	Y
	65	23139-12900	BOLT TO FIX ALTERNATOR TO BRACKET	1	10	1.6L	
	66	00919-11510	WASHER-LOCK TO FIX ALTERNATOR TO BRACKET	1	50	1.6L	
	67	00911-24510	NUT TO FIX ALTERNATOR TO BRACKET	1	50	ALL	
	68	23500-14600	REGULATOR-VOLTAGE(12V300W)	1		ALL	
	69	23500-14602	REGULATOR-VOLTAGE(12V300W)(RL-7B3)(FROM E/P N-2214)	1		ALL	Y

FIG. 21 L5 NISSAN MOTOR CO., LTD.

S	KEY NO.	PART NO.	PART NAME	QTY	SALES UNIT	MODEL	ICA
	70	23500-14603	REGULATOR-VOLTAGE (12V 300W)(RL-253)(FROM E/P P-2214)	1		ALL	Y
	71	23500-14814	ASSY-REGULATOR VOLTAGE	1	1	ALL	Y
	72	23500-89910	ASSY-REGULATOR VOLTAGE (MITSUBISHI)	1	1	ALL	Y
	73	00314-41610	SCREW TO FIX VOLTAGE REGULATOR	2	50	1.6L	
	74	00915-11410	WASHER-LOCK TO FIX VOLTAGE REGULATOR	2	50	1.6L	
	75	23168-12900	ASSY-BRACKET, ALTERNATOR MOUNTING	1	1	ALL	
	76	11710-25602	BRACKET-ALTERNATOR (FROM OCT-67)	1	1	SPLU & SRLU	
	77	00134-62510	BOLT TO FIX BRACKET TO CYLINDER BLOCK	3	50	ALL	
	78	00915-21610	WASHER-LOCK TO FIX BRACKET TO CYLINDER BLOCK	3	50	ALL	
	79	23174-14600	BAR-ADJUSTING, ALTERNATOR	1	1	1.6L	
	80	23174-14601	BAR-ADJUSTING, ALTERNATOR (FROM E/P R-10681, C/P # SP311-00947, SPL311-03684)	1	1	1.6L EXC SPLU	N
	81	11715-14700	BAR-ADJUST, ALTERNATOR	1		SPLU	
	82	11715-14701	BAR-ADJUST, ALTERNATOR	1	1	SPLU	N
	83	00915-11610	WASHER-LOCK TO FIX BAR TO CYLINDER HEAD	1	50	1.6L	
	84	00911-24610	NUT TO FIX BAR TO CYLINDER HEAD	1	50	1.6L	
	85	22177-25501	SUPPORT-DISTRIBUTOR (TO E/P U20-2338)	1	1	2L	
	86	22177-25502	SUPPORT-DISTRIBUTOR (FROM E/P U20-2339)	1	1	2L	N

NISSAN MOTOR CO., LTD.

FIG. 21

S	KEY NO.	PART NO.	PART NAME	QTY	SALES UNIT	MODEL	ICA
	87	22177-25503	SUPPORT-DISTRIBUTOR	1	1	2L	C
	88	22188-71200	SPRING, DISTRIBUTOR SUPPORT	1	10	2L	
	89	22952-25500	TUBE-OIL FEED (TO E/P U20-2338)	1	1	2L	
	90	22952-25501	TUBE-OIL FEED (FROM E/P U20-2339)	1	1	2L	N
	91	22952-25503	TUBE-OIL FEED	1	5	2L	C
	92	22954-25500	CONNECTOR-OIL FEED TUBE	1	10	2L	
	93	00128-62210	BOLT-HEXAGON HEAD M6 X 1.0	2	50	2L	
	94	00915-13610	WASHER-SPRING M6	2	50	2L	
	95	00318-61212	SCREW-PAN HEAD M6 X 1.0 X 12	1	50	2L	
	96	00915-13610	WASHER-SPRING M6	1	50	2L	
	97	00915-43610	WASHER-PLAIN M6	1	50	2L	
	98	22318-25500	TUBE-VACUUM ADVANCE	1	5	2L EXC SRLU	
	99	22318-25501	TUBE-VACUUM ADVANCE	1		2L EXC SRLU	Y
	100	22318-25600	TUBE-VACUUM ADVANCE	1	5	SRLU	
	101	22318-25601	TUBE-VACUUM ADVANCE	1	5	SRLU	Y
	102	22951-10400	PINION-DRIVE, TACHOMETER	1	1	2L	
	103	32707-18810	ASSY-BLEEV, SPEEDOMETER PINION	1	5	2L	
	104	32709-14600	SPRING, SPEEDOMETER PINION	1	10	2L	
	105	32710-84100	SPRING, SPEEDOMETER PINION	1	10	2L	

FIG. 21 L6 NISSAN MOTOR CO., LTD.

S	KEY NO.	PART NO.	PART NAME	QTY	SALES UNIT	MODEL	ICA
•	10 <sup>6</sup>	27433-14600	COIL-IGNITION 12V(HITACHI)	1	10 2L		
•	107	27433-14605	COIL-IGNITION 12V (HITACHI) (ISO)	1	1 2L		Y
	10 <sup>7</sup>	27433-14606	COIL-IGNITION 12V (HITACHI)	1	1 2L		C
•	10 <sup>7</sup>	27433-14615	COIL-IGNITION (HANSHPIN) (ISO)	1	1 2L		
	11 <sup>0</sup>	27433-14616	COIL-IGNITION (HANSHPIN)	1	1 2L		Y
•	111	27460-14600	REGISTER-IGNITION COIL	1	10 2L		
•	112	27460-14605	REGISTER-IGNITION COIL (ISO)	1	1 2L		Y
	113	27460-14606	REGISTER-IGNITION COIL	1	1 2L		Y
	114	00314-41212	SCREW-1/4-28 TO ATTACH COIL TO BODY	2	50 2L		
	11 <sup>5</sup>	00915-41410	WASHER-PLAIN TO ATTACH COIL TO BODY	2	50 2L		
	11 <sup>6</sup>	00915-11410	WASHER-SPRING TO ATTACH COIL TO BODY	2	50 2L		
	117	27000-16500	KIT-IGNITION, TRANSISTERS (HITACHI)	1	OP, 2L		
	11 <sup>0</sup>	27020-16500	UNIT-TRANSISTER, IGNITION	1	1 OP, 2L		
	11 <sup>0</sup>	27433-13000	COIL-IGNITION	1	1 OP, 2L		
	12 <sup>0</sup>	27460-16500	REGISTER-IGNITION	1	1 OP, 2L		
	121	27460-16501	REGISTER-IGNITION	1	1 OP, 2L		
	12 <sup>2</sup>	24028-16500	ASSY-CABLE, IGNITION	1	1 OP, 2L		
•	12 <sup>3</sup>	27401-58000	PLUG-SPARK(N,G,K,B-7F) STANDARD	4	10 ALL		
	12 <sup>4</sup>	27401-58001	PLUG-SPARK(N,G,K,B-7F) HOT TYPE	4	10 ALL		

NISSAN MOTOR CO., LTD.

FIG. 21

S	KEY NO.	PART NO.	PART NAME	QTY	SALES UNIT	MODEL	ICA
•	125	22401-10605	PLUG-SPARK(N,G,K,B-7F) COLD TYPE	4	10 ALL		
	126	22401-A0200	PLUG-SPARK(N,G,K,B-7F) COLD TYPE	4	10 ALL		Y
•	127	22451-66000	ASSY-CABLE,HIGH TENSION (NO,1) (YAZAKI)	1	10 2L		
	128	22451-66001	ASSY-CABLE,HIGH TENSION (NO,1) (YAZAKI)	1	2L		Y
•	129	22452-66000	ASSY-CABLE,HIGH TENSION (NO,2) (YAZAKI)	1	10 2L		
	130	22452-66001	ASSY-CABLE,HIGH TENSION (NO,2) (YAZAKI)	1	2L		Y
•	131	22453-66000	ASSY-CABLE,HIGH TENSION (NO,3) (YAZAKI)	1	10 2L		
•	132	22454-66000	ASSY-CABLE,HIGH TENSION (NO,4) (YAZAKI)	1	10 2L		
	133	22454-66010	ASSY-CABLE,HIGH TENSION (NO,4)	1	2L		Y
	134	22458-25500	ASSY-CABLE,IGNITION COIL TO DISTRIBUTOR (YAZAKI)	1	10 SRL		
	135	22458-25501	ASSY-CABLE,IGNITION COIL TO DISTRIBUTOR (YAZAKI)	1	10 SRL		C
	136	22458-14601	ASSY-CABLE,IGNITION COIL TO DISTRIBUTOR (YAZAKI)	1	10 SR		
	137	22458-14602	ASSY-CABLE,IGNITION COIL TO DISTRIBUTOR (YAZAKI)	1	1 SR		C
•	138	22458-14627	SET-HIGH TENSION CABLE (SUNITOMO)	1	2L R DRIVE		
•	139	22458-14626	SET-HIGH TENSION CABLE (SUNITOMO)	1	1 2L R DRIVE		Y
•	140	22458-14626	SET-HIGH TENSION CABLE (SUNITOMO)	1	1 2L R DRIVE		C

FIG. 21 L7 NISSAN MOTOR CO., LTD.

S	KEY NO.	PART NO.	PART NAME	QTY	SALES UNIT	MODEL	ICA
	141	22450-14620	SET-HIGH TENSION CABLE	1	1	2L L DRIVE	Y
•	142	22450-25526	SET-HIGH TENSION CABLE (SUMITOMO)	1	1	2L L DRIVE	
•	143	22450-25525	SET-HIGH TENSION CABLE (SUMITOMO)	1	1	2L L DRIVE	
•	144	22450-25528	SET HIGH TENSION CABLE (SUMITOMO)	1	1	2L L DRIVE	C
	145	22450-25527	SET HIGH TENSION CABLE (YAZAKI)	1	1	2L L DRIVE	Y
•	146	22451-66010	ASSY CABLE HIGH TENSION NO.1 (SUMITOMO)	1	5	2L	
•	147	22452-66010	ASSY CABLE HIGH TENSION NO.2 (SUMITOMO)	1	5	2L	
•	148	22453-66010	ASSY CABLE HIGH TENSION NO.3 (SUMITOMO)	1	5	2L	
•	149	22454-66010	ASSY CABLE HIGH TENSION NO.4 (SUMITOMO)	1	5	2L	
	150	22450-14611	CABLE HIGH TENSION (CABLE TO DISTRIBUTOR) (SUMITOMO)	1		2L R DRIVE	
	151	22450-14612	CABLE HIGH TENSION (CABLE TO DISTRIBUTOR) (SUMITOMO)	1		2L R DRIVE	C
	152	22450-A7400	CABLE-HIGH TENSION COIL TO DISTRIBUTOR (SUMITOMO)	1	5	2L R DRIVE	
•	153	22450-25510	CABLE HIGH TENSION (CABLE TO DISTRIBUTOR) (SUMITOMO)	1		2L R DRIVE	
•	154	22450-25511	CABLE HIGH TENSION (CABLE TO DISTRIBUTOR) (SUMITOMO)	1	1	2L R DRIVE	C
	155	22431-10560	RING-HIGH TENSION CARL E, BLACK RUBBER	1	10	2L	
•	156	23500-14603	ASSY-REGULATOR, VOLTAGE (MITSUBISHI)	1		2L	

NISSAN MOTOR CO., LTD.

FIG. 21

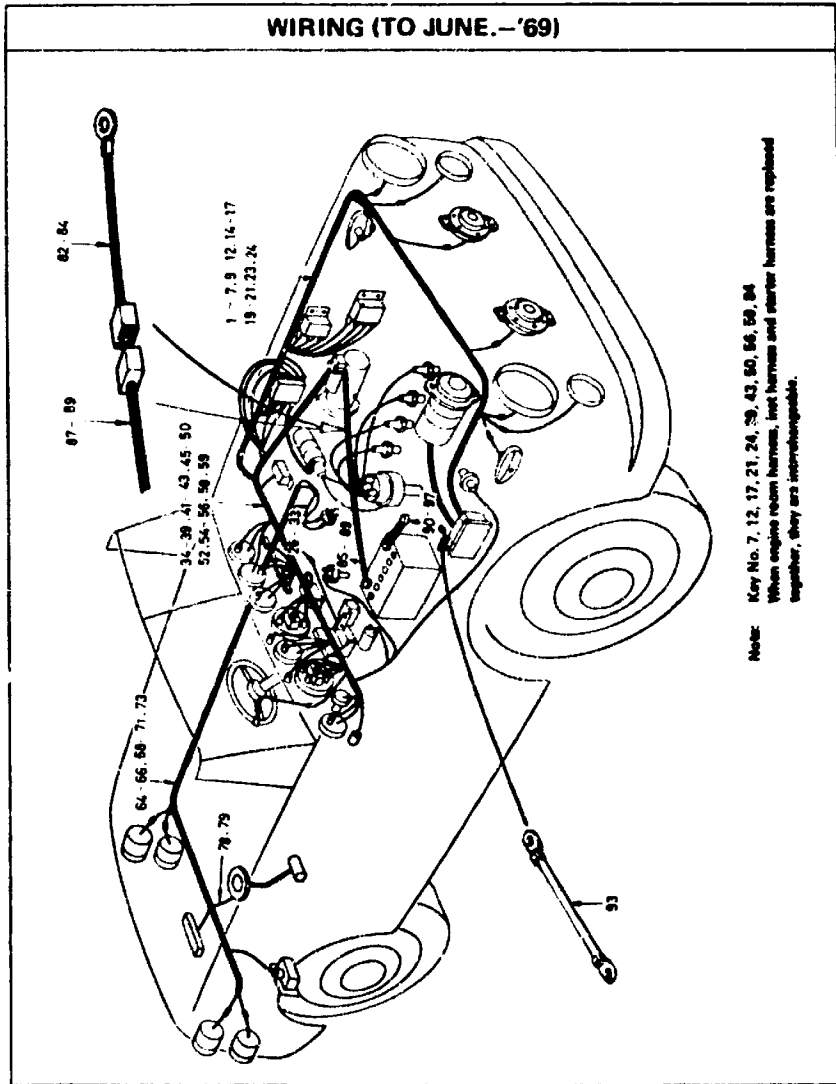
S	KEY NO.	PART NO.	PART NAME	QTY	SALES UNIT	MODEL	ICA
•	157	23500-14614	ASSY-REGULATOR, VOLTAGE (MITSUBISHI)	1	1	2L	Y
	158	23500-89910	ASSY-REGULATOR, VOLTAGE (MITSUBISHI)	1	1	2L	Y
	159	00314-41620	SCREW-PAN HEAD 1/4-20 UNF X 16 TO ATTACH REGULATOR TO HOOD LEGS	2	50	2L	
	160	00915-11410	WASHER-SPRING TO ATTACH REGULATOR TO HOOD LEGS	2	50	2L	
	161	11710-25500	BRACKET-ALTERNATOR	1		SRL	
	162	00134-02510	BOLT-HEXAGON HEAD M10 X 1.25 TO ATTACH BRACKET TO CYLINDER BLOCK	3	50	SRL	
	163	00915-24010	WASHER-SPRING M10 TO ATTACH BRACKET TO CYLINDER BLOCK	3	50	SRL	
	164	11711-25500	SUPPORT-ALTERNATOR	1	1	SRL	
	165	11712-25500	BOLT TO ATTACH BRACKET TO ALTERNATOR	1	10	SRL	
	166	00911-24010	NUT-HEXAGON M10 X 1.25 TO ATTACH BRACKET TO ALTERNATOR	1	50	SRL	
•	167	21107-E4200	NUT-HEXAGON M10X1.25 TO ATTACH BRK. TO ALTERNATOR	1	10	SRL	Y
	168	00915-24010	WASHER-SPRING M10 TO ATTACH BRACKET TO ALTERNATOR	1	50	SRL	
	169	11717-25500	SPACER-SUPPORT TO ALTERNATOR	2		SRL	
	170	11715-25500	BAR-ADJUSTING, ALTERNATOR	1	5	SRL	
	171	11710-25600	BRACKET-ALTERNATOR	1	1	SR	
	172	11712-25600	BOLT TO ATTACH BRACKET TO ALTERNATOR	1	10	SR	

FIG. 21 L8 NISSAN MOTOR CO., LTD.

S	KEY NO.	PART NO.	PART NAME	QTY	SALES UNIT	MODEL	ICA
	173	09915-14010	WASHER-SPRING TO ATTACH H BRACKET TO ALTERNATOR	1	50 SR		
	174	11711-25600	SUPPORT-ALTERNATOR	1	1 SR		
	175	11715-25600	BAR-ADJUSTING, ALTERNATOR	1	5 SR		



FIG. 22-1 L9 NISSAN MOTOR CO., LTD.



NISSAN MOTOR CO., LTD.

FIG. 22-2

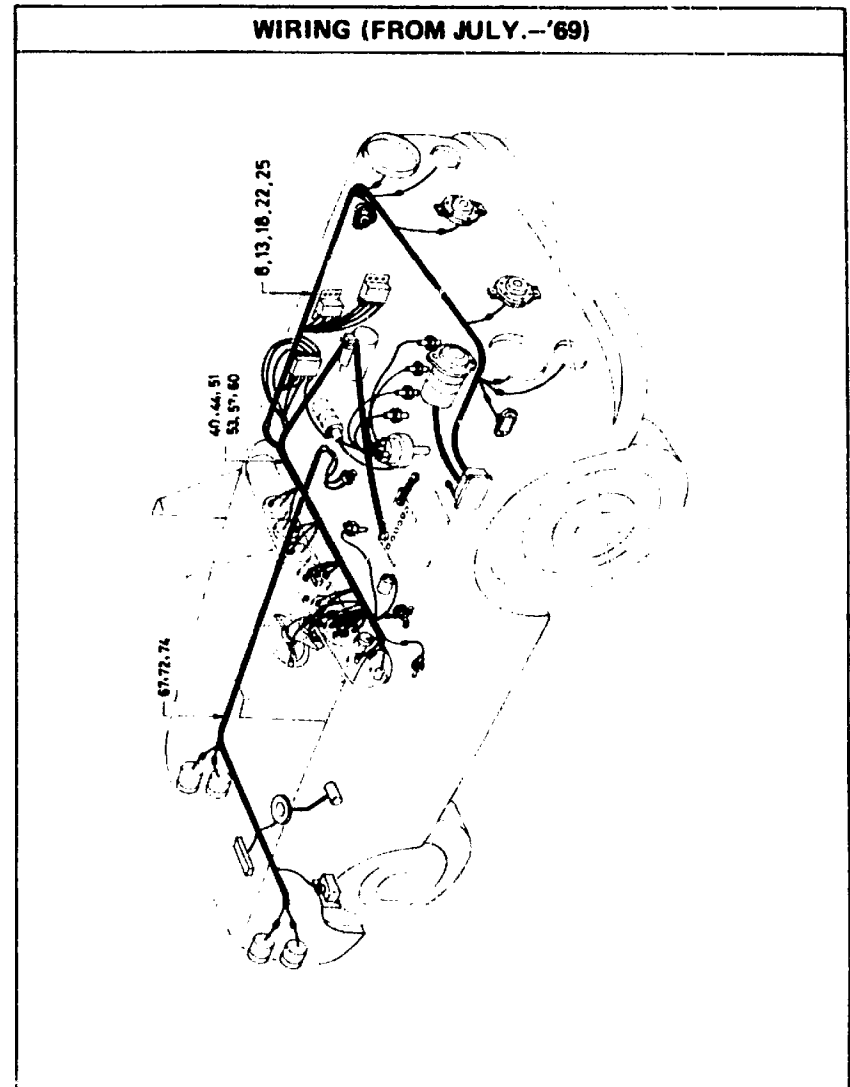


FIG. 22 L10 NISSAN MOTOR CO., LTD.

S	KEY NO.	PART NO.	PART NAME	QTY	SALES UNIT	MODEL	ICA
			<b>WIRING</b>				
1		24012-14601	ENGINE ROOM HARNESS (T O C/O SPL311-3323,SP31 1-RU)	1	1 1.6L		
2		24012-14604	COMP.-CABLE,ENGINE ROO M HARNESS(FROM C/O SPL 311-003324 SP311-00081 1)	1	1 1.6L	N	
3		24012-14610	ENGINE ROOM HARNESS (TO SEP-67)	1	1 1.6L	Y	
4		24012-14611	ENGINE ROOM HARNESS (FROM OCT-67)	1	1 SP	N	
5		24012-14701	ENGINE ROOM HARNESS (FROM OCT-67)	1	1 SPL	N	
6		24012-A3203	ENGINE ROOM HARNESS (FROM OCT-68)	1	1 SP,SPL EXC USA & CANA DA	N	
7		24012-A3207	ENGINE ROOM HARNESS (TO JUNE-69)	1	1 SP,SPL EXC USA & CANA DA	C	
8		24012-A7501	ENGINE ROOM HARNESS (FROM JULY-69)	1	1 SP,SPL EXC USA & CANA DA	N	
9		24012-25600	ENGINE ROOM HARNESS (TO SEP-67)	1	1 SR		
10		24012-25901	ENGINE ROOM HARNESS (FROM OCT-67 TO SEP- 68)	1	1 SR	N	
11		24012-A3202	ENGINE ROOM HARNESS (FROM OCT-68)	1	1 SR	N	
12		24012-A3206	ENGINE ROOM HARNESS (TO JUNE-69)	1	1 SR	C	
13		24012-A7500	ENGINE ROOM HARNESS (FROM JULY-69)	1	1 SR	N	

NISSAN MOTOR CO., LTD.

FIG. 22

S	KEY NO.	PART NO.	PART NAME	QTY	SALES UNIT	MODEL	ICA
14		24012-25500	ENGINE ROOM HARNESS (TO SEP-67)	1	1 SRL		
15		24012-26001	ENGINE ROOM HARNESS (FROM OCT-67 TO SEP- 68)	1	1 SRL	N	
16		24012-A3302	ENGINE ROOM HARNESS (FROM OCT-68)	1	1 SRL EXC USA & CANA DA	N	
17		24012-A3305	ENGINE ROOM HARNESS	1	1 SRL EXC USA & CANA DA	C	
18		24012-A7001	ENGINE ROOM HARNESS (FROM JULY-69)	1	1 SRL EXC USA & CANA DA	N	
19		24012-26000	ENGINE ROOM HARNESS (FROM OCT-67 TO SEP- 68)	1	1 USA	N	
20		24012-A3301	ENGINE ROOM HARNESS (FROM OCT-68)	1	1 1.6L USA & CANADA	N	
21		24012-A3304	ENGINE ROOM HARNESS (TO JUNE-69)	1	1 1.6L USA & CANADA	C	
22		24012-A7700	ENGINE ROOM HARNESS (FROM JULY-69)	1	1 1.6L USA & CANADA	N	
23		24012-A3300	ENGINE ROOM HARNESS (FROM OCT-68)	1	1 2L USA & CANADA	N	
24		24012-A3303	ENGINE ROOM HARNESS (TO JUNE-69)	1	1 2L USA & CANADA	C	
25		24012-A7800	ENGINE ROOM HARNESS (FROM JULY-69)	1	1 2L USA & CANADA	N	
26		24149-14600	CABLE-REVERSE LAMP SW (TO SEP-67)	1	1 1.6L		
27		24149-25501	CABLE-REVERSE LAMP SW (TO SEP-67)	1	1 2L		
28		24149-14601	CABLE-REVERSE LAMP SW (FROM OCT-67 TO SEP- 68)	1	1 ALL	N	

FIG. 22 L11 NISSAN MOTOR CO., LTD.

S	KEY NO.	PART NO.	PART NAME	QTY	SALES UNIT	MODEL	ICA
	29	24149-14602	CABLE REVERSE LAMP SW (FROM OCT-68 TO JUNE-69)	1	1 1.6L	N	
	30	24149-A7401	CABLE REVERSE LAMP SW (FROM JULY-69)	1	1 1.6L EXC EMISSION CONTROL	N	
	31	24149-A7700	CABLE REVERSE LAMP SW (FROM JULY-69)	1	1 1.6L EMISSION CONTROL	N	
	32	24149-14601	CABLE REVERSE LAMP SW (FROM OCT-68 TO JUNE-69)	1	1 2L	N	
	33	24149-A7400	CABLE REVERSE LAMP SW (FROM JULY-69)	1	1 2L	N	
	34	24013-14601	INSTRUMENT HARNESS (TO C/P SP311-8110)	1	1 SP		
	35	24013-14603	INSTRUMENT HARNESS (FR OMC/SP311-811 TO E/SP-48800)	1	1 SP	N	
	36	24013-25500	INSTRUMENT HARNESS (FR OM E/SP-40001 TO SEP-67)	1	1 SP, SN	N	
	37	24013-25900	INSTRUMENT HARNESS (FROM OCT-67 TO SEP-68)	1	1 SP	N	
	38	24013-A3203	INSTRUMENT HARNESS (FROM OCT-66)	1	1 SP	N	
	39	24013-A3207	INSTRUMENT HARNESS (TO JUNE-69)	1	1 SP	C	
	40	24013-A7501	INSTRUMENT HARNESS (FROM JULY-69)	1	1 SP	N	
	41	24013-25901	INSTRUMENT HARNESS (FROM OCT-67 TO SEP-68)	1	1 SR	N	
	42	24013-A3202	INSTRUMENT HARNESS (FROM OCT-66)	1	1 SR	N	

NISSAN MOTOR CO., LTD.

FIG. 22

S	KEY NO.	PART NO.	PART NAME	QTY	SALES UNIT	MODEL	ICA
	43	24013-A3206	INSTRUMENT HARNESS (TO JUNE-69)	1	1 SR	C	
	44	24013-A7500	INSTRUMENT HARNESS (FROM JULY-69)	1	1 SR	N	
	45	24013-14701	INSTRUMENT HARNESS (TO C/SP311-3323)	1	1 SPL		
	46	24013-14703	INSTRUMENT HARNESS (FR OMC/SP311-3324 TO E/SP-48800)	1	1 SPL	N	
	47	24013-25600	INSTRUMENT HARNESS (FR OM E/SP-40001 TO SEP-67)	1	1 L DRIVE	N	
	48	24013-26000	INSTRUMENT HARNESS (FROM OCT-67 TO SEP-68)	1	1 1.6L L DRIVE	N	
	49	24013-A3301	INSTRUMENT HARNESS (FROM OCT-66)	1	1 1.6L USA & CANADA	N	
	50	24013-A3305	INSTRUMENT HARNESS (TO JUNE-69)	1	1 1.6L USA & CANADA	C	
	51	24013-A7700	INSTRUMENT HARNESS (FROM JULY-69)	1	1 1.6L USA & CANADA	N	
	52	24013-A3303	INST HARNESS FOR PASSING LIGHT (FROM OCT-66 TO JUNE-69)	1	1 1.6L L DRIVE	N	
	53	24013-A7701	INSTRUMENT HARNESS FOR PASSING LIGHT (FROM JULY-69)	1	1 1.6L L DRIVE	N	
	54	24013-26001	INSTRUMENT HARNESS (FROM OCT-67 TO SEP-68)	1	1 2L L DRIVE	N	
	55	24013-A3300	INSTRUMENT HARNESS (FROM OCT-66)	1	1 2L USA & CANADA	N	
	56	24013-A3304	INSTRUMENT HARNESS (TO JUNE-69)	1	1 2L USA & CANADA	C	
	57	24013-A7500	INSTRUMENT HARNESS (FROM JULY-69)	1	1 2L USA & CANADA	N	

FIG. 22 L12 NISSAN MOTOR CO., LTD.

S	KEY NO.	PART NO.	PART NAME	QTY	SALES UNIT	MODEL	ICA
	58	24013-A3302	INSTRUMENT HARNESS FOR PASSING LIGHT (FROM OCT-66)	1	1	2L L DRIVE EXC USA & CANADA	N
	59	24013-A3306	INSTRUMENT HARNESS FOR PASSING LIGHT (TO JUNE-69)	1	1	2L L DRIVE EXC USA & CANADA	C
	60	24013-A7301	INSTRUMENT HARNESS FOR PASSING LIGHT (FROM JULY-69)	1	1	2L L DRIVE EXC USA & CANADA	N
	61	24261-58000	BULB (12V-3W)	10	10	ALL	
	62	24713-89970	BULB (12V-2W)	10	10	ALL	Y
	63	24261-30100	BULB (12V-1.5W)	2	2	ALL	
	64	24014-14600	CHASSIS HARNESS (TO SEP-67)	1	1	SP,SR	
	65	24014-25900	CHASSIS HARNESS (FROM OCT-67 TO SEP-68)	1	1	SP,SR	N
	66	24014-25901	CHASSIS HARNESS (FROM OCT-68 TO JUNE-69)	1	1	SP,SR	N
	67	24014-A7500	CHASSIS HARNESS (FROM JULY-69)	1	1	SP,SR	N
	68	24014-14700	CHASSIS HARNESS (TO E/N R-40300)	1	1	SPL	
	69	24014-25600	CHASSIS HARNESS (FROM E/N-40001 TO SEP-67)	1	1	SPL,SPL	N
	70	24014-26000	CHASSIS HARNESS (FROM OCT-67 TO SEP-68)	1	1	L DRIVE	
	71	24014-26070	CHASSIS HARNESS (FROM OCT-68 TO JUNE-69)	1	1	SPL,SPL	Y
	72	24014-A7801	CHASSIS HARNESS (FROM JULY-69)	1	1	SPL,SPL	N
	73	24014-A3300	CHASSIS HARNESS (FROM OCT-68 TO JUNE-69)	1	1	USA	N
	74	24014-A7800	CHASSIS HARNESS (FROM JULY-69)	1	1	USA & CANADA	N

NISSAN MOTOR CO., LTD.

FIG. 22

S	KEY NO.	PART NO.	PART NAME	QTY	SALES UNIT	MODEL	ICA
	75	00951-10600	BRONNET	2	10	ALL	
	76	24250-A7400	BRONNET WIRING (FROM JULY-69)	1	10	ALL	
	77	24251-A7400	BRONNET WIRING (FROM JULY-69)	1	10	ALL	
	78	24017-25900	CABLE-FUEL TANK GAUG (NOT ADOPTED)	1	1	ALL	
	79	24017-14600	CABLE-FUEL TANK GAUG	1	1	ALL	Y
	80	00314-41012	SCREW TO FIX CHASSIS & ENGINE HARNESS PARTS TO FRAME	2	50	ALL	
	81	00915-11410	WASHER-LOCK TO FIX CHASSIS & ENGINE HARNESS PARTS TO FRAME	2	50	ALL	
	82	24020-14601	HARNESS-STARTER TO INSTRUMENT HARNESS (TO SEP-67)	1	1	ALL	
	83	24010-25900	HARNESS-STARTER TO INSTRUMENT HARNESS (FROM OCT-67)	1	1	ALL	N
	84	24010-A3200	HARNESS-STARTER TO INSTRUMENT HARNESS	1	1	ALL	C
	85	24110-14600	ASSY-CABLE, STARTER MOTOR	1	1	SP	
	86	24110-14700	ASSY-CABLE, STARTER MOTOR	1	1	SPL	
	87	24110-25601	ASSY-CABLE, STARTER MOTOR (FROM E/N R40001 TO SEP-69)	1	1	ALL	N
	88	24110-25600	ASSY-CABLE, STARTER MOTOR (FROM OCT-68)	1	5	ALL EXC SR	
	89	24110-25601	ASSY-CABLE, STARTER MOTOR (FROM OCT-68)	1	1	SR	
	90	24000-14600	ASSY-CABLE, GROUND CONNECTION BATTERY	1	1	SP	

FIG. 22 L13 NISSAN MOTOR CO., LTD.

S	KEY NO.	PART NO.	PART NAME	QTY	SALES UNIT	MODEL	ICA
	91	24000-25000	ASSY-CABLE,GROUND CONN ECTION BATTERY(FROM E/ # P-40001)	1	1 SP,SR		N
	92	24000-A3301	ASSY CABLE,GROUND CONN ECTION BATTERY (FROM OCT-68)	1	1 SP		
	93	24000-A3201	ASSY CABLE,GROUND CONN ECTION BATTERY (FROM OCT-68)	1	1 SR		
	94	24000-14700	ASSY-CABLE,GROUND CONN ECTION BATTERY	1	1 SPL		
	95	24000-14710	ASSY-CABLE,GROUND CONN ECTION BATTERY(FROM E/ # P-40001)	1	1 SPL SPLU		N
	96	24000-26000	CABLE-BATTERY EARTH (FROM OCT-67 TO SEP- 68)	1	1 SRL SRLU		N
	97	24000-A3301	ASSY CABLE,GROUND CONN ECTION BATTERY (FROM OCT-68)	1	1 SPL,SRL		
	98	24005-A3201	EARTH BOND	1		FRANCE	
	99	24120-12200	ASSY-CABLE,GROUND CONN ECTION,STARTER	1	5 ALL		
	100	24023-14600	ASSY-HARNES CONSOLE (TO SEP-67)	1		ALL EXC USA	
	101	24023-14601	ASSY-HARNES CONSOLE (FROM OCT-67 TO SEP-68)	1	1 ALL EXC USA		Y
	102	24023-25000	ASSY-CABLE CONSOLE	1	1 USA OP,ALL EXC USA		
	103	24023-25001	ASSY-CABLE CONSOLE (FROM OCT-67 TO SEP-68)	1	1 USA OP,ALL EXC USA		Y
	104	24023-A3201	ASSY CABLE CONSOLE WIT H HAZARD CIRCUIT(FROM OCT-68)	1	1 ALL EXC USA		N

REVISED: SEPTEMBER, 1971

22- - 7

Printed in Japan

NISSAN MOTOR CO., LTD.

FIG. 22

S	KEY NO.	PART NO.	PART NAME	QTY	SALES UNIT	MODEL	ICA
	105	24023-A3202	ASSY CABLE CONSOLE W/O HAZARD CIRCUIT(FROM OC T-68)	1	1 ALL EXC USA		
	106	24023-A3300	ASSY CABLE CONSOLE (FROM OCT-68)	1	5 USA		N
	107	00314-01212	SCREW	1	50 ALL		
	108	00314-01210	BOLT	1	50 ALL		
	109	00015-11410	WASHER-SPRING	2	50 ALL		
	110	00015-01410	WASHER-PLAIN	2	50 ALL		
	111	24020-76000	HARNES THERMAL T/M	1	1 1.6L		
	112	24070-25600	G/CONN TO ALTERNATOR	1	1 SR,R USA		

REVISED: SEPTEMBER, 1971

22- - 8

Printed in Japan

FIG. 22A-1 L14 NISSAN MOTOR CO., LTD.

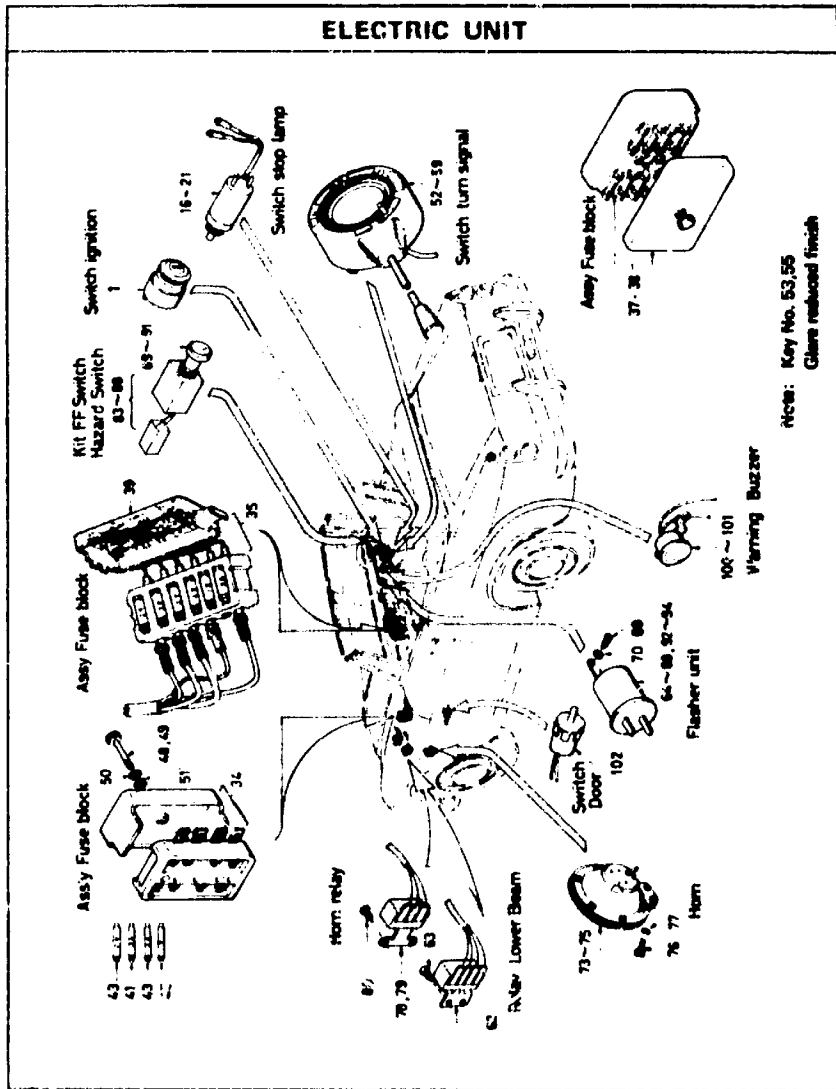


FIG. 22A-2

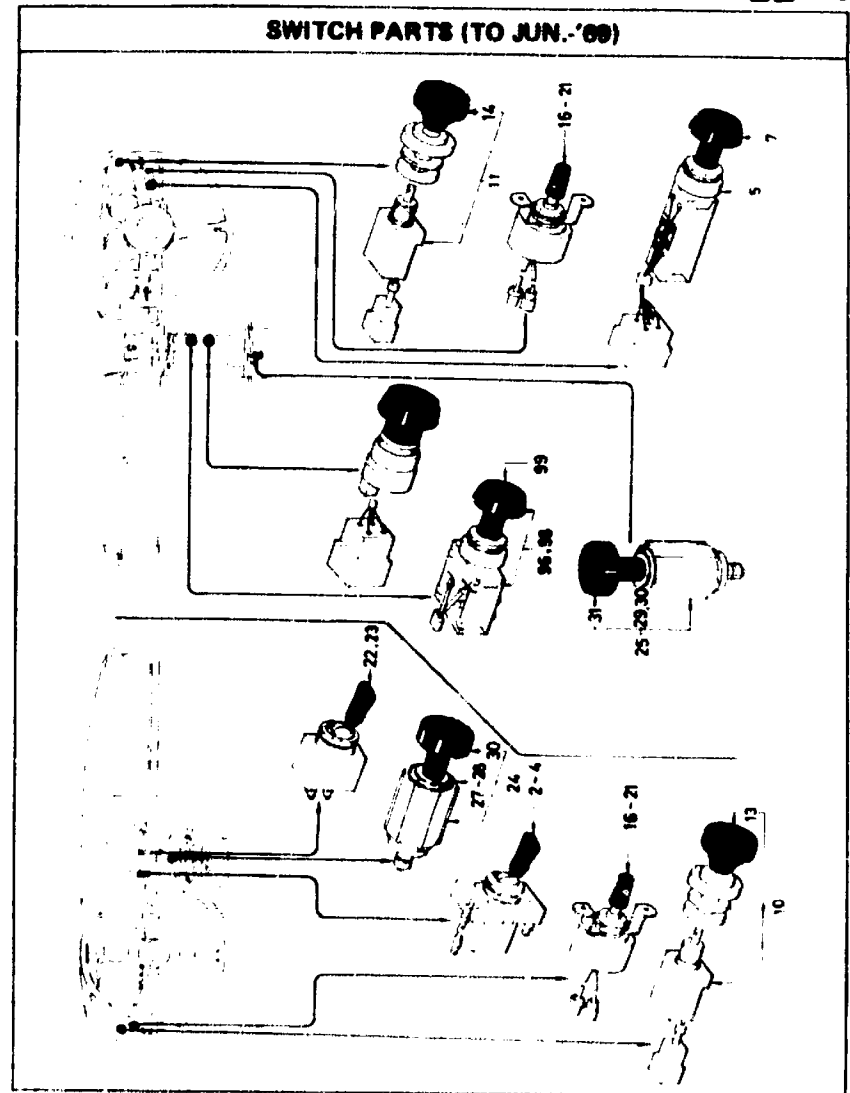
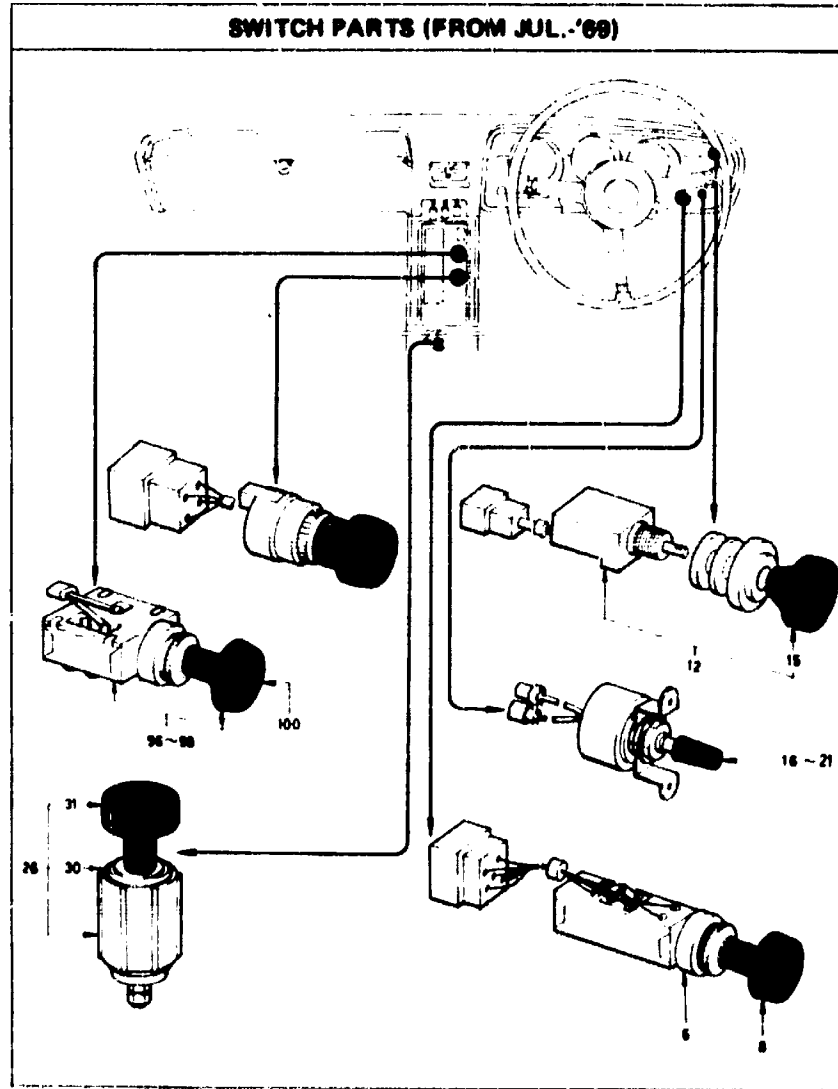


FIG. 22A-3 L15 NISSAN MOTOR CO., LTD.



DECEMBER, 1971

F22A-3

Printed in Japan

NISSAN MOTOR CO., LTD.

FIG. 22A

S	KEY NO.	PART NO.	PART NAME	QTY	SALES UNIT	MODEL	ICA
<b>ELECTRIC UNIT &amp; SWITCH PARTS</b>							
	1	25150-10600	COMP-SWITCH,IGNITION WITH KEY(10 E/S R-4000 1)	1	1 1.6L		
	2	25160-61500	COMP-SWITCH,LIGHTING (10 E/S R-40000)	1	1 1.6L		
	3	25160-25500	SWITCH-LIGHTING(FROM E /S R-40001 TO SEP-67)	1	1 ALL		N
	4	25160-25900	COMP-SWITCH,LIGHTING (FROM OCT-67 TO SEP-69)	1	1 ALL		N
	5	25160-A3200	COMP-SWITCH,LIGHTING (FROM OCT-68)	1	1 ALL		N
	6	25160-A7400	COMP-SWITCH,LIGHTING (FROM JULY-69)	1	1 ALL		Y
	7	25165-25900	KNOW-LIGHTING SW (FROM OCT-67)	1	5 ALL		
	8	25165-A7400	KNOW-LIGHTING SW (FROM JULY-69)	1	5 ALL		Y
	9	25160-61500	COMP-SWITCH,WIPER AUTO (10 E/S R-40000)	1	1 1.6L		
	10	25260-25500	SWITCH-WIPER & WASHER (FROM E/S R-40001 TO SE P-67)	1	2 ALL		N
	11	25260-25900	COMP-SWITCH,WIPER & WA SHER (FROM OCT-67)	1	1 ALL		N
	12	25260-A7400	COMP-SWITCH,WIPER & WA SHER (FROM JULY-69)	1	1 ALL		Y
	13	25265-11200	KNOW-WIPER & WASHER SW (10 SEP-67)	1	5 ALL		
	14	25265-25900	KNOW-WIPER & WASHER (FROM OCT-67)	1	5 ALL		N

REVISED DECEMBER, 1971

27-A-1

Printed in Japan

FIG. 22A L16 NISSAN MOTOR CO., LTD.

KEY NO.	PART NO.	PART NAME	QTY.	SALES UNIT	MODEL	ICA
1	25265-47400	Knob-JIPEN & WASHER (FROM JULY-69)	1	5 ALL		Y
• 14	25320-02700	COMP.-SWITCH, STOP LAMP FOR TANDM BRAKE CYLINDER	1	10 1.6L		
• 17	25320-06900	COMP.-SWITCH, STOP LAMP FOR TANDM BRAKE CYLINDER	1	10 1.6L		Y
• 18	25320-73000	COMP.-SWITCH, STOP LAMP FOR TANDM BRAKE CYLINDER (FROM F/R N-40001)	1	ALL		N
19	25320-89910	COMP.-SWITCH, STOP LAMP FOR TANDM BRAK CYLINDER	1	1 ALL		Y
• 20	25320-73001	COMP.-SWITCH, STOP LAMP FOR TANDM BRAK CYLINDER	1	1 ALL		Y
21	25320-44900	COMP.-SWITCH, STOP LAMP FOR TAND	1	1 ALL		Y
22	25370-61500	COMP.-SWITCH, FOG LAMP	1	1 OP, 1.6L		
24	25370-25900	COMP.-SWITCH, FOG LAMP (FROM E/R N-40001)	1	1 OP, ALL		N
24	25330-10400	LIGHTER-CIGARETTE (TO SEP-67)	1	1 ALL		
• 25	25330-25900	LIGHTER-CIGARETTE (FROM OCT-67)	1	1 ALL		N
26	25330-47400	LIGHTER-CIGARETTE (FROM JULY-69)	1	1 ALL		Y
• 27	25330-10601	ELEMENT WITH KNOB (TO SEP-67)	1	1 ALL		
28	25330-19602	ELEMENT WITH KNOB (TO SEP-67)	1	1 ALL		N
• 29	25330-24901	ELEMENT WITH KNOB (FROM OCT-67)	1	1 ALL		
30	25330-47401	ELEMENT WITH KNOB (FROM JULY-69)	1	1 ALL		Y

NISSAN MOTOR CO., LTD.

FIG. 22A

KEY NO.	PART NO.	PART NAME	QTY.	SALES UNIT	MODEL	ICA
• 31	25335-10600	ASSY-KNOB, CIGARETTE LIGHTER	1	5 ALL		
32	25338-10600	LIGHTER-CIGARETTE	1	1 ALL		Y
• 33	25335-47400	ASSY-KNOB, CIGARETTE LIGHTER (FROM JUL-69) NOT FOR SALE	1	5 ALL		Y
34	25410-14600	ASSY-BLOCK, FUSE (TO SEP-67)	1	1 ALL		
35	25410-22000	ASSY-BLOCK, FUSE (FROM OCT-67 TO SEP-68)	1	1 ALL		N
• 36	25410-43200	ASSY-BLOCK, FUSE (FROM OCT-68)	1	1 ALL		N
37	25410-43250	ASSY-BLOCK, FUSE (FROM OCT-68)	1	1 R DRIVE		Y
38	25410-43251	ASSY-BLOCK, FUSE (FROM OCT-68)	1	1 L DRIVE		N
39	25415-22000	COVER-FUSE BLOCK (FROM OCT-67)	1	1 ALL		
• 40	25463-50900	FUSE-30A	1	100 ALL		
41	25463-30900	FUSE-30A	1	100 ALL		Y
• 42	25462-50900	FUSE-20A	2	100 ALL		
• 43	25462-80901	FUSE-20A	2	10 ALL		Y
44	00941-12800	FUSE-20A	2	ALL		Y
• 45	25462-30900	FUSE-8A	1	1 ALL		
• 46	25470-80900	FUSE-8A	1	50 ALL		Y
47	00941-10800	FUSE-8A	1	ALL		Y
48	00314-02210	SCREW TO FIX FUSE BLOCK (TO SEP-68)	2	50 ALL		
49	00314-02510	SCREW TO FIX FUSE BLOCK (FROM OCT-68)	2	50 ALL		N
51	00915-11010	WASHER-LOCK TO FIX FUSE BLOCK (TO SEP-67)	2	50 ALL		



FIG. 22A M1 NISSAN MOTOR CO., LTD.

S	KEY NO.	PART NO.	PART NAME	QTY	SALES UNIT	MODEL	ICA
	51	00915-41010	WASHER-PLAIN TO FIX FU SE W/LOCK	2	50	ALL	
•	52	25540-12900	SWITCH-TURN & DIM (TO SEP-66)	1	1	SP SR	
	53	85540-12900	SWITCH-TURN & DIM (FROM OCT-66 TO SEP-67)	1	1	SP, SR	C
•	54	25540-13000	SWITCH-TURN & DIM (TO SEP-66)	1	1	SPL SRL	
	55	85540-13000	SWITCH-TURN & DIM (FROM OCT-66 TO SEP-67)	1	1	SPL, SRL	Y
	56	25540-25900	SWITCH-TURN & DIM (FROM OCT-67)	1	1	ALL EXC EUROPE	N
	57	25540-25901	SWITCH-TURN DIMMER & PASSING SIGNAL (FROM OCT-67)	1	1	EUROPE	
	58	25540-25900	SWITCH-TURN & DIMMER (FROM OCT-68)	1	1	ALL EXC USA	
	59	25540-43200	SWITCH-TURN & DIMMER (FROM OCT-68)	1	1	USA	
•	60	25230-10600	COMP., RELAY, LOWER BEAM	1	1	ALL	
	61	25230-28000	COMP., RELAY, LOWER BEAM	1	1	ALL	Y
	62	25230-89905	COMP., RELAY, LOWER BEAM (FROM OCT-68)	1	1	ALL	N
	63	00511-21010	SCREW TO FIX RELAY	2	50	ALL	
	64	25520-33500	ASSY-FLASHER UNIT(12V)	1	5	ALL (EXC. AUSTRALIA)	
	65	25520-09901	ASSY-FLASHER UNIT(12V), AUDIABLE	1	5	SP SR (AUSTRALIA)	
	66	25520-89911	ASSY FLASHER UNIT 4WAY (FROM OCT-68)	1	5	ALL EXC USA & CANADA	
	67	25520-89904	ASSY FLASHER UNIT (FROM OCT-68)	1	5	USA & CANADA	

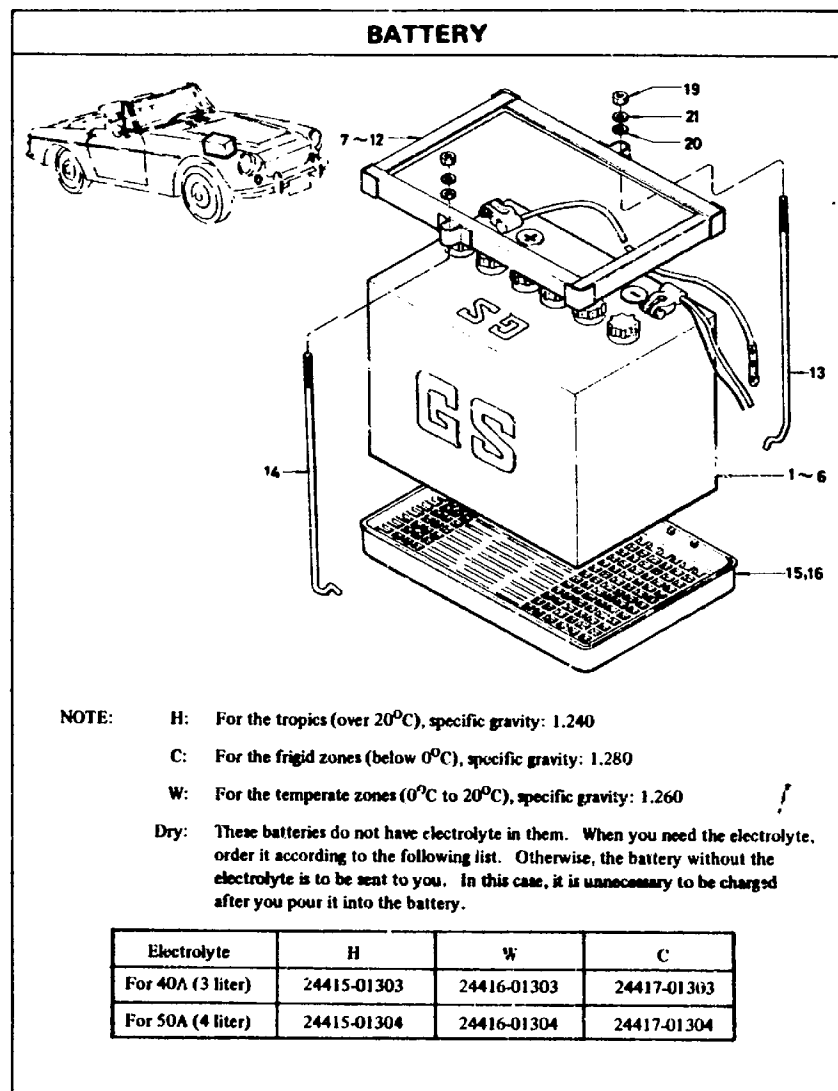
NISSAN MOTOR CO., LTD.

FIG. 22A

S	KEY NO.	PART NO.	PART NAME	QTY	SALES UNIT	MODEL	ICA
•	68	25320-89910	ASSY FLASHER UNIT 4WAY (FROM OCT-68)	1	1	USA & CANADA	
	69	00314-01010	SCREW TO FIX FLASHER UNIT	1	50	ALL	
	70	00915-11010	WASHER-LOCK TO FIX FLASHER UNIT	1	50	ALL	
•	71	26310-16300	ASSY-HORN, HIGH	1	1	1.6L	
	72	26310-14600	ASSY-HORN, HIGH (FROM FEB # R-40001)	1	1	ALL	Y
•	73	26330-16300	ASSY-HORN, LOW	1	1	1.6L	
•	74	26330-14600	ASSY-HORN, LOW	1	1	1.6L	Y
	75	26330-14601	ASSY-HORN, LOW (FROM FEB # R-40001)	1	1	ALL	Y
	76	00114-52210	BULB TO FIX HORN	4	50	ALL	
	77	00915-11510	WASHER-LOCK TO FIX HORN	4	50	ALL	
	78	26320-14800	ASSY-FLAY, HORN	1	1	ALL	
	79	25230-89903	ASSY-RELAY, HORN	1	1	ALL	N
	80	00511-21010	SCREW (TO FIX RELAY)	2	50	S.U.L.	
	81	25595-14613	KIT-FLASHER, 4-WAY	1	1	OP, SP, SR	
	82	25595-14611	KIT-FLASHER 4 WAY	1	1	OP SP SR	
	83	25910-25600	SWITCH-HAZARD WARNING (TO SEP-67)	1	50	OP, ALL	
•	84	25910-25900	SWITCH-HAZARD WARNING (FROM OCT-67 TO SEP-68)	1	1	OP ALL	N
•	85	25910-25900	SWITCH-HAZARD WARNING (FROM OCT-68)	1	1	OP, ALL EXC U.S.A. & CANADA	Y
	86	25910-47500	SWITCH-HAZARD WARNING (FROM JULY-69)	1	1	OP, ALL EXC U.S.A. & CANADA	Y

FIG. 22A M2 NISSAN MOTOR CO., LTD.

S KEY NO.	PART NO.	PART NAME	QTY	SALES UNIT	MODEL	ICA
87	2596-A3300	SWITCH=HAZARD WARNING (FROM OCT-68)	1	1	U.S.A. & CANADA	N
88	2596-A7800	SWITCH=HAZARD WARNING (FROM JULY-69)	1	1	U.S.A. & CANADA	Y
89	25165-25500	KNOB=HAZARD WARNING SW (TO SEP-67)	1	5	OP, ALL	
90	25915-25900	KNOB=HAZARD WARNING SW (FROM OCT-67)	1	5	OP, ALL	N
91	25915-A7400	KNOB=HAZARD WARNING SW (FROM JULY-69)	1	5	OP, ALL	Y
92	25520-89900	ASSY-UNIT, FLASHER	1	1	OP, SP, SR (E XC, AUSTRAL IA) SPL, SRL	
93	25520-39900	ASSY-UNIT, FLASHER	1	5	OP, SP, SR (EXC AUSTR ALIA) SPL, SRL	Y
94	25520-74100	ASSY-UNIT, FLASHER, AURI BLE	1	1	OP, AUSTRAL IA ONLY	
95	25597-14611	HARNFESS=HAZZARD	1	1	OP SP SR	
96	25810-25900	SWITCH=BRAKE WARNING (FROM OCT-67)	1	1	ALL	
97	25810-A3200	SWITCH=BRAKE WARNING (FROM OCT-68) (NOT ADD PTFD)	1		ALL	N
98	25810-25900	SWITCH=BRAKE WARNING	1	1	ALL	Y
99	25815-25900	KNOB=BRAKE WARNING SW (FROM OCT-67)	1	5	ALL	
100	25814-A7800	WARNING BUZZER (FROM JULY-69)	1	1	USA & CANA DA	
101	25814-A7801	WARNING BUZZER	1	1	USA & CANA DA	N
102	25360-89900	SWITCH=STOP (FROM JULY -69)	1	5	USA & CANA DA	



KEY NO.	PART NO.	PART NAME	QTY	SALES UNIT	MODEL	ICA
<b>BATTERY</b>						
1	24410-09401	BATTERY (12V-40AH/1H, DRY)	1	1	ALL	
2	24410-09403	BATTERY (12V-40AH/1C, DRY)	1	1	ALL	
3	24410-09405	BATTERY (12V-40AH/1H, DRY) (NOT FOR SALE)	1	1	ALL	
4	24410-03021	BATTERY (12V-50AH/1H, DRY)	1	1	OP, ALL	
5	24410-03023	BATTERY (12V-50AH/1C, DRY)	1	1	OP, ALL	
6	24410-03025	BATTERY (12V-50AH/1H, DRY)	1	1	OP, ALL	
7	24420-14700	FRAME-BATTERY FIX	1	1	SR	
8	24420-14900	FRAME-BATTERY FIX	1	1	SR	Y
9	24450-11200	FRAME-BATTERY FIX	1		SP	
10	24431-14001	FRAME-BATTERY FIX	1	1	SP	Y
11	24420-14701	FRAME-BATTERY FIX	1	1	L DRIVE	
12	24420-17000	FRAME-BATTERY FIX	1	1	L DRIVE	Y
13	24422-07300	ROD-BATTERY SUPPORT	1	5	ALL	
14	24422-35001	ROD-BATTERY SUPPORT (LONG)	1	5	ALL	
15	24420-03020	TRAY-BATTERY	1		L DRIVE, SR	
16	24420-09400	TRAY-BATTERY	1		SP	
17	24420-17500	TRAY-BATTERY	1	1	SR	
18	24420-17000	TRAY-BATTERY	1	1	L DRIVE, SP	
19	00011-14410	NUT-MEX	2	50	ALL	

FIG. 22<sup>B</sup> M4 NISSAN MOTOR CO., LTD.

S	KEY NO.	PART NO.	PART NAME	QTY	SALES UNIT	MODEL	ICA
	20	00915-11410	WASHER-PLAIN	2	50	ALL	
	21	00915-11410	WASHER-LOCK	2	90	ALL	

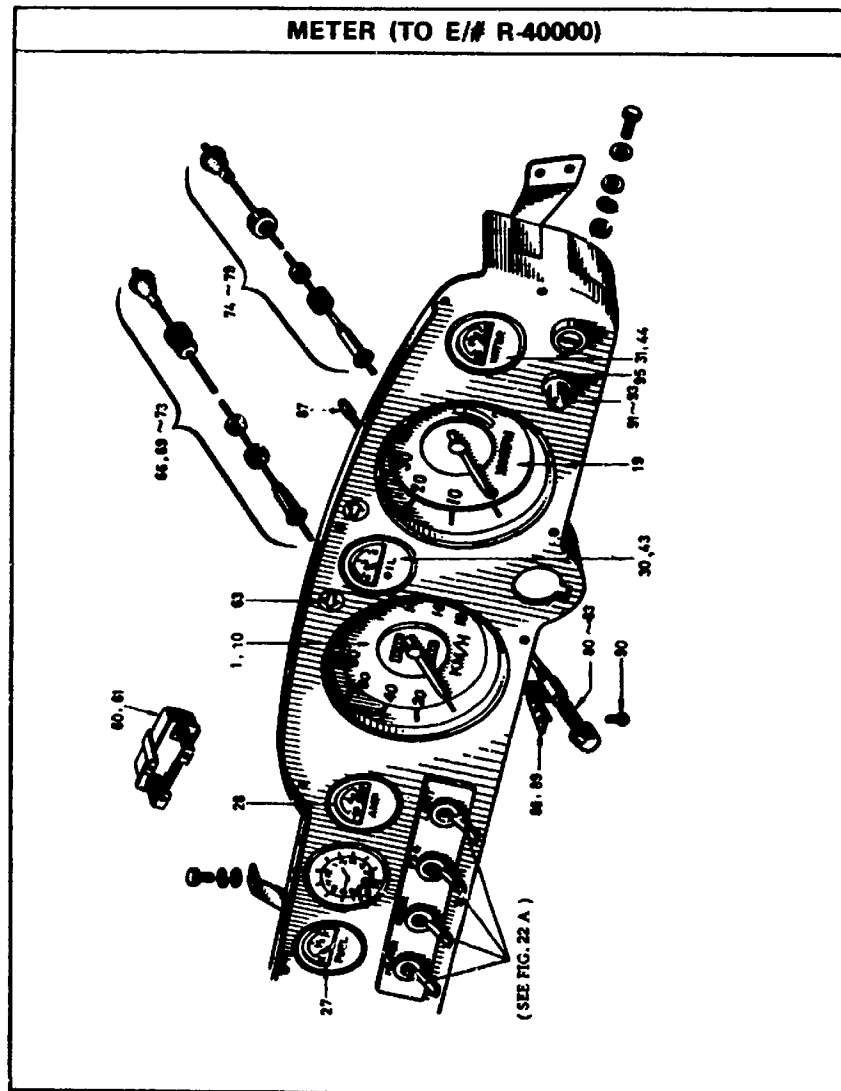
REVISED: MARCH, 1971

22-8- 2

Printed in Japan

FIG. 23-1 M5

NISSAN MOTOR CO., LTD.



NISSAN MOTOR CO., LTD.

FIG. 23-2

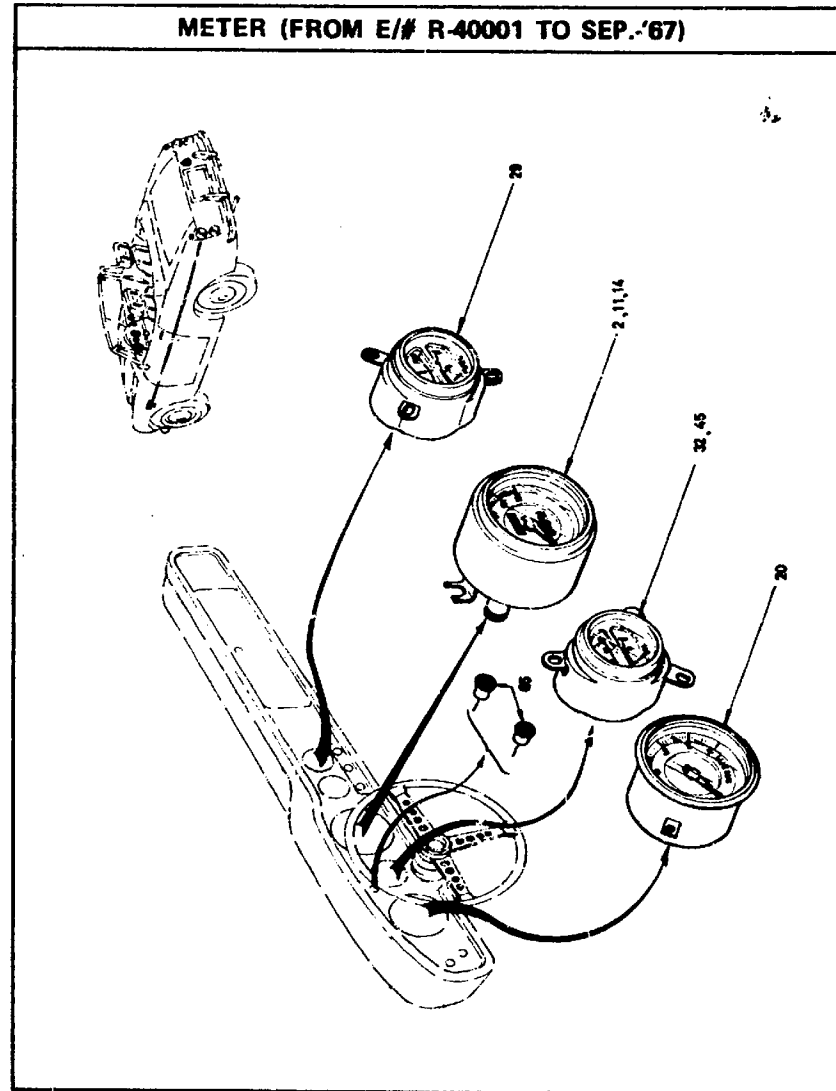
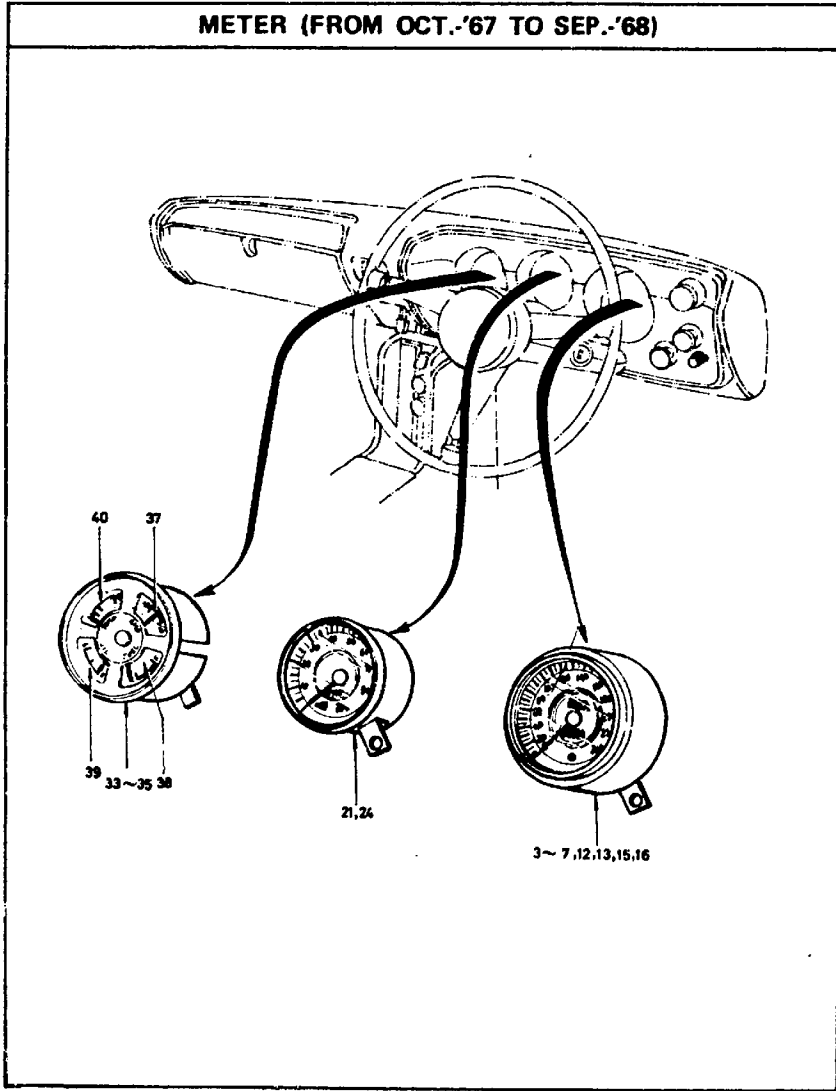


FIG. 23-3 M6 NISSAN MOTOR CO., LTD.



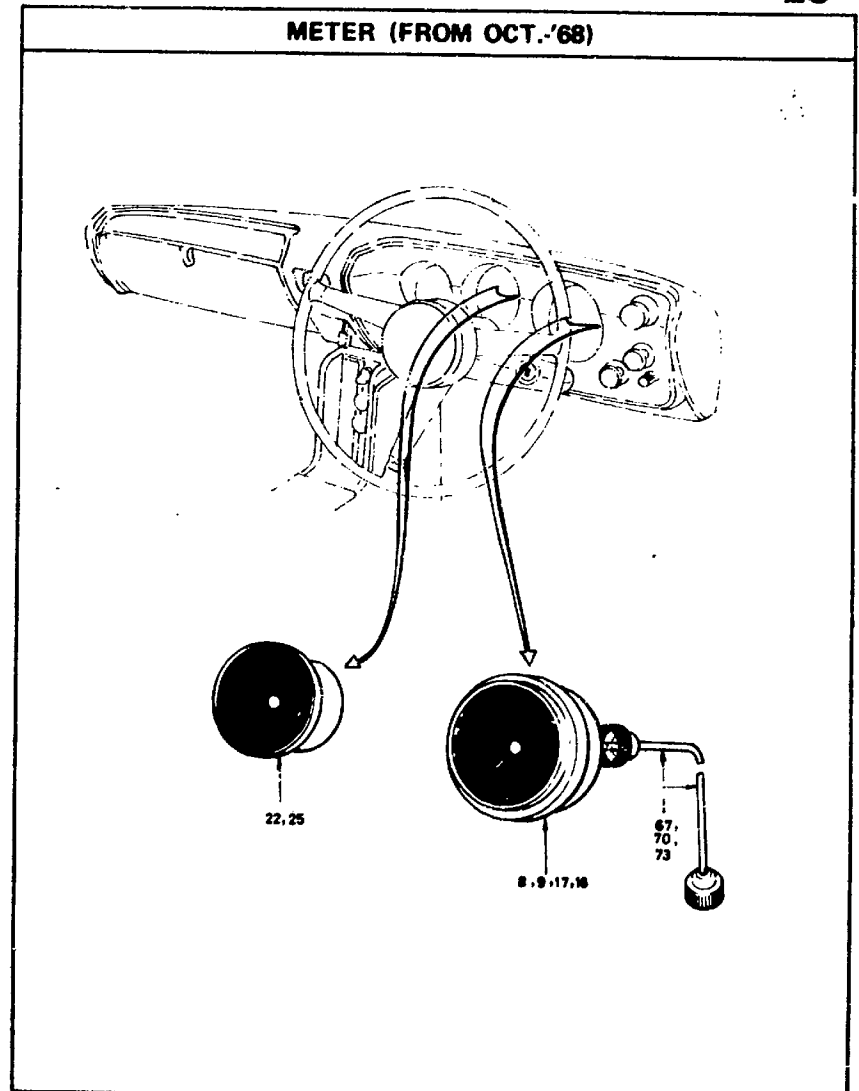
DECEMBER, 1970

F23 - 3

Printed in Japan

NISSAN MOTOR CO., LTD.

FIG. 23-4

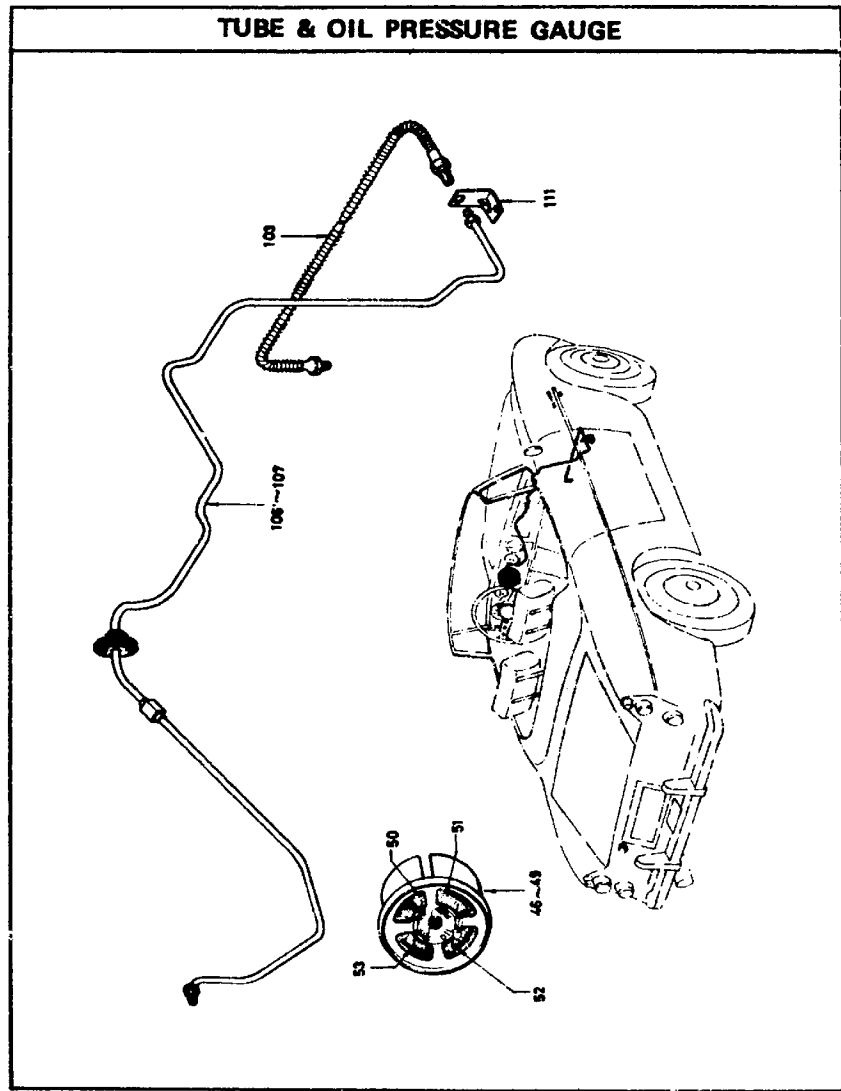


DECEMBER, 1970

F23 - 4

Printed in Japan

FIG. 23-5 M7 NISSAN MOTOR CO., LTD.



KEY NO.	PART NO.	PART NAME	QTY.	SALES UNIT	MODEL	ICA
<b>METER, TUBE &amp; OIL PRESSURE GAUGE</b>						
1	25050-12900	ASSY-SPEEDOMETER (KM) (TO E/R R-40000)	1	1	1.6L (KH AP EA)	
2	25050-14611	ASSY-SPEEDOMETER (KM) (FR M E/R R-40001 TO SEP- 67)	1	1	1.6L (KH AP EA)	
3	25050-14612	ASSY-SPEEDOMETER (100K M) (FROM OCT-67 TO SEP- 68)	1	1	SP	
4	25050-14712	ASSY-SPEEDOMETER (100K M) (FROM OCT-67 TO SEP- 68)	1	1	SPL	N
5	25050-25501	ASSY-SPEEDOMETER (240KM H) (FROM OCT-67 TO SEP- 68)	1	1	2L (KH AP EA)	
6	25050-25900	ASSY-SPEEDOMETER (240 KM) (FROM OCT-67 TO SEP- 68)	1	1	SP	N
7	25050-26000	ASSY-SPEEDOMETER (240KM ) (FROM OCT-67)	1	1	SPL	N
8	25050-A3202	ASSY-SPEEDOMETER (240K M) (FROM OCT-68)	1	1	SP, SR	Y
9	25050-A3303	ASSY-SPEEDOMETER (240 M) (FROM OCT-68)	1	1	SPL, SPL SPLD, SPLD	Y
10	25050-13000	ASSY-SPEEDOMETER (MILE) (TO E/R R-40000)	1	1	1.6L (MILE AREA)	
11	25050-14711	ASSY-SPEEDOMETER (MILE) (FROM E/R R-40001 TO SE P-67)	1	1	1.6L (MILE AREA)	
12	25050-14613	ASSY-SPEEDOMETER (12.0M L) (FROM OCT-67)	1	1	SP	
13	25050-14713	ASSY-SPEEDOMETER (12.0M L) (FROM OCT-67)	1	1	SPL, SPLD	

FIG. 23 M8 NISSAN MOTOR CO., LTD.

S	KEY NO.	PART NO.	PART NAME	QTY	SALES UNIT	MODEL	ICA
	14	25050-25601	ASSY-SPEEDOMETER(MILE) (TO SEP-67)	1	1	2L(MILE AREA)	
•	15	25050-25901	ASSY-SPEEDOMETER(160MILE) (FROM OCT-67)	1	1	SR	N
•	16	25050-26001	ASSY-SPEEDOMETER(160MILE) (FROM OCT-67)	1	1	SRL SRLU	N
	17	25050-A3203	ASSY-SPEEDOMETER (140 MILE) (FROM OCT-68)	1	1	SP,SR	Y
	18	25050-A3302	ASSY-SPEEDOMETER (140 MILE) (FROM OCT-68)	1	1	SPL,SPL SPLU,SRLU	Y
	19	25052-14600	ASSY-TACHOMETER (TO E/P # R-40000)	1	1	1.6L	
	20	25052-14611	ASSY-TACHOMETER (FROM E/P R-40001 TO SEP-67)	1	1	1.6L	"
	21	25052-14612	ASSY-TACHOMETER (FROM OCT-67 TO SEP-68)	1	1	1.6L	"
	22	25052-A3203	ASSY-TACHOMETER (FROM OCT-68)	1	1	1.6L	Y
	23	25052-25901	ASSY-TACHOMETER (TO SLP-67)	1	1	2L	
•	24	25052-25900	ASSY-TACHOMETER (FROM OCT-67 TO SEP-68)	1	1	2L	"
	25	25052-A3202	ASSY-TACHOMETER (FROM OCT-68)	1	1	2L	Y
	26	25040-12900	BRACKET-METER MOUNTING	1	1	ALL	
	27	24860-14600	GAUGE-FUEL,DASH (TO E/P # R-40000)	1	1	1.6L	
	28	25065-12900	ASSY-AMMETER(TO E/P R-40000)	1	1	1.6L	
	29	25065-25900	GAUGE-COMBI,FUEL & AMM ETER(FROM E/P R-40001 TO SLP-67)	1	1	ALL	"
	30	25070-12900	GAUGE-OIL PRESSURE DASH(TO E/P R-40000)	1	1	1.6L(KM AREA)	

NISSAN MOTOR CO., LTD.

FIG. 23

S	KEY NO.	PART NO.	PART NAME	QTY	SALES UNIT	MODEL	ICA
	31	24880-14601	GAUGE-WATER TEMP (TO E/P # R-40000) DASH	1	1	1.6L(KM AREA)	
	32	25070-25900	GAUGE-COMBI,OIL & WATER (FROM E/P R-40001 TO SEP-67)	1	1	ALL(KM AREA)	N
•	33	25070-25900	COMBINED GAUGES (FROM OCT-67 TO SEP-68)	1	1	R DRIVE (KM AREA)	N
	34	25070-A3202	COMBINED GAUGES (FROM OCT-68)	1	1	R DRIVE (KM AREA)	Y
•	35	25070-26000	COMBINED GAUGES (FROM OCT-67 TO SEP-68)	1	1	L DRIVE (KM AREA)	L
	36	25070-A3303	COMBINED GAUGES (FROM OCT-68)	1	1	L DRIVE (KM AREA)	Y
	37	24845-25900	ASSY-AMMETER(FROM OCT- 67)	1	1	ALL (KM AREA)	
	38	24860-25900	GAUGE-FUEL,DASH(FROM OCT-67)	1	1	ALL (KM AREA)	
	39	24870-25900	GAUGE-OIL PRESSURE DASH(FROM OCT-67)	1	1	ALL (KM AREA)	
	40	24880-25900	GAUGE-WATER TEMP,DASH (FROM OCT-67)	1	1	ALL (KM AREA)	
	41	25070-A3202	COMBINED GAUGES(FROM OCT-68)	1	1	R DRIVE (KM AREA)	Y
	42	25070-A3303	COMBINED GAUGES(FROM OCT-68)	1	1	L DRIVE (KM AREA)	Y
	43	25070-13000	GAUGE-OIL PRESSURE DASH (TO E/P R-40000)	1	1	1.6L(MILE AREA)	
	44	24880-14701	GAUGE-WATER TEMP DASH (TO E/P R-40000)	1	1	1.6L(MILE AREA)	
	45	25070-25600	GAUGE-COMBI,OIL & WATER (FROM E/P R-40001 TO SLP-67)	1	1	ALL(MILE AREA)	"
•	46	25070-14612	COMBINED GAUGES (FROM OCT-67 TO SEP-68)	1	1	R DRIVE (MILE AREA)	"



FIG. 23 M9 NISSAN MOTOR CO., LTD.

S KEY NO.	PART NO.	PART NAME	QTY	SMILES UNIT	MODEL	ICA
47	25070-A3203	COMBINED GAUGES(FROM OCT-66)	1	1 R DRIVE (MILE AREA)		Y
48	25070-14712	COMBINED GAUGE (FROM OCT-67 TO SEP-66)	1	1 L DRIVE (MILE AREA)		N
49	25070-A3302	COMBINED GAUGES (FROM OCT-66)	1	1 L DRIVE (MILE AREA)		Y
50	24845-25000	ASSY-AMMETER(FROM OCT-67)	1	1 ALL (MILE AREA)		
51	24860-25000	GAUGE-FUEL DASH(FROM OCT-67)	1	1 ALL (MILE AREA)		
52	24870-26000	GAUGE-OIL PRESSURE DASH(FROM OCT-67)	1	1 ALL (MILE AREA)		
53	24880-26000	GAUGE-WATER TEMP DASH (FROM OCT-67)	1	1 ALL (MILE AREA)		
54	25070-A3203	COMBINED GAUGES(FROM OCT-66)	1	1 R DRIVE (MILE AREA)		Y
55	25070-A3302	COMBINED GAUGES(FROM OCT-66)	1	1 L DRIVE (MILE AREA)		Y
56	25070-32200	ASSY-GAUGE,OIL PRESSURE,ENGINE SIDE	1	1 ALL		
57	25080-62200	C.M.P.-TRANSMITTER,THERMAL,ENGINE SIDE	1	5 ALL		
58	25251-30100	NET-GRAND,THERMAL	1	10 1.6L		
59	25251-37700	NET-GRAND,THERMAL(FROM 1/4 R-40001)	1	10 ALL		N
60	25020-14600	REGULATOR-VOLT,FUEL & WATER GAUGE (TO SEP-67)	1	1 ALL		

21 - 4

Printed in Japan

REVISED: MAR, 1971

NISSAN MOTOR CO., LTD.

FIG. 23

S KEY NO.	PART NO.	PART NAME	QTY	SMILES UNIT	MODEL	ICA
61	25020-25000	REGULATOR-VOLT,FUEL & WATER GAUGE (FROM OCT-67)	1	1 ALL		
62	25041-12900	BRACKET-GAUGE MOUNTING (TO 1/4 R-40000)	2	1 1.6L		
63	24460-12900	ASSY-LAMP,TURN WARNING	2	1 1.6L		
64	24460-25500	ASSY-LAMP,TURN WARNING (FROM 1/4 R-40001 TO SEP-67)	2	5 ALL		
65	24463-12900	LAMP-TURN WARNING(TO SEP-67)	2	2 ALL		
66	25050-09916	ASSY-SHAFT,FLEXIBLE,SP. SPEEDMETER(1600R/M)(TO SEP-66)	1	1 SP		
67	25055-A3201	ASSY-SHAFT,FLEXIBLE,SP. SPEEDMETER(1600R/M)(FROM OCT-66)	1	1 SP		Y
68	85050-09916	CABLE-INNER	1	1 SP		
69	25050-09917	ASSY-SHAFT,FLEXIBLE,SP. SPEEDMETER(1700R/M)(TO SEP-66)	1	1 SR		
70	25055-A3200	ASSY-SHAFT,FLEXIBLE,SP. SPEEDMETER(1700R/M)(FROM OCT-66)	1	1 SR		Y
71	25050-09918	ASSY-SHAFT,FLEXIBLE,SP. SPEEDMETER(1800R/M)(TO SEP-66)	1	1 SPL		
72	25050-09919	ASSY-SHAFT,FLEXIBLE,SP. SPEEDMETER(1900R/M)(TO SEP-66)	1	1 SRL		
73	25055-A3300	ASSY-SHAFT,FLEXIBLE,SP. SPEEDMETER(1900R/M)(FROM OCT-66)	1	1 L DRIVE		Y
74	25050-30900	ASSY-SHAFT,TACHOMETER, R.P.M.M (TO SEP-67)	1	5 SP		
75	25057-25500	ASSY-SHAFT,TACHOMETER, R.P.M.M (TO SEP-67)	1	1 SR		

21 - 5

Printed in Japan

REVISED: MAR, 1971

FIG. 23 M10 NISSAN MOTOR CO., LTD.

S. KEY NO.	PART NO.	PART NAME	QTY	NAME UNIT	MODEL	ICA
76	25050-09900	ASSY-SHAFT,TACHOMETER PLOHM (TD SEP-68)	1		R DRIVE	Y
77	25050-13202	ASSY-SHAFT,TACHOMETER R-0MM (FROM OCT-67)	1		R DRIVE	Y
78	25050-09910	ASSY-SHAFT,TACHOMETER (L-000 1/4)(TD SEP-68)	1		L DRIVE	
79	25050-13301	ASSY-SHAFT,TACHOMETER (L-000 1/4)(FROM OCT-67)	1		L DRIVE	Y
80	25056-12900	ASSY-SHAFT,TRIP RESULT (IC E/P R-40000)	1		SP	
81	25056-25500	ASSY-SHAFT,TRIP RESULT (FROM 1/2R-40001 TO SEP-67)	1		R DRIVE	N
82	25056-25901	ASSY-SHAFT,TRIP RESULT (FROM OCT-67)	1		R DRIVE	Y
83	25056-12910	ASSY-SHAFT,TRIP RESULT (IC E/P R-40000)	1		SPL	
84	25056-25600	ASSY-SHAFT,TRIP RESULT (FROM 1/2R-40001 TO SEP-67)	1		SPL,SPL	N
85	25056-26001	ASSY-SHAFT,TRIP RESULT (L-270) (FROM OCT-67)	1		L DRIVE	N
86	25056-13300	ASSY-SHAFT,TRIP RESULT (L-450) (FROM OCT-67)	1		L DRIVE	Y
87	25056-25901	MODEL-R SET LABEL (FROM OCT-67)	1	10	ALL	
88	25056-12901	BRACKET-RESET CABLE	1	5	SP	
89	25056-12900	BRACKET-RESET CABLE	1	1	SPL	
90	00314-01010	SCREW	2	50	ALL	
91	25050-12900	RELAY-T-LAMP CONTROL (IC E/P R-40000)	1	1	L,6L	N
92	25050-25500	RELAY-T-LAMP CONTROL (FROM 1/2R-40001 TO SEP-67)	1	1	ALL	N

NISSAN MOTOR CO., LTD.

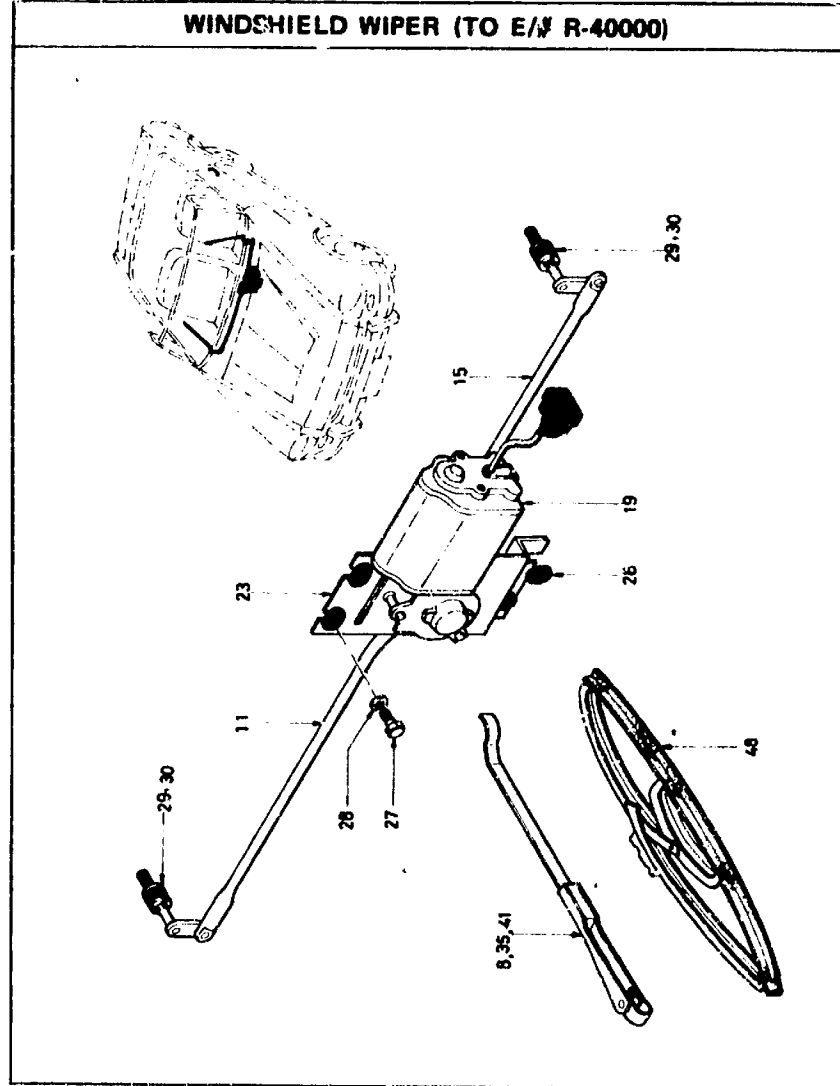
FIG. 23

S. KEY NO.	PART NO.	PART NAME	QTY	NAME UNIT	MODEL	ICA
93	25050-25900	RELAY-T-LAMP CONTROL (FROM OCT-67)	1	1	ALL	
94	25050-13200	RELAY-T-LAMP CONTROL (FROM OCT-67)	1	1	ALL	Y
95	25056-12900	RELAY-T-LAMP CONTROL	1	5	ALL	
96	25056-25901	MODEL-R SET CABLE	1	10	ALL	Y
97	25056-12900	RELAY-T-LAMP CONTROL	1	1	ALL	
98	25056-12900	SPACER-RELAY	1	1	ALL	
99	00314-01010	SCREW TO FIX REGULATOR	2	50	ALL	
100	00314-11010	WASHER-LOCK TO FIX REGULATOR	2	50	ALL	
101	25420-25900	ASSY-LAMP MAKE WARNING C (FROM OCT-67 TO SEP-67)	1	1	ALL	
102	25420-13200	ASSY-LAMP MAKE WARNING C (FROM OCT-67)	1	1	ALL	Y
103	25075-25900	TIPE-OIL PRESSURE GAUGE (FROM OCT-67)	1	5	ALL	
104	25075-25901	TIPE-OIL PRESSURE GAUGE (NOT ADOPTED)	1	1	SP SH	
105	25075-25900	TIPE-OIL PRESSURE GAUGE	1		SP SH	Y
106	25075-25902	TIPE-OIL PRESSURE GAUGE	1		SP SH	Y
107	25075-26001	TIPE-OIL PRESSURE GAUGE (FROM OCT-67)	1	1	L DRIVE	
108	46201-61000	SPRING-LOCK,MOSEL (FROM OCT-67)	1	1	ALL	
109	46201-69000	SPRING-LOCK,MOSEL (FROM OCT-67)	1	2	ALL	Y
110	46205-61000	PLATE-LOCK,MOSEL (FROM OCT-67)	1	10	ALL	

**FIG. 23 M11 NISSAN MOTOR CO., LTD.**

S KEY NO.	PART NO.	PART NAME	QTY	UNIT	MODEL	ICA
111	25077-25900	BRACKET-OIL PRESSURE W/SL (FROM OCT-67)	1	1	ALL	

FIG. 24-1 M12 NISSAN MOTOR CO., LTD.



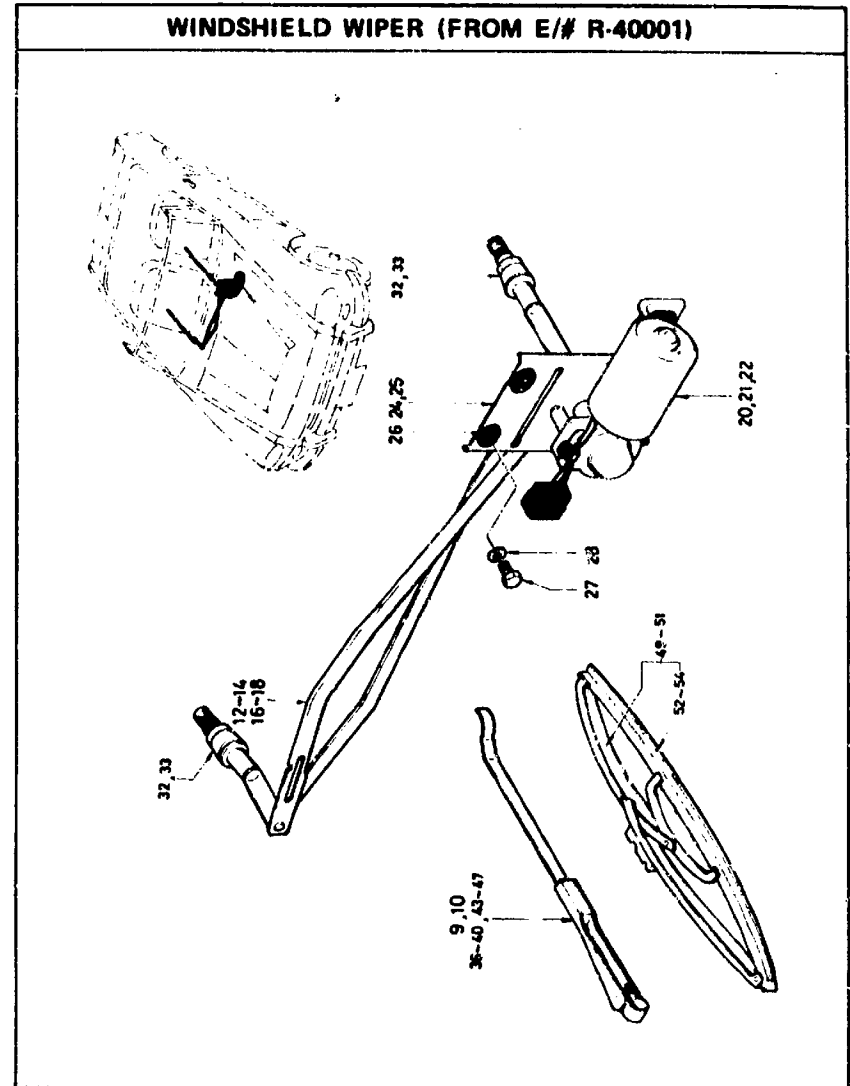
DECEMBER, 1970

F24 - 1

Printed in Japan

NISSAN MOTOR CO., LTD.

FIG. 24-2



DECEMBER, 1970

F26 - 2

Printed in Japan

FIG. 24 M13 NISSAN MOTOR CO., LTD.

S	KEY NO.	PART NO.	PART NAME	QTY	SALES UNIT	MODEL	ICA
			<b>WINDSHIELD WIPER</b>				
1	26341-14600		ASSY-DRIVE, WINDSHIELD WIPER (TO E/S R-40000)	1	1, 6L		
2	26341-25500		ASSY-DRIVE, W/S (FROM E/S R-40001 TO SEP-67)	1	1 ALL	N	
3	26800-25902		ASSY-WIPER WINDSHIELD (FROM OCT-67 TO SEP-68)	1	1 SP SR	N	
4	26800-A3200		ASSY-WIPER WINDSHIELD (FROM OCT-68)	1	1 SP SR	Y	
5	26800-26002		ASSY-WIPER WINDSHIELD (FROM OCT-67 TO SEP-68)	1	1 SPL, SPLU, SRL, SRLU		
6	26800-A3300		ASSY-WIPER WINDSHIELD (FROM OCT-68)	1	1 SPL, SPLU, SRL, SRLU	Y	
7	26392-14600		ASSY-LINKAGE & BRACKET	1	10 1, 6L		
8	26344-14600		ASSY-ARM, LEAD (TO E/S R-40000)	1	1 ALL		
9	26850-25500		ASSY-ARM, LEAD (FROM E/S R-40001 TO SEP-67)	1	1 ALL	N	
10	26850-25900		ASSY-ARM, LEAD (FROM OCT-67) (NOT FOR SALE)	1	1 ALL	N	
11	26347-14600		ASSY-ROD, CONNECTING RH (TO E/S R-40000)	1	1 ALL		
12	26860-25500		ROD-CONNECTING NO. 1 (FROM E/S R-40001 TO SEP-67)	1	1 ALL	N	
13	26860-25900		ROD-CONNECTING NO. 1 (FROM OCT-67)	1	1 SP SR	N	
14	26860-26000		ROD-CONNECTING NO. 1 (FROM OCT-67)	1	1 SPL SPLU SRL SRLU	N	

NISSAN MOTOR CO., LTD.

FIG. 24

S	KEY NO.	PART NO.	PART NAME	QTY	SALES UNIT	MODEL	ICA
15	26348-12900		ASSY-ROD, CONNECTING LH (TO E/S R-40000)	1	1 ALL		
16	26865-25500		ROD-CONNECTING NO. 2 (FROM E/S R-40001 TO SEP-67)	1	1 ALL	N	
17	26865-25901		ROD-CONNECTING NO. 2 (FROM OCT-67)	1	1 SP SR	N	
18	26865-26001		ROD-CONNECTING NO. 2 (FROM OCT-67)	1	1 SPL SPLU SRL SRLU	N	
19	26390-14600		ASSY-MOTOR, W/S WIPER (TO E/S R-40000)	1	1 ALL		
20	26810-25500		ASSY-MOTOR, W/S WIPER (FROM E/S R-40001 TO SEP-67)	1	1 ALL	N	
21	26810-25900		ASSY-MOTOR W/S WIPER (FROM OCT-67 TO SEP-68)	1	1 ALL	N	
22	26810-A3200		ASSY-MOTOR W/S WIPER (FROM OCT-68)	1	1 ALL	Y	
23	26391-12900		BRACKET-WIPER MOTOR (TO E/S R-40000)	1	1 ALL		
24	26835-25500		BRACKET-WIPER MOTOR (FROM E/S R-40001 TO SEP-67)	1	1 ALL	N	
25	26835-25901		BRACKET-WIPER MOTOR (FROM OCT-67)	1	1 ALL	N	
26	26393-12900		RUBBER-CUSHION	4	1 ALL		
27	00114-42910		BOLT	4	50 ALL		
28	00919-41410		WASHER-PLAIN	4	50 ALL		
29	26371-12900		ASSY-PIVOT, W/S WIPER (TO E/S R-40000)	2	1 ALL		
30	26371-14601		ASSY-PIVOT, W/S WIPER (TO E/S R-40000)	2	1 ALL	Y	

FIG. 24 M14 NISSAN MOTOR CO., LTD.

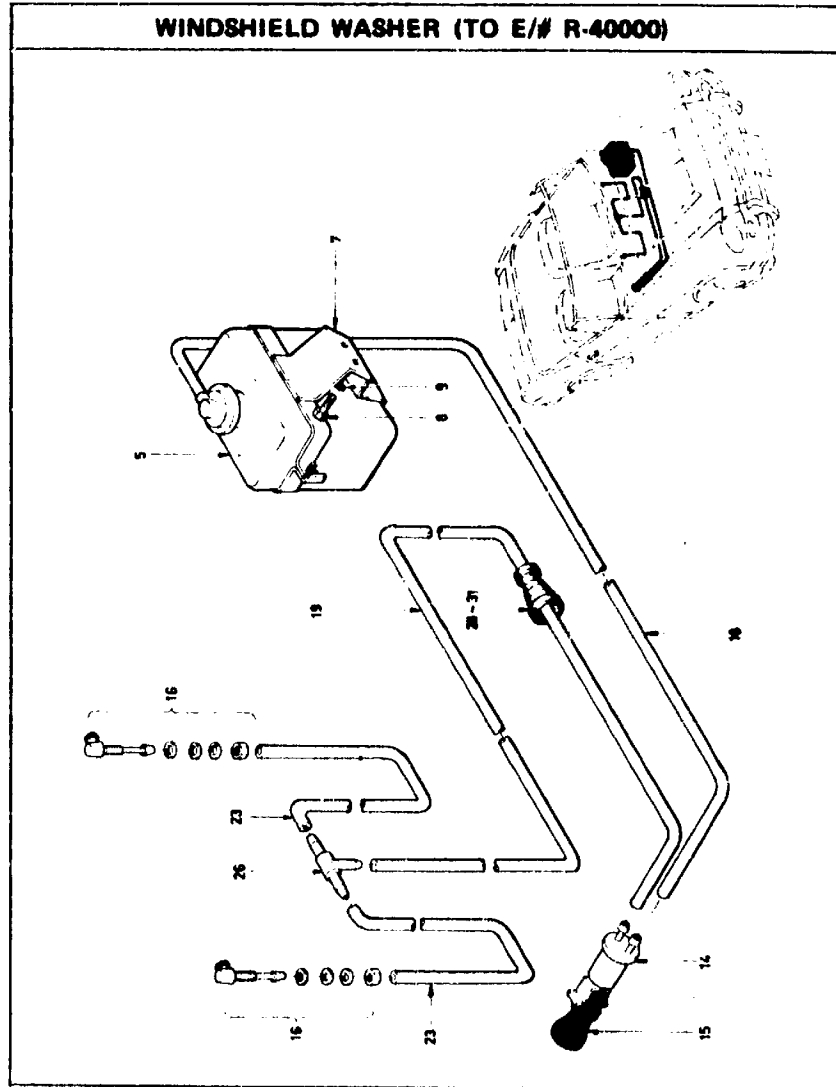
S	KEY NO.	PART NO.	PART NAME	QTY	SALES UNIT	MODEL	ICA
	31	26670-25900	ASSY-PIVOT, W/S WIPER (FROM E/SR-40001 TO SEP-67)	2	ALL	N	
	32	26670-25901	PIVOT NO.1 (FROM OCT-67)	1	ALL	N	
	33	26680-25901	PIVOT NO.2 (FROM OCT-67)	1	ALL	N	
	34	74340-12161	WASHER-SPECIAL (FROM OCT-67)	4	50	ALL	N
	35	26360-12900	ASSY-ARM W/BLADE RH. (TO E/S R-40000)	1	2 1.6L		
	36	26380-25911	ASSY-ARM, ANTI-DAZZLE RH (FROM E/SR-40001 TO SEP-67)	1	1 ALL	N	
	37	26380-25911	ASSY-ARM NO.1 (FROM OCT-67 TO SEP-68)	1	2 SP SR	N	
	38	26380-A3200	ASSY-ARM NO.1 (FROM OCT-68)	1	1 SP SR	C	
	39	26380-26011	ASSY-ARM NO.1 (FROM OCT-67 TO SEP-68)	1	1 SPL SPLU SRL SRLU	N	
	40	26380-A3300	ASSY-ARM NO.1 (FROM OCT-68)	1	1 SPL, SPLU, SRL, SRLU	C	
	41	26360-12900	ASSY-ARM W/BLADE LH (TO E/S R-40000) (NOT FOR SALE)	1	1 1.6L		
	42	26362-32202	ASSY-BLADE W/S WIPER	1	1.6L	C	
	43	26380-25911	ASSY-ARM, ANTI-DAZZLE LH FROM E/SR-40001 TO SEP-67	1	1 ALL	N	
	44	26380-25911	ASSY-ARM NO.1 (FROM OCT-67 TO SEP-68)	1	2 SP SR	N	
	45	26380-A3200	ASSY-ARM NO.1 (FROM OCT-68)	1	1 SP SR	C	
	46	26380-26011	ASSY-ARM NO.2 (FROM OCT-67 TO SEP-68)	1	1 SPL SPLU SRL SRLU	N	

NISSAN MOTOR CO., LTD.

FIG. 24

S	KEY NO.	PART NO.	PART NAME	QTY	SALES UNIT	MODEL	ICA
	47	26380-A3300	ASSY-ARM NO.2 (FROM OCT-68)	1	1 SPL, SPLU, SRL, SRLU	C	
	48	26362-32202	ASSY-BLADE W/S WIPER (TO E/S R-40000)	2	10 1.6L		
	49	26360-25910	ASSY-BLADE W/S WIPER (FROM E/S R-40001 TO SEP-67)	2	1 ALL	N	
	50	26360-25911	ASSY-BLADE (FROM OCT-67 TO SEP-68)	2	2 ALL	N	
	51	26370-A3200	ASSY-BLADE (FROM OCT-68)	2	1 ALL	C	
	52	26351-25910	RUBBER-BLADE (FROM E/S R-40001 TO SEP-67)	2	1 ALL		
	53	26351-25910	RUBBER-BLADE (FROM OCT-67)	2	1 ALL	N	
	54	26371-A3200	RUBBER-BLADE (FROM OCT-68)	2	5 ALL	N	

FIG. 24A-1 M15 NISSAN MOTOR CO., LTD.



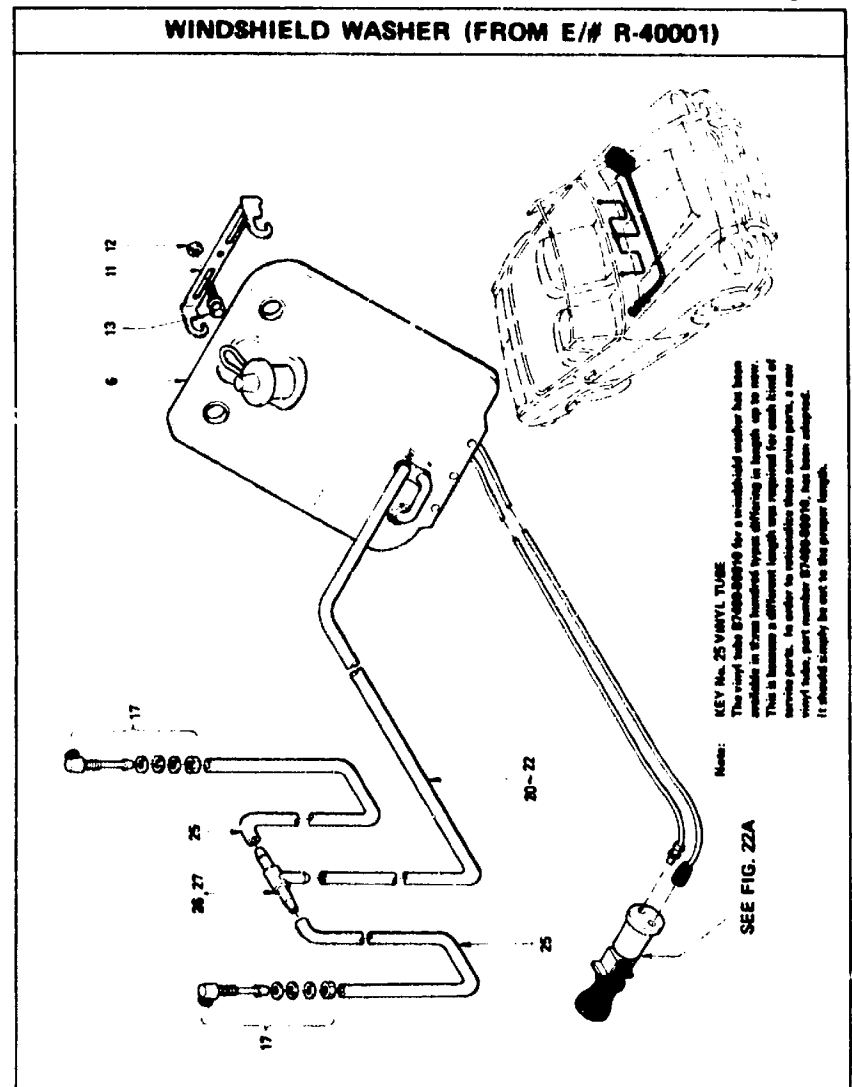
DECEMBER, 1971

F24A-1

Printed in Japan

NISSAN MOTOR CO., LTD.

FIG. 24A-2



DECEMBER, 1971

F24A-2

Printed in Japan

FIG. 24A M16 NISSAN MOTOR CO., LTD.

S	KEY NO.	PART NO.	PART NAME	QTY	SALES UNIT	MODEL	ICA
			<b>WINDSHIELD WASHER</b>				
1		27400-12900	KIT-WASHER, WINDSHIELD (TO E/P R-40000)	1	1.6L		
2		27400-25900	KIT-WASHER, WINDSHIELD (FROM E/P R-40001)	1	1 ALL EXC FRANCE		N
3		27400-25901	KIT-WASHER WINDSHIELD (FROM OCT-67)	1	1 ALL EXC FRANCE		N
4		27400-A3300	KIT-WASHER WINDSHIELD	1	1 FRANCE		
5		27405-12900	COMP. & TANK, WINDSHIELD WASHER (TO E/P R-40000)	1	1 1.6L		
6		27470-25901	TANK-WASHER (FROM OCT-67)	1	1 ALL		N
7		27446-12900	ASSY-BRACKET, WASHER TANK (TO E/P R-40000)	1	1 ALL		
8		00114-41210	BOLT TO FIX BRACKET (TO E/P R-40000)	2	90 ALL		
9		00915-11410	WASHER-LOCK TO FIX BRACKET (TO E/P R-40000)	2	90 ALL		
10		27450-25901	ASSY-BRACKET W/S WASHER (FROM OCT-68)	1	1 ALL EXC. FRANCE		
11		27450-A3300	ASSY BRACKET W/S WASHER	1	1 2L FRANCE		
12		00914-24400	NUT WELD SQUARE	3	90 ALL		
13		00369-41210	SCREW	3	90 ALL		
14		27430-12900	ASSY-PUMP, WINDSHIELD WASHER (TO E/P R-40000)	1	1 1.6L		
15		27425-10600	ASSY-KNOB, WINDSHIELD WASHER (TO E/P R-40000)	1	10 1.6L		
16		27440-10600	ASSY-NOZZLE, WASHER (TO SEP-67)	2	10 ALL		

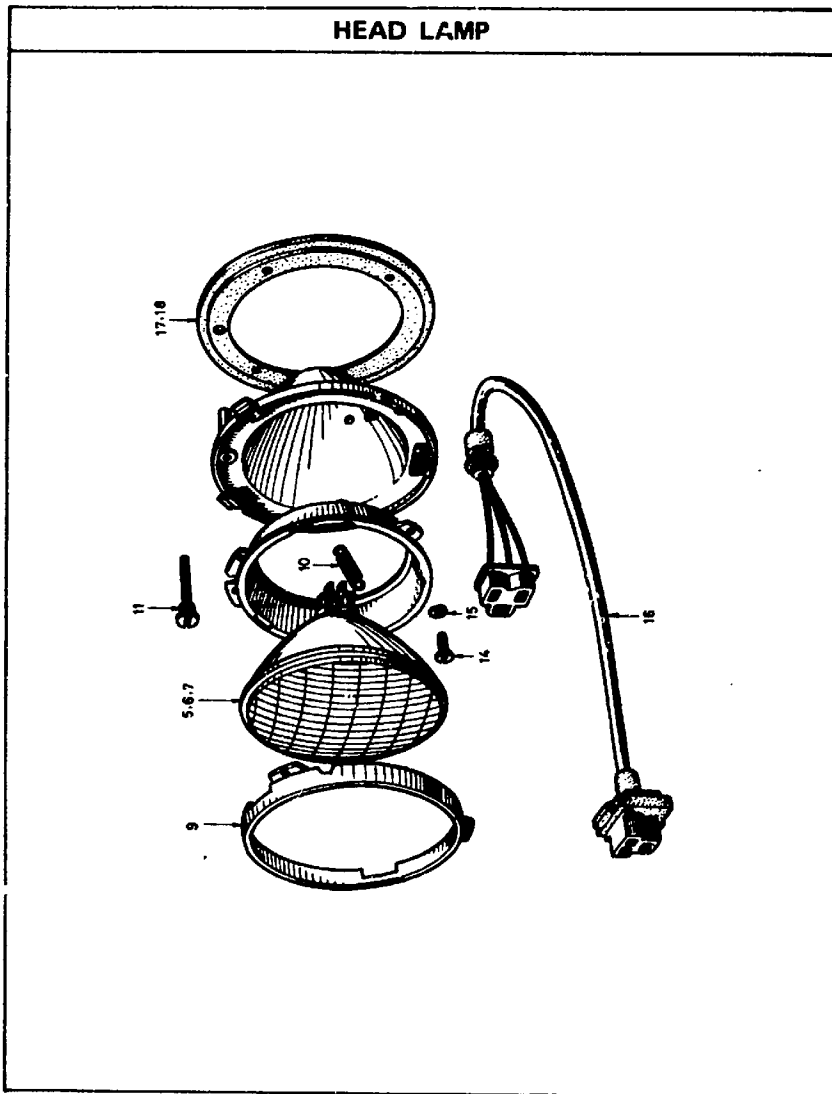
NISSAN MOTOR CO., LTD.

FIG. 24A

S	KEY NO.	PART NO.	PART NAME	QTY	SALES UNIT	MODEL	ICA
17		27440-21001	ASSY-NOZZLE, WASHER (FROM OCT-67)	2	10 ALL		N
18		27417-12900	TUBE-INLET (TO E/P R-40000)	1	1 ALL		
19		27418-12900	TUBE-OUTLET (TO SEP-67)	1	1 ALL		
20		27461-09945	TUBE-OUTLET (FROM OCT-67)	1	1 ALL EXC FRANCE		N
21		07460-09910	TUBE-OUTLET (L-10000)	1	1 ALL EXC FRANCE		Y
22		27462-09956	TUBE-OUTLET	1	1 FRANCE		
23		27418-35210	TUBE-OUTLET (TO SEP-67)	2	2 ALL		
24		27460-09927	TUBE-OUTLET (FROM OCT-67)	2	2 ALL		N
25		07460-09910	TUBE-VINYL (40 X 70 X 10000)	1	1 ALL		Y
26		27416-10600	TEE-TUBE, WINDSHIELD WASHER	1	10 ALL EXC FRANCE		
27		27416-09900	TEE-TUBE, WINDSHIELD WASHER	1	10 FRANCE		
28		24051-10600	GROMMET-RUBBER	1	5 ALL		
29		24250-09943	GROMMET-RUBBER (TO SEP-67) NOT FOR SALE	1	10 ALL		Y
30		04951-10600	GROMMET-RUBBER (FROM OCT-67)	1	10 ALL		N
31		04371-14601	GROMMET-RUBBER	1	1 ALL		Y
32		27476-A3300	HARNES WASHER MOTOR	1	1 FRANCE		



FIG. 25 N1 NISSAN MOTOR CO., LTD.

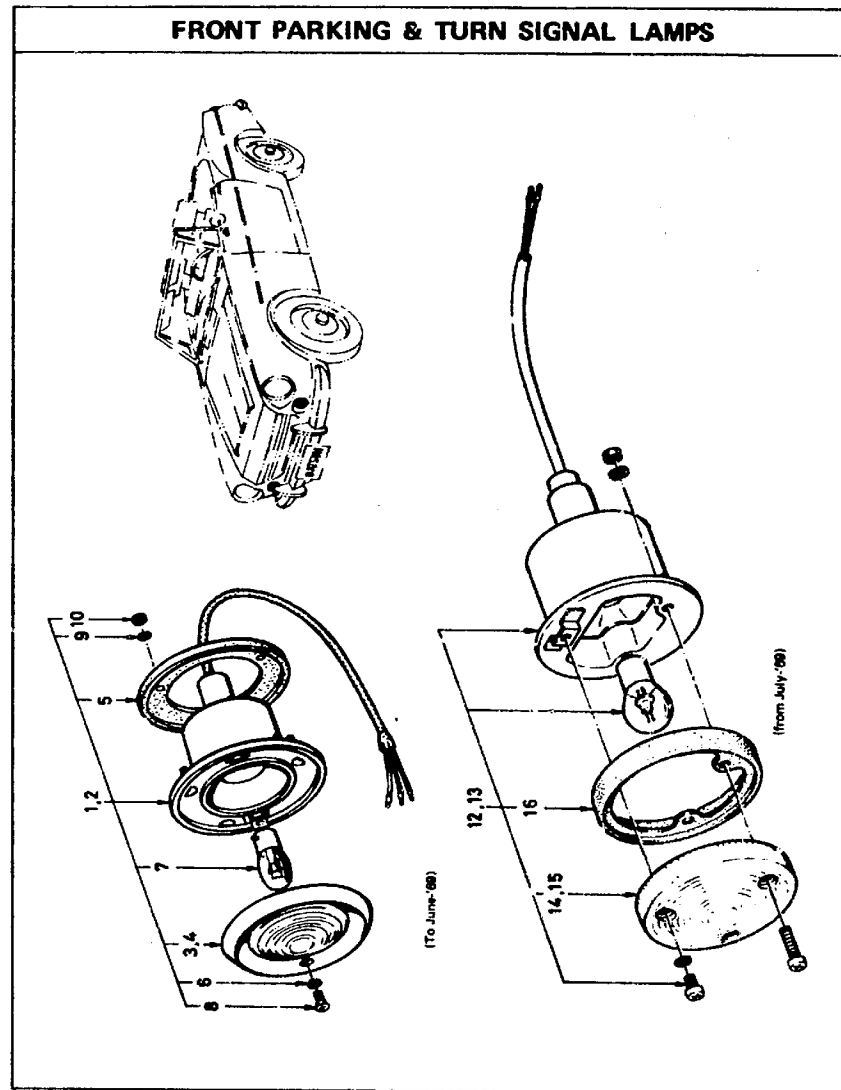


NISSAN MOTOR CO., LTD.

FIG. 25

S	KEY NO.	PART NO.	PART NAME	QTY	SALES UNIT	MODEL	ICA
			<b>HEAD LAMP</b>				
	1	2*010-14601	ASSY=LAMP,HEAD(ICHIKAWA)	2	2 SP,SR		
	2	2*010-14701	ASSY=LAMP,HEAD(ICHIKAWA)	2	1 SPL,SRL		
	3	2*010-A7400	ASSY=LAMP,HEAD(KOITO)	2	1 SP,SR		
	4	2*010-13000	ASSY=LAMP,HEAD(KOITO)	2	SPL,SRL		
	5	2*705-04101	UNIT=SEALED REAR	2	1 SP		
	6	2*705-04201	UNIT=SEALED REAR	2	1 SPL		
	7	2*705-09925	UNIT=SEALED REAR	2	SPL		Y
	8	2*017-04100	RING=RETAINING,LENS	2	1 ALL		
	9	2*017-18010	RING=RETAINING,LENS	2	5 ALL		Y
	10	2*017-14801	RING=RETAINING,LENS(FROM C/P # SPL311 002755)	2	2 ALL		N
	11	2*022-01301	SCREW=ADJUST	2	10 ALL		
	12	2*024-01301	SPRING=TENSION	2	10 ALL		
	13	2*024-58000	SPRING=TENSION(FROM C/P # SPL311 002755)	2	10 ALL		N
	14	2*022-04100	SCREW	8	10 ALL		
	15	0*915-11010	WASHER=LOCK	8	50 ALL		
	16	2*031-12900	ASSY=CABLE,CONNECTOR	2	1 ALL		
	17	2*027-14800	SHEET=HEAD LAMP	2	5 ALL		
	18	2*027-14801	SHEET=HEAD LAMP(FROM C/P # SPL311 002755)	2	1 ALL		N

FIG. 26 N2 NISSAN MOTOR CO., LTD.



DECEMBER, 1970

F26 - 1

Printed in Japan

NISSAN MOTOR CO., LTD.

FIG. 26

S	KEY NO.	PART NO.	PART NAME	QTY	SALES UNIT	MODEL	ICA
<b>FRONT PARKING &amp; TUBE SIGNAL LAMPS</b>							
	1	26120-12900	ASSY-LAMP, PARKING & TURN SIGNAL (WHITE) (TO JUN-69)	2	1 SP		
	2	26120-12901	ASSY-LAMP, PARKING & TURN SIGNAL (AMBER) (TO JUN-69)	2	1 SPL		
	3	26121-10400	ASSY-LENS, WITH RING (WHITE) (TO JUN-69)	2	1 SP		
	4	26121-10401	ASSY-LENS, WITH RING (AMBER) (TO JUN-69)	2	1 SPL		
	5	26123-10400	SEAT-RUBBER (TO JUN-69)	2	1 ALL		
	6	26127-04100	PACKING-WASHER (TO JUN-69)	4	10 ALL		
	7	26715-04200	BULB (12V-25/8W) (TO JUN-69)	2	50 ALL		
	8	00990-01210	SCREW (TO JUN-69)	4	50 ALL		
	9	00915-11010	WASHER-LOCK (TO JUN-69)	6	50 ALL		
	10	00911-11010	NUT (TO JUN-69)	6	50 ALL		
	11	26512-12900	ASSY-LENS & RING, MAP LAMP (TO SEP-67)	1	2 ALL		
	12	26120-A7500	ASSY-LAMP, PARKING & TURN SIGNAL (WHITE) (FROM JULY-69)	2	1 R DRIVE		
	13	26120-A7800	ASSY-LAMP, PARKING & TURN SIGNAL (AMBER) (FROM JULY-69)	2	1 L DRIVE		
	14	26121-A7500	ASSY-LENS FRONT LAMP (WHITE) (FROM JULY-69)	2	1 R DRIVE		

REVISED: JUNE, 1970

26 - 1

Printed in Japan

FIG. 26 N3 NISSAN MOTOR CO., LTD.

S KEY NO.	PART NO.	PART NAME	QTY	SALES UNIT	MODEL	ICA
15	26121-A7000	ASSY-LENS FRONT LAMP (AMBER) (FROM JULY-69)	2	1	L DRIVE	
16	26123-A7500	PACKING FRONT LAMP	2	2	ALL	

REVISED: JUNE • 1970

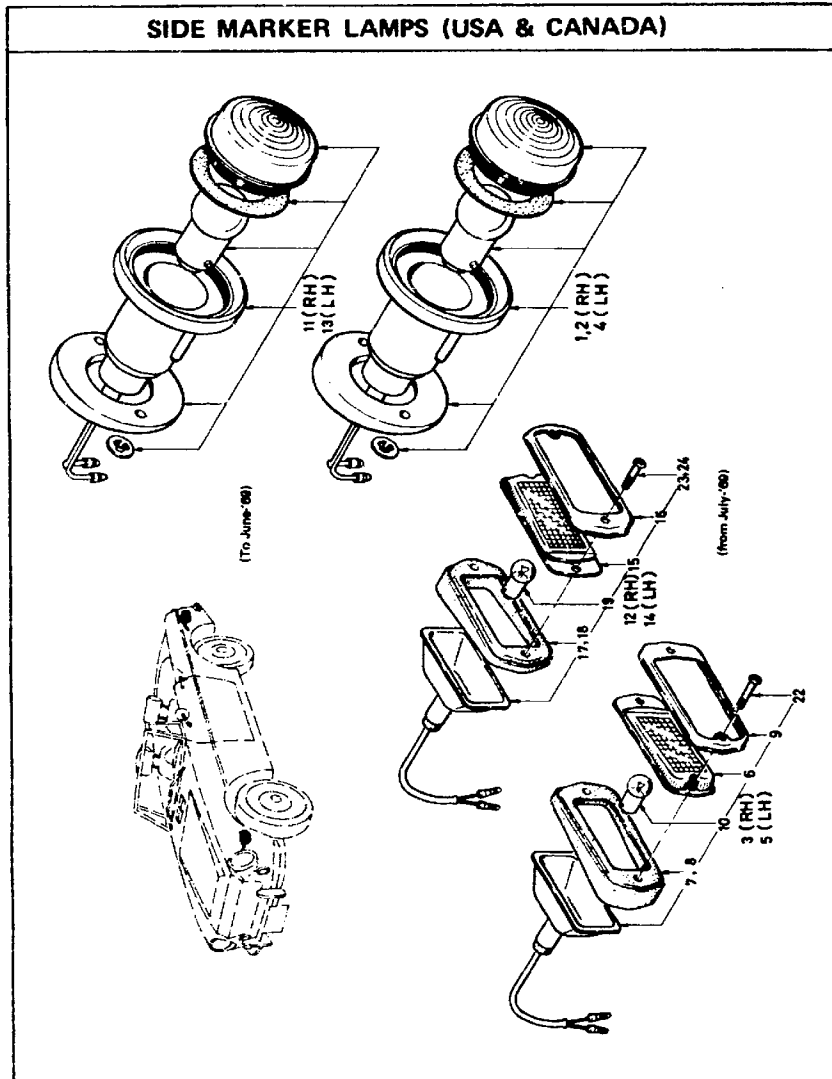
25- - 2

Printed in Japan

FIG. 26A N4 NISSAN MOTOR CO., LTD.

NISSAN MOTOR CO., LTD.

FIG. 26A



S KEY NO.	PART NO.	PART NAME	QTY	SALES UNIT	MODEL	ICA
<b>SIDE MARKER LAMPS (U.S.A. &amp; CANADA)</b>						
1	26180-14600	ASSY LAMP SIDE MARKER FRONT RH (FROM OCT-69)	1	2	USA & CANADA	
2	26180-12980	ASSY LAMP SIDE MARKER FRONT RH (FROM OCT-68)	1	2	USA & CANADA	Y
3	26180-A7800	ASSY LAMP SIDE MARKER FRONT RH (FROM JULY-69)	1	1	USA & CANADA	N
4	26180-14600	ASSY LAMP SIDE MARKER FRONT LH (FROM OCT-68)	1	2	USA & CANADA	
5	26180-A7800	ASSY LAMP SIDE MARKER FRONT LH (FROM JULY-69)	1	1	USA & CANADA	N
6	26191-A9500	LENS SIDE MARKER FRONT (FROM JULY-69)	2	5	USA & CANADA	
7	26183-A7800	PACKING SIDE MARKER FRONT RH (FROM JULY-69)	1	10	USA & CANADA	
8	26180-A7800	PACKING SIDE MARKER FRONT LH (FROM JULY-69)	1	10	USA & CANADA	
9	26182-A9500	RIM SIDE MARKER FRONT (FROM JULY-69)	2	1	USA & CANADA	
10	26715-89902	BULB 12V 8W FRONT (FROM JULY-69)	2	10	USA & CANADA	
11	26190-26000	ASSY LAMP SIDE MARKER REAR RH (FROM OCT-67)	1	1	USA & CANADA	
12	26190-A7800	ASSY=LAMP SIDE MARKER REAR RH (FROM JULY-69)	1	1	USA & CANADA	N
13	26195-26000	ASSY LAMP SIDE MARKER REAR LH (FROM OCT-67)	1	1	USA & CANADA	
14	26195-A7800	ASSY=LAMP SIDE MARKER REAR LH (FROM JULY-69)	1	1	USA & CANADA	N
15	26191-A9500	LENS SIDE MARKER REAR (FROM JULY-69)	2	5	USA & CANADA	

MARCH, 1970

F26A- 1

Printed in Japan

REVISED: JUNE, 1971

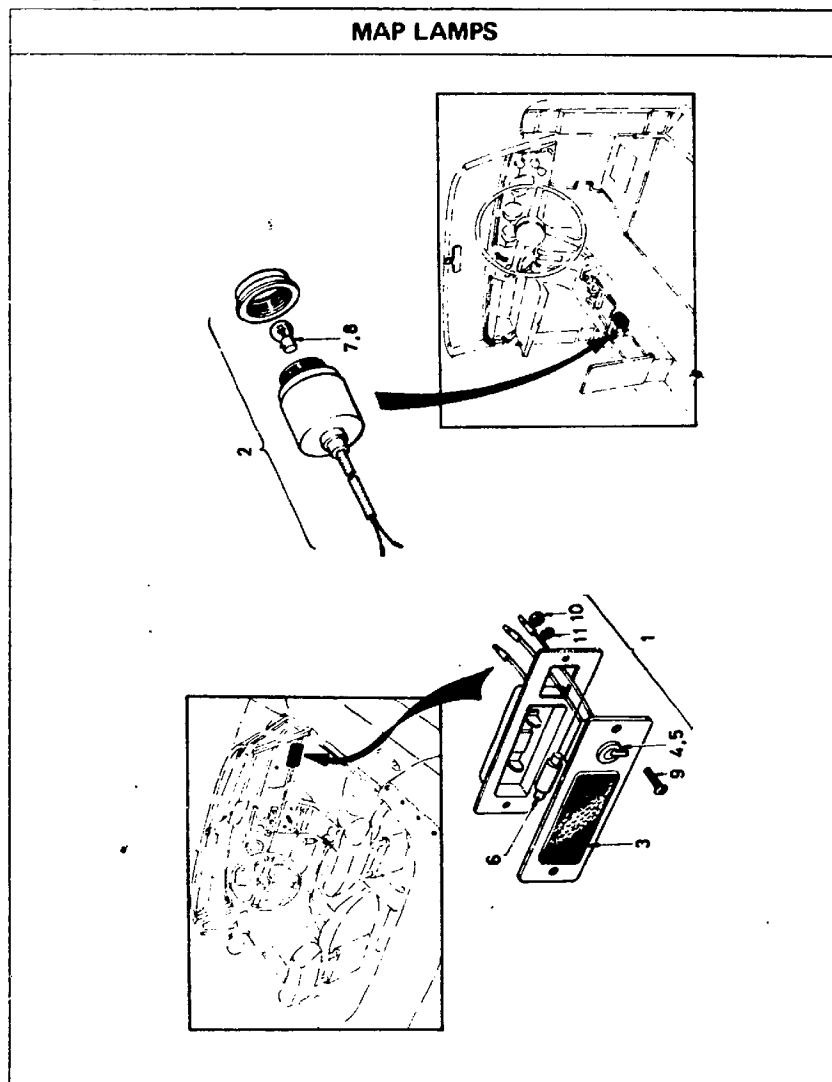
26-A- 1

Printed in Japan

FIG. 26A N5 NISSAN MOTOR CO., LTD.

S	KEY NO.	PART NO.	PART NAME	QTY	SALES UNIT	MODEL	ICA
	16	26182-A5500	RIM SIDE MARKER REAR (FROM JULY-69)	2	1	USA & CANADA	
	17	26193-A7800	PACKING SIDE MARKER REAR RH(FROM JULY-69)	1	1	USA & CANADA	
	18	26198-A7800	PACKING SIDE MARKER REAR LH(FROM JULY-69)	1	1	USA & CANADA	
	19	26715-89902	BULB 12V 9W REAR (FROM JULY-69)	2	10	USA & CANADA	
	20	26199-A5500	CAP REAR(FROM JULY-69)	1	1	USA & CANADA	
	21	08963-10410	NUT TO FIX SIDE LAMP	8	50	USA & CANADA	
	22	08410-42520	SCREW TO FIX SIDE LAMP	4	50	USA & CANADA	
	23	08410-43020	SCREW TO FIX SIDE LAMP	4		USA & CANADA	
	24	01451-00013	SCREW TO FIX SIDE LAMP	4	50	USA & CANADA	Y

FIG. 26B N6 NISSAN MOTOR CO., LTD.



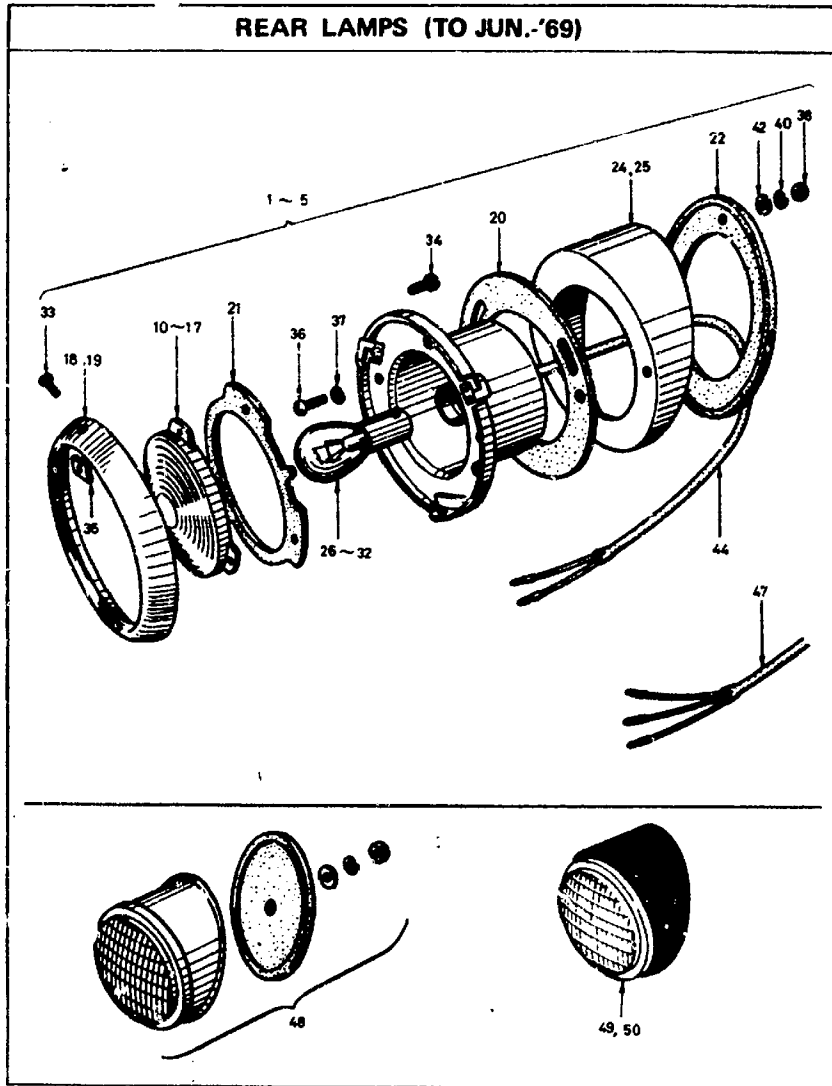
NISSAN MOTOR CO., LTD.

FIG. 26B

S KEY NO.	PART NO.	PART NAME	QTY	SALES UNIT	MODEL	ICA
<b>MAP LAMPS</b>						
1	26410-12900	ASSY-LAMP MAP (TO SEP-67)	1	2 ALL		
2	26410-25901	ASSY-LAMP MAP (FROM OCT-67)	1	1 ALL		N
3	26512-12900	ASSY-LENS & RIM, MAP LAMP (TO SEP-67)	1	2 ALL		
4	25270-12900	COMP-SWITCH, MAP LAMP (TO SEP-67)	1	ALL		
5	25270-10400	COMP-SWITCH, MAP LAMP (TO SEP-67)	1	1 ALL		Y
6	26710-10600	BULB 12V-1.5W (TO SEP-67)	1	50 ALL		
7	26717-04200	BULB 12V-8W (FROM OCT-67)	1	50 ALL		N
8	26715-89901	BULB 12V-8W (FROM OCT-67)	1	50 ALL		Y
9	00334-01210	SCREW-MACHINE (TO SEP-67)	2	50 ALL		
10	00911-10610	NUT-HEX (TO SEP-67)	2	50 ALL		
11	00915-10810	WASHER-SPRING (TO SEP-67)	2	50 ALL		

FIG. 27 N7

NISSAN MOTOR CO., LTD.



DECEMBER, 1970

F27 - 1

Printed in Japan

NISSAN MOTOR CO., LTD.

FIG. 27

S	KEY NO.	PART NO.	PART NAME	QTY	SALES UNIT	MODEL	ICA
			<b>REAR LAMPS</b>				
	1	26520-10400	ASSY=LAMP,TURN SIGNAL (AMBER)(TO SEP-67)	2	1	ALL(EXC.U.S.A.)	
	2	26520-10500	ASSY=LAMP,TURN SIGNAL (RED)(TO SEP-67)	2	1	U.S.A.ONLY	
	3	26520-25900	ASSY=LAMP,TURN SIGNAL (RED)(FROM OCT-67 TO SEP-68)	2	1	ALL EXC AUSTRALIA	N
	4	26520-10400	ASSY=LAMP,TURN SIGNAL (AMBER)(TO SEP-66)	2	1	AUSTRALIA	Y
	5	26520-10400	ASSY=LAMP,TURN SIGNAL (AMBER)(FROM OCT-68)	2	1	ALL (EXC U.S.A. & CANADA)	N
	6	26550-A3300	ASSY=LAMP,STOP & TURN(RED)(FROM OCT-68)	2	1	USA & CANADA	Y
	7	26530-10400	ASSY=LAMP,STOP & TAIL (RED)(TO SEP-68)	2	1	ALL	
	8	26530-10400-01	ASSY=LAMP,STOP & TAIL (RED) (TO SEP-68)	2	2	ALL	Y
	9	26550-A3300	ASSY=LAMP,STOP & TAIL (RED)(FROM OCT-68)	2	1	ALL	Y
	10	26521-00700	LENS (FOR 26520-10400, AMBER)(TO SEP-67)	2	1	ALL(EXC USA)	
	11	26521-00701	LENS FOR 26520-10500 (RED)(TO SEP-67)	2	1	U.S.A.ONLY	
	12	26521-25900	LENS FOR 26520-25900 (RED)(FROM OCT-67 TO SEP-68)	2	1	ALL EXC AUSTRALIA	N
	13	26521-00700	LENS FOR 26520-10400 (AMBER)(FROM OCT-67 TO SEP-66)	2	1	AUSTRALIA	Y

REVISED: DECEMBER, 1970

27 - 1

Printed in Japan

FIG. 27 N8 NISSAN MOTOR CO., LTD.

S	KEY NO.	PART NO.	PART NAME	QTY	SALES UNIT	MODEL	ICA
	14	26521-09700	LENS FOR 26520-10400 (AMBER)(FROM OCT-68)	2	1	ALL (EXC USA & CANADA)	
	15	26551-A3300	LENS FOR 26550-A3300 (RED)(FROM OCT-68)	2	1	USA & CANADA	N
	16	26521-09701	LENS FOR 26530-10400 (RED)(TO SEP-68)	2	1	ALL	
	17	26551-A3300	LENS FOR 26550-A3300 (RED)(FROM OCT-68)	2	1	ALL	N
•	18	26522-09700	RIM	4	1	ALL	
	19	26552-A3300	RIM FOR 26550-A3300	4	1	ALL	
	20	26523-09700	SEAT-RUBBER(LAMP BODY TO ADAPTER)	4	1	ALL	
	21	26520-09700	SEAT-RUBBER(LENS TO LAMP BODY)	4	1	ALL	
	22	26520-10400	SEAT-RUBBER(ADAPTER TO BODY)	4	1	ALL	
•	23	26529-10400	ASSY-ADAPTER,TURN SIGNAL LAMP,REAR	4	1	ALL	
	24	26529-A7500	ASSY-ADAPTER,TURN SIGNAL LAMP,REAR	4	1	ALL	Y
	25	26553-A3300	ASSY-ADAPTER,TURN SIGNAL LAMP,REAR FOR 26550-A3300	4		ALL	
•	26	26716-07300	BULB-TURN SIGNAL LAMP (12V-25W)(TO SEP-68)	2	50	ALL	
	27	26716-09900	BULB-TURN SIGNAL LAMP (12V-25W)(TC SEP-68)	2	10	ALL	Y
•	28	26716-07300	BULB-TURN SIGNAL LAMP (12V-25W)(FROM OCT-68)	2	50	ALL (EXC USA & CANADA)	
•	29	26715-04200	BULB=STOP & TAIL LAMP (12V-25/8W)(TO SEP-68)	2	50	ALL	
	30	26717-09920	BULB=STOP & TAIL LAMP (12V-25/8W)(TO SEP-68)	2	10	ALL	Y

NISSAN MOTOR CO., LTD.

FIG. 27

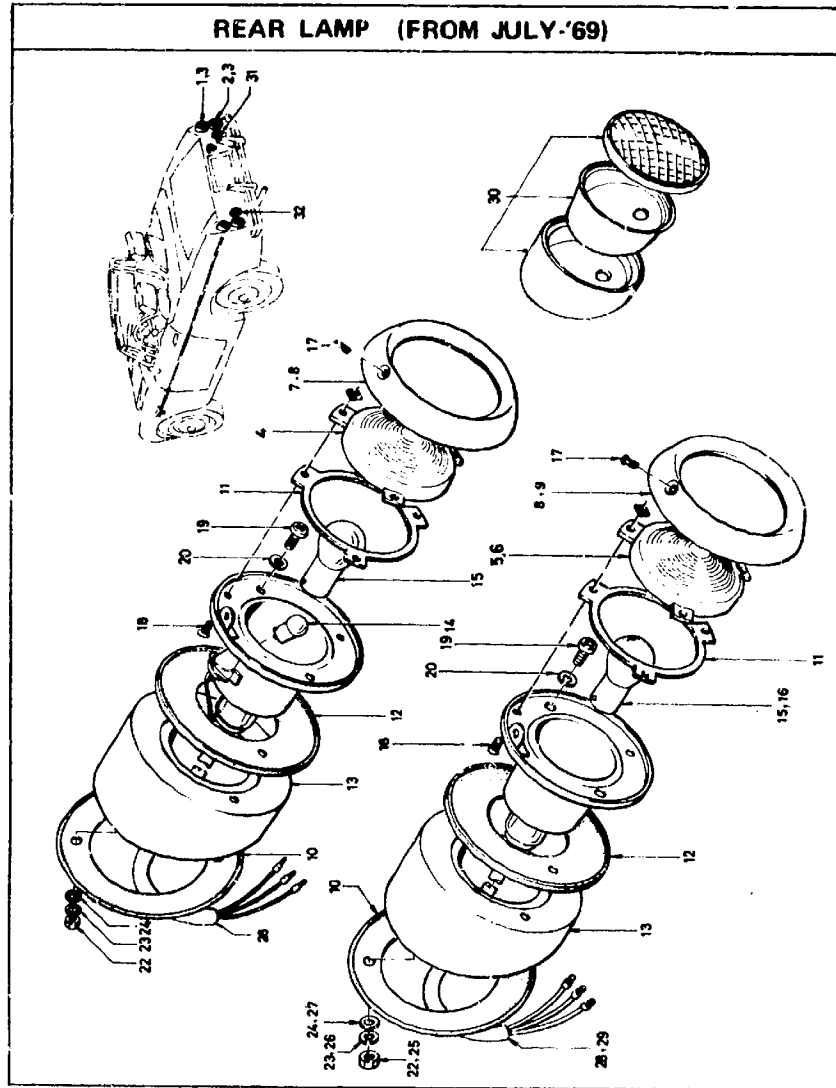
S	KEY NO.	PART NO.	PART NAME	QTY	SALES UNIT	MODEL	ICA
•	31	26715-04200	BULB=STOP & TAIL LAMP (12V-25/8W)(FROM OCT-68)	2	50	ALL (EXC USA & CANADA)	
•	32	26715-04200	BULB=STOP & TAIL LAMP (12V-25/8W)(FROM OCT-68)	4	50	USA & CANADA	
	33	00330-60820	SCREW(RIM TO LAMP BODY)	4	50	ALL	
	34	00320-60810	SCREW TO FIX LENS TO LAMP BODY	12	50	ALL	
	35	00913-10810	NUT-SQUARE TO FIX LENS TO LAMP BODY	12	50	ALL	
	36	00314-01210	SCREW TO FIX LAMP BODY TO ADAPTER	8	50	ALL	
	37	00915-11010	WASHER=LOCK TO FIX LAMP BODY TO ADAPTER	8	50	ALL	
	38	00999-20310	NUT TO FIX ADAPTER TO LAMP BODY	8	50	ALL	
	39	00911-10610	NUT TO FIX ADAPTER TO LAMP BODY FOR 26550-A3300	8	50	ALL	
	40	00999-90310	WASHER=LOCK TO FIX ADAPTER TO LAMP BODY	8	50	ALL	
	41	00915-13610	WASHER=LOCK TO FIX ADAPTER TO LAMP BODY FOR 26550-A3300	8	50	ALL	
	42	00915-41410	WASHER=PLAIN TO FIX ADAPTER TO LAMP BODY	8	50	ALL	
	43	00915-43610	WASHER=PLAIN TO FIX ADAPTER TO LAMP BODY FOR 26550-A3300	8	50	ALL	
	44	26529-09700	ASSY=CABLE TURN SIGNAL (TO SEP-67)	2	1	ALL	
	45	26529-25900	ASSY=CABLE,TURN SIGNAL (FROM OCT-67)	2	1	AUSTRALIA	N



FIG. 27 N9 NISSAN MOTOR CO., LTD.

S	KEY NO.	PART NO.	PART NAME	QTY	SALES UNIT	MODEL	ICA
•	46	26939-10400	ASSY-CABLE, STOP & TAIL LAMP (TO SEP-67)	2	1	ALL	
	47	26939-A7800	ASSY-CABLE, STOP & TAIL LAMP (TO SEP-67)		1	ALL	Y
	48	26960-10400	ASSY-REFLECTOR	2	1	ALL EXC FRANCE	
	49	26960-A3201	ASSY-REFLEX REFLECTOR RM	1	1	FRANCE	
	50	26965-A3201	ASSY-REFLEX REFLECTOR LM	1	1	FRANCE	

FIG. 27A N10 NISSAN MOTOR CO., LTD.



DECEMBER, 1969

F27A-1

Printed in Japan

NISSAN MOTOR CO., LTD.

FIG. 27A

KEY NO.	PART NO.	PART NAME	QTY	SALES UNIT	MODEL	ICA
<b>REAR LAMPS (FROM JUL-'69)</b>						
1	26520-A7500	ASSY=LAMP,TURN SIGNAL REAR (AMBER)	2	1	ALL EXC USA & CANA DA	
2	26550-A7800	ASSY=LAMP COMBINATION REAR (RED)	2	1	ALL EXC USA & CANA DA	
3	26550-A7800	ASSY=LAMP COMBINATION REAR (RED)	4	1	USA & CANA DA	
4	26521-A7500	LENS=TURN SIGNAL REAR (AMBER)	2		ALL EXC, USA & CANA DA	
5	26551-A7800	LENS=COMBINATION REAR (RED)	2	1	ALL EXC USA & CANA DA	
6	26551-A7800	LENS=COMBINATION REAR (RED)	4	1	USA & CANA DA	
7	26522-09700	RIM	2	1	ALL EXC USA & CANA DA	
8	26552-A7300	RIM	2	1	ALL EXC USA & CANA DA	
9	26552-A7300	RIM	4	1	USA & CANA DA	
10	26523-09700	SEAT RUBBER (BODY TO ADOPTOR)	4	1	ALL	
11	26528-A7500	PACKING=LAMP REAR	4	1	ALL	
12	26528-10400	SHEET COMBINATION LAMP	3	1	ALL	
13	26529-A7500	ASSY=ADOPTOR TURN SIGNAL REAR	4	1	ALL	

REVISED: DECEMBER, 1970

27-A- 1

Printed in Japan

FIG. 27A N11 NISSAN MOTOR CO., LTD.

S	KEY NO.	PART NO.	PART NAME	QTY	SALES UNIT	MODEL	ICA
	14	26717-89900	BULB TURN SIGNAL REAR (12V-23W)	2	10	ALL EXC USA & CANA DA	
	15	26717-89920	BULB COMINATION LAMP REAR (12V-23-7W)	2	10	ALL EXC USA & CANA DA	
	16	26717-89920	BULB COMINATION LAMP REAR (12V 23-7W)	4	10	USA & CANA DA	
	17	00330-60620	SCREW (RIM TO LAMP BODY)	2	50	ALL EXC USA & CANA DA	
	18	00310-30812	PH CROSS SCREW M3X5	6		ALL EXC USA & CANA DA	
	19	00314-01210	SCREW (LAMP BODY TO ADOPTOR)	4	50	ALL EXC USA & CANA DA	
	20	00915-11010	SPRING WASHER (LAMP BODY TO ADOPTOR)	4	50	ALL EXC USA & CANA DA	
	21	00998-11210	PH SCREW 6 P 10	4	50	ALL EXC USA & CANA DA	
	22	00911-10610	NUT HEX (ADOPTOR TO LAMP BODY)	4	50	ALL EXC USA & CANA DA	
	23	00915-13610	WASHER SPRING (ADOPTOR TO LAMP BODY)	4	50	ALL EXC USA & CANA DA	
	24	00915-43610	WASHER PLAIN (ADOPTOR TO LAMP BODY)	4	50	ALL EXC USA & CANA DA	
	25	00911-10610	NUT HEX (ADOPTOR TO LAMP BODY)	8	50	USA & CANA DA	
	26	00915-13610	WASHER SPRING (ADOPTOR TO LAMP BODY)	8	50	USA & CANA DA	
	27	00915-43610	WASHER PLAIN (ADOPTOR TO LAMP BODY)	8	50	USA & CANA DA	

27-A- 2

REVISED: DECEMBER, 1970

NISSAN MOTOR CO., LTD.

FIG. 27A

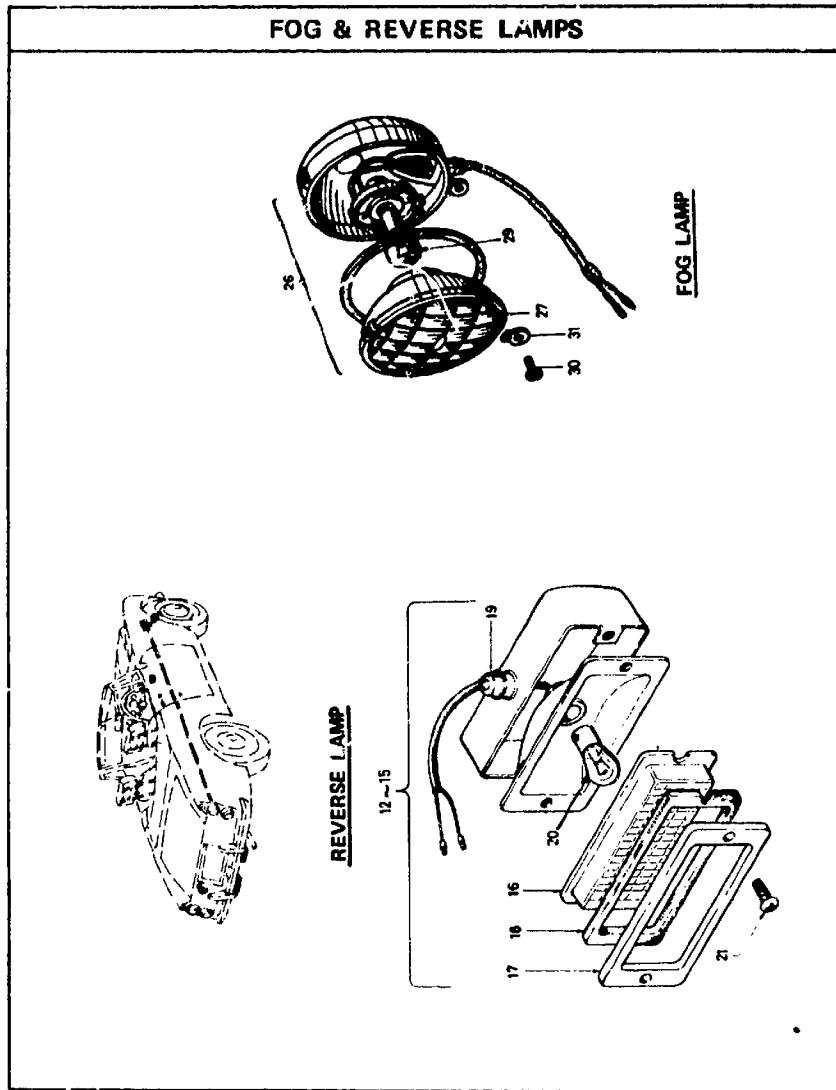
S	KEY NO.	PART NO.	PART NAME	QTY	SALES UNIT	MODEL	ICA
	28	26539-A7800	ASSY CABLE COMBINATION LAMP REAR	2	1	ALL EXC USA & CANA DA	
	29	26539-A7800	ASSY CABLE COMBINATION LAMP REAR	1	1	USA & CANA DA	
	30	26560-10400	ASSY-REFLEX REFLECTOR	2	1	ALL EXC USA, CANADA & FRANCE	
	31	26560-AJ201	ASSY-REFLEX REFLECTOR RH	1	1	USA, CANADA & FRANCE	
	32	26560-AJ201	ASSY-REFLEX REFLECTOR LH	1	1	USA, CANADA & FRANCE	

27-A- 3

REVISED: DECEMBER, 1970

Printed in Japan

FIG. 28-1 N12 NISSAN MOTOR CO., LTD.



NISSAN MOTOR CO., LTD.

FIG. 28-2

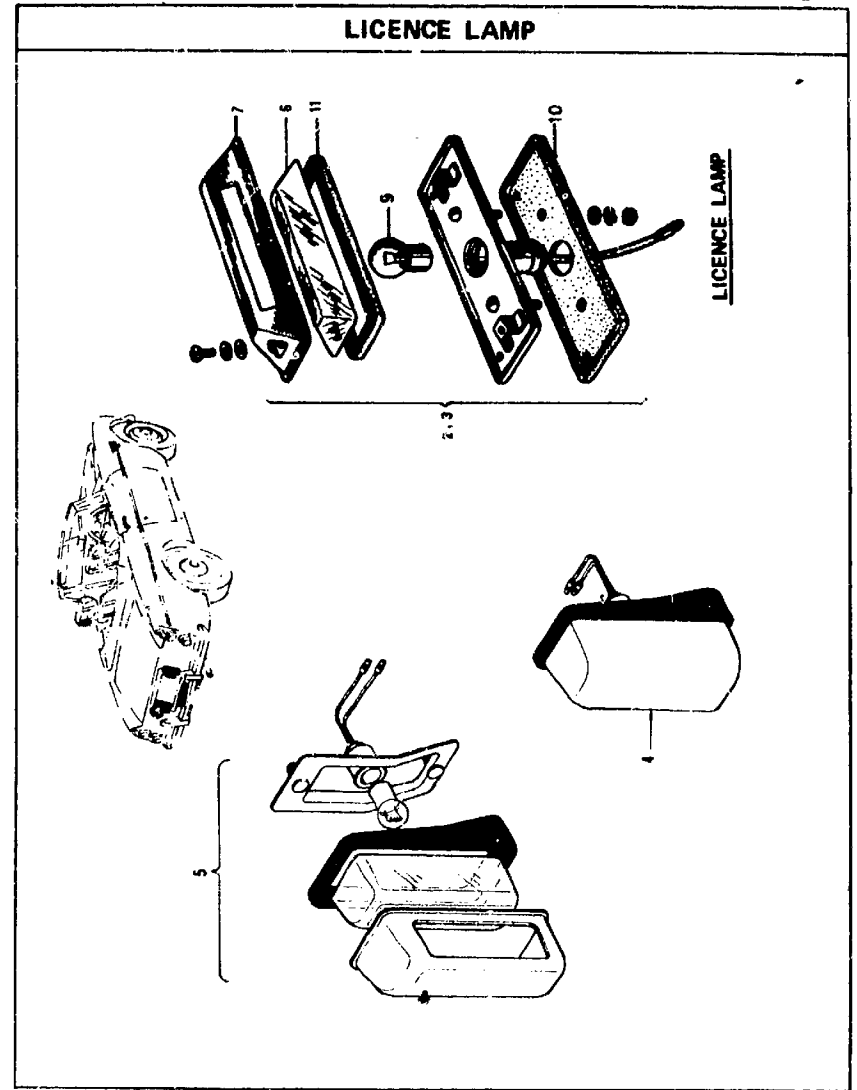


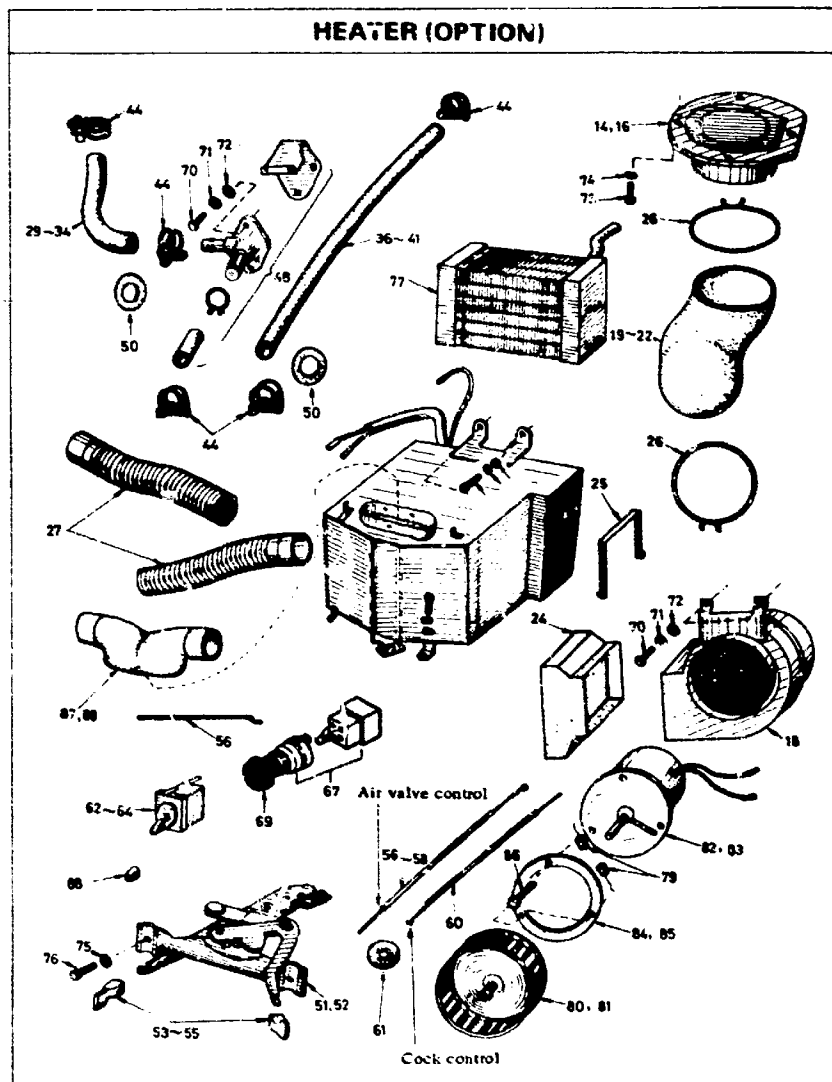
FIG. 28 N13 NISSAN MOTOR CO., LTD.

S	KEY NO.	PART NO.	PART NAME	QTY	SALES UNIT	MODEL	ICA
<b>REVERSE FOG &amp; LICENCE LAMPS</b>							
•	1	26510-36700	ASSY=LAMP,LICENCE	1	2	ALL	
	2	26510-25900	ASSY=LAMP,LICENCE (TO SEP-68)	1	1	ALL	Y
	3	26510-25900	ASSY LAMP LICENCE (FROM OCT-68)	2	1	ALL (EXC U SA & CANADA)	Y
	4	26510-A3300	ASSY LAMP LICENCE RH (FROM OCT-68)	1	2	USA & CANADA	N
	5	26515-A3300	ASSY LAMP LICENCE LH (FROM OCT-68)	1	1	USA & CANADA	N
	6	26511-32200	LENS	1	5	ALL	
	7	26512-32200	RIM	1	1	ALL	
•	8	26717-04200	BULB(12V-8W)	1	50	ALL	
	9	26715-89902	BULB(12V-8W)	1	10	ALL	Y
	10	26513-32200	SEAT-RUBBER	1	5	ALL	
	11	26518-32200	PACKING=LENS	1	5	ALL	
	12	26540-10400	ASSY=LAMP, REVERSE (TO SEP-68)	1	1	ALL	
	13	26540-10400	ASSY LAMP REVERSE (FROM OCT-68)	1	1	ALL EXC US A CANADA & FRANCE	Y
	14	26540-10400	ASSY=LAMP REVERSE (FROM OCT-68)	2	1	USA & CANADA	Y
	15	26540-A3200	ASSY=LAMP REVERSE	1		FRANCE	
	16	26231-02700	LENS=REVERSE LAMP	1	1	ALL	
	17	26233-02700	RIM=REVERSE LAMP LENS	1	1	ALL	
	18	26234-02700	PACKING=REVERSE LAMP	1	1	ALL	

NISSAN MOTOR CO., LTD.

FIG. 28

S	KEY NO.	PART NO.	PART NAME	QTY	SALES UNIT	MODEL	ICA
	19	26547-10400	RUBBER=WATER PROOF	1	1	ALL	
	20	26232-02700	BULB(12V-1.5W)	1	50	ALL	
	21	00998-81120	SCREW	2	50	ALL	
	22	26544-10400	BRACKET=REVERSE LAMP	1	1	ALL	
	23	26544-A3301	BRACKET=REVERSE LAMP	1		ALL	Y
	24	00314-41410	SCREW	2	50	ALL	
	25	00915-11410	WASHER=LOCK	2	50	ALL	
	26	26150-09401	ASSY=LAMP,FOG	2	1	OP,ALL	
	27	26151-36700	ASSY=LENS,FOG LAMP	2	1	OP,ALL	
•	28	26713-34200	BULB(12V-35W)	2	1	OP,ALL	
	29	26718-89906	BULB(12V-35W)	2	10	OP,ALL	Y
	30	00998-52520	SCREW	2	50	OP,ALL	
	31	26152-30800	ASSY=HOLDER,LENS	2	5	OP,ALL	



S KEY NO.	PART NO.	PART NAME	QTY	SALES UNIT	MODEL	ICA
<b>HEATER (OPTION)</b>						
1	27010-14600	KIT-HEATER, ROOM	1	1 SP		
2	27010-14601	KIT-HEATER, ROOM (TO SEP-67)	1	1 SP		Y
3	27010-14700	KIT-HEATER, ROOM	1	SPL		
4	27010-14701	KIT-HEATER, ROOM (TO SEP-67)	1	1 SPL		Y
5	27010-A3202	KIT-HEATER, ROOM (FROM OCT-67)	1	1 SP, SPL		N
6	27010-25501	KIT-HEATER ROOM FOR SU CAB (TO SEP-67)	1	SR		
7	27010-A3201	KIT-HEATER ROOM FOR SU CAB (FROM OCT-67)	1	SR		N
8	27010-25500	KIT-HEATER ROOM FOR SOLEX CAB (TO SEP-67)	1	SR		
9	27010-A3200	KIT-HEATER ROOM FOR SOLEX CAB (FROM OCT-67)	1	SR		N
10	27010-25601	KIT-HEATER ROOM (ON SU CAB) (TO SEP-67)	1	1 SRL		
11	27010-A3201	KIT-HEATER ROOM FOR SU CAB (FROM OCT-67)	1	SRL		N
12	27010-25600	KIT-HEATER ROOM FOR SOLEX CAB (TO SEP-67)	1	1 SRL		
13	27010-A3200	KIT-HEATER ROOM FOR SOLEX CAB (FROM OCT-67)	1	SRL		N
14	27100-12901	VALVE-AIR INTAKE	1	1, 4L		
15	27100-14600	VALVE-AIR INTAKE	1	ALL		Y
16	27100-12901	VALVE-AIR INTAKE	1	1 ALL		Y

FIG. 28A B3 NISSAN MOTOR CO., LTD.

S	KEY NO.	PART NO.	PART NAME	QTY	SALES UNIT	MODEL	ICA
#	17	B7010-12900	CASING	1	1	SP,SR	
	18	B7010-13000	CASING	1		SPL,SRL	
	19	27152-12901	DUCT-AIR INTAKE	1		SP	
	20	27152-14600	DUCT-AIR INTAKE	1		SP,SR	Y
•	21	27152-13001	DUCT-AIR INTAKE	1	1	SPL	
	22	27152-14700	DUCT-AIR INTAKE	1	1	SPL,SRL	Y
•	23	27151-12901	DUCT-AIR	1	1	1.6L	
	24	27151-14600	DUCT-AIR	1	1	ALL	Y
	25	27086-12901	CLIP=DUCT	1	2	ALL	
	26	27085-09400	CLIP=AIR HOSE	2	1	ALL	
	27	27161-12900	HOSE=DEFROSTER	2	1	ALL	
•	28	27063-12901	HOSE=WATER(1)	1	1	1.6L	
	29	27063-14600	HOSE=WATER(1)(TO SEP-67)	1	3	1.6L	Y
	30	27063-A3202	HOSE=WATER(1)(FROM OCT-67)	1	3	1.6L	N
	31	27066-25500	HOSE=WATER(1) FOR SU CARB(TO SEP-67)	1	3	2L	
	32	27063-A3201	HOSE=WATER(1) FOR SU CARB(FROM OCT-67)	1	3	2L	N
	33	27063-25500	HOSE=WATER(1) FOR SOLEX CARB (TO SEP-67)	1	3	2L	
	34	27063-A3200	HOSE=WATER(1) FOR SOLEX CARB (FROM OCT-67)	1	3	2L	N
•	35	27065-12901	HOSE=WATER(2)	1	3	1.6L	
	36	27065-14600	HOSE=WATER(2)(TO SEP-67)	1	3	1.6L	Y
	37	27065-A3202	HOSE=WATER(2)(FROM OCT-67)	1	1	1.6L	N

28-A- 2

Printed in Japan

REVISED: JUNE, 1971

NISSAN MOTOR CO., LTD.

FIG. 28A

S	KEY NO.	PART NO.	PART NAME	QTY	SALES UNIT	MODEL	ICA
	38	27067-25500	HOSE=WATER(2) FOR SU CARB(TO SEP-67)	1	1	2L	
	39	27065-A3201	HOSE=WATER(2) FOR SU CARB(FROM OCT-67)	1	1	2L	N
	40	27065-25500	HOSE=WATER(2) FOR SOLEX CARB (TO SEP-67)	1	3	2L	
	41	27065-A3200	HOSE=WATER(2) FOR SOLEX CARB (FROM OCT-67)	1	1	2L	N
	42	27075-32600	CLAMP=HOSE,WATER	3	3	1.6L	
	43	27075-14600	CLAMP=HOSE,WATER	3		ALL	Y
	44	27076-14600	CLAMP=HOSE,WATER	2		ALL	Y
	45	27090-21600	CLAMP=HOSE WATER(FROM OCT-67)	2	10	1.6L	
	46	27076-25900	CLAMP=HOSE WATER(FROM OCT-67)	2	10	1.6L	
	47	27090-21600	CLAMP=HOSE WATER(FROM OCT-67)	4	10	2L	
	48	27090-12900	COCK=CONTROL(TO SEP-67)	1	1	ALL	
	49	27090-25900	COCK=CONTROL(L. FROM OCT-67)	1	1	ALL	N
	50	00951-11000	SHOHNET=WATER PIPE	2	10	ALL	
	51	27135-12901	CONTROL=HEATER(TO SEP-67)	1	1	ALL	
	52	27135-25900	CONTROL=HEATER(FROM OCT-67)	1	1	ALL	N
#	53	X1510-30721	KNOB HEATER CONTROL ROOM/DEFROST	1		ALL	
#	54	X1510-30722	KNOB HEATER CONTROL OUT/IN	1		ALL	
#	55	X1510-30723	KNOB HEATER CONTROL HOT/COLD	1		ALL	

28-A- 3

Printed in Japan

REVISED: JUNE, 1971

FIG. 28A B4 NISSAN MOTOR CO., LTD.

S	KEY NO.	PART NO.	PART NAME	QTY	SALES UNIT	MODEL	ICA
	56	27131-12901	CABLE=HEATER CONTROL (TO SEP-67)	1	5 ALL		
	57	27138-12901	CABLE=HEATER CONTROL (TO SEP-67)	1	5 ALL		
	58	27138-25900	CABLE=HEATER CONTROL (FROM OCT-67)	2	5 ALL	N	
	59	27132-25900	CABLE=ROOM VALVE CONTROL	1	5 ALL		
	60	27134-12901	CABLE=COCK CONTROL	1	5 ALL		
	61	24251-36700	GROMMET	1	5 ALL		
	62	25340-12900	SWITCH=HEATER (TO E/R=40000)	1	1 1.6L		
	63	25340-25900	SWITCH=HEATER (FROM E/R=40001 TO SEP-67)	1	1 1.6L	N	
	64	25340-25900	SWITCH=HEATER (TO SEP-67)	1	1 2L		
	65	25340-25900	SWITCH=HEATER (FROM OCT-67 TO SEP-68)	1	1 ALL	N	
	66	25340-43200	SWITCH=HEATER (FROM OCT-68)	1	1 ALL	Y	
	67	25340-47400	SWITCH=HEATER (FROM JULY-69)	1	5 ALL	Y	
	68	25345-25900	KNOB=HEATER SW (FROM OCT-67 TO SEP-68)	1	5 ALL		
	69	25345-43200	KNOB=HEATER (FROM OCT-68)	1	5 ALL	Y	
	70	00114-41610	BOLT=HEXAGON	7	50 ALL		
	71	00915-11410	WASHER=SPRING	7	50 ALL		
	72	00915-41410	WASHER=PLAIN	7	50 ALL		
	73	00414-01210	SCREW=PAN, VALVE	4	50 ALL		
	74	00915-11010	WASHER=SPRING, VALVE	4	50 ALL		
	75	00911-14010	NUT=HEXAGON, LEVER	2	50 ALL		

28-A- 4

Printed in Japan

REVISED: JUNE, 1971

NISSAN MOTOR CO., LTD.

FIG. 28A

S	KEY NO.	PART NO.	PART NAME	QTY	SALES UNIT	MODEL	ICA
	76	00369-01210	SCREW=HEXAGON, LEVER	2	50 ALL		
	77	07010-12901	CORE=HEATER (TO SEP-68)	1	1 ALL		
	78	07010-25901	CORE=HEATER (FROM OCT-68)	1	1 ALL	N	
	79	07010-11405	BRUSH	2	1 ALL		
	80	07010-14601	FAN WITH NUT	1	1 SP, SR		
	81	07010-14700	FAN WITH NUT	1	1 SPL, SRL		
	82	07010-14600	MOTOR 12V-30W	1	1 SP, SR		
	83	07010-14701	MOTOR 12V-30W	1	1 SPL, SRL		
	84	07010-12904	PACKING	1	1 SP, SR		
	85	07010-13003	PACKING	1	1 SPL, SRL		
	86	07010-12905	BOLT	3	10 ALL		
	87	07010-12907	HOSE=DEMISTER, DUCT (TO SEP-67)	1	1 ALL		
	88	X1510-30450	HOSE=DEMISTER, DUCT (1510-30450) (FROM OCT-67)	1	ALL	N	
	89	27040-25900	NOZZLE=DEMISTER RH (FROM OCT-67)	1	1 ALL		
	90	27041-25900	NOZZLE=DEMISTER LH (FROM OCT-67)	1	1 ALL		
	91	60141-12901	KNOB=LEVER CONTROL (TO SEP-67)	2	10 1.6L		
	92	66502-25900	KNOB=LEVER, CONTROL (FROM OCT-67)	2	5 ALL	N	

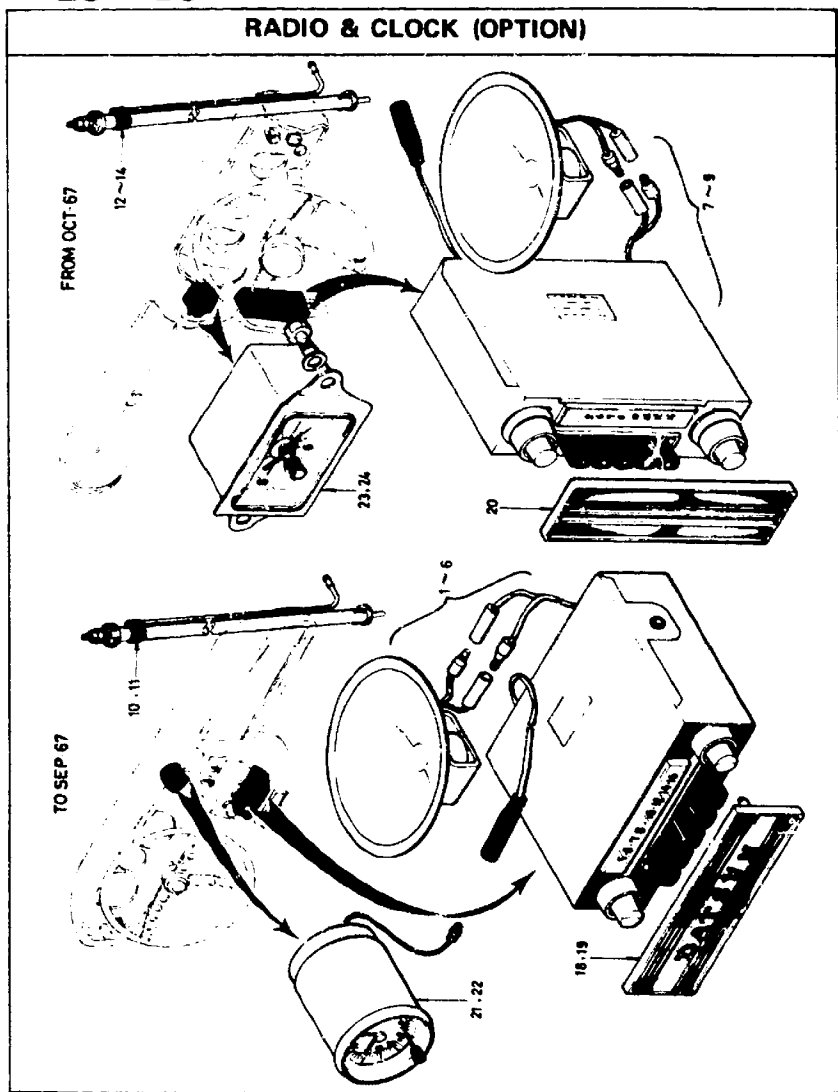
28-A- 5

Printed in Japan

REVISED: JUNE, 1971



FIG. 28 B5 NISSAN MOTOR CO., LTD.



SEPTEMBER, 1971

F28B - 1

Printed in Japan

NISSAN MOTOR CO., LTD.

FIG. 28 B

S	KEY NO.	PART NO.	PART NAME	QTY	SALES UNIT	MODEL	ICA
			<b>RADIO &amp; CLOCK (OPTION)</b>				
	1	27310-14600	SET-RADIO (TO E/S R-40000)	1	1 OP SP		
	2	27310-14601	SET-RADIO ANTI-NOISE (TO E/S R-40000)	1	OP ALL		
	3	27310-29900	SET-RADIO (FROM E/S R-40001 TO SEP-67)	1	1 OP SP SR		Y
	4	27310-14700	SET-RADIO (TO E/S R-40000)	1	1 OP SPL		
	5	27310-14701	SET-RADIO ANTI-NOISE (TO E/S R-40000)	1	OP SPL		
	6	27310-25600	SET-RADIO (FROM E/S R-40001 TO SEP-67)	1	1 OP SPL SRL		Y
	7	27310-25900	SET-RADIO (FROM OCT-67 TO SEP-68)	1	1 OP ALL		N
	8	27310-A3200	SET-RADIO (FROM OCT-68)	1	1 OP ALL		Y
	9	27310-A3201	SET-RADIO	1	1 OP ALL		Y
	10	27314-12900	SET-ANTENNA	1	1 OP ALL		
	11	27350-25500	SET-ANTENNA (FROM E/S R-40001 TO SEP-67)	1	OP ALL		Y
	12	27350-25900	SET-ANTENNA (FROM OCT-67 TO SEP-68)	1	OP ALL		Y
	13	27350-A3201	SET-ANTENNA (FROM OCT-68) (NOT ADOPTED)	1	OP, ALL		Y
	14	27350-A3200	SET-ANTENNA (FROM OCT-68)	1	OP, ALL		Y
	15	27960-89925	SET-ANTENNA	1	1 OP, ALL		Y
	16	27369-89900	CONDENSER	1	5 OP ALL		

REVISED: DECEMBER, 1971

F28B - 1

Printed in Japan

FIG. 28B B6 NISSAN MOTOR CO., LTD.

S. KEY NO.	PART NO.	PART NAME	QTY.	SALES UNIT	MODEL	ICA
17	27984-89900	CONDENSER (FROM OCT-67)	1	5 OP ALL		N
• 18	60880-10600	MASK-RADIO APERTURE (TO SEP-67)	1	1 ALL		
19	60880-21000	MASK-RADIO APERTURE (TO SEP-67)	1	2 ALL		Y
20	60880-25900	MASK-RADIO APERTURE (FROM OCT-67)	1	1 ALL		N
• 21	27380-14600	SET-CLOCK	1	11 1.6L		
• 22	27380-25900	SET-CLOCK (FROM F/W R-40001 TO SEP-67)	1	1 ALL		Y
• 23	27390-25900	SET-CLOCK (FROM OCT-67 TO SEP-68)	1	1 ALL		N
24	27390-A3200	SET-CLOCK (FROM OCT-68)	1	1 ALL		Y

*Install the best!*  
**GENUINE DATSUN PARTS**



Engineering Department Parts Division



**NISSAN MOTOR CO., LTD.**



Tokyo, Japan