

SECTION **RF**
ROOF

A
B
C
D
E
F
G
H
I
J
RF
L
M
N
O
P

CONTENTS

BASIC INSPECTION	3	BCM (BODY CONTROL MODULE)	9
DIAGNOSIS AND REPAIR WORKFLOW	3	BCM (BODY CONTROL MODULE) : Diagnosis	
Work Flow	3	Procedure	9
INSPECTION AND ADJUSTMENT	4	SUNROOF MOTOR ASSEMBLY	9
ADDITIONAL SERVICE WHEN REMOVING BATTERY NEGATIVE TERMINAL	4	SUNROOF MOTOR ASSEMBLY : Description	9
ADDITIONAL SERVICE WHEN REMOVING BATTERY NEGATIVE TERMINAL : Description	4	SUNROOF MOTOR ASSEMBLY :	
ADDITIONAL SERVICE WHEN REMOVING BATTERY NEGATIVE TERMINAL : Special Repair Requirement	4	Diagnosis Procedure	9
ADDITIONAL SERVICE WHEN REPLACING CONTROL UNIT	4	SUNROOF SWITCH	11
ADDITIONAL SERVICE WHEN REPLACING CONTROL UNIT : Description	4	Description	11
ADDITIONAL SERVICE WHEN REPLACING CONTROL UNIT : Special Repair Requirement	4	Component Function Check	11
FUNCTION DIAGNOSIS	5	Diagnosis Procedure	11
SUNROOF SYSTEM	5	Component Inspection	12
System Diagram	5	DOOR SWITCH	13
System Description	5	Description	13
Component Parts Location	6	Component Function Check	13
Component Description	6	Diagnosis Procedure	13
DIAGNOSIS SYSTEM (BCM)	7	Component Inspection	15
COMMON ITEM	7	ECU DIAGNOSIS	17
COMMON ITEM : CONSULT-III Function (BCM - COMMON ITEM)	7	BCM (BODY CONTROL MODULE)	17
RETAIND PWR	7	Reference Value	17
RETAIND PWR : CONSULT-III Function (BCM - RETAINED PWR)	8	Wiring Diagram - BCM -	32
COMPONENT DIAGNOSIS	9	Fail-safe	36
POWER SUPPLY AND GROUND CIRCUIT	9	DTC Inspection Priority Chart	37
		DTC Index	37
		SUNROOF MOTOR ASSEMBLY	39
		Reference Value	39
		Wiring Diagram— SUNROOF —	40
		SYMPTOM DIAGNOSIS	44
		SUNROOF DOES NOT OPERATE PROPERLY	44
		Diagnosis Procedure	44
		AUTO OPERATION DOES NOT OPERATE	45
		Diagnosis Procedure	45

DOES NOT STOP FULLY-OPEN OR FULLY-CLOSED POSITION	46	PREPARATION	57
Diagnosis Procedure	46	Special Service Tools	57
POWER WINDOW RETAINED POWER OPERATION DOES NOT OPERATE PROPERLY	47	Commercial Service Tool	57
Diagnosis Procedure	47	ON-VEHICLE REPAIR	58
SUNROOF DOES NOT OPERATE ANTI-PINCH FUNCTION	48	SUNROOF	58
Diagnosis Procedure	48	GLASS LID	58
SQUEAK AND RATTLE TROUBLE DIAGNOSES	49	GLASS LID : Exploded View	58
Work Flow	49	GLASS LID : Removal and Installation	58
Inspection Procedure	51	GLASS LID : Adjustment	59
Diagnostic Worksheet	53	SUNROOF MOTOR ASSEMBLY	60
PRECAUTION	55	SUNROOF MOTOR ASSEMBLY : Exploded View	60
PRECAUTIONS	55	SUNROOF MOTOR ASSEMBLY : Removal and Installation	60
FOR MEXICO	55	SUNROOF UNIT ASSEMBLY	61
FOR MEXICO : Precaution for Supplemental Restraint System (SRS) "AIR BAG" and "SEAT BELT PRE-TENSIONER"	55	SUNROOF UNIT ASSEMBLY : Exploded View	61
FOR MEXICO : Service Notice	55	SUNROOF UNIT ASSEMBLY : Removal and Installation	63
FOR MEXICO : Precaution for Work	55	SUNROOF UNIT ASSEMBLY : Disassembly and Assembly	64
FOR USA AND CANADA	55	SUNSHADE	64
FOR USA AND CANADA : Precaution for Supplemental Restraint System (SRS) "AIR BAG" and "SEAT BELT PRE-TENSIONER"	55	SUNSHADE : Exploded View	65
FOR USA AND CANADA : Service Notice	56	SUNSHADE : Removal and Installation	65
FOR USA AND CANADA : Precaution for Work	56	WIND DEFLECTOR	65
PREPARATION	57	WIND DEFLECTOR : Exploded View	66
		WIND DEFLECTOR : Removal and Installation	66
		SUNROOF SWITCH	66
		SUNROOF SWITCH : Exploded View	67
		SUNROOF SWITCH : Removal and Installation	67

DIAGNOSIS AND REPAIR WORKFLOW

< BASIC INSPECTION >

BASIC INSPECTION

DIAGNOSIS AND REPAIR WORKFLOW

Work Flow

INFOID:000000004232655

DETAILED FLOW

1.OBTAIN INFORMATION ABOUT SYMPTOM

Interview the customer to obtain the malfunction information (conditions and environment when the malfunction occurred) as much as possible when the customer brings the vehicles in.

>> GO TO 2.

2.REPRODUCE THE MALFUNCTION INFORMATION

Check the malfunction on the vehicle that the customer describes.
Inspect the relation of the symptoms and the condition when the symptoms occur.

>> GO TO 3.

3.IDENTIFY THE MALFUNCTIONING SYSTEM WITH "SYMPTOM DIAGNOSIS"

Use "Symptom diagnosis" from the symptom inspection result in step 2. Then identify where to start performing the diagnosis based on possible causes and symptom.

>> GO TO 4.

4.IDENTIFY MALFUNCTIONING PARTS WITH "COMPONENT DIAGNOSIS"

Perform the diagnosis with "Component diagnosis" of the applicable system.

>> GO TO 5.

5.REPAIR OR REPLACE THE MALFUNCTIONING PARTS

Repair or replace the specified malfunctioning parts.

>> GO TO 6.

6.FINAL CHECK

Check that malfunctions are not reproduced when obtaining the malfunction information from the customer, referring to the symptom inspection result in step 2.

Are the malfunctions corrected?

YES >> INSPECTION END

NO >> GO TO 2.

A
B
C
D
E
F
G
H
I
J
RF
L
M
N
O
P

INSPECTION AND ADJUSTMENT

< BASIC INSPECTION >

INSPECTION AND ADJUSTMENT

ADDITIONAL SERVICE WHEN REMOVING BATTERY NEGATIVE TERMINAL

ADDITIONAL SERVICE WHEN REMOVING BATTERY NEGATIVE TERMINAL : Description

INFOID:000000004232656

MEMORY RESET PROCEDURE

Initialization of system should be conducted after the following conditions.

- When the sunroof motor is changed.
- When the sunroof does not operate normally. (Incomplete initialization conditions)

ADDITIONAL SERVICE WHEN REMOVING BATTERY NEGATIVE TERMINAL : Special Repair Requirement

INFOID:000000004232657

INTERRUPTION DETECTION FUNCTION

The CPU of sunroof motor monitors the sunroof motor operation and the sunroof position (fully-closed or other) by the signals from sunroof motor.

When sunroof motor detects an interruption during the following sliding close operation, sunroof switch controls the motor for open and the sunroof will operate until full open position.

- automatic close operation when ignition switch is in the ON position.
- automatic close operation during retained power operation.

INITIALIZATION PROCEDURE

If the sunroof does not close or open automatically, use the following procedure to return sunroof operation to normal.

1. Close the sunroof if it is not in the closed position. It may be necessary to repeatedly push the switch to close the sunroof.
2. Press and hold the TILT UP switch the sunroof will tilt up. Release the button.
3. Press and hold the TILT UP switch again. Do not release the switch, keep pressure on it. After 4 seconds of depressing, the sunroof will full close.
4. Initializing procedure is complete. Confirm proper operation of the sunroof (slide open, slide close, tilt up, tilt down.)

ANTI-PINCH FUNCTION

1. Full open the sunroof.
2. Place a piece of wood near fully closed position.
3. Close the sunroof completely with auto-slide close.

Check that sunroof lowers for approximately 210 mm (8.26 in) without pinching a piece of wood and stops.

CAUTION:

- **Check that auto-slide operates before inspection when system initialization is performed.**
- **Depending on environment and driving conditions, if a similar impact or load is applied to the sunroof it may lower.**
- **Do not check with hands and other part of body because they may be pinched. Do not get pinched.**
- **Perform initial setting when auto-slide operation or anti-pinch function does not operate normally.**

ADDITIONAL SERVICE WHEN REPLACING CONTROL UNIT

ADDITIONAL SERVICE WHEN REPLACING CONTROL UNIT : Description

INFOID:000000004232658

Refer to [RF-4, "ADDITIONAL SERVICE WHEN REMOVING BATTERY NEGATIVE TERMINAL : Description"](#).

ADDITIONAL SERVICE WHEN REPLACING CONTROL UNIT : Special Repair Requirement

INFOID:000000004232659

Refer to [RF-4, "ADDITIONAL SERVICE WHEN REMOVING BATTERY NEGATIVE TERMINAL : Special Repair Requirement"](#) for initialization procedure and check anti-pinch function.

SUNROOF SYSTEM

< FUNCTION DIAGNOSIS >

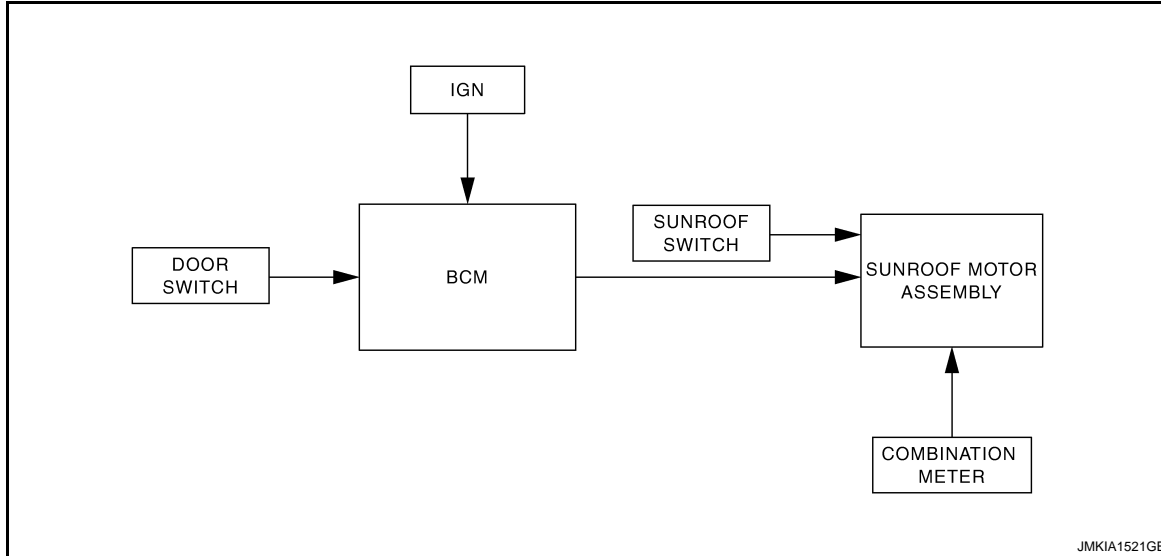
FUNCTION DIAGNOSIS

SUNROOF SYSTEM

System Diagram

INFOID:000000004232660

SUNROOF SYSTEM



System Description

INFOID:000000004232661

SUNROOF SYSTEM

INPUT/OUTPUT SIGNAL CHART

Item	Input signal to sunroof motor assembly	Sunroof motor function	Actuator
Sunroof switch	Sunroof switch signal (tilt down or slide open)	Sunroof control	Sunroof motor
	Sunroof switch signal (tilt up or slide close)		
BCM	Retained power signal		
Combination meter	Vehicle speed signal		

SUNROOF OPERATION

- Sunroof motor assembly operates with the power supply that is output from BCM while ignition switch is ON or retained power is operating.
- Tilt up/down & slide open/close signals from sunroof switch enables operate sunroof motor to move arbitrarily.
- Sunroof motor assembly receives a vehicle speed signal from combination meter and controls the sunroof motor torque of tilt-down at the time of high speed operation.

AUTO OPERATION

Sunroof AUTO feature makes it possible to slide open and slide close or tilt up and tilt down the sunroof without holding the sunroof switch in the slide open/tilt down or slide close/tilt up position.

ANTI-PINCH FUNCTION

The CPU of sunroof motor assembly monitors the sunroof motor operation and the sunroof position (fully-closed or other) by the signals from sunroof motor.

When sunroof motor detects an interruption during the following slide close and tilt down operation, sunroof switch controls the motor for open and the sunroof will operate until full up position (when tilt down operate) or 210 mm (8.26 in) or more in an open direction (when slide close operate):

- Close operation and tilt down when ignition switch is in the "ON" position.

SUNROOF SYSTEM

< FUNCTION DIAGNOSIS >

RETAINED POWER OPERATION

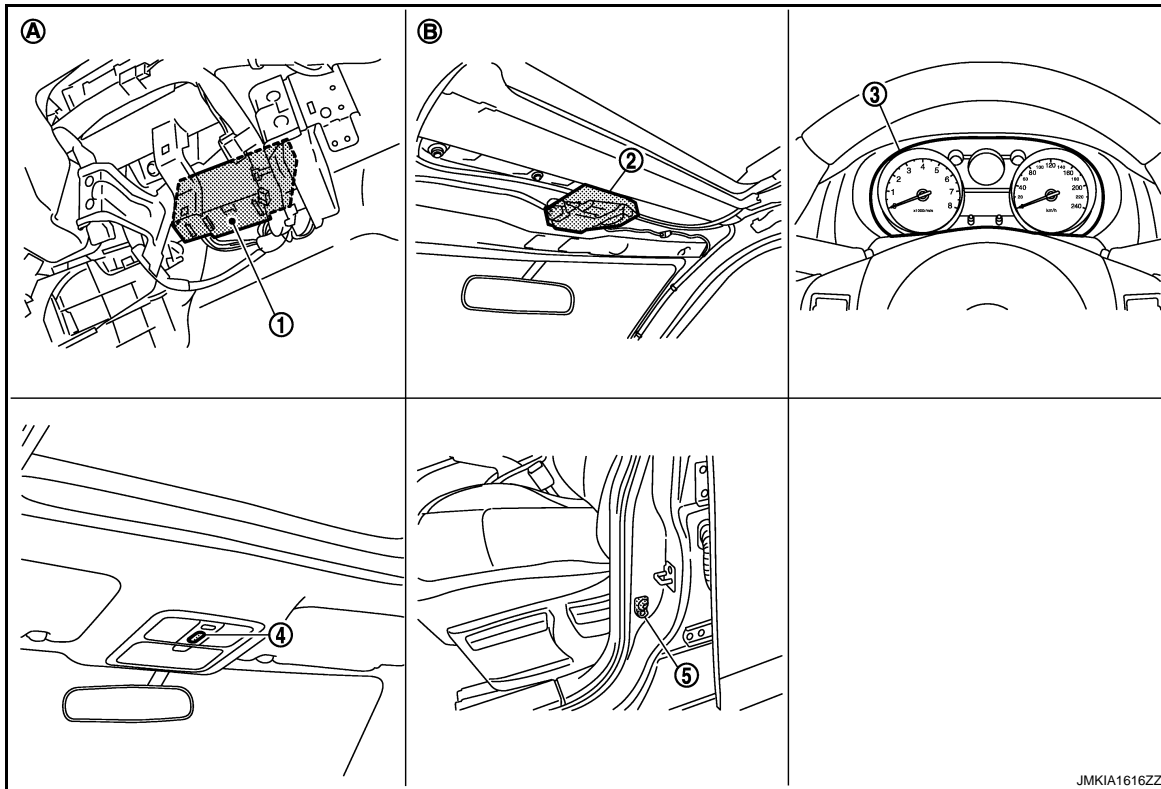
Retained power operation is an additional power supply function that enables sunroof system to operate for 45 seconds when ignition switch is turned OFF.

RETAINED POWER FUNCTION CANCEL CONDITIONS

- Front door CLOSE (door switch OFF) → OPEN (door switch ON).
- When ignition switch is ON again.
- When timer time passes. (45 seconds)

Component Parts Location

INFOID:000000004232662



JMKIA1616ZZ

- | | | |
|-------------------------|------------------------------------------|-----------------------------|
| 1. BCM
M65, M66, M67 | 2. Sunroof motor assembly
R5 | 3. Combination meter
M34 |
| 4. Sunroof switch
R6 | 5. Front door switch(driver side)
B34 | |

A. Over the glove box

B. View with headlining removed

Component Description

INFOID:000000004232663

Component	Function
BCM	<ul style="list-style-type: none"> • Supplies the power supply to sunroof motor assembly. • Controls retained power.
Sunroof switch	Transmits tilt up/down & slides open/close operation signal to sunroof motor assembly.
Sunroof motor assembly	It is sunroof motor and CPU integrated type that enables tilt up/down & slide open/close by sunroof switch operation
Combination meter	Transmits vehicle speed signal to sunroof motor assembly.
Front door switch (driver side)	Detects door open/close condition and transmits to BCM.

DIAGNOSIS SYSTEM (BCM)

< FUNCTION DIAGNOSIS >

DIAGNOSIS SYSTEM (BCM)

COMMON ITEM

COMMON ITEM : CONSULT-III Function (BCM - COMMON ITEM)

INFOID:000000004232664

APPLICATION ITEM

CONSULT-III can display each diagnostic item using the diagnostic test modes shown following.

Diagnosis mode	Function description
ECU Identification	BCM part number is displayed.
Self-Diagnostic Result	Displays the diagnosis results judged by BCM. Refer to BCS-63, "DTC Index" .
Data Monitor	BCM input/output signals are displayed.
Active Test	The signals used to activate each device are forcibly supplied from BCM.
Work Support	Changes the setting for each system function.
Configuration	<ul style="list-style-type: none"> Read and save the vehicle specification. Write the vehicle specification when replacing BCM.
CAN Diag Support Monitor	Monitors the reception status of CAN communication viewed from BCM.

SYSTEM APPLICATION

BCM can perform the following functions for each system.

NOTE:

It can perform the diagnosis modes except the following for all sub system selection items.

x: Applicable item

System	CONSULT-III sub system selection item	Diagnosis mode		
		Work Support	Data Monitor	Active Test
Door lock	DOOR LOCK	x	x	x
Rear window defogger	REAR DEFOGGER		x	x
Warning chime	BUZZER		x	x
Interior room lamp control	INT LAMP	x	x	x
Remote keyless entry system	MULTI REMOTE ENT	x	x	x
Exterior lamp	HEAD LAMP	x	x	x
Wiper and washer	WIPER	x	x	x
Turn signal and hazard warning lamps	FLASHER		x	x
Air conditioner	AIR CONDITONER		x	
Intelligent Key system	INTELLIGENT KEY		x	
Combination switch	COMB SW		x	
—	BCM	x		
Immobilizer	IMMU		x	x
Interior room lamp battery saver	BATTERY SAVER	x	x	x
Back door open	TRUNK		x	x
Vehicle security system	THEFT ALM	x	x	x
RAP system	RETAINED PWR	x	x	x
Signal buffer system	SIGNAL BUFFER		x	x
—	FUEL LID*			
TPMS	TPMS (AIR PRESSURE MONITOR)	x	x	x
Panic alarm system	PANIC ALARM			x

*: This item is displayed, but is not function.

RETAINED PWR

DIAGNOSIS SYSTEM (BCM)

< FUNCTION DIAGNOSIS >

RETAINED PWR : CONSULT-III Function (BCM - RETAINED PWR)

INFOID:000000004232665

Data monitor

Monitor Item	Description
DOOR SW-DR	Indicates [ON/OFF] condition of driver side door switch.
DOOR SW-AS	Indicates [ON/OFF] condition of passenger side door switch.

POWER SUPPLY AND GROUND CIRCUIT

< COMPONENT DIAGNOSIS >

COMPONENT DIAGNOSIS

POWER SUPPLY AND GROUND CIRCUIT

BCM (BODY CONTROL MODULE)

BCM (BODY CONTROL MODULE) : Diagnosis Procedure

INFOID:000000004232666

1. CHECK FUSES AND FUSIBLE LINK

Check that the following fuses and fusible link are not fusing.

Terminal No.	Signal name	Fuses and fusible link No.
57	Battery power supply	10(10A)
70		J(50A)
38	Ignition power supply	1(10A)

Is the fuse fusing?

YES >> Replace the blown fuse or fusible link after repairing the affected circuit if a fuse or fusible link is blown.

NO >> GO TO 2.

2. CHECK POWER SUPPLY CIRCUIT

1. Turn ignition switch OFF.
2. Disconnect BCM connectors.
3. Check voltage between BCM harness connector and ground.

(+)		(-)	Condition	Voltage (Approx.)
BCM				
Connector	Terminal	Ground	Ignition switch OFF	Battery voltage
M67	70			
	57			
M65	38		Ignition switch ON	

Is the measurement value normal?

YES >> GO TO 3.

NO >> Replace harness or connector.

3. CHECK GROUND CIRCUIT

Check continuity between BCM harness connector and ground.

BCM		Ground	Continuity
Connector	Terminal		
M67	67		Existed

Does continuity exist?

YES >> INSPECTION END

NO >> Replace harness or connector.

SUNROOF MOTOR ASSEMBLY

SUNROOF MOTOR ASSEMBLY : Description

INFOID:000000004232667

- BCM supplies power.
- It is sunroof motor and CPU integrated type.
- Tilts up/down & slides open/close by sunroof switch operation.

SUNROOF MOTOR ASSEMBLY : Diagnosis Procedure

INFOID:000000004232668

SUNROOF MOTOR ASSEMBLY

A

B

C

D

E

F

G

H

I

J

RF

L

M

N

O

P

POWER SUPPLY AND GROUND CIRCUIT

< COMPONENT DIAGNOSIS >

1. CHECK POWER SUPPLY CIRCUIT

1. Turn ignition switch OFF.
2. Disconnect sunroof motor assembly connector.
3. Turn ignition switch ON.
4. Check voltage between sunroof motor assembly harness connector and ground.

(+)		(-)	Voltage (V) (Approx.)
Sunroof motor assembly			
Connector	Terminal	Ground	Battery voltage
R5	2		
	4		

Is the inspection result normal?

YES >> GO TO 2.

NO >> GO TO 3.

2. CHECK GROUND CIRCUIT

1. Turn ignition switch OFF.
2. Check continuity between sunroof motor assembly harness connector and ground.

Sunroof motor assembly		Ground	Continuity
Connector	Terminal		
R5	6		Exists

Is the inspection result normal?

YES >> INSPECTION END

NO >> Repair or replace harness.

3. CHECK SUNROOF MOTOR CIRCUIT

1. Turn ignition switch OFF.
2. Disconnect BCM connector.
3. Check continuity between BCM harness connector and sunroof motor assembly harness connector.

BCM		Sunroof motor assembly		Continuity
Connector	Terminal	Connector	Terminal	
M67	68	R5	4	Exists
	69		2	

4. Check continuity between BCM harness connector and ground.

BCM		Ground	Continuity
Connector	Terminal		
M67	68		Not exist
	69		

Is the inspection result normal?

YES >> Replace BCM. Refer to [BCS-67. "Removal and Installation"](#).

NO >> Repair or replace harness.

SUNROOF SWITCH

< COMPONENT DIAGNOSIS >

SUNROOF SWITCH

Description

INFOID:000000004232669

Tilts up/down & slides open/close by sunroof switch operation.

Component Function Check

INFOID:000000004232670

1.CHECK SUNROOF MOTOR OPERATION

Check tilt up/down & slide open/close operations with sunroof switch.

Is the inspection result normal?

- YES >> Sunroof switch is OK.
NO >> Refer to [RF-11, "Diagnosis Procedure"](#).

Diagnosis Procedure

INFOID:000000004232671

SUNROOF SWITCH

1.CHECK SUNROOF SWITCH POWER SUPPLY CIRCUIT

1. Turn ignition switch OFF.
2. Disconnect sunroof switch connector.
3. Turn ignition switch ON.
4. Check voltage between sunroof switch harness connector and ground.

(+)		(-)	Voltage (V) (Approx.)
Sunroof switch			
Connector	Terminal	Ground	Battery voltage
R6	1		
	3		

Is the inspection result normal?

- YES >> GO TO 2.
NO >> GO TO 4.

2.CHECK GROUND CIRCUIT

1. Turn ignition switch OFF.
2. Check continuity between sunroof switch harness connector and ground.

Sunroof switch		Ground	Continuity
Connector	Terminal		
R6	2		

Is the inspection result normal?

- YES >> GO TO 3.
NO >> Repair or replace harness.

3.CHECK SUNROOF SWITCH

Check sunroof switch.

Refer to [RF-12, "Component Inspection"](#).

Is the inspection result normal?

- YES >> GO TO 5.
NO >> Replace sunroof switch. Refer to [RF-67, "SUNROOF SWITCH : Removal and Installation"](#).

4.CHECK SUNROOF SWITCH CIRCUIT

1. Turn ignition switch OFF.
2. Disconnect sunroof motor assembly connector.
3. Check continuity between sunroof switch assembly and sunroof switch harness connectors.

SUNROOF SWITCH

< COMPONENT DIAGNOSIS >

Sunroof switch		Sunroof motor assembly		Continuity
Connector	Terminal	Connector	Terminal	
R6	1	R5	5	Exist
	3		1	

4. Check continuity between sunroof switch assembly harness connector and ground.

Sunroof motor assembly		Ground	Continuity
Connector	Terminal		
R5	5		Not exist
	1		

Is the inspection result normal?

YES >> Replace sunroof motor assembly. [RF-60, "SUNROOF MOTOR ASSEMBLY : Removal and Installation"](#)

NO >> Repair or replace harness.

5.CHECK INTERMITTENT INCIDENT

Refer to [GI-41, "Intermittent Incident"](#).

>> INSPECTION END

Component Inspection

INFOID:000000004232672

SUNROOF SWITCH

1.CHECK SUNROOF SWITCH

1. Turn ignition switch OFF.
2. Disconnect sunroof switch connector.
3. Check continuity sunroof switch terminals.

Terminals	Condition	Continuity
1	Sunroof switch is operated TILT DOWN or SLIDE OPEN	Exists
	Other than above	Not exist
3	Sunroof switch is operated TILT UP or SLIDE CLOSE	Exists
	Other than above	Not exist

Is the inspection result normal?

YES >> INSPECTION END

NO >> Replace sunroof switch (built in map lamp assembly). Refer to [RF-67, "SUNROOF SWITCH : Removal and Installation"](#).

DOOR SWITCH

< COMPONENT DIAGNOSIS >

DOOR SWITCH

Description

INFOID:000000004232673

Detects door open/closed condition.

Component Function Check

INFOID:000000004232674

1.CHECK FUNCTION

With CONSULT-III

Check door switches ("DOOR SW-DR", "DOOR SW-AS", "DOOR SW-RL", "DOOR SW-RR", "BACK DOOR SW") in "Data Monitor" mode with CONSULT-III.

Monitor item	Door condition	Display
DOOR SW-DR	CLOSE → OPEN	OFF → ON
DOOR SW-AS		
DOOR SW-RL		
DOOR SW-RR		
BACK DOOR		

Is the inspection result normal?

YES >> Door switch is OK.

NO >> Refer to [RF-13. "Diagnosis Procedure"](#).

Diagnosis Procedure

INFOID:000000004232675

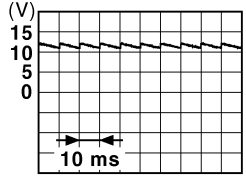
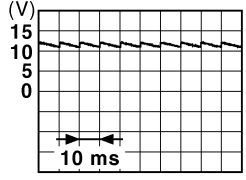
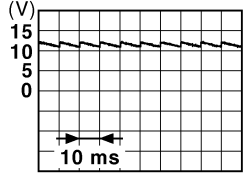
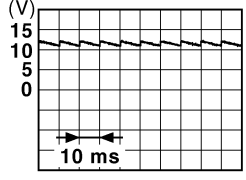
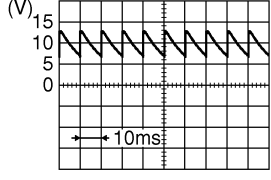
1.CHECK DOOR SWITCH INPUT SIGNAL

1. Turn ignition switch OFF.
2. Disconnect door switch connectors.
3. Check signal between door switch harness connector and ground with oscilloscope.

RF

DOOR SWITCH

< COMPONENT DIAGNOSIS >

Door switch			(-)	Voltage (V) (Approx.)
(+)		Terminal		
connector				
Front door switch (passenger side)	B27	2	Ground	 <p style="text-align: right; font-size: small;">JPMA0011GB</p>
Front door switch (driver side)	B34	2		 <p style="text-align: right; font-size: small;">JPMA0011GB</p>
Rear door switch RH	B53	2		 <p style="text-align: right; font-size: small;">JPMA0011GB</p>
Rear door switch LH	B71	2		 <p style="text-align: right; font-size: small;">JPMA0011GB</p>
Back door lock assembly (back door switch)	D190	3		 <p style="text-align: right; font-size: small;">JPMA0593GB</p>

Is the inspection result normal?

YES >> • Back door switch : GO TO 3.
 • Door switch : GO TO 4.

NO >> GO TO 2.

2. CHECK DOOR SWITCH CIRCUIT

1. Disconnect BCM connectors.
2. Check continuity between BCM harness connector and door switch harness connector.

DOOR SWITCH

< COMPONENT DIAGNOSIS >

BCM		Door switch		Continuity
connector	Terminal	connector	Terminal	
M65	12	B27	2	Exists
	13	B53		
M66	43	D190	3	
	47	B34	2	
	48	B71		

3. Check continuity between BCM harness connector and ground.

BCM connector	Terminal	Ground	Continuity
M65	12		Ground
	13		
M66	43		
	47		
	48		

Is the inspection result normal?

YES >> Replace BCM. Refer to [BCS-67, "Exploded View"](#).

NO >> Repair or replace harness.

3.CHECK BACK DOOR GROUND CIRCUIT

Check continuity between back door lock assembly harness connector and ground.

Back door lock assembly		Ground	Continuity
connector	Terminal		
D190	4		Exist

Is the inspection result normal?

YES >> GO TO 4.

NO >> Repair or replace harness.

4.CHECK DOOR SWITCH

Check door switch.

Refer to [RF-15, "Component Inspection"](#).

Is the inspection result normal?

YES >> GO TO 5.

NO >> Replace door switch. Refer to [DLK-263, "Removal and Installation"](#).

5.CHECK INTERMITTENT INCIDENT

Refer to [GI-41, "Intermittent Incident"](#).

>> INSPECTION END

Component Inspection

INFOID:000000004232676

1.CHECK DOOR SWITCH

1. Turn ignition switch OFF.
2. Disconnect door switch connector.
3. Check door switch .

Terminal	Condition	Continuity
Each door	Door switch pressed	Exists
	Door switch released	Does not exist

DOOR SWITCH

< COMPONENT DIAGNOSIS >

Terminal			Condition	Continuity
Back door	3	4	Back door open	Exists
			Back door close	Does not exist

Is the inspection result normal?

YES >> INSPECTION END

NO >> Replace door switch . Refer to [DLK-263. "Removal and Installation"](#).

BCM (BODY CONTROL MODULE)

< ECU DIAGNOSIS >

ECU DIAGNOSIS

BCM (BODY CONTROL MODULE)

Reference Value

INFOID:000000004534167

VALUES ON THE DIAGNOSIS TOOL

Monitor Item	Condition	Value/Status
IGN ON SW	Ignition switch OFF or ACC	Off
	Ignition switch ON	On
KEY ON SW	Mechanical key is removed from key cylinder	Off
	Mechanical key is inserted to key cylinder	On
CDL LOCK SW	Door lock/unlock switch does not operate	Off
	Press door lock/unlock switch to the lock side	On
CDL UNLOCK SW	Door lock/unlock switch does not operate	Off
	Press door lock/unlock switch to the unlock side	On
DOOR SW-DR	Driver's door closed	Off
	Driver's door opened	On
DOOR SW-AS	Passenger door closed	Off
	Passenger door opened	On
DOOR SW-RR	Rear RH door closed	Off
	Rear RH door opened	On
DOOR SW-RL	Rear LH door closed	Off
	Rear LH door opened	On
BACK DOOR SW	Back door closed	Off
	Back door opened	On
KEY CYL LK-SW	Other than driver door key cylinder LOCK position	Off
	Driver door key cylinder LOCK position	On
KEY CYL UN-SW	Other than driver door key cylinder UNLOCK position	Off
	Driver door key cylinder UNLOCK position	On
KEYLESS LOCK	"LOCK" button of key fob is not pressed	Off
	"LOCK" button of key fob is pressed	On
KEYLESS UNLOCK	"UNLOCK" button of key fob is not pressed	Off
	"UNLOCK" button of key fob is pressed	On
I-KEY LOCK	"LOCK" button of Intelligent Key or door request switch are not pressed	Off
	"LOCK" button of Intelligent Key or door request switch are pressed	On
I-KEY UNLOCK	"UNLOCK" button of Intelligent Key or door request switch are not pressed	Off
	"UNLOCK" button of Intelligent Key or door request switch are pressed	On
ACC ON SW	Ignition switch OFF	Off
	Ignition switch ACC or ON	On
REAR DEF SW	Rear window defogger switch OFF	Off
	Rear window defogger switch ON	On
LIGHT SW 1ST	Lighting switch OFF	Off
	Lighting switch 1ST	On

A
B
C
D
E
F
G
H
I
J
L
M
N
O
P

RF

BCM (BODY CONTROL MODULE)

< ECU DIAGNOSIS >

Monitor Item	Condition	Value/Status
BUCKLE SW	The seat belt (driver side) is unfastened. [Seat belt switch (driver side) OFF]	Off
	The seat belt (driver side) is fastened. [Seat belt switch (driver side) ON]	On
KEYLESS PANIC	PANIC button of key fob is not pressed	Off
	PANIC button of key fob is pressed	On
KEYLESS TRUNK	NOTE: The item is indicated, but not monitored.	Off
TRNK OPN MNTR	NOTE: The item is indicated, but not monitored.	Off
RKE LCK-UNLCK	LOCK/UNLOCK button of key fob is not pressed and held simultaneously	Off
	LOCK/UNLOCK button of key fob is pressed and held simultaneously	On
RKE KEEP UNLK	UNLOCK button of key fob is not pressed	Off
	UNLOCK button of key fob is pressed and held	On
HI BEAM SW	Lighting switch OFF	Off
	Lighting switch HI	On
HEAD LAMP SW 1	Lighting switch OFF	Off
	Lighting switch 2ND	On
HEAD LAMP SW 2	Lighting switch OFF	Off
	Lighting switch 2ND	On
AUTO LIGHT SW	NOTE: The item is indicated, but not monitored.	Off
PASSING SW	Other than lighting switch PASS	Off
	Lighting switch PASS	On
FR FOG SW	Front fog lamp switch OFF	Off
	Front fog lamp switch ON	On
RR FOG SW	NOTE: The item is indicated, but not monitored.	Off
TURN SIGNAL R	Turn signal switch OFF	Off
	Turn signal switch RH	On
TURN SIGNAL L	Turn signal switch OFF	Off
	Turn signal switch LH	On
ENGINE RUN	Engine stopped	Off
	Engine running	On
PKB SW	Parking brake switch is OFF	Off
	Parking brake switch is ON	On
CARGO LAMP SW	NOTE: The item is indicated, but not monitored.	Off
OPTICAL SENSOR	NOTE: The item is indicated, but not monitored.	0 V
IGN SW CAN	Ignition switch OFF or ACC	Off
	Ignition switch ON	On
FR WIPER HI	Front wiper switch OFF	Off
	Front wiper switch HI	On
FR WIPER LOW	Front wiper switch OFF	Off
	Front wiper switch LO	On

BCM (BODY CONTROL MODULE)

< ECU DIAGNOSIS >

Monitor Item	Condition	Value/Status	
FR WIPER INT	Front wiper switch OFF	Off	A
	Front wiper switch INT	On	
FR WASHER SW	Front washer switch OFF	Off	B
	Front washer switch ON	On	
INT VOLUME	Wiper intermittent dial is in a dial position 1 - 7	1 - 7	
FR WIPER STOP	Any position other than front wiper stop position	Off	C
	Front wiper stop position	On	
VEHICLE SPEED	While driving	Equivalent to speedometer reading	D
RR WIPER ON	Rear wiper switch OFF	Off	
	Rear wiper switch ON	On	
RR WIPER INT	Rear wiper switch OFF	Off	E
	Rear wiper switch INT	On	
RR WASHER SW	Rear washer switch OFF	Off	F
	Rear washer switch ON	On	
RR WIPER STOP	Rear wiper stop position	Off	
	Other than rear wiper stop position	On	G
RR WIPER STP2	NOTE: The item is indicated, but not monitored.	Off	
H/L WASH SW	NOTE: The item is indicated, but not monitored.	Off	H
HAZARD SW	Hazard switch OFF	Off	
	Hazard switch ON	On	I
BRAKE SW	Brake pedal is not depressed	Off	
	Brake pedal is depressed	On	J
FAN ON SIG	Blower fan motor switch OFF	Off	
	Blower fan motor switch ON (other than OFF)	On	
AIR COND SW	Compressor ON is not requested from auto amp. (A/C indicator OFF, blower fan motor switch OFF or etc.)	Off	RF
	Compressor ON is requested from auto amp. (A/C indicator ON and blower fan motor switch ON).	On	L
I-KEY TRUNK	NOTE: The item is indicated, but not monitored.	Off	
I-KEY PW DWN	UNLOCK button of Intelligent Key is not pressed	Off	M
	UNLOCK button of Intelligent Key is pressed and held	On	
I-KEY PANIC	PANIC button of Intelligent Key is not pressed	Off	
	PANIC button of Intelligent Key is pressed	On	N
PUSH SW	Return to ignition switch to "LOCK" position	Off	
	Press ignition switch	On	O
TRNK OPNR SW	When back door opener switch is not pressed	Off	
	When back door opener switch is pressed	On	
TRUNK CYL SW	NOTE: The item is indicated, but not monitored.	Off	P
HOOD SW	Close the hood	Off	
	NOTE: Vehicles of except for Mexico are OFF-fixed Open the hood	On	

BCM (BODY CONTROL MODULE)

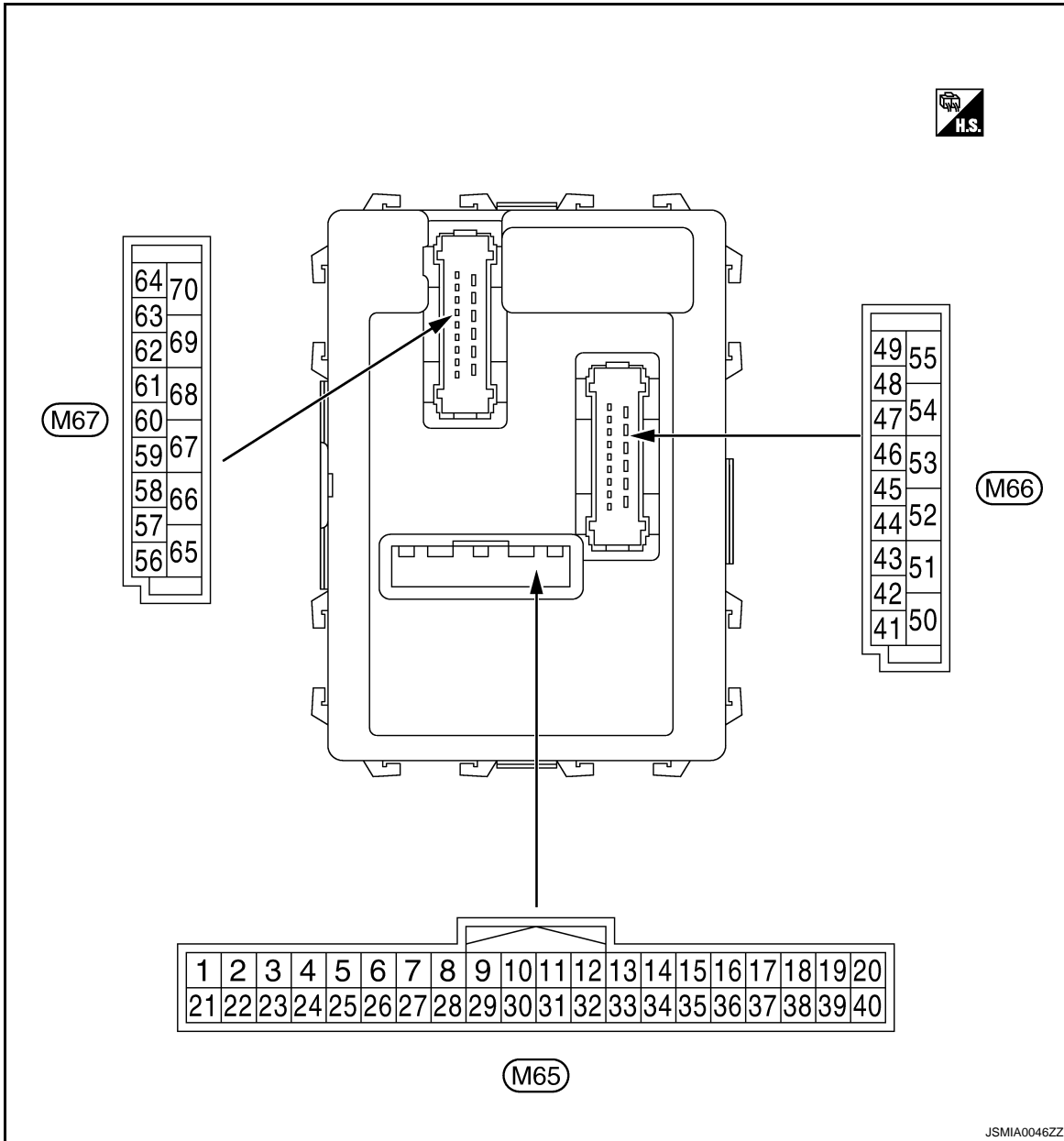
< ECU DIAGNOSIS >

Monitor Item	Condition	Value/Status
OIL PRESS SW	<ul style="list-style-type: none"> • Ignition switch OFF or ACC • Engine running 	Off
	Ignition switch ON	On
AIR PRESS FL	Ignition switch ON (Only when the signal from the transmitter is received)	Air pressure of front LH tire
AIR PRESS FR	Ignition switch ON (Only when the signal from the transmitter is received)	Air pressure of front RH tire
AIR PRESS RR	Ignition switch ON (Only when the signal from the transmitter is received)	Air pressure of rear RH tire
AIR PRESS RL	Ignition switch ON (Only when the signal from the transmitter is received)	Air pressure of rear LH tire
ID REGST FL1	ID of front LH tire transmitter is registered	Done
	ID of front LH tire transmitter is not registered	Yet
ID REGST FR1	ID of front RH tire transmitter is registered	Done
	ID of front RH tire transmitter is not registered	Yet
ID REGST RR1	ID of rear RH tire transmitter is registered	Done
	ID of rear RH tire transmitter is not registered	Yet
ID REGST RL1	ID of rear LH tire transmitter is registered	Done
	ID of rear LH tire transmitter is not registered	Yet
WARNING LAMP	Tire pressure indicator OFF	Off
	Tire pressure indicator ON	On
BUZZER	Tire pressure warning alarm is not sounding	Off
	Tire pressure warning alarm is sounding	On

BCM (BODY CONTROL MODULE)

< ECU DIAGNOSIS >

TERMINAL LAYOUT



PHYSICAL VALUES

CAUTION:

- Check combination switch system terminal waveform under the loaded condition with lighting switch, turn signal switch and wiper switch OFF is not to be fluctuated by being overloaded.
- Turn wiper intermittent dial position to 4 except when checking waveform or voltage of wiper intermittent dial position. Wiper intermittent dial position can be confirmed on CONSULT-III. Refer to [BCS-27, "COMB SW : CONSULT-III Function \(BCM - COMB SW\)"](#).
- BCM reads the status of the combination switch at 10 ms internal normally. Refer to [BCS-9, "System Diagram"](#).

Terminal No. (Wire color)		Description		Condition		Value (Approx.)
+	-	Signal name	Input/ Output	Ignition key hole illumination	OFF	Battery voltage
1 (V)	Ground	Ignition key hole illumination control	Output		ON	

BCM (BODY CONTROL MODULE)

< ECU DIAGNOSIS >

Terminal No. (Wire color)		Description		Condition	Value (Approx.)	
+	-	Signal name	Input/ Output			
2 (G)	Ground	Combination switch INPUT 5	Input	Combination switch (Wiper intermit- tent dial 4)	All switch OFF	0 V
					Turn signal switch RH	
					Lighting switch HI	
					Lighting switch 1ST	
					Lighting switch 2ND	
3 (Y)	Ground	Combination switch INPUT 4	Input	Combination switch (Wiper intermit- tent dial 4)	All switch OFF	0 V
					Turn signal switch LH	
					Lighting switch PASS	
					Lighting switch 2ND	
					Front fog lamp switch ON	
4 (W)	Ground	Combination switch INPUT 3	Input	Combination switch (Wiper intermit- tent dial 4)	All switch OFF	0 V
					Front wiper switch LO	
					Front wiper switch MIST	
					Front wiper switch INT	

BCM (BODY CONTROL MODULE)

< ECU DIAGNOSIS >

Terminal No. (Wire color)		Description		Condition	Value (Approx.)			
+	-	Signal name	Input/ Output					
5 (R)	Ground	Combination switch INPUT 2	Input	Combination switch	All switch OFF (Wiper intermittent dial 4)	0 V	A	
					Front washer switch (Wiper intermittent dial 4)		B	
					Rear washer ON (Wiper intermittent dial 4)		C	
					Any of the condition below with all switch OFF <ul style="list-style-type: none"> • Wiper intermittent dial 1 • Wiper intermittent dial 5 • Wiper intermittent dial 6 		1.0 V	D
					Rear wiper switch ON (Wiper intermittent dial 4)		0.8 V	E
6 (P)	Ground	Combination switch INPUT 1	Input	Combination switch	All switch OFF (Wiper intermittent dial 4)	0 V	F	
					Front wiper switch HI (Wiper intermittent dial 4)		G	
					Rear wiper switch INT (Wiper intermittent dial 4)		H	
					Wiper intermittent dial 3 (All switch OFF)		1.0 V	I
					Any of the condition below with all switch OFF <ul style="list-style-type: none"> • Wiper intermittent dial 6 • Wiper intermittent dial 7 		0.8 V	RF

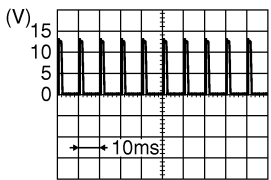
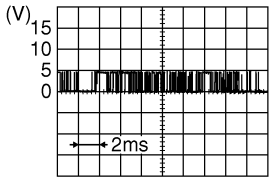
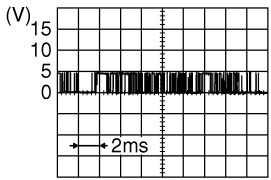
BCM (BODY CONTROL MODULE)

< ECU DIAGNOSIS >

Terminal No. (Wire color)		Description		Condition	Value (Approx.)
+	-	Signal name	Input/ Output		
7 (L)	Ground	Door key cylinder switch UNLOCK signal	Input	Door key cylinder switch	NEUTRAL position 8.0 - 8.5 V
					UNLOCK position 0 V
8 (R)	Ground	Door key cylinder switch LOCK signal	Input	Door key cylinder switch	NEUTRAL position 8.0 - 8.5 V
					LOCK position 0 V
9 (R)	Ground	Stop lamp switch	Input	Stop lamp switch	OFF (Brake pedal is not depressed) 0 V
					ON (Brake pedal is de- pressed) Battery voltage
10 (SB)	Ground	Rear window defog- ger switch	Input	Rear window defogger switch	Not pressed Battery voltage
					Pressed 0 V
11 (SB)	Ground	Ignition switch ACC	Input	Ignition switch OFF 0 V	
					Ignition switch ACC or ON Battery voltage
12 (P)	Ground	Passenger door switch	Input	Passenger door switch	OFF (When passenger door closed) 7.5 - 8.0 V
					ON (When passenger door opened) 0 V
13 (LG)	Ground	Rear door switch RH	Input	Rear door switch RH	OFF (When rear door RH closed) 8.0 - 8.5 V
					ON (When rear door RH opened) 0 V

BCM (BODY CONTROL MODULE)

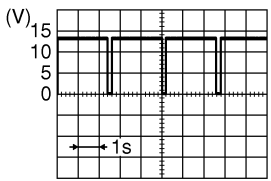
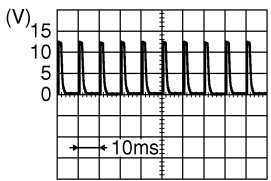
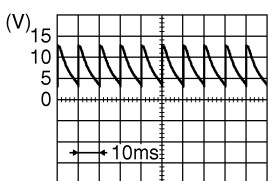
< ECU DIAGNOSIS >

Terminal No. (Wire color)		Description		Condition	Value (Approx.)	
		Signal name	Input/ Output			
+	-					
15* (O)	Ground	Tire pressure warning check switch	Input	Ignition switch OFF	 <p style="text-align: right; font-size: small;">JPMAI0588GB</p> <p style="text-align: center;">1.5 V</p>	
18* (O)	Ground	Remote keyless entry receiver ground	Input	Ignition switch ON	0 V	
19* (V)	Ground	Remote keyless entry receiver power supply	Input	Without Intelligent Key system	At any condition	5 V
				With Intelligent Key system	• Ignition switch OFF • For 3 seconds after ignition switch OFF to ON	0 V
					3 seconds or later after ignition switch OFF to ON	5 V
20* (GR)	Ground	Remote keyless entry receiver signal	Input	Without Intelligent Key system	At any condition	 <p style="text-align: right; font-size: small;">JPMAI0589GB</p> <p>NOTE: The wave form changes according to signal-receiving condition.</p>
				With Intelligent Key system	• Ignition switch OFF • For 3 seconds after ignition switch OFF to ON	0 V
					3 seconds or later after ignition switch OFF to ON	 <p style="text-align: right; font-size: small;">JPMAI0589GB</p> <p>NOTE: The wave form changes according to signal-receiving condition.</p>
21 (G)	Ground	Immobilizer antenna signal (Clock)	Input/ Output	Ignition switch OFF	Battery voltage	

A
B
C
D
E
F
G
H
I
J
RF
L
M
N
O
P

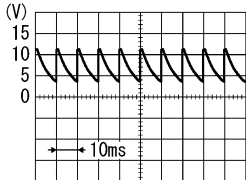
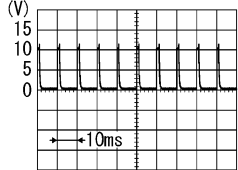
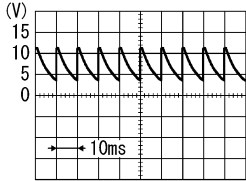
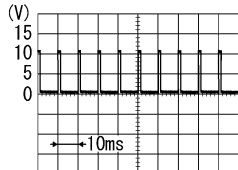
BCM (BODY CONTROL MODULE)

< ECU DIAGNOSIS >

Terminal No. (Wire color)		Description		Condition		Value (Approx.)
+	-	Signal name	Input/ Output			
23 (B)	Ground	Security indicator signal	Input	Security indica- tor	ON	0 V
					Blinking (Ignition switch OFF)	 <p style="text-align: right; font-size: small;">JPMIA0590GB</p>
					OFF	Battery voltage
25 (BR)	Ground	Immobilizer anten- na signal (Rx, Tx)	Input/ Output	Ignition switch OFF		Battery voltage
27 (Y)	Ground	A/C switch	Input	Ignition switch ON	A/C switch OFF	 <p style="text-align: right; font-size: small;">JPMIA0591GB</p>
					A/C switch ON	0 V
28 (LG)	Ground	Blower fan switch	Input	Ignition switch ON	Blower fan switch OFF	 <p style="text-align: right; font-size: small;">JPMIA0592GB</p>
					Blower fan switch ON	0 V
29 (W)	Ground	Hazard switch	Input	Hazard switch	OFF	Battery voltage
					ON	0 V
30 (G)	Ground	Back door opener switch	Input	Back door opener switch	Not pressed	Battery voltage
					Pressed	0 V

BCM (BODY CONTROL MODULE)

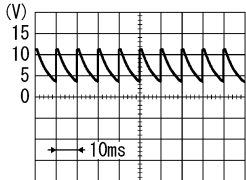
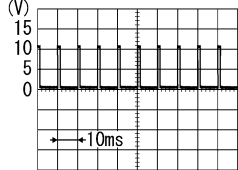
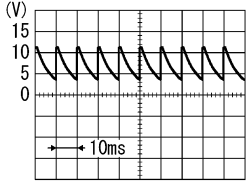
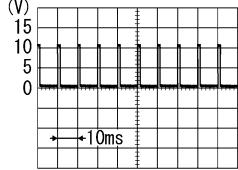
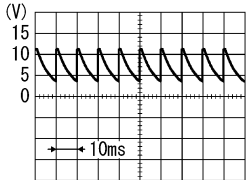
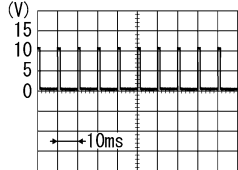
< ECU DIAGNOSIS >

Terminal No. (Wire color)		Description		Condition	Value (Approx.)	
		Signal name	Input/ Output			
+	-					
32 (BR)	Ground	Combination switch OUTPUT 5	Output	Combination switch	All switch OFF (Wiper intermittent dial 4)	 <p style="text-align: right; font-size: small;">PKIB4960J</p> <p style="text-align: center;">7.2 V</p>
					Front fog lamp switch ON (Wiper intermittent dial 4)	 <p style="text-align: right; font-size: small;">PKIB4956J</p> <p style="text-align: center;">1.0 V</p>
					Rear wiper switch ON (Wiper intermittent dial 4)	
					Any of the condition below with all switch OFF	
33 (GR)	Ground	Combination switch OUTPUT 4	Output	Combination switch	All switch OFF (Wiper intermittent dial 4)	 <p style="text-align: right; font-size: small;">PKIB4960J</p> <p style="text-align: center;">7.2 V</p>
					Lighting switch 1ST (Wiper intermittent dial 4)	 <p style="text-align: right; font-size: small;">PKIB4958J</p> <p style="text-align: center;">1.2 V</p>
					Rear wiper switch INT (Wiper intermittent dial 4)	
					Any of the condition below with all switch OFF	

A
B
C
D
E
F
G
H
I
J
RF
L
M
N
O
P

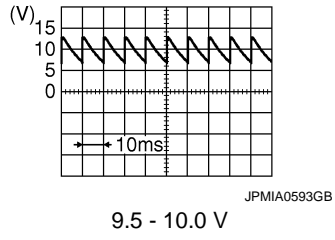
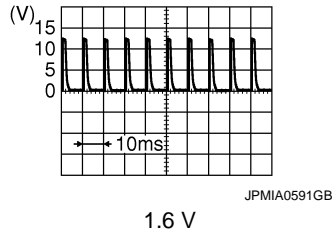
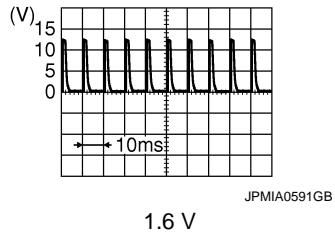
BCM (BODY CONTROL MODULE)

< ECU DIAGNOSIS >

Terminal No. (Wire color)		Description		Condition	Value (Approx.)	
+	-	Signal name	Input/ Output			
34 (L)	Ground	Combination switch OUTPUT 3	Output	Combination switch	All switch OFF (Wiper intermittent dial 4)	 <p style="text-align: right; font-size: small;">PKIB4960J</p> <p style="text-align: center;">7.2 V</p>
					Lighting switch 2ND (Wiper intermittent dial 4)	 <p style="text-align: right; font-size: small;">PKIB4958J</p> <p style="text-align: center;">1.2 V</p>
					Lighting switch HI (Wiper intermittent dial 4)	
					Rear washer switch ON (Wiper intermittent dial 4)	
Any of the condition below with all switch OFF <ul style="list-style-type: none"> • Wiper intermittent dial 1 • Wiper intermittent dial 2 • Wiper intermittent dial 3 						
35 (B)	Ground	Combination switch OUTPUT 2	Output	Combination switch (Wiper intermit- tent dial 4)	All switch OFF	 <p style="text-align: right; font-size: small;">PKIB4960J</p> <p style="text-align: center;">7.2 V</p>
					Lighting switch 2ND	 <p style="text-align: right; font-size: small;">PKIB4958J</p> <p style="text-align: center;">1.2 V</p>
					Lighting switch PASS	
					Front wiper switch INT	
Front wiper switch HI						
36 (V)	Ground	Combination switch OUTPUT 1	Output	Combination switch (Wiper intermit- tent dial 4)	All switch OFF	 <p style="text-align: right; font-size: small;">PKIB4960J</p> <p style="text-align: center;">7.2 V</p>
					Turn signal switch RH	 <p style="text-align: right; font-size: small;">PKIB4958J</p> <p style="text-align: center;">1.2 V</p>
					Turn signal switch LH	
					Front wiper switch LO (Front wiper switch MIST)	
Front washer switch ON						

BCM (BODY CONTROL MODULE)

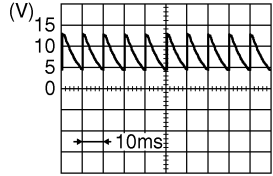
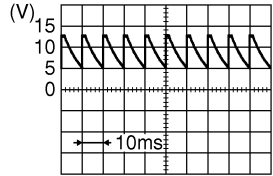
< ECU DIAGNOSIS >

Terminal No. (Wire color)		Description		Condition	Value (Approx.)
		Signal name	Input/ Output		
+	-				
37 (LG)	Ground	Key switch	Input	Insert mechanical key into ignition key cylinder	Battery voltage
				Remove mechanical key from ignition key cylinder	0 V
38 (G)	Ground	Ignition switch ON	Input	Ignition switch OFF or ACC	0 V
				Ignition switch ON or START	Battery voltage
39 (L)	Ground	CAN-H	Input/ Output	—	—
40 (P)	Ground	CAN-L	Input/ Output	—	—
43 (V)	Ground	Back door switch	Input	Back door switch OFF (When back door closed)	 9.5 - 10.0 V
				ON (When back door opened)	0 V
44 (B)	Ground	Rear wiper auto stop	Input	Ignition switch ON	Rear wiper stop position
				Any position other than rear wiper stop position	Battery voltage
45 (P)	Ground	Door lock and unlock switch LOCK signal	Input	Door lock and unlock switch NEUTRAL position	 1.6 V
				LOCK position	0 V
46 (BR)	Ground	Door lock and unlock switch UNLOCK signal	Input	Door lock and unlock switch NEUTRAL position	 1.6 V
				UNLOCK position	0 V

A
B
C
D
E
F
G
H
I
J
RF
L
M
N
O
P

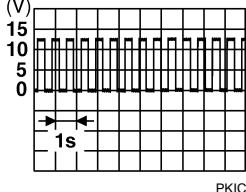
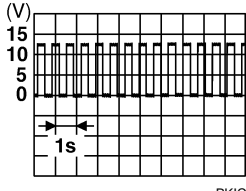
BCM (BODY CONTROL MODULE)

< ECU DIAGNOSIS >

Terminal No. (Wire color)		Description		Condition		Value (Approx.)
+	-	Signal name	Input/ Output			
47 (W)	Ground	Driver door switch	Input	Driver door switch	OFF (When driver door closed)	 8.0 - 8.5 V
					ON (When driver door opened)	0 V
48 (GR)	Ground	Rear door switch LH	Input	Rear door switch LH	OFF (When rear door LH closed)	 8.5 - 9.0 V
					ON (When rear door LH opened)	0 V
49 (L)	Ground	Back door lamp control	Output	Back door lamp switch DOOR position	Back door is closed (Back door lamp turns OFF)	Battery voltage
					Back door is opened (Back door lamp turns ON)	0 V
53 (V)	Ground	Back door open	Output	Back door opener switch	Not pressed (Back door actuator is activated)	0 V
					Pressed (Back door actuator is activated)	Battery voltage
55 (SB)	Ground	Rear wiper motor	Output	Ignition switch ON	Rear wiper switch OFF	0 V
					Rear wiper switch ON	Battery voltage
56 (Y)	Ground	Interior room lamp power supply	Output	Ignition switch OFF	After passing the interior room lamp battery saver operation time	0 V
					Any other time after passing the interior room lamp battery saver operation time	Battery voltage
57 (G)	Ground	Battery power supply	Input	Ignition switch OFF	Battery voltage	
59 (L)	Ground	Driver door UN-LOCK	Output	Driver door	UNLOCK (Actuator is activated)	Battery voltage
					Other than UNLOCK (Actuator is not activated)	0 V

BCM (BODY CONTROL MODULE)

< ECU DIAGNOSIS >

Terminal No. (Wire color)		Description		Condition	Value (Approx.)	
+	-	Signal name	Input/ Output			
60 (BR)	Ground	Turn signal LH	Output	Ignition switch OFF	0 V	
				Ignition switch ON	Turn signal switch LH	 6.0 V
61 (GR)	Ground	Turn signal RH	Output	Ignition switch OFF	0 V	
				Ignition switch ON	Turn signal switch RH	 6.0 V
63 (R)	Ground	Interior room lamp timer control	Output	Interior room lamp	OFF	Battery voltage
				ON	0 V	
65 (V)	Ground	All doors LOCK	Output	All doors	LOCK (Actuator is activated)	Battery voltage
				Other then LOCK (Actuator is not activated)	0 V	
66 (G)	Ground	Passenger door and rear door UNLOCK	Output	Passenger door and rear door	UNLOCK (Actuator is activated)	Battery voltage
					Other then UNLOCK (Actuator is not activated)	0 V
67 (B)	Ground	Ground	Output	Ignition switch ON	0 V	
68 (L)	Ground	P/W power supply (RAP)	Output	Ignition switch ON	Battery voltage	
69 (P)	Ground	P/W power supply (BAT)	Output	Ignition switch OFF	Battery voltage	
70 (Y)	Ground	Battery power supply	Input	Ignition switch OFF	Battery voltage	

*: Except for Mexico

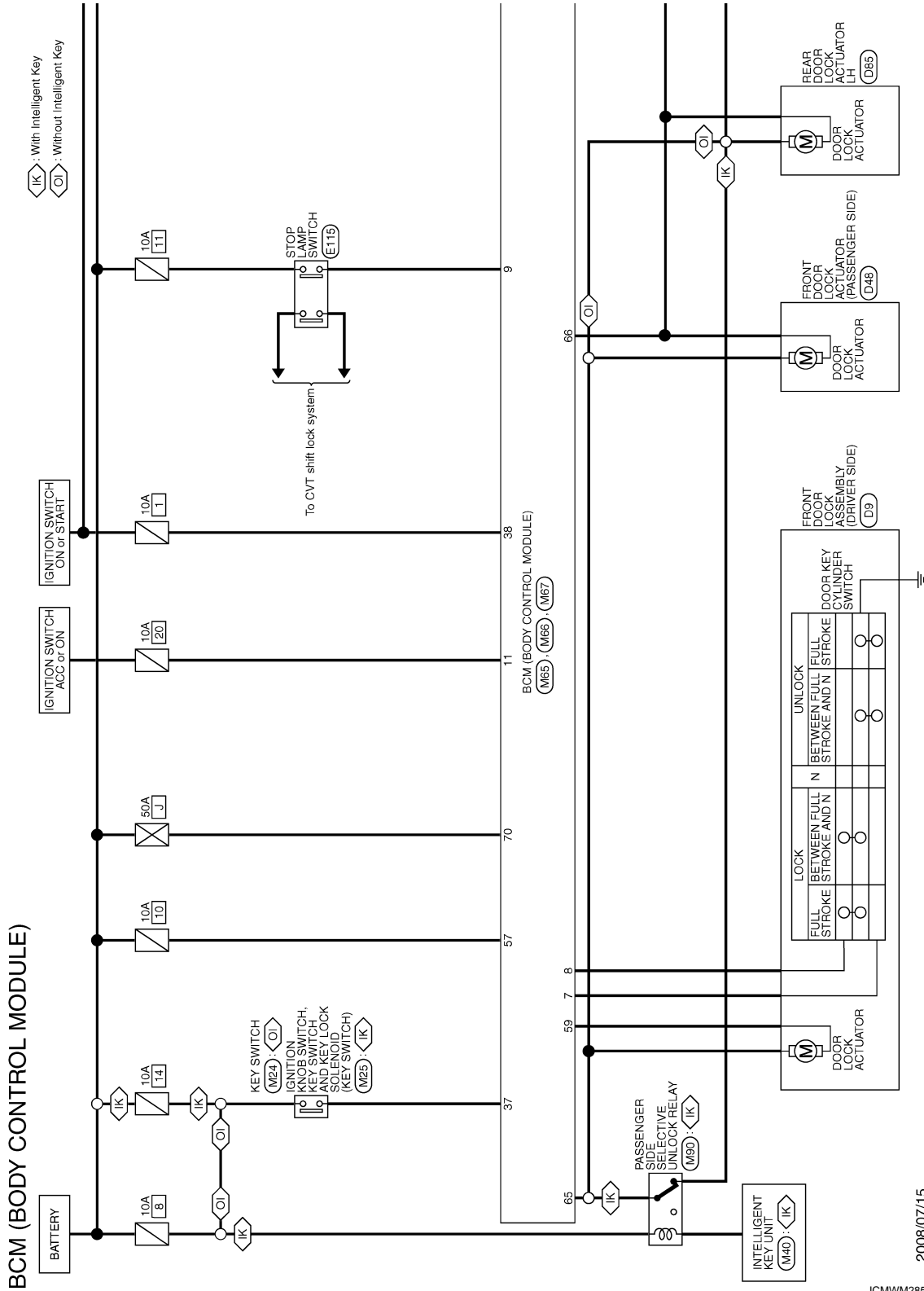
A
B
C
D
E
F
G
H
I
J
RF
L
M
N
O
P

BCM (BODY CONTROL MODULE)

< ECU DIAGNOSIS >

Wiring Diagram - BCM -

INFOID:000000004534168



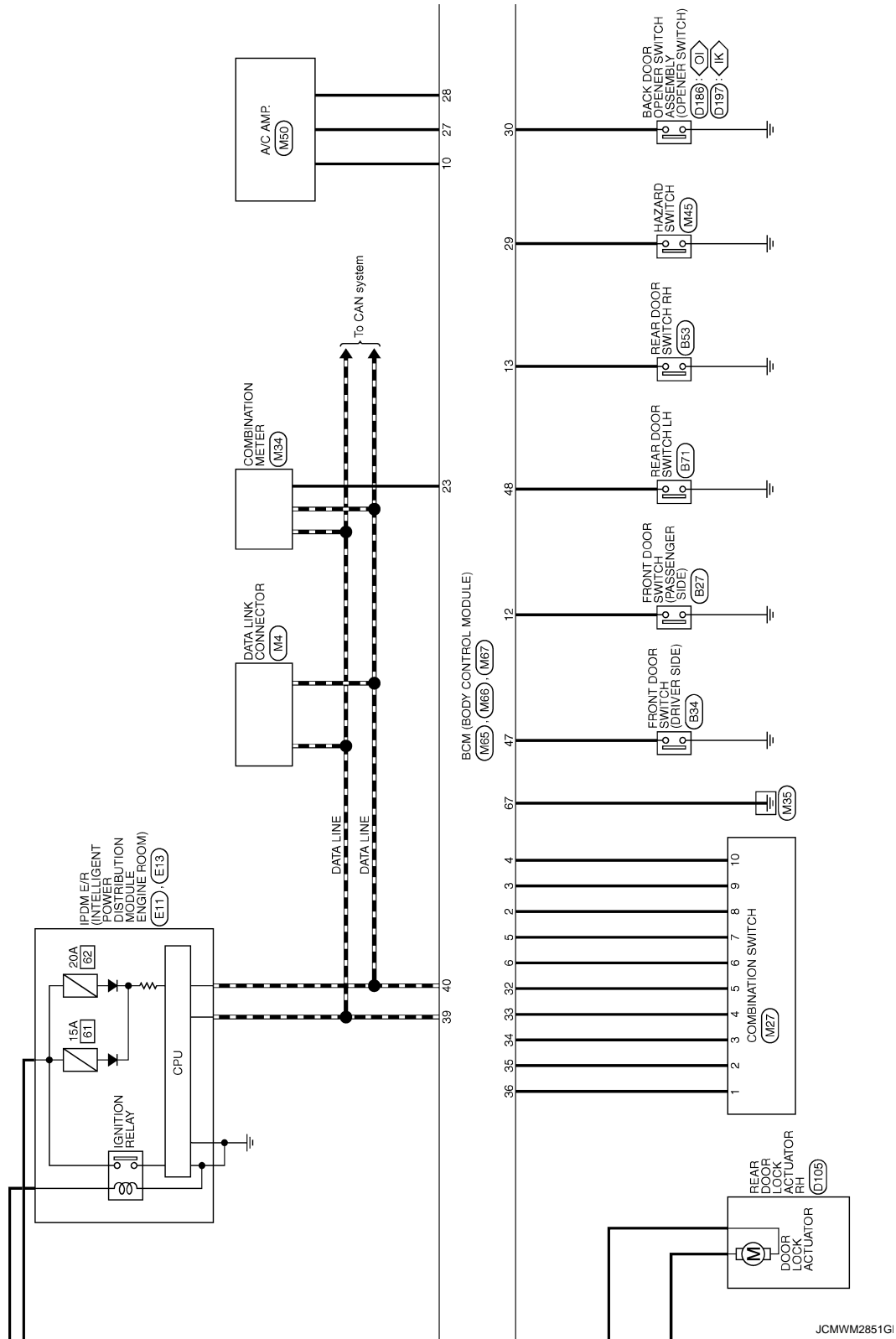
2008/07/15

JCMWM2850G

BCM (BODY CONTROL MODULE)

< ECU DIAGNOSIS >

IK : With Intelligent Key
OI : Without Intelligent Key

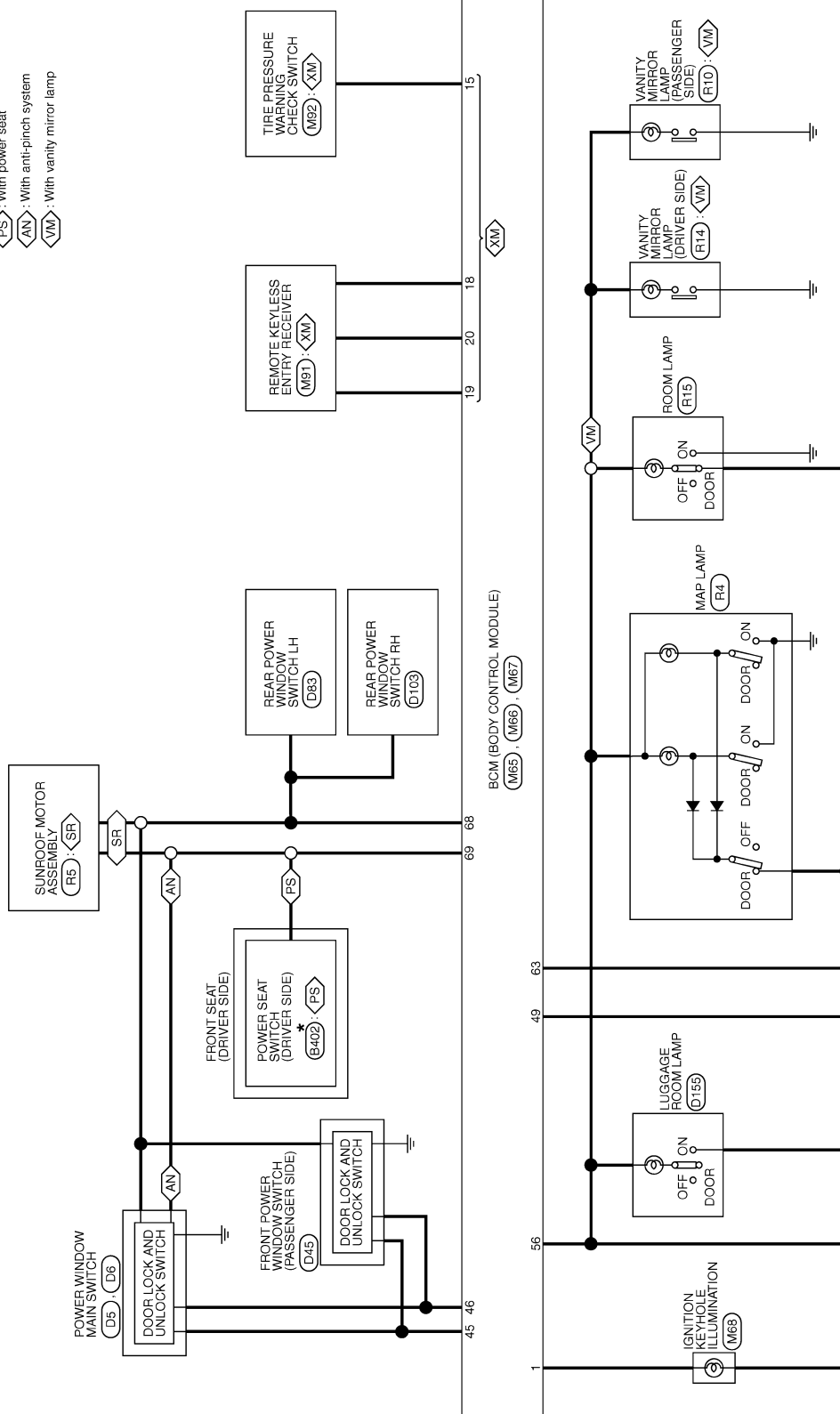


A
B
C
D
E
F
G
H
I
J
RF
L
M
N
O
P

BCM (BODY CONTROL MODULE)

< ECU DIAGNOSIS >

- <XM> : Except for Mexico
- <SR> : With sunroof
- <PS> : With power seat
- <AN> : With anti-pinch system
- <VM> : With vanity mirror lamp

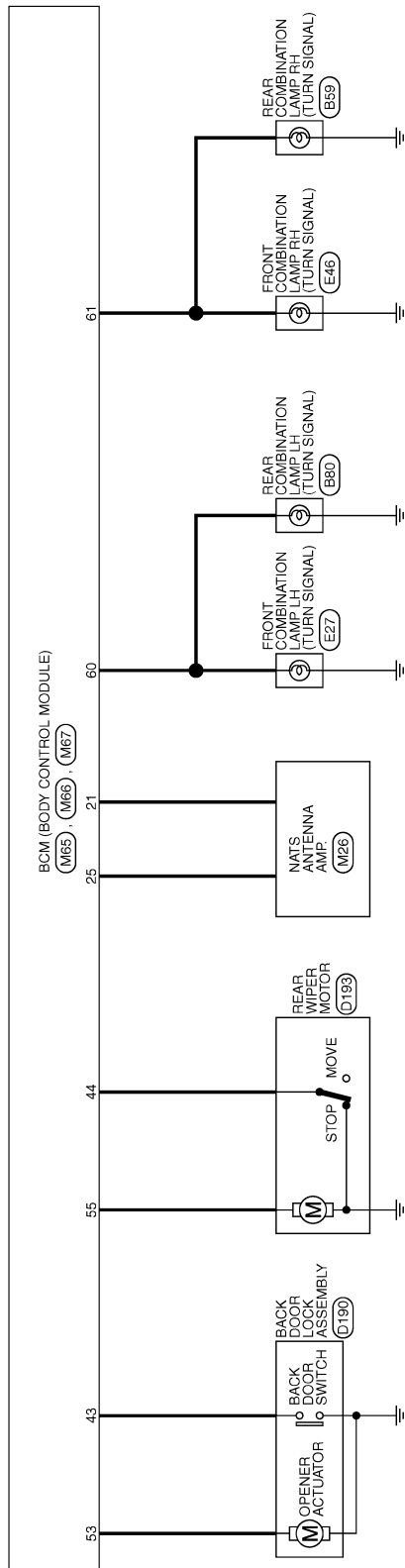


*: This connector is not shown in "Harness Layout".

JCMWM2852G

BCM (BODY CONTROL MODULE)

< ECU DIAGNOSIS >



JCMWM2853G1

A
B
C
D
E
F
G
H
I
J
RF
L
M
N
O
P

BCM (BODY CONTROL MODULE)

< ECU DIAGNOSIS >

BCM (BODY CONTROL MODULE)

Connector No.	M27
Connector Name	COMBINATION SWITCH
Connector Type	TK16FW



12	13	14	15	16	17	18	19	20	21	22	23	24	25	26	27	28	29	30	31	32	33	34	35	36	37	38	39	40	41	42	43	44	45	46	47	48	49	50	51	52	53	54	55
----	----	----	----	----	----	----	----	----	----	----	----	----	----	----	----	----	----	----	----	----	----	----	----	----	----	----	----	----	----	----	----	----	----	----	----	----	----	----	----	----	----	----	----

Terminal No.	Color of Wire	Signal Name [Specification]
1	V	INPUT 1
2	B	INPUT 2
3	L	INPUT 3
4	GR	INPUT 4
5	BR	INPUT 5
6	P	OUTPUT 1
7	R	OUTPUT 2
8	G	OUTPUT 5
9	Y	OUTPUT 4
10	W	OUTPUT 3

Connector No.	M67
Connector Name	BCM (BODY CONTROL MODULE)
Connector Type	FEA08FB-FHA6-SA



56	57	58	59	60	61	62	63	64	65	66	67	68	69	70
----	----	----	----	----	----	----	----	----	----	----	----	----	----	----

Terminal No.	Color of Wire	Signal Name [Specification]
56	Y	BATTERY/SAVEROUTPUT
57	G	BAT FUSE
58	L	D/L UNLOCK DR
59	BR	FLASHER OUT PUT (LEFT)
60	GR	FLASHER OUT PUT (RIGHT)
61	GR	ROOMLAMPOUTPUT
62	R	D/L LOCK ALL
63	V	D/L UNLOCK OTHER
64	G	GND
65	B	POWER WDM OUTPUT(GAP)
66	L	POWER WDM OUTPUT(BAT)
67	P	

Terminal No.	Color of Wire	Signal Name [Specification]
12	P	DR SW AS
13	LG	DR SW RR
14	O	TPMS MODE TRIGGER SW
15	O	KEYLESS TUNER SEUS GND
16	V	KEYLESS TUNER POWER
17	GR	KEYLESS TUNER SIGNAL
18	GR	IMMOBI ANT(CLOCK)
19	G	SECURITY IN0 OUT PUT
20	B	IMMOBI ANT(RX,TX)
21	BR	AIRCORN SW
22	Y	BLOWER FAN SW
23	LG	HAZARD SW
24	W	BACK DOOR OPEN SW
25	G	OUTPUT 5
26	GR	OUTPUT 4
27	L	OUTPUT 3
28	B	OUTPUT 2
29	V	OUTPUT 1
30	GR	KEY SW
31	LG	IGN
32	G	CAN-H
33	P	CAN-L

Connector No.	M66
Connector Name	BCM (BODY CONTROL MODULE)
Connector Type	FEA08FW-FHA6-SA



41	42	43	44	45	46	47	48	49	50	51	52	53	54	55
----	----	----	----	----	----	----	----	----	----	----	----	----	----	----

Terminal No.	Color of Wire	Signal Name [Specification]
43	V	BACK DOOR SW
44	B	RR WIP AUTO STOP
45	P	CDLUNLOCKSW
46	BR	CDLUNLOCKSW
47	W	DR SW DR
48	GR	DR SW RL
49	L	LUGGAGE LAMP OUTPUT
50	V	BACKDOORPEPPEROUTPUT
51	SB	RR WIP WTR OUT

Fail-safe

REAR WIPER MOTOR PROTECTION

BCM detects the rear wiper stopping position according to the rear wiper stop position signal. When the rear wiper stop position signal does not change more than 5 seconds while driving the rear wiper, BCM stops power supply to protect the rear wiper motor.

Condition of cancellation

JCMWMM2854G

INFOID:0000000004534169

BCM (BODY CONTROL MODULE)

< ECU DIAGNOSIS >

1. Pass more than 1 minute after the rear wiper stop.
2. Turn the rear wiper switch OFF.
3. Operate the rear wiper switch or rear washer switch.

HIGH FLASHER OPERATION

BCM detects the turn signal lamp circuit status by the current value.
 BCM increases the turn signal lamp blinking speed if the bulb or harness open is detected with the turn signal lamp operating.

NOTE:

The blinking speed is normal while activating the hazard warning lamp.

DTC Inspection Priority Chart

INFOID:000000004534170

If some DTCs are displayed at the same time, perform inspections one by one based on the following priority chart.

Priority	DTC
1	U1000: CAN COMM CIRCUIT
2	C1735: IGN CIRCUIT OPEN
3	<ul style="list-style-type: none"> • C1704: LOW PRESSURE FL • C1705: LOW PRESSURE FR • C1706: LOW PRESSURE RR • C1707: LOW PRESSURE RL • C1708: [NO DATA] FL • C1709: [NO DATA] FR • C1710: [NO DATA] RR • C1711: [NO DATA] RL • C1712: [CHECKSUM ERR] FL • C1713: [CHECKSUM ERR] FR • C1714: [CHECKSUM ERR] RR • C1715: [CHECKSUM ERR] RL • C1716: [PRESS DATA ERR] FL • C1717: [PRESS DATA ERR] FR • C1718: [PRESS DATA ERR] RR • C1719: [PRESS DATA ERR] RL • C1720: [CODE ERR] FL • C1721: [CODE ERR] FR • C1722: [CODE ERR] RR • C1723: [CODE ERR] RL • C1724: [BATT VOLT LOW] FL • C1725: [BATT VOLT LOW] FR • C1726: [BATT VOLT LOW] RR • C1727: [BATT VOLT LOW] RL • C1729: VHCL SPEED SIG ERR

DTC Index

INFOID:000000004534171

NOTE:

- Details of time display
- CRNT: Displays when there is a malfunction now or after returning to the normal condition until turning ignition switch OFF → ON again.
- 1 - 39: Displayed if any previous malfunction is present when current condition is normal. It increases like 1 → 2 → 3...38 → 39 after returning to the normal condition whenever ignition switch OFF → ON. The counter remains at 39 even if the number of cycles exceeds it. It is counted from 1 again when turning ignition switch OFF → ON after returning to the normal condition if the malfunction is detected again.

CONSULT display	Tire pressure monitor warning lamp ON	Reference
U1000: CAN COMM CIRCUIT	—	BCS-35

BCM (BODY CONTROL MODULE)

< ECU DIAGNOSIS >

CONSULT display	Tire pressure monitor warning lamp ON	Reference
C1704: LOW PRESSURE FL	×	WT-15
C1705: LOW PRESSURE FR	×	
C1706: LOW PRESSURE RR	×	
C1707: LOW PRESSURE RL	×	
C1708: [NO DATA] FL	×	WT-17
C1709: [NO DATA] FR	×	
C1710: [NO DATA] RR	×	
C1711: [NO DATA] RL	×	
C1712: [CHECKSUM ERR] FL	×	WT-20
C1713: [CHECKSUM ERR] FR	×	
C1714: [CHECKSUM ERR] RR	×	
C1715: [CHECKSUM ERR] RL	×	
C1716: [PRESS DATA ERR] FL	×	WT-23
C1717: [PRESS DATA ERR] FR	×	
C1718: [PRESS DATA ERR] RR	×	
C1719: [PRESS DATA ERR] RL	×	
C1720: [CODE ERR] FL	×	WT-25
C1721: [CODE ERR] FR	×	
C1722: [CODE ERR] RR	×	
C1723: [CODE ERR] RL	×	
C1724: [BATT VOLT LOW] FL	—	WT-28
C1725: [BATT VOLT LOW] FR	—	
C1726: [BATT VOLT LOW] RR	—	
C1727: [BATT VOLT LOW] RL	—	
C1729: VHCL SPEED SIG ERR	×	WT-31
C1735: IGN CIRCUIT OPEN	—	BCS-36

SUNROOF MOTOR ASSEMBLY

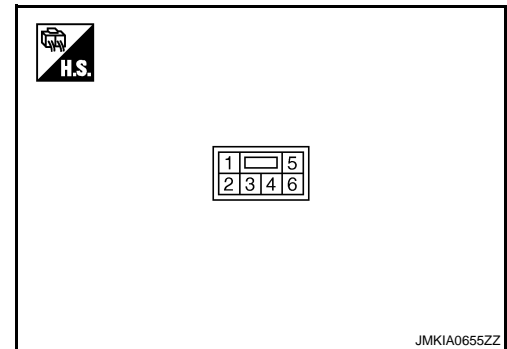
< ECU DIAGNOSIS >

SUNROOF MOTOR ASSEMBLY

Reference Value

INFOID:000000004232682

TERMINAL LAYOUT



PHYSICAL VALUES

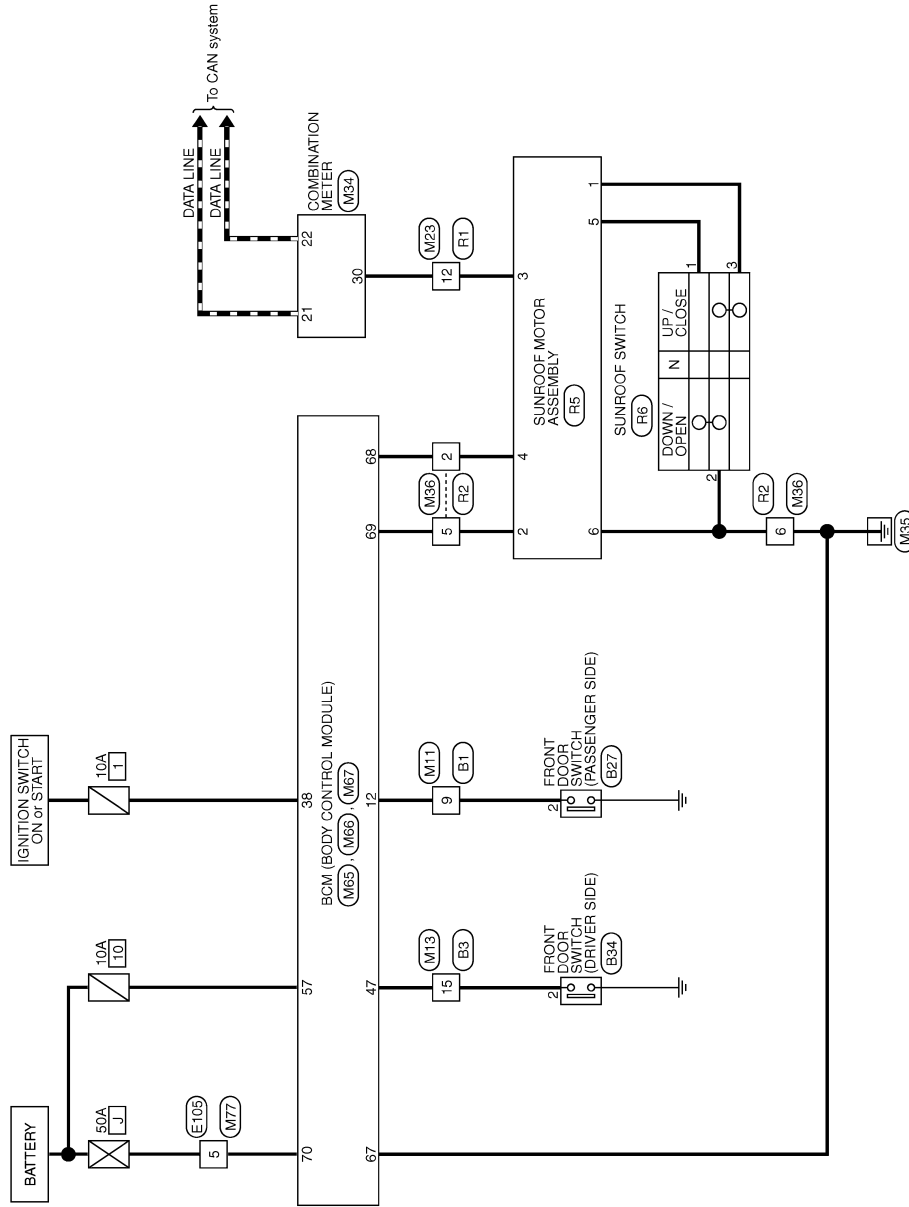
Terminal No. (Wire color)		Description		Condition	Value
+	-	Signal name	Input/ Output		
1 (R)	Ground	Sunroof close switch signal	Input	Sunroof switch in following position • TILT UP • SLIDE CLOSE	0
				Other than above	Battery voltage
2 (P)	Ground	Sunroof power supply	Input	—	Battery voltage
3 (O)	Ground	Vehicle speed signal (2-pulse)	Input	Speedometer operated [When vehicle speed is approx.40km/ h (25MPH)]	
4 (L)	Ground	Ignition switch power supply	Input	Ignition switch ON	Battery voltage
				Other than above	0
5 (G)	Ground	Sunroof open switch signal	Input	Sunroof switch in following position • TILT DOWN • SLIDE OPEN	0
				Other than above	Battery voltage
6 (B)	Ground	Ground	—	—	0

SUNROOF MOTOR ASSEMBLY

< ECU DIAGNOSIS >

Wiring Diagram— SUNROOF —

INFOID:000000004232683



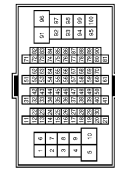
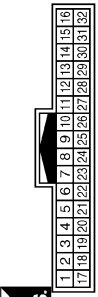
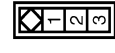
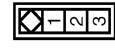
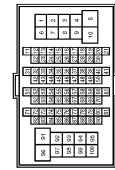

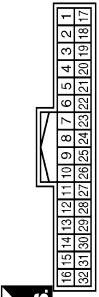
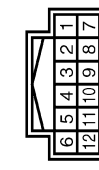
SUNROOF

2008/07/15

JCKWM2031Gf

SUNROOF MOTOR ASSEMBLY

< ECU DIAGNOSIS >

SUNROOF			Signal Name [Specification]		
Connector No.	B1	WIRE TO WIRE	Terminal No.	9	BR
Connector Name	TH80FW-CS16-TM4		Color of Wire		
Connector Type			Signal Name [Specification]		
					
Connector No.	B3	WIRE TO WIRE	Terminal No.	15	P
Connector Name	TH32MP-NH		Color of Wire		
Connector Type			Signal Name [Specification]		
					
Connector No.	B27	FRONT DOOR SWITCH (PASSENGER SIDE)	Terminal No.	2	BR
Connector Name	A33FW		Color of Wire		
Connector Type			Signal Name [Specification]		
					
Connector No.	B34	FRONT DOOR SWITCH (DRIVER SIDE)	Terminal No.	2	P
Connector Name	A33FW		Color of Wire		
Connector Type			Signal Name [Specification]		
					
Connector No.	E105	WIRE TO WIRE	Terminal No.	5	Y
Connector Name	TH80FW-CS16-TM4		Color of Wire		
Connector Type			Signal Name [Specification]		
					
Connector No.	M11	WIRE TO WIRE	Terminal No.	9	P
Connector Name	TH80FW-CS16-TM4		Color of Wire		
Connector Type			Signal Name [Specification]		
					
Connector No.	M13	WIRE TO WIRE	Terminal No.	15	W
Connector Name	TH32FW-NH		Color of Wire		
Connector Type			Signal Name [Specification]		
					
Connector No.	M23	WIRE TO WIRE	Terminal No.	12	Y
Connector Name	TH12FW-NH		Color of Wire		
Connector Type			Signal Name [Specification]		
					

A
B
C
D
E
F
G
H
I
J
RF
L
M
N
O
P

JCKWM2032Gf

SUNROOF MOTOR ASSEMBLY

< ECU DIAGNOSIS >

SUNROOF

Connector No. M34	COMBINATION METER	SAB4QFW	1 2 3 4 5 6 7 8 9 10 11 12 13 14 15 16 17 18 19 20 21 22 23 24 25 26 27 28 29 30 31 32 33 34 35 36 37 38 39 40	Terminal No. 21	Color of Wire L	Signal Name [Specification] CAN-H
Connector Name	SAB4QFW			Terminal No. 22	Color of Wire P	Signal Name [Specification] CAN-L
Connector Type	SAB4QFW			Terminal No. 30	Color of Wire Y	Signal Name [Specification] VEHICLE SPEED (2-PULSE)
Connector No. M35	WIRE TO WIRE	NS06FER-CS	2 6 5 4 3 1	Terminal No. 2	Color of Wire L	Signal Name [Specification]
Connector Name	WIRE TO WIRE			Terminal No. 5	Color of Wire P	Signal Name [Specification]
Connector Type	NS06FER-CS			Terminal No. 6	Color of Wire B	Signal Name [Specification]
Connector No. M65	BCM (BODY CONTROL MODULE)	TH40FW-NH	1 2 3 4 5 6 7 8 9 10 11 12 13 14 15 16 17 18 19 20 21 22 23 24 25 26 27 28 29 30 31 32 33 34 35 36 37 38 39	Terminal No. 12	Color of Wire P	Signal Name [Specification] DR SW AS
Connector Name	TH40FW-NH			Terminal No. 38	Color of Wire G	Signal Name [Specification] IGN
Connector Type	TH40FW-NH					
Connector No. M36	WIRE TO WIRE	NS06FER-CS	2 6 5 4 3 1	Terminal No. 2	Color of Wire L	Signal Name [Specification]
Connector Name	WIRE TO WIRE			Terminal No. 5	Color of Wire P	Signal Name [Specification]
Connector Type	NS06FER-CS			Terminal No. 6	Color of Wire B	Signal Name [Specification]
Connector No. M66	BCM (BODY CONTROL MODULE)	FEA08FW-FHA6-SA	41 42 43 44 45 46 47 48 49 50 51 52 53 54 55	Terminal No. 47	Color of Wire W	Signal Name [Specification] DR SW DR
Connector Name	FEA08FW-FHA6-SA					
Connector Type	FEA08FW-FHA6-SA					
Connector No. M67	BCM (BODY CONTROL MODULE)	FEA08FW-FHA6-SA	56 57 58 59 60 61 62 63 64 65 66 67 68 69 70	Terminal No. 57	Color of Wire G	Signal Name [Specification] BAT FUSE
Connector Name	FEA08FW-FHA6-SA			Terminal No. 67	Color of Wire B	Signal Name [Specification] GND
Connector Type	FEA08FW-FHA6-SA			Terminal No. 68	Color of Wire L	Signal Name [Specification] POWER WDW OUTPUT(RAP)
Connector No. M68	WIRE TO WIRE	TH80MW-TM4	1 2 3 4 5 6 7 8 9 10 11 12	Terminal No. 5	Color of Wire Y	Signal Name [Specification] POWER WDW OUTPUT(BAT)
Connector Name	WIRE TO WIRE			Terminal No. 6	Color of Wire B	Signal Name [Specification] BAT FL
Connector Type	TH80MW-TM4					
Connector No. M69	WIRE TO WIRE	TH12MW-NH	1 2 3 4 5 6 7 8 9 10 11 12	Terminal No. 12	Color of Wire O	Signal Name [Specification]
Connector Name	WIRE TO WIRE					
Connector Type	TH12MW-NH					
Connector No. M70	WIRE TO WIRE	NS06MFR-CS	1 2 3 4 5 6	Terminal No. 2	Color of Wire L	Signal Name [Specification]
Connector Name	WIRE TO WIRE			Terminal No. 5	Color of Wire P	Signal Name [Specification]
Connector Type	NS06MFR-CS			Terminal No. 6	Color of Wire B	Signal Name [Specification]

JCKWM2033GI

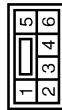
SUNROOF MOTOR ASSEMBLY

< ECU DIAGNOSIS >

A
B
C
D
E
F
G
H
I
J
RF
L
M
N
O
P

SUNROOF

Connector No.	R5
Connector Name	SUNROOF MOTOR ASSEMBLY
Connector Type	TK03PW-CS



Terminal No.	Color of Wire	Signal Name [Specification]
1	R	SW BIT4
2	P	4B
3	O	SPEED SENSOR
4	L	IGN
5	G	SW BIT3
6	B	GND

Connector No.	R6
Connector Name	SUNROOF SWITCH
Connector Type	TK03PW



Terminal No.	Color of Wire	Signal Name [Specification]
1	G	-
2	B	-
3	R	-

SUNROOF DOES NOT OPERATE PROPERLY

< SYMPTOM DIAGNOSIS >

SYMPTOM DIAGNOSIS

SUNROOF DOES NOT OPERATE PROPERLY

Diagnosis Procedure

INFOID:000000004232684

1. CHECK BCM POWER SUPPLY AND GROUND CIRCUIT

Check BCM power supply and ground circuit.

Refer to [RF-9, "BCM \(BODY CONTROL MODULE\) : Diagnosis Procedure"](#).

Is the inspection result normal?

YES >> GO TO 2.

NO >> Repair or replace the malfunctioning parts.

2. CHECK SUNROOF MOTOR ASSEMBLY POWER SUPPLY AND GROUND CIRCUIT

Check sunroof motor assembly power supply and ground circuit.

Refer to [RF-9, "SUNROOF MOTOR ASSEMBLY : Diagnosis Procedure"](#).

Is the inspection result normal?

YES >> GO TO 3.

NO >> Repair or replace the malfunctioning parts.

3. CHECK SUNROOF SWITCH

Check sunroof switch.

Refer to [RF-11, "Component Function Check"](#).

Is the inspection result normal?

YES >> GO TO 4.

NO >> Repair or replace sunroof switch.

4. CONFIRM THE OPERATION

Confirm the operation again.

Is the result normal?

YES >> Check intermittent incident. Refer to [GI-41, "Intermittent Incident"](#).

NO >> GO TO 1.

AUTO OPERATION DOES NOT OPERATE

< SYMPTOM DIAGNOSIS >

AUTO OPERATION DOES NOT OPERATE

Diagnosis Procedure

INFOID:000000004232685

1. PERFORM INITIALIZATION PROCEDURE

Perform initialization procedure.

Refer to [RF-4, "ADDITIONAL SERVICE WHEN REMOVING BATTERY NEGATIVE TERMINAL : Special Repair Requirement"](#).

Is the inspection result normal?

YES >> INSPECTION END

NO >> Replace sunroof motor assembly.

A
B
C
D
E
F
G
H
I
J
RF
L
M
N
O
P

DOES NOT STOP FULLY-OPEN OR FULLY-CLOSED POSITION

< SYMPTOM DIAGNOSIS >

DOES NOT STOP FULLY-OPEN OR FULLY-CLOSED POSITION

Diagnosis Procedure

INFOID:000000004232686

1. PERFORM INITIALIZATION PROCEDURE

Perform initialization procedure.

Refer to [RF-4, "ADDITIONAL SERVICE WHEN REMOVING BATTERY NEGATIVE TERMINAL : Special Repair Requirement"](#).

Is the inspection result normal?

- YES >> INSPECTION END
- NO >> Replace sunroof motor assembly.

POWER WINDOW RETAINED POWER OPERATION DOES NOT OPERATE PROPERLY

< SYMPTOM DIAGNOSIS >

POWER WINDOW RETAINED POWER OPERATION DOES NOT OPERATE PROPERLY

Diagnosis Procedure

INFOID:000000004232687

1.CHECK DOOR SWITCH

Check door switch.

Refer to [RF-13, "Component Function Check"](#).

Is the inspection result normal?

YES >> GO TO 2.

NO >> Repair or replace the malfunctioning parts.

2.CONFIRM THE OPERATION

Confirm the operation again.

Is the result normal?

YES >> Check intermittent incident. Refer to [GI-41, "Intermittent Incident"](#).

NO >> GO TO 1.

A
B
C
D
E
F
G
H
I
J
L
M
N
O
P

RF

SUNROOF DOES NOT OPERATE ANTI-PINCH FUNCTION

< SYMPTOM DIAGNOSIS >

SUNROOF DOES NOT OPERATE ANTI-PINCH FUNCTION

Diagnosis Procedure

INFOID:000000004232688

1. PERFORM INITIALIZATION PROCEDURE

Perform initialization procedure.

Refer to [RF-4, "ADDITIONAL SERVICE WHEN REMOVING BATTERY NEGATIVE TERMINAL : Special Repair Requirement"](#).

Is the inspection result normal?

YES >> INSPECTION END

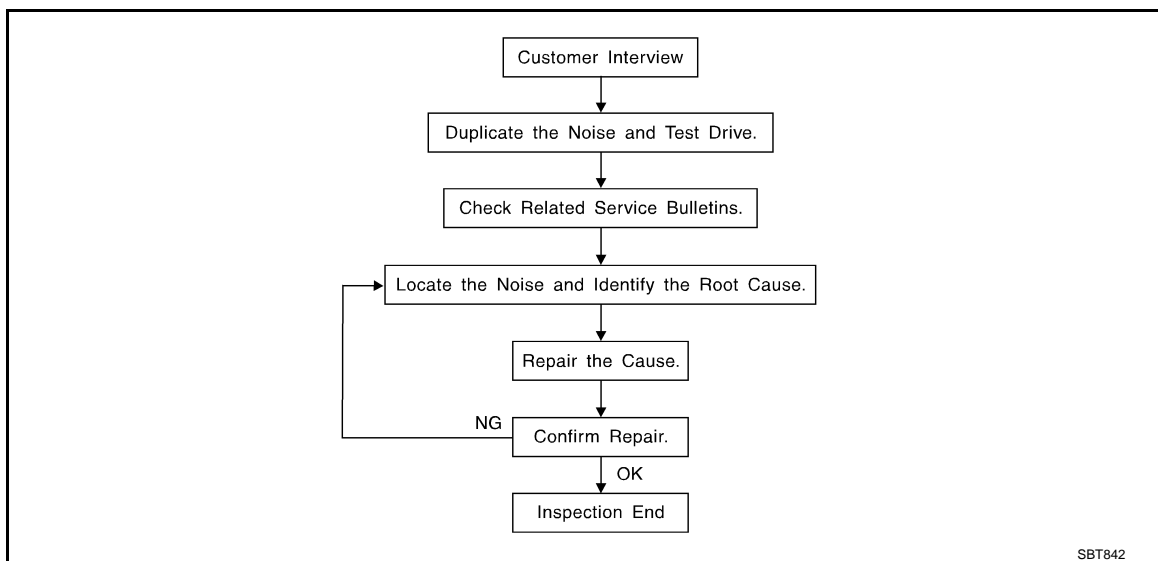
NO >> Replace sunroof motor assembly.

SQUEAK AND RATTLE TROUBLE DIAGNOSES

< SYMPTOM DIAGNOSIS >

SQUEAK AND RATTLE TROUBLE DIAGNOSES

Work Flow



CUSTOMER INTERVIEW

Interview the customer if possible, to determine the conditions that exist when the noise occurs. Use the Diagnostic Worksheet during the interview to document the facts and conditions when the noise occurs and any of customer's comments; refer to [RF-53, "Diagnostic Worksheet"](#). This information is necessary to duplicate the conditions that exist when the noise occurs.

- The customer may not be able to provide a detailed description or the location of the noise. Attempt to obtain all the facts and conditions that exist when the noise occurs (or does not occur).
- If there is more than one noise in the vehicle, perform a diagnosis and repair the noise that the customer is concerned about. This can be accomplished by performing a cruise test on the vehicle with the customer.
- After identifying the type of noise, isolate the noise in terms of its characteristics. The noise characteristics are provided so the customer, service adviser and technician are all speaking the same language when defining the noise.
- Squeak – (Like tennis shoes on a clean floor)
Squeak characteristics include the light contact/fast movement/brought on by road conditions/hard surfaces = higher pitch noise/softer surfaces = lower pitch noises/edge to surface = chirping
- Creak – (Like walking on an old wooden floor)
Creak characteristics include firm contact/slow movement/twisting with a rotational movement/pitch dependent on materials/often brought on by activity.
- Rattle – (Like shaking a baby rattle)
Rattle characteristics include the fast repeated contact/vibration or similar movement/loose parts/missing clip or fastener/incorrect clearance.
- Knock – (Like a knock on a door)
Knock characteristics include hollow sounding/sometimes repeating/often brought on by driver action.
- Tick – (Like a clock second hand)
Tick characteristics include gentle contacting of light materials/loose components/can be caused by driver action or road conditions.
- Thump – (Heavy, muffled knock noise)
Thump characteristics include softer knock/dead sound often brought on by activity.
- Buzz – (Like a bumblebee)
Buzz characteristics include high frequency rattle/firm contact.
- Often the degree of acceptable noise level will vary depending up on the person. A noise that a technician may judge as acceptable may be very irritating to the customer.
- Weather conditions, especially humidity and temperature, may have a great effect on noise level.

DUPLICATE THE NOISE AND TEST DRIVE

If possible, drive the vehicle with the customer until the noise is duplicated. Note any additional information on the Diagnostic Worksheet regarding the conditions or location of the noise. This information can be used to duplicate the same conditions when the repair is reconfirmed.

SQUEAK AND RATTLE TROUBLE DIAGNOSES

< SYMPTOM DIAGNOSIS >

If the noise can be duplicated easily during the test drive, to help identify the source of the noise, try to duplicate the noise with the vehicle stopped by doing one or all of the following:

- 1) Close a door.
 - 2) Tap or push/pull around the area where the noise appears to be coming from.
 - 3) Rev the engine.
 - 4) Use a floor jack to recreate vehicle "twist".
 - 5) At idle, apply engine load (electrical load, half-clutch on M/T models, drive position on A/T models).
 - 6) Raise the vehicle on a hoist and hit a tire with a rubber hammer.
- Drive the vehicle and attempt to duplicate the conditions the customer states exist when the noise occurs.
 - If it is difficult to duplicate the noise, drive the vehicle slowly on an undulating or rough road to stress the vehicle body.

CHECK RELATED SERVICE BULLETINS

After verifying the customer concern or symptom, check ASIST for Technical Service Bulletins (TSBs) related to that concern or symptom.

If a TSB relates to the symptom, follow the procedure to repair the noise.

LOCATE THE NOISE AND IDENTIFY THE ROOT CAUSE

1. Narrow down the noise to a general area. To help pinpoint the source of the noise, use a listening tool (Chassis ear: J-39570, Engine ear and mechanics stethoscope).
2. Narrow down the noise to a more specific area and identify the cause of the noise by:
 - Removing the components in the area that is are suspected to be the cause of the noise.
Do not use too much force when removing clips and fasteners, otherwise clips and fastener can be broken or lost during the repair, resulting in the creation of new noise.
 - Tapping or pushing/pulling the component that is are suspected to be the cause of the noise.
Do not tap or push/pull the component with excessive force, otherwise the noise will be eliminated only temporarily.
 - Feeling for a vibration by hand by touching the component(s) that is are suspected to be the cause of the noise.
 - Placing a piece of paper between components that are suspected to be the cause of the noise.
 - Looking for loose components and contact marks.
Refer to [RF-51, "Inspection Procedure"](#).

REPAIR THE CAUSE

- If the cause is a loose component, tighten the component securely.
- If the cause is insufficient clearance between components:
 - Separate components by repositioning or loosening and retightening the component, if possible.
 - Insulate components with a suitable insulator such as urethane pads, foam blocks, felt cloth tape or urethane tape. A Nissan Squeak and Rattle Kit (J-43980) is available through the authorized Nissan Parts Department.

CAUTION:

Never use excessive force as many components are constructed of plastic and may be damaged.

NOTE:

Always check with the Parts Department for the latest parts information.

The following materials are contained in the Nissan Squeak and Rattle Kit (J-43980). Each item can be ordered separately as needed.

URETHANE PADS [1.5 mm (0.059 in) thick]

Insulates connectors, harness, etc.

76268-9E005: 100 × 135 mm (3.94 × 5.31 in)/76884-71L01: 60 × 85 mm (2.36 × 3.35 in)/76884-71L02: 15 × 25 mm (0.59 × 0.98 in)

INSULATOR (Foam blocks)

Insulates components from contact. Can be used to fill space behind a panel.

73982-9E000: 45 mm (1.77 in) thick, 50 × 50 mm (1.97 × 1.97 in)/73982-

50Y00: 10 mm (0.39 in) thick, 50 × 50 mm (1.97 × 1.97 in)

INSULATOR (Light foam block)

80845-71L00: 30 mm (1.18 in) thick, 30 × 50 mm (1.18 × 1.97in)

FELT CLOTHTAPE

Used to insulate where movement does not occur. Ideal for instrument panel applications.

68370-4B000: 15 × 25 mm (0.59 × 0.98 in) pad/68239-13E00: 5 mm (0.20 in) wide tape roll

The following materials, not found in the kit, can also be used to repair squeaks and rattles.

UHMW (TEFLON) TAPE

SQUEAK AND RATTLE TROUBLE DIAGNOSES

< SYMPTOM DIAGNOSIS >

Insulates where slight movement is present. Ideal for instrument panel applications.

SILICONE GREASE

Used in place of UHMW tape that is be visible or does not fit. Will only last a few months.

SILICONE SPRAY

Used when grease cannot be applied.

DUCT TAPE

Used to eliminate movement.

CONFIRM THE REPAIR

Confirm that the cause of a noise is repaired by test driving the vehicle. Operate the vehicle under the same conditions as when the noise originally occurred. Refer to the notes on the Diagnostic Worksheet.

Inspection Procedure

INFOID:000000004589938

Refer to Table of Contents for specific component removal and installation information.

INSTRUMENT PANEL

Most incidents are caused by contact and movement between:

1. The cluster lid A and instrument panel
2. Acrylic lens and combination meter housing
3. Instrument panel to front pillar garnish
4. Instrument panel to windshield
5. Instrument panel mounting pins
6. Wiring harnesses behind the combination meter
7. A/C defroster duct and duct joint

These incidents can usually be located by tapping or moving the components to duplicate the noise or by pressing on the components while driving to stop the noise. Most of these incidents can be repaired by applying felt cloth tape or silicon spray (in hard to reach areas). Urethane pads can be used to insulate wiring harness.

CAUTION:

Never use silicone spray to isolate a squeak or rattle. If the area is saturated with silicone, the recheck of repair becomes impossible.

CENTER CONSOLE

Components to pay attention to include:

1. Shifter assembly cover to finisher
2. A/C control unit and cluster lid C
3. Wiring harnesses behind audio and A/C control unit

The instrument panel repair and isolation procedures also apply to the center console.

DOORS

Pay attention to the following:

1. Finisher and inner panel making a slapping noise
2. Inside handle escutcheon to door finisher
3. Wiring harnesses tapping
4. Door striker out of alignment causing a popping noise on starts and stops

Tapping or moving the components or pressing on them while driving to duplicate the conditions can isolate many of these incidents. The areas can usually be insulated with felt cloth tape or insulator foam blocks from the Nissan Squeak and Rattle Kit (J-43980) to repair the noise.

TRUNK

Trunk noises are often caused by a loose jack or loose items put into the trunk by the customer.

In addition look for the following:

1. Trunk lid dumpers out of adjustment
2. Trunk lid striker out of adjustment
3. The trunk lid torsion bars knocking together
4. A loose license plate or bracket

A
B
C
D
E
F
G
H
I
J
RF
L
M
N
O
P

SQUEAK AND RATTLE TROUBLE DIAGNOSES

< SYMPTOM DIAGNOSIS >

Most of these incidents can be repaired by adjusting, securing or insulating the item(s) or component(s) causing the noise.

SUNROOF/HEADLINING

Noises in the sunroof/headlining area can often be traced to one of the following:

1. Sunroof lid, rail, linkage or seals making a rattle or light knocking noise
2. Sunvisor shaft shaking in the holder
3. Front or rear windshield touching headlining and squeaking

Again, pressing on the components to stop the noise while duplicating the conditions can isolate most of these incidents. Repairs usually consist of insulating with felt cloth tape.

SEATS

When isolating seat noise it's important to note the position the seats in and the load placed on the seat when the noise occurs. These conditions should be duplicated when verifying and isolating the cause of the noise.

Cause of seat noise include:

1. Headrest rods and holder
2. A squeak between the seat pad cushion and frame
3. The rear seatback lock and bracket

These noises can be isolated by moving or pressing on the suspected components while duplicating the conditions under which the noise occurs. Most of these incidents can be repaired by repositioning the component or applying urethane tape to the contact area.

UNDERHOOD

Some interior noise may be caused by components under the hood or on the engine wall. The noise is then transmitted into the passenger compartment.

Causes of transmitted underhood noise include:

1. Any component mounted to the engine wall
2. Components that pass through the engine wall
3. Engine wall mounts and connectors
4. Loose radiator mounting pins
5. Hood bumpers out of adjustment
6. Hood striker out of adjustment

These noises can be difficult to isolate since they cannot be reached from the interior of the vehicle. The best method is to secure, move or insulate one component at a time and test drive the vehicle. Also, engine RPM or load can be changed to isolate the noise. Repairs can usually be made by moving, adjusting, securing, or insulating the component causing the noise.

SQUEAK AND RATTLE TROUBLE DIAGNOSES

< SYMPTOM DIAGNOSIS >

Diagnostic Worksheet

INFOID:000000004232691



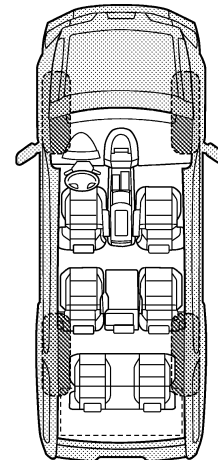
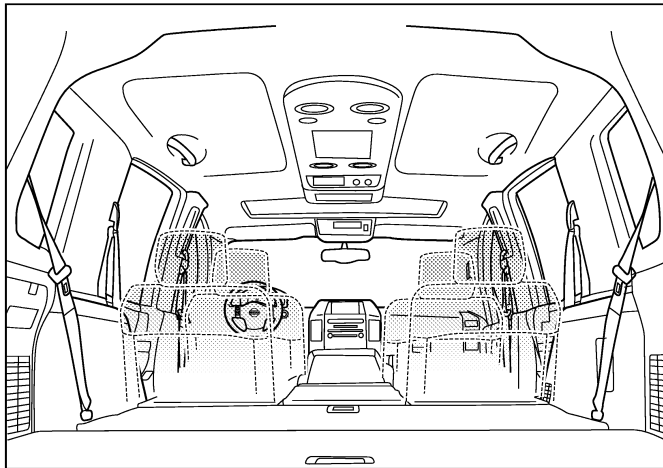
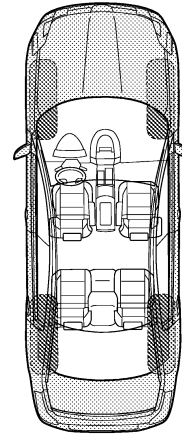
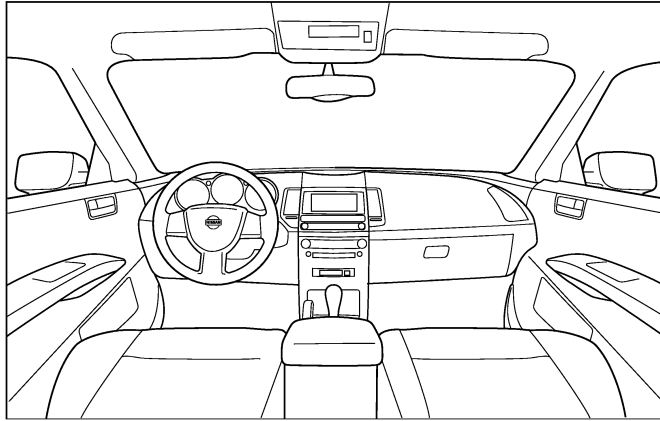
SQUEAK & RATTLE DIAGNOSTIC WORKSHEET

Dear Nissan Customer:

We are concerned about your satisfaction with your Nissan vehicle. Repairing a squeak or rattle sometimes can be very difficult. To help us fix your Nissan right the first time, please take a moment to note the area of the vehicle where the squeak or rattle occurs and under what conditions. You may be asked to take a test drive with a service advisor or technician to ensure we confirm the noise you are hearing.

I. WHERE DOES THE NOISE COME FROM? (circle the area of the vehicle)

The illustrations are for reference only, and may not reflect the actual configuration of your vehicle.



Continue to page 2 of the worksheet and briefly describe the location of the noise or rattle. In addition, please indicate the conditions which are present when the noise occurs.

PIIB8740E

A
B
C
D
E
F
G
H
I
J
RF
L
M
N
O
P

SQUEAK AND RATTLE TROUBLE DIAGNOSES

< SYMPTOM DIAGNOSIS >

SQUEAK & RATTLE DIAGNOSTIC WORKSHEET - page 2

Briefly describe the location where the noise occurs:

II. WHEN DOES IT OCCUR? (please check the boxes that apply)

- | | |
|-------------------------------------------------------|--------------------------------------------------------|
| <input type="checkbox"/> anytime | <input type="checkbox"/> after sitting out in the rain |
| <input type="checkbox"/> 1st time in the morning | <input type="checkbox"/> when it is raining or wet |
| <input type="checkbox"/> only when it is cold outside | <input type="checkbox"/> dry or dusty conditions |
| <input type="checkbox"/> only when it is hot outside | <input type="checkbox"/> other: |

III. WHEN DRIVING:

- through driveways
- over rough roads
- over speed bumps
- only about ____ mph
- on acceleration
- coming to a stop
- on turns: left, right or either (circle)
- with passengers or cargo
- other: _____
- after driving ____ miles or ____ minutes

IV. WHAT TYPE OF NOISE

- squeak (like tennis shoes on a clean floor)
- creak (like walking on an old wooden floor)
- rattle (like shaking a baby rattle)
- knock (like a knock at the door)
- tick (like a clock second hand)
- thump (heavy, muffled knock noise)
- buzz (like a bumble bee)

TO BE COMPLETED BY DEALERSHIP PERSONNEL

Test Drive Notes:

	YES	NO	Initials of person performing
Vehicle test driven with customer	<input type="checkbox"/>	<input type="checkbox"/>	_____
- Noise verified on test drive	<input type="checkbox"/>	<input type="checkbox"/>	_____
- Noise source located and repaired	<input type="checkbox"/>	<input type="checkbox"/>	_____
- Follow up test drive performed to confirm repair	<input type="checkbox"/>	<input type="checkbox"/>	_____

VIN: _____ Customer Name: _____
W.O.# _____ Date: _____

This form must be attached to Work Order

PIIB8742E

PRECAUTIONS

< PRECAUTION >

PRECAUTION

PRECAUTIONS FOR MEXICO

FOR MEXICO : Precaution for Supplemental Restraint System (SRS) "AIR BAG" and "SEAT BELT PRE-TENSIONER"

INFOID:000000004232692

The Supplemental Restraint System such as "AIR BAG" and "SEAT BELT PRE-TENSIONER", used along with a front seat belt, helps to reduce the risk or severity of injury to the driver and front passenger for certain types of collision. Information necessary to service the system safely is included in the "SRS AIRBAG" and "SEAT BELT" of this Service Manual.

WARNING:

- **To avoid rendering the SRS inoperative, which could increase the risk of personal injury or death in the event of a collision which would result in air bag inflation, all maintenance must be performed by an authorized NISSAN/INFINITI dealer.**
- **Improper maintenance, including incorrect removal and installation of the SRS, can lead to personal injury caused by unintentional activation of the system. For removal of Spiral Cable and Air Bag Module, see the "SRS AIRBAG".**
- **Do not use electrical test equipment on any circuit related to the SRS unless instructed to in this Service Manual. SRS wiring harnesses can be identified by yellow and/or orange harnesses or harness connectors.**

FOR MEXICO : Service Notice

INFOID:000000004232693

- When removing or installing various parts, place a cloth or padding onto the vehicle body to prevent scratches.
- Handle trim, molding, instruments, grille, etc. carefully during removing or installing. Be careful not to oil or damage them.
- Apply sealing compound where necessary when installing parts.
- When applying sealing compound, be careful that the sealing compound does not protrude from parts.
- When replacing any metal parts (for example body outer panel, members, etc.), be sure to take rust prevention measures.

FOR MEXICO : Precaution for Work

INFOID:000000004232694

- When removing or disassembling each component, be careful not to damage or deform it. If a component may be subject to interference, be sure to protect it with a shop cloth.
- When removing (disengaging) components with a screwdriver or similar tool, be sure to wrap the component with a shop cloth or vinyl tape to protect it.
- Protect the removed parts with a shop cloth and keep them.
- Replace a deformed or damaged clip.
- If a part is specified as a non-reusable part, always replace it with new one.
- Be sure to tighten bolts and nuts securely to the specified torque.
- After re-installation is completed, be sure to check that each part works normally.
- Follow the steps below to clean components.
 - Water soluble foul: Dip a soft cloth into lukewarm water, and wring the water out of the cloth to wipe the fouled area.
Then rub with a soft and dry cloth.
 - Oily foul: Dip a soft cloth into lukewarm water with mild detergent (concentration: within 2 to 3%), and wipe the fouled area.
Then dip a cloth into fresh water, and wring the water out of the cloth to wipe the detergent off. Then rub with a soft and dry cloth.
- Never use organic solvent such as thinner, benzene, alcohol, and gasoline.
- For genuine leather seats, use a genuine leather seat cleaner.

FOR USA AND CANADA

FOR USA AND CANADA : Precaution for Supplemental Restraint System (SRS) "AIR

PRECAUTIONS

< PRECAUTION >

BAG" and "SEAT BELT PRE-TENSIONER"

INFOID:000000004232695

The Supplemental Restraint System such as "AIR BAG" and "SEAT BELT PRE-TENSIONER", used along with a front seat belt, helps to reduce the risk or severity of injury to the driver and front passenger for certain types of collision. This system includes seat belt switch inputs and dual stage front air bag modules. The SRS system uses the seat belt switches to determine the front air bag deployment, and may only deploy one front air bag, depending on the severity of a collision and whether the front occupants are belted or unbelted. Information necessary to service the system safely is included in the "SRS AIRBAG" and "SEAT BELT" of this Service Manual.

WARNING:

- **To avoid rendering the SRS inoperative, which could increase the risk of personal injury or death in the event of a collision which would result in air bag inflation, all maintenance must be performed by an authorized NISSAN/INFINITI dealer.**
- **Improper maintenance, including incorrect removal and installation of the SRS, can lead to personal injury caused by unintentional activation of the system. For removal of Spiral Cable and Air Bag Module, see the "SRS AIRBAG".**
- **Never use electrical test equipment on any circuit related to the SRS unless instructed to in this Service Manual. SRS wiring harnesses can be identified by yellow and/or orange harnesses or harness connectors.**

FOR USA AND CANADA : Service Notice

INFOID:000000004232696

- When removing or installing various parts, place a cloth or padding onto the vehicle body to prevent scratches.
- Handle trim, molding, instruments, grille, etc. carefully during removing or installing. Be careful not to oil or damage them.
- Apply sealing compound where necessary when installing parts.
- When applying sealing compound, be careful that the sealing compound does not protrude from parts.
- When replacing any metal parts (for example body outer panel, members, etc.), be sure to take rust prevention measures.

FOR USA AND CANADA : Precaution for Work

INFOID:000000004232697

- When removing or disassembling each component, be careful not to damage or deform it. If a component may be subject to interference, be sure to protect it with a shop cloth.
- When removing (disengaging) components with a screwdriver or similar tool, be sure to wrap the component with a shop cloth or vinyl tape to protect it.
- Protect the removed parts with a shop cloth and keep them.
- Replace a deformed or damaged clip.
- If a part is specified as a non-reusable part, always replace it with new one.
- Be sure to tighten bolts and nuts securely to the specified torque.
- After re-installation is completed, be sure to check that each part works normally.
- Follow the steps below to clean components.
 - Water soluble foul: Dip a soft cloth into lukewarm water, and wring the water out of the cloth to wipe the fouled area.
Then rub with a soft and dry cloth.
 - Oily foul: Dip a soft cloth into lukewarm water with mild detergent (concentration: within 2 to 3%), and wipe the fouled area.
Then dip a cloth into fresh water, and wring the water out of the cloth to wipe the detergent off. Then rub with a soft and dry cloth.
- Never use organic solvent such as thinner, benzene, alcohol, and gasoline.
- For genuine leather seats, use a genuine leather seat cleaner.

PREPARATION

< PREPARATION >

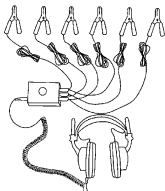
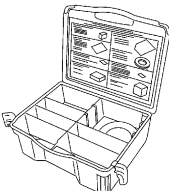
PREPARATION

PREPARATION

Special Service Tools

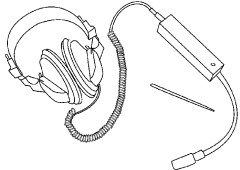
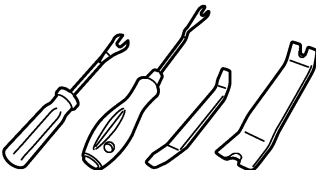
INFOID:000000004232698

The actual shapes of Kent-Moore tools may differ from those of special service tools illustrated here.

Tool number (Kent-Moore No.) Tool name	Description
<p>(J-39570) Chassis ear</p>  <p style="text-align: right;">SIIA0993E</p>	<p>Locates the noise</p>
<p>(J-43980) NISSAN Squeak and Rattle Kit</p>  <p style="text-align: right;">SIIA0994E</p>	<p>Repairs the cause of noise</p>

Commercial Service Tool

INFOID:000000004232699

Tool name	Description
<p>Engine ear</p>  <p style="text-align: right;">SIIA0995E</p>	<p>Locates the noise</p>
<p>Remover tool</p>  <p style="text-align: right;">JMKIA3050ZZ</p>	<p>Removes the clips pawls and metal clips</p>

SUNROOF

< ON-VEHICLE REPAIR >

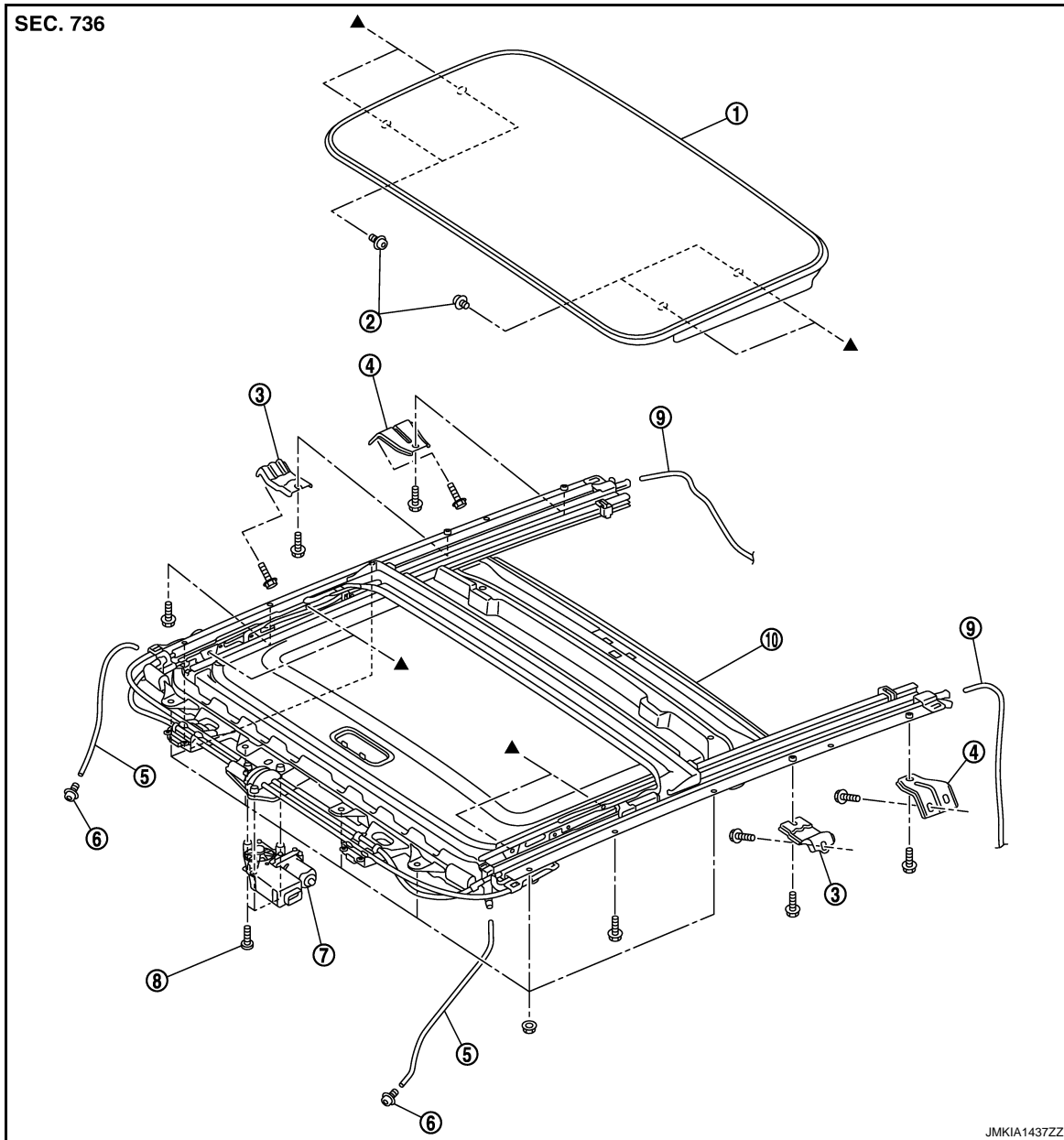
ON-VEHICLE REPAIR

SUNROOF

GLASS LID

GLASS LID : Exploded View

INFOID:000000004232700



- | | | |
|---------------------------------|----------------------|----------------------------------|
| 1. Glass lid | 2. TORX bolt | 3. Sunroof front bracket (LH/RH) |
| 4. Sunroof rear bracket (LH/RH) | 5. Drain hose(front) | 6. Drain connector |
| 7. Sunroof motor assembly | 8. TORX bolt | 9. Drain hose(rear) |
| 10. Sunroof unit assembly | | |

GLASS LID : Removal and Installation

INFOID:000000004232701

REMOVAL

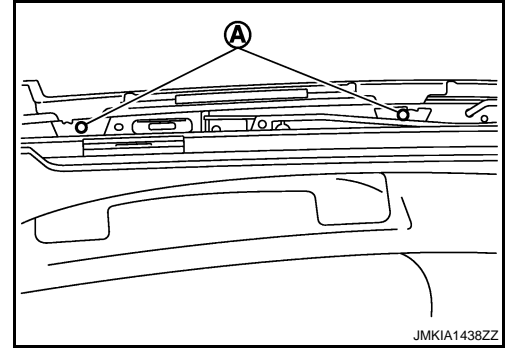
CAUTION:

Always work with a helper.

SUNROOF

< ON-VEHICLE REPAIR >

1. Remove the side trim upper side, and then fold the side trim so that the TORX bolt can be seen.
2. Remove the TORX bolts (A), and then remove the glass lid.



3. Remove the sunroof lid from the vehicle.

INSTALLATION

CAUTION:

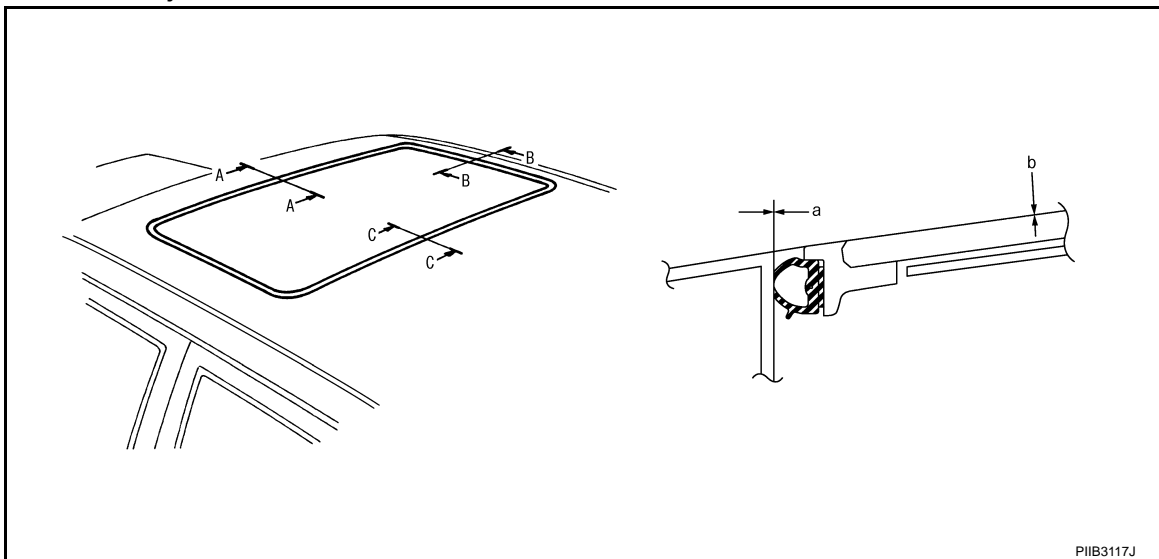
After installing the glass lid, perform the leak test and check that there is no malfunction.

NOTE:

After installation carry out fitting adjustment. Refer to [RF-59, "GLASS LID : Adjustment"](#).
Install in the reverse order of removal.

GLASS LID : Adjustment

INFOID:000000004232702



LID WEATHERSTRIP OVERLAP ADJUSTMENT AND SURFACE MISMATCH ADJUSTMENT

1. Remove the side trim upper side, and then fold the side trim so that the TORX bolt can be seen.
2. After loosening glass lid from TORX bolts (left and right), tilt down glass lid.
3. Adjust glass lid from outside of vehicle so it resembles "A – A" "B – B" "C – C" as shown in the figure.

	a	b
A – A	0.5 – 1.9 mm (0.020 – 0.075 in)	–1.5 – 1.5 mm (–0.059 – 0.059 in)
B – B	0.5 – 1.9 mm (0.020 – 0.075 in)	–1.5 – 1.5 mm (–0.059 – 0.059 in)
C – C	0.5 – 1.9 mm (0.020 – 0.075 in)	–1.5 – 1.5 mm (–0.059 – 0.059 in)

4. To prevent glass lid from moving after adjustment, first tighten the TORX bolts of front left, and then tighten the TORX bolts of rear right.
5. Tighten remaining TORX bolts, being careful to prevent glass lid from moving.
6. Tilt glass lid up and down several times to check that it moves smoothly.

NOTE:

SUNROOF

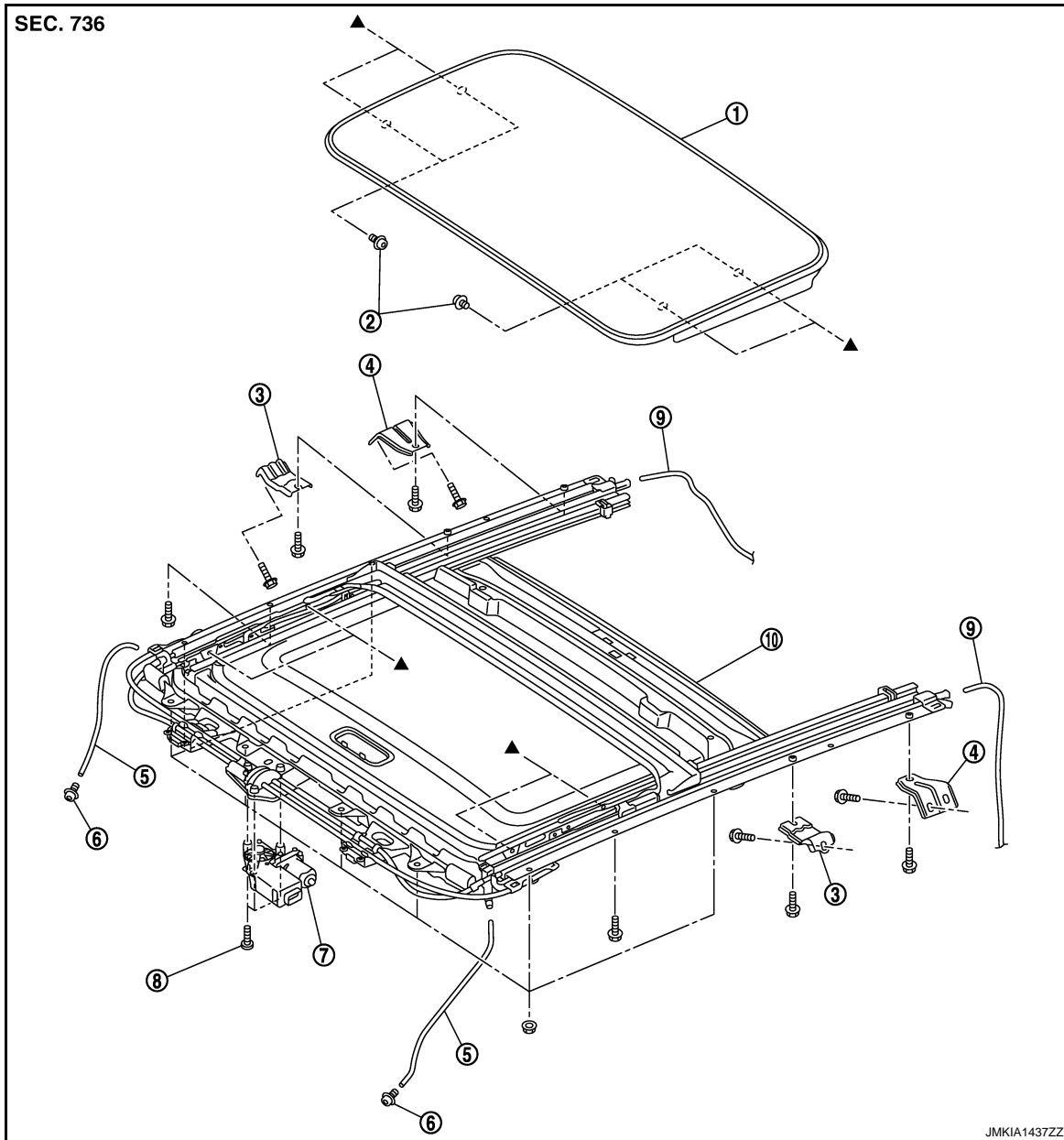
< ON-VEHICLE REPAIR >

After adjustment the sunroof unit assembly, perform additional service. Refer to [RF-4. "ADDITIONAL SERVICE WHEN REMOVING BATTERY NEGATIVE TERMINAL : Special Repair Requirement"](#).

SUNROOF MOTOR ASSEMBLY

SUNROOF MOTOR ASSEMBLY : Exploded View

INFOID:000000004232703



- | | | |
|---------------------------------|----------------------|----------------------------------|
| 1. Glass lid | 2. TORX bolt | 3. Sunroof front bracket (LH/RH) |
| 4. Sunroof rear bracket (LH/RH) | 5. Drain hose(front) | 6. Drain connector |
| 7. Sunroof motor assembly | 8. TORX bolt | 9. Drain hose(rear) |
| 10. Sunroof unit assembly | | |

SUNROOF MOTOR ASSEMBLY : Removal and Installation

INFOID:000000004232704

REMOVAL

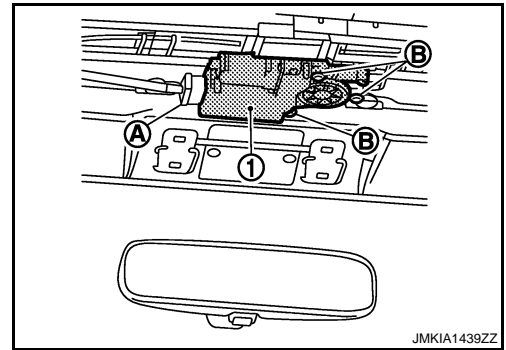
CAUTION:

- Before removing sunroof motor, check that glass lid is fully closed.
- After removing sunroof motor, never attempt to rotate sunroof motor assembly as a single unit.

SUNROOF

< ON-VEHICLE REPAIR >

1. Remove the headlining. Refer to [INT-26. "SUNROOF : Removal and Installation"](#).
2. Disconnect connector (A) and from sunroof motor assembly. Remove sunroof motor assembly mounting TORX bolts (B), and then remove sunroof motor assembly (1).



INSTALLATION

CAUTION:

Before installing the sunroof motor assembly, be sure to place the link and wire assembly in the symmetrical and fully closed position.

1. Move the sunroof motor assembly laterally by little so that the gear is completely engaged into the wire on the sunroof unit assembly and mounting surface becomes parallel. Then secure the sunroof motor assembly with TORX bolts.
2. Install the headlining. Refer to [INT-26. "SUNROOF : Removal and Installation"](#).

SUNROOF UNIT ASSEMBLY

SUNROOF UNIT ASSEMBLY : Exploded View

INFOID:000000004232705

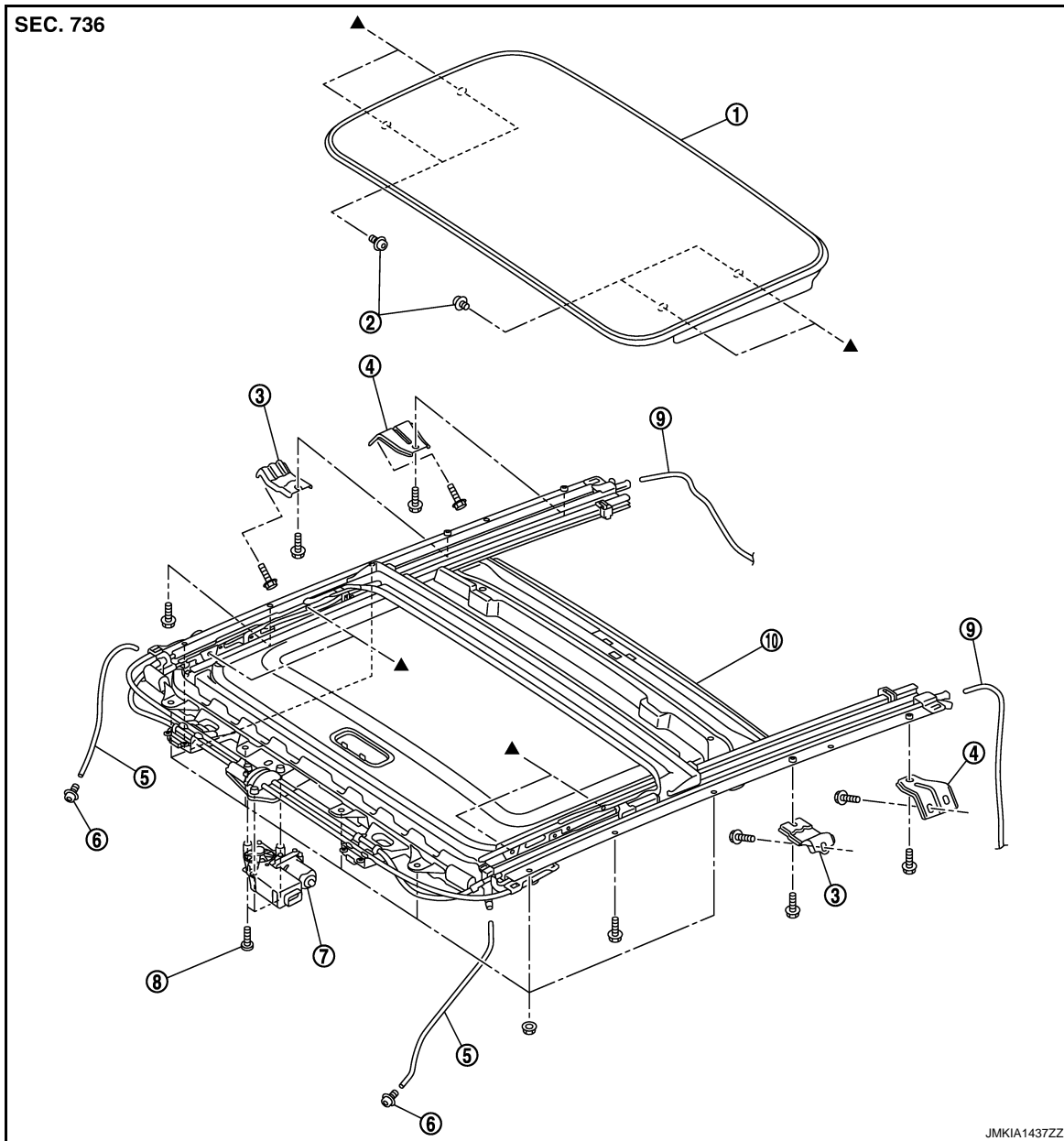
REMOVAL

A
B
C
D
E
F
G
H
I
J
L
M
N
O
P

RF

SUNROOF

< ON-VEHICLE REPAIR >

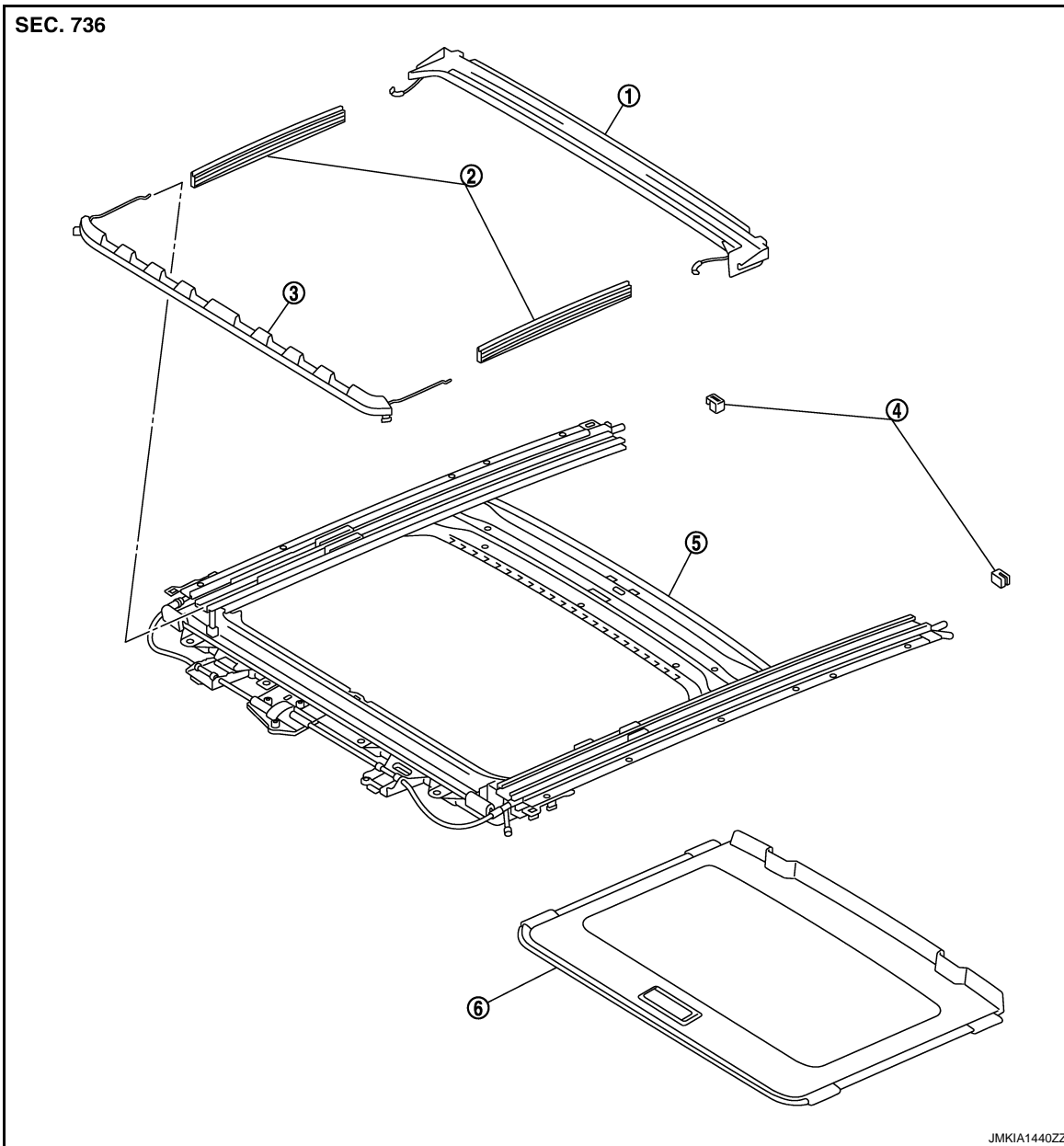


- | | | |
|---------------------------------|-----------------------|----------------------------------|
| 1. Glass lid | 2. TORX bolt | 3. Sunroof front bracket (LH/RH) |
| 4. Sunroof rear bracket (LH/RH) | 5. Drain hose (front) | 6. Drain connector |
| 7. Sunroof motor assembly | 8. TORX bolt | 9. Drain hose (rear) |
| 10. Sunroof unit assembly | | |

DISASSEMBLY

SUNROOF

< ON-VEHICLE REPAIR >



- | | | |
|-----------------------------|----------------------|-------------------|
| 1. Rear drain | 2. Side trim (LH/RH) | 3. Wind deflector |
| 4. Sunshade stopper (LH/RH) | 5. Sunroof frame | 6. Sunshade |

SUNROOF UNIT ASSEMBLY : Removal and Installation

INFOID:000000004232706

REMOVAL

CAUTION:

- Always work with a helper.
- Fully close the glass lid, before removal, then never operate sunroof motor assembly after removal.
- When taking sunroof unit assembly out, use cloths to protect the seats and trim from damage.

1. Remove the headlining. Refer to [INT-26, "SUNROOF : Removal and Installation"](#).
2. Remove the glass lid. Refer to [RF-58, "GLASS LID : Removal and Installation"](#).
3. Remove the sunroof motor assembly. Refer to [RF-60, "SUNROOF MOTOR ASSEMBLY : Removal and Installation"](#)
4. Disconnect drain hoses.
5. Remove the sunroof front brackets (LH/RH).
6. Remove the sunroof rear brackets (LH/RH).

A
B
C
D
E
F
G
H
I
J

RF

L

M

N

O

P

SUNROOF

< ON-VEHICLE REPAIR >

7. Remove nuts from the front end and side rail, and then remove sunroof unit assembly from roof panel.
8. Remove sunroof unit assembly through the back door while being careful not to damage the seats and trim.

INSTALLATION

CAUTION:

After installing the sunroof unit assembly and glass lid, perform the leak test and check that there is no malfunction.

1. Temporarily tighten the mounting bolts to the sunroof rear brackets (LH/RH).
2. Bring sunroof unit into back door, and then place the rear end of the rail onto the sunroof brackets.
3. Temporarily tighten the mounting nuts to the front end of sunroof unit assembly.
4. Temporarily tighten the mounting bolts to the sunroof front and rear brackets (LH/RH)
5. Tighten the installation points diagonally excluding the installation point of the sunroof bracket around the roof opening.
6. Tighten the mounting nuts to the front end and side rail.
7. Tighten the sunroof bracket bolts of the vehicle side, and then tighten the bolt of the rail side.
8. Connect drain hoses.
9. Install the glass lid. Refer to [RF-58, "GLASS LID : Removal and Installation"](#).

NOTE:

After installation, carry out fitting adjustment. Refer to [RF-59, "GLASS LID : Adjustment"](#).

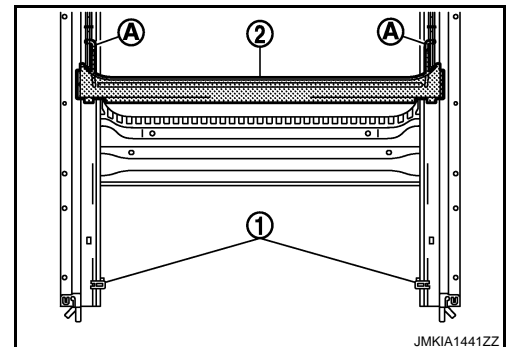
10. Install the headlining. Refer to [INT-26, "SUNROOF : Removal and Installation"](#).

SUNROOF UNIT ASSEMBLY : Disassembly and Assembly

INFOID:000000004232707

DISASSEMBLY

1. Remove sunshade stopper (1) (LH/RH) from the rear end of sunroof frame.
2. Remove sunshade from the rear end of sunroof frame.
3. Remove the rear drain linkage (A) from the sunroof frame.
4. Remove the rear drain (2) from the rear end of sunroof frame.
5. Remove the side trim (LH/RH) from the rear end of sunroof frame.



ASSEMBLY

Assemble in the reverse order of disassembly.

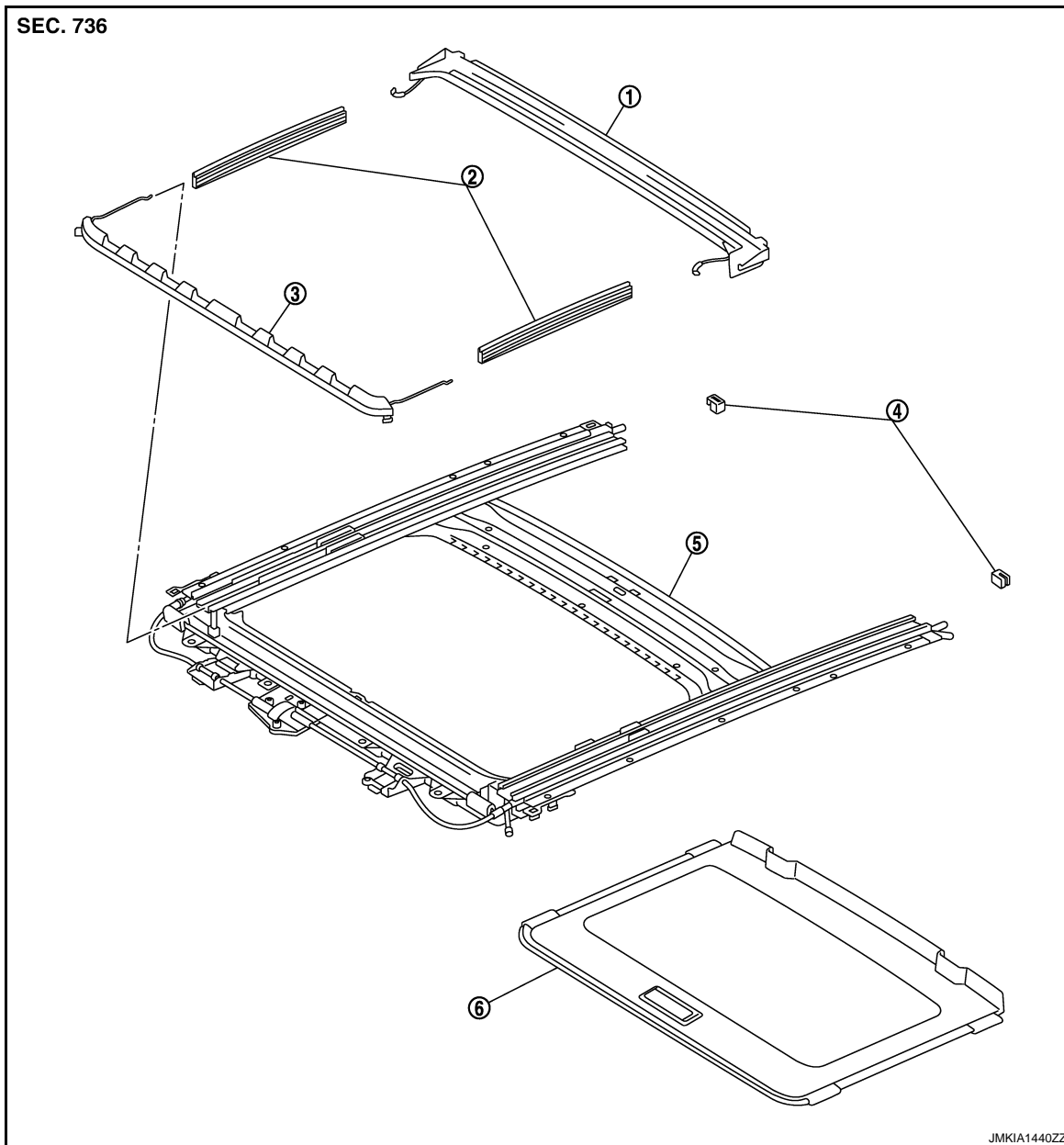
SUNSHADE

SUNROOF

< ON-VEHICLE REPAIR >

SUNSHADE : Exploded View

INFOID:000000004232708



- | | | |
|-----------------------------|----------------------|-------------------|
| 1. Rear drain | 2. Side trim (LH/RH) | 3. Wind deflector |
| 4. Sunshade stopper (LH/RH) | 5. Sunroof frame | 6. Sunshade |

SUNSHADE : Removal and Installation

INFOID:000000004232709

REMOVAL

1. Remove the headlining. Refer to [INT-26. "SUNROOF : Removal and Installation"](#).
2. Remove the sunshade stopper (LH/RH) from the sunroof frame end.
3. Remove the sunshade from the rear end of sunroof frame.

INSTALLATION

Install in the reverse order of removal.

WIND DEFLECTOR

A
B
C
D
E
F
G
H
I
J

RF

L
M

N

O

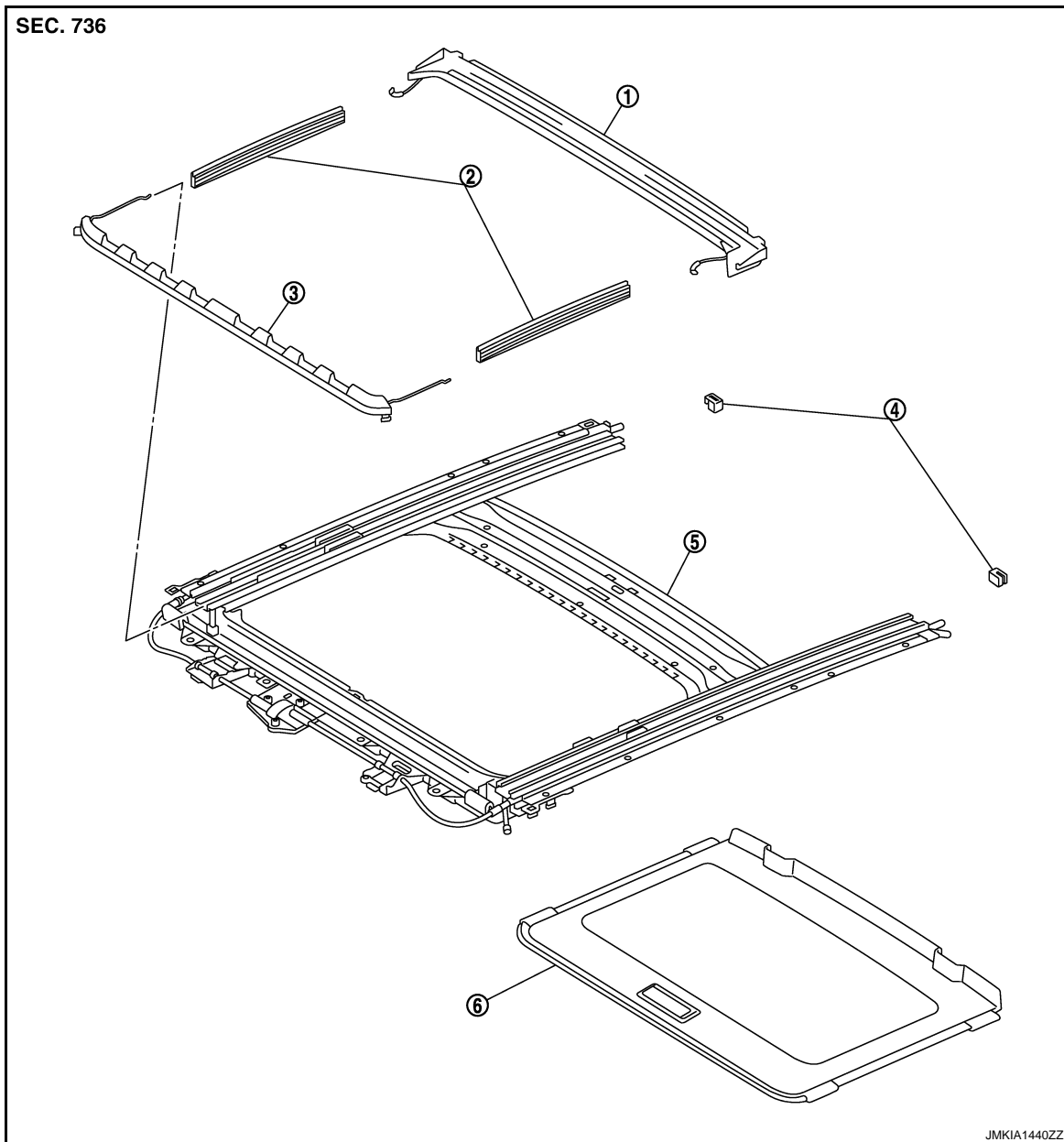
P

SUNROOF

< ON-VEHICLE REPAIR >

WIND DEFLECTOR : Exploded View

INFOID:000000004232710



- | | | |
|-----------------------------|----------------------|-------------------|
| 1. Rear drain | 2. Side trim (LH/RH) | 3. Wind deflector |
| 4. Sunshade stopper (LH/RH) | 5. Sunroof frame | 6. Sunshade |

WIND DEFLECTOR : Removal and Installation

INFOID:000000004232711

Removal

1. Open the glass lid to see the wind deflector installation point on the sun roof slide rail.
2. Move the wind deflector from under the roof panel to upper the roof panel.
3. Remove the wind deflector from the vehicle.

Installation

Install in the reverse order of removal.

SUNROOF SWITCH

SUNROOF

< ON-VEHICLE REPAIR >

SUNROOF SWITCH : Exploded View

INFOID:000000004232712

Refer to [JNL-68, "Exploded View"](#).

SUNROOF SWITCH : Removal and Installation

INFOID:000000004232713

Removal

Remove the sunroof switch. Refer to [JNL-68, "Removal and Installation"](#).

Installation

Install in the reverse order of removal.

A

B

C

D

E

F

G

H

I

J

RF

L

M

N

O

P