

SECTION **SE**
SEAT

A
B
C
D
E
F
G
H
I
SE
K
L
M
N
O
P

CONTENTS

SYSTEM DESCRIPTION	2	FOR MEXICO : Service Notice	21
POWER SEAT	2	FOR MEXICO : Precaution for Work	21
System Description	2	FOR USA AND CANADA	22
Component Parts Location	2	FOR USA AND CANADA : Precaution for Supplemental Restraint System (SRS) "AIR BAG" and "SEAT BELT PRE-TENSIONER"	22
Component Description	2	FOR USA AND CANADA : Service Notice	22
HEATED SEAT	4	FOR USA AND CANADA : Precaution for Work	22
System Description	4	PREPARATION	24
Component Parts Location	4	PREPARATION	24
Component Description	4	Special Service Tool	24
DTC/CIRCUIT DIAGNOSIS	5	Commercial Service Tool	24
POWER SEAT	5	REMOVAL AND INSTALLATION	25
Wiring Diagram - POWER SEAT FOR DRIVER SIDE -	5	FRONT SEAT	25
HEATED SEAT	10	Exploded View	25
Wiring Diagram - HEATED SEAT -	10	Removal and Installation	30
SYMPTOM DIAGNOSIS	15	Disassembly and Assembly	30
SQUEAK AND RATTLE TROUBLE DIAGNOSES	15	REAR SEAT	37
Work Flow	15	Exploded View	37
Inspection Procedure	17	Removal and Installation	38
Diagnostic Worksheet	19	Disassembly and Assembly	39
PRECAUTION	21	POWER SEAT SWITCH	41
PRECAUTIONS	21	Exploded View	41
FOR MEXICO	21	Removal and Installation	41
FOR MEXICO : Precaution for Supplemental Restraint System (SRS) "AIR BAG" and "SEAT BELT PRE-TENSIONER"	21	HEATED SEAT SWITCH	42
		Exploded View	42
		Removal and Installation	42

POWER SEAT

< SYSTEM DESCRIPTION >

SYSTEM DESCRIPTION

POWER SEAT

System Description

INFOID:000000006201367

BCM can operate regardless of the ignition switch position, because battery power is supplied at all times to power seat switch and side support unit.

SLIDING OPERATION

While operating the sliding switch located in power seat switch, sliding motor operates and makes possible the seat front and back position adjustment.

RECLINING OPERATION

While operating the reclining switch located in power seat switch, reclining motor operates and makes possible the seat back forward and backward position adjustment.

LIFTING OPERATION

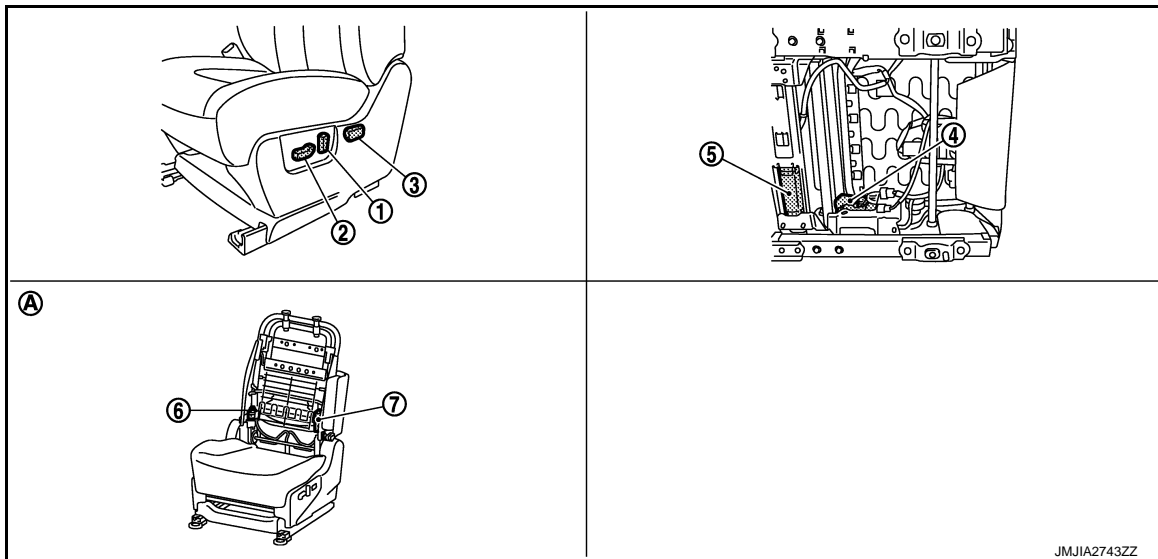
While operating the lifting switch located in power seat switch, lifting motor operates and makes possible the seat cushion up and down position adjustment.

LUMBAR SUPPORT OPERATION

- Lumbar support can operate regardless of the ignition switch position because battery power is supplied to it at all times.
- While operating the lumbar support switch, lumbar support motor operates which allows forward and backward operation of seatback support.

Component Parts Location

INFOID:000000006201368



- | | | |
|---|--------------------------|-------------------------------|
| 1. Sliding switch and lifting switch B402 | 2. Reclining switch B402 | 3. Lumbar support switch B427 |
| 4. Lifting motor B406 | 5. Sliding motor B404 | 6. Reclining motor B405 |
| 7. Lumbar support motor B428 | | |
- A. View with seat cushion pad and seat back pad are removed.

Component Description

INFOID:000000006201369

Item	Function
BCM	Supplies at all times the power received from battery to power seat switch and side support unit.
Power seat switch	Built-in reclining switch, sliding switch and lifting switch, controls the power supplied to each motor.
Reclining motor	With the power supplied to power seat switch, operates the forward and backward movement of seatback.

POWER SEAT

< SYSTEM DESCRIPTION >

Item	Function
Sliding motor	With the power supplied to power seat switch, operates the forward and backward slide of seat.
Lifting motor (front/rear)	With the power supplied to power seat switch, operates the up and down movement of seat cushion.
Lumbar support switch	Controls the power supported to lumbar support motor.
Lumbar support motor	With the power supplied from lumbar support switch, operates the forward and backward movement of seatback support device

A

B

C

D

E

F

G

H

I

SE

K

L

M

N

O

P

HEATED SEAT

< SYSTEM DESCRIPTION >

HEATED SEAT

System Description

INFOID:000000006201370

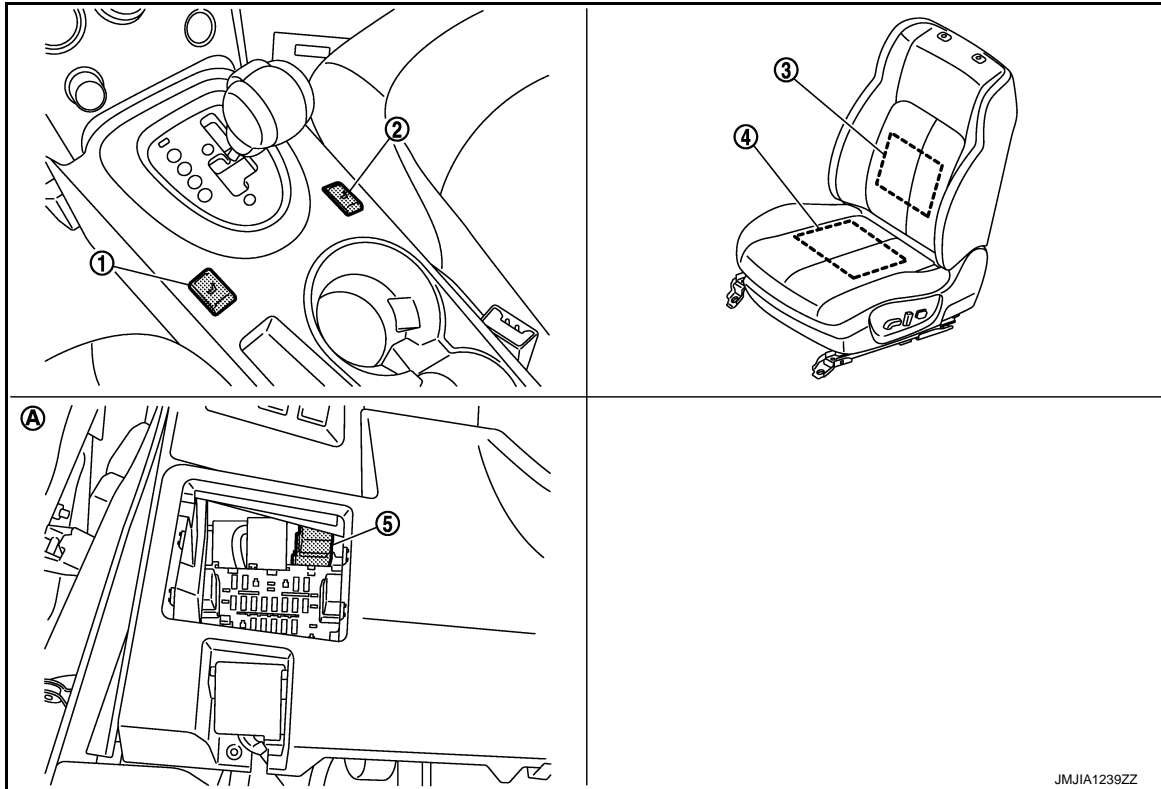
Heated seat is a system that operates when ignition switch is in ON or START position.

HEATER OPERATION

- While operating the heated seat switch, seat cushion heater and seat back heater operate.
- Temperature of seat can be adjusted by operating on heated seat switch.

Component Parts Location

INFOID:000000006201371



JMJIA1239ZZ

- | | | |
|--|---------------------------------|--------------------------|
| 1. Heated seat switch (LH) M202 | 2. Heated seat switch (RH) M203 | 3. Seat back heater unit |
| 4. Seat cushion heater unit | 5. Heated seat relay | |
| A. Over the instrument lower panel (driver side) | | |

Component Description

INFOID:000000006201372

Item	Function
Heated seat switch	<ul style="list-style-type: none"> • Power is supplied to each heater. • Depending on LOW/HIGH position of switch, operating heater number is changeable.
Seat cushion heater	Built-in seat cushion, the heater operates with the power supplied by heater seat switch.
Seat back heater	Built-in seatback, the heater operates with the power supplied by heater seat switch.

POWER SEAT

< DTC/CIRCUIT DIAGNOSIS >

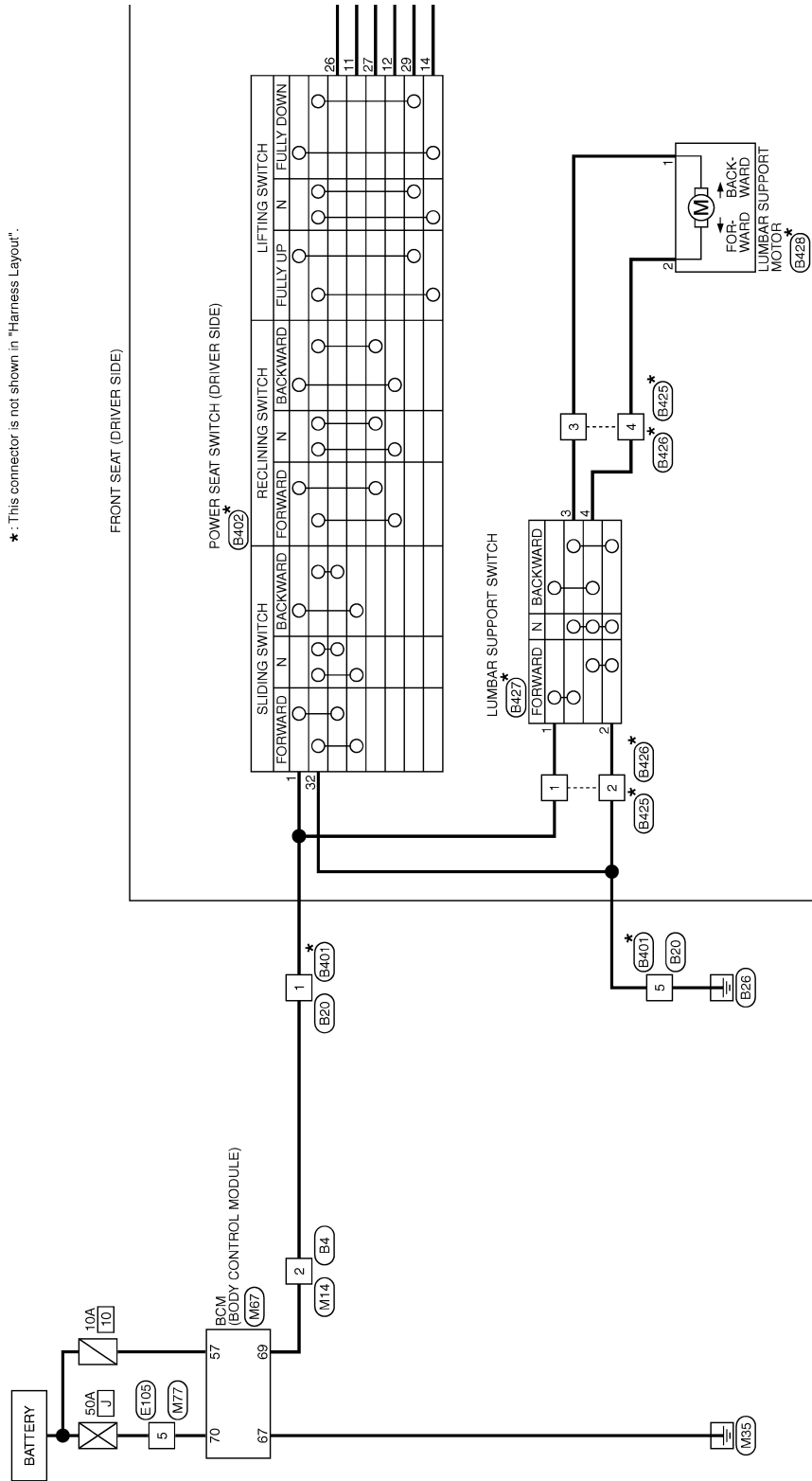
DTC/CIRCUIT DIAGNOSIS

POWER SEAT

Wiring Diagram - POWER SEAT FOR DRIVER SIDE -

INFOID:000000006201373

POWER SEAT FOR DRIVER SIDE



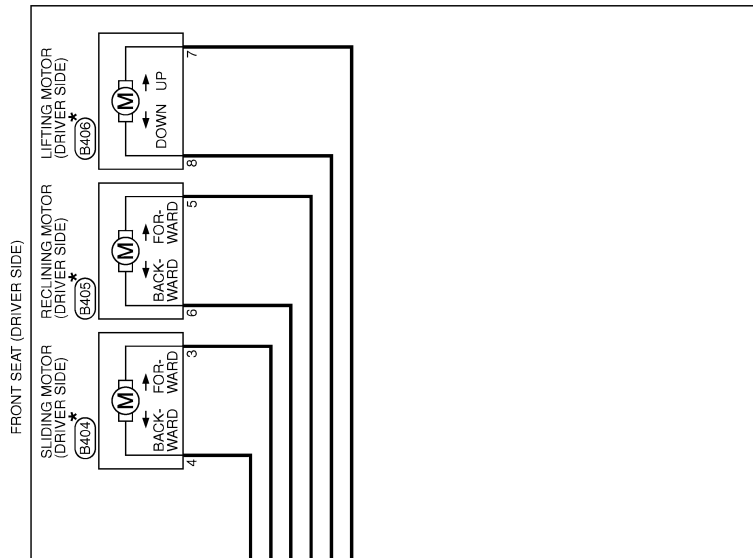
*: This connector is not shown in "Harness Layout".

A
B
C
D
E
F
G
H
I
SE
K
L
M
N
O
P

POWER SEAT

< DTC/CIRCUIT DIAGNOSIS >

* : This connector is not shown in "Harness Layout".



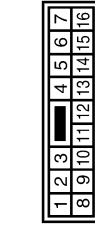
JCJWM0603GB

POWER SEAT

< DTC/CIRCUIT DIAGNOSIS >

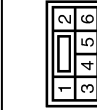
POWER SEAT FOR DRIVER SIDE

Connector No.	B4
Connector Name	WIRE TO WIRE
Connector Type	NS16MW-CS



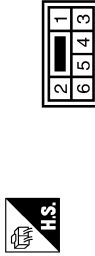
Terminal No.	Color of Wire	Signal Name [Specification]
1	R	-
2	P	-
3	V	-
5	LG	-
6	Y	-
7	SB	-
8	L	-
9	W	-
10	O	-
11	L	-
12	BR	-
14	G	-
15	BR	-
16	W	-

Connector No.	B20
Connector Name	WIRE TO WIRE
Connector Type	NS08PW-CS



Terminal No.	Color of Wire	Signal Name [Specification]
1	P	-
2	BR	-
3	O	-
4	W	-
5	B	-
6	B	-

Connector No.	B401
Connector Name	WIRE TO WIRE
Connector Type	NS06MH-CS



Terminal No.	Color of Wire	Signal Name [Specification]
1	R	-
2	W/G	-
3	L/B	-
4	L/R	-
5	B	-
6	GR	-

Connector No.	B402
Connector Name	POWER SEAT SWITCH (DRIVER SIDE)
Connector Type	NS10PW-CS



Terminal No.	Color of Wire	Signal Name [Specification]
1	R	-
11	G	-
12	V	-
14	L	-
26	G/R	-
27	R/L	-
29	L/W	- [With heated seat]
29	L/Y	- [Without heated seat]
32	B	-

Connector No.	B404
Connector Name	SLIDING MOTOR (DRIVER SIDE)
Connector Type	F 6098-0344



Terminal No.	Color of Wire	Signal Name [Specification]
3	G	-
4	G/R	-

Connector No.	B405
Connector Name	RECLINING MOTOR (DRIVER SIDE)
Connector Type	F 6098-0239



Terminal No.	Color of Wire	Signal Name [Specification]
5	V	-
6	R/L	-

Connector No.	B406
Connector Name	LIFTING MOTOR (DRIVER SIDE)
Connector Type	F 6098-0239



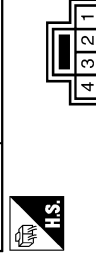
Terminal No.	Color of Wire	Signal Name [Specification]
7	L	-
8	L/W	- [With heated seat]

Connector No.	8
Connector Name	- [Without heated seat]



Terminal No.	Color of Wire	Signal Name [Specification]
1	W	-
2	LG	-
3	V	-
4	Y	-

Connector No.	B426
Connector Name	WIRE TO WIRE
Connector Type	NS04MR-CS



Terminal No.	Color of Wire	Signal Name [Specification]
1	W	-
2	LG	-
3	V	-
4	Y	-

A
B
C
D
E
F
G
H
I
SE
K
L
M
N
O
P

POWER SEAT

< DTC/CIRCUIT DIAGNOSIS >

POWER SEAT FOR DRIVER SIDE

Connector No.	B427
Connector Name	LUMBAR SUPPORT SWITCH
Connector Type	NS4AFB-CS



Terminal No.	Color of Wire	Signal Name [Specification]
1	W	-
2	LG	-
3	V	-
4	Y	-

Connector No.	B428
Connector Name	LUMBAR SUPPORT MOTOR
Connector Type	YAZAKI 7283-1020



Terminal No.	Color of Wire	Signal Name [Specification]
1	V	-
2	Y	-

Connector No.	E105
Connector Name	WIRE TO WIRE
Connector Type	TH80FW-CS18-TM4



Terminal No.	Color of Wire	Signal Name [Specification]
-	-	-

1	W	-
2	O	-
3	LG	-
4	V	-
5	Y	-
6	G	-
7	R	-
8	GR	-
9	BR	-
10	L	-
11	GR	-
12	P	-
14	L	-
15	V	-
19	R	-
20	P	-
21	L	-
22	L	-
24	LG	-
25	SB	-
30	SB	-
31	BR	-
42	Y	-
43	SHIELD	-
51	L	-
52	W	-
53	BR	-
54	Y	-
60	O	-
61	BR	-
62	R	-
63	P	-
69	G	-
70	B	-
71	O	-
72	LG	-
76	L	-
78	Y	-
80	Y	-
81	W	-
82	R	-
83	L	-
88	BR	-
89	R	-
90	GR	-
91	R	-
92	O	-
93	BR	-
94	W	-
96	BR	-
97	G	-
99	SB	-

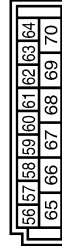
100	L	-
-----	---	---

Connector No.	M14
Connector Name	WIRE TO WIRE
Connector Type	MS16FW-CS



Terminal No.	Color of Wire	Signal Name [Specification]
1	LG	-
2	P	-
3	V	-
5	GR	-
6	R	-
7	SB	-
8	V	-
9	W	-
10	O	-
11	L	-
12	Y	-
14	G	-
15	BR	-
16	V	-

Connector No.	M67
Connector Name	BCM (BODY CONTROL MODULE)
Connector Type	FEA09FB-FHA6-SA



Terminal No.	Color of Wire	Signal Name [Specification]
56	Y	BATTERY SAVER OUTPUT
57	G	BAT FUSE
59	L	D/L UNLOCK DR
60	BR	FLASHER OUT PUT (LEFT)
61	GR	FLASHER OUT PUT (RIGHT)

63	R	ROOM LAMP OUTPUT
65	V	D/L LOCK ALL
66	G	D/L UNLOCK OTHER
67	B	CLUD
68	L	POWER WDW OUTPUT (RAP)
69	P	POWER WDW OUTPUT (BAT)
70	Y	BAT FL

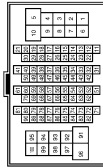
POWER SEAT

< DTC/CIRCUIT DIAGNOSIS >

A
B
C
D
E
F
G
H
I
SE
K
L
M
N
O
P

POWER SEAT FOR DRIVER SIDE

Connector No.	M77
Connector Name	WIRE TO WIRE
Connector Type	THROMW-CS-E-TM4



Terminal No.	Color of Wire	Signal Name [Specification]
1	BR	-
2	O	-
3	LG	-
4	Y	-
5	Y	-
6	G	-
7	R	-
8	GR	-
9	BR	-
10	L	-
11	GR	-
12	P	-
14	SB	-
15	V	-
19	R	-
20	P	-
21	O	-
22	L	-
24	BR	-
25	W	-
30	L	-
31	W	-
42	O	-
43	SHIELD	-
51	W	-
52	SB	-
53	L	-
54	Y	-
60	O	-
61	BR	-
62	G	-
63	P	-
69	W	-
70	B	-
71	P	-
72	O	-
78	SB	-
78	Y	-

80	L	-
81	W	-
82	B	-
83	LG	-
88	BR	-
89	G	-
90	GR	-
91	R	-
92	L	-
93	P	-
94	W	-
96	BR	-
97	G	-
99	SB	-
100	Y	-

JCJWM1627GB

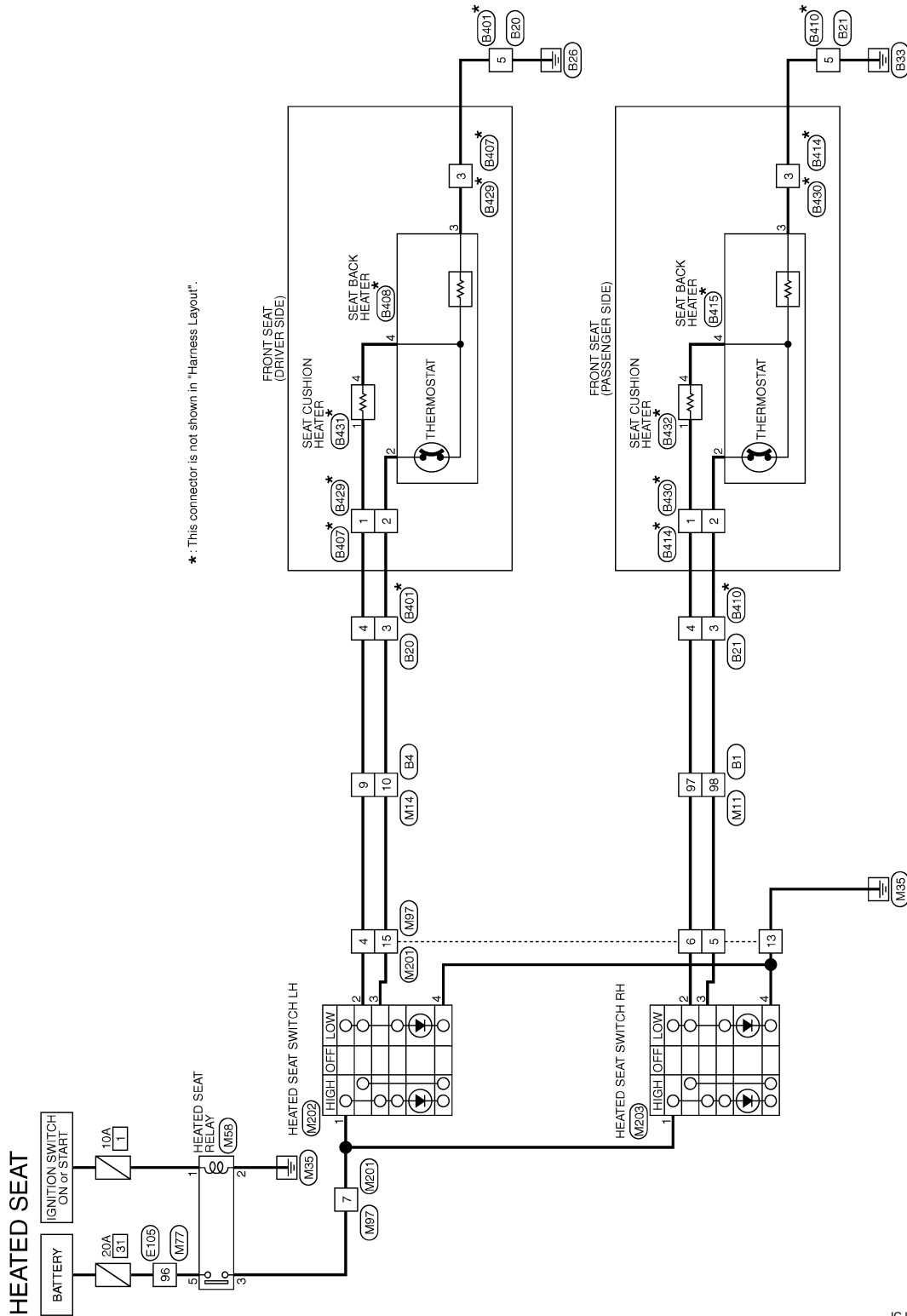
HEATED SEAT

< DTC/CIRCUIT DIAGNOSIS >

HEATED SEAT

Wiring Diagram - HEATED SEAT -

INFOID:000000006201374



2008/07/15

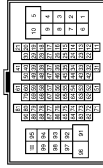
JCJWM0598GB

HEATED SEAT

< DTC/CIRCUIT DIAGNOSIS >

HEATED SEAT

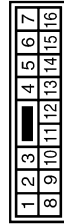
Connector No.	B1
Connector Name	WIRE TO WIRE
Connector Type	TH80MW-CS (E-TM4)



Terminal No.	Color of Wire	Signal Name [Specification]
1	W	-
2	BR	-
3	G	-
4	L	-
6	BR	-
7	Y	-
8	LG	-
9	BR	-
10	BR	-
21	R	-
35	SHIELD	-
36	R	-
37	LG	-
38	SHIELD	-
39	O	-
40	G	-
41	R	-
45	L	-
46	W	-
47	SHIELD	-
48	W	-
49	W	-
50	SHIELD	-
52	L	-
53	L	-
54	G	-
55	O	-
56	LG	-
57	SB	-
58	W	-
59	B	-
60	SB	-
62	GR	-
63	W	-
65	SHIELD	-
66	BR	-
67	LG	-

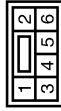
68	SB	-
69	SHIELD	-
70	W	-
71	W	-
72	Y	-
77	L	-
80	R	-
81	W	-
82	GR	-
86	Y	-
87	P	-
91	GR	-
92	R	-
93	W	-
94	G	-
95	O	-
96	Y	-
97	SB	-
98	Y	-
99	Y	-
100	L	-

Connector No.	B4
Connector Name	WIRE TO WIRE
Connector Type	NS16MW-CS



Terminal No.	Color of Wire	Signal Name [Specification]
1	R	-
2	P	-
3	V	-
5	LG	-
6	Y	-
7	SB	-
8	L	-
9	W	-
10	O	-
11	L	-
12	BR	-
14	G	-
15	BR	-
16	W	-

Connector No.	B20
Connector Name	WIRE TO WIRE
Connector Type	NS98FW-CS



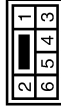
Terminal No.	Color of Wire	Signal Name [Specification]
1	P	-
2	BR	-
3	O	-
4	W	-
5	B	-
6	B	-

Connector No.	B21
Connector Name	WIRE TO WIRE
Connector Type	NS98FW-CS



Terminal No.	Color of Wire	Signal Name [Specification]
2	LG	-
3	Y	-
4	SB	-
5	B	-
6	B	-

Connector No.	B401
Connector Name	WIRE TO WIRE
Connector Type	NS93MM-CS



Terminal No.	Color of Wire	Signal Name [Specification]
1	R	-
2	W/G	-
3	L/B	-
4	L/R	-
5	B	-
6	GR	-

Connector No.	B407
Connector Name	WIRE TO WIRE
Connector Type	NS93MM-CS



Terminal No.	Color of Wire	Signal Name [Specification]
1	L/R	-
2	L/B	-
3	L/Y	-

JCJWM1621GB

A
B
C
D
E
F
G
H
I
SE
K
L
M
N
O
P

HEATED SEAT

< DTC/CIRCUIT DIAGNOSIS >

4	W/G	-	-

HEATED SEAT

Connector No.	B408
Connector Name	SEAT BACK HEATER (DRIVER SIDE)
Connector Type	NS03MW-CS

Terminal No.	Color of Wire	Signal Name [Specification]
1	L/B	-
2	L/B	-
3	L/Y	-
4	W/G	-

Connector No.	B410
Connector Name	WIRE TO WIRE
Connector Type	NS08MW-CS

Terminal No.	Color of Wire	Signal Name [Specification]
2	W/G	-
3	L/B	-
4	L/R	-
5	L/Y	-
6	GR	-

Terminal No.	Color of Wire	Signal Name [Specification]
1	L/R	-
2	L/B	-
3	L/Y	-

Connector No.	B415
Connector Name	SEAT BACK HEATER (PASSENGER SIDE)
Connector Type	NS03MW-CS

Terminal No.	Color of Wire	Signal Name [Specification]
1	L/B	-
2	L/Y	-
3	L/Y	-

Terminal No.	Color of Wire	Signal Name [Specification]
2	L/B	-
3	L/Y	-
4	W/G	-

Connector No.	B429
Connector Name	WIRE TO WIRE
Connector Type	NS03FW-CS

Terminal No.	Color of Wire	Signal Name [Specification]
1	L/R	-
2	L/R	-
3	L/Y	-

Terminal No.	Color of Wire	Signal Name [Specification]
1	L/R	-
2	L/B	-
3	L/Y	-

Connector No.	B431
Connector Name	SEAT CUSHION HEATER (DRIVER SIDE)
Connector Type	NS02FW-CS

Terminal No.	Color of Wire	Signal Name [Specification]
1	L/R	-
2	L/B	-
3	L/Y	-

Terminal No.	Color of Wire	Signal Name [Specification]
1	L/R	-
4	W/G	-

Terminal No.	Color of Wire	Signal Name [Specification]
1	L/R	-
2	L/B	-
3	L/Y	-

Terminal No.	Color of Wire	Signal Name [Specification]
1	L/R	-

Connector No.	B432
Connector Name	SEAT CUSHION HEATER (PASSENGER SIDE)
Connector Type	NS02FW-CS

Terminal No.	Color of Wire	Signal Name [Specification]
1	L/R	-

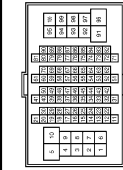
JCJWM1622GB

HEATED SEAT

< DTC/CIRCUIT DIAGNOSIS >

HEATED SEAT

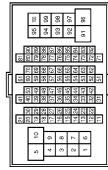
Connector No.	E105
Connector Name	WIRE TO WIRE
Connector Type	TH80PW-CS16-TM4



Terminal No.	Color of Wire	Signal Name [Specification]
1	W	
2	O	
3	LG	
4	Y	
5	V	
6	G	
7	R	
8	GR	
9	BR	
10	L	
11	GR	
12	P	
14	L	
15	V	
19	R	
20	P	
21	L	
22	L	
24	LG	
25	SB	
30	L	
31	BR	
42	Y	
43	SHIELD	
51	L	
52	W	
53	BR	
54	Y	
60	O	
61	BR	
62	R	
63	P	
69	G	
70	B	
71	O	
72	LG	
78	L	
79	V	

Terminal No.	Color of Wire	Signal Name [Specification]
80	Y	
81	W	
82	R	
83	L	
88	BR	
89	R	
90	GR	
91	R	
92	O	
93	BR	
94	W	
96	BR	
97	G	
99	SB	
100	L	

Connector No.	M11
Connector Name	WIRE TO WIRE
Connector Type	TH80PW-CS16-TM4



Terminal No.	Color of Wire	Signal Name [Specification]
1	W	
2	BR	
3	G	
4	LG	
6	P	
7	Y	
8	LG	
9	P	
10	Y	
21	R	
35	SHIELD	
36	P	
37	LG	
38	SHIELD	
39	O	
40	G	
41	R	
45	BR	
46	L	
47	SHIELD	
48	V	

Terminal No.	Color of Wire	Signal Name [Specification]
49	W	
50	SHIELD	
52	O	
53	L	
54	V	
55	Y	
56	LG	
57	SB	
58	W	
59	B	
60	SB	
62	GR	
63	BR	
65	SHIELD	
66	BR	
67	LG	
68	SB	
69	SHIELD	
70	LG	
71	O	
72	BR	
77	L	
80	R	
81	W	
82	GR	
86	Y	
87	P	
91	L	
92	B	
93	GR	
94	G	
95	O	
96	P	
97	SB	
98	GR	
99	R	
100	L	

Connector No.	M14
Connector Name	WIRE TO WIRE
Connector Type	NS16FW-CS



Terminal No.	Color of Wire	Signal Name [Specification]
1	LG	
2	P	
3	V	
5	GR	
6	R	
7	SB	
8	V	
9	W	
10	O	
11	L	
12	Y	
14	G	
15	BR	
16	V	

Connector No.	M58
Connector Name	HEATED SEAT RELAY
Connector Type	MS02PL-M2-LC



Terminal No.	Color of Wire	Signal Name [Specification]
1	W	
2	B	
3	G	
5	BR	

JCJWM1623GB

A
B
C
D
E
F
G
H
I
SE
K
L
M
N
O
P

HEATED SEAT

< DTC/CIRCUIT DIAGNOSIS >

HEATED SEAT

Connector No.	M77
Connector Name	WIRE TO WIRE
Connector Type	TH80MW-CS (F-TM4)



Terminal No.	Color of Wire	Signal Name [Specification]
1	BR	-
2	O	-
3	LG	-
4	Y	-
5	Y	-
6	G	-
7	R	-
8	GR	-
9	BR	-
10	L	-
11	GR	-
12	P	-
14	SB	-
15	V	-
19	R	-
20	P	-
21	O	-
22	L	-
24	BR	-
25	W	-
30	L	-
31	W	-
42	O	-
45	SHIELD	-
51	W	-
52	SB	-
53	L	-
54	Y	-
60	O	-
61	BR	-
62	G	-
63	P	-
69	W	-
70	B	-
71	P	-
72	O	-
78	SB	-
78	V	-

80	L	-
81	W	-
82	B	-
83	LG	-
88	BR	-
89	G	-
90	GR	-
91	R	-
92	L	-
93	P	-
94	W	-
96	BR	-
97	G	-
99	SB	-
100	Y	-

Connector No.	M87
Connector Name	WIRE TO WIRE
Connector Type	NS16FW-CS



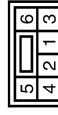
Terminal No.	Color of Wire	Signal Name [Specification]
1	P	-
2	R	-
3	V	-
4	W	-
5	GR	-
6	SB	-
7	G	-
8	B	-
9	G	-
10	Y	-
13	B	-
15	O	-
16	R	-

Connector No.	M201
Connector Name	WIRE TO WIRE
Connector Type	NS16MW-CS



Terminal No.	Color of Wire	Signal Name [Specification]
1	G	-
2	R	-
3	R	-
4	W	-
5	GR	-
6	SB	-
7	G	-
8	B	-
9	G	-
10	Y	-
13	B	-
15	O	-
16	R	-

Connector No.	M202
Connector Name	HEATED SEAT SWITCH LH
Connector Type	NS06FW-CS



Terminal No.	Color of Wire	Signal Name [Specification]
1	G	-
2	W	-
3	O	-
4	B	-
5	R	-
6	Y	-

Connector No.	M203
Connector Name	HEATED SEAT SWITCH RH
Connector Type	NS06FBR-CS



Terminal No.	Color of Wire	Signal Name [Specification]
1	G	-
2	SB	-
3	GR	-
4	B	-
5	R	-
6	Y	-

JCJWM1624GB

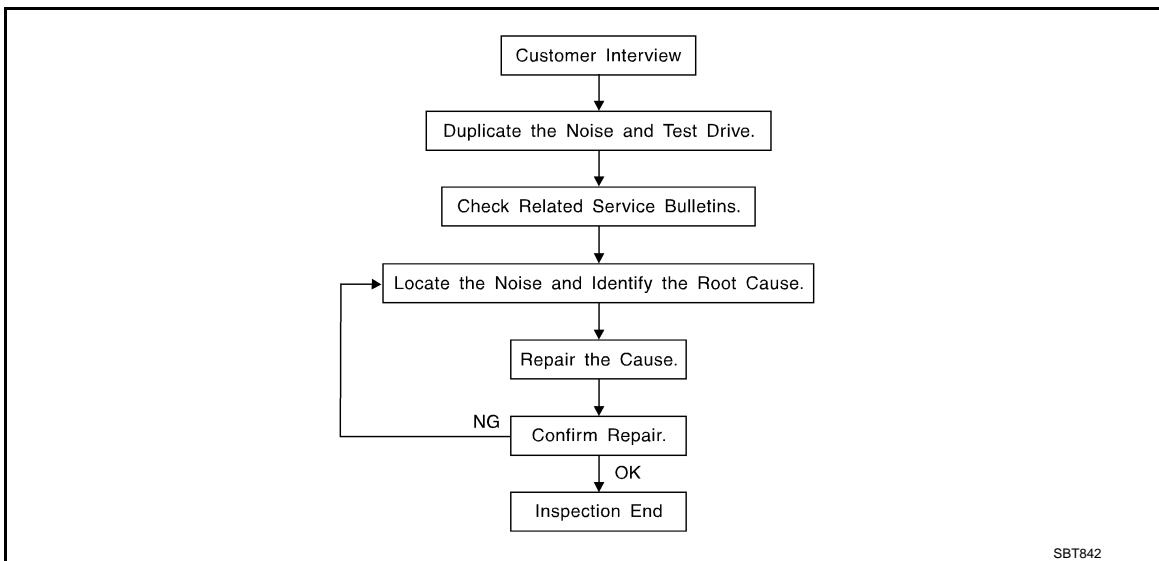
SQUEAK AND RATTLE TROUBLE DIAGNOSES

< SYMPTOM DIAGNOSIS >

SYMPTOM DIAGNOSIS

SQUEAK AND RATTLE TROUBLE DIAGNOSES

Work Flow



CUSTOMER INTERVIEW

Interview the customer if possible, to determine the conditions that exist when the noise occurs. Use the Diagnostic Worksheet during the interview to document the facts and conditions when the noise occurs and any of customer's comments; refer to [SE-19. "Diagnostic Worksheet"](#). This information is necessary to duplicate the conditions that exist when the noise occurs.

- The customer may not be able to provide a detailed description or the location of the noise. Attempt to obtain all the facts and conditions that exist when the noise occurs (or does not occur).
- If there is more than one noise in the vehicle, perform a diagnosis and repair the noise that the customer is concerned about. This can be accomplished by performing a cruise test on the vehicle with the customer.
- After identifying the type of noise, isolate the noise in terms of its characteristics. The noise characteristics are provided so the customer, service adviser and technician are all speaking the same language when defining the noise.
- Squeak – (Like tennis shoes on a clean floor)
Squeak characteristics include the light contact/fast movement/brought on by road conditions/hard surfaces = higher pitch noise/softer surfaces = lower pitch noises/edge to surface = chirping
- Creak – (Like walking on an old wooden floor)
Creak characteristics include firm contact/slow movement/twisting with a rotational movement/pitch dependent on materials/often brought on by activity.
- Rattle – (Like shaking a baby rattle)
Rattle characteristics include the fast repeated contact/vibration or similar movement/loose parts/missing clip or fastener/incorrect clearance.
- Knock – (Like a knock on a door)
Knock characteristics include hollow sounding/sometimes repeating/often brought on by driver action.
- Tick – (Like a clock second hand)
Tick characteristics include gentle contacting of light materials/loose components/can be caused by driver action or road conditions.
- Thump – (Heavy, muffled knock noise)
Thump characteristics include softer knock/dead sound often brought on by activity.
- Buzz – (Like a bumblebee)
Buzz characteristics include high frequency rattle/firm contact.
- Often the degree of acceptable noise level will vary depending up on the person. A noise that a technician may judge as acceptable may be very irritating to the customer.
- Weather conditions, especially humidity and temperature, may have a great effect on noise level.

DUPLICATE THE NOISE AND TEST DRIVE

SQUEAK AND RATTLE TROUBLE DIAGNOSES

< SYMPTOM DIAGNOSIS >

If possible, drive the vehicle with the customer until the noise is duplicated. Note any additional information on the Diagnostic Worksheet regarding the conditions or location of the noise. This information can be used to duplicate the same conditions when the repair is reconfirmed.

If the noise can be duplicated easily during the test drive, to help identify the source of the noise, try to duplicate the noise with the vehicle stopped by doing one or all of the following:

- 1) Close a door.
 - 2) Tap or push/pull around the area where the noise appears to be coming from.
 - 3) Rev the engine.
 - 4) Use a floor jack to recreate vehicle "twist".
 - 5) At idle, apply engine load (electrical load, half-clutch on M/T models, drive position on A/T models).
 - 6) Raise the vehicle on a hoist and hit a tire with a rubber hammer.
- Drive the vehicle and attempt to duplicate the conditions the customer states exist when the noise occurs.
 - If it is difficult to duplicate the noise, drive the vehicle slowly on an undulating or rough road to stress the vehicle body.

CHECK RELATED SERVICE BULLETINS

After verifying the customer concern or symptom, check ASIST for Technical Service Bulletins (TSBs) related to that concern or symptom.

If a TSB relates to the symptom, follow the procedure to repair the noise.

LOCATE THE NOISE AND IDENTIFY THE ROOT CAUSE

1. Narrow down the noise to a general area. To help pinpoint the source of the noise, use a listening tool (Chassis ear: J-39570, Engine ear and mechanics stethoscope).
2. Narrow down the noise to a more specific area and identify the cause of the noise by:
 - Removing the components in the area that is are suspected to be the cause of the noise.
Do not use too much force when removing clips and fasteners, otherwise clips and fastener can be broken or lost during the repair, resulting in the creation of new noise.
 - Tapping or pushing/pulling the component that is are suspected to be the cause of the noise.
Do not tap or push/pull the component with excessive force, otherwise the noise will be eliminated only temporarily.
 - Feeling for a vibration by hand by touching the component(s) that is are suspected to be the cause of the noise.
 - Placing a piece of paper between components that are suspected to be the cause of the noise.
 - Looking for loose components and contact marks.
Refer to [SE-17. "Inspection Procedure"](#).

REPAIR THE CAUSE

- If the cause is a loose component, tighten the component securely.
- If the cause is insufficient clearance between components:
 - Separate components by repositioning or loosening and retightening the component, if possible.
 - Insulate components with a suitable insulator such as urethane pads, foam blocks, felt cloth tape or urethane tape. A Nissan Squeak and Rattle Kit (J-43980) is available through the authorized Nissan Parts Department.

CAUTION:

Never use excessive force as many components are constructed of plastic and may be damaged.

NOTE:

Always check with the Parts Department for the latest parts information.

The following materials are contained in the Nissan Squeak and Rattle Kit (J-43980). Each item can be ordered separately as needed.

URETHANE PADS [1.5 mm (0.059 in) thick]

Insulates connectors, harness, etc.

76268-9E005: 100 × 135 mm (3.94 × 5.31 in)/76884-71L01: 60 × 85 mm (2.36 × 3.35 in)/76884-71L02: 15 × 25 mm (0.59 × 0.98 in)

INSULATOR (Foam blocks)

Insulates components from contact. Can be used to fill space behind a panel.

73982-9E000: 45 mm (1.77 in) thick, 50 × 50 mm (1.97 × 1.97 in)/73982-

50Y00: 10 mm (0.39 in) thick, 50 × 50 mm (1.97 × 1.97 in)

INSULATOR (Light foam block)

80845-71L00: 30 mm (1.18 in) thick, 30 × 50 mm (1.18 × 1.97in)

FELT CLOTHTAPE

Used to insulate where movement does not occur. Ideal for instrument panel applications.

SQUEAK AND RATTLE TROUBLE DIAGNOSES

< SYMPTOM DIAGNOSIS >

68370-4B000: 15 × 25 mm (0.59 × 0.98 in) pad/68239-13E00: 5 mm (0.20 in) wide tape roll

The following materials, not found in the kit, can also be used to repair squeaks and rattles.

UHMW (TEFLON) TAPE

Insulates where slight movement is present. Ideal for instrument panel applications.

SILICONE GREASE

Used in place of UHMW tape that is be visible or does not fit. Will only last a few months.

SILICONE SPRAY

Used when grease cannot be applied.

DUCT TAPE

Used to eliminate movement.

CONFIRM THE REPAIR

Confirm that the cause of a noise is repaired by test driving the vehicle. Operate the vehicle under the same conditions as when the noise originally occurred. Refer to the notes on the Diagnostic Worksheet.

Inspection Procedure

INFOID:000000006201376

Refer to Table of Contents for specific component removal and installation information.

INSTRUMENT PANEL

Most incidents are caused by contact and movement between:

1. The cluster lid A and instrument panel
2. Acrylic lens and combination meter housing
3. Instrument panel to front pillar garnish
4. Instrument panel to windshield
5. Instrument panel mounting pins
6. Wiring harnesses behind the combination meter
7. A/C defroster duct and duct joint

These incidents can usually be located by tapping or moving the components to duplicate the noise or by pressing on the components while driving to stop the noise. Most of these incidents can be repaired by applying felt cloth tape or silicon spray (in hard to reach areas). Urethane pads can be used to insulate wiring harness.

CAUTION:

Never use silicone spray to isolate a squeak or rattle. If the area is saturated with silicone, the recheck of repair becomes impossible.

CENTER CONSOLE

Components to pay attention to include:

1. Shifter assembly cover to finisher
2. A/C control unit and cluster lid C
3. Wiring harnesses behind audio and A/C control unit

The instrument panel repair and isolation procedures also apply to the center console.

DOORS

Pay attention to the following:

1. Finisher and inner panel making a slapping noise
2. Inside handle escutcheon to door finisher
3. Wiring harnesses tapping
4. Door striker out of alignment causing a popping noise on starts and stops

Tapping or moving the components or pressing on them while driving to duplicate the conditions can isolate many of these incidents. The areas can usually be insulated with felt cloth tape or insulator foam blocks from the Nissan Squeak and Rattle Kit (J-43980) to repair the noise.

TRUNK

Trunk noises are often caused by a loose jack or loose items put into the trunk by the customer.

In addition look for the following:

1. Trunk lid dumpers out of adjustment
2. Trunk lid striker out of adjustment

SQUEAK AND RATTLE TROUBLE DIAGNOSES

< SYMPTOM DIAGNOSIS >

3. The trunk lid torsion bars knocking together
4. A loose license plate or bracket

Most of these incidents can be repaired by adjusting, securing or insulating the item(s) or component(s) causing the noise.

SUNROOF/HEADLINING

Noises in the sunroof/headlining area can often be traced to one of the following:

1. Sunroof lid, rail, linkage or seals making a rattle or light knocking noise
2. Sunvisor shaft shaking in the holder
3. Front or rear windshield touching headlining and squeaking

Again, pressing on the components to stop the noise while duplicating the conditions can isolate most of these incidents. Repairs usually consist of insulating with felt cloth tape.

SEATS

When isolating seat noise it's important to note the position the seats in and the load placed on the seat when the noise occurs. These conditions should be duplicated when verifying and isolating the cause of the noise.

Cause of seat noise include:

1. Headrest rods and holder
2. A squeak between the seat pad cushion and frame
3. The rear seatback lock and bracket

These noises can be isolated by moving or pressing on the suspected components while duplicating the conditions under which the noise occurs. Most of these incidents can be repaired by repositioning the component or applying urethane tape to the contact area.

UNDERHOOD

Some interior noise may be caused by components under the hood or on the engine wall. The noise is then transmitted into the passenger compartment.

Causes of transmitted underhood noise include:

1. Any component mounted to the engine wall
2. Components that pass through the engine wall
3. Engine wall mounts and connectors
4. Loose radiator mounting pins
5. Hood bumpers out of adjustment
6. Hood striker out of adjustment

These noises can be difficult to isolate since they cannot be reached from the interior of the vehicle. The best method is to secure, move or insulate one component at a time and test drive the vehicle. Also, engine RPM or load can be changed to isolate the noise. Repairs can usually be made by moving, adjusting, securing, or insulating the component causing the noise.

SQUEAK AND RATTLE TROUBLE DIAGNOSES

< SYMPTOM DIAGNOSIS >

Diagnostic Worksheet

INFOID:000000006201377



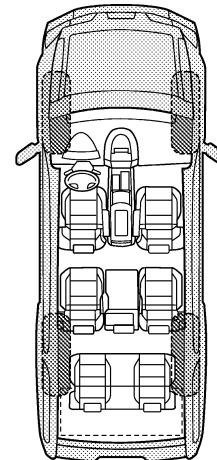
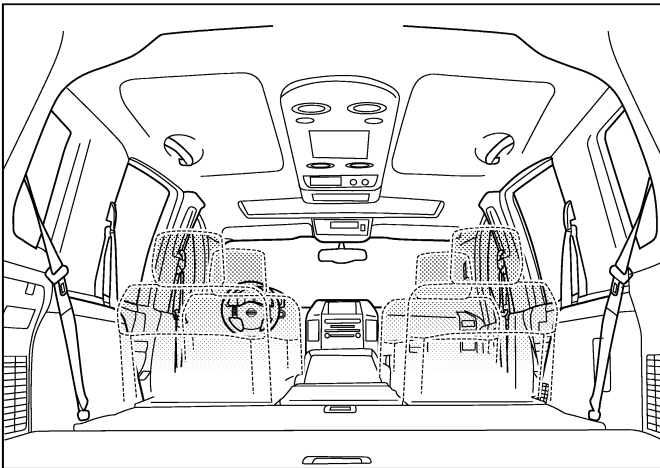
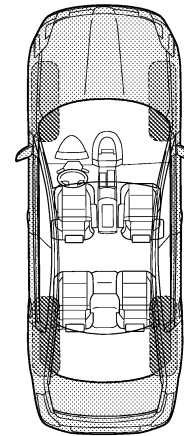
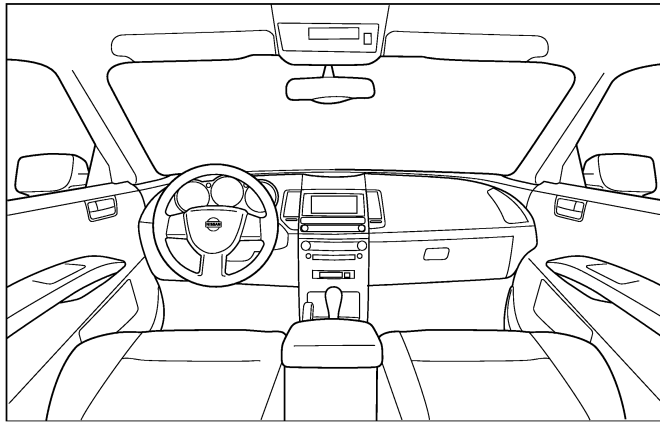
SQUEAK & RATTLE DIAGNOSTIC WORKSHEET

Dear Nissan Customer:

We are concerned about your satisfaction with your Nissan vehicle. Repairing a squeak or rattle sometimes can be very difficult. To help us fix your Nissan right the first time, please take a moment to note the area of the vehicle where the squeak or rattle occurs and under what conditions. You may be asked to take a test drive with a service advisor or technician to ensure we confirm the noise you are hearing.

I. WHERE DOES THE NOISE COME FROM? (circle the area of the vehicle)

The illustrations are for reference only, and may not reflect the actual configuration of your vehicle.



Continue to page 2 of the worksheet and briefly describe the location of the noise or rattle. In addition, please indicate the conditions which are present when the noise occurs.

PIIB8740E

A
B
C
D
E
F
G
H
I
SE
K
L
M
N
O
P

SQUEAK AND RATTLE TROUBLE DIAGNOSES

< SYMPTOM DIAGNOSIS >

SQUEAK & RATTLE DIAGNOSTIC WORKSHEET - page 2

Briefly describe the location where the noise occurs:

II. WHEN DOES IT OCCUR? (please check the boxes that apply)

- | | |
|---|--|
| <input type="checkbox"/> anytime | <input type="checkbox"/> after sitting out in the rain |
| <input type="checkbox"/> 1st time in the morning | <input type="checkbox"/> when it is raining or wet |
| <input type="checkbox"/> only when it is cold outside | <input type="checkbox"/> dry or dusty conditions |
| <input type="checkbox"/> only when it is hot outside | <input type="checkbox"/> other: |

III. WHEN DRIVING:

- through driveways
- over rough roads
- over speed bumps
- only about ____ mph
- on acceleration
- coming to a stop
- on turns: left, right or either (circle)
- with passengers or cargo
- other: _____
- after driving ____ miles or ____ minutes

IV. WHAT TYPE OF NOISE

- squeak (like tennis shoes on a clean floor)
- creak (like walking on an old wooden floor)
- rattle (like shaking a baby rattle)
- knock (like a knock at the door)
- tick (like a clock second hand)
- thump (heavy, muffled knock noise)
- buzz (like a bumble bee)

TO BE COMPLETED BY DEALERSHIP PERSONNEL

Test Drive Notes:

	YES	NO	Initials of person performing
Vehicle test driven with customer	<input type="checkbox"/>	<input type="checkbox"/>	_____
- Noise verified on test drive	<input type="checkbox"/>	<input type="checkbox"/>	_____
- Noise source located and repaired	<input type="checkbox"/>	<input type="checkbox"/>	_____
- Follow up test drive performed to confirm repair	<input type="checkbox"/>	<input type="checkbox"/>	_____

VIN: _____ Customer Name: _____
W.O.# _____ Date: _____

This form must be attached to Work Order

PIIB8742E

PRECAUTIONS

< PRECAUTION >

PRECAUTION

PRECAUTIONS FOR MEXICO

FOR MEXICO : Precaution for Supplemental Restraint System (SRS) "AIR BAG" and "SEAT BELT PRE-TENSIONER"

INFOID:000000006201378

The Supplemental Restraint System such as "AIR BAG" and "SEAT BELT PRE-TENSIONER", used along with a front seat belt, helps to reduce the risk or severity of injury to the driver and front passenger for certain types of collision. Information necessary to service the system safely is included in the "SRS AIR BAG" and "SEAT BELT" of this Service Manual.

WARNING:

- To avoid rendering the SRS inoperative, which could increase the risk of personal injury or death in the event of a collision which would result in air bag inflation, all maintenance must be performed by an authorized NISSAN/INFINITI dealer.
- Improper maintenance, including incorrect removal and installation of the SRS, can lead to personal injury caused by unintentional activation of the system. For removal of Spiral Cable and Air Bag Module, see "SRS AIR BAG".
- Never use electrical test equipment on any circuit related to the SRS unless instructed to in this Service Manual. SRS wiring harnesses can be identified by yellow and/or orange harnesses or harness connectors.

PRECAUTIONS WHEN USING POWER TOOLS (AIR OR ELECTRIC) AND HAMMERS

WARNING:

- When working near the Air Bag Diagnosis Sensor Unit or other Air Bag System sensors with the ignition ON or engine running, never use air or electric power tools or strike near the sensor(s) with a hammer. Heavy vibration could activate the sensor(s) and deploy the air bag(s), possibly causing serious injury.
- When using air or electric power tools or hammers, always switch the ignition OFF, disconnect the battery, and wait at least 3 minutes before performing any service.

FOR MEXICO : Service Notice

INFOID:000000006201379

- When removing or installing various parts, place a cloth or padding onto the vehicle body to prevent scratches.
- Handle trim, molding, instruments, grille, etc. carefully during removing or installing. Be careful not to oil or damage them.
- Apply sealing compound where necessary when installing parts.
- When applying sealing compound, be careful that the sealing compound does not protrude from parts.
- When replacing any metal parts (for example body outer panel, members, etc.), be sure to take rust prevention measures.

FOR MEXICO : Precaution for Work

INFOID:000000006201380

- When removing or disassembling each component, be careful not to damage or deform it. If a component may be subject to interference, be sure to protect it with a shop cloth.
- When removing (disengaging) components with a screwdriver or similar tool, be sure to wrap the component with a shop cloth or vinyl tape to protect it.
- Protect the removed parts with a shop cloth and keep them.
- Replace a deformed or damaged clip.
- If a part is specified as a non-reusable part, always replace it with new one.
- Be sure to tighten bolts and nuts securely to the specified torque.
- After re-installation is completed, be sure to check that each part works normally.
- Follow the steps below to clean components.
 - Water soluble foul: Dip a soft cloth into lukewarm water, and wring the water out of the cloth to wipe the fouled area.
Then rub with a soft and dry cloth.
 - Oily foul: Dip a soft cloth into lukewarm water with mild detergent (concentration: within 2 to 3%), and wipe the fouled area.

A
B
C
D
E
F
G
H
I
SE

PRECAUTIONS

< PRECAUTION >

Then dip a cloth into fresh water, and wring the water out of the cloth to wipe the detergent off. Then rub with a soft and dry cloth.

- Never use organic solvent such as thinner, benzene, alcohol, and gasoline.
- For genuine leather seats, use a genuine leather seat cleaner.

FOR USA AND CANADA

FOR USA AND CANADA : Precaution for Supplemental Restraint System (SRS) "AIR BAG" and "SEAT BELT PRE-TENSIONER"

INFOID:000000006201381

The Supplemental Restraint System such as "AIR BAG" and "SEAT BELT PRE-TENSIONER", used along with a front seat belt, helps to reduce the risk or severity of injury to the driver and front passenger for certain types of collision. This system includes seat belt switch inputs and dual stage front air bag modules. The SRS system uses the seat belt switches to determine the front air bag deployment, and may only deploy one front air bag, depending on the severity of a collision and whether the front occupants are belted or unbelted.

Information necessary to service the system safely is included in the "SRS AIR BAG" and "SEAT BELT" of this Service Manual.

WARNING:

- **To avoid rendering the SRS inoperative, which could increase the risk of personal injury or death in the event of a collision that would result in air bag inflation, all maintenance must be performed by an authorized NISSAN/INFINITI dealer.**
- **Improper maintenance, including incorrect removal and installation of the SRS, can lead to personal injury caused by unintentional activation of the system. For removal of Spiral Cable and Air Bag Module, see "SRS AIR BAG".**
- **Never use electrical test equipment on any circuit related to the SRS unless instructed to in this Service Manual. SRS wiring harnesses can be identified by yellow and/or orange harnesses or harness connectors.**

PRECAUTIONS WHEN USING POWER TOOLS (AIR OR ELECTRIC) AND HAMMERS

WARNING:

- **When working near the Air Bag Diagnosis Sensor Unit or other Air Bag System sensors with the ignition ON or engine running, never use air or electric power tools or strike near the sensor(s) with a hammer. Heavy vibration could activate the sensor(s) and deploy the air bag(s), possibly causing serious injury.**
- **When using air or electric power tools or hammers, always switch the ignition OFF, disconnect the battery, and wait at least 3 minutes before performing any service.**

FOR USA AND CANADA : Service Notice

INFOID:000000006201382

- When removing or installing various parts, place a cloth or padding onto the vehicle body to prevent scratches.
- Handle trim, molding, instruments, grille, etc. carefully during removing or installing. Be careful not to oil or damage them.
- Apply sealing compound where necessary when installing parts.
- When applying sealing compound, be careful that the sealing compound does not protrude from parts.
- When replacing any metal parts (for example body outer panel, members, etc.), be sure to take rust prevention measures.

FOR USA AND CANADA : Precaution for Work

INFOID:000000006201383

- When removing or disassembling each component, be careful not to damage or deform it. If a component may be subject to interference, be sure to protect it with a shop cloth.
- When removing (disengaging) components with a screwdriver or similar tool, be sure to wrap the component with a shop cloth or vinyl tape to protect it.
- Protect the removed parts with a shop cloth and keep them.
- Replace a deformed or damaged clip.
- If a part is specified as a non-reusable part, always replace it with new one.
- Be sure to tighten bolts and nuts securely to the specified torque.
- After re-installation is completed, be sure to check that each part works normally.
- Follow the steps below to clean components.
 - Water soluble foul: Dip a soft cloth into lukewarm water, and wring the water out of the cloth to wipe the fouled area.

PRECAUTIONS

< PRECAUTION >

- Then rub with a soft and dry cloth.
- Oily foul: Dip a soft cloth into lukewarm water with mild detergent (concentration: within 2 to 3%), and wipe the fouled area.
Then dip a cloth into fresh water, and wring the water out of the cloth to wipe the detergent off. Then rub with a soft and dry cloth.
- Never use organic solvent such as thinner, benzene, alcohol, and gasoline.
- For genuine leather seats, use a genuine leather seat cleaner.

A

B

C

D

E

F

G

H

I

SE

K

L

M

N

O

P

PREPARATION

< PREPARATION >

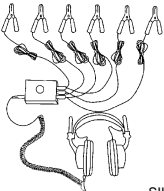
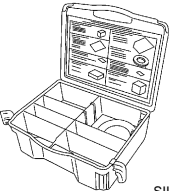
PREPARATION

PREPARATION

Special Service Tool

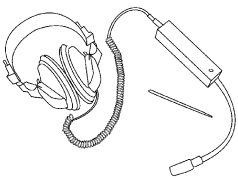
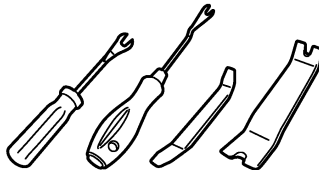
INFOID:000000006201384

The actual shapes of Kent-Moore tools may differ from those of special service tools illustrated here.

Tool number (Kent-Moore No.) Tool name	Description
(J39570) Chassis ear  SIIA0993E	Locates the noise
(J43980) NISSAN Squeak and Rattle Kit  SIIA0994E	Repairs the cause of noise

Commercial Service Tool

INFOID:000000006201385

Tool name	Description
Engine ear  SIIA0995E	Locates the noise
Remover tool  JMKIA3050ZZ	Removes the clips, pawls and metal clips

FRONT SEAT

< REMOVAL AND INSTALLATION >

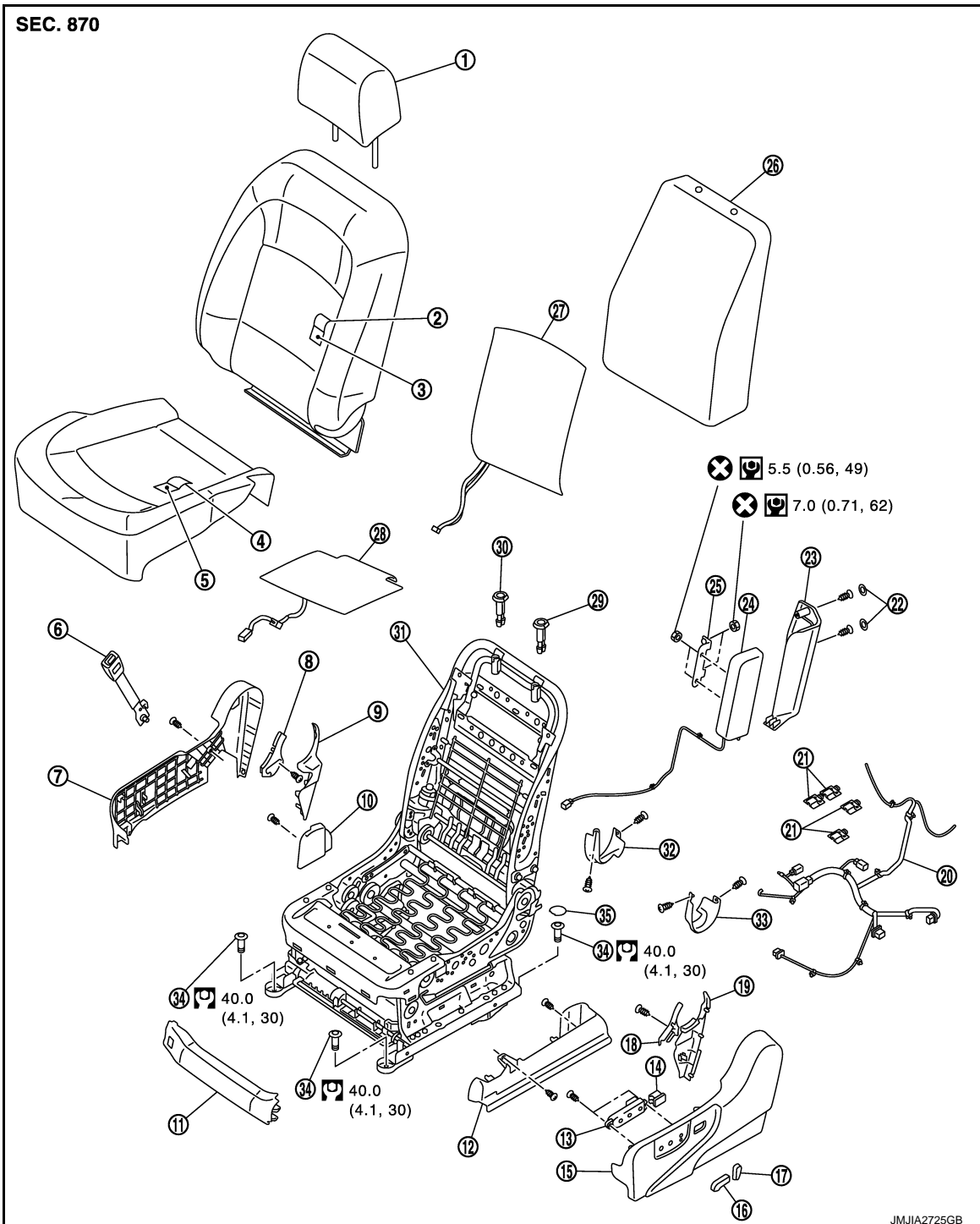
REMOVAL AND INSTALLATION

FRONT SEAT

Exploded View

INFOID:000000006201386

DRIVER'S POWER SEAT



- | | | |
|--------------------------------|---|--|
| 1. Head rest | 2. Seatback trim | 3. Seatback pad |
| 4. Seat cushion trim | 5. Seat cushion pad | 6. Seat belt buckle |
| 7. Seat cushion inner finisher | 8. Seat cushion inner finisher inside (front) | 9. Seat cushion inner finisher inside (rear) |

FRONT SEAT

< REMOVAL AND INSTALLATION >

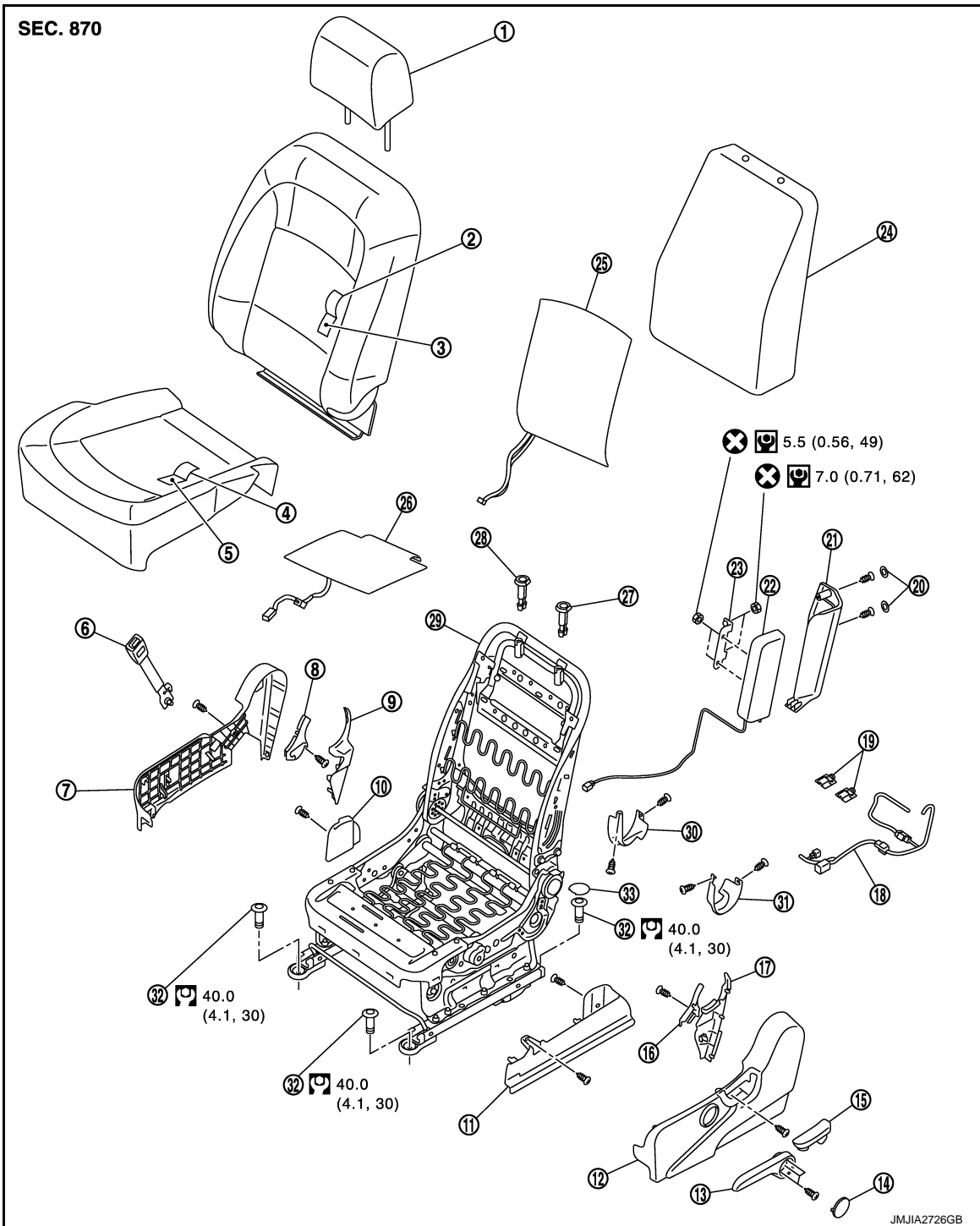
- | | | |
|---|----------------------------------|--|
| 10. Seat slide inner finisher | 11. Seat cushion front finisher | 12. Seat slide outer finisher |
| 13. Seat control switch | 14. Lumbar support switch | 15. Seat cushion outer finisher |
| 16. Seat slide and lifter switch knob | 17. Reclining switch knob | 18. Seat cushion outer finisher inside (front) |
| 19. Seat cushion outer finisher inside (rear) | 20. Seat harness | 21. Seat harness clamp |
| 22. Screw cap | 23. Seatback finisher | 24. Side air bag module |
| 25. Side air bag module bracket | 26. Seatback silencer | 27. Seatback heater unit |
| 28. Seat cushion heater unit | 29. Headrest holder (locked) | 30. Headrest holder (free) |
| 31. Seat frame assembly | 32. Reclining device inner cover | 33. Reclining device outer cover |
| 34. TORX bolt | 35. Bolt cap | |

Refer to [GI-4. "Components"](#) for symbols in the figure.

DRIVER'S MANUAL SEAT

FRONT SEAT

< REMOVAL AND INSTALLATION >



- | | | |
|--|---|--|
| 1. Headrest | 2. Seatback trim | 3. Seatback pad |
| 4. Seat cushion trim | 5. Seat cushion pad | 6. Seat belt buckle |
| 7. Seat cushion inner finisher | 8. Seat cushion inner finisher inside (front) | 9. Seat cushion inner finisher inside (rear) |
| 10. Seat slide inner finisher | 11. Seat slide outer finisher | 12. Seat cushion outer finisher |
| 13. Lifter lever knob | 14. Lifter lever knob cap | 15. Reclining lever knob |
| 16. Seat cushion outer finisher inside (front) | 17. Seat cushion outer finisher inside (rear) | 18. Seat harness |
| 19. Seat harness clamp | 20. Screw cap | 21. Seatback finisher |
| 22. Side air bag module | 23. Side air bag module bracket | 24. Seatback silencer |
| 25. Seatback heater unit | 26. Seat cushion heater unit | 27. Headrest holder (locked) |

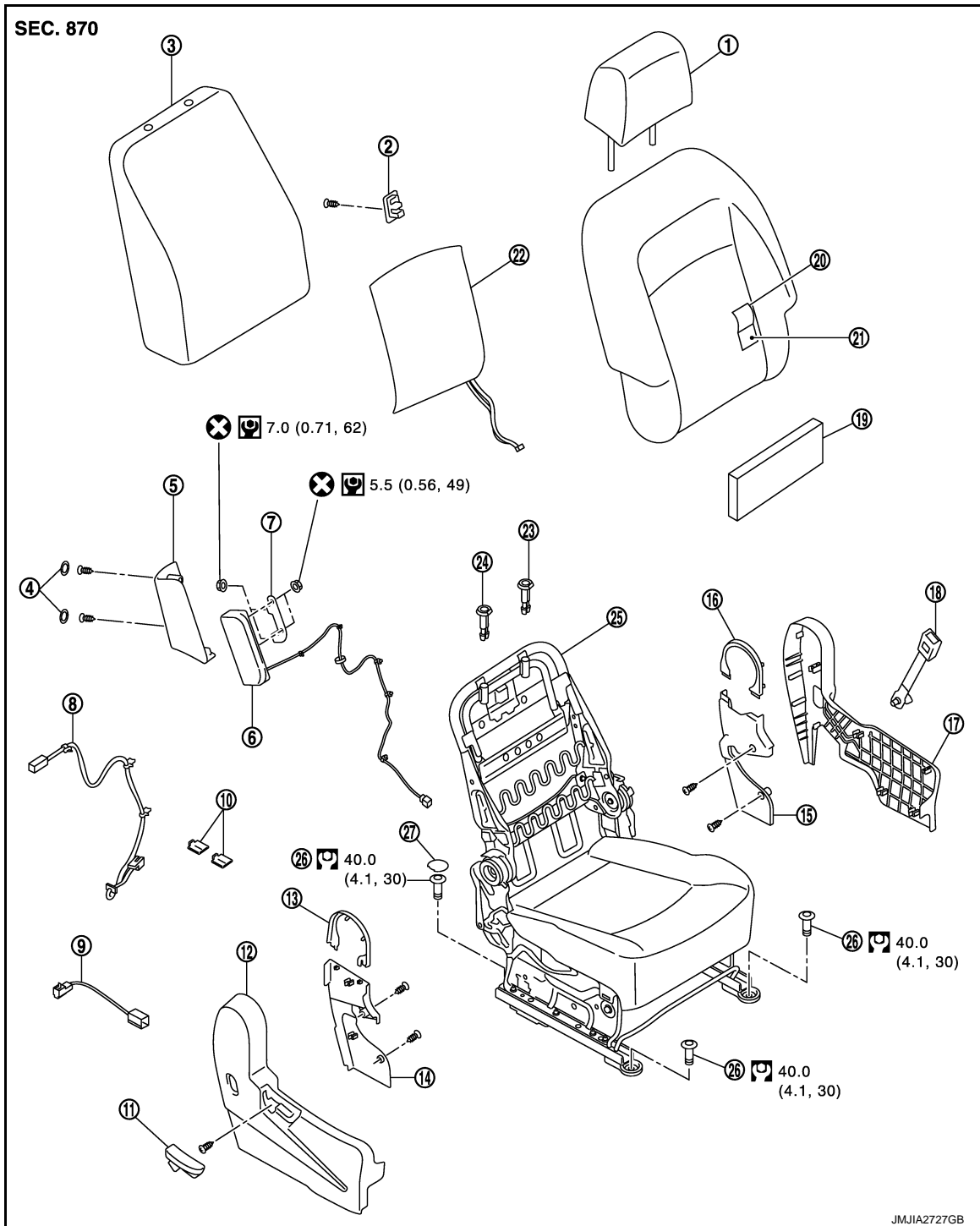
A
B
C
D
E
F
G
H
I
SE
K
L
M
N
O
P

FRONT SEAT

< REMOVAL AND INSTALLATION >

- | | | |
|----------------------------------|-------------------------|----------------------------------|
| 28. Headrest holder (free) | 29. Seat frame assembly | 30. Reclining device inner cover |
| 31. Reclining device outer cover | 32. TORX bolt | 33. Bolt cap |
- Refer to [GI-4. "Components"](#) for symbols in the figure.

PASSENGER'S FOLDING SEAT



- | | | |
|--|--|--|
| 1. Headrest | 2. Utility hook | 3. Seatback silencer |
| 4. Screw cap | 5. Seatback finisher | 6. Side air bag module |
| 7. Side air bag module bracket | 8. Seat harness | 9. Seat heater sub harness |
| 10. Seat harness clamp | 11. Reclining lever knob | 12. Seat cushion outer finisher |
| 13. Seat cushion outer finisher inside (upper) | 14. Seat cushion outer finisher inside (lower) | 15. Seat cushion inner finisher inside (lower) |

FRONT SEAT

< REMOVAL AND INSTALLATION >

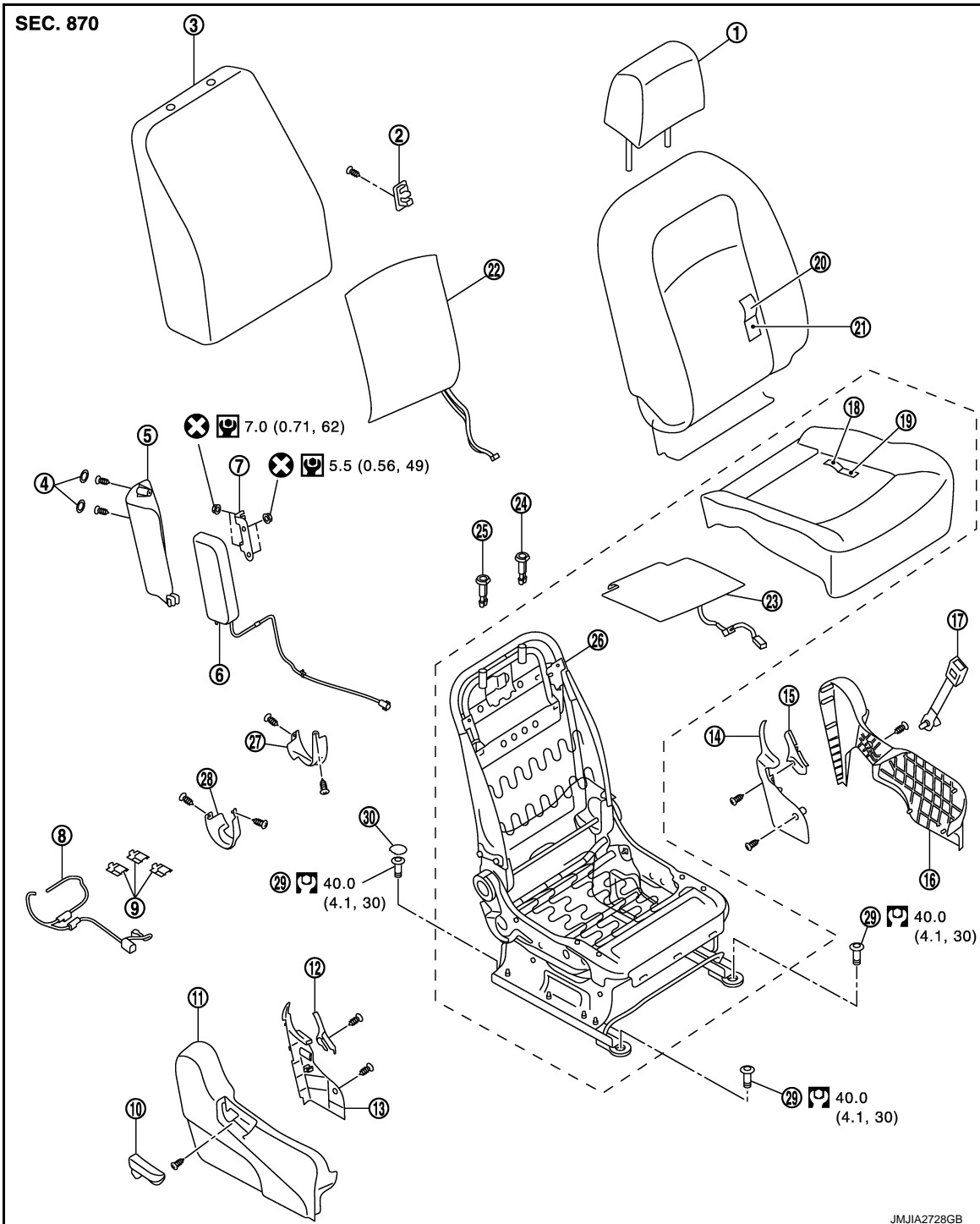
- | | | |
|--|---------------------------------|----------------------------|
| 16. Seat cushion inner finisher inside (upper) | 17. Seat cushion inner finisher | 18. Seat belt buckle |
| 19. Seat cushion pad (rear) | 20. Seatback trim | 21. Seatback pad |
| 22. Seatback heater unit | 23. Headrest holder (locked) | 24. Headrest holder (free) |
| 25. Seat frame assembly | 26. TORX bolt | 27. Bolt cap |

Refer to [GI-4, "Components"](#) for symbols in the figure.

PASSENGER'S STANDARD SEAT

CAUTION:

Never disassembly the component parts of only front passenger seat in the dotted lines shown in the figure below. (With occupant classification system control unit model)



A
B
C
D
E
F
G
H
I
SE
K
L
M
N
O
P

FRONT SEAT

< REMOVAL AND INSTALLATION >

- | | | |
|---|---|--|
| 1. Headrest | 2. Utility hook | 3. Seatback silencer |
| 4. Screw cap | 5. Seatback finisher | 6. Side air bag module |
| 7. Side air bag module bracket | 8. Seat harness | 9. Seat harness clamp |
| 10. Reclining lever knob | 11. Seat cushion outer finisher | 12. Seat cushion outer finisher inside (front) |
| 13. Seat cushion outer finisher inside (rear) | 14. Seat cushion inner finisher inside (rear) | 15. Seat cushion inner finisher inside (front) |
| 16. Seat cushion inner finisher | 17. Seat belt buckle | 18. Seat cushion trim |
| 19. Seat cushion pad | 20. Seatback trim | 21. Seatback pad |
| 22. Seatback heater unit | 23. Seat cushion unit | 24. Headrest holder (locked) |
| 25. Headrest holder (free) | 26. Seat frame assembly | 27. Reclining device inner cover |
| 28. Reclining device outer cover | 29. TORX bolt | 30. Bolt cap |

Refer to [GI-4, "Components"](#) for symbols in the figure.

Removal and Installation

INFOID:000000006201387

REMOVAL

CAUTION:

- When removing and installing, use shop cloths to protect parts from damage.
- Before removal, turn ignition switch OFF, disconnect battery negative terminal and then wait for at least 3 minutes.

NOTE:

Confirming a position of connector before work.

1. Remove the headrest.
2. Remove the rear bolt cap.
3. Remove the rear inner mounting TORX bolt.
4. Remove the rear outer mounting TORX bolt.
5. Remove the front outer mounting TORX bolt.
6. Remove the front inner mounting TORX bolt.
7. Set seatback in a standing position.
8. Disconnect harness connector under the seat and remove harness clamps.
9. Remove seat from the vehicle.

INSTALLATION

Install in the reverse order of removal.

CAUTION:

- Before installation, turn ignition switch OFF, disconnect battery negative terminal and then wait for at least 3 minutes.
- Clamp the harness in position.

Disassembly and Assembly

INFOID:000000006201388

SEATBACK (EXCEPT FOLDING SEAT)

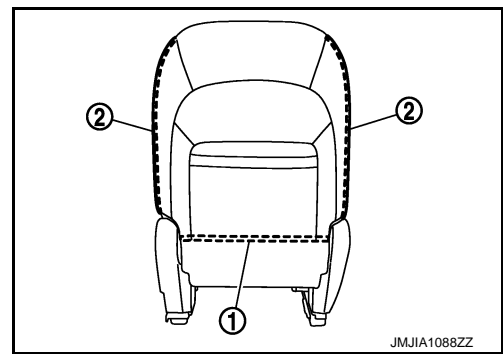
Disassembly

1. Remove the utility hook.
Remove the screw. (Passenger's seat only)
2. Remove the seatback trim and seatback pad.

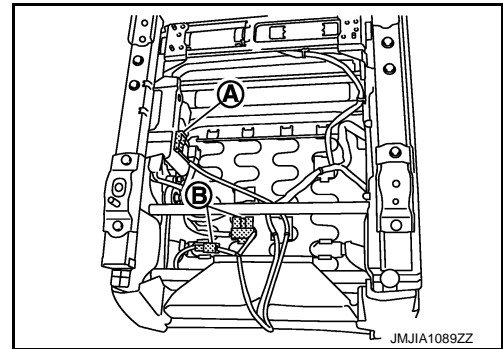
FRONT SEAT

< REMOVAL AND INSTALLATION >

- Remove the seatback retainer (1) on the back side of the seatback.
- Unfasten fastener (2) on the back side of the seatback.
- Remove the hog rings.



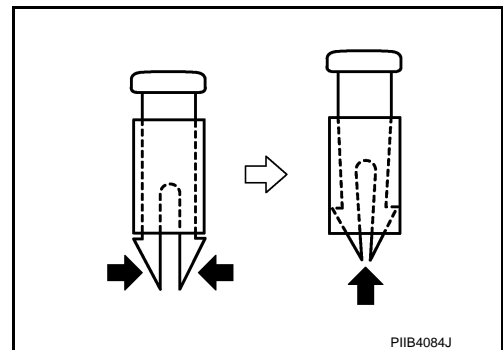
- Remove the screw cap.
- Remove the screws, and then remove seatback finisher.
- Remove the side air bag module.
- Remove the side air bag harness connector (A) and clamp.
- Disconnect the seatback heater unit harness connectors (B).



- Remove the headrest holder.

CAUTION:

Before installing headrest holder, check its orientation.
(front/rear and right/left)



- Remove the seatback trim and seatback pad from the seat frame assembly.
- Remove the hog rings to separate the seatback trim and seatback pad.

3. Remove the seatback silencer.

4. Remove the reclining device inner and outer cover.

Assembly

Assemble in the reverse order of disassembly.

CAUTION:

Install the hog rings of seatback trim in position, and then securely connect the trim or trim cord with the pad side wire.

SEAT CUSHION (EXCEPT FOLDING SEAT)

Disassembly

CAUTION:

- Never disassemble seat cushion trim and pad from seat frame assembly of passenger seat. Always replace as an assembly. (With occupant classification system control unit model)
- For front passenger seat service parts, refer to the service part catalogue.


1. Remove the seat cushion outer finisher.

a. Manual seat

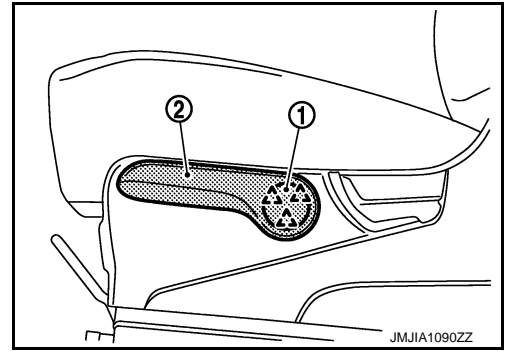
FRONT SEAT

< REMOVAL AND INSTALLATION >


- Remove the pawls, and then remove lifter lever knob finisher (1). (Lifter seat only)

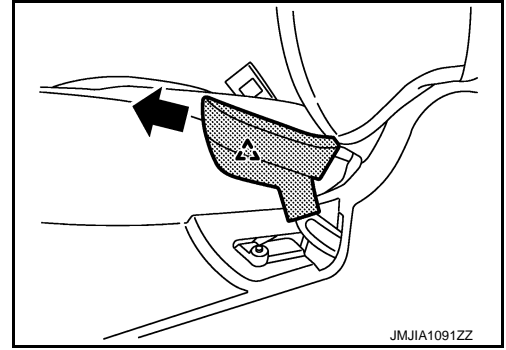
 : Pawl

- Remove the mounting screws, and remove lifter lever knob (2). (Lifter seat only)





- Pull out the reclining lever knob while holding and raising the pawl.

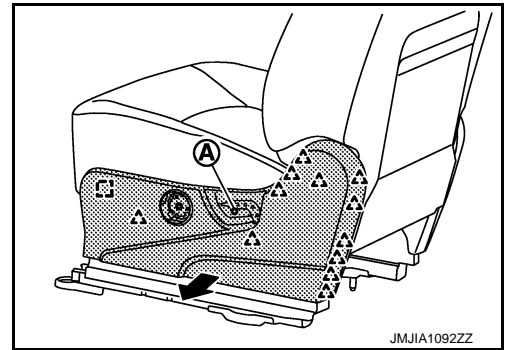
 : Pawl



- Remove the screw (A).
- Remove the metal clip and pawls, and then pull out seat cushion outer finisher.


 : Metal clip


 : Pawl

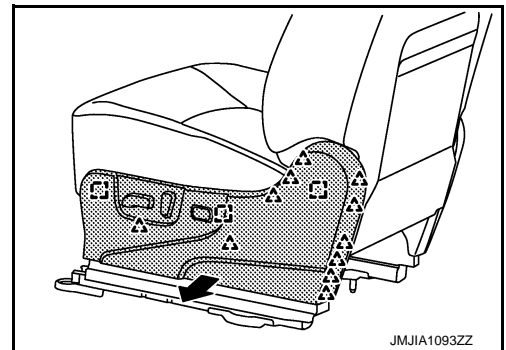


b. Power seat

- Remove the metal clips and pawls, and then pull out seat cushion outer finisher.

 : Metal clip

 : Pawl



- Disconnect the harness connectors.

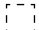

2. Remove the seat belt buckle. Refer to [SB-9, "SEAT BELT BUCKLE : Removal and Installation"](#).

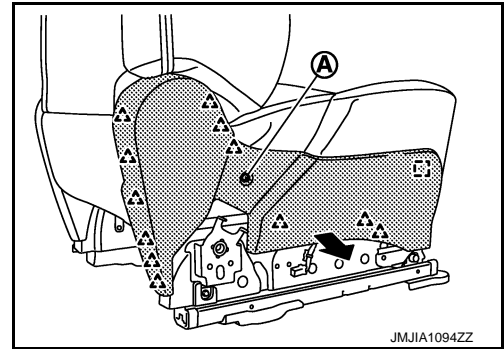
3. Remove the seat cushion inner finisher.

FRONT SEAT

< REMOVAL AND INSTALLATION >

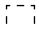
Remove the screw (A).
Remove the metal clip and pawls, and then pull out seat cushion inner finisher.

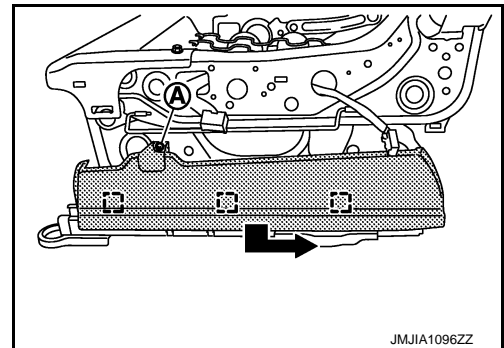
-  : Metal clip
-  : Pawl



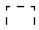
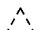
4. Remove the seat cushion trim and seat cushion pad. (Without occupant classification system control unit model)
 - Remove the seat cushion retainer.
 - Disconnect the heater unit harness connector.
 - Remove the seat cushion trim and seat cushion pad from the seat frame assembly.
 - Remove the hog rings, and separate the seat cushion trim and seat cushion pad.

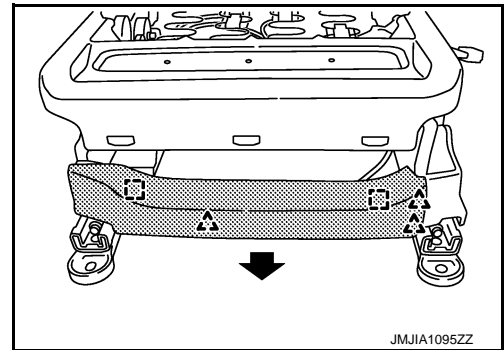
5. Remove the seat slide outer finisher. (Lifter seat only)
 - Remove the screw (A).
 - Remove the metal clips, and then pull out seat slide outer finisher.

-  : Metal clip



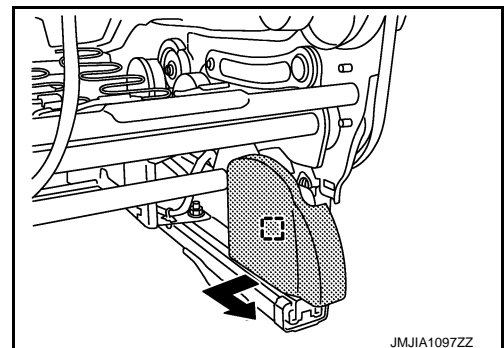
6. Remove the seat cushion front finisher. (Power seat only)
Remove the metal clips and pawls, and the pull out seat cushion front finisher.

-  : Metal clip
-  : Pawl



7. Remove seat slide inner finisher. (Lifter seat only)
 - Remove the screw.
 - Remove the metal clip, and then pull out seat slide inner finisher.

-  : Metal clip



8. Remove the seat cushion outer and inner finisher inside (front).
Remove the screw, and then remove the seat cushion outer and inner finisher inside (front).

A
B
C
D
E
F
G
H
I
SE
K
L
M
N
O
P

FRONT SEAT

< REMOVAL AND INSTALLATION >

9. Remove the seat cushion outer and inner finisher inside (rear).
Remove the metal clip, and then pull out seat cushion outer and inner finisher inside (rear).

Assembly

Assemble in the reverse order of disassembly.

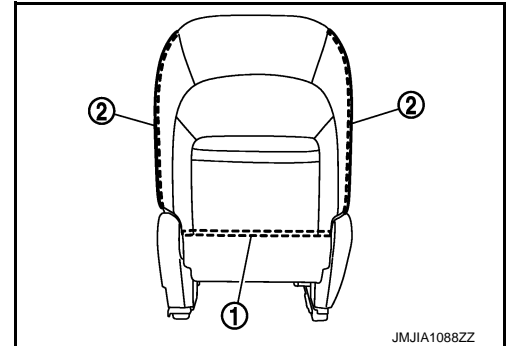
CAUTION:

Install the hog rings of seat cushion trim in position, and then securely connect the trim or trim cord with the pad side wire.

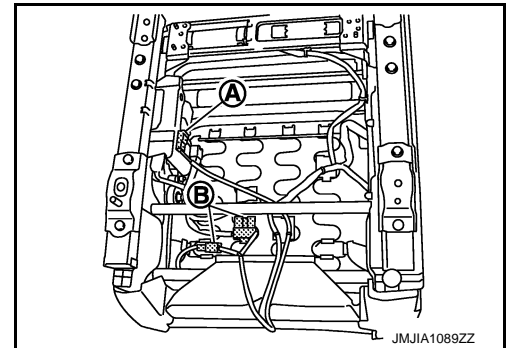
SEATBACK (FOLDING SEAT)

Disassembly

1. Remove the seatback trim and seatback pad.
- Remove the seatback retainer (1) on the back side of the seatback.
 - Unfasten fastener (2) on the back side of the seatback.
 - Remove the hog rings.



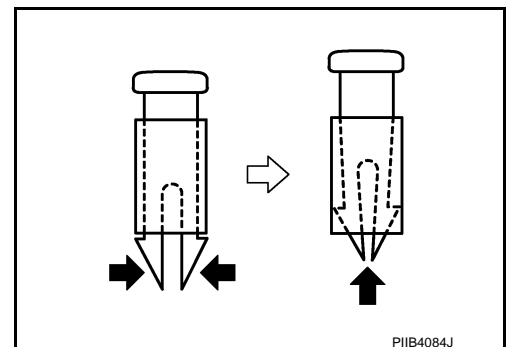
- Remove the screw cap.
- Remove the screws, and then remove seatback finisher.
- Remove the side air bag module.
- Remove the side air bag harness connector (A) and clamp.
- Disconnect the seatback heater unit harness connectors (B).



- Remove the headrest holder.

CAUTION:

Before installing headrest holder, check its orientation. (front/rear and right/left)



- Remove the seatback trim and seatback pad from the seat frame assembly.
- Remove the hog rings to separate the seatback trim and seatback pad.

2. Remove the seatback silencer.

Assembly

Assemble in the reverse order of disassembly.

CAUTION:

FRONT SEAT

< REMOVAL AND INSTALLATION >

Install the hog rings of seatback trim in position, and then securely connect the trim or trim cord with the pad side wire.


SEAT CUSHION (FOLDING SEAT)

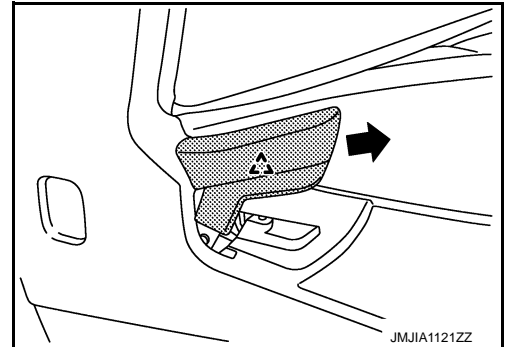
Disassembly

CAUTION:

- Never disassemble seat cushion trim and pad from seat frame assembly of passenger seat. Always replace as an assembly. (With occupant classification system control unit model)
- For front passenger seat service parts, refer to the service part catalogue.


1. Remove the seat cushion outer finisher.
 - Pull out the reclining lever knob while holding and raising the pawl.

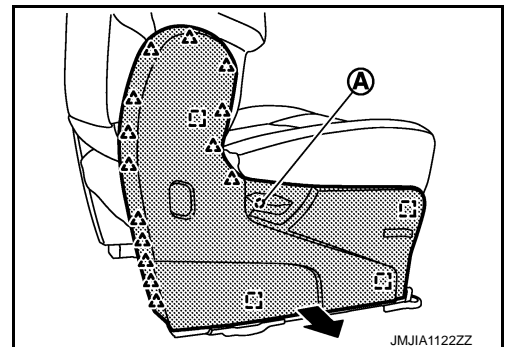
 : Pawl



- Remove the screw (A).
- Remove the metal clips and pawls, and then pull out seat cushion outer finisher.


 : Metal clip

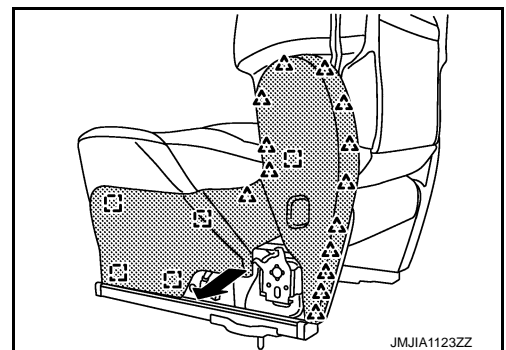
 : Pawl



2. Remove the seat belt buckle. Refer to [SB-9. "SEAT BELT BUCKLE : Removal and Installation"](#).
3. Remove the seat cushion inner finisher.
Remove the metal clips and pawls, and then pull out seat cushion inner finisher.

 : Metal clip

 : Pawl



4. Remove the seat cushion outer finisher inside (upper) and seat cushion inner finisher inside (upper).
5. Remove the seat cushion outer finisher inside (lower).
 - Remove the screws.
 - Remove the metal clip, and then pull out seat cushion outer finisher inside (lower).
6. Remove the seat cushion inner finisher inside (lower).
 - Remove the screws.
 - Remove the metal clip, and then pull out seat cushion inner finisher inside (lower).

Assembly

Assemble in the reverse order of disassembly.

CAUTION:

A
B
C
D
E
F
G
H
I
SE

K
L
M
N
O
P

FRONT SEAT

< REMOVAL AND INSTALLATION >

Install the hog rings of seat cushion trim in position, and then securely connect the trim or trim cord with the pad side wire.

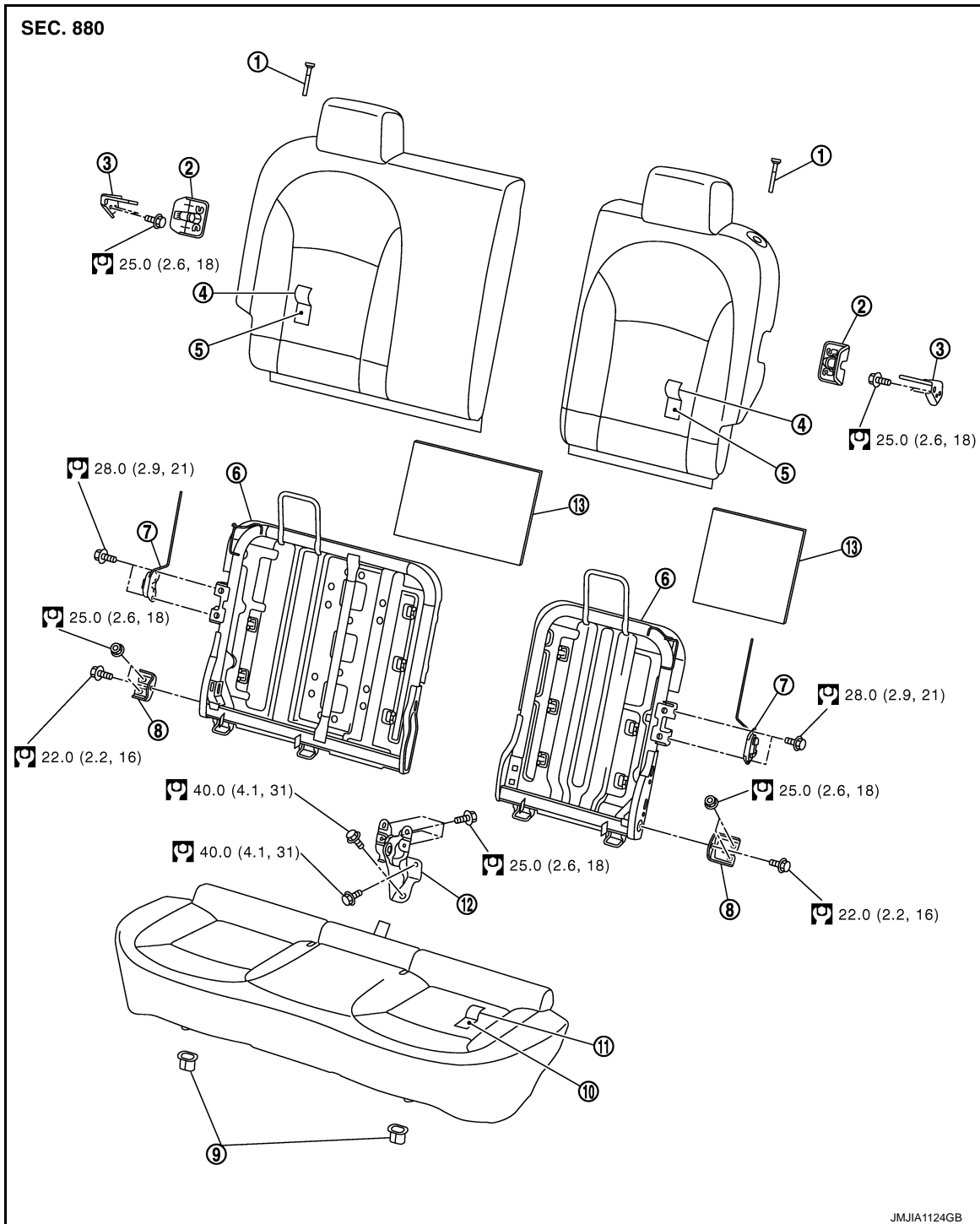
REAR SEAT

< REMOVAL AND INSTALLATION >

REAR SEAT

Exploded View

INFOID:000000006201389



- | | | |
|---------------------------|---------------------------|-----------------------------|
| 1. Seatback lock knob | 2. Seatback lock finisher | 3. Seat striker |
| 4. Seatback trim | 5. Seatback pad | 6. Seatback frame |
| 7. Seatback lock assembly | 8. Seatback side hinge | 9. Seat cushion hook |
| 10. Seat cushion pad | 11. Seat cushion trim | 12. Seatback center bracket |
| 13. Seatback silencer | | |

Refer to [GI-4, "Components"](#) for symbols in the figure.

A
B
C
D
E
F
G
H
I
SE
K
L
M
N
O
P

REAR SEAT

< REMOVAL AND INSTALLATION >

Removal and Installation

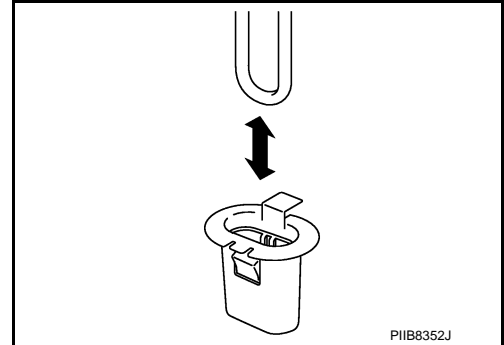
INFOID:00000006201390

REMOVAL

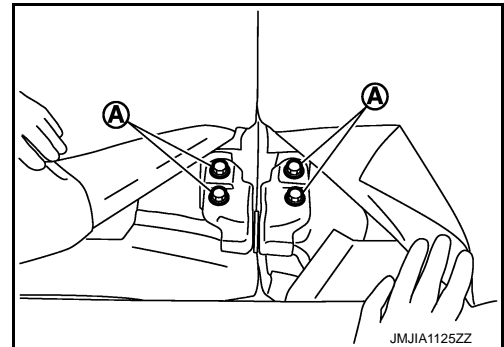
CAUTION:

When removing and installing, use shop cloths to protect parts from damage.

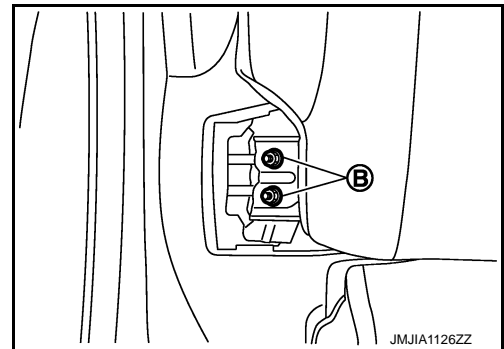
1. Remove the seat cushion.
Pull seat cushion up, and then remove the seat cushion from the seat cushion hook.



2. Remove the seatback.
 - Pull up the seatback trim.
 - Remove the seatback center bracket mounting bolts (A).



- Remove the luggage finisher mask. Refer to [INT-33, "Removal and Installation"](#).
- Remove the seatback side bracket mounting nuts (B).
- Remove the seatback assembly (RH/LH) from the vehicle.



3. Remove the seatback center bracket.
 - Remove the luggage floor center finisher. Refer to [INT-33, "Removal and Installation"](#).
 - Remove the seatback center bracket mounting bolt.
 - Remove the seatback center bracket from the vehicle.
4. Remove the seat striker.
 - Remove the luggage side lower finisher. Refer to [INT-33, "Removal and Installation"](#).
 - Remove the seat striker mounting bolt.
 - Remove the seat striker from the vehicle.

INSTALLATION

Install in the reverse order of removal.

CAUTION:

When removing and installing, use shop cloths to protect parts from damage.

REAR SEAT

< REMOVAL AND INSTALLATION >

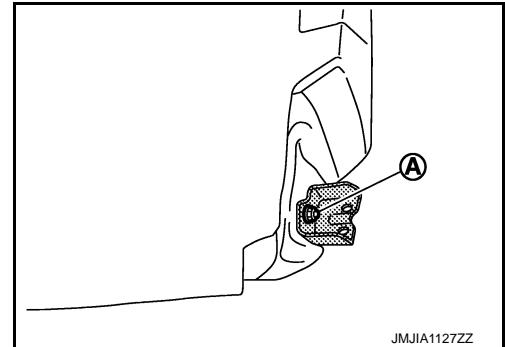
Disassembly and Assembly

INFOID:000000006201391

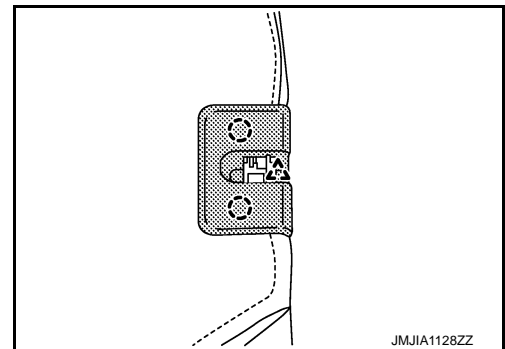
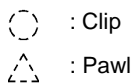
SEATBACK

Disassembly

1. Remove the seatback side bracket.
Remove the mounting bolt (A), and then remove seatback side bracket.

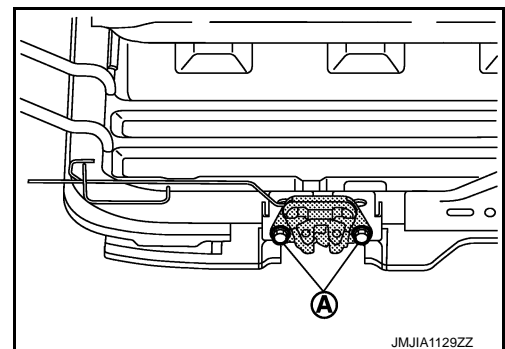


2. Remove the seatback trim and seatback pad.
 - Turn seatback lock knob counterclockwise to remove.
 - Remove the clips and pawl, and the seatback lock finisher.



- Remove the seatback trim and seatback pad from the seatback frame.
- Remove the hog rings to separate the seatback trim and seatback pad.

3. Remove the seatback silencer.
4. Remove the seatback lock assembly.
Remove the mounting bolts (A), and then remove seatback lock assembly.



Assembly

Assemble in the reverse order of disassembly.

CAUTION:

Install the hog rings of seatback trim in position, and then securely connect the trim or trim cord with the seatback frame and pad wire.

SEAT CUSHION

Disassembly

Remove the hog rings to separate the seat cushion trim and seat cushion pad.

Assembly

Assemble in the reverse order of disassembly.

A
B
C
D
E
F
G
H
I
SE
K
L
M
N
O
P

REAR SEAT

< REMOVAL AND INSTALLATION >

CAUTION:

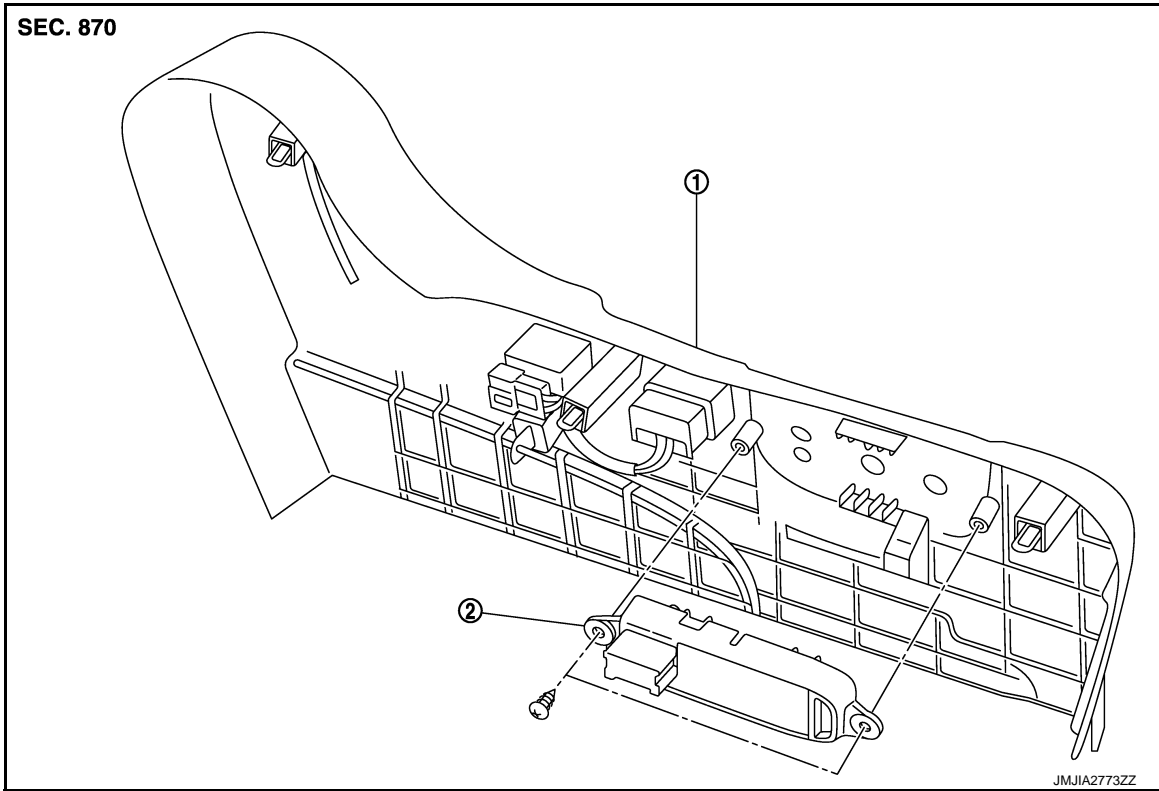
Install the hog rings of seat cushion trim in position, and then securely connect the trim cord with the seat cushion frame and pad wire.

POWER SEAT SWITCH

< REMOVAL AND INSTALLATION >

POWER SEAT SWITCH

Exploded View



1. Seat cushion outer finisher
2. Power seat switch

Removal and Installation

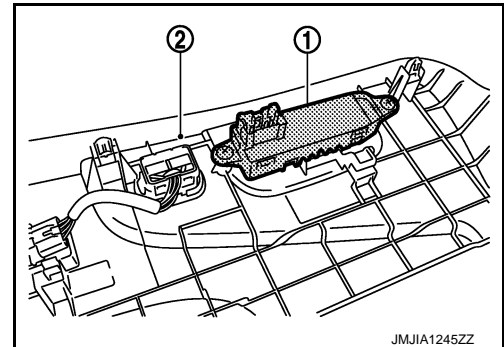
INFOID:000000006201393

REMOVAL

CAUTION:

When removing and installing, use shop cloths to protect parts from damage.

1. Remove the seat cushion outer finisher (2). Refer to [SE-30](#), "[Removal and Installation](#)".
2. Remove the power seat switch (1) from the seat cushion outer finisher (2).



INSTALLATION

Install in the reverse order of removal.

A
B
C
D
E
F
G
H
I
SE
K
L
M
N
O
P

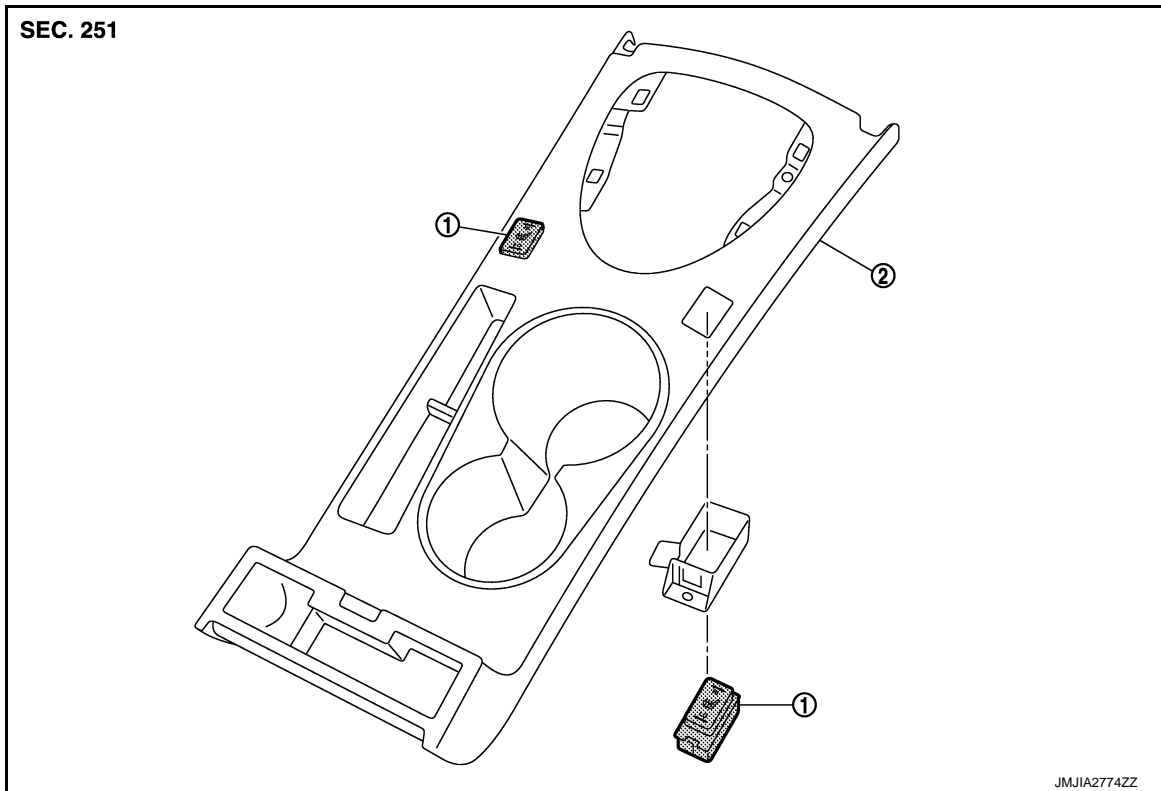
HEATED SEAT SWITCH

< REMOVAL AND INSTALLATION >

HEATED SEAT SWITCH

Exploded View

INFOID:000000006201394



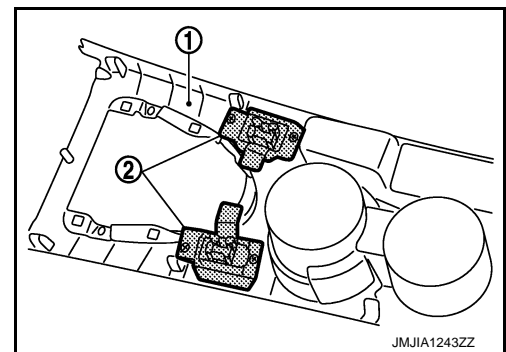
1. Heated seat switch
2. Console switch panel

Removal and Installation

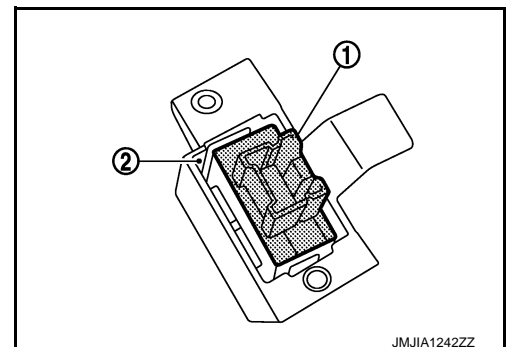
INFOID:000000006201395

REMOVAL

1. Remove the console switch panel (1). Refer to [P-22. "Removal and Installation"](#)
2. Remove the mounting screw.
3. Remove heated seat switch bracket (2) from console switch panel(1).



4. Remove heated seat switch (1) from heated seat switch bracket (2).



HEATED SEAT SWITCH

< REMOVAL AND INSTALLATION >

INSTALLATION

Install in the reverse order of removal.

A

B

C

D

E

F

G

H

I

SE

K

L

M

N

O

P