

SECTION **RSU**  
 REAR SUSPENSION

A  
B  
C  
D

RSU

CONTENTS

<b>SYMPTOM DIAGNOSIS</b> .....	2	<b>SUSPENSION ARM</b> .....	12	F
<b>NOISE, VIBRATION AND HARSHNESS (NVH) TROUBLESHOOTING</b> .....	2	Exploded View .....	12	
NVH Troubleshooting Chart .....	2	Removal and Installation .....	12	
<b>PRECAUTION</b> .....	3	Inspection .....	13	G
<b>PRECAUTIONS</b> .....	3	<b>LOWER LINK</b> .....	14	
Precautions for Suspension .....	3	Exploded View .....	14	
<b>PREPARATION</b> .....	4	Removal and Installation .....	14	H
<b>PREPARATION</b> .....	4	Inspection .....	15	
Commercial Service Tool .....	4	<b>UPPER LINK</b> .....	16	I
<b>PERIODIC MAINTENANCE</b> .....	5	Exploded View .....	16	
<b>REAR SUSPENSION ASSEMBLY</b> .....	5	Removal and Installation .....	16	
Inspection and Adjustment .....	5	Inspection .....	17	J
<b>WHEEL ALIGNMENT</b> .....	6	<b>REAR STABILIZER</b> .....	18	
Inspection .....	6	Exploded View .....	18	
Adjustment .....	6	Removal and Installation .....	18	K
<b>REMOVAL AND INSTALLATION</b> .....	8	Inspection .....	19	
<b>COIL SPRING</b> .....	8	<b>UNIT REMOVAL AND INSTALLATION</b> .....	20	L
Exploded View .....	8	<b>REAR SUSPENSION MEMBER</b> .....	20	
Removal and Installation .....	8	Exploded View .....	20	
Inspection .....	9	Removal and Installation .....	20	M
<b>REAR SHOCK ABSORBER</b> .....	10	Inspection .....	21	
Exploded View .....	10	<b>SERVICE DATA AND SPECIFICATIONS (SDS)</b> .....	22	N
Removal and Installation .....	10	<b>SERVICE DATA AND SPECIFICATIONS (SDS)</b> .....	22	
Inspection .....	11	Wheel Alignment .....	22	O
Disposal .....	11	Wheelarch Height .....	22	P

# NOISE, VIBRATION AND HARSHNESS (NVH) TROUBLESHOOTING

< SYMPTOM DIAGNOSIS >

## SYMPTOM DIAGNOSIS

### NOISE, VIBRATION AND HARSHNESS (NVH) TROUBLESHOOTING

#### NVH Troubleshooting Chart

INFOID:000000007350797

Use chart below to find the cause of the symptom. If necessary, repair or replace these parts.

Symptom		Possible cause and SUSPECTED PARTS													Reference		
		Improper installation, looseness	Shock absorber deformation, damage or deflection	Bushing or mounting deterioration	Parts interference	Spring fatigue	Suspension looseness	Incorrect wheel alignment	Stabilizer bar fatigue	PROPELLER SHAFT (AWD)	DIFFERENTIAL (AWD)	REAR AXLE AND REAR SUSPENSION	TIRE	ROAD WHEEL		DRIVE SHAFT (AWD)	BRAKE
REAR SUSPENSION	Noise	x	x	x	x	x	x			x	x	x	x	x	x	x	RSU-8, RSU-10, RSU-12, RSU-14, RSU-16, RSU-18
	Shake	x	x	x	x		x			x		x	x	x	x		RSU-11
	Vibration	x	x	x	x	x				x		x	x		x		—
	Shimmy	x	x	x	x			x				x	x	x			—
	Judder	x	x	x								x	x	x			—
	Poor quality ride or handling	x	x	x	x	x		x	x			x	x	x			RSU-8, RSU-10, RSU-12, RSU-14, RSU-16, RSU-18
																	RSU-6
																	RSU-19
																	NVH in DLN section
																	NVH in DLN section
																	NVH in RAX and RSU sections
																	NVH in WT section
																	NVH in WT section
																	NVH in RAX section
																	NVH in BR section

x: Applicable

# PRECAUTIONS

< PRECAUTION >

## PRECAUTION

### PRECAUTIONS

#### Precautions for Suspension

INFOID:000000007350798

- When installing rubber bushings, the final tightening must be carried out under unladen conditions with tires on ground. Spilled oil might shorten the life of rubber bushings. Be sure to wipe off any spilled oil.
- Unladen conditions mean that fuel, engine coolant and lubricant are full. Spare tire, jack, hand tools and mats are in designated positions.
- After servicing suspension parts, be sure to check wheel alignment.
- Self-lock nuts are not reusable. Always use new ones when installing. Since new self-lock nuts are pre-oiled, tighten as they are.

A

B

C

D

RSU

F

G

H

I

J

K

L

M

N

O

P

# PREPARATION

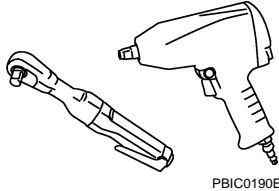
< PREPARATION >

## PREPARATION

### PREPARATION

#### Commercial Service Tool

INFOID:000000007350799

Tool name	Description
Power tool  PBIC0190E	Loosening bolts and nuts

# REAR SUSPENSION ASSEMBLY

< PERIODIC MAINTENANCE >

## PERIODIC MAINTENANCE

### REAR SUSPENSION ASSEMBLY

#### Inspection and Adjustment

INFOID:000000007350800

#### COMPONENT PART

Check the mounting conditions (looseness, backlash) of each component and component conditions (wear, damage) are normal.

#### SHOCK ABSORBER

Check for oil leakage and damage, and replace if necessary.

A  
B  
C  
D  
F  
G  
H  
I  
J  
K  
L  
M  
N  
O  
P

RSU

# WHEEL ALIGNMENT

< PERIODIC MAINTENANCE >

## WHEEL ALIGNMENT

---

### Inspection

INFOID:000000007350801

#### DESCRIPTION

- Measure wheel alignment under unladen conditions.

#### NOTE:

“Unladen conditions” means that fuel, engine coolant, and lubricant are full. Spare tire, jack, hand tools and mats are in designated positions.

#### PRELIMINARY CHECK

Check the following:

- Tires for improper air pressure and wear. Refer to [WT-49, "Tire Air Pressure"](#).
- Road wheels for runout.
- Wheel bearing axial end play. Refer to [RAX-6, "Inspection"](#) (2WD), [RAX-14, "Inspection"](#) (AWD).
- Shock absorber operation.
- Each mounting point of axle and suspension for looseness and deformation.
- Each of front lower link, rear lower link, radius rod, rear suspension member, suspension arm and shock absorber for cracks, deformation, and other damage.
- Vehicle height (posture).

#### GENERAL INFORMATION AND RECOMMENDATIONS

- A four-wheel thrust alignment should be performed.
- This type of alignment is recommended for any NISSAN/INFINITI vehicle.
- The four-wheel “thrust” process helps ensure that the vehicle is properly aligned and the steering wheel is centered.
- The alignment rack itself should be capable of accepting any NISSAN/INFINITI vehicle.
- The rack should be checked to ensure that it is level.
- Make sure the machine is properly calibrated.
- Your alignment equipment should be regularly calibrated in order to give correct information.
- Check with the manufacturer of your specific equipment for their recommended Service/Calibration Schedule.

#### ALIGNMENT PROCESS

##### IMPORTANT:

Use only the alignment specifications listed in this Service Manual.

- When displaying the alignment settings, many alignment machines use “indicators”: (Green/red, plus or minus, Go/No Go). **Do not use these indicators.**
- The alignment specifications programmed into your machine that operate these indicators may not be correct.
- This may result in an ERROR.
- Most camera-type alignment machines are equipped with both “Rolling Compensation” method and optional “Jacking Compensation” method to “compensate” the alignment targets or head units. “Rolling Compensation” is the preferred method.
- If using the “Rolling Compensation” method, after installing the alignment targets or head units, push or pull on the rear wheel to move the vehicle. **Do not push or pull on the vehicle body.**
- If using the “Jacking Compensation” method, after installing the alignment targets or head units, raise the vehicle and rotate the wheels 1/2 turn both ways.

##### NOTE:

- Do not use the “Rolling Compensation” method if you are using sensor-type alignment equipment.
- Follow all instructions for the alignment machine you're using for more information.

### Adjustment

INFOID:000000007350802

#### CAMBER

# WHEEL ALIGNMENT

## < PERIODIC MAINTENANCE >

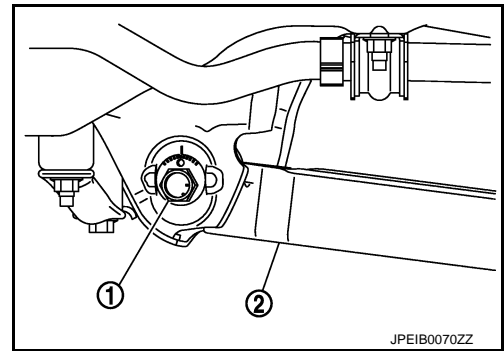
If camber is outside the standard value, adjust with adjusting bolt (1) in lower link (2).

### Standard

Camber: Refer to [RSU-22, "Wheel Alignment"](#).

### CAUTION:

After adjusting camber, be sure to check toe-in.



## TOE-IN

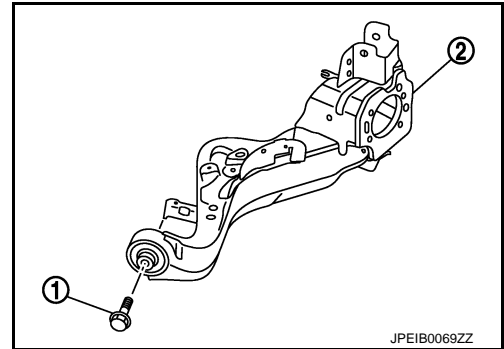
If toe-in is not within the specification, adjust with adjusting bolt (1) in suspension arm (2).

### Standard

Toe-In: Refer to [RSU-22, "Wheel Alignment"](#).

### CAUTION:

- Be sure to adjust equally on RH and LH side with adjusting bolt.
- When tightening the nut firmly and checking the torque, use a wrench to prevent the turning of the bolt.
- If toe-in is not still within the specification, inspect and replace any damaged or worn suspension parts.
- After toe-in adjustment, adjust neutral position of steering angle sensor. (With VDC) Refer to [BRC-76, "ADJUSTMENT OF STEERING ANGLE SENSOR NEUTRAL POSITION : Special Repair Requirement"](#).



A  
B  
C  
D  
RSU  
F  
G  
H  
I  
J  
K  
L  
M  
N  
O  
P

# COIL SPRING

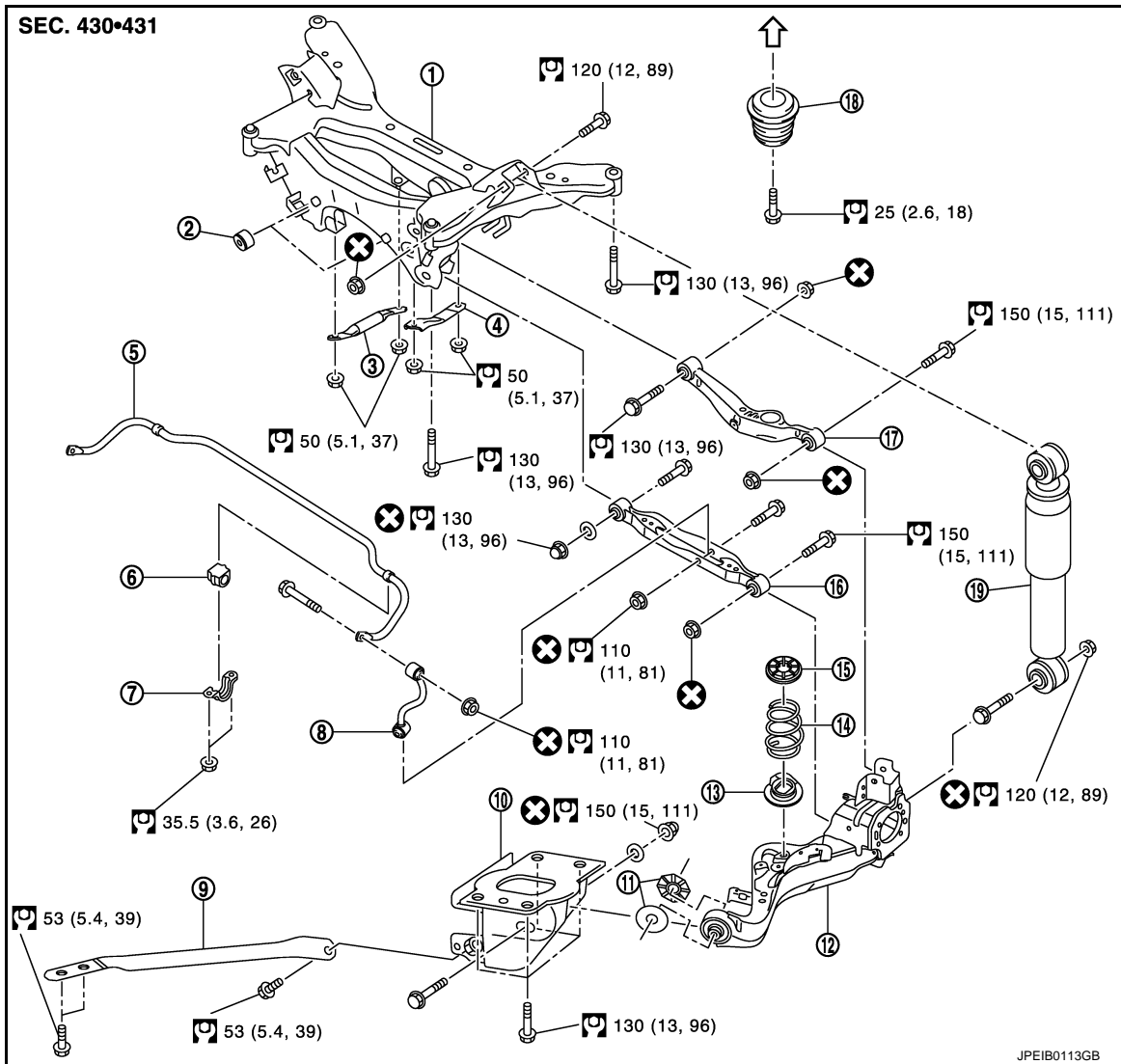
< REMOVAL AND INSTALLATION >

## REMOVAL AND INSTALLATION

### COIL SPRING

Exploded View

INFOID:000000007350803



- |                                       |                                      |  |
|---------------------------------------|--------------------------------------|--|
| 1. Rear suspension member             | 2. Suspension member protector (2WD) | 3. Suspension member stay (right side) |
| 4. Suspension member stay (left side) | 5. Stabilizer bar                    | 6. Stabilizer bushing                  |
| 7. Stabilizer clamp                   | 8. Stabilizer link                   | 9. Suspension bar                      |
| 10. Suspension arm bracket            | 11. Arm stopper                      | 12. Suspension arm                     |
| 13. Low rubber seat                   | 14. Coil spring                      | 15. Upper rubber seat                  |
| 16. Lower link                        | 17. Upper link                       | 18. Bound bumper                       |
| 19. Shock absorber                    |                                      |  |

◁ : Vehicle body

Refer to [GI-4. "Components"](#) for symbols in the figure.

## Removal and Installation

INFOID:000000007350804

### REMOVAL

1. Remove tires with power tool.



# COIL SPRING

## < REMOVAL AND INSTALLATION >

2. Remove torque member mounting bolts with power tool. Hang torque member where it does not interfere with work. Refer to [BR-43, "BRAKE CALIPER ASSEMBLY : Exploded View"](#).  
**CAUTION:**
  - Fix the disc rotor for wheel hub and bearing assembly with wheel nuts.
  - Never depress brake pedal while brake caliper is removed.
3. Remove wheel sensor from axle housing. Refer to [BRC-67, "REAR WHEEL SENSOR : Exploded View"](#) (Without VDC), [BRC-178, "REAR WHEEL SENSOR : Exploded View"](#) (With VDC).  
**CAUTION:**  
**Never pull on wheel sensor harness.**
4. Set suitable jack under suspension arm.
5. Remove shock absorber from suspension arm.
6. Remove lower link from suspension arm.
7. Remove upper link from suspension arm.
8. Remove drive shaft (AWD). Refer to [RAX-16, "Exploded View"](#).
9. Remove coil spring and rubber seat (upper/lower).

## INSTALLATION

Note the following, and install in the reverse order of removal.

- Match up lower rubber seat indentions and suspension arm grooves and attach.

### **CAUTION:**

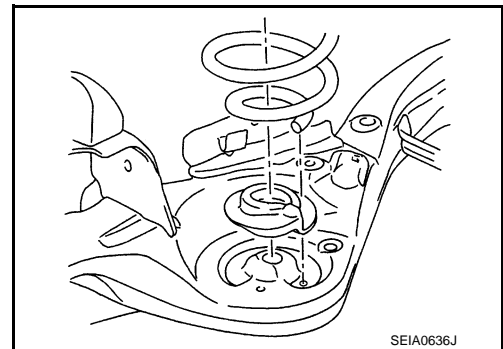
**The lower rubber seat protrusion shall be securely inserted into the hole of suspension arm.**

- Install coil spring by aligning lower end of the large diameter side to step between lower rubber seat and suspension arm.

### **CAUTION:**

**Assemble coil spring so that spring lower end is located spring end holding section of lower rubber seat.**

- Perform the final tightening of rear suspension member and axle installation position (rubber bushing) under unladen condition with tires on level ground.



INFOID:000000007350805

## Inspection

### INSPECTION AFTER REMOVAL

Check lower link, bushing and coil spring for deformation, crack, and damage. Replace it if necessary.

### INSPECTION AFTER INSTALLATION

Check wheel alignment. Refer to [RSU-6, "Inspection"](#).

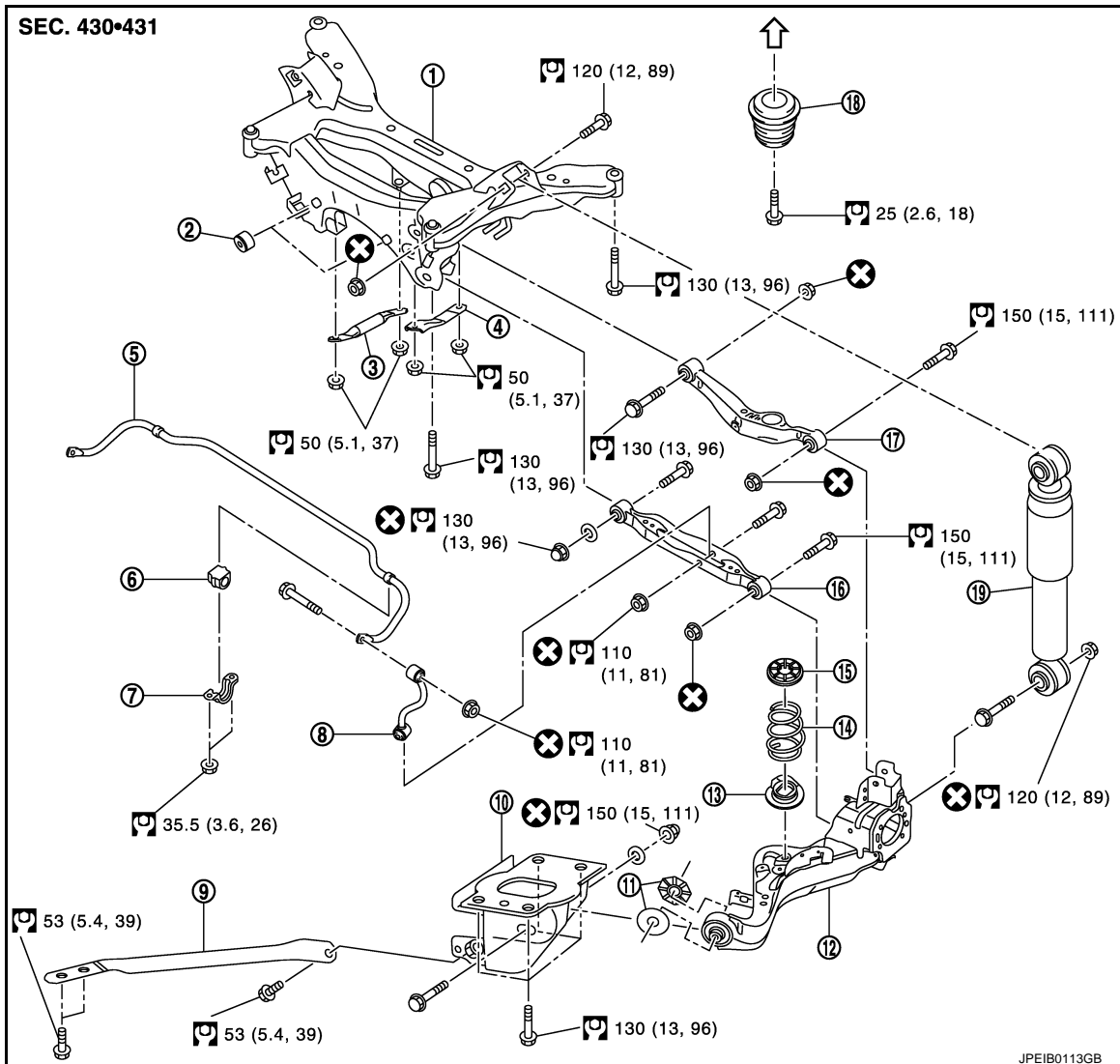
# REAR SHOCK ABSORBER

< REMOVAL AND INSTALLATION >

## REAR SHOCK ABSORBER

Exploded View

INFOID:000000007350806



- |                                       |                                      |  |
|---------------------------------------|--------------------------------------|--|
| 1. Rear suspension member             | 2. Suspension member protector (2WD) | 3. Suspension member stay (right side) |
| 4. Suspension member stay (left side) | 5. Stabilizer bar                    | 6. Stabilizer bushing                  |
| 7. Stabilizer clamp                   | 8. Stabilizer link                   | 9. Suspension bar                      |
| 10. Suspension arm bracket            | 11. Arm stopper                      | 12. Suspension arm                     |
| 13. Low rubber seat                   | 14. Coil spring                      | 15. Upper rubber seat                  |
| 16. Lower link                        | 17. Upper link                       | 18. Bound bumper                       |
| 19. Shock absorber                    |                                      |  |

↔ : Vehicle body

Refer to [GI-4, "Components"](#) for symbols in the figure.

## Removal and Installation

INFOID:000000007350807

### REMOVAL

1. Remove tires with power tool.
2. Set suitable jack under suspension arm to relieve the coil spring tension.

# REAR SHOCK ABSORBER

## < REMOVAL AND INSTALLATION >

3. Remove shock absorber.

### INSTALLATION

Note the following, and install in the reverse order of removal.

- Perform final tightening of bolts and nuts at the shock absorber lower side (rubber bushing), under unladen conditions with tires on level ground.

### Inspection

INFOID:000000007350808

### INSPECTION AFTER REMOVAL

- Check shock absorber for deformation, cracks, damage. Replace it if necessary.
- Check welded and sealed areas for oil leakage. Replace it if necessary.

### INSPECTION AFTER INSTALLATION

Check wheel alignment. Refer to [RSU-6, "Inspection"](#).

### Disposal

INFOID:000000007350809

RSU

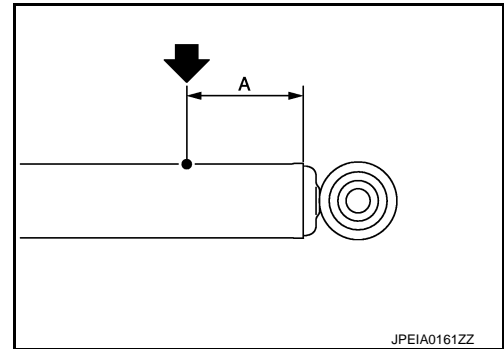
1. Set shock absorber horizontally to the ground with the piston rod fully extracted.
2. Drill 2 – 3 mm (0.08 – 0.12 in) hole at the position (●) from top as shown in the figure to release gas gradually.

#### CAUTION:

- **Wear eye protection (safety glasses).**
- **Wear gloves.**
- **Be careful with metal chips or oil blown out by the compressed gas.**

#### NOTE:

- Drill vertically in this direction (←).
- Directly to the outer tube avoiding brackets.
- The gas is clear, colorless, odorless, and harmless.



**A: 20 – 30 mm (0.79 – 1.18 in)**

3. Position the drilled hole downward and drain oil by moving the piston rod several times.

#### CAUTION:

**Dispose of drained oil according to the law and local regulations.**

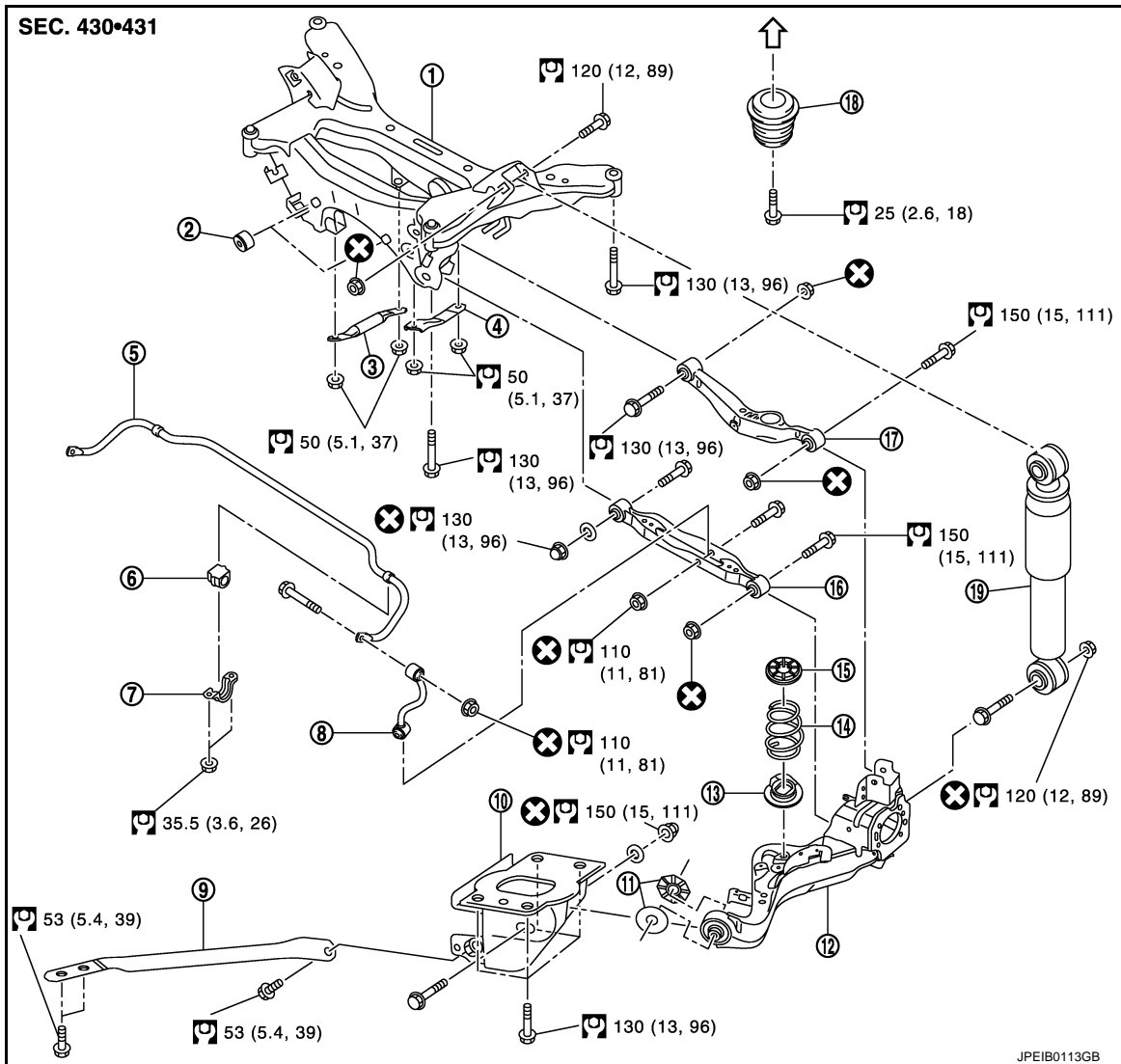
# SUSPENSION ARM

< REMOVAL AND INSTALLATION >

## SUSPENSION ARM

Exploded View

INFOID:000000007350810



- |                                       |                                      |  |
|---------------------------------------|--------------------------------------|--|
| 1. Rear suspension member             | 2. Suspension member protector (2WD) | 3. Suspension member stay (right side) |
| 4. Suspension member stay (left side) | 5. Stabilizer bar                    | 6. Stabilizer bushing                  |
| 7. Stabilizer clamp                   | 8. Stabilizer link                   | 9. Suspension bar                      |
| 10. Suspension arm bracket            | 11. Arm stopper                      | 12. Suspension arm                     |
| 13. Low rubber seat                   | 14. Coil spring                      | 15. Upper rubber seat                  |
| 16. Lower link                        | 17. Upper link                       | 18. Bound bumper                       |
| 19. Shock absorber                    |                                      |  |

↳ : Vehicle body

Refer to [GI-4, "Components"](#) for symbols in the figure.

## Removal and Installation

INFOID:000000007350811

### REMOVAL

1. Remove tires with power tool.
2. Drain brake fluid. Refer to [BR-11, "Draining"](#).

# SUSPENSION ARM

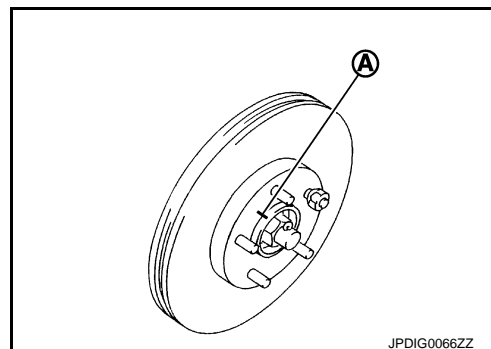
## < REMOVAL AND INSTALLATION >

3. Remove torque member mounting bolts. Hang torque member where it does not interfere with work. Refer to [BR-43, "BRAKE CALIPER ASSEMBLY : Exploded View"](#). A
4. Remove disc rotor. Refer to [BR-43, "BRAKE CALIPER ASSEMBLY : Removal and Installation"](#).  
**CAUTION:**
  - Put matching marks on the wheel hub and bearing assembly and the disc rotor before removing the disc rotor. B
  - Never drop disc rotor.
5. Remove wheel sensor and sensor harness from axle housing and lower link. Refer to [BRC-67, "REAR WHEEL SENSOR : Exploded View"](#) (Without VDC), [BRC-178, "REAR WHEEL SENSOR : Exploded View"](#) (With VDC). C  
**CAUTION:**  
Never pull on wheel sensor harness. D
6. Remove parking brake cable mounting bolt. Refer to [PB-6, "Exploded View"](#).
7. Separate the brake tube from the brake hose, and remove lock plate. Refer to [BR-24, "REAR : Exploded View"](#). RSU
8. Remove stabilizer link.
9. Set suitable jack under suspension arm to relieve the coil spring tension.
10. Remove coil spring from suspension arm. F
11. Remove suspension arm and arm stopper from vehicle. G

## INSTALLATION

Note the following and, install in the reverse order of removal.

- Align the matching marks (A) made during removal when reusing the disc rotor. H
- After installation, perform the air bleeding. Refer to [BR-12, "Bleeding Brake System"](#). I
- Perform final tightening of rear suspension member installation position (rubber bushing), under unladen conditions with tires on level ground. J



INFOID:000000007350812 K

## Inspection

### INSPECTION AFTER REMOVAL

#### Visual Inspection

Check suspension arm and bushing for deformation, cracks or damage. Replace it if necessary. L

### INSPECTION AFTER INSTALLATION

1. Adjust parking brake operation (stroke). Refer to [PB-3, "Inspection and Adjustment"](#). M
2. Check wheel alignment. Refer to [RSU-6, "Inspection"](#). N

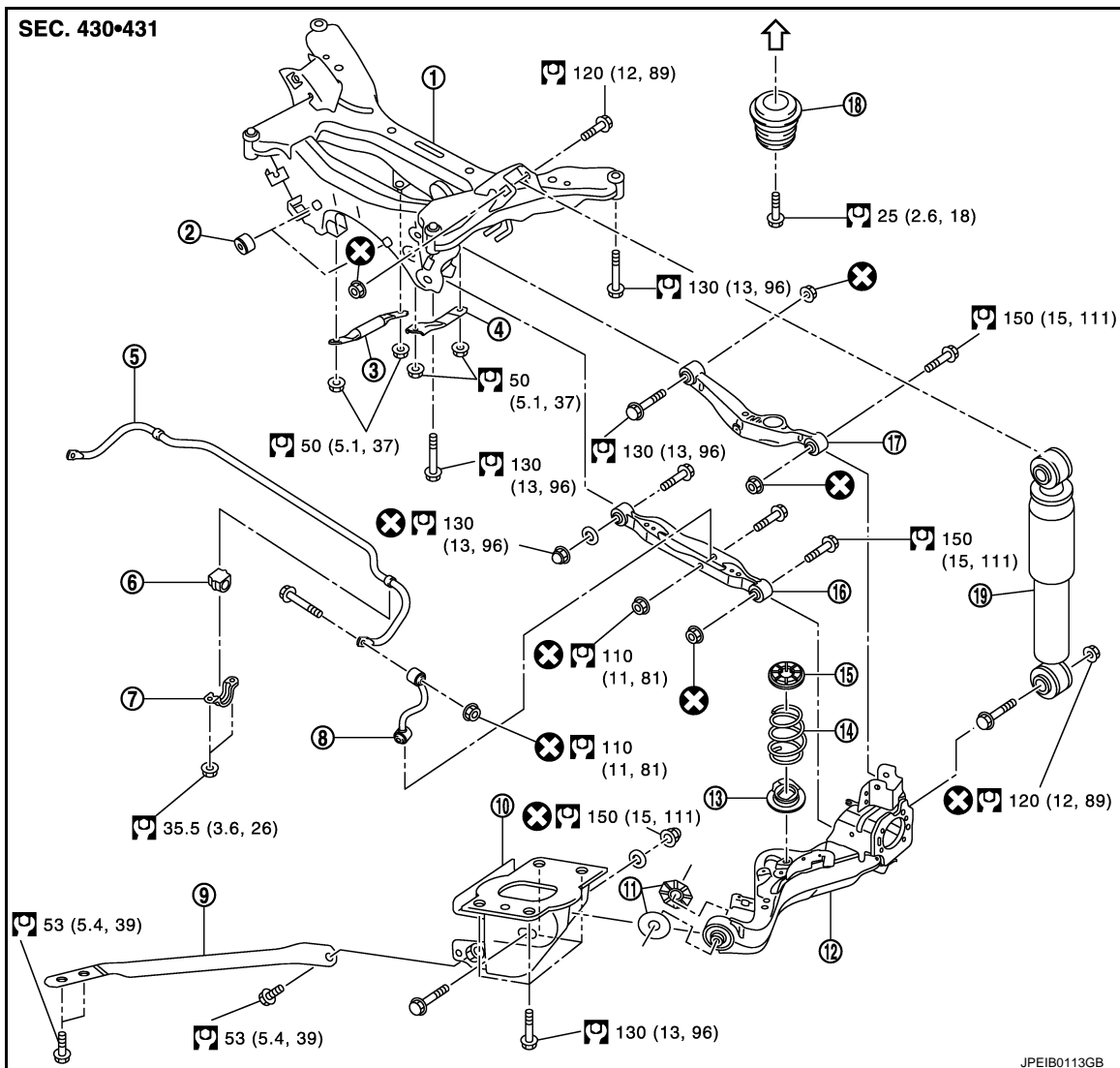
# LOWER LINK

< REMOVAL AND INSTALLATION >

## LOWER LINK

Exploded View

INFOID:000000007350813



- |                                       |                                      |  |
|---------------------------------------|--------------------------------------|--|
| 1. Rear suspension member             | 2. Suspension member protector (2WD) | 3. Suspension member stay (right side) |
| 4. Suspension member stay (left side) | 5. Stabilizer bar                    | 6. Stabilizer bushing                  |
| 7. Stabilizer clamp                   | 8. Stabilizer link                   | 9. Suspension bar                      |
| 10. Suspension arm bracket            | 11. Arm stopper                      | 12. Suspension arm                     |
| 13. Low rubber seat                   | 14. Coil spring                      | 15. Upper rubber seat                  |
| 16. Lower link                        | 17. Upper link                       | 18. Bound bumper                       |
| 19. Shock absorber                    |                                      |  |

← : Vehicle body

Refer to [GI-4, "Components"](#) for symbols in the figure.

## Removal and Installation

INFOID:000000007350814

### REMOVAL

1. Remove tires with power tool.
2. Remove stabilizer link.

# LOWER LINK

## < REMOVAL AND INSTALLATION >

---

3. Set suitable jack under suspension arm to relieve the coil spring tension.
4. Remove lower link from suspension arm with power tool.
5. Remove lower link from suspension member with power tool.

### INSTALLATION

Note the following, and install in the reverse order of removal.

- Perform final tightening of rear suspension member and axle installation position (rubber bushing), under unladen conditions with tires on level ground.

### Inspection

INFOID:000000007350815

### INSPECTION AFTER REMOVAL

Check lower link and bushing for any deformation, cracks, or damage. Replace it if necessary.

### INSPECTION AFTER INSTALLATION

Check wheel alignment. Refer to [RSU-6, "Inspection"](#).

A

B

C

D

RSU

F

G

H

I

J

K

L

M

N

O

P

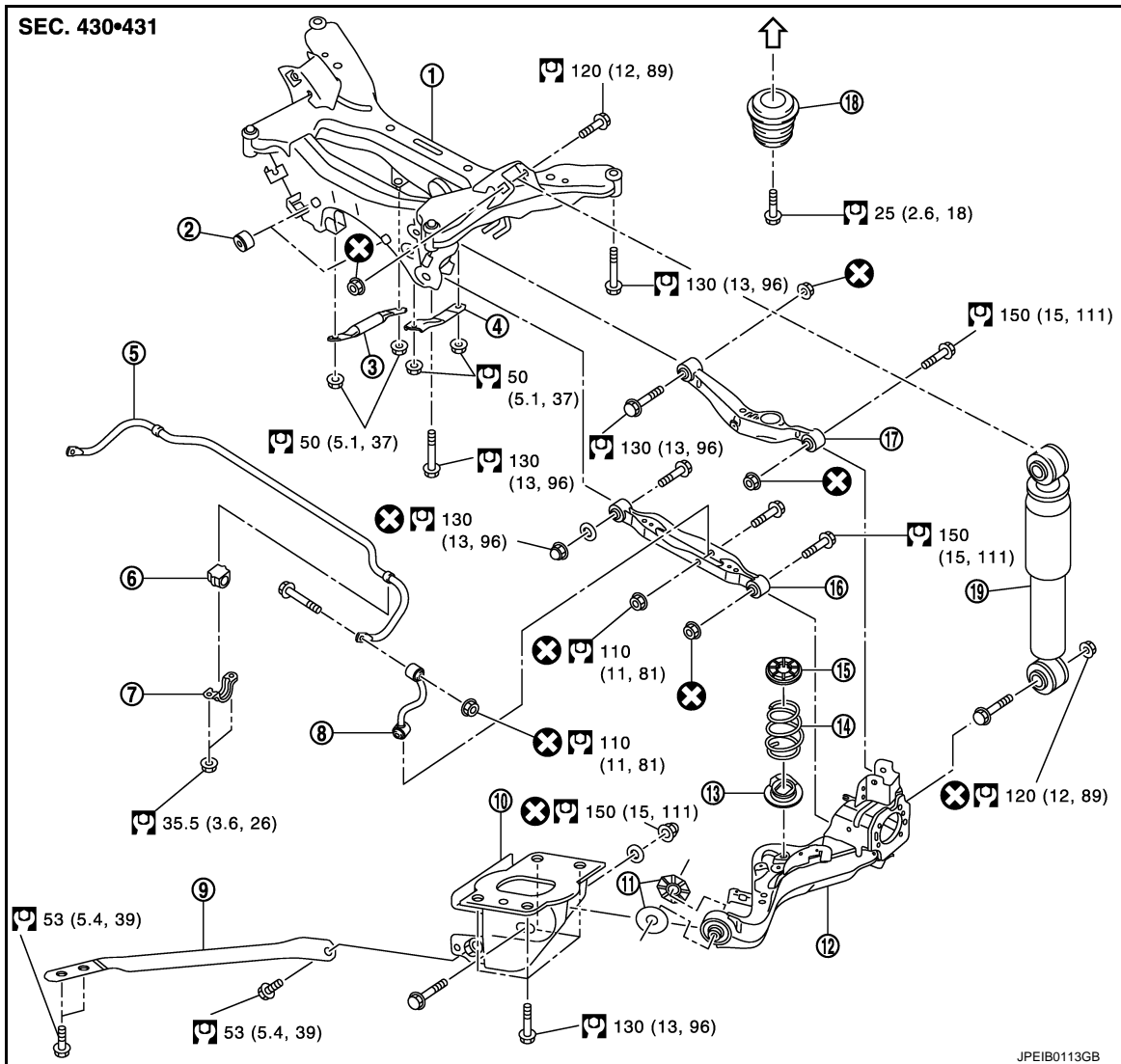
# UPPER LINK

< REMOVAL AND INSTALLATION >

## UPPER LINK

Exploded View

INFOID:000000007350816



- |                                       |                                      |  |
|---------------------------------------|--------------------------------------|--|
| 1. Rear suspension member             | 2. Suspension member protector (2WD) | 3. Suspension member stay (right side) |
| 4. Suspension member stay (left side) | 5. Stabilizer bar                    | 6. Stabilizer bushing                  |
| 7. Stabilizer clamp                   | 8. Stabilizer link                   | 9. Suspension bar                      |
| 10. Suspension arm bracket            | 11. Arm stopper                      | 12. Suspension arm                     |
| 13. Low rubber seat                   | 14. Coil spring                      | 15. Upper rubber seat                  |
| 16. Lower link                        | 17. Upper link                       | 18. Bound bumper                       |
| 19. Shock absorber                    |                                      |  |

↳ : Vehicle body

Refer to [GI-4, "Components"](#) for symbols in the figure.

## Removal and Installation

INFOID:000000007350817

### REMOVAL

1. Remove tires with power tool.
2. Remove wheel sensor harness from suspension arm. Refer to [BRC-67, "REAR WHEEL SENSOR : Exploded View"](#) (Without VDC), [BRC-178, "REAR WHEEL SENSOR : Exploded View"](#) (With VDC).



# UPPER LINK

## < REMOVAL AND INSTALLATION >

---

### **CAUTION:**

**Never pull on wheel sensor harness.**

3. Set suitable jack under suspension arm to relieve the coil spring tension.
4. Remove upper link from suspension arm with power tool.
5. Remove upper link from suspension member with power tool.

### INSTALLATION

Note the following, and install in the reverse order of removal.

- Perform final tightening of rear suspension member and axle installation position (rubber bushing), under unladen conditions with tires on level ground.

### Inspection

INFOID:000000007350818

### INSPECTION AFTER REMOVAL

Check upper link and bushing for any deformation, cracks, or damage. Replace it if necessary.

### INSPECTION AFTER INSTALLATION

Check wheel alignment. Refer to [RSU-6, "Inspection"](#).

A

B

C

D

RSU

F

G

H

I

J

K

L

M

N

O

P

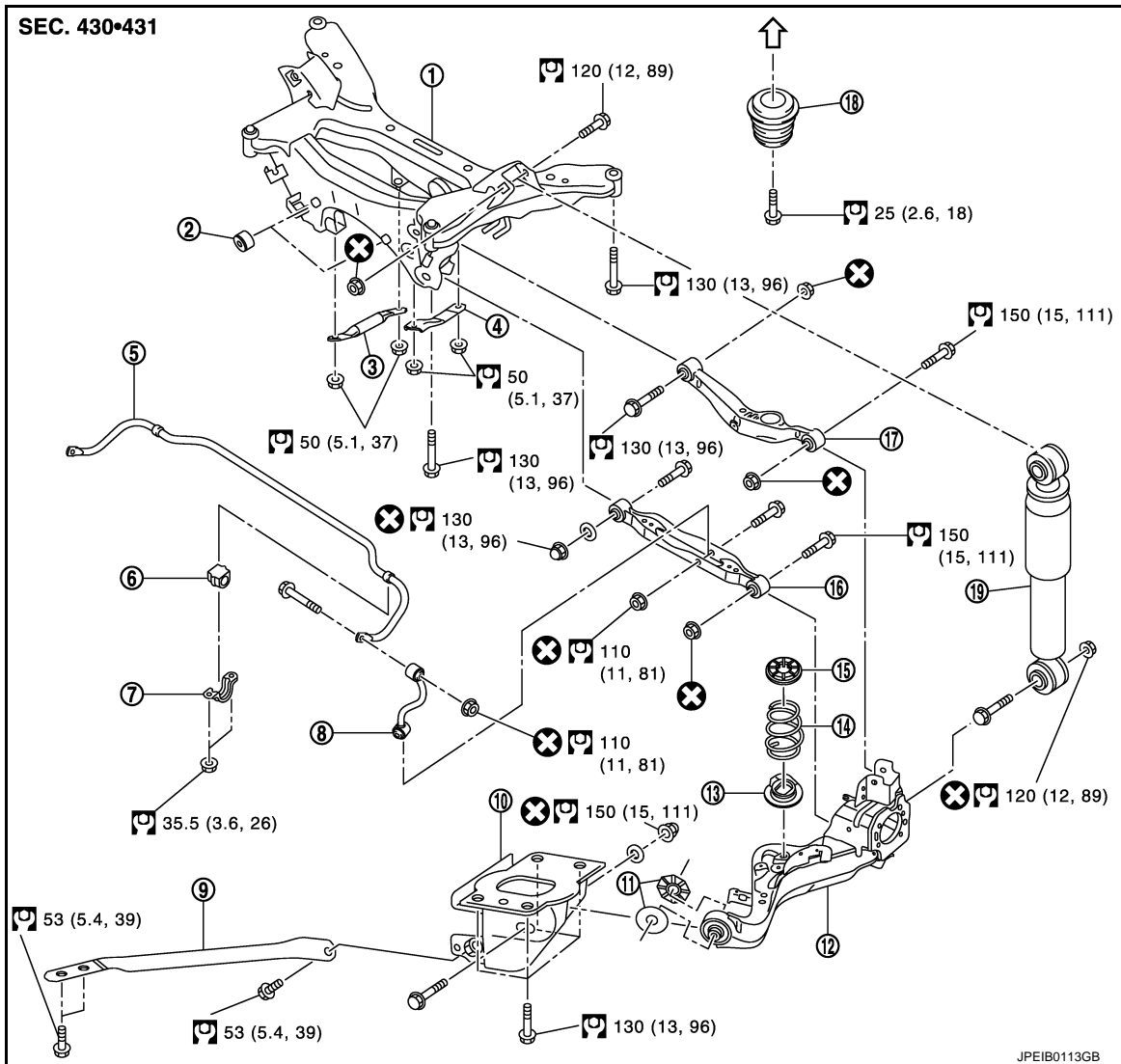
# REAR STABILIZER

< REMOVAL AND INSTALLATION >

## REAR STABILIZER

Exploded View

INFOID:000000007350819



- |                                       |                                      |  |
|---------------------------------------|--------------------------------------|--|
| 1. Rear suspension member             | 2. Suspension member protector (2WD) | 3. Suspension member stay (right side) |
| 4. Suspension member stay (left side) | 5. Stabilizer bar                    | 6. Stabilizer bushing                  |
| 7. Stabilizer clamp                   | 8. Stabilizer link                   | 9. Suspension bar                      |
| 10. Suspension arm bracket            | 11. Arm stopper                      | 12. Suspension arm                     |
| 13. Low rubber seat                   | 14. Coil spring                      | 15. Upper rubber seat                  |
| 16. Lower link                        | 17. Upper link                       | 18. Bound bumper                       |
| 19. Shock absorber                    |                                      |  |

↳ : Vehicle body

Refer to [GI-4, "Components"](#) for symbols in the figure.

## Removal and Installation

INFOID:000000007350820

### REMOVAL

1. Remove stabilizer link.
2. Remove main muffler. Refer to [EX-4, "Exploded View"](#).

# REAR STABILIZER

## < REMOVAL AND INSTALLATION >

---

3. Remove mounting nuts on stabilizer clamp and stabilizer bar from suspension member with power tool.

### INSTALLATION

Install in the reverse order of removal.

### Inspection

INFOID:000000007350821

### INSPECTION AFTER REMOVAL

Check stabilizer bar, stabilizer link, stabilizer bushing and stabilizer clamp for deformation, cracks or damage. Replace it if necessary.

A

B

C

D

RSU

F

G

H

I

J

K

L

M

N

O

P

# REAR SUSPENSION MEMBER

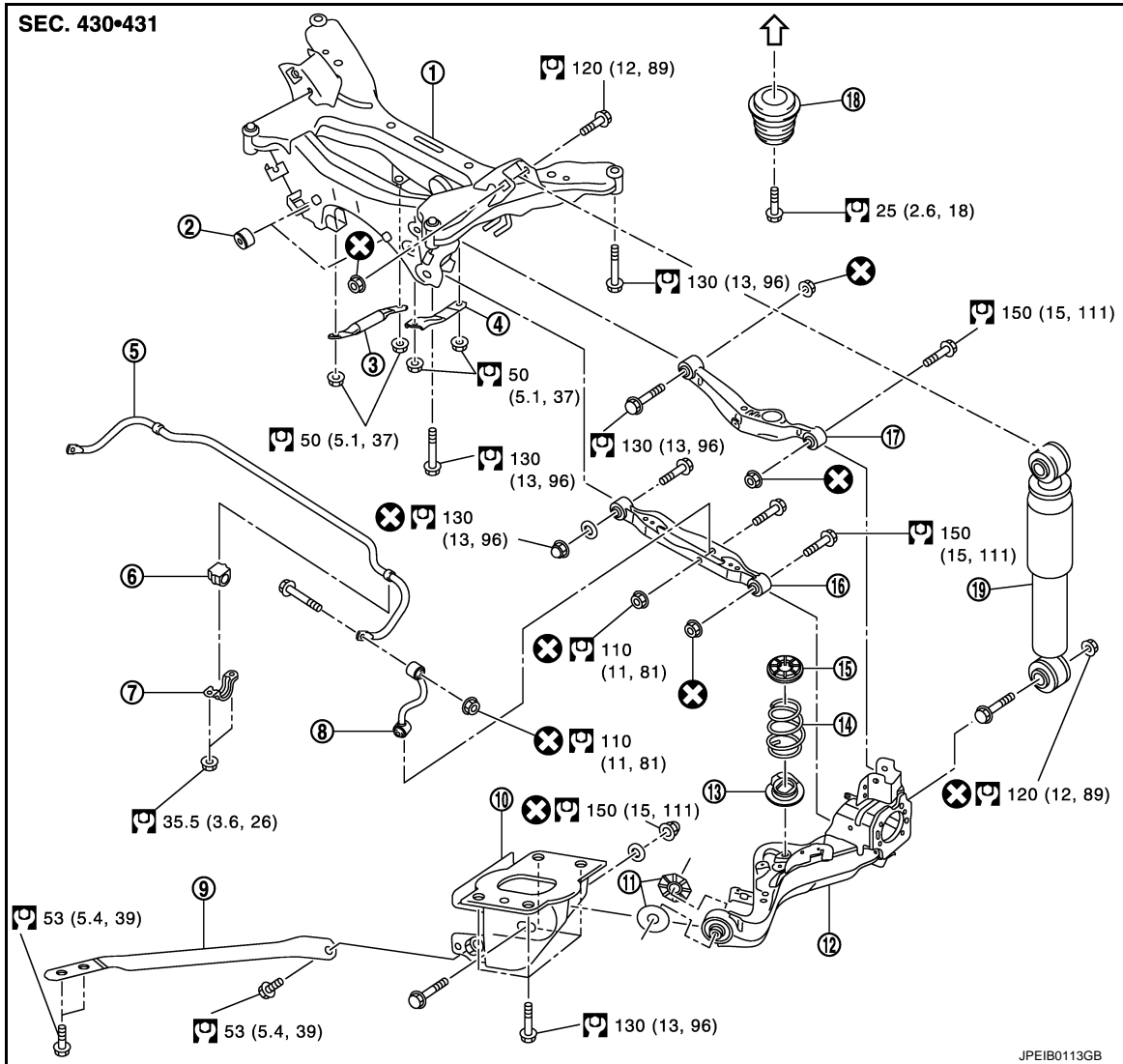
< UNIT REMOVAL AND INSTALLATION >

## UNIT REMOVAL AND INSTALLATION

### REAR SUSPENSION MEMBER

Exploded View

INFOID:000000007350822



- |                                       |                                      |  |
|---------------------------------------|--------------------------------------|--|
| 1. Rear suspension member             | 2. Suspension member protector (2WD) | 3. Suspension member stay (right side) |
| 4. Suspension member stay (left side) | 5. Stabilizer bar                    | 6. Stabilizer bushing                  |
| 7. Stabilizer clamp                   | 8. Stabilizer link                   | 9. Suspension bar                      |
| 10. Suspension arm bracket            | 11. Arm stopper                      | 12. Suspension arm                     |
| 13. Low rubber seat                   | 14. Coil spring                      | 15. Upper rubber seat                  |
| 16. Lower link                        | 17. Upper link                       | 18. Bound bumper                       |
| 19. Shock absorber                    |                                      |  |

◁ : Vehicle body

Refer to [GI-4. "Components"](#) for symbols in the figure.

## Removal and Installation

INFOID:000000007350823

### REMOVAL

1. Remove tires with power tool.

# REAR SUSPENSION MEMBER

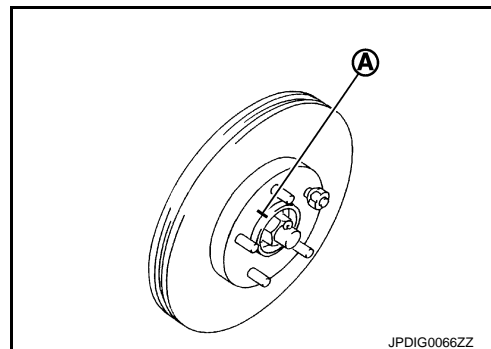
## < UNIT REMOVAL AND INSTALLATION >

2. Remove torque member mounting bolts. Hang torque member where it does not interfere with work. Refer to [BR-43, "BRAKE CALIPER ASSEMBLY : Exploded View"](#).  
**CAUTION:**  
**Never depressing brake pedal while brake caliper is removed.**
3. Remove disc rotor. Refer to [BR-43, "BRAKE CALIPER ASSEMBLY : Removal and Installation"](#).  
**CAUTION:**
  - Put matching marks on the wheel hub and bearing assembly and the disc rotor before removing the disc rotor.
  - Never drop disc rotor.
4. Remove wheel sensor and sensor harness from axle housing and lower link. Refer to [BRC-67, "REAR WHEEL SENSOR : Exploded View"](#) (Without VDC), [BRC-178, "REAR WHEEL SENSOR : Exploded View"](#) (With VDC).  
**CAUTION:**  
**Never pull on wheel sensor harness.**
5. Remove parking brake cable mounting bolts and separate parking brake cable from suspension arm. Refer to [PB-6, "Exploded View"](#).
6. Remove main muffler. Refer to [EX-4, "Exploded View"](#).
7. Remove stabilizer bar.
8. Remove drive shaft (AWD). Refer to [RAX-16, "Exploded View"](#).
9. Remove propeller shaft (AWD). Refer to [DLN-85, "Exploded View"](#).
10. Remove rear final drive (AWD). Refer to [DLN-104, "Exploded View"](#).
11. Remove shock absorber.
12. Remove coil spring.
13. Set suitable jack under rear suspension member.
14. Remove mounting nuts and bolts from rear suspension member.
15. Slowly lower jack, then remove rear suspension member, lower link and upper link from vehicle as a unit.  
**CAUTION:**  
**Secure suspension assembly to a suitable jack while removing it.**
16. Remove mounting bolts and nuts, then remove lower link, upper link and suspension member protector (2WD) from rear suspension member.

## INSTALLATION

Note the following, and install in the reverse order of the removal.

- When installing suspension member stay, face each arrow on the part toward the inside of the vehicle.
- Align the matching marks (A) made during removal when reusing the disc rotor.
- Perform the final tightening of each parts removed when removing rear suspension assembly under unladen conditions.
- Check wheel sensor harness for proper connection. Refer to [BRC-67, "REAR WHEEL SENSOR : Exploded View"](#) (Without VDC), [BRC-178, "REAR WHEEL SENSOR : Exploded View"](#) (With VDC).



## Inspection

### INSPECTION AFTER REMOVAL

Check rear suspension member for deformation, cracks, or any other damage. Replace it if necessary.

### INSPECTION AFTER INSTALLATION

1. Adjust parking brake operation. Refer to [PB-3, "Inspection and Adjustment"](#).
2. Check wheel alignment. Refer to [RSU-6, "Inspection"](#).

# SERVICE DATA AND SPECIFICATIONS (SDS)

< SERVICE DATA AND SPECIFICATIONS (SDS)

## SERVICE DATA AND SPECIFICATIONS (SDS)

### SERVICE DATA AND SPECIFICATIONS (SDS)

#### Wheel Alignment

INFOID:000000007350825

Item		Standard	
Camber Degree minute (Decimal degree)	Minimum	-1° 25' (-1.42°)	
	Nominal	-0° 55' (-0.92°)	
	Maximum	-0° 25' (-0.42°)	
Toe-in	Total toe-in Distance	Minimum	0 mm (0 in)
		Nominal	In 2 mm (0.08 in)
		Maximum	In 4 mm (0.16 in)
	Total toe-angle Degree minute (Decimal degree)	Minimum	0° 00' (0.00°)
		Nominal	In 0° 09' 36" (In 0.16°)
		Maximum	In 0° 19' 48" (In 0.33°)

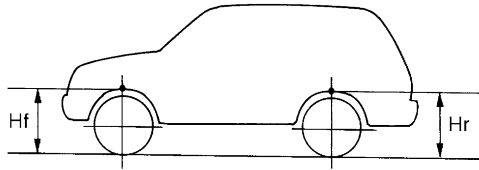
Measure value under unladen\* conditions.

\*: Fuel, engine coolant and lubricant are full. Spare tire, jack, hand tools and mats are in designated positions.

#### Wheelarch Height

INFOID:000000007350826

Wheel size	Front (Hf)	Rear (Hr)
16 inch	789 mm (31.06 in)	811 mm (31.93 in)
17 inch	788 mm (31.02 in)	810 mm (31.89 in)
18 inch	792 mm (31.18 in)	813 mm (32.01 in)



SFA746B

Measure value under unladen\* conditions.

\*: Fuel, engine coolant and lubricant are full. Spare tire, jack, hand tools and mats are in designated positions.