

SECTION **SRC**

SRS AIRBAG CONTROL SYSTEM

A
B
C
D
E
F
G
H
I
J
K
L
M
N
O
P

CONTENTS

FOR USA AND CANADA

<p>BASIC INSPECTION 8</p> <p>DIAGNOSIS AND REPAIR WORK FLOW 8 Work Flow8</p> <p>SYSTEM DESCRIPTION10</p> <p>SRS AIR BAG SYSTEM10 System Diagram 10 System Description 10 Component Parts Location 11 Component Description 12</p> <p>OCCUPANT CLASSIFICATION SYSTEM13 System Diagram 13 System Description 13 Component Parts Location 13 Component Description 14</p> <p>PASSENGER SEAT BELT WARNING SYSTEM15 System Diagram 15 System Description 15 Component Parts Location 16 Component Description 16</p> <p>DIAGNOSIS SYSTEM (AIRBAG)18 Diagnosis Description 18 CONSULT Function 20</p> <p>DTC/CIRCUIT DIAGNOSIS22</p> <p>B1001, B1002, B1003, B1004, B1005 DIAGNOSIS SENSOR UNIT22 Description 22 DTC Logic 22 Diagnosis Procedure 23</p> <p>B1006, B1007, B1008, B1009, B1010 DIAGNOSIS SENSOR UNIT24 Description 24 DTC Logic 24 Diagnosis Procedure 25</p>	<p> Description24 DTC Logic24 Diagnosis Procedure25</p> <p>B1011, B1012, B1013, B1014, B1015 DIAGNOSIS SENSOR UNIT26 Description26 DTC Logic26 Diagnosis Procedure27</p> <p>B1017, B1020, B1021 OCCUPANT SENS C/U28 Description28 DTC Logic28 Diagnosis Procedure29</p> <p>B1018 OCCUPANT SENS30 Description30 DTC Logic30 Diagnosis Procedure31</p> <p>B1022 OCCUPANT SENS C/U32 Description32 DTC Logic32 Diagnosis Procedure33</p> <p>B1023 PASS A/B INDCTR CKT34 Description34 DTC Logic34 Diagnosis Procedure35</p> <p>B1026, B1027, B1028, B1029, B1030, B1031 DIAGNOSIS SENSOR UNIT36 Description36 DTC Logic36 Diagnosis Procedure37</p> <p>B1033, B1034 CRASH ZONE SEN38 Description38 DTC Logic38 Diagnosis Procedure39</p>
-------------------------------------------------------------------------------------------------------------------------------------------------------------------------------------------------------------------------------------------------------------------------------------------------------------------------------------------------------------------------------------------------------------------------------------------------------------------------------------------------------------------------------------------------------------------------------------------------------------------------------------------------------------------------------------------------------------------------------------------------------------------------------------------------------------------------------------------------------------------------------------------------------------------------------------------------------------------------------------------------------------------------------------------------------------------------------------------------------------------------------------------------------------------------------------------------------------------------------------------------------------------------------------------------------------------------------------------------------------------------------------------------------------------------------------------------------------------------------------------------------------	--------------------------------------------------------------------------------------------------------------------------------------------------------------------------------------------------------------------------------------------------------------------------------------------------------------------------------------------------------------------------------------------------------------------------------------------------------------------------------------------------------------------------------------------------------------------------------------------------------------------------------------------------------------------------------------------------------------------------------------------------------------------------------------------------------------------------------------------------------------------------------------------------------------------------------------------------------------------------------------------------------------------------------------------------------------------------------------------------------------------------------------------------------------------------------------------------------------------------------------------------------------------------------------------------------------------------------------------------------------------------------------------

SRC

B1035, B1036, B1038, B1040 CRASH ZONE	DTC Logic	66
SEN	Diagnosis Procedure	67
Description		
DTC Logic		
Diagnosis Procedure		
B1042, B1043, B1044, B1045, B1046, B1047		
DIAGNOSIS SENSOR UNIT		
Description		
DTC Logic		
Diagnosis Procedure		
B1049, B1054 DRIVER AIRBAG MODULE		
Description		
DTC Logic		
Diagnosis Procedure		
B1050, B1055 DRIVER AIRBAG MODULE		
Description		
DTC Logic		
Diagnosis Procedure		
B1051, B1056 DRIVER AIRBAG MODULE		
Description		
DTC Logic		
Diagnosis Procedure		
B1052, B1057 DRIVER AIRBAG MODULE		
Description		
DTC Logic		
Diagnosis Procedure		
B1058, B1059, B1060, B1061, B1062, B1063		
DIAGNOSIS SENSOR UNIT		
Description		
DTC Logic		
Diagnosis Procedure		
B1065, B1070 ASSIST A/B MODULE		
Description		
DTC Logic		
Diagnosis Procedure		
B1066, B1071 ASSIST A/B MODULE		
Description		
DTC Logic		
Diagnosis Procedure		
B1067, B1072 ASSIST A/B MODULE		
Description		
DTC Logic		
Diagnosis Procedure		
B1068, B1073 ASSIST A/B MODULE		
Description		
DTC Logic		
Diagnosis Procedure		
B1074, B1075, B1076, B1077, B1078, B1079		
DIAGNOSIS SENSOR UNIT		
Description		
B1081 PRE-TEN FRONT RH		
Description		
DTC Logic		
Diagnosis Procedure		
B1082 PRE-TEN FRONT RH		
Description		
DTC Logic		
Diagnosis Procedure		
B1083 PRE-TEN FRONT RH		
Description		
DTC Logic		
Diagnosis Procedure		
B1084 PRE-TEN FRONT RH		
Description		
DTC Logic		
Diagnosis Procedure		
B1086 PRE-TEN FRONT LH		
Description		
DTC Logic		
Diagnosis Procedure		
B1087 PRE-TEN FRONT LH		
Description		
DTC Logic		
Diagnosis Procedure		
B1088 PRE-TEN FRONT LH		
Description		
DTC Logic		
Diagnosis Procedure		
B1089 PRE-TEN FRONT LH		
Description		
DTC Logic		
Diagnosis Procedure		
B1091, B1093 DIAGNOSIS SENSOR UNIT		
Description		
DTC Logic		
Diagnosis Procedure		
B1106, B1107, B1108, B1109, B1110, B1111		
DIAGNOSIS SENSOR UNIT		
Description		
DTC Logic		
Diagnosis Procedure		
B1113, B1114 SATELLITE SENS RH		
Description		
DTC Logic		
Diagnosis Procedure		
B1115, B1116 SATELLITE SENS RH		
Description		
DTC Logic		

Diagnosis Procedure	91	Diagnosis Procedure	115	A
B1118, B1119 SATELLITE SENS LH	92	B1145 CURTAIN MODULE RH	116	B
Description	92	Description	116	
DTC Logic	92	DTC Logic	116	
Diagnosis Procedure	93	Diagnosis Procedure	117	
B1120, B1121 SATELLITE SENS LH	94	B1146 CURTAIN MODULE RH	118	C
Description	94	Description	118	
DTC Logic	94	DTC Logic	118	
Diagnosis Procedure	95	Diagnosis Procedure	119	
B1122, B1123, B1124, B1125, B1126, B1127		B1147 CURTAIN MODULE RH	120	D
DIAGNOSIS SENSOR UNIT	96	Description	120	
Description	96	DTC Logic	120	
DTC Logic	96	Diagnosis Procedure	121	E
Diagnosis Procedure	97	B1148 CURTAIN MODULE RH	122	F
B1129 SIDE MODULE RH	98	Description	122	
Description	98	DTC Logic	122	
DTC Logic	98	Diagnosis Procedure	123	
Diagnosis Procedure	99	B1150 CURTAIN MODULE LH	124	G
B1130 SIDE MODULE RH	100	Description	124	
Description	100	DTC Logic	124	
DTC Logic	100	Diagnosis Procedure	125	
Diagnosis Procedure	101	B1151 CURTAIN MODULE LH	126	I
B1131 SIDE MODULE RH	102	Description	126	
Description	102	DTC Logic	126	
DTC Logic	102	Diagnosis Procedure	127	
Diagnosis Procedure	103	B1152 CURTAIN MODULE LH	128	J
B1132 SIDE MODULE RH	104	Description	128	
Description	104	DTC Logic	128	
DTC Logic	104	Diagnosis Procedure	129	
Diagnosis Procedure	105	B1153 CURTAIN MODULE LH	130	K
B1134 SIDE MODULE LH	106	Description	130	
Description	106	DTC Logic	130	
DTC Logic	106	Diagnosis Procedure	131	L
Diagnosis Procedure	107	B1155, B1157 DIAGNOSIS SENSOR UNIT ...	132	M
B1135 SIDE MODULE LH	108	Description	132	
Description	108	DTC Logic	132	
DTC Logic	108	Diagnosis Procedure	132	
Diagnosis Procedure	109	B1170, B1171, B1172, B1173, B1174, B1175		N
B1136 SIDE MODULE LH	110	DIAGNOSIS SENSOR UNIT	134	O
Description	110	Description	134	
DTC Logic	110	DTC Logic	134	
Diagnosis Procedure	111	Diagnosis Procedure	135	
B1137 SIDE MODULE LH	112	B1177 PRE-TEN2 FRONT RH	136	P
Description	112	Description	136	
DTC Logic	112	DTC Logic	136	
Diagnosis Procedure	113	Diagnosis Procedure	137	
B1138, B1139, B1140, B1141, B1142, B1143		B1178 PRE-TEN2 FRONT RH	138	
DIAGNOSIS SENSOR UNIT	114	Description	138	
Description	114	DTC Logic	138	
DTC Logic	114	Diagnosis Procedure	139	

SRC

B1179 PRE-TEN2 FRONT RH	140	ECU DIAGNOSIS INFORMATION	163
Description	140	DIAGNOSIS SENSOR UNIT	163
DTC Logic	140	DTC Index	163
Diagnosis Procedure	141	Wiring Diagram — SRS AIR BAG CONTROL SYSTEM —	172
B1180 PRE-TEN2 FRONT RH	142	SYMPTOM DIAGNOSIS	174
Description	142	SRS AIR BAG WARNING LAMP DOES NOT TURN OFF	174
DTC Logic	142	Diagnosis Procedure	174
Diagnosis Procedure	143	SRS AIR BAG WARNING LAMP DOES NOT TURN ON	175
B1182 PRE-TEN2 FRONT LH	144	Diagnosis Procedure	175
Description	144	PASSENGER SEAT BELT WARNING SYSTEM	176
DTC Logic	144	Diagnosis Procedure	176
Diagnosis Procedure	145	PRECAUTION	177
B1183 PRE-TEN2 FRONT LH	146	PRECAUTIONS	177
Description	146	Precaution for Supplemental Restraint System (SRS) "AIR BAG" and "SEAT BELT PRE-TENSIONER"	177
DTC Logic	146	Service	177
Diagnosis Procedure	147	Occupant Classification System Precaution	177
B1184 PRE-TEN2 FRONT LH	148		
Description	148		
DTC Logic	148		
Diagnosis Procedure	149		
B1185 PRE-TEN2 FRONT LH	150		
Description	150		
DTC Logic	150		
Diagnosis Procedure	151		
B1187, B1189 DIAGNOSIS SENSOR UNIT ..	152		
Description	152		
DTC Logic	152		
Diagnosis Procedure	152		
B1202, B1203, B1204, B1205, B1206, B1207 DIAGNOSIS SENSOR UNIT	154		
Description	154		
DTC Logic	154		
Diagnosis Procedure	155		
B1209 FRONTAL COLLISION DETECTION .	156		
Description	156		
DTC Logic	156		
Diagnosis Procedure	156		
B1210 SIDE COLLISION DETECTION	158		
Description	158		
DTC Logic	158		
Diagnosis Procedure	158		
B1211 ROLLOVER DETECTION	160		
Description	160		
DTC Logic	160		
Diagnosis Procedure	160		
B1218, B1219, B1220, B1221, B1222, B1223 DIAGNOSIS SENSOR UNIT	162		
DTC Logic	162		
Diagnosis Procedure	162		
		B1001, B1002, B1003, B1004, B1005 DIAGNOSIS SENSOR UNIT	187
		Description	187
		DTC Logic	187
		Diagnosis Procedure	188
		B1006, B1007, B1008, B1009, B1010 DIAGNOSIS SENSOR UNIT	189
		Description	189
		DTC Logic	189
		Diagnosis Procedure	190

B1011, B1012, B1013, B1014, B1015 DIAGNOSIS SENSOR UNIT	191	Description	213	A
Description	191	DTC Logic	213	
DTC Logic	191	Diagnosis Procedure	214	
Diagnosis Procedure	192	B1067 ASSIST A/B MODULE	215	B
B1026, B1027, B1028, B1029, B1030, B1031 DIAGNOSIS SENSOR UNIT	193	Description	215	
Description	193	DTC Logic	215	
DTC Logic	193	Diagnosis Procedure	216	C
Diagnosis Procedure	194	B1068 ASSIST A/B MODULE	217	D
B1033, B1034 CRASH ZONE SEN	195	Description	217	
Description	195	DTC Logic	217	
DTC Logic	195	Diagnosis Procedure	218	D
Diagnosis Procedure	196	B1074, B1075, B1076, B1077, B1078, B1079 DIAGNOSIS SENSOR UNIT	219	E
B1035, B1036, B1038, B1040 CRASH ZONE SEN	197	Description	219	
Description	197	DTC Logic	219	
DTC Logic	197	Diagnosis Procedure	220	F
Diagnosis Procedure	198	B1081 PRE-TEN FRONT RH	221	G
B1042, B1043, B1044, B1045, B1046, B1047 DIAGNOSIS SENSOR UNIT	199	Description	221	
Description	199	DTC Logic	221	
DTC Logic	199	Diagnosis Procedure	222	G
Diagnosis Procedure	200	B1082 PRE-TEN FRONT RH	223	SRC
B1049 DRIVER AIRBAG MODULE	201	Description	223	
Description	201	DTC Logic	223	
DTC Logic	201	Diagnosis Procedure	224	I
Diagnosis Procedure	202	B1083 PRE-TEN FRONT RH	225	J
B1050 DRIVER AIRBAG MODULE	203	Description	225	
Description	203	DTC Logic	225	
DTC Logic	203	Diagnosis Procedure	226	J
Diagnosis Procedure	204	B1084 PRE-TEN FRONT RH	227	K
B1051 DRIVER AIRBAG MODULE	205	Description	227	
Description	205	DTC Logic	227	
DTC Logic	205	Diagnosis Procedure	228	K
Diagnosis Procedure	206	B1086 PRE-TEN FRONT LH	229	L
B1052 DRIVER AIRBAG MODULE	207	Description	229	
Description	207	DTC Logic	229	
DTC Logic	207	Diagnosis Procedure	230	M
Diagnosis Procedure	208	B1087 PRE-TEN FRONT LH	231	N
B1058, B1059, B1060, B1061, B1062, B1063 DIAGNOSIS SENSOR UNIT	209	Description	231	
Description	209	DTC Logic	231	
DTC Logic	209	Diagnosis Procedure	232	
Diagnosis Procedure	210	B1088 PRE-TEN FRONT LH	233	O
B1065 ASSIST A/B MODULE	211	Description	233	
Description	211	DTC Logic	233	
DTC Logic	211	Diagnosis Procedure	234	P
Diagnosis Procedure	212	B1089 PRE-TEN FRONT LH	235	
B1066 ASSIST A/B MODULE	213	Description	235	
		DTC Logic	235	
		Diagnosis Procedure	236	
		B1091, B1093 DIAGNOSIS SENSOR UNIT ...	237	
		Description	237	

DTC Logic	237	DTC Logic	261
Diagnosis Procedure	237	Diagnosis Procedure	262
B1106, B1107, B1108, B1109, B1110, B1111		B1136 SIDE MODULE LH	263
DIAGNOSIS SENSOR UNIT	239	Description	263
Description	239	DTC Logic	263
DTC Logic	239	Diagnosis Procedure	264
Diagnosis Procedure	240	B1137 SIDE MODULE LH	265
B1113, B1114 SATELLITE SENS RH	241	Description	265
Description	241	DTC Logic	265
DTC Logic	241	Diagnosis Procedure	266
Diagnosis Procedure	242	B1138, B1139, B1140, B1141, B1142, B1143	
B1115, B1116 SATELLITE SENS RH	243	DIAGNOSIS SENSOR UNIT	267
Description	243	Description	267
DTC Logic	243	DTC Logic	267
Diagnosis Procedure	244	Diagnosis Procedure	268
B1118, B1119 SATELLITE SENS LH	245	B1145 CURTAIN MODULE RH	269
Description	245	Description	269
DTC Logic	245	DTC Logic	269
Diagnosis Procedure	246	Diagnosis Procedure	270
B1120, B1121 SATELLITE SENS LH	247	B1146 CURTAIN MODULE RH	271
Description	247	Description	271
DTC Logic	247	DTC Logic	271
Diagnosis Procedure	248	Diagnosis Procedure	272
B1122, B1123, B1124, B1125, B1126, B1127		B1147 CURTAIN MODULE RH	273
DIAGNOSIS SENSOR UNIT	249	Description	273
Description	249	DTC Logic	273
DTC Logic	249	Diagnosis Procedure	274
Diagnosis Procedure	250	B1148 CURTAIN MODULE RH	275
B1129 SIDE MODULE RH	251	Description	275
Description	251	DTC Logic	275
DTC Logic	251	Diagnosis Procedure	276
Diagnosis Procedure	252	B1150 CURTAIN MODULE LH	277
B1130 SIDE MODULE RH	253	Description	277
Description	253	DTC Logic	277
DTC Logic	253	Diagnosis Procedure	278
Diagnosis Procedure	254	B1151 CURTAIN MODULE LH	279
B1131 SIDE MODULE RH	255	Description	279
Description	255	DTC Logic	279
DTC Logic	255	Diagnosis Procedure	280
Diagnosis Procedure	256	B1152 CURTAIN MODULE LH	281
B1132 SIDE MODULE RH	257	Description	281
Description	257	DTC Logic	281
DTC Logic	257	Diagnosis Procedure	282
Diagnosis Procedure	258	B1153 CURTAIN MODULE LH	283
B1134 SIDE MODULE LH	259	Description	283
Description	259	DTC Logic	283
DTC Logic	259	Diagnosis Procedure	284
Diagnosis Procedure	260	B1154, B1155, B1156, B1157 DIAGNOSIS	
B1135 SIDE MODULE LH	261	SENSOR UNIT	285
Description	261	Description	285

DTC Logic	285	Diagnosis Procedure	305	
Diagnosis Procedure	285			A
B1170, B1171, B1172, B1173, B1174, B1175		B1202, B1203, B1204, B1205, B1206, B1207		
DIAGNOSIS SENSOR UNIT	287	DIAGNOSIS SENSOR UNIT	307	B
Description	287	Description	307	
DTC Logic	287	DTC Logic	307	
Diagnosis Procedure	288	Diagnosis Procedure	308	
B1177 PRE-TEN2 FRONT RH	289	B1209 FRONTAL COLLISION DETECTION ..	309	C
Description	289	Description	309	
DTC Logic	289	DTC Logic	309	
Diagnosis Procedure	290	Diagnosis Procedure	309	D
B1178 PRE-TEN2 FRONT RH	291	B1210 SIDE COLLISION DETECTION	311	
Description	291	Description	311	E
DTC Logic	291	DTC Logic	311	
Diagnosis Procedure	292	Diagnosis Procedure	311	
B1179 PRE-TEN2 FRONT RH	293	B1211 ROLLOVER DETECTION	313	F
Description	293	Description	313	
DTC Logic	293	DTC Logic	313	
Diagnosis Procedure	294	Diagnosis Procedure	313	G
B1180 PRE-TEN2 FRONT RH	295	B1218, B1219, B1220, B1221, B1222, B1223		
Description	295	DIAGNOSIS SENSOR UNIT	315	
DTC Logic	295	DTC Logic	315	
Diagnosis Procedure	296	Diagnosis Procedure	315	SRC
B1182 PRE-TEN2 FRONT LH	297	ECU DIAGNOSIS INFORMATION	316	I
Description	297	DIAGNOSIS SENSOR UNIT	316	
DTC Logic	297	DTC Index	316	J
Diagnosis Procedure	298	Wiring Diagram — SRS AIR BAG CONTROL SYSTEM —	324	
B1183 PRE-TEN2 FRONT LH	299	SYMPTOM DIAGNOSIS	326	K
Description	299	SRS AIR BAG WARNING LAMP DOES NOT TURN OFF	326	L
DTC Logic	299	Diagnosis Procedure	326	
Diagnosis Procedure	300	SRS AIR BAG WARNING LAMP DOES NOT TURN ON	327	M
B1184 PRE-TEN2 FRONT LH	301	Diagnosis Procedure	327	
Description	301	PRECAUTION	328	N
DTC Logic	301	PRECAUTIONS	328	
Diagnosis Procedure	302	Precaution for Supplemental Restraint System (SRS) "AIR BAG" and "SEAT BELT PRE-TEN- SIONER"	328	O
B1185 PRE-TEN2 FRONT LH	303	Service	328	P
Description	303			
DTC Logic	303			
Diagnosis Procedure	304			
B1186, B1187, B1188, B1189 DIAGNOSIS SENSOR UNIT	305			
Description	305			
DTC Logic	305			

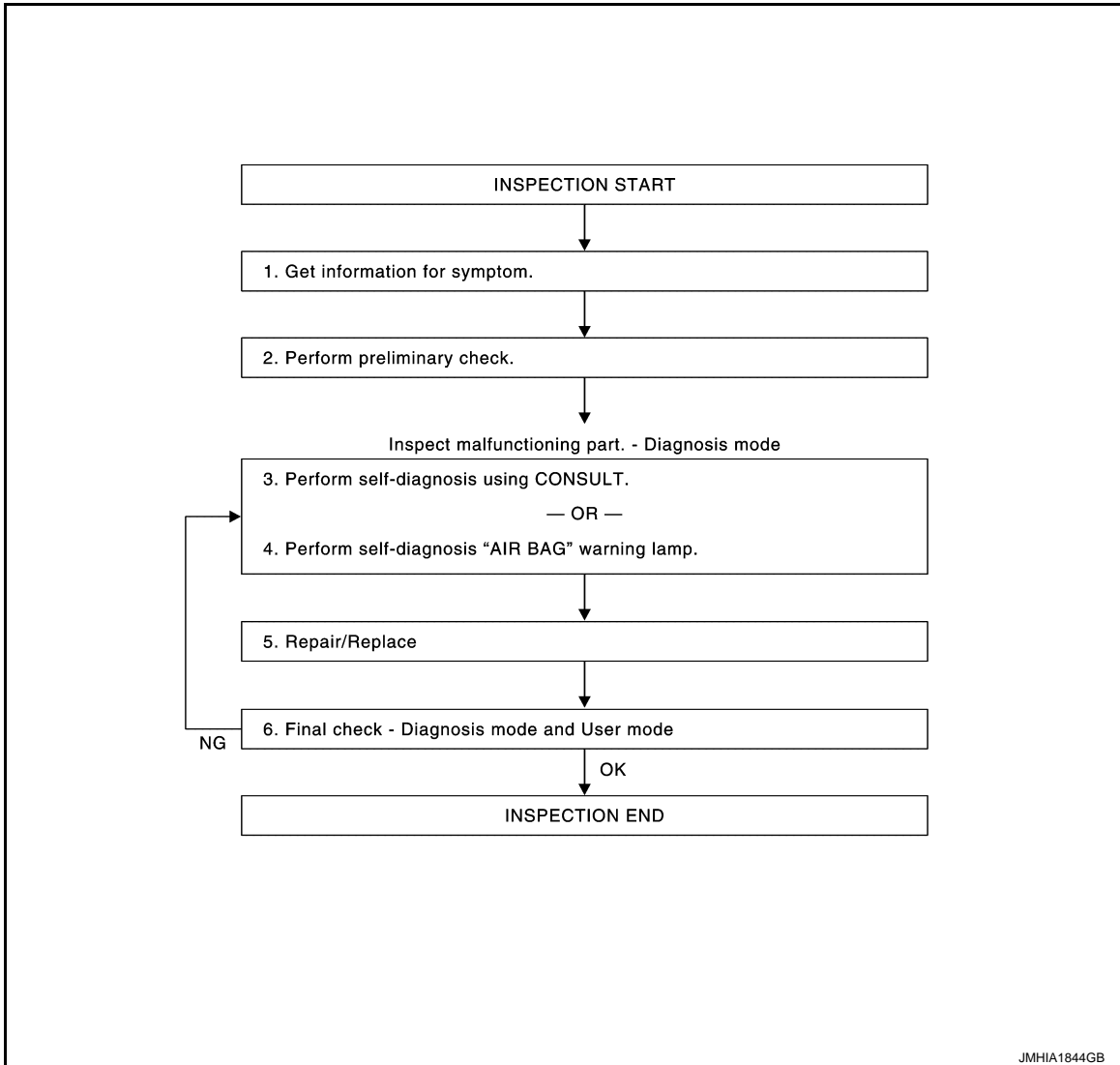
BASIC INSPECTION

DIAGNOSIS AND REPAIR WORK FLOW

Work Flow

INFOID:000000008281263

OVERALL SEQUENCE



DETAILED FLOW

1. GET INFORMATION FOR SYMPTOM

Interview the customer about the symptom.

>> GO TO 2.

2. PERFORM PRELIMINARY CHECK

At the beginning of inspection, confirm the condition of power supply circuit, check that the battery is charged and fuses and fusible links are not blown.

Is power supply circuit normal?

YES-1 >> GO TO 3. (With CONSULT)

YES-2 >> GO TO 4. (Without CONSULT)

NO >> Repair or replace the battery and fuse/fusible links.

DIAGNOSIS AND REPAIR WORK FLOW

< BASIC INSPECTION >

[FOR USA AND CANADA]

3.PERFORM SELF-DIAGNOSIS USING "CONSULT" (WITH CONSULT)

Perform "AIR BAG" Self Diagnostic Result.

Is "MALFUNCTIONING PART" displayed on CONSULT?

YES >> GO TO 5.

NO >> Repeat DTC confirmation with diagnostic procedure.

4.PERFORM SELF-DIAGNOSIS "AIR BAG" WARNING LAMP (WITHOUT CONSULT)

Check the air bag warning lamp status.

Is "MALFUNCTIONING PART" detected?

YES >> GO TO 5.

NO >> Repeat DTC confirmation with diagnostic procedure.

5.REPAIR OR REPLACE

Repair or replace the malfunctioning part.

After the malfunction is repaired, erase the self-diagnostic result. Refer to [SRC-18, "Diagnosis Description"](#) or [SRC-20, "CONSULT Function"](#).

>> GO TO 6.

6.FINAL CHECK

Perform "AIR BAG" Self Diagnostic Result with CONSULT and /or, air bag warning lamp status.

Are all malfunctions corrected?

YES >> **INSPECTION END**

NO-1 >> GO TO 3. (With CONSULT)

NO-2 >> GO TO 4. (Without CONSULT)

A
B
C
D
E
F
G
I
J
K
L
M
N
O
P

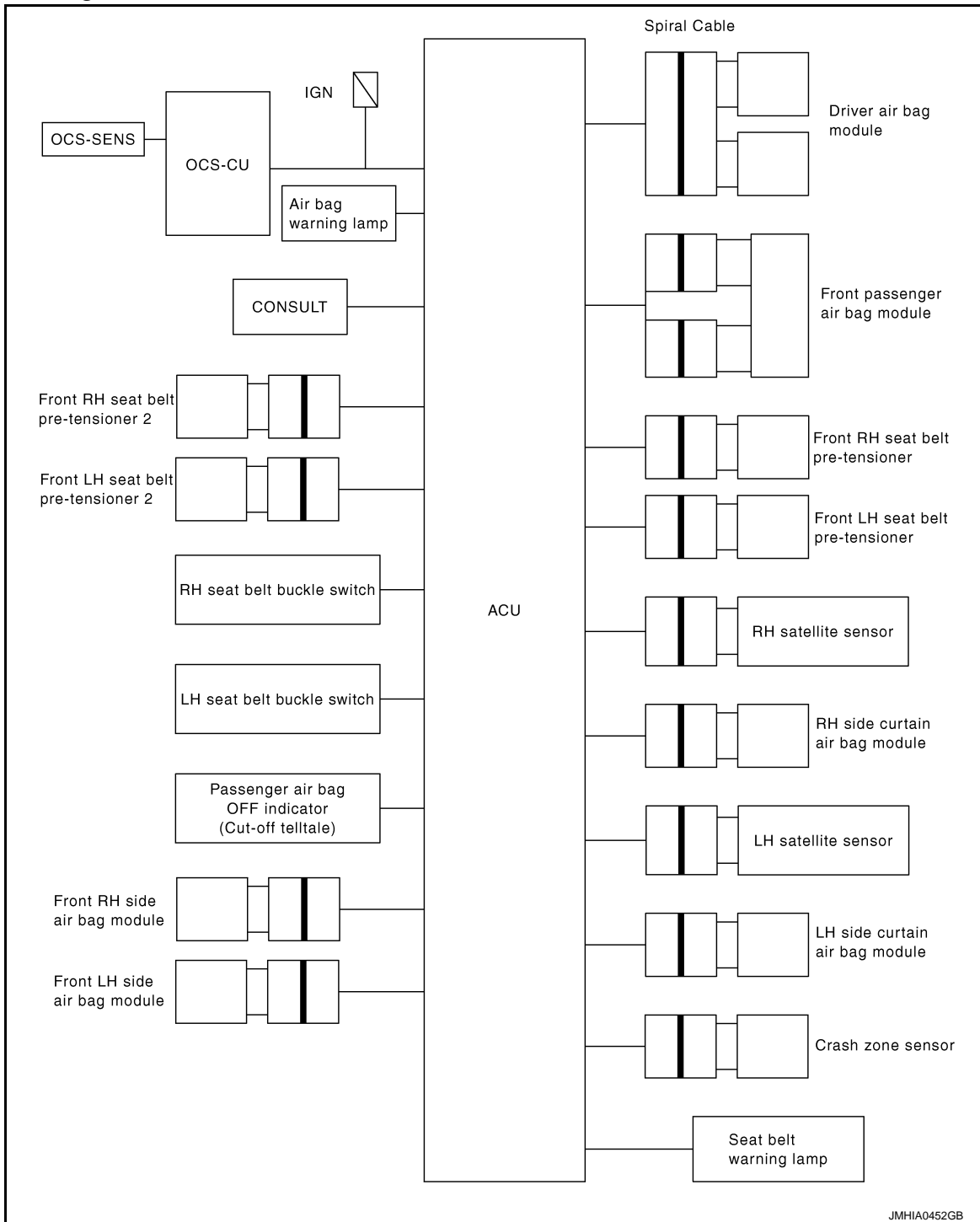
SRC

SYSTEM DESCRIPTION

SRS AIR BAG SYSTEM

System Diagram

INFOID:000000008281264



JMHIA0452GB

System Description

INFOID:000000008281265

This SRS Air Bag System has the following function.

1. Detects crash and supplies the energy for deploying air bag and seat belt pre-tensioner.
2. Detects electrical trouble in air bag system and seat belt pre-tensioner system, records trouble code, and blinking Air bag warning lamp.

SRS AIR BAG SYSTEM

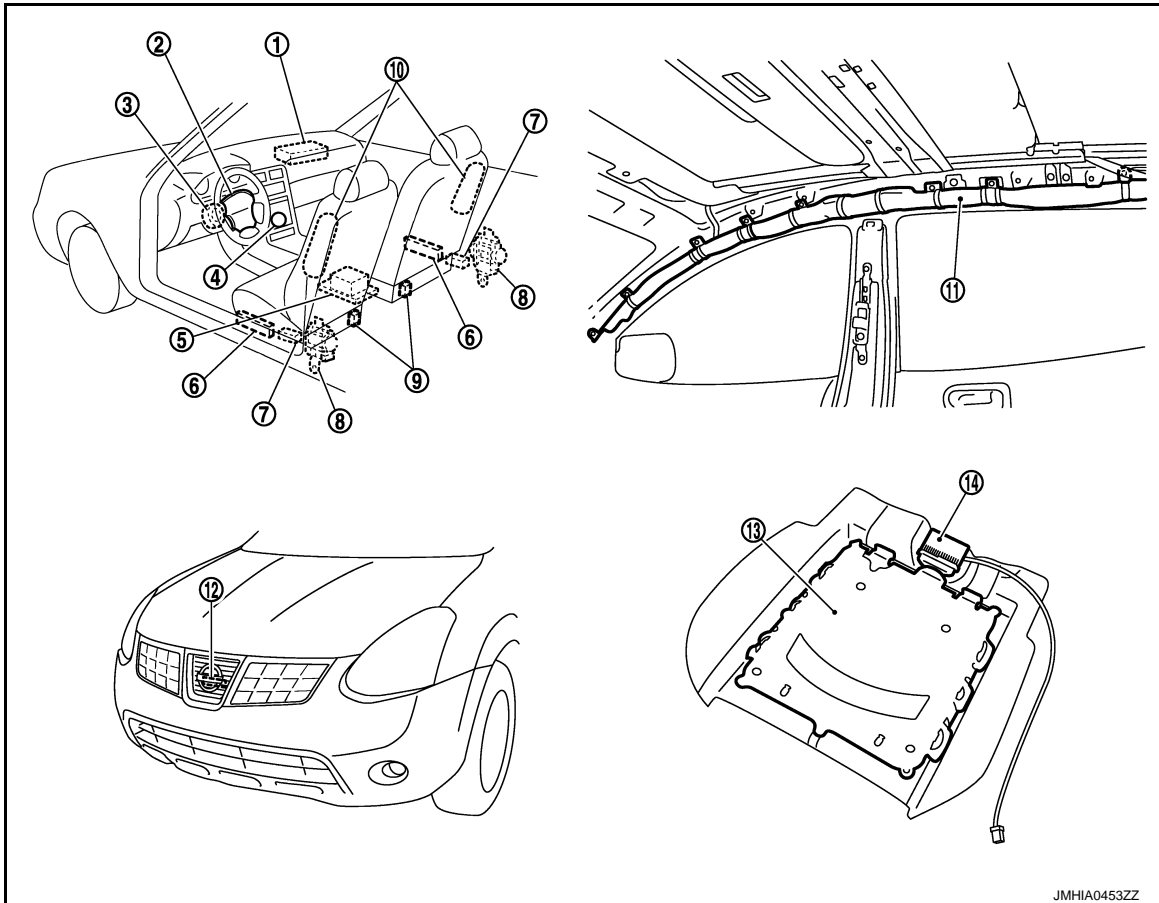
[FOR USA AND CANADA]

< SYSTEM DESCRIPTION >

3. Detects and records the deployment of air bag and seat belt pre-tensioner, and turns on air bag warning lamp.
4. Indicates malfunctioning portion with blinking times of air bag warning lamp in diagnosis mode.
5. Indicate the malfunctioning record by CONSULT.
6. Suppress the deployment of passenger air bag when the passenger seat is empty or when occupied by turns on passenger air bag off indicator (cut-off telltale) when passenger seat is occupied with a child-seat and child. [Occupant Classification System (OCS).]
7. Turn on Seat belt warning lamp when the Occupant Classification System (OCS) option is adult or child and the passenger seat belt buckle switch is not on.

Component Parts Location

INFOID:000000008281266



- | | | |
|------------------------------------------|----------------------------------------|------------------------------------------|
| 1. Front passenger air bag module | 2. Driver air bag module | 3. Combination switch (spiral cable) |
| 4. Front passenger air bag off indicator | 5. Air bag diagnosis sensor unit (ACU) | 6. Front LH/RH seat belt pre-tensioner 2 |
| 7. LH/RH Air bag (satellite) sensor | 8. Front LH/RH seat belt pre-tensioner | 9. Seat belt buckle switch |
| 10. Front LH/RH side air bag module | 11. LH/RH side curtain air bag module | 12. Crash zone sensor |
| 13. OCS seat sensor mat | 14. OCS control unit | |

JMHIA0453ZZ

A
B
C
D
E
F
G
H
I
J
K
L
M
N
O
P

SRC

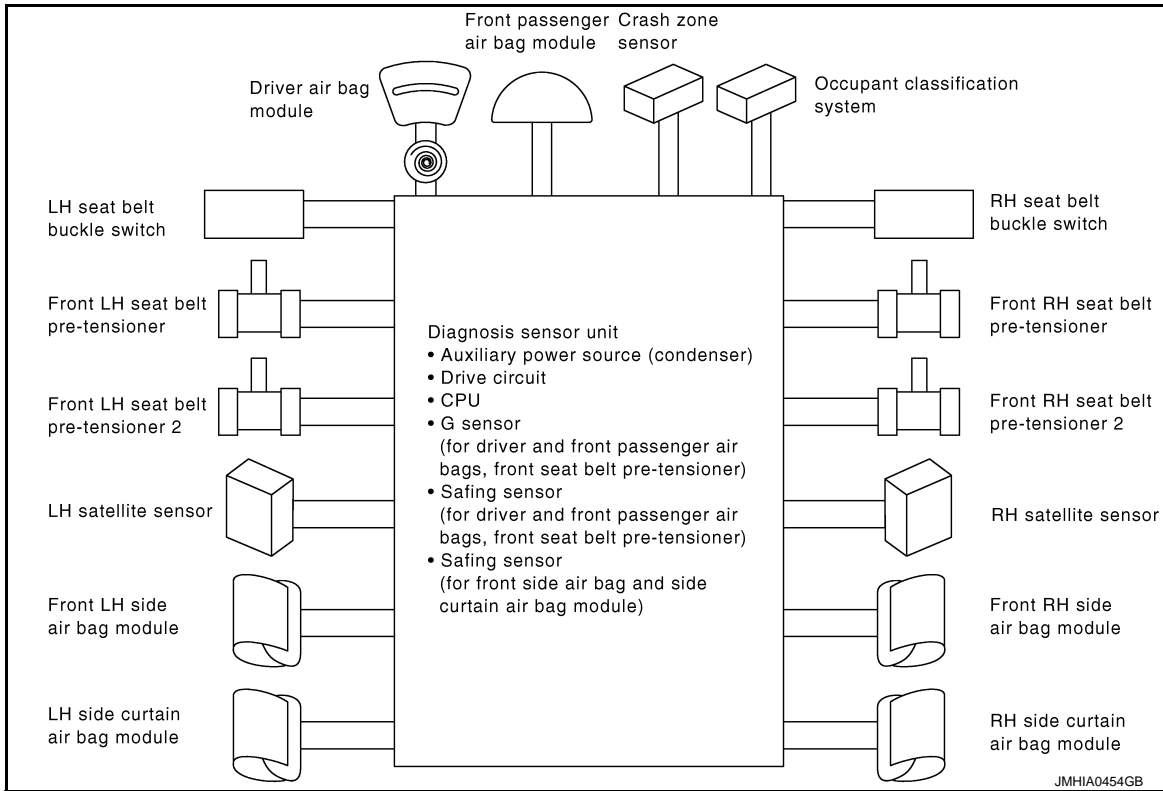
SRS AIR BAG SYSTEM

< SYSTEM DESCRIPTION >

[FOR USA AND CANADA]

Component Description

INFOID:000000008281267



- Air bag sensor are prepared for operation while the ignition switch is in the ON or START position.
- The operation of supplemental restraint system is different from collision modes applications. For example, the driver air bag module and front passenger air bag module are activated in a frontal collision but not in a side collision.
- SRS configurations which are activated for some collision modes are as follows.

SRS configuration	Frontal collision	Left side collision	Right side collision
Driver air bag module.	×	—	—
Front passenger air bag module.	×	—	—
Front LH seat belt pre-tensioner.	×	—	—
Front RH seat belt pre-tensioner.	×	—	—
Front LH seat belt pre-tensioner 2.	×	—	—
Front RH seat belt pre-tensioner 2.	×	—	—
Front LH side air bag module.	—	×	—
Front RH side air bag module.	—	—	×
LH side curtain air bag module.	—	×	—
RH side curtain air bag module.	—	—	×

×: Application, —: Not application

OCCUPANT CLASSIFICATION SYSTEM

< SYSTEM DESCRIPTION >

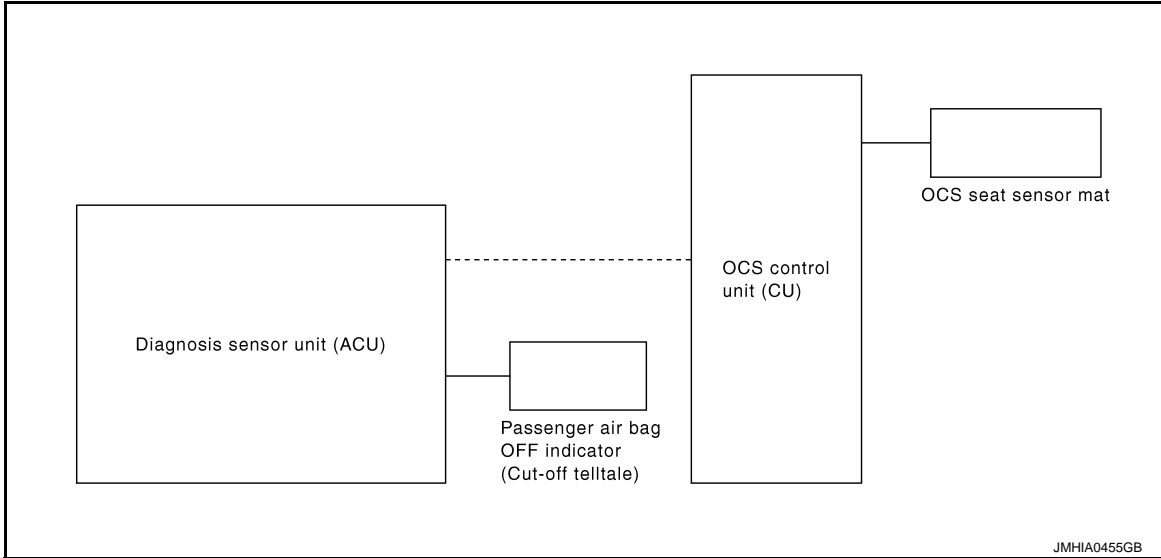
[FOR USA AND CANADA]

OCCUPANT CLASSIFICATION SYSTEM

System Diagram

INFOID:000000008281268

OCCUPANT CLASSIFICATION SYSTEM



System Description

INFOID:000000008281269

This Occupant Classification System has the following function.

1. Suppresses the deployment of passenger air bag when passenger seat is empty, or when occupied by child and child-seat. Turns on passenger air bag off indicator (cut-off telltale) when passenger seat is occupied by child-seat and child. [Occupant Classification System (OCS).]
2. Indicates malfunction portion with blinking times of air bag warning lamp in diagnosis mode.
3. Indicates the malfunctioning record by CONSULT.

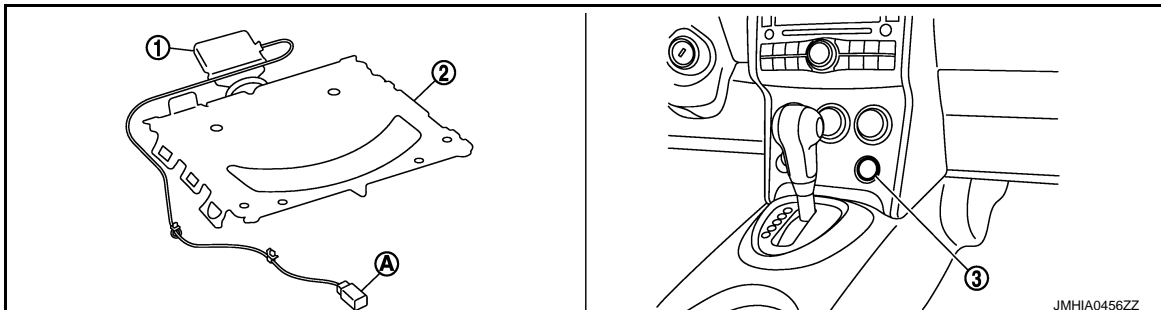
NOTE:

Operation of ACU when ACU receives information from Occupant Classification System (OCS)

Status (Front passenger seat)	Passenger Air bag	Passenger Air bag off indicator (Cut-off telltale)	Air bag warning lamp	Seat belt warning lamp (when front passenger seat is unbuckled)
Empty	Suppress	Off	Off	Off
Child/ child-seat	Suppress	On	Off	On
Adult	Enable to deploy	Off	Off	On
Trouble	Suppress	On	Blinking	Off

Component Parts Location

INFOID:000000008281270



- 1. OCS control unit
- 2. OCS seat sensor mat
- 3. Front passenger air bag OFF indicator
- A. OCS harness connector

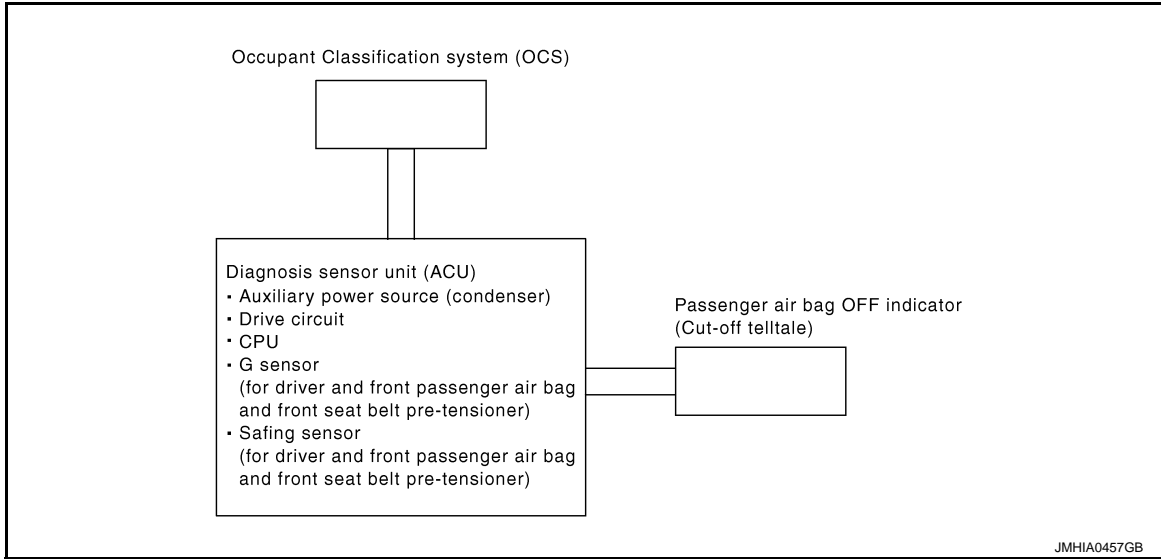
OCCUPANT CLASSIFICATION SYSTEM

< SYSTEM DESCRIPTION >

[FOR USA AND CANADA]

Component Description

INFOID:000000008281271



Component Parts

- OCS control unit, Seat sensor mat. Refer to [SRC-32. "Description"](#).
- Passenger air bag OFF indicator (cut-off telltale). Refer to [SRC-34. "Description"](#).

PASSENGER SEAT BELT WARNING SYSTEM

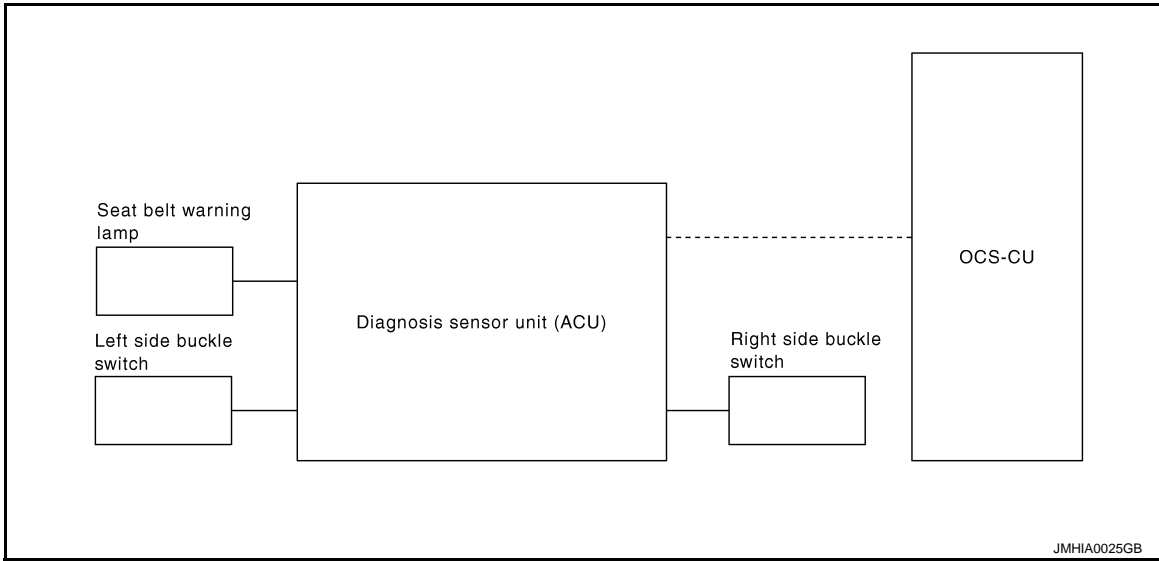
< SYSTEM DESCRIPTION >

[FOR USA AND CANADA]

PASSENGER SEAT BELT WARNING SYSTEM

System Diagram

INFOID:000000008281272



System Description

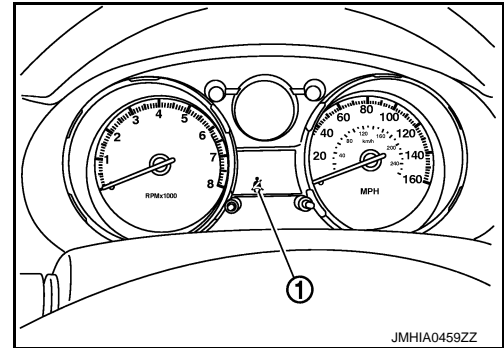
INFOID:000000008281273

This Passenger Seat Belt Warning System has the following function.

Turns ON seat belt warning lamp (1), when the OCS judges adult or child in the passenger seat and the passenger seat belt buckle switch is not on.

NOTE:

In addition, a seat belt warning lamp illuminates and a seat belt alarm sounds, when the driver seat belt buckle switch is not on, This does not relate to the air bag sensor. (Refer to BCM.)



NOTE:

Operation of ACU when ACU receives information from Occupant Classification System (OCS)

Status (Front passenger seat)	Passenger Air bag	Passenger air bag off indicator (cut-off telltale)	Air bag warning lamp	Seat belt warning lamp (When front passenger seat is unbuckled)
Empty	Suppress	Off	Off	Off
Child/ child-seat	Suppress	On	Off	On
Adult	Enable to deploy	Off	Off	On
Trouble	Suppress	On	Blinking	Off

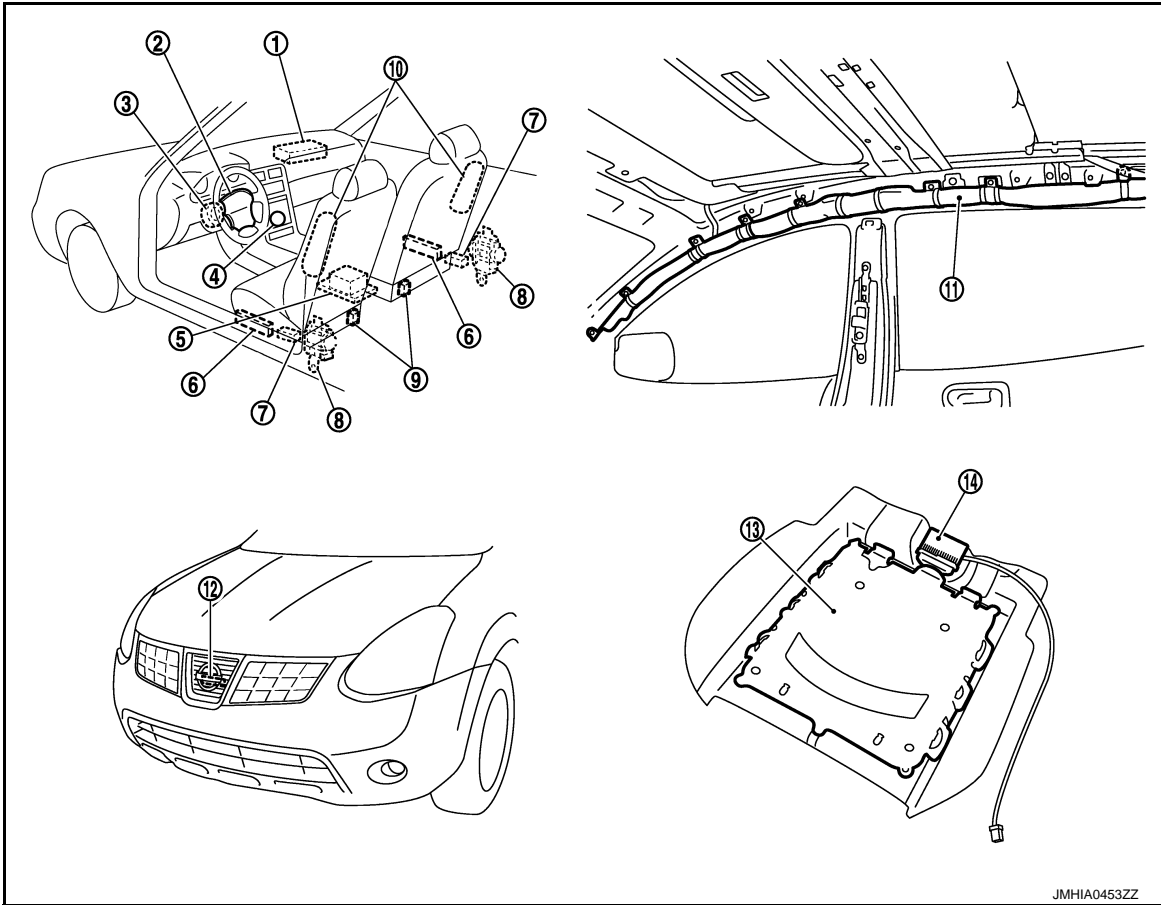
PASSENGER SEAT BELT WARNING SYSTEM

< SYSTEM DESCRIPTION >

[FOR USA AND CANADA]

Component Parts Location

INFOID:000000008281274

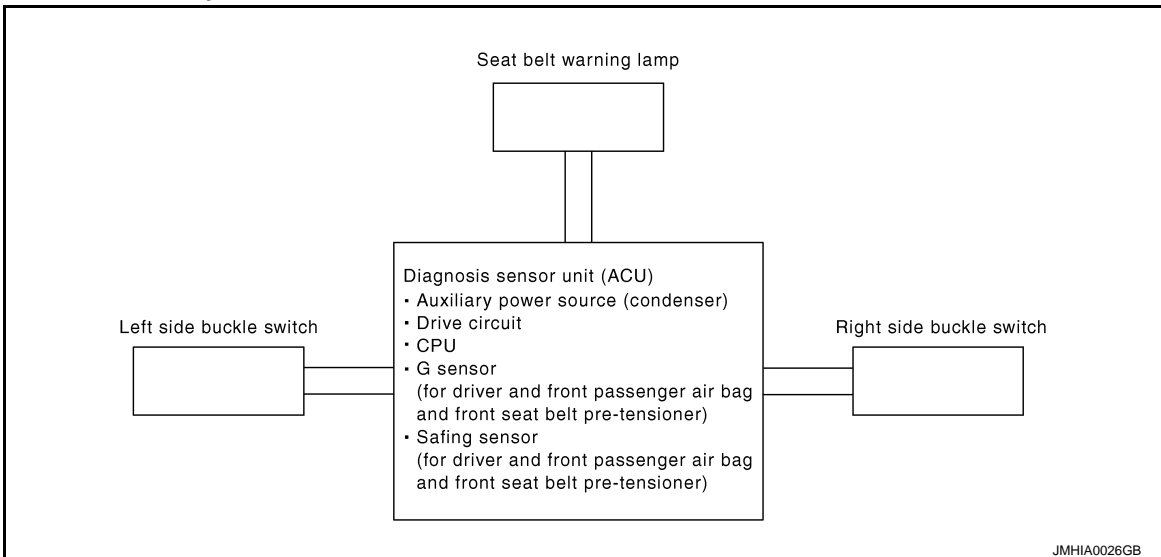


JMHIA0453ZZ

- | | | |
|------------------------------------------|----------------------------------------|------------------------------------------|
| 1. Front passenger air bag module | 2. Driver air bag module | 3. Combination switch (spiral cable) |
| 4. Front passenger air bag off indicator | 5. Air bag diagnosis sensor unit | 6. Front LH/RH seat belt pre-tensioner 2 |
| 7. LH/RH Air bag (satellite) sensor | 8. Front LH/RH seat belt pre-tensioner | 9. Seat belt buckle switch |
| 10. Front LH/RH side air bag module | 11. LH/RH side curtain air bag module | 12. Crash zone sensor |
| 13. OCS seat sensor mat | 14. OCS control unit | |

Component Description

INFOID:000000008281275



JMHIA0026GB

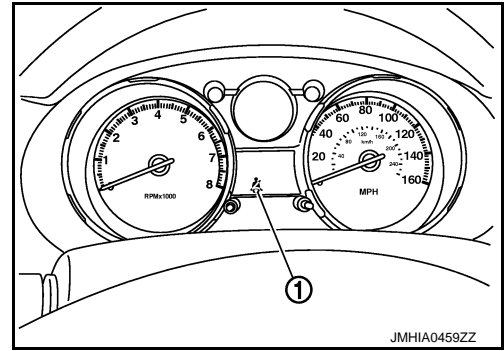
Component parts

PASSENGER SEAT BELT WARNING SYSTEM

[FOR USA AND CANADA]

< SYSTEM DESCRIPTION >

- Seat belt warning lamp (1).
- Seat belt buckle switch.



A

B

C

D

E

F

G

SRC

I

J

K

L

M

N

O

P

DIAGNOSIS SYSTEM (AIRBAG)

Diagnosis Description

INFOID:000000008281276

CAUTION:

- Do not use electrical test equipment on any circuit related to the SRS unless instructed in this Service Manual. SRS wiring harnesses can be identified by yellow and/or orange harnesses or harness connectors.
- Do not repair, splice or modify the SRS wiring harness. If the harness is damaged, replace it with a new one.
- Keep ground portion clean.

DIAGNOSIS FUNCTION

- The SRS self-diagnosis results can be read by using “AIR BAG” warning lamp and/or CONSULT.
- The user mode is exclusively prepared for the customer (driver). This mode warns the driver of a system malfunction through the operation of the “AIR BAG” warning lamp.
- The Diagnosis mode allows the technician to locate and inspect the malfunctioning part.
- The mode applications for the “AIR BAG” warning lamp and CONSULT are as follows.

	User mode	Diagnosis mode	Display type
“AIR BAG” warning lamp	X	X	ON-OFF operation
CONSULT	–	X	Monitoring

HOW TO PERFORM TROUBLE DIAGNOSIS FOR QUICK AND ACCURATE REPAIR

A good understanding of the malfunction conditions can make troubleshooting faster and more accurate. In general, each customer feels differently about a malfunction. It is important to fully understand the symptoms or conditions for a customer complaint.

Information from Customer.

- WHAT..... Vehicle model.
- WHEN..... Date, Frequencies.
- WHERE..... Road conditions.
- HOW..... Operating conditions, Symptoms.

Preliminary Check.

Check that the following parts are in good order.

- Battery (Refer to [PG-3, "How to Handle Battery"](#)).
- Fuse (Refer to [SRC-172, "Wiring Diagram — SRS AIR BAG CONTROL SYSTEM —"](#)).
- System component-to-harness connections.

HOW TO ERASE SELF-DIAGNOSTIC RESULTS (With CONSULT)

- “SELF-DIAG [CURRENT]”
A current self-diagnosis result is displayed on CONSULT screen in real time. After the malfunction is repaired completely, no malfunction is detected on “SELF-DIAG [CURRENT]”.
- “SELF-DIAG [PAST]”
Return to “SELF-DIAG [CURRENT]” CONSULT screen by touching “BACK” key of CONSULT and select “SELF-DIAG [CURRENT]” in SELECT DIAG MODE. Touch “ERASE” in “SELF-DIAG [CURRENT]” mode.

NOTE:

- If the memory of the malfunction in “SELF-DIAG [PAST]” is not erased, the user mode shows the system malfunction by the operation of the warning lamp even if the malfunction is repaired completely.
- “TROUBLE DIAG RECORD”
The memory of “TROUBLE DIAG RECORD” cannot be erased.

HOW TO ERASE SELF-DIAGNOSTIC RESULTS (Without CONSULT)

After a malfunction is repaired, turn the ignition switch OFF for at least one second, then turn ignition switch ON diagnosis mode returns to the user mode. At that time the self-diagnosis result is cleared.

DIAGNOSTIC PROCEDURE (User mode)

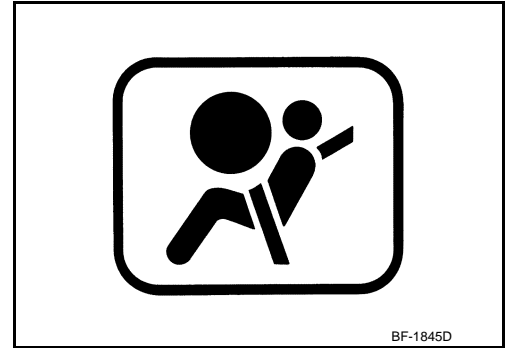
DIAGNOSIS SYSTEM (AIRBAG)

[FOR USA AND CANADA]

< SYSTEM DESCRIPTION >

Checking Air bag operation according to "AIR BAG" Warning Lamp-User Mode

1. Turn the ignition switch from OFF to ON, and check that the air bag warning lamp blinks.
2. Compare the SRS air bag warning lamp blinking pattern with the examples.



Warning lamp examples (User mode)

"AIR BAG" warning lamp operation -User mode	SRS condition	Reference item
<p>SHIA0011E</p>	<ul style="list-style-type: none"> • No malfunction is detected. • No further action is necessary. 	—
<p>SHIA0012E</p>	<ul style="list-style-type: none"> • The system is malfunctioning and needs to be repaired as indicated. 	Go to SRC-20. "CONSULT Function" .

A
B
C
D
E
F
G
I
J
K
L
M
N
O
P

SRC

DIAGNOSIS SYSTEM (AIRBAG)

< SYSTEM DESCRIPTION >

[FOR USA AND CANADA]

"AIR BAG" warning lamp operation -User mode	SRS condition	Reference item
<p>SHIA0013E</p>	<ul style="list-style-type: none"> Air bag is deployed. Seat belt pre-tensioner is deployed. 	Go to SRC-156, "Diagnosis Procedure" or SRC-158, "Diagnosis Procedure" .
	<ul style="list-style-type: none"> Diagnosis sensor unit is malfunctioning. Air bag power supply circuit is malfunctioning. SRS air bag warning lamp circuit is malfunctioning. 	Go to SRC-174, "Diagnosis Procedure" .
<p>SHIA0014E</p>	<ul style="list-style-type: none"> Diagnosis sensor unit is malfunctioning. Air bag warning lamp circuit is malfunctioning. 	Go to SRC-174, "Diagnosis Procedure" .

CONSULT Function

INFOID:000000008281277

APPLICATION ITEM

CONSULT performs the following functions.

Diagnosis mode	Description
ECU Identification	Air bag diagnosis sensor unit ECU discriminated number (identification number) is displayed. Air bag diagnosis sensor unit has individual ECU discriminated number (identification number) based on model and equipment.
Self Diagnostic Result	<ul style="list-style-type: none"> Self-diagnosis result is displayed. Refer to SRC-163, "DTC Index". "No DTC" is displayed when repair is completed by part replacement or other operations. "SELF-DIAG RESULT [MEMORY]" is displayed until "Erase" is performed. <p>CAUTION: When "No DTC" is displayed after repair, always perform "Erase". If this is not done SRS air bag warning lamp remains blinking when user mode is resumed.</p>
TROUBLE DIAG RECORD	With TROUBLE DIAG RECORD, diagnosis results previously erased by a reset operation can be displayed on CONSULT screen.

ⓐ HOW TO CHANGE SELF-DIAGNOSIS MODE WITH CONSULT

From User Mode to Diagnosis Mode

After selecting "AIR BAG" on the "SELECT SYSTEM" screen, User mode automatically changes to Diagnosis mode.

From Diagnosis Mode to User Mode

To return to User mode from Diagnosis mode, touch "BACK" key of CONSULT until "SELECT SYSTEM" appears, then diagnosis mode automatically changes to User mode.

SELF-DIAGNOSIS FUNCTION (Without CONSULT)

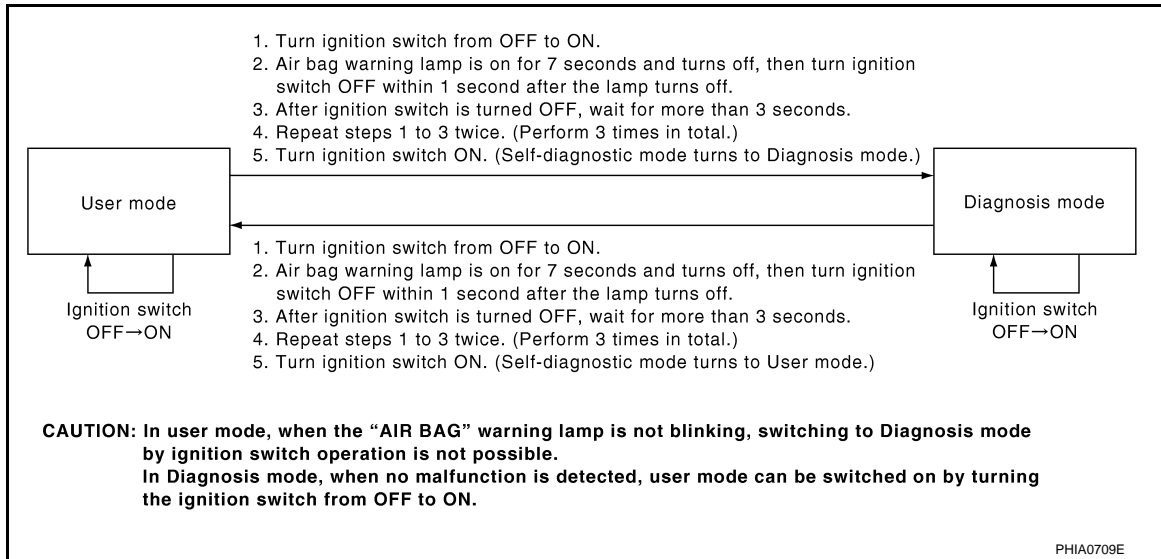
- The reading of these results is accomplished by "User mode" and "Diagnosis mode".
- After a malfunction is repaired, turn ignition switch ON. Diagnosis mode returns to the user mode. At that time, the self-diagnosis result is cleared.

DIAGNOSIS SYSTEM (AIRBAG)

< SYSTEM DESCRIPTION >

[FOR USA AND CANADA]

HOW TO CHANGE SELF-DIAGNOSIS MODE WITHOUT CONSULT



A
B
C
D
E
F
G
I
J
K
L
M
N
O
P

SRC

B1001, B1002, B1003, B1004, B1005 DIAGNOSIS SENSOR UNIT

< DTC/CIRCUIT DIAGNOSIS >

[FOR USA AND CANADA]

DTC/CIRCUIT DIAGNOSIS

B1001, B1002, B1003, B1004, B1005 DIAGNOSIS SENSOR UNIT

Description

INFOID:000000008281278

DTC B1001, B1002, B1003, B1004, B1005 DIAGNOSIS SENSOR UNIT

Detects the whole SRS electrical system and displays the malfunction either by illuminating or blinking the air bag warning lamp in the combination meter. Malfunctioning part can be detected by on board self-diagnosis system and electro-diagnosis tester CONSULT.

OPERATION

It detects a shock that exceeds specified level and monitors such systems as the driver and passenger air bag, side air bag, curtain air bag, pre-tensioner seat belts and Occupant Classification System (OCS) operate properly.

STRUCTURE

It contains the "G" sensors for both frontal and side collisions and spare battery function in case of main battery damage in collision.

INSTALLATION

SRS diagnosis sensor unit is installed under the center console with fixed bolts.

DTC Logic

INFOID:000000008281279

DTC DETECTION LOGIC

With CONSULT

DTC No. Index ("SELF-DIAG [CURRENT]"), ("SELF-DIAG [PAST]" or "TROUBLE DIAG RECORD")

DTC No.	Trouble diagnosis name	DTC detecting condition	Possible cause
B1001 B1002 B1003 B1004 B1005	CONTROL UNIT	Diagnosis sensor unit is out of order.	Internal breakdown in diagnosis sensor unit (ACU).

DTC CONFIRMATION PROCEDURE (With CONSULT)

1.INSPECTION START

Turn ignition switch ON.

>> GO TO 2.

2.CHECK SELF-DIAG RESULT

Check the screen of CONSULT.

Is malfunctioning part detected?

- YES >> Refer to [SRC-23. "Diagnosis Procedure"](#).
- NO >> **INSPECTION END.**

DTC CONFIRMATION PROCEDURE (Without CONSULT)

NOTE:

- SRS will not enter diagnosis mode if no malfunction is detected in user mode.

1.INSPECTION START

B1001, B1002, B1003, B1004, B1005 DIAGNOSIS SENSOR UNIT

< DTC/CIRCUIT DIAGNOSIS >

[FOR USA AND CANADA]

Turn ignition switch ON.

>> GO TO 2.

2.CHECK AIR BAG WARNING LAMP

Check the warning lamp status.

Is malfunctioning part detected?

- YES >> Refer to [SRC-163, "DTC Index"](#).
NO >> **INSPECTION END.**

Diagnosis Procedure

INFOID:000000008281280

With CONSULT

WARNING:

- Before servicing, turn ignition switch OFF, disconnect both battery terminals and wait at least 3 minutes. (To discharge backup capacitor.)
- Do not use unspecified tester or other measuring device.

DIAGNOSTIC PROCEDURE

1.CHECK HARNESS CONNECTOR

Check the connection of harness connector.

Is the inspection result normal?

- YES >> GO TO 2.
NO >> Repair or replace harness connectors.

2.CHECK WIRING HARNESS

Check the wiring harness externals.

Is the inspection result normal?

- YES >> GO TO 3.
NO >> Repair or replace wiring harness.

3.CHECK DIAGNOSIS SENSOR UNIT

1. Replace diagnosis sensor unit (ACU).
2. Check the screen of CONSULT.

Is the inspection result normal?

- YES >> **INSPECTION END.**
NO >> Check the intermittent incident. Refer to [GI-46, "Intermittent Incident"](#).

A
B
C
D
E
F
G
I
J
K
L
M
N
O
P

SRC

B1006, B1007, B1008, B1009, B1010 DIAGNOSIS SENSOR UNIT

< DTC/CIRCUIT DIAGNOSIS >

[FOR USA AND CANADA]

B1006, B1007, B1008, B1009, B1010 DIAGNOSIS SENSOR UNIT

Description

INFOID:000000008281281

DTC B1006, B1007, B1008, B1009, B1010 DIAGNOSIS SENSOR UNIT

Detects the whole SRS electrical system and displays the malfunction either by illuminating or blinking the air bag warning lamp in the combination meter. Malfunctioning part can be detected by on board self-diagnosis system and electro-diagnosis tester CONSULT.

OPERATION

It detects a shock that exceeds specified level and monitors such systems as the driver and passenger air bag, side air bag, curtain air bag, pre-tensioner seat belts and Occupant Classification System (OCS) operate properly.

STRUCTURE

It contains the "G" sensors for both frontal and side collisions and spare battery function in case of main battery damage in collision.

INSTALLATION

SRS diagnosis sensor unit is installed under the center console with fixed bolts.

DTC Logic

INFOID:000000008281282

DTC DETECTION LOGIC

With CONSULT

DTC No. Index ("SELF-DIAG [CURRENT]"), ("SELF-DIAG [PAST]" or "TROUBLE DIAG RECORD")

DTC No.	Trouble diagnosis name	DTC detecting condition	Possible cause
B1006 B1007 B1008 B1009 B1010	CONTROL UNIT	Diagnosis sensor unit is out of order.	Internal breakdown in diagnosis sensor unit (ACU).

DTC CONFIRMATION PROCEDURE (With CONSULT)

1.INSPECTION START

Turn ignition switch ON.

>> GO TO 2.

2.CHECK SELF-DIAG RESULT

Check the screen of CONSULT.

Is malfunctioning part detected?

YES >> Refer to [SRC-25, "Diagnosis Procedure"](#).

NO >> **INSPECTION END.**

DTC CONFIRMATION PROCEDURE (Without CONSULT)

NOTE:

- SRS will not enter diagnosis mode if no malfunction is detected in user mode.

1.INSPECTION START

Turn ignition switch ON.

B1006, B1007, B1008, B1009, B1010 DIAGNOSIS SENSOR UNIT

< DTC/CIRCUIT DIAGNOSIS >

[FOR USA AND CANADA]

>> GO TO 2.

2.CHECK AIR BAG WARNING LAMP

Check the warning lamp status.

Is malfunctioning part detected?

- YES >> Refer to [SRC-163, "DTC Index"](#).
NO >> **INSPECTION END.**

Diagnosis Procedure

INFOID:000000008281283

With CONSULT

WARNING:

- Before servicing, turn ignition switch OFF, disconnect both battery terminals and wait at least 3 minutes. (To discharge backup capacitor.)
- Do not use unspecified tester or other measuring device.

DIAGNOSTIC PROCEDURE

1.CHECK HARNESS CONNECTOR

Check the connection of harness connector.

Is the inspection result normal?

- YES >> GO TO 2.
NO >> Repair or replace harness connectors.

2.CHECK WIRING HARNESS

Check the wiring harness externals.

Is the inspection result normal?

- YES >> GO TO 3.
NO >> Repair or replace wiring harness.

3.CHECK DIAGNOSIS SENSOR UNIT

1. Replace diagnosis sensor unit (ACU).
2. Check the screen of CONSULT.

Is the inspection result normal?

- YES >> **INSPECTION END.**
NO >> Check the intermittent incident. Refer to [GI-46, "Intermittent Incident"](#).

A
B
C
D
E
F
G
SRC
I
J
K
L
M
N
O
P

B1011, B1012, B1013, B1014, B1015 DIAGNOSIS SENSOR UNIT

< DTC/CIRCUIT DIAGNOSIS >

[FOR USA AND CANADA]

B1011, B1012, B1013, B1014, B1015 DIAGNOSIS SENSOR UNIT

Description

INFOID:000000008281284

DTC B1011, B1012, B1013, B1014, B1015 DIAGNOSIS SENSOR UNIT

Detects the whole SRS electrical system and displays the malfunction either by illuminating or blinking the air bag warning lamp in the combination meter. Malfunctioning part can be detected by on board self-diagnosis system and electro-diagnosis tester CONSULT.

OPERATION

It detects a shock that exceeds specified level and monitors such systems as the driver and passenger air bag, side air bag, curtain air bag, pre-tensioner seat belts and Occupant Classification System (OCS) operate properly.

STRUCTURE

It contains the "G" sensors for both frontal and side collisions and spare battery function in case of main battery damage in collision.

INSTALLATION

SRS diagnosis sensor unit is installed under the center console with fixed bolts.

DTC Logic

INFOID:000000008281285

DTC DETECTION LOGIC

With CONSULT

DTC No. Index ("SELF-DIAG [CURRENT]"), ("SELF-DIAG [PAST]" or "TROUBLE DIAG RECORD")

DTC No.	Trouble diagnosis name	DTC detecting condition	Possible cause
B1011 B1012 B1013 B1014 B1015	CONTROL UNIT	Diagnosis sensor unit is out of order.	Internal breakdown in diagnosis sensor unit (ACU).

DTC CONFIRMATION PROCEDURE (With CONSULT)

1.INSPECTION START

Turn ignition switch ON.

>> GO TO 2.

2.CHECK SELF-DIAG RESULT

Check the screen of CONSULT.

Is malfunctioning part detected?

YES >> Refer to [SRC-27, "Diagnosis Procedure"](#).

NO >> **INSPECTION END.**

DTC CONFIRMATION PROCEDURE (Without CONSULT)

NOTE:

- SRS will not enter diagnosis mode if no malfunction is detected in user mode.

1.INSPECTION START

Turn ignition switch ON.

B1011, B1012, B1013, B1014, B1015 DIAGNOSIS SENSOR UNIT

< DTC/CIRCUIT DIAGNOSIS >

[FOR USA AND CANADA]

>> GO TO 2.

2.CHECK AIR BAG WARNING LAMP

Check the warning lamp status.

Is malfunctioning part detected?

YES >> Refer to [SRC-163, "DTC Index"](#).

NO >> **INSPECTION END.**

Diagnosis Procedure

INFOID:000000008281286

With CONSULT

WARNING:

- Before servicing, turn ignition switch OFF, disconnect both battery terminals and wait at least 3 minutes. (To discharge backup capacitor.)
- Do not use unspecified tester or other measuring device.

DIAGNOSTIC PROCEDURE

1.CHECK HARNESS CONNECTOR

Check the connection of harness connector.

Is the inspection result normal?

YES >> GO TO 2.

NO >> Repair or replace harness connectors.

2.CHECK WIRING HARNESS

Check the wiring harness externals.

Is the inspection result normal?

YES >> GO TO 3.

NO >> Repair or replace wiring harness.

3.CHECK DIAGNOSIS SENSOR UNIT

1. Replace diagnosis sensor unit (ACU).

2. Check the screen of CONSULT.

Is the inspection result normal?

YES >> **INSPECTION END.**

NO >> Check the intermittent incident. Refer to [GI-46, "Intermittent Incident"](#).

A
B
C
D
E
F
G
I
J
K
L
M
N
O
P

SRC

B1017, B1020, B1021 OCCUPANT SENS C/U

< DTC/CIRCUIT DIAGNOSIS >

[FOR USA AND CANADA]

B1017, B1020, B1021 OCCUPANT SENS C/U

Description

INFOID:000000008281287

DTC B1017, B1020, B1021 [UNIT FAIL] OCCUPANT SENS C/U

Suppresses the deployment of passenger air bag when the condition of passenger seat is empty or child and child-seat. And turns on cut-off telltale lamp when the condition of passenger seat is child-seat and child. In case of malfunction the blinking of the SRS air bag warning lamp report the malfunction to driver and by the on board self-diagnosis system or electro-diagnosis tester CONSULT can detect the cause.

OPERATION

This unit classifies occupant in passenger seat and detects electrical malfunctions in Occupant Classification System, and transmits malfunction information to air bag control unit.

STRUCTURE

It is integrated into the seat sensor mat and detects the occupants with Occupant Classification System (OCS) control unit that classifies the occupants.

INSTALLATION

Occupant Classification System (OCS) control unit is installed in the passenger seat cushion.

DTC Logic

INFOID:000000008281288

DTC DETECTION LOGIC

With CONSULT

DTC No. Index (“SELF-DIAG [CURRENT]”), (“SELF-DIAG [PAST]” or “TROUBLE DIAG RECORD”)

DTC No.	Trouble diagnosis name	DTC detecting condition	Possible cause
B1017 B1020 B1021	OCCUPANT SENS C/U [UNIT FAIL]	Trouble occurs in OCS-C/U.	<ul style="list-style-type: none">• Disconnection of wiring harness.• Internal breakdown in occupant classification system control unit.• Internal breakdown in diagnosis sensor unit (ACU).

DTC CONFIRMATION PROCEDURE (With CONSULT)

1.INSPECTION START

Turn ignition switch ON.

>> GO TO 2.

2.CHECK SELF-DIAG RESULT

Check the screen of CONSULT.

Is malfunctioning part detected?

- YES >> Refer to [SRC-29, "Diagnosis Procedure"](#).
NO >> **INSPECTION END.**

DTC CONFIRMATION PROCEDURE (Without CONSULT)

NOTE:

- SRS will not enter diagnosis mode if no malfunction is detected in user mode.

1.INSPECTION START

Turn ignition switch ON.

B1017, B1020, B1021 OCCUPANT SENS C/U

< DTC/CIRCUIT DIAGNOSIS >

[FOR USA AND CANADA]

>> GO TO 2.

2.CHECK AIR BAG WARNING LAMP

Check the warning lamp status.

Is malfunctioning part detected?

YES >> Refer to [SRC-163, "DTC Index"](#).

NO >> **INSPECTION END.**

Diagnosis Procedure

INFOID:000000008281289

With CONSULT

WARNING:

- Before servicing, turn ignition switch OFF, disconnect both battery terminals and wait at least 3 minutes. (To discharge backup capacitor.)
- Do not use unspecified tester or other measuring device.

DIAGNOSTIC PROCEDURE

1.CHECK HARNESS CONNECTOR

Check the connection of harness connector.

Is the inspection result normal?

YES >> GO TO 2.

NO >> Repair or replace harness connectors.

2.CHECK WIRING HARNESS

Check the wiring harness externals.

Is the inspection result normal?

YES >> GO TO 3.

NO >> Repair or replace wiring harness.

3.CHECK OCCUPANT CLASSIFICATION SYSTEM CONTROL UNIT

1. Replace occupant classification system control unit. (passenger side seat cushion assembly.)
2. Check the screen of CONSULT.

is the inspection result normal?

YES >> **INSPECTION END.**

NO >> Check the intermittent incident. Refer to [GI-46, "Intermittent Incident"](#).

A
B
C
D
E
F
G
I
J
K
L
M
N
O
P

SRC

B1018 OCCUPANT SENS

Description

INFOID:000000008281290

DTC B1018 [UNIT FAIL] OCCUPANT SENS

Suppresses the deployment of passenger air bag when the condition of passenger seat is empty or child and child-seat. And turns on cut-off telltale lamp when the condition of passenger seat is child-seat and child. In case of malfunction the blinking of the SRS air bag warning lamp reports the malfunction to driver and by the on board self-diagnosis system or electro-diagnosis tester CONSULT can detect the cause.

OPERATION

The unit classifies occupant in passenger seat and transmits it to Occupant Classification System (OCS) control unit.

STRUCTURE

Plural sensors are installed in the sensor mat to prevent incorrect sensing induced by the sitting position.

INSTALLATION

Seat sensor mat is installed in the passenger seat cushion.

DTC Logic

INFOID:000000008281291

DTC DETECTION LOGIC

With CONSULT

DTC No. Index (“SELF-DIAG [CURRENT]”), (“SELF-DIAG [PAST]” or “TROUBLE DIAG RECORD”)

DTC No.	Trouble diagnosis name	DTC detecting condition	Possible cause
B1018	OCCUPANT SENS [UNIT FAIL]	Trouble occurs in OCS-SENS.	<ul style="list-style-type: none">• Disconnection of wiring harness.• Internal breakdown in occupant classification system sensor.• Internal breakdown in diagnosis sensor unit (ACU).

DTC CONFIRMATION PROCEDURE (With CONSULT)

1.INSPECTION START

Turn ignition switch ON.

>> GO TO 2.

2.CHECK SELF-DIAG RESULT

Check the screen of CONSULT.

Is malfunctioning part detected?

YES >> Refer to [SRC-31. "Diagnosis Procedure"](#).

NO >> **INSPECTION END.**

DTC CONFIRMATION PROCEDURE (Without CONSULT)

NOTE:

- SRS will not enter diagnosis mode if no malfunction is detected in user mode.

1.INSPECTION START

Turn ignition switch ON.

>> GO TO 2.

B1018 OCCUPANT SENS

[FOR USA AND CANADA]

< DTC/CIRCUIT DIAGNOSIS >

2.CHECK AIR BAG WARNING LAMP

Check the warning lamp status.

Is malfunctioning part detected?

- YES >> Refer to [SRC-163, "DTC Index"](#).
- NO >> **INSPECTION END.**

Diagnosis Procedure

INFOID:000000008281292

With CONSULT

WARNING:

- Before servicing, turn ignition switch OFF, disconnect both battery terminals and wait at least 3 minutes. (To discharge backup capacitor.)
- Do not use unspecified tester or other measuring device.

DIAGNOSTIC PROCEDURE

1.CHECK HARNESS CONNECTOR

Check the connection of harness connector.

Is the inspection result normal?

- YES >> GO TO 2.
- NO >> Repair or replace harness connectors.

2.CHECK WIRING HARNESS

Check the wiring harness externals.

Is the inspection result normal?

- YES >> GO TO 3.
- NO >> Repair or replace wiring harness.

3.CHECK OCCUPANT CLASSIFICATION SYSTEM SENSOR

1. Replace occupant classification system sensor. (passenger side seat cushion assembly.)
2. Check the screen of CONSULT.

Is the inspection result normal?

- YES >> **INSPECTION END.**
- NO >> Check the intermittent incident. Refer to [GI-46, "Intermittent Incident"](#).

A
B
C
D
E
F
G
I
J
K
L
M
N
O
P

SRC

B1022 OCCUPANT SENS C/U

Description

INFOID:000000008281293

DTC B1022 [COMM FAIL] OCCUPANT SENS C/U

Suppresses the deployment of passenger air bag when the condition of passenger seat is empty or child and child-seat. And turns on cut-off telltale lamp when the condition of passenger seat is child-seat and child. In case of malfunction the blinking of the SRS air bag warning lamp reports the malfunction to driver and by the on board self-diagnosis system or electro-diagnosis tester CONSULT can detect the cause.

OPERATION

This unit classifies occupant in passenger seat and detects electrical malfunction in Occupant Classification System (OCS) and transmits malfunction information to air bag control unit.

STRUCTURE

It is integrated into the seat sensor mat and detects the occupants and Occupant Classification System (OCS) control unit that classifies the occupants.

INSTALLATION

Occupant Classification System (OCS) control unit is installed in the passenger seat cushion.

DTC Logic

INFOID:000000008281294

DTC DETECTION LOGIC

With CONSULT

DTC No. Index (“SELF-DIAG [CURRENT]”), (“SELF-DIAG [PAST]” or “TROUBLE DIAG RECORD”)

DTC No.	Trouble diagnosis name	DTC detecting condition	Possible cause
B1022	OCCUPANT SENS C/U [COMM FAIL]	Trouble occurs in OCS-C/U, circuit of OCS-C/U-ACU or ACU.	<ul style="list-style-type: none"> • Disconnection of wiring harness. • Internal breakdown in occupant classification system control unit. • Internal breakdown in diagnosis sensor unit (ACU).

DTC CONFIRMATION PROCEDURE (With CONSULT)

1.INSPECTION START

Turn ignition switch ON.

>> GO TO 2.

2.CHECK SELF-DIAG RESULT

Check the screen of CONSULT.

Is malfunctioning part detected?

- YES >> Refer to [SRC-33, "Diagnosis Procedure"](#).
- NO >> **INSPECTION END.**

DTC CONFIRMATION PROCEDURE (Without CONSULT)

NOTE:

- SRS will not enter diagnosis mode if no malfunction is detected in user mode.

1.INSPECTION START

Turn ignition switch ON.

< DTC/CIRCUIT DIAGNOSIS >

>> GO TO 2.

2.CHECK AIR BAG WARNING LAMP

Check the warning lamp status.

Is malfunctioning part detected?

YES >> Refer to [SRC-163, "DTC Index"](#).

NO >> **INSPECTION END.**

Diagnosis Procedure

INFOID:000000008281295

With CONSULT

WARNING:

- Before servicing, turn ignition switch OFF, disconnect both battery terminals and wait at least 3 minutes. (To discharge backup capacitor.)
- Do not use unspecified tester or other measuring device.

DIAGNOSTIC PROCEDURE

1.CHECK HARNESS CONNECTOR

Check the connection of harness connector.

Is the inspection result normal?

YES >> GO TO 2.

NO >> Repair or replace harness connectors.

2.CHECK WIRING HARNESS

Check the wiring harness externals.

Is the inspection result normal?

YES >> GO TO 3.

NO >> Repair or replace wiring harness.

3.CHECK OCCUPANT CLASSIFICATION SYSTEM CONTROL UNIT

1. Replace occupant classification system control unit. (passenger side seat cushion assembly.)

2. Check the screen of CONSULT.

Is the inspection result normal?

YES >> **INSPECTION END.**

NO >> Check the intermittent incident. Refer to [GI-46, "Intermittent Incident"](#).

A
B
C
D
E
F
G
I
J
K
L
M
N
O
P

SRC

B1023 PASS A/B INDCTR CKT

Description

INFOID:000000008281296

DTC B1023 PASS A/B INDCTR CKT

Suppresses the deployment of passenger air bag when the condition of passenger seat is empty or child and child-seat. And turns on passenger air bag indicator (cut-off telltale) lamp when the condition of passenger seat is child-seat and child. In case of malfunction the blinking of the SRS air bag warning lamp reports the malfunction to driver and by the on board self-diagnosis system or electro-diagnosis tester CONSULT can detect the cause.

OPERATION

Turns on passenger air bag indicator (cut-off telltale) when the passenger seat is empty or occupied by child-seat and child.

STRUCTURE

Passenger air bag indicator (cut-off telltale) with LED illumination.

INSTALLATION

Passenger air bag indicator (cut-off telltale) is installed at the instrument panel center.

DTC Logic

INFOID:000000008281297

DTC DETECTION LOGIC

With CONSULT

DTC No. Index (“SELF-DIAG [CURRENT]”), (“SELF-DIAG [PAST]” or “TROUBLE DIAG RECORD”)

DTC No.	Trouble diagnosis name	DTC detecting condition	Possible cause
B1023	PASS A/B INDCTR CKT [UNIT FAIL]	Cut-off telltale circuit is open or shorted to ground or the circuits are shorted each other.	<ul style="list-style-type: none"> • Disconnection of wiring harness. • Internal breakdown in passenger air bag cut-off indicator unit. • Internal breakdown in diagnosis sensor unit (ACU).

DTC CONFIRMATION PROCEDURE (With CONSULT)

1.INSPECTION START

Turn ignition switch ON.

>> GO TO 2.

2.CHECK SELF-DIAG RESULT

Check the screen of CONSULT.

Is malfunctioning part detected?

YES >> Refer to [SRC-35, "Diagnosis Procedure"](#).

NO >> **INSPECTION END.**

DTC CONFIRMATION PROCEDURE (Without CONSULT)

NOTE:

- SRS will not enter diagnosis mode if no malfunction is detected in user mode.

1.INSPECTION START

Turn ignition switch ON.

B1023 PASS A/B INDCTR CKT

< DTC/CIRCUIT DIAGNOSIS >

[FOR USA AND CANADA]

>> GO TO 2.

2.CHECK AIR BAG WARNING LAMP

Check the warning lamp status.

Is malfunctioning part detected?

YES >> Refer to [SRC-163, "DTC Index"](#).

NO >> **INSPECTION END.**

Diagnosis Procedure

INFOID:000000008281298

With CONSULT

WARNING:

- Before servicing, turn ignition switch OFF, disconnect both battery terminals and wait at least 3 minutes. (To discharge backup capacitor.)
- Do not use unspecified tester or other measuring device.

DIAGNOSTIC PROCEDURE

1.CHECK HARNESS CONNECTOR

Check the connection of harness connector.

Is the inspection result normal?

YES >> GO TO 2.

NO >> Repair or replace harness connectors.

2.CHECK WIRING HARNESS

Check the wiring harness externals.

Is the inspection result normal?

YES >> GO TO 3.

NO >> Repair or replace wiring harness.

3.CHECK PASSENGER AIR BAG OFF INDICATOR

1. Replace passenger air bag off indicator.

2. Check the screen of CONSULT.

Is the inspection result normal?

YES >> **INSPECTION END.**

NO >> Check the intermittent incident. Refer to [GI-46, "Intermittent Incident"](#).

A
B
C
D
E
F
G
SRC
I
J
K
L
M
N
O
P

B1026, B1027, B1028, B1029, B1030, B1031 DIAGNOSIS SENSOR UNIT

< DTC/CIRCUIT DIAGNOSIS >

[FOR USA AND CANADA]

B1026, B1027, B1028, B1029, B1030, B1031 DIAGNOSIS SENSOR UNIT

Description

INFOID:000000008281299

DTC B1026, B1027, B1028, B1029, B1030, B1031 DIAGNOSIS SENSOR UNIT

Detects the whole SRS electrical system and displays the malfunction either by illuminating or blinking the air bag warning lamp in the combination meter. Malfunctioning part can be detected by on board self-diagnosis system and electro-diagnosis tester CONSULT.

OPERATION

It detects a shock that exceeds specified level and monitors such systems as the driver and passenger air bag, side air bag, curtain air bag, pre-tensioner seat belts and Occupant Classification System (OCS) to ensure proper operation.

STRUCTURE

It contains the "G" sensors for both frontal and side collisions and spare battery function in case of main battery damage in collision.

INSTALLATION

SRS diagnosis sensor unit is installed under the center console with fixed bolts.

DTC Logic

INFOID:000000008281300

DTC DETECTION LOGIC

With CONSULT

DTC No. Index ("SELF-DIAG [CURRENT]"), ("SELF-DIAG [PAST]" or "TROUBLE DIAG RECORD")

DTC No.	Trouble diagnosis name	DTC detecting condition	Possible cause
B1026 B1027 B1028 B1029 B1030 B1031	CONTROL UNIT	Diagnosis sensor unit is out of order.	Internal breakdown in diagnosis sensor unit (ACU).

DTC CONFIRMATION PROCEDURE (With CONSULT)

1.INSPECTION START

Turn ignition switch ON.

>> GO TO 2.

2.CHECK SELF-DIAG RESULT

Check the screen of CONSULT.

Is malfunctioning part detected?

- YES >> Refer to [SRC-37, "Diagnosis Procedure"](#).
- NO >> **INSPECTION END.**

DTC CONFIRMATION PROCEDURE (Without CONSULT)

NOTE:

- SRS will not enter diagnosis mode if no malfunction is detected in user mode.

1.INSPECTION START

Turn ignition switch ON.

B1026, B1027, B1028, B1029, B1030, B1031 DIAGNOSIS SENSOR UNIT

< DTC/CIRCUIT DIAGNOSIS >

[FOR USA AND CANADA]

>> GO TO 2.

2.CHECK AIR BAG WARNING LAMP

Check the warning lamp status.

Is malfunctioning part detected?

YES >> Refer to [SRC-163, "DTC Index"](#).

NO >> **INSPECTION END.**

Diagnosis Procedure

INFOID:000000008281301

With CONSULT

WARNING:

- Before servicing, turn ignition switch OFF, disconnect both battery terminals and wait at least 3 minutes. (To discharge backup capacitor.)
- Do not use unspecified tester or other measuring device.

DIAGNOSTIC PROCEDURE

1.CHECK HARNESS CONNECTOR

Check the connection of harness connector.

Is the inspection result normal?

YES >> GO TO 2.

NO >> Repair or replace harness connectors.

2.CHECK WIRING HARNESS

Check the wiring harness externals.

Is the inspection result normal?

YES >> GO TO 3.

NO >> Replace wiring harness.

3.CHECK DIAGNOSIS SENSOR UNIT

1. Replace diagnosis sensor unit (ACU).

2. Check the screen of CONSULT.

Is the inspection result normal?

YES >> **INSPECTION END.**

NO >> Check the intermittent incident. Refer to [GI-46, "Intermittent Incident"](#).

A
B
C
D
E
F
G
H
I
J
K
L
M
N
O
P

SRC

B1033, B1034 CRASH ZONE SEN

< DTC/CIRCUIT DIAGNOSIS >

[FOR USA AND CANADA]

B1033, B1034 CRASH ZONE SEN

Description

INFOID:000000008281302

DTC B1033, B1034 [UNIT FAIL] CRASH ZONE SENSOR

Main "G" sensor generates signal voltage, when it detects deceleration beyond the specified level caused by vehicle frontal collision.

OPERATION

When ACU define the both signal voltage of the "G" sensor and the safing sensor to be that of collision which exceeds specified level, the driving circuit switches on and feeds the electric ignitor of both driver and passenger air bags and pre-tensioner seat belt.

STRUCTURE

Integrated type of the "G" sensor element for frontal collision with output terminals for signal voltage.

INSTALLATION

Crash zone sensor is installed on the radiator core support assembly with fixed nuts.

DTC Logic

INFOID:000000008281303

DTC DETECTION LOGIC

With CONSULT

DTC No. Index ("SELF-DIAG [CURRENT]"), ("SELF-DIAG [PAST]" or "TROUBLE DIAG RECORD)

DTC No.	Trouble diagnosis name	DTC detecting condition	Possible cause
B1033 B1034	CRASH ZONE SENSOR [UNIT FAIL]	Crash zone sensor is out of order.	<ul style="list-style-type: none">• Disconnection of wiring harness.• Internal breakdown in crash zone sensor.• Internal breakdown in diagnosis sensor unit (ACU).

DTC CONFIRMATION PROCEDURE (With CONSULT)

1.INSPECTION START

Turn ignition switch ON.

>> GO TO 2.

2.CHECK SELF-DIAG RESULT

Check the screen of CONSULT.

Is malfunctioning part detected?

- YES >> Refer to [SRC-39, "Diagnosis Procedure"](#).
NO >> **INSPECTION END.**

DTC CONFIRMATION PROCEDURE (Without CONSULT)

NOTE:

- SRS will not enter diagnosis mode if no malfunction is detected in user mode.

1.INSPECTION START

Turn ignition switch ON.

>> GO TO 2.

B1033, B1034 CRASH ZONE SEN

< DTC/CIRCUIT DIAGNOSIS >

[FOR USA AND CANADA]

2.CHECK AIR BAG WARNING LAMP-

Check the warning lamp status.

Is malfunctioning part detected?

- YES >> Refer to [SRC-163, "DTC Index"](#).
- NO >> **INSPECTION END.**

Diagnosis Procedure

INFOID:000000008281304

With CONSULT

WARNING:

- Before servicing, turn ignition switch OFF, disconnect both battery terminals and wait at least 3 minutes. (To discharge backup capacitor.)
- Do not use unspecified tester or other measuring device.

DIAGNOSTIC PROCEDURE

1.CHECK HARNESS CONNECTOR

Check the connection of harness connector.

Is the inspection result normal?

- YES >> GO TO 2.
- NO >> Repair or replace harness connectors.

2.CHECK WIRING HARNESS

Check the wiring harness externals.

Is the inspection result normal?

- YES >> GO TO 3.
- NO >> Repair or replace wiring harness.

3.CHECK CRASH ZONE SENSOR

1. Replace crash zone sensor.
2. Check the screen of CONSULT.

Is the inspection result normal?

- YES >> **INSPECTION END.**
- NO >> Check the intermittent incident. Refer to [GI-46, "Intermittent Incident"](#).

A
B
C
D
E
F
G
I
J
K
L
M
N
O
P

SRC

B1035, B1036, B1038, B1040 CRASH ZONE SEN

< DTC/CIRCUIT DIAGNOSIS >

[FOR USA AND CANADA]

B1035, B1036, B1038, B1040 CRASH ZONE SEN

Description

INFOID:000000008281305

DTC B1035, B1036, B1038, B1040 [COMM FAIL] CRASH ZONE SENSOR

Main "G" sensor that generates signal voltage, when it detects deceleration beyond the specified level caused by vehicle frontal collision.

OPERATION

When ACU defines both signal voltage of the "G" sensor and the safing sensor to be that of collision which exceeds specified level, the driving circuit switches on and feeds the electric ignitor of both driver and passenger air bags and pre-tensioner seat belt.

STRUCTURE

Integrated type of the "G" sensor element for frontal collision with output terminals for signal voltage.

INSTALLATION

Crash zone sensor is installed on the radiator core support assembly with fixed nuts.

DTC Logic

INFOID:000000008281306

DTC DETECTION LOGIC

With CONSULT

DTC No. Index ("SELF-DIAG [CURRENT]"), ("SELF-DIAG [PAST]" or "TROUBLE DIAG RECORD")

DTC No.	Trouble diagnosis name	DTC detecting condition	Possible cause
B1035	CRASH ZONE SENSOR [COMM FAIL]	Crash zone sensor is out of order.	<ul style="list-style-type: none">• Disconnection of wiring harness and open/short.• Internal breakdown in crash zone sensor.• Internal breakdown in diagnosis sensor unit (ACU).
B1036	[UNMATCH]		
B1038	[OPEN/UPR-VB-SHORT]		
B1040	[SHORT/UPR-GND-SHORT]		

DTC CONFIRMATION PROCEDURE (With CONSULT)

1.INSPECTION START

Turn ignition switch ON.

>> GO TO 2.

2.CHECK SELF-DIAG RESULT

Check the screen of CONSULT.

Is malfunctioning part detected?

- YES >> Refer to [SRC-41. "Diagnosis Procedure"](#).
NO >> **INSPECTION END.**

DTC CONFIRMATION PROCEDURE (Without CONSULT)

NOTE:

- SRS will not enter diagnosis mode if no malfunction is detected in user mode.

1.INSPECTION START

Turn ignition switch ON.

B1035, B1036, B1038, B1040 CRASH ZONE SEN

< DTC/CIRCUIT DIAGNOSIS >

[FOR USA AND CANADA]

>> GO TO 2.

2.CHECK AIR BAG WARNING LAMP

Check the warning lamp status.

Is malfunctioning part detected?

YES >> Refer to [SRC-163, "DTC Index"](#).

NO >> **INSPECTION END.**

Diagnosis Procedure

INFOID:000000008281307

With CONSULT

WARNING:

- Before servicing, turn ignition switch OFF, disconnect both battery terminals and wait at least 3 minutes. (To discharge backup capacitor.)
- Do not use unspecified tester or other measuring device.

DIAGNOSTIC PROCEDURE

1.CHECK HARNESS CONNECTOR

Check the connection of harness connector.

Is the inspection result normal?

YES >> GO TO 2.

NO >> Repair or replace harness connectors.

2.CHECK WIRING HARNESS

Check the wiring harness externals.

Is the inspection result normal?

YES >> GO TO 3.

NO >> Repair or replace wiring harness.

3.CHECK CRASH ZONE SENSOR

1. Replace crash zone sensor.
2. Check the screen of CONSULT.

Is the inspection result normal?

YES >> **INSPECTION END.**

NO >> Check the intermittent incident. Refer to [GI-46, "Intermittent Incident"](#).

A
B
C
D
E
F
G
H
I
J
K
L
M
N
O
P

SRC

B1042, B1043, B1044, B1045, B1046, B1047 DIAGNOSIS SENSOR UNIT

< DTC/CIRCUIT DIAGNOSIS >

[FOR USA AND CANADA]

B1042, B1043, B1044, B1045, B1046, B1047 DIAGNOSIS SENSOR UNIT

Description

INFOID:000000008281308

DTC B1042, B1043, B1044, B1045, B1046, B1047 DIAGNOSIS SENSOR UNIT

Detects the whole SRS electrical system and displays the malfunction either by illuminating or blinking the air bag warning lamp in the combination meter. Malfunctioning part can be detected by on board self-diagnosis system and electro-diagnosis tester CONSULT.

OPERATION

It detects a shock that exceeds specified level and monitors such systems as the driver and passenger air bag, side air bag, curtain air bag, pre-tensioner seat belts and Occupant Classification System (OCS) operate properly.

STRUCTURE

It contains the "G" sensors for both for frontal and side collisions and spare battery function in case of main battery damage in collision.

INSTALLATION

SRS diagnosis sensor unit is installed under the center console with fixed bolts.

DTC Logic

INFOID:000000008281309

DTC DETECTION LOGIC

With CONSULT

DTC No. Index ("SELF-DIAG [CURRENT]"), ("SELF-DIAG [PAST]" or "TROUBLE DIAG RECORD")

DTC No.	Trouble diagnosis name	DTC detecting condition	Possible cause
B1042 B1043 B1044 B1045 B1046 B1047	CONTROL UNIT	Diagnosis sensor unit is out of order.	Internal breakdown in diagnosis sensor unit (ACU).

DTC CONFIRMATION PROCEDURE (With CONSULT)

1.INSPECTION START

Turn ignition switch ON.

>> GO TO 2.

2.CHECK SELF-DIAG RESULT

Check the screen of CONSULT.

Is malfunctioning part detected?

- YES >> Refer to [SRC-43, "Diagnosis Procedure"](#).
- NO >> **INSPECTION END.**

DTC CONFIRMATION PROCEDURE (Without CONSULT)

NOTE:

- SRS will not enter diagnosis mode if no malfunction is detected in user mode.

1.INSPECTION START

Turn ignition switch ON.

B1042, B1043, B1044, B1045, B1046, B1047 DIAGNOSIS SENSOR UNIT

< DTC/CIRCUIT DIAGNOSIS >

[FOR USA AND CANADA]

>> GO TO 2.

2.CHECK AIR BAG WARNING LAMP

Check the warning lamp status.

Is malfunctioning part detected?

YES >> Refer to [SRC-163, "DTC Index"](#).

NO >> **INSPECTION END.**

Diagnosis Procedure

INFOID:000000008281310

With CONSULT

WARNING:

- Before servicing, turn ignition switch OFF, disconnect both battery terminals and wait at least 3 minutes. (To discharge backup capacitor.)
- Do not use unspecified tester or other measuring device.

DIAGNOSTIC PROCEDURE

1.CHECK HARNESS CONNECTOR

Check the connection of harness connector.

Is the inspection result normal?

YES >> GO TO 2.

NO >> Repair or replace harness connectors.

2.CHECK WIRING HARNESS

Check the wiring harness externals.

Is the inspection result normal?

YES >> GO TO 3.

NO >> Repair or replace wiring harness.

3.CHECK DIAGNOSIS SENSOR UNIT

1. Replace diagnosis sensor unit (ACU).

2. Check the screen of CONSULT.

Is the inspection result normal?

YES >> **INSPECTION END.**

NO >> Check the intermittent incident. Refer to [GI-46, "Intermittent Incident"](#).

A
B
C
D
E
F
G
H
I
J
K
L
M
N
O
P

SRC

B1049, B1054 DRIVER AIRBAG MODULE

< DTC/CIRCUIT DIAGNOSIS >

[FOR USA AND CANADA]

B1049, B1054 DRIVER AIRBAG MODULE

Description

INFOID:000000008281311

DTC B1049, B1054 [OPEN] DRIVER AIRBAG MODULE

For driver air bag module, crash is judged by main "G" sensor output signal and sub "G" sensor in front direction.

OPERATION

In case of frontal collision whose acceleration exceeds the specified level, the ignition materials are ignited by electric ignition system. The system burns and introduces the chemical reaction of gas generating materials to generate hot gases that flow into the air bag through a filter and expand the bag.

STRUCTURE

Driver air bag module mainly consists of air bag and inflator which inflates air bag.

INSTALLATION

Driver air bag module is installed on the center of steering wheel with fixed bolts.

DTC Logic

INFOID:000000008281312

DTC DETECTION LOGIC

With CONSULT

DTC No. Index ("SELF-DIAG [CURRENT]"), ("SELF-DIAG [PAST]" or "TROUBLE DIAG RECORD")

DTC No.	Trouble diagnosis name	DTC detecting condition	Possible cause
B1049 B1054	DRIVER AIRBAG MODULE [OPEN]	Driver air bag module circuit is open. (including the spiral cable.)	<ul style="list-style-type: none">• Disconnection of wiring harness and open.• Internal breakdown in driver air bag module.• Internal breakdown in spiral cable.• Internal breakdown in diagnosis sensor unit (ACU).

DTC CONFIRMATION PROCEDURE (With CONSULT)

1.INSPECTION START

Turn ignition switch ON.

>> GO TO 2.

2.CHECK SELF-DIAG RESULT

Check the screen of CONSULT.

Is malfunctioning part detected?

- YES >> Refer to [SRC-45. "Diagnosis Procedure"](#).
NO >> **INSPECTION END.**

DTC CONFIRMATION PROCEDURE (Without CONSULT)

NOTE:

- SRS will not enter diagnosis mode if no malfunction is detected in user mode.

1.INSPECTION START

Turn ignition switch ON.

B1049, B1054 DRIVER AIRBAG MODULE

< DTC/CIRCUIT DIAGNOSIS >

[FOR USA AND CANADA]

>> GO TO 2.

2.CHECK AIR BAG WARNING LAMP

Check the warning lamp status.

Is malfunctioning part detected?

YES >> Refer to [SRC-163, "DTC Index"](#).

NO >> **INSPECTION END.**

Diagnosis Procedure

INFOID:000000008281313

With CONSULT

WARNING:

- **Before servicing, turn ignition switch OFF, disconnect both battery terminals and wait at least 3 minutes. (To discharge backup capacitor.)**
- **Do not use unspecified tester or other measuring device.**

DIAGNOSTIC PROCEDURE

1.CHECK HARNESS CONNECTOR

Check the connection of harness connector.

Is the inspection result normal?

YES >> GO TO 2.

NO >> Repair or replace harness connector.

2.CHECK WIRING HARNESS

Check the wiring harness externals.

Is the inspection result normal?

YES >> GO TO 3.

NO >> Repair or replace wiring harness.

3.CHECK DRIVER AIR BAG MODULE

1. Replace driver air bag module.
2. Check the screen of CONSULT.

Is the inspection result normal?

YES >> **INSPECTION END.**

NO >> GO TO 4.

4.CHECK SPIRAL CABLE CIRCUIT

1. Turn ignition switch OFF.
2. Disconnect driver side air bag module harness connector and body side harness connector.
3. Check continuity between driver side air bag module harness connector and body side harness connector.

Driver side air bag module harness connector	Terminal	Body side harness connector	Terminal	Continuity
M350	10 11	M32	30 23	Existed
M351	13 12		23 28	

4. Check continuity between driver side air bag module harness connector and ground.

Driver side air bag module harness connector	Terminal		Continuity
M350	10 11	Ground	Not existed
M351	13 12		

B1049, B1054 DRIVER AIRBAG MODULE

< DTC/CIRCUIT DIAGNOSIS >

[FOR USA AND CANADA]

Is the inspection result normal?

YES >> Check the intermittent incident. Refer to [GI-46, "Intermittent Incident"](#).

NO >> Replace spiral cable.

B1050, B1055 DRIVER AIRBAG MODULE

< DTC/CIRCUIT DIAGNOSIS >

[FOR USA AND CANADA]

B1050, B1055 DRIVER AIRBAG MODULE

Description

INFOID:000000008281314

DTC B1050, B1055 [VB-SHORT] DRIVER AIRBAG MODULE

For driver air bag module, crash is judged by main “G” sensor output signal and sub “G” sensor in front direction.

OPERATION

In case of frontal collision whose acceleration exceeds the specified level, the ignition materials are ignited by electric ignition system. The system burns and introduces the chemical reaction of gas generating materials to generate hot gases that flow into the air bag through a filter and expand the bag.

STRUCTURE

Driver air bag module mainly consists of air bag and inflator which inflates air bag.

INSTALLATION

Driver air bag module is installed on the center of steering wheel with fixed bolts.

DTC Logic

INFOID:000000008281315

DTC DETECTION LOGIC

With CONSULT

DTC No. Index (“SELF-DIAG [CURRENT]”), (“SELF-DIAG [PAST]” or “TROUBLE DIAG RECORD”)

SRC

DTC No.	Trouble diagnosis name	DTC detecting condition	Possible cause
B1050 B1055	DRIVER AIRBAG MODULE [VB-SHORT]	Driver air bag module circuit is shorted to some power supply circuit. (including the spiral cable.)	<ul style="list-style-type: none">• Disconnection of wiring harness and short.• Internal breakdown in driver air bag module.• Internal breakdown in spiral cable.• Internal breakdown in diagnosis sensor unit (ACU).

DTC CONFIRMATION PROCEDURE (With CONSULT)

1.INSPECTION START

Turn ignition switch ON.

>> GO TO 2.

2.CHECK SELF-DIAG RESULT

Check the screen of CONSULT.

Is malfunctioning part detected?

YES >> Refer to [SRC-48. "Diagnosis Procedure"](#).

NO >> **INSPECTION END.**

DTC CONFIRMATION PROCEDURE (Without CONSULT)

NOTE:

- SRS will not enter diagnosis mode if no malfunction is detected in user mode.

1.INSPECTION START

Turn ignition switch ON.

B1050, B1055 DRIVER AIRBAG MODULE

< DTC/CIRCUIT DIAGNOSIS >

[FOR USA AND CANADA]

>> GO TO 2.

2.CHECK AIR BAG WARNING LAMP

Check the warning lamp status.

Is malfunctioning part detected?

YES >> Refer to [SRC-163. "DTC Index"](#).

NO >> **INSPECTION END.**

Diagnosis Procedure

INFOID:000000008281316

With CONSULT

WARNING:

- **Before servicing, turn ignition switch OFF, disconnect both battery terminals and wait at least 3 minutes. (To discharge backup capacitor.)**
- **Do not use unspecified tester or other measuring device.**

DIAGNOSTIC PROCEDURE

1.CHECK HARNESS CONNECTOR

Check the connection of harness connector.

Is the inspection result normal?

YES >> GO TO 2.

NO >> Repair or replace harness connector.

2.CHECK WIRING HARNESS

Check the wiring harness externals.

Is the inspection result normal?

YES >> GO TO 3.

NO >> Repair or replace wiring harness.

3.CHECK DRIVER AIR BAG MODULE

1. Replace driver air bag module.
2. Check the screen of CONSULT.

Is the inspection result normal?

YES >> **INSPECTION END.**

NO >> GO TO 4.

4.CHECK SPIRAL CABLE CIRCUIT

1. Turn ignition switch OFF.
2. Disconnect driver side air bag module harness connector and body side harness connector.
3. Check continuity between driver side air bag module harness connector and body side harness connector.

Driver side air bag module harness connector	Terminal	Body side harness connector	Terminal	Continuity
M350	10 11	M32	30 23	Existed
M351	13 12		23 28	

4. Check continuity between driver side air bag module harness connector and ground.

Driver side air bag module harness connector	Terminal		Continuity
M350	10 11	Ground	Not existed
M351	13 12		

B1050, B1055 DRIVER AIRBAG MODULE

< DTC/CIRCUIT DIAGNOSIS >

[FOR USA AND CANADA]

Is the inspection result normal?

YES >> Check the intermittent incident. Refer to [GI-46, "Intermittent Incident"](#).

NO >> Replace spiral cable.

A

B

C

D

E

F

G

SRC

I

J

K

L

M

N

O

P

B1051, B1056 DRIVER AIRBAG MODULE

< DTC/CIRCUIT DIAGNOSIS >

[FOR USA AND CANADA]

B1051, B1056 DRIVER AIRBAG MODULE

Description

INFOID:000000008281317

DTC B1051, B1056 [GND-SHORT] DRIVER AIRBAG MODULE

For driver air bag module, crash is judged by main "G" sensor output signal and sub "G" sensor in front direction.

OPERATION

In case of frontal collision whose acceleration exceeds the specified level, the ignition materials are ignited by electric ignition system. The system burns and introduces the chemical reaction of gas generating materials to generate hot gases that flow into the air bag through a filter and expand the bag.

STRUCTURE

Driver air bag module mainly consists of air bag and inflator which inflates air bag.

INSTALLATION

Driver air bag module is installed on the center of steering wheel with fixed bolts.

DTC Logic

INFOID:000000008281318

DTC DETECTION LOGIC

With CONSULT

DTC No. Index ("SELF-DIAG [CURRENT]"), ("SELF-DIAG [PAST]" or "TROUBLE DIAG RECORD")

DTC No.	Trouble diagnosis name	DTC detecting condition	Possible cause
B1051 B1056	DRIVER AIRBAG MODULE [GND-SHORT]	Driver air bag module circuit is shorted to ground. (including the spiral cable.)	<ul style="list-style-type: none">• Disconnection of wiring harness and short.• Internal breakdown in driver air bag module.• Internal breakdown in spiral cable.• Internal breakdown in diagnosis sensor unit (ACU).

DTC CONFIRMATION PROCEDURE (With CONSULT)

1.INSPECTION START

Turn ignition switch ON.

>> GO TO 2.

2.CHECK SELF-DIAG RESULT

Check the screen of CONSULT.

Is malfunctioning part detected?

- YES >> Refer to [SRC-51. "Diagnosis Procedure"](#).
NO >> **INSPECTION END.**

DTC CONFIRMATION PROCEDURE (Without CONSULT)

NOTE:

- SRS will not enter diagnosis mode if no malfunction is detected in user mode.

1.INSPECTION START

Turn ignition switch ON.

B1051, B1056 DRIVER AIRBAG MODULE

< DTC/CIRCUIT DIAGNOSIS >

[FOR USA AND CANADA]

>> GO TO 2.

2.CHECK AIR BAG WARNING LAMP

Check the warning lamp status.

Is malfunctioning part detected?

YES >> Refer to [SRC-163, "DTC Index"](#).

NO >> **INSPECTION END.**

Diagnosis Procedure

INFOID:000000008281319

With CONSULT

WARNING:

- Before servicing, turn ignition switch OFF, disconnect both battery terminals and wait at least 3 minutes. (To discharge backup capacitor.)
- Do not use unspecified tester or other measuring device.

DIAGNOSTIC PROCEDURE

1.CHECK HARNESS CONNECTOR

Check the connection of harness connector.

Is the inspection result normal?

YES >> GO TO 2.

NO >> Repair or replace harness connector.

2.CHECK WIRING HARNESS

Check the wiring harness externals.

Is the inspection result normal?

YES >> GO TO 3.

NO >> Repair or replace wiring harness.

3.CHECK DRIVER AIR BAG MODULE

1. Replace driver air bag module.
2. Check the screen of CONSULT.

Is the inspection result normal?

YES >> **INSPECTION END.**

NO >> GO TO 4.

4.CHECK SPIRAL CABLE CIRCUIT

1. Turn ignition switch OFF.
2. Disconnect driver side air bag module harness connector and body side harness connector.
3. Check continuity between driver side air bag module harness connector and body side harness connector.

Driver side air bag module harness connector	Terminal	Body side harness connector	Terminal	Continuity
M350	10	M32	30	Existed
	11		23	
M351	13		23	
	12		28	

4. Check continuity between driver side air bag module harness connector and ground.

Driver side air bag module harness connector	Terminal		Continuity
M350	10	Ground	Not existed
	11		
M351	13		
	12		

B1051, B1056 DRIVER AIRBAG MODULE

< DTC/CIRCUIT DIAGNOSIS >

[FOR USA AND CANADA]

Is the inspection result normal?

YES >> Check the intermittent incident. Refer to [GI-46, "Intermittent Incident"](#).

NO >> Replace spiral cable.

B1052, B1057 DRIVER AIRBAG MODULE

< DTC/CIRCUIT DIAGNOSIS >

[FOR USA AND CANADA]

B1052, B1057 DRIVER AIRBAG MODULE

Description

INFOID:000000008281320

DTC B1052, B1057 [SHORT] DRIVER AIRBAG MODULE

For driver air bag module, crash is judged by main “G” sensor output signal and sub “G” sensor in front direction.

OPERATION

In case of frontal collision whose acceleration exceeds the specified level, the ignition materials are ignited by electric ignition system. The system burns and introduces the chemical reaction of gas generating materials to generate hot gases that flow into the air bag through a filter and expand the bag.

STRUCTURE

Driver air bag module mainly consists of air bag and inflator which inflates air bag.

INSTALLATION

Driver air bag module is installed on the center of steering wheel with fixed bolts.

DTC Logic

INFOID:000000008281321

DTC DETECTION LOGIC

With CONSULT

DTC No. Index (“SELF-DIAG [CURRENT]”), (“SELF-DIAG [PAST]” or “TROUBLE DIAG RECORD”)

SRC

DTC No.	Trouble diagnosis name	DTC detecting condition	Possible cause
B1052 B1057	DRIVER AIRBAG MODULE [SHORT]	Driver air bag module circuit are shorted to each other. (including the spiral cable.)	<ul style="list-style-type: none">• Disconnection of wiring harness and short.• Internal breakdown in driver air bag module.• Internal breakdown in spiral cable.• Internal breakdown in diagnosis sensor unit (ACU).

DTC CONFIRMATION PROCEDURE (With CONSULT)

1.INSPECTION START

Turn ignition switch ON.

>> GO TO 2.

2.CHECK SELF-DIAG RESULT

Check the screen of CONSULT.

Is malfunctioning part detected?

YES >> Refer to [SRC-54. "Diagnosis Procedure"](#).

NO >> **INSPECTION END.**

DTC CONFIRMATION PROCEDURE (Without CONSULT)

NOTE:

- SRS will not enter diagnosis mode if no malfunction is detected in user mode.

1.INSPECTION START

Turn ignition switch ON.

B1052, B1057 DRIVER AIRBAG MODULE

< DTC/CIRCUIT DIAGNOSIS >

[FOR USA AND CANADA]

>> GO TO 2.

2.CHECK AIR BAG WARNING LAMP

Check the warning lamp status.

Is malfunctioning part detected?

YES >> Refer to [SRC-163. "DTC Index"](#).

NO >> **INSPECTION END.**

Diagnosis Procedure

INFOID:000000008281322

With CONSULT

WARNING:

- **Before servicing, turn ignition switch OFF, disconnect both battery terminals and wait at least 3 minutes. (To discharge backup capacitor.)**
- **Do not use unspecified tester or other measuring device.**

DIAGNOSTIC PROCEDURE

1.CHECK HARNESS CONNECTOR

Check the connection of harness connector.

Is the inspection result normal?

YES >> GO TO 2.

NO >> Repair or replace harness connector.

2.CHECK WIRING HARNESS

Check the wiring harness externals.

Is the inspection result normal?

YES >> GO TO 3.

NO >> Repair or replace wiring harness.

3.CHECK DRIVER AIR BAG MODULE

1. Replace driver air bag module.
2. Check the screen of CONSULT.

Is the inspection result normal?

YES >> **INSPECTION END.**

NO >> GO TO 4.

4.CHECK SPIRAL CABLE CIRCUIT

1. Turn ignition switch OFF.
2. Disconnect driver side air bag module harness connector and body side harness connector.
3. Check continuity between driver side air bag module harness connector and body side harness connector.

Driver side air bag module harness connector	Terminal	Body side harness connector	Terminal	Continuity
M350	10 11	M32	30 23	Existed
M351	13 12		23 28	

4. Check continuity between driver side air bag module harness connector and ground.

Driver side air bag module harness connector	Terminal		Continuity
M350	10 11	Ground	Not existed
M351	13 12		

B1052, B1057 DRIVER AIRBAG MODULE

< DTC/CIRCUIT DIAGNOSIS >

[FOR USA AND CANADA]

Is the inspection result normal?

YES >> Check the intermittent incident. Refer to [GI-46, "Intermittent Incident"](#).

NO >> Replace spiral cable.

A

B

C

D

E

F

G

SRC

I

J

K

L

M

N

O

P

B1058, B1059, B1060, B1061, B1062, B1063 DIAGNOSIS SENSOR UNIT

< DTC/CIRCUIT DIAGNOSIS >

[FOR USA AND CANADA]

B1058, B1059, B1060, B1061, B1062, B1063 DIAGNOSIS SENSOR UNIT

Description

INFOID:000000008281323

DTC B1058, B1059, B1060, B1061, B1062, B1063 DIAGNOSIS SENSOR UNIT

Detects the whole SRS electrical system and displays the malfunction either by illuminating or blinking the air bag warning lamp in the combination meter. Malfunctioning part can be detected by on board self-diagnosis system and electro-diagnosis tester CONSULT.

OPERATION

It detects a shock that exceeds specified level and monitors such systems as the driver and passenger air bag, side air bag, curtain air bag, pre-tensioner seat belts and Occupant Classification System (OCS) operate properly.

STRUCTURE

It contains the "G" sensors for both frontal and side collisions and spare battery function in case of main battery damage in collision.

INSTALLATION

SRS diagnosis sensor unit is installed under the center console with fixed bolts.

DTC Logic

INFOID:000000008281324

DTC DETECTION LOGIC

With CONSULT

DTC No. Index ("SELF-DIAG [CURRENT]"), ("SELF-DIAG [PAST]" or "TROUBLE DIAG RECORD")

DTC No.	Trouble diagnosis name	DTC detecting condition	Possible cause
B1058 B1059 B1060 B1061 B1062 B1063	CONTROL UNIT	Diagnosis sensor unit is out of order.	Internal breakdown in diagnosis sensor unit (ACU).

DTC CONFIRMATION PROCEDURE (With CONSULT)

1.INSPECTION START

Turn ignition switch ON.

>> GO TO 2.

2.CHECK SELF-DIAG RESULT

Check the screen of CONSULT.

Is malfunctioning part detected?

- YES >> Refer to [SRC-57, "Diagnosis Procedure"](#).
- NO >> **INSPECTION END.**

DTC CONFIRMATION PROCEDURE (Without CONSULT)

NOTE:

- SRS will not enter diagnosis mode if no malfunction is detected in user mode.

1.INSPECTION START

Turn ignition switch ON.

B1058, B1059, B1060, B1061, B1062, B1063 DIAGNOSIS SENSOR UNIT

< DTC/CIRCUIT DIAGNOSIS >

[FOR USA AND CANADA]

>> GO TO 2.

2.CHECK AIR BAG WARNING LAMP

Check the warning lamp status.

Is malfunctioning part detected?

YES >> Refer to [SRC-163, "DTC Index"](#).

NO >> **INSPECTION END.**

Diagnosis Procedure

INFOID:000000008281325

With CONSULT

WARNING:

- Before servicing, turn ignition switch OFF, disconnect both battery terminals and wait at least 3 minutes. (To discharge backup capacitor.)
- Do not use unspecified tester or other measuring device.

DIAGNOSTIC PROCEDURE

1.CHECK HARNESS CONNECTOR

Check the connection of harness connector.

Is the inspection result normal?

YES >> GO TO 2.

NO >> Repair or replace harness connectors.

2.CHECK WIRING HARNESS

Check the wiring harness externals.

Is the inspection result normal?

YES >> GO TO 3.

NO >> Replace wiring harness.

3.CHECK DIAGNOSIS SENSOR UNIT

1. Replace diagnosis sensor unit (ACU).

2. Check the screen of CONSULT.

Is the inspection result normal?

YES >> **INSPECTION END.**

NO >> Check the intermittent incident. Refer to [GI-46, "Intermittent Incident"](#).

A
B
C
D
E
F
G
H
I
J
K
L
M
N
O
P

SRC

B1065, B1070 ASSIST A/B MODULE

< DTC/CIRCUIT DIAGNOSIS >

[FOR USA AND CANADA]

B1065, B1070 ASSIST A/B MODULE

Description

INFOID:000000008281326

DTC B 1065, B1070 [OPEN] ASSIST A/B MODULE

For front passenger air bag module, crash is judged by main "G" sensor output signal and sub "G" sensor in front direction.

OPERATION

In the case of a frontal collision whose acceleration exceeds the specified level, the ignition materials are ignited by electric ignition system. The system burns and introduces the chemical reaction of gas generating materials to generate hot gases that flow into the air bag through a filter and expand the bag.

STRUCTURE

Front passenger air bag module mainly consists of air bag and inflator which inflates air bag.

INSTALLATION

Front passenger air bag module is installed on the instrument panel with fixed bolts.

DTC Logic

INFOID:000000008281327

DTC DETECTION LOGIC

With CONSULT

DTC No. Index ("SELF-DIAG [CURRENT]"), ("SELF-DIAG [PAST]" or "TROUBLE DIAG RECORD")

DTC No.	Trouble diagnosis name	DTC detecting condition	Possible cause
B1065 B1070	ASSIST A/B MODULE [OPEN]	Front passenger air bag module circuit is open.	<ul style="list-style-type: none">• Disconnection of wiring harness and open.• Internal breakdown in front passenger air bag module.• Internal breakdown in diagnosis sensor unit (ACU).

DTC CONFIRMATION PROCEDURE (With CONSULT)

1.INSPECTION START

Turn ignition switch ON.

>> GO TO 2.

2.CHECK SELF-DIAG RESULT

Check the screen of CONSULT.

Is malfunctioning part detected?

YES >> Refer to [SRC-59, "Diagnosis Procedure"](#).

NO >> **INSPECTION END.**

DTC CONFIRMATION PROCEDURE (Without CONSULT)

NOTE:

- SRS will not enter diagnosis mode if no malfunction is detected in user mode.

1.INSPECTION START

Turn ignition switch ON.

>> GO TO 2.

B1065, B1070 ASSIST A/B MODULE

< DTC/CIRCUIT DIAGNOSIS >

[FOR USA AND CANADA]

2.CHECK AIR BAG WARNING LAMP

Check the warning lamp status.

Is malfunctioning part detected?

- YES >> Refer to [SRC-163, "DTC Index"](#).
- NO >> **INSPECTION END.**

Diagnosis Procedure

INFOID:000000008281328

With CONSULT

WARNING:

- Before servicing, turn ignition switch OFF, disconnect both battery terminals and wait at least 3 minutes. (To discharge backup capacitor.)
- Do not use unspecified tester or other measuring device.

DIAGNOSTIC PROCEDURE

1.CHECK HARNESS CONNECTOR

Check the connection of harness connector.

Is the inspection result normal?

- YES >> GO TO 2.
- NO >> Repair or replace harness connector.

2.CHECK WIRING HARNESS

Check the wiring harness externals.

Is the inspection result normal?

- YES >> GO TO 3.
- NO >> Repair or replace wiring harness.

3.CHECK FRONT PASSENGER AIR BAG MODULE

1. Replace front passenger air bag module.
2. Check the screen of CONSULT.

Is the inspection result normal?

- YES >> **INSPECTION END.**
- NO >> Check the intermittent incident. Refer to [GI-46, "Intermittent Incident"](#).

A
B
C
D
E
F
G
I
J
K
L
M
N
O
P

SRC

B1066, B1071 ASSIST A/B MODULE

Description

INFOID:000000008281329

DTC B1066, B1071 [VB-SHORT] ASSIST A/B MODULE

For front passenger air bag module, crash is judged by main “G” sensor output signal and sub “G” sensor in front direction.

OPERATION

In the case of a frontal collision whose acceleration exceeds the specified level, the ignition materials are ignited by electric ignition system. The system burns and introduces the chemical reaction of gas generating materials to generate hot gases that flow into the air bag through a filter and expand the bag.

STRUCTURE

Front passenger air bag module mainly consists of air bag and inflator which inflates air bag.

INSTALLATION

Front passenger air bag module is installed on the instrument panel with fixed bolts.

DTC Logic

INFOID:000000008281330

DTC DETECTION LOGIC

With CONSULT

DTC No. Index (“SELF-DIAG [CURRENT]”), (“SELF-DIAG [PAST]” or “TROUBLE DIAG RECORD”)

DTC No.	Trouble diagnosis name	DTC detecting condition	Possible cause
B1066 B1071	ASSIST A/B MODULE [VB-SHORT]	Front passenger air bag module circuit is shorted to some power supply circuit.	<ul style="list-style-type: none"> • Disconnection of wiring harness and short. • Internal breakdown in front passenger air bag module. • Internal breakdown in diagnosis sensor unit (ACU).

DTC CONFIRMATION PROCEDURE (With CONSULT)

1.INSPECTION START

Turn ignition switch ON.

>> GO TO 2.

2.CHECK SELF-DIAG RESULT

Check the screen of CONSULT.

Is malfunctioning part detected?

YES >> Refer to [SRC-61, "Diagnosis Procedure"](#).

NO >> **INSPECTION END.**

DTC CONFIRMATION PROCEDURE (Without CONSULT)

NOTE:

- SRS will not enter diagnosis mode if no malfunction is detected in user mode.

1.INSPECTION START

Turn ignition switch ON.

>> GO TO 2.

B1066, B1071 ASSIST A/B MODULE

< DTC/CIRCUIT DIAGNOSIS >

[FOR USA AND CANADA]

2.CHECK AIR BAG WARNING LAMP

Check the warning lamp status.

Is malfunctioning part detected?

- YES >> Refer to [SRC-163, "DTC Index"](#).
NO >> **INSPECTION END.**

Diagnosis Procedure

INFOID:000000008281331

With CONSULT

WARNING:

- Before servicing, turn ignition switch OFF, disconnect both battery terminals and wait at least 3 minutes. (To discharge backup capacitor.)
- Do not use unspecified tester or other measuring device.

DIAGNOSTIC PROCEDURE

1.CHECK HARNESS CONNECTOR

Check the connection of harness connector.

Is the inspection result normal?

- YES >> GO TO 2.
NO >> Repair or replace harness connector.

2.CHECK WIRING HARNESS

Check the wiring harness externals.

Is the inspection result normal?

- YES >> GO TO 3.
NO >> Repair or replace wiring harness.

3.CHECK FRONT PASSENGER AIR BAG MODULE

1. Replace front passenger air bag module.
2. Check the screen of CONSULT.

Is the inspection result normal?

- YES >> **INSPECTION END.**
NO >> Check the intermittent incident. Refer to [GI-46, "Intermittent Incident"](#).

A
B
C
D
E
F
G
I
J
K
L
M
N
O
P

SRC

B1067, B1072 ASSIST A/B MODULE

< DTC/CIRCUIT DIAGNOSIS >

[FOR USA AND CANADA]

B1067, B1072 ASSIST A/B MODULE

Description

INFOID:000000008281332

DTC B1067, B1072 [GND-SHORT] ASSIST A/B MODULE

For front passenger air bag module, crash is judged by main "G" sensor output signal and sub "G" sensor in front direction.

OPERATION

In the case of a frontal collision whose acceleration exceeds the specified level, the ignition materials are ignited by electric ignition system. The system burns and introduces the chemical reaction of gas generating materials to generate hot gases that flow into the air bag through a filter and expand the bag.

STRUCTURE

Front passenger air bag module mainly consists of air bag and inflator which inflates air bag.

INSTALLATION

Front passenger air bag module is installed on the instrument panel with fixed bolts.

DTC Logic

INFOID:000000008281333

DTC DETECTION LOGIC

With CONSULT

DTC No. Index ("SELF-DIAG [CURRENT]"), ("SELF-DIAG [PAST]" or "TROUBLE DIAG RECORD")

DTC No.	Trouble diagnosis name	DTC detecting condition	Possible cause
B1067 B1072	ASSIST A/B MODULE [GND-SHORT]	Front passenger air bag module circuit is shorted to ground.	<ul style="list-style-type: none">• Disconnection of wiring harness and short.• Internal breakdown in front passenger air bag module.• Internal breakdown in diagnosis sensor unit (ACU).

DTC CONFIRMATION PROCEDURE (With CONSULT)

1.INSPECTION START

Turn ignition switch ON.

>> GO TO 2.

2.CHECK SELF-DIAG RESULT

Check the screen of CONSULT.

Is malfunctioning part detected?

YES >> Refer to [SRC-63, "Diagnosis Procedure"](#).

NO >> **INSPECTION END.**

DTC CONFIRMATION PROCEDURE (Without CONSULT)

NOTE:

- SRS will not enter diagnosis mode if no malfunction is detected in user mode.

1.INSPECTION START

Turn ignition switch ON.

>> GO TO 2.

B1067, B1072 ASSIST A/B MODULE

< DTC/CIRCUIT DIAGNOSIS >

[FOR USA AND CANADA]

2.CHECK AIR BAG WARNING LAMP

Check the warning lamp status.

Is malfunctioning part detected?

- YES >> Refer to [SRC-163, "DTC Index"](#).
- NO >> **INSPECTION END.**

Diagnosis Procedure

INFOID:000000008281334

With CONSULT

WARNING:

- Before servicing, turn ignition switch OFF, disconnect both battery terminals and wait at least 3 minutes. (To discharge backup capacitor.)
- Do not use unspecified tester or other measuring device.

DIAGNOSTIC PROCEDURE

1.CHECK HARNESS CONNECTOR

Check the connection of harness connector.

Is the inspection result normal?

- YES >> GO TO 2.
- NO >> Repair or replace harness connector.

2.CHECK WIRING HARNESS

Check the wiring harness externals.

Is the inspection result normal?

- YES >> GO TO 3.
- NO >> Replace wiring harness.

3.CHECK FRONT PASSENGER AIR BAG MODULE

1. Replace front passenger air bag module.
2. Check the screen of CONSULT.

Is the inspection result normal?

- YES >> **INSPECTION END.**
- NO >> Check the intermittent incident. Refer to [GI-46, "Intermittent Incident"](#).

A
B
C
D
E
F
G
I
J
K
L
M
N
O
P

SRC

B1068, B1073 ASSIST A/B MODULE

Description

INFOID:000000008281335

DTC B1068, B1073 [SHORT] ASSIST A/B MODULE

For front passenger air bag module, crash is judged by main “G” sensor output signal and sub “G” sensor in front direction.

OPERATION

In the case of a frontal collision whose acceleration exceeds the specified level, the ignition materials are ignited by electric ignition system. The system burns and introduces the chemical reaction of gas generating materials to generate hot gases that flow into the air bag through a filter and expand the bag.

STRUCTURE

Front passenger air bag module mainly consists of air bag and inflator which inflates air bag.

INSTALLATION

Front passenger air bag module is installed on the instrument panel with fixed bolts.

DTC Logic

INFOID:000000008281336

DTC DETECTION LOGIC

With CONSULT

DTC No. Index (“SELF-DIAG [CURRENT]”), (“SELF-DIAG [PAST]” or “TROUBLE DIAG RECORD”)

DTC No.	Trouble diagnosis name	DTC detecting condition	Possible cause
B1068 B1073	ASSIST A/B MODULE [SHORT]	Front passenger air bag module circuits are shorted to each other.	<ul style="list-style-type: none"> • Disconnection of wiring harness and short. • Internal breakdown in front passenger air bag module. • Internal breakdown in diagnosis sensor unit (ACU).

DTC CONFIRMATION PROCEDURE (With CONSULT)

1.INSPECTION START

Turn ignition switch ON.

>> GO TO 2.

2.CHECK SELF-DIAG RESULT

Check the screen of CONSULT.

Is malfunctioning part detected?

- YES >> Refer to [SRC-65, "Diagnosis Procedure"](#).
- NO >> **INSPECTION END.**

DTC CONFIRMATION PROCEDURE (Without CONSULT)

NOTE:

- SRS will not enter diagnosis mode if no malfunction is detected in user mode.

1.INSPECTION START

Turn ignition switch ON.

>> GO TO 2.

B1068, B1073 ASSIST A/B MODULE

< DTC/CIRCUIT DIAGNOSIS >

[FOR USA AND CANADA]

2.CHECK AIR BAG WARNING LAMP

Check the warning lamp status.

Is malfunctioning part detected?

- YES >> Refer to [SRC-163, "DTC Index"](#).
- NO >> **INSPECTION END.**

Diagnosis Procedure

INFOID:000000008281337

With CONSULT

WARNING:

- Before servicing, turn ignition switch OFF, disconnect both battery terminal and wait at least 3 minutes. (To discharge backup capacitor.)
- Do not use unspecified tester or other measuring device.

DIAGNOSTIC PROCEDURE

1.CHECK HARNESS CONNECTOR

Check the connection of harness connector.

Is the inspection result normal?

- YES >> GO TO 2.
- NO >> Repair or replace harness connector.

2.CHECK WIRING HARNESS

Check the wiring harness externals.

Is the inspection result normal?

- YES >> GO TO 3.
- NO >> Repair or replace wiring harness.

3.CHECK FRONT PASSENGER AIR BAG MODULE

1. Replace front passenger air bag module.
2. Check the screen of CONSULT.

Is the inspection result normal?

- YES >> **INSPECTION END.**
- NO >> Check the intermittent incident. Refer to [GI-46, "Intermittent Incident"](#).

A
B
C
D
E
F
G
I
J
K
L
M
N
O
P

SRC

B1074, B1075, B1076, B1077, B1078, B1079 DIAGNOSIS SENSOR UNIT

< DTC/CIRCUIT DIAGNOSIS >

[FOR USA AND CANADA]

B1074, B1075, B1076, B1077, B1078, B1079 DIAGNOSIS SENSOR UNIT

Description

INFOID:000000008281338

DTC B1074, B1075, B1076, B1077, B1078, B1079 DIAGNOSIS SENSOR UNIT

Detects the whole SRS electrical system and displays the malfunction either by illuminating or blinking the air bag warning lamp in the combination meter. Malfunctioning part can be detected by on board self-diagnosis system and electro-diagnosis tester CONSULT.

OPERATION

It detects a shock that exceeds specified level and monitors such systems as the driver and passenger air bag, side air bag, curtain air bag, pre-tensioner seat belts and Occupant Classification System (OCS) operate properly.

STRUCTURE

It contains the "G" sensors for both frontal and side collisions and spare battery function in case of main battery damage in collision.

INSTALLATION

SRS diagnosis sensor unit is installed under the center console with fixed bolts.

DTC Logic

INFOID:000000008281339

DTC DETECTION LOGIC

With CONSULT

DTC No. Index ("SELF-DIAG [CURRENT]"), ("SELF-DIAG [PAST]" or "TROUBLE DIAG RECORD")

DTC No.	Trouble diagnosis name	DTC detecting condition	Possible cause
B1074 B1075 B1076 B1077 B1078 B1079	CONTROL UNIT	Diagnosis sensor unit is out of order.	Internal breakdown in diagnosis sensor unit (ACU).

DTC CONFIRMATION PROCEDURE (With CONSULT)

1.INSPECTION START

Turn ignition switch ON.

>> GO TO 2.

2.CHECK SELF-DIAG RESULT

Check the screen of CONSULT.

Is malfunctioning part detected?

- YES >> Refer to [SRC-67, "Diagnosis Procedure"](#).
- NO >> **INSPECTION END.**

DTC CONFIRMATION PROCEDURE (Without CONSULT)

NOTE:

- SRS will not enter diagnosis mode if no malfunction is detected in user mode.

1.INSPECTION START

Turn ignition switch ON.

B1074, B1075, B1076, B1077, B1078, B1079 DIAGNOSIS SENSOR UNIT

< DTC/CIRCUIT DIAGNOSIS >

[FOR USA AND CANADA]

>> GO TO 2.

2.CHECK AIR BAG WARNING LAMP

Check the warning lamp status.

Is malfunctioning part detected?

YES >> Refer to [SRC-163, "DTC Index"](#).

NO >> **INSPECTION END.**

Diagnosis Procedure

INFOID:000000008281340

With CONSULT

WARNING:

- Before servicing, turn ignition switch OFF, disconnect both battery terminals and wait at least 3 minutes. (To discharge backup capacitor.)
- Do not use unspecified tester or other measuring device.

DIAGNOSTIC PROCEDURE

1.CHECK HARNESS CONNECTOR

Check the connection of harness connector.

Is the inspection result normal?

YES >> GO TO 2.

NO >> Repair or replace harness connectors.

2.CHECK WIRING HARNESS

Check the wiring harness externals.

Is the inspection result normal?

YES >> GO TO 3.

NO >> Repair or replace wiring harness.

3.CHECK DIAGNOSIS SENSOR UNIT

1. Replace diagnosis sensor unit (ACU).

2. Check the screen of CONSULT.

Is the inspection result normal?

YES >> **INSPECTION END.**

NO >> Check the intermittent incident. Refer to [GI-46, "Intermittent Incident"](#).

A
B
C
D
E
F
G
H
I
J
K
L
M
N
O
P

SRC

B1081 PRE-TEN FRONT RH**Description**

INFOID:000000008281341

DTC B1081 [OPEN] PRE-TEN FRONT RH

For front RH seat belt pre-tensioner, crash is judged by main “G” sensor output signal and sub “G” sensor in front direction.

OPERATION

In the case of a frontal collision that exceeds specified impact level, the diagnosis sensor unit detects the deceleration caused by collision. It restrains the passenger with seat belt easing the stress on passengers chest with load limiter.

STRUCTURE

The restraint system for front seat occupant consists of the pre-tensioner mechanism and load limiter mechanism.

INSTALLATION

Front RH seat belt pre-tensioner is installed on the underside of center pillar with fixed nuts.

DTC Logic

INFOID:000000008281342

DTC DETECTION LOGIC

With CONSULT

DTC No. Index (“SELF-DIAG [CURRENT]”), (“SELF-DIAG [PAST]” or “TROUBLE DIAG RECORD”)

DTC No.	Trouble diagnosis name	DTC detecting condition	Possible cause
B1081	PRE-TEN FRONT RH [OPEN]	Front RH seat belt pre-tensioner circuit is open.	<ul style="list-style-type: none"> • Disconnection of wiring harness and open. • Internal breakdown in front RH seat belt pre-tensioner. • Internal breakdown in diagnosis sensor unit (ACU).

DTC CONFIRMATION PROCEDURE (With CONSULT)**1.INSPECTION START**

Turn ignition switch ON.

>> GO TO 2.

2.CHECK SELF-DIAG RESULT

Check the screen of CONSULT.

Is malfunctioning part detected?

- YES >> Refer to [SRC-69. "Diagnosis Procedure"](#).
 NO >> **INSPECTION END.**

DTC CONFIRMATION PROCEDURE (Without CONSULT)**NOTE:**

- SRS will not enter diagnosis mode if no malfunction is detected in user mode.

1.INSPECTION START

Turn ignition switch ON.

< DTC/CIRCUIT DIAGNOSIS >

>> GO TO 2.

2.CHECK AIR BAG WARNING LAMP

Check the warning lamp status.

Is malfunctioning part detected?

- YES >> Refer to [SRC-163, "DTC Index"](#).
- NO >> **INSPECTION END.**

Diagnosis Procedure

INFOID:000000008281343

With CONSULT

WARNING:

- Before servicing, turn ignition switch OFF, disconnect both battery terminals and wait at least 3 minutes. (To discharge backup capacitor.)
- Do not use unspecified tester or other measuring device.

DIAGNOSTIC PROCEDURE

1.CHECK HARNESS CONNECTOR

Check the connection of harness connector.

Is the inspection result normal?

- YES >> GO TO 2.
- NO >> Repair or replace harness connector.

2.CHECK WIRING HARNESS

Check the wiring harness externals.

Is the inspection result normal?

- YES >> GO TO 3.
- NO >> Repair or replace wiring harness.

3.CHECK FRONT SEAT BELT PRE-TENSIONER

1. Replace front RH seat belt pre-tensioner.
2. Check the screen of CONSULT.

Is the inspection result normal?

- YES >> **INSPECTION END.**
- NO >> Check the intermittent incident. Refer to [GI-46, "Intermittent Incident"](#).

A
B
C
D
E
F
G
I
J
K
L
M
N
O
P

SRC

B1082 PRE-TEN FRONT RH**Description**

INFOID:000000008281344

DTC B1082 [VB-SHORT] PRE-TEN FRONT RH

For front RH seat belt pre-tensioner, crash is judged by main "G" sensor output signal and sub "G" sensor in front direction.

OPERATION

In the case of a frontal collision that exceeds specified impact level, the diagnosis sensor unit detects the deceleration caused by collision. If restrains the passenger with seat belt easing the stress on passengers chest with load limiter.

STRUCTURE

The restraint system for front seat occupant consists of the pre-tensioner mechanism and load limiter mechanism.

INSTALLATION

Front RH seat belt pre-tensioner is installed on the underside of center pillar with fixed nuts.

DTC Logic

INFOID:000000008281345

DTC DETECTION LOGIC

With CONSULT

DTC No. Index ("SELF-DIAG [CURRENT]"), ("SELF-DIAG [PAST]" or "TROUBLE DIAG RECORD")

DTC No.	Trouble diagnosis name	DTC detecting condition	Possible cause
B1082	PRE-TEN FRONT RH [VB-SHORT]	Front RH seat belt pre-tensioner circuit is shorted to some power supply circuit.	<ul style="list-style-type: none"> • Disconnection of wiring harness and short. • Internal breakdown in front RH seat belt pre-tensioner. • Internal breakdown in diagnosis sensor unit (ACU).

DTC CONFIRMATION PROCEDURE (With CONSULT)**1.INSPECTION START**

Turn ignition switch ON.

>> GO TO 2.

2.CHECK SELF-DIAG RESULT

Check the screen of CONSULT.

Is malfunctioning part detected?

- YES >> Refer to [SRC-71. "Diagnosis Procedure"](#).
 NO >> **INSPECTION END.**

DTC CONFIRMATION PROCEDURE (Without CONSULT)**NOTE:**

- SRS will not enter diagnosis mode if no malfunction is detected in user mode.

1.INSPECTION START

Turn ignition switch ON.

< DTC/CIRCUIT DIAGNOSIS >

>> GO TO 2.

2.CHECK AIR BAG WARNING LAMP

Check the warning lamp status.

Is malfunctioning part detected?

YES >> Refer to SRC-163, "DTC Index".

NO >> INSPECTION END.

Diagnosis Procedure

INFOID:000000008281346

With CONSULT

WARNING:

- Before servicing, turn ignition switch OFF, disconnect both battery terminals and wait at least 3 minutes. (To discharge backup capacitor.)
- Do not use unspecified tester or other measuring device.

DIAGNOSTIC PROCEDURE

1.CHECK HARNESS CONNECTOR

Check the connection of harness connector.

Is the inspection result normal?

YES >> GO TO 2.

NO >> Repair or replace harness connector.

2.CHECK WIRING HARNESS

Check the wiring harness externals.

Is the inspection result normal?

YES >> GO TO 3.

NO >> Repair or replace wiring harness.

3.CHECK FRONT SEAT BELT PRE-TENSIONER

1. Replace front RH seat belt pre-tensioner.

2. Check the screen of CONSULT.

Is the inspection result normal?

YES >> INSPECTION END.

NO >> Check the intermittent incident. Refer to GI-46, "Intermittent Incident".

A
B
C
D
E
F
G
I
J
K
L
M
N
O
P

SRC

B1083 PRE-TEN FRONT RH

Description

INFOID:000000008281347

DTC B1083 [GND-SHORT] PRE-TEN FRONT RH

For front RH seat belt pre-tensioner, crash is judged by main “G” sensor output signal and sub “G” sensor in front direction.

OPERATION

In case of frontal collision that exceeds specified impact level, the diagnosis sensor unit detects the deceleration caused by collision. If restrains the passenger with seat belt easing the stress on passengers chest with load limiter.

STRUCTURE

The restraint system for front seat occupant consists of the pre-tensioner mechanism and load limiter mechanism.

INSTALLATION

Front RH seat belt pre-tensioner is installed on the underside of center pillar with fixed nuts.

DTC Logic

INFOID:000000008281348

DTC DETECTION LOGIC

With CONSULT

DTC No. Index (“SELF-DIAG [CURRENT]”), (“SELF-DIAG [PAST]” or “TROUBLE DIAG RECORD”)

DTC No.	Trouble diagnosis name	DTC detecting condition	Possible cause
B1083	PRE-TEN FRONT RH [GND-SHORT]	Front RH seat belt pre-tensioner circuit is shorted to ground.	<ul style="list-style-type: none"> • Disconnection of wiring harness and short. • Internal breakdown in front RH seat belt pre-tensioner. • Internal breakdown in diagnosis sensor unit (ACU).

DTC CONFIRMATION PROCEDURE (With CONSULT)

1.INSPECTION START

Turn ignition switch ON.

>> GO TO 2.

2.CHECK SELF-DIAG RESULT

Check the screen of CONSULT.

Is malfunctioning part detected?

- YES >> Refer to [SRC-73. "Diagnosis Procedure"](#).
- NO >> **INSPECTION END.**

DTC CONFIRMATION PROCEDURE (Without CONSULT)

NOTE:

- SRS will not enter diagnosis mode if no malfunction is detected in user mode.

1.INSPECTION START

Turn ignition switch ON.

< DTC/CIRCUIT DIAGNOSIS >

>> GO TO 2.

2.CHECK AIR BAG WARNING LAMP

Check the warning lamp status.

Is malfunctioning part detected?

YES >> Refer to SRC-163, "DTC Index".

NO >> INSPECTION END.

Diagnosis Procedure

INFOID:000000008281349

With CONSULT

WARNING:

- Before servicing, turn ignition switch OFF, disconnect both battery terminals and wait at least 3 minutes. (To discharge backup capacitor.)
- Do not use unspecified tester or other measuring device.

DIAGNOSTIC PROCEDURE

1.CHECK HARNESS CONNECTOR

Check the connection of harness connector.

Is the inspection result normal?

YES >> GO TO 2.

NO >> Repair or replace harness connector.

2.CHECK WIRING HARNESS

Check the wiring harness externals.

Is the inspection result normal?

YES >> GO TO 3.

NO >> Repair or replace wiring harness.

3.CHECK FRONT SEAT BELT PRE-TENSIONER

1. Replace front RH seat belt pre-tensioner.

2. Check the screen of CONSULT.

Is the inspection result normal?

YES >> INSPECTION END.

NO >> Check the intermittent incident. Refer to GI-46, "Intermittent Incident".

A
B
C
D
E
F
G
I
J
K
L
M
N
O
P

SRC

B1084 PRE-TEN FRONT RH**Description**

INFOID:000000008281350

DTC B1084 [SHORT] PRE-TEN FRONT RH

For front RH seat belt pre-tensioner, crash is judged by main “G” sensor output signal and sub “G” sensor in front direction.

OPERATION

In the case of a frontal collision that exceeds specified impact level, the diagnosis sensor unit detects the deceleration caused by collision. If restrains the passenger with seat belt easing the stress on passengers chest with load limiter.

STRUCTURE

The restraint system for front seat occupant consists of the pre-tensioner mechanism and load limiter mechanism.

INSTALLATION

Front RH seat belt pre-tensioner is installed on the underside of center pillar with fixed nuts.

DTC Logic

INFOID:000000008281351

DTC DETECTION LOGIC

With CONSULT

DTC No. Index (“SELF-DIAG [CURRENT]”), (“SELF-DIAG [PAST]” or “TROUBLE DIAG RECORD”)

DTC No.	Trouble diagnosis name	DTC detecting condition	Possible cause
B1084	PRE-TEN FRONT RH [SHORT]	Front RH seat belt pre-tensioner circuit are shorted to each other.	<ul style="list-style-type: none"> • Disconnection of wiring harness and short. • Internal breakdown in front RH seat belt pre-tensioner. • Internal breakdown in diagnosis sensor unit (ACU).

DTC CONFIRMATION PROCEDURE (With CONSULT)**1.INSPECTION START**

Turn ignition switch ON.

>> GO TO 2.

2.CHECK SELF-DIAG RESULT

Check the screen of CONSULT.

Is malfunctioning part detected?

- YES >> Refer to [SRC-75. "Diagnosis Procedure"](#).
 NO >> **INSPECTION END.**

DTC CONFIRMATION PROCEDURE (Without CONSULT)**NOTE:**

- SRS will not enter diagnosis mode if no malfunction is detected in user mode.

1.INSPECTION START

Turn ignition switch ON.

< DTC/CIRCUIT DIAGNOSIS >

>> GO TO 2.

2.CHECK AIR BAG WARNING LAMP

Check the warning lamp status.

Is malfunctioning part detected?

YES >> Refer to SRC-163, "DTC Index".

NO >> INSPECTION END.

Diagnosis Procedure

INFOID:000000008281352

With CONSULT

WARNING:

- Before servicing, turn ignition switch OFF, disconnect both battery terminals and wait at least 3 minutes. (To discharge backup capacitor.)
- Do not use unspecified tester or other measuring device.

DIAGNOSTIC PROCEDURE

1.CHECK HARNESS CONNECTOR

Check the connection of harness connector.

Is the inspectiion result normal?

YES >> GO TO 2.

NO >> Repair or replace harness connector.

2.CHECK WIRING HARNESS

Check the wiring harness externals.

Is the inspection result normal?

YES >> GO TO 3.

NO >> Repair or replace wiring harness.

3.CHECK FRONT SEAT BELT PRE-TENSIONER

1. Replace front RH seat belt pre-tensioner.

2. Check the screen of CONSULT.

Is the inspection result normal?

YES >> INSPECTION END.

NO >> Check the intermittent incident. Refer to GI-46, "Intermittent Incident".

A
B
C
D
E
F
G
I
J
K
L
M
N
O
P

SRC

B1086 PRE-TEN FRONT LH

Description

INFOID:000000008281353

DTC B1086 [OPEN] PRE-TEN FRONT LH

For front LH seat belt pre-tensioner, crash is judged by main “G” sensor output signal and sub “G” sensor in front direction.

OPERATION

In the case of a frontal collision that exceeds specified impact level, the diagnosis sensor unit detects the deceleration caused by collision. If restrains the passenger with seat belt easing the stress on passengers chest with load limiter.

STRUCTURE

The restraint system for front seat occupant consists of the pre-tensioner mechanism and load limiter mechanism.

INSTALLATION

Front LH seat belt pre-tensioner is installed on the underside of center pillar with fixed nuts.

DTC Logic

INFOID:000000008281354

DTC DETECTION LOGIC

With CONSULT

DTC No. Index (“SELF-DIAG [CURRENT]”), (“SELF-DIAG [PAST]” or “TROUBLE DIAG RECORD”)

DTC No.	Trouble diagnosis name	DTC detecting condition	Possible cause
B1086	PRE-TEN FRONT LH [OPEN]	Front LH seat belt pre-tensioner circuit is open.	<ul style="list-style-type: none"> • Disconnection of wiring harness and open. • Internal breakdown in front LH seat belt pre-tensioner. • Internal breakdown in diagnosis sensor unit (ACU).

DTC CONFIRMATION PROCEDURE (With CONSULT)

1.INSPECTION START

Turn ignition switch ON.

>> GO TO 2.

2.CHECK SELF-DIAG RESULT

Check the screen of CONSULT.

Is malfunctioning part detected?

YES >> Refer to [SRC-77. "Diagnosis Procedure"](#).

NO >> **INSPECTION END.**

DTC CONFIRMATION PROCEDURE (Without CONSULT)

NOTE:

- SRS will not enter diagnosis mode if no malfunction is detected in user mode.

1.INSPECTION START

Turn ignition switch ON.

< DTC/CIRCUIT DIAGNOSIS >

>> GO TO 2.

2.CHECK AIR BAG WARNING LAMP

Check the warning lamp status.

Is malfunctioning part detected?

YES >> Refer to SRC-163, "DTC Index".

NO >> INSPECTION END.

Diagnosis Procedure

INFOID:000000008281355

With CONSULT

WARNING:

- Before servicing, turn ignition switch OFF, disconnect both battery terminals and wait at least 3 minutes. (To discharge backup capacitor.)
- Do not use unspecified tester or other measuring device.

DIAGNOSTIC PROCEDURE

1.CHECK HARNESS CONNECTOR

Check the connection of harness connector.

Is the inspection result normal?

YES >> GO TO 2.

NO >> Repair or replace harness connector.

2.CHECK WIRING HARNESS

Check the wiring harness externals.

Is the inspection result normal?

YES >> GO TO 3.

NO >> Replace wiring harness.

3.CHECK FRONT SEAT BELT PRE-TENSIONER

1. Replace front LH seat belt pre-tensioner.

2. Check the screen of CONSULT.

Is the inspection result normal?

YES >> INSPECTION END.

NO >> Check the intermittent incident. Refer to GI-46, "Intermittent Incident".

A
B
C
D
E
F
G
I
J
K
L
M
N
O
P

SRC

B1087 PRE-TEN FRONT LH**Description**

INFOID:000000008281356

DTC B1087 [VB-SHORT] PRE-TEN FRONT LH

For front LH seat belt pre-tensioner, crash is judged by main “G” sensor output signal and sub “G” sensor in front direction.

OPERATION

In the case of a frontal collision that exceeds specified impact level, the diagnosis sensor unit detects the deceleration caused by collision. It restrains the passenger with seat belt easing the stress on passengers chest with load limiter.

STRUCTURE

The restraint system for front seat occupant consists of the pre-tensioner mechanism and load limiter mechanism.

INSTALLATION

Front LH seat belt pre-tensioner is installed on the underside of center pillar with fixed nuts.

DTC Logic

INFOID:000000008281357

DTC DETECTION LOGIC

With CONSULT

DTC No. Index (“SELF-DIAG [CURRENT]”), (“SELF-DIAG [PAST]” or “TROUBLE DIAG RECORD”)

DTC No.	Trouble diagnosis name	DTC detecting condition	Possible cause
B1087	PRE-TEN FRONT LH [VB-SHORT]	Front LH seat belt pre-tensioner circuit is shorted to some power supply circuit.	<ul style="list-style-type: none"> • Disconnection of wiring harness and short. • Internal breakdown in front LH seat belt pre-tensioner. • Internal breakdown in diagnosis sensor unit (ACU).

DTC CONFIRMATION PROCEDURE (With CONSULT)**1.INSPECTION START**

Turn ignition switch ON.

>> GO TO 2.

2.CHECK SELF-DIAG RESULT

Check the screen of CONSULT.

Is malfunctioning part detected?

- YES >> Refer to [SRC-79. "Diagnosis Procedure"](#).
 NO >> **INSPECTION END.**

DTC CONFIRMATION PROCEDURE (Without CONSULT)**NOTE:**

- SRS will not enter diagnosis mode if no malfunction is detected in user mode.

1.INSPECTION START

Turn ignition switch ON.

< DTC/CIRCUIT DIAGNOSIS >

>> GO TO 2.

2.CHECK AIR BAG WARNING LAMP

Check the warning lamp status.

Is malfunctioning part detected?

YES >> Refer to [SRC-163, "DTC Index"](#).

NO >> **INSPECTION END.**

Diagnosis Procedure

INFOID:000000008281358

With CONSULT

WARNING:

- Before servicing, turn ignition switch OFF, disconnect both battery terminals and wait at least 3 minutes. (To discharge backup capacitor.)
- Do not use unspecified tester or other measuring device.

DIAGNOSTIC PROCEDURE

1.CHECK HARNESS CONNECTOR

Check the connection of harness connector.

Is the inspection result normal?

YES >> GO TO 2.

NO >> Repair or replace harness connector.

2.CHECK WIRING HARNESS

Check the wiring harness externals.

Is the inspection result normal?

YES >> GO TO 3.

NO >> Repair or replace wiring harness.

3.CHECK FRONT SEAT BELT PRE-TENSIONER

1. Replace front LH seat belt pre-tensioner.

2. Check the screen of CONSULT.

Is the inspection result normal?

YES >> **INSPECTION END.**

NO >> Check the intermittent incident. Refer to [GI-46, "Intermittent Incident"](#).

A
B
C
D
E
F
G
I
J
K
L
M
N
O
P

SRC

B1088 PRE-TEN FRONT LH

Description

INFOID:000000008281359

DTC B1088 [GND-SHORT] PRE-TEN FRONT LH

For front LH seat belt pre-tensioner, crash is judged by main “G” sensor output signal and sub “G” sensor in front direction.

OPERATION

In the case of a frontal collision that exceeds specified impact level, the diagnosis sensor unit detects the deceleration caused by collision. If restrains the passenger with seat belt easing the stress on passengers chest with load limiter.

STRUCTURE

The restraint system for front seat occupant consists of the pre-tensioner mechanism and load limiter mechanism.

INSTALLATION

Front LH seat belt pre-tensioner is installed on the underside of center pillar with fixed nuts.

DTC Logic

INFOID:000000008281360

DTC DETECTION LOGIC

With CONSULT

DTC No. Index (“SELF-DIAG [CURRENT]”), (“SELF-DIAG [PAST]” or “TROUBLE DIAG RECORD”)

DTC No.	Trouble diagnosis name	DTC detecting condition	Possible cause
B1088	PRE-TEN FRONT LH [GND-SHORT]	Front LH seat belt pre-tensioner circuit is shorted to ground.	<ul style="list-style-type: none"> • Disconnection of wiring harness and short. • Internal breakdown in front LH seat belt pre-tensioner. • Internal breakdown in diagnosis sensor unit (ACU).

DTC CONFIRMATION PROCEDURE (With CONSULT)

1.INSPECTION START

Turn ignition switch ON.

>> GO TO 2.

2.CHECK SELF-DIAG RESULT

Check the screen of CONSULT.

Is malfunctioning part detected?

YES >> Refer to [SRC-81. "Diagnosis Procedure"](#).

NO >> **INSPECTION END.**

DTC CONFIRMATION PROCEDURE (Without CONSULT)

NOTE:

- SRS will not enter diagnosis mode if no malfunction is detected in user mode.

1.INSPECTION START

Turn ignition switch ON.

< DTC/CIRCUIT DIAGNOSIS >

>> GO TO 2.

2.CHECK AIR BAG WARNING LAMP

Check the warning lamp status.

Is malfunctioning part detected?

YES >> Refer to SRC-163, "DTC Index".

NO >> INSPECTION END.

Diagnosis Procedure

INFOID:000000008281361

With CONSULT

WARNING:

- Before servicing, turn ignition switch OFF, disconnect both battery terminals and wait at least 3 minutes. (To discharge backup capacitor.)
- Do not use unspecified tester or other measuring device.

DIAGNOSTIC PROCEDURE

1.CHECK HARNESS CONNECTOR

Check the connection of harness connector.

Is the inspection result normal?

YES >> GO TO 2.

NO >> Repair or replace harness connector.

2.CHECK WIRING HARNESS

Check the wiring harness externals.

Is the inspection result normal?

YES >> GO TO 3.

NO >> Replace wiring harness.

3.CHECK FRONT SEAT BELT PRE-TENSIONER

1. Replace front LH seat belt pre-tensioner.

2. Check the screen of CONSULT.

Is the inspection result normal?

YES >> INSPECTION END.

NO >> Check the intermittent incident. Refer to GI-46, "Intermittent Incident".

A
B
C
D
E
F
G
I
J
K
L
M
N
O
P

SRC

B1089 PRE-TEN FRONT LH

Description

INFOID:000000008281362

DTC B1089 [SHORT] PRE-TEN FRONT LH

For front LH seat belt pre-tensioner, crash is judged by main “G” sensor output signal and sub “G” sensor in front direction.

OPERATION

In the case of a frontal collision that exceeds specified impact level, the diagnosis sensor unit detects the deceleration caused by collision. If restrains the passenger with seat belt easing the stress on passengers chest with load limiter.

STRUCTURE

The restraint system for front seat occupant consists of the pre-tensioner mechanism and load limiter mechanism.

INSTALLATION

Front LH seat belt pre-tensioner is installed on the underside of center pillar with fixed nuts.

DTC Logic

INFOID:000000008281363

DTC DETECTION LOGIC

With CONSULT

DTC No. Index (“SELF-DIAG [CURRENT]”), (“SELF-DIAG [PAST]” or “TROUBLE DIAG RECORD”)

DTC No.	Trouble diagnosis name	DTC detecting condition	Possible cause
B1089	PRE-TEN FRONT LH [SHORT]	Front LH seat belt pre-tensioner circuit are shorted to each other.	<ul style="list-style-type: none"> • Disconnection of wiring harness and short. • Internal breakdown in front LH seat belt pre-tensioner. • Internal breakdown in diagnosis sensor unit (ACU).

DTC CONFIRMATION PROCEDURE (With CONSULT)

1.INSPECTION START

Turn ignition switch ON.

>> GO TO 2.

2.CHECK SELF-DIAG RESULT

Check the screen of CONSULT.

Is malfunctioning part detected?

YES >> Refer to [SRC-83. "Diagnosis Procedure"](#).

NO >> **INSPECTION END.**

DTC CONFIRMATION PROCEDURE (Without CONSULT)

NOTE:

- SRS will not enter diagnosis mode if no malfunction is detected in user mode.

1.INSPECTION START

Turn ignition switch ON.

< DTC/CIRCUIT DIAGNOSIS >

>> GO TO 2.

2.CHECK AIR BAG WARNING LAMP

Check the warning lamp status.

Is malfunctioning part detected?

YES >> Refer to SRC-163, "DTC Index".

NO >> INSPECTION END.

Diagnosis Procedure

INFOID:000000008281364

With CONSULT

WARNING:

- Before servicing, turn ignition switch OFF, disconnect both battery terminals and wait at least 3 minutes. (To discharge backup capacitor.)
- Do not use unspecified tester or other measuring device.

DIAGNOSTIC PROCEDURE

1.CHECK HARNESS CONNECTOR

Check the connection of harness connector.

Is the inspection result normal?

YES >> GO TO 2.

NO >> Repair or replace harness connector.

2.CHECK WIRING HARNESS

Check the wiring harness externals.

Is the inspection result normal?

YES >> GO TO 3.

NO >> Replace wiring harness.

3.CHECK FRONT SEAT BELT PRE-TENSIONER

1. Replace front LH seat belt pre-tensioner.

2. Check the screen of CONSULT.

Is the inspection result normal?

YES >> INSPECTION END.

NO >> Check the intermittent incident. Refer to GI-46, "Intermittent Incident".

A
B
C
D
E
F
G
I
J
K
L
M
N
O
P

SRC

B1091, B1093 DIAGNOSIS SENSOR UNIT

< DTC/CIRCUIT DIAGNOSIS >

[FOR USA AND CANADA]

B1091, B1093 DIAGNOSIS SENSOR UNIT

Description

INFOID:000000008281365

Checks the entire SRS and displays the malfunction either by illuminating or blinking the air bag warning lamp on the combination meter. Malfunctioning part can be detected by on board self-diagnosis system and CONSULT.

OPERATION

It detects a shock that exceeds a specified level and monitors whether the driver and passenger air bags, front side air bag, side curtain air bag and pre-tensioner seat belts operate normally.

STRUCTURE

It contains the "G" sensors for both frontal and side collisions and spare battery function in case of main battery damage in collision.

INSTALLATION

Air bag diagnosis sensor unit is installed under the center console with fixed bolts.

DTC Logic

INFOID:000000008281366

DTC No.	Trouble diagnosis name	DTC detecting condition	Possible cause
B1091 B1093	CONTROL UNIT	Air bag diagnosis sensor unit is malfunctioning or out of the specification	<ul style="list-style-type: none">Malfunction in air bag diagnosis sensor unitConfiguration in air bag diagnosis sensor unit does not match the vehicle specification

DTC CONFIRMATION PROCEDURE

1. CHECK SELF-DIAG RESULT

With CONSULT

- Turn ignition switch ON.
- Perform "AIR BAG" Self Diagnostic Result.

Without CONSULT

- Turn ignition switch ON.
- Check the air bag warning lamp status. Refer to [SRC-18, "Diagnosis Description"](#).

NOTE:

SRS does not enter diagnosis mode if no malfunction is detected in user mode.

Is malfunctioning part detected?

- YES >> Refer to [SRC-84, "Diagnosis Procedure"](#).
NO >> INSPECTION END

Diagnosis Procedure

INFOID:000000008281367

WARNING:

- Before servicing, turn ignition switch OFF, disconnect battery negative terminal and wait at least 3 minutes. (To discharge backup capacitor.)
- Never use unspecified tester or other measuring device.

1. CHECK HARNESS CONNECTOR

Check the harness connector.

Is the inspection result normal?

- YES >> GO TO 2.
NO >> Replace harness connectors.

2. CHECK WIRING HARNESS

Check the wiring harness externals.

Is the inspection result normal?

- YES >> GO TO 3.

B1091, B1093 DIAGNOSIS SENSOR UNIT

< DTC/CIRCUIT DIAGNOSIS >

[FOR USA AND CANADA]

NO >> Replace wiring harness.

3. REPLACE AIR BAG DIAGNOSIS SENSOR UNIT

1. Replace air bag diagnosis sensor unit. Refer to [SR-24, "Removal and Installation"](#).
2. Perform DTC confirmation procedure. Refer to [SRC-84, "DTC Logic"](#).

Is DTC detected?

YES >> GO TO 1.

NO >> INSPECTION END

A

B

C

D

E

F

G

SRC

I

J

K

L

M

N

O

P

B1106, B1107, B1108, B1109, B1110, B1111 DIAGNOSIS SENSOR UNIT

< DTC/CIRCUIT DIAGNOSIS >

[FOR USA AND CANADA]

B1106, B1107, B1108, B1109, B1110, B1111 DIAGNOSIS SENSOR UNIT

Description

INFOID:000000008281368

DTC B1106, B1107, B1108, B1109, B1110, B1111 DIAGNOSIS SENSOR UNIT

Detects the whole SRS electrical system and displays the malfunction either by illuminating or blinking the air bag warning lamp in the combination meter. Malfunctioning part can be detected by on board self-diagnosis system and electro-diagnosis tester CONSULT.

OPERATION

It detects a shock that exceeds specified level and monitors such systems as the driver and passenger air bag, side air bag, curtain air bag, pre-tensioner seat belts and Occupant Classification System (OCS) operate properly.

STRUCTURE

It contains the "G" sensors for both frontal and side collisions and spare battery function in case of main battery damage in collision.

INSTALLATION

SRS diagnosis sensor unit is installed under the center console with fixed bolts.

DTC Logic

INFOID:000000008281369

DTC DETECTION LOGIC

With CONSULT

DTC No. Index ("SELF-DIAG [CURRENT]"), ("SELF-DIAG [PAST]" or "TROUBLE DIAG RECORD")

DTC No.	Trouble diagnosis name	DTC detecting condition	Possible cause
B1106 B1107 B1108 B1109 B1110 B1111	CONTROL UNIT	Diagnosis sensor unit is out of order.	Internal breakdown in diagnosis sensor unit (ACU).

DTC CONFIRMATION PROCEDURE (With CONSULT)

1.INSPECTION START

Turn ignition switch ON.

>> GO TO 2.

2.CHECK SELF-DIAG RESULT

Check the screen of CONSULT.

Is malfunctioning part detected?

- YES >> Refer to [SRC-87, "Diagnosis Procedure"](#).
- NO >> **INSPECTION END.**

DTC CONFIRMATION PROCEDURE (Without CONSULT)

NOTE:

- SRS will not enter diagnosis mode if no malfunction is detected in user mode.

1.INSPECTION START

Turn ignition switch ON.

B1106, B1107, B1108, B1109, B1110, B1111 DIAGNOSIS SENSOR UNIT

< DTC/CIRCUIT DIAGNOSIS >

[FOR USA AND CANADA]

>> GO TO 2.

2.CHECK AIR BAG WARNING LAMP

Check the warning lamp status.

Is malfunctioning part detected?

YES >> Refer to [SRC-163, "DTC Index"](#).

NO >> **INSPECTION END.**

Diagnosis Procedure

INFOID:000000008281370

With CONSULT

WARNING:

- Before servicing, turn ignition switch OFF, disconnect both battery terminals and wait at least 3 minutes. (To discharge backup capacitor.)
- Do not use unspecified tester or other measuring device.

DIAGNOSTIC PROCEDURE

1.CHECK HARNESS CONNECTOR

Check the connection of harness connector.

Is the inspection result normal?

YES >> GO TO 2.

NO >> Repair or replace harness connectors.

2.CHECK WIRING HARNESS

Check the wiring harness externals.

Is the inspection result normal?

YES >> GO TO 3.

NO >> Replace wiring harness.

3.CHECK DIAGNOSIS SENSOR UNIT

1. Replace diagnosis sensor unit (ACU).

2. Check the screen of CONSULT.

Is the inspection result normal?

YES >> **INSPECTION END.**

NO >> Check the intermittent incident. Refer to [GI-46, "Intermittent Incident"](#).

A
B
C
D
E
F
G
H
I
J
K
L
M
N
O
P

SRC

B1113, B1114 SATELLITE SENS RH

< DTC/CIRCUIT DIAGNOSIS >

[FOR USA AND CANADA]

B1113, B1114 SATELLITE SENS RH

Description

INFOID:000000008281371

DTC B1113, B1114 [UNIT FAIL] SATELLITE SENS RH

Main "G" sensor generates signal voltage, when it detects deceleration beyond the specified level by vehicle side collision.

OPERATION

When ACU define the both signal voltage of the "G" sensor and the Safing sensor to be that of collision which exceeds specified level, the driving circuit switches on and feeds the electric ignitor of both the side air bag and curtain air bag.

STRUCTURE

Integrated type of the G sensor element for side collision with output terminals for signal voltage.

INSTALLATION

RH satellite sensor is installed at the underside of center pillar with fixed nuts.

DTC Logic

INFOID:000000008281372

DTC DETECTION LOGIC

With CONSULT

DTC No. Index ("SELF-DIAG [CURRENT]"), ("SELF-DIAG [PAST]" or "TROUBLE DIAG RECORD")

DTC No.	Trouble diagnosis name	DTC detecting condition	Possible cause
B1113 B1114	SATELLITE SENS RH [UNIT FAIL]	RH satellite sensor is out of order.	<ul style="list-style-type: none">• Disconnection of wiring harness.• Internal breakdown in RH satellite sensor.• Internal breakdown in diagnosis sensor unit (ACU).

DTC CONFIRMATION PROCEDURE (With CONSULT)

1.INSPECTION START

Turn ignition switch ON.

>> GO TO 2.

2.CHECK SELF-DIAG RESULT

Check the screen of CONSULT.

Is malfunctioning part detected?

- YES >> Refer to [SRC-89, "Diagnosis Procedure"](#).
NO >> **INSPECTION END.**

DTC CONFIRMATION PROCEDURE (Without CONSULT)

NOTE:

- SRS will not enter diagnosis mode if no malfunction is detected in user mode.

1.INSPECTION START

Turn ignition switch ON.

>> GO TO 2.

B1113, B1114 SATELLITE SENS RH

< DTC/CIRCUIT DIAGNOSIS >

[FOR USA AND CANADA]

2.CHECK AIR BAG WARNING LAMP

Check the warning lamp status.

Is malfunctioning part detected?

- YES >> Refer to [SRC-163, "DTC Index"](#).
NO >> **INSPECTION END.**

Diagnosis Procedure

INFOID:000000008281373

With CONSULT

WARNING:

- Before servicing, turn ignition switch OFF, disconnect both battery terminals and wait at least 3 minutes. (To discharge backup capacitor.)
- Do not use unspecified tester or other measuring device.

DIAGNOSTIC PROCEDURE

1.CHECK HARNESS CONNECTOR

Check the connection of harness connector.

Is the inspection result normal?

- YES >> GO TO 2.
NO >> Repair or replace harness connector.

2.CHECK WIRING HARNESS

Check the wiring harness externals.

Is the inspection result normal?

- YES >> GO TO 3.
NO >> Repair or replace wiring harness.

3.CHECK SATELLITE SENSOR

1. Replace RH satellite sensor.
2. Check the screen of CONSULT.

Is the inspection result normal?

- YES >> **INSPECTION END.**
NO >> Check the intermittent incident. Refer to [GI-46, "Intermittent Incident"](#).

A
B
C
D
E
F
G
I
J
K
L
M
N
O
P

SRC

B1115, B1116 SATELLITE SENS RH

< DTC/CIRCUIT DIAGNOSIS >

[FOR USA AND CANADA]

B1115, B1116 SATELLITE SENS RH

Description

INFOID:000000008281374

DTC B1115, B1116 [COMM FAIL] SATELLITE SENS RH

Main "G" sensor generates signal voltage, when it detects deceleration beyond the specified level by vehicle side collision.

OPERATION

When ACU defines both signal voltage of the "G" sensor and the Safing sensor to be that of collision which exceeds specified level, the driving circuit switches on and feeds the electric ignitor of both the side air bag and curtain air bag.

STRUCTURE

Integrated type of the G sensor element for side collision with output terminals for signal voltage.

INSTALLATION

RH satellite sensor is installed at the underside of center pillar with fixed nuts.

DTC Logic

INFOID:000000008281375

DTC DETECTION LOGIC

With CONSULT

DTC No. Index ("SELF-DIAG [CURRENT]"), ("SELF-DIAG [PAST]" or "TROUBLE DIAG RECORD")

DTC No.	Trouble diagnosis name	DTC detecting condition	Possible cause
B1115 B1116	SATELLITE SENS RH [COMM FAIL] [UNMATCH]	RH satellite sensor is out of order.	<ul style="list-style-type: none">• Disconnection of wiring harness.• Internal breakdown in RH satellite sensor.• Internal breakdown in diagnosis sensor unit (ACU).

DTC CONFIRMATION PROCEDURE (With CONSULT)

1.INSPECTION START

Turn ignition switch ON.

>> GO TO 2.

2.CHECK SELF-DIAG RESULT

Check the screen of CONSULT.

Is malfunctioning part detected?

- YES >> Refer to [SRC-91, "Diagnosis Procedure"](#).
NO >> **INSPECTION END.**

DTC CONFIRMATION PROCEDURE (Without CONSULT)

NOTE:

- SRS will not enter diagnosis mode if no malfunction is detected in user mode.

1.INSPECTION START

Turn ignition switch ON.

>> GO TO 2.

B1115, B1116 SATELLITE SENS RH

< DTC/CIRCUIT DIAGNOSIS >

[FOR USA AND CANADA]

2.CHECK AIR BAG WARNING LAMP

Check the warning lamp status.

Is malfunctioning part detected?

- YES >> Refer to [SRC-163, "DTC Index"](#).
- NO >> **INSPECTION END.**

Diagnosis Procedure

INFOID:000000008281376

With CONSULT

WARNING:

- Before servicing, turn ignition switch OFF, disconnect both battery terminals and wait at least 3 minutes. (To discharge backup capacitor.)
- Do not use unspecified tester or other measuring device.

DIAGNOSTIC PROCEDURE

1.CHECK HARNESS CONNECTOR

Check the connection of harness connector.

Is the inspection result normal?

- YES >> GO TO 2.
- NO >> Repair or replace harness connector.

2.CHECK WIRING HARNESS

Check the wiring harness externals.

Is the inspection result normal?

- YES >> GO TO 3.
- NO >> Repair or replace wiring harness.

3.CHECK SATELLITE SENSOR

1. Replace RH satellite sensor.
2. Check the screen of CONSULT.

Is the inspection result normal?

- YES >> **INSPECTION END.**
- NO >> Check the intermittent incident. Refer to [GI-46, "Intermittent Incident"](#).

A
B
C
D
E
F
G
I
J
K
L
M
N
O
P

SRC

B1118, B1119 SATELLITE SENS LH

< DTC/CIRCUIT DIAGNOSIS >

[FOR USA AND CANADA]

B1118, B1119 SATELLITE SENS LH

Description

INFOID:000000008281377

DTC B1118, B1119 [UNIT FAIL] SATELLITE SENS LH

Main "G" sensor generates signal voltage, when it detects deceleration beyond the specified level by vehicle side collision.

OPERATION

When ACU defines both signal voltage of the "G" sensor and the Safing sensor to be that of collision which exceeds specified level, the driving circuit switches on and feeds the electric ignitor of both the side air bag and curtain air bag.

STRUCTURE

Integrated type of the G sensor element for side collision with output terminals for signal voltage.

INSTALLATION

LH satellite sensor is installed at the underside of center pillar with fixed nuts.

DTC Logic

INFOID:000000008281378

DTC DETECTION LOGIC

With CONSULT

DTC No. Index ("SELF-DIAG [CURRENT]"), ("SELF-DIAG [PAST]" or "TROUBLE DIAG RECORD")

DTC No.	Trouble diagnosis name	DTC detecting condition	Possible cause
B1118 B1119	SATELLITE SENS LH [UNIT FAIL]	LH satellite sensor is out of order.	<ul style="list-style-type: none">• Disconnection of wiring harness.• Internal breakdown in LH satellite sensor.• Internal breakdown in diagnosis sensor unit (ACU).

DTC CONFIRMATION PROCEDURE (With CONSULT)

1.INSPECTION START

Turn ignition switch ON.

>> GO TO 2.

2.CHECK SELF-DIAG RESULT

Check the screen of CONSULT.

Is malfunctioning part detected?

YES >> Refer to [SRC-93, "Diagnosis Procedure"](#).

NO >> **INSPECTION END.**

DTC CONFIRMATION PROCEDURE (Without CONSULT)

NOTE:

- SRS will not enter diagnosis mode if no malfunction is detected in user mode.

1.INSPECTION START

Turn ignition switch ON.

>> GO TO 2.

B1118, B1119 SATELLITE SENS LH

< DTC/CIRCUIT DIAGNOSIS >

[FOR USA AND CANADA]

2.CHECK AIR BAG WARNING LAMP

Check the warning lamp status.

Is malfunctioning part detected?

- YES >> Refer to [SRC-163, "DTC Index"](#).
- NO >> **INSPECTION END.**

Diagnosis Procedure

INFOID:000000008281379

With CONSULT

WARNING:

- Before servicing, turn ignition switch OFF, disconnect both battery terminals and wait at least 3 minutes. (To discharge backup capacitor.)
- Do not use unspecified tester or other measuring device.

DIAGNOSTIC PROCEDURE

1.CHECK HARNESS CONNECTOR

Check the connection of harness connector.

Is the inspection result normal?

- YES >> GO TO 2.
- NO >> Repair or replace harness connector.

2.CHECK WIRING HARNESS

Check the wiring harness externals.

Is the inspection result normal?

- YES >> GO TO 3.
- NO >> Repair or replace wiring harness.

3.CHECK SATELLITE SENSOR

1. Replace LH satellite sensor.
2. Check the screen of CONSULT.

Is the inspection result normal?

- YES >> **INSPECTION END.**
- NO >> Check the intermittent incident. Refer to [GI-46, "Intermittent Incident"](#).

A
B
C
D
E
F
G
I
J
K
L
M
N
O
P

SRC

B1120, B1121 SATELLITE SENS LH

< DTC/CIRCUIT DIAGNOSIS >

[FOR USA AND CANADA]

B1120, B1121 SATELLITE SENS LH

Description

INFOID:000000008281380

DTC B1120, B1121 [COMM FAIL] SATELLITE SENS LH

Main "G" sensor generates signal voltage, when it detects deceleration beyond the specified level by vehicle side collision.

OPERATION

When ACU defines both signal voltage of the "G" sensor and the Safing sensor to be that of collision which exceeds specified level, the driving circuit switches on and feeds the electric ignitor of both the side air bag and curtain air bag.

STRUCTURE

Integrated type of the G sensor element for side collision with output terminals for signal voltage.

INSTALLATION

LH satellite sensor is installed at the underside of center pillar with fixed nuts.

DTC Logic

INFOID:000000008281381

DTC DETECTION LOGIC

With CONSULT

DTC No. Index ("SELF-DIAG [CURRENT]"), ("SELF-DIAG [PAST]" or "TROUBLE DIAG RECORD")

DTC No.	Trouble diagnosis name	DTC detecting condition	Possible cause
B1120 B1121	SATELLITE SENS LH [COMM FAIL] [UNMATCH]	LH satellite sens is out of order.	<ul style="list-style-type: none">• Disconnection of wiring harness.• Internal breakdown in LH satellite sens.• Internal breakdown in diagnosis sensor unit (ACU).

DTC CONFIRMATION PROCEDURE (With CONSULT)

1.INSPECTION START

Turn ignition switch ON.

>> GO TO 2.

2.CHECK SELF-DIAG RESULT

Check the screen of CONSULT.

Is malfunctioning part detected?

- YES >> Refer to [SRC-95, "Diagnosis Procedure"](#).
NO >> **INSPECTION END.**

DTC CONFIRMATION PROCEDURE (Without CONSULT)

NOTE:

- SRS will not enter diagnosis mode if no malfunction is detected in user mode.

1.INSPECTION START

Turn ignition switch ON.

>> GO TO 2.

B1120, B1121 SATELLITE SENS LH

< DTC/CIRCUIT DIAGNOSIS >

[FOR USA AND CANADA]

2.CHECK AIR BAG WARNING LAMP

Check the warning lamp status.

Is malfunctioning part detected?

- YES >> Refer to [SRC-163, "DTC Index"](#).
- NO >> **INSPECTION END.**

Diagnosis Procedure

INFOID:000000008281382

With CONSULT

WARNING:

- Before servicing, turn ignition switch OFF, disconnect both battery terminals and wait at least 3 minutes. (To discharge backup capacitor.)
- Do not use unspecified tester or other measuring device.

DIAGNOSTIC PROCEDURE

1.CHECK HARNESS CONNECTOR

Check the connection of harness connector.

Is the inspection result normal?

- YES >> GO TO 2.
- NO >> Repair or replace harness connector.

2.CHECK WIRING HARNESS

Check the wiring harness externals.

Is the inspection result normal?

- YES >> GO TO 3.
- NO >> Repair or replace wiring harness.

3.CHECK SATELLITE SENSOR

1. Replace LH satellite sensor.
2. Check the screen of CONSULT.

Is the inspection result normal?

- YES >> **INSPECTION END.**
- NO >> Check the intermittent incident. Refer to [GI-46, "Intermittent Incident"](#).

A
B
C
D
E
F
G
I
J
K
L
M
N
O
P

SRC

B1122, B1123, B1124, B1125, B1126, B1127 DIAGNOSIS SENSOR UNIT

< DTC/CIRCUIT DIAGNOSIS >

[FOR USA AND CANADA]

B1122, B1123, B1124, B1125, B1126, B1127 DIAGNOSIS SENSOR UNIT

Description

INFOID:000000008281383

DTC B1122, B1123, B1124, B1125, B1126, B1127 DIAGNOSIS SENSOR UNIT

Detects the whole SRS electrical system and displays the malfunction either by illuminating or blinking the air bag warning lamp in the combination meter. Malfunctioning part can be detected by on board self-diagnosis system and electro-diagnosis tester CONSULT.

OPERATION

It detects a shock that exceeds specified level and monitors such systems as the driver and passenger air bag, side air bag, curtain air bag, pre-tensioner seat belts and Occupant Classification System (OCS) operate properly.

STRUCTURE

It contains the "G" sensors for both frontal and side collisions and spare battery function in case of main battery damage in collision.

INSTALLATION

SRS diagnosis sensor unit is installed under the center console with fixed bolts.

DTC Logic

INFOID:000000008281384

DTC DETECTION LOGIC

With CONSULT

DTC No. Index ("SELF-DIAG [CURRENT]"), ("SELF-DIAG [PAST]" or "TROUBLE DIAG RECORD")

DTC No.	Trouble diagnosis name	DTC detecting condition	Possible cause
B1122 B1123 B1124 B1125 B1126 B1127	CONTROL UNIT	Diagnosis sensor unit is out of order.	Internal breakdown in diagnosis sensor unit (ACU).

DTC CONFIRMATION PROCEDURE (With CONSULT)

1.INSPECTION START

Turn ignition switch ON.

>> GO TO 2.

2.CHECK SELF-DIAG RESULT

Check the screen of CONSULT.

Is malfunctioning part detected?

- YES >> Refer to [SRC-97, "Diagnosis Procedure"](#).
- NO >> **INSPECTION END.**

DTC CONFIRMATION PROCEDURE (Without CONSULT)

NOTE:

- SRS will not enter diagnosis mode if no malfunction is detected in user mode.

1.INSPECTION START

Turn ignition switch ON.

B1122, B1123, B1124, B1125, B1126, B1127 DIAGNOSIS SENSOR UNIT

< DTC/CIRCUIT DIAGNOSIS >

[FOR USA AND CANADA]

>> GO TO 2.

2.CHECK AIR BAG WARNING LAMP

Check the warning lamp status.

Is malfunctioning part detected?

YES >> Refer to [SRC-163, "DTC Index"](#).

NO >> **INSPECTION END.**

Diagnosis Procedure

INFOID:000000008281385

With CONSULT

WARNING:

- Before servicing, turn ignition switch OFF, disconnect both battery terminals and wait at least 3 minutes. (To discharge backup capacitor.)
- Do not use unspecified tester or other measuring device.

DIAGNOSTIC PROCEDURE

1.CHECK HARNESS CONNECTOR

Check the connection of harness connector.

Is the inspection result normal?

YES >> GO TO 2.

NO >> Repair or replace harness connectors.

2.CHECK WIRING HARNESS

Check the wiring harness externals.

Is the inspection result normal?

YES >> GO TO 3.

NO >> Repair or replace wiring harness.

3.CHECK DIAGNOSIS SENSOR UNIT

1. Replace diagnosis sensor unit (ACU).

2. Check the screen of CONSULT.

Is the inspection result normal?

YES >> **INSPECTION END.**

NO >> Check the intermittent incident. Refer to [GI-46, "Intermittent Incident"](#).

A
B
C
D
E
F
G
H
I
J
K
L
M
N
O
P

SRC

B1129 SIDE MODULE RH**Description**

INFOID:000000008281386

DTC B1129 [OPEN] SIDE MODULE RH

For front RH side air bag module, crash is judged by main "G" sensor output signal (left side: left satellite sensor, right side: right satellite sensor) and sub "G" sensor (right and left GP in center unit).

OPERATION

In case of collision whose acceleration exceeds the specified level, the ignition materials are ignited by electric ignition system. The system burns and introduces the chemical reaction of gas generating materials to generate hot gases that flow into the air bag through a filter and expand the bag.

STRUCTURE

Front RH side air bag module mainly consists of air bag and inflator which inflates air bag.

INSTALLATION

Front RH side air bag module is installed on the side of front seat back with fixed nuts.

DTC Logic

INFOID:000000008281387

DTC DETECTION LOGIC

With CONSULT

DTC No. Index ("SELF-DIAG [CURRENT]"), ("SELF-DIAG [PAST]" or "TROUBLE DIAG RECORD")

DTC No.	Trouble diagnosis name	DTC detecting condition	Possible cause
B1129	SIDE MODULE RH [OPEN]	Front RH side air bag module circuit is open.	<ul style="list-style-type: none"> • Disconnection of wiring harness and open. • Internal breakdown in front RH side air bag module. • Internal breakdown in diagnosis sensor unit (ACU).

DTC CONFIRMATION PROCEDURE (With CONSULT)**1.INSPECTION START**

Turn ignition switch ON.

>> GO TO 2.

2.CHECK SELF-DIAG RESULT

Check the screen of CONSULT.

Is malfunctioning part detected?

YES >> Refer to [SRC-99, "Diagnosis Procedure"](#).

NO >> **INSPECTION END.**

DTC CONFIRMATION PROCEDURE (Without CONSULT)**NOTE:**

- SRS will not enter diagnosis mode if no malfunction is detected in user mode.

1.INSPECTION START

Turn ignition switch ON.

>> GO TO 2.

< DTC/CIRCUIT DIAGNOSIS >

2.CHECK AIR BAG WARNING LAMP

Check the warning lamp status.

Is malfunctioning part detected?

- YES >> Refer to [SRC-163, "DTC Index"](#).
- NO >> **INSPECTION END.**

Diagnosis Procedure

INFOID:000000008281388

With CONSULT

WARNING:

- Before servicing, turn ignition switch OFF, disconnect both battery terminals and wait at least 3 minutes. (To discharge backup capacitor.)
- Do not use unspecified tester or other measuring device.

DIAGNOSTIC PROCEDURE

1.CHECK HARNESS CONNECTOR

Check the connection of harness connector.

Is the inspection result normal?

- YES >> GO TO 2.
- NO >> Repair or replace harness connector.

2.CHECK WIRING HARNESS

Check the wiring harness externals.

Is the inspection result normal?

- YES >> GO TO 3.
- NO >> Repair or replace wiring harness.

3.CHECK FRONT SIDE AIR BAG MODULE

1. Replace front RH side air bag module.
2. Check the screen of CONSULT.

Is the inspection result normal?

- YES >> **INSPECTION END.**
- NO >> Check the intermittent incident. Refer to [GI-46, "Intermittent Incident"](#).

A
B
C
D
E
F
G
I
J
K
L
M
N
O
P

SRC

B1130 SIDE MODULE RH

Description

INFOID:000000008281389

DTC B1130 [VB-SHORT] SIDE MODULE RH

For front RH side air bag module, crash is judged by main “G” sensor output signal (left side: left satellite sensor, right side: right satellite sensor) and sub “G” sensor (right and left GP in center unit).

OPERATION

In case of collision whose acceleration exceeds the specified level, the ignition materials are ignited by electric ignition system. The system burns and introduces the chemical reaction of gas generating materials to generate hot gases that flow into the air bag through a filter and expand the bag.

STRUCTURE

Front RH side air bag module mainly consists of air bag and inflator which inflates air bag.

INSTALLATION

Front RH side air bag module is installed on the side of front seatback with fixed nuts.

DTC Logic

INFOID:000000008281390

DTC DETECTION LOGIC

With CONSULT

DTC No. Index (“SELF-DIAG [CURRENT]”), (“SELF-DIAG [PAST]” or “TROUBLE DIAG RECORD”)

DTC No.	Trouble diagnosis name	DTC detecting condition	Possible cause
B1130	SIDE MODULE RH [VB-SHORT]	Front RH side air bag module circuit is shorted to some power supply circuit.	<ul style="list-style-type: none"> • Disconnection of wiring harness and short. • Internal breakdown in front RH side air bag module. • Internal breakdown in diagnosis sensor unit (ACU).

DTC CONFIRMATION PROCEDURE (With CONSULT)

1.INSPECTION START

Turn ignition switch ON.

>> GO TO 2.

2.CHECK SELF-DIAG RESULT

Check the screen of CONSULT.

Is malfunctioning part detected?

YES >> Refer to [SRC-101, "Diagnosis Procedure"](#).

NO >> **INSPECTION END.**

DTC CONFIRMATION PROCEDURE (Without CONSULT)

NOTE:

- SRS will not enter diagnosis mode if no malfunction is detected in user mode.

1.INSPECTION START

Turn ignition switch ON.

>> GO TO 2.

< DTC/CIRCUIT DIAGNOSIS >

2.CHECK AIR BAG WARNING LAMP

Check the warning lamp status.

Is malfunctioning part detected?

- YES >> Refer to [SRC-163, "DTC Index"](#).
- NO >> **INSPECTION END.**

Diagnosis Procedure

INFOID:000000008281391

With CONSULT

WARNING:

- Before servicing, turn ignition switch OFF, disconnect both battery terminals and wait at least 3 minutes. (To discharge backup capacitor.)
- Do not use unspecified tester or other measuring device.

DIAGNOSTIC PROCEDURE

1.CHECK HARNESS CONNECTOR

Check the connection of harness connector.

Is the inspection result normal?

- YES >> GO TO 2.
- NO >> Repair or replace harness connector.

2.CHECK WIRING HARNESS

Check the wiring harness externals.

Is the inspection result normal?

- YES >> GO TO 3.
- NO >> Repair or replace wiring harness.

3.CHECK FRONT SIDE AIR BAG MODULE

1. Replace front RH side air bag module.
2. Check the screen of CONSULT.

Is the inspection result normal?

- YES >> **INSPECTION END.**
- NO >> Check the intermittent incident. Refer to [GI-46, "Intermittent Incident"](#).

A
B
C
D
E
F
G
I
J
K
L
M
N
O
P

SRC

B1131 SIDE MODULE RH

Description

INFOID:000000008281392

DTC B1131 [GND-SHORT] SIDE MODULE RH

For front RH side air bag module, crash is judged by main “G” sensor output signal (left side: left satellite sensor, right side: right satellite sensor) and sub “G” sensor (right and left GP in center unit).

OPERATION

In case of collision whose acceleration exceeds the specified level, the ignition materials are ignited by electric ignition system. The system burns and introduces the chemical reaction of gas generating materials to generate hot gases that flow into the air bag through a filter and expand the bag.

STRUCTURE

Front RH side air bag module mainly consists of air bag and inflator which inflates air bag.

INSTALLATION

Front RH side air bag module is installed on the side of front seatback with fixed nuts.

DTC Logic

INFOID:000000008281393

DTC DETECTION LOGIC

With CONSULT

DTC No. Index (“SELF-DIAG [CURRENT]”), (“SELF-DIAG [PAST]” or “TROUBLE DIAG RECORD”)

DTC No.	Trouble diagnosis name	DTC detecting condition	Possible cause
B1131	SIDE MODULE RH [GND-SHORT]	Front RH side air bag module circuit is shorted to ground.	<ul style="list-style-type: none"> • Disconnection of wiring harness and short. • Internal breakdown in front RH side air bag module. • Internal breakdown in diagnosis sensor unit (ACU).

DTC CONFIRMATION PROCEDURE (With CONSULT)

1.INSPECTION START

Turn ignition switch ON.

>> GO TO 2.

2.CHECK SELF-DIAG RESULT

Check the screen of CONSULT.

Is malfunctioning part detected?

YES >> Refer to [SRC-103. "Diagnosis Procedure"](#).

NO >> **INSPECTION END.**

DTC CONFIRMATION PROCEDURE (Without CONSULT)

NOTE:

- SRS will not enter diagnosis mode if no malfunction is detected in user mode.

1.INSPECTION START

Turn ignition switch ON.

>> GO TO 2.

< DTC/CIRCUIT DIAGNOSIS >

2.CHECK AIR BAG WARNING LAMP

Check the warning lamp status.

Is malfunctioning part detected?

- YES >> Refer to [SRC-163, "DTC Index"](#).
- NO >> **INSPECTION END.**

Diagnosis Procedure

INFOID:000000008281394

With CONSULT

WARNING:

- Before servicing, turn ignition switch OFF, disconnect both battery terminals and wait at least 3 minutes. (To discharge backup capacitor.)
- Do not use unspecified tester or other measuring device.

DIAGNOSTIC PROCEDURE

1.CHECK HARNESS CONNECTOR

Check the connection of harness connector.

Is the inspection result normal?

- YES >> GO TO 2.
- NO >> Repair or replace harness connector.

2.CHECK WIRING HARNESS

Check the wiring harness externals.

Is the inspection result normal?

- YES >> GO TO 3.
- NO >> Repair or replace wiring harness.

3.CHECK FRONT SIDE AIR BAG MODULE

1. Replace front RH side air bag module.
2. Check the screen of CONSULT.

Is the inspection result normal?

- YES >> **INSPECTION END.**
- NO >> Check the intermittent incident. Refer to [GI-46, "Intermittent Incident"](#).

A
B
C
D
E
F
G
I
J
K
L
M
N
O
P

SRC

B1132 SIDE MODULE RH

Description

INFOID:000000008281395

DTC B1132 [SHORT] SIDE MODULE RH

For front RH side air bag module, crash is judged by main “G” sensor output signal (left side: left satellite sensor, right side: right satellite sensor) and sub “G” sensor (right and left GP in center unit).

OPERATION

In case of collision whose acceleration exceeds the specified level, the ignition materials are ignited by electric ignition system. The system burns and introduces the chemical reaction of gas generating materials to generate hot gases that flow into the air bag through a filter and expand the bag.

STRUCTURE

Front RH side air bag module mainly consists of air bag and inflator which inflates air bag.

INSTALLATION

Front RH side air bag module is installed on the side of front seatback with fixed nuts.

DTC Logic

INFOID:000000008281396

DTC DETECTION LOGIC

With CONSULT

DTC No. Index (“SELF-DIAG [CURRENT]”), (“SELF-DIAG [PAST]” or “TROUBLE DIAG RECORD”)

DTC No.	Trouble diagnosis name	DTC detecting condition	Possible cause
B1132	SIDE MODULE RH [SHORT]	Front RH side air bag module circuit are shorted to each other.	<ul style="list-style-type: none"> • Disconnection of wiring harness and short. • Internal breakdown in front RH side air bag module. • Internal breakdown in diagnosis sensor unit (ACU).

DTC CONFIRMATION PROCEDURE (With CONSULT)

1.INSPECTION START

Turn ignition switch ON.

>> GO TO 2.

2.CHECK SELF-DIAG RESULT

Check the screen of CONSULT.

Is malfunctioning part detected?

YES >> Refer to [SRC-105, "Diagnosis Procedure"](#).

NO >> **INSPECTION END.**

DTC CONFIRMATION PROCEDURE (Without CONSULT)

NOTE:

- SRS will not enter diagnosis mode if no malfunction is detected in user mode.

1.INSPECTION START

Turn ignition switch ON.

>> GO TO 2.

< DTC/CIRCUIT DIAGNOSIS >

2.CHECK AIR BAG WARNING LAMP

Check the warning lamp status.

Is malfunctioning part detected?

- YES >> Refer to [SRC-163, "DTC Index"](#).
- NO >> **INSPECTION END.**

Diagnosis Procedure

INFOID:000000008281397

With CONSULT

WARNING:

- Before servicing, turn ignition switch OFF, disconnect both battery terminals and wait at least 3 minutes. (To discharge backup capacitor.)
- Do not use unspecified tester or other measuring device.

DIAGNOSTIC PROCEDURE

1.CHECK HARNESS CONNECTOR

Check the connection of harness connector.

Is the inspection result normal?

- YES >> GO TO 2.
- NO >> Repair or replace harness connector.

2.CHECK WIRING HARNESS

Check the wiring harness externals.

Is the inspection result normal?

- YES >> GO TO 3.
- NO >> Repair or replace wiring harness.

3.CHECK FRONT SIDE AIR BAG MODULE

1. Replace front RH side air bag module.
2. Check the screen of CONSULT.

Is the inspection result normal?

- YES >> **INSPECTION END.**
- NO >> Check the intermittent incident. Refer to [GI-46, "Intermittent Incident"](#).

A
B
C
D
E
F
G
I
J
K
L
M
N
O
P

SRC

B1134 SIDE MODULE LH

Description

INFOID:000000008281398

DTC B1134 [OPEN] SIDE MODULE LH

For front LH side air bag module, crash is judged by main “G” sensor output signal (left side: left satellite sensor, right side: right satellite sensor) and sub “G” sensor (right and left GP in center unit).

OPERATION

In case of collision whose acceleration exceeds the specified level, the ignition materials are ignited by electric ignition system. The system burns and introduces the chemical reaction of gas generating materials to generate hot gases that flow into the air bag through a filter and expand the bag.

STRUCTURE

Front LH side air bag module mainly consists of air bag and inflator which inflates air bag.

INSTALLATION

Front LH side air bag module is installed on the side of front seatback with fixed nuts.

DTC Logic

INFOID:000000008281399

DTC DETECTION LOGIC

With CONSULT

DTC No. Index (“SELF-DIAG [CURRENT]”), (“SELF-DIAG [PAST]” or “TROUBLE DIAG RECORD”)

DTC No.	Trouble diagnosis name	DTC detecting condition	Possible cause
B1134	SIDE MODULE LH [OPEN]	Front LH side air bag module circuit is open.	<ul style="list-style-type: none"> • Disconnection of wiring harness and open. • Internal breakdown in front LH side air bag module. • Internal breakdown in diagnosis sensor unit (ACU).

DTC CONFIRMATION PROCEDURE (With CONSULT)

1.INSPECTION START

Turn ignition switch ON.

>> GO TO 2.

2.CHECK SELF-DIAG RESULT

Check the screen of CONSULT.

Is malfunctioning part detected?

YES >> Refer to [SRC-107, "Diagnosis Procedure"](#).

NO >> **INSPECTION END.**

DTC CONFIRMATION PROCEDURE (Without CONSULT)

NOTE:

- SRS will not enter diagnosis mode if no malfunction is detected in user mode.

1.INSPECTION START

Turn ignition switch ON.

>> GO TO 2.

< DTC/CIRCUIT DIAGNOSIS >

2.CHECK AIR BAG WARNING LAMP

Check the warning lamp status.

Is malfunctioning part detected?

- YES >> Refer to [SRC-163, "DTC Index"](#).
- NO >> **INSPECTION END.**

Diagnosis Procedure

INFOID:000000008281400

With CONSULT

WARNING:

- Before servicing, turn ignition switch OFF, disconnect both battery terminals and wait at least 3 minutes. (To discharge backup capacitor.)
- Do not use unspecified tester or other measuring device.

DIAGNOSTIC PROCEDURE

1.CHECK HARNESS CONNECTOR

Check the connection of harness connector.

Is the inspection result normal?

- YES >> GO TO 2.
- NO >> Repair or replace harness connector.

2.CHECK WIRING HARNESS

Check the wiring harness externals.

Is the inspection result normal?

- YES >> GO TO 3.
- NO >> Replace wiring harness.

3.CHECK FRONT SIDE AIR BAG MODULE

1. Replace front LH side air bag module.
2. Check the screen of CONSULT.

Is the inspection result normal?

- YES >> **INSPECTION END.**
- NO >> Check the intermittent incident. Refer to [GI-46, "Intermittent Incident"](#).

A
B
C
D
E
F
G
I
J
K
L
M
N
O
P

SRC

B1135 SIDE MODULE LH**Description**

INFOID:000000008281401

DTC B1135 [VB-SHORT] SIDE MODULE LH

For front LH side air bag module, crash is judged by main "G" sensor output signal (left side: left satellite sensor, right side: right satellite sensor) and sub "G" sensor (right and left GP in center unit).

OPERATION

In case of collision whose acceleration exceeds the specified level, the ignition materials are ignited by electric ignition system. The system burns and introduces the chemical reaction of gas generating materials to generate hot gases that flow into the air bag through a filter and expand the bag.

STRUCTURE

Front LH side air bag module mainly consists of air bag and inflator which inflates air bag.

INSTALLATION

Front LH side air bag module is installed on the side of front seatback with fixed nuts.

DTC Logic

INFOID:000000008281402

DTC DETECTION LOGIC

With CONSULT

DTC No. Index ("SELF-DIAG [CURRENT]"), ("SELF-DIAG [PAST]" or "TROUBLE DIAG RECORD")

DTC No.	Trouble diagnosis name	DTC detecting condition	Possible cause
B1135	SIDE MODULE LH [VB-SHORT]	Front LH side air bag module circuit is shorted to some power supply circuit.	<ul style="list-style-type: none"> • Disconnection of wiring harness and short. • Internal breakdown in front LH side air bag module. • Internal breakdown in diagnosis sensor unit (ACU).

DTC CONFIRMATION PROCEDURE (With CONSULT)**1.INSPECTION START**

Turn ignition switch ON.

>> GO TO 2.

2.CHECK SELF-DIAG RESULT

Check the screen of CONSULT.

Is malfunctioning part detected?

YES >> Refer to [SRC-109. "Diagnosis Procedure"](#).

NO >> **INSPECTION END.**

DTC CONFIRMATION PROCEDURE (Without CONSULT)**NOTE:**

- SRS will not enter diagnosis mode if no malfunction is detected in user mode.

1.INSPECTION START

Turn ignition switch ON.

>> GO TO 2.

< DTC/CIRCUIT DIAGNOSIS >

2.CHECK AIR BAG WARNING LAMP

Check the warning lamp status.

Is malfunctioning part detected?

- YES >> Refer to [SRC-163, "DTC Index"](#).
- NO >> **INSPECTION END.**

Diagnosis Procedure

INFOID:000000008281403

With CONSULT

WARNING:

- Before servicing, turn ignition switch OFF, disconnect both battery terminals and wait at least 3 minutes. (To discharge backup capacitor.)
- Do not use unspecified tester or other measuring device.

DIAGNOSTIC PROCEDURE

1.CHECK HARNESS CONNECTOR

Check the connection of harness connector.

Is the inspection result normal?

- YES >> GO TO 2.
- NO >> Repair or replace harness connector.

2.CHECK WIRING HARNESS

Check the wiring harness externals.

Is the inspection result normal?

- YES >> GO TO 3.
- NO >> Repair or replace wiring harness.

3.CHECK FRONT SIDE AIR BAG MODULE

1. Replace front LH side air bag module.
2. Check the screen of CONSULT.

Is the inspection result normal?

- YES >> **INSPECTION END.**
- NO >> Check the intermittent incident. Refer to [GI-46, "Intermittent Incident"](#).

A
B
C
D
E
F
G
I
J
K
L
M
N
O
P

SRC

B1136 SIDE MODULE LH

Description

INFOID:000000008281404

DTC B1136 [GND-SHORT] SIDE MODULE LH

For front LH side air bag module, crash is judged by main “G” sensor output signal (left side: left satellite sensor, right side: right satellite sensor) and sub “G” sensor (right and left GP in center unit).

OPERATION

In case of collision whose acceleration exceeds the specified level, the ignition materials are ignited by electric ignition system. The system burns and introduces the chemical reaction of gas generating materials to generate hot gases that flow into the air bag through a filter and expand the bag.

STRUCTURE

Front LH side air bag module mainly consists of air bag and inflator which inflates air bag.

INSTALLATION

Front LH side air bag module is installed on the side of front seatback with fixed nuts.

DTC Logic

INFOID:000000008281405

DTC DETECTION LOGIC

With CONSULT

DTC No. Index (“SELF-DIAG [CURRENT]”), (“SELF-DIAG [PAST]” or “TROUBLE DIAG RECORD”)

DTC No.	Trouble diagnosis name	DTC detecting condition	Possible cause
B1136	SIDE MODULE LH [GND-SHORT]	Front LH side air bag module circuit is shorted to ground.	<ul style="list-style-type: none"> • Disconnection of wiring harness and short. • Internal breakdown in front LH side air bag module. • Internal breakdown in diagnosis sensor unit (ACU).

DTC CONFIRMATION PROCEDURE (With CONSULT)

1.INSPECTION START

Turn ignition switch ON.

>> GO TO 2.

2.CHECK SELF-DIAG RESULT

Check the screen of CONSULT.

Is malfunctioning part detected?

YES >> Refer to [SRC-111. "Diagnosis Procedure"](#).

NO >> **INSPECTION END.**

DTC CONFIRMATION PROCEDURE (Without CONSULT)

NOTE:

- SRS will not enter diagnosis mode if no malfunction is detected in user mode.

1.INSPECTION START

Turn ignition switch ON.

>> GO TO 2.

< DTC/CIRCUIT DIAGNOSIS >

2.CHECK AIR BAG WARNING LAMP

Check the warning lamp status.

Is malfunctioning part detected?

- YES >> Refer to [SRC-163, "DTC Index"](#).
- NO >> **INSPECTION END.**

Diagnosis Procedure

INFOID:000000008281406

With CONSULT

WARNING:

- Before servicing, turn ignition switch OFF, disconnect both battery terminals and wait at least 3 minutes. (To discharge backup capacitor.)
- Do not use unspecified tester or other measuring device.

DIAGNOSTIC PROCEDURE

1.CHECK HARNESS CONNECTOR

Check the connection of harness connector.

Is the inspection result normal?

- YES >> GO TO 2.
- NO >> Repair or replace harness connector.

2.CHECK WIRING HARNESS

Check the wiring harness externals.

Is the inspection result normal?

- YES >> GO TO 3.
- NO >> Repair or replace wiring harness.

3.CHECK FRONT SIDE AIR BAG MODULE

1. Replace front LH side air bag module.
2. Check the screen of CONSULT.

Is the inspection result normal?

- YES >> **INSPECTION END.**
- NO >> Check the intermittent incident. Refer to [GI-46, "Intermittent Incident"](#).

A
B
C
D
E
F
G
I
J
K
L
M
N
O
P

SRC

B1137 SIDE MODULE LH

Description

INFOID:000000008281407

DTC B1137 [SHORT] SIDE MODULE LH

For front LH side air bag module, crash is judged by main “G” sensor output signal (left side: left satellite sensor, right side: right satellite sensor) and sub “G” sensor (right and left GP in center unit).

OPERATION

In case of collision whose acceleration exceeds the specified level, the ignition materials are ignited by electric ignition system. The system burns and introduces the chemical reaction of gas generating materials to generate hot gases that flow into the air bag through a filter and expand the bag.

STRUCTURE

Front LH side air bag module mainly consists of air bag and inflator which inflates air bag.

INSTALLATION

Front LH side air bag module is installed on the side of front seatback with fixed nuts.

DTC Logic

INFOID:000000008281408

DTC DETECTION LOGIC

With CONSULT

DTC No. Index (“SELF-DIAG [CURRENT]”), (“SELF-DIAG [PAST]” or “TROUBLE DIAG RECORD”)

DTC No.	Trouble diagnosis name	DTC detecting condition	Possible cause
B1137	SIDE MODULE LH [SHORT]	Front LH side air bag module circuit are shorted to each other.	<ul style="list-style-type: none"> • Disconnection of wiring harness and short. • Internal breakdown in front LH side air bag module. • Internal breakdown in diagnosis sensor unit (ACU).

DTC CONFIRMATION PROCEDURE (With CONSULT)

1.INSPECTION START

Turn ignition switch ON.

>> GO TO 2.

2.CHECK SELF-DIAG RESULT

Check the screen of CONSULT.

Is malfunctioning part detected?

YES >> Refer to [SRC-113. "Diagnosis Procedure"](#).

NO >> **INSPECTION END.**

DTC CONFIRMATION PROCEDURE (Without CONSULT)

NOTE:

- SRS will not enter diagnosis mode if no malfunction is detected in user mode.

1.INSPECTION START

Turn ignition switch ON.

>> GO TO 2.

< DTC/CIRCUIT DIAGNOSIS >

2.CHECK AIR BAG WARNING LAMP

Check the warning lamp status.

Is malfunctioning part detected?

- YES >> Refer to [SRC-163, "DTC Index"](#).
- NO >> **INSPECTION END.**

Diagnosis Procedure

INFOID:000000008281409

With CONSULT

WARNING:

- Before servicing, turn ignition switch OFF, disconnect both battery terminal and wait at least 3 minutes. (To discharge backup capacitor.)
- Do not use un specified tester or other measuring device.

DIAGNOSTIC PROCEDURE

1.CHECK HARNESS CONNECTOR

Check the connection of harness connector.

Is the inspection result normal?

- YES >> GO TO 2.
- NO >> Repair or replace harness connector.

2.CHECK WIRING HARNESS

Check the wiring harness externals.

Is the inspection result normal?

- YES >> GO TO 3.
- NO >> Repair or replace wiring harness.

3.CHECK FRONT SIDE AIR BAG MODULE

1. Replace front LH side air bag module.
2. Check the screen of CONSULT.

Is the inspection result normal?

- YES >> **INSPECTION END.**
- NO >> Check the intermittent incident. Refer to [GI-46, "Intermittent Incident"](#).

A
B
C
D
E
F
G
I
J
K
L
M
N
O
P

SRC

B1138, B1139, B1140, B1141, B1142, B1143 DIAGNOSIS SENSOR UNIT

< DTC/CIRCUIT DIAGNOSIS >

[FOR USA AND CANADA]

B1138, B1139, B1140, B1141, B1142, B1143 DIAGNOSIS SENSOR UNIT

Description

INFOID:000000008281410

DTC B1138, B1139, B1140, B1141, B1142, B1143 DIAGNOSIS SENSOR UNIT

Detects the whole SRS electrical system and displays the malfunction either by illuminating or blinking the air bag warning lamp in the combination meter. Malfunctioning part can be detected by on board self-diagnosis system and electro-diagnosis tester CONSULT.

OPERATION

It detects a shock that exceeds specified level and monitors such systems as the driver and passenger air bag, side air bag, curtain air bag, pre-tensioner seat belts and Occupant Classification System (OCS) operate properly.

STRUCTURE

It contains the "G" sensors for both frontal and side collisions and spare battery function in case of main battery damage in collision.

INSTALLATION

SRS diagnosis sensor unit is installed under the center console with fixed bolts.

DTC Logic

INFOID:000000008281411

DTC DETECTION LOGIC

With CONSULT

DTC No. Index ("SELF-DIAG [CURRENT]"), ("SELF-DIAG [PAST]" or "TROUBLE DIAG RECORD")

DTC No.	Trouble diagnosis name	DTC detecting condition	Possible cause
B1138 B1139 B1140 B1141 B1142 B1143	CONTROL UNIT	Diagnosis sensor unit is out of order.	Internal breakdown in diagnosis sensor unit (ACU).

DTC CONFIRMATION PROCEDURE (With CONSULT)

1.INSPECTION START

Turn ignition switch ON.

>> GO TO 2.

2.CHECK SELF-DIAG RESULT

Check the screen of CONSULT.

Is malfunctioning part detected?

YES >> Refer to [SRC-115, "Diagnosis Procedure"](#).

NO >> **INSPECTION END.**

DTC CONFIRMATION PROCEDURE (Without CONSULT)

NOTE:

- SRS will not enter diagnosis mode if no malfunction is detected in user mode.

1.INSPECTION START

Turn ignition switch ON.

B1138, B1139, B1140, B1141, B1142, B1143 DIAGNOSIS SENSOR UNIT

< DTC/CIRCUIT DIAGNOSIS >

[FOR USA AND CANADA]

>> GO TO 2.

2.CHECK AIR BAG WARNING LAMP

Check the warning lamp status.

Is malfunctioning part detected?

YES >> Refer to [SRC-163, "DTC Index"](#).

NO >> **INSPECTION END.**

Diagnosis Procedure

INFOID:000000008281412

With CONSULT

WARNING:

- Before servicing, turn ignition switch OFF, disconnect both battery terminals and wait at least 3 minutes. (To discharge backup capacitor.)
- Do not use unspecified tester or other measuring device.

DIAGNOSTIC PROCEDURE

1.CHECK HARNESS CONNECTOR

Check the connection of harness connector.

Is the inspection result normal?

YES >> GO TO 2.

NO >> Repair or replace harness connectors.

2.CHECK WIRING HARNESS

Check the wiring harness externals.

Is the inspection result normal?

YES >> GO TO 3.

NO >> Replace wiring harness.

3.CHECK DIAGNOSIS SENSOR UNIT

1. Replace diagnosis sensor unit (ACU).

2. Check the screen of CONSULT.

Is the inspection result normal?

YES >> **INSPECTION END.**

NO >> Check the intermittent incident. Refer to [GI-46, "Intermittent Incident"](#).

A
B
C
D
E
F
G
H
I
J
K
L
M
N
O
P

SRC

B1145 CURTAIN MODULE RH

Description

INFOID:000000008281413

DTC B1145 [OPEN] CURTAIN MODULE RH

For RH side curtain air bag module, crash is judged by main “G” sensor output signal (left side: left satellite sensor, right side: right satellite sensor) and sub “G” sensor (right and left GP in center unit).

OPERATION

In case of collision whose acceleration exceeds the specified level, the ignition materials are ignited by electric ignition system. The system burns and introduces the chemical reaction of gas generating materials to generate hot gases that flow into the air bag through a filter and expand the bag.

STRUCTURE

RH side curtain air bag module mainly consists of air bag and inflator which inflates air bag.

INSTALLATION

RH side curtain air bag module is installed on the roof side with fixed bolts.

DTC Logic

INFOID:000000008281414

DTC DETECTION LOGIC

With CONSULT

DTC No. Index (“SELF-DIAG [CURRENT]”), (“SELF-DIAG [PAST]” or “TROUBLE DIAG RECORD”)

DTC No.	Trouble diagnosis name	DTC detecting condition	Possible cause
B1145	CURTAIN MODULE RH [OPEN]	RH side curtain air bag module circuit is open.	<ul style="list-style-type: none"> • Disconnection of wiring harness and open. • Internal breakdown in RH side curtain air bag module. • Replace diagnosis sensor unit (ACU).

DTC CONFIRMATION PROCEDURE (With CONSULT)

1.INSPECTION START

Turn ignition switch ON.

>> GO TO 2.

2.CHECK SELF-DIAG RESULT

Check the screen of CONSULT.

Is malfunctioning part detected?

YES >> Refer to [SRC-117, "Diagnosis Procedure"](#).

NO >> **INSPECTION END.**

DTC CONFIRMATION PROCEDURE (Without CONSULT)

NOTE:

- SRS will not enter diagnosis mode if no malfunction is detected in user mode.

1.INSPECTION START

Turn ignition switch ON.

>> GO TO 2.

B1145 CURTAIN MODULE RH

[FOR USA AND CANADA]

< DTC/CIRCUIT DIAGNOSIS >

2.CHECK AIR BAG WARNING LAMP

Check the warning lamp status.

Is malfunctioning part detected?

- YES >> Refer to [SRC-163, "DTC Index"](#).
NO >> **INSPECTION END.**

Diagnosis Procedure

INFOID:000000008281415

With CONSULT

WARNING:

- Before servicing, turn ignition switch OFF, disconnect both battery terminals and wait at least 3 minutes. (To discharge backup capacitor.)
- Do not use unspecified tester or other measuring device.

DIAGNOSTIC PROCEDURE

1.CHECK HARNESS CONNECTOR

Check the connection of harness connector.

Is the inspection result normal?

- YES >> GO TO 2.
NO >> Repair or replace harness connector.

2.CHECK WIRING HARNESS

Check the wiring harness externals.

Is the inspection result normal?

- YES >> GO TO 3.
NO >> Repair or replace wiring harness.

3.CHECK SIDE CURTAIN AIR BAG MODULE

1. Replace RH side curtain air bag module.
2. Check the screen of CONSULT.

Is the inspection result normal?

- YES >> **INSPECTION END.**
NO >> Check the intermittent incident. Refer to [GI-46, "Intermittent Incident"](#).

A
B
C
D
E
F
G
I
J
K
L
M
N
O
P

SRC

B1146 CURTAIN MODULE RH

Description

INFOID:000000008281416

DTC B1146 [VB-SHORT] CURTAIN MODULE RH

For RH side curtain air bag module, crash is judged by main "G" sensor output signal (left side: left satellite sensor, right side: right satellite sensor) and sub "G" sensor (right and left GP in center unit).

OPERATION

In case of collision whose acceleration exceeds the specified level, the ignition materials are ignited by electric ignition system. The system burns and introduces the chemical reaction of gas generating materials to generate hot gases that flow into the air bag through a filter and expand the bag.

STRUCTURE

RH side curtain air bag module mainly consists of air bag and inflator which inflates air bag.

INSTALLATION

RH side curtain air bag module is installed on the roof side with fixed bolts.

DTC Logic

INFOID:000000008281417

DTC DETECTION LOGIC

With CONSULT

DTC No. Index ("SELF-DIAG [CURRENT]"), ("SELF-DIAG [PAST]" or "TROUBLE DIAG RECORD")

DTC No.	Trouble diagnosis name	DTC detecting condition	Possible cause
B1146	CURTAIN MODULE RH [VB-SHORT]	RH side curtain air bag module circuit is shorted to some power supply circuit.	<ul style="list-style-type: none"> • Disconnection of wiring harness and short. • Internal breakdown in RH side curtain air bag module. • Internal breakdown in diagnosis sensor unit (ACU).

DTC CONFIRMATION PROCEDURE (With CONSULT)

1.INSPECTION START

Turn ignition switch ON.

>> GO TO 2.

2.CHECK SELF-DIAG RESULT

Check the screen of CONSULT.

Is malfunctioning part detected?

YES >> Refer to [SRC-119. "Diagnosis Procedure"](#).

NO >> **INSPECTION END.**

DTC CONFIRMATION PROCEDURE (Without CONSULT)

NOTE:

- SRS will not enter diagnosis mode if no malfunction is detected in user mode.

1.INSPECTION START

Turn ignition switch ON.

>> GO TO 2.

B1146 CURTAIN MODULE RH

[FOR USA AND CANADA]

< DTC/CIRCUIT DIAGNOSIS >

2.CHECK AIR BAG WARNING LAMP

Check the warning lamp status.

Is malfunctioning part detected?

- YES >> Refer to [SRC-163, "DTC Index"](#).
- NO >> **INSPECTION END.**

Diagnosis Procedure

INFOID:000000008281418

With CONSULT

WARNING:

- Before servicing, turn ignition switch OFF, disconnect both battery terminals and wait at least 3 minutes. (To discharge backup capacitor.)
- Do not use unspecified tester or other measuring device.

DIAGNOSTIC PROCEDURE

1.CHECK HARNESS CONNECTOR

Check the connection of harness connector.

Is the inspection result normal?

- YES >> GO TO 2.
- NO >> Repair or replace harness connector.

2.CHECK WIRING HARNESS

Check the wiring harness externals.

Is the inspection result normal?

- YES >> GO TO 3.
- NO >> Repair or replace wiring harness.

3.CHECK SIDE CURTAIN AIR BAG MODULE

1. Replace RH side curtain air bag module.
2. Check the screen of CONSULT.

Is the inspection result normal?

- YES >> **INSPECTION END.**
- NO >> Check the intermittent incident. Refer to [GI-46, "Intermittent Incident"](#).

A
B
C
D
E
F
G
I
J
K
L
M
N
O
P

SRC

B1147 CURTAIN MODULE RH

Description

INFOID:000000008281419

DTC B1147 [GND-SHORT] CURTAIN MODULE RH

For RH side curtain air bag module, crash is judged by main "G" sensor output signal (left side: left satellite sensor, right side: right satellite sensor) and sub "G" sensor (right and left GP in center unit).

OPERATION

In case of collision whose acceleration exceeds the specified level, the ignition materials are ignited by electric ignition system. The system burns and introduces the chemical reaction of gas generating materials to generate hot gases that flow into the air bag through a filter and expand the bag.

STRUCTURE

RH side curtain air bag module mainly consists of air bag and inflator which inflates air bag.

INSTALLATION

RH side curtain air bag module is installed on the roof side with fixed bolts.

DTC Logic

INFOID:000000008281420

DTC DETECTION LOGIC

With CONSULT

DTC No. Index ("SELF-DIAG [CURRENT]"), ("SELF-DIAG [PAST]" or "TROUBLE DIAG RECORD")

DTC No.	Trouble diagnosis name	DTC detecting condition	Possible cause
B1147	CURTAIN MODULE RH [GND-SHORT]	RH side curtain air bag module circuit is shorted to ground.	<ul style="list-style-type: none"> • Disconnection of wiring harness and short. • Internal breakdown in RH side curtain air bag module. • Replace diagnosis sensor unit (ACU).

DTC CONFIRMATION PROCEDURE (With CONSULT)

1.INSPECTION START

Turn ignition switch ON.

>> GO TO 2.

2.CHECK SELF-DIAG RESULT

Check the screen of CONSULT.

Is malfunctioning part detected?

YES >> Refer to [SRC-121, "Diagnosis Procedure"](#).

NO >> **INSPECTION END.**

DTC CONFIRMATION PROCEDURE (Without CONSULT)

NOTE:

- SRS will not enter diagnosis mode if no malfunction is detected in user mode.

1.INSPECTION START

Turn ignition switch ON.

>> GO TO 2.

B1147 CURTAIN MODULE RH

[FOR USA AND CANADA]

< DTC/CIRCUIT DIAGNOSIS >

2.CHECK AIR BAG WARNING LAMP

Check the warning lamp status.

Is malfunctioning part detected?

- YES >> Refer to [SRC-163, "DTC Index"](#).
NO >> **INSPECTION END.**

Diagnosis Procedure

INFOID:000000008281421

With CONSULT

WARNING:

- Before servicing, turn ignition switch OFF, disconnect both battery terminals and wait at least 3 minutes. (To discharge backup capacitor.)
- Do not use unspecified tester or other measuring device.

DIAGNOSTIC PROCEDURE

1.CHECK HARNESS CONNECTOR

Check the connection of harness connector.

Is the inspection result normal?

- YES >> GO TO 2.
NO >> Repair or replace harness connector.

2.CHECK WIRING HARNESS

Check the wiring harness externals.

Is the inspection result normal?

- YES >> GO TO 3.
NO >> Repair or replace wiring harness.

3.CHECK SIDE CURTAIN AIR BAG MODULE

1. Replace RH side curtain air bag module.
2. Check the screen of CONSULT.

Is the inspection result normal?

- YES >> **INSPECTION END.**
NO >> Check the intermittent incident. Refer to [GI-46, "Intermittent Incident"](#).

A
B
C
D
E
F
G
I
J
K
L
M
N
O
P

SRC

B1148 CURTAIN MODULE RH

Description

INFOID:000000008281422

DTC B1148 [SHORT] CURTAIN MODULE RH

For RH side curtain air bag module, crash is judged by main "G" sensor output signal (left side: left satellite sensor, right side: right satellite sensor) and sub "G" sensor (right and left GP in center unit).

OPERATION

In case of collision whose acceleration exceeds the specified level, the ignition materials are ignited by electric ignition system. The system burns and introduces the chemical reaction of gas generating materials to generate hot gases that flow into the air bag through a filter and expand the bag.

STRUCTURE

RH side curtain air bag module mainly consists of air bag and inflator which inflates air bag.

INSTALLATION

RH side curtain air bag module is installed on the roof side with fixed bolts.

DTC Logic

INFOID:000000008281423

DTC DETECTION LOGIC

With CONSULT

DTC No. Index ("SELF-DIAG [CURRENT]"), ("SELF-DIAG [PAST]" or "TROUBLE DIAG RECORD")

DTC No.	Trouble diagnosis name	DTC detecting condition	Possible cause
B1148	CURTAIN MODULE RH [SHORT]	RH side curtain air bag module circuit are shorted to each other.	<ul style="list-style-type: none">• Disconnection of wiring harness and short.• Internal breakdown in RH side curtain air bag module.• Internal breakdown in diagnosis sensor unit (ACU).

DTC CONFIRMATION PROCEDURE (With CONSULT)

1.INSPECTION START

Turn ignition switch ON.

>> GO TO 2.

2.CHECK SELF-DIAG RESULT

Check the screen of CONSULT.

Is malfunctioning part detected?

YES >> Refer to [SRC-123. "Diagnosis Procedure"](#).

NO >> **INSPECTION END.**

DTC CONFIRMATION PROCEDURE (Without CONSULT)

NOTE:

- SRS will not enter diagnosis mode if no malfunction is detected in user mode.

1.INSPECTION START

Turn ignition switch ON.

>> GO TO 2.

B1148 CURTAIN MODULE RH

[FOR USA AND CANADA]

< DTC/CIRCUIT DIAGNOSIS >

2.CHECK AIR BAG WARNING LAMP

Check the warning lamp status.

Is malfunctioning part detected?

- YES >> Refer to [SRC-163, "DTC Index"](#).
NO >> **INSPECTION END.**

Diagnosis Procedure

INFOID:000000008281424

With CONSULT

WARNING:

- Before servicing, turn ignition switch OFF, disconnect both battery terminals and wait at least 3 minutes. (To discharge backup capacitor.)
- Do not use unspecified tester or other measuring device.

DIAGNOSTIC PROCEDURE

1.CHECK HARNESS CONNECTOR

Check the connection of harness connector.

Is the inspection result normal?

- YES >> GO TO 2.
NO >> Repair or replace harness connector.

2.CHECK WIRING HARNESS

Check the wiring harness externals.

Is the inspection result normal?

- YES >> GO TO 3.
NO >> Repair or replace wiring harness.

3.CHECK SIDE CURTAIN AIR BAG MODULE

1. Replace RH side curtain air bag module.
2. Check the screen of CONSULT.

Is the inspection result normal?

- YES >> **INSPECTION END.**
NO >> Check the intermittent incident. Refer to [GI-46, "Intermittent Incident"](#).

A
B
C
D
E
F
G
I
J
K
L
M
N
O
P

SRC

B1150 CURTAIN MODULE LH

Description

INFOID:000000008281425

DTC B1150 [OPEN] CURTAIN MODULE LH

For LH side curtain air bag module, crash is judged by main "G" sensor output signal (left side: left satellite sensor, right side: right satellite sensor) and sub "G" sensor (right and left GP in center unit).

OPERATION

In case of collision whose acceleration exceeds the specified level, the ignition materials are ignited by electric ignition system. The system burns and introduces the chemical reaction of gas generating materials to generate hot gases that flow into the air bag through a filter and expand the bag.

STRUCTURE

LH side curtain air bag module mainly consists of air bag and inflator which inflates air bag.

INSTALLATION

LH side curtain air bag module is installed on the roof side with fixed bolts.

DTC Logic

INFOID:000000008281426

DTC DETECTION LOGIC

With CONSULT

DTC No. Index ("SELF-DIAG [CURRENT]"), ("SELF-DIAG [PAST]" or "TROUBLE DIAG RECORD")

DTC No.	Trouble diagnosis name	DTC detecting condition	Possible cause
B1150	CURTAIN MODULE LH [OPEN]	LH side curtain air bag module circuit is open.	<ul style="list-style-type: none">• Disconnection of wiring harness and open.• Internal breakdown in LH side curtain air bag module.• Internal breakdown in diagnosis sensor unit (ACU).

DTC CONFIRMATION PROCEDURE (With CONSULT)

1.INSPECTION START

Turn ignition switch ON.

>> GO TO 2.

2.CHECK SELF-DIAG RESULT

Check the screen of CONSULT.

Is malfunctioning part detected?

YES >> Refer to [SRC-125, "Diagnosis Procedure"](#).

NO >> **INSPECTION END.**

DTC CONFIRMATION PROCEDURE (Without CONSULT)

NOTE:

- SRS will not enter diagnosis mode if no malfunction is detected in user mode.

1.INSPECTION START

Turn ignition switch ON.

>> GO TO 2.

B1150 CURTAIN MODULE LH

[FOR USA AND CANADA]

< DTC/CIRCUIT DIAGNOSIS >

2.CHECK AIR BAG WARNING LAMP

Check the warning lamp status.

Is malfunctioning part detected?

- YES >> Refer to [SRC-163, "DTC Index"](#).
NO >> **INSPECTION END.**

Diagnosis Procedure

INFOID:000000008281427

With CONSULT

WARNING:

- Before servicing, turn ignition switch OFF, disconnect both battery terminals and wait at least 3 minutes. (To discharge backup capacitor.)
- Do not use unspecified tester or other measuring device.

DIAGNOSTIC PROCEDURE

1.CHECK HARNESS CONNECTOR

Check the connection of harness connector.

Is the inspection result normal?

- YES >> GO TO 2.
NO >> Repair or replace harness connector.

2.CHECK WIRING HARNESS

Check the wiring harness externals.

Is the inspection result normal?

- YES >> GO TO 3.
NO >> Repair or replace wiring harness.

3.CHECK SIDE CURTAIN AIR BAG MODULE

1. Replace LH side curtain air bag module.
2. Check the screen of CONSULT.

Is the inspection result normal?

- YES >> **INSPECTION END.**
NO >> Check the intermittent incident. Refer to [GI-46, "Intermittent Incident"](#).

A
B
C
D
E
F
G
I
J
K
L
M
N
O
P

SRC

B1151 CURTAIN MODULE LH

Description

INFOID:000000008281428

DTC B1151 [VB-SHORT] CURTAIN MODULE LH

For LH side curtain air bag module, crash is judged by main "G" sensor output signal (left side: left satellite sensor, right side: right satellite sensor) and sub "G" sensor (right and left GP in center unit).

OPERATION

In case of collision whose acceleration exceeds the specified level, the ignition materials are ignited by electric ignition system. The system burns and introduces the chemical reaction of gas generating materials to generate hot gases that flow into the air bag through a filter and expand the bag.

STRUCTURE

LH side curtain air bag module mainly consists of air bag and inflator which inflates air bag.

INSTALLATION

LH side curtain air bag module is installed on the roof side with fixed bolts.

DTC Logic

INFOID:000000008281429

DTC DETECTION LOGIC

With CONSULT

DTC No. Index ("SELF-DIAG [CURRENT]"), ("SELF-DIAG [PAST]" or "TROUBLE DIAG RECORD")

DTC No.	Trouble diagnosis name	DTC detecting condition	Possible cause
B1151	CURTAIN MODULE LH [VB-SHORT]	LH side curtain air bag module circuit is shorted to some power supply circuit.	<ul style="list-style-type: none">• Disconnection of wiring harness and short.• Internal breakdown in LH side curtain air bag module.• Internal breakdown in diagnosis sensor unit (ACU).

DTC CONFIRMATION PROCEDURE (With CONSULT)

1.INSPECTION START

Turn ignition switch ON.

>> GO TO 2.

2.CHECK SELF-DIAG RESULT

Check the screen of CONSULT.

Is malfunctioning part detected?

YES >> Refer to [SRC-127, "Diagnosis Procedure"](#).

NO >> **INSPECTION END.**

DTC CONFIRMATION PROCEDURE (Without CONSULT-)

NOTE:

- SRS will not enter diagnosis mode if no malfunction is detected in user mode.

1.INSPECTION START

Turn ignition switch ON.

>> GO TO 2.

B1151 CURTAIN MODULE LH

[FOR USA AND CANADA]

< DTC/CIRCUIT DIAGNOSIS >

2.CHECK AIR BAG WARNING LAMP

Check the warning lamp status.

Is malfunctioning part detected?

- YES >> Refer to [SRC-163, "DTC Index"](#).
- NO >> **INSPECTION END.**

Diagnosis Procedure

INFOID:000000008281430

With CONSULT

WARNING:

- Before servicing, turn ignition switch OFF, disconnect both battery terminals and wait at least 3 minutes. (To discharge backup capacitor.)
- Do not use unspecified tester or other measuring device.

DIAGNOSTIC PROCEDURE

1.CHECK HARNESS CONNECTOR

Check the connection of harness connector.

Is the inspection result normal?

- YES >> GO TO 2.
- NO >> Repair or replace harness connector.

2.CHECK WIRING HARNESS

Check the wiring harness externals.

Is the inspection result normal?

- YES >> GO TO 3.
- NO >> Repair or replace wiring harness.

3.CHECK SIDE CURTAIN AIR BAG MODULE

1. Replace LH side curtain air bag module.
2. Check the screen of CONSULT.

Is the inspection result normal?

- YES >> **INSPECTION END.**
- NO >> Check the intermittent incident. Refer to [GI-46, "Intermittent Incident"](#).

A
B
C
D
E
F
G
I
J
K
L
M
N
O
P

SRC

B1152 CURTAIN MODULE LH

Description

INFOID:000000008281431

DTC B1152 [GND-SHORT] CURTAIN MODULE LH

For LH side curtain air bag module, crash is judged by main "G" sensor output signal (left side: left satellite sensor, right side: right satellite sensor) and sub "G" sensor (right and left GP in center unit).

OPERATION

In case of collision whose acceleration exceeds the specified level, the ignition materials are ignited by electric ignition system. The system burns and introduces the chemical reaction of gas generating materials to generate hot gases that flow into the air bag through a filter and expand the bag.

STRUCTURE

LH side curtain air bag module mainly consists of air bag and inflator which inflates air bag.

INSTALLATION

LH side curtain air bag module is installed on the roof side with fixed bolts.

DTC Logic

INFOID:000000008281432

DTC DETECTION LOGIC

With CONSULT

DTC No. Index ("SELF-DIAG [CURRENT]"), ("SELF-DIAG [PAST]" or "TROUBLE DIAG RECORD")

DTC No.	Trouble diagnosis name	DTC detecting condition	Possible cause
B1152	CURTAIN MODULE LH [GND-SHORT]	LH side curtain air bag module circuit is shorted to ground.	<ul style="list-style-type: none">• Disconnection of wiring harness and short.• Internal breakdown in LH side curtain airbag module.• Internal breakdown in diagnosis sensor unit (ACU).

DTC CONFIRMATION PROCEDURE (With CONSULT)

1.INSPECTION START

Turn ignition switch ON.

>> GO TO 2.

2.CHECK SELF-DIAG RESULT

Check the screen of CONSULT.

Is malfunctioning part detected?

YES >> Refer to [SRC-129. "Diagnosis Procedure"](#).

NO >> **INSPECTION END.**

DTC CONFIRMATION PROCEDURE (Without CONSULT)

NOTE:

- SRS will not enter diagnosis mode if no malfunction is detected in user mode.

1.INSPECTION START

Turn ignition switch ON.

>> GO TO 2.

B1152 CURTAIN MODULE LH

[FOR USA AND CANADA]

< DTC/CIRCUIT DIAGNOSIS >

2.CHECK AIR BAG WARNING LAMP

Check the warning lamp status.

Is malfunctioning part detected?

- YES >> Refer to [SRC-163, "DTC Index"](#).
- NO >> **INSPECTION END.**

Diagnosis Procedure

INFOID:000000008281433

With CONSULT

WARNING:

- Before servicing, turn ignition switch OFF, disconnect both battery terminals and wait at least 3 minutes. (To discharge backup capacitor.)
- Do not use unspecified tester or other measuring device.

DIAGNOSTIC PROCEDURE

1.CHECK HARNESS CONNECTOR

Check the connection of harness connector.

Is the inspection result normal?

- YES >> GO TO 2.
- NO >> Repair or replace harness connector.

2.CHECK WIRING HARNESS

Check the wiring harness externals.

Is the inspection result normal?

- YES >> GO TO 3.
- NO >> Repair or replace wiring harness.

3.CHECK SIDE CURTAIN AIR BAG MODULE

1. Replace LH side curtain air bag module.
2. Check the screen of CONSULT.

Is the inspection result normal?

- YES >> **INSPECTION END.**
- NO >> Check the intermittent incident. Refer to [GI-46, "Intermittent Incident"](#).

A
B
C
D
E
F
G
I
J
K
L
M
N
O
P

SRC

B1153 CURTAIN MODULE LH

Description

INFOID:000000008281434

DTC B1153 [SHORT] CURTAIN MODULE LH

For LH side curtain air bag module, crash is judged by main "G" sensor output signal (left side: left satellite sensor, right side: right satellite sensor) and sub "G" sensor (right and left GP in center unit).

OPERATION

In case of collision whose acceleration exceeds the specified level, the ignition materials are ignited by electric ignition system. The system burns and introduces the chemical reaction of gas generating materials to generate hot gases that flow into the air bag through a filter and expand the bag.

STRUCTURE

LH side curtain air bag module mainly consists of air bag and inflator which inflates air bag.

INSTALLATION

LH side curtain air bag module is installed on the roof side with fixed bolts.

DTC Logic

INFOID:000000008281435

DTC DETECTION LOGIC

With CONSULT

DTC No. Index ("SELF-DIAG [CURRENT]"), ("SELF-DIAG [PAST]" or "TROUBLE DIAG RECORD")

DTC No.	Trouble diagnosis name	DTC detecting condition	Possible cause
B1153	CURTAIN MODULE LH [SHORT]	LH side curtain air bag module circuit are shorted to each other.	<ul style="list-style-type: none">• Disconnection of wiring harness and short.• Internal breakdown in LH side curtain air bag module.• Internal breakdown in diagnosis sensor unit (ACU).

DTC CONFIRMATION PROCEDURE (With CONSULT)

1.INSPECTION START

Turn ignition switch ON.

>> GO TO 2.

2.CHECK SELF-DIAG RESULT

Check the screen of CONSULT.

Is malfunctioning part detected?

YES >> Refer to [SRC-131, "Diagnosis Procedure"](#).

NO >> **INSPECTION END.**

DTC CONFIRMATION PROCEDURE (Without CONSULT)

NOTE:

- SRS will not enter diagnosis mode if no malfunction is detected in user mode.

1.INSPECTION START

Turn ignition switch ON.

>> GO TO 2.

B1153 CURTAIN MODULE LH

[FOR USA AND CANADA]

< DTC/CIRCUIT DIAGNOSIS >

2.CHECK AIR BAG WARNING LAMP

Check the warning lamp status.

Is malfunctioning part detected?

- YES >> Refer to [SRC-163, "DTC Index"](#).
NO >> **INSPECTION END.**

Diagnosis Procedure

INFOID:000000008281436

With CONSULT

WARNING:

- Before servicing, turn ignition switch OFF, disconnect both battery terminals and wait at least 3 minutes. (To discharge backup capacitor.)
- Do not use unspecified tester or other measuring device.

DIAGNOSTIC PROCEDURE

1.CHECK HARNESS CONNECTOR

Check the connection of harness connector.

Is the inspection result normal?

- YES >> GO TO 2.
NO >> Repair or replace harness connector.

2.CHECK WIRING HARNESS

Check the wiring harness externals.

Is the inspection result normal?

- YES >> GO TO 3.
NO >> Repair or replace wiring harness.

3.CHECK SIDE CURTAIN AIR BAG MODULE

1. Replace LH side curtain air bag module.
2. Check the screen of CONSULT.

Is the inspection result normal?

- YES >> **INSPECTION END.**
NO >> Check the intermittent incident. Refer to [GI-46, "Intermittent Incident"](#).

A
B
C
D
E
F
G
I
J
K
L
M
N
O
P

SRC

B1155, B1157 DIAGNOSIS SENSOR UNIT

< DTC/CIRCUIT DIAGNOSIS >

[FOR USA AND CANADA]

B1155, B1157 DIAGNOSIS SENSOR UNIT

Description

INFOID:000000008281437

Checks the entire SRS and displays the malfunction either by illuminating or blinking the air bag warning lamp on the combination meter. Malfunctioning part can be detected by on board self-diagnosis system and CONSULT.

OPERATION

It detects a shock that exceeds a specified level and monitors whether the driver and passenger air bags, front side air bag, side curtain air bag and pre-tensioner seat belts operate normally.

STRUCTURE

It contains the "G" sensors for both frontal and side collisions and spare battery function in case of main battery damage in collision.

INSTALLATION

Air bag diagnosis sensor unit is installed under the center console with fixed bolts.

DTC Logic

INFOID:000000008281438

DTC No.	Trouble diagnosis name	DTC detecting condition	Possible cause
B1155 B1157	CONTROL UNIT	Air bag diagnosis sensor unit is malfunctioning or out of the specification	<ul style="list-style-type: none">Malfunction in air bag diagnosis sensor unitConfiguration in air bag diagnosis sensor unit does not match the vehicles specification

DTC CONFIRMATION PROCEDURE

1. CHECK SELF-DIAG RESULT

With CONSULT

- Turn ignition switch ON.
- Perform "AIR BAG" Self Diagnostic Result.

Without CONSULT

- Turn ignition switch ON.
- Check the air bag warning lamp status. Refer to [SRC-18, "Diagnosis Description"](#).

NOTE:

SRS does not enter diagnosis mode if no malfunction is detected in user mode.

Is malfunctioning part detected?

- YES >> Refer to [SRC-132, "Diagnosis Procedure"](#).
NO >> INSPECTION END

Diagnosis Procedure

INFOID:000000008281439

WARNING:

- Before servicing, turn ignition switch OFF, disconnect battery negative terminal and wait at least 3 minutes. (To discharge backup capacitor.)
- Never use unspecified tester or other measuring device.

1. CHECK HARNESS CONNECTOR

Check the harness connector.

Is the inspection result normal?

- YES >> GO TO 2.
NO >> Replace harness connectors.

2. CHECK WIRING HARNESS

Check the wiring harness externals.

Is the inspection result normal?

- YES >> GO TO 3.

B1155, B1157 DIAGNOSIS SENSOR UNIT

< DTC/CIRCUIT DIAGNOSIS >

[FOR USA AND CANADA]

NO >> Replace wiring harness.

3. REPLACE AIR BAG DIAGNOSIS SENSOR UNIT

1. Replace air bag diagnosis sensor unit. Refer to [SR-24, "Removal and Installation"](#).
2. Perform DTC confirmation procedure. Refer to [SRC-132, "DTC Logic"](#).

Is DTC detected?

YES >> GO TO 1.

NO >> INSPECTION END

A

B

C

D

E

F

G

SRC

I

J

K

L

M

N

O

P

B1170, B1171, B1172, B1173, B1174, B1175 DIAGNOSIS SENSOR UNIT

< DTC/CIRCUIT DIAGNOSIS >

[FOR USA AND CANADA]

B1170, B1171, B1172, B1173, B1174, B1175 DIAGNOSIS SENSOR UNIT

Description

INFOID:000000008281440

DTC B1170, B1171, B1172, B1173, B1174, B1175 DIAGNOSIS SENSOR UNIT

Detects the whole SRS electrical system and displays the malfunction either by illuminating or blinking the air bag warning lamp in the combination meter. Malfunctioning part can be detected by on board self-diagnosis system and electro-diagnosis tester CONSULT.

OPERATION

It detects a shock that exceeds specified level and monitors such systems as the driver and passenger air bag, side air bag, curtain air bag, pre-tensioner seat belts and Occupant Classification System (OCS) operate properly.

STRUCTURE

It contains the "G" sensors for both frontal and side collisions and spare battery function in case of main battery damage in collision.

INSTALLATION

SRS diagnosis sensor unit is installed under the center console with fixed bolts.

DTC Logic

INFOID:000000008281441

DTC DETECTION LOGIC

With CONSULT

DTC No. Index ("SELF-DIAG [CURRENT]"), ("SELF-DIAG [PAST]" or "TROUBLE DIAG RECORD")

DTC No.	Trouble diagnosis name	DTC detecting condition	Possible cause
B1170 B1171 B1172 B1173 B1174 B1175	CONTROL UNIT	Diagnosis sensor unit is out of order.	Internal breakdown in diagnosis sensor unit (ACU).

DTC CONFIRMATION PROCEDURE (With CONSULT)

1.INSPECTION START

Turn ignition switch ON.

>> GO TO 2.

2.CHECK SELF-DIAG RESULT

Check the screen of CONSULT.

Is malfunctioning part detected?

YES >> Refer to [SRC-135, "Diagnosis Procedure"](#).

NO >> **INSPECTION END.**

DTC CONFIRMATION PROCEDURE (Without CONSULT)

NOTE:

SRS will not enter diagnosis mode if no malfunction is detected in user mode.

1.INSPECTION START

Turn ignition switch ON.

B1170, B1171, B1172, B1173, B1174, B1175 DIAGNOSIS SENSOR UNIT

< DTC/CIRCUIT DIAGNOSIS >

[FOR USA AND CANADA]

>> GO TO 2.

2.CHECK AIR BAG WARNING LAMP

Check the warning lamp status.

Is malfunctioning part detected?

YES >> Refer to [SRC-163, "DTC Index"](#).

NO >> **INSPECTION END.**

Diagnosis Procedure

INFOID:000000008281442

With CONSULT

WARNING:

- Before servicing, turn ignition switch OFF, disconnect both battery terminals and wait at least 3 minutes. (To discharge backup capacitor.)
- Do not use unspecified tester or other measuring device.

DIAGNOSTIC PROCEDURE

1.CHECK HARNESS CONNECTOR

Check the connection of harness connector.

Is the inspection result normal?

YES >> GO TO 2.

NO >> Repair or replace harness connectors.

2.CHECK WIRING HARNESS

Check the wiring harness externals.

Is the inspection result normal?

YES >> GO TO 3.

NO >> Repair or replace wiring harness.

3.CHECK DIAGNOSIS SENSOR UNIT

1. Replace diagnosis sensor unit (ACU).

2. Check the screen of CONSULT.

Is the inspection result normal?

YES >> **INSPECTION END.**

NO >> Check the intermittent incident. Refer to [GI-46, "Intermittent Incident"](#).

A
B
C
D
E
F
G
H
I
J
K
L
M
N
O
P

SRC

B1177 PRE-TEN2 FRONT RH

Description

INFOID:000000008281443

DTC B1177 [OPEN] PRE-TEN2 FRONT RH

For front RH seat belt pre-tensioner 2, crash is judged by main “G” sensor output signal and sub “G” sensor in front direction.

OPERATION

In the case of a frontal collision that exceeds specified impact level, the diagnosis sensor unit detects the deceleration caused by collision. If restrains the passenger with seat belt easing the stress on passengers chest with load limiter.

STRUCTURE

The restraint system for front seat occupant consists of the pre-tensioner mechanism and load limiter mechanism.

INSTALLATION

Front RH seat belt pre-tensioner 2 is installed on the underside of center pillar with fixed nuts.

DTC Logic

INFOID:000000008281444

DTC DETECTION LOGIC

With CONSULT

DTC No. Index (“SELF-DIAG [CURRENT]”), (“SELF-DIAG [PAST]” or “TROUBLE DIAG RECORD”)

DTC No.	Trouble diagnosis name	DTC detecting condition	Possible cause
B1177	PRE-TEN2 FRONT RH [OPEN]	Front RH seat belt pre-tensioner 2 circuit is open.	<ul style="list-style-type: none"> • Disconnection of wiring harness and open. • Internal breakdown in front RH seat belt pre-tensioner 2. • Internal breakdown in diagnosis sensor unit (ACU).

DTC CONFIRMATION PROCEDURE (With CONSULT)

1.INSPECTION START

Turn ignition switch ON.

>> GO TO 2.

2.CHECK SELF-DIAG RESULT

Check the screen of CONSULT.

Is malfunctioning part detected?

- YES >> Refer to [SRC-137. "Diagnosis Procedure"](#).
- NO >> **INSPECTION END.**

DTC CONFIRMATION PROCEDURE (Without CONSULT)

NOTE:

- SRS will not enter diagnosis mode if no malfunction is detected in user mode.

1.INSPECTION START

Turn ignition switch ON.

< DTC/CIRCUIT DIAGNOSIS >

>> GO TO 2.

2.CHECK AIR BAG WARNING LAMP

Check the warning lamp status.

Is malfunctioning part detected?

YES >> Refer to SRC-163, "DTC Index".

NO >> INSPECTION END.

Diagnosis Procedure

INFOID:000000008281445

With CONSULT

WARNING:

- Before servicing, turn ignition switch OFF, disconnect both battery terminals and wait at least 3 minutes. (To discharge backup capacitor.)
- Do not use unspecified tester or other measuring device.

DIAGNOSTIC PROCEDURE

1.CHECK HARNESS CONNECTOR

Check the connection of harness connector.

Is the inspection result normal?

YES >> GO TO 2.

NO >> Repair or replace harness connector.

2.CHECK WIRING HARNESS

Check the wiring harness externals.

Is the inspection result normal?

YES >> GO TO 3.

NO >> Repair or replace wiring harness.

3.CHECK FRONT SEAT BELT PRE-TENSIONER 2

1. Replace front RH seat belt pre-tensioner 2.

2. Check the screen of CONSULT.

Is the inspection result normal?

YES >> INSPECTION END.

NO >> Check the intermittent incident. Refer to GI-46, "Intermittent Incident".

A
B
C
D
E
F
G
I
J
K
L
M
N
O
P

SRC

B1178 PRE-TEN2 FRONT RH

Description

INFOID:000000008281446

DTC B1178 [VB-SHORT] PRE-TEN2 FRONT RH

For front RH seat belt pre-tensioner 2, crash is judged by main "G" sensor output signal and sub "G" sensor in front direction.

OPERATION

In the case of a frontal collision that exceeds specified impact level, the diagnosis sensor unit detects the deceleration caused by collision. If restrains the passenger with seat belt easing the stress on passengers chest with load limiter.

STRUCTURE

The restraint system for front seat occupant consists of the pre-tensioner mechanism and load limiter mechanism.

INSTALLATION

Front RH seat belt pre-tensioner 2 is installed on the underside of center pillar with fixed nuts.

DTC Logic

INFOID:000000008281447

DTC DETECTION LOGIC

With CONSULT

DTC No. Index ("SELF-DIAG [CURRENT]"), ("SELF-DIAG [PAST]" or "TROUBLE DIAG RECORD")

DTC No.	Trouble diagnosis name	DTC detecting condition	Possible cause
B1178	PRE-TEN2 FRONT RH [VB-SHORT]	Front RH seat belt pre-tensioner 2 circuit is shorted to some power supply circuit.	<ul style="list-style-type: none"> • Disconnection of wiring harness and short. • Internal breakdown in front RH seat belt pre-tensioner 2. • Internal breakdown in diagnosis sensor unit (ACU).

DTC CONFIRMATION PROCEDURE (With CONSULT)

1.INSPECTION START

Turn ignition switch ON.

>> GO TO 2.

2.CHECK SELF-DIAG RESULT

Check the screen of CONSULT.

Is malfunctioning part detected?

- YES >> Refer to [SRC-139. "Diagnosis Procedure"](#).
 NO >> **INSPECTION END.**

DTC CONFIRMATION PROCEDURE (Without CONSULT)

NOTE:

- SRS will not enter diagnosis mode if no malfunction is detected in user mode.

1.INSPECTION START

Turn ignition switch ON.

< DTC/CIRCUIT DIAGNOSIS >

>> GO TO 2.

2.CHECK AIR BAG WARNING LAMP

Check the warning lamp status.

Is malfunctioning part detected?

YES >> Refer to [SRC-163, "DTC Index"](#).

NO >> **INSPECTION END.**

Diagnosis Procedure

INFOID:000000008281448

With CONSULT

WARNING:

- Before servicing, turn ignition switch OFF, disconnect both battery terminals and wait at least 3 minutes. (To discharge backup capacitor.)
- Do not use unspecified tester or other measuring device.

DIAGNOSTIC PROCEDURE

1.CHECK HARNESS CONNECTOR

Check the connection of harness connector.

Is the inspection result normal?

YES >> GO TO 2.

NO >> Repair or replace harness connector.

2.CHECK WIRING HARNESS

Check the wiring harness externals.

Is the inspection result normal?

YES >> GO TO 3.

NO >> Repair or replace wiring harness.

3.CHECK FRONT SEAT BELT PRE-TENSIONER 2

1. Replace front RH seat belt pre-tensioner 2.

2. Check the screen of CONSULT.

Is the inspection result normal?

YES >> **INSPECTION END.**

NO >> Check the intermittent incident. Refer to [GI-46, "Intermittent Incident"](#).

A
B
C
D
E
F
G
I
J
K
L
M
N
O
P

SRC

B1179 PRE-TEN2 FRONT RH

Description

INFOID:000000008281449

DTC B1179 [GND-SHORT] PRE-TEN2 FRONT RH

For front RH seat belt pre-tensioner 2, crash is judged by main “G” sensor output signal and sub “G” sensor in front direction.

OPERATION

In the case of a frontal collision that exceeds specified impact level, the diagnosis sensor unit detects the deceleration caused by collision. It restrains the passenger with seat belt easing the stress on passengers chest with load limiter.

STRUCTURE

The restraint system for front seat occupant consists of the pre-tensioner mechanism and load limiter mechanism.

INSTALLATION

Front RH seat belt pre-tensioner 2 is installed on the underside of center pillar with fixed nuts.

DTC Logic

INFOID:000000008281450

DTC DETECTION LOGIC

With CONSULT

DTC No. Index (“SELF-DIAG [CURRENT]”), (“SELF-DIAG [PAST]” or “TROUBLE DIAG RECORD”)

DTC No.	Trouble diagnosis name	DTC detecting condition	Possible cause
B1179	PRE-TEN2 FRONT RH [GND-SHORT]	Front RH seat belt pre-tensioner 2 circuit is shorted to ground.	<ul style="list-style-type: none">• Disconnection of wiring harness and short.• Internal breakdown in front RH seat belt pre-tensioner 2.• Internal breakdown in diagnosis sensor unit (ACU).

DTC CONFIRMATION PROCEDURE (With CONSULT)

1.INSPECTION START

Turn ignition switch ON.

>> GO TO 2.

2.CHECK SELF-DIAG RESULT

Check the screen of CONSULT.

Is malfunctioning part detected?

- YES >> Refer to [SRC-141. "Diagnosis Procedure"](#).
- NO >> **INSPECTION END.**

DTC CONFIRMATION PROCEDURE (Without CONSULT)

NOTE:

- SRS will not enter diagnosis mode if no malfunction is detected in user mode.

1.INSPECTION START

Turn ignition switch ON.

< DTC/CIRCUIT DIAGNOSIS >

>> GO TO 2.

2.CHECK AIR BAG WARNING LAMP

Check the warning lamp status.

Is malfunctioning part detected?

YES >> Refer to [SRC-163, "DTC Index"](#).

NO >> **INSPECTION END.**

Diagnosis Procedure

INFOID:000000008281451

With CONSULT

WARNING:

- Before servicing, turn ignition switch OFF, disconnect both battery terminals and wait at least 3 minutes. (To discharge backup capacitor.)
- Do not use unspecified tester or other measuring device.

DIAGNOSTIC PROCEDURE

1.CHECK HARNESS CONNECTOR

Check the connection of harness connector.

Is the inspection result normal?

YES >> GO TO 2.

NO >> Repair or replace harness connector.

2.CHECK WIRING HARNESS

Check the wiring harness externals.

Is the inspection result normal?

YES >> GO TO 3.

NO >> Repair or replace wiring harness.

3.CHECK FRONT SEAT BELT PRE-TENSIONER 2

1. Replace front RH seat belt pre-tensioner 2.

2. Check the screen of CONSULT.

Is the inspection result normal?

YES >> **INSPECTION END.**

NO >> Check the intermittent incident. Refer to [GI-46, "Intermittent Incident"](#).

A
B
C
D
E
F
G
I
J
K
L
M
N
O
P

SRC

B1180 PRE-TEN2 FRONT RH

Description

INFOID:000000008281452

DTC B1180 [SHORT] PRE-TEN2 FRONT RH

For front RH seat belt pre-tensioner 2, crash is judged by main “G” sensor output signal and sub “G” sensor in front direction.

OPERATION

In the case of a frontal collision that exceeds specified impact level, the diagnosis sensor unit detects the deceleration caused by collision. If restrains the passenger with seat belt easing the stress on passengers chest with load limiter.

STRUCTURE

The restraint system for front seat occupant consists of the pre-tensioner mechanism and load limiter mechanism.

INSTALLATION

Front RH seat belt pre-tensioner 2 is installed on the underside of center pillar with fixed nuts.

DTC Logic

INFOID:000000008281453

DTC DETECTION LOGIC

With CONSULT

DTC No. Index (“SELF-DIAG [CURRENT]”), (“SELF-DIAG [PAST]” or “TROUBLE DIAG RECORD”)

DTC No.	Trouble diagnosis name	DTC detecting condition	Possible cause
B1180	PRE-TEN2 FRONT RH [SHORT]	Front RH seat belt pre-tensioner 2 circuit are shorted to each other.	<ul style="list-style-type: none"> • Disconnection of wiring harness and short. • Internal breakdown in front RH seat belt pre-tensioner 2. • Internal breakdown in diagnosis sensor unit (ACU).

DTC CONFIRMATION PROCEDURE (With CONSULT)

1.INSPECTION START

Turn ignition switch ON.

>> GO TO 2.

2.CHECK SELF-DIAG RESULT

Check the screen of CONSULT

Is malfunctioning part detected?

- YES >> Refer to [SRC-143. "Diagnosis Procedure"](#).
- NO >> **INSPECTION END.**

DTC CONFIRMATION PROCEDURE (Without CONSULT)

NOTE:

- SRS will not enter diagnosis mode if no malfunction is detected in user mode.

1.INSPECTION START

Turn ignition switch ON.

< DTC/CIRCUIT DIAGNOSIS >

>> GO TO 2.

2.CHECK AIR BAG WARNING LAMP

Check the warning lamp status.

Is malfunctioning part detected?

YES >> Refer to SRC-163, "DTC Index".

NO >> INSPECTION END.

Diagnosis Procedure

INFOID:000000008281454

With CONSULT

WARNING:

- Before servicing, turn ignition switch OFF, disconnect both battery terminals and wait at least 3 minutes. (To discharge backup capacitor.)
- Do not use unspecified tester or other measuring device.

DIAGNOSTIC PROCEDURE

1.CHECK HARNESS CONNECTOR

Check the connection of harness connector.

Is the inspectiion result normal?

YES >> GO TO 2.

NO >> Repair or replace harness connector.

2.CHECK WIRING HARNESS

Check the wiring harness externals.

Is the inspection result normal?

YES >> GO TO 3.

NO >> Repair or replace wiring harness.

3.CHECK FRONT SEAT BELT PRE-TENSIONER 2

1. Replace front RH seat belt pre-tensioner 2.

2. Check the screen of CONSULT.

Is the inspection result normal?

YES >> INSPECTION END.

NO >> Check the intermittent incident. Refer to GI-46, "Intermittent Incident".

A
B
C
D
E
F
G
I
J
K
L
M
N
O
P

SRC

B1182 PRE-TEN2 FRONT LH**Description**

INFOID:000000008281455

DTC B1182 [OPEN] PRE-TEN2 FRONT LH

For front LH seat belt pre-tensioner 2, crash is judged by main “G” sensor output signal and sub “G” sensor in front direction.

OPERATION

In the case of a frontal collision that exceeds specified impact level, the diagnosis sensor unit detects the deceleration caused by collision. If restrains the passenger with seat belt easing the stress on passengers chest with load limiter.

STRUCTURE

The restraint system for front seat occupant consists of the pre-tensioner mechanism and load limiter mechanism.

INSTALLATION

Front LH seat belt pre-tensioner 2 is installed on the underside of center pillar with fixed nuts.

DTC Logic

INFOID:000000008281456

DTC DETECTION LOGIC

With CONSULT

DTC No. Index (“SELF-DIAG [CURRENT]”), (“SELF-DIAG [PAST]” or “TROUBLE DIAG RECORD”)

DTC No.	Trouble diagnosis name	DTC detecting condition	Possible cause
B1182	PRE-TEN2 FRONT LH [OPEN]	Front LH seat belt pre-tensioner 2 circuit is open.	<ul style="list-style-type: none"> • Disconnection of wiring harness and open. • Internal breakdown in front LH seat belt pre-tensioner 2. • Internal breakdown in diagnosis sensor unit (ACU).

DTC CONFIRMATION PROCEDURE (With CONSULT)**1.INSPECTION START**

Turn ignition switch ON.

>> GO TO 2.

2.CHECK SELF-DIAG RESULT

Check the screen of CONSULT.

Is malfunctioning part detected?

- YES >> Refer to [SRC-145. "Diagnosis Procedure"](#).
 NO >> **INSPECTION END.**

DTC CONFIRMATION PROCEDURE (Without CONSULT)**NOTE:**

- SRS will not enter diagnosis mode if no malfunction is detected in user mode.

1.INSPECTION START

Turn ignition switch ON.

< DTC/CIRCUIT DIAGNOSIS >

>> GO TO 2.

2.CHECK AIR BAG WARNING LAMP

Check the warning lamp status.

Is malfunctioning part detected?

YES >> Refer to [SRC-163, "DTC Index"](#).

NO >> **INSPECTION END.**

Diagnosis Procedure

INFOID:000000008281457

With CONSULT

WARNING:

- Before servicing, turn ignition switch OFF, disconnect both battery terminals and wait at least 3 minutes. (To discharge backup capacitor.)
- Do not use unspecified tester or other measuring device.

DIAGNOSTIC PROCEDURE

1.CHECK HARNESS CONNECTOR

Check the connection of harness connector.

Is the inspection result normal?

YES >> GO TO 2.

NO >> Repair or replace harness connector.

2.CHECK WIRING HARNESS

Check the wiring harness externals.

Is the inspection result normal?

YES >> GO TO 3.

NO >> Replace wiring harness.

3.CHECK FRONT SEAT BELT PRE-TENSIONER 2

1. Replace front LH seat belt pre-tensioner 2.

2. Check the screen of CONSULT

Is the inspection result normal?

YES >> **INSPECTION END.**

NO >> Check the intermittent incident. Refer to [GI-46, "Intermittent Incident"](#).

A
B
C
D
E
F
G
I
J
K
L
M
N
O
P

SRC

B1183 PRE-TEN2 FRONT LH**Description**

INFOID:000000008281458

DTC B1183 [VB-SHORT] PRE-TEN2 FRONT LH

For front LH seat belt pre-tensioner 2, crash is judged by main “G” sensor output signal and sub “G” sensor in front direction.

OPERATION

In the case of a frontal collision that exceeds specified impact level, the diagnosis sensor unit detects the deceleration caused by collision. If restrains the passenger with seat belt easing the stress on passengers chest with load limiter.

STRUCTURE

The restraint system for front seat occupant consists of the pre-tensioner mechanism and load limiter mechanism.

INSTALLATION

Front LH seat belt pre-tensioner 2 is installed on the underside of center pillar with fixed nuts.

DTC Logic

INFOID:000000008281459

DTC DETECTION LOGIC

With CONSULT

DTC No. Index (“SELF-DIAG [CURRENT]”), (“SELF-DIAG [PAST]” or “TROUBLE DIAG RECORD”)

DTC No.	Trouble diagnosis name	DTC detecting condition	Possible cause
B1183	PRE-TEN2 FRONT LH [VB-SHORT]	Front LH seat belt pre-tensioner 2 circuit is shorted to some power supply circuit.	<ul style="list-style-type: none"> • Disconnection of wiring harness and short. • Internal breakdown in front LH seat belt pre-tensioner 2. • Internal breakdown in diagnosis sensor unit (ACU).

DTC CONFIRMATION PROCEDURE (With CONSULT)**1.INSPECTION START**

Turn ignition switch ON.

>> GO TO 2.

2.CHECK SELF-DIAG RESULT

Check the screen of CONSULT.

Is malfunctioning part detected?

- YES >> Refer to [SRC-147. "Diagnosis Procedure"](#).
 NO >> **INSPECTION END.**

DTC CONFIRMATION PROCEDURE (Without CONSULT)**NOTE:**

- SRS will not enter diagnosis mode if no malfunction is detected in user mode.

1.INSPECTION START

Turn ignition switch ON.

< DTC/CIRCUIT DIAGNOSIS >

>> GO TO 2.

2.CHECK AIR BAG WARNING LAMP

Check the warning lamp status.

Is malfunctioning part detected?

YES >> Refer to [SRC-163, "DTC Index"](#).

NO >> **INSPECTION END.**

Diagnosis Procedure

INFOID:000000008281460

With CONSULT

WARNING:

- Before servicing, turn ignition switch OFF, disconnect both battery terminals and wait at least 3 minutes. (To discharge backup capacitor.)
- Do not use unspecified tester or other measuring device.

DIAGNOSTIC PROCEDURE

1.CHECK HARNESS CONNECTOR

Check the connection of harness connector.

Is the inspection result normal?

YES >> GO TO 2.

NO >> Repair or replace harness connector.

2.CHECK WIRING HARNESS

Check the wiring harness externals.

Is the inspection result normal?

YES >> GO TO 3.

NO >> Repair or replace wiring harness.

3.CHECK FRONT SEAT BELT PRE-TENSIONER 2

1. Replace front LH seat belt pre-tensioner 2.

2. Check the screen of CONSULT.

Is the inspection result normal?

YES >> **INSPECTION END.**

NO >> Check the intermittent incident. Refer to [GI-46, "Intermittent Incident"](#).

A
B
C
D
E
F
G
I
J
K
L
M
N
O
P

SRC

B1184 PRE-TEN2 FRONT LH**Description**

INFOID:000000008281461

DTC B1184 [GND-SHORT] PRE-TEN2 FRONT LH

For front LH seat belt pre-tensioner 2, crash is judged by main "G" sensor output signal and sub "G" sensor in front direction.

OPERATION

In the case of a frontal collision that exceeds specified impact level, the diagnosis sensor unit detects the deceleration caused by collision. If restrains the passenger with seat belt easing the stress on passengers chest with load limiter.

STRUCTURE

The restraint system for front seat occupant consists of the pre-tensioner mechanism and load limiter mechanism.

INSTALLATION

Front LH seat belt pre-tensioner 2 is installed on the underside of center pillar with fixed nuts.

DTC Logic

INFOID:000000008281462

DTC DETECTION LOGIC

With CONSULT

DTC No. Index ("SELF-DIAG [CURRENT]"), ("SELF-DIAG [PAST]" or "TROUBLE DIAG RECORD")

DTC No.	Trouble diagnosis name	DTC detecting condition	Possible cause
B1184	PRE-TEN2 FRONT LH [GND-SHORT]	Front LH seat belt pre-tensioner 2 circuit is shorted to ground.	<ul style="list-style-type: none"> • Disconnection of wiring harness and short. • Internal breakdown in front LH seat belt pre-tensioner 2. • Internal breakdown in diagnosis sensor unit (ACU).

DTC CONFIRMATION PROCEDURE (With CONSULT)**1.INSPECTION START**

Turn ignition switch ON.

>> GO TO 2.

2.CHECK SELF-DIAG RESULT

Check the screen of CONSULT.

Is malfunctioning part detected?

- YES >> Refer to [SRC-149. "Diagnosis Procedure"](#).
 NO >> **INSPECTION END.**

DTC CONFIRMATION PROCEDURE (Without CONSULT)**NOTE:**

- SRS will not enter diagnosis mode if no malfunction is detected in user mode.

1.INSPECTION START

Turn ignition switch ON.

< DTC/CIRCUIT DIAGNOSIS >

>> GO TO 2.

2.CHECK AIR BAG WARNING LAMP

Check the warning lamp status.

Is malfunctioning part detected?

YES >> Refer to [SRC-163, "DTC Index"](#).

NO >> **INSPECTION END.**

Diagnosis Procedure

INFOID:000000008281463

With CONSULT

WARNING:

- Before servicing, turn ignition switch OFF, disconnect both battery terminals and wait at least 3 minutes. (To discharge backup capacitor.)
- Do not use unspecified tester or other measuring device.

DIAGNOSTIC PROCEDURE

1.CHECK HARNESS CONNECTOR

Check the connection of harness connector.

Is the inspection result normal?

YES >> GO TO 2.

NO >> Repair or replace harness connector.

2.CHECK WIRING HARNESS

Check the wiring harness externals.

Is the inspection result normal?

YES >> GO TO 3.

NO >> Replace wiring harness.

3.CHECK FRONT SEAT BELT PRE-TENSIONER 2

1. Replace front LH seat belt pre-tensioner 2.

2. Check the screen of CONSULT.

Is the inspection result normal?

YES >> **INSPECTION END.**

NO >> Check the intermittent incident. Refer to [GI-46, "Intermittent Incident"](#).

A
B
C
D
E
F
G
I
J
K
L
M
N
O
P

SRC

B1185 PRE-TEN2 FRONT LH

Description

INFOID:000000008281464

DTC B1185 [SHORT] PRE-TEN2 FRONT LH

For front LH seat belt pre-tensioner 2, crash is judged by main "G" sensor output signal and sub "G" sensor in front direction.

OPERATION

In the case of a frontal collision that exceeds specified impact level, the diagnosis sensor unit detects the deceleration caused by collision. If restrains the passenger with seat belt easing the stress on passengers chest with load limiter.

STRUCTURE

The restraint system for front seat occupant consists of the pre-tensioner mechanism and load limiter mechanism.

INSTALLATION

Front LH seat belt pre-tensioner 2 is installed on the underside of center pillar with fixed nuts.

DTC Logic

INFOID:000000008281465

DTC DETECTION LOGIC

With CONSULT

DTC No. Index ("SELF-DIAG [CURRENT]"), ("SELF-DIAG [PAST]" or "TROUBLE DIAG RECORD")

DTC No.	Trouble diagnosis name	DTC detecting condition	Possible cause
B1185	PRE-TEN2 FRONT LH [SHORT]	Front LH seat belt pre-tensioner 2 circuit are shorted to each other.	<ul style="list-style-type: none"> • Disconnection of wiring harness and short. • Internal breakdown in front LH seat belt pre-tensioner 2. • Internal breakdown in diagnosis sensor unit (ACU).

DTC CONFIRMATION PROCEDURE (With CONSULT)

1.INSPECTION START

Turn ignition switch ON.

>> GO TO 2.

2.CHECK SELF-DIAG RESULT

Check the screen of CONSULT.

Is malfunctioning part detected?

- YES >> Refer to [SRC-151. "Diagnosis Procedure"](#).
- NO >> **INSPECTION END.**

DTC CONFIRMATION PROCEDURE (Without CONSULT)

NOTE:

- SRS will not enter diagnosis mode if no malfunction is detected in user mode.

1.INSPECTION START

Turn ignition switch ON.

< DTC/CIRCUIT DIAGNOSIS >

>> GO TO 2.

2.CHECK AIR BAG WARNING LAMP

Check the warning lamp status.

Is malfunctioning part detected?

YES >> Refer to [SRC-163, "DTC Index"](#).

NO >> **INSPECTION END.**

Diagnosis Procedure

INFOID:000000008281466

With CONSULT

WARNING:

- Before servicing, turn ignition switch OFF, disconnect both battery terminals and wait at least 3 minutes. (To discharge backup capacitor.)
- Do not use unspecified tester or other measuring device.

DIAGNOSTIC PROCEDURE

1.CHECK HARNESS CONNECTOR

Check the connection of harness connector.

Is the inspection result normal?

YES >> GO TO 2.

NO >> Repair or replace harness connector.

2.CHECK WIRING HARNESS

Check the wiring harness externals.

Is the inspection result normal?

YES >> GO TO 3.

NO >> Replace wiring harness.

3.CHECK FRONT SEAT BELT PRE-TENSIONER 2

1. Replace front LH seat belt pre-tensioner 2.

2. Check the screen of CONSULT.

Is the inspection result normal?

YES >> **INSPECTION END.**

NO >> Check the intermittent incident. Refer to [GI-46, "Intermittent Incident"](#).

A
B
C
D
E
F
G
I
J
K
L
M
N
O
P

SRC

B1187, B1189 DIAGNOSIS SENSOR UNIT

< DTC/CIRCUIT DIAGNOSIS >

[FOR USA AND CANADA]

B1187, B1189 DIAGNOSIS SENSOR UNIT

Description

INFOID:000000008281467

Checks the entire SRS and displays the malfunction either by illuminating or blinking the air bag warning lamp on the combination meter. Malfunctioning part can be detected by on board self-diagnosis system and CONSULT.

OPERATION

It detects a shock that exceeds a specified level and monitors whether the driver and passenger air bags, front side air bag, side curtain air bag and pre-tensioner seat belts operate normally.

STRUCTURE

It contains the "G" sensors for both frontal and side collisions and spare battery function in case of main battery damage in collision.

INSTALLATION

Air bag diagnosis sensor unit is installed under the center console with fixed bolts.

DTC Logic

INFOID:000000008281468

DTC No.	Trouble diagnosis name	DTC detecting condition	Possible cause
B1187 B1189	CONTROL UNIT	Air bag diagnosis sensor unit is malfunctioning or out of the specification	<ul style="list-style-type: none">Malfunction in air bag diagnosis sensor unitConfiguration in air bag diagnosis sensor unit does not match the vehicles specification

DTC CONFIRMATION PROCEDURE

1. CHECK SELF-DIAG RESULT

With CONSULT

- Turn ignition switch ON.
- Perform "AIR BAG" Self Diagnostic Result.

Without CONSULT

- Turn ignition switch ON.
- Check the air bag warning lamp status. Refer to [SRC-18, "Diagnosis Description"](#).

NOTE:

SRS does not enter diagnosis mode if no malfunction is detected in user mode.

Is malfunctioning part detected?

- YES >> Refer to [SRC-152, "Diagnosis Procedure"](#).
NO >> INSPECTION END

Diagnosis Procedure

INFOID:000000008281469

WARNING:

- Before servicing, turn ignition switch OFF, disconnect battery negative terminal and wait at least 3 minutes. (To discharge backup capacitor.)
- Never use unspecified tester or other measuring device.

1. CHECK HARNESS CONNECTOR

Check the harness connector.

Is the inspection result normal?

- YES >> GO TO 2.
NO >> Replace harness connectors.

2. CHECK WIRING HARNESS

Check the wiring harness externals.

Is the inspection result normal?

- YES >> GO TO 3.

B1187, B1189 DIAGNOSIS SENSOR UNIT

< DTC/CIRCUIT DIAGNOSIS >

[FOR USA AND CANADA]

NO >> Replace wiring harness.

3. REPLACE AIR BAG DIAGNOSIS SENSOR UNIT

1. Replace air bag diagnosis sensor unit. Refer to [SR-24, "Removal and Installation"](#).
2. Perform DTC confirmation procedure. Refer to [SRC-152, "DTC Logic"](#).

Is DTC detected?

YES >> GO TO 1.

NO >> INSPECTION END

A

B

C

D

E

F

G

SRC

I

J

K

L

M

N

O

P

B1202, B1203, B1204, B1205, B1206, B1207 DIAGNOSIS SENSOR UNIT

< DTC/CIRCUIT DIAGNOSIS >

[FOR USA AND CANADA]

B1202, B1203, B1204, B1205, B1206, B1207 DIAGNOSIS SENSOR UNIT

Description

INFOID:000000008281470

DTC B1202, B1203, B1204, B1205, B1206, B1207 DIAGNOSIS SENSOR UNIT

Detects the whole SRS electrical system and displays the malfunction either by illuminating or blinking the air bag warning lamp in the combination meter. Malfunctioning part can be detected by on board self-diagnosis system and electro-diagnosis tester CONSULT.

OPERATION

It detects a shock that exceeds specified level and monitors such systems as the driver and passenger air bag, side air bag, curtain air bag, pre-tensioner seat belts and Occupant Classification System (OCS) operate properly.

STRUCTURE

It contains the "G" sensors for both frontal and side collisions and spare battery function in case of main battery damage in collision.

INSTALLATION

SRS diagnosis sensor unit is installed under the center console with fixed bolts.

DTC Logic

INFOID:000000008281471

DTC DETECTION LOGIC

With CONSULT

DTC No. Index ("SELF-DIAG [CURRENT]"), ("SELF-DIAG [PAST]" or "TROUBLE DIAG RECORD")

DTC No.	Trouble diagnosis name	DTC detecting condition	Possible cause
B1202 B1203 B1204 B1205 B1206 B1207	CONTROL UNIT	Diagnosis sensor unit is out of order.	Internal breakdown in diagnosis sensor unit (ACU).

DTC CONFIRMATION PROCEDURE (With CONSULT)

1.INSPECTION START

Turn ignition switch ON.

>> GO TO 2.

2.CHECK SELF-DIAG RESULT

Check the screen of CONSULT.

Is malfunctioning part detected?

- YES >> Refer to [SRC-155, "Diagnosis Procedure"](#).
- NO >> **INSPECTION END.**

DTC CONFIRMATION PROCEDURE (Without CONSULT)

NOTE:

- SRS will not enter diagnosis mode if no malfunction is detected in user mode.

1.INSPECTION START

Turn ignition switch ON.

B1202, B1203, B1204, B1205, B1206, B1207 DIAGNOSIS SENSOR UNIT

< DTC/CIRCUIT DIAGNOSIS >

[FOR USA AND CANADA]

>> GO TO 2.

2.CHECK AIR BAG WARNING LAMP

Check the warning lamp status.

Is malfunctioning part detected?

YES >> Refer to [SRC-163, "DTC Index"](#).

NO >> **INSPECTION END.**

Diagnosis Procedure

INFOID:000000008281472

With CONSULT

WARNING:

- Before servicing, turn ignition switch OFF, disconnect both battery terminals and wait at least 3 minutes. (To discharge backup capacitor.)
- Do not use unspecified tester or other measuring device.

DIAGNOSTIC PROCEDURE

1.CHECK HARNESS CONNECTOR

Check the connection of harness connector.

Is the inspection result normal?

YES >> GO TO 2.

NO >> Repair or replace harness connectors.

2.CHECK WIRING HARNESS

Check the wiring harness externals.

Is the inspection result normal?

YES >> GO TO 3.

NO >> Repair or replace wiring harness.

3.CHECK DIAGNOSIS SENSOR UNIT

1. Replace diagnosis sensor unit (ACU).

2. Check the screen of CONSULT.

Is the inspection result normal?

YES >> **INSPECTION END.**

NO >> Check the intermittent incident. Refer to [GI-46, "Intermittent Incident"](#).

A
B
C
D
E
F
G
H
I
J
K
L
M
N
O
P

SRC

B1209 FRONTAL COLLISION DETECTION

< DTC/CIRCUIT DIAGNOSIS >

[FOR USA AND CANADA]

B1209 FRONTAL COLLISION DETECTION

Description

INFOID:000000008281473

DTC B1209 FRONTAL COLLISION DETECTION

Detects component damage resulting from a front collision, blinks or illuminates the air bag warning lamp to inform the driver. Malfunctioning part can be detected by the CONSULT.

OPERATION

The air bag and seat belt pre-tensioners for driver and front seat passenger are operated by the decision of the diagnosis sensor unit (ACU) out signal transmitted because of the frontal collision.

STRUCTURE

It consists of crash zone sensor, diagnosis sensor unit (ACU), air bags and seat belt pre-tensioners for driver and front passenger.

INSTALLATION

Refer to [SR-20, "Removal and Installation"](#), [SR-24, "Removal and Installation"](#), [SR-11, "Removal and Installation"](#), [SR-16, "Removal and Installation"](#), [SB-7, "SEAT BELT RETRACTOR : Removal and Installation"](#).

DTC Logic

INFOID:000000008281474

DTC DETECTION LOGIC

With CONSULT

DTC No. Index ("SELF-DIAG [CURRENT]"), ("SELF-DIAG [PAST]" or "TROUBLE DIAG RECORD")

DTC No.	Trouble diagnosis name	DTC detecting condition	Possible cause
B1209	FRONTAL COLLISION DETECTION	Front seat belt pre-tensioner, front air bag is deployed.	—

DTC CONFIRMATION PROCEDURE (With CONSULT)

1.INSPECTION START

Turn ignition switch ON.

>> GO TO 2.

2.CHECK SELF-DIAG RESULT

Check the screen of CONSULT.

Is malfunctioning part detected?

- YES >> Refer to [SRC-156, "Diagnosis Procedure"](#).
- NO >> **INSPECTION END.**

Diagnosis Procedure

INFOID:000000008281475

WARNING:

- Before servicing, turn ignition switch OFF, disconnect battery negative terminal, and wait at least 3 minutes or more. (To discharge backup capacitor.)
- Never use unspecified tester or other measuring device.

1.PERFORM COLLISION DIAGNOSIS

Perform collision diagnosis.Refer to [SR-5, "FOR FRONTAL COLLISION : When SRS is activated in a collision"](#) or [SR-6, "FOR FRONTAL COLLISION : When SRS is not activated in a collision"](#).

Is collision diagnosis complete?

YES >> GO TO 2.

B1209 FRONTAL COLLISION DETECTION

< DTC/CIRCUIT DIAGNOSIS >

[FOR USA AND CANADA]

NO >> INSPECTION END

2.FINAL INSPECTION

Perform "AIR BAG" Self Diagnostic Result.

Is the inspection result normal?

YES >> INSPECTION END

NO >> Perform diagnosis of applicable DTC.Refer to [SRC-163, "DTC Index"](#).

A

B

C

D

E

F

G

SRC

I

J

K

L

M

N

O

P

B1210 SIDE COLLISION DETECTION

< DTC/CIRCUIT DIAGNOSIS >

[FOR USA AND CANADA]

B1210 SIDE COLLISION DETECTION

Description

INFOID:000000008281476

DTC B1210 SIDE COLLISION DETECTION

Detects component damage resulting from a side collision, brinks or illuminates the air bag warning lamp to inform the driver. Malfunctioning part can be detected by the CONSULT.

OPERATION

The side air bag and curtain air bag are operated by the decision of the diagnosis sensor unit (ACU) signal of the side collision.

STRUCTURE

It consists of satellite sensor, diagnosis sensor unit (ACU), front side air bag and side curtain air bag.

INSTALLATION

Refer to [SR-22. "Removal and Installation"](#), [SR-24. "Removal and Installation"](#), [SR-18. "Removal and Installation"](#).

DTC Logic

INFOID:000000008281477

DTC DETECTION LOGIC

With CONSULT

DTC No. Index ("SELF-DIAG [CURRENT]"), ("SELF-DIAG [PAST]" or "TROUBLE DIAG RECORD")

DTC No.	Trouble diagnosis name	DTC detecting condition	Possible cause
B1210	SIDE COLLISION DETECTION	Front side air bag, side curtain air bag is deployed.	—

DTC CONFIRMATION PROCEDURE (With CONSULT)

1.INSPECTION START

Turn ignition switch ON.

>> GO TO 2.

2.CHECK SELF-DIAG RESULT

Check the screen of CONSULT.

Is malfunctioning part detected?

YES >> Refer to [SRC-158. "Diagnosis Procedure"](#).

NO >> **INSPECTION END.**

Diagnosis Procedure

INFOID:000000008281478

WARNING:

- Before servicing, turn ignition switch OFF, disconnect battery negative terminal, and wait at least 3 minutes or more. (To discharge backup capacitor.)
- Never use unspecified tester or other measuring device.

1.PERFORM COLLISION DIAGNOSIS

Perform collision diagnosis.Refer to [SR-5. "FOR FRONTAL COLLISION : When SRS is activated in a collision"](#) or [SR-6. "FOR FRONTAL COLLISION : When SRS is not activated in a collision"](#).

Is collision diagnosis complete?

YES >> GO TO 2.

NO >> **INSPECTION END**

B1210 SIDE COLLISION DETECTION

< DTC/CIRCUIT DIAGNOSIS >

[FOR USA AND CANADA]

2. FINAL INSPECTION

Perform "AIR BAG" Self Diagnostic Result.

Is the inspection result normal?

YES >> INSPECTION END

NO >> Perform diagnosis of applicable DTC. Refer to [SRC-163. "DTC Index"](#).

A
B
C
D
E
F
G
I
J
K
L
M
N
O
P

SRC

B1211 ROLLOVER DETECTION

< DTC/CIRCUIT DIAGNOSIS >

[FOR USA AND CANADA]

B1211 ROLLOVER DETECTION

Description

INFOID:000000008281479

DTC B1211 ROLLOVER DETECTION

When detect a component damage resulting from a rollover, brinks or illuminates the air bag warning lamp to inform the driver. Malfunctioning can be detected by the CONSULT.

OPERATION

The front seat belt pre-tensioner and side curtain air bag are operated by the decision of the air bag diagnosis sensor unit signal of the rollover.

STRUCTURE

It consists of front seat belt pre-tensioner, side curtain air bag and air bag diagnosis sensor unit.

INSTALLATION

Refer to [SR-26. "Removal and Installation"](#), [SR-18. "Removal and Installation"](#) and [SR-24. "Removal and Installation"](#).

DTC Logic

INFOID:000000008281480

DTC DETECTION LOGIC

With CONSULT

DTC No. Index ("SELF-DIAG [CURRENT]"), ("SELF-DIAG [PAST]" or "TROUBLE DIAG RECORD")

DTC No.	Trouble diagnosis name	DTC detecting condition	Possible cause
B1211	ROLLOVER DETECTION	Front seat belt pre-tensioner. side curtain air bag module are deployed because of rollover detection	—

DTC CONFIRMATION PROCEDURE (With CONSULT)

1.INSPECTION START

Turn ignition switch ON.

>> GO TO 2.

2.CHECK SELF-DIAG RESULT

Check the screen of CONSULT.

Is malfunctioning part detected?

YES >> Refer to [SRC-160. "Diagnosis Procedure"](#).

NO >> **INSPECTION END.**

Diagnosis Procedure

INFOID:000000008281481

WARNING:

- Before servicing, turn ignition switch OFF, disconnect battery negative terminal, and wait at least 3 minutes or more. (To discharge backup capacitor.)
- Never use unspecified tester or other measuring device.

1.PERFORM COLLISION DIAGNOSIS

Perform collision diagnosis.Refer to [SR-7. "FOR SIDE AND ROLLOVER COLLISION : When SRS is activated in a collision"](#) or [SR-8. "FOR SIDE AND ROLLOVER COLLISION : When SRS is not activated in a collision"](#).

Is collision diagnosis complete?

YES >> GO TO 2.

NO >> INSPECTION END

B1211 ROLLOVER DETECTION

< DTC/CIRCUIT DIAGNOSIS >

[FOR USA AND CANADA]

2.FINAL INSPECTION

Perform "AIR BAG" Self Diagnostic Result.

Is the inspection result normal?

YES >> INSPECTION END

NO >> Perform diagnosis of applicable DTC.Refer to [SRC-163."DTC Index"](#).

A
B
C
D
E
F
G
I
J
K
L
M
N
O
P

SRC

B1218, B1219, B1220, B1221, B1222, B1223 DIAGNOSIS SENSOR UNIT

< DTC/CIRCUIT DIAGNOSIS >

[FOR USA AND CANADA]

B1218, B1219, B1220, B1221, B1222, B1223 DIAGNOSIS SENSOR UNIT

DTC Logic

INFOID:000000008281482

DTC DETECTION LOGIC

DTC	Display contents of CONSULT	DTC detecting condition	Possible cause
B1218 B1219 B1220 B1221 B1222 B1223	CONTROL UNIT	Air bag diagnosis sensor unit is malfunctioning	Malfunction in air bag diagnosis sensor unit

DTC CONFIRMATION PROCEDURE

1. CHECK SELF-DIAG RESULT

With CONSULT

1. Turn ignition switch ON.
2. Perform "Self Diagnostic Result" mode of "AIR BAG" using CONSULT.

Without CONSULT

1. Turn ignition switch ON.
2. Check the air bag warning lamp status. Refer to [SRC-18, "Diagnosis Description"](#).

NOTE:

SRS does not enter the diagnosis mode if no malfunction is detected in the user mode.

Is malfunctioning part detected?

- YES >> Refer to [SRC-162, "Diagnosis Procedure"](#).
NO >> INSPECTION END

Diagnosis Procedure

INFOID:000000008281483

WARNING:

- Before servicing, turn ignition switch OFF, disconnect battery negative terminal, and wait at least 3 minutes or more. (To discharge backup capacitor.)
- Never use unspecified tester or other measuring device.

1. CHECK HARNESS CONNECTOR

Check the harness connector.

Is the inspection result normal?

- YES >> GO TO 2.
NO >> Replace harness connectors.

2. CHECK WIRING HARNESS

Check the wiring harness externals.

Is the inspection result normal?

- YES >> GO TO 3.
NO >> Replace wiring harness.

3. REPLACE AIR BAG DIAGNOSIS SENSOR UNIT

1. Replace air bag diagnosis sensor unit. Refer to [SR-24, "Removal and Installation"](#).
2. Perform DTC confirmation procedure. Refer to [SRC-162, "DTC Logic"](#).

Is DTC detected?

- YES >> GO TO 1.
NO >> INSPECTION END

DIAGNOSIS SENSOR UNIT

< ECU DIAGNOSIS INFORMATION >

[FOR USA AND CANADA]

ECU DIAGNOSIS INFORMATION

DIAGNOSIS SENSOR UNIT

DTC Index

INFOID:000000008281484

DTC No. Index (With CONSULT)

(“SELF-DIAG [CURRENT]”), (“SELF-DIAG [PAST]” or “TROUBLE DIAG RECORD”)

NOTE:

Follow the procedures in numerical order when repairing malfunctioning parts. Confirm whether malfunction is eliminated using air bag warning lamp or CONSULT each time repair is completed. If malfunction is still observed, proceed to the next step. When malfunction is eliminated, further repair work is not required.

Diagnostic item	Explanation		Repair order “Recheck SRS at each replacement”
NO DTC IS DETECTED.	When malfunction is indicated by the “AIR BAG” warning lamp in User mode.	Low battery voltage (Less than 9 V)	—
		<ul style="list-style-type: none"> Self-diagnosis result “SELF-DIAG [PAST]” (previously stored in the memory) might not be erased after repair. Intermittent malfunction has been detected in the past. 	Go to SRC-18, "Diagnosis Description" .
	No malfunction is detected.		—
CONTROL UNIT [B1001-B1015]	Diagnosis sensor is out of order.		Replace diagnosis sensor unit (ACU).
OCCUPANT SENS C/U [UNIT FAIL] [B1017] [B1020] [B1021]	Trouble occurs in OCS-CU.		<ol style="list-style-type: none"> Repair or replace wiring harness / harness connector. Replace front passenger seat cushion and occupant classification system control unit as an assembly. Replace diagnosis sensor unit (ACU).
OCCUPANT SENS [UNIT FAIL] [B1018]	Trouble occurs in OCS-SENS.		<ol style="list-style-type: none"> Repair or replace wiring harness / harness connector. Replace front passenger seat cushion and occupant classification system control unit as an assembly. Replace diagnosis sensor unit (ACU).
OCCUPANT SENS C/U [COMM FAIL] [B1022]	Trouble occurs in OCS-CU, circuit of OCS-CU~ACU, or ACU.		<ol style="list-style-type: none"> Repair or replace wiring harness / harness connector. Replace front passenger seat cushion and occupant classification system control unit as an assembly. Replace diagnosis sensor unit (ACU).
PASS A/B INDCTR CKT [B1023]	Cut-off telltale circuit is open or shorted to ground or the circuits are shorted each other.		<ol style="list-style-type: none"> Repair or replace wiring harness / harness connector. Replace passenger air bag off indicator. Replace diagnosis sensor unit (ACU).
CONTROL UNIT [B1026-B1031]	Diagnosis sensor is out of order.		Replace diagnosis sensor unit (ACU).

DIAGNOSIS SENSOR UNIT

< ECU DIAGNOSIS INFORMATION >

[FOR USA AND CANADA]

Diagnostic item	Explanation	Repair order "Recheck SRS at each replacement"
CRASH ZONE SEN [UNIT FAIL] [B1033] [B1034] CRASH ZONE SEN [COMM FAIL] [B1035] [UNMATCH] [B1036] [OPEN/UPR-VB-SHORT] [B1038] [SHORT/UPR-GND-SHORT] [B1040]	Crash zone sensor is out of order.	1. Repair or replace wiring harness / harness connector. 2. Replace crash zone sensor. 3. Replace diagnosis sensor unit (ACU).
CONTROL UNIT [B1042-B1047]	Diagnosis sensor is out of order.	Replace diagnosis sensor unit (ACU).
DRIVER AIRBAG MODULE [OPEN] [B1049] [B1054]	Driver air bag module circuit is open. (including the spiral cable.)	1. Repair or replace wiring harness/harness connector. 2. Replace driver air bag module. 3. Replace spiral cable. Refer to SRC-45. "Diagnosis Procedure" . 4. Replace diagnosis sensor unit (ACU).
DRIVER AIRBAG MODULE [VB-SHORT] [B1050] [B1055]	Driver air bag module circuit is shorted to some power supply circuit. (including the spiral cable.)	4. Replace diagnosis sensor unit (ACU).
DRIVER AIRBAG MODULE [GND-SHORT] [B1051] [B1056]	Driver air bag module circuit is shorted to ground. (including the spiral cable.)	
DRIVER AIRBAG MODULE [SHORT] [B1052] [B1057]	<ul style="list-style-type: none"> • Driver air bag module circuits are shorted to each other. (including spiral cable.) • Driver air bag module circuit is shorted to itself. 	
CONTROL UNIT [B1058-B1063]	Diagnosis sensor is out of order.	Replace diagnosis sensor unit (ACU).
ASSIST A/B MODULE [OPEN] [B1065] [B1070]	Front passenger air bag module circuit is open.	1. Repair or replace wiring harness/harness connector. 2. Replace front passenger air bag module.
ASSIST A/B MODULE [VB-SHORT] [B1066] [B1071]	Front passenger air bag module circuit is shorted to some power supply circuit.	3. Replace diagnosis sensor unit (ACU).
ASSIST A/B MODULE [GND-SHORT] [B1067] [B1072]	Front passenger air bag module circuit is shorted to ground.	
ASSIST A/B MODULE [SHORT] [B1068] [B1073]	<ul style="list-style-type: none"> • Front passenger air bag module circuits are shorted to each other. • Front passenger air bag module circuit is shorted to itself. 	
CONTROL UNIT [B1074-B1079]	Diagnosis sensor is out of order.	Replace diagnosis sensor unit (ACU).

DIAGNOSIS SENSOR UNIT

< ECU DIAGNOSIS INFORMATION >

[FOR USA AND CANADA]

Diagnostic item	Explanation	Repair order "Recheck SRS at each replacement"	
PRE-TEN FRONT RH [OPEN] [B1081]	Front RH seat belt pre-tensioner circuit is open.	<ol style="list-style-type: none"> 1. Repair or replace wiring harness/harness connector. 2. Replace front RH seat belt pre-tensioner. 3. Replace diagnosis sensor unit (ACU). 	A
PRE-TEN FRONT RH [VB-SHORT] [B1082]	Front RH seat belt pre-tensioner circuit is shorted to some power supply circuit.		B
PRE-TEN FRONT RH [GND-SHORT] [B1083]	Front RH seat belt pre-tensioner circuit is shorted to ground.		C
PRE-TEN FRONT RH [SHORT] [B1084]	<ul style="list-style-type: none"> • Front RH seat belt pre-tensioner circuits are shorted to each other. • Front RH seat belt pre-tensioner circuit is shorted to itself. 		D
PRE-TEN FRONT LH [OPEN] [B1086]	Front LH seat belt pre-tensioner circuit is open.	<ol style="list-style-type: none"> 1. Repair or replace wiring harness/harness connector. 2. Replace front LH seat belt pre-tensioner. 3. Replace diagnosis sensor unit (ACU). 	E
PRE-TEN FRONT LH [VB-SHORT] [B1087]	Front LH seat belt pre-tensioner circuit is shorted to some power supply circuit.		F
PRE-TEN FRONT LH [GND-SHORT] [B1088]	Front LH seat belt pre-tensioner circuit is shorted to ground.		G
PRE-TEN FRONT LH [SHORT] [B1089]	<ul style="list-style-type: none"> • Front LH seat belt pre-tensioner circuits are shorted to each other. • Front LH seat belt pre-tensioner circuit is shorted to itself. 		H
CONTROL UNIT [B1091-B1093]	Diagnosis sensor is out of order.	Replace diagnosis sensor unit (ACU).	I
CONTROL UNIT [B1106-B1111]	Diagnosis sensor is out of order.	Replace diagnosis sensor unit (ACU).	J
SATELLITE SENS RH [UNIT FAIL] [B1113] [B1114] SATELLITE SENS RH [COMM FAIL] [B1115] [UNMATCH] [B1116]	RH satellite sensor is out of order.	<ol style="list-style-type: none"> 1. Repair or replace wiring harness/harness connector. 2. Replace RH satellite sensor. 3. Replace diagnosis sensor unit (ACU). 	K
SATELLITE SENS LH [UNIT FAIL] [B1118] [B1119] SATELLITE SENS LH [COMM FAIL] [B1120] [UNMATCH] [B1121]	LH satellite sensor is out of order.		L
SATELLITE SENS LH [UNIT FAIL] [B1118] [B1119] SATELLITE SENS LH [COMM FAIL] [B1120] [UNMATCH] [B1121]	LH satellite sensor is out of order.	<ol style="list-style-type: none"> 1. Repair or replace wiring harness/harness connector. 2. Replace LH satellite sensor. 3. Replace diagnosis sensor unit (ACU). 	M
CONTROL UNIT [B1122-B1127]	Diagnosis sensor is out of order.		N
CONTROL UNIT [B1122-B1127]	Diagnosis sensor is out of order.	Replace diagnosis sensor unit (ACU).	O
			P

SRC

DIAGNOSIS SENSOR UNIT

< ECU DIAGNOSIS INFORMATION >

[FOR USA AND CANADA]

Diagnostic item	Explanation	Repair order "Recheck SRS at each replacement"
SIDE MODULE RH [OPEN] [B1129]	Front RH side air bag module circuit is open.	<ol style="list-style-type: none"> 1. Repair or replace wiring harness/harness connector. 2. Replace front RH side air bag module. 3. Replace diagnosis sensor unit (ACU).
SIDE MODULE RH [VB-SHORT] [B1130]	Front RH side air bag module circuit is shorted to some power supply circuit.	
SIDE MODULE RH [GND-SHORT] [B1131]	Front RH side air bag module circuit is shorted to ground.	
SIDE MODULE RH [SHORT] [B1132]	<ul style="list-style-type: none"> • Front LH seat belt pre-tensioner circuits are shorted to each other. • Front LH seat belt pre-tensioner circuit is shorted to itself. 	
SIDE MODULE LH [OPEN] [B1134]	Front LH side air bag module circuit is open.	<ol style="list-style-type: none"> 1. Repair or replace wiring harness/harness connector. 2. Replace front LH side air bag module. 3. Replace diagnosis sensor unit (ACU).
SIDE MODULE LH [VB-SHORT] [B1135]	Front LH side air bag module circuit is shorted to some power supply circuit.	
SIDE MODULE LH [GND-SHORT] [B1136]	Front LH side air bag module circuit is shorted to ground.	
SIDE MODULE LH [SHORT] [B1137]	<ul style="list-style-type: none"> • Front LH side air bag module circuits are shorted to each other. • Front LH side air bag module circuit is shorted to itself. 	
CONTROL UNIT [B1138-B1143]	Diagnosis sensor is out of order.	Replace diagnosis sensor unit (ACU).
CURTAIN MODULE RH [OPEN] [B1145]	RH side curtain air bag module circuit is open.	<ol style="list-style-type: none"> 1. Repair or replace wiring harness/harness connector. 2. Replace RH side curtain air bag module. 3. Replace diagnosis sensor unit (ACU).
CURTAIN MODULE RH [VB-SHORT] [B1146]	RH side curtain air bag module circuit is shorted to some power supply circuit.	
CURTAIN MODULE RH [GND-SHORT] [B1147]	RH side curtain air bag module circuit is shorted to ground.	
CURTAIN MODULE RH [SHORT] [B1148]	<ul style="list-style-type: none"> • RH side curtain air bag module circuits are shorted to each other. • RH side curtain air bag module circuit is shorted to itself. 	
CURTAIN MODULE LH [OPEN] [B1150]	LH side curtain air bag module circuit is open.	<ol style="list-style-type: none"> 1. Repair or replace wiring harness/harness connector. 2. Replace LH side curtain air bag module. 3. Replace diagnosis sensor unit (ACU).
CURTAIN MODULE LH [VB-SHORT] [B1151]	LH side curtain air bag module circuit is shorted to some power supply circuits.	
CURTAIN MODULE LH [GND-SHORT] [B1152]	LH side curtain air bag module circuit is shorted to ground.	
CURTAIN MODULE LH [SHORT] [B1153]	<ul style="list-style-type: none"> • LH side curtain air bag module circuits are shorted to each other. • LH side curtain air bag module circuit is shorted to itself. 	
CONTROL UNIT [B1155-B1157]	Diagnosis sensor is out of order.	Replace diagnosis sensor unit (ACU).

DIAGNOSIS SENSOR UNIT

< ECU DIAGNOSIS INFORMATION >

[FOR USA AND CANADA]

Diagnostic item	Explanation	Repair order "Recheck SRS at each replacement"
CONTROL UNIT [B1170-B1175]	Diagnosis sensor is out of order.	Replace diagnosis sensor unit (ACU).
PRE-TEN2 FRONT RH [OPEN] [B1177]	Front RH seat belt pre-tensioner 2 circuit is open.	<ol style="list-style-type: none"> 1. Repair or replace wiring harness/harness connector. 2. Replace front RH seat belt pre-tensioner 2. 3. Replace diagnosis sensor unit (ACU).
PRE-TEN2 FRONT RH [VB-SHORT] [B1178]	Front RH seat belt pre-tensioner 2 circuit is shorted to some power supply circuit.	
PRE-TEN2 FRONT RH [GND-SHORT] [B1179]	Front RH seat belt pre-tensioner 2 circuit is shorted to ground.	
PRE-TEN2 FRONT RH [SHORT] [B1180]	<ul style="list-style-type: none"> • Front RH seat belt pre-tensioner 2 circuits are shorted to each other. • Front RH seat belt pre-tensioner 2 circuit is shorted to itself. 	
PRE-TEN2 FRONT LH [OPEN] [B1182]	Front LH seat belt pre-tensioner 2 circuit is open.	<ol style="list-style-type: none"> 1. Repair or replace wiring harness/harness connector. 2. Replace front LH seat belt pre-tensioner 2. 3. Replace diagnosis sensor unit (ACU).
PRE-TEN2 FRONT LH [VB-SHORT] [B1183]	Front LH seat belt pre-tensioner 2 circuit is shorted to some power supply circuit.	
PRE-TEN2 FRONT LH [GND-SHORT] [B1184]	Front LH seat belt pre-tensioner 2 circuit is shorted to ground.	
PRE-TEN2 FRONT LH [SHORT] [B1185]	<ul style="list-style-type: none"> • Front LH seat belt pre-tensioner 2 circuits are shorted to each other. • Front LH seat belt pre-tensioner 2 circuit is shorted to itself. 	
CONTROL UNIT [B1187-B1189]	Diagnosis sensor is out of order.	Replace diagnosis sensor unit (ACU).
CONTROL UNIT [B1202-B1207]	Diagnosis sensor is out of order.	Replace diagnosis sensor unit (ACU).
FRONTAL COLLISION DETECTION [B1209]	Seat belt pre-tensioner and front air bag is deployed.	Go to SRC-156, "Diagnosis Procedure" .
SIDE COLLISION DE- TECTION [B1210]	Side and curtain air bag is deployed.	Go to SRC-158, "Diagnosis Procedure" .
ROLLOVER DETEC- TION [B1211]	Seat belt pre-tensioner and side and curtain air bag is deployed.	Go to SRC-160, "Diagnosis Procedure" .
CONTROL UNIT [B1218-B1223]	Diagnosis sensor is out of order.	Replace diagnosis sensor unit (ACU).

WARNING LAMP FLASH CODE CHART (Without CONSULT)

NOTE:

A
B
C
D
E
F
G
I
J
K
L
M
N
O
P

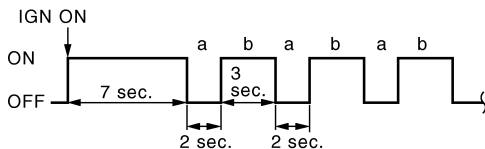
SRC

DIAGNOSIS SENSOR UNIT

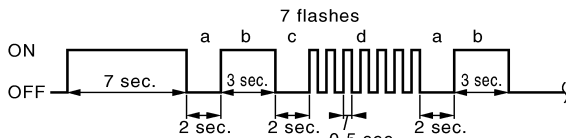
< ECU DIAGNOSIS INFORMATION >

[FOR USA AND CANADA]

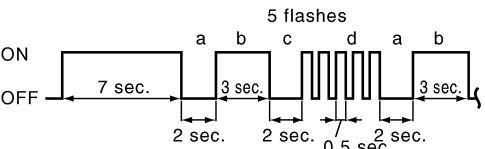
Follow the procedures in numerical order when repairing malfunctioning parts. Confirm whether malfunction is eliminated using air bag warning lamp or CONSULT each time repair is completed. If malfunction is still observed, proceed to the next step. When malfunction is eliminated, further repair work is not required.

<Diagnosis results (previously stored in the memory) might not be erased after repair or intermittent malfunctions have been detected in the past.>	
Flash pattern a through b are repeated. IGN ON 	Repair order 1. Erase memory. (Once key switch is turned from OFF to ON, TROUBLE DIAG RECORD will be erased.)

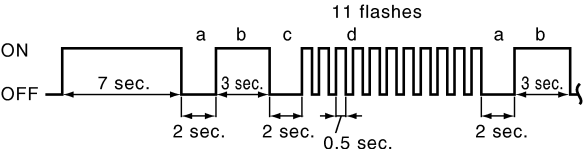
PHIA0532E

<Diagnosis sensor unit>	
Flash pattern a through d are repeated. d: Seven flashes indicate malfunctioning diagnosis sensor unit circuit.	Repair order 1. Replace the diagnosis sensor unit (ACU).
	

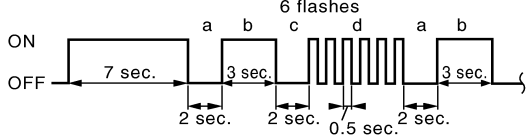
JMHA0034GB

<Occupant classification system>	
Flash pattern a through d are repeated. d: Five flashes indicate malfunctioning OCS control unit.	Repair order 1. Visually check the wiring harness connection. 2. Replace the harness if it has visible damage. 3. Replace front passenger seat cushion and occupant classification system control unit as an assembly. 4. Replace the diagnosis sensor unit (ACU).
	

JMHA0045GB

<Front passenger air bag off indicator>	
Flash pattern a through d are repeated. d: Eleven flashes indicate malfunctioning front passenger air bag off indicator.	Repair order 1. Visually check the wiring harness connection. 2. Replace the harness if it has visible damage. 3. Replace front passenger air bag off indicator unit. 4. Replace the diagnosis sensor unit (ACU).
	

JMHA0046GB

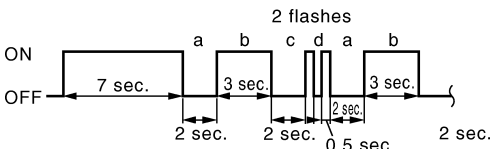
<Crash zone sensor>	
Flash pattern a through d are repeated. d: Six flashes indicate malfunctioning crash zone sensor circuit.	Repair order 1. Visually check the wiring harness connection. 2. Replace the harness if it has visible damage. 3. Replace the crash zone sensor. 4. Replace the diagnosis sensor unit.
	

JMHA0036GB

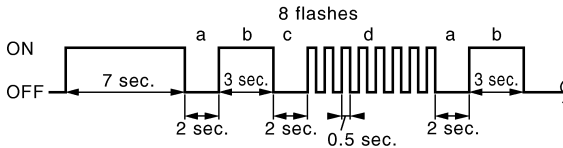
DIAGNOSIS SENSOR UNIT

< ECU DIAGNOSIS INFORMATION >

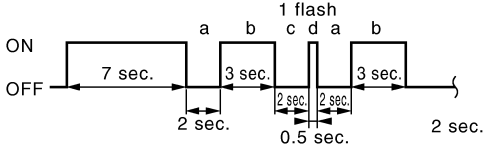
[FOR USA AND CANADA]

<Driver air bag module>	
Flash pattern	Repair order
<p>a through d are repeated. d: Two flashes indicate malfunctioning driver air bag module circuit.</p> 	<ol style="list-style-type: none"> 1. Visually check the wiring harness connection. 2. Replace the harness if it has visible damage. 3. Replace the driver air bag module. 4. Replace the spiral cable. 5. Replace the diagnosis sensor unit (ACU).

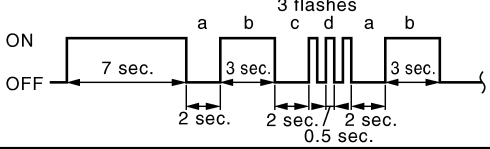
JMHIA0033GB

<Front passenger air bag module>	
Flash pattern	Repair order
<p>a through d are repeated. d: Eight flashes indicate malfunctioning front passenger air bag module circuit.</p> 	<ol style="list-style-type: none"> 1. Visually check the wiring harness connection. 2. Replace the harness if it has visible damage. 3. Replace the front passenger air bag module. 4. Replace the diagnosis sensor unit (ACU).

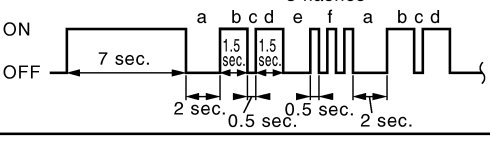
JMHIA0035GB

<Front RH seat belt pre-tensioner>	
Flash pattern	Repair order
<p>a through d are repeated. d: One flash indicates malfunctioning front RH seat belt pre-tensioner circuit.</p> 	<ol style="list-style-type: none"> 1. Visually check the wiring harness connections. 2. Replace the harness if it has visible damage. 3. Replace the front RH seat belt. 4. Replace the diagnosis sensor unit (ACU).

JMHIA0037GB

<Front LH seat belt pre-tensioner>	
Flash pattern	Repair order
<p>a through d are repeated. d: Three flashes indicate malfunctioning front LH seat belt pre-tensioner circuit.</p> 	<ol style="list-style-type: none"> 1. Visually check the wiring harness connections. 2. Replace the harness if it has visible damage. 3. Replace the front LH seat belt. 4. Replace the diagnosis sensor unit (ACU).

JMHIA0038GB

<RH side air bag (Satellite) sensor>	
Flash pattern	Repair order
<p>a through f are repeated. f: Three flashes indicate malfunctioning RH side air bag (Satellite) sensor circuit.</p> 	<ol style="list-style-type: none"> 1. Visually check the wiring harness connection. 2. Replace the harness if it has visible damage. 3. Replace the RH side air bag (Satellite) sensor. 4. Replace the diagnosis sensor unit.

JMHIA0039GB

A
B
C
D
E
F
G
I
J
K
L
M
N
O
P

SRC

DIAGNOSIS SENSOR UNIT

< ECU DIAGNOSIS INFORMATION >

[FOR USA AND CANADA]

Flash pattern	Repair order
<p><LH side air bag (Satellite) sensor></p> <p>a through f are repeated. f: Four flashes indicate malfunctioning LH side air bag (Satellite) sensor.</p>	<ol style="list-style-type: none"> 1. Visually check the wiring harness connection. 2. Replace the harness if it has visible damage. 3. Replace the LH side air bag (Satellite) sensor. 4. Replace the diagnosis sensor unit.

JMHA0040GB

Flash pattern	Repair order
<p><Front RH side air bag module></p> <p>a through f are repeated. f: One flash indicates malfunctioning front RH side air bag module circuit.</p>	<ol style="list-style-type: none"> 1. Visually check the wiring harness connection. 2. Replace the harness if it has visible damage. 3. Replace the front RH side air bag module. 4. Replace the diagnosis sensor unit (ACU).

JMHA0041GB

Flash pattern	Repair order
<p><Front LH side air bag module></p> <p>a through f are repeated. f: Two flashes indicate malfunctioning front LH side air bag module circuit.</p>	<ol style="list-style-type: none"> 1. Visually check the wiring harness connection. 2. Replace the harness if it has visible damage. 3. Replace the front LH side air bag module. 4. Replace the diagnosis sensor unit (ACU).

JMHA0042GB

Flash pattern	Repair order
<p><RH side curtain air bag module></p> <p>a through f are repeated. f: Five flashes indicate malfunctioning RH side curtain air bag module circuit.</p>	<ol style="list-style-type: none"> 1. Visually check the wiring harness connection. 2. Replace the harness if it has visible damage. 3. Replace the RH side curtain air bag module. 4. Replace the diagnosis sensor unit (ACU).

JMHA0043GB

Flash pattern	Repair order
<p><LH side curtain air bag module></p> <p>a through f are repeated. f: Six flashes indicate malfunctioning LH side curtain air bag module circuit.</p>	<ol style="list-style-type: none"> 1. Visually check the wiring harness connection. 2. Replace the harness if it has visible damage. 3. Replace the LH side curtain air bag module. 4. Replace the diagnosis sensor unit (ACU).

JMHA0044GB

DIAGNOSIS SENSOR UNIT

< ECU DIAGNOSIS INFORMATION >

[FOR USA AND CANADA]

<Front RH seat belt pre-tensioner 2>	
Flash pattern	Repair order
<p>a through d are repeated. d: Twelve flashes indicates malfunctioning front RH seat belt pre-tensioner 2 circuit.</p> <p>ON OFF</p> <p>7 sec. 2 sec. 3 sec. 2 sec. 12 flashes 0.5 sec. 3 sec. 2 sec. 2 sec.</p>	<ol style="list-style-type: none"> 1. Visually check the wiring harness connections. 2. Replace the harness if it has visible damage. 3. Replace the front RH seat belt pre-tensioner 2. 4. Replace the diagnosis sensor unit (ACU).

JMHIA0223GB

<Front LH seat belt pre-tensioner 2>	
Flash pattern	Repair order
<p>a through d are repeated. d: Thirteen flashes indicate malfunctioning front LH seat belt pre-tensioner 2 circuit.</p> <p>ON OFF</p> <p>7 sec. 2 sec. 3 sec. 2 sec. 13 flashes 0.5 sec. 3 sec. 2 sec. 2 sec.</p>	<ol style="list-style-type: none"> 1. Visually check the wiring harness connections. 2. Replace the harness if it has visible damage. 3. Replace the front LH seat belt pre-tensioner 2. 4. Replace the diagnosis sensor unit (ACU).

JMHIA0222GB

A
B
C
D
E
F
G
I
J
K
L
M
N
O
P

SRC

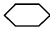
DIAGNOSIS SENSOR UNIT

< ECU DIAGNOSIS INFORMATION >

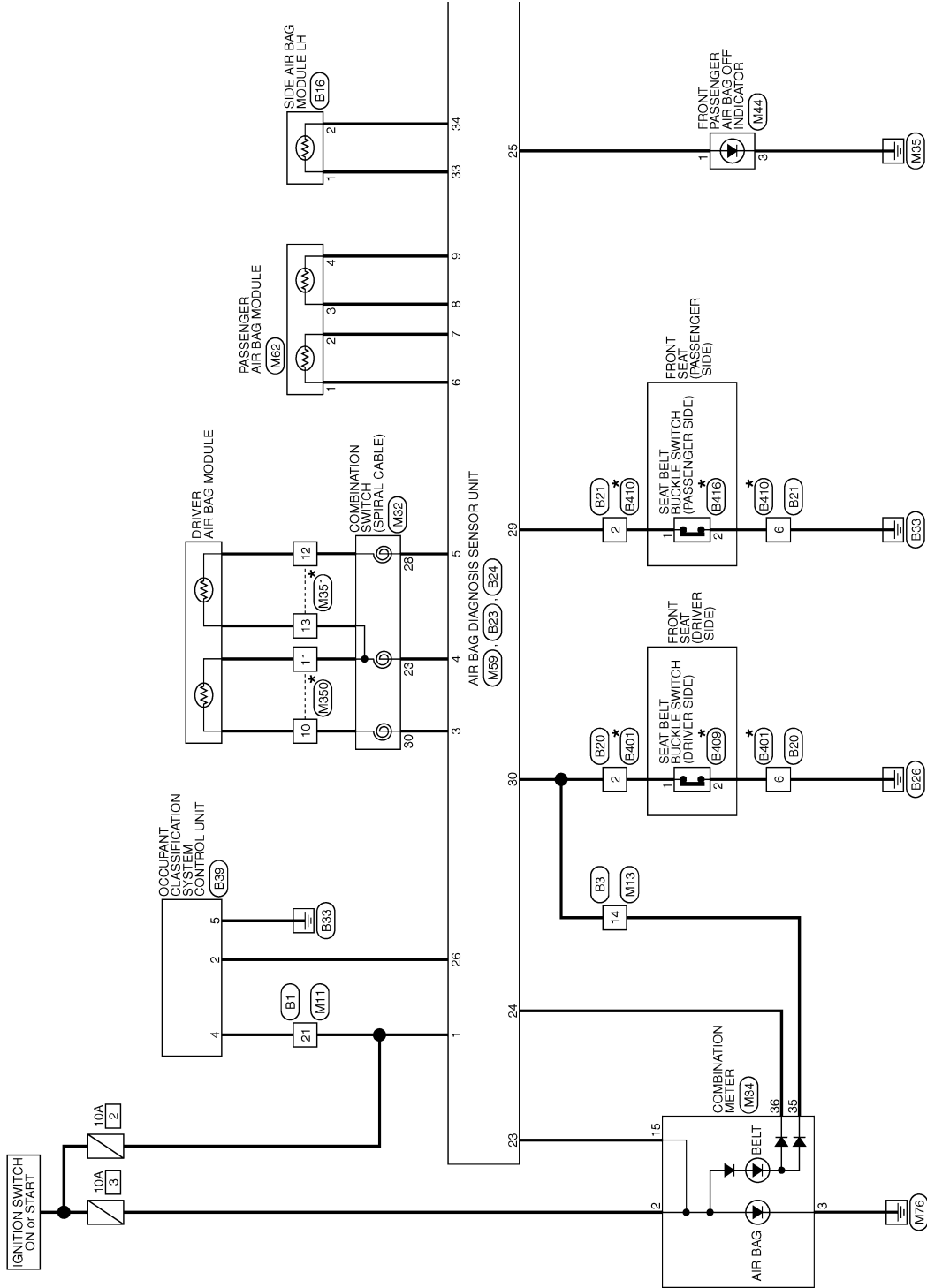
[FOR USA AND CANADA]

Wiring Diagram — SRS AIR BAG CONTROL SYSTEM —

INFOID:000000008281485

For connector terminal arrangements, harness layouts, and alphabets in a  (option abbreviation; if not described in wiring diagram), refer to [GI-12, "Connector Information"](#).

SRS AIR BAG CONTROL SYSTEM (WITH ADVANCED AIR BAG)



*: This connector is not shown in "Harness Layout".

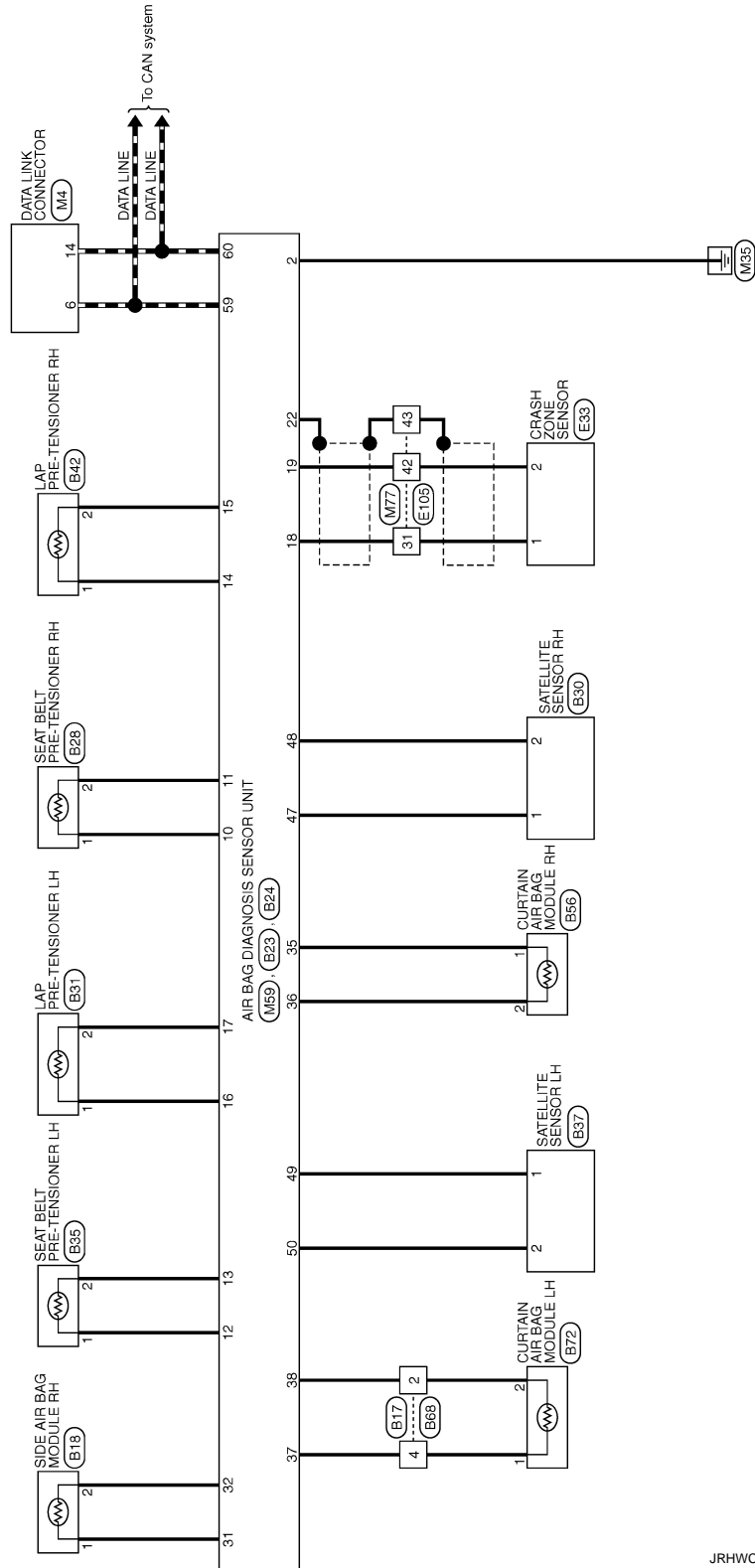
2012/05/23

JRHWC0261GB

DIAGNOSIS SENSOR UNIT

< ECU DIAGNOSIS INFORMATION >

[FOR USA AND CANADA]



A
B
C
D
E
F
G
SRC
I
J
K
L
M
N
O
P

JRHWC0262GB

SRS AIR BAG WARNING LAMP DOES NOT TURN OFF

< SYMPTOM DIAGNOSIS >

[FOR USA AND CANADA]

SYMPTOM DIAGNOSIS

SRS AIR BAG WARNING LAMP DOES NOT TURN OFF

Diagnosis Procedure

INFOID:000000008281486

1. CHECK AIR BAG MODULE

Check the deployment of air bag module.

Is air bag module deployed?

YES >> Refer to or [SR-5. "FOR FRONTAL COLLISION : When SRS is activated in a collision"](#) or [SR-7. "FOR SIDE AND ROLLOVER COLLISION : When SRS is activated in a collision"](#).

NO >> GO TO 2.

2. CHECK AIR BAG FUSE

Check the air bag fuse. Refer to [PG-98. "Fuse and Fusible Link Arrangement"](#).

Is 10A fuse [No.2, located in fuse block (J/B)] normal?

YES >> GO TO 4.

NO >> GO TO 3.

3. CHECK AIR BAG FUSE AGAIN

Replace air bag fuse and turn ignition switch ON.

Did the air bag fuse blow again?

YES >> Repair or replace main harness.

NO >> **INSPECTION END**

4. CHECK DIAGNOSIS SENSOR UNIT

Check the screen of CONSULT.

Is the inspection result normal?

YES >> GO TO 5.

NO >> Replace diagnosis sensor unit (ACU). Refer to [SR-24. "Exploded View"](#).

5. CHECK HARNESS CONNECTION

Check harness connection between air bag warning lamp and diagnosis sensor unit.

Is the inspection result normal?

YES >> Check the intermittent incident. Refer to [GI-46. "Intermittent Incident"](#).

NO >> Replace wiring harness connector.

SRS AIR BAG WARNING LAMP DOES NOT TURN ON

< SYMPTOM DIAGNOSIS >

[FOR USA AND CANADA]

SRS AIR BAG WARNING LAMP DOES NOT TURN ON

Diagnosis Procedure

INFOID:000000008281487

1.CHECK METER FUSE

Check the meter fuse. Refer to [PG-98, "Fuse and Fusible Link Arrangement"](#).

Is 10A fuse [No.4, located in fuse block (J/B)] normal?

YES >> GO TO 3.

NO >> GO TO 2.

2.CHECK METER FUSE AGAIN

Replace 10A fuse [No.4, located in fuse block (J/B)] and turn ignition switch ON.

Did the meter fuse blow again?

YES >> Repair or replace the related harness.

NO >> **INSPECTION END**

3.CHECK HARNESS CONNECTION

1. Check harness connection between diagnosis sensor unit and combination meter.

2. Disconnect diagnosis sensor unit connector and turn ignition switch ON.

Did air bag warning lamp turn ON?

YES >> Replace diagnosis sensor unit (ACU). Refer to [SR-24, "Exploded View"](#).

NO >> Replace combination meter assembly. Refer to [MWI-69, "Removal and Installation"](#).

A
B
C
D
E
F
G
I
J
K
L
M
N
O
P

SRC

PASSENGER SEAT BELT WARNING SYSTEM

< SYMPTOM DIAGNOSIS >

[FOR USA AND CANADA]

PASSENGER SEAT BELT WARNING SYSTEM

Diagnosis Procedure

INFOID:000000008281488

1.CHECK THE SYSTEM 1

Check the seat belt warning lamp function.

Sea tbelt warning lamp turns ON in the following conditions.

- Driver seat belt is fastened.
- Occupant is on passenger seat.
- Passenger seat belt is not fasten.

Is the inspection result normal?

YES >> GO TO 2.

NO >> Check the followings.

- Harness between air bag diagnosis sensor unit and combination meter.
- Seat belt buckle switch (passenger side) circuit.
- Seat belt buckle switch (passenger side).

If these are OK, replace air bag diagnosis sensor unit.

2.CHECK THE SYSTEM 2

Check the seat belt warning lamp function.

Seat belt warning lamp turns OFF in the following conditions.

- Driver seat belt is fastened.
- Occupant is on passenger seat.
- Passenger seat belt is fastened.

Is the inspection result normal?

YES >> System is OK.

NO >> Check the followings.

- Seat belt buckle switch (passenger side) circuit.
- Seat belt buckle switch (passenger side).

If these are OK, replace air bag diagnosis sensor unit.

PRECAUTION

PRECAUTIONS

Precaution for Supplemental Restraint System (SRS) "AIR BAG" and "SEAT BELT PRE-TENSIONER"

INFOID:000000008281489

The Supplemental Restraint System such as "AIR BAG" and "SEAT BELT PRE-TENSIONER", used along with a front seat belt, helps to reduce the risk or severity of injury to the driver and front passenger for certain types of collision. This system includes seat belt switch inputs and dual stage front air bag modules. The SRS system uses the seat belt switches to determine the front air bag deployment, and may only deploy one front air bag, depending on the severity of a collision and whether the front occupants are belted or unbelted. Information necessary to service the system safely is included in the "SRS AIR BAG" and "SEAT BELT" of this Service Manual.

WARNING:

Always observe the following items for preventing accidental activation.

- To avoid rendering the SRS inoperative, which could increase the risk of personal injury or death in the event of a collision that would result in air bag inflation, all maintenance must be performed by an authorized NISSAN/INFINITI dealer.
- Improper maintenance, including incorrect removal and installation of the SRS, can lead to personal injury caused by unintentional activation of the system. For removal of Spiral Cable and Air Bag Module, see "SRS AIR BAG".
- Never use electrical test equipment on any circuit related to the SRS unless instructed to in this Service Manual. SRS wiring harnesses can be identified by yellow and/or orange harnesses or harness connectors.

PRECAUTIONS WHEN USING POWER TOOLS (AIR OR ELECTRIC) AND HAMMERS

WARNING:

Always observe the following items for preventing accidental activation.

- When working near the Air Bag Diagnosis Sensor Unit or other Air Bag System sensors with the ignition ON or engine running, never use air or electric power tools or strike near the sensor(s) with a hammer. Heavy vibration could activate the sensor(s) and deploy the air bag(s), possibly causing serious injury.
- When using air or electric power tools or hammers, always switch the ignition OFF, disconnect the battery, and wait at least 3 minutes before performing any service.

Service

INFOID:000000008281490

- Do not use electrical test equipment to check SRS circuits unless instructed to in this Service Manual.
- Before servicing the SRS, turn ignition switch OFF, disconnect both battery cables and wait at least 3 minutes.
For approximately 3 minutes after the cables are removed, it is still possible for the air bag and seat belt pretensioner to deploy. Therefore, do not work on any SRS connectors or wires until at least 3 minutes have elapsed.
- Diagnosis sensor unit must always be installed with their arrow marks "⇐" pointing towards the front of the vehicle for proper operation. Also check diagnosis sensor unit for cracks, deformities or rust before installation and replace as required.
- The spiral cable must be aligned in the neutral position since its rotations are limited. Do not turn steering wheel and column after removal of steering gear.
- Handle air bag module carefully. Always place driver and front passenger air bag modules with the pad side facing upward and seat mounted front side air bag module standing with the stud bolt side facing down.
- Conduct self-diagnosis to check entire SRS for proper functioning after replacing any components.
- After air bag inflates, the front instrument panel assembly should be replaced if damaged.
- Always replace instrument panel pad following front passenger air bag deployment.

Occupant Classification System Precaution

INFOID:000000008281491

- Replace occupant classification system control unit and passenger front seat cushion as an assembly. Refer to [SE-23, "Removal and Installation"](#).

A
B
C
D
E
F
G
I
J
K
L
M
N
O
P

SRC

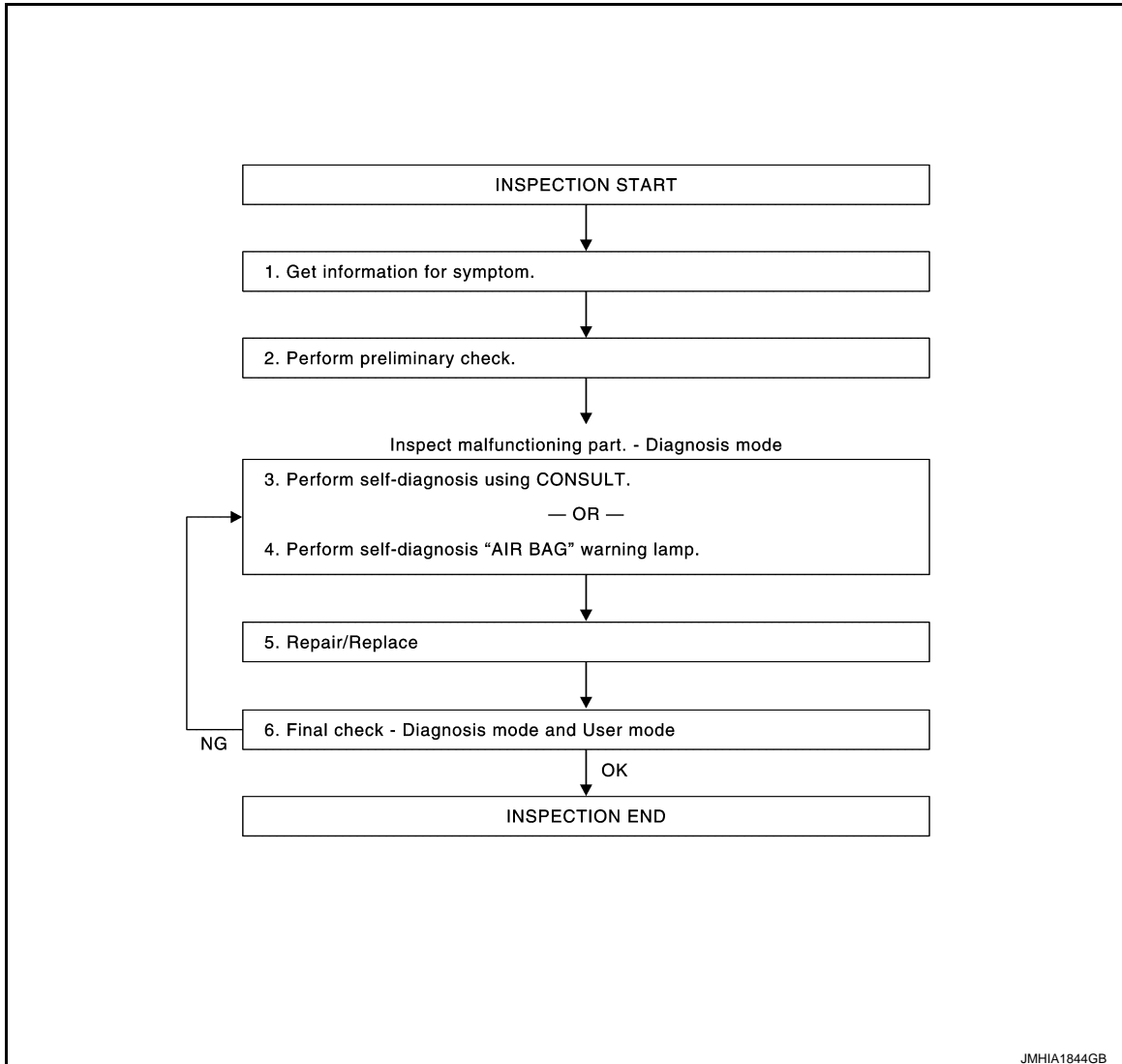
BASIC INSPECTION

DIAGNOSIS AND REPAIR WORK FLOW

Work Flow

INFOID:000000008281492

OVERALL SEQUENCE



DETAILED FLOW

1. GET INFORMATION FOR SYMPTOM

Interview the customer about the symptom.

>> GO TO 2.

2. PERFORM PRELIMINARY CHECK

At the beginning of inspection, confirm the condition of power supply circuit, check that the battery is charged and fuses and fusible links are not blown.

Is power supply circuit normal?

YES-1 >> GO TO 3. (With CONSULT)

YES-2 >> GO TO 4. (Without CONSULT)

NO >> Repair or replace the battery and fuse/fusible links.

DIAGNOSIS AND REPAIR WORK FLOW

< BASIC INSPECTION >

[FOR MEXICO]

3.PERFORM SELF-DIAGNOSIS USING "CONSULT" (WITH CONSULT)

Perform "AIR BAG" Self Diagnostic Result.

Is "MALFUNCTIONING PART" displayed on CONSULT?

YES >> GO TO 5.

NO >> Repeat DTC confirmation with diagnostic procedure.

4.PERFORM SELF-DIAGNOSIS "AIR BAG" WARNING LAMP (WITHOUT CONSULT)

Check the air bag warning lamp status.

Is "MALFUNCTIONING PART" detected?

YES >> GO TO 5.

NO >> Repeat DTC confirmation with diagnostic procedure.

5.REPAIR OR REPLACE

Repair or replace the malfunctioning part.

After the malfunction is repaired, erase the self-diagnostic result. Refer to [SRC-183, "Diagnosis Description"](#) or [SRC-185, "CONSULT Function"](#).

>> GO TO 6.

6.FINAL CHECK

Perform "AIR BAG" Self Diagnostic Result with CONSULT and /or, air bag warning lamp status.

Are all malfunctions corrected?

YES >> **INSPECTION END**

NO-1 >> GO TO 3. (With CONSULT)

NO-2 >> GO TO 4. (Without CONSULT)

A
B
C
D
E
F
G
I
J
K
L
M
N
O
P

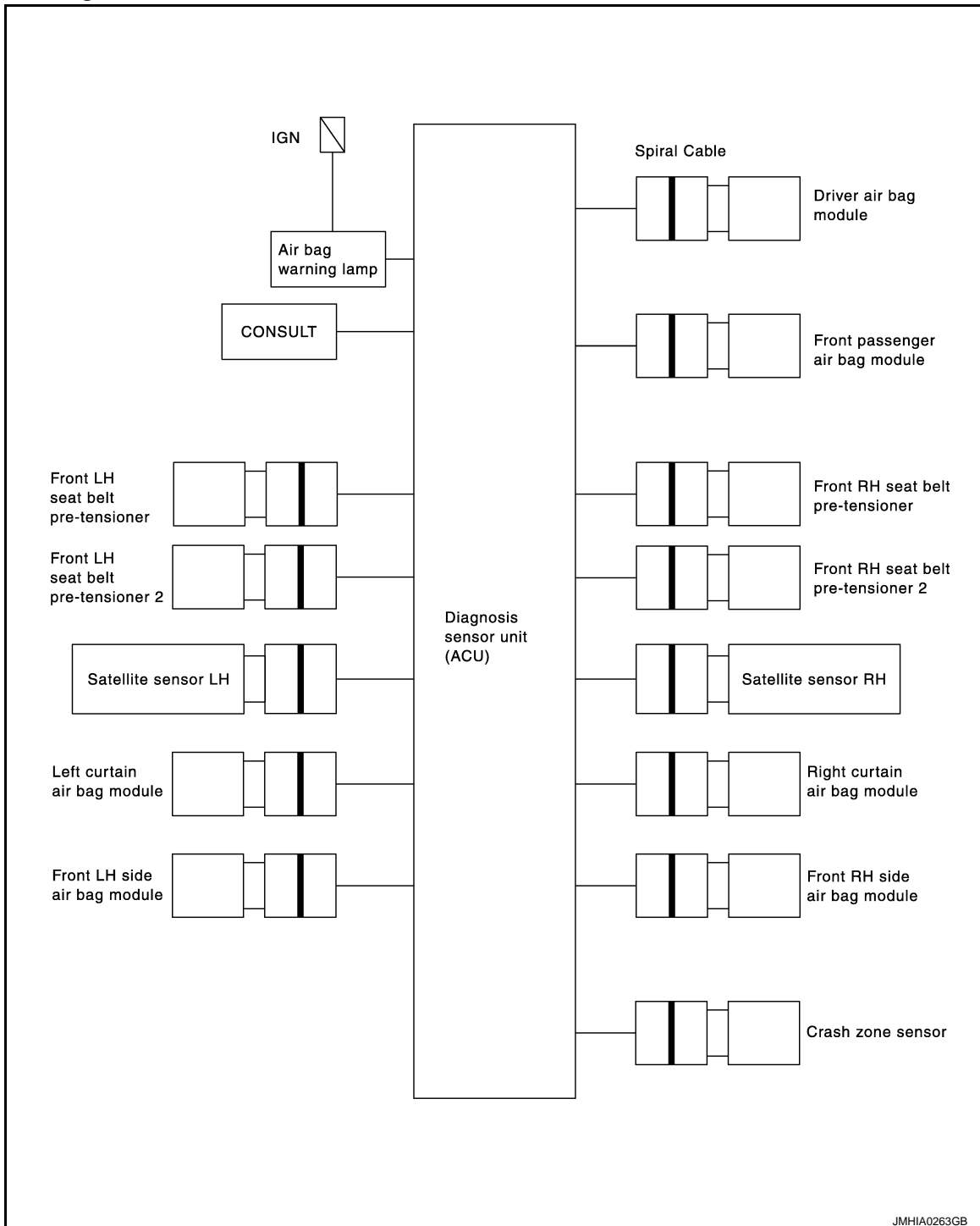
SRC

SYSTEM DESCRIPTION

SRS AIR BAG SYSTEM

System Diagram

INFOID:000000008281493



JMHIA0263GB

System Description

INFOID:000000008281494

This SRS Air Bag System has the following function.

1. Detects crash and supplies the energy for deploying air bag and seat belt pre-tensioner.
2. Detects electrical trouble in air bag system and seat belt pre-tensioner system, records trouble code, and blinking Air bag warning lamp.

SRS AIR BAG SYSTEM

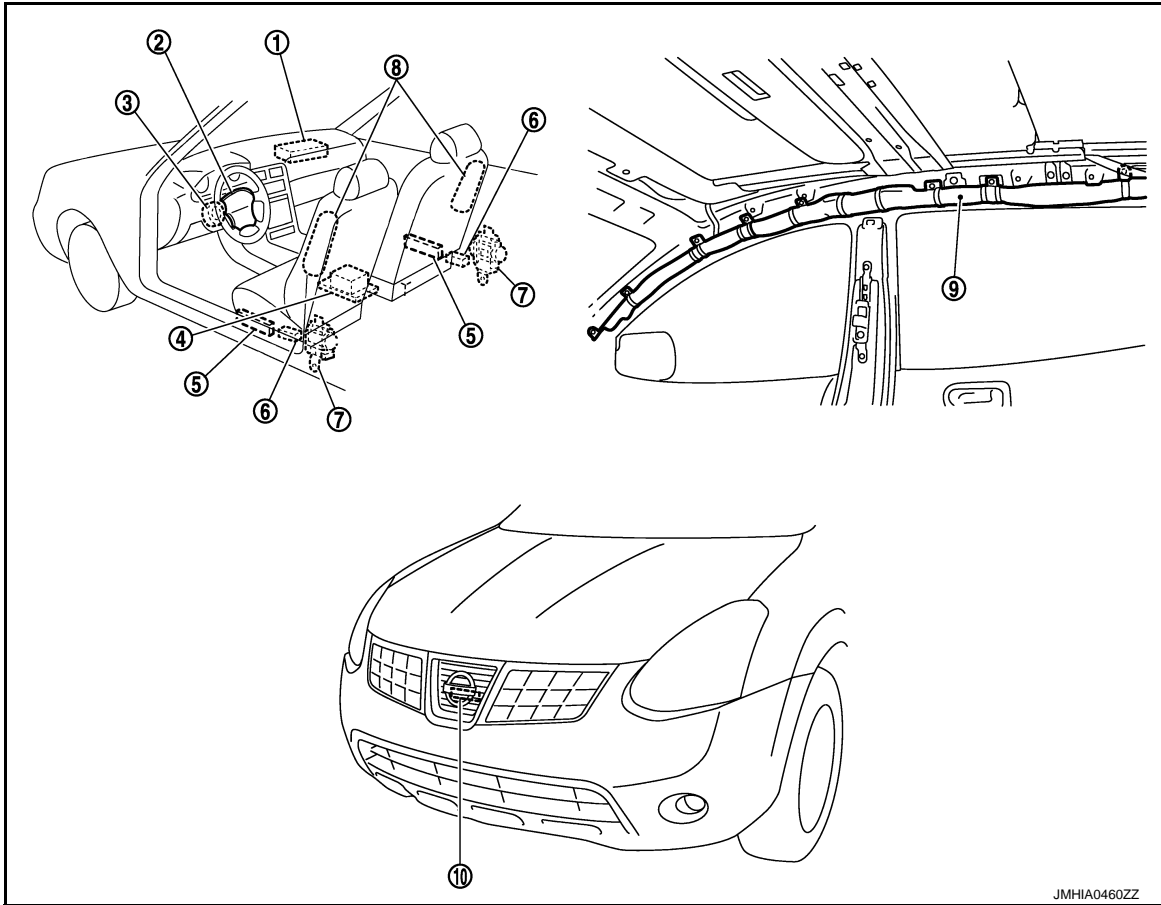
[FOR MEXICO]

< SYSTEM DESCRIPTION >

3. Detects and records the deployment of air bag and seat belt pre-tensioner, and turns on air bag warning lamp.
4. Indicates malfunctioning portion with blinking times of air bag warning lamp in diagnosis mode.
5. Indicate the malfunctioning record by CONSULT.

Component Parts Location

INFOID:000000008281495



- | | | |
|----------------------------------------------------------------|------------------------------------------------------------------|--------------------------------------------------------------|
| 1. Front passenger air bag module M70 | 2. Driver air bag module M350 | 3. Combination switch (spiral cable) M32 |
| 4. Air bag diagnosis sensor unit (ACU) B13, B14, M60 | 5. Front LH/RH seat belt pre-tensioner 2
• LH B31
• RH B42 | 6. LH/RH Air bag (satellite) sensor
• LH B37
• RH B30 |
| 7. Front LH/RH seat belt pre-tensioner
• LH B35
• RH B28 | 8. Front LH/RH side air bag module
• LH B16
• RH B18 | 9. LH/RH side curtain air bag module
• LH B72
• RH B56 |
| 10. Crash zone sensor E33 | | |

A
B
C
D
E
F
G
H
I
J
K
L
M
N
O
P

SRC

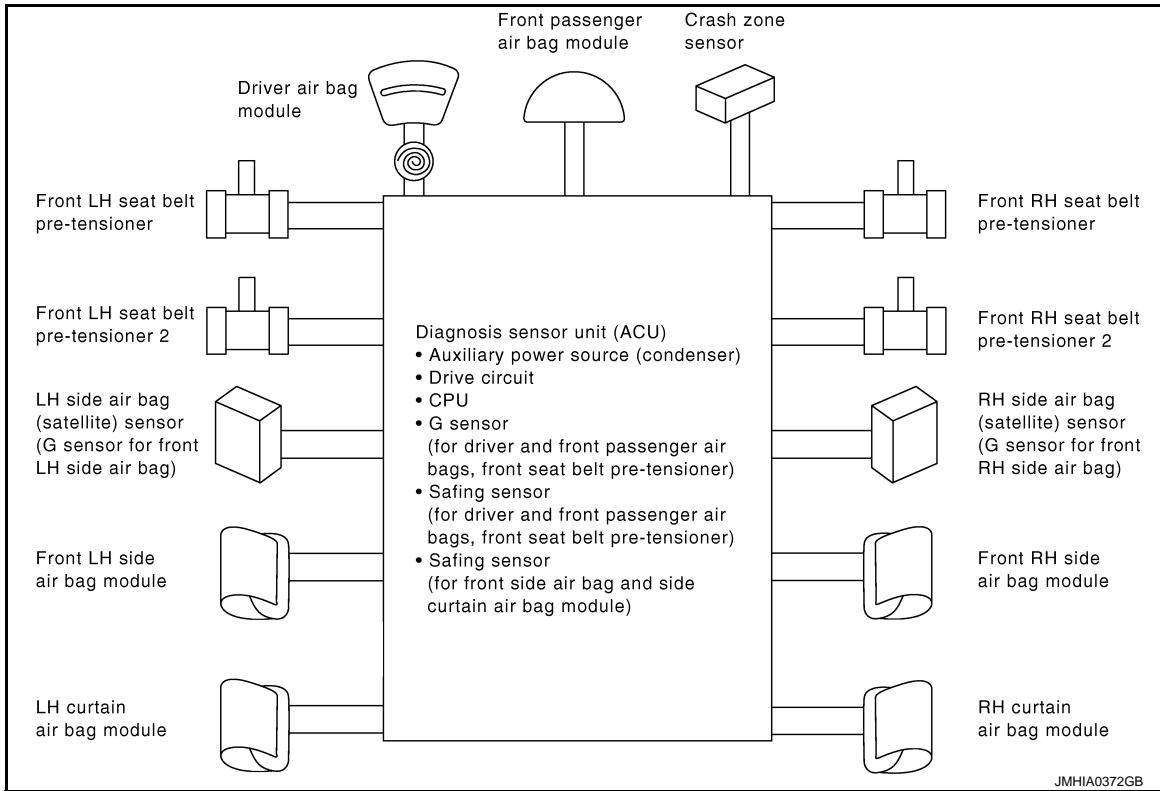
SRS AIR BAG SYSTEM

< SYSTEM DESCRIPTION >

[FOR MEXICO]

Component Description

INFOID:000000008281496



- Air bag sensor are prepared for operation while the ignition switch is in the ON or START position.
- The operation of supplemental restraint system is different from collision modes applications. For example, the driver air bag module and front passenger air bag module are activated in a frontal collision but not in a side collision.
- SRS configurations which are activated for some collision modes are as follows.

SRS configuration	Frontal collision	Left side collision	Right side collision
Driver air bag module.	×	—	—
Front passenger air bag module.	×	—	—
Front LH seat belt pre-tensioner.	×	—	—
Front RH seat belt pre-tensioner.	×	—	—
Front LH seat belt pre-tensioner 2.	×	—	—
Front RH seat belt pre-tensioner 2.	×	—	—
Front LH side air bag module.	—	×	—
Front RH side air bag module.	—	—	×
LH side curtain air bag module.	—	×	—
RH side curtain air bag module.	—	—	×

×: Application, —: Not application

DIAGNOSIS SYSTEM (AIRBAG)

Diagnosis Description

INFOID:000000008281497

CAUTION:

- Do not use electrical test equipment on any circuit related to the SRS unless instructed in this Service Manual. SRS wiring harnesses can be identified by yellow and/or orange harnesses or harness connectors.
- Do not repair, splice or modify the SRS wiring harness. If the harness is damaged, replace it with a new one.
- Keep ground portion clean.

DIAGNOSIS FUNCTION

- The SRS self-diagnosis results can be read by using “AIR BAG” warning lamp and/or CONSULT.
- The user mode is exclusively prepared for the customer (driver). This mode warns the driver of a system malfunction through the operation of the “AIR BAG” warning lamp.
- The Diagnosis mode allows the technician to locate and inspect the malfunctioning part.
- The mode applications for the “AIR BAG” warning lamp and CONSULT are as follows.

	User mode	Diagnosis mode	Display type
“AIR BAG” warning lamp	X	X	ON-OFF operation
CONSULT	–	X	Monitoring

HOW TO PERFORM TROUBLE DIAGNOSIS FOR QUICK AND ACCURATE REPAIR

A good understanding of the malfunction conditions can make troubleshooting faster and more accurate. In general, each customer feels differently about a malfunction. It is important to fully understand the symptoms or conditions for a customer complaint.

Information from Customer.

- WHAT..... Vehicle model.
- WHEN..... Date, Frequencies.
- WHERE..... Road conditions.
- HOW..... Operating conditions, Symptoms.

Preliminary Check.

Check that the following parts are in good order.

- Battery (Refer to [PG-3, "How to Handle Battery"](#)).
- Fuse (Refer to [SRC-324, "Wiring Diagram — SRS AIR BAG CONTROL SYSTEM —"](#)).
- System component-to-harness connections.

HOW TO ERASE SELF-DIAGNOSTIC RESULTS (With CONSULT)

- “SELF-DIAG [CURRENT]”
A current self-diagnosis result is displayed on CONSULT screen in real time. After the malfunction is repaired completely, no malfunction is detected on “SELF-DIAG [CURRENT]”.
- “SELF-DIAG [PAST]”
Return to “SELF-DIAG [CURRENT]” CONSULT screen by touching “BACK” key of CONSULT and select “SELF-DIAG [CURRENT]” in SELECT DIAG MODE. Touch “ERASE” in “SELF-DIAG [CURRENT]” mode.

NOTE:

If the memory of the malfunction in “SELF-DIAG [PAST]” is not erased, the user mode shows the system malfunction by the operation of the warning lamp even if the malfunction is repaired completely.

- “TROUBLE DIAG RECORD”
The memory of “TROUBLE DIAG RECORD” cannot be erased.

HOW TO ERASE SELF-DIAGNOSTIC RESULTS (Without CONSULT)

After a malfunction is repaired, turn the ignition switch OFF for at least one second, then turn ignition switch ON diagnosis mode returns to the user mode. At that time the self-diagnosis result is cleared.

DIAGNOSTIC PROCEDURE (User mode)

A
B
C
D
E
F
G
SRC
I
J
K
L
M
N
O
P

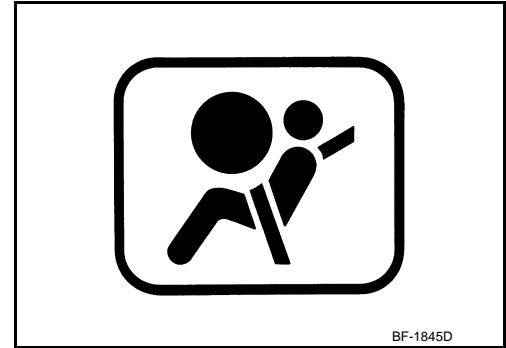
DIAGNOSIS SYSTEM (AIRBAG)

[FOR MEXICO]

< SYSTEM DESCRIPTION >

Checking air bag operation according to "AIR BAG" Warning Lamp-User Mode

1. Turn the ignition switch from OFF to ON, and check that the air bag warning lamp blinks.
2. Compare the SRS air bag warning lamp blinking pattern with the examples.



Warning lamp examples (User mode)

"AIR BAG" warning lamp operation -User mode	SRS condition	Reference item
<p>IGN ON</p> <p>ON</p> <p>OFF</p> <p>7 sec.</p> <p>SHIA0011E</p>	<ul style="list-style-type: none"> • No malfunction is detected. • No further action is necessary. 	<p>—</p>
<p>IGN ON</p> <p>ON</p> <p>OFF</p> <p>7 sec. 0.5 sec. 0.5 sec.</p> <p>SHIA0012E</p>	<ul style="list-style-type: none"> • The system is malfunctioning and needs to be repaired as indicated. 	<p>Go to SRC-185, "CONSULT Function".</p>

DIAGNOSIS SYSTEM (AIRBAG)

< SYSTEM DESCRIPTION >

[FOR MEXICO]

"AIR BAG" warning lamp operation -User mode	SRS condition	Reference item
<p>SHIA0013E</p>	<ul style="list-style-type: none"> Air bag is deployed. Seat belt pre-tensioner is deployed. 	Go to SRC-309, "Diagnosis Procedure" or SRC-311, "Diagnosis Procedure" .
	<ul style="list-style-type: none"> Diagnosis sensor unit is malfunctioning. Air bag power supply circuit is malfunctioning. SRS air bag warning lamp circuit is malfunctioning. 	Go to SRC-326, "Diagnosis Procedure" .
<p>SHIA0014E</p>	<ul style="list-style-type: none"> Diagnosis sensor unit is malfunctioning. Air bag warning lamp circuit is malfunctioning. 	Go to SRC-326, "Diagnosis Procedure" .

CONSULT Function

INFOID:000000008281498

APPLICATION ITEM

CONSULT performs the following functions.

Diagnosis mode	Description
ECU Identification	Air bag diagnosis sensor unit ECU discriminated number (identification number) is displayed. Air bag diagnosis sensor unit has individual ECU discriminated number (identification number) based on model and equipment.
Self Diagnostic Result	<ul style="list-style-type: none"> Self-diagnosis result is displayed. Refer to SRC-316, "DTC Index". "No DTC" is displayed when repair is completed by part replacement or other operations. "SELF-DIAG RESULT [MEMORY]" is displayed until "Erase" is performed. <p>CAUTION: When "No DTC" is displayed after repair, always perform "Erase". If this is not done SRS air bag warning lamp remains blinking when user mode is resumed.</p>
TROUBLE DIAG RECORD	With TROUBLE DIAG RECORD, diagnosis results previously erased by a reset operation can be displayed on CONSULT screen.

ⓐ HOW TO CHANGE SELF-DIAGNOSIS MODE WITH CONSULT

From User Mode to Diagnosis Mode

After selecting "AIR BAG" on the "SELECT SYSTEM" screen, User mode automatically changes to Diagnosis mode.

From Diagnosis Mode to User Mode

To return to User mode from Diagnosis mode, touch "BACK" key of CONSULT until "SELECT SYSTEM" appears, then diagnosis mode automatically changes to User mode.

SELF-DIAGNOSIS FUNCTION (Without CONSULT)

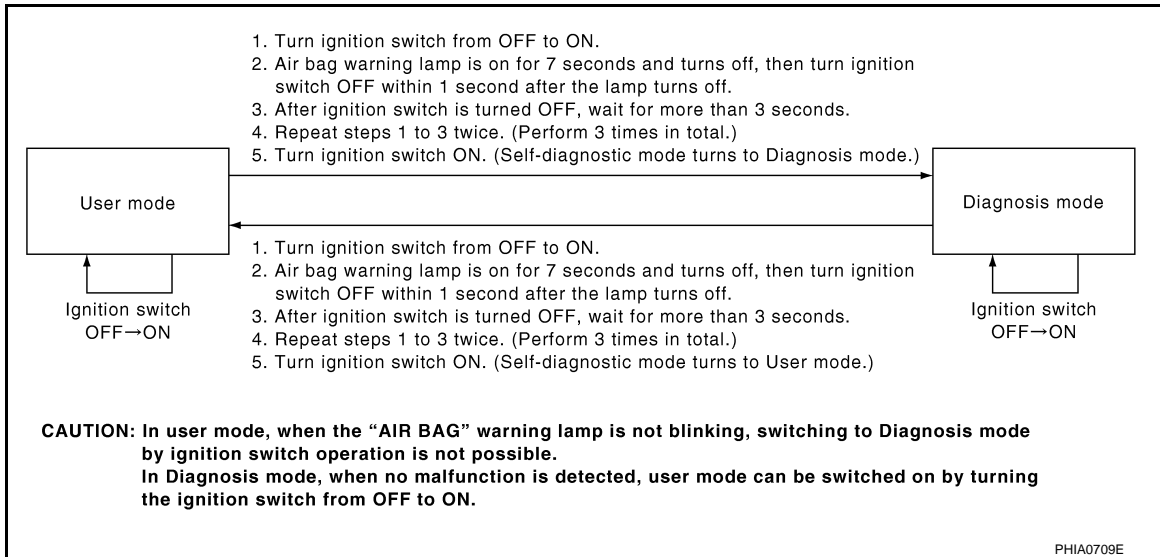
- The reading of these results is accomplished by "User mode" and "Diagnosis mode".
- After a malfunction is repaired, turn ignition switch ON. Diagnosis mode returns to the user mode. At that time, the self-diagnosis result is cleared.

DIAGNOSIS SYSTEM (AIRBAG)

< SYSTEM DESCRIPTION >

[FOR MEXICO]

HOW TO CHANGE SELF-DIAGNOSIS MODE WITHOUT CONSULT



B1001, B1002, B1003, B1004, B1005 DIAGNOSIS SENSOR UNIT

< DTC/CIRCUIT DIAGNOSIS >

[FOR MEXICO]

DTC/CIRCUIT DIAGNOSIS

B1001, B1002, B1003, B1004, B1005 DIAGNOSIS SENSOR UNIT

Description

INFOID:000000008281499

DTC B1001, B1002, B1003, B1004, B1005 DIAGNOSIS SENSOR UNIT

Detects the whole SRS electrical system and displays the malfunction either by illuminating or blinking the air bag warning lamp in the combination meter. Malfunctioning part can be detected by on board self-diagnosis system and electro-diagnosis tester CONSULT.

OPERATION

It detects a shock that exceeds specified level and monitors such systems as the driver and passenger air bag, side air bag, curtain air bag, pre-tensioner seat belts operate properly.

STRUCTURE

It contains the "G" sensors for both frontal and side collisions and spare battery function in case of main battery damage in collision.

INSTALLATION

SRS diagnosis sensor unit is installed under the center console with fixed bolts.

DTC Logic

INFOID:000000008281500

SRC

DTC DETECTION LOGIC

With CONSULT

DTC No. Index ("SELF-DIAG [CURRENT]"), ("SELF-DIAG [PAST]" or "TROUBLE DIAG RECORD")

DTC No.	Trouble diagnosis name	DTC detecting condition	Possible cause
B1001 B1002 B1003 B1004 B1005	CONTROL UNIT	Diagnosis sensor unit is out of order.	Internal breakdown in diagnosis sensor unit (ACU).

DTC CONFIRMATION PROCEDURE (With CONSULT)

1.INSPECTION START

Turn ignition switch ON.

>> GO TO 2.

2.CHECK SELF-DIAG RESULT

Check the screen of CONSULT.

Is malfunctioning part detected?

- YES >> Refer to [SRC-188, "Diagnosis Procedure"](#).
- NO >> **INSPECTION END.**

DTC CONFIRMATION PROCEDURE (Without CONSULT)

NOTE:

- SRS will not enter diagnosis mode if no malfunction is detected in user mode.

1.INSPECTION START

Turn ignition switch ON.

B1001, B1002, B1003, B1004, B1005 DIAGNOSIS SENSOR UNIT

[FOR MEXICO]

< DTC/CIRCUIT DIAGNOSIS >

>> GO TO 2.

2.CHECK AIR BAG WARNING LAMP

Check the warning lamp status.

Is malfunctioning part detected?

YES >> Refer to [SRC-316. "DTC Index"](#).

NO >> **INSPECTION END.**

Diagnosis Procedure

INFOID:000000008281501

With CONSULT

WARNING:

- Before servicing, turn ignition switch OFF, disconnect both battery terminals and wait at least 3 minutes. (To discharge backup capacitor.)
- Do not use unspecified tester or other measuring device.

DIAGNOSTIC PROCEDURE

1.CHECK HARNESS CONNECTOR

Check the connection of harness connector.

Is the inspection result normal?

YES >> GO TO 2.

NO >> Repair or replace harness connectors.

2.CHECK WIRING HARNESS

Check the wiring harness externals.

Is the inspection result normal?

YES >> GO TO 3.

NO >> Repair or replace wiring harness.

3.CHECK DIAGNOSIS SENSOR UNIT

1. Replace diagnosis sensor unit (ACU).

2. Check the screen of CONSULT.

Is the inspection result normal?

YES >> **INSPECTION END.**

NO >> Check the intermittent incident. Refer to [GI-46. "Intermittent Incident"](#).

B1006, B1007, B1008, B1009, B1010 DIAGNOSIS SENSOR UNIT

< DTC/CIRCUIT DIAGNOSIS >

[FOR MEXICO]

B1006, B1007, B1008, B1009, B1010 DIAGNOSIS SENSOR UNIT

Description

INFOID:000000008281502

DTC B1006, B1007, B1008, B1009, B1010 DIAGNOSIS SENSOR UNIT

Detects the whole SRS electrical system and displays the malfunction either by illuminating or blinking the air bag warning lamp in the combination meter. Malfunctioning part can be detected by on board self-diagnosis system and electro-diagnosis tester CONSULT.

OPERATION

It detects a shock that exceeds specified level and monitors such systems as the driver and passenger air bag, side air bag, curtain air bag, pre-tensioner seat belts operate properly.

STRUCTURE

It contains the "G" sensors for both frontal and side collisions and spare battery function in case of main battery damage in collision.

INSTALLATION

SRS diagnosis sensor unit is installed under the center console with fixed bolts.

DTC Logic

INFOID:000000008281503

DTC DETECTION LOGIC

With CONSULT

DTC No. Index ("SELF-DIAG [CURRENT]"), ("SELF-DIAG [PAST]" or "TROUBLE DIAG RECORD")

DTC No.	Trouble diagnosis name	DTC detecting condition	Possible cause
B1006 B1007 B1008 B1009 B1010	CONTROL UNIT	Diagnosis sensor unit is out of order.	Internal breakdown in diagnosis sensor unit (ACU).

DTC CONFIRMATION PROCEDURE (With CONSULT)

1.INSPECTION START

Turn ignition switch ON.

>> GO TO 2.

2.CHECK SELF-DIAG RESULT

Check the screen of CONSULT.

Is malfunctioning part detected?

YES >> Refer to [SRC-190, "Diagnosis Procedure"](#).

NO >> **INSPECTION END.**

DTC CONFIRMATION PROCEDURE (Without CONSULT)

NOTE:

- SRS will not enter diagnosis mode if no malfunction is detected in user mode.

1.INSPECTION START

Turn ignition switch ON.

>> GO TO 2.

B1006, B1007, B1008, B1009, B1010 DIAGNOSIS SENSOR UNIT

< DTC/CIRCUIT DIAGNOSIS >

[FOR MEXICO]

2.CHECK AIR BAG WARNING LAMP

Check the warning lamp status.

Is malfunctioning part detected?

YES >> Refer to [SRC-316, "DTC Index"](#).

NO >> **INSPECTION END.**

Diagnosis Procedure

INFOID:000000008281504

With CONSULT

WARNING:

- Before servicing, turn ignition switch OFF, disconnect both battery terminals and wait at least 3 minutes. (To discharge backup capacitor.)
- Do not use unspecified tester or other measuring device.

DIAGNOSTIC PROCEDURE

1.CHECK HARNESS CONNECTOR

Check the connection of harness connector.

Is the inspection result normal?

YES >> GO TO 2.

NO >> Repair or replace harness connectors.

2.CHECK WIRING HARNESS

Check the wiring harness externals.

Is the inspection result normal?

YES >> GO TO 3.

NO >> Repair or replace wiring harness.

3.CHECK DIAGNOSIS SENSOR UNIT

1. Replace diagnosis sensor unit (ACU).

2. Check the screen of CONSULT.

Is the inspection result normal?

YES >> **INSPECTION END.**

NO >> Check the intermittent incident. Refer to [GI-46, "Intermittent Incident"](#).

B1011, B1012, B1013, B1014, B1015 DIAGNOSIS SENSOR UNIT

< DTC/CIRCUIT DIAGNOSIS >

[FOR MEXICO]

B1011, B1012, B1013, B1014, B1015 DIAGNOSIS SENSOR UNIT

Description

INFOID:000000008281505

DTC B1011, B1012, B1013, B1014, B1015 DIAGNOSIS SENSOR UNIT

Detects the whole SRS electrical system and displays the malfunction either by illuminating or blinking the air bag warning lamp in the combination meter. Malfunctioning part can be detected by on board self-diagnosis system and electro-diagnosis tester CONSULT.

OPERATION

It detects a shock that exceeds specified level and monitors such systems as the driver and passenger air bag, side air bag, curtain air bag, pre-tensioner seat belts operate properly.

STRUCTURE

It contains the "G" sensors for both frontal and side collisions and spare battery function in case of main battery damage in collision.

INSTALLATION

SRS diagnosis sensor unit is installed under the center console with fixed bolts.

DTC Logic

INFOID:000000008281506

DTC DETECTION LOGIC

With CONSULT

DTC No. Index ("SELF-DIAG [CURRENT]"), ("SELF-DIAG [PAST]" or "TROUBLE DIAG RECORD")

DTC No.	Trouble diagnosis name	DTC detecting condition	Possible cause
B1011 B1012 B1013 B1014 B1015	CONTROL UNIT	Diagnosis sensor unit is out of order.	Internal breakdown in diagnosis sensor unit (ACU).

DTC CONFIRMATION PROCEDURE (With CONSULT)

1.INSPECTION START

Turn ignition switch ON.

>> GO TO 2.

2.CHECK SELF-DIAG RESULT

Check the screen of CONSULT.

Is malfunctioning part detected?

YES >> Refer to [SRC-192, "Diagnosis Procedure"](#).

NO >> **INSPECTION END.**

DTC CONFIRMATION PROCEDURE (Without CONSULT)

NOTE:

- SRS will not enter diagnosis mode if no malfunction is detected in user mode.

1.INSPECTION START

Turn ignition switch ON.

>> GO TO 2.

B1011, B1012, B1013, B1014, B1015 DIAGNOSIS SENSOR UNIT

< DTC/CIRCUIT DIAGNOSIS >

[FOR MEXICO]

2.CHECK AIR BAG WARNING LAMP

Check the warning lamp status.

Is malfunctioning part detected?

YES >> Refer to [SRC-316, "DTC Index"](#).

NO >> **INSPECTION END.**

Diagnosis Procedure

INFOID:000000008281507

With CONSULT

WARNING:

- Before servicing, turn ignition switch OFF, disconnect both battery terminals and wait at least 3 minutes. (To discharge backup capacitor.)
- Do not use unspecified tester or other measuring device.

DIAGNOSTIC PROCEDURE

1.CHECK HARNESS CONNECTOR

Check the connection of harness connector.

Is the inspection result normal?

YES >> GO TO 2.

NO >> Repair or replace harness connectors.

2.CHECK WIRING HARNESS

Check the wiring harness externals.

Is the inspection result normal?

YES >> GO TO 3.

NO >> Repair or replace wiring harness.

3.CHECK DIAGNOSIS SENSOR UNIT

1. Replace diagnosis sensor unit (ACU).

2. Check the screen of CONSULT.

Is the inspection result normal?

YES >> **INSPECTION END.**

NO >> Check the intermittent incident. Refer to [GI-46, "Intermittent Incident"](#).

B1026, B1027, B1028, B1029, B1030, B1031 DIAGNOSIS SENSOR UNIT

< DTC/CIRCUIT DIAGNOSIS >

[FOR MEXICO]

B1026, B1027, B1028, B1029, B1030, B1031 DIAGNOSIS SENSOR UNIT

Description

INFOID:000000008281508

DTC B1026, B1027, B1028, B1029, B1030, B1031 DIAGNOSIS SENSOR UNIT

Detects the whole SRS electrical system and displays the malfunction either by illuminating or blinking the air bag warning lamp in the combination meter. Malfunctioning part can be detected by on board self-diagnosis system and electro-diagnosis tester CONSULT.

OPERATION

It detects a shock that exceeds specified level and monitors such systems as the driver and passenger air bag, side air bag, curtain air bag, pre-tensioner seat belts operate properly.

STRUCTURE

It contains the "G" sensors for both frontal and side collisions and spare battery function in case of main battery damage in collision.

INSTALLATION

SRS diagnosis sensor unit is installed under the center console with fixed bolts.

DTC Logic

INFOID:000000008281509

DTC DETECTION LOGIC

With CONSULT

DTC No. Index ("SELF-DIAG [CURRENT]"), ("SELF-DIAG [PAST]" or "TROUBLE DIAG RECORD")

DTC No.	Trouble diagnosis name	DTC detecting condition	Possible cause
B1026 B1027 B1028 B1029 B1030 B1031	CONTROL UNIT	Diagnosis sensor unit is out of order.	Internal breakdown in diagnosis sensor unit (ACU).

DTC CONFIRMATION PROCEDURE (With CONSULT)

1.INSPECTION START

Turn ignition switch ON.

>> GO TO 2.

2.CHECK SELF-DIAG RESULT

Check the screen of CONSULT.

Is malfunctioning part detected?

- YES >> Refer to [SRC-194. "Diagnosis Procedure"](#).
- NO >> **INSPECTION END.**

DTC CONFIRMATION PROCEDURE (Without CONSULT)

NOTE:

- SRS will not enter diagnosis mode if no malfunction is detected in user mode.

1.INSPECTION START

Turn ignition switch ON.

A
B
C
D
E
F
G
I
J
K
L
M
N
O
P

SRC

B1026, B1027, B1028, B1029, B1030, B1031 DIAGNOSIS SENSOR UNIT

[FOR MEXICO]

< DTC/CIRCUIT DIAGNOSIS >

>> GO TO 2.

2.CHECK AIR BAG WARNING LAMP

Check the warning lamp status.

Is malfunctioning part detected?

YES >> Refer to [SRC-316, "DTC Index"](#).

NO >> **INSPECTION END.**

Diagnosis Procedure

INFOID:000000008281510

With CONSULT

WARNING:

- **Before servicing, turn ignition switch OFF, disconnect both battery terminals and wait at least 3 minutes. (To discharge backup capacitor.)**
- **Do not use unspecified tester or other measuring device.**

DIAGNOSTIC PROCEDURE

1.CHECK HARNESS CONNECTOR

Check the connection of harness connector.

Is the inspection result normal?

YES >> GO TO 2.

NO >> Repair or replace harness connectors.

2.CHECK WIRING HARNESS

Check the wiring harness externals.

Is the inspection result normal?

YES >> GO TO 3.

NO >> Replace wiring harness.

3.CHECK DIAGNOSIS SENSOR UNIT

1. Replace diagnosis sensor unit (ACU).

2. Check the screen of CONSULT.

Is the inspection result normal?

YES >> **INSPECTION END.**

NO >> Check the intermittent incident. Refer to [GI-46, "Intermittent Incident"](#).

B1033, B1034 CRASH ZONE SEN

< DTC/CIRCUIT DIAGNOSIS >

[FOR MEXICO]

B1033, B1034 CRASH ZONE SEN

Description

INFOID:000000008281511

DTC B1033, B1034 [UNIT FAIL] CRASH ZONE SENSOR

Main "G" sensor generates signal voltage, when it detects deceleration beyond the specified level caused by vehicle frontal collision.

OPERATION

When ACU define the both signal voltage of the "G" sensor and the safing sensor to be that of collision which exceeds specified level, the driving circuit switches on and feeds the electric ignitor of both driver and passenger air bags and pre-tensioner seat belt.

STRUCTURE

Integrated type of the "G" sensor element for frontal collision with output terminals for signal voltage.

INSTALLATION

Crash zone sensor is installed on the radiator core support assembly with fixed nuts.

DTC Logic

INFOID:000000008281512

DTC DETECTION LOGIC

With CONSULT

DTC No. Index ("SELF-DIAG [CURRENT]"), ("SELF-DIAG [PAST]" or "TROUBLE DIAG RECORD)

DTC No.	Trouble diagnosis name	DTC detecting condition	Possible cause
B1033 B1034	CRASH ZONE SENSOR [UNIT FAIL]	Crash zone sensor is out of order.	<ul style="list-style-type: none">• Disconnection of wiring harness.• Internal breakdown in crash zone sensor.• Internal breakdown in diagnosis sensor unit (ACU).

DTC CONFIRMATION PROCEDURE (With CONSULT)

1.INSPECTION START

Turn ignition switch ON.

>> GO TO 2.

2.CHECK SELF-DIAG RESULT

Check the screen of CONSULT.

Is malfunctioning part detected?

- YES >> Refer to [SRC-196, "Diagnosis Procedure"](#).
NO >> **INSPECTION END.**

DTC CONFIRMATION PROCEDURE (Without CONSULT)

NOTE:

- SRS will not enter diagnosis mode if no malfunction is detected in user mode.

1.INSPECTION START

Turn ignition switch ON.

>> GO TO 2.

A
B
C
D
E
F
G
I
J
K
L
M
N
O
P

SRC

< DTC/CIRCUIT DIAGNOSIS >

2.CHECK AIR BAG WARNING LAMP-

Check the warning lamp status.

Is malfunctioning part detected?

- YES >> Refer to [SRC-316, "DTC Index"](#).
NO >> **INSPECTION END.**

Diagnosis Procedure

INFOID:000000008281513

With CONSULT

WARNING:

- Before servicing, turn ignition switch OFF, disconnect both battery terminals and wait at least 3 minutes. (To discharge backup capacitor.)
- Do not use unspecified tester or other measuring device.

DIAGNOSTIC PROCEDURE

1.CHECK HARNESS CONNECTOR

Check the connection of harness connector.

Is the inspection result normal?

- YES >> GO TO 2.
NO >> Repair or replace harness connectors.

2.CHECK WIRING HARNESS

Check the wiring harness externals.

Is the inspection result normal?

- YES >> GO TO 3.
NO >> Repair or replace wiring harness.

3.CHECK CRASH ZONE SENSOR

1. Replace crash zone sensor.
2. Check the screen of CONSULT.

Is the inspection result normal?

- YES >> **INSPECTION END.**
NO >> Check the intermittent incident. Refer to [GI-46, "Intermittent Incident"](#).

B1035, B1036, B1038, B1040 CRASH ZONE SEN

< DTC/CIRCUIT DIAGNOSIS >

[FOR MEXICO]

B1035, B1036, B1038, B1040 CRASH ZONE SEN

Description

INFOID:000000008281514

DTC B1035, B1036, B1038, B1040 [COMM FAIL] CRASH ZONE SENSOR

Main "G" sensor that generates signal voltage, when it detects deceleration beyond the specified level caused by vehicle frontal collision.

OPERATION

When ACU defines both signal voltage of the "G" sensor and the safing sensor to be that of collision which exceeds specified level, the driving circuit switches on and feeds the electric ignitor of both driver and passenger air bags and pre-tensioner seat belt.

STRUCTURE

Integrated type of the "G" sensor element for frontal collision with output terminals for signal voltage.

INSTALLATION

Crash zone sensor is installed on the radiator core support assembly with fixed nuts.

DTC Logic

INFOID:000000008281515

DTC DETECTION LOGIC

With CONSULT

DTC No. Index ("SELF-DIAG [CURRENT]"), ("SELF-DIAG [PAST]" or "TROUBLE DIAG RECORD")

DTC No.	Trouble diagnosis name	DTC detecting condition	Possible cause
B1035	CRASH ZONE SENSOR [COMM FAIL]	Crash zone sensor is out of order.	<ul style="list-style-type: none">• Disconnection of wiring harness and open/short.• Internal breakdown in crash zone sensor.• Internal breakdown in diagnosis sensor unit (ACU).
B1036	[UNMATCH]		
B1038	[OPEN/UPR-VB-SHORT]		
B1040	[SHORT/UPR-GND-SHORT]		

DTC CONFIRMATION PROCEDURE (With CONSULT)

1.INSPECTION START

Turn ignition switch ON.

>> GO TO 2.

2.CHECK SELF-DIAG RESULT

Check the screen of CONSULT.

Is malfunctioning part detected?

- YES >> Refer to [SRC-198. "Diagnosis Procedure"](#).
NO >> **INSPECTION END.**

DTC CONFIRMATION PROCEDURE (Without CONSULT)

NOTE:

- SRS will not enter diagnosis mode if no malfunction is detected in user mode.

1.INSPECTION START

Turn ignition switch ON.

>> GO TO 2.

2.CHECK AIR BAG WARNING LAMP

Check the warning lamp status.

Is malfunctioning part detected?

YES >> Refer to [SRC-316. "DTC Index"](#).

NO >> **INSPECTION END.**

Diagnosis Procedure

INFOID:000000008281516

With CONSULT

WARNING:

- Before servicing, turn ignition switch OFF, disconnect both battery terminals and wait at least 3 minutes. (To discharge backup capacitor.)
- Do not use unspecified tester or other measuring device.

DIAGNOSTIC PROCEDURE

1.CHECK HARNESS CONNECTOR

Check the connection of harness connector.

Is the inspection result normal?

YES >> GO TO 2.

NO >> Repair or replace harness connectors.

2.CHECK WIRING HARNESS

Check the wiring harness externals.

Is the inspection result normal?

YES >> GO TO 3.

NO >> Repair or replace wiring harness.

3.CHECK CRASH ZONE SENSOR

1. Replace crash zone sensor.
2. Check the screen of CONSULT.

Is the inspection result normal?

YES >> **INSPECTION END.**

NO >> Check the intermittent incident. Refer to [GI-46. "Intermittent Incident"](#).

B1042, B1043, B1044, B1045, B1046, B1047 DIAGNOSIS SENSOR UNIT

< DTC/CIRCUIT DIAGNOSIS >

[FOR MEXICO]

B1042, B1043, B1044, B1045, B1046, B1047 DIAGNOSIS SENSOR UNIT

Description

INFOID:000000008281517

DTC B1042, B1043, B1044, B1045, B1046, B1047 DIAGNOSIS SENSOR UNIT

Detects the whole SRS electrical system and displays the malfunction either by illuminating or blinking the air bag warning lamp in the combination meter. Malfunctioning part can be detected by on board self-diagnosis system and electro-diagnosis tester CONSULT.

OPERATION

It detects a shock that exceeds specified level and monitors such systems as the driver and passenger air bag, side air bag, curtain air bag, pre-tensioner seat belts operate properly.

STRUCTURE

It contains the "G" sensors for both for frontal and side collisions and spare battery function in case of main battery damage in collision.

INSTALLATION

SRS diagnosis sensor unit is installed under the center console with fixed bolts.

DTC Logic

INFOID:000000008281518

DTC DETECTION LOGIC

With CONSULT

DTC No. Index ("SELF-DIAG [CURRENT]"), ("SELF-DIAG [PAST]" or "TROUBLE DIAG RECORD")

DTC No.	Trouble diagnosis name	DTC detecting condition	Possible cause
B1042 B1043 B1044 B1045 B1046 B1047	CONTROL UNIT	Diagnosis sensor unit is out of order.	Internal breakdown in diagnosis sensor unit (ACU).

DTC CONFIRMATION PROCEDURE (With CONSULT)

1.INSPECTION START

Turn ignition switch ON.

>> GO TO 2.

2.CHECK SELF-DIAG RESULT

Check the screen of CONSULT.

Is malfunctioning part detected?

- YES >> Refer to [SRC-200. "Diagnosis Procedure"](#).
- NO >> **INSPECTION END.**

DTC CONFIRMATION PROCEDURE (Without CONSULT)

NOTE:

- SRS will not enter diagnosis mode if no malfunction is detected in user mode.

1.INSPECTION START

Turn ignition switch ON.

A
B
C
D
E
F
G
I
J
K
L
M
N
O
P

SRC

B1042, B1043, B1044, B1045, B1046, B1047 DIAGNOSIS SENSOR UNIT

[FOR MEXICO]

< DTC/CIRCUIT DIAGNOSIS >

>> GO TO 2.

2.CHECK AIR BAG WARNING LAMP

Check the warning lamp status.

Is malfunctioning part detected?

YES >> Refer to [SRC-316, "DTC Index"](#).

NO >> **INSPECTION END.**

Diagnosis Procedure

INFOID:000000008281519

With CONSULT

WARNING:

- **Before servicing, turn ignition switch OFF, disconnect both battery terminals and wait at least 3 minutes. (To discharge backup capacitor.)**
- **Do not use unspecified tester or other measuring device.**

DIAGNOSTIC PROCEDURE

1.CHECK HARNESS CONNECTOR

Check the connection of harness connector.

Is the inspection result normal?

YES >> GO TO 2.

NO >> Repair or replace harness connectors.

2.CHECK WIRING HARNESS

Check the wiring harness externals.

Is the inspection result normal?

YES >> GO TO 3.

NO >> Repair or replace wiring harness.

3.CHECK DIAGNOSIS SENSOR UNIT

1. Replace diagnosis sensor unit (ACU).

2. Check the screen of CONSULT.

Is the inspection result normal?

YES >> **INSPECTION END.**

NO >> Check the intermittent incident. Refer to [GI-46, "Intermittent Incident"](#).

B1049 DRIVER AIRBAG MODULE

< DTC/CIRCUIT DIAGNOSIS >

[FOR MEXICO]

B1049 DRIVER AIRBAG MODULE

Description

INFOID:000000008281520

DTC B1049 [OPEN] DRIVER AIRBAG MODULE

For driver air bag module, crash is judged by main "G" sensor output signal and sub "G" sensor in front direction.

OPERATION

In the case of a frontal collision whose acceleration exceeds the specified level, the ignition materials are ignited by electric ignition system. The system burns and introduces the chemical reaction of gas generating materials to generate hot gases that flow into the air bag through a filter and expand the bag.

STRUCTURE

Driver air bag module mainly consists of air bag and inflator which inflates air bag.

INSTALLATION

Driver air bag module is installed on the center of steering wheel with fixed bolts.

DTC Logic

INFOID:000000008281521

DTC DETECTION LOGIC

With CONSULT

DTC No. Index ("SELF-DIAG [CURRENT]"), ("SELF-DIAG [PAST]" or "TROUBLE DIAG RECORD")

DTC No.	Trouble diagnosis name	DTC detecting condition	Possible cause
B1049	DRIVER AIRBAG MODULE [OPEN]	Driver air bag module circuit is open. (including the spiral cable.)	<ul style="list-style-type: none">• Disconnection of wiring harness and open.• Internal breakdown in driver air bag module.• Internal breakdown in spiral cable.• Internal breakdown in diagnosis sensor unit (ACU).

DTC CONFIRMATION PROCEDURE (With CONSULT)

1.INSPECTION START

Turn ignition switch ON.

>> GO TO 2.

2.CHECK SELF-DIAG RESULT

Check the screen of CONSULT.

Is malfunctioning part detected?

YES >> Refer to [SRC-202. "Diagnosis Procedure"](#).

NO >> **INSPECTION END.**

DTC CONFIRMATION PROCEDURE (Without CONSULT)

NOTE:

- SRS will not enter diagnosis mode if no malfunction is detected in user mode.

1.INSPECTION START

Turn ignition switch ON.

A
B
C
D
E
F
G
I
J
K
L
M
N
O
P

SRC

B1049 DRIVER AIRBAG MODULE

[FOR MEXICO]

< DTC/CIRCUIT DIAGNOSIS >

>> GO TO 2.

2.CHECK AIR BAG WARNING LAMP

Check the warning lamp status.

Is malfunctioning part detected?

YES >> Refer to [SRC-316, "DTC Index"](#).

NO >> **INSPECTION END.**

Diagnosis Procedure

INFOID:000000008281522

With CONSULT

WARNING:

- **Before servicing, turn ignition switch OFF, disconnect both battery terminals and wait at least 3 minutes. (To discharge backup capacitor.)**
- **Do not use unspecified tester or other measuring device.**

DIAGNOSTIC PROCEDURE

1.CHECK HARNESS CONNECTOR

Check the connection of harness connector.

Is the inspection result normal?

YES >> GO TO 2.

NO >> Repair or replace harness connector.

2.CHECK WIRING HARNESS

Check the wiring harness externals.

Is the inspection result normal?

YES >> GO TO 3.

NO >> Repair or replace wiring harness.

3.CHECK DRIVER AIR BAG MODULE

1. Replace driver air bag module.
2. Check the screen of CONSULT.

Is the inspection result normal?

YES >> **INSPECTION END.**

NO >> GO TO 4.

4.CHECK SPIRAL CABLE CIRCUIT

1. Turn ignition switch OFF.
2. Disconnect driver side air bag module harness connector and body side harness connector.
3. Check continuity between driver side air bag module harness connector and body side harness connector.

Driver side air bag module harness connector	Terminal	Body side harness connector	Terminal	Continuity
M350	10 11	M32	30 23	Existed

4. Check continuity between driver side air bag module harness connector and ground.

Driver side air bag module harness connector	Terminal	Ground	Continuity
M350	10 11	Ground	Not existed

Is the inspection result normal?

YES >> Check the intermittent incident. Refer to [GI-46, "Intermittent Incident"](#).

NO >> Replace spiral cable.

B1050 DRIVER AIRBAG MODULE

< DTC/CIRCUIT DIAGNOSIS >

[FOR MEXICO]

B1050 DRIVER AIRBAG MODULE

Description

INFOID:000000008281523

DTC B1050 [VB-SHORT] DRIVER AIRBAG MODULE

For driver air bag module, crash is judged by main “G” sensor output signal and sub “G” sensor in front direction.

OPERATION

In the case of a frontal collision whose acceleration exceeds the specified level, the ignition materials are ignited by electric ignition system. The system burns and introduces the chemical reaction of gas generating materials to generate hot gases that flow into the air bag through a filter and expand the bag.

STRUCTURE

Driver air bag module mainly consists of air bag and inflator which inflates air bag.

INSTALLATION

Driver air bag module is installed on the center of steering wheel with fixed bolts.

DTC Logic

INFOID:000000008281524

DTC DETECTION LOGIC

With CONSULT

DTC No. Index (“SELF-DIAG [CURRENT]”), (“SELF-DIAG [PAST]” or “TROUBLE DIAG RECORD”)

SRC

DTC No.	Trouble diagnosis name	DTC detecting condition	Possible cause
B1050	DRIVER AIRBAG MODULE [VB-SHORT]	Driver air bag module circuit is shorted to some power supply circuit. (including the spiral cable.)	<ul style="list-style-type: none">• Disconnection of wiring harness and short.• Internal breakdown in driver air bag module.• Internal breakdown in spiral cable.• Internal breakdown in diagnosis sensor unit (ACU).

DTC CONFIRMATION PROCEDURE (With CONSULT)

1.INSPECTION START

Turn ignition switch ON.

>> GO TO 2.

2.CHECK SELF-DIAG RESULT

Check the screen of CONSULT.

Is malfunctioning part detected?

YES >> Refer to [SRC-204. "Diagnosis Procedure"](#).

NO >> **INSPECTION END.**

DTC CONFIRMATION PROCEDURE (Without CONSULT)

NOTE:

- SRS will not enter diagnosis mode if no malfunction is detected in user mode.

1.INSPECTION START

Turn ignition switch ON.

B1050 DRIVER AIRBAG MODULE

[FOR MEXICO]

< DTC/CIRCUIT DIAGNOSIS >

>> GO TO 2.

2.CHECK AIR BAG WARNING LAMP

Check the warning lamp status.

Is malfunctioning part detected?

YES >> Refer to [SRC-316, "DTC Index"](#).

NO >> **INSPECTION END.**

Diagnosis Procedure

INFOID:000000008281525

With CONSULT

WARNING:

- **Before servicing, turn ignition switch OFF, disconnect both battery terminals and wait at least 3 minutes. (To discharge backup capacitor.)**
- **Do not use unspecified tester or other measuring device.**

DIAGNOSTIC PROCEDURE

1.CHECK HARNESS CONNECTOR

Check the connection of harness connector.

Is the inspection result normal?

YES >> GO TO 2.

NO >> Repair or replace harness connector.

2.CHECK WIRING HARNESS

Check the wiring harness externals.

Is the inspection result normal?

YES >> GO TO 3.

NO >> Repair or replace wiring harness.

3.CHECK DRIVER AIR BAG MODULE

1. Replace driver air bag module.
2. Check the screen of CONSULT.

Is the inspection result normal?

YES >> **INSPECTION END.**

NO >> GO TO 4.

4.CHECK SPIRAL CABLE CIRCUIT

1. Turn ignition switch OFF.
2. Disconnect driver side air bag module harness connector and body side harness connector.
3. Check continuity between driver side air bag module harness connector and body side harness connector.

Driver side air bag module harness connector	Terminal	Body side harness connector	Terminal	Continuity
M350	10 11	M32	30 23	Existed

4. Check continuity between driver side air bag module harness connector and ground.

Driver side air bag module harness connector	Terminal	Ground	Continuity
M350	10 11	Ground	Not existed

Is the inspection result normal?

YES >> Check the intermittent incident. Refer to [GI-46, "Intermittent Incident"](#).

NO >> Replace spiral cable.

B1051 DRIVER AIRBAG MODULE

< DTC/CIRCUIT DIAGNOSIS >

[FOR MEXICO]

B1051 DRIVER AIRBAG MODULE

Description

INFOID:000000008281526

DTC B1051 [GND-SHORT] DRIVER AIRBAG MODULE

For driver air bag module, crash is judged by main “G” sensor output signal and sub “G” sensor in front direction.

OPERATION

In the case of a frontal collision whose acceleration exceeds the specified level, the ignition materials are ignited by electric ignition system. The system burns and introduces the chemical reaction of gas generating materials to generate hot gases that flow into the air bag through a filter and expand the bag.

STRUCTURE

Driver air bag module mainly consists of air bag and inflator which inflates air bag.

INSTALLATION

Driver air bag module is installed on the center of steering wheel with fixed bolts.

DTC Logic

INFOID:000000008281527

DTC DETECTION LOGIC

With CONSULT

DTC No. Index (“SELF-DIAG [CURRENT]”), (“SELF-DIAG [PAST]” or “TROUBLE DIAG RECORD”)

SRC

DTC No.	Trouble diagnosis name	DTC detecting condition	Possible cause
B1051	DRIVER AIRBAG MODULE [GND-SHORT]	Driver air bag module circuit is shorted to ground. (including the spiral cable.)	<ul style="list-style-type: none">• Disconnection of wiring harness and short.• Internal breakdown in driver air bag module.• Internal breakdown in spiral cable.• Internal breakdown in diagnosis sensor unit (ACU).

DTC CONFIRMATION PROCEDURE (With CONSULT)

1.INSPECTION START

Turn ignition switch ON.

>> GO TO 2.

2.CHECK SELF-DIAG RESULT

Check the screen of CONSULT.

Is malfunctioning part detected?

YES >> Refer to [SRC-206. "Diagnosis Procedure"](#).

NO >> **INSPECTION END.**

DTC CONFIRMATION PROCEDURE (Without CONSULT)

NOTE:

- SRS will not enter diagnosis mode if no malfunction is detected in user mode.

1.INSPECTION START

Turn ignition switch ON.

B1051 DRIVER AIRBAG MODULE

[FOR MEXICO]

< DTC/CIRCUIT DIAGNOSIS >

>> GO TO 2.

2.CHECK AIR BAG WARNING LAMP

Check the warning lamp status.

Is malfunctioning part detected?

YES >> Refer to [SRC-316, "DTC Index"](#).

NO >> **INSPECTION END.**

Diagnosis Procedure

INFOID:000000008281528

With CONSULT

WARNING:

- **Before servicing, turn ignition switch OFF, disconnect both battery terminals and wait at least 3 minutes. (To discharge backup capacitor.)**
- **Do not use unspecified tester or other measuring device.**

DIAGNOSTIC PROCEDURE

1.CHECK HARNESS CONNECTOR

Check the connection of harness connector.

Is the inspection result normal?

YES >> GO TO 2.

NO >> Repair or replace harness connector.

2.CHECK WIRING HARNESS

Check the wiring harness externals.

Is the inspection result normal?

YES >> GO TO 3.

NO >> Repair or replace wiring harness.

3.CHECK DRIVER AIR BAG MODULE

1. Replace driver air bag module.
2. Check the screen of CONSULT.

Is the inspection result normal?

YES >> **INSPECTION END.**

NO >> GO TO 4.

4.CHECK SPIRAL CABLE CIRCUIT

1. Turn ignition switch OFF.
2. Disconnect driver side air bag module harness connector and body side harness connector.
3. Check continuity between driver side air bag module harness connector and body side harness connector.

Driver side air bag module harness connector	Terminal	Body side harness connector	Terminal	Continuity
M350	10 11	M32	30 23	Existed

4. Check continuity between driver side air bag module harness connector and ground.

Driver side air bag module harness connector	Terminal	Ground	Continuity
M350	10 11	Ground	Not existed

Is the inspection result normal?

YES >> Check the intermittent incident. Refer to [GI-46, "Intermittent Incident"](#).

NO >> Replace spiral cable.

B1052 DRIVER AIRBAG MODULE

< DTC/CIRCUIT DIAGNOSIS >

[FOR MEXICO]

B1052 DRIVER AIRBAG MODULE

Description

INFOID:000000008281529

DTC B1052 [SHORT] DRIVER AIRBAG MODULE

For driver air bag module, crash is judged by main “G” sensor output signal and sub “G” sensor in front direction.

OPERATION

In the case of a frontal collision whose acceleration exceeds the specified level, the ignition materials are ignited by electric ignition system. The system burns and introduces the chemical reaction of gas generating materials to generate hot gases that flow into the air bag through a filter and expand the bag.

STRUCTURE

Driver air bag module mainly consists of air bag and inflator which inflates air bag.

INSTALLATION

Driver air bag module is installed on the center of steering wheel with fixed bolts.

DTC Logic

INFOID:000000008281530

DTC DETECTION LOGIC

With CONSULT

DTC No. Index (“SELF-DIAG [CURRENT]”), (“SELF-DIAG [PAST]” or “TROUBLE DIAG RECORD”)

SRC

DTC No.	Trouble diagnosis name	DTC detecting condition	Possible cause
B1052	DRIVER AIRBAG MODULE [SHORT]	Driver air bag module circuit are shorted to each other. (including the spiral cable.)	<ul style="list-style-type: none">• Disconnection of wiring harness and short.• Internal breakdown in driver air bag module.• Internal breakdown in spiral cable.• Internal breakdown in diagnosis sensor unit (ACU).

DTC CONFIRMATION PROCEDURE (With CONSULT)

1.INSPECTION START

Turn ignition switch ON.

>> GO TO 2.

2.CHECK SELF-DIAG RESULT

Check the screen of CONSULT.

Is malfunctioning part detected?

YES >> Refer to [SRC-208. "Diagnosis Procedure"](#).

NO >> **INSPECTION END.**

DTC CONFIRMATION PROCEDURE (Without CONSULT)

NOTE:

- SRS will not enter diagnosis mode if no malfunction is detected in user mode.

1.INSPECTION START

Turn ignition switch ON.

B1052 DRIVER AIRBAG MODULE

[FOR MEXICO]

< DTC/CIRCUIT DIAGNOSIS >

>> GO TO 2.

2.CHECK AIR BAG WARNING LAMP

Check the warning lamp status.

Is malfunctioning part detected?

YES >> Refer to [SRC-316, "DTC Index"](#).

NO >> **INSPECTION END.**

Diagnosis Procedure

INFOID:000000008281531

With CONSULT

WARNING:

- **Before servicing, turn ignition switch OFF, disconnect both battery terminals and wait at least 3 minutes. (To discharge backup capacitor.)**
- **Do not use unspecified tester or other measuring device.**

DIAGNOSTIC PROCEDURE

1.CHECK HARNESS CONNECTOR

Check the connection of harness connector.

Is the inspection result normal?

YES >> GO TO 2.

NO >> Repair or replace harness connector.

2.CHECK WIRING HARNESS

Check the wiring harness externals.

Is the inspection result normal?

YES >> GO TO 3.

NO >> Repair or replace wiring harness.

3.CHECK DRIVER AIR BAG MODULE

1. Replace driver air bag module.
2. Check the screen of CONSULT.

Is the inspection result normal?

YES >> **INSPECTION END.**

NO >> GO TO 4.

4.CHECK SPIRAL CABLE CIRCUIT

1. Turn ignition switch OFF.
2. Disconnect driver side air bag module harness connector and body side harness connector.
3. Check continuity between driver side air bag module harness connector and body side harness connector.

Driver side air bag module harness connector	Terminal	Body side harness connector	Terminal	Continuity
M350	10 11	M32	30 23	Existed

4. Check continuity between driver side air bag module harness connector and ground.

Driver side air bag module harness connector	Terminal	Ground	Continuity
M350	10 11	Ground	Not existed

Is the inspection result normal?

YES >> Check the intermittent incident. Refer to [GI-46, "Intermittent Incident"](#).

NO >> Replace spiral cable.

B1058, B1059, B1060, B1061, B1062, B1063 DIAGNOSIS SENSOR UNIT

< DTC/CIRCUIT DIAGNOSIS >

[FOR MEXICO]

B1058, B1059, B1060, B1061, B1062, B1063 DIAGNOSIS SENSOR UNIT

Description

INFOID:000000008281532

DTC B1058, B1059, B1060, B1061, B1062, B1063 DIAGNOSIS SENSOR UNIT

Detects the whole SRS electrical system and displays the malfunction either by illuminating or blinking the air bag warning lamp in the combination meter. Malfunctioning part can be detected by on board self-diagnosis system and electro-diagnosis tester CONSULT.

OPERATION

It detects a shock that exceeds specified level and monitors such systems as the driver and passenger air bag, side air bag, curtain air bag, pre-tensioner seat belts operate properly.

STRUCTURE

It contains the "G" sensors for both frontal and side collisions and spare battery function in case of main battery damage in collision.

INSTALLATION

SRS diagnosis sensor unit is installed under the center console with fixed bolts.

DTC Logic

INFOID:000000008281533

DTC DETECTION LOGIC

With CONSULT

DTC No. Index ("SELF-DIAG [CURRENT]"), ("SELF-DIAG [PAST]" or "TROUBLE DIAG RECORD")

DTC No.	Trouble diagnosis name	DTC detecting condition	Possible cause
B1058 B1059 B1060 B1061 B1062 B1063	CONTROL UNIT	Diagnosis sensor unit is out of order.	Internal breakdown in diagnosis sensor unit (ACU).

DTC CONFIRMATION PROCEDURE (With CONSULT)

1.INSPECTION START

Turn ignition switch ON.

>> GO TO 2.

2.CHECK SELF-DIAG RESULT

Check the screen of CONSULT.

Is malfunctioning part detected?

- YES >> Refer to [SRC-210. "Diagnosis Procedure"](#).
- NO >> **INSPECTION END.**

DTC CONFIRMATION PROCEDURE (Without CONSULT)

NOTE:

- SRS will not enter diagnosis mode if no malfunction is detected in user mode.

1.INSPECTION START

Turn ignition switch ON.

A
B
C
D
E
F
G
I
J
K
L
M
N
O
P

SRC

B1058, B1059, B1060, B1061, B1062, B1063 DIAGNOSIS SENSOR UNIT

[FOR MEXICO]

< DTC/CIRCUIT DIAGNOSIS >

>> GO TO 2.

2.CHECK AIR BAG WARNING LAMP

Check the warning lamp status.

Is malfunctioning part detected?

YES >> Refer to [SRC-316, "DTC Index"](#).

NO >> **INSPECTION END.**

Diagnosis Procedure

INFOID:000000008281534

With CONSULT

WARNING:

- **Before servicing, turn ignition switch OFF, disconnect both battery terminals and wait at least 3 minutes. (To discharge backup capacitor.)**
- **Do not use unspecified tester or other measuring device.**

DIAGNOSTIC PROCEDURE

1.CHECK HARNESS CONNECTOR

Check the connection of harness connector.

Is the inspection result normal?

YES >> GO TO 2.

NO >> Repair or replace harness connectors.

2.CHECK WIRING HARNESS

Check the wiring harness externals.

Is the inspection result normal?

YES >> GO TO 3.

NO >> Replace wiring harness.

3.CHECK DIAGNOSIS SENSOR UNIT

1. Replace diagnosis sensor unit (ACU).

2. Check the screen of CONSULT.

Is the inspection result normal?

YES >> **INSPECTION END.**

NO >> Check the intermittent incident. Refer to [GI-46, "Intermittent Incident"](#).

B1065 ASSIST A/B MODULE

Description

INFOID:000000008281535

DTC B1065 [OPEN] ASSIST A/B MODULE

For front passenger air bag module, crash is judged by main “G” sensor output signal and sub “G” sensor in front direction.

OPERATION

In the case of a frontal collision whose acceleration exceeds the specified level, the ignition materials are ignited by electric ignition system. The system burns and introduces the chemical reaction of gas generating materials to generate hot gases that flow into the air bag through a filter and expand the bag.

STRUCTURE

Front passenger air bag module mainly consists of air bag and inflator which inflates air bag.

INSTALLATION

Front passenger air bag module is installed on the instrument panel with fixed bolts.

DTC Logic

INFOID:000000008281536

DTC DETECTION LOGIC

With CONSULT

DTC No. Index (“SELF-DIAG [CURRENT]”), (“SELF-DIAG [PAST]” or “TROUBLE DIAG RECORD”)

SRC

DTC No.	Trouble diagnosis name	DTC detecting condition	Possible cause
B1065	ASSIST A/B MODULE [OPEN]	Front passenger air bag module circuit is open.	<ul style="list-style-type: none"> • Disconnection of wiring harness and open. • Internal breakdown in front passenger air bag module. • Internal breakdown in diagnosis sensor unit (ACU).

DTC CONFIRMATION PROCEDURE (With CONSULT)

1.INSPECTION START

Turn ignition switch ON.

>> GO TO 2.

2.CHECK SELF-DIAG RESULT

Check the screen of CONSULT.

Is malfunctioning part detected?

- YES >> Refer to [SRC-212, "Diagnosis Procedure"](#).
- NO >> **INSPECTION END.**

DTC CONFIRMATION PROCEDURE (Without CONSULT)

NOTE:

- SRS will not enter diagnosis mode if no malfunction is detected in user mode.

1.INSPECTION START

Turn ignition switch ON.

>> GO TO 2.

< DTC/CIRCUIT DIAGNOSIS >

2.CHECK AIR BAG WARNING LAMP

Check the warning lamp status.

Is malfunctioning part detected?

- YES >> Refer to [SRC-316, "DTC Index"](#).
NO >> **INSPECTION END.**

Diagnosis Procedure

INFOID:000000008281537

With CONSULT

WARNING:

- Before servicing, turn ignition switch OFF, disconnect both battery terminals and wait at least 3 minutes. (To discharge backup capacitor.)
- Do not use unspecified tester or other measuring device.

DIAGNOSTIC PROCEDURE

1.CHECK HARNESS CONNECTOR

Check the connection of harness connector.

Is the inspection result normal?

- YES >> GO TO 2.
NO >> Repair or replace harness connector.

2.CHECK WIRING HARNESS

Check the wiring harness externals.

Is the inspection result normal?

- YES >> GO TO 3.
NO >> Repair or replace wiring harness.

3.CHECK FRONT PASSENGER AIR BAG MODULE

1. Replace front passenger air bag module.
2. Check the screen of CONSULT.

Is the inspection result normal?

- YES >> **INSPECTION END.**
NO >> Check the intermittent incident. Refer to [GI-46, "Intermittent Incident"](#).

B1066 ASSIST A/B MODULE

Description

INFOID:000000008281538

DTC B1066 [VB-SHORT] ASSIST A/B MODULE

For front passenger air bag module, crash is judged by main “G” sensor output signal and sub “G” sensor in front direction.

OPERATION

In the case of a frontal collision whose acceleration exceeds the specified level, the ignition materials are ignited by electric ignition system. The system burns and introduces the chemical reaction of gas generating materials to generate hot gases that flow into the air bag through a filter and expand the bag.

STRUCTURE

Front passenger air bag module mainly consists of air bag and inflator which inflates air bag.

INSTALLATION

Front passenger air bag module is installed on the instrument panel with fixed bolts.

DTC Logic

INFOID:000000008281539

DTC DETECTION LOGIC

With CONSULT

DTC No. Index (“SELF-DIAG [CURRENT]”), (“SELF-DIAG [PAST]” or “TROUBLE DIAG RECORD”)

SRC

DTC No.	Trouble diagnosis name	DTC detecting condition	Possible cause
B1066	ASSIST A/B MODULE [VB-SHORT]	Front passenger air bag module circuit is shorted to some power supply circuit.	<ul style="list-style-type: none"> • Disconnection of wiring harness and short. • Internal breakdown in front passenger air bag module. • Internal breakdown in diagnosis sensor unit (ACU).

DTC CONFIRMATION PROCEDURE (With CONSULT)

1.INSPECTION START

Turn ignition switch ON.

>> GO TO 2.

2.CHECK SELF-DIAG RESULT

Check the screen of CONSULT.

Is malfunctioning part detected?

- YES >> Refer to [SRC-214, "Diagnosis Procedure"](#).
- NO >> **INSPECTION END.**

DTC CONFIRMATION PROCEDURE (Without CONSULT)

NOTE:

- SRS will not enter diagnosis mode if no malfunction is detected in user mode.

1.INSPECTION START

Turn ignition switch ON.

>> GO TO 2.

< DTC/CIRCUIT DIAGNOSIS >

2.CHECK AIR BAG WARNING LAMP

Check the warning lamp status.

Is malfunctioning part detected?

- YES >> Refer to [SRC-316, "DTC Index"](#).
- NO >> **INSPECTION END.**

Diagnosis Procedure

INFOID:000000008281540

With CONSULT

WARNING:

- Before servicing, turn ignition switch OFF, disconnect both battery terminals and wait at least 3 minutes. (To discharge backup capacitor.)
- Do not use unspecified tester or other measuring device.

DIAGNOSTIC PROCEDURE

1.CHECK HARNESS CONNECTOR

Check the connection of harness connector.

Is the inspection result normal?

- YES >> GO TO 2.
- NO >> Repair or replace harness connector.

2.CHECK WIRING HARNESS

Check the wiring harness externals.

Is the inspection result normal?

- YES >> GO TO 3.
- NO >> Repair or replace wiring harness.

3.CHECK FRONT PASSENGER AIR BAG MODULE

1. Replace front passenger air bag module.
2. Check the screen of CONSULT.

Is the inspection result normal?

- YES >> **INSPECTION END.**
- NO >> Check the intermittent incident. Refer to [GI-46, "Intermittent Incident"](#).

B1067 ASSIST A/B MODULE

Description

INFOID:000000008281541

DTC B1067 [GND-SHORT] ASSIST A/B MODULE

For front passenger air bag module, crash is judged by main “G” sensor output signal and sub “G” sensor in front direction.

OPERATION

In the case of a frontal collision whose acceleration exceeds the specified level, the ignition materials are ignited by electric ignition system. The system burns and introduces the chemical reaction of gas generating materials to generate hot gases that flow into the air bag through a filter and expand the bag.

STRUCTURE

Front passenger air bag module mainly consists of air bag and inflator which inflates air bag.

INSTALLATION

Front passenger air bag module is installed on the instrument panel with fixed bolts.

DTC Logic

INFOID:000000008281542

DTC DETECTION LOGIC

With CONSULT

DTC No. Index (“SELF-DIAG [CURRENT]”), (“SELF-DIAG [PAST]” or “TROUBLE DIAG RECORD”)

SRC

DTC No.	Trouble diagnosis name	DTC detecting condition	Possible cause
B1067	ASSIST A/B MODULE [GND-SHORT]	Front passenger air bag module circuit is shorted to ground.	<ul style="list-style-type: none"> • Disconnection of wiring harness and short. • Internal breakdown in front passenger air bag module. • Internal breakdown in diagnosis sensor unit (ACU).

DTC CONFIRMATION PROCEDURE (With CONSULT)

1.INSPECTION START

Turn ignition switch ON.

>> GO TO 2.

2.CHECK SELF-DIAG RESULT

Check the screen of CONSULT.

Is malfunctioning part detected?

- YES >> Refer to [SRC-216, "Diagnosis Procedure"](#).
- NO >> **INSPECTION END.**

DTC CONFIRMATION PROCEDURE (Without CONSULT)

NOTE:

- SRS will not enter diagnosis mode if no malfunction is detected in user mode.

1.INSPECTION START

Turn ignition switch ON.

>> GO TO 2.

< DTC/CIRCUIT DIAGNOSIS >

2.CHECK AIR BAG WARNING LAMP

Check the warning lamp status.

Is malfunctioning part detected?

- YES >> Refer to [SRC-316, "DTC Index"](#).
NO >> **INSPECTION END.**

Diagnosis Procedure

INFOID:000000008281543

With CONSULT

WARNING:

- Before servicing, turn ignition switch OFF, disconnect both battery terminals and wait at least 3 minutes. (To discharge backup capacitor.)
- Do not use unspecified tester or other measuring device.

DIAGNOSTIC PROCEDURE

1.CHECK HARNESS CONNECTOR

Check the connection of harness connector.

Is the inspection result normal?

- YES >> GO TO 2.
NO >> Repair or replace harness connector.

2.CHECK WIRING HARNESS

Check the wiring harness externals.

Is the inspection result normal?

- YES >> GO TO 3.
NO >> Replace wiring harness.

3.CHECK FRONT PASSENGER AIR BAG MODULE

1. Replace front passenger air bag module.
2. Check the screen of CONSULT.

Is the inspection result normal?

- YES >> **INSPECTION END.**
NO >> Check the intermittent incident. Refer to [GI-46, "Intermittent Incident"](#).

B1068 ASSIST A/B MODULE

Description

INFOID:000000008281544

DTC B1068 [SHORT] ASSIST A/B MODULE

For front passenger air bag module, crash is judged by main “G” sensor output signal and sub “G” sensor in front direction.

OPERATION

In the case of a frontal collision whose acceleration exceeds the specified level, the ignition materials are ignited by electric ignition system. The system burns and introduces the chemical reaction of gas generating materials to generate hot gases that flow into the air bag through a filter and expand the bag.

STRUCTURE

Front passenger air bag module mainly consists of air bag and inflator which inflates air bag.

INSTALLATION

Front passenger air bag module is installed on the instrument panel with fixed bolts.

DTC Logic

INFOID:000000008281545

DTC DETECTION LOGIC

With CONSULT

DTC No. Index (“SELF-DIAG [CURRENT]”), (“SELF-DIAG [PAST]” or “TROUBLE DIAG RECORD”)

SRC

DTC No.	Trouble diagnosis name	DTC detecting condition	Possible cause
B1068	ASSIST A/B MODULE [SHORT]	Front passenger air bag module circuits are shorted to each other.	<ul style="list-style-type: none"> • Disconnection of wiring harness and short. • Internal breakdown in front passenger air bag module. • Internal breakdown in diagnosis sensor unit (ACU).

DTC CONFIRMATION PROCEDURE (With CONSULT)

1.INSPECTION START

Turn ignition switch ON.

>> GO TO 2.

2.CHECK SELF-DIAG RESULT

Check the screen of CONSULT.

Is malfunctioning part detected?

- YES >> Refer to [SRC-218, "Diagnosis Procedure"](#).
- NO >> **INSPECTION END.**

DTC CONFIRMATION PROCEDURE (Without CONSULT)

NOTE:

- SRS will not enter diagnosis mode if no malfunction is detected in user mode.

1.INSPECTION START

Turn ignition switch ON.

>> GO TO 2.

< DTC/CIRCUIT DIAGNOSIS >

2.CHECK AIR BAG WARNING LAMP

Check the warning lamp status.

Is malfunctioning part detected?

- YES >> Refer to [SRC-316, "DTC Index"](#).
- NO >> **INSPECTION END.**

Diagnosis Procedure

INFOID:000000008281546

With CONSULT

WARNING:

- Before servicing, turn ignition switch OFF, disconnect both battery terminal and wait at least 3 minutes. (To discharge backup capacitor.)
- Do not use unspecified tester or other measuring device.

DIAGNOSTIC PROCEDURE

1.CHECK HARNESS CONNECTOR

Check the connection of harness connector.

Is the inspection result normal?

- YES >> GO TO 2.
- NO >> Repair or replace harness connector.

2.CHECK WIRING HARNESS

Check the wiring harness externals.

Is the inspection result normal?

- YES >> GO TO 3.
- NO >> Repair or replace wiring harness.

3.CHECK FRONT PASSENGER AIR BAG MODULE

1. Replace front passenger air bag module.
2. Check the screen of CONSULT.

Is the inspection result normal?

- YES >> **INSPECTION END.**
- NO >> Check the intermittent incident. Refer to [GI-46, "Intermittent Incident"](#).

B1074, B1075, B1076, B1077, B1078, B1079 DIAGNOSIS SENSOR UNIT

< DTC/CIRCUIT DIAGNOSIS >

[FOR MEXICO]

B1074, B1075, B1076, B1077, B1078, B1079 DIAGNOSIS SENSOR UNIT

Description

INFOID:000000008281547

DTC B1074, B1075, B1076, B1077, B1078, B1079 DIAGNOSIS SENSOR UNIT

Detects the whole SRS electrical system and displays the malfunction either by illuminating or blinking the air bag warning lamp in the combination meter. Malfunctioning part can be detected by on board self-diagnosis system and electro-diagnosis tester CONSULT.

OPERATION

It detects a shock that exceeds specified level and monitors such systems as the driver and passenger air bag, side air bag, curtain air bag, pre-tensioner seat belts operate properly.

STRUCTURE

It contains the "G" sensors for both frontal and side collisions and spare battery function in case of main battery damage in collision.

INSTALLATION

SRS diagnosis sensor unit is installed under the center console with fixed bolts.

DTC Logic

INFOID:000000008281548

DTC DETECTION LOGIC

With CONSULT

DTC No. Index ("SELF-DIAG [CURRENT]"), ("SELF-DIAG [PAST]" or "TROUBLE DIAG RECORD")

DTC No.	Trouble diagnosis name	DTC detecting condition	Possible cause
B1074 B1075 B1076 B1077 B1078 B1079	CONTROL UNIT	Diagnosis sensor unit is out of order.	Internal breakdown in diagnosis sensor unit (ACU).

DTC CONFIRMATION PROCEDURE (With CONSULT)

1.INSPECTION START

Turn ignition switch ON.

>> GO TO 2.

2.CHECK SELF-DIAG RESULT

Check the screen of CONSULT.

Is malfunctioning part detected?

- YES >> Refer to [SRC-220. "Diagnosis Procedure"](#).
- NO >> **INSPECTION END.**

DTC CONFIRMATION PROCEDURE (Without CONSULT)

NOTE:

- SRS will not enter diagnosis mode if no malfunction is detected in user mode.

1.INSPECTION START

Turn ignition switch ON.

A
B
C
D
E
F
G
I
J
K
L
M
N
O
P

SRC

B1074, B1075, B1076, B1077, B1078, B1079 DIAGNOSIS SENSOR UNIT

< DTC/CIRCUIT DIAGNOSIS >

[FOR MEXICO]

>> GO TO 2.

2.CHECK AIR BAG WARNING LAMP

Check the warning lamp status.

Is malfunctioning part detected?

YES >> Refer to [SRC-316, "DTC Index"](#).

NO >> **INSPECTION END.**

Diagnosis Procedure

INFOID:000000008281549

With CONSULT

WARNING:

- **Before servicing, turn ignition switch OFF, disconnect both battery terminals and wait at least 3 minutes. (To discharge backup capacitor.)**
- **Do not use unspecified tester or other measuring device.**

DIAGNOSTIC PROCEDURE

1.CHECK HARNESS CONNECTOR

Check the connection of harness connector.

Is the inspection result normal?

YES >> GO TO 2.

NO >> Repair or replace harness connectors.

2.CHECK WIRING HARNESS

Check the wiring harness externals.

Is the inspection result normal?

YES >> GO TO 3.

NO >> Repair or replace wiring harness.

3.CHECK DIAGNOSIS SENSOR UNIT

1. Replace diagnosis sensor unit (ACU).

2. Check the screen of CONSULT.

Is the inspection result normal?

YES >> **INSPECTION END.**

NO >> Check the intermittent incident. Refer to [GI-46, "Intermittent Incident"](#).

B1081 PRE-TEN FRONT RH

Description

INFOID:000000008281550

DTC B1081 [OPEN] PRE-TEN FRONT RH

For front RH seat belt pre-tensioner, crash is judged by main “G” sensor output signal and sub “G” sensor in front direction.

OPERATION

In the case of a frontal collision that exceeds specified impact level, the diagnosis sensor unit detects the deceleration caused by collision. If restrains the passenger with seat belt easing the stress on passengers chest with load limiter.

STRUCTURE

The restraint system for front seat occupant consists of the pre-tensioner mechanism and load limiter mechanism.

INSTALLATION

Front RH seat belt pre-tensioner is installed on the underside of center pillar with fixed nuts.

DTC Logic

INFOID:000000008281551

DTC DETECTION LOGIC

With CONSULT

DTC No. Index (“SELF-DIAG [CURRENT]”), (“SELF-DIAG [PAST]” or “TROUBLE DIAG RECORD”)

SRC

DTC No.	Trouble diagnosis name	DTC detecting condition	Possible cause
B1081	PRE-TEN FRONT RH [OPEN]	Front RH seat belt pre-tensioner circuit is open.	<ul style="list-style-type: none"> • Disconnection of wiring harness and open. • Internal breakdown in front RH seat belt pre-tensioner. • Internal breakdown in diagnosis sensor unit (ACU).

DTC CONFIRMATION PROCEDURE (With CONSULT)

1.INSPECTION START

Turn ignition switch ON.

>> GO TO 2.

2.CHECK SELF-DIAG RESULT

Check the screen of CONSULT.

Is malfunctioning part detected?

YES >> Refer to [SRC-222. "Diagnosis Procedure"](#).

NO >> **INSPECTION END.**

DTC CONFIRMATION PROCEDURE (Without CONSULT)

NOTE:

- SRS will not enter diagnosis mode if no malfunction is detected in user mode.

1.INSPECTION START

Turn ignition switch ON.

< DTC/CIRCUIT DIAGNOSIS >

>> GO TO 2.

2.CHECK AIR BAG WARNING LAMP

Check the warning lamp status.

Is malfunctioning part detected?YES >> Refer to [SRC-316, "DTC Index"](#).NO >> **INSPECTION END.**

Diagnosis Procedure

INFOID:000000008281552

With CONSULT

WARNING:

- **Before servicing, turn ignition switch OFF, disconnect both battery terminals and wait at least 3 minutes. (To discharge backup capacitor.)**
- **Do not use unspecified tester or other measuring device.**

DIAGNOSTIC PROCEDURE

1.CHECK HARNESS CONNECTOR

Check the connection of harness connector.

Is the inspection result normal?

YES >> GO TO 2.

NO >> Repair or replace harness connector.

2.CHECK WIRING HARNESS

Check the wiring harness externals.

Is the inspection result normal?

YES >> GO TO 3.

NO >> Repair or replace wiring harness.

3.CHECK FRONT SEAT BELT PRE-TENSIONER

1. Replace front RH seat belt pre-tensioner.

2. Check the screen of CONSULT.

Is the inspection result normal?YES >> **INSPECTION END.**NO >> Check the intermittent incident. Refer to [GI-46, "Intermittent Incident"](#).

B1082 PRE-TEN FRONT RH

Description

INFOID:000000008281553

DTC B1082 [VB-SHORT] PRE-TEN FRONT RH

For front RH seat belt pre-tensioner, crash is judged by main "G" sensor output signal and sub "G" sensor in front direction.

OPERATION

In the case of a frontal collision that exceeds specified impact level, the diagnosis sensor unit detects the deceleration caused by collision. If restrains the passenger with seat belt easing the stress on passengers chest with load limiter.

STRUCTURE

The restraint system for front seat occupant consists of the pre-tensioner mechanism and load limiter mechanism.

INSTALLATION

Front RH seat belt pre-tensioner is installed on the underside of center pillar with fixed nuts.

DTC Logic

INFOID:000000008281554

DTC DETECTION LOGIC

With CONSULT

DTC No. Index ("SELF-DIAG [CURRENT]"), ("SELF-DIAG [PAST]" or "TROUBLE DIAG RECORD")

SRC

DTC No.	Trouble diagnosis name	DTC detecting condition	Possible cause
B1082	PRE-TEN FRONT RH [VB-SHORT]	Front RH seat belt pre-tensioner circuit is shorted to some power supply circuit.	<ul style="list-style-type: none"> • Disconnection of wiring harness and short. • Internal breakdown in front RH seat belt pre-tensioner. • Internal breakdown in diagnosis sensor unit (ACU).

DTC CONFIRMATION PROCEDURE (With CONSULT)

1.INSPECTION START

Turn ignition switch ON.

>> GO TO 2.

2.CHECK SELF-DIAG RESULT

Check the screen of CONSULT.

Is malfunctioning part detected?

- YES >> Refer to [SRC-224. "Diagnosis Procedure"](#).
- NO >> **INSPECTION END.**

DTC CONFIRMATION PROCEDURE (Without CONSULT)

NOTE:

- SRS will not enter diagnosis mode if no malfunction is detected in user mode.

1.INSPECTION START

Turn ignition switch ON.

< DTC/CIRCUIT DIAGNOSIS >

>> GO TO 2.

2.CHECK AIR BAG WARNING LAMP

Check the warning lamp status.

Is malfunctioning part detected?YES >> Refer to [SRC-316, "DTC Index"](#).NO >> **INSPECTION END.**

Diagnosis Procedure

INFOID:000000008281555

With CONSULT

WARNING:

- Before servicing, turn ignition switch OFF, disconnect both battery terminals and wait at least 3 minutes. (To discharge backup capacitor.)
- Do not use unspecified tester or other measuring device.

DIAGNOSTIC PROCEDURE

1.CHECK HARNESS CONNECTOR

Check the connection of harness connector.

Is the inspection result normal?

YES >> GO TO 2.

NO >> Repair or replace harness connector.

2.CHECK WIRING HARNESS

Check the wiring harness externals.

Is the inspection result normal?

YES >> GO TO 3.

NO >> Repair or replace wiring harness.

3.CHECK FRONT SEAT BELT PRE-TENSIONER

1. Replace front RH seat belt pre-tensioner.

2. Check the screen of CONSULT.

Is the inspection result normal?YES >> **INSPECTION END.**NO >> Check the intermittent incident. Refer to [GI-46, "Intermittent Incident"](#).

B1083 PRE-TEN FRONT RH

Description

INFOID:000000008281556

DTC B1083 [GND-SHORT] PRE-TEN FRONT RH

For front RH seat belt pre-tensioner, crash is judged by main “G” sensor output signal and sub “G” sensor in front direction.

OPERATION

In case of frontal collision that exceeds specified impact level, the diagnosis sensor unit detects the deceleration caused by collision. If restrains the passenger with seat belt easing the stress on passengers chest with load limiter.

STRUCTURE

The restraint system for front seat occupant consists of the pre-tensioner mechanism and load limiter mechanism.

INSTALLATION

Front RH seat belt pre-tensioner is installed on the underside of center pillar with fixed nuts.

DTC Logic

INFOID:000000008281557

DTC DETECTION LOGIC

With CONSULT

DTC No. Index (“SELF-DIAG [CURRENT]”), (“SELF-DIAG [PAST]” or “TROUBLE DIAG RECORD”)

SRC

DTC No.	Trouble diagnosis name	DTC detecting condition	Possible cause
B1083	PRE-TEN FRONT RH [GND-SHORT]	Front RH seat belt pre-tensioner circuit is shorted to ground.	<ul style="list-style-type: none"> • Disconnection of wiring harness and short. • Internal breakdown in front RH seat belt pre-tensioner. • Internal breakdown in diagnosis sensor unit (ACU).

DTC CONFIRMATION PROCEDURE (With CONSULT)

1.INSPECTION START

Turn ignition switch ON.

>> GO TO 2.

2.CHECK SELF-DIAG RESULT

Check the screen of CONSULT.

Is malfunctioning part detected?

YES >> Refer to [SRC-226. "Diagnosis Procedure"](#).

NO >> **INSPECTION END.**

DTC CONFIRMATION PROCEDURE (Without CONSULT)

NOTE:

- SRS will not enter diagnosis mode if no malfunction is detected in user mode.

1.INSPECTION START

Turn ignition switch ON.

< DTC/CIRCUIT DIAGNOSIS >

>> GO TO 2.

2.CHECK AIR BAG WARNING LAMP

Check the warning lamp status.

Is malfunctioning part detected?YES >> Refer to [SRC-316, "DTC Index"](#).NO >> **INSPECTION END.**

Diagnosis Procedure

INFOID:000000008281558

With CONSULT

WARNING:

- Before servicing, turn ignition switch OFF, disconnect both battery terminals and wait at least 3 minutes. (To discharge backup capacitor.)
- Do not use unspecified tester or other measuring device.

DIAGNOSTIC PROCEDURE

1.CHECK HARNESS CONNECTOR

Check the connection of harness connector.

Is the inspection result normal?

YES >> GO TO 2.

NO >> Repair or replace harness connector.

2.CHECK WIRING HARNESS

Check the wiring harness externals.

Is the inspection result normal?

YES >> GO TO 3.

NO >> Repair or replace wiring harness.

3.CHECK FRONT SEAT BELT PRE-TENSIONER

1. Replace front RH seat belt pre-tensioner.

2. Check the screen of CONSULT.

Is the inspection result normal?YES >> **INSPECTION END.**NO >> Check the intermittent incident. Refer to [GI-46, "Intermittent Incident"](#).

B1084 PRE-TEN FRONT RH

< DTC/CIRCUIT DIAGNOSIS >

[FOR MEXICO]

B1084 PRE-TEN FRONT RH

Description

INFOID:000000008281559

DTC B1084 [SHORT] PRE-TEN FRONT RH

For front RH seat belt pre-tensioner, crash is judged by main "G" sensor output signal and sub "G" sensor in front direction.

OPERATION

In the case of a frontal collision that exceeds specified impact level, the diagnosis sensor unit detects the deceleration caused by collision. If restrains the passenger with seat belt easing the stress on passengers chest with load limiter.

STRUCTURE

The restraint system for front seat occupant consists of the pre-tensioner mechanism and load limiter mechanism.

INSTALLATION

Front RH seat belt pre-tensioner is installed on the underside of center pillar with fixed nuts.

DTC Logic

INFOID:000000008281560

DTC DETECTION LOGIC

With CONSULT

DTC No. Index ("SELF-DIAG [CURRENT]"), ("SELF-DIAG [PAST]" or "TROUBLE DIAG RECORD")

DTC No.	Trouble diagnosis name	DTC detecting condition	Possible cause
B1084	PRE-TEN FRONT RH [SHORT]	Front RH seat belt pre-tensioner circuit are shorted to each other.	<ul style="list-style-type: none">• Disconnection of wiring harness and short.• Internal breakdown in front RH seat belt pre-tensioner.• Internal breakdown in diagnosis sensor unit (ACU).

DTC CONFIRMATION PROCEDURE (With CONSULT)

1.INSPECTION START

Turn ignition switch ON.

>> GO TO 2.

2.CHECK SELF-DIAG RESULT

Check the screen of CONSULT.

Is malfunctioning part detected?

YES >> Refer to [SRC-228. "Diagnosis Procedure"](#).

NO >> **INSPECTION END.**

DTC CONFIRMATION PROCEDURE (Without CONSULT)

NOTE:

- SRS will not enter diagnosis mode if no malfunction is detected in user mode.

1.INSPECTION START

Turn ignition switch ON.

A

B

C

D

E

F

G

SRC

I

J

K

L

M

N

O

P

< DTC/CIRCUIT DIAGNOSIS >

>> GO TO 2.

2.CHECK AIR BAG WARNING LAMP

Check the warning lamp status.

Is malfunctioning part detected?

YES >> Refer to [SRC-316, "DTC Index"](#).

NO >> **INSPECTION END.**

Diagnosis Procedure

INFOID:000000008281561

With CONSULT

WARNING:

- **Before servicing, turn ignition switch OFF, disconnect both battery terminals and wait at least 3 minutes. (To discharge backup capacitor.)**
- **Do not use unspecified tester or other measuring device.**

DIAGNOSTIC PROCEDURE

1.CHECK HARNESS CONNECTOR

Check the connection of harness connector.

Is the inspectiion result normal?

YES >> GO TO 2.

NO >> Repair or replace harness connector.

2.CHECK WIRING HARNESS

Check the wiring harness externals.

Is the inspection result normal?

YES >> GO TO 3.

NO >> Repair or replace wiring harness.

3.CHECK FRONT SEAT BELT PRE-TENSIONER

1. Replace front RH seat belt pre-tensioner.

2. Check the screen of CONSULT.

Is the inspection result normal?

YES >> **INSPECTION END.**

NO >> Check the intermittent incident. Refer to [GI-46, "Intermittent Incident"](#).

B1086 PRE-TEN FRONT LH

< DTC/CIRCUIT DIAGNOSIS >

[FOR MEXICO]

B1086 PRE-TEN FRONT LH

Description

INFOID:000000008281562

DTC B1086 [OPEN] PRE-TEN FRONT LH

For front LH seat belt pre-tensioner, crash is judged by main "G" sensor output signal and sub "G" sensor in front direction.

OPERATION

In the case of a frontal collision that exceeds specified impact level, the diagnosis sensor unit detects the deceleration caused by collision. If restrains the passenger with seat belt easing the stress on passengers chest with load limiter.

STRUCTURE

The restraint system for front seat occupant consists of the pre-tensioner mechanism and load limiter mechanism.

INSTALLATION

Front LH seat belt pre-tensioner is installed on the underside of center pillar with fixed nuts.

DTC Logic

INFOID:000000008281563

DTC DETECTION LOGIC

With CONSULT

DTC No. Index ("SELF-DIAG [CURRENT]"), ("SELF-DIAG [PAST]" or "TROUBLE DIAG RECORD")

DTC No.	Trouble diagnosis name	DTC detecting condition	Possible cause
B1086	PRE-TEN FRONT LH [OPEN]	Front LH seat belt pre-tensioner circuit is open.	<ul style="list-style-type: none"> Disconnection of wiring harness and open. Internal breakdown in front LH seat belt pre-tensioner. Internal breakdown in diagnosis sensor unit (ACU).

DTC CONFIRMATION PROCEDURE (With CONSULT)

1.INSPECTION START

Turn ignition switch ON.

>> GO TO 2.

2.CHECK SELF-DIAG RESULT

Check the screen of CONSULT.

Is malfunctioning part detected?

- YES >> Refer to [SRC-230. "Diagnosis Procedure"](#).
- NO >> **INSPECTION END.**

DTC CONFIRMATION PROCEDURE (Without CONSULT)

NOTE:

- SRS will not enter diagnosis mode if no malfunction is detected in user mode.

1.INSPECTION START

Turn ignition switch ON.

A
B
C
D
E
F
G
I
J
K
L
M
N
O
P

SRC

< DTC/CIRCUIT DIAGNOSIS >

>> GO TO 2.

2.CHECK AIR BAG WARNING LAMP

Check the warning lamp status.

Is malfunctioning part detected?

YES >> Refer to [SRC-316, "DTC Index"](#).

NO >> **INSPECTION END.**

Diagnosis Procedure

INFOID:000000008281564

With CONSULT

WARNING:

- **Before servicing, turn ignition switch OFF, disconnect both battery terminals and wait at least 3 minutes. (To discharge backup capacitor.)**
- **Do not use unspecified tester or other measuring device.**

DIAGNOSTIC PROCEDURE

1.CHECK HARNESS CONNECTOR

Check the connection of harness connector.

Is the inspection result normal?

YES >> GO TO 2.

NO >> Repair or replace harness connector.

2.CHECK WIRING HARNESS

Check the wiring harness externals.

Is the inspection result normal?

YES >> GO TO 3.

NO >> Replace wiring harness.

3.CHECK FRONT SEAT BELT PRE-TENSIONER

1. Replace front LH seat belt pre-tensioner.

2. Check the screen of CONSULT.

Is the inspection result normal?

YES >> **INSPECTION END.**

NO >> Check the intermittent incident. Refer to [GI-46, "Intermittent Incident"](#).

B1087 PRE-TEN FRONT LH

< DTC/CIRCUIT DIAGNOSIS >

[FOR MEXICO]

B1087 PRE-TEN FRONT LH

Description

INFOID:000000008281565

DTC B1087 [VB-SHORT] PRE-TEN FRONT LH

For front LH seat belt pre-tensioner, crash is judged by main "G" sensor output signal and sub "G" sensor in front direction.

OPERATION

In the case of a frontal collision that exceeds specified impact level, the diagnosis sensor unit detects the deceleration caused by collision. If restrains the passenger with seat belt easing the stress on passengers chest with load limiter.

STRUCTURE

The restraint system for front seat occupant consists of the pre-tensioner mechanism and load limiter mechanism.

INSTALLATION

Front LH seat belt pre-tensioner is installed on the underside of center pillar with fixed nuts.

DTC Logic

INFOID:000000008281566

DTC DETECTION LOGIC

With CONSULT

DTC No. Index ("SELF-DIAG [CURRENT]"), ("SELF-DIAG [PAST]" or "TROUBLE DIAG RECORD")

DTC No.	Trouble diagnosis name	DTC detecting condition	Possible cause
B1087	PRE-TEN FRONT LH [VB-SHORT]	Front LH seat belt pre-tensioner circuit is shorted to some power supply circuit.	<ul style="list-style-type: none">• Disconnection of wiring harness and short.• Internal breakdown in front LH seat belt pre-tensioner.• Internal breakdown in diagnosis sensor unit (ACU).

DTC CONFIRMATION PROCEDURE (With CONSULT)

1.INSPECTION START

Turn ignition switch ON.

>> GO TO 2.

2.CHECK SELF-DIAG RESULT

Check the screen of CONSULT.

Is malfunctioning part detected?

- YES >> Refer to [SRC-232. "Diagnosis Procedure"](#).
NO >> **INSPECTION END.**

DTC CONFIRMATION PROCEDURE (Without CONSULT)

NOTE:

- SRS will not enter diagnosis mode if no malfunction is detected in user mode.

1.INSPECTION START

Turn ignition switch ON.

A

B

C

D

E

F

G

SRC

I

J

K

L

M

N

O

P

< DTC/CIRCUIT DIAGNOSIS >

>> GO TO 2.

2.CHECK AIR BAG WARNING LAMP

Check the warning lamp status.

Is malfunctioning part detected?

YES >> Refer to [SRC-316, "DTC Index"](#).

NO >> **INSPECTION END.**

Diagnosis Procedure

INFOID:000000008281567

With CONSULT

WARNING:

- **Before servicing, turn ignition switch OFF, disconnect both battery terminals and wait at least 3 minutes. (To discharge backup capacitor.)**
- **Do not use unspecified tester or other measuring device.**

DIAGNOSTIC PROCEDURE

1.CHECK HARNESS CONNECTOR

Check the connection of harness connector.

Is the inspection result normal?

YES >> GO TO 2.

NO >> Repair or replace harness connector.

2.CHECK WIRING HARNESS

Check the wiring harness externals.

Is the inspection result normal?

YES >> GO TO 3.

NO >> Repair or replace wiring harness.

3.CHECK FRONT SEAT BELT PRE-TENSIONER

1. Replace front LH seat belt pre-tensioner.

2. Check the screen of CONSULT.

Is the inspection result normal?

YES >> **INSPECTION END.**

NO >> Check the intermittent incident. Refer to [GI-46, "Intermittent Incident"](#).

B1088 PRE-TEN FRONT LH

< DTC/CIRCUIT DIAGNOSIS >

[FOR MEXICO]

B1088 PRE-TEN FRONT LH

Description

INFOID:000000008281568

DTC B1088 [GND-SHORT] PRE-TEN FRONT LH

For front LH seat belt pre-tensioner, crash is judged by main "G" sensor output signal and sub "G" sensor in front direction.

OPERATION

In the case of a frontal collision that exceeds specified impact level, the diagnosis sensor unit detects the deceleration caused by collision. If restrains the passenger with seat belt easing the stress on passengers chest with load limiter.

STRUCTURE

The restraint system for front seat occupant consists of the pre-tensioner mechanism and load limiter mechanism.

INSTALLATION

Front LH seat belt pre-tensioner is installed on the underside of center pillar with fixed nuts.

DTC Logic

INFOID:000000008281569

DTC DETECTION LOGIC

With CONSULT

DTC No. Index ("SELF-DIAG [CURRENT]"), ("SELF-DIAG [PAST]" or "TROUBLE DIAG RECORD")

DTC No.	Trouble diagnosis name	DTC detecting condition	Possible cause
B1088	PRE-TEN FRONT LH [GND-SHORT]	Front LH seat belt pre-tensioner circuit is shorted to ground.	<ul style="list-style-type: none"> Disconnection of wiring harness and short. Internal breakdown in front LH seat belt pre-tensioner. Internal breakdown in diagnosis sensor unit (ACU).

DTC CONFIRMATION PROCEDURE (With CONSULT)

1.INSPECTION START

Turn ignition switch ON.

>> GO TO 2.

2.CHECK SELF-DIAG RESULT

Check the screen of CONSULT.

Is malfunctioning part detected?

- YES >> Refer to [SRC-234. "Diagnosis Procedure"](#).
- NO >> **INSPECTION END.**

DTC CONFIRMATION PROCEDURE (Without CONSULT)

NOTE:

- SRS will not enter diagnosis mode if no malfunction is detected in user mode.

1.INSPECTION START

Turn ignition switch ON.

A
B
C
D
E
F
G
I
J
K
L
M
N
O
P

SRC

< DTC/CIRCUIT DIAGNOSIS >

>> GO TO 2.

2.CHECK AIR BAG WARNING LAMP

Check the warning lamp status.

Is malfunctioning part detected?

YES >> Refer to [SRC-316, "DTC Index"](#).

NO >> **INSPECTION END.**

Diagnosis Procedure

INFOID:000000008281570

With CONSULT

WARNING:

- **Before servicing, turn ignition switch OFF, disconnect both battery terminals and wait at least 3 minutes. (To discharge backup capacitor.)**
- **Do not use unspecified tester or other measuring device.**

DIAGNOSTIC PROCEDURE

1.CHECK HARNESS CONNECTOR

Check the connection of harness connector.

Is the inspection result normal?

YES >> GO TO 2.

NO >> Repair or replace harness connector.

2.CHECK WIRING HARNESS

Check the wiring harness externals.

Is the inspection result normal?

YES >> GO TO 3.

NO >> Replace wiring harness.

3.CHECK FRONT SEAT BELT PRE-TENSIONER

1. Replace front LH seat belt pre-tensioner.

2. Check the screen of CONSULT.

Is the inspection result normal?

YES >> **INSPECTION END.**

NO >> Check the intermittent incident. Refer to [GI-46, "Intermittent Incident"](#).

B1089 PRE-TEN FRONT LH

< DTC/CIRCUIT DIAGNOSIS >

[FOR MEXICO]

B1089 PRE-TEN FRONT LH

Description

INFOID:000000008281571

DTC B1089 [SHORT] PRE-TEN FRONT LH

For front LH seat belt pre-tensioner, crash is judged by main "G" sensor output signal and sub "G" sensor in front direction.

OPERATION

In the case of a frontal collision that exceeds specified impact level, the diagnosis sensor unit detects the deceleration caused by collision. If restrains the passenger with seat belt easing the stress on passengers chest with load limiter.

STRUCTURE

The restraint system for front seat occupant consists of the pre-tensioner mechanism and load limiter mechanism.

INSTALLATION

Front LH seat belt pre-tensioner is installed on the underside of center pillar with fixed nuts.

DTC Logic

INFOID:000000008281572

DTC DETECTION LOGIC

With CONSULT

DTC No. Index ("SELF-DIAG [CURRENT]"), ("SELF-DIAG [PAST]" or "TROUBLE DIAG RECORD")

DTC No.	Trouble diagnosis name	DTC detecting condition	Possible cause
B1089	PRE-TEN FRONT LH [SHORT]	Front LH seat belt pre-tensioner circuit are shorted to each other.	<ul style="list-style-type: none"> Disconnection of wiring harness and short. Internal breakdown in front LH seat belt pre-tensioner. Internal breakdown in diagnosis sensor unit (ACU).

DTC CONFIRMATION PROCEDURE (With CONSULT)

1.INSPECTION START

Turn ignition switch ON.

>> GO TO 2.

2.CHECK SELF-DIAG RESULT

Check the screen of CONSULT.

Is malfunctioning part detected?

- YES >> Refer to [SRC-236. "Diagnosis Procedure"](#).
- NO >> **INSPECTION END.**

DTC CONFIRMATION PROCEDURE (Without CONSULT)

NOTE:

- SRS will not enter diagnosis mode if no malfunction is detected in user mode.

1.INSPECTION START

Turn ignition switch ON.

A
B
C
D
E
F
G
I
J
K
L
M
N
O
P

SRC

< DTC/CIRCUIT DIAGNOSIS >

>> GO TO 2.

2.CHECK AIR BAG WARNING LAMP

Check the warning lamp status.

Is malfunctioning part detected?

YES >> Refer to [SRC-316, "DTC Index"](#).

NO >> **INSPECTION END.**

Diagnosis Procedure

INFOID:000000008281573

With CONSULT

WARNING:

- **Before servicing, turn ignition switch OFF, disconnect both battery terminals and wait at least 3 minutes. (To discharge backup capacitor.)**
- **Do not use unspecified tester or other measuring device.**

DIAGNOSTIC PROCEDURE

1.CHECK HARNESS CONNECTOR

Check the connection of harness connector.

Is the inspection result normal?

YES >> GO TO 2.

NO >> Repair or replace harness connector.

2.CHECK WIRING HARNESS

Check the wiring harness externals.

Is the inspection result normal?

YES >> GO TO 3.

NO >> Replace wiring harness.

3.CHECK FRONT SEAT BELT PRE-TENSIONER

1. Replace front LH seat belt pre-tensioner.

2. Check the screen of CONSULT.

Is the inspection result normal?

YES >> **INSPECTION END.**

NO >> Check the intermittent incident. Refer to [GI-46, "Intermittent Incident"](#).

B1091, B1093 DIAGNOSIS SENSOR UNIT

< DTC/CIRCUIT DIAGNOSIS >

[FOR MEXICO]

B1091, B1093 DIAGNOSIS SENSOR UNIT

Description

INFOID:000000008281574

Checks the entire SRS and displays the malfunction either by illuminating or blinking the air bag warning lamp on the combination meter. Malfunctioning part can be detected by on board self-diagnosis system and CONSULT.

OPERATION

It detects a shock that exceeds a specified level and monitors whether the driver and passenger air bags, front side air bag, side curtain air bag and pre-tensioner seat belts operate normally.

STRUCTURE

It contains the "G" sensors for both frontal and side collisions and spare battery function in case of main battery damage in collision.

INSTALLATION

Air bag diagnosis sensor unit is installed under the center console with fixed bolts.

DTC Logic

INFOID:000000008281575

DTC No.	Trouble diagnosis name	DTC detecting condition	Possible cause
B1091 B1093	CONTROL UNIT	Air bag diagnosis sensor unit is malfunctioning or out of the specification	<ul style="list-style-type: none">Malfunction in air bag diagnosis sensor unitConfiguration in air bag diagnosis sensor unit does not match the vehicle specification

A
B
C
D
E
F
G
SRC

DTC CONFIRMATION PROCEDURE

1. CHECK SELF-DIAG RESULT

With CONSULT

- Turn ignition switch ON.
- Perform "AIR BAG" Self Diagnostic Result.

Without CONSULT

- Turn ignition switch ON.
- Check the air bag warning lamp status. Refer to [SRC-183, "Diagnosis Description"](#).

NOTE:

SRS does not enter diagnosis mode if no malfunction is detected in user mode.

Is malfunctioning part detected?

- YES >> Refer to [SRC-237, "Diagnosis Procedure"](#).
NO >> INSPECTION END

Diagnosis Procedure

INFOID:000000008281576

WARNING:

- Before servicing, turn ignition switch OFF, disconnect battery negative terminal and wait at least 3 minutes. (To discharge backup capacitor.)
- Never use unspecified tester or other measuring device.

1. CHECK HARNESS CONNECTOR

Check the harness connector.

Is the inspection result normal?

- YES >> GO TO 2.
NO >> Replace harness connectors.

2. CHECK WIRING HARNESS

Check the wiring harness externals.

Is the inspection result normal?

- YES >> GO TO 3.

I
J
K
L
M
N
O
P

B1091, B1093 DIAGNOSIS SENSOR UNIT

[FOR MEXICO]

< DTC/CIRCUIT DIAGNOSIS >

NO >> Replace wiring harness.

3. REPLACE AIR BAG DIAGNOSIS SENSOR UNIT

1. Replace air bag diagnosis sensor unit. Refer to [SR-24, "Removal and Installation"](#).
2. Perform DTC confirmation procedure. Refer to [SRC-237, "DTC Logic"](#).

Is DTC detected?

YES >> GO TO 1.

NO >> INSPECTION END

B1106, B1107, B1108, B1109, B1110, B1111 DIAGNOSIS SENSOR UNIT

< DTC/CIRCUIT DIAGNOSIS >

[FOR MEXICO]

B1106, B1107, B1108, B1109, B1110, B1111 DIAGNOSIS SENSOR UNIT

Description

INFOID:000000008281577

DTC B1106, B1107, B1108, B1109, B1110, B1111 DIAGNOSIS SENSOR UNIT

Detects the whole SRS electrical system and displays the malfunction either by illuminating or blinking the air bag warning lamp in the combination meter. Malfunctioning part can be detected by on board self-diagnosis system and electro-diagnosis tester CONSULT.

OPERATION

It detects a shock that exceeds specified level and monitors such systems as the driver and passenger air bag, side air bag, curtain air bag, pre-tensioner seat belts operate properly.

STRUCTURE

It contains the "G" sensors for both frontal and side collisions and spare battery function in case of main battery damage in collision.

INSTALLATION

SRS diagnosis sensor unit is installed under the center console with fixed bolts.

DTC Logic

INFOID:000000008281578

DTC DETECTION LOGIC

With CONSULT

DTC No. Index ("SELF-DIAG [CURRENT]"), ("SELF-DIAG [PAST]" or "TROUBLE DIAG RECORD")

DTC No.	Trouble diagnosis name	DTC detecting condition	Possible cause
B1106 B1107 B1108 B1109 B1110 B1111	CONTROL UNIT	Diagnosis sensor unit is out of order.	Internal breakdown in diagnosis sensor unit (ACU).

DTC CONFIRMATION PROCEDURE (With CONSULT)

1.INSPECTION START

Turn ignition switch ON.

>> GO TO 2.

2.CHECK SELF-DIAG RESULT

Check the screen of CONSULT.

Is malfunctioning part detected?

- YES >> Refer to [SRC-240. "Diagnosis Procedure"](#).
- NO >> **INSPECTION END.**

DTC CONFIRMATION PROCEDURE (Without CONSULT)

NOTE:

- SRS will not enter diagnosis mode if no malfunction is detected in user mode.

1.INSPECTION START

Turn ignition switch ON.

A
B
C
D
E
F
G
I
J
K
L
M
N
O
P

SRC

B1106, B1107, B1108, B1109, B1110, B1111 DIAGNOSIS SENSOR UNIT

< DTC/CIRCUIT DIAGNOSIS >

[FOR MEXICO]

>> GO TO 2.

2.CHECK AIR BAG WARNING LAMP

Check the warning lamp status.

Is malfunctioning part detected?

YES >> Refer to [SRC-316, "DTC Index"](#).

NO >> **INSPECTION END.**

Diagnosis Procedure

INFOID:000000008281579

With CONSULT

WARNING:

- **Before servicing, turn ignition switch OFF, disconnect both battery terminals and wait at least 3 minutes. (To discharge backup capacitor.)**
- **Do not use unspecified tester or other measuring device.**

DIAGNOSTIC PROCEDURE

1.CHECK HARNESS CONNECTOR

Check the connection of harness connector.

Is the inspection result normal?

YES >> GO TO 2.

NO >> Repair or replace harness connectors.

2.CHECK WIRING HARNESS

Check the wiring harness externals.

Is the inspection result normal?

YES >> GO TO 3.

NO >> Replace wiring harness.

3.CHECK DIAGNOSIS SENSOR UNIT

1. Replace diagnosis sensor unit (ACU).

2. Check the screen of CONSULT.

Is the inspection result normal?

YES >> **INSPECTION END.**

NO >> Check the intermittent incident. Refer to [GI-46, "Intermittent Incident"](#).

B1113, B1114 SATELLITE SENS RH

< DTC/CIRCUIT DIAGNOSIS >

[FOR MEXICO]

B1113, B1114 SATELLITE SENS RH

Description

INFOID:000000008281580

DTC B1113, B1114 [UNIT FAIL] SATELLITE SENS RH

Main "G" sensor generates signal voltage, when it detects deceleration beyond the specified level by vehicle side collision.

OPERATION

When ACU define the both signal voltage of the "G" sensor and the Safing sensor to be that of collision which exceeds specified level, the driving circuit switches on and feeds the electric ignitor of both the side air bag and curtain air bag.

STRUCTURE

Integrated type of the G sensor element for side collision with output terminals for signal voltage.

INSTALLATION

RH satellite sensor is installed at the underside of center pillar with fixed nuts.

DTC Logic

INFOID:000000008281581

DTC DETECTION LOGIC

With CONSULT

DTC No. Index ("SELF-DIAG [CURRENT]"), ("SELF-DIAG [PAST]" or "TROUBLE DIAG RECORD")

DTC No.	Trouble diagnosis name	DTC detecting condition	Possible cause
B1113 B1114	SATELLITE SENS RH [UNIT FAIL]	RH satellite sensor is out of order.	<ul style="list-style-type: none">• Disconnection of wiring harness.• Internal breakdown in RH satellite sensor.• Internal breakdown in diagnosis sensor unit (ACU).

DTC CONFIRMATION PROCEDURE (With CONSULT)

1.INSPECTION START

Turn ignition switch ON.

>> GO TO 2.

2.CHECK SELF-DIAG RESULT

Check the screen of CONSULT.

Is malfunctioning part detected?

- YES >> Refer to [SRC-242, "Diagnosis Procedure"](#).
NO >> **INSPECTION END.**

DTC CONFIRMATION PROCEDURE (Without CONSULT)

NOTE:

- SRS will not enter diagnosis mode if no malfunction is detected in user mode.

1.INSPECTION START

Turn ignition switch ON.

>> GO TO 2.

A
B
C
D
E
F
G
I
J
K
L
M
N
O
P

SRC

< DTC/CIRCUIT DIAGNOSIS >

2.CHECK AIR BAG WARNING LAMP

Check the warning lamp status.

Is malfunctioning part detected?

- YES >> Refer to [SRC-316, "DTC Index"](#).
NO >> **INSPECTION END.**

Diagnosis Procedure

INFOID:000000008281582

With CONSULT

WARNING:

- Before servicing, turn ignition switch OFF, disconnect both battery terminals and wait at least 3 minutes. (To discharge backup capacitor.)
- Do not use unspecified tester or other measuring device.

DIAGNOSTIC PROCEDURE

1.CHECK HARNESS CONNECTOR

Check the connection of harness connector.

Is the inspection result normal?

- YES >> GO TO 2.
NO >> Repair or replace harness connector.

2.CHECK WIRING HARNESS

Check the wiring harness externals.

Is the inspection result normal?

- YES >> GO TO 3.
NO >> Repair or replace wiring harness.

3.CHECK SATELLITE SENSOR

1. Replace RH satellite sensor.
2. Check the screen of CONSULT.

Is the inspection result normal?

- YES >> **INSPECTION END.**
NO >> Check the intermittent incident. Refer to [GI-46, "Intermittent Incident"](#).

B1115, B1116 SATELLITE SENS RH

< DTC/CIRCUIT DIAGNOSIS >

[FOR MEXICO]

B1115, B1116 SATELLITE SENS RH

Description

INFOID:000000008281583

DTC B1115, B1116 [COMM FAIL] SATELLITE SENS RH

Main "G" sensor generates signal voltage, when it detects deceleration beyond the specified level by vehicle side collision.

OPERATION

When ACU defines both signal voltage of the "G" sensor and the Safing sensor to be that of collision which exceeds specified level, the driving circuit switches on and feeds the electric ignitor of both the side air bag and curtain air bag.

STRUCTURE

Integrated type of the G sensor element for side collision with output terminals for signal voltage.

INSTALLATION

RH satellite sensor is installed at the underside of center pillar with fixed nuts.

DTC Logic

INFOID:000000008281584

DTC DETECTION LOGIC

With CONSULT

DTC No. Index ("SELF-DIAG [CURRENT]"), ("SELF-DIAG [PAST]" or "TROUBLE DIAG RECORD")

DTC No.	Trouble diagnosis name	DTC detecting condition	Possible cause
B1115 B1116	SATELLITE SENS RH [COMM FAIL] [UNMATCH]	RH satellite sensor is out of order.	<ul style="list-style-type: none">• Disconnection of wiring harness.• Internal breakdown in RH satellite sensor.• Internal breakdown in diagnosis sensor unit (ACU).

DTC CONFIRMATION PROCEDURE (With CONSULT)

1.INSPECTION START

Turn ignition switch ON.

>> GO TO 2.

2.CHECK SELF-DIAG RESULT

Check the screen of CONSULT.

Is malfunctioning part detected?

- YES >> Refer to [SRC-244, "Diagnosis Procedure"](#).
NO >> **INSPECTION END.**

DTC CONFIRMATION PROCEDURE (Without CONSULT)

NOTE:

- SRS will not enter diagnosis mode if no malfunction is detected in user mode.

1.INSPECTION START

Turn ignition switch ON.

>> GO TO 2.

A
B
C
D
E
F
G
I
J
K
L
M
N
O
P

SRC

< DTC/CIRCUIT DIAGNOSIS >

2.CHECK AIR BAG WARNING LAMP

Check the warning lamp status.

Is malfunctioning part detected?

- YES >> Refer to [SRC-316, "DTC Index"](#).
- NO >> **INSPECTION END.**

Diagnosis Procedure

INFOID:000000008281585

With CONSULT

WARNING:

- **Before servicing, turn ignition switch OFF, disconnect both battery terminals and wait at least 3 minutes. (To discharge backup capacitor.)**
- **Do not use unspecified tester or other measuring device.**

DIAGNOSTIC PROCEDURE

1.CHECK HARNESS CONNECTOR

Check the connection of harness connector.

Is the inspection result normal?

- YES >> GO TO 2.
- NO >> Repair or replace harness connector.

2.CHECK WIRING HARNESS

Check the wiring harness externals.

Is the inspection result normal?

- YES >> GO TO 3.
- NO >> Repair or replace wiring harness.

3.CHECK SATELLITE SENSOR

1. Replace RH satellite sensor.
2. Check the screen of CONSULT.

Is the inspection result normal?

- YES >> **INSPECTION END.**
- NO >> Check the intermittent incident. Refer to [GI-46, "Intermittent Incident"](#).

B1118, B1119 SATELLITE SENS LH

Description

INFOID:000000008281586

DTC B1118, B1119 [UNIT FAIL] SATELLITE SENS LH

Main "G" sensor generates signal voltage, when it detects deceleration beyond the specified level by vehicle side collision.

OPERATION

When ACU defines both signal voltage of the "G" sensor and the Safing sensor to be that of collision which exceeds specified level, the driving circuit switches on and feeds the electric ignitor of both the side air bag and curtain air bag.

STRUCTURE

Integrated type of the G sensor element for side collision with output terminals for signal voltage.

INSTALLATION

LH satellite sensor is installed at the underside of center pillar with fixed nuts.

DTC Logic

INFOID:000000008281587

DTC DETECTION LOGIC

With CONSULT

DTC No. Index ("SELF-DIAG [CURRENT]"), ("SELF-DIAG [PAST]" or "TROUBLE DIAG RECORD")

SRC

DTC No.	Trouble diagnosis name	DTC detecting condition	Possible cause
B1118 B1119	SATELLITE SENS LH [UNIT FAIL]	LH satellite sensor is out of order.	<ul style="list-style-type: none"> • Disconnection of wiring harness. • Internal breakdown in LH satellite sensor. • Internal breakdown in diagnosis sensor unit (ACU).

DTC CONFIRMATION PROCEDURE (With CONSULT)

1.INSPECTION START

Turn ignition switch ON.

>> GO TO 2.

2.CHECK SELF-DIAG RESULT

Check the screen of CONSULT.

Is malfunctioning part detected?

- YES >> Refer to [SRC-246, "Diagnosis Procedure"](#).
- NO >> **INSPECTION END.**

DTC CONFIRMATION PROCEDURE (Without CONSULT)

NOTE:

- SRS will not enter diagnosis mode if no malfunction is detected in user mode.

1.INSPECTION START

Turn ignition switch ON.

>> GO TO 2.

< DTC/CIRCUIT DIAGNOSIS >

2.CHECK AIR BAG WARNING LAMP

Check the warning lamp status.

Is malfunctioning part detected?

- YES >> Refer to [SRC-316, "DTC Index"](#).
NO >> **INSPECTION END.**

Diagnosis Procedure

INFOID:000000008281588

With CONSULT

WARNING:

- Before servicing, turn ignition switch OFF, disconnect both battery terminals and wait at least 3 minutes. (To discharge backup capacitor.)
- Do not use unspecified tester or other measuring device.

DIAGNOSTIC PROCEDURE

1.CHECK HARNESS CONNECTOR

Check the connection of harness connector.

Is the inspection result normal?

- YES >> GO TO 2.
NO >> Repair or replace harness connector.

2.CHECK WIRING HARNESS

Check the wiring harness externals.

Is the inspection result normal?

- YES >> GO TO 3.
NO >> Repair or replace wiring harness.

3.CHECK SATELLITE SENSOR

1. Replace LH satellite sensor.
2. Check the screen of CONSULT.

Is the inspection result normal?

- YES >> **INSPECTION END.**
NO >> Check the intermittent incident. Refer to [GI-46, "Intermittent Incident"](#).

B1120, B1121 SATELLITE SENS LH

< DTC/CIRCUIT DIAGNOSIS >

[FOR MEXICO]

B1120, B1121 SATELLITE SENS LH

Description

INFOID:000000008281589

DTC B1120, B1121 [COMM FAIL] SATELLITE SENS LH

Main "G" sensor generates signal voltage, when it detects deceleration beyond the specified level by vehicle side collision.

OPERATION

When ACU defines both signal voltage of the "G" sensor and the Safing sensor to be that of collision which exceeds specified level, the driving circuit switches on and feeds the electric ignitor of both the side air bag and curtain air bag.

STRUCTURE

Integrated type of the G sensor element for side collision with output terminals for signal voltage.

INSTALLATION

LH satellite sensor is installed at the underside of center pillar with fixed nuts.

DTC Logic

INFOID:000000008281590

DTC DETECTION LOGIC

With CONSULT

DTC No. Index ("SELF-DIAG [CURRENT]"), ("SELF-DIAG [PAST]" or "TROUBLE DIAG RECORD")

DTC No.	Trouble diagnosis name	DTC detecting condition	Possible cause
B1120 B1121	SATELLITE SENS LH [COMM FAIL] [UNMATCH]	LH satellite sens is out of order.	<ul style="list-style-type: none">• Disconnection of wiring harness.• Internal breakdown in LH satellite sens.• Internal breakdown in diagnosis sensor unit (ACU).

DTC CONFIRMATION PROCEDURE (With CONSULT)

1.INSPECTION START

Turn ignition switch ON.

>> GO TO 2.

2.CHECK SELF-DIAG RESULT

Check the screen of CONSULT.

Is malfunctioning part detected?

- YES >> Refer to [SRC-248, "Diagnosis Procedure"](#).
NO >> **INSPECTION END.**

DTC CONFIRMATION PROCEDURE (Without CONSULT)

NOTE:

- SRS will not enter diagnosis mode if no malfunction is detected in user mode.

1.INSPECTION START

Turn ignition switch ON.

>> GO TO 2.

2.CHECK AIR BAG WARNING LAMP

Check the warning lamp status.

Is malfunctioning part detected?

- YES >> Refer to [SRC-316, "DTC Index"](#).
NO >> **INSPECTION END.**

Diagnosis Procedure

INFOID:000000008281591

With CONSULT

WARNING:

- Before servicing, turn ignition switch OFF, disconnect both battery terminals and wait at least 3 minutes. (To discharge backup capacitor.)
- Do not use unspecified tester or other measuring device.

DIAGNOSTIC PROCEDURE

1.CHECK HARNESS CONNECTOR

Check the connection of harness connector.

Is the inspection result normal?

- YES >> GO TO 2.
NO >> Repair or replace harness connector.

2.CHECK WIRING HARNESS

Check the wiring harness externals.

Is the inspection result normal?

- YES >> GO TO 3.
NO >> Repair or replace wiring harness.

3.CHECK SATELLITE SENSOR

1. Replace LH satellite sensor.
2. Check the screen of CONSULT.

Is the inspection result normal?

- YES >> **INSPECTION END.**
NO >> Check the intermittent incident. Refer to [GI-46, "Intermittent Incident"](#).

B1122, B1123, B1124, B1125, B1126, B1127 DIAGNOSIS SENSOR UNIT

< DTC/CIRCUIT DIAGNOSIS >

[FOR MEXICO]

B1122, B1123, B1124, B1125, B1126, B1127 DIAGNOSIS SENSOR UNIT

Description

INFOID:000000008281592

DTC B1122, B1123, B1124, B1125, B1126, B1127 DIAGNOSIS SENSOR UNIT

Detects the whole SRS electrical system and displays the malfunction either by illuminating or blinking the air bag warning lamp in the combination meter. Malfunctioning part can be detected by on board self-diagnosis system and electro-diagnosis tester CONSULT.

OPERATION

It detects a shock that exceeds specified level and monitors such systems as the driver and passenger air bag, side air bag, curtain air bag, pre-tensioner seat belts operate properly.

STRUCTURE

It contains the "G" sensors for both frontal and side collisions and spare battery function in case of main battery damage in collision.

INSTALLATION

SRS diagnosis sensor unit is installed under the center console with fixed bolts.

DTC Logic

INFOID:000000008281593

DTC DETECTION LOGIC

With CONSULT

DTC No. Index ("SELF-DIAG [CURRENT]"), ("SELF-DIAG [PAST]" or "TROUBLE DIAG RECORD")

DTC No.	Trouble diagnosis name	DTC detecting condition	Possible cause
B1122 B1123 B1124 B1125 B1126 B1127	CONTROL UNIT	Diagnosis sensor unit is out of order.	Internal breakdown in diagnosis sensor unit (ACU).

DTC CONFIRMATION PROCEDURE (With CONSULT)

1.INSPECTION START

Turn ignition switch ON.

>> GO TO 2.

2.CHECK SELF-DIAG RESULT

Check the screen of CONSULT.

Is malfunctioning part detected?

- YES >> Refer to [SRC-250. "Diagnosis Procedure"](#).
- NO >> **INSPECTION END.**

DTC CONFIRMATION PROCEDURE (Without CONSULT)

NOTE:

- SRS will not enter diagnosis mode if no malfunction is detected in user mode.

1.INSPECTION START

Turn ignition switch ON.

A
B
C
D
E
F
G
I
J
K
L
M
N
O
P

SRC

B1122, B1123, B1124, B1125, B1126, B1127 DIAGNOSIS SENSOR UNIT

< DTC/CIRCUIT DIAGNOSIS >

[FOR MEXICO]

>> GO TO 2.

2.CHECK AIR BAG WARNING LAMP

Check the warning lamp status.

Is malfunctioning part detected?

YES >> Refer to [SRC-316, "DTC Index"](#).

NO >> **INSPECTION END.**

Diagnosis Procedure

INFOID:000000008281594

With CONSULT

WARNING:

- **Before servicing, turn ignition switch OFF, disconnect both battery terminals and wait at least 3 minutes. (To discharge backup capacitor.)**
- **Do not use unspecified tester or other measuring device.**

DIAGNOSTIC PROCEDURE

1.CHECK HARNESS CONNECTOR

Check the connection of harness connector.

Is the inspection result normal?

YES >> GO TO 2.

NO >> Repair or replace harness connectors.

2.CHECK WIRING HARNESS

Check the wiring harness externals.

Is the inspection result normal?

YES >> GO TO 3.

NO >> Repair or replace wiring harness.

3.CHECK DIAGNOSIS SENSOR UNIT

1. Replace diagnosis sensor unit (ACU).

2. Check the screen of CONSULT.

Is the inspection result normal?

YES >> **INSPECTION END.**

NO >> Check the intermittent incident. Refer to [GI-46, "Intermittent Incident"](#).

B1129 SIDE MODULE RH

Description

INFOID:000000008281595

DTC B1129 [OPEN] SIDE MODULE RH

For front RH side air bag module, crash is judged by main “G” sensor output signal (left side: left satellite sensor, right side: right satellite sensor) and sub “G” sensor (right and left GP in center unit).

OPERATION

In the case of a collision whose acceleration exceeds the specified level, the ignition materials are ignited by electric ignition system. The system burns and introduces the chemical reaction of gas generating materials to generate hot gases that flow into the air bag through a filter and expand the bag.

STRUCTURE

Front RH side air bag module mainly consists of air bag and inflator which inflates air bag.

INSTALLATION

Front RH side air bag module is installed on the side of front seat back with fixed nuts.

DTC Logic

INFOID:000000008281596

DTC DETECTION LOGIC

With CONSULT

DTC No. Index (“SELF-DIAG [CURRENT]”), (“SELF-DIAG [PAST]” or “TROUBLE DIAG RECORD”)

SRC

DTC No.	Trouble diagnosis name	DTC detecting condition	Possible cause
B1129	SIDE MODULE RH [OPEN]	Front RH side air bag module circuit is open.	<ul style="list-style-type: none"> • Disconnection of wiring harness and open. • Internal breakdown in front RH side air bag module. • Internal breakdown in diagnosis sensor unit (ACU).

DTC CONFIRMATION PROCEDURE (With CONSULT)

1.INSPECTION START

Turn ignition switch ON.

>> GO TO 2.

2.CHECK SELF-DIAG RESULT

Check the screen of CONSULT.

Is malfunctioning part detected?

YES >> Refer to [SRC-252, "Diagnosis Procedure"](#).

NO >> **INSPECTION END.**

DTC CONFIRMATION PROCEDURE (Without CONSULT)

NOTE:

- SRS will not enter diagnosis mode if no malfunction is detected in user mode.

1.INSPECTION START

Turn ignition switch ON.

>> GO TO 2.

< DTC/CIRCUIT DIAGNOSIS >

2.CHECK AIR BAG WARNING LAMP

Check the warning lamp status.

Is malfunctioning part detected?

- YES >> Refer to [SRC-316, "DTC Index"](#).
 NO >> **INSPECTION END.**

Diagnosis Procedure

INFOID:000000008281597

With CONSULT

WARNING:

- Before servicing, turn ignition switch OFF, disconnect both battery terminals and wait at least 3 minutes. (To discharge backup capacitor.)
- Do not use unspecified tester or other measuring device.

DIAGNOSTIC PROCEDURE

1.CHECK HARNESS CONNECTOR

Check the connection of harness connector.

Is the inspection result normal?

- YES >> GO TO 2.
 NO >> Repair or replace harness connector.

2.CHECK WIRING HARNESS

Check the wiring harness externals.

Is the inspection result normal?

- YES >> GO TO 3.
 NO >> Repair or replace wiring harness.

3.CHECK FRONT SIDE AIR BAG MODULE

1. Replace front RH side air bag module.
2. Check the screen of CONSULT.

Is the inspection result normal?

- YES >> **INSPECTION END.**
 NO >> Check the intermittent incident. Refer to [GI-46, "Intermittent Incident"](#).

B1130 SIDE MODULE RH

Description

INFOID:0000000008281598

DTC B1130 [VB-SHORT] SIDE MODULE RH

For front RH side air bag module, crash is judged by main “G” sensor output signal (left side: left satellite sensor, right side: right satellite sensor) and sub “G” sensor (right and left GP in center unit).

OPERATION

In the case of a collision whose acceleration exceeds the specified level, the ignition materials are ignited by electric ignition system. The system burns and introduces the chemical reaction of gas generating materials to generate hot gases that flow into the air bag through a filter and expand the bag.

STRUCTURE

Front RH side air bag module mainly consists of air bag and inflator which inflates air bag.

INSTALLATION

Front RH side air bag module is installed on the side of front seatback with fixed nuts.

DTC Logic

INFOID:0000000008281599

DTC DETECTION LOGIC

With CONSULT

DTC No. Index (“SELF-DIAG [CURRENT]”), (“SELF-DIAG [PAST]” or “TROUBLE DIAG RECORD”)

SRC

DTC No.	Trouble diagnosis name	DTC detecting condition	Possible cause
B1130	SIDE MODULE RH [VB-SHORT]	Front RH side air bag module circuit is shorted to some power supply circuit.	<ul style="list-style-type: none"> • Disconnection of wiring harness and short. • Internal breakdown in front RH side air bag module. • Internal breakdown in diagnosis sensor unit (ACU).

DTC CONFIRMATION PROCEDURE (With CONSULT)

1.INSPECTION START

Turn ignition switch ON.

>> GO TO 2.

2.CHECK SELF-DIAG RESULT

Check the screen of CONSULT.

Is malfunctioning part detected?

YES >> Refer to [SRC-254, "Diagnosis Procedure"](#).

NO >> **INSPECTION END.**

DTC CONFIRMATION PROCEDURE (Without CONSULT)

NOTE:

- SRS will not enter diagnosis mode if no malfunction is detected in user mode.

1.INSPECTION START

Turn ignition switch ON.

>> GO TO 2.

< DTC/CIRCUIT DIAGNOSIS >

2.CHECK AIR BAG WARNING LAMP

Check the warning lamp status.

Is malfunctioning part detected?

- YES >> Refer to [SRC-316, "DTC Index"](#).
 NO >> **INSPECTION END.**

Diagnosis Procedure

INFOID:000000008281600

With CONSULT

WARNING:

- Before servicing, turn ignition switch OFF, disconnect both battery terminals and wait at least 3 minutes. (To discharge backup capacitor.)
- Do not use unspecified tester or other measuring device.

DIAGNOSTIC PROCEDURE

1.CHECK HARNESS CONNECTOR

Check the connection of harness connector.

Is the inspection result normal?

- YES >> GO TO 2.
 NO >> Repair or replace harness connector.

2.CHECK WIRING HARNESS

Check the wiring harness externals.

Is the inspection result normal?

- YES >> GO TO 3.
 NO >> Repair or replace wiring harness.

3.CHECK FRONT SIDE AIR BAG MODULE

1. Replace front RH side air bag module.
2. Check the screen of CONSULT.

Is the inspection result normal?

- YES >> **INSPECTION END.**
 NO >> Check the intermittent incident. Refer to [GI-46, "Intermittent Incident"](#).

B1131 SIDE MODULE RH

Description

INFOID:000000008281601

DTC B1131 [GND-SHORT] SIDE MODULE RH

For front RH side air bag module, crash is judged by main “G” sensor output signal (left side: left satellite sensor, right side: right satellite sensor) and sub “G” sensor (right and left GP in center unit).

OPERATION

In the case of a collision whose acceleration exceeds the specified level, the ignition materials are ignited by electric ignition system. The system burns and introduces the chemical reaction of gas generating materials to generate hot gases that flow into the air bag through a filter and expand the bag.

STRUCTURE

Front RH side air bag module mainly consists of air bag and inflator which inflates air bag.

INSTALLATION

Front RH side air bag module is installed on the side of front seatback with fixed nuts.

DTC Logic

INFOID:000000008281602

DTC DETECTION LOGIC

With CONSULT

DTC No. Index (“SELF-DIAG [CURRENT]”), (“SELF-DIAG [PAST]” or “TROUBLE DIAG RECORD”)



DTC No.	Trouble diagnosis name	DTC detecting condition	Possible cause
B1131	SIDE MODULE RH [GND-SHORT]	Front RH side air bag module circuit is shorted to ground.	<ul style="list-style-type: none"> • Disconnection of wiring harness and short. • Internal breakdown in front RH side air bag module. • Internal breakdown in diagnosis sensor unit (ACU).

DTC CONFIRMATION PROCEDURE (With CONSULT)

1.INSPECTION START

Turn ignition switch ON.

>> GO TO 2.

2.CHECK SELF-DIAG RESULT

Check the screen of CONSULT.

Is malfunctioning part detected?

YES >> Refer to [SRC-256, "Diagnosis Procedure"](#).

NO >> **INSPECTION END.**

DTC CONFIRMATION PROCEDURE (Without CONSULT)

NOTE:

- SRS will not enter diagnosis mode if no malfunction is detected in user mode.

1.INSPECTION START

Turn ignition switch ON.

>> GO TO 2.

< DTC/CIRCUIT DIAGNOSIS >

2.CHECK AIR BAG WARNING LAMP

Check the warning lamp status.

Is malfunctioning part detected?

- YES >> Refer to [SRC-316, "DTC Index"](#).
 NO >> **INSPECTION END.**

Diagnosis Procedure

INFOID:000000008281603

With CONSULT

WARNING:

- Before servicing, turn ignition switch OFF, disconnect both battery terminals and wait at least 3 minutes. (To discharge backup capacitor.)
- Do not use unspecified tester or other measuring device.

DIAGNOSTIC PROCEDURE

1.CHECK HARNESS CONNECTOR

Check the connection of harness connector.

Is the inspection result normal?

- YES >> GO TO 2.
 NO >> Repair or replace harness connector.

2.CHECK WIRING HARNESS

Check the wiring harness externals.

Is the inspection result normal?

- YES >> GO TO 3.
 NO >> Repair or replace wiring harness.

3.CHECK FRONT SIDE AIR BAG MODULE

1. Replace front RH side air bag module.
2. Check the screen of CONSULT.

Is the inspection result normal?

- YES >> **INSPECTION END.**
 NO >> Check the intermittent incident. Refer to [GI-46, "Intermittent Incident"](#).

B1132 SIDE MODULE RH

Description

INFOID:000000008281604

DTC B1132 [SHORT] SIDE MODULE RH

For front RH side air bag module, crash is judged by main “G” sensor output signal (left side: left satellite sensor, right side: right satellite sensor) and sub “G” sensor (right and left GP in center unit).

OPERATION

In the case of a collision whose acceleration exceeds the specified level, the ignition materials are ignited by electric ignition system. The system burns and introduces the chemical reaction of gas generating materials to generate hot gases that flow into the air bag through a filter and expand the bag.

STRUCTURE

Front RH side air bag module mainly consists of air bag and inflator which inflates air bag.

INSTALLATION

Front RH side air bag module is installed on the side of front seatback with fixed nuts.

DTC Logic

INFOID:000000008281605

DTC DETECTION LOGIC

With CONSULT

DTC No. Index (“SELF-DIAG [CURRENT]”), (“SELF-DIAG [PAST]” or “TROUBLE DIAG RECORD”)

SRC

DTC No.	Trouble diagnosis name	DTC detecting condition	Possible cause
B1132	SIDE MODULE RH [SHORT]	Front RH side air bag module circuit are shorted to each other.	<ul style="list-style-type: none"> • Disconnection of wiring harness and short. • Internal breakdown in front RH side air bag module. • Internal breakdown in diagnosis sensor unit (ACU).

DTC CONFIRMATION PROCEDURE (With CONSULT)

1.INSPECTION START

Turn ignition switch ON.

>> GO TO 2.

2.CHECK SELF-DIAG RESULT

Check the screen of CONSULT.

Is malfunctioning part detected?

YES >> Refer to [SRC-258, "Diagnosis Procedure"](#).

NO >> **INSPECTION END.**

DTC CONFIRMATION PROCEDURE (Without CONSULT)

NOTE:

- SRS will not enter diagnosis mode if no malfunction is detected in user mode.

1.INSPECTION START

Turn ignition switch ON.

>> GO TO 2.

< DTC/CIRCUIT DIAGNOSIS >

2.CHECK AIR BAG WARNING LAMP

Check the warning lamp status.

Is malfunctioning part detected?

- YES >> Refer to [SRC-316, "DTC Index"](#).
NO >> **INSPECTION END.**

Diagnosis Procedure

INFOID:000000008281606

With CONSULT

WARNING:

- Before servicing, turn ignition switch OFF, disconnect both battery terminals and wait at least 3 minutes. (To discharge backup capacitor.)
- Do not use unspecified tester or other measuring device.

DIAGNOSTIC PROCEDURE

1.CHECK HARNESS CONNECTOR

Check the connection of harness connector.

Is the inspection result normal?

- YES >> GO TO 2.
NO >> Repair or replace harness connector.

2.CHECK WIRING HARNESS

Check the wiring harness externals.

Is the inspection result normal?

- YES >> GO TO 3.
NO >> Repair or replace wiring harness.

3.CHECK FRONT SIDE AIR BAG MODULE

1. Replace front RH side air bag module.
2. Check the screen of CONSULT.

Is the inspection result normal?

- YES >> **INSPECTION END.**
NO >> Check the intermittent incident. Refer to [GI-46, "Intermittent Incident"](#).

B1134 SIDE MODULE LH

Description

INFOID:000000008281607

DTC B1134 [OPEN] SIDE MODULE LH

For front LH side air bag module, crash is judged by main "G" sensor output signal (left side: left satellite sensor, right side: right satellite sensor) and sub "G" sensor (right and left GP in center unit).

OPERATION

In the case of a collision whose acceleration exceeds the specified level, the ignition materials are ignited by electric ignition system. The system burns and introduces the chemical reaction of gas generating materials to generate hot gases that flow into the air bag through a filter and expand the bag.

STRUCTURE

Front LH side air bag module mainly consists of air bag and inflator which inflates air bag.

INSTALLATION

Front LH side air bag module is installed on the side of front seatback with fixed nuts.

DTC Logic

INFOID:000000008281608

DTC DETECTION LOGIC

With CONSULT

DTC No. Index ("SELF-DIAG [CURRENT]"), ("SELF-DIAG [PAST]" or "TROUBLE DIAG RECORD")

SRC

DTC No.	Trouble diagnosis name	DTC detecting condition	Possible cause
B1134	SIDE MODULE LH [OPEN]	Front LH side air bag module circuit is open.	<ul style="list-style-type: none"> • Disconnection of wiring harness and open. • Internal breakdown in front LH side air bag module. • Internal breakdown in diagnosis sensor unit (ACU).

DTC CONFIRMATION PROCEDURE (With CONSULT)

1.INSPECTION START

Turn ignition switch ON.

>> GO TO 2.

2.CHECK SELF-DIAG RESULT

Check the screen of CONSULT.

Is malfunctioning part detected?

YES >> Refer to [SRC-260, "Diagnosis Procedure"](#).

NO >> **INSPECTION END.**

DTC CONFIRMATION PROCEDURE (Without CONSULT)

NOTE:

- SRS will not enter diagnosis mode if no malfunction is detected in user mode.

1.INSPECTION START

Turn ignition switch ON.

>> GO TO 2.

< DTC/CIRCUIT DIAGNOSIS >

2.CHECK AIR BAG WARNING LAMP

Check the warning lamp status.

Is malfunctioning part detected?YES >> Refer to [SRC-316, "DTC Index"](#).NO >> **INSPECTION END.**

Diagnosis Procedure

INFOID:000000008281609

With CONSULT

WARNING:

- Before servicing, turn ignition switch OFF, disconnect both battery terminals and wait at least 3 minutes. (To discharge backup capacitor.)
- Do not use unspecified tester or other measuring device.

DIAGNOSTIC PROCEDURE

1.CHECK HARNESS CONNECTOR

Check the connection of harness connector.

Is the inspection result normal?

YES >> GO TO 2.

NO >> Repair or replace harness connector.

2.CHECK WIRING HARNESS

Check the wiring harness externals.

Is the inspection result normal?

YES >> GO TO 3.

NO >> Replace wiring harness.

3.CHECK FRONT SIDE AIR BAG MODULE

1. Replace front LH side air bag module.

2. Check the screen of CONSULT.

Is the inspection result normal?YES >> **INSPECTION END.**NO >> Check the intermittent incident. Refer to [GI-46, "Intermittent Incident"](#).

B1135 SIDE MODULE LH

< DTC/CIRCUIT DIAGNOSIS >

[FOR MEXICO]

B1135 SIDE MODULE LH

Description

INFOID:000000008281610

DTC B1135 [VB-SHORT] SIDE MODULE LH

For front LH side air bag module, crash is judged by main "G" sensor output signal (left side: left satellite sensor, right side: right satellite sensor) and sub "G" sensor (right and left GP in center unit).

OPERATION

In the case of a collision whose acceleration exceeds the specified level, the ignition materials are ignited by electric ignition system. The system burns and introduces the chemical reaction of gas generating materials to generate hot gases that flow into the air bag through a filter and expand the bag.

STRUCTURE

Front LH side air bag module mainly consists of air bag and inflator which inflates air bag.

INSTALLATION

Front LH side air bag module is installed on the side of front seatback with fixed nuts.

DTC Logic

INFOID:000000008281611

DTC DETECTION LOGIC

With CONSULT

DTC No. Index ("SELF-DIAG [CURRENT]"), ("SELF-DIAG [PAST]" or "TROUBLE DIAG RECORD")

DTC No.	Trouble diagnosis name	DTC detecting condition	Possible cause
B1135	SIDE MODULE LH [VB-SHORT]	Front LH side air bag module circuit is shorted to some power supply circuit.	<ul style="list-style-type: none">• Disconnection of wiring harness and short.• Internal breakdown in front LH side air bag module.• Internal breakdown in diagnosis sensor unit (ACU).

DTC CONFIRMATION PROCEDURE (With CONSULT)

1.INSPECTION START

Turn ignition switch ON.

>> GO TO 2.

2.CHECK SELF-DIAG RESULT

Check the screen of CONSULT.

Is malfunctioning part detected?

YES >> Refer to [SRC-262, "Diagnosis Procedure"](#).

NO >> **INSPECTION END.**

DTC CONFIRMATION PROCEDURE (Without CONSULT)

NOTE:

- SRS will not enter diagnosis mode if no malfunction is detected in user mode.

1.INSPECTION START

Turn ignition switch ON.

>> GO TO 2.

< DTC/CIRCUIT DIAGNOSIS >

2.CHECK AIR BAG WARNING LAMP

Check the warning lamp status.

Is malfunctioning part detected?YES >> Refer to [SRC-316, "DTC Index"](#).NO >> **INSPECTION END.**

Diagnosis Procedure

INFOID:000000008281612

With CONSULT

WARNING:

- Before servicing, turn ignition switch OFF, disconnect both battery terminals and wait at least 3 minutes. (To discharge backup capacitor.)
- Do not use unspecified tester or other measuring device.

DIAGNOSTIC PROCEDURE

1.CHECK HARNESS CONNECTOR

Check the connection of harness connector.

Is the inspection result normal?

YES >> GO TO 2.

NO >> Repair or replace harness connector.

2.CHECK WIRING HARNESS

Check the wiring harness externals.

Is the inspection result normal?

YES >> GO TO 3.

NO >> Repair or replace wiring harness.

3.CHECK FRONT SIDE AIR BAG MODULE

1. Replace front LH side air bag module.

2. Check the screen of CONSULT.

Is the inspection result normal?YES >> **INSPECTION END.**NO >> Check the intermittent incident. Refer to [GI-46, "Intermittent Incident"](#).

B1136 SIDE MODULE LH

Description

INFOID:000000008281613

DTC B1136 [GND-SHORT] SIDE MODULE LH

For front LH side air bag module, crash is judged by main “G” sensor output signal (left side: left satellite sensor, right side: right satellite sensor) and sub “G” sensor (right and left GP in center unit).

OPERATION

In the case of a collision whose acceleration exceeds the specified level, the ignition materials are ignited by electric ignition system. The system burns and introduces the chemical reaction of gas generating materials to generate hot gases that flow into the air bag through a filter and expand the bag.

STRUCTURE

Front LH side air bag module mainly consists of air bag and inflator which inflates air bag.

INSTALLATION

Front LH side air bag module is installed on the side of front seatback with fixed nuts.

DTC Logic

INFOID:000000008281614

DTC DETECTION LOGIC

With CONSULT

DTC No. Index (“SELF-DIAG [CURRENT]”), (“SELF-DIAG [PAST]” or “TROUBLE DIAG RECORD”)

SRC

DTC No.	Trouble diagnosis name	DTC detecting condition	Possible cause
B1136	SIDE MODULE LH [GND-SHORT]	Front LH side air bag module circuit is shorted to ground.	<ul style="list-style-type: none"> • Disconnection of wiring harness and short. • Internal breakdown in front LH side air bag module. • Internal breakdown in diagnosis sensor unit (ACU).

DTC CONFIRMATION PROCEDURE (With CONSULT)

1.INSPECTION START

Turn ignition switch ON.

>> GO TO 2.

2.CHECK SELF-DIAG RESULT

Check the screen of CONSULT.

Is malfunctioning part detected?

YES >> Refer to [SRC-264, "Diagnosis Procedure"](#).

NO >> **INSPECTION END.**

DTC CONFIRMATION PROCEDURE (Without CONSULT)

NOTE:

- SRS will not enter diagnosis mode if no malfunction is detected in user mode.

1.INSPECTION START

Turn ignition switch ON.

>> GO TO 2.

< DTC/CIRCUIT DIAGNOSIS >

2.CHECK AIR BAG WARNING LAMP

Check the warning lamp status.

Is malfunctioning part detected?YES >> Refer to [SRC-316, "DTC Index"](#).NO >> **INSPECTION END.**

Diagnosis Procedure

INFOID:000000008281615

With CONSULT

WARNING:

- Before servicing, turn ignition switch OFF, disconnect both battery terminals and wait at least 3 minutes. (To discharge backup capacitor.)
- Do not use unspecified tester or other measuring device.

DIAGNOSTIC PROCEDURE

1.CHECK HARNESS CONNECTOR

Check the connection of harness connector.

Is the inspection result normal?

YES >> GO TO 2.

NO >> Repair or replace harness connector.

2.CHECK WIRING HARNESS

Check the wiring harness externals.

Is the inspection result normal?

YES >> GO TO 3.

NO >> Repair or replace wiring harness.

3.CHECK FRONT SIDE AIR BAG MODULE

1. Replace front LH side air bag module.

2. Check the screen of CONSULT.

Is the inspection result normal?YES >> **INSPECTION END.**NO >> Check the intermittent incident. Refer to [GI-46, "Intermittent Incident"](#).

B1137 SIDE MODULE LH

Description

INFOID:000000008281616

DTC B1137 [SHORT] SIDE MODULE LH

For front LH side air bag module, crash is judged by main "G" sensor output signal (left side: left satellite sensor, right side: right satellite sensor) and sub "G" sensor (right and left GP in center unit).

OPERATION

In the case of a collision whose acceleration exceeds the specified level, the ignition materials are ignited by electric ignition system. The system burns and introduces the chemical reaction of gas generating materials to generate hot gases that flow into the air bag through a filter and expand the bag.

STRUCTURE

Front LH side air bag module mainly consists of air bag and inflator which inflates air bag.

INSTALLATION

Front LH side air bag module is installed on the side of front seatback with fixed nuts.

DTC Logic

INFOID:000000008281617

DTC DETECTION LOGIC

With CONSULT

DTC No. Index ("SELF-DIAG [CURRENT]"), ("SELF-DIAG [PAST]" or "TROUBLE DIAG RECORD")

SRC

DTC No.	Trouble diagnosis name	DTC detecting condition	Possible cause
B1137	SIDE MODULE LH [SHORT]	Front LH side air bag module circuit are shorted to each other.	<ul style="list-style-type: none"> • Disconnection of wiring harness and short. • Internal breakdown in front LH side air bag module. • Internal breakdown in diagnosis sensor unit (ACU).

DTC CONFIRMATION PROCEDURE (With CONSULT)

1.INSPECTION START

Turn ignition switch ON.

>> GO TO 2.

2.CHECK SELF-DIAG RESULT

Check the screen of CONSULT.

Is malfunctioning part detected?

YES >> Refer to [SRC-266, "Diagnosis Procedure"](#).

NO >> **INSPECTION END.**

DTC CONFIRMATION PROCEDURE (Without CONSULT)

NOTE:

- SRS will not enter diagnosis mode if no malfunction is detected in user mode.

1.INSPECTION START

Turn ignition switch ON.

>> GO TO 2.

< DTC/CIRCUIT DIAGNOSIS >

2.CHECK AIR BAG WARNING LAMP

Check the warning lamp status.

Is malfunctioning part detected?YES >> Refer to [SRC-316, "DTC Index"](#).NO >> **INSPECTION END.**

Diagnosis Procedure

INFOID:000000008281618

With CONSULT

WARNING:

- Before servicing, turn ignition switch OFF, disconnect both battery terminal and wait at least 3 minutes. (To discharge backup capacitor.)
- Do not use un specified tester or other measuring device.

DIAGNOSTIC PROCEDURE

1.CHECK HARNESS CONNECTOR

Check the connection of harness connector.

Is the inspection result normal?

YES >> GO TO 2.

NO >> Repair or replace harness connector.

2.CHECK WIRING HARNESS

Check the wiring harness externals.

Is the inspection result normal?

YES >> GO TO 3.

NO >> Repair or replace wiring harness.

3.CHECK FRONT SIDE AIR BAG MODULE

1. Replace front LH side air bag module.

2. Check the screen of CONSULT.

Is the inspection result normal?YES >> **INSPECTION END.**NO >> Check the intermittent incident. Refer to [GI-46, "Intermittent Incident"](#).

B1138, B1139, B1140, B1141, B1142, B1143 DIAGNOSIS SENSOR UNIT

< DTC/CIRCUIT DIAGNOSIS >

[FOR MEXICO]

B1138, B1139, B1140, B1141, B1142, B1143 DIAGNOSIS SENSOR UNIT

Description

INFOID:000000008281619

DTC B1138, B1139, B1140, B1141, B1142, B1143 DIAGNOSIS SENSOR UNIT

Detects the whole SRS electrical system and displays the malfunction either by illuminating or blinking the air bag warning lamp in the combination meter. Malfunctioning part can be detected by on board self-diagnosis system and electro-diagnosis tester CONSULT.

OPERATION

It detects a shock that exceeds specified level and monitors such systems as the driver and passenger air bag, side air bag, curtain air bag, pre-tensioner seat belts operate properly.

STRUCTURE

It contains the "G" sensors for both frontal and side collisions and spare battery function in case of main battery damage in collision.

INSTALLATION

SRS diagnosis sensor unit is installed under the center console with fixed bolts.

DTC Logic

INFOID:000000008281620

DTC DETECTION LOGIC

With CONSULT

DTC No. Index ("SELF-DIAG [CURRENT]"), ("SELF-DIAG [PAST]" or "TROUBLE DIAG RECORD")

DTC No.	Trouble diagnosis name	DTC detecting condition	Possible cause
B1138 B1139 B1140 B1141 B1142 B1143	CONTROL UNIT	Diagnosis sensor unit is out of order.	Internal breakdown in diagnosis sensor unit (ACU).

DTC CONFIRMATION PROCEDURE (With CONSULT)

1.INSPECTION START

Turn ignition switch ON.

>> GO TO 2.

2.CHECK SELF-DIAG RESULT

Check the screen of CONSULT.

Is malfunctioning part detected?

- YES >> Refer to [SRC-268. "Diagnosis Procedure"](#).
- NO >> **INSPECTION END.**

DTC CONFIRMATION PROCEDURE (Without CONSULT)

NOTE:

- SRS will not enter diagnosis mode if no malfunction is detected in user mode.

1.INSPECTION START

Turn ignition switch ON.

A
B
C
D
E
F
G
I
J
K
L
M
N
O
P

SRC

B1138, B1139, B1140, B1141, B1142, B1143 DIAGNOSIS SENSOR UNIT

< DTC/CIRCUIT DIAGNOSIS >

[FOR MEXICO]

>> GO TO 2.

2.CHECK AIR BAG WARNING LAMP

Check the warning lamp status.

Is malfunctioning part detected?

YES >> Refer to [SRC-316, "DTC Index"](#).

NO >> **INSPECTION END.**

Diagnosis Procedure

INFOID:000000008281621

With CONSULT

WARNING:

- **Before servicing, turn ignition switch OFF, disconnect both battery terminals and wait at least 3 minutes. (To discharge backup capacitor.)**
- **Do not use unspecified tester or other measuring device.**

DIAGNOSTIC PROCEDURE

1.CHECK HARNESS CONNECTOR

Check the connection of harness connector.

Is the inspection result normal?

YES >> GO TO 2.

NO >> Repair or replace harness connectors.

2.CHECK WIRING HARNESS

Check the wiring harness externals.

Is the inspection result normal?

YES >> GO TO 3.

NO >> Replace wiring harness.

3.CHECK DIAGNOSIS SENSOR UNIT

1. Replace diagnosis sensor unit (ACU).

2. Check the screen of CONSULT.

Is the inspection result normal?

YES >> **INSPECTION END.**

NO >> Check the intermittent incident. Refer to [GI-46, "Intermittent Incident"](#).

B1145 CURTAIN MODULE RH

< DTC/CIRCUIT DIAGNOSIS >

[FOR MEXICO]

B1145 CURTAIN MODULE RH

Description

INFOID:000000008281622

DTC B1145 [OPEN] CURTAIN MODULE RH

For RH side curtain air bag module, crash is judged by main "G" sensor output signal (left side: left satellite sensor, right side: right satellite sensor) and sub "G" sensor (right and left GP in center unit).

OPERATION

In case of collision whose acceleration exceeds the specified level, the ignition materials are ignited by electric ignition system. The system burns and introduces the chemical reaction of gas generating materials to generate hot gases that flow into the air bag through a filter and expand the bag.

STRUCTURE

RH side curtain air bag module mainly consists of air bag and inflator which inflates air bag.

INSTALLATION

RH side curtain air bag module is installed on the roof side with fixed bolts.

DTC Logic

INFOID:000000008281623

DTC DETECTION LOGIC

With CONSULT

DTC No. Index ("SELF-DIAG [CURRENT]"), ("SELF-DIAG [PAST]" or "TROUBLE DIAG RECORD")

SRC

DTC No.	Trouble diagnosis name	DTC detecting condition	Possible cause
B1145	CURTAIN MODULE RH [OPEN]	RH side curtain air bag module circuit is open.	<ul style="list-style-type: none"> • Disconnection of wiring harness and open. • Internal breakdown in RH side curtain air bag module. • Replace diagnosis sensor unit (ACU).

DTC CONFIRMATION PROCEDURE (With CONSULT)

1.INSPECTION START

Turn ignition switch ON.

>> GO TO 2.

2.CHECK SELF-DIAG RESULT

Check the screen of CONSULT.

Is malfunctioning part detected?

YES >> Refer to [SRC-270, "Diagnosis Procedure"](#).

NO >> **INSPECTION END.**

DTC CONFIRMATION PROCEDURE (Without CONSULT)

NOTE:

- SRS will not enter diagnosis mode if no malfunction is detected in user mode.

1.INSPECTION START

Turn ignition switch ON.

>> GO TO 2.

< DTC/CIRCUIT DIAGNOSIS >

2.CHECK AIR BAG WARNING LAMP

Check the warning lamp status.

Is malfunctioning part detected?

- YES >> Refer to [SRC-316, "DTC Index"](#).
NO >> **INSPECTION END.**

Diagnosis Procedure

INFOID:000000008281624

With CONSULT

WARNING:

- Before servicing, turn ignition switch OFF, disconnect both battery terminals and wait at least 3 minutes. (To discharge backup capacitor.)
- Do not use unspecified tester or other measuring device.

DIAGNOSTIC PROCEDURE

1.CHECK HARNESS CONNECTOR

Check the connection of harness connector.

Is the inspection result normal?

- YES >> GO TO 2.
NO >> Repair or replace harness connector.

2.CHECK WIRING HARNESS

Check the wiring harness externals.

Is the inspection result normal?

- YES >> GO TO 3.
NO >> Repair or replace wiring harness.

3.CHECK SIDE CURTAIN AIR BAG MODULE

1. Replace RH side curtain air bag module.
2. Check the screen of CONSULT.

Is the inspection result normal?

- YES >> **INSPECTION END.**
NO >> Check the intermittent incident. Refer to [GI-46, "Intermittent Incident"](#).

B1146 CURTAIN MODULE RH

< DTC/CIRCUIT DIAGNOSIS >

[FOR MEXICO]

B1146 CURTAIN MODULE RH

Description

INFOID:000000008281625

DTC B1146 [VB-SHORT] CURTAIN MODULE RH

For RH side curtain air bag module, crash is judged by main "G" sensor output signal (left side: left satellite sensor, right side: right satellite sensor) and sub "G" sensor (right and left GP in center unit).

OPERATION

In case of collision whose acceleration exceeds the specified level, the ignition materials are ignited by electric ignition system. The system burns and introduces the chemical reaction of gas generating materials to generate hot gases that flow into the air bag through a filter and expand the bag.

STRUCTURE

RH side curtain air bag module mainly consists of air bag and inflator which inflates air bag.

INSTALLATION

RH side curtain air bag module is installed on the roof side with fixed bolts.

DTC Logic

INFOID:000000008281626

DTC DETECTION LOGIC

With CONSULT

DTC No. Index ("SELF-DIAG [CURRENT]"), ("SELF-DIAG [PAST]" or "TROUBLE DIAG RECORD")

DTC No.	Trouble diagnosis name	DTC detecting condition	Possible cause
B1146	CURTAIN MODULE RH [VB-SHORT]	RH side curtain air bag module circuit is shorted to some power supply circuit.	<ul style="list-style-type: none">• Disconnection of wiring harness and short.• Internal breakdown in RH side curtain air bag module.• Internal breakdown in diagnosis sensor unit (ACU).

DTC CONFIRMATION PROCEDURE (With CONSULT)

1.INSPECTION START

Turn ignition switch ON.

>> GO TO 2.

2.CHECK SELF-DIAG RESULT

Check the screen of CONSULT.

Is malfunctioning part detected?

YES >> Refer to [SRC-272, "Diagnosis Procedure"](#).

NO >> **INSPECTION END.**

DTC CONFIRMATION PROCEDURE (Without CONSULT)

NOTE:

- SRS will not enter diagnosis mode if no malfunction is detected in user mode.

1.INSPECTION START

Turn ignition switch ON.

>> GO TO 2.

< DTC/CIRCUIT DIAGNOSIS >

2.CHECK AIR BAG WARNING LAMP

Check the warning lamp status.

Is malfunctioning part detected?

- YES >> Refer to [SRC-316, "DTC Index"](#).
- NO >> **INSPECTION END.**

Diagnosis Procedure

INFOID:000000008281627

With CONSULT

WARNING:

- Before servicing, turn ignition switch OFF, disconnect both battery terminals and wait at least 3 minutes. (To discharge backup capacitor.)
- Do not use unspecified tester or other measuring device.

DIAGNOSTIC PROCEDURE

1.CHECK HARNESS CONNECTOR

Check the connection of harness connector.

Is the inspection result normal?

- YES >> GO TO 2.
- NO >> Repair or replace harness connector.

2.CHECK WIRING HARNESS

Check the wiring harness externals.

Is the inspection result normal?

- YES >> GO TO 3.
- NO >> Repair or replace wiring harness.

3.CHECK SIDE CURTAIN AIR BAG MODULE

1. Replace RH side curtain air bag module.
2. Check the screen of CONSULT.

Is the inspection result normal?

- YES >> **INSPECTION END.**
- NO >> Check the intermittent incident. Refer to [GI-46, "Intermittent Incident"](#).

B1147 CURTAIN MODULE RH

< DTC/CIRCUIT DIAGNOSIS >

[FOR MEXICO]

B1147 CURTAIN MODULE RH

Description

INFOID:000000008281628

DTC B1147 [GND-SHORT] CURTAIN MODULE RH

For RH side curtain air bag module, crash is judged by main "G" sensor output signal (left side: left satellite sensor, right side: right satellite sensor) and sub "G" sensor (right and left GP in center unit).

OPERATION

In case of collision whose acceleration exceeds the specified level, the ignition materials are ignited by electric ignition system. The system burns and introduces the chemical reaction of gas generating materials to generate hot gases that flow into the air bag through a filter and expand the bag.

STRUCTURE

RH side curtain air bag module mainly consists of air bag and inflator which inflates air bag.

INSTALLATION

RH side curtain air bag module is installed on the roof side with fixed bolts.

DTC Logic

INFOID:000000008281629

DTC DETECTION LOGIC

With CONSULT

DTC No. Index ("SELF-DIAG [CURRENT]"), ("SELF-DIAG [PAST]" or "TROUBLE DIAG RECORD")

SRC

DTC No.	Trouble diagnosis name	DTC detecting condition	Possible cause
B1147	CURTAIN MODULE RH [GND-SHORT]	RH side curtain air bag module circuit is shorted to ground.	<ul style="list-style-type: none"> • Disconnection of wiring harness and short. • Internal breakdown in RH side curtain air bag module. • Replace diagnosis sensor unit (ACU).

DTC CONFIRMATION PROCEDURE (With CONSULT)

1.INSPECTION START

Turn ignition switch ON.

>> GO TO 2.

2.CHECK SELF-DIAG RESULT

Check the screen of CONSULT.

Is malfunctioning part detected?

YES >> Refer to [SRC-274, "Diagnosis Procedure"](#).

NO >> **INSPECTION END.**

DTC CONFIRMATION PROCEDURE (Without CONSULT)

NOTE:

- SRS will not enter diagnosis mode if no malfunction is detected in user mode.

1.INSPECTION START

Turn ignition switch ON.

>> GO TO 2.

< DTC/CIRCUIT DIAGNOSIS >

2.CHECK AIR BAG WARNING LAMP

Check the warning lamp status.

Is malfunctioning part detected?

- YES >> Refer to [SRC-316, "DTC Index"](#).
NO >> **INSPECTION END.**

Diagnosis Procedure

INFOID:000000008281630

With CONSULT

WARNING:

- Before servicing, turn ignition switch OFF, disconnect both battery terminals and wait at least 3 minutes. (To discharge backup capacitor.)
- Do not use unspecified tester or other measuring device.

DIAGNOSTIC PROCEDURE**1.CHECK HARNESS CONNECTOR**

Check the connection of harness connector.

Is the inspection result normal?

- YES >> GO TO 2.
NO >> Repair or replace harness connector.

2.CHECK WIRING HARNESS

Check the wiring harness externals.

Is the inspection result normal?

- YES >> GO TO 3.
NO >> Repair or replace wiring harness.

3.CHECK SIDE CURTAIN AIR BAG MODULE

1. Replace RH side curtain air bag module.
2. Check the screen of CONSULT.

Is the inspection result normal?

- YES >> **INSPECTION END.**
NO >> Check the intermittent incident. Refer to [GI-46, "Intermittent Incident"](#).

B1148 CURTAIN MODULE RH

Description

INFOID:000000008281631

DTC B1148 [SHORT] CURTAIN MODULE RH

For RH side curtain air bag module, crash is judged by main “G” sensor output signal (left side: left satellite sensor, right side: right satellite sensor) and sub “G” sensor (right and left GP in center unit).

OPERATION

In case of collision whose acceleration exceeds the specified level, the ignition materials are ignited by electric ignition system. The system burns and introduces the chemical reaction of gas generating materials to generate hot gases that flow into the air bag through a filter and expand the bag.

STRUCTURE

RH side curtain air bag module mainly consists of air bag and inflator which inflates air bag.

INSTALLATION

RH side curtain air bag module is installed on the roof side with fixed bolts.

DTC Logic

INFOID:000000008281632

DTC DETECTION LOGIC

With CONSULT

DTC No. Index (“SELF-DIAG [CURRENT]”), (“SELF-DIAG [PAST]” or “TROUBLE DIAG RECORD”)

DTC No.	Trouble diagnosis name	DTC detecting condition	Possible cause
B1148	CURTAIN MODULE RH [SHORT]	RH side curtain air bag module circuit are shorted to each other.	<ul style="list-style-type: none"> • Disconnection of wiring harness and short. • Internal breakdown in RH side curtain air bag module. • Internal breakdown in diagnosis sensor unit (ACU).

DTC CONFIRMATION PROCEDURE (With CONSULT)

1.INSPECTION START

Turn ignition switch ON.

>> GO TO 2.

2.CHECK SELF-DIAG RESULT

Check the screen of CONSULT.

Is malfunctioning part detected?

YES >> Refer to [SRC-276, "Diagnosis Procedure"](#).

NO >> **INSPECTION END.**

DTC CONFIRMATION PROCEDURE (Without CONSULT)

NOTE:

- SRS will not enter diagnosis mode if no malfunction is detected in user mode.

1.INSPECTION START

Turn ignition switch ON.

>> GO TO 2.

< DTC/CIRCUIT DIAGNOSIS >

2.CHECK AIR BAG WARNING LAMP

Check the warning lamp status.

Is malfunctioning part detected?

- YES >> Refer to [SRC-316, "DTC Index"](#).
- NO >> **INSPECTION END.**

Diagnosis Procedure

INFOID:000000008281633

With CONSULT

WARNING:

- Before servicing, turn ignition switch OFF, disconnect both battery terminals and wait at least 3 minutes. (To discharge backup capacitor.)
- Do not use unspecified tester or other measuring device.

DIAGNOSTIC PROCEDURE

1.CHECK HARNESS CONNECTOR

Check the connection of harness connector.

Is the inspection result normal?

- YES >> GO TO 2.
- NO >> Repair or replace harness connector.

2.CHECK WIRING HARNESS

Check the wiring harness externals.

Is the inspection result normal?

- YES >> GO TO 3.
- NO >> Repair or replace wiring harness.

3.CHECK SIDE CURTAIN AIR BAG MODULE

1. Replace RH side curtain air bag module.
2. Check the screen of CONSULT.

Is the inspection result normal?

- YES >> **INSPECTION END.**
- NO >> Check the intermittent incident. Refer to [GI-46, "Intermittent Incident"](#).

B1150 CURTAIN MODULE LH

< DTC/CIRCUIT DIAGNOSIS >

[FOR MEXICO]

B1150 CURTAIN MODULE LH

Description

INFOID:000000008281634

DTC B1150 [OPEN] CURTAIN MODULE LH

For LH side curtain air bag module, crash is judged by main "G" sensor output signal (left side: left satellite sensor, right side: right satellite sensor) and sub "G" sensor (right and left GP in center unit).

OPERATION

In case of collision whose acceleration exceeds the specified level, the ignition materials are ignited by electric ignition system. The system burns and introduces the chemical reaction of gas generating materials to generate hot gases that flow into the air bag through a filter and expand the bag.

STRUCTURE

LH side curtain air bag module mainly consists of air bag and inflator which inflates air bag.

INSTALLATION

LH side curtain air bag module is installed on the roof side with fixed bolts.

DTC Logic

INFOID:000000008281635

DTC DETECTION LOGIC

With CONSULT

DTC No. Index ("SELF-DIAG [CURRENT]"), ("SELF-DIAG [PAST]" or "TROUBLE DIAG RECORD")

DTC No.	Trouble diagnosis name	DTC detecting condition	Possible cause
B1150	CURTAIN MODULE LH [OPEN]	LH side curtain air bag module circuit is open.	<ul style="list-style-type: none">• Disconnection of wiring harness and open.• Internal breakdown in LH side curtain air bag module.• Internal breakdown in diagnosis sensor unit (ACU).

DTC CONFIRMATION PROCEDURE (With CONSULT)

1.INSPECTION START

Turn ignition switch ON.

>> GO TO 2.

2.CHECK SELF-DIAG RESULT

Check the screen of CONSULT.

Is malfunctioning part detected?

YES >> Refer to [SRC-278, "Diagnosis Procedure"](#).

NO >> **INSPECTION END.**

DTC CONFIRMATION PROCEDURE (Without CONSULT)

NOTE:

- SRS will not enter diagnosis mode if no malfunction is detected in user mode.

1.INSPECTION START

Turn ignition switch ON.

>> GO TO 2.

< DTC/CIRCUIT DIAGNOSIS >

2.CHECK AIR BAG WARNING LAMP

Check the warning lamp status.

Is malfunctioning part detected?

YES >> Refer to [SRC-316, "DTC Index"](#).

NO >> **INSPECTION END.**

Diagnosis Procedure

INFOID:000000008281636

With CONSULT

WARNING:

- Before servicing, turn ignition switch OFF, disconnect both battery terminals and wait at least 3 minutes. (To discharge backup capacitor.)
- Do not use unspecified tester or other measuring device.

DIAGNOSTIC PROCEDURE

1.CHECK HARNESS CONNECTOR

Check the connection of harness connector.

Is the inspection result normal?

YES >> GO TO 2.

NO >> Repair or replace harness connector.

2.CHECK WIRING HARNESS

Check the wiring harness externals.

Is the inspection result normal?

YES >> GO TO 3.

NO >> Repair or replace wiring harness.

3.CHECK SIDE CURTAIN AIR BAG MODULE

1. Replace LH side curtain air bag module.

2. Check the screen of CONSULT.

Is the inspection result normal?

YES >> **INSPECTION END.**

NO >> Check the intermittent incident. Refer to [GI-46, "Intermittent Incident"](#).

B1151 CURTAIN MODULE LH

< DTC/CIRCUIT DIAGNOSIS >

[FOR MEXICO]

B1151 CURTAIN MODULE LH

Description

INFOID:000000008281637

DTC B1151 [VB-SHORT] CURTAIN MODULE LH

For LH side curtain air bag module, crash is judged by main "G" sensor output signal (left side: left satellite sensor, right side: right satellite sensor) and sub "G" sensor (right and left GP in center unit).

OPERATION

In case of collision whose acceleration exceeds the specified level, the ignition materials are ignited by electric ignition system. The system burns and introduces the chemical reaction of gas generating materials to generate hot gases that flow into the air bag through a filter and expand the bag.

STRUCTURE

LH side curtain air bag module mainly consists of air bag and inflator which inflates air bag.

INSTALLATION

LH side curtain air bag module is installed on the roof side with fixed bolts.

DTC Logic

INFOID:000000008281638

DTC DETECTION LOGIC

With CONSULT

DTC No. Index ("SELF-DIAG [CURRENT]"), ("SELF-DIAG [PAST]" or "TROUBLE DIAG RECORD")

SRC

DTC No.	Trouble diagnosis name	DTC detecting condition	Possible cause
B1151	CURTAIN MODULE LH [VB-SHORT]	LH side curtain air bag module circuit is shorted to some power supply circuit.	<ul style="list-style-type: none"> • Disconnection of wiring harness and short. • Internal breakdown in LH side curtain air bag module. • Internal breakdown in diagnosis sensor unit (ACU).

DTC CONFIRMATION PROCEDURE (With CONSULT)

1.INSPECTION START

Turn ignition switch ON.

>> GO TO 2.

2.CHECK SELF-DIAG RESULT

Check the screen of CONSULT.

Is malfunctioning part detected?

YES >> Refer to [SRC-280, "Diagnosis Procedure"](#).

NO >> **INSPECTION END.**

DTC CONFIRMATION PROCEDURE (Without CONSULT)

NOTE:

- SRS will not enter diagnosis mode if no malfunction is detected in user mode.

1.INSPECTION START

Turn ignition switch ON.

>> GO TO 2.

< DTC/CIRCUIT DIAGNOSIS >

2.CHECK AIR BAG WARNING LAMP

Check the warning lamp status.

Is malfunctioning part detected?

YES >> Refer to [SRC-316, "DTC Index"](#).

NO >> **INSPECTION END.**

Diagnosis Procedure

INFOID:000000008281639

With CONSULT

WARNING:

- Before servicing, turn ignition switch OFF, disconnect both battery terminals and wait at least 3 minutes. (To discharge backup capacitor.)
- Do not use unspecified tester or other measuring device.

DIAGNOSTIC PROCEDURE

1.CHECK HARNESS CONNECTOR

Check the connection of harness connector.

Is the inspection result normal?

YES >> GO TO 2.

NO >> Repair or replace harness connector.

2.CHECK WIRING HARNESS

Check the wiring harness externals.

Is the inspection result normal?

YES >> GO TO 3.

NO >> Repair or replace wiring harness.

3.CHECK SIDE CURTAIN AIR BAG MODULE

1. Replace LH side curtain air bag module.

2. Check the screen of CONSULT.

Is the inspection result normal?

YES >> **INSPECTION END.**

NO >> Check the intermittent incident. Refer to [GI-46, "Intermittent Incident"](#).

B1152 CURTAIN MODULE LH

< DTC/CIRCUIT DIAGNOSIS >

[FOR MEXICO]

B1152 CURTAIN MODULE LH

Description

INFOID:000000008281640

DTC B1152 [GND-SHORT] CURTAIN MODULE LH

For LH side curtain air bag module, crash is judged by main "G" sensor output signal (left side: left satellite sensor, right side: right satellite sensor) and sub "G" sensor (right and left GP in center unit).

OPERATION

In case of collision whose acceleration exceeds the specified level, the ignition materials are ignited by electric ignition system. The system burns and introduces the chemical reaction of gas generating materials to generate hot gases that flow into the air bag through a filter and expand the bag.

STRUCTURE

LH side curtain air bag module mainly consists of air bag and inflator which inflates air bag.

INSTALLATION

LH side curtain air bag module is installed on the roof side with fixed bolts.

DTC Logic

INFOID:000000008281641

DTC DETECTION LOGIC

With CONSULT

DTC No. Index ("SELF-DIAG [CURRENT]"), ("SELF-DIAG [PAST]" or "TROUBLE DIAG RECORD")

DTC No.	Trouble diagnosis name	DTC detecting condition	Possible cause
B1152	CURTAIN MODULE LH [GND-SHORT]	LH side curtain air bag module circuit is shorted to ground.	<ul style="list-style-type: none">• Disconnection of wiring harness and short.• Internal breakdown in LH side curtain airbag module.• Internal breakdown in diagnosis sensor unit (ACU).

DTC CONFIRMATION PROCEDURE (With CONSULT)

1.INSPECTION START

Turn ignition switch ON.

>> GO TO 2.

2.CHECK SELF-DIAG RESULT

Check the screen of CONSULT.

Is malfunctioning part detected?

YES >> Refer to [SRC-282, "Diagnosis Procedure"](#).

NO >> **INSPECTION END.**

DTC CONFIRMATION PROCEDURE (Without CONSULT)

NOTE:

- SRS will not enter diagnosis mode if no malfunction is detected in user mode.

1.INSPECTION START

Turn ignition switch ON.

>> GO TO 2.

A
B
C
D
E
F
G
I
J
K
L
M
N
O
P

SRC

< DTC/CIRCUIT DIAGNOSIS >

2.CHECK AIR BAG WARNING LAMP

Check the warning lamp status.

Is malfunctioning part detected?

YES >> Refer to [SRC-316, "DTC Index"](#).

NO >> **INSPECTION END.**

Diagnosis Procedure

INFOID:000000008281642

With CONSULT

WARNING:

- Before servicing, turn ignition switch OFF, disconnect both battery terminals and wait at least 3 minutes. (To discharge backup capacitor.)
- Do not use unspecified tester or other measuring device.

DIAGNOSTIC PROCEDURE

1.CHECK HARNESS CONNECTOR

Check the connection of harness connector.

Is the inspection result normal?

YES >> GO TO 2.

NO >> Repair or replace harness connector.

2.CHECK WIRING HARNESS

Check the wiring harness externals.

Is the inspection result normal?

YES >> GO TO 3.

NO >> Repair or replace wiring harness.

3.CHECK SIDE CURTAIN AIR BAG MODULE

1. Replace LH side curtain air bag module.

2. Check the screen of CONSULT.

Is the inspection result normal?

YES >> **INSPECTION END.**

NO >> Check the intermittent incident. Refer to [GI-46, "Intermittent Incident"](#).

B1153 CURTAIN MODULE LH

< DTC/CIRCUIT DIAGNOSIS >

[FOR MEXICO]

B1153 CURTAIN MODULE LH

Description

INFOID:000000008281643

DTC B1153 [SHORT] CURTAIN MODULE LH

For LH side curtain air bag module, crash is judged by main "G" sensor output signal (left side: left satellite sensor, right side: right satellite sensor) and sub "G" sensor (right and left GP in center unit).

OPERATION

In case of collision whose acceleration exceeds the specified level, the ignition materials are ignited by electric ignition system. The system burns and introduces the chemical reaction of gas generating materials to generate hot gases that flow into the air bag through a filter and expand the bag.

STRUCTURE

LH side curtain air bag module mainly consists of air bag and inflator which inflates air bag.

INSTALLATION

LH side curtain air bag module is installed on the roof side with fixed bolts.

DTC Logic

INFOID:000000008281644

DTC DETECTION LOGIC

With CONSULT

DTC No. Index ("SELF-DIAG [CURRENT]"), ("SELF-DIAG [PAST]" or "TROUBLE DIAG RECORD")

DTC No.	Trouble diagnosis name	DTC detecting condition	Possible cause
B1153	CURTAIN MODULE LH [SHORT]	LH side curtain air bag module circuit are shorted to each other.	<ul style="list-style-type: none">• Disconnection of wiring harness and short.• Internal breakdown in LH side curtain air bag module.• Internal breakdown in diagnosis sensor unit (ACU).

DTC CONFIRMATION PROCEDURE (With CONSULT)

1.INSPECTION START

Turn ignition switch ON.

>> GO TO 2.

2.CHECK SELF-DIAG RESULT

Check the screen of CONSULT.

Is malfunctioning part detected?

YES >> Refer to [SRC-284, "Diagnosis Procedure"](#).

NO >> **INSPECTION END.**

DTC CONFIRMATION PROCEDURE (Without CONSULT)

NOTE:

- SRS will not enter diagnosis mode if no malfunction is detected in user mode.

1.INSPECTION START

Turn ignition switch ON.

>> GO TO 2.

< DTC/CIRCUIT DIAGNOSIS >

2.CHECK AIR BAG WARNING LAMP

Check the warning lamp status.

Is malfunctioning part detected?

YES >> Refer to [SRC-316, "DTC Index"](#).

NO >> **INSPECTION END.**

Diagnosis Procedure

INFOID:000000008281645

With CONSULT

WARNING:

- Before servicing, turn ignition switch OFF, disconnect both battery terminals and wait at least 3 minutes. (To discharge backup capacitor.)
- Do not use unspecified tester or other measuring device.

DIAGNOSTIC PROCEDURE

1.CHECK HARNESS CONNECTOR

Check the connection of harness connector.

Is the inspection result normal?

YES >> GO TO 2.

NO >> Repair or replace harness connector.

2.CHECK WIRING HARNESS

Check the wiring harness externals.

Is the inspection result normal?

YES >> GO TO 3.

NO >> Repair or replace wiring harness.

3.CHECK SIDE CURTAIN AIR BAG MODULE

1. Replace LH side curtain air bag module.

2. Check the screen of CONSULT.

Is the inspection result normal?

YES >> **INSPECTION END.**

NO >> Check the intermittent incident. Refer to [GI-46, "Intermittent Incident"](#).

B1154, B1155, B1156, B1157 DIAGNOSIS SENSOR UNIT

< DTC/CIRCUIT DIAGNOSIS >

[FOR MEXICO]

B1154, B1155, B1156, B1157 DIAGNOSIS SENSOR UNIT

Description

INFOID:000000008281646

Checks the entire SRS and displays the malfunction either by illuminating or blinking the air bag warning lamp on the combination meter. Malfunctioning part can be detected by on board self-diagnosis system and CONSULT.

OPERATION

It detects a shock that exceeds a specified level and monitors whether the driver and passenger air bags, front side air bag, side curtain air bag and pre-tensioner seat belts operate normally.

STRUCTURE

It contains the "G" sensors for both frontal and side collisions and spare battery function in case of main battery damage in collision.

INSTALLATION

Air bag diagnosis sensor unit is installed under the center console with fixed bolts.

DTC Logic

INFOID:000000008281647

DTC No.	Trouble diagnosis name	DTC detecting condition	Possible cause
B1155 B1157	CONTROL UNIT	Air bag diagnosis sensor unit is malfunctioning or out of the specification	<ul style="list-style-type: none">Malfunction in air bag diagnosis sensor unitConfiguration in air bag diagnosis sensor unit does not match the vehicle specification

A
B
C
D
E
F
G
SRC

DTC CONFIRMATION PROCEDURE

1. CHECK SELF-DIAG RESULT

With CONSULT

- Turn ignition switch ON.
- Perform "AIR BAG" Self Diagnostic Result.

Without CONSULT

- Turn ignition switch ON.
- Check the air bag warning lamp status. Refer to [SRC-183, "Diagnosis Description"](#).

NOTE:

SRS does not enter diagnosis mode if no malfunction is detected in user mode.

Is malfunctioning part detected?

- YES >> Refer to [SRC-285, "Diagnosis Procedure"](#).
NO >> INSPECTION END

Diagnosis Procedure

INFOID:000000008281648

WARNING:

- Before servicing, turn ignition switch OFF, disconnect battery negative terminal and wait at least 3 minutes. (To discharge backup capacitor.)
- Never use unspecified tester or other measuring device.

1. CHECK HARNESS CONNECTOR

Check the harness connector.

Is the inspection result normal?

- YES >> GO TO 2.
NO >> Replace harness connectors.

2. CHECK WIRING HARNESS

Check the wiring harness externals.

Is the inspection result normal?

- YES >> GO TO 3.

I
J
K
L
M
N
O
P

B1154, B1155, B1156, B1157 DIAGNOSIS SENSOR UNIT

< DTC/CIRCUIT DIAGNOSIS >

[FOR MEXICO]

NO >> Replace wiring harness.

3. REPLACE AIR BAG DIAGNOSIS SENSOR UNIT

1. Replace air bag diagnosis sensor unit. Refer to [SR-24, "Removal and Installation"](#).
2. Perform DTC confirmation procedure. Refer to [SRC-285, "DTC Logic"](#).

Is DTC detected?

YES >> GO TO 1.

NO >> INSPECTION END

B1170, B1171, B1172, B1173, B1174, B1175 DIAGNOSIS SENSOR UNIT

< DTC/CIRCUIT DIAGNOSIS >

[FOR MEXICO]

B1170, B1171, B1172, B1173, B1174, B1175 DIAGNOSIS SENSOR UNIT

Description

INFOID:000000008281649

DTC B1170, B1171, B1172, B1173, B1174, B1175 DIAGNOSIS SENSOR UNIT

Detects the whole SRS electrical system and displays the malfunction either by illuminating or blinking the air bag warning lamp in the combination meter. Malfunctioning part can be detected by on board self-diagnosis system and electro-diagnosis tester CONSULT.

OPERATION

It detects a shock that exceeds specified level and monitors such systems as the driver and passenger air bag, side air bag, curtain air bag, pre-tensioner seat belts operate properly.

STRUCTURE

It contains the "G" sensors for both frontal and side collisions and spare battery function in case of main battery damage in collision.

INSTALLATION

SRS diagnosis sensor unit is installed under the center console with fixed bolts.

DTC Logic

INFOID:000000008281650

DTC DETECTION LOGIC

With CONSULT

DTC No. Index ("SELF-DIAG [CURRENT]"), ("SELF-DIAG [PAST]" or "TROUBLE DIAG RECORD")

DTC No.	Trouble diagnosis name	DTC detecting condition	Possible cause
B1170 B1171 B1172 B1173 B1174 B1175	CONTROL UNIT	Diagnosis sensor unit is out of order.	Internal breakdown in diagnosis sensor unit (ACU).

DTC CONFIRMATION PROCEDURE (With CONSULT)

1.INSPECTION START

Turn ignition switch ON.

>> GO TO 2.

2.CHECK SELF-DIAG RESULT

Check the screen of CONSULT.

Is malfunctioning part detected?

YES >> Refer to [SRC-288. "Diagnosis Procedure"](#).

NO >> **INSPECTION END.**

DTC CONFIRMATION PROCEDURE (Without CONSULT)

NOTE:

SRS will not enter diagnosis mode if no malfunction is detected in user mode.

1.INSPECTION START

Turn ignition switch ON.

A
B
C
D
E
F
G
I
J
K
L
M
N
O
P

SRC

B1170, B1171, B1172, B1173, B1174, B1175 DIAGNOSIS SENSOR UNIT

< DTC/CIRCUIT DIAGNOSIS >

[FOR MEXICO]

>> GO TO 2.

2.CHECK AIR BAG WARNING LAMP

Check the warning lamp status.

Is malfunctioning part detected?

YES >> Refer to [SRC-316, "DTC Index"](#).

NO >> **INSPECTION END.**

Diagnosis Procedure

INFOID:000000008281651

With CONSULT

WARNING:

- **Before servicing, turn ignition switch OFF, disconnect both battery terminals and wait at least 3 minutes. (To discharge backup capacitor.)**
- **Do not use unspecified tester or other measuring device.**

DIAGNOSTIC PROCEDURE

1.CHECK HARNESS CONNECTOR

Check the connection of harness connector.

Is the inspection result normal?

YES >> GO TO 2.

NO >> Repair or replace harness connectors.

2.CHECK WIRING HARNESS

Check the wiring harness externals.

Is the inspection result normal?

YES >> GO TO 3.

NO >> Repair or replace wiring harness.

3.CHECK DIAGNOSIS SENSOR UNIT

1. Replace diagnosis sensor unit (ACU).

2. Check the screen of CONSULT.

Is the inspection result normal?

YES >> **INSPECTION END.**

NO >> Check the intermittent incident. Refer to [GI-46, "Intermittent Incident"](#).

B1177 PRE-TEN2 FRONT RH

< DTC/CIRCUIT DIAGNOSIS >

[FOR MEXICO]

B1177 PRE-TEN2 FRONT RH

Description

INFOID:000000008281652

DTC B1177 [OPEN] PRE-TEN2 FRONT RH

For front RH seat belt pre-tensioner 2, crash is judged by main "G" sensor output signal and sub "G" sensor in front direction.

OPERATION

In the case of a frontal collision that exceeds specified impact level, the diagnosis sensor unit detects the deceleration caused by collision. If restrains the passenger with seat belt easing the stress on passengers chest with load limiter.

STRUCTURE

The restraint system for front seat occupant consists of the pre-tensioner mechanism and load limiter mechanism.

INSTALLATION

Front RH seat belt pre-tensioner 2 is installed on the underside of center pillar with fixed nuts.

DTC Logic

INFOID:000000008281653

DTC DETECTION LOGIC

With CONSULT

DTC No. Index ("SELF-DIAG [CURRENT]"), ("SELF-DIAG [PAST]" or "TROUBLE DIAG RECORD")

DTC No.	Trouble diagnosis name	DTC detecting condition	Possible cause
B1177	PRE-TEN2 FRONT RH [OPEN]	Front RH seat belt pre-tensioner 2 circuit is open.	<ul style="list-style-type: none"> Disconnection of wiring harness and open. Internal breakdown in front RH seat belt pre-tensioner 2. Internal breakdown in diagnosis sensor unit (ACU).

DTC CONFIRMATION PROCEDURE (With CONSULT)

1.INSPECTION START

Turn ignition switch ON.

>> GO TO 2.

2.CHECK SELF-DIAG RESULT

Check the screen of CONSULT.

Is malfunctioning part detected?

- YES >> Refer to [SRC-290. "Diagnosis Procedure"](#).
- NO >> **INSPECTION END.**

DTC CONFIRMATION PROCEDURE (Without CONSULT)

NOTE:

- SRS will not enter diagnosis mode if no malfunction is detected in user mode.

1.INSPECTION START

Turn ignition switch ON.

A
B
C
D
E
F
G
I
J
K
L
M
N
O
P

SRC

< DTC/CIRCUIT DIAGNOSIS >

>> GO TO 2.

2.CHECK AIR BAG WARNING LAMP

Check the warning lamp status.

Is malfunctioning part detected?

YES >> Refer to [SRC-316, "DTC Index"](#).

NO >> **INSPECTION END.**

Diagnosis Procedure

INFOID:000000008281654

With CONSULT

WARNING:

- **Before servicing, turn ignition switch OFF, disconnect both battery terminals and wait at least 3 minutes. (To discharge backup capacitor.)**
- **Do not use unspecified tester or other measuring device.**

DIAGNOSTIC PROCEDURE

1.CHECK HARNESS CONNECTOR

Check the connection of harness connector.

Is the inspection result normal?

YES >> GO TO 2.

NO >> Repair or replace harness connector.

2.CHECK WIRING HARNESS

Check the wiring harness externals.

Is the inspection result normal?

YES >> GO TO 3.

NO >> Repair or replace wiring harness.

3.CHECK FRONT SEAT BELT PRE-TENSIONER 2

1. Replace front RH seat belt pre-tensioner 2.

2. Check the screen of CONSULT.

Is the inspection result normal?

YES >> **INSPECTION END.**

NO >> Check the intermittent incident. Refer to [GI-46, "Intermittent Incident"](#).

B1178 PRE-TEN2 FRONT RH

< DTC/CIRCUIT DIAGNOSIS >

[FOR MEXICO]

B1178 PRE-TEN2 FRONT RH

Description

INFOID:000000008281655

DTC B1178 [VB-SHORT] PRE-TEN2 FRONT RH

For front RH seat belt pre-tensioner 2, crash is judged by main "G" sensor output signal and sub "G" sensor in front direction.

OPERATION

In the case of a frontal collision that exceeds specified impact level, the diagnosis sensor unit detects the deceleration caused by collision. If restrains the passenger with seat belt easing the stress on passengers chest with load limiter.

STRUCTURE

The restraint system for front seat occupant consists of the pre-tensioner mechanism and load limiter mechanism.

INSTALLATION

Front RH seat belt pre-tensioner 2 is installed on the underside of center pillar with fixed nuts.

DTC Logic

INFOID:000000008281656

DTC DETECTION LOGIC

With CONSULT

DTC No. Index ("SELF-DIAG [CURRENT]"), ("SELF-DIAG [PAST]" or "TROUBLE DIAG RECORD")

DTC No.	Trouble diagnosis name	DTC detecting condition	Possible cause
B1178	PRE-TEN2 FRONT RH [VB-SHORT]	Front RH seat belt pre-tensioner 2 circuit is shorted to some power supply circuit.	<ul style="list-style-type: none"> Disconnection of wiring harness and short. Internal breakdown in front RH seat belt pre-tensioner 2. Internal breakdown in diagnosis sensor unit (ACU).

DTC CONFIRMATION PROCEDURE (With CONSULT)

1.INSPECTION START

Turn ignition switch ON.

>> GO TO 2.

2.CHECK SELF-DIAG RESULT

Check the screen of CONSULT.

Is malfunctioning part detected?

- YES >> Refer to [SRC-292. "Diagnosis Procedure"](#).
- NO >> **INSPECTION END.**

DTC CONFIRMATION PROCEDURE (Without CONSULT)

NOTE:

- SRS will not enter diagnosis mode if no malfunction is detected in user mode.

1.INSPECTION START

Turn ignition switch ON.

A
B
C
D
E
F
G
I
J
K
L
M
N
O
P

SRC

< DTC/CIRCUIT DIAGNOSIS >

>> GO TO 2.

2.CHECK AIR BAG WARNING LAMP

Check the warning lamp status.

Is malfunctioning part detected?YES >> Refer to [SRC-316, "DTC Index"](#).NO >> **INSPECTION END.**

Diagnosis Procedure

INFOID:000000008281657

With CONSULT

WARNING:

- Before servicing, turn ignition switch OFF, disconnect both battery terminals and wait at least 3 minutes. (To discharge backup capacitor.)
- Do not use unspecified tester or other measuring device.

DIAGNOSTIC PROCEDURE

1.CHECK HARNESS CONNECTOR

Check the connection of harness connector.

Is the inspection result normal?

YES >> GO TO 2.

NO >> Repair or replace harness connector.

2.CHECK WIRING HARNESS

Check the wiring harness externals.

Is the inspection result normal?

YES >> GO TO 3.

NO >> Repair or replace wiring harness.

3.CHECK FRONT SEAT BELT PRE-TENSIONER 2

1. Replace front RH seat belt pre-tensioner 2.

2. Check the screen of CONSULT.

Is the inspection result normal?YES >> **INSPECTION END.**NO >> Check the intermittent incident. Refer to [GI-46, "Intermittent Incident"](#).

B1179 PRE-TEN2 FRONT RH

< DTC/CIRCUIT DIAGNOSIS >

[FOR MEXICO]

B1179 PRE-TEN2 FRONT RH

Description

INFOID:000000008281658

DTC B1179 [GND-SHORT] PRE-TEN2 FRONT RH

For front RH seat belt pre-tensioner 2, crash is judged by main "G" sensor output signal and sub "G" sensor in front direction.

OPERATION

In the case of a frontal collision that exceeds specified impact level, the diagnosis sensor unit detects the deceleration caused by collision. If restrains the passenger with seat belt easing the stress on passengers chest with load limiter.

STRUCTURE

The restraint system for front seat occupant consists of the pre-tensioner mechanism and load limiter mechanism.

INSTALLATION

Front RH seat belt pre-tensioner 2 is installed on the underside of center pillar with fixed nuts.

DTC Logic

INFOID:000000008281659

DTC DETECTION LOGIC

With CONSULT

DTC No. Index ("SELF-DIAG [CURRENT]"), ("SELF-DIAG [PAST]" or "TROUBLE DIAG RECORD")

DTC No.	Trouble diagnosis name	DTC detecting condition	Possible cause
B1179	PRE-TEN2 FRONT RH [GND-SHORT]	Front RH seat belt pre-tensioner 2 circuit is shorted to ground.	<ul style="list-style-type: none">• Disconnection of wiring harness and short.• Internal breakdown in front RH seat belt pre-tensioner 2.• Internal breakdown in diagnosis sensor unit (ACU).

DTC CONFIRMATION PROCEDURE (With CONSULT)

1.INSPECTION START

Turn ignition switch ON.

>> GO TO 2.

2.CHECK SELF-DIAG RESULT

Check the screen of CONSULT.

Is malfunctioning part detected?

- YES >> Refer to [SRC-294, "Diagnosis Procedure"](#).
NO >> **INSPECTION END.**

DTC CONFIRMATION PROCEDURE (Without CONSULT)

NOTE:

- SRS will not enter diagnosis mode if no malfunction is detected in user mode.

1.INSPECTION START

Turn ignition switch ON.

A
B
C
D
E
F
G
I
J
K
L
M
N
O
P

SRC

< DTC/CIRCUIT DIAGNOSIS >

>> GO TO 2.

2.CHECK AIR BAG WARNING LAMP

Check the warning lamp status.

Is malfunctioning part detected?

YES >> Refer to [SRC-316, "DTC Index"](#).

NO >> **INSPECTION END.**

Diagnosis Procedure

INFOID:000000008281660

With CONSULT

WARNING:

- **Before servicing, turn ignition switch OFF, disconnect both battery terminals and wait at least 3 minutes. (To discharge backup capacitor.)**
- **Do not use unspecified tester or other measuring device.**

DIAGNOSTIC PROCEDURE

1.CHECK HARNESS CONNECTOR

Check the connection of harness connector.

Is the inspection result normal?

YES >> GO TO 2.

NO >> Repair or replace harness connector.

2.CHECK WIRING HARNESS

Check the wiring harness externals.

Is the inspection result normal?

YES >> GO TO 3.

NO >> Repair or replace wiring harness.

3.CHECK FRONT SEAT BELT PRE-TENSIONER 2

1. Replace front RH seat belt pre-tensioner 2.

2. Check the screen of CONSULT.

Is the inspection result normal?

YES >> **INSPECTION END.**

NO >> Check the intermittent incident. Refer to [GI-46, "Intermittent Incident"](#).

B1180 PRE-TEN2 FRONT RH

< DTC/CIRCUIT DIAGNOSIS >

[FOR MEXICO]

B1180 PRE-TEN2 FRONT RH

Description

INFOID:000000008281661

DTC B1180 [SHORT] PRE-TEN2 FRONT RH

For front RH seat belt pre-tensioner 2, crash is judged by main "G" sensor output signal and sub "G" sensor in front direction.

OPERATION

In the case of a frontal collision that exceeds specified impact level, the diagnosis sensor unit detects the deceleration caused by collision. If restrains the passenger with seat belt easing the stress on passengers chest with load limiter.

STRUCTURE

The restraint system for front seat occupant consists of the pre-tensioner mechanism and load limiter mechanism.

INSTALLATION

Front RH seat belt pre-tensioner 2 is installed on the underside of center pillar with fixed nuts.

DTC Logic

INFOID:000000008281662

DTC DETECTION LOGIC

With CONSULT

DTC No. Index ("SELF-DIAG [CURRENT]"), ("SELF-DIAG [PAST]" or "TROUBLE DIAG RECORD")

DTC No.	Trouble diagnosis name	DTC detecting condition	Possible cause
B1180	PRE-TEN2 FRONT RH [SHORT]	Front RH seat belt pre-tensioner 2 circuit are shorted to each other.	<ul style="list-style-type: none"> Disconnection of wiring harness and short. Internal breakdown in front RH seat belt pre-tensioner 2. Internal breakdown in diagnosis sensor unit (ACU).

DTC CONFIRMATION PROCEDURE (With CONSULT)

1.INSPECTION START

Turn ignition switch ON.

>> GO TO 2.

2.CHECK SELF-DIAG RESULT

Check the screen of CONSULT.

Is malfunctioning part detected?

- YES >> Refer to [SRC-296. "Diagnosis Procedure"](#).
- NO >> **INSPECTION END.**

DTC CONFIRMATION PROCEDURE (Without CONSULT)

NOTE:

- SRS will not enter diagnosis mode if no malfunction is detected in user mode.

1.INSPECTION START

Turn ignition switch ON.

A
B
C
D
E
F
G
I
J
K
L
M
N
O
P

SRC

< DTC/CIRCUIT DIAGNOSIS >

>> GO TO 2.

2.CHECK AIR BAG WARNING LAMP

Check the warning lamp status.

Is malfunctioning part detected?

YES >> Refer to [SRC-316, "DTC Index"](#).

NO >> **INSPECTION END.**

Diagnosis Procedure

INFOID:000000008281663

With CONSULT

WARNING:

- **Before servicing, turn ignition switch OFF, disconnect both battery terminals and wait at least 3 minutes. (To discharge backup capacitor.)**
- **Do not use unspecified tester or other measuring device.**

DIAGNOSTIC PROCEDURE

1.CHECK HARNESS CONNECTOR

Check the connection of harness connector.

Is the inspectiion result normal?

YES >> GO TO 2.

NO >> Repair or replace harness connector.

2.CHECK WIRING HARNESS

Check the wiring harness externals.

Is the inspection result normal?

YES >> GO TO 3.

NO >> Repair or replace wiring harness.

3.CHECK FRONT SEAT BELT PRE-TENSIONER 2

1. Replace front RH seat belt pre-tensioner 2.

2. Check the screen of CONSULT.

Is the inspection result normal?

YES >> **INSPECTION END.**

NO >> Check the intermittent incident. Refer to [GI-46, "Intermittent Incident"](#).

B1182 PRE-TEN2 FRONT LH

< DTC/CIRCUIT DIAGNOSIS >

[FOR MEXICO]

B1182 PRE-TEN2 FRONT LH

Description

INFOID:000000008281664

DTC B1182 [OPEN] PRE-TEN2 FRONT LH

For front LH seat belt pre-tensioner 2, crash is judged by main "G" sensor output signal and sub "G" sensor in front direction.

OPERATION

In the case of a frontal collision that exceeds specified impact level, the diagnosis sensor unit detects the deceleration caused by collision. If restrains the passenger with seat belt easing the stress on passengers chest with load limiter.

STRUCTURE

The restraint system for front seat occupant consists of the pre-tensioner mechanism and load limiter mechanism.

INSTALLATION

Front LH seat belt pre-tensioner 2 is installed on the underside of center pillar with fixed nuts.

DTC Logic

INFOID:000000008281665

DTC DETECTION LOGIC

With CONSULT

DTC No. Index ("SELF-DIAG [CURRENT]"), ("SELF-DIAG [PAST]" or "TROUBLE DIAG RECORD")

DTC No.	Trouble diagnosis name	DTC detecting condition	Possible cause
B1182	PRE-TEN2 FRONT LH [OPEN]	Front LH seat belt pre-tensioner 2 circuit is open.	<ul style="list-style-type: none">• Disconnection of wiring harness and open.• Internal breakdown in front LH seat belt pre-tensioner 2.• Internal breakdown in diagnosis sensor unit (ACU).

DTC CONFIRMATION PROCEDURE (With CONSULT)

1.INSPECTION START

Turn ignition switch ON.

>> GO TO 2.

2.CHECK SELF-DIAG RESULT

Check the screen of CONSULT.

Is malfunctioning part detected?

- YES >> Refer to [SRC-298. "Diagnosis Procedure"](#).
NO >> **INSPECTION END.**

DTC CONFIRMATION PROCEDURE (Without CONSULT)

NOTE:

- SRS will not enter diagnosis mode if no malfunction is detected in user mode.

1.INSPECTION START

Turn ignition switch ON.

A
B
C
D
E
F
G
I
J
K
L
M
N
O
P

SRC

< DTC/CIRCUIT DIAGNOSIS >

>> GO TO 2.

2.CHECK AIR BAG WARNING LAMP

Check the warning lamp status.

Is malfunctioning part detected?YES >> Refer to [SRC-316, "DTC Index"](#).NO >> **INSPECTION END.**

Diagnosis Procedure

INFOID:000000008281666

With CONSULT

WARNING:

- **Before servicing, turn ignition switch OFF, disconnect both battery terminals and wait at least 3 minutes. (To discharge backup capacitor.)**
- **Do not use unspecified tester or other measuring device.**

DIAGNOSTIC PROCEDURE

1.CHECK HARNESS CONNECTOR

Check the connection of harness connector.

Is the inspection result normal?

YES >> GO TO 2.

NO >> Repair or replace harness connector.

2.CHECK WIRING HARNESS

Check the wiring harness externals.

Is the inspection result normal?

YES >> GO TO 3.

NO >> Replace wiring harness.

3.CHECK FRONT SEAT BELT PRE-TENSIONER 2

1. Replace front LH seat belt pre-tensioner 2.

2. Check the screen of CONSULT.

Is the inspection result normal?YES >> **INSPECTION END.**NO >> Check the intermittent incident. Refer to [GI-46, "Intermittent Incident"](#).

B1183 PRE-TEN2 FRONT LH

< DTC/CIRCUIT DIAGNOSIS >

[FOR MEXICO]

B1183 PRE-TEN2 FRONT LH

Description

INFOID:000000008281667

DTC B1183 [VB-SHORT] PRE-TEN2 FRONT LH

For front LH seat belt pre-tensioner 2, crash is judged by main "G" sensor output signal and sub "G" sensor in front direction.

OPERATION

In the case of a frontal collision that exceeds specified impact level, the diagnosis sensor unit detects the deceleration caused by collision. If restrains the passenger with seat belt easing the stress on passengers chest with load limiter.

STRUCTURE

The restraint system for front seat occupant consists of the pre-tensioner mechanism and load limiter mechanism.

INSTALLATION

Front LH seat belt pre-tensioner 2 is installed on the underside of center pillar with fixed nuts.

DTC Logic

INFOID:000000008281668

DTC DETECTION LOGIC

With CONSULT

DTC No. Index ("SELF-DIAG [CURRENT]"), ("SELF-DIAG [PAST]" or "TROUBLE DIAG RECORD")

DTC No.	Trouble diagnosis name	DTC detecting condition	Possible cause
B1183	PRE-TEN2 FRONT LH [VB-SHORT]	Front LH seat belt pre-tensioner 2 circuit is shorted to some power supply circuit.	<ul style="list-style-type: none"> Disconnection of wiring harness and short. Internal breakdown in front LH seat belt pre-tensioner 2. Internal breakdown in diagnosis sensor unit (ACU).

DTC CONFIRMATION PROCEDURE (With CONSULT)

1.INSPECTION START

Turn ignition switch ON.

>> GO TO 2.

2.CHECK SELF-DIAG RESULT

Check the screen of CONSULT.

Is malfunctioning part detected?

- YES >> Refer to [SRC-300. "Diagnosis Procedure"](#).
- NO >> **INSPECTION END.**

DTC CONFIRMATION PROCEDURE (Without CONSULT)

NOTE:

- SRS will not enter diagnosis mode if no malfunction is detected in user mode.

1.INSPECTION START

Turn ignition switch ON.

A
B
C
D
E
F
G
I
J
K
L
M
N
O
P

SRC

< DTC/CIRCUIT DIAGNOSIS >

>> GO TO 2.

2.CHECK AIR BAG WARNING LAMP

Check the warning lamp status.

Is malfunctioning part detected?

YES >> Refer to [SRC-316, "DTC Index"](#).

NO >> **INSPECTION END.**

Diagnosis Procedure

INFOID:000000008281669

With CONSULT

WARNING:

- **Before servicing, turn ignition switch OFF, disconnect both battery terminals and wait at least 3 minutes. (To discharge backup capacitor.)**
- **Do not use unspecified tester or other measuring device.**

DIAGNOSTIC PROCEDURE

1.CHECK HARNESS CONNECTOR

Check the connection of harness connector.

Is the inspection result normal?

YES >> GO TO 2.

NO >> Repair or replace harness connector.

2.CHECK WIRING HARNESS

Check the wiring harness externals.

Is the inspection result normal?

YES >> GO TO 3.

NO >> Repair or replace wiring harness.

3.CHECK FRONT SEAT BELT PRE-TENSIONER 2

1. Replace front LH seat belt pre-tensioner 2.

2. Check the screen of CONSULT.

Is the inspection result normal?

YES >> **INSPECTION END.**

NO >> Check the intermittent incident. Refer to [GI-46, "Intermittent Incident"](#).

B1184 PRE-TEN2 FRONT LH

Description

INFOID:000000008281670

DTC B1184 [GND-SHORT] PRE-TEN2 FRONT LH

For front LH seat belt pre-tensioner 2, crash is judged by main “G” sensor output signal and sub “G” sensor in front direction.

OPERATION

In the case of a frontal collision that exceeds specified impact level, the diagnosis sensor unit detects the deceleration caused by collision. If restrains the passenger with seat belt easing the stress on passengers chest with load limiter.

STRUCTURE

The restraint system for front seat occupant consists of the pre-tensioner mechanism and load limiter mechanism.

INSTALLATION

Front LH seat belt pre-tensioner 2 is installed on the underside of center pillar with fixed nuts.

DTC Logic

INFOID:000000008281671

DTC DETECTION LOGIC

With CONSULT

DTC No. Index (“SELF-DIAG [CURRENT]”), (“SELF-DIAG [PAST]” or “TROUBLE DIAG RECORD”)

SRC

DTC No.	Trouble diagnosis name	DTC detecting condition	Possible cause
B1184	PRE-TEN2 FRONT LH [GND-SHORT]	Front LH seat belt pre-tensioner 2 circuit is shorted to ground.	<ul style="list-style-type: none"> • Disconnection of wiring harness and short. • Internal breakdown in front LH seat belt pre-tensioner 2. • Internal breakdown in diagnosis sensor unit (ACU).

DTC CONFIRMATION PROCEDURE (With CONSULT)

1.INSPECTION START

Turn ignition switch ON.

>> GO TO 2.

2.CHECK SELF-DIAG RESULT

Check the screen of CONSULT.

Is malfunctioning part detected?

- YES >> Refer to [SRC-302. "Diagnosis Procedure"](#).
- NO >> **INSPECTION END.**

DTC CONFIRMATION PROCEDURE (Without CONSULT)

NOTE:

- SRS will not enter diagnosis mode if no malfunction is detected in user mode.

1.INSPECTION START

Turn ignition switch ON.

< DTC/CIRCUIT DIAGNOSIS >

>> GO TO 2.

2.CHECK AIR BAG WARNING LAMP

Check the warning lamp status.

Is malfunctioning part detected?

YES >> Refer to [SRC-316, "DTC Index"](#).

NO >> **INSPECTION END.**

Diagnosis Procedure

INFOID:000000008281672

With CONSULT

WARNING:

- **Before servicing, turn ignition switch OFF, disconnect both battery terminals and wait at least 3 minutes. (To discharge backup capacitor.)**
- **Do not use unspecified tester or other measuring device.**

DIAGNOSTIC PROCEDURE

1.CHECK HARNESS CONNECTOR

Check the connection of harness connector.

Is the inspection result normal?

YES >> GO TO 2.

NO >> Repair or replace harness connector.

2.CHECK WIRING HARNESS

Check the wiring harness externals.

Is the inspection result normal?

YES >> GO TO 3.

NO >> Replace wiring harness.

3.CHECK FRONT SEAT BELT PRE-TENSIONER 2

1. Replace front LH seat belt pre-tensioner 2.

2. Check the screen of CONSULT.

Is the inspection result normal?

YES >> **INSPECTION END.**

NO >> Check the intermittent incident. Refer to [GI-46, "Intermittent Incident"](#).

B1185 PRE-TEN2 FRONT LH

< DTC/CIRCUIT DIAGNOSIS >

[FOR MEXICO]

B1185 PRE-TEN2 FRONT LH

Description

INFOID:000000008281673

DTC B1185 [SHORT] PRE-TEN2 FRONT LH

For front LH seat belt pre-tensioner 2, crash is judged by main "G" sensor output signal and sub "G" sensor in front direction.

OPERATION

In the case of a frontal collision that exceeds specified impact level, the diagnosis sensor unit detects the deceleration caused by collision. If restrains the passenger with seat belt easing the stress on passengers chest with load limiter.

STRUCTURE

The restraint system for front seat occupant consists of the pre-tensioner mechanism and load limiter mechanism.

INSTALLATION

Front LH seat belt pre-tensioner 2 is installed on the underside of center pillar with fixed nuts.

DTC Logic

INFOID:000000008281674

DTC DETECTION LOGIC

With CONSULT

DTC No. Index ("SELF-DIAG [CURRENT]"), ("SELF-DIAG [PAST]" or "TROUBLE DIAG RECORD")

DTC No.	Trouble diagnosis name	DTC detecting condition	Possible cause
B1185	PRE-TEN2 FRONT LH [SHORT]	Front LH seat belt pre-tensioner 2 circuit are shorted to each other.	<ul style="list-style-type: none">• Disconnection of wiring harness and short.• Internal breakdown in front LH seat belt pre-tensioner 2.• Internal breakdown in diagnosis sensor unit (ACU).

DTC CONFIRMATION PROCEDURE (With CONSULT)

1.INSPECTION START

Turn ignition switch ON.

>> GO TO 2.

2.CHECK SELF-DIAG RESULT

Check the screen of CONSULT.

Is malfunctioning part detected?

- YES >> Refer to [SRC-304. "Diagnosis Procedure"](#).
NO >> **INSPECTION END.**

DTC CONFIRMATION PROCEDURE (Without CONSULT)

NOTE:

- SRS will not enter diagnosis mode if no malfunction is detected in user mode.

1.INSPECTION START

Turn ignition switch ON.

A
B
C
D
E
F
G
I
J
K
L
M
N
O
P

SRC

< DTC/CIRCUIT DIAGNOSIS >

>> GO TO 2.

2.CHECK AIR BAG WARNING LAMP

Check the warning lamp status.

Is malfunctioning part detected?

YES >> Refer to [SRC-316, "DTC Index"](#).

NO >> **INSPECTION END.**

Diagnosis Procedure

INFOID:000000008281675

With CONSULT

WARNING:

- **Before servicing, turn ignition switch OFF, disconnect both battery terminals and wait at least 3 minutes. (To discharge backup capacitor.)**
- **Do not use unspecified tester or other measuring device.**

DIAGNOSTIC PROCEDURE

1.CHECK HARNESS CONNECTOR

Check the connection of harness connector.

Is the inspection result normal?

YES >> GO TO 2.

NO >> Repair or replace harness connector.

2.CHECK WIRING HARNESS

Check the wiring harness externals.

Is the inspection result normal?

YES >> GO TO 3.

NO >> Replace wiring harness.

3.CHECK FRONT SEAT BELT PRE-TENSIONER 2

1. Replace front LH seat belt pre-tensioner 2.

2. Check the screen of CONSULT.

Is the inspection result normal?

YES >> **INSPECTION END.**

NO >> Check the intermittent incident. Refer to [GI-46, "Intermittent Incident"](#).

B1186, B1187, B1188, B1189 DIAGNOSIS SENSOR UNIT

< DTC/CIRCUIT DIAGNOSIS >

[FOR MEXICO]

B1186, B1187, B1188, B1189 DIAGNOSIS SENSOR UNIT

Description

INFOID:000000008281676

Checks the entire SRS and displays the malfunction either by illuminating or blinking the air bag warning lamp on the combination meter. Malfunctioning part can be detected by on board self-diagnosis system and CONSULT.

OPERATION

It detects a shock that exceeds a specified level and monitors whether the driver and passenger air bags, front side air bag, side curtain air bag and pre-tensioner seat belts operate normally.

STRUCTURE

It contains the "G" sensors for both frontal and side collisions and spare battery function in case of main battery damage in collision.

INSTALLATION

Air bag diagnosis sensor unit is installed under the center console with fixed bolts.

DTC Logic

INFOID:000000008281677

DTC No.	Trouble diagnosis name	DTC detecting condition	Possible cause
B1187 B1189	CONTROL UNIT	Air bag diagnosis sensor unit is malfunctioning or out of the specification	<ul style="list-style-type: none">Malfunction in air bag diagnosis sensor unitConfiguration in air bag diagnosis sensor unit does not match the vehicle specification

A
B
C
D
E
F

G

SRC

DTC CONFIRMATION PROCEDURE

1. CHECK SELF-DIAG RESULT

With CONSULT

- Turn ignition switch ON.
- Perform "AIR BAG" Self Diagnostic Result.

Without CONSULT

- Turn ignition switch ON.
- Check the air bag warning lamp status. Refer to [SRC-183, "Diagnosis Description"](#).

NOTE:

SRS does not enter diagnosis mode if no malfunction is detected in user mode.

Is malfunctioning part detected?

- YES >> Refer to [SRC-305, "Diagnosis Procedure"](#).
NO >> INSPECTION END

Diagnosis Procedure

INFOID:000000008281678

WARNING:

- Before servicing, turn ignition switch OFF, disconnect battery negative terminal and wait at least 3 minutes. (To discharge backup capacitor.)
- Never use unspecified tester or other measuring device.

1. CHECK HARNESS CONNECTOR

Check the harness connector.

Is the inspection result normal?

- YES >> GO TO 2.
NO >> Replace harness connectors.

2. CHECK WIRING HARNESS

Check the wiring harness externals.

Is the inspection result normal?

- YES >> GO TO 3.

I
J
K
L
M
N
O
P

B1186, B1187, B1188, B1189 DIAGNOSIS SENSOR UNIT

< DTC/CIRCUIT DIAGNOSIS >

[FOR MEXICO]

NO >> Replace wiring harness.

3. REPLACE AIR BAG DIAGNOSIS SENSOR UNIT

1. Replace air bag diagnosis sensor unit. Refer to [SR-24, "Removal and Installation"](#).
2. Perform DTC confirmation procedure. Refer to [SRC-305, "DTC Logic"](#).

Is DTC detected?

YES >> GO TO 1.

NO >> INSPECTION END

B1202, B1203, B1204, B1205, B1206, B1207 DIAGNOSIS SENSOR UNIT

< DTC/CIRCUIT DIAGNOSIS >

[FOR MEXICO]

B1202, B1203, B1204, B1205, B1206, B1207 DIAGNOSIS SENSOR UNIT

Description

INFOID:000000008281679

DTC B1202, B1203, B1204, B1205, B1206, B1207 DIAGNOSIS SENSOR UNIT

Detects the whole SRS electrical system and displays the malfunction either by illuminating or blinking the air bag warning lamp in the combination meter. Malfunctioning part can be detected by on board self-diagnosis system and electro-diagnosis tester CONSULT.

OPERATION

It detects a shock that exceeds specified level and monitors such systems as the driver and passenger air bag, side air bag, curtain air bag, pre-tensioner seat belts operate properly.

STRUCTURE

It contains the "G" sensors for both frontal and side collisions and spare battery function in case of main battery damage in collision.

INSTALLATION

SRS diagnosis sensor unit is installed under the center console with fixed bolts.

DTC Logic

INFOID:000000008281680

DTC DETECTION LOGIC

With CONSULT

DTC No. Index ("SELF-DIAG [CURRENT]"), ("SELF-DIAG [PAST]" or "TROUBLE DIAG RECORD")

DTC No.	Trouble diagnosis name	DTC detecting condition	Possible cause
B1202 B1203 B1204 B1205 B1206 B1207	CONTROL UNIT	Diagnosis sensor unit is out of order.	Internal breakdown in diagnosis sensor unit (ACU).

DTC CONFIRMATION PROCEDURE (With CONSULT)

1.INSPECTION START

Turn ignition switch ON.

>> GO TO 2.

2.CHECK SELF-DIAG RESULT

Check the screen of CONSULT.

Is malfunctioning part detected?

- YES >> Refer to [SRC-308. "Diagnosis Procedure"](#).
- NO >> **INSPECTION END.**

DTC CONFIRMATION PROCEDURE (Without CONSULT)

NOTE:

- SRS will not enter diagnosis mode if no malfunction is detected in user mode.

1.INSPECTION START

Turn ignition switch ON.

A
B
C
D
E
F
G
I
J
K
L
M
N
O
P

SRC

B1202, B1203, B1204, B1205, B1206, B1207 DIAGNOSIS SENSOR UNIT

< DTC/CIRCUIT DIAGNOSIS >

[FOR MEXICO]

>> GO TO 2.

2.CHECK AIR BAG WARNING LAMP

Check the warning lamp status.

Is malfunctioning part detected?

YES >> Refer to [SRC-316, "DTC Index"](#).

NO >> **INSPECTION END.**

Diagnosis Procedure

INFOID:000000008281681

With CONSULT

WARNING:

- **Before servicing, turn ignition switch OFF, disconnect both battery terminals and wait at least 3 minutes. (To discharge backup capacitor.)**
- **Do not use unspecified tester or other measuring device.**

DIAGNOSTIC PROCEDURE

1.CHECK HARNESS CONNECTOR

Check the connection of harness connector.

Is the inspection result normal?

YES >> GO TO 2.

NO >> Repair or replace harness connectors.

2.CHECK WIRING HARNESS

Check the wiring harness externals.

Is the inspection result normal?

YES >> GO TO 3.

NO >> Repair or replace wiring harness.

3.CHECK DIAGNOSIS SENSOR UNIT

1. Replace diagnosis sensor unit (ACU).

2. Check the screen of CONSULT.

Is the inspection result normal?

YES >> **INSPECTION END.**

NO >> Check the intermittent incident. Refer to [GI-46, "Intermittent Incident"](#).

B1209 FRONTAL COLLISION DETECTION

< DTC/CIRCUIT DIAGNOSIS >

[FOR MEXICO]

B1209 FRONTAL COLLISION DETECTION

Description

INFOID:000000008281682

DTC B1209 FRONTAL COLLISION DETECTION

Detects component damage resulting from a front collision, blinks or illuminates the air bag warning lamp to inform the driver. Malfunctioning part can be detected by the CONSULT.

OPERATION

The air bag and seat belt pre-tensioners for driver and front seat passenger are operated by the decision of the diagnosis sensor unit (ACU) out signal transmitted because of the frontal collision.

STRUCTURE

It consists of crash zone sensor, diagnosis sensor unit (ACU), air bags and seat belt pre-tensioners for driver and front passenger.

INSTALLATION

Refer to [SR-36, "Removal and Installation"](#), [SR-41, "Removal and Installation"](#), [SB-7, "SEAT BELT RETRAC-TOR : Removal and Installation"](#), [SR-39, "Removal and Installation"](#), [SR-49, "Removal and Installation"](#).

DTC Logic

INFOID:000000008281683

DTC DETECTION LOGIC

With CONSULT

DTC No. Index ("SELF-DIAG [CURRENT]"), ("SELF-DIAG [PAST]" or "TROUBLE DIAG RECORD")

DTC No.	Trouble diagnosis name	DTC detecting condition	Possible cause
B1209	FRONTAL COLLISION DETECTION	Front seat belt pre-tensioner, front air bag is deployed.	—

DTC CONFIRMATION PROCEDURE (With CONSULT)

1.INSPECTION START

Turn ignition switch ON.

>> GO TO 2.

2.CHECK SELF-DIAG RESULT

Check the screen of CONSULT.

Is malfunctioning part detected?

- YES >> Refer to [SRC-309, "Diagnosis Procedure"](#).
- NO >> **INSPECTION END.**

Diagnosis Procedure

INFOID:000000008281684

WARNING:

- Before servicing, turn ignition switch OFF, disconnect battery negative terminal, and wait at least 3 minutes or more. (To discharge backup capacitor.)
- Never use unspecified tester or other measuring device.

1.PERFORM COLLISION DIAGNOSIS

Perform collision diagnosis.Refer to [SR-30, "FOR FRONTAL COLLISION : When SRS is activated in a collision"](#) or [SR-31, "FOR FRONTAL COLLISION : When SRS is not activated in a collision"](#).

Is collision diagnosis complete?

- YES >> GO TO 2.

B1209 FRONTAL COLLISION DETECTION

[FOR MEXICO]

< DTC/CIRCUIT DIAGNOSIS >

NO >> INSPECTION END

2.FINAL INSPECTION

Perform "AIR BAG" Self Diagnostic Result.

Is the inspection result normal?

YES >> INSPECTION END

NO >> Perform diagnosis of applicable DTC.Refer to [SRC-316, "DTC Index"](#).

B1210 SIDE COLLISION DETECTION

< DTC/CIRCUIT DIAGNOSIS >

[FOR MEXICO]

B1210 SIDE COLLISION DETECTION

Description

INFOID:000000008281685

DTC B1210 SIDE COLLISION DETECTION

Detects component damage resulting from a side collision, brinks or illuminates the air bag warning lamp to inform the driver. Malfunctioning part can be detected by the CONSULT.

OPERATION

The side air bag and curtain air bag are operated by the decision of the diagnosis sensor unit (ACU) signal of the side collision.

STRUCTURE

It consists of satellite sensor, diagnosis sensor unit (ACU), front side air bag and side curtain air bag.

INSTALLATION

Refer to [SR-47, "Removal and Installation"](#), [SR-43, "Removal and Installation"](#), [SR-49, "Removal and Installation"](#).

DTC Logic

INFOID:000000008281686

DTC DETECTION LOGIC

With CONSULT

DTC No. Index ("SELF-DIAG [CURRENT]"), ("SELF-DIAG [PAST]" or "TROUBLE DIAG RECORD")

DTC No.	Trouble diagnosis name	DTC detecting condition	Possible cause
B1210	SIDE COLLISION DETECTION	Front side air bag, side curtain air bag is deployed.	—

DTC CONFIRMATION PROCEDURE (With CONSULT)

1.INSPECTION START

Turn ignition switch ON.

>> GO TO 2.

2.CHECK SELF-DIAG RESULT

Check the screen of CONSULT.

Is malfunctioning part detected?

YES >> Refer to [SRC-311, "Diagnosis Procedure"](#).

NO >> **INSPECTION END.**

Diagnosis Procedure

INFOID:000000008281687

WARNING:

- Before servicing, turn ignition switch OFF, disconnect battery negative terminal, and wait at least 3 minutes or more. (To discharge backup capacitor.)
- Never use unspecified tester or other measuring device.

1.PERFORM COLLISION DIAGNOSIS

Perform collision diagnosis.Refer to [SR-32, "FOR SIDE AND ROLLOVER COLLISION : When SRS is activated in a collision"](#) or [SR-33, "FOR SIDE AND ROLLOVER COLLISION : When SRS is not activated in a collision"](#).

Is collision diagnosis complete?

YES >> GO TO 2.

NO >> **INSPECTION END**

A
B
C
D
E
F
G
I
J
K
L
M
N
O
P

SRC

B1210 SIDE COLLISION DETECTION

< DTC/CIRCUIT DIAGNOSIS >

[FOR MEXICO]

2.FINAL INSPECTION

Perform "AIR BAG" Self Diagnostic Result.

Is the inspection result normal?

YES >> INSPECTION END

NO >> Perform diagnosis of applicable DTC.Refer to [SRC-316, "DTC Index"](#).

B1211 ROLLOVER DETECTION

< DTC/CIRCUIT DIAGNOSIS >

[FOR MEXICO]

B1211 ROLLOVER DETECTION

Description

INFOID:000000008281688

DTC B1211 ROLLOVER DETECTION

When detect a component damage resulting from a rollover, brinks or illuminates the air bag warning lamp to inform the driver. Malfunctioning can be detected by the CONSULT.

OPERATION

The front seat belt pre-tensioner and side curtain air bag are operated by the decision of the air bag diagnosis sensor unit signal of the rollover.

STRUCTURE

It consists of front seat belt pre-tensioner, side curtain air bag and air bag diagnosis sensor unit.

INSTALLATION

Refer to [SR-26. "Removal and Installation"](#), [SR-18. "Removal and Installation"](#) and [SR-24. "Removal and Installation"](#).

DTC Logic

INFOID:000000008281689

DTC DETECTION LOGIC

With CONSULT

DTC No. Index ("SELF-DIAG [CURRENT]"), ("SELF-DIAG [PAST]" or "TROUBLE DIAG RECORD")

DTC No.	Trouble diagnosis name	DTC detecting condition	Possible cause
B1211	ROLLOVER DETECTION	Front seat belt pre-tensioner. side curtain air bag module are deployed because of rollover detection	—

DTC CONFIRMATION PROCEDURE (With CONSULT)

1.INSPECTION START

Turn ignition switch ON.

>> GO TO 2.

2.CHECK SELF-DIAG RESULT

Check the screen of CONSULT.

Is malfunctioning part detected?

YES >> Refer to [SRC-313. "Diagnosis Procedure"](#).

NO >> **INSPECTION END.**

Diagnosis Procedure

INFOID:000000008281690

WARNING:

- Before servicing, turn ignition switch OFF, disconnect battery negative terminal, and wait at least 3 minutes or more. (To discharge backup capacitor.)
- Never use unspecified tester or other measuring device.

1.PERFORM COLLISION DIAGNOSIS

Perform collision diagnosis.Refer to [SR-7. "FOR SIDE AND ROLLOVER COLLISION : When SRS is activated in a collision"](#) or [SR-8. "FOR SIDE AND ROLLOVER COLLISION : When SRS is not activated in a collision"](#).

Is collision diagnosis complete?

YES >> GO TO 2.

NO >> INSPECTION END

A
B
C
D
E
F
G

SRC

I
J
K
L
M
N
O
P

B1211 ROLLOVER DETECTION

< DTC/CIRCUIT DIAGNOSIS >

[FOR MEXICO]

2. FINAL INSPECTION

Perform "AIR BAG" Self Diagnostic Result.

Is the inspection result normal?

YES >> INSPECTION END

NO >> Perform diagnosis of applicable DTC. Refer to [SRC-316, "DTC Index"](#).

B1218, B1219, B1220, B1221, B1222, B1223 DIAGNOSIS SENSOR UNIT

< DTC/CIRCUIT DIAGNOSIS >

[FOR MEXICO]

B1218, B1219, B1220, B1221, B1222, B1223 DIAGNOSIS SENSOR UNIT

DTC Logic

INFOID:000000008281691

DTC DETECTION LOGIC

DTC	Display contents of CONSULT	DTC detecting condition	Possible cause
B1218 B1219 B1220 B1221 B1222 B1223	CONTROL UNIT	Air bag diagnosis sensor unit is malfunctioning	Malfunction in air bag diagnosis sensor unit

DTC CONFIRMATION PROCEDURE

1. CHECK SELF-DIAG RESULT

With CONSULT

1. Turn ignition switch ON.
2. Perform "Self Diagnostic Result" mode of "AIR BAG" using CONSULT.

Without CONSULT

1. Turn ignition switch ON.
2. Check the air bag warning lamp status. Refer to [SRC-183, "Diagnosis Description"](#).

NOTE:

SRS does not enter the diagnosis mode if no malfunction is detected in the user mode.

Is malfunctioning part detected?

- YES >> Refer to [SRC-315, "Diagnosis Procedure"](#).
NO >> INSPECTION END

Diagnosis Procedure

INFOID:000000008281692

WARNING:

- Before servicing, turn ignition switch OFF, disconnect battery negative terminal, and wait at least 3 minutes or more. (To discharge backup capacitor.)
- Never use unspecified tester or other measuring device.

1. CHECK HARNESS CONNECTOR

Check the harness connector.

Is the inspection result normal?

- YES >> GO TO 2.
NO >> Replace harness connectors.

2. CHECK WIRING HARNESS

Check the wiring harness externals.

Is the inspection result normal?

- YES >> GO TO 3.
NO >> Replace wiring harness.

3. REPLACE AIR BAG DIAGNOSIS SENSOR UNIT

1. Replace air bag diagnosis sensor unit. Refer to [SR-24, "Removal and Installation"](#).
2. Perform DTC confirmation procedure. Refer to [SRC-315, "DTC Logic"](#).

Is DTC detected?

- YES >> GO TO 1.
NO >> INSPECTION END

DIAGNOSIS SENSOR UNIT

< ECU DIAGNOSIS INFORMATION >

[FOR MEXICO]

ECU DIAGNOSIS INFORMATION

DIAGNOSIS SENSOR UNIT

DTC Index

INFOID:000000008281693

DTC No. Index (With CONSULT)

("SELF-DIAG [CURRENT]"), ("SELF-DIAG [PAST]" or "TROUBLE DIAG RECORD")

NOTE:

Follow the procedures in numerical order when repairing malfunctioning parts. Confirm whether malfunction is eliminated using air bag warning lamp or CONSULT each time repair is completed. If malfunction is still observed, proceed to the next step. When malfunction is eliminated, further repair work is not required.

Diagnostic item	Explanation	Repair order "Recheck SRS at each replacement"	
NO DTC IS DETECTED.	When malfunction is indicated by the "AIR BAG" warning lamp in User mode.	Low battery voltage (Less than 9 V) <ul style="list-style-type: none"> Self-diagnosis result "SELF-DIAG [PAST]" (previously stored in the memory) might not be erased after repair. Intermittent malfunction has been detected in the past. 	— Go to SRC-183, "Diagnosis Description" .
	No malfunction is detected.	—	
CONTROL UNIT [B1001-B1015] [B1026-B1031]	Diagnosis sensor is out of order.	Replace diagnosis sensor unit (ACU).	
CRASH ZONE SEN [UNIT FAIL] [B1033] [B1034] CRASH ZONE SEN [COMM FAIL] [B1035] [UNMATCH] [B1036] [OPEN/UPR-VB-SHORT] [B1038] [SHORT/UPR-GND-SHORT] [B1040]	Crash zone sensor is out of order.	<ol style="list-style-type: none"> 1. Repair or replace wiring harness / harness connector. 2. Replace crash zone sensor. 3. Replace diagnosis sensor unit (ACU). 	
CONTROL UNIT [B1042-B1047]	Diagnosis sensor is out of order.	Replace diagnosis sensor unit (ACU).	

DIAGNOSIS SENSOR UNIT

< ECU DIAGNOSIS INFORMATION >

[FOR MEXICO]

Diagnostic item	Explanation	Repair order "Recheck SRS at each replacement"	A
DRIVER AIRBAG MODULE [OPEN] [B1049]	Driver air bag module circuit is open. (including the spiral cable.)	<ol style="list-style-type: none"> 1. Repair or replace wiring harness/harness connector. 2. Replace driver air bag module. 3. Replace spiral cable. Refer to SRC-202, "Diagnosis Procedure". 4. Replace diagnosis sensor unit (ACU). 	B
DRIVER AIRBAG MODULE [VB-SHORT] [B1050]	Driver air bag module circuit is shorted to some power supply circuit. (including the spiral cable.)		C
DRIVER AIRBAG MODULE [GND-SHORT] [B1051]	Driver air bag module circuit is shorted to ground. (including the spiral cable.)		D
DRIVER AIRBAG MODULE [SHORT] [B1052]	<ul style="list-style-type: none"> Driver air bag module circuits are shorted to each other. (including spiral cable.) Driver air bag module circuit is shorted to itself. 		E
CONTROL UNIT [B1058-B1063]	Diagnosis sensor is out of order.	Replace diagnosis sensor unit (ACU).	F
ASSIST A/B MODULE [OPEN] [B1065]	Front passenger air bag module circuit is open.	<ol style="list-style-type: none"> 1. Repair or replace wiring harness/harness connector. 2. Replace front passenger air bag module. 3. Replace diagnosis sensor unit (ACU). 	G
ASSIST A/B MODULE [VB-SHORT] [B1066]	Front passenger air bag module circuit is shorted to some power supply circuit.		SRC
ASSIST A/B MODULE [GND-SHORT] [B1067]	Front passenger air bag module circuit is shorted to ground.		I
ASSIST A/B MODULE [SHORT] [B1068]	<ul style="list-style-type: none"> Front passenger air bag module circuits are shorted to each other. Front passenger air bag module circuit is shorted to itself. 		J
CONTROL UNIT [B1074-B1079]	Diagnosis sensor is out of order.	Replace diagnosis sensor unit (ACU).	K
PRE-TEN FRONT RH [OPEN] [B1081]	Front RH seat belt pre-tensioner circuit is open.	<ol style="list-style-type: none"> 1. Repair or replace wiring harness/harness connector. 2. Replace front RH seat belt pre-tensioner. 3. Replace diagnosis sensor unit (ACU). 	L
PRE-TEN FRONT RH [VB-SHORT] [B1082]	Front RH seat belt pre-tensioner circuit is shorted to some power supply circuit.		M
PRE-TEN FRONT RH [GND-SHORT] [B1083]	Front RH seat belt pre-tensioner circuit is shorted to ground.		N
PRE-TEN FRONT RH [SHORT] [B1084]	<ul style="list-style-type: none"> Front RH seat belt pre-tensioner circuits are shorted to each other. Front RH seat belt pre-tensioner circuit is shorted to itself. 		O
			P

DIAGNOSIS SENSOR UNIT

< ECU DIAGNOSIS INFORMATION >

[FOR MEXICO]

Diagnostic item	Explanation	Repair order "Recheck SRS at each replacement"
PRE-TEN FRONT LH [OPEN] [B1086]	Front LH seat belt pre-tensioner circuit is open.	<ol style="list-style-type: none"> 1. Repair or replace wiring harness/harness connector. 2. Replace front LH seat belt pre-tensioner. 3. Replace diagnosis sensor unit (ACU).
PRE-TEN FRONT LH [VB-SHORT] [B1087]	Front LH seat belt pre-tensioner circuit is shorted to some power supply circuit.	
PRE-TEN FRONT LH [GND-SHORT] [B1088]	Front LH seat belt pre-tensioner circuit is shorted to ground.	
PRE-TEN FRONT LH [SHORT] [B1089]	<ul style="list-style-type: none"> • Front LH seat belt pre-tensioner circuits are shorted to each other. • Front LH seat belt pre-tensioner circuit is shorted to itself. 	
CONTROL UNIT [B1091-B1093]	Diagnosis sensor is out of order.	Replace diagnosis sensor unit (ACU).
CONTROL UNIT [B1106-B1111]	Diagnosis sensor is out of order.	Replace diagnosis sensor unit (ACU).
SATELLITE SENS RH [UNIT FAIL] [B1113] [B1114] SATELLITE SENS RH [COMM FAIL] [B1115] [UNMATCH] [B1116]	RH satellite sensor is out of order.	<ol style="list-style-type: none"> 1. Repair or replace wiring harness/harness connector. 2. Replace RH satellite sensor. 3. Replace diagnosis sensor unit (ACU).
SATELLITE SENS LH [UNIT FAIL] [B1118] [B1119] SATELLITE SENS LH [COMM FAIL] [B1120] [UNMATCH] [B1121]	LH satellite sensor is out of order.	<ol style="list-style-type: none"> 1. Repair or replace wiring harness/harness connector. 2. Replace LH satellite sensor. 3. Replace diagnosis sensor unit (ACU).
CONTROL UNIT [B1122-B1127]	Diagnosis sensor is out of order.	Replace diagnosis sensor unit (ACU).
SIDE MODULE RH [OPEN] [B1129]	Front RH side air bag module circuit is open.	<ol style="list-style-type: none"> 1. Repair or replace wiring harness/harness connector. 2. Replace front RH side air bag module. 3. Replace diagnosis sensor unit (ACU).
SIDE MODULE RH [VB-SHORT] [B1130]	Front RH side air bag module circuit is shorted to some power supply circuit.	
SIDE MODULE RH [GND-SHORT] [B1131]	Front RH side air bag module circuit is shorted to ground.	
SIDE MODULE RH [SHORT] [B1132]	<ul style="list-style-type: none"> • Front LH seat belt pre-tensioner circuits are shorted to each other. • Front LH seat belt pre-tensioner circuit is shorted to itself. 	

DIAGNOSIS SENSOR UNIT

< ECU DIAGNOSIS INFORMATION >

[FOR MEXICO]

Diagnostic item	Explanation	Repair order "Recheck SRS at each replacement"	A
SIDE MODULE LH [OPEN] [B1134]	Front LH side air bag module circuit is open.	<ol style="list-style-type: none"> 1. Repair or replace wiring harness/harness connector. 2. Replace front LH side air bag module. 3. Replace diagnosis sensor unit (ACU). 	A
SIDE MODULE LH [VB-SHORT] [B1135]	Front LH side air bag module circuit is shorted to some power supply circuit.		B
SIDE MODULE LH [GND-SHORT] [B1136]	Front LH side air bag module circuit is shorted to ground.		C
SIDE MODULE LH [SHORT] [B1137]	<ul style="list-style-type: none"> • Front LH side air bag module circuits are shorted to each other. • Front LH side air bag module circuit is shorted to itself. 		D
CONTROL UNIT [B1138-B1143]	Diagnosis sensor is out of order.	Replace diagnosis sensor unit (ACU).	E
CURTAIN MODULE RH [OPEN] [B1145]	RH side curtain air bag module circuit is open.	<ol style="list-style-type: none"> 1. Repair or replace wiring harness/harness connector. 2. Replace RH side curtain air bag module. 3. Replace diagnosis sensor unit (ACU). 	F
CURTAIN MODULE RH [VB-SHORT] [B1146]	RH side curtain air bag module circuit is shorted to some power supply circuit.		G
CURTAIN MODULE RH [GND-SHORT] [B1147]	RH side curtain air bag module circuit is shorted to ground.		SRC
CURTAIN MODULE RH [SHORT] [B1148]	<ul style="list-style-type: none"> • RH side curtain air bag module circuits are shorted to each other. • RH side curtain air bag module circuit is shorted to itself. 		I
CURTAIN MODULE LH [OPEN] [B1150]	LH side curtain air bag module circuit is open.	<ol style="list-style-type: none"> 1. Repair or replace wiring harness/harness connector. 2. Replace LH side curtain air bag module. 3. Replace diagnosis sensor unit (ACU). 	J
CURTAIN MODULE LH [VB-SHORT] [B1151]	LH side curtain air bag module circuit is shorted to some power supply circuits.		K
CURTAIN MODULE LH [GND-SHORT] [B1152]	LH side curtain air bag module circuit is shorted to ground.		L
CURTAIN MODULE LH [SHORT] [B1153]	<ul style="list-style-type: none"> • LH side curtain air bag module circuits are shorted to each other. • LH side curtain air bag module circuit is shorted to itself. 		M
CONTROL UNIT [B1155-B1157]	Diagnosis sensor is out of order.	Replace diagnosis sensor unit (ACU).	N
CONTROL UNIT [B1170-B1175]	Diagnosis sensor is out of order.	Replace diagnosis sensor unit (ACU).	N
PRE-TEN2 FRONT RH [OPEN] [B1177]	Front RH seat belt pre-tensioner 2 circuit is open.	<ol style="list-style-type: none"> 1. Repair or replace wiring harness/harness connector. 2. Replace front RH seat belt pre-tensioner 2. 3. Replace diagnosis sensor unit (ACU). 	O
PRE-TEN2 FRONT RH [VB-SHORT] [B1178]	Front RH seat belt pre-tensioner 2 circuit is shorted to some power supply circuit.		P
PRE-TEN2 FRONT RH [GND-SHORT] [B1179]	Front RH seat belt pre-tensioner 2 circuit is shorted to ground.		
PRE-TEN2 FRONT RH [SHORT] [B1180]	<ul style="list-style-type: none"> • Front RH seat belt pre-tensioner 2 circuits are shorted to each other. • Front RH seat belt pre-tensioner 2 circuit is shorted to itself. 		

DIAGNOSIS SENSOR UNIT

< ECU DIAGNOSIS INFORMATION >

[FOR MEXICO]

Diagnostic item	Explanation	Repair order "Recheck SRS at each replacement"
PRE-TEN2 FRONT LH [OPEN] [B1182]	Front LH seat belt pre-tensioner 2 circuit is open.	<ol style="list-style-type: none"> 1. Repair or replace wiring harness/harness connector. 2. Replace front LH seat belt pre-tensioner 2. 3. Replace diagnosis sensor unit (ACU).
PRE-TEN2 FRONT LH [VB-SHORT] [B1183]	Front LH seat belt pre-tensioner 2 circuit is shorted to some power supply circuit.	
PRE-TEN2 FRONT LH [GND-SHORT] [B1184]	Front LH seat belt pre-tensioner 2 circuit is shorted to ground.	
PRE-TEN2 FRONT LH [SHORT] [B1185]	<ul style="list-style-type: none"> • Front LH seat belt pre-tensioner 2 circuits are shorted to each other. • Front LH seat belt pre-tensioner 2 circuit is shorted to itself. 	
CONTROL UNIT [B1187-B1189]	Diagnosis sensor is out of order.	Replace diagnosis sensor unit (ACU).
CONTROL UNIT [B1202-B1207]	Diagnosis sensor is out of order.	Replace diagnosis sensor unit (ACU).
FRONTAL COLLISION DETECTION [B1209]	Seat belt pre-tensioner and front air bags is deployed.	Go to SRC-309, "Diagnosis Procedure" .
SIDE COLLISION DETECTION [B1210]	Side and curtain air bag is deployed.	Go to SRC-311, "Diagnosis Procedure" .
ROLLOVER DETECTION [B1210]	Seat belt pre-tensioner and side and curtain air bag is deployed.	Go to SRC-313, "Diagnosis Procedure" .
CONTROL UNIT [B1218-B1223]	Diagnosis sensor is out of order.	Replace diagnosis sensor unit (ACU).

WARNING LAMP FLASH CODE CHART (Without CONSULT)

NOTE:

Follow the procedures in numerical order when repairing malfunctioning parts. Confirm whether malfunction is eliminated using air bag warning lamp or CONSULT each time repair is completed. If malfunction is still observed, proceed to the next step. When malfunction is eliminated, further repair work is not required.

<Diagnosis results (previously stored in the memory) might not be erased after repair or intermittent malfunctions have been detected in the past.>	
Flash pattern a through b are repeated. IGN ON 	Repair order 1. Erase memory. (Once key switch is turned from OFF to ON, TROUBLE DIAG RECORD will be erased.)

PHIA0532E

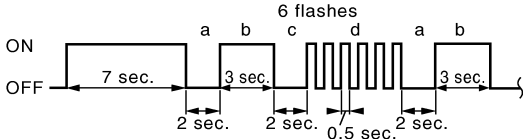
<Diagnosis sensor unit>	
Flash pattern a through d are repeated. d: Seven flashes indicate malfunctioning diagnosis sensor unit circuit. 	Repair order 1. Replace the diagnosis sensor unit (ACU).

JMHA0034GB

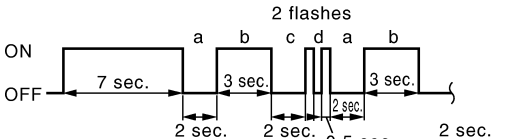
DIAGNOSIS SENSOR UNIT

< ECU DIAGNOSIS INFORMATION >

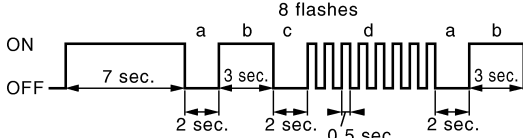
[FOR MEXICO]

<Crash zone sensor>	
Flash pattern	Repair order
<p>a through d are repeated. d: Six flashes indicate malfunctioning crash zone sensor circuit.</p> 	<ol style="list-style-type: none"> 1. Visually check the wiring harness connection. 2. Replace the harness if it has visible damage. 3. Replace the crash zone sensor. 4. Replace the diagnosis sensor unit.

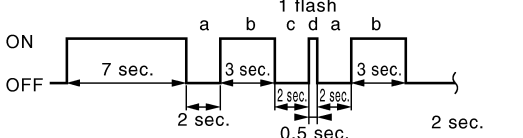
JMHA0036GB

<Driver air bag module>	
Flash pattern	Repair order
<p>a through d are repeated. d: Two flashes indicate malfunctioning driver air bag module circuit.</p> 	<ol style="list-style-type: none"> 1. Visually check the wiring harness connection. 2. Replace the harness if it has visible damage. 3. Replace the driver air bag module. 4. Replace the spiral cable. 5. Replace the diagnosis sensor unit (ACU).

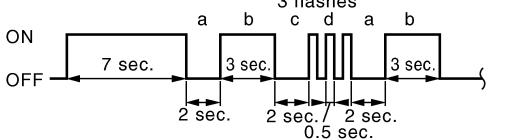
JMHA0033GB

<Front passenger air bag module>	
Flash pattern	Repair order
<p>a through d are repeated. d: Eight flashes indicate malfunctioning front passenger air bag module circuit.</p> 	<ol style="list-style-type: none"> 1. Visually check the wiring harness connection. 2. Replace the harness if it has visible damage. 3. Replace the front passenger air bag module. 4. Replace the diagnosis sensor unit (ACU).

JMHA0035GB

<Front RH seat belt pre-tensioner>	
Flash pattern	Repair order
<p>a through d are repeated. d: One flash indicates malfunctioning front RH seat belt pre-tensioner circuit.</p> 	<ol style="list-style-type: none"> 1. Visually check the wiring harness connections. 2. Replace the harness if it has visible damage. 3. Replace the front RH seat belt. 4. Replace the diagnosis sensor unit (ACU).

JMHA0037GB

<Front LH seat belt pre-tensioner>	
Flash pattern	Repair order
<p>a through d are repeated. d: Three flashes indicate malfunctioning front LH seat belt pre-tensioner circuit.</p> 	<ol style="list-style-type: none"> 1. Visually check the wiring harness connections. 2. Replace the harness if it has visible damage. 3. Replace the front LH seat belt. 4. Replace the diagnosis sensor unit (ACU).

JMHA0038GB

A
B
C
D
E
F
G
I
J
K
L
M
N
O
P

SRC

DIAGNOSIS SENSOR UNIT

< ECU DIAGNOSIS INFORMATION >

[FOR MEXICO]

<RH side air bag (Satellite) sensor>	
<p>Flash pattern</p> <p>a through f are repeated. f: Three flashes indicate malfunctioning RH side air bag (Satellite) sensor circuit.</p>	<p>Repair order</p> <ol style="list-style-type: none"> 1. Visually check the wiring harness connection. 2. Replace the harness if it has visible damage. 3. Replace the RH side air bag (Satellite) sensor. 4. Replace the diagnosis sensor unit.
JMHA0039GB	

<LH side air bag (Satellite) sensor>	
<p>Flash pattern</p> <p>a through f are repeated. f: Four flashes indicate malfunctioning LH side air bag (Satellite) sensor.</p>	<p>Repair order</p> <ol style="list-style-type: none"> 1. Visually check the wiring harness connection. 2. Replace the harness if it has visible damage. 3. Replace the LH side air bag (Satellite) sensor. 4. Replace the diagnosis sensor unit.
JMHA0040GB	

<Front RH side air bag module>	
<p>Flash pattern</p> <p>a through f are repeated. f: One flash indicates malfunctioning front RH side air bag module circuit.</p>	<p>Repair order</p> <ol style="list-style-type: none"> 1. Visually check the wiring harness connection. 2. Replace the harness if it has visible damage. 3. Replace the front RH side air bag module. 4. Replace the diagnosis sensor unit (ACU).
JMHA0041GB	

<Front LH side air bag module>	
<p>Flash pattern</p> <p>a through f are repeated. f: Two flashes indicate malfunctioning front LH side air bag module circuit.</p>	<p>Repair order</p> <ol style="list-style-type: none"> 1. Visually check the wiring harness connection. 2. Replace the harness if it has visible damage. 3. Replace the front LH side air bag module. 4. Replace the diagnosis sensor unit (ACU).
JMHA0042GB	

<RH side curtain air bag module>	
<p>Flash pattern</p> <p>a through f are repeated. f: Five flashes indicate malfunctioning RH side curtain air bag module circuit.</p>	<p>Repair order</p> <ol style="list-style-type: none"> 1. Visually check the wiring harness connection. 2. Replace the harness if it has visible damage. 3. Replace the RH side curtain air bag module. 4. Replace the diagnosis sensor unit (ACU).
JMHA0043GB	

DIAGNOSIS SENSOR UNIT

< ECU DIAGNOSIS INFORMATION >

[FOR MEXICO]

<LH side curtain air bag module>	
Flash pattern	Repair order
<p>a through f are repeated. f: Six flashes indicate malfunctioning LH side curtain air bag module circuit.</p>	<ol style="list-style-type: none"> 1. Visually check the wiring harness connection. 2. Replace the harness if it has visible damage. 3. Replace the LH side curtain air bag module. 4. Replace the diagnosis sensor unit (ACU).

JMHIA0044GB

<Front RH seat belt pre-tensioner 2>	
Flash pattern	Repair order
<p>a through d are repeated. d: Twelve flashes indicates malfunctioning front RH seat belt pre-tensioner 2 circuit.</p>	<ol style="list-style-type: none"> 1. Visually check the wiring harness connections. 2. Replace the harness if it has visible damage. 3. Replace the front RH seat belt pre-tensioner 2. 4. Replace the diagnosis sensor unit (ACU).

JMHIA0223GB

<Front LH seat belt pre-tensioner 2>	
Flash pattern	Repair order
<p>a through d are repeated. d: Thirteen flashes indicate malfunctioning front LH seat belt pre-tensioner 2 circuit.</p>	<ol style="list-style-type: none"> 1. Visually check the wiring harness connections. 2. Replace the harness if it has visible damage. 3. Replace the front LH seat belt pre-tensioner 2. 4. Replace the diagnosis sensor unit (ACU).

JMHIA0222GB

A

B

C

D

E

F

G

SRC

I

J

K

L

M

N

O

P

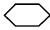
DIAGNOSIS SENSOR UNIT

< ECU DIAGNOSIS INFORMATION >

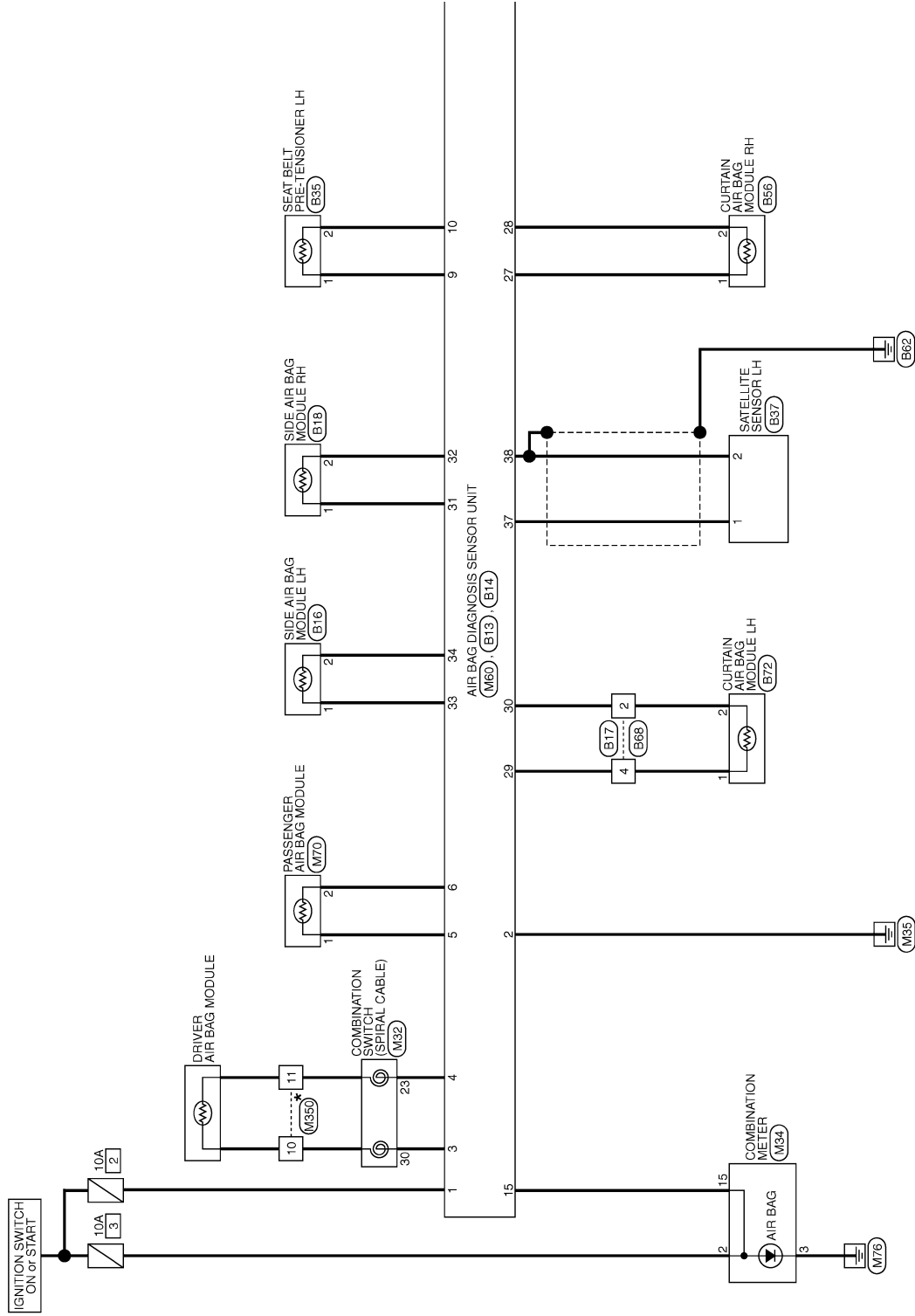
[FOR MEXICO]

Wiring Diagram — SRS AIR BAG CONTROL SYSTEM —

INFOID:000000008281694

For connector terminal arrangements, harness layouts, and alphabets in a  (option abbreviation; if not described in wiring diagram), refer to [GI-12, "Connector Information"](#).

SRS AIR BAG CONTROL SYSTEM (WITHOUT ADVANCED AIR BAG)



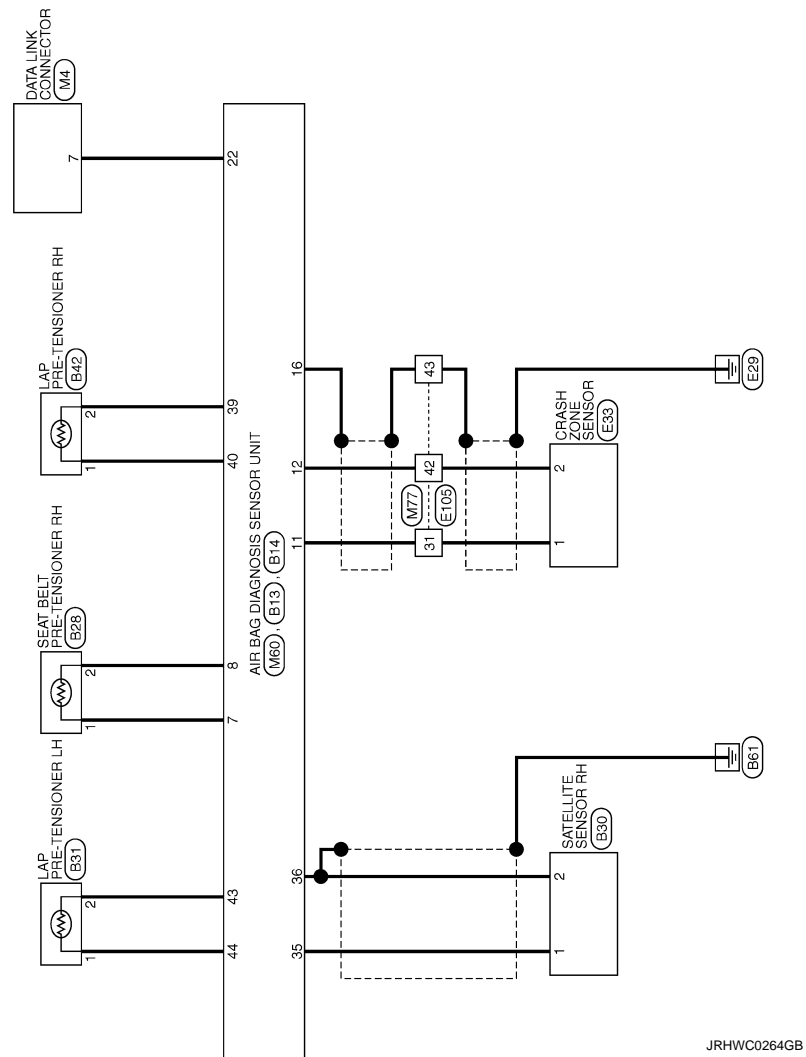
*: This connector is not shown in "Harness Layout".

JRHWC0263GB
2012/05/23

DIAGNOSIS SENSOR UNIT

< ECU DIAGNOSIS INFORMATION >

[FOR MEXICO]



JRHWC0264GB

A
B
C
D
E
F
G
SRC
I
J
K
L
M
N
O
P

SRS AIR BAG WARNING LAMP DOES NOT TURN OFF

< SYMPTOM DIAGNOSIS >

[FOR MEXICO]

SYMPTOM DIAGNOSIS

SRS AIR BAG WARNING LAMP DOES NOT TURN OFF

Diagnosis Procedure

INFOID:000000008281695

1. CHECK AIR BAG MODULE

Check the deployment of air bag module.

Is air bag module deployed?

YES >> Refer to [SR-30. "FOR FRONTAL COLLISION : When SRS is activated in a collision"](#) or [SR-32. "FOR SIDE AND ROLLOVER COLLISION : When SRS is activated in a collision"](#).

NO >> GO TO 2.

2. CHECK AIR BAG FUSE

Check the air bag fuse. Refer to [PG-98. "Fuse and Fusible Link Arrangement"](#).

Is 10A fuse [No.2, located in fuse block (J/B)] normal?

YES >> GO TO 4.

NO >> GO TO 3.

3. CHECK AIR BAG FUSE AGAIN

Replace air bag fuse and turn ignition switch ON.

Did the air bag fuse blow again?

YES >> Repair or replace main harness.

NO >> **INSPECTION END**

4. CHECK DIAGNOSIS SENSOR UNIT

Check the screen of CONSULT.

Is the inspection result normal?

YES >> GO TO 5.

NO >> Replace diagnosis sensor unit (ACU). Refer to [SR-49. "Removal and Installation"](#).

5. CHECK HARNESS CONNECTION

Check harness connection between air bag warning lamp and diagnosis sensor unit.

Is the inspection result normal?

YES >> Check the intermittent incident. Refer to [GI-46. "Intermittent Incident"](#).

NO >> Replace wiring harness connector.

SRS AIR BAG WARNING LAMP DOES NOT TURN ON

< SYMPTOM DIAGNOSIS >

[FOR MEXICO]

SRS AIR BAG WARNING LAMP DOES NOT TURN ON

Diagnosis Procedure

INFOID:000000008281696

"SRS AIR BAG" Warning Lamp Does Not Turn ON

1.CHECK METER FUSE

Check the meter fuse. Refer to [PG-98, "Fuse and Fusible Link Arrangement"](#).

Is 10A fuse [No.4, located in fuse block (J/B)] normal?

YES >> GO TO 3.

NO >> GO TO 2.

2.CHECK METER FUSE AGAIN

Replace 10A fuse [No.4, located in fuse block (J/B)] and turn ignition switch ON.

Did the meter fuse blow again?

YES >> Repair or replace the related harness.

NO >> **INSPECTION END**

3.CHECK HARNESS CONNECTION

1. Check harness connection between diagnosis sensor unit and combination meter.

2. Disconnect diagnosis sensor unit connector and turn ignition switch ON.

Did air bag warning lamp turn ON?

YES >> Replace diagnosis sensor unit (ACU). Refer to [SR-49, "Removal and Installation"](#).

NO >> Replace combination meter assembly. Refer to [MWI-69, "Removal and Installation"](#).

A
B
C
D
E
F
G
I
J
K
L
M
N
O
P

SRC

PRECAUTION**PRECAUTIONS****Precaution for Supplemental Restraint System (SRS) "AIR BAG" and "SEAT BELT PRE-TENSIONER"**

INFOID:000000008281697

The Supplemental Restraint System such as "AIR BAG" and "SEAT BELT PRE-TENSIONER", used along with a front seat belt, helps to reduce the risk or severity of injury to the driver and front passenger for certain types of collision. Information necessary to service the system safely is included in the "SRS AIR BAG" and "SEAT BELT" of this Service Manual.

WARNING:

Always observe the following items for preventing accidental activation.

- **To avoid rendering the SRS inoperative, which could increase the risk of personal injury or death in the event of a collision that would result in air bag inflation, all maintenance must be performed by an authorized NISSAN/INFINITI dealer.**
- **Improper maintenance, including incorrect removal and installation of the SRS, can lead to personal injury caused by unintentional activation of the system. For removal of Spiral Cable and Air Bag Module, see "SRS AIR BAG".**
- **Never use electrical test equipment on any circuit related to the SRS unless instructed to in this Service Manual. SRS wiring harnesses can be identified by yellow and/or orange harnesses or harness connectors.**

PRECAUTIONS WHEN USING POWER TOOLS (AIR OR ELECTRIC) AND HAMMERS**WARNING:**

Always observe the following items for preventing accidental activation.

- **When working near the Air Bag Diagnosis Sensor Unit or other Air Bag System sensors with the ignition ON or engine running, never use air or electric power tools or strike near the sensor(s) with a hammer. Heavy vibration could activate the sensor(s) and deploy the air bag(s), possibly causing serious injury.**
- **When using air or electric power tools or hammers, always switch the ignition OFF, disconnect the battery, and wait at least 3 minutes before performing any service.**

Service

INFOID:000000008281698

- Do not use electrical test equipment to check SRS circuits unless instructed to in this Service Manual.
- Before servicing the SRS, turn ignition switch OFF, disconnect both battery cables and wait at least 3 minutes.
For approximately 3 minutes after the cables are removed, it is still possible for the air bag and seat belt pretensioner to deploy. Therefore, do not work on any SRS connectors or wires until at least 3 minutes have elapsed.
- Diagnosis sensor unit must always be installed with their arrow marks "⇐" pointing towards the front of the vehicle for proper operation. Also check diagnosis sensor unit for cracks, deformities or rust before installation and replace as required.
- The spiral cable must be aligned in the neutral position since its rotations are limited. Do not turn steering wheel and column after removal of steering gear.
- Handle air bag module carefully. Always place driver and front passenger air bag modules with the pad side facing upward and seat mounted front side air bag module standing with the stud bolt side facing down.
- Conduct self-diagnosis to check entire SRS for proper functioning after replacing any components.
- After air bag inflates, the front instrument panel assembly should be replaced if damaged.
- Always replace instrument panel pad following front passenger air bag deployment.