

A
B
C

SECTION **VTL**

VENTILATION SYSTEM

CONTENTS

PRECAUTION	FRONT FOOT DUCT	F
2	FRONT FOOT DUCT : Removal and Installation....	10
PRECAUTIONS	FRONT FLOOR DUCT	G
2	FRONT FLOOR DUCT : Removal and Installation	10
Precaution for Supplemental Restraint System	- Front Floor Connecting Duct	10
(SRS) "AIR BAG" and "SEAT BELT PRE-TENSIONER"	FRONT FLOOR DUCT : Removal and Installation	11
Procedure without Cowl Top Cover	- Front Floor Duct	11
Precaution for Work	ADAPTOR DUCT	H
PREPARATION	ADAPTOR DUCT : Removal and Installation	11
4	REAR CENTER VENTILATOR DUCT	I
PREPARATION	REAR CENTER VENTILATOR DUCT : Removal	11
4	and Installation	11
Special Service Tool	Exploded View	12
Commercial Service Tool	DEFROSTER GRILLE	K
PERIODIC MAINTENANCE	DEFROSTER GRILLE : Removal and Installation....	12
5	CENTER VENTILATOR GRILLE	L
IN-CABIN MICROFILTER	CENTER VENTILATOR GRILLE : Removal and	13
5	Installation	13
Removal and Installation	SIDE VENTILATOR GRILLE	M
5	SIDE VENTILATOR GRILLE : Removal and In-	13
SYSTEM DESCRIPTION	stallation	13
6	REAR CENTER VENTILATOR GRILLE	N
VENTILATION SYSTEM	REAR CENTER VENTILATOR GRILLE : Removal	15
6	and Installation	15
System Description	BLOWER MOTOR	O
6	Blower Motor	16
REMOVAL AND INSTALLATION	Exploded View	16
8	Removal and Installation	16
DUCTS AND GRILLES	SERVICE DATA AND SPECIFICATIONS	P
8	(SDS)	17
Exploded View	SERVICE DATA AND SPECIFICATIONS	17
8	(SDS)	17
DEFROSTER NOZZLE	In-cabin Microfilter	17
8	DEFROSTER NOZZLE : Removal and Installation	17
.....		
SIDE DEFROSTER DUCT		
9		
SIDE DEFROSTER DUCT : Removal and Instal-		
lation		
9		
CENTER VENTILATOR DUCT		
9		
CENTER VENTILATOR DUCT : Removal and In-		
stallation		
9		



PRECAUTIONS

< PRECAUTION >

PRECAUTION

PRECAUTIONS

Precaution for Supplemental Restraint System (SRS) "AIR BAG" and "SEAT BELT PRE-TENSIONER"

INFOID:000000010177566

The Supplemental Restraint System such as "AIR BAG" and "SEAT BELT PRE-TENSIONER", used along with a front seat belt, helps to reduce the risk or severity of injury to the driver and front passenger for certain types of collision. Information necessary to service the system safely is included in the SR and SB section of this Service Manual.

WARNING:

- To avoid rendering the SRS inoperative, which could increase the risk of personal injury or death in the event of a collision which would result in air bag inflation, all maintenance must be performed by an authorized NISSAN/INFINITI dealer.
- Improper maintenance, including incorrect removal and installation of the SRS, can lead to personal injury caused by unintentional activation of the system. For removal of Spiral Cable and Air Bag Module, see the SR section.
- Do not use electrical test equipment on any circuit related to the SRS unless instructed to in this Service Manual. SRS wiring harnesses can be identified by yellow and/or orange harnesses or harness connectors.

PRECAUTIONS WHEN USING POWER TOOLS (AIR OR ELECTRIC) AND HAMMERS

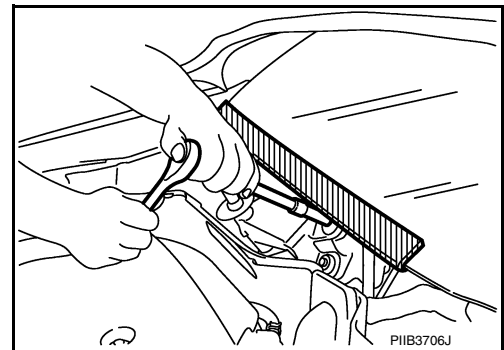
WARNING:

- When working near the Airbag Diagnosis Sensor Unit or other Airbag System sensors with the Ignition ON or engine running, DO NOT use air or electric power tools or strike near the sensor(s) with a hammer. Heavy vibration could activate the sensor(s) and deploy the air bag(s), possibly causing serious injury.
- When using air or electric power tools or hammers, always switch the Ignition OFF, disconnect the battery and wait at least three minutes before performing any service.

Procedure without Cowl Top Cover

INFOID:000000010177564

When performing the procedure after removing cowl top cover, cover the lower end of windshield with urethane, etc. to prevent damage to the windshield.



Precaution for Work

INFOID:000000010177565

- When removing or disassembling each component, be careful not to damage or deform it. If a component may be subject to interference, be sure to protect it with a shop cloth.
- When removing (disengaging) components with a screwdriver or similar tool, be sure to wrap the component with a shop cloth or vinyl tape to protect it.
- Protect the removed parts with a shop cloth and prevent them from being dropped.
- Replace a deformed or damaged clip.
- If a part is specified as a non-reusable part, always replace it with a new one.
- Be sure to tighten bolts and nuts securely to the specified torque.
- After installation is complete, be sure to check that each part works properly.
- Follow the steps below to clean components:
 - Water soluble dirt:
 - Dip a soft cloth into lukewarm water, wring the water out of the cloth and wipe the dirty area.
 - Then rub with a soft, dry cloth.
 - Oily dirt:

PRECAUTIONS

< PRECAUTION >

- Dip a soft cloth into lukewarm water with mild detergent (concentration: within 2 to 3%) and wipe the dirty area.
- Then dip a cloth into fresh water, wring the water out of the cloth and wipe the detergent off.
- Then rub with a soft, dry cloth.
- Do not use organic solvent such as thinner, benzene, alcohol or gasoline.
- For genuine leather seats, use a genuine leather seat cleaner.

A

B

C

D

E

F

G

H

VTL

J

K

L

M

N

O

P

PREPARATION

< PREPARATION >

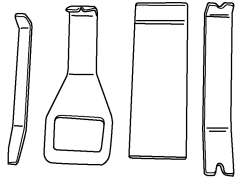
PREPARATION

PREPARATION

Special Service Tool


INFOID:000000010177526

The actual shapes of tools may differ from those illustrated here.

Tool number (TechMate No.) Tool name	Description
— (J-46534) Trim Tool Set  AWJIA0483ZZ	Removing trim components

Commercial Service Tool

INFOID:000000010177527

(TechMate No.) Tool name	Description
(—) Power Tool  PIIB1407E	Loosening nuts, screws and bolts

IN-CABIN MICROFILTER

< PERIODIC MAINTENANCE >

PERIODIC MAINTENANCE

IN-CABIN MICROFILTER

Removal and Installation

INFOID:000000010177528

REMOVAL

1. Release the tab and remove the in-cabin microfilter cover (1) from under the RH side of the instrument panel.

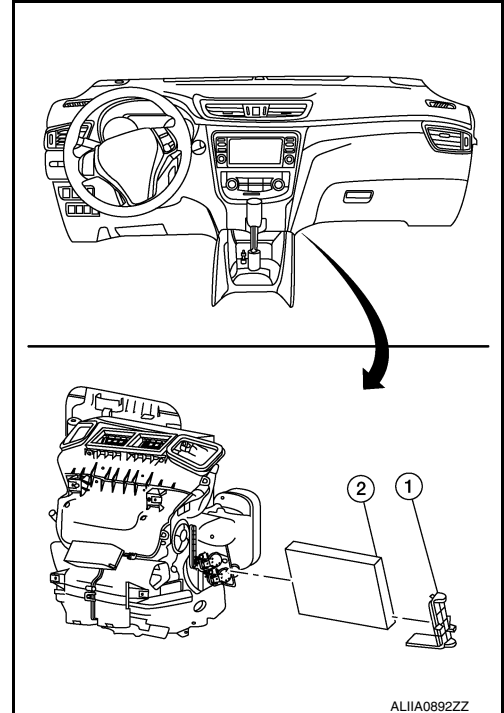
CAUTION:

Use care when lifting up on the tab to avoid damaging it.

2. Remove the in-cabin microfilter (2).

CAUTION:

If the filter is deformed/damaged when removing, replace it with a new one. A deformed or damaged filter may affect the dust collecting performance.



INSTALLATION

Installation is in the reverse order of removal.

CAUTION:

When installing, handle the filter with extreme care to avoid deforming or damaging the filter.

A
B
C
D
E
F
G
H
VTL
J
K
L
M
N
O
P

VENTILATION SYSTEM

< SYSTEM DESCRIPTION >

SYSTEM DESCRIPTION

VENTILATION SYSTEM

System Description

INFOID:000000010177529

OUTLINE

Automatic A/C

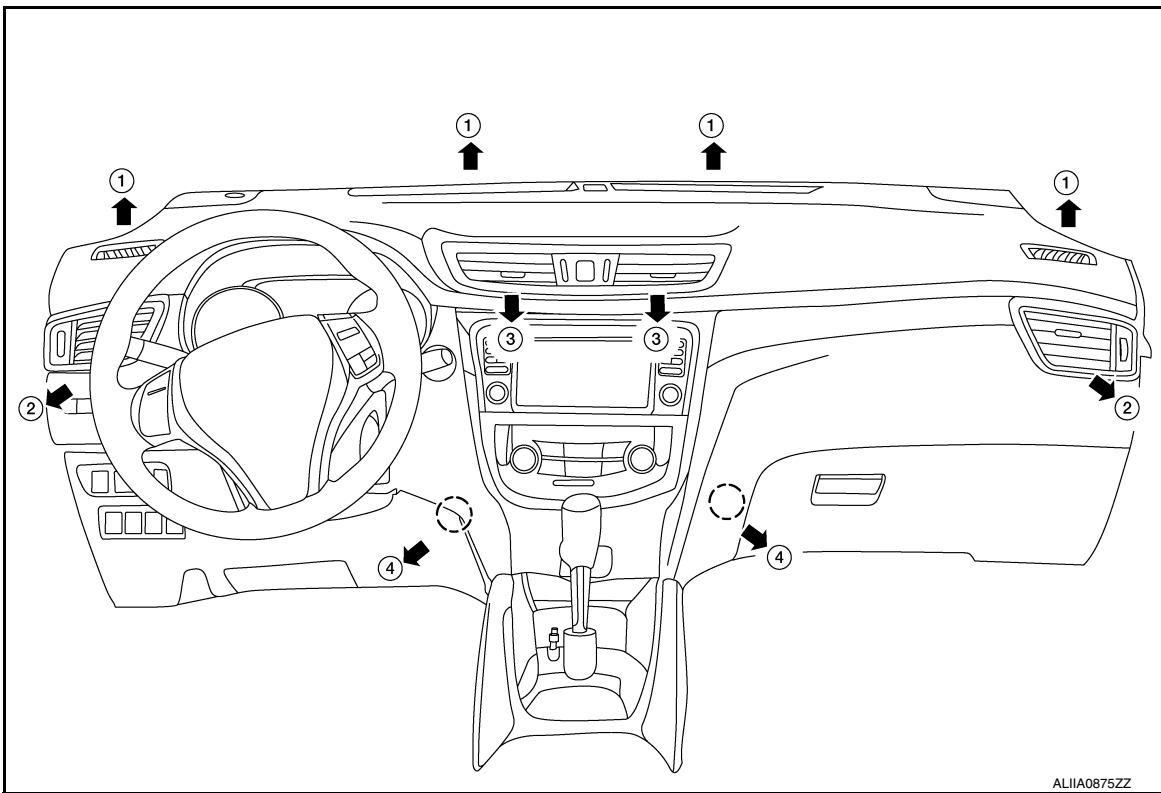
The ventilation system is controlled by the A/C switch assembly. For details of the automatic air conditioner system, refer to [HAC-10. "System Description"](#).

Manual A/C

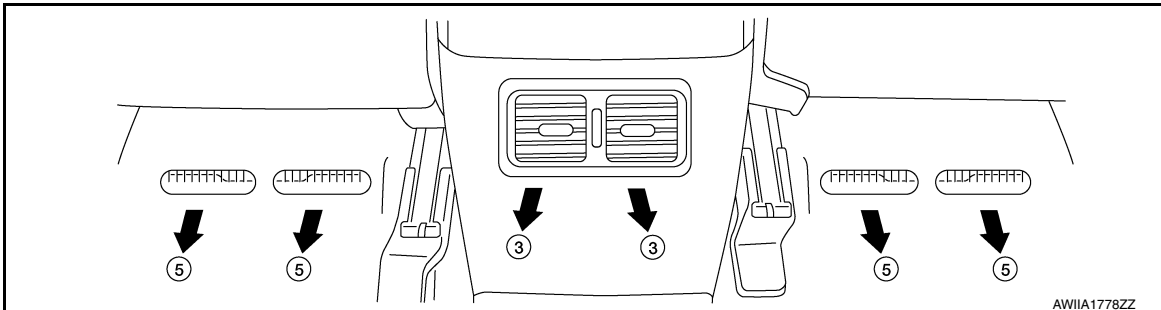
The ventilation system is controlled by the front air control. For details of the manual air conditioner system, refer to [HAC-118. "System Description"](#).

AIR FLOW

Front









Rear



VENTILATION SYSTEM

< SYSTEM DESCRIPTION >

Discharge air flow								
Mode position	Condition			Air outlet / distribution				
				DEF (1)	VENT		FOOT	
					Side (2)	Center (3)	Front (4)	Center (5)
	Upper Vent: ON	Temperature control switch	18°C (60°F)	—	×	×	—	—
			Other than 18°C (60°F) ^{*1}	—	×	×	—	—
	—			—	×	×	×	×
	—			—	—	—	×	×
	—			×	—	—	×	×
	—			×	—	—	—	—
	—			×	—	—	—	—

- *1: Air flow is also supplied to front foot until passenger room temperature stabilizes when temperature setting is other than 18°C (60°F). At that time, air flowing is the same as 18°C (60°F) setting.
- *2: During automatic defogging control.

A
B
C
D
E
F
G
H
J
K
L
M
N
O
P

VTL

DUCTS AND GRILLES

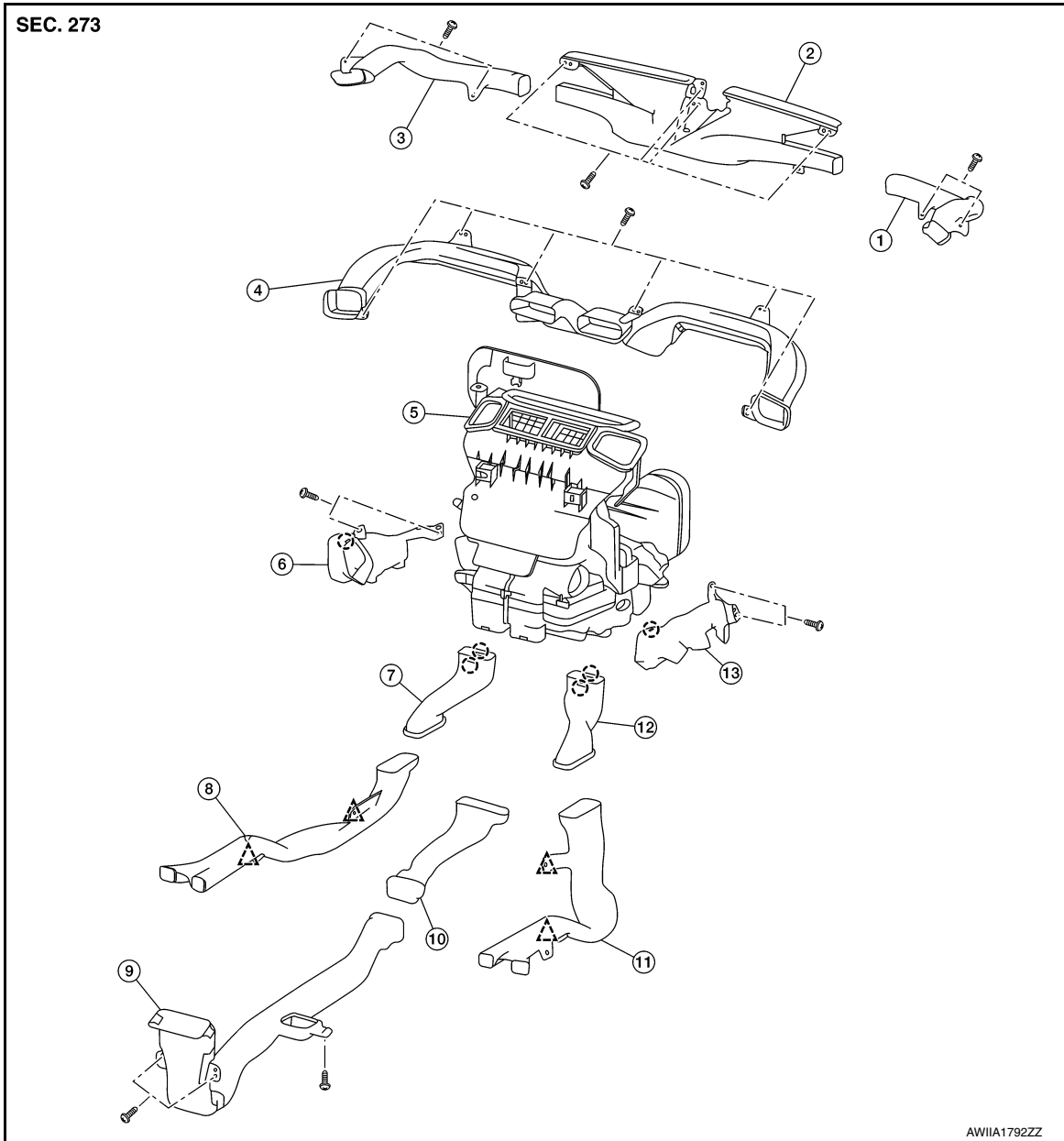
< REMOVAL AND INSTALLATION >

REMOVAL AND INSTALLATION

DUCTS AND GRILLES

Exploded View

INFOID:000000010177530



- | | | |
|-------------------------------------|--------------------------------------|--------------------------------------|
| 1. Side defroster duct (RH) | 2. Defroster nozzle | 3. Side defroster duct (LH) |
| 4. Center ventilator duct | 5. Heating and cooling unit assembly | 6. Front foot duct (LH) |
| 7. Front floor connecting duct (LH) | 8. Front floor duct (LH) | 9. Rear center ventilator duct |
| 10. Adaptor duct | 11. Front floor duct (RH) | 12. Front floor connecting duct (RH) |
| 13. Front foot duct (RH) | | |

DEFROSTER NOZZLE

DEFROSTER NOZZLE : Removal and Installation

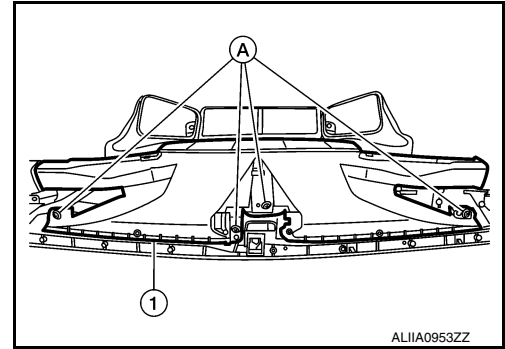
INFOID:000000010195879

REMOVAL

DUCTS AND GRILLES

< REMOVAL AND INSTALLATION >

1. Remove side defroster ducts (LH/RH). Refer to [VTL-9. "SIDE DEFROSTER DUCT : Removal and Installation"](#).
2. Remove screws (A) and defroster nozzle (1).



INSTALLATION

Installation is in the reverse order of removal.

SIDE DEFROSTER DUCT

SIDE DEFROSTER DUCT : Removal and Installation

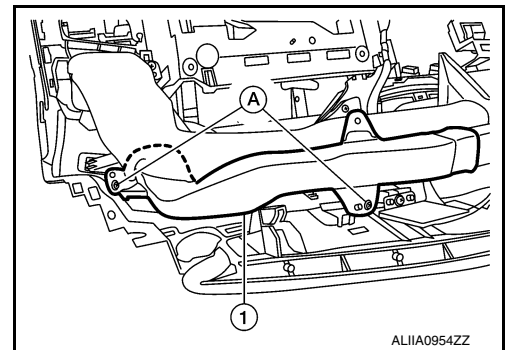
INFOID:000000010177532

REMOVAL

1. Remove the instrument panel assembly. Refer to [IP-14. "INSTRUMENT PANEL ASSEMBLY : Removal and Installation"](#).
2. Remove the screws (A) and the side defroster duct (1).

NOTE:

LH side shown; RH similar.



INSTALLATION

Installation is in the reverse order of removal.

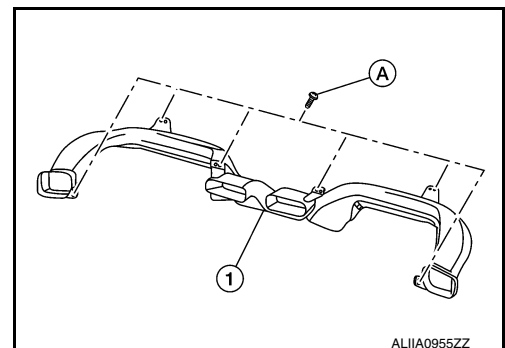
CENTER VENTILATOR DUCT

CENTER VENTILATOR DUCT : Removal and Installation

INFOID:000000010177531

REMOVAL

1. Remove instrument panel assembly. Refer to [IP-14. "INSTRUMENT PANEL ASSEMBLY : Removal and Installation"](#).
2. Remove screws (A) and center ventilator duct (1).



INSTALLATION

Installation is in the reverse order of removal.

A
B
C
D
E
F
G
H
VTL
J
K
L
M
N
O
P

DUCTS AND GRILLES

< REMOVAL AND INSTALLATION >

FRONT FOOT DUCT

FRONT FOOT DUCT : Removal and Installation

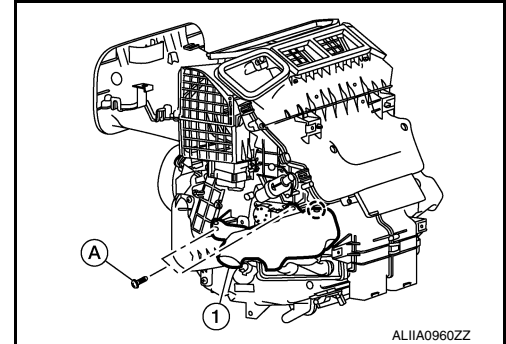
INFOID:000000010177533

REMOVAL

Front foot duct (LH)

1. Remove instrument lower panel LH. Refer to [IP-22. "Removal and Installation"](#).
2. Remove front foot duct (LH) screws (A).
3. Release the pawl and remove front foot duct (LH) (1).

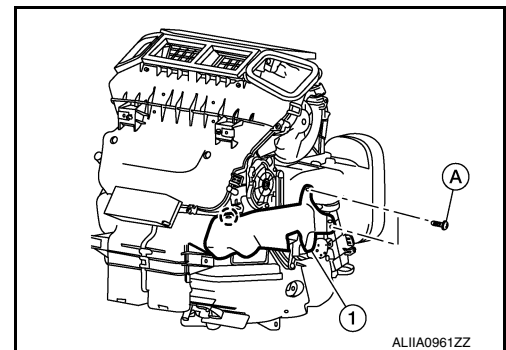
○: Pawl



Front foot duct (RH)

1. Remove glove box assembly. Refer to [IP-23. "Removal and Installation"](#).
2. Remove front foot duct (RH) screws (A).
3. Release the pawl and remove front foot duct (RH) (1).

○: Pawl



INSTALLATION

Installation is in the reverse order of removal.

FRONT FLOOR DUCT

FRONT FLOOR DUCT : Removal and Installation - Front Floor Connecting Duct

INFOID:000000010177534

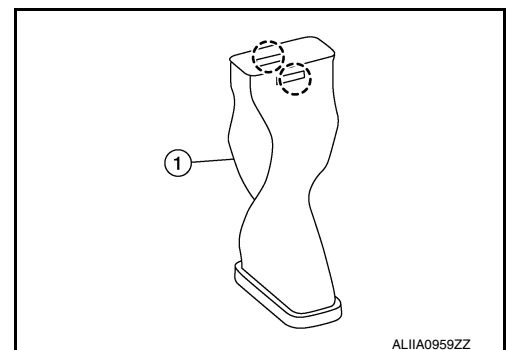
REMOVAL

1. Remove the center console side finisher. Refer to [IP-18. "Exploded View"](#).
2. Release the pawls and remove front floor connecting duct (1).

○: Pawl

NOTE:

LH side shown; RH similar.



INSTALLATION

Installation is in the reverse order of removal.

DUCTS AND GRILLES

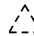
< REMOVAL AND INSTALLATION >

FRONT FLOOR DUCT : Removal and Installation - Front Floor Duct

INFOID:000000010177535

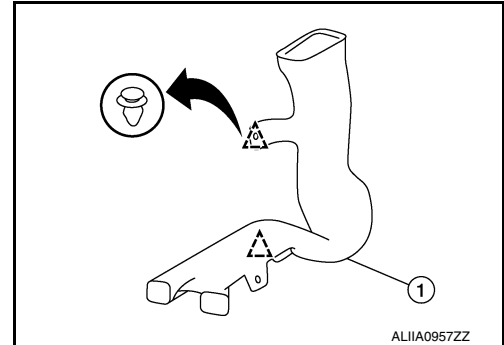
REMOVAL

1. Partially remove front floor trim.
2. Remove front floor duct screws.
3. Release clips using a suitable tool and remove front foot duct (1).

 Clip

NOTE:

RH side shown; LH similar.



INSTALLATION

Installation is in the reverse order of removal.

ADAPTOR DUCT

ADAPTOR DUCT : Removal and Installation

INFOID:000000010201300

REMOVAL

1. Remove inside key antenna (instrument center). Refer to [DLK-271, "INSTRUMENT CENTER : Removal and Installation"](#).
2. Remove shift selector finisher. Refer to [IP-18, "Exploded View"](#).
3. Remove the adaptor duct.

INSTALLATION

Installation is in the reverse order of removal.

REAR CENTER VENTILATOR DUCT

REAR CENTER VENTILATOR DUCT : Removal and Installation

INFOID:000000010197005

REMOVAL

1. Remove center console assembly. Refer to [IP-18, "Removal and Installation"](#).

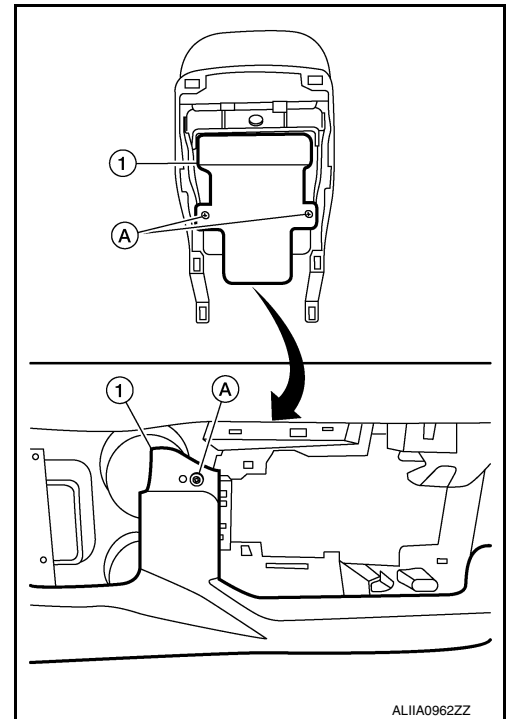
A
B
C
D
E
F
G
H
J
K
L
M
N
O
P

VTL

DUCTS AND GRILLES

< REMOVAL AND INSTALLATION >

2. Remove screws (A) and rear center ventilator duct (1).

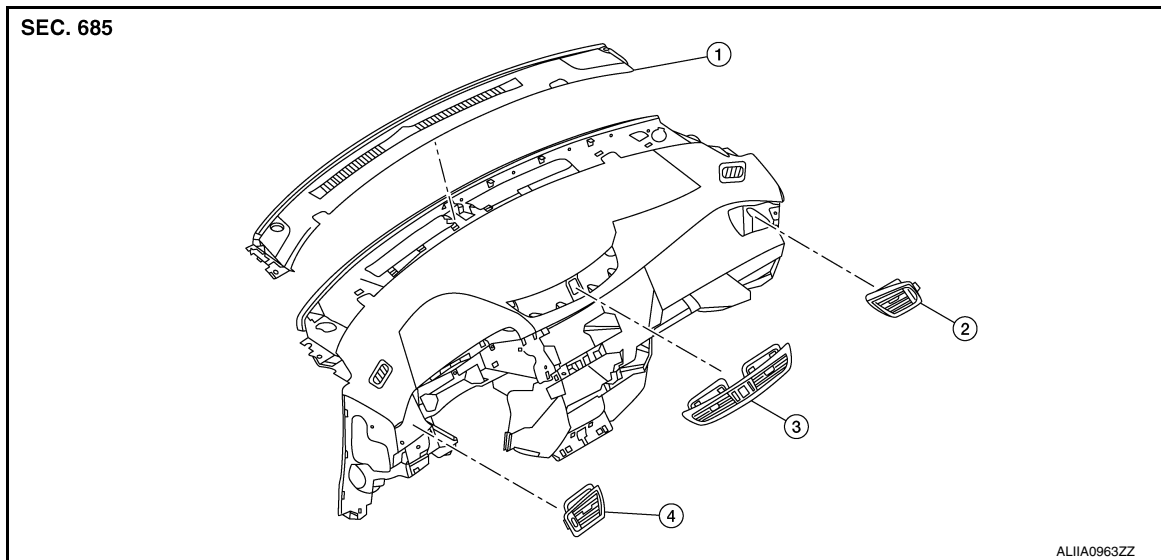


INSTALLATION

Installation is in the reverse order of removal.

Exploded View

INFOID:000000010177547



1. Defroster grille

2. Side ventilator grille (RH)

3. Center ventilator grille

4. Side ventilator grille (RH)

DEFROSTER GRILLE

DEFROSTER GRILLE : Removal and Installation

INFOID:000000010197015

REMOVAL

1. Remove front pillar finishers (LH/RH). Refer to [INT-20, "FRONT PILLAR FINISHER : Removal and Installation"](#).
2. Release defroster grille clips using a suitable tool.

DUCTS AND GRILLES

< REMOVAL AND INSTALLATION >

3. Disconnect the harness connectors and remove defroster grille.

INSTALLATION

Installation is in the reverse order of removal.

CENTER VENTILATOR GRILLE

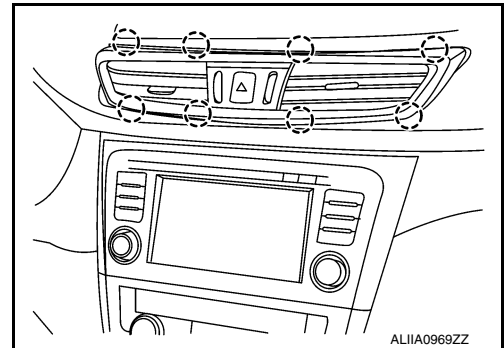
CENTER VENTILATOR GRILLE : Removal and Installation

INFOID:000000010177548

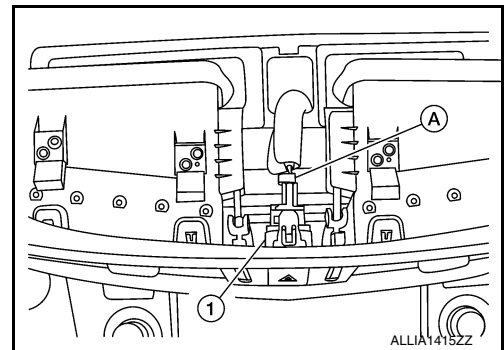
REMOVAL

1. Release the pawls using a suitable tool, disconnect the harness connector and remove center ventilator grille assembly from instrument panel.

○: Pawl

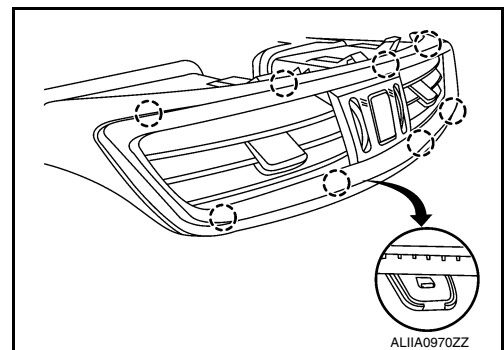


2. Disconnect the harness connector (A) from hazard switch (1).



3. Release the pawls to remove the center ventilator grilles (LH/RH).

○: Pawl



INSTALLATION

Installation is in the reverse order of removal.

SIDE VENTILATOR GRILLE

SIDE VENTILATOR GRILLE : Removal and Installation

INFOID:000000010177549

REMOVAL

Side ventilator grille (LH)

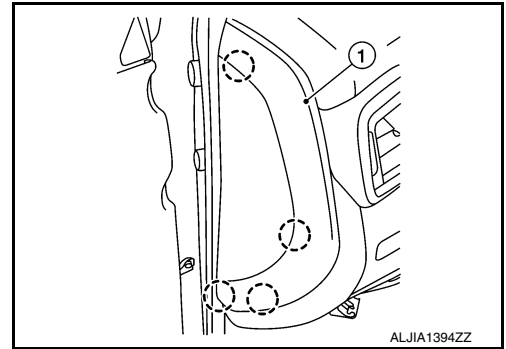
A
B
C
D
E
F
G
H
VTL
J
K
L
M
N
O
P

DUCTS AND GRILLES

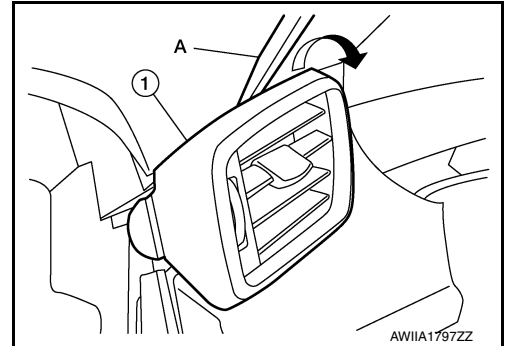
< REMOVAL AND INSTALLATION >

1. Release the pawls using a suitable tool and remove instrument side finisher (LH) (1).

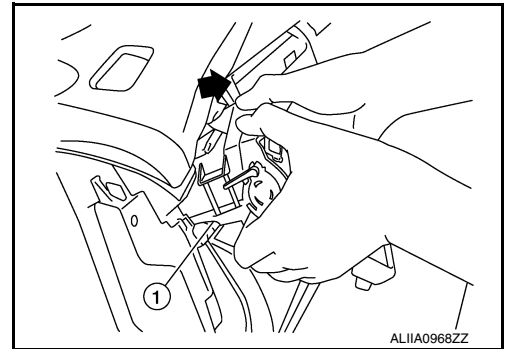
○: Pawl



2. Insert a suitable tool (A) at the top of the side ventilator grille (1) and release as shown.



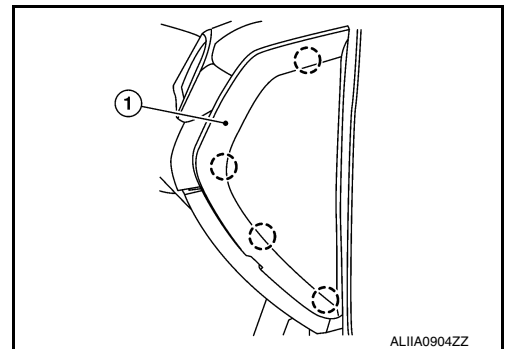
3. Remove side ventilator grille (1) in the direction shown (←).



Side ventilator grille (RH)

1. Release the pawls using a suitable tool and remove instrument side finisher (1).

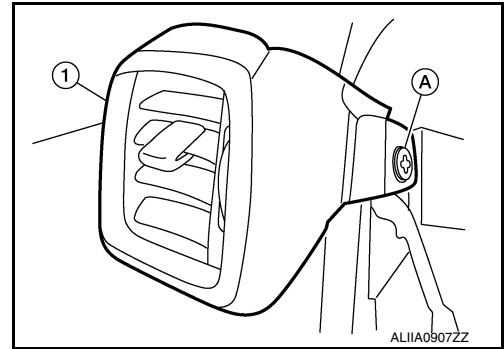
○: Pawl



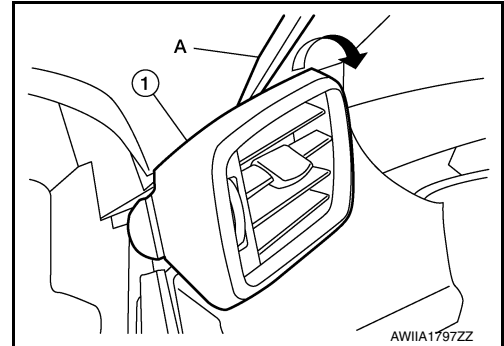
DUCTS AND GRILLES

< REMOVAL AND INSTALLATION >

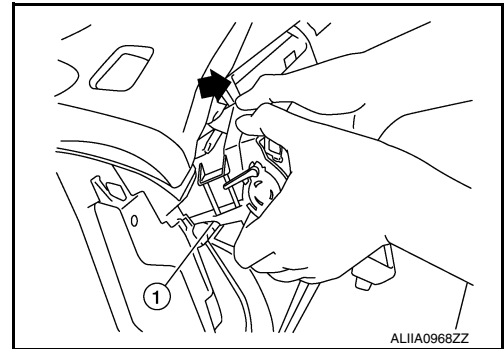
2. Remove side ventilator grille (RH) screw (A).



3. Insert a suitable tool (A) at the top of the side ventilator grille (1) and release as shown.



4. Remove side ventilator grille (1) in the direction shown (←).



INSTALLATION

Installation is in the reverse order of removal.

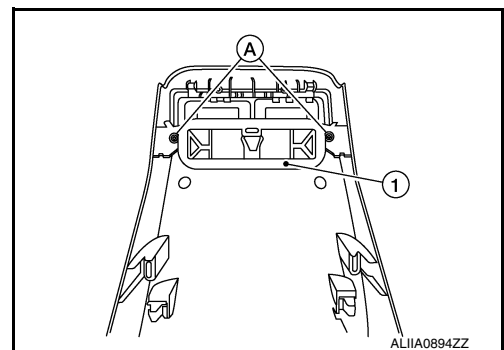
REAR CENTER VENTILATOR GRILLE

REAR CENTER VENTILATOR GRILLE : Removal and Installation

INFOID:000000010177552

REMOVAL

1. Remove center console rear finisher. Refer to [IP-18, "Exploded View"](#).
2. Remove screws (A) and rear center ventilator grille (1).



INSTALLATION

Installation is in the reverse order of removal.

A
B
C
D
E
F
G
H
VTL
J
K
L
M
N
O
P

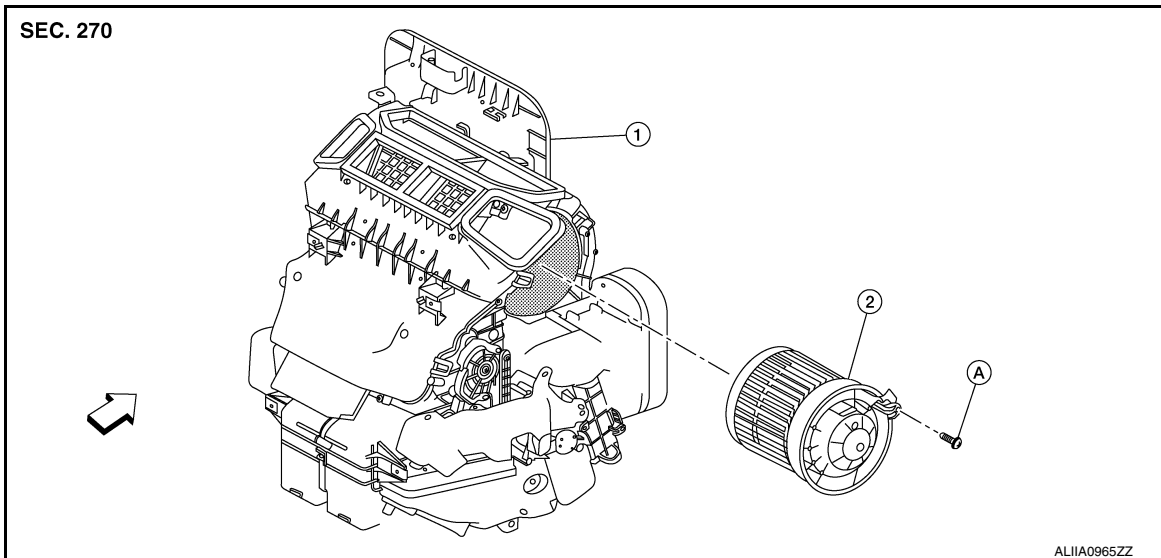
BLOWER MOTOR

< REMOVAL AND INSTALLATION >

BLOWER MOTOR

Exploded View

INFOID:000000010337008



1. Heating and cooling unit assembly 2. Blower motor

A. Screw

↔ Front

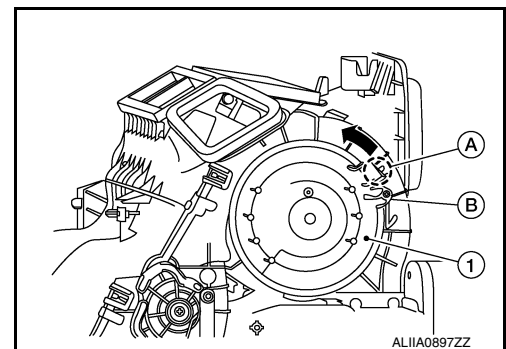
Removal and Installation

INFOID:000000010197303

REMOVAL

1. Remove glove box assembly. Refer to [IP-23, "Removal and Installation"](#).
2. Disconnect the harness connector from the blower motor.
3. Remove blower motor screw (B).
4. Release hook (A) then rotate the blower motor (1) counterclockwise and remove.

○: Hook



INSTALLATION

Installation is in the reverse order of removal.

SERVICE DATA AND SPECIFICATIONS (SDS)

< SERVICE DATA AND SPECIFICATIONS (SDS)

SERVICE DATA AND SPECIFICATIONS (SDS)

SERVICE DATA AND SPECIFICATIONS (SDS)

In-cabin Microfilter

INFOID:0000000010337009

Replacement interval	Refer to MA-7. "Introduction of Periodic Maintenance" .
----------------------	---

A
B
C
D
E
F
G
H
VTL
J
K
L
M
N
O
P