

SECTION **SRC**

SRS AIRBAG CONTROL SYSTEM

A
B
C
D
E
F
G
H
I
J
K
L
M
N
O
P

CONTENTS

<p>PRECAUTION 4</p> <p>PRECAUTIONS 4</p> <p style="padding-left: 20px;">Precaution for Supplemental Restraint System (SRS) "AIR BAG" and "SEAT BELT PRE-TENSIONER"4</p> <p style="padding-left: 20px;">Service4</p> <p style="padding-left: 20px;">Occupant Classification System Precaution4</p> <p>SYSTEM DESCRIPTION 5</p> <p>COMPONENT PARTS 5</p> <p style="padding-left: 20px;">Component Parts Location5</p> <p style="padding-left: 20px;">Driver Air Bag Module7</p> <p style="padding-left: 20px;">Front Passenger Air Bag Module7</p> <p style="padding-left: 20px;">Front Side Air Bag Module7</p> <p style="padding-left: 20px;">Side Curtain Air Bag Module7</p> <p style="padding-left: 20px;">Front Seat Belt Pre-tensioner8</p> <p style="padding-left: 20px;">Air Bag Diagnosis Sensor Unit8</p> <p style="padding-left: 20px;">Crash Zone Sensor8</p> <p style="padding-left: 20px;">Front Side Air Bag Satellite Sensor8</p> <p style="padding-left: 20px;">Rear Side Air Bag Satellite Sensor9</p> <p style="padding-left: 20px;">Front Door Satellite Sensor9</p> <p>SYSTEM 10</p> <p>SRS AIR BAG SYSTEM 10</p> <p style="padding-left: 20px;">SRS AIR BAG SYSTEM : System Description 10</p> <p>OCCUPANT CLASSIFICATION SYSTEM 10</p> <p style="padding-left: 20px;">OCCUPANT CLASSIFICATION SYSTEM : System Description 11</p> <p>SEAT BELT WARNING LAMP SYSTEM 12</p> <p style="padding-left: 20px;">SEAT BELT WARNING LAMP SYSTEM : System Description 12</p> <p>DIAGNOSIS SYSTEM (AIR BAG) 14</p> <p style="padding-left: 20px;">Description 14</p> <p style="padding-left: 20px;">On Board Diagnosis Function 14</p> <p style="padding-left: 20px;">Trouble Diagnosis with CONSULT 16</p> <p style="padding-left: 20px;">CONSULT Function (AIR BAG) 16</p>	<p>ECU DIAGNOSIS INFORMATION 17</p> <p>DIAGNOSIS SENSOR UNIT 17</p> <p style="padding-left: 20px;">DTC Index 17</p> <p style="padding-left: 20px;">Flash Code Index 21</p> <p>WIRING DIAGRAM 25</p> <p>SRS AIR BAG SYSTEM 25</p> <p style="padding-left: 20px;">Wiring Diagram 25</p> <p>BASIC INSPECTION 37</p> <p>DIAGNOSIS AND REPAIR WORK FLOW 37</p> <p style="padding-left: 20px;">Work Flow 37</p> <p>INSPECTION AND ADJUSTMENT 40</p> <p>ADDITIONAL SERVICE WHEN REPLACING CONTROL UNIT 40</p> <p style="padding-left: 20px;">ADDITIONAL SERVICE WHEN REPLACING CONTROL UNIT : Description 40</p> <p>ZERO POINT RESET 40</p> <p style="padding-left: 20px;">ZERO POINT RESET : Description 40</p> <p style="padding-left: 20px;">ZERO POINT RESET : Special Repair Requirement 40</p> <p>CONFIGURATION 41</p> <p style="padding-left: 20px;">CONFIGURATION : Description 41</p> <p style="padding-left: 20px;">CONFIGURATION : Work Procedure 41</p> <p>INTERMITTENT INCIDENT 43</p> <p style="padding-left: 20px;">Inspection Procedure 43</p> <p>DTC/CIRCUIT DIAGNOSIS 44</p> <p>U1000 CAN COMM CIRCUIT 44</p> <p style="padding-left: 20px;">Description 44</p> <p style="padding-left: 20px;">DTC Logic 44</p> <p style="padding-left: 20px;">Diagnosis Procedure 44</p> <p>U1010 CONTROL UNIT (CAN) 45</p>
---	---

SRC

Description	45	B0096 FRONT SIDE AIR BAG SATELLITE	
DTC Logic	45	SENSOR RH	76
Diagnosis Procedure	45	Description	76
B0001, B0002 DRIVER AIRBAG MODULE	46	DTC Logic	76
Description	46	Diagnosis Procedure	77
DTC Logic	46	B0097 REAR SIDE AIR BAG SATELLITE	
Diagnosis Procedure	47	SENSOR RH	79
B0010, B0011 PASSENGER AIRBAG MOD-		Description	79
ULE	49	DTC Logic	79
Description	49	Diagnosis Procedure	80
DTC Logic	49	B0098 FRONT DOOR SATELLITE SENSOR	
Diagnosis Procedure	50	RH	82
B0020 SIDE AIRBAG MODULE LH	52	Description	82
Description	52	DTC Logic	82
DTC Logic	52	Diagnosis Procedure	83
Diagnosis Procedure	53	B00A0 OCCUPANT CLASSIFICATION SYS-	
B0021 SIDE CURTAIN AIR BAG MODULE LH		TEM CONTROL UNIT	85
	55	Description	85
Description	55	DTC Description	85
DTC Logic	55	Diagnosis Procedure (B00A0-00, -02 or -09)	86
Diagnosis Procedure	56	Diagnosis Procedure (B00A0-04)	87
B0028 SIDE AIRBAG MODULE RH	58	Diagnosis Procedure (B00A0-83, -86, -87, -88 or -8F)	88
Description	58	Diagnosis Procedure (B00A0-93)	89
DTC Logic	58	B00D5 PASSENGER AIR BAG OFF INDICA-	
Diagnosis Procedure	59	TOR	91
B0029 SIDE CURTAIN AIR BAG MODULE		Description	91
RH	61	DTC Logic	91
Description	61	Diagnosis Procedure	91
DTC Logic	61	B1428 SEAT BELT BUCKLE SWITCH LH	93
Diagnosis Procedure	62	Description	93
B0091 FRONT SIDE AIR BAG SATELLITE		DTC Logic	93
SENSOR LH	64	Diagnosis Procedure	93
Description	64	B1429 SEAT BELT BUCKLE SWITCH RH	95
DTC Logic	64	Description	95
Diagnosis Procedure	65	DTC Logic	95
B0092 REAR SIDE AIR BAG SATELLITE		Diagnosis Procedure	95
SENSOR LH	67	B1430 SEAT BELT PRE-TENSIONER	97
Description	67	Description	97
DTC Logic	67	DTC Logic	97
Diagnosis Procedure	68	Diagnosis Procedure	97
B0093 FRONT DOOR SATELLITE SENSOR		B1431 SEAT BELT PRE-TENSIONER	100
LH	70	Description	100
Description	70	DTC Logic	100
DTC Logic	70	Diagnosis Procedure	100
Diagnosis Procedure	71	B1432 LAP PRE-TENSIONER	103
B0094 CRASH ZONE SENSOR	73	Description	103
Description	73	DTC Logic	103
DTC Logic	73	Diagnosis Procedure	103
Diagnosis Procedure	74	B1433 LAP PRE-TENSIONER	105
		Description	105

DTC Logic	105	SYMPTOM DIAGNOSIS	113	
Diagnosis Procedure	105			A
B142A IGNITION VOLTAGE	107	SRS AIR BAG WARNING LAMP DOES NOT		
Description	107	TURN ON	113	B
DTC Logic	107	AIR BAG Warning Lamp Does Not Turn On	113	
Diagnosis Procedure	107			B
B142X COLLISION DETECTION	109	SRS AIR BAG WARNING LAMP DOES NOT		
Description	109	TURN OFF	114	C
DTC Logic	109	AIR BAG Warning Lamp Does Not Turn Off	114	
Diagnosis Procedure	109			C
B14XX AIR BAG DIAGNOSIS SENSOR UNIT. 110		SEAT BELT WARNING SYSTEM	115	
Description	110	Seat Belt Warning System Does Not Function	115	D
DTC Logic	110			D
Diagnosis Procedure	110	A/B WARNING LAMP IS OFF, PASS A/B IN-		
		DCTR LAMP TURNS ON INTERMIT	116	E
		Description	116	
		Diagnosis Procedure	116	E
B1427 CONFIG SETTING	112	SEAT BELT INDCTR LAMP IS ON, PASS AIR		
DTC Description	112	BAG INDCTR IS ON OR OFF	117	F
Diagnosis Procedure	112	Description	117	
		Diagnosis Procedure	117	G

SRC

PRECAUTIONS

< PRECAUTION >

PRECAUTION

PRECAUTIONS

Precaution for Supplemental Restraint System (SRS) "AIR BAG" and "SEAT BELT PRE-TENSIONER"

INFOID:000000012424971

The Supplemental Restraint System such as "AIR BAG" and "SEAT BELT PRE-TENSIONER", used along with a front seat belt, helps to reduce the risk or severity of injury to the driver and front passenger for certain types of collision. Information necessary to service the system safely is included in the SR and SB section of this Service Manual.

WARNING:

- To avoid rendering the SRS inoperative, which could increase the risk of personal injury or death in the event of a collision which would result in air bag inflation, all maintenance must be performed by an authorized NISSAN/INFINITI dealer.
- Improper maintenance, including incorrect removal and installation of the SRS, can lead to personal injury caused by unintentional activation of the system. For removal of Spiral Cable and Air Bag Module, see the SR section.
- Do not use electrical test equipment on any circuit related to the SRS unless instructed to in this Service Manual. SRS wiring harnesses can be identified by yellow and/or orange harnesses or harness connectors.

PRECAUTIONS WHEN USING POWER TOOLS (AIR OR ELECTRIC) AND HAMMERS

WARNING:

- When working near the Airbag Diagnosis Sensor Unit or other Airbag System sensors with the Ignition ON or engine running, DO NOT use air or electric power tools or strike near the sensor(s) with a hammer. Heavy vibration could activate the sensor(s) and deploy the air bag(s), possibly causing serious injury.
- When using air or electric power tools or hammers, always switch the Ignition OFF, disconnect the battery and wait at least three minutes before performing any service.

Service

INFOID:000000012424972

- Do not use electrical test equipment to check SRS circuits unless instructed to in this Service Manual.
- Before servicing the SRS, turn ignition switch OFF, disconnect both battery cables and wait at least 3 minutes.
For approximately 3 minutes after the cables are removed, it is still possible for the air bag and seat belt pretensioner to deploy. Therefore, do not work on any SRS connectors or wires until at least 3 minutes have elapsed.
- Diagnosis sensor unit must always be installed with their arrow marks "←" pointing towards the front of the vehicle for proper operation. Also check diagnosis sensor unit for cracks, deformities or rust before installation and replace as required.
- The spiral cable must be aligned in the neutral position since its rotations are limited. Do not turn steering wheel and column after removal of steering gear.
- Handle air bag module carefully. Always place driver and front passenger air bag modules with the pad side facing upward and seat mounted front side air bag module standing with the stud bolt side facing down.
- Conduct self-diagnosis to check entire SRS for proper functioning after replacing any components.
- After air bag inflates, the front instrument panel assembly should be replaced if damaged.
- Always replace instrument panel pad following front passenger air bag deployment.

Occupant Classification System Precaution

INFOID:000000012424973

- Replace occupant classification system control unit and passenger front seat cushion as an assembly. Refer to [SE-32, "DRIVER SIDE : Removal and Installation"](#).

COMPONENT PARTS

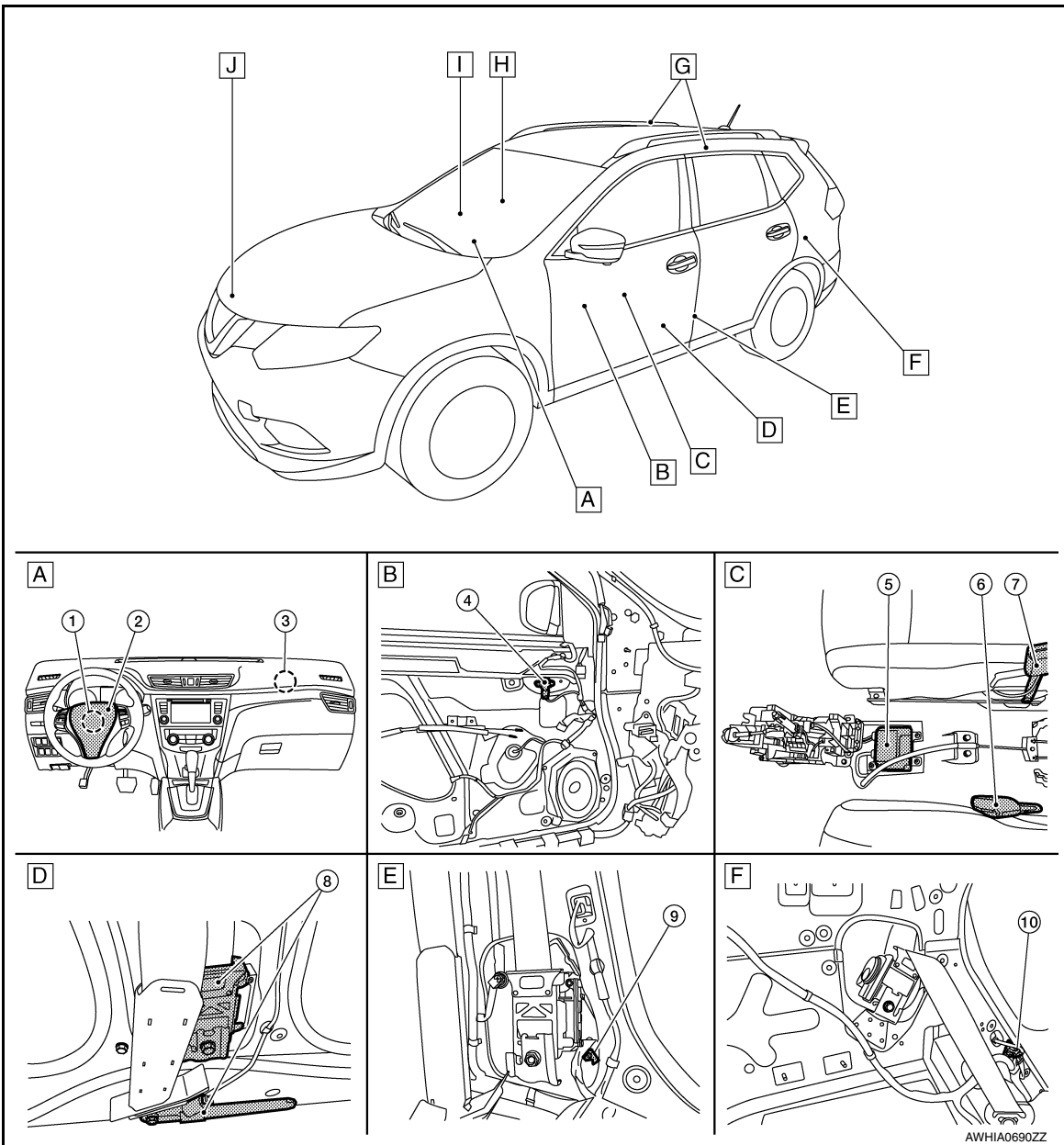
< SYSTEM DESCRIPTION >

SYSTEM DESCRIPTION

COMPONENT PARTS

Component Parts Location

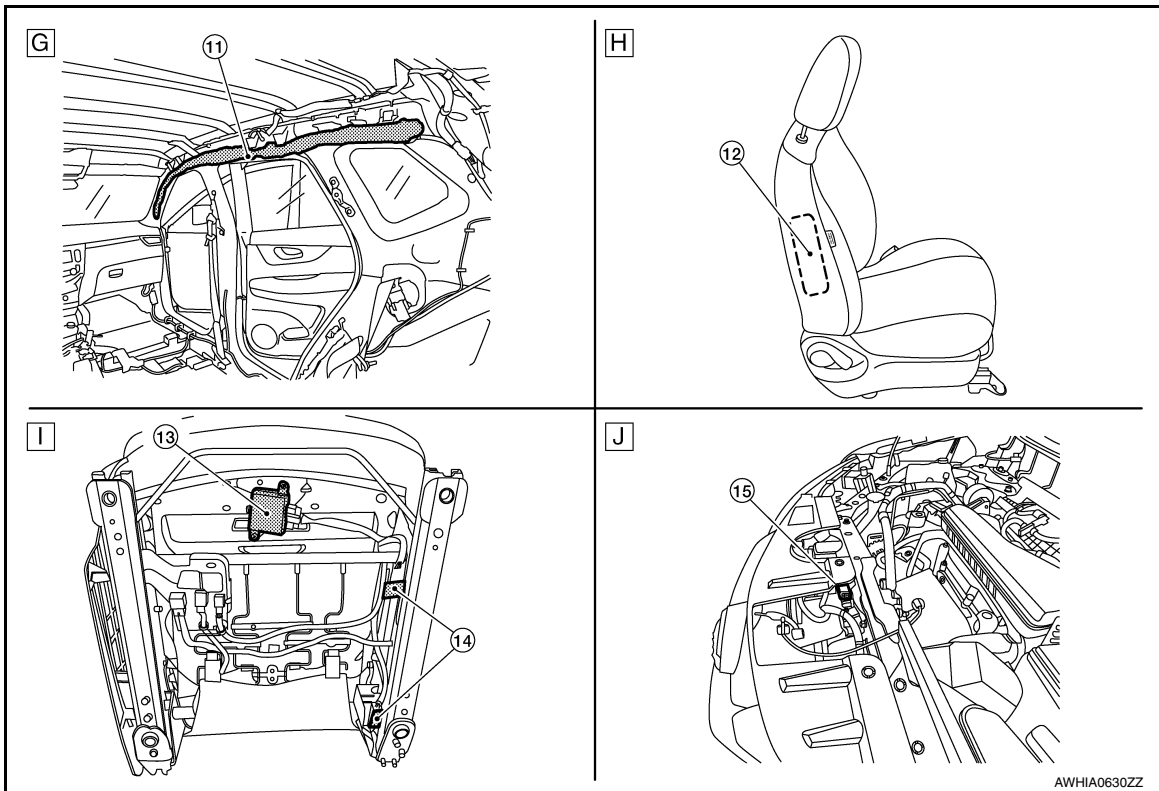
INFOID:0000000012424974



A
B
C
D
E
F
G
SRC
I
J
K
L
M
N
O
P

COMPONENT PARTS

< SYSTEM DESCRIPTION >



- | | | |
|--|--|---|
| A. Instrument panel | B. View with drivers door finisher removed | C. View with center console removed |
| D. View with the lower B-pillar trim removed | E. View with the lower B-pillar trim removed | F. View with LH rear lower luggage finisher removed |
| G. View with headlining removed | H. RH front passenger seat | I. Occupant classification system |
| J. Radiator core support assembly | | |

No.	Component	Function
1.	Spiral cable	The spiral cable provides a rotating physical connection to the driver air bag module.
2.	Drivers air bag module	Refer to SRC-7, "Driver Air Bag Module" .
3.	Front passenger air bag module	Refer to SRC-7, "Front Passenger Air Bag Module" .
4.	Front door satellite sensor	Refer to SRC-9, "Front Door Satellite Sensor" .
5.	Air bag diagnosis sensor unit	Refer to SRC-8, "Air Bag Diagnosis Sensor Unit" .
6.	Seat belt buckle switch (driver seat)	The seat belt buckle switch LH provides the seat belt buckle signals to the air bag diagnosis sensor unit and the combination meter.
7.	Seat belt buckle switch (passenger seat)	The seat belt buckle switch RH provides the seat belt buckle signals to the air bag diagnosis sensor unit and the combination meter.
8.	Front LH seat belt pre-tensioner (RH similar)	Refer to SRC-8, "Front Seat Belt Pre-tensioner" .
9.	Front side air bag satellite sensor	Refer to SRC-8, "Front Side Air Bag Satellite Sensor" .
10.	Rear side air bag satellite sensor LH (RH similar)	Refer to SRC-9, "Rear Side Air Bag Satellite Sensor" .
11.	Side curtain air bag module RH (LH similar)	Refer to SRC-7, "Side Curtain Air Bag Module" .
12.	Side air bag module RH (LH similar)	Refer to SRC-7, "Front Side Air Bag Module" .
13.	Occupant classification system control unit	Refer to SRC-11, "OCCUPANT CLASSIFICATION SYSTEM: System Description" .

COMPONENT PARTS

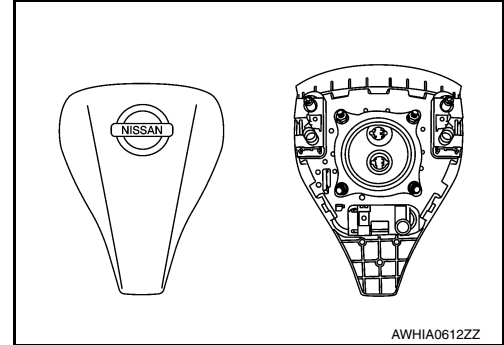
< SYSTEM DESCRIPTION >

No.	Component	Function
14.	Occupant classification system sensors	Refer to SRC-11, "OCCUPANT CLASSIFICATION SYSTEM : System Description" .
15.	Crash zone sensor	Refer to SRC-8, "Crash Zone Sensor" .

Driver Air Bag Module

INFOID:000000012424975

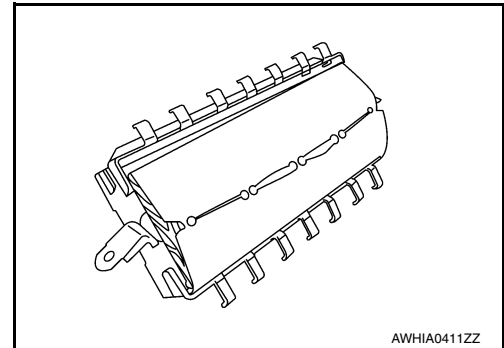
The driver air bag module is dual stage and located in the steering wheel assembly. It operates with the SRS system in a frontal collision exceeding a specified level.



Front Passenger Air Bag Module

INFOID:000000012424976

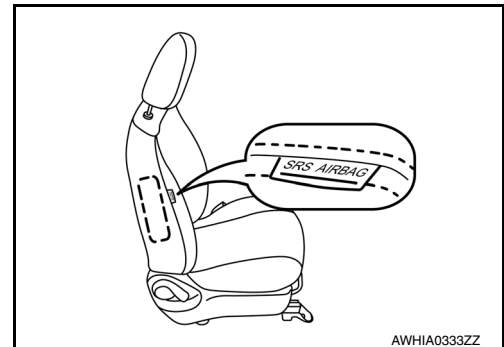
The front passenger air bag module is dual stage and is located behind the instrument panel assembly. It operates with the SRS system in a frontal collision exceeding a specified level. Refer to [SRC-10, "SRS AIR BAG SYSTEM : System Description"](#) for more information.



Front Side Air Bag Module

INFOID:000000012424977

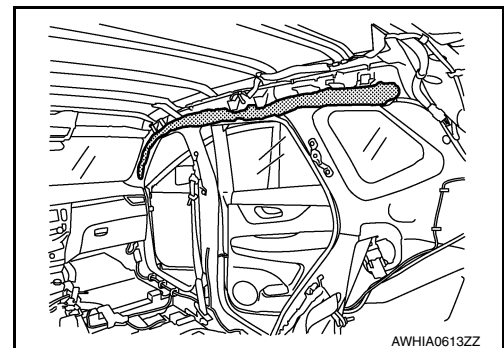
Front side air bag modules are built into the front seatback assemblies. Vehicles with side air bags are equipped with labels as shown.



Side Curtain Air Bag Module

INFOID:000000012424978

Side curtain air bag modules are located above the vehicle headlining. Vehicles with side curtain air bags are equipped with labels on the pillar upper finishers.



A
B
C
D
E
F
G
I
J
K
L
M
N
O
P

SRC

COMPONENT PARTS

< SYSTEM DESCRIPTION >

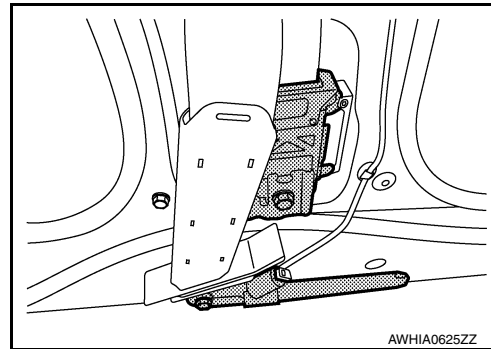
Front Seat Belt Pre-tensioner

INFOID:000000012424979

The seat belt pre-tensioner system with load limiter is installed for both the driver's seat and the front passenger's seat. It operates simultaneously with the SRS air bag system in the event of a frontal collision with an impact exceeding a specified level.

When the frontal collision with an impact exceeding a specified level occurs, seat belt slack resulting from clothing or other factors is immediately taken up by the shoulder belt pre-tensioner as well as the lap belt pre-tensioner. Vehicle passengers are securely restrained.

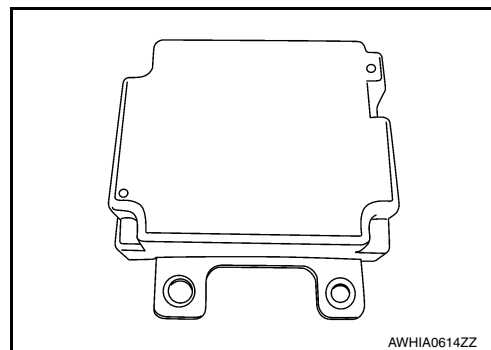
When passengers in a vehicle are thrown forward in a collision and the restraining force of the seat belt exceeds a specified level, the load limiter permits the specified extension of the seat belt by the twisting of the ELR shaft, and a relaxation of the chest-area seat belt web tension while maintaining force.



Air Bag Diagnosis Sensor Unit

INFOID:000000012424980

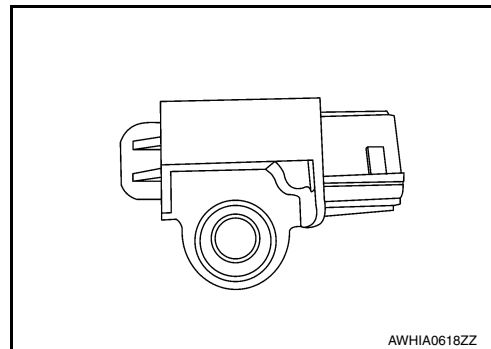
The air bag diagnosis sensor unit is located under the center console assembly. The air bag diagnosis sensor unit receives signals from multiple SRS sensors and controls the deployment of the air bags. The deployment of the air bags depends on the type and severity of the collision. The air bag diagnosis sensor unit has self-diagnosis capability through the use of the CONSULT as well as flash codes displayed by the air bag warning lamp.



Crash Zone Sensor

INFOID:000000012424981

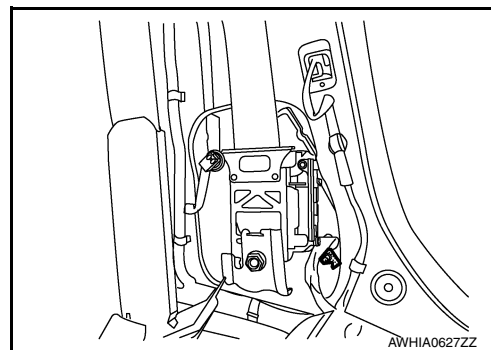
The crash zone sensor is located in front of the radiator. The crash zone sensor sends signals to the air bag diagnosis sensor unit during a frontal collision. This sensor may be identified by a yellow connector.



Front Side Air Bag Satellite Sensor

INFOID:000000012424982

The front side air bag satellite sensors are located on the front center pillar LH and RH next to the seat belt pretensioners. The front side air bag satellite sensors send signals to the air bag diagnosis sensor unit during a side collision. These sensors may be identified by yellow connectors.



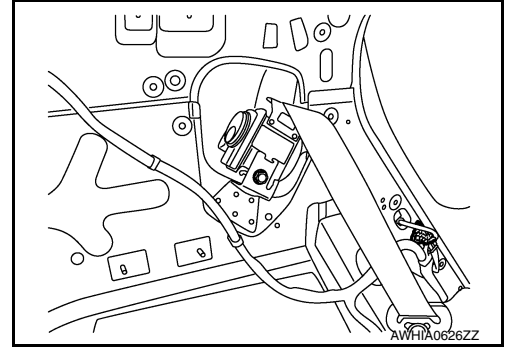
COMPONENT PARTS

< SYSTEM DESCRIPTION >

Rear Side Air Bag Satellite Sensor

INFOID:000000012424983

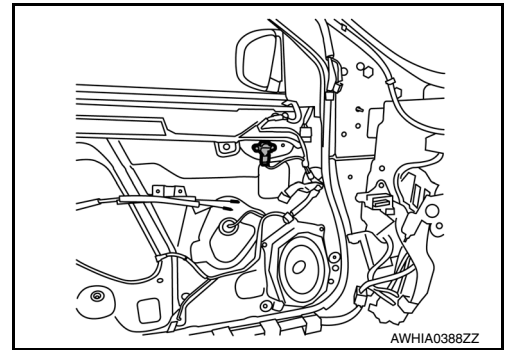
The rear side air bag satellite sensors are located behind the luggage side lower finisher LH and RH. The rear side air bag satellite sensors send signals to the air bag diagnosis sensor unit during a side collision. These sensors may be identified by yellow connectors.



Front Door Satellite Sensor

INFOID:000000012424984

The front door satellite sensors are located in the driver and passenger doors. The front door satellite sensors send signals to the air bag diagnosis sensor unit during a side collision. These sensors may be identified by yellow connectors.



A
B
C
D
E
F
G
I
J
K
L
M
N
O
P

SRC

SYSTEM

< SYSTEM DESCRIPTION >

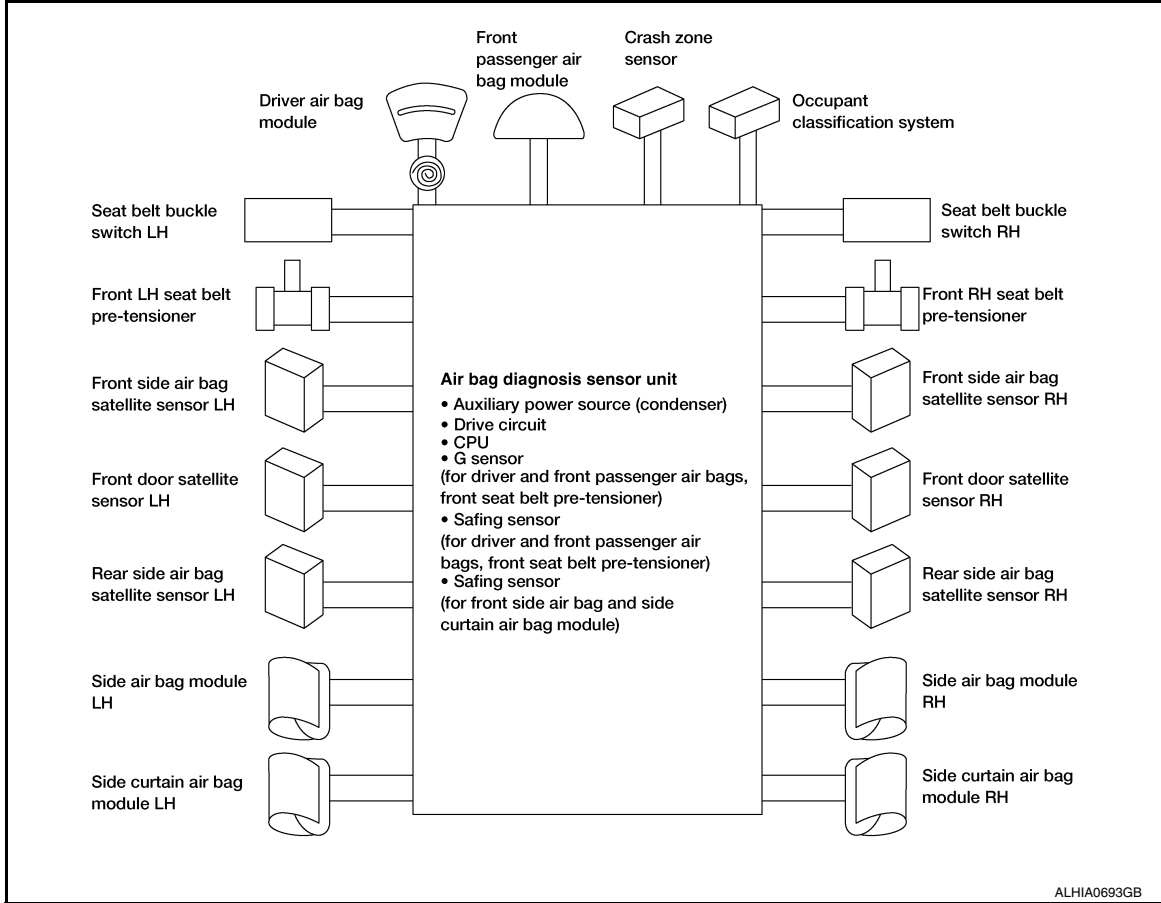
SYSTEM

SRS AIR BAG SYSTEM

SRS AIR BAG SYSTEM : System Description

INFOID:000000012424985

SYSTEM DIAGRAM



DESCRIPTION

- The air bag deploys if the air bag diagnosis sensor unit is activated while the ignition switch is in the ON or START position.
- The collision modes for which supplemental restraint systems are activated are different among the SRS systems. For example, the driver air bag module, front passenger air bag module and front seat belt pre-tensioners are activated in a frontal collision but not in a side collision.

SRS Collision Modes

SRS configuration	Frontal collision	Left side collision	Right side collision
Driver air bag module	x	—	—
Front passenger air bag module	x	—	—
Front LH seat belt pre-tensioner	x	—	—
Front RH seat belt pre-tensioner	x	—	—
Front LH side air bag module	—	x	—
Front RH side air bag module	—	—	x
LH side curtain air bag module	—	x	—
RH side curtain air bag module	—	—	x

OCCUPANT CLASSIFICATION SYSTEM

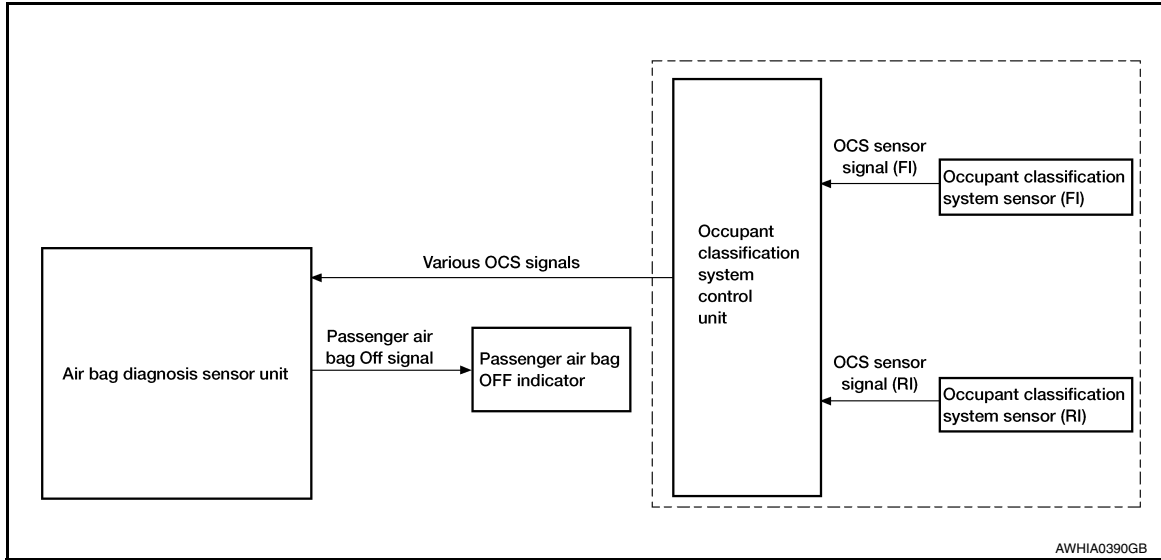
SYSTEM

< SYSTEM DESCRIPTION >

OCCUPANT CLASSIFICATION SYSTEM : System Description

INFOID:000000012424986

SYSTEM DIAGRAM



DESCRIPTION

The occupant classification system (OCS) identifies different size occupants, out of position occupants, and detects if child seat is present in the front passenger seat. The OCS control unit (2) receives inputs from the occupant classification sensors (1) (located on the passenger seat track assembly). Depending on classification of the passenger, the OCS sends a signal to the air bag diagnosis sensor unit. The air bag diagnosis sensor unit uses this signal and the seat belt buckle switch RH signal to determine deployment or non deployment of the passenger front air bag in the event of a collision. Depending on the signals received, the air bag diagnosis sensor unit can disable the passenger front air bag completely. The OCS (weight sensors) must be set to zero point using CONSULT after servicing the OCS system.

NOTE:

- CONSULT can be used to confirm when “zero point reset” for OCS is complete.
- Always perform zero point reset after the removal and installation of the seat or when disconnecting the OCS control unit harness connector even if zero point reset has been completed in the past.
- If zero point reset is incomplete, the passenger air bag will be disabled and the passenger air bag off indicator will be ON.
- In case of customer concern, CONSULT can be used to confirm the passenger air bag status (readiness).

Passenger Air Bag Status Conditions

Front Passenger Seat (Condition)	PASS AIR BAG OFF Indicator (Status)	Passenger Air Bag Status (Readiness)	CONSULT Display
Seat occupied	OFF	Active (enabled)	ON
Seat occupied ^{NOTE}	ON	Deactivated (disabled)	OFF
Seat empty	OFF	Deactivated (disabled)	OFF

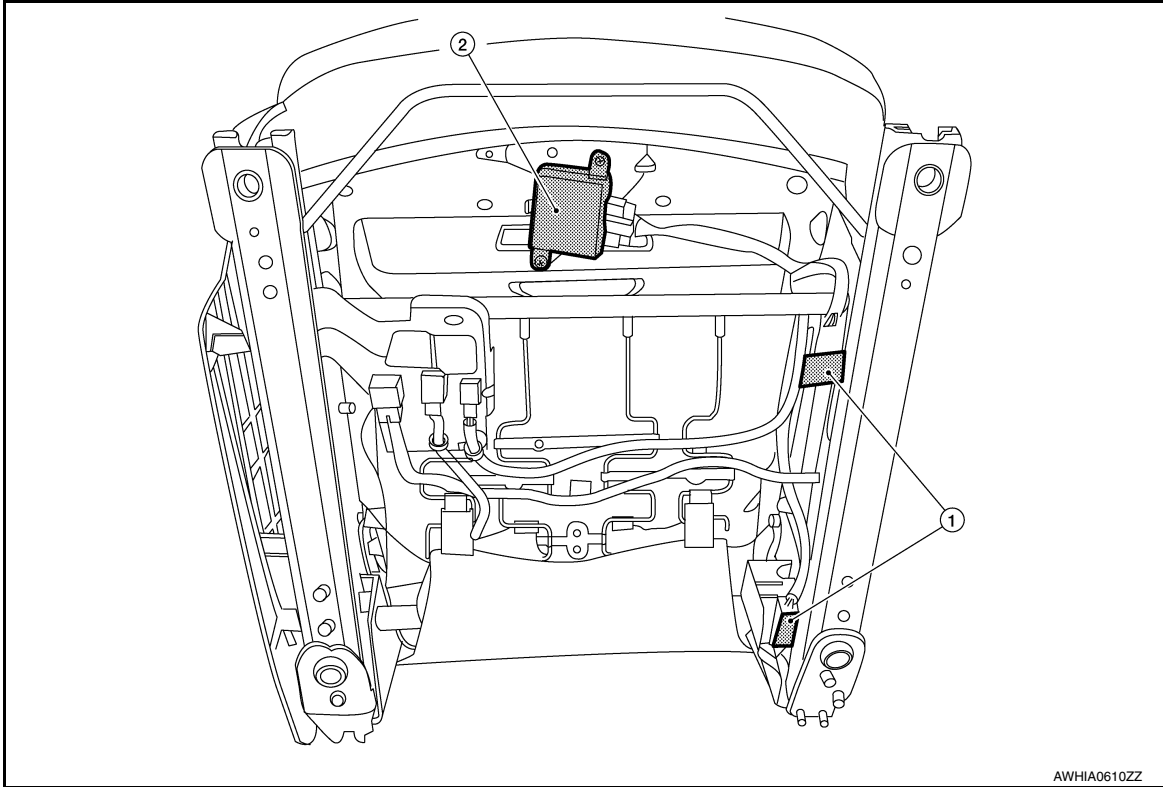
NOTE:

A
B
C
D
E
F
G
SRC
I
J
K
L
M
N
O
P

SYSTEM

< SYSTEM DESCRIPTION >

Passenger does not meet Occupant Classification System specifications for passenger air bag activation.

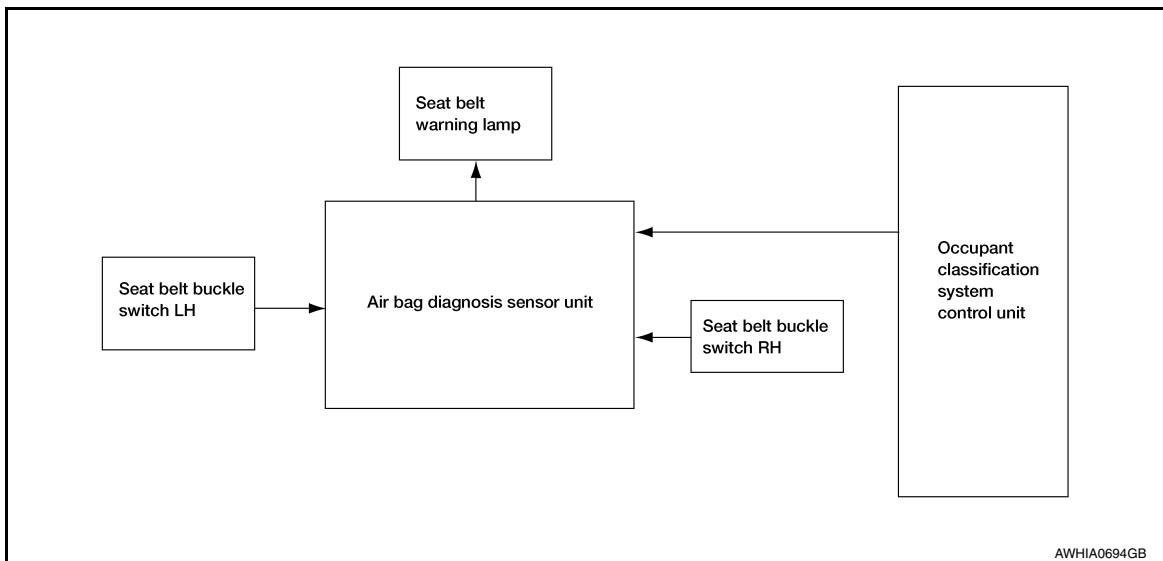


SEAT BELT WARNING LAMP SYSTEM

SEAT BELT WARNING LAMP SYSTEM : System Description

INFOID:000000012424987

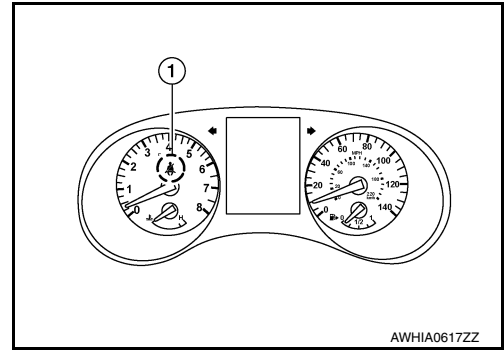
SYSTEM DIAGRAM



SYSTEM

< SYSTEM DESCRIPTION >

The seat belt warning lamp (1) will remind the driver if the driver or front passenger seat belt should be buckled. The system works in conjunction with the occupant classification system. Refer to [SRC-11, "OCCUPANT CLASSIFICATION SYSTEM : System Description"](#).



Seat Belt Warning System Operation

Driver seat status (Ignition switch ON)	Passenger seat status	Seat belt buckle switch LH status	Seat belt buckle switch RH status	Seat belt warning lamp
Seat occupied	Seat occupied	Buckled	Buckled	Off
			Unbuckled	On
	Seat unoccupied	Unbuckled	—	Off
—	On			

A
B
C
D
E
F
G
I
J
K
L
M
N
O
P

SRC

DIAGNOSIS SYSTEM (AIR BAG)

< SYSTEM DESCRIPTION >

DIAGNOSIS SYSTEM (AIR BAG)

Description

INFOID:000000012424988

CAUTION:

- **Never use electrical test equipment on any circuit related to the SRS unless instructed in this Service Manual. SRS wiring harnesses can be identified by yellow and/or orange harnesses or harness connectors.**
- **Never repair, splice or modify the SRS wiring harness. If the harness is damaged, replace it with a new one.**
- **Keep ground portion clean.**

DIAGNOSIS FUNCTION

- The SRS self diagnostic result can be read with air bag warning lamp and/or CONSULT.
- The user mode is exclusively prepared for the customer (driver). This mode warns the driver of a system malfunction through the operation of the air bag warning lamp.
- The diagnosis mode allows the technician to locate and inspect the malfunctioning part.
- The mode applications for the air bag warning lamp and CONSULT are as per the following items.

×: Application, —: Not application

Diagnosis tool	User mode	Diagnosis mode
Air bag warning lamp	×	×
CONSULT	—	×

On Board Diagnosis Function

INFOID:000000012424989

ON-BOARD DIAGNOSIS

There are two self diagnosis functions with air bag warning lamp per the following items:

- USER MODE
- DIAGNOSIS MODE

METHOD OF STARTING

- Diagnosis mode changes from user mode to diagnosis mode when changing operation is performed.
- In user mode, when SRS air bag warning lamp is not turning ON, changing to diagnosis mode by ignition switch operation is not possible.
- In diagnosis mode, when repair is complete and system is normal, the mode changes to user mode when ignition switch is turned from OFF to ON.

Procedure to Change Diagnosis Mode

1. Turn ignition switch from OFF to ON.
2. SRS air bag lamp turns ON for 7 seconds and turns OFF, then turn ignition switch OFF within 2 seconds after the lamp turns OFF.

NOTE:

When in Diagnosis Mode, the air bag warning lamp may illuminate for more than 7 seconds after the ignition switch is turned ON. If this is the case, the ignition switch must still be cycled OFF after 7 seconds.

3. After turning ignition switch OFF, wait for 3 seconds or more.
4. Repeat operation 1 to 3 for 2 times so that operation 1 to 3 is repeated for 3 times in total.
5. Turn ignition switch from OFF to ON. Diagnosis mode changes.

USER MODE

In USER MODE, air bag warning lamp on combination meter turns ON when a malfunction is detected and warns the customer (driver).

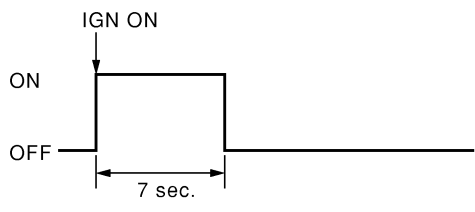
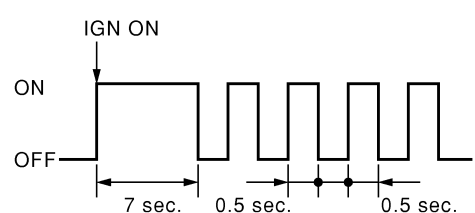
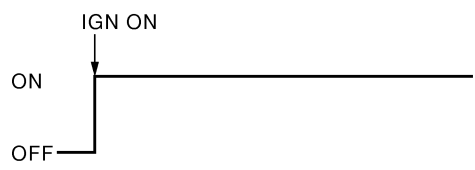
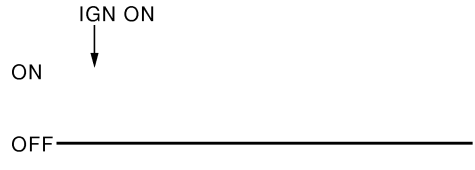
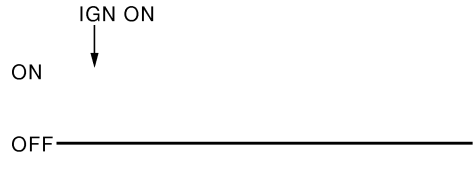
How to Read Air Bag Warning Lamp

1. Turn the ignition switch from OFF to ON, and check that the air bag warning lamp turns ON.
2. Compare the air bag warning lamp operation pattern with the examples.

Air Bag Warning Lamp Examples:

DIAGNOSIS SYSTEM (AIR BAG)

< SYSTEM DESCRIPTION >

Air bag warning lamp flashing pattern (User Mode)		
Warning lamp	SRS condition	Reference item
 <p>SHIA0011E</p>	<ul style="list-style-type: none"> No malfunction is detected. No further action is necessary. 	—
 <p>SHIA0012E</p>	The system is malfunctioning and needs to be repaired.	Refer to SRC-16, "Trouble Diagnosis with CONSULT" or SRC-14, "On Board Diagnosis Function" .
 <p>SHIA0013E</p>	<ul style="list-style-type: none"> Air bag is deployed. Seat belt pre-tensioner is deployed. 	Refer to Frontal collision: SR-5, "FOR FRONTAL COLLISION : When SRS is activated in a collision" , SR-6, "FOR FRONTAL COLLISION : When SRS is not activated in a collision" or Side and rollover collision: SR-7, "FOR SIDE AND ROLLOVER COLLISION : When SRS is activated in a collision" , SR-9, "FOR SIDE AND ROLLOVER COLLISION : When SRS is not activated in a collision" .
 <p>SHIA0014E</p>	<ul style="list-style-type: none"> Air bag diagnosis sensor unit is malfunctioning. Air bag power supply circuit is malfunctioning. SRS air bag warning lamp circuit is malfunctioning. 	Refer to SRC-114, "AIR BAG Warning Lamp Does Not Turn Off" .
 <p>SHIA0014E</p>	<ul style="list-style-type: none"> Air bag diagnosis sensor unit is malfunctioning. Air bag warning lamp circuit is malfunctioning. 	Refer to SRC-113, "AIR BAG Warning Lamp Does Not Turn On" .

DIAGNOSIS MODE

NOTE:

Diagnosis Mode can not be entered if a malfunction is not detected in User Mode.

- Turn ignition switch ON.
- After AIR BAG warning lamp lights for 7 seconds, turn ignition switch OFF within 1 second.

DIAGNOSIS SYSTEM (AIR BAG)

< SYSTEM DESCRIPTION >

3. Wait more than 3 seconds.
 4. Repeat steps 1 to 3 two more times (3 times total).
 5. Turn ignition switch ON.
- SRS is now in Diagnosis Mode. Refer to [SRC-21. "Flash Code Index"](#).

Trouble Diagnosis with CONSULT

INFOID:0000000012424990

1. Connect CONSULT.
2. DTC is displayed on "Self Diagnostic Result".

NOTE:

If a malfunction is not detected on "Self Diagnostic Result [CURRENT]", but a malfunction is detected during SRS Operation Check, the following cases may exist:

- "Self Diagnostic Result [PAST]" memory might not be erased. Refer to [SRC-14. "On Board Diagnosis Function"](#).
- SRS system malfunctions intermittently. Refer to [SRC-43. "Inspection Procedure"](#).

DIAGNOSIS MODE

1. Connect CONSULT.
2. Confirm that zero point reset of OCS is complete.
3. If no DTCs are detected on "Self Diagnostic Result [CURRENT]", repair of SRS is completed. Go to step 4.
If any DTCs are detected on "Self Diagnostic Result [CURRENT]", the malfunction has not been repaired completely or another malfunction is being detected. Perform SRS Operation Check again. Refer to [SRC-14. "On Board Diagnosis Function"](#).

4. Touch "ERASE".

NOTE:

Touching "ERASE" will clear the SRS memory of the malfunction ("Self Diagnostic Result [PAST]"). If "Self Diagnostic Result [PAST]" is not erased, User Mode may show the previous system malfunction even if the malfunction has been repaired completely.

5. Check that no malfunction is detected in "Self Diagnostic Result [PAST]".
6. Exit Diagnosis Mode and disconnect the CONSULT.
7. Perform SRS Operation Check. Refer to [SRC-14. "On Board Diagnosis Function"](#).

SRS HISTORY CHECK

1. Check repair history of the SRS. If no repairs have been made, perform [SRC-14. "On Board Diagnosis Function"](#). If repairs have been made, GO TO step 2.
2. Erase "Self Diagnostic Result [PAST]" after repair. Refer to [SRC-14. "On Board Diagnosis Function"](#).

CONSULT Function (AIR BAG)

INFOID:0000000012424991

CONSULT can display each diagnostic item using the diagnostic test modes shown following.

Diagnostic Test Mode	Diagnostic Item	Description
Self Diagnostic Result	SELF DIAGNOSTIC RESULT [CURRENT]	A current "Self Diagnostic Result" (also indicated by the number of warning lamp flashes in the Diagnosis mode) is displayed on the CONSULT screen in real time. This refers to a malfunctioning part requiring repairs.
Data Monitor	DATA MONITOR	Displays air bag diagnosis sensor unit input/output data in real time.
ECU Identification	ECU DISCRIMINATED NO.	Air bag diagnosis sensor unit ECU discriminated number (identification number) or part number is displayed. Air bag diagnosis sensor unit has individual ECU discriminated number (identification number) or part number based on model and equipment.
Trouble Diagnostic Record	TROUBLE DIAG RECORD [PAST]	With TROUBLE DIAG RECORD, "Self Diagnostic Result" previously erased by a reset operation can be displayed on the CONSULT screen.

DIAGNOSIS SENSOR UNIT

< ECU DIAGNOSIS INFORMATION >

ECU DIAGNOSIS INFORMATION

DIAGNOSIS SENSOR UNIT

DTC Index

INFOID:0000000012600583

DTC	Diagnostic item	Reference page
U1000-01	CAN COMM CIRCUIT	SRC-44. "Diagnosis Procedure"
U1010-49	CONTROL UNIT (CAN)	SRC-45. "Diagnosis Procedure"
B0001-00	DRIVER AIRBAG MODULE [SHORT]	SRC-47. "Diagnosis Procedure"
B0001-09	DRIVER AIRBAG MODULE [SHORT]	
B0001-11	DRIVER AIRBAG MODULE [GND-SHORT]	
B0001-12	DRIVER AIRBAG MODULE [VB-SHORT]	
B0001-13	DRIVER AIRBAG MODULE [OPEN]	
B0001-1A	DRIVER AIRBAG MODULE [SHORT]	
B0002-00	DRIVER AIRBAG MODULE 2 [SHORT]	SRC-47. "Diagnosis Procedure"
B0002-09	DRIVER AIRBAG MODULE 2 [SHORT]	
B0002-11	DRIVER AIRBAG MODULE 2 [GND-SHORT]	
B0002-12	DRIVER AIRBAG MODULE 2 [VB-SHORT]	
B0002-13	DRIVER AIRBAG MODULE 2 [OPEN]	
B0002-1A	DRIVER AIRBAG MODULE 2 [SHORT]	
B0010-09	ASSIST A/B MODULE [SHORT]	SRC-50. "Diagnosis Procedure"
B0010-11	ASSIST A/B MODULE [GND-SHORT]	
B0010-12	ASSIST A/B MODULE [VB-SHORT]	
B0010-13	ASSIST A/B MODULE [OPEN]	
B0010-1A	ASSIST A/B MODULE [SHORT]	
B0011-09	ASSIST A/B MODULE 2 [SHORT]	SRC-50. "Diagnosis Procedure"
B0011-11	ASSIST A/B MODULE 2 [GND-SHORT]	
B0011-12	ASSIST A/B MODULE 2 [VB-SHORT]	
B0011-13	ASSIST A/B MODULE 2 [OPEN]	
B0011-1A	ASSIST A/B MODULE 2 [SHORT]	
B0020-09	SIDE A/B MODULE LH [SHORT]	SRC-53. "Diagnosis Procedure"
B0020-11	SIDE A/B MODULE LH [GND-SHORT]	
B0020-12	SIDE A/B MODULE LH [VB-SHORT]	
B0020-13	SIDE A/B MODULE LH [OPEN]	
B0020-1A	SIDE A/B MODULE LH [SHORT]	SRC-56. "Diagnosis Procedure"
B0021-09	CURTAIN A/B MODULE LH [SHORT]	
B0021-11	CURTAIN A/B MODULE LH [GND-SHORT]	
B0021-12	CURTAIN A/B MODULE LH [VB-SHORT]	
B0021-13	CURTAIN A/B MODULE LH [OPEN]	
B0021-1A	CURTAIN A/B MODULE LH [SHORT]	

A

B

C

D

E

F

G

SRC

I

J

K

L

M

N

O

P

DIAGNOSIS SENSOR UNIT

< ECU DIAGNOSIS INFORMATION >

DTC	Diagnostic item	Reference page
B0028-09	SIDE A/B MODULE RH [SHORT]	SRC-59. "Diagnosis Procedure"
B0028-11	SIDE A/B MODULE RH [GND-SHORT]	
B0028-12	SIDE A/B MODULE RH [VB-SHORT]	
B0028-13	SIDE A/B MODULE RH [OPEN]	
B0028-1A	SIDE A/B MODULE RH [SHORT]	
B0029-09	CURTAIN A/B MODULE RH [SHORT]	SRC-62. "Diagnosis Procedure"
B0029-11	CURTAIN A/B MODULE RH [GND-SHORT]	
B0029-12	CURTAIN A/B MODULE RH [VB-SHORT]	
B0029-13	CURTAIN A/B MODULE RH [OPEN]	
B0029-1A	CURTAIN A/B MODULE RH [SHORT]	
B0091-11	B-PILLAR SAT SEN LH [GND-SHORT]	SRC-65. "Diagnosis Procedure"
B0091-23	B-PILLAR SAT SEN LH [LOWER LIMIT ERR]	
B0091-24	B-PILLAR SAT SEN LH [UPPER LIMIT ERR]	
B0091-25	B-PILLAR SAT SEN LH [SELF-DIAG ERR]	
B0091-28	B-PILLAR SAT SEN LH [OFFSET ERR]	
B0091-81	B-PILLAR SAT SEN LH [COMM ERR]	
B0091-86	B-PILLAR SAT SEN LH [UNMATCH]	
B0091-88	B-PILLAR SAT SEN LH [OPEN]	
B0091-93	B-PILLAR SAT SEN LH [RESET]	
B0092-11	C-PILLAR SAT SEN LH [GND-SHORT]	SRC-68. "Diagnosis Procedure"
B0092-23	C-PILLAR SAT SEN LH [LOWER LIMIT ERR]	
B0092-24	C-PILLAR SAT SEN LH [UPPER LIMIT ERR]	
B0092-25	C-PILLAR SAT SEN LH [SELF-DIAG ERR]	
B0092-28	C-PILLAR SAT SEN LH [OFFSET ERR]	
B0092-81	C-PILLAR SAT SEN LH [COMM ERR]	
B0092-86	C-PILLAR SAT SEN LH [UNMATCH]	
B0092-88	C-PILLAR SAT SEN LH [DISCONNECT]	
B0092-93	C-PILLAR SAT SEN LH [RESET]	
B0093-11	DOOR SATEL SEN LH [GND-SHORT]	SRC-71. "Diagnosis Procedure"
B0093-23	DOOR SATEL SEN LH [LOWER LIMIT ERR]	
B0093-24	DOOR SATEL SEN LH [UPPER LIMIT ERR]	
B0093-25	DOOR SATEL SEN LH [SELF-DIAG ERR]	
B0093-28	DOOR SATEL SEN LH [OFFSET ERR]	
B0093-81	DOOR SATEL SEN LH [COMM ERR]	
B0093-86	DOOR SATEL SEN LH [UNMATCH]	
B0093-88	DOOR SATEL SEN LH [DISCONNECT]	
B0093-93	DOOR SATEL SEN LH [RESET]	

DIAGNOSIS SENSOR UNIT

< ECU DIAGNOSIS INFORMATION >

DTC	Diagnostic item	Reference page	
B0094-11	CRASH ZONE SENS [GND-SHORT]	SRC-74, "Diagnosis Procedure"	A
B0094-23	CRASH ZONE SENS [LOWER LIMIT ERR]		
B0094-24	CRASH ZONE SENS [UPPER LIMIT ERR]		B
B0094-25	CRASH ZONE SENS [SELF-DIAG ERR]		
B0094-28	CRASH ZONE SENS [OFFSET ERR]		
B0094-81	CRASH ZONE SENS [COMM ERR]		C
B0094-86	CRASH ZONE SENS [UNMATCH]		
B0094-88	CRASH ZONE SENS [OPEN]		
B0094-93	CRASH ZONE SENS [RESET]		D
B0096-11	B-PILLAR SAT SEN RH [GND-SHORT]	SRC-77, "Diagnosis Procedure"	
B0096-23	B-PILLAR SAT SEN RH [LOWER LIMIT ERR]		E
B0096-24	B-PILLAR SAT SEN RH [UPPER LIMIT ERR]		
B0096-25	B-PILLAR SAT SEN RH [SELF-DIAG ERR]		F
B0096-28	B-PILLAR SAT SEN RH [OFFSET ERR]		
B0096-81	B-PILLAR SAT SEN RH [COMM ERR]		
B0096-86	B-PILLAR SAT SEN RH [UNMATCH]		G
B0096-88	B-PILLAR SAT SEN RH [OPEN]		
B0096-93	B-PILLAR SAT SEN RH [RESET]		
B0097-11	C-PILLAR SAT SEN RH [GND-SHORT]	SRC-80, "Diagnosis Procedure"	SRC
B0097-23	C-PILLAR SAT SEN RH [LOWER LIMIT ERR]		
B0097-24	C-PILLAR SAT SEN RH [UPPER LIMIT ERR]		I
B0097-25	C-PILLAR SAT SEN RH [SELF-DIAG ERR]		
B0097-28	C-PILLAR SAT SEN RH [OFFSET ERR]		J
B0097-81	C-PILLAR SAT SEN RH [COMM ERR]		
B0097-86	C-PILLAR SAT SEN RH [UNMATCH]		
B0097-88	C-PILLAR SAT SEN RH [OPEN]		K
B0097-93	C-PILLAR SAT SEN RH [RESET]		
B0098-11	DOOR SATEL SENS RH [GND-SHORT]	SRC-86, "Diagnosis Procedure (B00A0-00, -02 or -09)"	
B0098-23	DOOR SATEL SENS RH [LOWER LIMIT ERR]		L
B0098-24	DOOR SATEL SENS RH [UPPER LIMIT ERR]		
B0098-25	DOOR SATEL SENS RH [SELF-DIAG ERR]		M
B0098-28	DOOR SATEL SENS RH [OFFSET ERR]		
B0098-81	DOOR SATEL SENS RH [COMM ERR]		
B0098-86	DOOR SATEL SENS RH [UNMATCH]		N
B0098-88	DOOR SATEL SENS RH [OPEN]		
B0098-93	DOOR SATEL SENS RH [RESET]		O
			P

DIAGNOSIS SENSOR UNIT

< ECU DIAGNOSIS INFORMATION >

DTC	Diagnostic item	Reference page
B00A0-00	OCCUPANT SENS [ABNORMAL VOLTAGE]	SRC-86, "Diagnosis Procedure (B00A0-00, -02 or -09)", SRC-87, "Diagnosis Procedure (B00A0-04)", SRC-88, "Diagnosis Procedure (B00A0-83, -86, -87, -88 or -8F)", SRC-89, "Diagnosis Procedure (B00A0-93)"
B00A0-02	OCCUPANT SENS [UNIT MALFUNC]	
B00A0-09	OCCUPANT SENS [UNIT MALFUNC]	
B00A0-04	OCCUPANT SENS C/U [UNIT MALFUNC]	
B00A0-83	OCCUPANT SENS C/U [COMM ERR]	
B00A0-86	OCCUPANT SENS C/U [COMM ERR]	
B00A0-87	OCCUPANT SENS C/U [COMM ERR]	
B00A0-88	OCCUPANT SENS C/U [COMM ERR]	
B00A0-8F	OCCUPANT SENS C/U [UNDEFINED]	
B00A0-93	OCCUPANT SENS C/U [RESET]	
B00D5-04	PASS A/B INDCTR CKT [UNIT MALFUNC]	SRC-91, "Diagnosis Procedure"
B00D5-11	PASS A/B INDCTR CKT [GND-SHORT]	
B00D5-12	PASS A/B INDCTR CKT [VB-SHORT]	
B00D5-13	PASS A/B INDCTR CKT [OPEN]	
B00D5-15	PASS A/B INDCTR CKT [PWR-SHORT/OPEN]	
B1428-13	BUCKLE SW LH CIRCUIT [OPEN]	SRC-93, "Diagnosis Procedure"
B1428-12	BUCKLE SW LH CIRCUIT [VB-SHORT]	
B1428-11	BUCKLE SW LH CIRCUIT [GND-SHORT]	
B1428-00	BUCKLE SW LH CIRCUIT [UNDEFINED]	
B1429-13	BUCKLE SW LH CIRCUIT [OPEN]	SRC-95, "Diagnosis Procedure"
B1429-12	BUCKLE SW LH CIRCUIT [VB-SHORT]	
B1429-11	BUCKLE SW LH CIRCUIT [GND-SHORT]	
B1429-00	BUCKLE SW LH CIRCUIT [UNDEFINED]	
B1430-09	PRE-TEN FRONT LH [SHORT]	SRC-97, "Diagnosis Procedure"
B1430-11	PRE-TEN FRONT LH [GND-SHORT]	
B1430-12	PRE-TEN FRONT LH [VB-SHORT]	
B1430-13	PRE-TEN FRONT LH [OPEN]	
B1430-1A	PRE-TEN FRONT LH [SHORT]	
B1431-09	PRE-TEN FRONT RH [SHORT]	SRC-100, "Diagnosis Procedure"
B1431-11	PRE-TEN FRONT RH [GND-SHORT]	
B1431-12	PRE-TEN FRONT RH [VB-SHORT]	
B1431-13	PRE-TEN FRONT RH [OPEN]	
B1431-1A	PRE-TEN FRONT RH [SHORT]	
B1432-09	PRE-TEN FRONT LH 2 [SHORT]	SRC-103, "Diagnosis Procedure"
B1432-11	PRE-TEN FRONT LH 2 [GND-SHORT]	
B1432-12	PRE-TEN FRONT LH 2 [VB-SHORT]	
B1432-13	PRE-TEN FRONT LH 2 [OPEN]	
B1432-1A	PRE-TEN FRONT LH 2 [SHORT]	
B1433-09	PRE-TEN FRONT RH 2 [SHORT]	SRC-105, "Diagnosis Procedure"
B1433-11	PRE-TEN FRONT RH 2 [GND-SHORT]	
B1433-12	PRE-TEN FRONT RH 2 [VB-SHORT]	
B1433-13	PRE-TEN FRONT RH 2 [OPEN]	
B1433-1A	PRE-TEN FRONT RH 2 [SHORT]	

DIAGNOSIS SENSOR UNIT

< ECU DIAGNOSIS INFORMATION >

DTC	Diagnostic item	Reference page
B142A-16	IGNITION VOLTAGE [VB-LOW]	SRC-107, "Diagnosis Procedure"
B142A-17	IGNITION VOLTAGE [VB-HIGH]	
B1400-00	CONTROL UNIT [UNIT MALFUNC]	SRC-110, "Diagnosis Procedure"
B1401-00		
B1402-00		
B1403-00		
B1404-00		
B1405-00		
B1406-00		
B1407-00		
B1408-00		
B1409-00		
B1410-00		
B1411-00		
B1412-00		
B1413-00		
B1414-00		
B1415-00		
B1416-00		
B1417-00		
B1418-00		
B1419-00		
B1420-00		
B1421-00	FRONTAL COLLISION	SRC-110, "Diagnosis Procedure"
B1422-00	SIDE COLLISION	
B1427-55	ECU SETTING	SRC-112, "Diagnosis Procedure"

A

B

C

D

E

F

G

SRC

I

J

K

Flash Code Index

INFOID:000000012424993

WARNING LAMP FLASH CODE CHART

How to read flash codes

1. Put the vehicle in Diagnosis Mode. Refer to [SRC-14, "On Board Diagnosis Function"](#).
2. All codes are followed by a seven second "holding" flash.
3. Identify how many primary flashes are displayed as well as the length of each primary flash.
4. Refer to the tables and examples below to determine which SRS subsystem the code belongs to.
5. Count the short secondary flashes that follow the primary flashes.
6. Match the correct flashing pattern to the malfunctioning component and perform the Diagnosis Procedure.

Refer to the illustrations below for an example of each flashing pattern.

Front subsystem

L

M

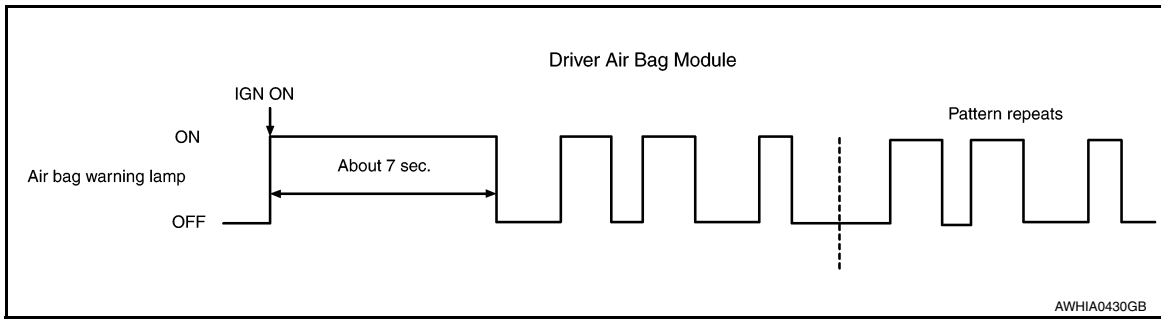
N

O

P

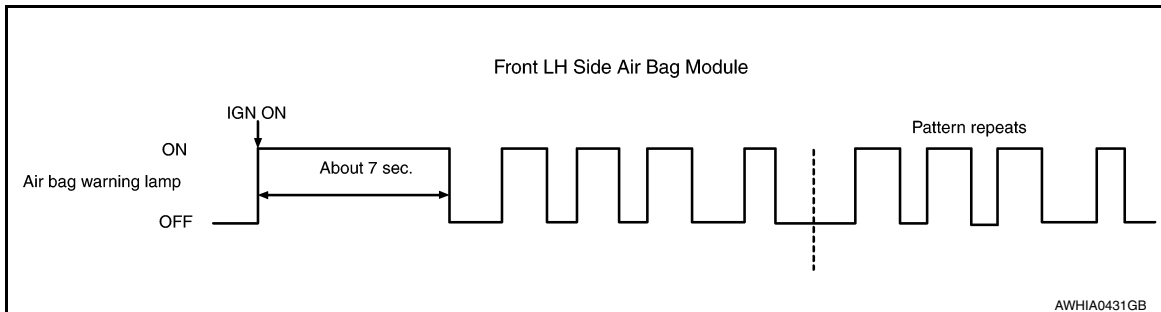
DIAGNOSIS SENSOR UNIT

< ECU DIAGNOSIS INFORMATION >



Flashes (Primary)	Flash Length (seconds)	Flashes (Secondary)	Malfunctioning Component or Circuit	Reference
2	1.5	1	Driver air bag module	SRC-47. "Diagnosis Procedure"
		2	Passenger air bag module	SRC-50. "Diagnosis Procedure"
		3	Front LH seat belt pre-tensioner (shoulder)	SRC-97. "Diagnosis Procedure"
		4	Front RH seat belt pre-tensioner (shoulder)	SRC-100. "Diagnosis Procedure"
		5	Front LH seat belt pre-tensioner (lap)	SRC-103. "Diagnosis Procedure"
		6	Front RH seat belt pre-tensioner (lap)	SRC-105. "Diagnosis Procedure"

Side subsystem

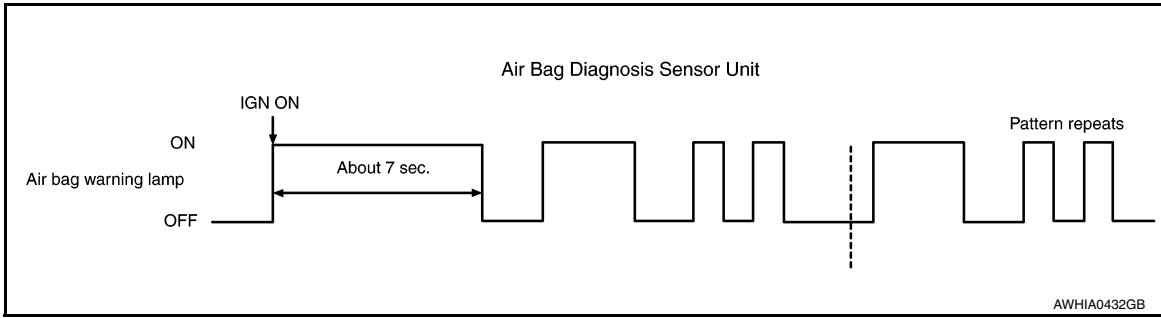


Flashes (Primary)	Flash Length (seconds)	Flashes (Secondary)	Malfunctioning Component or Circuit	Reference
3	1.5	1	Front LH side air bag module	SRC-53. "Diagnosis Procedure"
		2	Front RH side air bag module	SRC-59. "Diagnosis Procedure"
		3	LH side curtain air bag module	SRC-56. "Diagnosis Procedure"
		4	RH side curtain air bag module	SRC-62. "Diagnosis Procedure"

Air bag subsystem

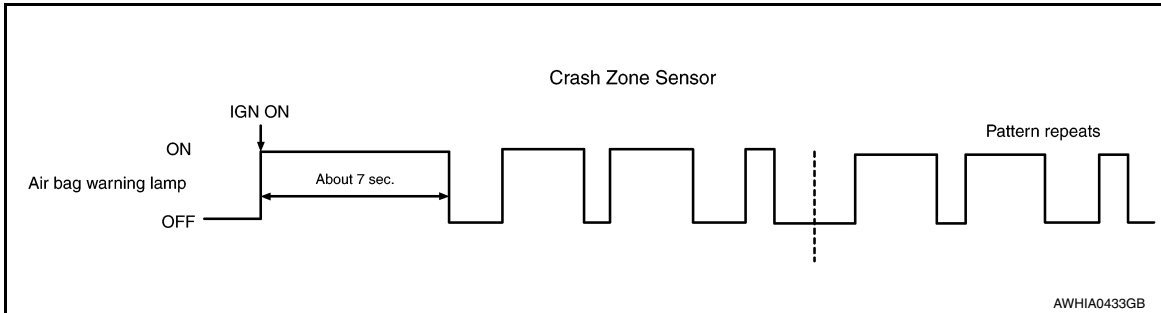
DIAGNOSIS SENSOR UNIT

< ECU DIAGNOSIS INFORMATION >



Flashes (Primary)	Flash Length (seconds)	Flashes (Secondary)	Malfunctioning Component or Circuit	Reference
1	3	1	Collision detection	SRC-109. "Diagnosis Procedure"
		2	Air bag diagnosis sensor unit	SRC-110. "Diagnosis Procedure"
		3	Passenger air bag OFF indicator	SRC-91. "Diagnosis Procedure"
		4	Occupant classification system	SRC-86. "Diagnosis Procedure (B00A0-00, -02 or -09)"; SRC-87. "Diagnosis Procedure (B00A0-04)"; SRC-88. "Diagnosis Procedure (B00A0-83, -86, -87, -88 or -8F)"; SRC-89. "Diagnosis Procedure (B00A0-93)"

Sensor subsystem



A
B
C
D
E
F
G
SRC
I
J
K
L
M
N
O
P

DIAGNOSIS SENSOR UNIT

< ECU DIAGNOSIS INFORMATION >

Flashes (Primary)	Flash Length (seconds)	Flashes (Secondary)	Malfunctioning Component or Circuit	Reference
2	3	1	Crash zone sensor	SRC-74. "Diagnosis Procedure"
		2	Front side air bag satellite sensor LH	SRC-65. "Diagnosis Procedure"
		3	Front side air bag satellite sensor RH	SRC-77. "Diagnosis Procedure"
		4	Rear side satellite sensor LH	SRC-68. "Diagnosis Procedure"
		5	Rear side satellite sensor RH	SRC-80. "Diagnosis Procedure"
		6	Front door satellite sensor LH	SRC-71. "Diagnosis Procedure"
		7	Front door satellite sensor RH	SRC-83. "Diagnosis Procedure"
		8	Seat belt buckle switch LH	SRC-93. "Diagnosis Procedure"
		9	Seat belt buckle switch RH	SRC-95. "Diagnosis Procedure"

SRS AIR BAG SYSTEM

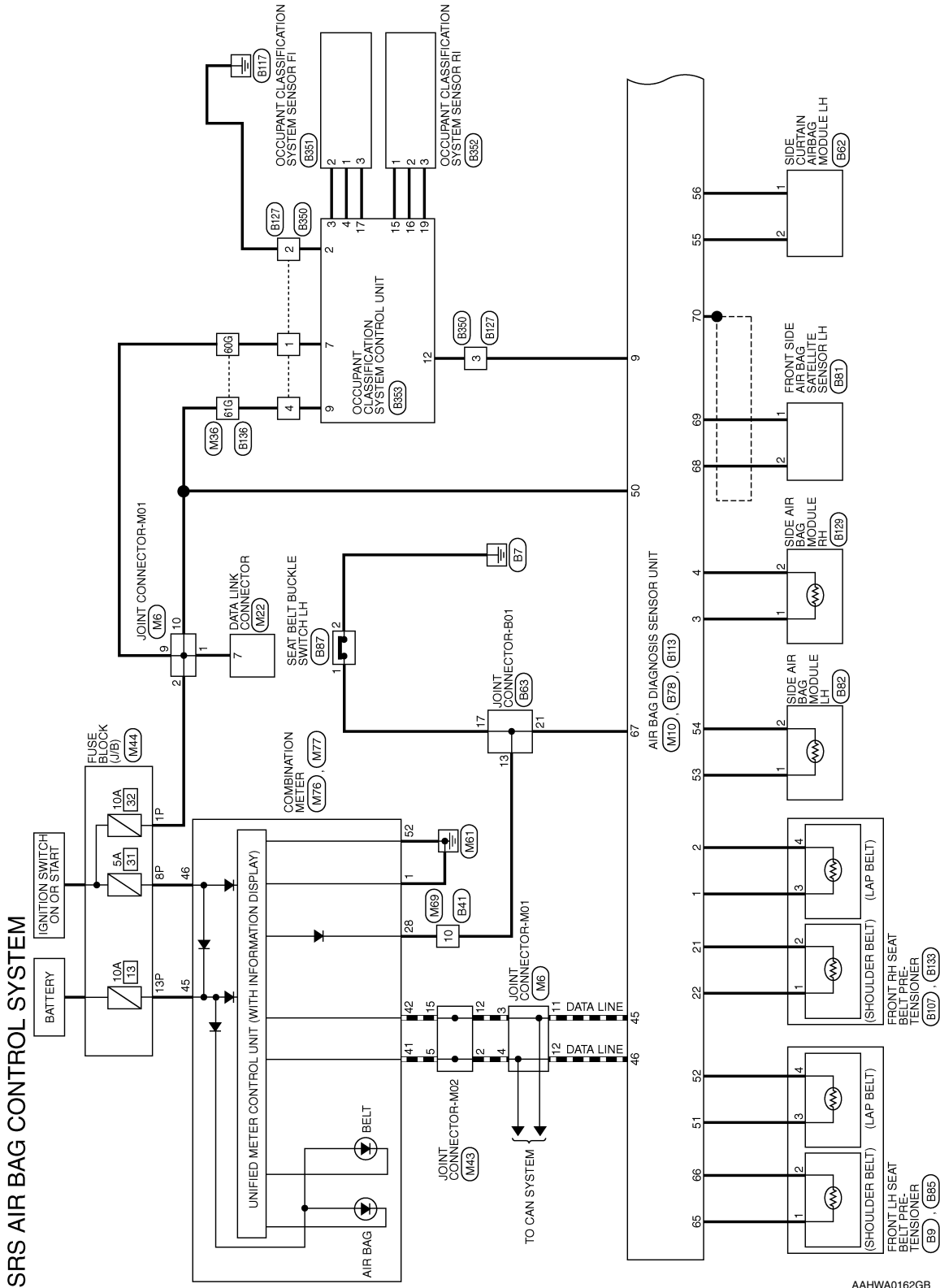
< WIRING DIAGRAM >

WIRING DIAGRAM

SRS AIR BAG SYSTEM

Wiring Diagram

INFOID:000000012424994



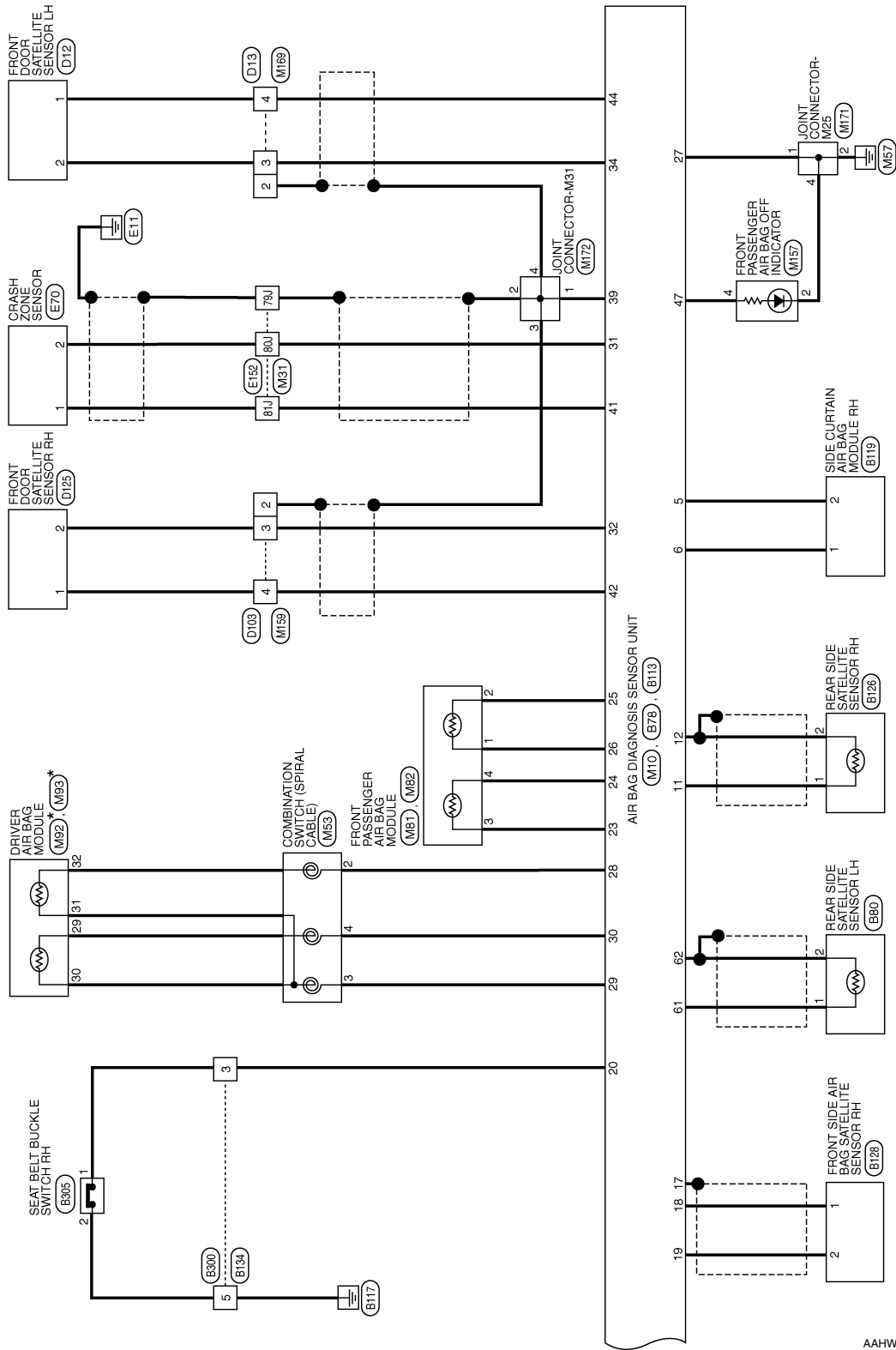
AAHWA0162GB

A
B
C
D
E
F
G
H
I
J
K
L
M
N
O
P

SRC

SRS AIR BAG SYSTEM

< WIRING DIAGRAM >



* : THIS CONNECTOR IS NOT SHOWN IN "HARNES LAYOUT" OF PG SECTION.

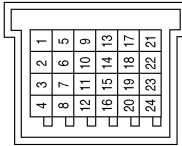
AAHWA0163GB

SRS AIR BAG SYSTEM

< WIRING DIAGRAM >

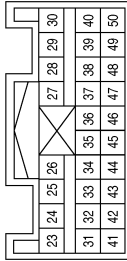
SRS AIR BAG CONTROL SYSTEM CONNECTORS

Connector No.	M6
Connector Name	JOINT CONNECTOR-M01
Connector Color	GRAY



Terminal No.	Color of Wire	Signal Name
1	GR	-
2	R	-
3	P	-
4	L	-
9	GR	-
10	R	-
11	P	-
12	L	-

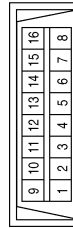
Connector No.	M10
Connector Name	AIR BAG DIAGNOSIS SENSOR UNIT
Connector Color	YELLOW



Terminal No.	Color of Wire	Signal Name
23	L	AS2+
24	BG	AS2-
25	LG	AS1-
26	SB	AS1+
27	B	GND
28	V	DR2+
29	Y	DR1- & DR2-
30	G	DR1+

Terminal No.	Color of Wire	Signal Name
31	B	ECZS-
32	BR	RH DOOR-SAT-
33	-	-
34	G	LH DOOR-SAT-
35	-	-
36	-	-
37	-	-
38	-	-
39	B	GND
40	-	-
41	W	ECZS+
42	Y	RH DOOR-SAT+
43	-	-
44	R	LH DOOR-SAT+
45	P	CAN-L
46	L	CAN-H
47	GR	TELLTALE LAMP OFF
48	-	-
49	-	-
50	R	IGN

Connector No.	M22
Connector Name	DATA LINK CONNECTOR
Connector Color	WHITE



Terminal No.	Color of Wire	Signal Name
7	GR	-

AAHIA0361GB

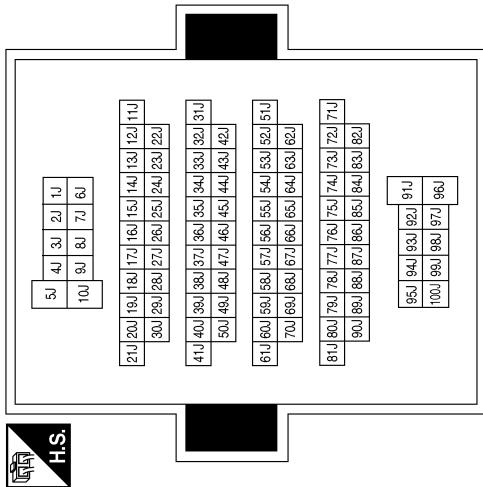
A
B
C
D
E
F
G
H
I
J
K
L
M
N
O
P

SRC

SRS AIR BAG SYSTEM

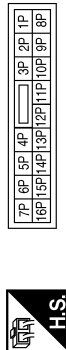
< WIRING DIAGRAM >

Connector No.	M31
Connector Name	WIRE TO WIRE
Connector Color	WHITE



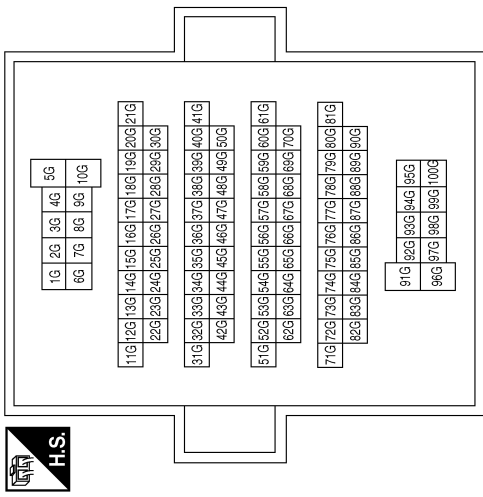
Terminal No.	Color of Wire	Signal Name
79J	SHIELD	-
80J	B	-
81J	W	-

Connector No.	M44
Connector Name	FUSE BLOCK (J/B)
Connector Color	WHITE



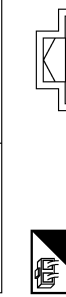
Terminal No.	Color of Wire	Signal Name
1P	R	-
8P	LA/BR	-
13P	LA/G	-

Connector No.	M36
Connector Name	WIRE TO WIRE
Connector Color	WHITE



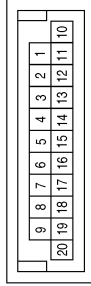
Terminal No.	Color of Wire	Signal Name
60G	GR	-
61G	BR	-

Connector No.	M53
Connector Name	COMBINATION SWITCH (SPIRAL CABLE)
Connector Color	GRAY



Terminal No.	Color of Wire	Signal Name
2	V	-
3	Y	-
4	G	-

Connector No.	M43
Connector Name	JOINT CONNECTOR-M02
Connector Color	BLUE



Terminal No.	Color of Wire	Signal Name
2	L	-
5	L	-
12	P	-
15	P	-

Connector No.	M69
Connector Name	WIRE TO WIRE
Connector Color	WHITE



Terminal No.	Color of Wire	Signal Name
10	Y	-

SRS AIR BAG SYSTEM

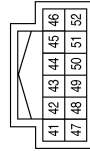
< WIRING DIAGRAM >

Connector No.	M81
Connector Name	FRONT PASSENGER AIR BAG MODULE
Connector Color	ORANGE



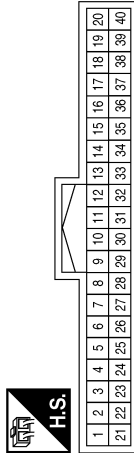
Terminal No.	Color of Wire	Signal Name
1	SB	-
2	LG	-

Connector No.	M77
Connector Name	COMBINATION METER
Connector Color	WHITE



Terminal No.	Color of Wire	Signal Name
41	L	CAN-H
42	P	CAN-L
45	LA/G	BAT
46	LA/BR	IGN
52	B	G1

Connector No.	M76
Connector Name	COMBINATION METER
Connector Color	WHITE



Terminal No.	Color of Wire	Signal Name
1	B	GND
28	Y	DR BELT SW

Connector No.	M93
Connector Name	DRIVER AIR BAG MODULE
Connector Color	ORANGE



Terminal No.	Color of Wire	Signal Name
31	L	-
32	R	-

Connector No.	M92
Connector Name	DRIVER AIR BAG MODULE
Connector Color	YELLOW



Terminal No.	Color of Wire	Signal Name
29	G	-
30	Y	-

Connector No.	M82
Connector Name	FRONT PASSENGER AIR BAG MODULE
Connector Color	BLACK



Terminal No.	Color of Wire	Signal Name
3	L	-
4	BG	-

AAHIA0363GB

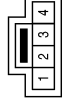
A
B
C
D
E
F
G
H
I
J
K
L
M
N
O
P

SRC

SRS AIR BAG SYSTEM

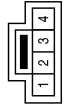
< WIRING DIAGRAM >

Connector No.	M169
Connector Name	WIRE TO WIRE
Connector Color	YELLOW



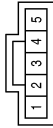
Terminal No.	Color of Wire	Signal Name
2	SHIELD	-
3	G	-
4	R	-

Connector No.	M159
Connector Name	WIRE TO WIRE
Connector Color	YELLOW



Terminal No.	Color of Wire	Signal Name
2	SHIELD	-
3	BR	-
4	Y	-

Connector No.	M157
Connector Name	FRONT PASSENGER AIR BAG OFF INDICATOR
Connector Color	BLACK



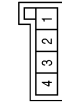
Terminal No.	Color of Wire	Signal Name
2	B	-
4	GR	-

Connector No.	E70
Connector Name	CRASH ZONE SENSOR
Connector Color	YELLOW



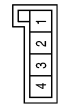
Terminal No.	Color of Wire	Signal Name
1	W	-
2	B	-

Connector No.	M172
Connector Name	JOINT CONNECTOR-M31
Connector Color	WHITE



Terminal No.	Color of Wire	Signal Name
1	B	-
2	SHIELD	-
3	SHIELD	-
4	SHIELD	-

Connector No.	M171
Connector Name	JOINT CONNECTOR-M25
Connector Color	WHITE




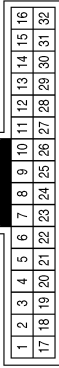
Terminal No.	Color of Wire	Signal Name
1	B	-
2	B	-
4	B	-

AAHIA0268GB

SRS AIR BAG SYSTEM


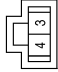
< WIRING DIAGRAM >

Connector No.	B41
Connector Name	WIRE TO WIRE
Connector Color	WHITE

Terminal No.	Color of Wire	Signal Name
10	LA/Y	-

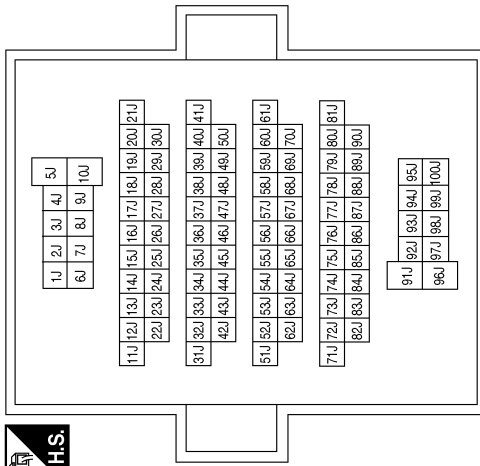
Connector No.	B9
Connector Name	FRONT LH SEAT BELT PRE-TENSIONER (LAP BELT)
Connector Color	ORANGE

Terminal No.	Color of Wire	Signal Name
3	G	-
4	R	-


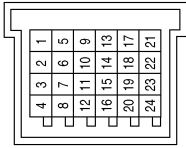
Connector No.	E152
Connector Name	WIRE TO WIRE
Connector Color	WHITE





Terminal No.	Color of Wire	Signal Name
79J	SHIELD	-
80J	B	-
81J	W	-

Connector No.	B63
Connector Name	JOINT CONNECTOR-B01
Connector Color	GRAY

Connector No.	B62
Connector Name	SIDE CURTAIN AIRBAG MODULE LH
Connector Color	YELLOW




Terminal No.	Color of Wire	Signal Name
1	Y	-
2	BR	-

AAHIA0558GB

A
B
C
D
E
F
G
H
I
J
K
L
M
N
O
P

SRC

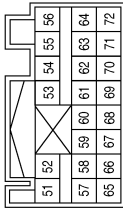
SRS AIR BAG SYSTEM

< WIRING DIAGRAM >

Terminal No.	Color of Wire	Signal Name
65	P	P-LH1+
66	GR	P-LH1-
67	SB	LH BUCKLE SW+
68	G	LH B-SAT-
69	R	LH B-SAT+
70	SHIELD	GND
71	-	-
72	-	-

Terminal No.	Color of Wire	Signal Name
54	LG	LH SQUIB #2-
55	BR	LH SQUIB #3-
56	Y	LH SQUIB #3+
57	-	-
58	-	-
59	-	-
60	-	-
61	L	LH C-SAT+
62	P	LH C-SAT-
63	-	-
64	-	-

Connector No.	B78
Connector Name	AIR BAG DIAGNOSIS SENSOR UNIT
Connector Color	YELLOW



Terminal No.	Color of Wire	Signal Name
51	G	LH SQUIB #1+
52	R	LH SQUIB #1-
53	V	LH SQUIB #2+

Connector No.	B82
Connector Name	SIDE AIR BAG MODULE LH
Connector Color	YELLOW



Terminal No.	Color of Wire	Signal Name
1	V	-
2	LG	-

Connector No.	B81
Connector Name	FRONT AIR BAG SATELLITE SENSOR LH
Connector Color	YELLOW



Terminal No.	Color of Wire	Signal Name
1	R	-
2	G	-

Connector No.	B80
Connector Name	REAR SIDE SATELLITE SENSOR LH
Connector Color	YELLOW



Terminal No.	Color of Wire	Signal Name
1	L	-
2	P	-

AAHIA0559GB

SRS AIR BAG SYSTEM

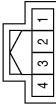
< WIRING DIAGRAM >

Connector No.	B107
Connector Name	FRONT RH SEAT BELT PRE-TENSIONER (LAP BELT)
Connector Color	ORANGE



Terminal No.	Color of Wire	Signal Name
3	Y	-
4	L	-

Connector No.	B87
Connector Name	SEAT BELT BUCKLE SWITCH LH
Connector Color	WHITE



Terminal No.	Color of Wire	Signal Name
1	LA/Y	-
2	B	-

Connector No.	B85
Connector Name	FRONT LH SEAT BELT PRE-TENSIONER (SHOULDER BELT)
Connector Color	YELLOW



Terminal No.	Color of Wire	Signal Name
1	P	-
2	GR	-

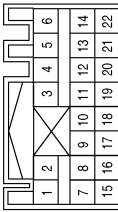
Connector No.	B119
Connector Name	SIDE CURTAIN AIRBAG MODULE RH
Connector Color	YELLOW



Terminal No.	Color of Wire	Signal Name
1	W	-
2	B	-

Terminal No.	Color of Wire	Signal Name
5	B	RH SQUIB #3-
6	W	RH SQUIB #3+
7	-	-
8	-	-
9	BG	ODS
10	-	-
11	BR	RH C-SAT+
12	Y	RH C-SAT-
13	-	-
14	-	-
15	-	-
16	-	-
17	SHIELD	GND
18	R	RH B-SAT+
19	G	RH B-SAT-
20	SB	RH BUCKLE SW +
21	V	P-RH1-
22	LG	P-RH1+

Connector No.	B113
Connector Name	AIR BAG DIAGNOSIS SENSOR UNIT
Connector Color	YELLOW



Terminal No.	Color of Wire	Signal Name
1	Y	RH SQUIB #1+
2	L	RH SQUIB #1-
3	V	RH SQUIB #2+
4	P	RH SQUIB #2-

AAHIA0560GB

A
B
C
D
E
F
G
H
I
J
K
L
M
N
O
P

SRC

SRS AIR BAG SYSTEM

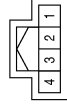
< WIRING DIAGRAM >

Connector No.	B128
Connector Name	FRONT SIDE AIR BAG SATELLITE SENSOR RH
Connector Color	YELLOW



Terminal No.	Color of Wire	Signal Name
1	R	-
2	G	-

Connector No.	B127
Connector Name	WIRE TO WIRE
Connector Color	WHITE



Terminal No.	Color of Wire	Signal Name
1	GR	-
2	B	-
3	BG	-
4	V	-

Connector No.	B126
Connector Name	REAR SIDE SATELLITE SENSOR RH
Connector Color	YELLOW



Terminal No.	Color of Wire	Signal Name
1	BR	-
2	Y	-

Connector No.	B134
Connector Name	WIRE TO WIRE
Connector Color	WHITE



Terminal No.	Color of Wire	Signal Name
3	SB	-
5	B	-

Connector No.	B133
Connector Name	FRONT RH SEATBELT PRE-TENSIONER (SHOULDER BELT)
Connector Color	YELLOW



Terminal No.	Color of Wire	Signal Name
1	LG	-
2	V	-

Connector No.	B129
Connector Name	SIDE AIR BAG MODULE RH
Connector Color	YELLOW



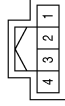
Terminal No.	Color of Wire	Signal Name
1	V	-
2	P	-

AAHIA0561GB

SRS AIR BAG SYSTEM

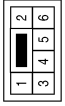
< WIRING DIAGRAM >

Connector No.	B305
Connector Name	SEAT BELT BUCKLE SWITCH RH
Connector Color	WHITE



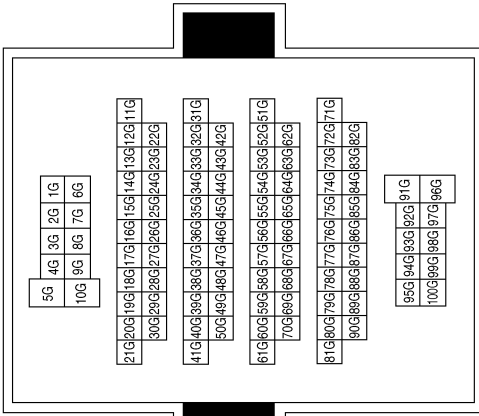
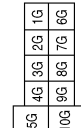
Terminal No.	Color of Wire	Signal Name
1	BR	-
2	P	-

Connector No.	B300
Connector Name	WIRE TO WIRE
Connector Color	WHITE



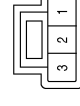
Terminal No.	Color of Wire	Signal Name
3	BR	-
5	P	-

Connector No.	B136
Connector Name	WIRE TO WIRE
Connector Color	WHITE



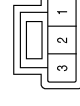
Terminal No.	Color of Wire	Signal Name
60G	GR	-
61G	V	-

Connector No.	B352
Connector Name	OCCUPANT CLASSIFICATION SYSTEM SENSOR RI
Connector Color	BLACK



Terminal No.	Color of Wire	Signal Name
1	W/L	-
2	SB	-
3	Y	-

Connector No.	B351
Connector Name	OCCUPANT CLASSIFICATION SENSOR FI
Connector Color	BLACK



Terminal No.	Color of Wire	Signal Name
1	R/B	-
2	LG	-
3	R	-

Connector No.	B350
Connector Name	WIRE TO WIRE
Connector Color	WHITE



Terminal No.	Color of Wire	Signal Name
1	GR	-
2	B	-
3	BR/W	-
4	W	-

AAHIA0562GB

A
B
C
D
E
F
G
H
I
J
K
L
M
N
O
P

SRC

SRS AIR BAG SYSTEM

< WIRING DIAGRAM >

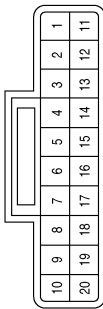
Connector No.	D12
Connector Name	FRONT DOOR SATELLITE SENSOR LH
Connector Color	YELLOW



Terminal No.	Color of Wire	Signal Name
1	G	-
2	R	-

Terminal No.	Color of Wire	Signal Name
8	-	-
9	W	IGN
10	-	-
11	-	-
12	BRW	ACU COMM
13	-	-
14	-	-
15	W/L	LOAD SENSOR REAR INNER GND
16	SB	LOAD SENSOR REAR INNER SIGNAL
17	R	LOAD SENSOR FRONT INNER VCC
18	-	-
19	Y	LOAD SENSOR REAR INNER VCC
20	-	-

Connector No.	B353
Connector Name	OCCUPANT CLASSIFICATION SYSTEM CONTROL UNIT
Connector Color	BLACK



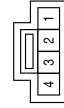
Terminal No.	Color of Wire	Signal Name
1	-	-
2	B	GND
3	LG	LOAD SENSOR FRONT INNER SIGNAL
4	R/B	LOAD SENSOR FRONT INNER GND
5	-	-
6	-	-
7	GR	K-LINE

Connector No.	D125
Connector Name	FRONT DOOR SATELLITE SENSOR RH
Connector Color	YELLOW



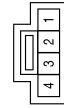
Terminal No.	Color of Wire	Signal Name
1	Y	-
2	BR	-

Connector No.	D103
Connector Name	WIRE TO WIRE
Connector Color	YELLOW



Terminal No.	Color of Wire	Signal Name
2	SHIELD	-
3	BR	-
4	Y	-

Connector No.	D13
Connector Name	WIRE TO WIRE
Connector Color	YELLOW



Terminal No.	Color of Wire	Signal Name
2	SHIELD	-
3	R	-
4	G	-

AAHIA0563GB

DIAGNOSIS AND REPAIR WORK FLOW

< BASIC INSPECTION >

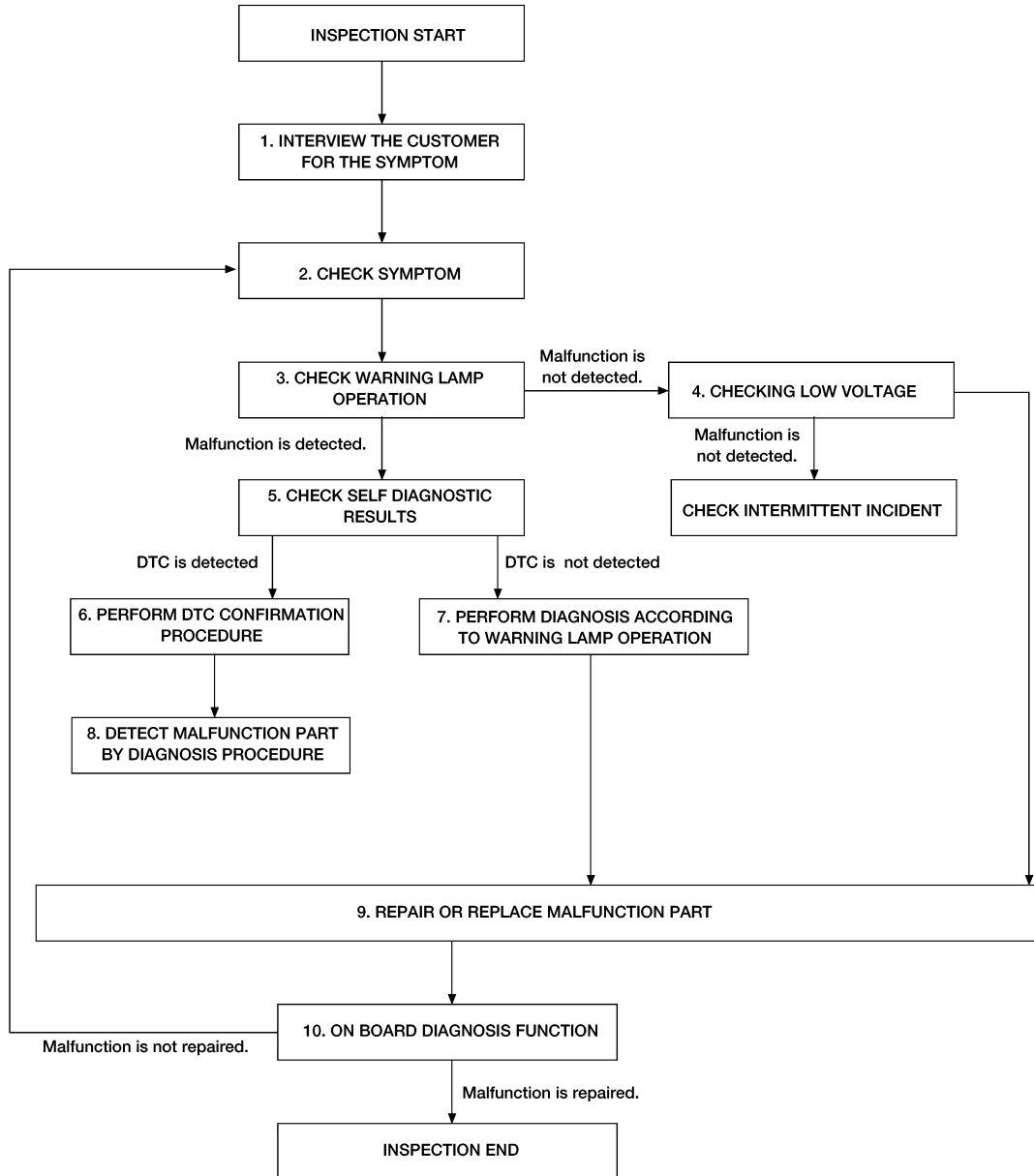
BASIC INSPECTION

DIAGNOSIS AND REPAIR WORK FLOW

Work Flow

INFOID:0000000012424995

OVERALL SEQUENCE



A
B
C
D
E
F
G
H
I
J
K
L
M
N
O
P

SRC

AWHIA0555GB

DETAILED FLOW

DIAGNOSIS AND REPAIR WORK FLOW

< BASIC INSPECTION >

1. INTERVIEW THE CUSTOMER FOR THE SYMPTOM

Interview the customer for the symptom (the condition and the environment when the incident/malfunction occurs).

>> GO TO 2.

2. CHECK SYMPTOM

Check the symptom from the customer information.

>> GO TO 3.

3. CHECK WARNING LAMP OPERATION

Check air bag warning lamp operation in the user mode.

Are any malfunction detected?

YES >> GO TO 5.

NO >> GO TO 4.

4. CHECK LOW VOLTAGE

Check low voltage with CONSULT.

Are any malfunction detected?

YES >> GO TO 9.

NO >> Check intermittent incident. Refer to [GI-45, "Intermittent Incident"](#).

5. CHECK SELF DIAGNOSTIC RESULT

Check "Self Diagnostic Result" with CONSULT or diagnosis mode.

If it is impossible to switch to diagnosis mode, follow the same procedure that DTC is not detected.

NOTE:

Perform the following procedure if DTC is detected.

- Record DTC (Print them out with CONSULT.)
- Erase "Self Diagnostic Result".
- Study the relationship between the malfunction that DTC or air bag warning lamp indicates and the symptom that the customer describes.
- Check related service bulletins for information.

Is DTC detected?

YES >> GO TO 6.

NO >> GO TO 7.

6. PERFORM DTC CONFIRMATION PROCEDURE

Perform DTC CONFIRMATION PROCEDURE for the DTC.

>> GO TO 8.

7. PERFORM DIAGNOSIS ACCORDING TO WARNING LAMP OPERATION

1. Check air bag warning lamp operation in the user mode.
2. Perform Diagnosis Procedure for the air bag warning lamp operation.

>> GO TO 9.

8. DETECT MALFUNCTIONING PART BY DIAGNOSTIC PROCEDURE

Inspect according to Diagnostic Procedure of the DTC.

>> GO TO 9.

9. REPAIR OR REPLACE THE MALFUNCTION PART

Repair or replace the malfunctioning part.

DIAGNOSIS AND REPAIR WORK FLOW

< BASIC INSPECTION >

>> GO TO 10.

10.ON BOARD DIAGNOSIS FUNCTION

Check self diagnostic result and air bag warning lamp operation in the user mode.

Is the malfunction repaired?

YES >> Inspection End.

NO >> GO TO 2.

A

B

C

D

E

F

G

SRC

I

J

K

L

M

N

O

P

INSPECTION AND ADJUSTMENT

< BASIC INSPECTION >

INSPECTION AND ADJUSTMENT

ADDITIONAL SERVICE WHEN REPLACING CONTROL UNIT

ADDITIONAL SERVICE WHEN REPLACING CONTROL UNIT : Description

INFOID:000000012424996

- When replacing the occupant classification system control unit, perform “Zero point reset” procedure. Refer to [SRC-40, "ZERO POINT RESET : Special Repair Requirement"](#).
- When replacing the air bag diagnosis sensor unit configuration of the air bag diagnosis sensor unit is required. Refer to [SRC-41, "CONFIGURATION : Work Procedure"](#).

ZERO POINT RESET

ZERO POINT RESET : Description

INFOID:000000012424997

Always perform “Zero point reset” using CONSULT when removing and installing the passenger seat or servicing the occupant classification system, including removing/installing or replacing the OCS control unit and sensors. If zero point reset is not performed the OCS may not operate normally, which may increase the risk of serious injury in a collision. “Zero point reset” is an initializing procedure for occupant detection sensor that must be performed when replacing or removing and installing passenger seat.

If “Zero point reset” is not performed, the initialization is incomplete and Occupant Detection System does not operate normally.

NOTE:

- When “Zero point reset” is performed once after removal and installation of passenger seat, CONSULT displays “complete”.
- When reinstalling passenger seat after removal, the initial value for occupant detection sensor changes, and Occupant Detection System does not operate normally.
- Always perform “Zero point reset” after performing the work as per the following:
 - Reinstallation of passenger seat
 - Installation of passenger seat that is “Zero point reset” complete
 - Installation of passenger seat that is “Zero point reset” in complete

ZERO POINT RESET : Special Repair Requirement

INFOID:000000012424998

1. PERFORM ZERO POINT RESET

1. Perform “Zero point reset”.

NOTE:

When performing “Zero point reset”, be careful of the items described as per the following:

- Perform “Zero point reset” after installing passenger seat to the vehicle
 - Do not put any objects on passenger seat
 - Do not apply excessive vibration to the vehicle
 - Do not touch the vehicle
 - Do not tilt the vehicle
2. Select start on “Zero point reset function” screen from, “Work support” of CONSULT “OCCUPANT DETECTION”.
 3. “Zero point reset” starts.

>> GO TO 2.

2. CONFIRMATION OF SETTING

1. Proceed to “Zero point reset function” screen from “Work support” of CONSULT “OCCUPANT DETECTION”.
2. Check that “Complete” or “Incomplete” is displayed on “Zero point reset status”.

CAUTION:

- “Complete” is displayed on “Zero point reset current status” if the seat is reinstalled by seat removal and installation, or “Zero point reset” is already performed.
- “Zero point reset current status” displays “Incomplete” if a new seat is installed. When turning key switch ON without performing “Zero point reset”, front passenger air bag OFF indicator turns ON. When “Zero point reset” is performed, front passenger air bag OFF indicator turns OFF.

INSPECTION AND ADJUSTMENT

< BASIC INSPECTION >

- Air bag warning lamp blinks in user mode only.
- Air bag sensor unit does not record whether or not zero point reset is performed.

Is condition "ALREADY PERFORMED"?

YES >> Print out "ZERO POINT RESET CURRENT STATUS" screen, and inspection end.

NO >> Check condition as per the following, and perform "Zero point reset" again:

- Passenger seat is occupied by an object.
- Excessive vibration is applied while performing "Zero point reset".
- Occupant detection system is malfunctioning.

NOTE:

If "Incomplete" is displayed on "Zero point reset current status", "Zero point reset" is not completed normally. Check the condition as per the following and perform "Zero point reset" again:

- Passenger seat is occupied by an object.
- Excessive vibration is applied while performing "Zero point reset".
- Occupant detection system is malfunctioning.

CONFIGURATION

CONFIGURATION : Description

INFOID:0000000012424999

When replacing air bag diagnosis sensor unit, save or print current vehicle specification with CONSULT configuration before replacement.

NOTE:

If "Before Replace ECU" cannot be used, use the "After Replace ECU" or "Manual Configuration" after replacing air bag diagnosis sensor unit.

CONFIGURATION : Work Procedure

INFOID:0000000012425000

SRC

CAUTION:

- When replacing ECU, you must perform "Write Configuration" with CONSULT.
- Complete the procedure of "Write Configuration" in order.
- If you set incorrect "Write Configuration", incidents might occur.
- Configuration is different for each vehicle model. Confirm configuration of each vehicle model.
- Never perform "Write Configuration" except for new air bag diagnosis sensor unit.
- When replacing BCM, perform the system initialization (NATS).

CONFIGURATION

Vehicle specification needs to be written with CONSULT because it is not written after replacing air bag diagnosis sensor unit.

Configuration has three functions as follows:

Function	Description
"Before Replace ECU"	<ul style="list-style-type: none">• Reads the vehicle configuration of current air bag diagnosis sensor unit.• Saves the read vehicle configuration.
"After Replace ECU"	Writes the vehicle configuration with manual selection.
"Select Saved Data List"	Writes the vehicle configuration with saved data.

CAUTION:

- When replacing air bag diagnosis sensor unit, you must perform "Select Saved Data List" or "After Replace ECU" with CONSULT.
- Complete the procedure of "Select Saved Data List" or "After Replace ECU" in order.
- If you set incorrect "Select Saved Data List" or "After Replace ECU", incidents might occur.
- Configuration is different for each vehicle model. Confirm configuration of each vehicle model.
- Never perform "Select Saved Data List" or "After Replace ECU" except for new air bag diagnosis sensor unit.

1. SAVING VEHICLE SPECIFICATION

CONSULT

Enter "Re/Programming, Configuration" and perform "Before Replace ECU" to save or print current vehicle specification.

NOTE:

If "Before Replace ECU" cannot be used, use the "After Replace ECU" or "Manual Configuration" after replacing BCM.

INSPECTION AND ADJUSTMENT

< BASIC INSPECTION >

>> GO TO 2.

2. REPLACE AIR BAG DIAGNOSIS SENSOR UNIT

Replace air bag diagnosis sensor unit. Refer to [SR-26. "Removal and Installation"](#).

>> GO TO 3.

3. WRITING VEHICLE SPECIFICATION

CONSULT

1. Enter "Re/Programming, Configuration".
2. If "Before Replace ECU" operation was performed, automatically an "Operation Log Selection" screen will be displayed. Select the applicable file from the "Saved Data List" and press "Confirm" to write vehicle specification.
3. If "Before Replace ECU" operation was not performed, select "After Replace ECU" or "Manual Configuration" to write vehicle specification.
 - Select "After Replace ECU" or "Manual Configuration".
 - Identify the correct model and configuration list.
 - Confirm and/or change setting value for each item.

CAUTION:

Thoroughly read and understand the vehicle specification. ECU control may not operate normally if the setting is not correct.

- Select "Next".

CAUTION:

Make sure to select "Next", confirm each setting value and press "OK" even if the indicated configuration of brand new air bag diagnosis sensor unit is same as the desirable configuration. If not, configuration which is set automatically by selecting vehicle model cannot be memorized.

- When "Completed", select "End".

>> GO TO 4.

4. OPERATION CHECK

Confirm that each function controlled by air bag diagnosis sensor unit.

>> Work End.

INTERMITTENT INCIDENT

< BASIC INSPECTION >

INTERMITTENT INCIDENT

Inspection Procedure

INFOID:000000012425001

INTERMITTENT TROUBLE

An intermittent incident may have occurred in the past but is not being detected currently. This DTC will not be detected on "Self Diagnostic Result [CURRENT]", but may be viewed on "Self Diagnostic Result [PAST]" if the DTC has not been erased. Refer to [SRC-16, "Trouble Diagnosis with CONSULT"](#).

- A
- B
- C
- D
- E
- F
- G
- SRC**
- I
- J
- K
- L
- M
- N
- O
- P

U1000 CAN COMM CIRCUIT

< DTC/CIRCUIT DIAGNOSIS >

DTC/CIRCUIT DIAGNOSIS

U1000 CAN COMM CIRCUIT

Description

INFOID:0000000012600598

CAN (Controller Area Network) is a serial communication system for real time application. It is an on-vehicle multiplex communication system with high data communication speed and excellent error detection ability. Many electronic control units are equipped into vehicles, and each control unit shares information and links with other control units during operation. With CAN communication, control units are connected with two communication lines (CAN-H line, CAN-L line) allowing a high rate of information transmission with less wiring. Each control unit transmits and receives data but selectively reads required data only. Refer to [LAN-36. "CAN COMMUNICATION SYSTEM : CAN Communication Signal Chart"](#).

DTC Logic

INFOID:0000000012600599

DTC DETECTION LOGIC

DTC	CONSULT screen items (Trouble diagnosis content)	DTC detecting condition
U1000-01	CAN COMM CIRCUIT [—]	When air bag diagnosis sensor unit is not transmitting or receiving CAN communication signals for 2 or more seconds.

DTC CONFIRMATION PROCEDURE

1.PERFORM SELF-DIAGNOSIS

1. Turn ignition switch ON and wait for 7 seconds or more.
2. Using CONSULT, perform SELF-DIAGNOSIS RESULTS of AIR BAG.
3. Check if any DTC is displayed in the self-diagnosis results.

Is DTC detected?

- YES >> Refer to [SRC-44. "Diagnosis Procedure"](#).
NO >> Refer to [GI-45. "Intermittent Incident"](#).

Diagnosis Procedure

INFOID:0000000012600600

1.CHECK CAN COMMUNICATION SYSTEM

Check CAN communication system. Refer to [LAN-20. "Trouble Diagnosis Flow Chart"](#).

>> Inspection End.

U1010 CONTROL UNIT (CAN)

< DTC/CIRCUIT DIAGNOSIS >

U1010 CONTROL UNIT (CAN)

Description

INFOID:0000000012600601

Air bag diagnosis sensor performs self-tests on key ON. If CAN communication failure within control unit is detected, DTC is set.

DTC Logic

INFOID:0000000012600602

DTC DETECTION LOGIC

DTC	CONSULT screen items (Trouble diagnosis content)	DTC detecting condition
U1010-49	CONTROL UNIT (CAN) [-]	CAN communication error is detected in control unit.

DTC CONFIRMATION PROCEDURE

1.PERFORM SELF-DIAGNOSIS

1. Turn ignition switch ON.
2. Using CONSULT, perform SELF DIAGNOSIS RESULTS of AIR BAG.
3. Check if DTC is displayed in the self-diagnosis results.

Is DTC detected?

- YES >> Refer to [SRC-45. "Diagnosis Procedure"](#).
NO >> Inspection End.

Diagnosis Procedure

INFOID:0000000012600603

1.REPLACE AIR BAG DIAGNOSIS SENSOR UNIT

Replace air bag diagnosis sensor unit. Refer to [SR-26. "Removal and Installation"](#).

>> Inspection End.

A
B
C
D
E
F
G
I
J
K
L
M
N
O
P

SRC

B0001, B0002 DRIVER AIRBAG MODULE

< DTC/CIRCUIT DIAGNOSIS >

B0001, B0002 DRIVER AIRBAG MODULE

Description

INFOID:0000000012589474

DTC B0001, B0002 DRIVER AIRBAG MODULE

The driver air bag module is dual stage and wired to the air bag diagnosis sensor unit through the spiral cable. The air bag diagnosis sensor unit will monitor for opens and shorts in detected lines to the driver air bag module including the spiral cable.

PART LOCATION

Refer to [SRC-5, "Component Parts Location"](#).

DTC Logic

INFOID:0000000012589475

DTC DETECTION LOGIC

With CONSULT

DTC	CONSULT screen items (Trouble diagnosis content)	DTC detecting condition
B0001-13	DRIVER AIRBAG MODULE [Driver Frontal Stage 1 Deployment Control (Subdefault)]	[OPEN] Driver air bag module circuit (DR1) is open (including the spiral cable).
B0001-12		[VB-SHORT] Driver air bag module circuit (DR1) is shorted to a power supply circuit (including the spiral cable).
B0001-11		[GND-SHORT] Driver air bag module circuit (DR1) is shorted to ground (including the spiral cable).
B0001-09		[SHORT] Driver air bag module circuits (DR1) are shorted to each other (including the spiral cable).
B0001-00		[SHORT] Driver air bag module circuits (DR1) and (DR2) are shorted to each other (including the spiral cable).
B0001-1A		[SHORT] Driver air bag module circuits (DR1) are shorted to each other (including the spiral cable).
B0002-13	DRIVER AIRBAG MODULE 2 [Driver Frontal Stage 2 Deployment Control (Subdefault)]	[OPEN] Driver air bag module circuit (DR2) is open (including the spiral cable).
B0002-12		[VB-SHORT] Driver air bag module circuit (DR2) is shorted to a power supply circuit (including the spiral cable).
B0002-11		[GND-SHORT] Driver air bag module circuit (DR2) is shorted to ground (including the spiral cable).
B0002-09		[SHORT] Driver air bag module circuits (DR2) are shorted to each other (including the spiral cable).
B0002-00		[SHORT] Driver air bag module circuits (DR1) and (DR2) are shorted to each other (including the spiral cable).
B0002-1A		[SHORT] Driver air bag module circuits (DR2) are shorted to each other (including the spiral cable).

DTC CONFIRMATION PROCEDURE (With CONSULT)

1. CHECK SELF-DIAG RESULT

1. Turn ignition switch ON.
2. Check for DTC using CONSULT.

Is the DTC detected?

- YES (Current DTC)>>Refer to [SRC-47, "Diagnosis Procedure"](#).
YES (Past DTC)>>GO TO 2.
NO >> Inspection End.

2. ERASE SELF-DIAG RESULT

B0001, B0002 DRIVER AIRBAG MODULE

< DTC/CIRCUIT DIAGNOSIS >

Erase the DTC using CONSULT.

Can the DTC be erased?

- YES >> Inspection End.
NO >> Refer to [SRC-47. "Diagnosis Procedure"](#).

DTC CONFIRMATION PROCEDURE (Without CONSULT)

1.CHECK SELF-DIAG RESULT

1. Turn ignition switch ON.
2. Check the air bag warning lamp status. Refer to [SRC-14. "On Board Diagnosis Function"](#).

NOTE:

SRS will not enter diagnosis mode if no malfunction is detected in user mode.

Is the DTC detected?

- YES >> Refer to [SRC-47. "Diagnosis Procedure"](#).
NO >> Inspection End.

Diagnosis Procedure

INFOID:000000012589476

1.HARNES CONNECTOR

Visually inspect all applicable harness connectors for the following:

- Visible damage to connector or terminal
- Loose terminal
- Poor connection

NOTE:

All harness connectors should be inspected from the air bag diagnosis sensor unit to the end component (including any in-line connectors).

Is the inspection result normal?

- YES >> GO TO 2.
NO >> Perform one of the following repairs:
 - Visible damage: Replace the harness.
 - Loose terminal: Secure the terminal.
 - Poor connection: Secure the connection.

2.CONFIRM DTC

1. Reconnect all harness connectors.
2. Turn ignition switch ON.
3. Check for DTC using CONSULT.

Is DTC still current?

- YES >> GO TO 3.
NO >> Refer to [GI-45. "Intermittent Incident"](#).

3.WIRING HARNESS

Check the wiring harness for visible damage.

NOTE:

The entire wiring harness should be inspected from the air bag diagnosis sensor unit to the end component (including any in-line connectors).

Is the inspection result normal?

- YES >> GO TO 4.
NO >> Replace the harness.

4.CHECK SPIRAL CABLE CIRCUIT

1. Turn ignition switch OFF.
2. Disconnect driver air bag module harness connectors and spiral cable harness connector.
3. Check continuity between driver air bag module harness connector and spiral cable connector.

B0001, B0002 DRIVER AIRBAG MODULE

< DTC/CIRCUIT DIAGNOSIS >

Driver air bag module		Spiral cable		Continuity
Connector	Terminal	Connector	Terminal	
M92	29	M53	4	Yes
	30		3	
M93	31		3	
	32		2	

4. Check continuity between driver air bag module harness connector and ground.

Driver air bag module		Ground	Continuity
Connector	Terminal		
M92	29		No
	30		
M93	31		
	32		

Is the inspection result normal?

YES >> GO TO 5.

NO >> Replace the spiral cable. Refer to [SR-15, "Removal and Installation"](#).

5. CONFIRM DTC

1. Reconnect all harness connectors.
2. Turn ignition switch ON.
3. Check for DTC using CONSULT.

Is DTC still current?

YES >> GO TO 6.

NO >> Refer to [GI-45, "Intermittent Incident"](#).

6. AIR BAG DIAGNOSIS SENSOR UNIT

1. Replace the air bag diagnosis sensor unit. Refer to [SR-26, "Removal and Installation"](#).
2. Turn ignition switch ON.
3. Check for DTC using CONSULT.

Is DTC still current?

YES >> GO TO 7.

NO >> Clear DTC. Inspection End.

7. FRONT DRIVER AIR BAG MODULE

1. Replace the driver air bag module. Refer to [SR-12, "Removal and Installation"](#).
2. Turn ignition switch ON.
3. Check for DTC using CONSULT.

Is DTC still current?

YES >> GO TO 8.

NO >> Clear DTC. Inspection End.

8. RELATED HARNESS

Replace the related harness.

>> END

B0010, B0011 PASSENGER AIRBAG MODULE

< DTC/CIRCUIT DIAGNOSIS >

B0010, B0011 PASSENGER AIRBAG MODULE

Description

INFOID:0000000012589571

DTC B0010, B0011 PASSENGER AIR BAG MODULE

The passenger air bag module is dual stage and wired to the air bag diagnosis sensor unit. The air bag diagnosis sensor unit will monitor for opens and shorts in detected lines to the passenger air bag module.

PART LOCATION

Refer to [SRC-5, "Component Parts Location"](#).

DTC Logic

INFOID:0000000012589572

DTC DETECTION LOGIC

With CONSULT

DTC	CONSULT screen items (Trouble diagnosis content)	DTC detecting condition
B0010-13	ASSIST A/B MODULE [Passenger Frontal Stage 1 Deployment Control (Subdefault)]	[OPEN] Driver air bag module circuit (AS1) is open (including the spiral cable).
B0010-12		[VB-SHORT] Driver air bag module circuit (AS1) is shorted to a power supply circuit (including the spiral cable).
B0010-11		[GND-SHORT] Driver air bag module circuit (AS1) is shorted to ground (including the spiral cable).
B0010-09		[SHORT] Driver air bag module circuits (AS1) are shorted to each other (including the spiral cable).
B0010-1A		[SHORT] Driver air bag module circuits (AS1) are shorted to each other (including the spiral cable).
B0011-13	ASSIST A/B MODULE 2 [Passenger Frontal Stage 2 Deployment Control (Subdefault)]	[OPEN] Driver air bag module circuit (AS2) is open (including the spiral cable).
B0011-12		[VB-SHORT] Driver air bag module circuit (AS2) is shorted to a power supply circuit (including the spiral cable).
B0011-11		[GND-SHORT] Driver air bag module circuit (AS2) is shorted to ground (including the spiral cable).
B0011-09		[SHORT] Driver air bag module circuits (AS2) are shorted to each other (including the spiral cable).
B0011-1A		[SHORT] Driver air bag module circuits (AS2) are shorted to each other (including the spiral cable).

DTC CONFIRMATION PROCEDURE (With CONSULT)

1. CHECK SELF-DIAG RESULT

1. Turn ignition switch ON.
2. Check for DTC using CONSULT.

Is the DTC detected?

- YES (Current DTC)>>Refer to [SRC-50, "Diagnosis Procedure"](#).
- YES (Past DTC)>>GO TO 2.
- NO >> Inspection End.

2. ERASE SELF-DIAG RESULT

Erase the DTC using CONSULT.

Can the DTC be erased?

- YES >> Inspection End.
- NO >> Refer to [SRC-50, "Diagnosis Procedure"](#).

B0010, B0011 PASSENGER AIRBAG MODULE

< DTC/CIRCUIT DIAGNOSIS >

DTC CONFIRMATION PROCEDURE (Without CONSULT)

1. CHECK SELF-DIAG RESULT

1. Turn ignition switch ON.
2. Check the air bag warning lamp status. Refer to [SRC-14, "On Board Diagnosis Function"](#).

NOTE:

SRS will not enter diagnosis mode if no malfunction is detected in user mode.

Is the DTC detected?

- YES >> Refer to [SRC-50, "Diagnosis Procedure"](#).
NO >> Inspection End.

Diagnosis Procedure

INFOID:000000012589573

1. HARNESS CONNECTOR

Visually inspect all applicable harness connectors for the following:

- Visible damage to connector or terminal
- Loose terminal
- Poor connection

NOTE:

All harness connectors should be inspected from the air bag diagnosis sensor unit to the end component (including any in-line connectors).

Is the inspection result normal?

- YES >> GO TO 2.
NO >> Perform one of the following repairs:
 - Visible damage: Replace the harness.
 - Loose terminal: Secure the terminal.
 - Poor connection: Secure the connection.

2. CONFIRM DTC

1. Reconnect all harness connectors.
2. Turn ignition switch ON.
3. Check for DTC using CONSULT.

Is DTC still current?

- YES >> GO TO 3.
NO >> Refer to [GI-45, "Intermittent Incident"](#).

3. WIRING HARNESS

Check the wiring harness for visible damage.

NOTE:

The entire wiring harness should be inspected from the air bag diagnosis sensor unit to the end component (including any in-line connectors).

Is the inspection result normal?

- YES >> GO TO 4.
NO >> Replace the harness.

4. CONFIRM DTC

1. Reconnect all harness connectors.
2. Turn ignition switch ON.
3. Check for DTC using CONSULT.

Is DTC still current?

- YES >> GO TO 5.
NO >> Refer to [GI-45, "Intermittent Incident"](#).

5. AIR BAG DIAGNOSIS SENSOR UNIT

1. Replace the air bag diagnosis sensor unit. Refer to [SR-26, "Removal and Installation"](#).
2. Turn ignition switch ON.
3. Check for DTC using CONSULT.

Is DTC still current?

B0010, B0011 PASSENGER AIRBAG MODULE

< DTC/CIRCUIT DIAGNOSIS >

YES >> GO TO 6.
NO >> Clear DTC. Inspection End.

A

6.FRONT PASSENGER AIR BAG MODULE

1. Replace the front passenger air bag module. Refer to [SR-17. "Removal and Installation"](#).
2. Turn ignition switch ON.
3. Check for DTC using CONSULT.

B

Is DTC still current?

C

YES >> GO TO 7.
NO >> Clear DTC. Inspection End.

7.RELATED HARNESS

D

Replace the related harness.

>> **END**

E

F

G

SRC

I

J

K

L

M

N

O

P

B0020 SIDE AIRBAG MODULE LH

< DTC/CIRCUIT DIAGNOSIS >

B0020 SIDE AIRBAG MODULE LH

Description

INFOID:0000000012589574

DTC B0020 FRONT LH SIDE AIR BAG MODULE

The front LH side air bag module is wired to the air bag diagnosis sensor unit. The air bag diagnosis sensor unit will monitor for opens and shorts in detected lines to the front LH side air bag module.

PART LOCATION

Refer to [SRC-5, "Component Parts Location"](#).

DTC Logic

INFOID:0000000012589575

DTC DETECTION LOGIC

With CONSULT

DTC	CONSULT screen items (Trouble diagnosis content)	DTC detecting condition
B0020-13	SIDE A/B MODULE LH [Side Air Bag Deployment Control (Sub- default)]	[OPEN] Side air bag module circuit (S-LH) is open
B0020-12		[VB-SHORT] Side air bag module circuit (S-LH) is shorted to a power supply circuit (including the spiral cable).
B0020-11		[GND-SHORT] Side air bag module circuit (S-LH) is shorted to ground (including the spiral cable).
B0020-09		[SHORT] Side air bag module circuits (S-LH) are shorted to each other (including the spiral cable).
B0020-1A		[SHORT] Side air bag module circuits (S-LH) are shorted to each other (including the spiral cable).

DTC CONFIRMATION PROCEDURE (With CONSULT)

1. CHECK SELF-DIAG RESULT

1. Turn ignition switch ON.
2. Check for DTC using CONSULT.

Is the DTC detected?

YES (Current DTC)>>Refer to [SRC-53, "Diagnosis Procedure"](#).

YES (Past DTC)>>GO TO 2.

NO >> Inspection End.

2. ERASE SELF-DIAG RESULT

Erase the DTC using CONSULT.

Can the DTC be erased?

YES >> Inspection End.

NO >> Refer to [SRC-53, "Diagnosis Procedure"](#).

DTC CONFIRMATION PROCEDURE (Without CONSULT)

1. CHECK SELF-DIAG RESULT

1. Turn ignition switch ON.
2. Check the air bag warning lamp status. Refer to [SRC-14, "On Board Diagnosis Function"](#).

NOTE:

SRS will not enter diagnosis mode if no malfunction is detected in user mode.

Is the DTC detected?

YES >> Refer to [SRC-53, "Diagnosis Procedure"](#).

NO >> Inspection End.

B0020 SIDE AIRBAG MODULE LH

< DTC/CIRCUIT DIAGNOSIS >

Diagnosis Procedure

INFOID:000000012589576

1. HARNESS CONNECTOR

Visually inspect all applicable harness connectors for the following:

- Visible damage to connector or terminal
- Loose terminal
- Poor connection

NOTE:

All harness connectors should be inspected from the air bag diagnosis sensor unit to the end component (including any in-line connectors).

Is the inspection result normal?

YES >> GO TO 2.

- NO >> Perform one of the following repairs:
- Visible damage: Replace the harness.
 - Loose terminal: Secure the terminal.
 - Poor connection: Secure the connection.

2. CONFIRM DTC

1. Reconnect all harness connectors.
2. Turn ignition switch ON.
3. Check for DTC using CONSULT.

Is DTC still current?

YES >> GO TO 3.

NO >> Refer to [GI-45, "Intermittent Incident"](#).

3. WIRING HARNESS

Check the wiring harness for visible damage.

NOTE:

The entire wiring harness should be inspected from the air bag diagnosis sensor unit to the end component (including any in-line connectors).

Is the inspection result normal?

YES >> GO TO 4.

NO >> Replace the harness.

4. CONFIRM DTC

1. Reconnect all harness connectors.
2. Turn ignition switch ON.
3. Check for DTC using CONSULT.

Is DTC still current?

YES >> GO TO 5.

NO >> Refer to [GI-45, "Intermittent Incident"](#).

5. AIR BAG DIAGNOSIS SENSOR UNIT

1. Replace the air bag diagnosis sensor unit. Refer to [SR-26, "Removal and Installation"](#).
2. Turn ignition switch ON.
3. Check for DTC using CONSULT.

Is DTC still current?

YES >> GO TO 6.

NO >> Clear DTC. Inspection End.

6. SIDE AIR BAG MODULE LH

1. Replace the side air bag module LH. Refer to [SR-21, "Removal and Installation"](#).
2. Turn ignition switch ON.
3. Check for DTC using CONSULT.

Is DTC still current?

YES >> GO TO 7.

NO >> Clear DTC. Inspection End.

A
B
C
D
E
F
G
I
J
K
L
M
N
O
P

SRC

B0020 SIDE AIRBAG MODULE LH

< DTC/CIRCUIT DIAGNOSIS >

7. RELATED HARNESS

Replace the related harness.

>> END

B0021 SIDE CURTAIN AIR BAG MODULE LH

< DTC/CIRCUIT DIAGNOSIS >

B0021 SIDE CURTAIN AIR BAG MODULE LH

Description

INFOID:0000000012589580

DTC B0021 LH SIDE CURTAIN AIR BAG MODULE

The LH side curtain air bag module is wired to the air bag diagnosis sensor unit. The air bag diagnosis sensor unit will monitor for opens and shorts in detected lines to the LH side curtain air bag module.

PART LOCATION

Refer to [SRC-5, "Component Parts Location"](#).

DTC Logic

INFOID:0000000012589581

DTC DETECTION LOGIC

With CONSULT

DTC	CONSULT screen items (Trouble diagnosis content)	DTC detecting condition
B0021-13	CURTAIN A/B MODULE LH [Side Curtain Air Bag Deployment Control (Subdefault)]	[OPEN] Side curtain air bag module circuit (C-LH1) is open
B0021-12		[VB-SHORT] Side curtain air bag module circuit (C-LH1) is shorted to a power supply circuit (including the spiral cable).
B0021-11		[GND-SHORT] Side curtain air bag module circuit (C-LH1) is shorted to ground (including the spiral cable).
B0021-09		[SHORT] Side curtain air bag module circuits (C-LH1) are shorted to each other (including the spiral cable).
B0021-1A		[SHORT] Side curtain air bag module circuits (C-LH1) are shorted to each other (including the spiral cable).

DTC CONFIRMATION PROCEDURE (With CONSULT)

1. CHECK SELF-DIAG RESULT

1. Turn ignition switch ON.
2. Check for DTC using CONSULT.

Is the DTC detected?

YES (Current DTC)>>Refer to [SRC-56, "Diagnosis Procedure"](#).

YES (Past DTC)>>GO TO 2.

NO >> Inspection End.

2. ERASE SELF-DIAG RESULT

Erase the DTC using CONSULT.

Can the DTC be erased?

YES >> Inspection End.

NO >> Refer to [SRC-56, "Diagnosis Procedure"](#).

DTC CONFIRMATION PROCEDURE (Without CONSULT)

1. CHECK SELF-DIAG RESULT

1. Turn ignition switch ON.
2. Check the air bag warning lamp status. Refer to [SRC-14, "On Board Diagnosis Function"](#).

NOTE:

SRS will not enter diagnosis mode if no malfunction is detected in user mode.

Is the DTC detected?

YES >> Refer to [SRC-56, "Diagnosis Procedure"](#).

NO >> Inspection End.

B0021 SIDE CURTAIN AIR BAG MODULE LH

< DTC/CIRCUIT DIAGNOSIS >

Diagnosis Procedure

INFOID:000000012589582

1. HARNESS CONNECTOR

Visually inspect all applicable harness connectors for the following:

- Visible damage to connector or terminal
- Loose terminal
- Poor connection

NOTE:

All harness connectors should be inspected from the air bag diagnosis sensor unit to the end component (including any in-line connectors).

Is the inspection result normal?

YES >> GO TO 2.

- NO >> Perform one of the following repairs:
- Visible damage: Replace the harness.
 - Loose terminal: Secure the terminal.
 - Poor connection: Secure the connection.

2. CONFIRM DTC

1. Reconnect all harness connectors.
2. Turn ignition switch ON.
3. Check for DTC using CONSULT.

Is DTC still current?

YES >> GO TO 3.

NO >> Refer to [GI-45, "Intermittent Incident"](#).

3. WIRING HARNESS

Check the wiring harness for visible damage.

NOTE:

The entire wiring harness should be inspected from the air bag diagnosis sensor unit to the end component (including any in-line connectors).

Is the inspection result normal?

YES >> GO TO 4.

NO >> Replace the harness.

4. CONFIRM DTC

1. Reconnect all harness connectors.
2. Turn ignition switch ON.
3. Check for DTC using CONSULT.

Is DTC still current?

YES >> GO TO 5.

NO >> Refer to [GI-45, "Intermittent Incident"](#).

5. AIR BAG DIAGNOSIS SENSOR UNIT

1. Replace the air bag diagnosis sensor unit. Refer to [SR-26, "Removal and Installation"](#).
2. Turn ignition switch ON.
3. Check for DTC using CONSULT.

Is DTC still current?

YES >> GO TO 6.

NO >> Clear DTC. Inspection End.

6. SIDE CURTAIN AIR BAG MODULE LH

1. Replace the side curtain air bag module LH. Refer to [SR-19, "Removal and Installation"](#).
2. Turn ignition switch ON.
3. Check for DTC using CONSULT.

Is DTC still current?

YES >> GO TO 7.

NO >> Clear DTC. Inspection End.

B0021 SIDE CURTAIN AIR BAG MODULE LH

< DTC/CIRCUIT DIAGNOSIS >

7. RELATED HARNESS

Replace the related harness.

>> END

A

B

C

D

E

F

G

SRC

I

J

K

L

M

N

O

P

B0028 SIDE AIRBAG MODULE RH

< DTC/CIRCUIT DIAGNOSIS >

B0028 SIDE AIRBAG MODULE RH

Description

INFOID:0000000012589577

DTC B0028 FRONT RH SIDE AIR BAG MODULE

The front RH side air bag module is wired to the air bag diagnosis sensor unit. The air bag diagnosis sensor unit will monitor for opens and shorts in detected lines to the front RH side air bag module.

PART LOCATION

Refer to [SRC-5, "Component Parts Location"](#).

DTC Logic

INFOID:0000000012589578

DTC DETECTION LOGIC

With CONSULT

DTC	CONSULT screen items (Trouble diagnosis content)	DTC detecting condition
B0028-13	SIDE AIRBAG MODULE RH [Side Air Bag Deployment Control (Sub- default)]	[OPEN] Side air bag module circuit (S-RH) is open
B0028-12		[VB-SHORT] Side air bag module circuit (S-RH) is shorted to a power supply circuit (including the spiral cable).
B0028-11		[GND-SHORT] Side air bag module circuit (S-RH) is shorted to ground (including the spiral cable).
B0028-09		[SHORT] Side air bag module circuits (S-RH) are shorted to each other (including the spiral cable).
B0028-1A		[SHORT] Side air bag module circuits (S-RH) are shorted to each other (including the spiral cable).

DTC CONFIRMATION PROCEDURE (With CONSULT)

1. CHECK SELF-DIAG RESULT

1. Turn ignition switch ON.
2. Check for DTC using CONSULT.

Is the DTC detected?

YES (Current DTC)>>Refer to [SRC-59, "Diagnosis Procedure"](#).

YES (Past DTC)>>GO TO 2.

NO >> Inspection End.

2. ERASE SELF-DIAG RESULT

Erase the DTC using CONSULT.

Can the DTC be erased?

YES >> Inspection End.

NO >> Refer to [SRC-59, "Diagnosis Procedure"](#).

DTC CONFIRMATION PROCEDURE (Without CONSULT)

1. CHECK SELF-DIAG RESULT

1. Turn ignition switch ON.
2. Check the air bag warning lamp status. Refer to [SRC-14, "On Board Diagnosis Function"](#).

NOTE:

SRS will not enter diagnosis mode if no malfunction is detected in user mode.

Is the DTC detected?

YES >> Refer to [SRC-59, "Diagnosis Procedure"](#).

NO >> Inspection End.

B0028 SIDE AIRBAG MODULE RH

< DTC/CIRCUIT DIAGNOSIS >

Diagnosis Procedure

INFOID:000000012589579

1. HARNESS CONNECTOR

Visually inspect all applicable harness connectors for the following:

- Visible damage to connector or terminal
- Loose terminal
- Poor connection

NOTE:

All harness connectors should be inspected from the air bag diagnosis sensor unit to the end component (including any in-line connectors).

Is the inspection result normal?

YES >> GO TO 2.

NO >> Perform one of the following repairs:

- Visible damage: Replace the harness.
- Loose terminal: Secure the terminal.
- Poor connection: Secure the connection.

2. CONFIRM DTC

1. Reconnect all harness connectors.
2. Turn ignition switch ON.
3. Check for DTC using CONSULT.

Is DTC still current?

YES >> GO TO 3.

NO >> Refer to [GI-45, "Intermittent Incident"](#).

3. WIRING HARNESS

Check the wiring harness for visible damage.

NOTE:

The entire wiring harness should be inspected from the air bag diagnosis sensor unit to the end component (including any in-line connectors).

Is the inspection result normal?

YES >> GO TO 4.

NO >> Replace the harness.

4. CONFIRM DTC

1. Reconnect all harness connectors.
2. Turn ignition switch ON.
3. Check for DTC using CONSULT.

Is DTC still current?

YES >> GO TO 5.

NO >> Refer to [GI-45, "Intermittent Incident"](#).

5. AIR BAG DIAGNOSIS SENSOR UNIT

1. Replace the air bag diagnosis sensor unit. Refer to [SR-26, "Removal and Installation"](#).
2. Turn ignition switch ON.
3. Check for DTC using CONSULT.

Is DTC still current?

YES >> GO TO 6.

NO >> Clear DTC. Inspection End.

6. SIDE AIR BAG MODULE RH

1. Replace the side air bag module RH. Refer to [SR-21, "Removal and Installation"](#).
2. Turn ignition switch ON.
3. Check for DTC using CONSULT.

Is DTC still current?

YES >> GO TO 7.

NO >> Clear DTC. Inspection End.

A

B

C

D

E

F

G

SRC

I

J

K

L

M

N

O

P

B0028 SIDE AIRBAG MODULE RH

< DTC/CIRCUIT DIAGNOSIS >

7.RELATED HARNESS

Replace the related harness.

>> END

B0029 SIDE CURTAIN AIR BAG MODULE RH

< DTC/CIRCUIT DIAGNOSIS >

B0029 SIDE CURTAIN AIR BAG MODULE RH

Description

INFOID:0000000012589583

DTC B0029 RH SIDE CURTAIN AIR BAG MODULE

The RH side curtain air bag module is wired to the air bag diagnosis sensor unit. The air bag diagnosis sensor unit will monitor for opens and shorts in detected lines to the RH side curtain air bag module.

PART LOCATION

Refer to [SRC-5, "Component Parts Location"](#).

DTC Logic

INFOID:0000000012589584

DTC DETECTION LOGIC

With CONSULT

DTC	CONSULT screen items (Trouble diagnosis content)	DTC detecting condition
B0029-13	CURTAIN A/B MODULE RH [Side Air Bag Deployment Control (Sub- default)]	[OPEN] Side air bag module circuit (C-RH1) is open
B0029-12		[VB-SHORT] Side air bag module circuit (C-RH1) is shorted to a power supply circuit (including the spiral cable).
B0029-11		[GND-SHORT] Side air bag module circuit (C-RH1) is shorted to ground (including the spiral cable).
B0029-09		[SHORT] Side air bag module circuits (C-RH1) are shorted to each other (including the spiral cable).
B0029-1A		[SHORT] Side air bag module circuits (C-RH1) are shorted to each other (including the spiral cable).

DTC CONFIRMATION PROCEDURE (With CONSULT)

1. CHECK SELF-DIAG RESULT

1. Turn ignition switch ON.
2. Check for DTC using CONSULT.

Is the DTC detected?

YES (Current DTC)>>Refer to [SRC-62, "Diagnosis Procedure"](#).

YES (Past DTC)>>GO TO 2.

NO >> Inspection End.

2. ERASE SELF-DIAG RESULT

Erase the DTC using CONSULT.

Can the DTC be erased?

YES >> Inspection End.

NO >> Refer to [SRC-62, "Diagnosis Procedure"](#).

DTC CONFIRMATION PROCEDURE (Without CONSULT)

1. CHECK SELF-DIAG RESULT

1. Turn ignition switch ON.
2. Check the air bag warning lamp status. Refer to [SRC-14, "On Board Diagnosis Function"](#).

NOTE:

SRS will not enter diagnosis mode if no malfunction is detected in user mode.

Is the DTC detected?

YES >> Refer to [SRC-62, "Diagnosis Procedure"](#).

NO >> Inspection End.

B0029 SIDE CURTAIN AIR BAG MODULE RH

< DTC/CIRCUIT DIAGNOSIS >

Diagnosis Procedure

INFOID:000000012589585

1. HARNESS CONNECTOR

Visually inspect all applicable harness connectors for the following:

- Visible damage to connector or terminal
- Loose terminal
- Poor connection

NOTE:

All harness connectors should be inspected from the air bag diagnosis sensor unit to the end component (including any in-line connectors).

Is the inspection result normal?

YES >> GO TO 2.

- NO >> Perform one of the following repairs:
- Visible damage: Replace the harness.
 - Loose terminal: Secure the terminal.
 - Poor connection: Secure the connection.

2. CONFIRM DTC

1. Reconnect all harness connectors.
2. Turn ignition switch ON.
3. Check for DTC using CONSULT.

Is DTC still current?

YES >> GO TO 3.

NO >> Refer to [GI-45, "Intermittent Incident"](#).

3. WIRING HARNESS

Check the wiring harness for visible damage.

NOTE:

The entire wiring harness should be inspected from the air bag diagnosis sensor unit to the end component (including any in-line connectors).

Is the inspection result normal?

YES >> GO TO 4.

NO >> Replace the harness.

4. CONFIRM DTC

1. Reconnect all harness connectors.
2. Turn ignition switch ON.
3. Check for DTC using CONSULT.

Is DTC still current?

YES >> GO TO 5.

NO >> Refer to [GI-45, "Intermittent Incident"](#).

5. AIR BAG DIAGNOSIS SENSOR UNIT

1. Replace the air bag diagnosis sensor unit. Refer to [SR-26, "Removal and Installation"](#).
2. Turn ignition switch ON.
3. Check for DTC using CONSULT.

Is DTC still current?

YES >> GO TO 6.

NO >> Clear DTC. Inspection End.

6. SIDE CURTAIN AIR BAG MODULE RH

1. Replace the side curtain air bag module RH. Refer to [SR-19, "Removal and Installation"](#).
2. Turn ignition switch ON.
3. Check for DTC using CONSULT.

Is DTC still current?

YES >> GO TO 7.

NO >> Clear DTC. Inspection End.

B0029 SIDE CURTAIN AIR BAG MODULE RH

< DTC/CIRCUIT DIAGNOSIS >

7. RELATED HARNESS

Replace the related harness.

>> END

A

B

C

D

E

F

G

SRC

I

J

K

L

M

N

O

P

B0091 FRONT SIDE AIR BAG SATELLITE SENSOR LH

< DTC/CIRCUIT DIAGNOSIS >

B0091 FRONT SIDE AIR BAG SATELLITE SENSOR LH

Description

INFOID:000000012589654

DTC B0091 FRONT SATELLITE SENSOR LH

The front side air bag satellite sensor LH is wired to the air bag diagnosis sensor unit. The air bag diagnosis sensor unit will monitor the front side air bag satellite sensor LH for internal failures and its circuits for communication errors.

PART LOCATION

Refer to [SRC-5, "Component Parts Location"](#).

DTC Logic

INFOID:000000012589655

DTC DETECTION LOGIC

With CONSULT

DTC	CONSULT screen items (Trouble diagnosis content)	DTC detecting condition
B0091-93	B-PILLAR SAT SEN LH	[RESET]
B0091-81		[COMM ERR]
B0091-88		[OPEN]
B0091-86		[UNMATCH]
B0091-28		[OFFSET ERR]
B0091-25		[SELF-DIAG ERR]
B0091-23		[LOWER LIMIT ERR]
B0091-24		[UPPER LIMIT ERR]
B0091-11		[GND-SHORT]

DTC CONFIRMATION PROCEDURE (With CONSULT)

1. CHECK SELF-DIAG RESULT

1. Turn ignition switch ON.
2. Check for DTC using CONSULT.

Is the DTC detected?

- YES (Current DTC)>>Refer to [SRC-65, "Diagnosis Procedure"](#).
YES (Past DTC)>>GO TO 2.
NO >> Inspection End.

2. ERASE SELF-DIAG RESULT

Erase the DTC using CONSULT.

Can the DTC be erased?

- YES >> Inspection End.
NO >> Refer to [SRC-65, "Diagnosis Procedure"](#).

DTC CONFIRMATION PROCEDURE (Without CONSULT)

1. CHECK SELF-DIAG RESULT

1. Turn ignition switch ON.
2. Check the air bag warning lamp status. Refer to [SRC-14, "On Board Diagnosis Function"](#).

NOTE:

SRS will not enter diagnosis mode if no malfunction is detected in user mode.

B0091 FRONT SIDE AIR BAG SATELLITE SENSOR LH

< DTC/CIRCUIT DIAGNOSIS >

Is the DTC detected?

- YES >> Refer to [SRC-65, "Diagnosis Procedure"](#).
NO >> Inspection End.

Diagnosis Procedure

INFOID:000000012589656

1. HARNESS CONNECTOR

Visually inspect all applicable harness connectors for the following:

- Visible damage to connector or terminal
- Loose terminal
- Poor connection

NOTE:

All harness connectors should be inspected from the air bag diagnosis sensor unit to the end component (including any in-line connectors).

Is the inspection result normal?

- YES >> GO TO 2.
NO >> Perform one of the following repairs:
- Visible damage: Replace the harness.
 - Loose terminal: Secure the terminal.
 - Poor connection: Secure the connection.

2. CONFIRM DTC

1. Reconnect all harness connectors.
2. Turn ignition switch ON.
3. Check for DTC using CONSULT.

Is DTC still current?

- YES >> GO TO 3.
NO >> Refer to [GI-45, "Intermittent Incident"](#).

3. WIRING HARNESS

Check the wiring harness for visible damage.

NOTE:

The entire wiring harness should be inspected from the air bag diagnosis sensor unit to the end component (including any in-line connectors).

Is the inspection result normal?

- YES >> GO TO 4.
NO >> Replace the harness.

4. CONFIRM DTC

1. Reconnect all harness connectors.
2. Turn ignition switch ON.
3. Check for DTC using CONSULT.

Is DTC still current?

- YES >> GO TO 5.
NO >> Refer to [GI-45, "Intermittent Incident"](#).

5. FRONT SIDE AIR BAG SATELLITE SENSOR LH

1. Replace the front side air bag satellite sensor LH. Refer to [SR-24, "Removal and Installation"](#).
2. Turn ignition switch ON.
3. Check for DTC using CONSULT.

Is DTC still current?

- YES >> GO TO 6.
NO >> Clear DTC. Inspection End.

6. AIR BAG DIAGNOSIS SENSOR UNIT

1. Replace the air bag diagnosis sensor unit. Refer to [SR-26, "Removal and Installation"](#).
2. Turn ignition switch ON.
3. Check for DTC using CONSULT.

A
B
C
D
E
F
G
I
J
K
L
M
N
O
P

SRC

B0091 FRONT SIDE AIR BAG SATELLITE SENSOR LH

< DTC/CIRCUIT DIAGNOSIS >

Is DTC still current?

YES >> GO TO 7.

NO >> Clear DTC. Inspection End.

7.RELATED HARNESS

Replace the related harness.

>> **END**

B0092 REAR SIDE AIR BAG SATELLITE SENSOR LH

< DTC/CIRCUIT DIAGNOSIS >

B0092 REAR SIDE AIR BAG SATELLITE SENSOR LH

Description

INFOID:0000000012589660

DTC B0092 REAR SATELLITE SENSOR LH

The rear side air bag satellite sensor LH is wired to the air bag diagnosis sensor unit. The air bag diagnosis sensor unit will monitor the rear side air bag satellite sensor LH for internal failures and its circuits for communication errors.

PART LOCATION

Refer to [SRC-5, "Component Parts Location"](#).

DTC Logic

INFOID:0000000012589661

DTC DETECTION LOGIC

With CONSULT

DTC	CONSULT screen items (Trouble diagnosis content)	DTC detecting condition
B0092-93	[RESET]	C-pillar satellite sensor LH malfunction
B0092-81	[COMM ERR]	C-pillar satellite sensor LH communication error
B0092-88	[OPEN]	C-pillar satellite sensor LH circuit is open
B0092-86	[UNMATCH]	C-pillar satellite sensor LH is out of specification
B0092-28	[OFFSET ERR]	C-pillar satellite sensor LH malfunction
B0092-25	[SELF-DIAG ERR]	C-pillar satellite sensor LH malfunction
B0092-23	[LOWER LIMIT ERR]	C-pillar satellite sensor LH malfunction
B0092-24	[UPPER LIMIT ERR]	C-pillar satellite sensor LH malfunction
B0092-11	[GND-SHORT]	C-pillar satellite sensor LH circuit is shorted to ground

DTC CONFIRMATION PROCEDURE (With CONSULT)

1. CHECK SELF-DIAG RESULT

1. Turn ignition switch ON.
2. Check for DTC using CONSULT.

Is the DTC detected?

YES (Current DTC)>>Refer to [SRC-68, "Diagnosis Procedure"](#).

YES (Past DTC)>>GO TO 2.

NO >> Inspection End.

2. ERASE SELF-DIAG RESULT

Erase the DTC using CONSULT.

Can the DTC be erased?

YES >> Inspection End.

NO >> Refer to [SRC-68, "Diagnosis Procedure"](#).

DTC CONFIRMATION PROCEDURE (Without CONSULT)

1. CHECK SELF-DIAG RESULT

1. Turn ignition switch ON.
2. Check the air bag warning lamp status. Refer to [SRC-14, "On Board Diagnosis Function"](#).

NOTE:

SRS will not enter diagnosis mode if no malfunction is detected in user mode.

B0092 REAR SIDE AIR BAG SATELLITE SENSOR LH

< DTC/CIRCUIT DIAGNOSIS >

Is the DTC detected?

- YES >> Refer to [SRC-68, "Diagnosis Procedure"](#).
- NO >> Inspection End.

Diagnosis Procedure

INFOID:000000012589662

1. HARNESS CONNECTOR

Visually inspect all applicable harness connectors for the following:

- Visible damage to connector or terminal
- Loose terminal
- Poor connection

NOTE:

All harness connectors should be inspected from the air bag diagnosis sensor unit to the end component (including any in-line connectors).

Is the inspection result normal?

- YES >> GO TO 2.
- NO >> Perform one of the following repairs:
 - Visible damage: Replace the harness.
 - Loose terminal: Secure the terminal.
 - Poor connection: Secure the connection.

2. CONFIRM DTC

1. Reconnect all harness connectors.
2. Turn ignition switch ON.
3. Check for DTC using CONSULT.

Is DTC still current?

- YES >> GO TO 3.
- NO >> Refer to [GI-45, "Intermittent Incident"](#).

3. WIRING HARNESS

Check the wiring harness for visible damage.

NOTE:

The entire wiring harness should be inspected from the air bag diagnosis sensor unit to the end component (including any in-line connectors).

Is the inspection result normal?

- YES >> GO TO 4.
- NO >> Replace the harness.

4. CONFIRM DTC

1. Reconnect all harness connectors.
2. Turn ignition switch ON.
3. Check for DTC using CONSULT.

Is DTC still current?

- YES >> GO TO 5.
- NO >> Refer to [GI-45, "Intermittent Incident"](#).

5. REAR SIDE AIR BAG SATELLITE SENSOR LH

1. Replace the rear side air bag satellite sensor LH. Refer to [SR-24, "Removal and Installation"](#).
2. Turn ignition switch ON.
3. Check for DTC using CONSULT.

Is DTC still current?

- YES >> GO TO 6.
- NO >> Clear DTC. Inspection End.

6. AIR BAG DIAGNOSIS SENSOR UNIT

1. Replace the air bag diagnosis sensor unit. Refer to [SR-26, "Removal and Installation"](#).
2. Turn ignition switch ON.
3. Check for DTC using CONSULT.

B0092 REAR SIDE AIR BAG SATELLITE SENSOR LH

< DTC/CIRCUIT DIAGNOSIS >

Is DTC still current?

YES >> GO TO 7.

NO >> Clear DTC. Inspection End.

7.RELATED HARNESS

Replace the related harness.

>> **END**

A

B

C

D

E

F

G

SRC

I

J

K

L

M

N

O

P

B0093 FRONT DOOR SATELLITE SENSOR LH

< DTC/CIRCUIT DIAGNOSIS >

B0093 FRONT DOOR SATELLITE SENSOR LH

Description

INFOID:000000012620374

DTC B0093 FRONT DOOR SATELLITE SENSOR LH

The front door satellite sensor LH is wired to the air bag diagnosis sensor unit. The air bag diagnosis sensor unit will monitor the front door satellite sensor LH for internal failures and its circuits for communication errors.

PART LOCATION

Refer to [SRC-5, "Component Parts Location"](#).

DTC Logic

INFOID:000000012620375

With CONSULT

DTC	CONSULT screen items (Trouble diagnosis content)	DTC detecting condition
B0093-93	[RESET]	Front door satellite sensor LH malfunctioned.
B0093-81	[COMM ERR]	Front door satellite sensor LH communication error
B0093-88	[OPEN]	Front door satellite sensor LH circuit is shorted to ground
B0093-86	[UNMATCH]	Front door satellite sensor LH is out of specification
B0093-28	[OFFSET ERR]	Front door satellite sensor LH malfunction
B0093-25	[SELF-DIAG ERR]	Front door satellite sensor LH malfunction
B0093-23	[LOWER LIMIT ERR]	Front door satellite sensor LH malfunction
B0093-24	[UPPER LIMIT ERR]	Front door satellite sensor LH malfunction
B0093-11	[GND-SHORT]	Front door satellite sensor LH circuit is shorted to ground

DTC CONFIRMATION PROCEDURE (With CONSULT)

1. CHECK SELF-DIAG RESULT

1. Turn ignition switch ON.
2. Check for DTC using CONSULT.

Is the DTC detected?

YES (Current DTC)>>Refer to [SRC-71, "Diagnosis Procedure"](#).

YES (Past DTC)>>GO TO 2.

NO >> Inspection End.

2. ERASE SELF-DIAG RESULT

Erase the DTC using CONSULT.

Can the DTC be erased?

YES >> Inspection End.

NO >> Refer to [SRC-71, "Diagnosis Procedure"](#).

DTC CONFIRMATION PROCEDURE (Without CONSULT)

1. CHECK SELF-DIAG RESULT

1. Turn ignition switch ON.
2. Check the air bag warning lamp status. Refer to [SRC-14, "On Board Diagnosis Function"](#).

NOTE:

SRS will not enter diagnosis mode if no malfunction is detected in user mode.

Is the DTC detected?

YES >> Refer to [SRC-71, "Diagnosis Procedure"](#).

NO >> Inspection End.

B0093 FRONT DOOR SATELLITE SENSOR LH

< DTC/CIRCUIT DIAGNOSIS >

Diagnosis Procedure

INFOID:000000012620376

1. HARNESS CONNECTOR

Visually inspect all applicable harness connectors for the following:

- Visible damage to connector or terminal
- Loose terminal
- Poor connection

NOTE:

All harness connectors should be inspected from the air bag diagnosis sensor unit to the end component (including any in-line connectors).

Is the inspection result normal?

YES >> GO TO 2.

- NO >> Perform one of the following repairs:
- Visible damage: Replace the harness.
 - Loose terminal: Secure the terminal.
 - Poor connection: Secure the connection.

2. CONFIRM DTC

1. Reconnect all harness connectors.
2. Turn ignition switch ON.
3. Check for DTC using CONSULT.

Is DTC still current?

YES >> GO TO 3.

NO >> Refer to [GI-45, "Intermittent Incident"](#).

3. WIRING HARNESS

Check the wiring harness for visible damage.

NOTE:

The entire wiring harness should be inspected from the air bag diagnosis sensor unit to the end component (including any in-line connectors).

Is the inspection result normal?

YES >> GO TO 4.

NO >> Replace the harness.

4. CONFIRM DTC

1. Reconnect all harness connectors.
2. Turn ignition switch ON.
3. Check for DTC using CONSULT.

Is DTC still current?

YES >> GO TO 5.

NO >> Refer to [GI-45, "Intermittent Incident"](#).

5. FRONT DOOR SATELLITE SENSOR LH

1. Replace the front door satellite sensor LH. Refer to [SR-24, "Removal and Installation"](#).
2. Turn ignition switch ON.
3. Check for DTC using CONSULT.

Is DTC still current?

YES >> GO TO 6.

NO >> Clear DTC. Inspection End.

6. AIR BAG DIAGNOSIS SENSOR UNIT

1. Replace the air bag diagnosis sensor unit. Refer to [SR-26, "Removal and Installation"](#).
2. Turn ignition switch ON.
3. Check for DTC using CONSULT.

Is DTC still current?

YES >> GO TO 7.

NO >> Clear DTC. Inspection End.

A

B

C

D

E

F

G

SRC

I

J

K

L

M

N

O

P

B0093 FRONT DOOR SATELLITE SENSOR LH

< DTC/CIRCUIT DIAGNOSIS >

7.RELATED HARNESS

Replace the related harness.

>> END

B0094 CRASH ZONE SENSOR

< DTC/CIRCUIT DIAGNOSIS >

B0094 CRASH ZONE SENSOR

Description

INFOID:0000000012589651

DTC B0094 CRASH ZONE SENSOR

The crash zone sensor is wired to the air bag diagnosis sensor unit. The air bag diagnosis sensor unit will monitor for opens and shorts in detected lines to the crash zone sensor.

PART LOCATION

Refer to [SRC-5, "Component Parts Location"](#).

DTC Logic

INFOID:0000000012589652

DTC DETECTION LOGIC

With CONSULT

DTC	CONSULT screen items (Trouble diagnosis content)	DTC detecting condition
B0094-93	[RESET]	Crash zone sensor malfunction
B0094-81	[COMM ERR]	Crash zone sensor communication error
B0094-88	[OPEN]	Crash zone sensor circuit is open
B0094-86	[UNMATCH]	Crash zone sensor is out of specification
B0094-28	[OFFSET ERR]	Crash zone sensor malfunction
B0094-25	[SELF-DIAG ERR]	Crash zone sensor malfunction
B0094-23	[LOWER LIMIT ERR]	Crash zone sensor malfunction
B0094-24	[UPPER LIMIT ERR]	Crash zone sensor malfunction
B0094-11	[GND-SHORT]	Crash zone sensor circuit is shorted to ground

DTC CONFIRMATION PROCEDURE (With CONSULT)

1. CHECK SELF-DIAG RESULT

1. Turn ignition switch ON.
2. Check for DTC using CONSULT.

Is the DTC detected?

YES (Current DTC)>>Refer to [SRC-74, "Diagnosis Procedure"](#).

YES (Past DTC)>>GO TO 2.

NO >> Inspection End.

2. ERASE SELF-DIAG RESULT

Erase the DTC using CONSULT.

Can the DTC be erased?

YES >> Inspection End.

NO >> Refer to [SRC-74, "Diagnosis Procedure"](#).

DTC CONFIRMATION PROCEDURE (Without CONSULT)

1. CHECK SELF-DIAG RESULT

1. Turn ignition switch ON.
2. Check the air bag warning lamp status. Refer to [SRC-14, "On Board Diagnosis Function"](#).

NOTE:

SRS will not enter diagnosis mode if no malfunction is detected in user mode.

Is the DTC detected?

B0094 CRASH ZONE SENSOR

< DTC/CIRCUIT DIAGNOSIS >

- YES >> Refer to [SRC-74, "Diagnosis Procedure"](#).
NO >> Inspection End.

Diagnosis Procedure

INFOID:0000000012589653

1. HARNESS CONNECTOR

Visually inspect all applicable harness connectors for the following:

- Visible damage to connector or terminal
- Loose terminal
- Poor connection

NOTE:

All harness connectors should be inspected from the air bag diagnosis sensor unit to the end component (including any in-line connectors).

Is the inspection result normal?

- YES >> GO TO 2.
NO >> Perform one of the following repairs:
- Visible damage: Replace the harness.
 - Loose terminal: Secure the terminal.
 - Poor connection: Secure the connection.

2. CONFIRM DTC

1. Reconnect all harness connectors.
2. Turn ignition switch ON.
3. Check for DTC using CONSULT.

Is DTC still current?

- YES >> GO TO 3.
NO >> Refer to [GI-45, "Intermittent Incident"](#).

3. WIRING HARNESS

Check the wiring harness for visible damage.

NOTE:

The entire wiring harness should be inspected from the air bag diagnosis sensor unit to the end component (including any in-line connectors).

Is the inspection result normal?

- YES >> GO TO 4.
NO >> Replace the harness.

4. CONFIRM DTC

1. Reconnect all harness connectors.
2. Turn ignition switch ON.
3. Check for DTC using CONSULT.

Is DTC still current?

- YES >> GO TO 5.
NO >> Refer to [GI-45, "Intermittent Incident"](#).

5. CRASH ZONE SENSOR

1. Replace the crash zone sensor. Refer to [SR-22, "Removal and Installation"](#).
2. Turn ignition switch ON.
3. Check for DTC using CONSULT.

Is DTC still current?

- YES >> GO TO 6.
NO >> Clear DTC. Inspection End.

6. AIR BAG DIAGNOSIS SENSOR UNIT

1. Replace the air bag diagnosis sensor unit. Refer to [SR-26, "Removal and Installation"](#).
2. Turn ignition switch ON.
3. Check for DTC using CONSULT.

Is DTC still current?

B0094 CRASH ZONE SENSOR

< DTC/CIRCUIT DIAGNOSIS >

YES >> GO TO 7.

NO >> Clear DTC. Inspection End.

7. RELATED HARNESS

Replace the related harness.

>> **END**

A

B

C

D

E

F

G

SRC

I

J

K

L

M

N

O

P

B0096 FRONT SIDE AIR BAG SATELLITE SENSOR RH

< DTC/CIRCUIT DIAGNOSIS >

B0096 FRONT SIDE AIR BAG SATELLITE SENSOR RH

Description

INFOID:000000012589657

DTC B0096 FRONT SATELLITE SENSOR RH

The front side air bag satellite sensor RH is wired to the air bag diagnosis sensor unit. The air bag diagnosis sensor unit will monitor the front side air bag satellite sensor RH for internal failures and its circuits for communication errors.

PART LOCATION

Refer to [SRC-5, "Component Parts Location"](#).

DTC Logic

INFOID:000000012589658

DTC DETECTION LOGIC

With CONSULT

DTC	CONSULT screen items (Trouble diagnosis content)	DTC detecting condition
B0096-93	[RESET]	B-pillar satellite sensor RH malfunction
B0096-81	[COMM ERR]	B-pillar satellite sensor RH communication error
B0096-88	[OPEN]	B-pillar satellite sensor RH circuit is open
B0096-86	[UNMATCH]	B-pillar satellite sensor RH is out of specification
B0096-28	[OFFSET ERR]	B-pillar satellite sensor RH malfunction
B0096-25	[SELF-DIAG ERR]	B-pillar satellite sensor RH malfunction
B0096-23	[LOWER LIMIT ERR]	B-pillar satellite sensor RH malfunction
B0096-24	[UPPER LIMIT ERR]	B-pillar satellite sensor RH malfunction
B0096-11	[GND-SHORT]	B-pillar satellite sensor RH circuit is shorted to ground

DTC CONFIRMATION PROCEDURE (With CONSULT)

1. CHECK SELF-DIAG RESULT

1. Turn ignition switch ON.
2. Check for DTC using CONSULT.

Is the DTC detected?

- YES (Current DTC)>>Refer to [SRC-77, "Diagnosis Procedure"](#).
YES (Past DTC)>>GO TO 2.
NO >> Inspection End.

2. ERASE SELF-DIAG RESULT

Erase the DTC using CONSULT.

Can the DTC be erased?

- YES >> Inspection End.
NO >> Refer to [SRC-77, "Diagnosis Procedure"](#).

DTC CONFIRMATION PROCEDURE (Without CONSULT)

1. CHECK SELF-DIAG RESULT

1. Turn ignition switch ON.
2. Check the air bag warning lamp status. Refer to [SRC-14, "On Board Diagnosis Function"](#).

NOTE:

SRS will not enter diagnosis mode if no malfunction is detected in user mode.

B0096 FRONT SIDE AIR BAG SATELLITE SENSOR RH

< DTC/CIRCUIT DIAGNOSIS >

Is the DTC detected?

- YES >> Refer to [SRC-77, "Diagnosis Procedure"](#).
NO >> Inspection End.

Diagnosis Procedure

INFOID:000000012589659

1.HARNES CONNECTOR

Visually inspect all applicable harness connectors for the following:

- Visible damage to connector or terminal
- Loose terminal
- Poor connection

NOTE:

All harness connectors should be inspected from the air bag diagnosis sensor unit to the end component (including any in-line connectors).

Is the inspection result normal?

- YES >> GO TO 2.
NO >> Perform one of the following repairs:
 - Visible damage: Replace the harness.
 - Loose terminal: Secure the terminal.
 - Poor connection: Secure the connection.

2.CONFIRM DTC

1. Reconnect all harness connectors.
2. Turn ignition switch ON.
3. Check for DTC using CONSULT.

Is DTC still current?

- YES >> GO TO 3.
NO >> Refer to [GI-45, "Intermittent Incident"](#).

3.WIRING HARNESS

Check the wiring harness for visible damage.

NOTE:

The entire wiring harness should be inspected from the air bag diagnosis sensor unit to the end component (including any in-line connectors).

Is the inspection result normal?

- YES >> GO TO 4.
NO >> Replace the harness.

4.CONFIRM DTC

1. Reconnect all harness connectors.
2. Turn ignition switch ON.
3. Check for DTC using CONSULT.

Is DTC still current?

- YES >> GO TO 5.
NO >> Refer to [GI-45, "Intermittent Incident"](#).

5.FRONT SIDE AIR BAG SATELLITE SENSOR RH

1. Replace the front side air bag satellite sensor RH. Refer to [SR-24, "Removal and Installation"](#).
2. Turn ignition switch ON.
3. Check for DTC using CONSULT.

Is DTC still current?

- YES >> GO TO 6.
NO >> Clear DTC. Inspection End.

6.AIR BAG DIAGNOSIS SENSOR UNIT

1. Replace the air bag diagnosis sensor unit. Refer to [SR-26, "Removal and Installation"](#).
2. Turn ignition switch ON.
3. Check for DTC using CONSULT.

A
B
C
D
E
F
G
I
J
K
L
M
N
O
P

SRC

B0096 FRONT SIDE AIR BAG SATELLITE SENSOR RH

< DTC/CIRCUIT DIAGNOSIS >

Is DTC still current?

YES >> GO TO 7.

NO >> Clear DTC. Inspection End.

7.RELATED HARNESS

Replace the related harness.

>> **END**

B0097 REAR SIDE AIR BAG SATELLITE SENSOR RH

< DTC/CIRCUIT DIAGNOSIS >

B0097 REAR SIDE AIR BAG SATELLITE SENSOR RH

Description

INFOID:0000000012589663

DTC B0097 REAR SATELLITE SENSOR RH

The rear side air bag satellite sensor RH is wired to the air bag diagnosis sensor unit. The air bag diagnosis sensor unit will monitor the rear side air bag satellite sensor RH for internal failures and its circuits for communication errors.

PART LOCATION

Refer to [SRC-5, "Component Parts Location"](#).

DTC Logic

INFOID:0000000012589664

DTC DETECTION LOGIC

With CONSULT

DTC	CONSULT screen items (Trouble diagnosis content)	DTC detecting condition
B0097-93	[RESET]	C-pillar satellite sensor RH malfunction
B0097-81	[COMM ERR]	C-pillar satellite sensor RH communication error
B0097-88	[OPEN]	C-pillar satellite sensor RH circuit is open
B0097-86	[UNMATCH]	C-pillar satellite sensor RH is out of specification
B0097-28	[OFFSET ERR]	C-pillar satellite sensor RH malfunction
B0097-25	[SELF-DIAG ERR]	C-pillar satellite sensor RH malfunction
B0097-23	[LOWER LIMIT ERR]	C-pillar satellite sensor RH malfunction
B0097-24	[UPPER LIMIT ERR]	C-pillar satellite sensor RH malfunction
B0097-11	[GND-SHORT]	C-pillar satellite sensor RH circuit is shorted to ground

DTC CONFIRMATION PROCEDURE (With CONSULT)

1. CHECK SELF-DIAG RESULT

1. Turn ignition switch ON.
2. Check for DTC using CONSULT.

Is the DTC detected?

YES (Current DTC)>>Refer to [SRC-80, "Diagnosis Procedure"](#).

YES (Past DTC)>>GO TO 2.

NO >> Inspection End.

2. ERASE SELF-DIAG RESULT

Erase the DTC using CONSULT.

Can the DTC be erased?

YES >> Inspection End.

NO >> Refer to [SRC-80, "Diagnosis Procedure"](#).

DTC CONFIRMATION PROCEDURE (Without CONSULT)

1. CHECK SELF-DIAG RESULT

1. Turn ignition switch ON.
2. Check the air bag warning lamp status. Refer to [SRC-14, "On Board Diagnosis Function"](#).

NOTE:

SRS will not enter diagnosis mode if no malfunction is detected in user mode.

B0097 REAR SIDE AIR BAG SATELLITE SENSOR RH

< DTC/CIRCUIT DIAGNOSIS >

Is the DTC detected?

- YES >> Refer to [SRC-80, "Diagnosis Procedure"](#).
- NO >> Inspection End.

Diagnosis Procedure

INFOID:000000012589665

1. HARNESS CONNECTOR

Visually inspect all applicable harness connectors for the following:

- Visible damage to connector or terminal
- Loose terminal
- Poor connection

NOTE:

All harness connectors should be inspected from the air bag diagnosis sensor unit to the end component (including any in-line connectors).

Is the inspection result normal?

- YES >> GO TO 2.
- NO >> Perform one of the following repairs:
 - Visible damage: Replace the harness.
 - Loose terminal: Secure the terminal.
 - Poor connection: Secure the connection.

2. CONFIRM DTC

1. Reconnect all harness connectors.
2. Turn ignition switch ON.
3. Check for DTC using CONSULT.

Is DTC still current?

- YES >> GO TO 3.
- NO >> Refer to [GI-45, "Intermittent Incident"](#).

3. WIRING HARNESS

Check the wiring harness for visible damage.

NOTE:

The entire wiring harness should be inspected from the air bag diagnosis sensor unit to the end component (including any in-line connectors).

Is the inspection result normal?

- YES >> GO TO 4.
- NO >> Replace the harness.

4. CONFIRM DTC

1. Reconnect all harness connectors.
2. Turn ignition switch ON.
3. Check for DTC using CONSULT.

Is DTC still current?

- YES >> GO TO 5.
- NO >> Refer to [GI-45, "Intermittent Incident"](#).

5. REAR SIDE AIR BAG SATELLITE SENSOR RH

1. Replace the rear side air bag satellite sensor RH. Refer to [SR-24, "Removal and Installation"](#).
2. Turn ignition switch ON.
3. Check for DTC using CONSULT.

Is DTC still current?

- YES >> GO TO 6.
- NO >> Clear DTC. Inspection End.

6. AIR BAG DIAGNOSIS SENSOR UNIT

1. Replace the air bag diagnosis sensor unit. Refer to [SR-26, "Removal and Installation"](#).
2. Turn ignition switch ON.
3. Check for DTC using CONSULT.

B0097 REAR SIDE AIR BAG SATELLITE SENSOR RH

< DTC/CIRCUIT DIAGNOSIS >

Is DTC still current?

YES >> GO TO 7.

NO >> Clear DTC. Inspection End.

7.RELATED HARNESS

Replace the related harness.

>> **END**

A

B

C

D

E

F

G

SRC

I

J

K

L

M

N

O

P

B0098 FRONT DOOR SATELLITE SENSOR RH

< DTC/CIRCUIT DIAGNOSIS >

B0098 FRONT DOOR SATELLITE SENSOR RH

Description

INFOID:000000012620382

DTC B0098 FRONT DOOR SATELLITE SENSOR RH

The front door satellite sensor RH is wired to the air bag diagnosis sensor unit. The air bag diagnosis sensor unit will monitor the front door satellite sensor RH for internal failures and its circuits for communication errors.

PART LOCATION

Refer to [SRC-5, "Component Parts Location"](#).

DTC Logic

INFOID:000000012620383

With CONSULT

DTC	CONSULT screen items (Trouble diagnosis content)	DTC detecting condition
B0098-93	[RESET]	Front door satellite sensor RH malfunction
B0098-81	[COMM ERR]	Front door satellite sensor RH communication error
B0098-88	[OPEN]	Front door satellite sensor RH circuit is shorted to ground
B0098-86	[UNMATCH]	Front door satellite sensor RH is out of specification
B0098-28	[OFFSET ERR]	Front door satellite sensor RH malfunction
B0098-25	[SELF-DIAG ERR]	Front door satellite sensor RH malfunction
B0098-23	[LOWER LIMIT ERR]	Front door satellite sensor RH malfunction
B0098-24	[UPPER LIMIT ERR]	Front door satellite sensor RH malfunction
B0098-11	[GND-SHORT]	Front door satellite sensor RH circuit is shorted to ground

DTC CONFIRMATION PROCEDURE (With CONSULT)

1. CHECK SELF-DIAG RESULT

1. Turn ignition switch ON.
2. Check for DTC using CONSULT.

Is the DTC detected?

YES (Current DTC)>>Refer to [SRC-83, "Diagnosis Procedure"](#).

YES (Past DTC)>>GO TO 2.

NO >> Inspection End.

2. ERASE SELF-DIAG RESULT

Erase the DTC using CONSULT.

Can the DTC be erased?

YES >> Inspection End.

NO >> Refer to [SRC-83, "Diagnosis Procedure"](#).

DTC CONFIRMATION PROCEDURE (Without CONSULT)

1. CHECK SELF-DIAG RESULT

1. Turn ignition switch ON.
2. Check the air bag warning lamp status. Refer to [SRC-14, "On Board Diagnosis Function"](#).

NOTE:

SRS will not enter diagnosis mode if no malfunction is detected in user mode.

Is the DTC detected?

YES >> Refer to [SRC-83, "Diagnosis Procedure"](#).

NO >> Inspection End.

B0098 FRONT DOOR SATELLITE SENSOR RH

< DTC/CIRCUIT DIAGNOSIS >

Diagnosis Procedure

INFOID:000000012620384

1. HARNESS CONNECTOR

Visually inspect all applicable harness connectors for the following:

- Visible damage to connector or terminal
- Loose terminal
- Poor connection

NOTE:

All harness connectors should be inspected from the air bag diagnosis sensor unit to the end component (including any in-line connectors).

Is the inspection result normal?

YES >> GO TO 2.

- NO >> Perform one of the following repairs:
- Visible damage: Replace the harness.
 - Loose terminal: Secure the terminal.
 - Poor connection: Secure the connection.

2. CONFIRM DTC

1. Reconnect all harness connectors.
2. Turn ignition switch ON.
3. Check for DTC using CONSULT.

Is DTC still current?

YES >> GO TO 3.

NO >> Refer to [GI-45, "Intermittent Incident"](#).

3. WIRING HARNESS

Check the wiring harness for visible damage.

NOTE:

The entire wiring harness should be inspected from the air bag diagnosis sensor unit to the end component (including any in-line connectors).

Is the inspection result normal?

YES >> GO TO 4.

NO >> Replace the harness.

4. CONFIRM DTC

1. Reconnect all harness connectors.
2. Turn ignition switch ON.
3. Check for DTC using CONSULT.

Is DTC still current?

YES >> GO TO 5.

NO >> Refer to [GI-45, "Intermittent Incident"](#).

5. FRONT DOOR SATELLITE SENSOR RH

1. Replace the front door satellite sensor RH. Refer to [SR-24, "Removal and Installation"](#).
2. Turn ignition switch ON.
3. Check for DTC using CONSULT.

Is DTC still current?

YES >> GO TO 6.

NO >> Clear DTC. Inspection End.

6. AIR BAG DIAGNOSIS SENSOR UNIT

1. Replace the air bag diagnosis sensor unit. Refer to [SR-26, "Removal and Installation"](#).
2. Turn ignition switch ON.
3. Check for DTC using CONSULT.

Is DTC still current?

YES >> GO TO 7.

NO >> Clear DTC. Inspection End.

A

B

C

D

E

F

G

SRC

I

J

K

L

M

N

O

P

B0098 FRONT DOOR SATELLITE SENSOR RH

< DTC/CIRCUIT DIAGNOSIS >

7.RELATED HARNESS

Replace the related harness.

>> END

B00A0 OCCUPANT CLASSIFICATION SYSTEM CONTROL UNIT

< DTC/CIRCUIT DIAGNOSIS >

B00A0 OCCUPANT CLASSIFICATION SYSTEM CONTROL UNIT

Description

INFOID:000000012589666

DTC B00A0 OCCUPANT CLASSIFICATION SYSTEM (OCS)

The OCS control unit is wired to the air bag diagnosis sensor unit. The air bag diagnosis sensor unit will monitor the OCS for failures and interruptions in communication between the OCS control unit and the air bag diagnosis sensor unit.

PART LOCATION

Refer to [SRC-5, "Component Parts Location"](#).

DTC Description

INFOID:000000012589667

DTC DETECTION LOGIC

DTC	CONSULT screen items (Trouble diagnosis content)	DTC detecting condition
B00A0-00	OCCUPANT SENS [Occupant Classification System (Subfault)]	[ABNORMAL VOLTAGE] Power supply malfunction of occupant detection sensor
B00A0-02		[UNIT MALFUNC] Malfunction of occupant detection sensor
B00A0-09		[UNIT MALFUNC] Malfunction of occupant detection sensor
B00A0-04	OCCUPANT SENS C/U [Occupant Classification System (Subfault)]	[UNIT MALFUNC] Malfunction of occupant detection sensor control unit
B00A0-83		[COMM ERR] <ul style="list-style-type: none">Communication malfunction of occupant detection sensor control unitCommunication blank of occupant detection sensor control unit
B00A0-86		[COMM ERR] <ul style="list-style-type: none">Communication malfunction of occupant detection sensor control unitCommunication blank of occupant detection sensor control unit
B00A0-87		[COMM ERR] <ul style="list-style-type: none">Communication malfunction of occupant detection sensor control unitCommunication blank of occupant detection sensor control unit
B00A0-88		[COMM ERR] <ul style="list-style-type: none">Communication malfunction of occupant detection sensor control unitCommunication blank of occupant detection sensor control unit
B00A0-8F		[UNDEFINED] Undefined status of occupant detection sensor control unit
B00A0-93		[RESET] Reset malfunction of occupant detection sensor control unit

DTC CONFIRMATION PROCEDURE (With CONSULT)

1. CHECK SELF-DIAG RESULT

- Turn ignition switch ON.
- Check the DTC using CONSULT.

Is the DTC detected?

YES (Current DTC)>>Refer to:

- B00A0-00, -02 or -09: [SRC-86, "Diagnosis Procedure \(B00A0-00, -02 or -09\)"](#)
- B00A0-04: [SRC-87, "Diagnosis Procedure \(B00A0-04\)"](#)
- B00A0-83, -86, -87, -88 or -8F: [SRC-88, "Diagnosis Procedure \(B00A0-83, -86, -87, -88 or -8F\)"](#)
- B00A0-93: [SRC-89, "Diagnosis Procedure \(B00A0-93\)"](#)

YES (Past DTC)>>GO TO 2.

NO >> Inspection End.

2. ERASE SELF-DIAG RESULT

Erase the DTC using CONSULT.

B00A0 OCCUPANT CLASSIFICATION SYSTEM CONTROL UNIT

< DTC/CIRCUIT DIAGNOSIS >

Can the DTC be erased?

YES >> Inspection End.

NO >> Refer to:

- B00A0-00, -02 or -09: [SRC-86, "Diagnosis Procedure \(B00A0-00, -02 or -09\)"](#)
- B00A0-04: [SRC-87, "Diagnosis Procedure \(B00A0-04\)"](#)
- B00A0-83, -86, -87, -88 or -8F: [SRC-88, "Diagnosis Procedure \(B00A0-83, -86, -87, -88 or -8F\)"](#)
- B00A0-93: [SRC-89, "Diagnosis Procedure \(B00A0-93\)"](#)

DTC CONFIRMATION PROCEDURE (Without CONSULT)

1. CHECK SELF-DIAG RESULT

1. Turn ignition switch ON.

2. Check the air bag warning lamp status. Refer to [SRC-14, "On Board Diagnosis Function"](#).

NOTE:

SRS does not enter the diagnosis mode if no malfunction is detected in the user mode.

Is the DTC detected?

YES >> Refer to:

- B00A0-00, -02 or -09: [SRC-86, "Diagnosis Procedure \(B00A0-00, -02 or -09\)"](#)
- B00A0-04: [SRC-87, "Diagnosis Procedure \(B00A0-04\)"](#)
- B00A0-83, -86, -87, -88 or -8F: [SRC-88, "Diagnosis Procedure \(B00A0-83, -86, -87, -88 or -8F\)"](#)
- B00A0-93: [SRC-89, "Diagnosis Procedure \(B00A0-93\)"](#)

NO >> Inspection End.

Diagnosis Procedure (B00A0-00, -02 or -09)

INFOID:000000012589668

1. HARNESS CONNECTOR

Visually inspect all applicable harness connectors for the following:

- Visible damage to connector or terminal
- Loose terminal
- Poor connection

NOTE:

All harness connectors should be inspected from the air bag diagnosis unit to the end component (including any in-line connectors)

Is the inspection result normal?

YES >> GO TO 3.

NO >> Perform the following repairs. Then, GO TO 2.

- Visible damage: Replace the harness.
- Loose terminal: Secure the terminal.
- Poor connection: Secure the connection.

2. CONFIRM DTC

1. Reconnect all harness connectors.

2. Turn ignition switch ON.

3. Check for DTC using CONSULT.

Is DTC still current?

YES >> GO TO 3.

NO >> Clear DTC and perform zero point reset. Refer to [SRC-40, "ZERO POINT RESET : Description"](#).

3. REPLACE OCS CONTROL UNIT AND SENSORS

1. Replace the OCS control unit and sensors. Refer to [SR-30, "Removal and Installation"](#).

2. Turn ignition switch ON.

3. Check for DTC using CONSULT.

Is DTC still current?

YES >> GO TO 4.

NO >> Clear DTC and perform zero point reset. Refer to [SRC-40, "ZERO POINT RESET : Description"](#).

4. AIR BAG DIAGNOSIS SENSOR UNIT

1. Replace the air bag diagnosis sensor unit. Refer to [SR-26, "Removal and Installation"](#).

2. Turn ignition switch ON.

B00A0 OCCUPANT CLASSIFICATION SYSTEM CONTROL UNIT

< DTC/CIRCUIT DIAGNOSIS >

3. Check for DTC using CONSULT.

Is DTC still current?

YES >> GO TO 5.

NO >> Clear DTC and perform zero point reset. Refer to [SRC-40, "ZERO POINT RESET : Description"](#).

5.RELATED HARNESS

1. Replace the related harnesses (OCS sensors to OCS control unit, OCS control unit to seat, seat to main harness, main harness to air bag diagnosis sensor unit).

2. Turn ignition switch ON.

3. Check for DTC using CONSULT.

Is DTC still current?

YES >> GO TO 6.

NO >> Clear DTC and perform zero point reset. Refer to [SRC-40, "ZERO POINT RESET : Description"](#).

6.REPLACE PASSENGER SEAT CUSHION FRAME

1. Replace the passenger seat cushion frame.

2. Clear DTC and perform zero point reset. Refer to [SRC-40, "ZERO POINT RESET : Description"](#).

>> Inspection End.

Diagnosis Procedure (B00A0-04)

INFOID:0000000012589669

1.HARNESS CONNECTOR

Visually inspect all applicable harness connectors for the following:

- Visible damage to connector or terminal
- Loose terminal
- Poor connection

NOTE:

All harness connectors should be inspected from the air bag diagnosis unit to the end component (including any in-line connectors)

Is the inspection result normal?

YES >> GO TO 3.

NO >> Perform the following repairs. Then, GO TO 2.

- Visible damage: Replace the harness.
- Loose terminal: Secure the terminal.
- Poor connection: Secure the connection.

2.CONFIRM DTC

1. Reconnect all harness connectors.

2. Turn ignition switch ON.

3. Check for DTC using CONSULT.

Is DTC still current?

YES >> GO TO 3.

NO >> Clear DTC and perform zero point reset. Refer to [SRC-40, "ZERO POINT RESET : Description"](#).

3.REPLACE OCS CONTROL UNIT

1. Replace the OCS control unit. Refer to [SR-30, "Removal and Installation"](#).

2. Turn ignition switch ON.

3. Check for DTC using CONSULT.

Is DTC still current?

YES >> GO TO 4.

NO >> Clear DTC and perform zero point reset. Refer to [SRC-40, "ZERO POINT RESET : Description"](#).

4.AIR BAG DIAGNOSIS SENSOR UNIT

1. Replace the air bag diagnosis sensor unit. Refer to [SR-26, "Removal and Installation"](#).

2. Turn ignition switch ON.

3. Check for DTC using CONSULT.

Is DTC still current?

A
B
C
D
E
F
G
I
J
K
L
M
N
O
P

SRC

B00A0 OCCUPANT CLASSIFICATION SYSTEM CONTROL UNIT

< DTC/CIRCUIT DIAGNOSIS >

YES >> GO TO 5.

NO >> Clear DTC and perform zero point reset. Refer to [SRC-40, "ZERO POINT RESET : Description"](#).

5. RELATED HARNESS

1. Replace the related harnesses (OCS sensors to OCS control unit, OCS control unit to seat, seat to main harness, main harness to air bag diagnosis sensor unit)
2. Turn ignition switch ON.
3. Check for DTC using CONSULT.

Is DTC still current?

YES >> GO TO 6.

NO >> Clear DTC and perform zero point reset. Refer to [SRC-40, "ZERO POINT RESET : Description"](#).

6. REPLACE OCS SENSORS

1. Replace the OCS sensors. Refer to [SR-30, "Removal and Installation"](#).
2. Turn ignition switch ON.
3. Check for DTC using CONSULT.

Is DTC still current?

YES >> GO TO 7.

NO >> Clear DTC and perform zero point reset. Refer to [SRC-40, "ZERO POINT RESET : Description"](#).

7. REPLACE PASSENGER SEAT CUSHION FRAME

1. Replace the passenger seat cushion frame.
2. Clear DTC and perform zero point reset. Refer to [SRC-40, "ZERO POINT RESET : Description"](#).

>> Inspection End.

Diagnosis Procedure (B00A0-83, -86, -87, -88 or -8F)

INFOID:000000012589670

1. HARNESS CONNECTOR

Visually inspect all applicable harness connectors for the following:

- Visible damage to connector or terminal
- Loose terminal
- Poor connection

NOTE:

All harness connectors should be inspected from the air bag diagnosis unit to the end component (including any in-line connectors)

Is the inspection result normal?

YES >> GO TO 3.

NO >> Perform the following repairs. Then, GO TO 2.

- Visible damage: Replace the harness.
- Loose terminal: Secure the terminal.
- Poor connection: Secure the connection.

2. CONFIRM DTC

1. Reconnect all harness connectors.
2. Turn ignition switch ON.
3. Check for DTC using CONSULT.

Is DTC still current?

YES >> GO TO 3.

NO >> Clear DTC and perform zero point reset. Refer to [SRC-40, "ZERO POINT RESET : Description"](#).

3. REPLACE OCS CONTROL UNIT AND SENSORS

1. Replace the OCS control unit and sensors. Refer to [SR-30, "Removal and Installation"](#).
2. Turn ignition switch ON.
3. Check for DTC using CONSULT.

Is DTC still current?

YES >> GO TO 4.

NO >> Clear DTC and perform zero point reset. Refer to [SRC-40, "ZERO POINT RESET : Description"](#).

B00A0 OCCUPANT CLASSIFICATION SYSTEM CONTROL UNIT

< DTC/CIRCUIT DIAGNOSIS >

4. AIR BAG DIAGNOSIS SENSOR UNIT

1. Replace the air bag diagnosis sensor unit. Refer to [SR-26. "Removal and Installation"](#).
2. Turn ignition switch ON.
3. Check for DTC using CONSULT.

Is DTC still current?

YES >> GO TO 5.

NO >> Clear DTC and perform zero point reset. Refer to [SRC-40. "ZERO POINT RESET : Description"](#).

5. RELATED HARNESS

1. Replace the related harnesses (OCS sensors to OCS control unit, OCS control unit to seat, seat to main harness, main harness to air bag diagnosis sensor unit).
2. Turn ignition switch ON.
3. Check for DTC using CONSULT.

Is DTC still current?

YES >> GO TO 6.

NO >> Clear DTC and perform zero point reset. Refer to [SRC-40. "ZERO POINT RESET : Description"](#).

6. REPLACE PASSENGER SEAT CUSHION FRAME

1. Replace the passenger seat cushion frame.
2. Clear DTC and perform zero point reset. Refer to [SRC-40. "ZERO POINT RESET : Description"](#).

>> Inspection End.

Diagnosis Procedure (B00A0-93)

INFOID:000000012589671

SRC

1. PERFORM ZERO POINT RESET

1. Perform zero point reset. Refer to [SRC-40. "ZERO POINT RESET : Description"](#).
2. Turn ignition switch ON.
3. Check for DTC using CONSULT.

Is DTC still current?

YES >> GO TO 2.

NO >> Clear DTC. Inspection End.

2. HARNESS CONNECTOR

Visually inspect all applicable harness connectors for the following:

- Visible damage to connector or terminal
- Loose terminal
- Poor connection

NOTE:

All harness connectors should be inspected from the air bag diagnosis unit to the end component (including any in-line connectors)

Is the inspection result normal?

YES >> GO TO 4.

NO >> Perform the following repairs. Then, GO TO 3.

- Visible damage: Replace the harness.
- Loose terminal: Secure the terminal.
- Poor connection: Secure the connection.

3. CONFIRM DTC

1. Reconnect all harness connectors.
2. Turn ignition switch ON.
3. Check for DTC using CONSULT.

Is DTC still current?

YES >> GO TO 4.

NO >> Clear DTC and perform zero point reset. Refer to [SRC-40. "ZERO POINT RESET : Description"](#).

4. REPLACE OCS CONTROL UNIT

B00A0 OCCUPANT CLASSIFICATION SYSTEM CONTROL UNIT

< DTC/CIRCUIT DIAGNOSIS >

1. Replace the OCS control unit. Refer to [SR-30, "Removal and Installation"](#).
2. Turn ignition switch ON.
3. Check for DTC using CONSULT.

Is DTC still current?

YES >> GO TO 5.

NO >> Clear DTC and perform zero point reset. Refer to [SRC-40, "ZERO POINT RESET : Description"](#).

5. AIR BAG DIAGNOSIS SENSOR UNIT

1. Replace the air bag diagnosis sensor unit. Refer to [SR-26, "Removal and Installation"](#).
2. Turn ignition switch ON.
3. Check for DTC using CONSULT.

Is DTC still current?

YES >> GO TO 6.

NO >> Clear DTC and perform zero point reset. Refer to [SRC-40, "ZERO POINT RESET : Description"](#).

6. RELATED HARNESS

1. Replace the related harnesses (OCS sensors to OCS control unit, OCS control unit to seat, seat to main harness, main harness to air bag diagnosis sensor unit)
2. Turn ignition switch ON.
3. Check for DTC using CONSULT.

Is DTC still current?

YES >> GO TO 7.

NO >> Clear DTC and perform zero point reset. Refer to [SRC-40, "ZERO POINT RESET : Description"](#).

7. REPLACE OCS SENSORS

1. Replace the OCS sensors. Refer to [SR-30, "Removal and Installation"](#).
2. Turn ignition switch ON.
3. Check for DTC using CONSULT.

Is DTC still current?

YES >> GO TO 8.

NO >> Clear DTC and perform zero point reset. Refer to [SRC-40, "ZERO POINT RESET : Description"](#).

8. REPLACE PASSENGER SEAT CUSHION FRAME

1. Replace the passenger seat cushion frame.
2. Clear DTC and perform zero point reset. Refer to [SRC-40, "ZERO POINT RESET : Description"](#).

>> END

B00D5 PASSENGER AIR BAG OFF INDICATOR

< DTC/CIRCUIT DIAGNOSIS >

B00D5 PASSENGER AIR BAG OFF INDICATOR

Description

INFOID:000000012620385

DTC B00D5 FRONT PASSENGER AIR BAG OFF INDICATOR

The front passenger air bag off indicator is wired to the air bag diagnosis sensor unit. The air bag diagnosis sensor unit monitors the front passenger air bag off indicator and circuit for failures.

PART LOCATION

Refer to [SRC-5, "Component Parts Location"](#).

DTC Logic

INFOID:000000012620386

With CONSULT

DTC	CONSULT screen items (Trouble diagnosis content)	DTC detecting condition
B00D5-04	[UNIT MALFUNC]	Front passenger air bag OFF indicator circuit malfunction
B00D5-15	[PWR-SHORT/ OPEN]	Front passenger air bag OFF indicator circuit is open or shorted to power supply circuit
B00D5-13	[OPEN]	Front passenger air bag OFF indicator circuit is open
B00D5-12	[VB-SHORT]	Front passenger air bag OFF indicator circuit is shorted to power supply circuit
B00D5-11	[GND-SHORT]	Front passenger air bag OFF indicator circuit is shorted to ground

DTC CONFIRMATION PROCEDURE (With CONSULT)

1. CHECK SELF-DIAG RESULT

1. Turn ignition switch ON.
2. Check for DTC using CONSULT.

Is the DTC detected?

YES (Current DTC)>>Refer to [SRC-91, "Diagnosis Procedure"](#).

YES (Past DTC)>>GO TO 2.

NO >> Inspection End.

2. ERASE SELF-DIAG RESULT

Erase the DTC using CONSULT.

Can the DTC be erased?

YES >> Inspection End.

NO >> Refer to [SRC-91, "Diagnosis Procedure"](#).

DTC CONFIRMATION PROCEDURE (Without CONSULT)

1. CHECK SELF-DIAG RESULT

1. Turn ignition switch ON.
2. Check the air bag warning lamp status. Refer to [SRC-14, "On Board Diagnosis Function"](#).

NOTE:

SRS will not enter diagnosis mode if no malfunction is detected in user mode.

Is the DTC detected?

YES >> Refer to [SRC-91, "Diagnosis Procedure"](#).

NO >> Inspection End.

Diagnosis Procedure

INFOID:000000012620387

1. HARNESS CONNECTOR

Visually inspect all applicable harness connectors for the following:

B00D5 PASSENGER AIR BAG OFF INDICATOR

< DTC/CIRCUIT DIAGNOSIS >

- Visible damage to connector or terminal
- Loose terminal
- Poor connection

NOTE:

All harness connectors should be inspected from the air bag diagnosis sensor unit to the end component (including any in-line connectors).

Is the inspection result normal?

YES >> GO TO 2.

- NO >> Perform one of the following repairs:
- Visible damage: Replace the harness.
 - Loose terminal: Secure the terminal.
 - Poor connection: Secure the connection.

2.CONFIRM DTC

1. Reconnect all harness connectors.
2. Turn ignition switch ON.
3. Check for DTC using CONSULT.

Is DTC still current?

YES >> GO TO 3.

NO >> Refer to [GI-45, "Intermittent Incident"](#).

3.WIRING HARNESS

Check the wiring harness for visible damage.

NOTE:

The entire wiring harness should be inspected from the air bag diagnosis sensor unit to the end component (including any in-line connectors).

Is the inspection result normal?

YES >> GO TO 4.

NO >> Replace the harness.

4.CONFIRM DTC

1. Reconnect all harness connectors.
2. Turn ignition switch ON.
3. Check for DTC using CONSULT.

Is DTC still current?

YES >> GO TO 5.

NO >> Refer to [GI-45, "Intermittent Incident"](#).

5.PASSENGER AIR BAG OFF INDICATOR

1. Replace the passenger air bag off indicator.
2. Turn ignition switch ON.
3. Check for DTC using CONSULT.

Is DTC still current?

YES >> GO TO 6.

NO >> Clear DTC. Inspection End.

6.AIR BAG DIAGNOSIS SENSOR UNIT

1. Replace the air bag diagnosis sensor unit. Refer to [SR-26, "Removal and Installation"](#).
2. Turn ignition switch ON.
3. Check for DTC using CONSULT.

Is DTC still current?

YES >> GO TO 7.

NO >> Clear DTC. Inspection End.

7.RELATED HARNESS

Replace the related harness.

>> **END**

B1428 SEAT BELT BUCKLE SWITCH LH

< DTC/CIRCUIT DIAGNOSIS >

B1428 SEAT BELT BUCKLE SWITCH LH

Description

INFOID:0000000012589596

DTC B1428 SEAT BELT BUCKLE SWITCH LH

The air bag diagnosis sensor unit monitors the seat belt buckle switch LH status. If the control unit detects an open or short condition in the circuit, it will set the DTC.

PART LOCATION

Refer to [SRC-5, "Component Parts Location"](#).

DTC Logic

INFOID:0000000012589597

With CONSULT

DTC	CONSULT screen items (Trouble diagnosis content)	DTC detecting condition
B1428-13	BUCKLE SW LH	[OPEN] Seat belt buckle switch LH circuit is open.
B1428-12		[VB-SHORT] Seat belt buckle switch LH circuit is shorted to a power supply circuit.
B1428-11		[GND-SHORT] Seat belt buckle switch LH circuit is shorted to ground.
B1428-00		[UNDEFINED] Seat belt buckle switch LH circuit is malfunctioning.

DTC CONFIRMATION PROCEDURE (With CONSULT)

1. CHECK SELF-DIAG RESULT

- Turn ignition switch ON.
- Check for DTC using CONSULT.

Is the DTC detected?

YES (Current DTC)>>Refer to [SRC-93, "Diagnosis Procedure"](#).

YES (Past DTC)>>GO TO 2.

NO >> Inspection End.

2. ERASE SELF-DIAG RESULT

Erase the DTC using CONSULT.

Can the DTC be erased?

YES >> Inspection End.

NO >> Refer to [SRC-93, "Diagnosis Procedure"](#).

DTC CONFIRMATION PROCEDURE (Without CONSULT)

1. CHECK SELF-DIAG RESULT

- Turn ignition switch ON.
- Check the air bag warning lamp status. Refer to [SRC-14, "On Board Diagnosis Function"](#).

NOTE:

SRS will not enter diagnosis mode if no malfunction is detected in user mode.

Is the DTC detected?

YES >> Refer to [SRC-93, "Diagnosis Procedure"](#).

NO >> Inspection End.

Diagnosis Procedure

INFOID:0000000012589598

1. HARNESS CONNECTOR

Visually inspect all applicable harness connectors for the following:

- Visible damage to connector or terminal
- Loose terminal

A
B
C
D
E
F
G
I
J
K
L
M
N
O
P

SRC

B1428 SEAT BELT BUCKLE SWITCH LH

< DTC/CIRCUIT DIAGNOSIS >

- Poor connection

NOTE:

All harness connectors should be inspected from the air bag diagnosis unit to the end component (including any in-line connectors).

Is the inspection result normal?

YES >> GO TO 2.

- NO >> Perform one of the following repairs:
- Visible damage: Replace the harness.
 - Loose terminal: Secure the terminal.
 - Poor connection: Secure the connection.

2. CONFIRM DTC

1. Reconnect all harness connectors.
2. Turn ignition switch ON.
3. Check for DTC using CONSULT.

Is DTC still current?

YES >> GO TO 3

NO >> Refer to [GI-45, "Intermittent Incident"](#).

3. WIRING HARNESS

Check the wiring harness for visible damage.

NOTE:

The entire wiring harness should be inspected from the air bag diagnosis sensor unit to the end component (including any in-line connectors).

Is the inspection result normal?

YES >> GO TO 4.

NO >> Replace the harness.

4. CONFIRM DTC

1. Reconnect all harness connectors.
2. Turn ignition switch ON.
3. Check for DTC using CONSULT.

Is DTC still current?

YES >> GO TO 5.

NO >> Refer to [GI-45, "Intermittent Incident"](#).

5. SEAT BELT BUCKLE SWITCH LH

1. Replace the seat belt buckle switch LH. Refer to [SR-29, "Removal and Installation"](#).
2. Turn ignition switch ON.
3. Check for DTC using CONSULT.

Is DTC still current?

YES >> GO TO 6.

NO >> Clear DTC. Inspection End.

6. AIR BAG DIAGNOSIS SENSOR UNIT

1. Replace the air bag diagnosis sensor unit. Refer to [SR-26, "Removal and Installation"](#).
2. Turn ignition switch ON.
3. Check for DTC using CONSULT.

Is DTC still current?

YES >> GO TO 7.

NO >> Clear DTC. Inspection End.

7. RELATED HARNESS

Replace the related harness.

>> **END**

B1429 SEAT BELT BUCKLE SWITCH RH

< DTC/CIRCUIT DIAGNOSIS >

B1429 SEAT BELT BUCKLE SWITCH RH

Description

INFOID:0000000012620392

DTC B1429 SEAT BELT BUCKLE SWITCH RH

The air bag diagnosis sensor unit monitors the seat belt buckle switch RH status. If the control unit detects an open or short condition in the circuit, it will set the DTC.

PART LOCATION

Refer to [SRC-5, "Component Parts Location"](#).

DTC Logic

INFOID:0000000012620388

DTC DETECTION LOGIC

DTC	CONSULT screen items (Trouble diagnosis content)	DTC detecting condition
B1429-13	[OPEN]	Seat belt buckle switch RH circuit is open.
B1429-12	[VB-SHORT]	Seat belt buckle switch RH circuit is shorted to a power supply circuit.
B1429-11	[GND-SHORT]	Seat belt buckle switch RH circuit is shorted to ground.
B1429-00	[UNDEFINED]	Seat belt buckle switch RH circuit is malfunctioning.

DTC CONFIRMATION PROCEDURE (With CONSULT)

SRC

1. CHECK SELF-DIAG RESULT

1. Turn ignition switch ON.
2. Check for DTC using CONSULT.

Is the DTC detected?

YES (Current DTC)>>Refer to [SRC-95, "Diagnosis Procedure"](#).

YES (Past DTC)>>GO TO 2.

NO >> Inspection End.

2. ERASE SELF-DIAG RESULT

Erase the DTC using CONSULT.

Can the DTC be erased?

YES >> Inspection End.

NO >> Refer to [SRC-95, "Diagnosis Procedure"](#).

DTC CONFIRMATION PROCEDURE (Without CONSULT)

1. CHECK SELF-DIAG RESULT

1. Turn ignition switch ON.
2. Check the air bag warning lamp status. Refer to [SRC-14, "On Board Diagnosis Function"](#).

NOTE:

SRS will not enter diagnosis mode if no malfunction is detected in user mode.

Is the DTC detected?

YES >> Refer to [SRC-95, "Diagnosis Procedure"](#).

NO >> Inspection End.

Diagnosis Procedure

INFOID:0000000012620389

1. HARNESS CONNECTOR

Visually inspect all applicable harness connectors for the following:

- Visible damage to connector or terminal
- Loose terminal
- Poor connection

B1429 SEAT BELT BUCKLE SWITCH RH

< DTC/CIRCUIT DIAGNOSIS >

NOTE:

All harness connectors should be inspected from the air bag diagnosis unit to the end component (including any in-line connectors).

Is the inspection result normal?

YES >> GO TO 2.

- NO >> Perform one of the following repairs:
- Visible damage: Replace the harness.
 - Loose terminal: Secure the terminal.
 - Poor connection: Secure the connection.

2. CONFIRM DTC

1. Reconnect all harness connectors.
2. Turn ignition switch ON.
3. Check for DTC using CONSULT.

Is DTC still current?

YES >> GO TO 3

NO >> Refer to [GI-45, "Intermittent Incident"](#).

3. WIRING HARNESS

Check the wiring harness for visible damage.

NOTE:

The entire wiring harness should be inspected from the air bag diagnosis sensor unit to the end component (including any in-line connectors).

Is the inspection result normal?

YES >> GO TO 4.

NO >> Replace the harness.

4. CONFIRM DTC

1. Reconnect all harness connectors.
2. Turn ignition switch ON.
3. Check for DTC using CONSULT.

Is DTC still current?

YES >> GO TO 5.

NO >> Refer to [GI-45, "Intermittent Incident"](#).

5. SEAT BELT BUCKLE SWITCH RH

Replace the seat belt buckle switch RH. Refer to [SR-29, "Removal and Installation"](#).

>> GO TO 6

6. AIR BAG DIAGNOSIS SENSOR UNIT

1. Replace the air bag diagnosis sensor unit. Refer to [SR-26, "Removal and Installation"](#).
2. Turn ignition switch ON.
3. Check for DTC using CONSULT.

Is DTC still current?

YES >> GO TO 7.

NO >> Clear DTC. Inspection End.

7. RELATED HARNESS

Replace the related harness.

>> **END**

B1430 SEAT BELT PRE-TENSIONER

< DTC/CIRCUIT DIAGNOSIS >

B1430 SEAT BELT PRE-TENSIONER

Description

INFOID:0000000012589586

DTC B1430 SEAT BELT PRE-TENSIONER LH

The seat belt pre-tensioner LH is wired to the air bag diagnosis sensor unit. The air bag diagnosis sensor unit will monitor for opens and shorts in detected lines to the seat belt pre-tensioner LH.

PART LOCATION

Refer to [SRC-5, "Component Parts Location"](#).

DTC Logic

INFOID:0000000012589587

With CONSULT

DTC	CONSULT screen items (Trouble diagnosis content)	DTC detecting condition
B1430-13	[OPEN]	LH seat belt pre-tensioner circuit is open (shoulder belt)
B1430-12	[VB-SHORT]	LH seat belt pre-tensioner circuit is shorted to a power supply circuit (shoulder belt)
B1430-11	[GND-SHORT]	LH seat belt pre-tensioner circuit is shorted to ground (shoulder belt)
B1430-09	[SHORT]	LH seat belt pre-tensioner circuits are shorted to each other (shoulder belt)
B1430-1A	[SHORT]	LH seat belt pre-tensioner circuits are shorted to each other (shoulder belt)

DTC CONFIRMATION PROCEDURE (With CONSULT)

1.CHECK SELF-DIAG RESULT

1. Turn ignition switch ON.
2. Check for DTC using CONSULT.

Is the DTC detected?

YES (Current DTC)>>Refer to [SRC-97, "Diagnosis Procedure"](#).

YES (Past DTC)>>GO TO 2.

NO >> Inspection End.

2.ERASE SELF-DIAG RESULT

Erase the DTC using CONSULT.

Can the DTC be erased?

YES >> Inspection End.

NO >> Refer to [SRC-97, "Diagnosis Procedure"](#).

DTC CONFIRMATION PROCEDURE (Without CONSULT)

1.CHECK SELF-DIAG RESULT

1. Turn ignition switch ON.
2. Check the air bag warning lamp status. Refer to [SRC-14, "On Board Diagnosis Function"](#).

NOTE:

SRS will not enter diagnosis mode if no malfunction is detected in user mode.

Is the DTC detected?

YES >> Refer to [SRC-97, "Diagnosis Procedure"](#).

NO >> Inspection End.

Diagnosis Procedure

INFOID:0000000012589588

1.HARNES CONNECTOR

B1430 SEAT BELT PRE-TENSIONER

< DTC/CIRCUIT DIAGNOSIS >

Visually inspect all applicable harness connectors for the following:

- Visible damage to connector or terminal
- Loose terminal
- Poor connection

NOTE:

All harness connectors should be inspected from the air bag diagnosis sensor unit to the end component (including any in-line connectors).

Is the inspection result normal?

YES >> GO TO 2.

- NO >> Perform one of the following repairs:
- Visible damage: Replace the harness.
 - Loose terminal: Secure the terminal.
 - Poor connection: Secure the connection.

2. CONFIRM DTC

1. Reconnect all harness connectors.
2. Turn ignition switch ON.
3. Check for DTC using CONSULT.

Is DTC still current?

YES >> GO TO 3.

NO >> Refer to [GI-45. "Intermittent Incident"](#).

3. WIRING HARNESS

Check the wiring harness for visible damage.

NOTE:

The entire wiring harness should be inspected from the air bag diagnosis sensor unit to the end component (including any in-line connectors).

Is the inspection result normal?

YES >> GO TO 4.

NO >> Replace the harness.

4. CONFIRM DTC

1. Reconnect all harness connectors.
2. Turn ignition switch ON.
3. Check for DTC using CONSULT.

Is DTC still current?

YES >> GO TO 5.

NO >> Refer to [GI-45. "Intermittent Incident"](#).

5. AIR BAG DIAGNOSIS SENSOR UNIT

1. Replace the air bag diagnosis sensor unit. Refer to [SR-26. "Removal and Installation"](#).
2. Turn ignition switch ON.
3. Check for DTC using CONSULT.

Is DTC still current?

YES >> GO TO 6.

NO >> Clear DTC. Inspection End.

6. SEAT BELT PRE-TENSIONER LH

1. Replace the seat belt pre-tensioner LH. Refer to [SR-28. "Removal and Installation"](#).
2. Turn ignition switch ON.
3. Check for DTC using CONSULT.

Is DTC still current?

YES >> GO TO 7.

NO >> Clear DTC. Inspection End.

7. RELATED HARNESS

Replace the related harness.

B1430 SEAT BELT PRE-TENSIONER

< DTC/CIRCUIT DIAGNOSIS >

>> END

A

B

C

D

E

F

G

SRC

I

J

K

L

M

N

O

P

B1431 SEAT BELT PRE-TENSIONER

< DTC/CIRCUIT DIAGNOSIS >

B1431 SEAT BELT PRE-TENSIONER

Description

INFOID:0000000012589589

DTC B1431 SEAT BELT PRE-TENSIONER RH

The seat belt pre-tensioner RH is wired to the air bag diagnosis sensor unit. The air bag diagnosis sensor unit will monitor for opens and shorts in detected lines to the seat belt pre-tensioner RH.

PART LOCATION

Refer to [SRC-5, "Component Parts Location"](#).

DTC Logic

INFOID:0000000012589590

With CONSULT

DTC	CONSULT screen items (Trouble diagnosis content)	DTC detecting condition	
B1431-13	PRE-TEN FRONT RH CIRCUIT	[OPEN]	RH seat belt pre-tensioner circuit is open (shoulder belt)
B1431-12		[VB-SHORT]	RH seat belt pre-tensioner circuit is shorted to power supply circuit (shoulder belt)
B1431-11		[GND-SHORT]	RH seat belt pre-tensioner circuit is shorted to ground (shoulder belt)
B1431-09		[SHORT]	RH seat belt pre-tensioner circuits are shorted to each other (shoulder belt)
B1431-1A		[SHORT]	RH seat belt pre-tensioner circuits are shorted to each other (shoulder belt)

DTC CONFIRMATION PROCEDURE (With CONSULT)

1. CHECK SELF-DIAG RESULT

1. Turn ignition switch ON.
2. Check for DTC using CONSULT.

Is the DTC detected?

YES (Current DTC)>>Refer to [SRC-100, "Diagnosis Procedure"](#).
YES (Past DTC)>>GO TO 2.
NO >> Inspection End.

2. ERASE SELF-DIAG RESULT

Erase the DTC using CONSULT.

Can the DTC be erased?

YES >> Inspection End.
NO >> Refer to [SRC-100, "Diagnosis Procedure"](#).

DTC CONFIRMATION PROCEDURE (Without CONSULT)

1. CHECK SELF-DIAG RESULT

1. Turn ignition switch ON.
2. Check the air bag warning lamp status. Refer to [SRC-16, "Trouble Diagnosis with CONSULT"](#).

NOTE:

SRS will not enter diagnosis mode if no malfunction is detected in user mode.

Is the DTC detected?

YES >> Refer to [SRC-100, "Diagnosis Procedure"](#).
NO >> Inspection End.

Diagnosis Procedure

INFOID:0000000012589591

1. HARNESS CONNECTOR

B1431 SEAT BELT PRE-TENSIONER

< DTC/CIRCUIT DIAGNOSIS >

Visually inspect all applicable harness connectors for the following:

- Visible damage to connector or terminal
- Loose terminal
- Poor connection

A

NOTE:

All harness connectors should be inspected from the air bag diagnosis sensor unit to the end component (including any in-line connectors).

B

Is the inspection result normal?

C

YES >> GO TO 2.

- NO >> Perform one of the following repairs:
- Visible damage: Replace the harness.
 - Loose terminal: Secure the terminal.
 - Poor connection: Secure the connection.

D

2. CONFIRM DTC

1. Reconnect all harness connectors.
2. Turn ignition switch ON.
3. Check for DTC using CONSULT.

E

Is DTC still current?

F

YES >> GO TO 3.

NO >> Refer to [GI-45. "Intermittent Incident"](#).

G

3. WIRING HARNESS

Check the wiring harness for visible damage.

NOTE:

The entire wiring harness should be inspected from the air bag diagnosis sensor unit to the end component (including any in-line connectors).

SRC

Is the inspection result normal?

I

YES >> GO TO 4.

NO >> Replace the harness.

4. CONFIRM DTC

J

1. Reconnect all harness connectors.
2. Turn ignition switch ON.
3. Check for DTC using CONSULT.

K

Is DTC still current?

YES >> GO TO 5.

NO >> Refer to [GI-45. "Intermittent Incident"](#).

L

5. AIR BAG DIAGNOSIS SENSOR UNIT

1. Replace the air bag diagnosis sensor unit. Refer to [SR-26. "Removal and Installation"](#).
2. Turn ignition switch ON.
3. Check for DTC using CONSULT.

M

Is DTC still current?

N

YES >> GO TO 6.

NO >> Clear DTC. Inspection End.

6. SEAT BELT PRE-TENSIONER RH

O

1. Replace the seat belt pre-tensioner RH. Refer to [SR-28. "Removal and Installation"](#).
2. Turn ignition switch ON.
3. Check for DTC using CONSULT.

P

Is DTC still current?

YES >> GO TO 7.

NO >> Clear DTC. Inspection End.

7. RELATED HARNESS

Replace the related harness.

B1431 SEAT BELT PRE-TENSIONER

< DTC/CIRCUIT DIAGNOSIS >

>> **END**

B1432 LAP PRE-TENSIONER

< DTC/CIRCUIT DIAGNOSIS >

B1432 LAP PRE-TENSIONER

Description

INFOID:0000000012620400

DTC B1432 SEAT BELT PRE-TENSIONER RH

The seat belt pre-tensioner RH is wired to the air bag diagnosis sensor unit. The air bag diagnosis sensor unit will monitor for opens and shorts in detected lines to the seat belt pre-tensioner RH.

PART LOCATION

Refer to [SRC-5, "Component Parts Location"](#).

DTC Logic

INFOID:0000000012589592

With CONSULT

DTC	CONSULT screen items (Trouble diagnosis content)		DTC detecting condition
B1432-13	PRE-TEN FRONT LH2	[OPEN]	Lap pre-tensioner LH circuit is open
B1432-12		[VB-SHORT]	Lap pre-tensioner LH circuit is shorted to power supply circuit
B1432-11		[GND-SHORT]	Lap pre-tensioner LH circuit is shorted to ground
B1432-09		[SHORT]	Lap pre-tensioner LH circuits are shorted to each other
B1432-1A		[SHORT]	Lap pre-tensioner LH circuits are shorted to each other

A
B
C
D
E
F
G
SRC
I
J
K
L
M
N
O
P

DTC CONFIRMATION PROCEDURE (With CONSULT)

1.CHECK SELF-DIAG RESULT

1. Turn ignition switch ON.
2. Check for DTC using CONSULT.

Is the DTC detected?

- YES (Current DTC)>>Refer to [SRC-103, "Diagnosis Procedure"](#).
- YES (Past DTC)>>GO TO 2.
- NO >> Inspection End.

2.ERASE SELF-DIAG RESULT

Erase the DTC using CONSULT.

Can the DTC be erased?

- YES >> Inspection End.
- NO >> Refer to [SRC-103, "Diagnosis Procedure"](#).

DTC CONFIRMATION PROCEDURE (Without CONSULT)

1.CHECK SELF-DIAG RESULT

1. Turn ignition switch ON.
2. Check the air bag warning lamp status. Refer to [SRC-14, "On Board Diagnosis Function"](#).

NOTE:

SRS will not enter diagnosis mode if no malfunction is detected in user mode.

Is the DTC detected?

- YES >> Refer to [SRC-103, "Diagnosis Procedure"](#).
- NO >> Inspection End.

Diagnosis Procedure

INFOID:0000000012589593

1.HARNES CONNECTOR

Visually inspect all applicable harness connectors for the following:

- Visible damage to connector or terminal
- Loose terminal

B1432 LAP PRE-TENSIONER

< DTC/CIRCUIT DIAGNOSIS >

- Poor connection

NOTE:

All harness connectors should be inspected from the air bag diagnosis sensor unit to the end component (including any in-line connectors).

Is the inspection result normal?

YES >> GO TO 2.

- NO >> Perform one of the following repairs:
- Visible damage: Replace the harness.
 - Loose terminal: Secure the terminal.
 - Poor connection: Secure the connection.

2. CONFIRM DTC

1. Reconnect all harness connectors.
2. Turn ignition switch ON.
3. Check for DTC using CONSULT.

Is DTC still current?

YES >> GO TO 3.

NO >> Refer to [GI-45, "Intermittent Incident"](#).

3. WIRING HARNESS

Check the wiring harness for visible damage.

NOTE:

The entire wiring harness should be inspected from the air bag diagnosis sensor unit to the end component (including any in-line connectors).

Is the inspection result normal?

YES >> GO TO 4.

NO >> Replace the harness.

4. CONFIRM DTC

1. Reconnect all harness connectors.
2. Turn ignition switch ON.
3. Check for DTC using CONSULT.

Is DTC still current?

YES >> GO TO 5.

NO >> Refer to [GI-45, "Intermittent Incident"](#).

5. AIR BAG DIAGNOSIS SENSOR UNIT

1. Replace the air bag diagnosis sensor unit. Refer to [SR-26, "Removal and Installation"](#).
2. Turn ignition switch ON.
3. Check for DTC using CONSULT.

Is DTC still current?

YES >> GO TO 6.

NO >> Clear DTC. Inspection End.

6. LAP PRE-TENSIONER LH

1. Replace the lap pre-tensioner LH. Refer to [SR-28, "Removal and Installation"](#).
2. Turn ignition switch ON.
3. Check for DTC using CONSULT.

Is DTC still current?

YES >> GO TO 7.

NO >> Clear DTC. Inspection End.

7. RELATED HARNESS

Replace the related harness.

>> **END**

B1433 LAP PRE-TENSIONER

< DTC/CIRCUIT DIAGNOSIS >

B1433 LAP PRE-TENSIONER

Description

INFOID:0000000012620401

DTC B1433 SEAT BELT PRE-TENSIONER RH

The seat belt pre-tensioner RH is wired to the air bag diagnosis sensor unit. The air bag diagnosis sensor unit will monitor for opens and shorts in detected lines to the seat belt pre-tensioner RH.

PART LOCATION

Refer to [SRC-5, "Component Parts Location"](#).

DTC Logic

INFOID:0000000012589594

With CONSULT

DTC	CONSULT screen items (Trouble diagnosis content)	DTC detecting condition
B1433-13	PRE-TEN FRONT RH2	[OPEN] Lap pre-tensioner RH circuit is open
B1433-12		[VB-SHORT] Lap pre-tensioner RH circuit is shorted to power supply circuit
B1433-11		[GND-SHORT] Lap pre-tensioner RH circuit is shorted to ground
B1433-09		[SHORT] Lap pre-tensioner RH circuits are shorted to each other
B1433-1A		[SHORT] Lap pre-tensioner RH circuits are shorted to each other

DTC CONFIRMATION PROCEDURE (With CONSULT)

1. CHECK SELF-DIAG RESULT

1. Turn ignition switch ON.
2. Check for DTC using CONSULT.

Is the DTC detected?

YES (Current DTC)>>Refer to [SRC-105, "Diagnosis Procedure"](#).

YES (Past DTC)>>GO TO 2.

NO >> Inspection End.

2. ERASE SELF-DIAG RESULT

Erase the DTC using CONSULT.

Can the DTC be erased?

YES >> Inspection End.

NO >> Refer to [SRC-105, "Diagnosis Procedure"](#).

DTC CONFIRMATION PROCEDURE (Without CONSULT)

1. CHECK SELF-DIAG RESULT

1. Turn ignition switch ON.
2. Check the air bag warning lamp status. Refer to [SRC-14, "On Board Diagnosis Function"](#).

NOTE:

SRS will not enter diagnosis mode if no malfunction is detected in user mode.

Is the DTC detected?

YES >> Refer to [SRC-105, "Diagnosis Procedure"](#).

NO >> Inspection End.

Diagnosis Procedure

INFOID:0000000012589595

1. HARNESS CONNECTOR

Visually inspect all applicable harness connectors for the following:

- Visible damage to connector or terminal
- Loose terminal

B1433 LAP PRE-TENSIONER

< DTC/CIRCUIT DIAGNOSIS >

- Poor connection

NOTE:

All harness connectors should be inspected from the air bag diagnosis sensor unit to the end component (including any in-line connectors).

Is the inspection result normal?

YES >> GO TO 2.

- NO >> Perform one of the following repairs:
- Visible damage: Replace the harness.
 - Loose terminal: Secure the terminal.
 - Poor connection: Secure the connection.

2.CONFIRM DTC

1. Reconnect all harness connectors.
2. Turn ignition switch ON.
3. Check for DTC using CONSULT.

Is DTC still current?

YES >> GO TO 3.

NO >> Refer to [GI-45, "Intermittent Incident"](#).

3.WIRING HARNESS

Check the wiring harness for visible damage.

NOTE:

The entire wiring harness should be inspected from the air bag diagnosis sensor unit to the end component (including any in-line connectors).

Is the inspection result normal?

YES >> GO TO 4.

NO >> Replace the harness.

4.CONFIRM DTC

1. Reconnect all harness connectors.
2. Turn ignition switch ON.
3. Check for DTC using CONSULT.

Is DTC still current?

YES >> GO TO 5.

NO >> Refer to [GI-45, "Intermittent Incident"](#).

5.AIR BAG DIAGNOSIS SENSOR UNIT

1. Replace the air bag diagnosis sensor unit. Refer to [SR-26, "Removal and Installation"](#).
2. Turn ignition switch ON.
3. Check for DTC using CONSULT.

Is DTC still current?

YES >> GO TO 6.

NO >> Clear DTC. Inspection End.

6.LAP PRE-TENSIONER RH

1. Replace the lap pre-tensioner RH. Refer to [SR-28, "Removal and Installation"](#).
2. Turn ignition switch ON.
3. Check for DTC using CONSULT.

Is DTC still current?

YES >> GO TO 7.

NO >> Clear DTC. Inspection End.

7.RELATED HARNESS

Replace the related harness.

>> **END**

B142A IGNITION VOLTAGE

< DTC/CIRCUIT DIAGNOSIS >

B142A IGNITION VOLTAGE

Description

INFOID:0000000012590105

DTC B142A IGNITION VOLTAGE

Ignition voltage is supplied to the air bag diagnosis sensor unit when the ignition is in the ON position. The air bag diagnosis sensor unit will monitor for low or high ignition voltage.

PART LOCATION

Refer to [SRC-5, "Component Parts Location"](#).

DTC Logic

INFOID:0000000012620402

DTC DETECTION LOGIC

With CONSULT

DTC	CONSULT screen items (Trouble diagnosis content)		DTC detecting condition
B142A-16	IGN VOLTAGE	[VB-LOW]	Ignition voltage low at air bag diagnosis sensor unit.
B142A-17		[VB-HIGH]	Ignition voltage high at air bag diagnosis sensor unit.

DTC CONFIRMATION PROCEDURE (With CONSULT)

1. CHECK SELF-DIAG RESULT

- Turn ignition switch ON.
- Check for DTC using CONSULT.

Is the DTC detected?

YES (Current DTC)>>Refer to [SRC-107, "Diagnosis Procedure"](#).

YES (Past DTC)>>GO TO 2.

NO >> Inspection End.

2. ERASE SELF-DIAG RESULT

Erase the DTC using CONSULT.

Can the DTC be erased?

YES >> Inspection End.

NO >> Refer to [SRC-107, "Diagnosis Procedure"](#).

DTC CONFIRMATION PROCEDURE (Without CONSULT)

1. CHECK SELF-DIAG RESULT

- Turn ignition switch ON.
- Check the air bag warning lamp status. Refer to [SRC-14, "On Board Diagnosis Function"](#).

NOTE:

SRS will not enter diagnosis mode if no malfunction is detected in user mode.

Is the DTC detected?

YES >> Refer to [SRC-107, "Diagnosis Procedure"](#).

NO >> Inspection End.

Diagnosis Procedure

INFOID:0000000012590107

1. HARNESS CONNECTOR

Visually inspect all applicable harness connectors for the following:

- Visible damage to connector or terminal
- Loose terminal
- Poor connection

NOTE:

A
B
C
D
E
F
G
I
J
K
L
M
N
O
P

SRC

B142A IGNITION VOLTAGE

< DTC/CIRCUIT DIAGNOSIS >

All harness connectors should be inspected from the air bag diagnosis unit to the end component (including any in-line connectors).

Is the inspection result normal?

YES >> GO TO 2.

NO >> Perform one of the following repairs:

- Visible damage: Replace the harness.
- Loose terminal: Secure the terminal.
- Poor connection: Secure the connection.

2.CONFIRM DTC

1. Reconnect all harness connectors.
2. Turn ignition switch ON.
3. Check for DTC using CONSULT.

Is DTC still current?

YES >> GO TO 3

NO >> Refer to [GI-45, "Intermittent Incident"](#).

3.WIRING HARNESS

Check the wiring harness for visible damage.

NOTE:

The entire wiring harness should be inspected from the air bag diagnosis sensor unit to the end component (including any in-line connectors).

Is the inspection result normal?

YES >> GO TO 4.

NO >> Replace the harness.

4.CONFIRM DTC

1. Reconnect all harness connectors.
2. Turn ignition switch ON.
3. Check for DTC using CONSULT.

Is DTC still current?

YES >> GO TO 5.

NO >> Refer to [GI-45, "Intermittent Incident"](#).

5.AIR BAG DIAGNOSIS SENSOR UNIT

1. Replace the air bag diagnosis sensor unit. Refer to [SR-26, "Removal and Installation"](#).
2. Turn ignition switch ON.
3. Check for DTC using CONSULT.

Is DTC still current?

YES >> GO TO 6.

NO >> Clear DTC. Inspection End.

6.RELATED HARNESS

Replace the related harness.

>> **END**

B142X COLLISION DETECTION

< DTC/CIRCUIT DIAGNOSIS >

B142X COLLISION DETECTION

Description

INFOID:0000000012590114

DTC B142X COLLISION DETECTION

The air bag diagnosis sensor unit will set this DTC if it has detected a collision which has resulted in a deployment of one or more air bags or pre-tensioners. If this DTC is detected after a SRS repair, the air bag diagnosis sensor unit has not yet been replaced. This DTC can not be erased.

PART LOCATION

Refer to [SRC-5, "Component Parts Location"](#).

DTC Logic

INFOID:0000000012620498

With CONSULT

DTC	CONSULT screen items (Trouble diagnosis content)		DTC detecting condition
B1421-00	FRONTAL COLLISION	[—]	Frontal collision detected. Driver and/or front passenger air bag modules are deployed.
B1422-00	SIDE COLLISION	[—]	Side collision detected. Curtain air bag module and seat belt pre-tensioner are deployed.

DTC CONFIRMATION PROCEDURE (With CONSULT)

1.INSPECTION START

Turn ignition switch ON.

>> GO TO 2.

2.CHECK SELF-DIAG RESULT

Check for the DTC on CONSULT.

Is the DTC detected?

YES >> Refer to [SRC-109, "Diagnosis Procedure"](#).

NO >> Inspection End.

Diagnosis Procedure

INFOID:0000000012590116

Refer to [SR-5, "FOR FRONTAL COLLISION : When SRS is activated in a collision"](#) or [SR-7, "FOR SIDE AND ROLLOVER COLLISION : When SRS is activated in a collision"](#).

B14XX AIR BAG DIAGNOSIS SENSOR UNIT

< DTC/CIRCUIT DIAGNOSIS >

B14XX AIR BAG DIAGNOSIS SENSOR UNIT

Description

INFOID:000000012425050

DTC B1XXX AIR BAG DIAGNOSIS SENSOR UNIT

The air bag diagnosis sensor unit will run self diagnostics when the ignition switch is turned ON. It has the potential to set many diagnostic trouble codes which will conform to the B1XXX format, but will not match any other SRS diagnostic trouble codes. Refer to [SRC-16. "CONSULT Function \(AIR BAG\)"](#).

DTC Logic

INFOID:000000012620499

With CONSULT

DTC	CONSULT screen items (Trouble diagnosis content)		DTC detecting condition
	CONTROL UNIT	[UNIT FAIL]	
B14XX	AIRBAG DISPOSAL COMPLETION	[—]	Air bag diagnosis sensor unit is malfunctioning.

DTC CONFIRMATION PROCEDURE (With CONSULT)

1. CHECK SELF-DIAG RESULT

1. Turn ignition switch ON.
2. Check for DTC using CONSULT.

Is the DTC detected?

YES (Current DTC)>>Refer to [SRC-110. "Diagnosis Procedure"](#).

YES (Past DTC)>>GO TO 2.

NO >> Inspection End.

2. ERASE SELF-DIAG RESULT

Erase the DTC using CONSULT.

Can the DTC be erased?

YES >> Inspection End.

NO >> Refer to [SRC-110. "Diagnosis Procedure"](#).

DTC CONFIRMATION PROCEDURE (Without CONSULT)

1. CHECK SELF-DIAG RESULT

1. Turn ignition switch ON.
2. Check the air bag warning lamp status. Refer to [SRC-14. "On Board Diagnosis Function"](#).

NOTE:

SRS will not enter diagnosis mode if no malfunction is detected in user mode.

Is the DTC detected?

YES >> Refer to [SRC-110. "Diagnosis Procedure"](#).

NO >> Inspection End.

Diagnosis Procedure

INFOID:000000012425052

1. HARNESS CONNECTOR

Visually inspect all applicable harness connectors for the following:

- Visible damage to connector or terminal
- Loose terminal
- Poor connection

NOTE:

All harness connectors should be inspected from the air bag diagnosis sensor unit to the end component (including any in-line connectors).

Is the inspection result normal?

B14XX AIR BAG DIAGNOSIS SENSOR UNIT

< DTC/CIRCUIT DIAGNOSIS >

YES >> GO TO 2.

- NO >> Perform one of the following repairs:
- Visible damage: Replace the harness.
 - Loose terminal: Secure the terminal.
 - Poor connection: Secure the connection.

A
B

2.CONFIRM DTC

1. Reconnect all harness connectors.
2. Turn ignition switch ON.
3. Check for DTC using CONSULT.

C

Is DTC still current?

YES >> GO TO 3.

NO >> Refer to [GI-45, "Intermittent Incident"](#).

D

3.WIRING HARNESS

Check the wiring harness for visible damage.

NOTE:

The entire wiring harness should be inspected from the air bag diagnosis sensor unit to the end component (including any in-line connectors).

E

F

Is the inspection result normal?

YES >> GO TO 4.

NO >> Replace the harness.

G

4.CONFIRM DTC

1. Reconnect all harness connectors.
2. Turn ignition switch ON.
3. Check for DTC using CONSULT.

SRC

Is DTC still current?

YES >> GO TO 5.

NO >> Refer to [GI-45, "Intermittent Incident"](#).

I

5.AIR BAG DIAGNOSIS SENSOR UNIT

J

1. Replace the air bag diagnosis sensor unit. Refer to [SR-26, "Removal and Installation"](#).
2. Turn ignition switch ON.
3. Check for DTC using CONSULT.

K

Is DTC still current?

YES >> GO TO 6.

NO >> Clear DTC. Inspection End.

L

6.RELATED HARNESS

Replace the related harness.

M

>> END

N

O

P

B1427 CONFIG SETTING

< DTC/CIRCUIT DIAGNOSIS >

B1427 CONFIG SETTING

DTC Description

INFOID:0000000012590126

DTC DETECTION LOGIC

DTC	CONSULT screen items (Trouble diagnosis content)		DTC detecting condition
B1427-55	ECU SETTING (Configuration setting)	[NOT CONFIGURED]	Air bag diagnosis sensor unit not configured

POSSIBLE CAUSE

When air bag diagnosis sensor unit is replaced.

FAIL-SAFE

—

Diagnosis Procedure

INFOID:0000000012590127

1.PERFORM CONFIGURATION

Perform configuration for air bag diagnosis sensor unit.

>> Refer to [SRC-41, "CONFIGURATION : Work Procedure"](#).

SRS AIR BAG WARNING LAMP DOES NOT TURN ON

< SYMPTOM DIAGNOSIS >

SYMPTOM DIAGNOSIS

SRS AIR BAG WARNING LAMP DOES NOT TURN ON

AIR BAG Warning Lamp Does Not Turn On

INFOID:0000000012425069

1. CHECK METER FUSE

Check the 10A fuse [No. 13, located in the fuse block (J/B)].

Is the fuse blown?

YES >> GO TO 2.

NO >> GO TO 3.

2. REPLACE METER FUSE AND CHECK AGAIN

Replace 10A fuse [No. 13, located in the fuse block (J/B)] and turn ignition switch ON.

Does the fuse blow again?

YES >> Replace fuse and harness.

NO >> Inspection End.

3. CHECK HARNESS CONNECTIONS BETWEEN AIR BAG DIAGNOSIS SENSOR UNIT AND COMBINATION METER

Inspect the harness and connectors between the air bag diagnosis sensor unit and the combination meter.

Do the harness or connectors have any visible damage?

YES >> Replace harness.

NO >> GO TO 4.

4. CHECK COMBINATION METER

Disconnect the air bag diagnosis sensor unit harness connectors and turn ignition switch ON.

Does AIR BAG warning lamp turn on?

YES >> Replace the air bag diagnosis sensor unit. Refer to [SR-26, "Removal and Installation"](#).

NO >> Replace the combination meter. Refer to [MWI-84, "Removal and Installation"](#).

A
B
C
D
E
F
G
I
J
K
L
M
N
O
P

SRC

SRS AIR BAG WARNING LAMP DOES NOT TURN OFF

< SYMPTOM DIAGNOSIS >

SRS AIR BAG WARNING LAMP DOES NOT TURN OFF

AIR BAG Warning Lamp Does Not Turn Off

INFOID:000000012425070

1.CHECK CONDITION OF AIR BAG MODULE

Inspect for any deployed air bag modules or seat belt pre-tensioners.

Are any air bag modules or seat belt pre-tensioners deployed?

YES >> Refer to Frontal collision: [SR-5, "FOR FRONTAL COLLISION : When SRS is activated in a collision"](#), [SR-6, "FOR FRONTAL COLLISION : When SRS is not activated in a collision"](#) or Side and rollover collision: [SR-7, "FOR SIDE AND ROLLOVER COLLISION : When SRS is activated in a collision"](#), [SR-9, "FOR SIDE AND ROLLOVER COLLISION : When SRS is not activated in a collision"](#).

NO >> GO TO 2.

2.CHECK THE AIR BAG FUSE

Check 10A fuse [No. 32, located in the fuse block (J/B)].

Is the fuse blown?

YES >> GO TO 3.

NO >> GO TO 4.

3.CHECK AIR BAG FUSE AGAIN

Replace 10A fuse [No. 32, located in the fuse block (J/B)] and turn ignition switch ON.

Does the fuse blow again?

YES >> Replace fuse and harness.

NO >> Inspection End.

4.CHECK AIR BAG DIAGNOSIS SENSOR UNIT

Connect CONSULT.

Is "AIR BAG" displayed on CONSULT?

YES >> GO TO 5.

NO >> Visually inspect the air bag diagnosis sensor unit harness connections. If the connections are OK, replace the air bag diagnosis sensor unit. Refer to [SR-26, "Removal and Installation"](#).

5.CHECK HARNESS CONNECTION

Check for loose connections between the combination meter and the air bag diagnosis sensor unit.

Are there any loose connections?

YES >> Properly connect the combination meter and air bag diagnosis sensor unit harness connectors. If AIR BAG warning lamp still does not turn off, replace the wiring harness.

NO >> Replace air bag diagnosis sensor unit. Refer to [SR-26, "Removal and Installation"](#).

SEAT BELT WARNING SYSTEM

< SYMPTOM DIAGNOSIS >

SEAT BELT WARNING SYSTEM

Seat Belt Warning System Does Not Function

INFOID:000000012425071

1. SEAT BELT WARNING LIGHT

Turn ignition switch ON.

Does the seat belt warning lamp come ON?

YES >> GO TO 2.

- NO >>
- Check 10A fuse [No. 13, located in the fuse block (J/B)].
 - Check seat belt buckle switch (driver seat).
 - Check harness between combination meter and seat belt buckle switch (driver seat).
 - Check combination meter. Refer to [MWI-30, "Fail-safe"](#).

2. SEAT BELT BUCKLE (DRIVER SEAT)

Fasten the seat belt buckle (driver seat).

Does the seat belt warning lamp go OFF?

YES >> GO TO 3.

- NO >>
- Check seat belt buckle switch (driver seat).
 - Check harness between combination meter and seat belt buckle switch (driver seat).

3. OCCUPANT CLASSIFICATION SYSTEM

Have a helper sit in the passenger seat.

Does the seat belt warning lamp go ON?

YES >> GO TO 4.

- NO >>
- Check occupant classification system. Refer to [SRC-11, "OCCUPANT CLASSIFICATION SYSTEM : System Description"](#).
 - Check harness between occupant classification control unit and air bag diagnosis sensor unit.

4. SEAT BELT BUCKLE (PASSENGER SEAT)

Fasten the seat belt buckle (passenger seat).

Does the seat belt warning lamp go OFF?

YES >> System OK.

- NO >>
- Check seat belt buckle switch (passenger seat).
 - Check harness between seat belt buckle switch (passenger seat) and air bag diagnosis sensor unit.
 - Replace air bag diagnosis sensor unit. Refer to [SR-26, "Removal and Installation"](#).

A
B
C
D
E
F
G
I
J
K
L
M
N
O
P

SRC

A/B WARNING LAMP IS OFF, PASS A/B INDCTR LAMP TURNS ON INTERMIT

< SYMPTOM DIAGNOSIS >

A/B WARNING LAMP IS OFF, PASS A/B INDCTR LAMP TURNS ON INTERMIT

Description

INFOID:000000012425072

SRS air bag warning lamp is OFF, passenger air bag indicator lamp turns ON intermittently with a person of adult stature seated normally in the passenger seat.

Diagnosis Procedure

INFOID:000000012425073

1. REPLACE OCS SENSORS

1. Replace the OCS sensors. Refer to [SR-30. "Removal and Installation"](#).
2. Perform zero point reset. Refer to [SRC-40. "ZERO POINT RESET : Description"](#).

Is symptom still present?

- YES >> GO TO 2.
NO >> Inspection End.

2. REPLACE PASSENGER SEAT CUSHION FRAME

1. Replace the passenger seat cushion frame. Refer to [SE-59. "Seat Cushion"](#).
2. Perform zero point reset. Refer to [SRC-40. "ZERO POINT RESET : Description"](#).

>> Inspection End.

SEAT BELT INDCTR LAMP IS ON, PASS AIR BAG INDCTR IS ON OR OFF

< SYMPTOM DIAGNOSIS >

SEAT BELT INDCTR LAMP IS ON, PASS AIR BAG INDCTR IS ON OR OFF

Description

INFOID:000000012425074

Vehicle conditions:

- Seat belt indicator lamp is ON, passenger air bag indicator lamp is ON or OFF
- Passenger seat is unoccupied
- Driver seat belt is buckled
- Passenger seat belt buckle harness and seat belt buckle switch are OK (buckle passenger seat belt to check if seat belt indicator lamp turns OFF, driver seat belt needs to be buckled)

Diagnosis Procedure

INFOID:000000012425075

1. REPLACE OCS SENSORS

1. Replace the OCS sensors. Refer to [SR-30. "Removal and Installation"](#).
2. Perform zero point reset. Refer to [SRC-40. "ZERO POINT RESET : Description"](#).

Is symptom still present?

YES >> GO TO 2.

NO >> Inspection End.

2. REPLACE PASSENGER SEAT CUSHION FRAME

1. Replace the passenger seat cushion frame. Refer to [SE-59. "Seat Cushion"](#).
2. Perform zero point reset. Refer to [SRC-40. "ZERO POINT RESET : Description"](#).

>> Inspection End.

A
B
C
D
E
F
G
I
J
K
L
M
N
O
P

SRC