

SECTION **CHG**
CHARGING SYSTEM

A
B
C
D
E
F
G
H
I
J
K
L
CHG
N
O
P

CONTENTS

BASIC INSPECTION	2	PRECAUTION	16
DIAGNOSIS AND REPAIR WORKFLOW	2	PRECAUTIONS	16
Work Flow	2	FOR USA AND CANADA	16
FUNCTION DIAGNOSIS	5	FOR USA AND CANADA : Precaution for Supplemental Restraint System (SRS) "AIR BAG" and "SEAT BELT PRE-TENSIONER"	16
CHARGING SYSTEM	5	FOR MEXICO	16
System Diagram	5	FOR MEXICO : Precaution for Supplemental Restraint System (SRS) "AIR BAG" and "SEAT BELT PRE-TENSIONER"	16
System Description	5	PREPARATION	17
Component Parts Location	5	PREPARATION	17
Component Description	6	Special Service Tools	17
COMPONENT DIAGNOSIS	7	Commercial Service Tools	17
B TERMINAL CIRCUIT	7	ON-VEHICLE MAINTENANCE	18
Description	7	CHARGING SYSTEM PRELIMINARY INSPECTION	18
Diagnosis Procedure	7	Inspection Procedure	18
L TERMINAL CIRCUIT (OPEN)	8	ON-VEHICLE REPAIR	19
Description	8	ALTERNATOR	19
Diagnosis Procedure	8	Exploded View	19
L TERMINAL CIRCUIT (SHORT)	10	Removal and Installation	20
Description	10	Inspection	21
Diagnosis Procedure	10	SERVICE DATA AND SPECIFICATIONS (SDS)	22
S TERMINAL CIRCUIT	11	SERVICE DATA AND SPECIFICATIONS (SDS)	22
Description	11	Alternator	22
Diagnosis Procedure	11		
CHARGING SYSTEM	12		
Wiring Diagram - CHARGING SYSTEM -	12		
SYMPTOM DIAGNOSIS	15		
CHARGING SYSTEM	15		
Symptom Table	15		

DIAGNOSIS AND REPAIR WORKFLOW

< BASIC INSPECTION >

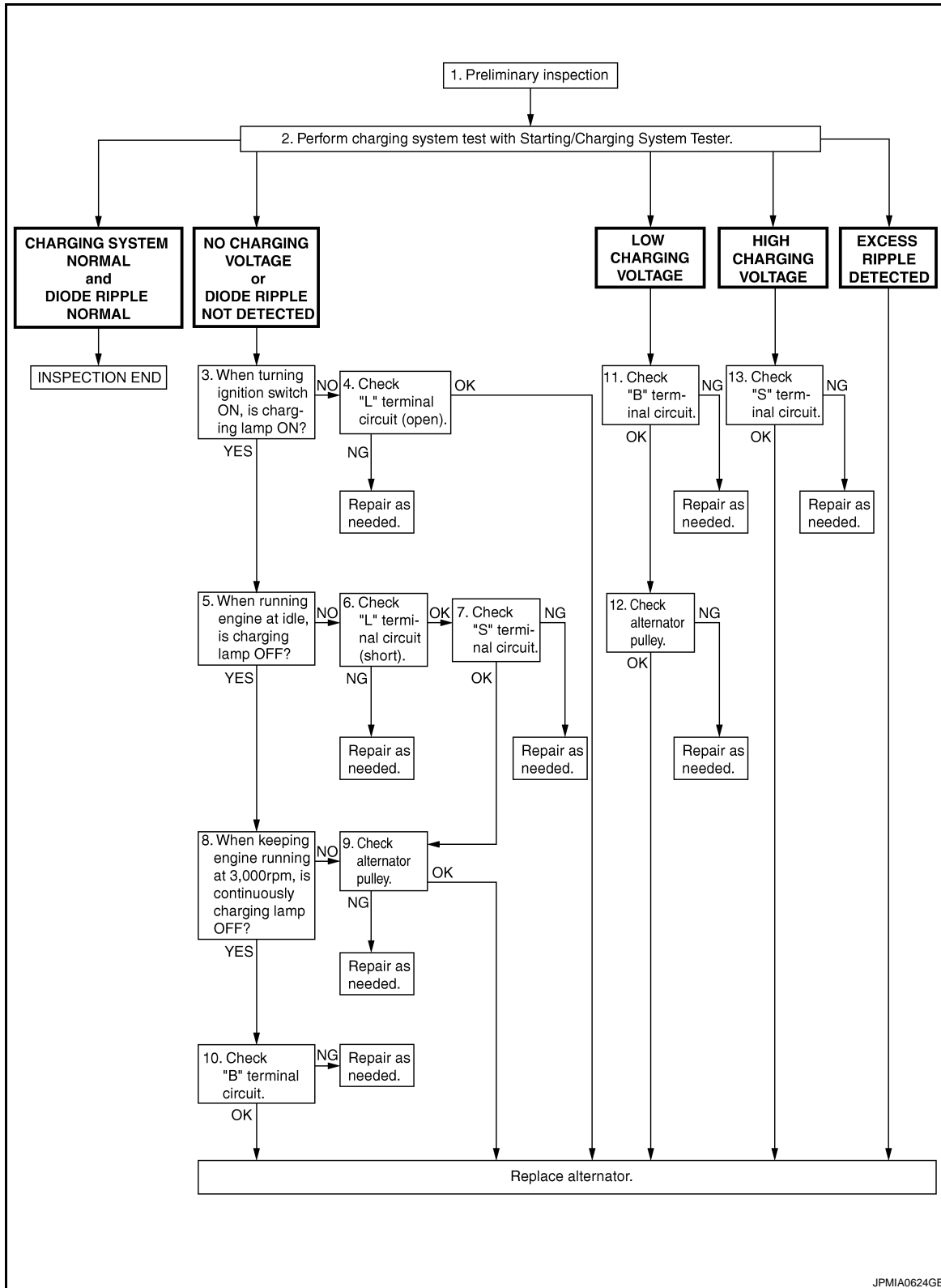
BASIC INSPECTION

DIAGNOSIS AND REPAIR WORKFLOW

Work Flow

INFOID:000000001767683

OVEROALL SEQUENCE



DETAILED FLOW

DIAGNOSIS AND REPAIR WORKFLOW

< BASIC INSPECTION >

NOTE:

To ensure a complete and thorough diagnosis, the battery, starter and alternator test segments must be done as a set from start to finish.

1. PRELIMINARY INSPECTION

Perform the preliminary inspection. Refer to [CHG-18, "Inspection Procedure"](#).

>> GO TO 2.

2. DIAGNOSIS WITH STARTING/CHARGING SYSTEM TESTER

Perform the charging system test using Starting/Charging System Tester (SST: J-44373). For details and operating instructions, refer to Technical Service Bulletin.

Test result

CHARGING SYSTEM NOMAL>>Charging system is normal and will also show "DIODE RIPPLE" test result.

NO CHARGING VOLTAGE>>GO TO 3.

LOW CHARGING VOLTAGE>>GO TO 11.

HIGH CHARGING VOLTAGE>>GO TO 13.

DIODE RIPPLE NORMAL>>Diode ripple is OK and will also show "CHARGING VOLTAGE" test result.

EXCESS RIPPLE DETECTED>>Replace the alternator. Perform "DIODE RIPPLE" test again using Starting/Charging System Tester (SST: J-44373) to confirm repair.

DIODE RIPPLE NOT DETECTED>>GO TO 4.

3. INSPECTION WITH CHARGE WARNING LAMP (IGNITION SWITCH IS ON)

Turn the ignition switch ON.

Does the charge warning lamp illuminate?

YES >> GO TO 5.

NO >> GO TO 4.

4. "L" TERMINAL CIRCUIT (OPEN) INSPECTION

Check "L" terminal circuit (open). Refer to [CHG-8, "Diagnosis Procedure"](#).

Is the "L" terminal circuit normal?

YES >> Replace alternator.

NO >> Repair as needed.

5. INSPECTION WITH CHARGE WARNING LAMP (IDLING)

Start the engine and run it at idle.

Does the charge warning lamp turn OFF?

YES >> GO TO 8.

NO >> GO TO 6.

6. "L" TERMINAL CIRCUIT (SHORT) INSPECTION

Check "L" terminal circuit (short). Refer to [CHG-10, "Diagnosis Procedure"](#).

Is the "L" terminal circuit normal?

YES >> GO TO 7.

NO >> Repair as needed.

7. "S" TERMINAL CIRCUIT INSPECTION

Check "S" terminal circuit. Refer to [CHG-11, "Diagnosis Procedure"](#).

Is the "S" terminal circuit normal?

YES >> GO TO 9.

NO >> Repair as needed.

8. INSPECTION WITH CHARGE WARNING LAMP (ENGINE AT 3,000 RPM)

Increase and maintain the engine speed at 3,000 rpm.

Does the charge warning lamp remain off?

YES >> GO TO 10.

NO >> GO TO 9.

A
B
C
D
E
F
G
H
I
J
K
L

CHG

N
O
P

DIAGNOSIS AND REPAIR WORKFLOW

< BASIC INSPECTION >

9. INSPECTION OF ALTERNATOR PULLEY

Check alternator pulley. Refer to [CHG-21, "Inspection"](#).

Is alternator pulley normal?

YES >> Replace alternator.

NO >> Repair as needed.

10. "B" TERMINAL CIRCUIT INSPECTION

Check "B" terminal circuit. Refer to [CHG-7, "Diagnosis Procedure"](#).

Is "B" terminal circuit normal?

YES >> Replace alternator.

NO >> Repair as needed.

11. "B" TERMINAL CIRCUIT INSPECTION

Check "B" terminal circuit. Refer to [CHG-7, "Diagnosis Procedure"](#).

Is "B" terminal circuit normal?

YES >> GO TO 12.

NO >> Repair as needed.

12. INSPECTION OF ALTERNATOR PULLEY

Check alternator pulley. Refer to [CHG-21, "Inspection"](#).

Is alternator pulley normal?

YES >> Replace alternator.

NO >> Repair as needed.

13. "S" TERMINAL CIRCUIT INSPECTION

Check "S" terminal circuit. Refer to [CHG-11, "Diagnosis Procedure"](#).

Is the "S" terminal circuit normal?

YES >> Replace alternator.

NO >> Repair as needed.

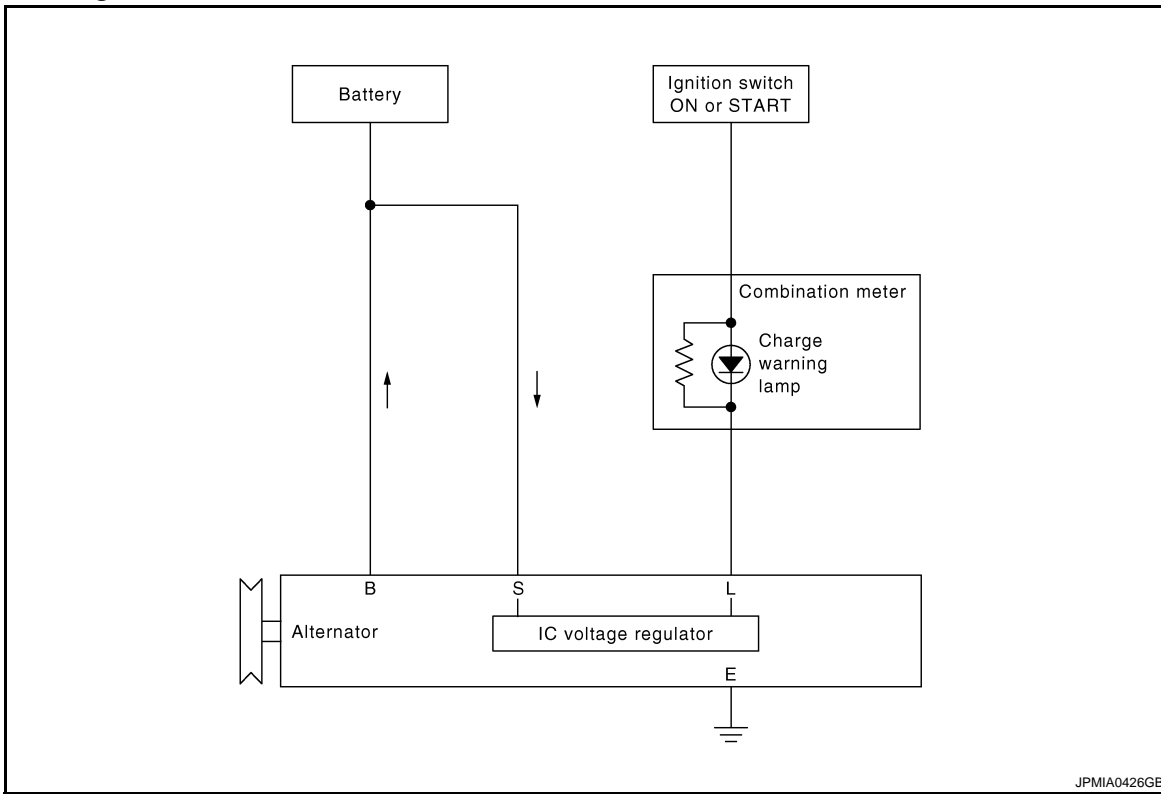
CHARGING SYSTEM

< FUNCTION DIAGNOSIS >

FUNCTION DIAGNOSIS

CHARGING SYSTEM

System Diagram



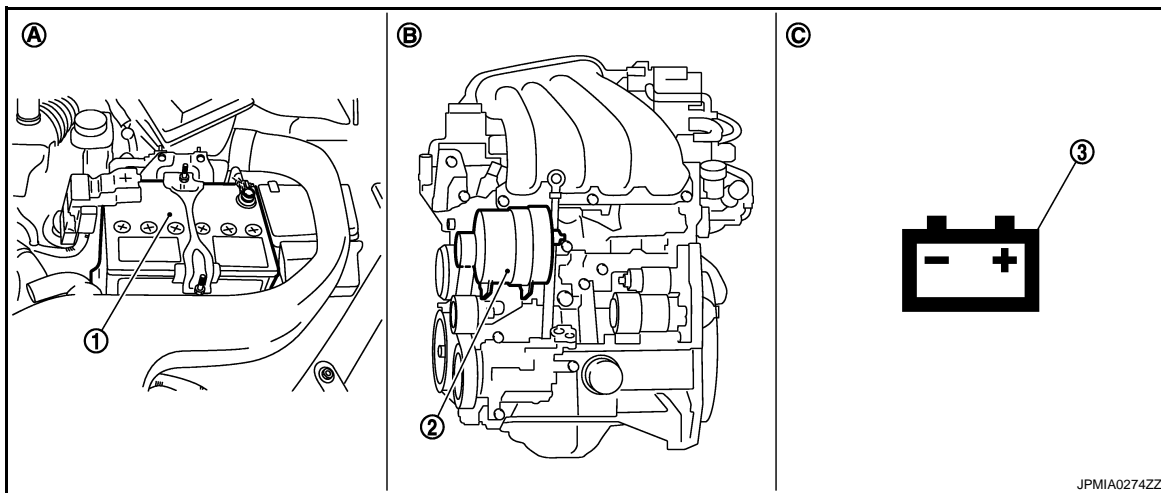
System Description

INFOID:000000001697839

The alternator provides DC voltage to operate the vehicle's electrical system and to keep the battery charged. The voltage output is controlled by the IC voltage regulator.

Component Parts Location

INFOID:000000001697840



- 1. Battery
- A. Engine room (left side)

- 2. Alternator
- B. Engine

- 3. Charge warning lamp
- C. Combination meter

A
B
C
D
E
F
G
H
I
J
K
L
N
O
P

CHG

CHARGING SYSTEM

< FUNCTION DIAGNOSIS >

Component Description

INFOID:000000001697841

Component part		Description
Alternator	"B" terminal	Refer to CHG-7, "Description" .
	"S" terminal	Refer to CHG-11, "Description" .
	"L" terminal	Refer to CHG-8, "Description" .
Combination meter (Charge warning lamp)		The IC voltage regulator warning function activates to illuminate the charge warning lamp, if any of the following symptoms occur while alternator is operating: <ul style="list-style-type: none">• Excessive voltage is produced.• No voltage is produced.

B TERMINAL CIRCUIT

< COMPONENT DIAGNOSIS >

COMPONENT DIAGNOSIS

B TERMINAL CIRCUIT

Description

INFOID:000000001697842

"B" terminal circuit supplies power to charge the battery and to operate the vehicle's electrical system.

Diagnosis Procedure

INFOID:000000001697843

1. CHECK "B" TERMINAL CONNECTION

1. Turn ignition switch OFF.
2. Check if "B" terminal is clean and tight.

Is the inspection result normal?

- YES >> GO TO 2.
NO >> Repair "B" terminal connection.

2. CHECK "B" TERMINAL CIRCUIT

Check voltage between alternator "B" terminal and ground.

Terminals			Voltage (Approx.)
(+)	(-)		
Alternator "B" terminal	Terminal	Ground	Battery voltage
F59	1		

Is the inspection result normal?

- YES >> GO TO 3.
NO >> Check harness for open between alternator and fusible link.

3. CHECK "B" TERMINAL CONNECTION (VOLTAGE DROP TEST)

1. Start engine, then engine running at idle and warm.
2. Check voltage between battery positive terminal and alternator "B" terminal.

Terminals			Voltage (Approx.)
(+)	(-)		
Battery positive terminal	Alternator "B" terminal	Terminal	Less than 0.2 V
	F59	1	

Is the inspection result normal?

- YES >> "B" terminal circuit is normal. Refer to [CHG-2, "Work Flow"](#).
NO >> Check harness between battery and alternator for poor continuity.

A
B
C
D
E
F
G
H
I
J
K
L
N
O
P

CHG

L TERMINAL CIRCUIT (OPEN)

< COMPONENT DIAGNOSIS >

L TERMINAL CIRCUIT (OPEN)

Description

INFOID:000000001697844

The "L" terminal circuit controls the charge warning lamp. The charge warning lamp illuminates when the ignition switch is set to ON or START. When the alternator is providing sufficient voltage with the engine running, the charge warning lamp will go off. If the charge warning lamp illuminates with the engine running, a malfunction is indicated.

Diagnosis Procedure

INFOID:000000001697845

1. CHECK "L" TERMINAL CONNECTION

1. Turn ignition switch OFF.
2. Check if "L" terminal is clean and tight.

Is the inspection result normal?

- YES >> GO TO 2.
NO >> Repair "L" terminal connection.

2. CHECK "L" TERMINAL CIRCUIT (OPEN)

1. Disconnect alternator connector.
2. Apply ground to alternator harness connector terminal.
3. Check condition of the charge warning lamp with the ignition switch in the ON position.

Alternator harness connector	Terminal	Ground	Condition	
			Ignition switch position	Charge warning lamp
F60	3		ON	Illuminate

Does it illuminate?

- YES >> "L" terminal circuit is normal. Refer to [CHG-2, "Work Flow"](#).
NO >> GO TO 3.

3. CHECK HARNESS CONTINUITY (OPEN CIRCUIT)

1. Disconnect the battery cable from the negative terminal.
2. Disconnect the combination meter connector.
3. Check continuity between alternator harness connector and combination meter harness connector.

Alternator harness connector		Combination meter harness connector		Continuity
Connector No.	Terminal No.	Connector No.	Terminal No.	
F60	3	M34	25	Existed

Is the inspection result normal?

- YES >> GO TO 4.
NO >> Repair the harness or connector.

4. CHECK HARNESS CONTINUITY (OPEN CIRCUIT)

Check continuity between combination meter harness connector M34 terminal 2 and 10A fuse [No.3, located in the fuse block (J/B)].

Does continuity exist?

- YES >> GO TO 5.
NO >> Repair the harness.

5. CHECK POWER SUPPLY CIRCUIT

1. Connect the battery cable to the negative terminal.
2. Check voltage between combination meter harness connector and ground.

L TERMINAL CIRCUIT (OPEN)

< COMPONENT DIAGNOSIS >

Terminals		(-)	Condition	Voltage (Approx.)
(+)				
Combination meter harness connector	Terminal			
M34	2	Ground	When the ignition switch is in ON position	Battery voltage

Is the inspection result normal?

YES >> Replace combination meter.

NO >> Inspect the power supply circuit. Refer to [PG-40, "Wiring Diagram - IGNITION POWER SUPPLY - "](#)

A
B
C
D
E
F
G
H
I
J
K
L

CHG

N
O
P

L TERMINAL CIRCUIT (SHORT)

< COMPONENT DIAGNOSIS >

L TERMINAL CIRCUIT (SHORT)

Description

INFOID:000000001697846

The "L" terminal circuit controls the charge warning lamp. The charge warning lamp illuminates when the ignition switch is set to ON or START. When the alternator is providing sufficient voltage with the engine running, the charge warning lamp will go off. If the charge warning lamp illuminates with the engine running, a malfunction is indicated.

Diagnosis Procedure

INFOID:000000001697847

1. CHECK "L" TERMINAL CIRCUIT (SHORT)

1. Turn ignition switch OFF.
2. Disconnect alternator connector.
3. Turn ignition switch ON.

Does charge warning lamp illuminate?

- YES >> GO TO 2.
NO >> Refer to [CHG-2. "Work Flow"](#).

2. CHECK HARNESS CONTINUITY (SHORT CIRCUIT)

1. Turn the ignition switch OFF.
2. Disconnect the battery cable from the negative terminal.
3. Disconnect combination meter connector.
4. Check continuity between combination meter harness connector and ground.

Combination meter harness connector		Ground	Continuity
Connector No.	Terminal No.		
M34	25		Not existed

Is the inspection result normal?

- YES >> Replace combination meter.
NO >> Repair the harness.

S TERMINAL CIRCUIT

< COMPONENT DIAGNOSIS >

S TERMINAL CIRCUIT

Description

INFOID:000000001697848

The output voltage of the alternator is controlled by the IC voltage regulator at the "S" terminal detecting the input voltage.

The "S" terminal circuit detects the battery voltage to adjust the alternator output voltage with the IC voltage regulator.

Diagnosis Procedure

INFOID:000000001697849

1. CHECK "S" TERMINAL CONNECTION

1. Turn ignition switch OFF.
2. Check if "S" terminal is clean and tight.

Is the inspection result normal?

YES >> GO TO 2.

NO >> Repair "S" terminal connection.

2. CHECK "S" TERMINAL CIRCUIT

Check voltage between alternator harness connector and ground.

Terminals		Voltage (Approx.)
(+)	(-)	
Alternator harness connector	Terminal	Battery voltage
F60	4	

Is the inspection result normal?

YES >> Refer to [CHG-2, "Work Flow"](#).

NO >> Check harness for open between alternator and fuse.

A
B
C
D
E
F
G
H
I
J
K
L
N
O
P

CHG

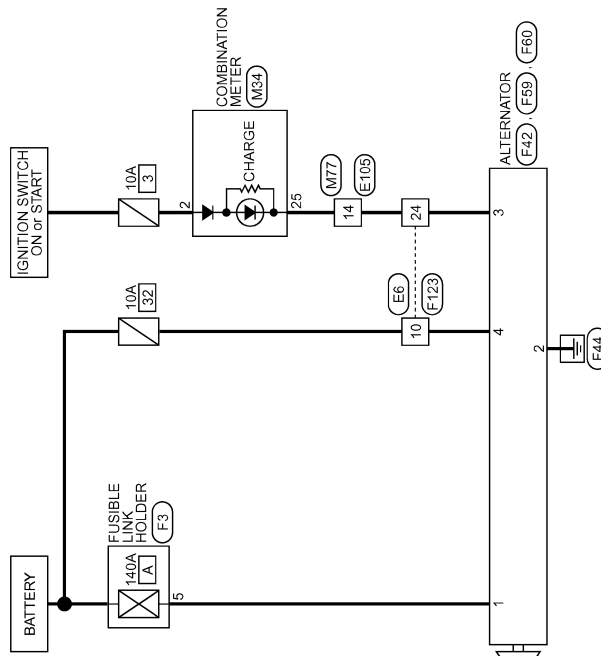
CHARGING SYSTEM

< COMPONENT DIAGNOSIS >

CHARGING SYSTEM

Wiring Diagram - CHARGING SYSTEM -

INFOID:000000001697850



CHARGING SYSTEM

2007/07/13

JCMWM1041G

CHARGING SYSTEM

< COMPONENT DIAGNOSIS >

CHARGING SYSTEM

Connector No.	E6
Connector Name	WIRE TO WIRE
Connector Type	TKZ4BW-1V

Terminal No.	Color of Wire	Signal Name [Specification]
10	LG	
24	L	

H.S.

Connector No.	F42
Connector Name	ALTERNATOR
Connector Type	

Terminal No.	Color of Wire	Signal Name [Specification]
2		

H.S.

Connector No.	F3
Connector Name	FUSIBLE LINK HOLDER
Connector Type	

Terminal No.	Color of Wire	Signal Name [Specification]
5	B/R	

H.S.

Connector No.	E105
Connector Name	WIRE TO WIRE
Connector Type	TK8GFW-CS16-TM4

Terminal No.	Color of Wire	Signal Name [Specification]
14	L	

H.S.

Connector No.	F60
Connector Name	ALTERNATOR
Connector Type	X02FW

Terminal No.	Color of Wire	Signal Name [Specification]
3	L	
4	P	

H.S.

Connector No.	F59
Connector Name	ALTERNATOR
Connector Type	

Terminal No.	Color of Wire	Signal Name [Specification]
1	B/R	

H.S.

Connector No.	M34
Connector Name	COMBINATION METER
Connector Type	SAB40FW

Terminal No.	Color of Wire	Signal Name [Specification]
2	O	IGN
25	SB	ALTERNATOR

H.S.

Connector No.	F123
Connector Name	WIRE TO WIRE
Connector Type	TKZ4FW-1V

Terminal No.	Color of Wire	Signal Name [Specification]
10	P	
24	L	

H.S.

Connector No.	F60
Connector Name	ALTERNATOR
Connector Type	X02FW

Terminal No.	Color of Wire	Signal Name [Specification]
3	L	
4	P	

H.S.

A
B
C
D
E
F
G
H
I
J
K
L
CHG
N
O
P



JCMWM1042G1

CHARGING SYSTEM

< COMPONENT DIAGNOSIS >

CHARGING SYSTEM

Connector No.	M77
Connector Name	WIRE TO WIRE
Connector Type	THEB0WV-C516-TM4

Terminal No.	14	SB	Signal Name [Specification]	-
--------------	----	----	-----------------------------	---

JCMWM1043G

CHARGING SYSTEM

< SYMPTOM DIAGNOSIS >

SYMPTOM DIAGNOSIS

CHARGING SYSTEM

Symptom Table

INFOID:000000001697852

Symptom	Reference
Discharged battery	Refer to CHG-2, "Work Flow" .
The charge warning lamp does not illuminate when the ignition switch is set to ON.	
The charge warning lamp does not turn OFF after the engine starts.	
The charge warning lamp turns ON when increasing the engine speed.	

A
B
C
D
E
F
G
H
I
J
K
L
N
O
P

CHG

PRECAUTIONS

< PRECAUTION >

PRECAUTION

PRECAUTIONS

FOR USA AND CANADA

FOR USA AND CANADA : Precaution for Supplemental Restraint System (SRS) "AIR BAG" and "SEAT BELT PRE-TENSIONER"

INFOID:000000003248949

The Supplemental Restraint System such as "AIR BAG" and "SEAT BELT PRE-TENSIONER", used along with a front seat belt, helps to reduce the risk or severity of injury to the driver and front passenger for certain types of collision. This system includes seat belt switch inputs and dual stage front air bag modules. The SRS system uses the seat belt switches to determine the front air bag deployment, and may only deploy one front air bag, depending on the severity of a collision and whether the front occupants are belted or unbelted.

Information necessary to service the system safely is included in the "SRS AIRBAG" and "SEAT BELT" of this Service Manual.

WARNING:

- **To avoid rendering the SRS inoperative, which could increase the risk of personal injury or death in the event of a collision which would result in air bag inflation, all maintenance must be performed by an authorized NISSAN/INFINITI dealer.**
- **Improper maintenance, including incorrect removal and installation of the SRS, can lead to personal injury caused by unintentional activation of the system. For removal of Spiral Cable and Air Bag Module, see the "SRS AIRBAG".**
- **Do not use electrical test equipment on any circuit related to the SRS unless instructed to in this Service Manual. SRS wiring harnesses can be identified by yellow and/or orange harnesses or harness connectors.**

FOR MEXICO

FOR MEXICO : Precaution for Supplemental Restraint System (SRS) "AIR BAG" and "SEAT BELT PRE-TENSIONER"

INFOID:000000003248950

The Supplemental Restraint System such as "AIR BAG" and "SEAT BELT PRE-TENSIONER", used along with a front seat belt, helps to reduce the risk or severity of injury to the driver and front passenger for certain types of collision. Information necessary to service the system safely is included in the "SRS AIRBAG" and "SEAT BELT" of this Service Manual.

WARNING:

- **To avoid rendering the SRS inoperative, which could increase the risk of personal injury or death in the event of a collision which would result in air bag inflation, all maintenance must be performed by an authorized NISSAN/INFINITI dealer.**
- **Improper maintenance, including incorrect removal and installation of the SRS, can lead to personal injury caused by unintentional activation of the system. For removal of Spiral Cable and Air Bag Module, see the "SRS AIRBAG".**
- **Do not use electrical test equipment on any circuit related to the SRS unless instructed to in this Service Manual. SRS wiring harnesses can be identified by yellow and/or orange harnesses or harness connectors.**

PREPARATION

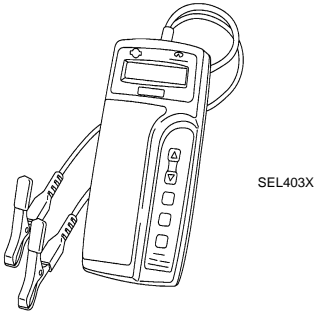
< PREPARATION >

PREPARATION

PREPARATION

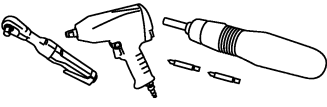
Special Service Tools

INFOID:000000001767684

Tool number (Kent-Moore No.) Tool name	Description
<p>— (J-44373 Model MCR620) Starting/Charging System Tester</p>  <p>SEL403X</p>	<p>Tests starting and charging systems. For operating instructions, refer to Technical Service Bulletin.</p>

Commercial Service Tools

INFOID:000000003106558

Tool name	Description
<p>Power tool</p>  <p>PIIB1407E</p>	<p>Loosening bolts, nuts and screws</p>

A

B

C

D

E

F

G

H

I

J

K

L

CHG

N

O

P

CHARGING SYSTEM PRELIMINARY INSPECTION

< ON-VEHICLE MAINTENANCE >

ON-VEHICLE MAINTENANCE

CHARGING SYSTEM PRELIMINARY INSPECTION

Inspection Procedure

INFOID:000000001697855

1. CHECK BATTERY TERMINALS CONNECTION

Check if battery terminals are clean and tight.

Is the inspection result normal?

YES >> GO TO 2.

NO >> Repair battery terminals connection.

2. CHECK FUSE

Check for blown fuse.

Unit	Power source (Power supply terminals)	Fuse No.
Alternator	Battery ("S" terminal)	32
Combination meter	Ignition switch ON ("L" terminal)	3

Is the inspection result normal?

YES >> GO TO 3.

NO >> Be sure to eliminate the cause of malfunction before installing new fuse.

3. CHECK "E" TERMINAL CONNECTION

Check if "E" terminal (alternator ground harness) is clean and tight.

Is the inspection result normal?

YES >> GO TO 4.

NO >> Repair "E" terminal connection.

4. CHECK DRIVE BELT TENSION

Check drive belt tension. Refer to [EM-15. "Checking"](#).

Is the inspection result normal?

YES >> INSPECTION END

NO >> Repair as needed.

ALTERNATOR

< ON-VEHICLE REPAIR >

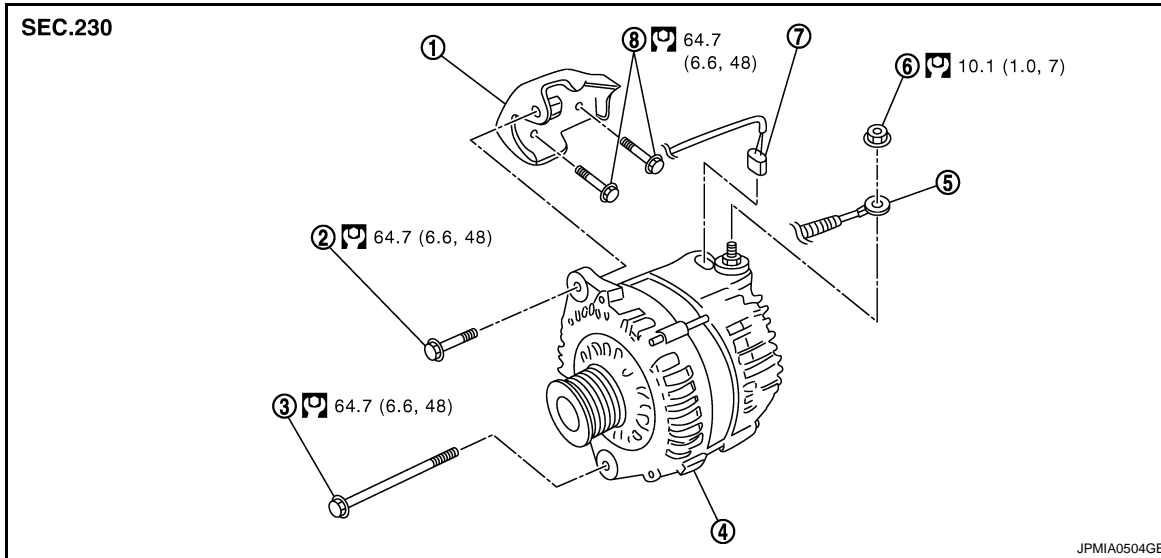
ON-VEHICLE REPAIR

ALTERNATOR

Exploded View

INFOID:000000001697864

REMOVAL



- | | | |
|-------------------------|--------------------------------------|-----------------------------------|
| 1. Alternator bracket | 2. Upper alternator mounting bolt | 3. Lower alternator mounting bolt |
| 4. Alternator | 5. "B" terminal harness | 6. "B" terminal nut |
| 7. Alternator connector | 8. Alternator bracket mounting bolts | |

Refer to [GI-4, "Components"](#) for symbols in the figure.

DISASSEMBLY

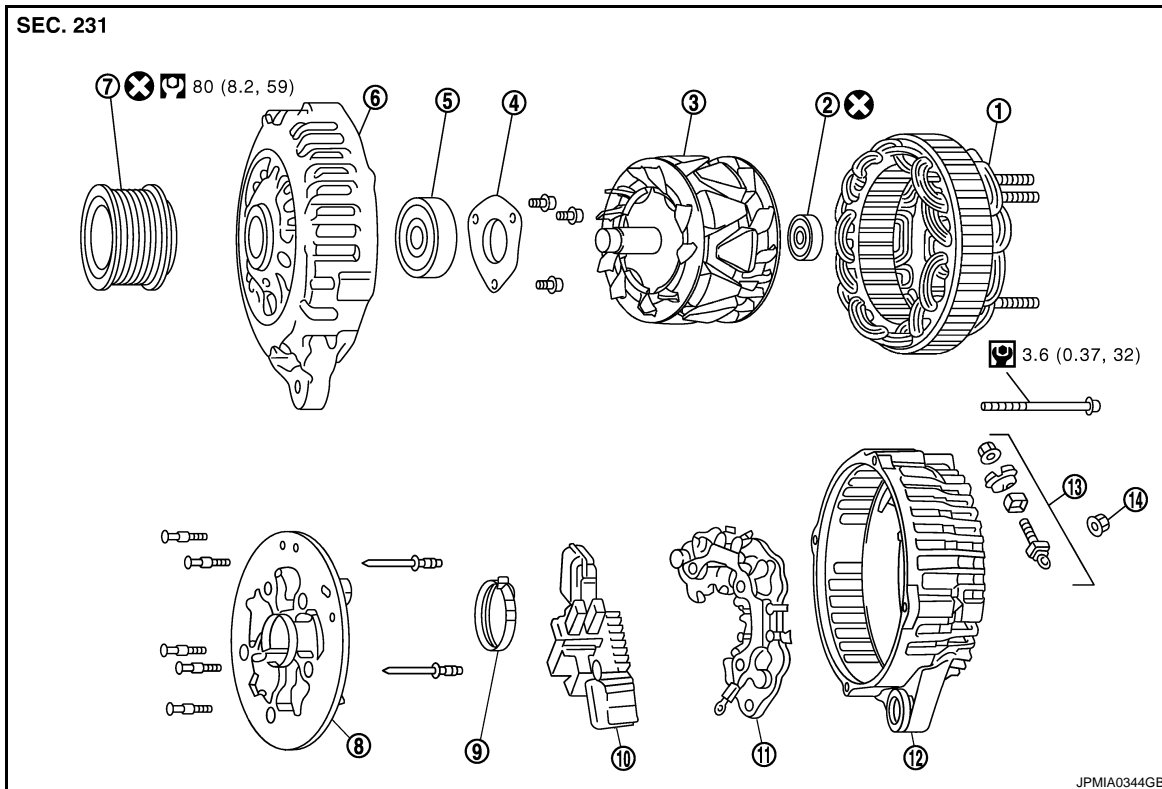
Type: LR1110-713C

A
B
C
D
E
F
G
H
I
J
K
L

CHG

ALTERNATOR

< ON-VEHICLE REPAIR >



- | | | |
|-----------------------------------|----------------------|-------------------|
| 1. Stator | 2. Rear bearing | 3. Rotor |
| 4. Retainer | 5. Front bearing | 6. Front cover |
| 7. Pulley | 8. Fan guide | 9. Labyrinth seal |
| 10. IC voltage regulator assembly | 11. Diode assembly | 12. Rear cover |
| 13. Terminal assembly | 14. "B" terminal nut | |

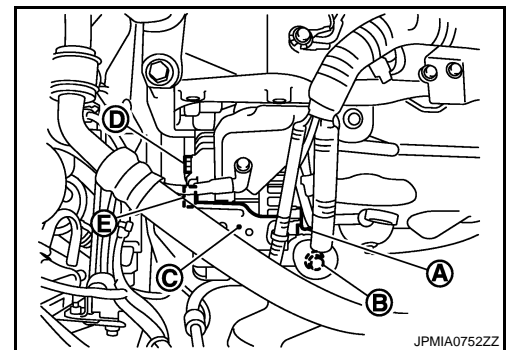
Refer to [GI-4, "Components"](#) for symbols in the figure.

Removal and Installation

INFOID:000000001697865

REMOVAL

1. Disconnect the battery cable from the negative terminal.
2. Remove drive belt. Refer to [EM-15, "Exploded View"](#).
3. Disconnect alternator connector (A).
4. Remove "B" terminal nut (B) and "B" terminal harness.
5. Remove harness bracket (C).
6. Remove upper alternator mounting bolt (D), using power tools.
7. Remove lower alternator mounting bolt (E), using power tools.



8. Remove alternator upward from the vehicle.

INSTALLATION

Note the following, and installation is the reverse order of removal.

- Install alternator, and check tension of belt. Refer to [EM-15, "Checking"](#).

CAUTION:

Be sure to tighten "B" terminal nut carefully.

ALTERNATOR

< ON-VEHICLE REPAIR >

Inspection

INFOID:000000001767743

ALTERNATOR PULLEY INSPECTION

Perform the following.

- Make sure that alternator pulley does not rattle.
- Make sure that alternator pulley is tight. Refer to [CHG-19, "Exploded View"](#).

A

B

C

D

E

F

G

H

I

J

K

L

CHG

N

O

P

SERVICE DATA AND SPECIFICATIONS (SDS)

< SERVICE DATA AND SPECIFICATIONS (SDS)

SERVICE DATA AND SPECIFICATIONS (SDS)

SERVICE DATA AND SPECIFICATIONS (SDS)

Alternator

INFOID:000000001697868

Applied model		QR25DE
Type		LR1110-713C
		HITACHI make
Nominal rating	[V - A]	12 - 110
Ground polarity		Negative
Minimum revolution under no-load (When 13.5 V is applied)	[rpm]	Less than 1,100
Hot output current (When 13.5 V is applied)	[A/rpm]	More than 70/1,800 More than 91/2,500 More than 110/5,000
Regulated output voltage	[V]	14.1 - 14.7
Minimum length of brush	[mm (in)]	More than 6.00 (0.236)
Brush spring pressure	[N (g, oz)]	1.00 - 3.43 (102 - 350, 3.60 - 12.34)
Slip ring minimum outer diameter	[mm (in)]	More than 26.0 (1.024)
Rotor (Field coil) resistance	[Ω]	2.16 - 2.46