

SECTION **PWO**  
POWER OUTLET

A  
B  
C  
D  
E  
F  
G  
H  
I  
J  
K  
L  
N  
O  
P

CONTENTS

<b>DTC/CIRCUIT DIAGNOSIS</b> .....	2	FOR MEXICO : Precaution for Supplemental Restraint System (SRS) "AIR BAG" and "SEAT BELT PRE-TENSIONER" .....	5
<b>POWER SOCKET</b> .....	2	<b>REMOVAL AND INSTALLATION</b> .....	7
Wiring Diagram - POWER SOCKET - .....	2	<b>POWER SOCKET</b> .....	7
<b>PRECAUTION</b> .....	5	<b>FRONT POWER SOCKET</b> .....	7
<b>PRECAUTIONS</b> .....	5	FRONT POWER SOCKET : Exploded View .....	7
<b>FOR USA AND CANADA</b> .....	5	FRONT POWER SOCKET : Removal and Installation .....	7
FOR USA AND CANADA : Precaution for Supplemental Restraint System (SRS) "AIR BAG" and "SEAT BELT PRE-TENSIONER" .....	5	<b>CONSOLE POWER SOCKET</b> .....	7
<b>FOR MEXICO</b> .....	5	CONSOLE POWER SOCKET : Exploded View .....	7
		CONSOLE POWER SOCKET : Removal and Installation .....	7

PWO

# POWER SOCKET

< DTC/CIRCUIT DIAGNOSIS >

## DTC/CIRCUIT DIAGNOSIS

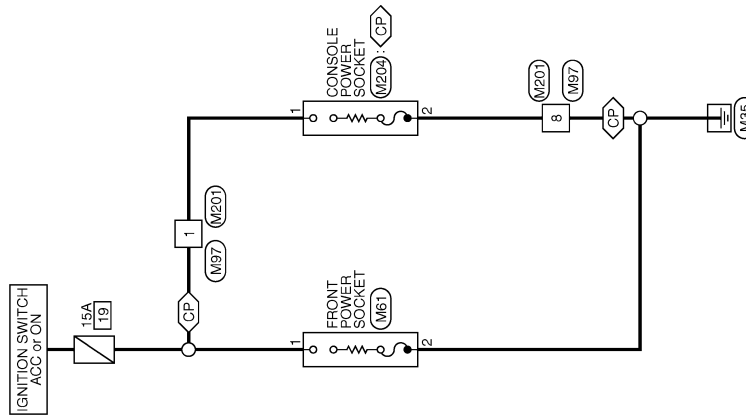
### POWER SOCKET

#### Wiring Diagram - POWER SOCKET -

INFOID:000000005250936

Up to October 2009 production

CF: With console power socket



POWER SOCKET

2008/07/15

JCMWM2848G

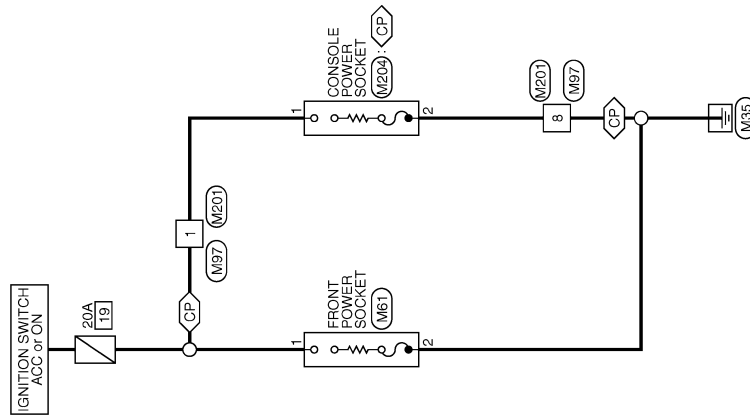
# POWER SOCKET

< DTC/CIRCUIT DIAGNOSIS >

From October 2009 production

POWER SOCKET

CP: With console power socket



A  
B  
C  
D  
E  
F  
G  
H  
I  
J  
K  
L  
PWO  
N  
O  
P

2009/10/02

JCMWA5134Gf

# POWER SOCKET

## < DTC/CIRCUIT DIAGNOSIS >

### POWER SOCKET

Connector No.	M81	Connector No.	M204
Connector Name	FRONT POWER SOCKET	Connector Name	CONSOLE POWER SOCKET
Connector Type	FO2PE-Z	Connector Type	FO2PE-Z

Terminal No.	Color of Wire	Signal Name [Specification]
1	O	-
2	B	-

Terminal No.	Color of Wire	Signal Name [Specification]
1	G	-
2	B	-

Connector No.	M87	Connector No.	M201
Connector Name	WIRE TO WIRE	Connector Name	WIRE TO WIRE
Connector Type	NS16FW-CS	Connector Type	NS16MW-CS

Terminal No.	Color of Wire	Signal Name [Specification]
1	P	-
8	B	-

Terminal No.	Color of Wire	Signal Name [Specification]
1	G	-
8	B	-

Terminal No.	Color of Wire	Signal Name [Specification]
1	G	-
2	B	-

JCMWM2849G

# PRECAUTIONS

< PRECAUTION >

## PRECAUTION

### PRECAUTIONS FOR USA AND CANADA

FOR USA AND CANADA : Precaution for Supplemental Restraint System (SRS) "AIR BAG" and "SEAT BELT PRE-TENSIONER"

INFOID:000000005250937

The Supplemental Restraint System such as "AIR BAG" and "SEAT BELT PRE-TENSIONER", used along with a front seat belt, helps to reduce the risk or severity of injury to the driver and front passenger for certain types of collision. This system includes seat belt switch inputs and dual stage front air bag modules. The SRS system uses the seat belt switches to determine the front air bag deployment, and may only deploy one front air bag, depending on the severity of a collision and whether the front occupants are belted or unbelted. Information necessary to service the system safely is included in the "SRS AIR BAG" and "SEAT BELT" of this Service Manual.

#### **WARNING:**

- To avoid rendering the SRS inoperative, which could increase the risk of personal injury or death in the event of a collision which would result in air bag inflation, all maintenance must be performed by an authorized NISSAN/INFINITI dealer.
- Improper maintenance, including incorrect removal and installation of the SRS, can lead to personal injury caused by unintentional activation of the system. For removal of Spiral Cable and Air Bag Module, see the "SRS AIR BAG".
- Do not use electrical test equipment on any circuit related to the SRS unless instructed to in this Service Manual. SRS wiring harnesses can be identified by yellow and/or orange harnesses or harness connectors.

#### PRECAUTIONS WHEN USING POWER TOOLS (AIR OR ELECTRIC) AND HAMMERS

#### **WARNING:**

- When working near the Air Bag Diagnosis Sensor Unit or other Air Bag System sensors with the ignition ON or engine running, DO NOT use air or electric power tools or strike near the sensor(s) with a hammer. Heavy vibration could activate the sensor(s) and deploy the air bag(s), possibly causing serious injury.
- When using air or electric power tools or hammers, always switch the ignition OFF, disconnect the battery, and wait at least 3 minutes before performing any service.

#### FOR MEXICO

FOR MEXICO : Precaution for Supplemental Restraint System (SRS) "AIR BAG" and "SEAT BELT PRE-TENSIONER"

INFOID:000000005250938

The Supplemental Restraint System such as "AIR BAG" and "SEAT BELT PRE-TENSIONER", used along with a front seat belt, helps to reduce the risk or severity of injury to the driver and front passenger for certain types of collision. Information necessary to service the system safely is included in the "SRS AIR BAG" and "SEAT BELT" of this Service Manual.

#### **WARNING:**

- To avoid rendering the SRS inoperative, which could increase the risk of personal injury or death in the event of a collision which would result in air bag inflation, all maintenance must be performed by an authorized NISSAN/INFINITI dealer.
- Improper maintenance, including incorrect removal and installation of the SRS, can lead to personal injury caused by unintentional activation of the system. For removal of Spiral Cable and Air Bag Module, see the "SRS AIR BAG".
- Do not use electrical test equipment on any circuit related to the SRS unless instructed to in this Service Manual. SRS wiring harnesses can be identified by yellow and/or orange harnesses or harness connectors.

#### PRECAUTIONS WHEN USING POWER TOOLS (AIR OR ELECTRIC) AND HAMMERS

#### **WARNING:**

- When working near the Air Bag Diagnosis Sensor Unit or other Air Bag System sensors with the ignition ON or engine running, DO NOT use air or electric power tools or strike near the sensor(s)

A  
B  
C  
D  
E  
F  
G  
H  
I  
J  
K  
L

PWO

N  
O  
P

## PRECAUTIONS

< PRECAUTION >

---

- with a hammer. Heavy vibration could activate the sensor(s) and deploy the air bag(s), possibly causing serious injury.
- When using air or electric power tools or hammers, always switch the ignition OFF, disconnect the battery, and wait at least 3 minutes before performing any service.

# POWER SOCKET

< REMOVAL AND INSTALLATION >

## REMOVAL AND INSTALLATION

### POWER SOCKET

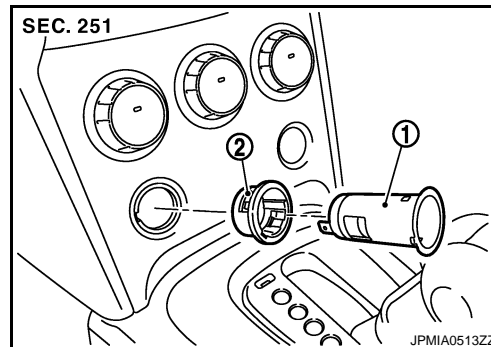
#### FRONT POWER SOCKET

#### FRONT POWER SOCKET : Exploded View

INFOID:000000005250939

1 : Inner socket

2 : Ring



#### FRONT POWER SOCKET : Removal and Installation

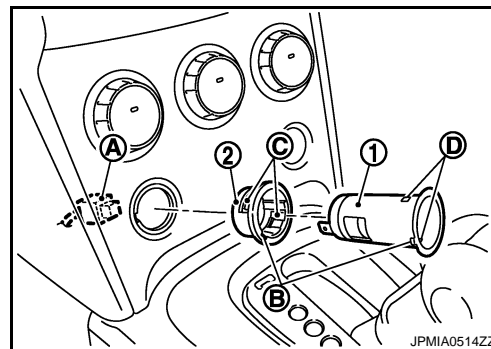
INFOID:000000005250940

#### REMOVAL

1. Remove cluster lid D. Refer to [IP-12. "Exploded View"](#).
2. Disconnect power socket connector (A).

B : Cut out

3. Pull out inner socket (1) by pushing the ring pawl (C) from the inner socket hole (square) (D).
4. Remove ring (2) from cluster lid D while pressing pawls.



#### INSTALLATION

Install in the reverse order of removal.

#### NOTE:

Align the cut outs of inner socket, ring, and cluster lid D.

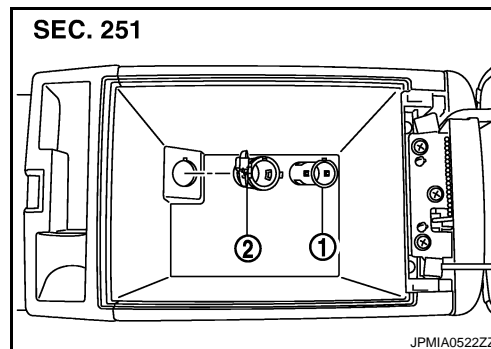
### CONSOLE POWER SOCKET

#### CONSOLE POWER SOCKET : Exploded View

INFOID:000000005250941

1 : Inner socket

2 : Ring



#### CONSOLE POWER SOCKET : Removal and Installation

INFOID:000000005250942

#### REMOVAL

A  
B  
C  
D  
E  
F  
G  
H  
I  
J  
K  
L  
N  
O  
P

PWO

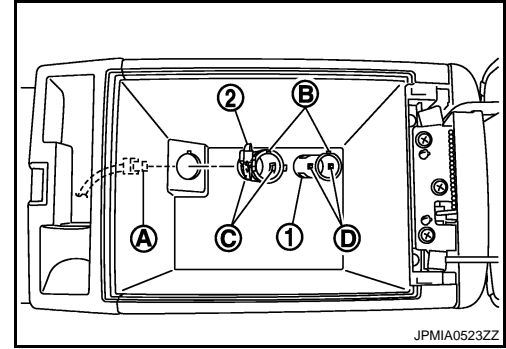
## POWER SOCKET

### < REMOVAL AND INSTALLATION >

1. Remove console body assembly. Refer to [JP-21, "Exploded View"](#).
2. Disconnect power socket connector (A).

B : Cut out

3. Pull out inner socket (1) by pushing the ring pawl (C) from the inner socket hole (square) (D).
4. Remove ring (2) from console body assembly while pressing pawls.



### INSTALLATION

Install in the reverse order of removal.

#### **NOTE:**

Align the cut outs of inner socket, ring, and console body assembly.