

SECTION **HRN**
HORN

A
B
C
D
E
F
G
H
I
J
K
M
N
O
P

CONTENTS

DTC/CIRCUIT DIAGNOSIS	2	FOR USA AND CANADA	8
HORN	2	FOR USA AND CANADA : Precaution for Supplemental Restraint System (SRS) "AIR BAG" and "SEAT BELT PRE-TENSIONER"	8
EXCEPT FOR MEXICO	2	FOR MEXICO	8
EXCEPT FOR MEXICO : Wiring Diagram - HORN		FOR MEXICO : Precaution for Supplemental Restraint System (SRS) "AIR BAG" and "SEAT BELT PRE-TENSIONER"	8
-	2	REMOVAL AND INSTALLATION	10
FOR MEXICO	4	HORN	10
FOR MEXICO : Wiring Diagram - HORN -	5	Exploded View	10
PRECAUTION	8	Removal and Installation	10
PRECAUTIONS	8		

HRN

HORN

< DTC/CIRCUIT DIAGNOSIS >

DTC/CIRCUIT DIAGNOSIS

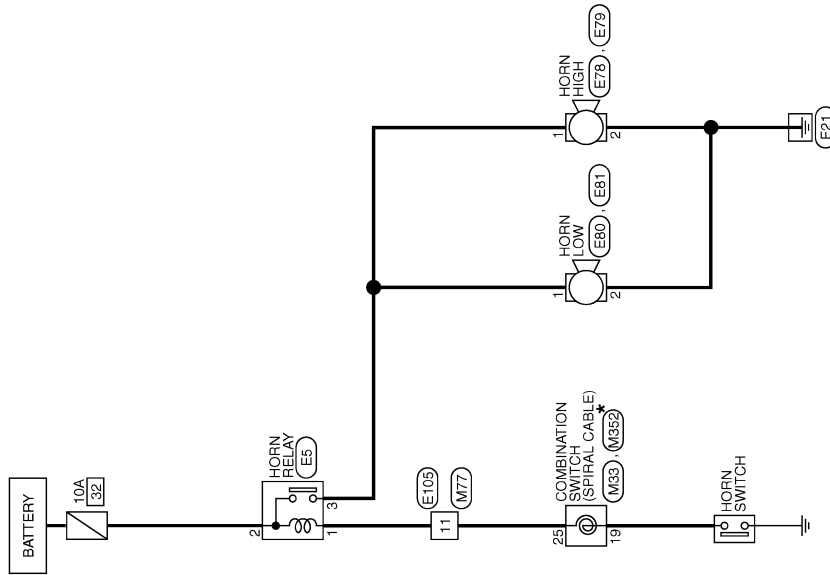
HORN

EXCEPT FOR MEXICO

EXCEPT FOR MEXICO : Wiring Diagram - HORN -

INFOID:000000006201711

HORN (EXCEPT FOR MEXICO)



* This connector is not shown in "Harness Layout".

2008/07/15

JCLWM2570GB

HORN

< DTC/CIRCUIT DIAGNOSIS >

HORN (EXCEPT FOR MEXICO)

Connector No.	E5
Connector Name	HORN RELAY
Connector Type	-



Terminal No.	Color of Wire	Signal Name [Specification]
1	GR	-
2	P	-
3	G	-

Connector No.	E7B
Connector Name	HORN HIGH
Connector Type	P0TPE-A



Terminal No.	Color of Wire	Signal Name [Specification]
1	G	-

Connector No.	E7B
Connector Name	HORN HIGH
Connector Type	P0TPE-A



Terminal No.	Color of Wire	Signal Name [Specification]
2	B	-

Connector No.	E8D
Connector Name	HORN LOW
Connector Type	P0TFB-A



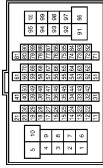
Terminal No.	Color of Wire	Signal Name [Specification]
1	G	-

Connector No.	E81
Connector Name	HORN LOW
Connector Type	P0TFB-A



Terminal No.	Color of Wire	Signal Name [Specification]
2	B	-

Connector No.	E105
Connector Name	WIRE TO WIRE
Connector Type	TR80FW-CS16-TM4



Terminal No.	Color of Wire	Signal Name [Specification]
1	W	-
2	O	-
3	LG	-
4	V	-

Connector No.	MB3
Connector Name	COMBINATION SWITCH (SPIRAL CABLE)
Connector Type	TK08FGY-1V



Terminal No.	Color of Wire	Signal Name [Specification]
24	BR	-
25	GR	-
26	SR	-
27	G	-
31	GR	-
32	O	-
33	R	-
34	Y	-

Terminal No.	Color of Wire	Signal Name [Specification]
5	Y	-
6	G	-
7	R	-
8	GR	-
9	BR	-
10	L	-
11	GR	-
12	P	-
14	L	-
15	V	-
19	R	-
20	P	-
21	L	-
22	L	-
24	LG	-
25	SB	-
30	L	-
31	BR	-
31	Y	-
43	SHIELD	-
51	L	-
52	W	-
53	BR	-
54	Y	-
60	O	-
61	BR	-
62	R	-
63	P	-
69	G	-
70	B	-
71	O	-
72	LG	-
78	L	-
79	V	-
80	Y	-
81	W	-
82	R	-
83	L	-
88	BR	-
89	R	-
90	GR	-
91	R	-
92	O	-
93	BR	-
94	W	-
96	BR	-
97	G	-
99	SB	-
100	L	-

A
B
C
D
E
F
G
H
I
J
K
L
M
N
O
P

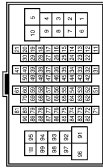
HRN

HORN

< DTC/CIRCUIT DIAGNOSIS >

HORN (EXCEPT FOR MEXICO)

Connector No.	M77
Connector Name	WIRE TO WIRE
Connector Type	THEBMW-CS16-TM4



Terminal No.	Color of Wire	Signal Name [Specification]
1	BR	-
2	O	-
3	LG	-
4	Y	-
5	Y	-
6	G	-
7	R	-
8	GR	-
9	BR	-
10	L	-
11	GR	-
12	P	-
14	SB	-
15	V	-
19	R	-
20	P	-
21	O	-
22	L	-
24	BR	-
25	W	-
30	L	-
31	W	-
42	O	-
45	SHIELD	-
51	W	-
52	SB	-
53	L	-
54	Y	-
60	O	-
61	BR	-
62	G	-
63	P	-
69	W	-
70	B	-
71	P	-
72	O	-
78	SB	-
78	V	-

80	L	-
81	W	-
82	B	-
83	LG	-
88	BR	-
89	G	-
90	GR	-
91	R	-
92	L	-
93	P	-
94	W	-
96	BR	-
97	G	-
99	SB	-
100	Y	-

Connector No.	M352
Connector Name	COMBINATION SWITCH (SPIRAL CABLE)
Connector Type	TK3BFCY



Terminal No.	Color of Wire	Signal Name [Specification]
14	-	-
15	-	-
16	-	-
17	-	-
18	-	-
19	-	-
20	-	-
21	-	-

FOR MEXICO

JCLWM5817GB

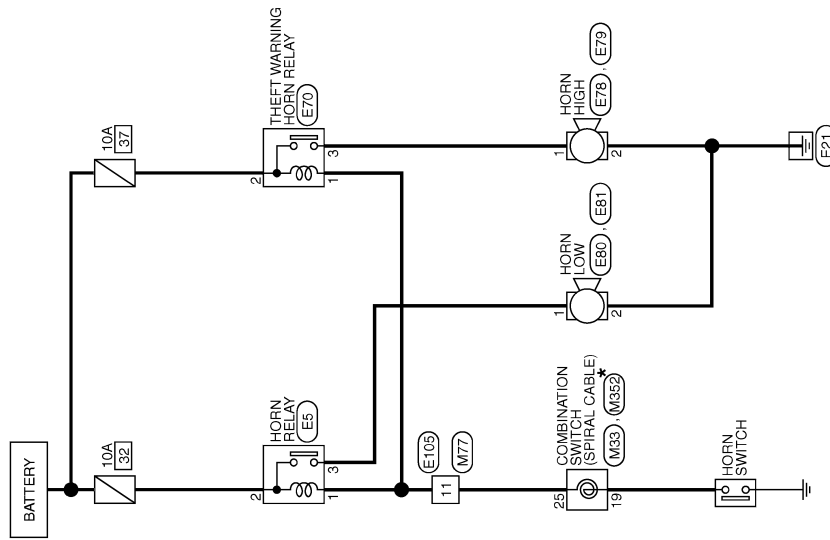
HORN

< DTC/CIRCUIT DIAGNOSIS >

FOR MEXICO : Wiring Diagram - HORN -

INFOID:000000006201712

HORN (FOR MEXICO)



*: This connector is not shown in "Harness Layout".

A
B
C
D
E
F
G
H
I
J
K
L
M
N
O
P

HRN

2008/07/15

JCLWM2573GB

HORN

< DTC/CIRCUIT DIAGNOSIS >

HORN (FOR MEXICO)

Connector No.	E5
Connector Name	HORN RELAY
Connector Type	-



Terminal No.	Color of Wire	Signal Name [Specification]
1	GR	-
2	P	-
3	G	-

Connector No.	E70
Connector Name	THEFT WARNING HORN RELAY
Connector Type	MDSFW-R-LC



Terminal No.	Color of Wire	Signal Name [Specification]
1	V	-
2	R	-
3	G	-

Connector No.	E78
Connector Name	HORN HIGH
Connector Type	POIFB-A



Terminal No.	Color of Wire	Signal Name [Specification]
1	B	-

1	G	-
---	---	---

Connector No.	E79
Connector Name	HORN HIGH
Connector Type	POIFB-A



Terminal No.	Color of Wire	Signal Name [Specification]
2	B	-

Connector No.	E80
Connector Name	HORN LOW
Connector Type	POIFB-A



Terminal No.	Color of Wire	Signal Name [Specification]
1	G	-

Connector No.	E81
Connector Name	HORN LOW
Connector Type	POIFB-A



Terminal No.	Color of Wire	Signal Name [Specification]
2	B	-

Connector No.	E105
Connector Name	WIRE TO WIRE
Connector Type	THBDFW-CS16-TM4



Terminal No.	Color of Wire	Signal Name [Specification]
1	W	-
2	O	-
3	LG	-
4	V	-
5	Y	-
6	G	-
7	R	-
8	GR	-
9	BR	-
10	L	-
11	GR	-
12	P	-
14	L	-
15	V	-
19	R	-
20	P	-
21	L	-
22	L	-
24	LG	-
25	SB	-
30	L	-
31	BR	-
42	Y	-
43	SHIELD	-
51	L	-
52	W	-
53	BR	-
54	Y	-
60	O	-
61	BR	-
62	R	-
63	P	-
69	G	-
70	B	-
71	O	-
72	LG	-
78	L	-
79	V	-

80	Y	-
81	W	-
82	R	-
83	L	-
88	BR	-
89	R	-
90	GR	-
91	R	-
92	O	-
93	BR	-
94	W	-
96	BR	-
97	G	-
99	SB	-
100	L	-

Connector No.	IM83
Connector Name	COMBINATION SWITCH (SPIRAL CABLE)
Connector Type	TK08FGY-1V



Terminal No.	Color of Wire	Signal Name [Specification]
24	BR	-
25	GR	-
26	SB	-
27	G	-
31	GR	-
32	O	-
33	R	-
34	Y	-

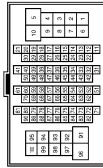
HORN

< DTC/CIRCUIT DIAGNOSIS >

A
B
C
D
E
F
G
H
I
J
K
M
N
O
P

HORN (FOR MEXICO)

Connector No.	M77
Connector Name	WIRE TO WIRE
Connector Type	TH80MW-CS-E-TM4



Terminal No.	Color of Wire	Signal Name [Specification]
1	BR	-
2	O	-
3	LG	-
4	Y	-
5	Y	-
6	G	-
7	R	-
8	GR	-
9	BR	-
10	L	-
11	GR	-
12	P	-
14	SB	-
15	V	-
19	R	-
20	P	-
21	O	-
22	L	-
24	BR	-
25	W	-
30	L	-
31	W	-
42	O	-
43	SHIELD	-
51	W	-
52	SB	-
53	L	-
54	Y	-
60	O	-
61	BR	-
62	G	-
63	P	-
69	W	-
70	B	-
71	P	-
72	O	-
78	SB	-
79	Y	-

80	L	-
81	W	-
82	B	-
83	LG	-
88	BR	-
89	G	-
90	GR	-
91	R	-
92	L	-
93	P	-
94	W	-
96	BR	-
97	G	-
99	SB	-
100	Y	-

Connector No.	M352
Connector Name	COMBINATION SWITCH (SPIRAL CABLE)
Connector Type	TK38FGY



Terminal No.	Color of Wire	Signal Name [Specification]
14	-	-
15	-	-
16	-	-
17	-	-
18	-	-
19	-	-
20	-	-
21	-	-

JCLWM5819GB

PRECAUTIONS

< PRECAUTION >

PRECAUTION

PRECAUTIONS

FOR USA AND CANADA

FOR USA AND CANADA : Precaution for Supplemental Restraint System (SRS) "AIR BAG" and "SEAT BELT PRE-TENSIONER"

INFOID:000000006201713

The Supplemental Restraint System such as "AIR BAG" and "SEAT BELT PRE-TENSIONER", used along with a front seat belt, helps to reduce the risk or severity of injury to the driver and front passenger for certain types of collision. This system includes seat belt switch inputs and dual stage front air bag modules. The SRS system uses the seat belt switches to determine the front air bag deployment, and may only deploy one front air bag, depending on the severity of a collision and whether the front occupants are belted or unbelted.

Information necessary to service the system safely is included in the "SRS AIR BAG" and "SEAT BELT" of this Service Manual.

WARNING:

- To avoid rendering the SRS inoperative, which could increase the risk of personal injury or death in the event of a collision that would result in air bag inflation, all maintenance must be performed by an authorized NISSAN/INFINITI dealer.
- Improper maintenance, including incorrect removal and installation of the SRS, can lead to personal injury caused by unintentional activation of the system. For removal of Spiral Cable and Air Bag Module, see "SRS AIR BAG".
- Never use electrical test equipment on any circuit related to the SRS unless instructed to in this Service Manual. SRS wiring harnesses can be identified by yellow and/or orange harnesses or harness connectors.

PRECAUTIONS WHEN USING POWER TOOLS (AIR OR ELECTRIC) AND HAMMERS

WARNING:

- When working near the Air Bag Diagnosis Sensor Unit or other Air Bag System sensors with the ignition ON or engine running, never use air or electric power tools or strike near the sensor(s) with a hammer. Heavy vibration could activate the sensor(s) and deploy the air bag(s), possibly causing serious injury.
- When using air or electric power tools or hammers, always switch the ignition OFF, disconnect the battery, and wait at least 3 minutes before performing any service.

FOR MEXICO

FOR MEXICO : Precaution for Supplemental Restraint System (SRS) "AIR BAG" and "SEAT BELT PRE-TENSIONER"

INFOID:000000006201714

The Supplemental Restraint System such as "AIR BAG" and "SEAT BELT PRE-TENSIONER", used along with a front seat belt, helps to reduce the risk or severity of injury to the driver and front passenger for certain types of collision. Information necessary to service the system safely is included in the "SRS AIR BAG" and "SEAT BELT" of this Service Manual.

WARNING:

- To avoid rendering the SRS inoperative, which could increase the risk of personal injury or death in the event of a collision which would result in air bag inflation, all maintenance must be performed by an authorized NISSAN/INFINITI dealer.
- Improper maintenance, including incorrect removal and installation of the SRS, can lead to personal injury caused by unintentional activation of the system. For removal of Spiral Cable and Air Bag Module, see "SRS AIR BAG".
- Never use electrical test equipment on any circuit related to the SRS unless instructed to in this Service Manual. SRS wiring harnesses can be identified by yellow and/or orange harnesses or harness connectors.

PRECAUTIONS WHEN USING POWER TOOLS (AIR OR ELECTRIC) AND HAMMERS

WARNING:

- When working near the Air Bag Diagnosis Sensor Unit or other Air Bag System sensors with the ignition ON or engine running, never use air or electric power tools or strike near the sensor(s) with

PRECAUTIONS

< PRECAUTION >

-
- a hammer. Heavy vibration could activate the sensor(s) and deploy the air bag(s), possibly causing serious injury.
 - When using air or electric power tools or hammers, always switch the ignition OFF, disconnect the battery, and wait at least 3 minutes before performing any service.

A

B

C

D

E

F

G

H

I

J

K

HRN

M

N

O

P

HORN

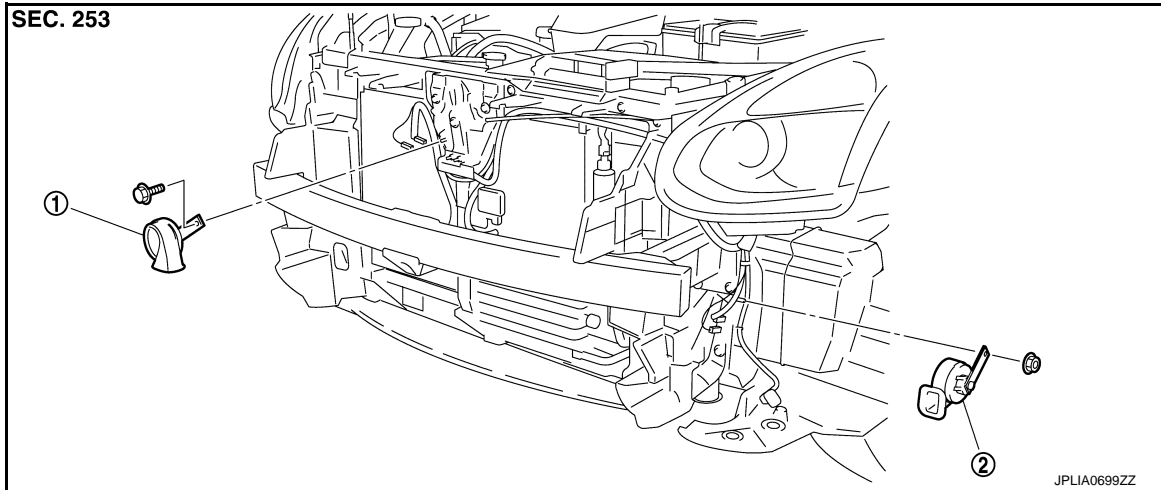
< REMOVAL AND INSTALLATION >

REMOVAL AND INSTALLATION

HORN

Exploded View

INFOID:000000006201715



1. Horn (LO)

2. Horn (HI)

Removal and Installation

INFOID:000000006201716

REMOVAL

Horn (LO)

1. Remove the front bumper fascia upper clips. And lift the front bumper fascia up and hold to keep a service area. Refer to [EXT-13. "Exploded View"](#).
2. Disconnect the horn (LO) connector.
3. Remove the horn mounting bolt, and remove the horn (LO) from the vehicle.

Horn (HI)

1. Remove the fender protector LH (front). Refer to [EXT-22. "Exploded View"](#).
2. Disconnect the horn (HI) connector.
3. Remove the horn mounting nut, and remove the horn (HI) from the vehicle.

INSTALLATION

Install in the reverse order of removal.