

SECTION **HRN**  
HORN

A  
B  
C  
D  
E  
F  
G  
H  
I  
J  
K  
M  
N  
O  
P

CONTENTS

<b>DTC/CIRCUIT DIAGNOSIS</b> .....	2	<b>FOR USA AND CANADA</b> .....	4
<b>HORN</b> .....	2	FOR USA AND CANADA : Precaution for Supplemental Restraint System (SRS) "AIR BAG" and "SEAT BELT PRE-TENSIONER" .....	4
<b>EXCEPT FOR MEXICO</b> .....	2	<b>FOR MEXICO</b> .....	4
EXCEPT FOR MEXICO : Wiring Diagram - HORN		FOR MEXICO : Precaution for Supplemental Restraint System (SRS) "AIR BAG" and "SEAT BELT PRE-TENSIONER" .....	4
- .....	2	<b>REMOVAL AND INSTALLATION</b> .....	6
<b>FOR MEXICO</b> .....	3	<b>HORN</b> .....	6
FOR MEXICO : Wiring Diagram - HORN - .....	3	Exploded View .....	6
<b>PRECAUTION</b> .....	4	Removal and Installation .....	6
<b>PRECAUTIONS</b> .....	4		

HRN

# HORN

< DTC/CIRCUIT DIAGNOSIS >

## DTC/CIRCUIT DIAGNOSIS

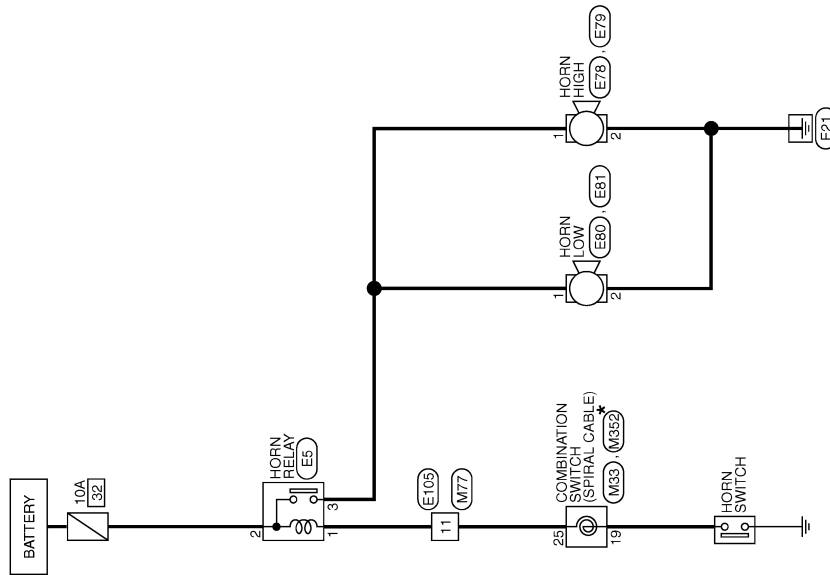
### HORN

#### EXCEPT FOR MEXICO

#### EXCEPT FOR MEXICO : Wiring Diagram - HORN -

INFOID:000000007351556

For connector terminal arrangements, harness layouts, and alphabets in a ◊ (option abbreviation; if not described in wiring diagram), refer to [GI-12, "Connector Information"](#).



\* : This connector is not shown in "Harness Layout".

HORN (EXCEPT FOR MEXICO)

2008/07/15

JCLWM2570GB

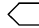
# HORN

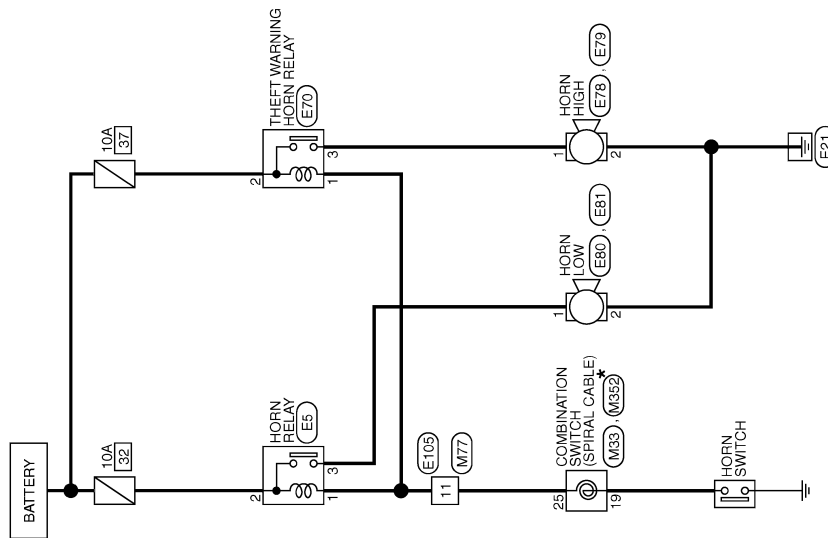
< DTC/CIRCUIT DIAGNOSIS >

FOR MEXICO

FOR MEXICO : Wiring Diagram - HORN -

INFOID:000000007351557

For connector terminal arrangements, harness layouts, and alphabets in a  (option abbreviation; if not described in wiring diagram), refer to [GI-12, "Connector Information"](#).



\*: This connector is not shown in "Harness Layout".

HORN (FOR MEXICO)

A  
B  
C  
D  
E  
F  
G  
H  
I  
J  
K  
M  
N  
O  
P

HRN

2008/07/15

JCLWM2573GB

# PRECAUTIONS

< PRECAUTION >

## PRECAUTION

### PRECAUTIONS

#### FOR USA AND CANADA

#### FOR USA AND CANADA : Precaution for Supplemental Restraint System (SRS) "AIR BAG" and "SEAT BELT PRE-TENSIONER"

INFOID:000000007351558

The Supplemental Restraint System such as "AIR BAG" and "SEAT BELT PRE-TENSIONER", used along with a front seat belt, helps to reduce the risk or severity of injury to the driver and front passenger for certain types of collision. This system includes seat belt switch inputs and dual stage front air bag modules. The SRS system uses the seat belt switches to determine the front air bag deployment, and may only deploy one front air bag, depending on the severity of a collision and whether the front occupants are belted or unbelted.

Information necessary to service the system safely is included in the "SRS AIR BAG" and "SEAT BELT" of this Service Manual.

#### **WARNING:**

**Always observe the following items for preventing accidental activation.**

- **To avoid rendering the SRS inoperative, which could increase the risk of personal injury or death in the event of a collision that would result in air bag inflation, all maintenance must be performed by an authorized NISSAN/INFINITI dealer.**
- **Improper maintenance, including incorrect removal and installation of the SRS, can lead to personal injury caused by unintentional activation of the system. For removal of Spiral Cable and Air Bag Module, see "SRS AIR BAG".**
- **Never use electrical test equipment on any circuit related to the SRS unless instructed to in this Service Manual. SRS wiring harnesses can be identified by yellow and/or orange harnesses or harness connectors.**

#### PRECAUTIONS WHEN USING POWER TOOLS (AIR OR ELECTRIC) AND HAMMERS

#### **WARNING:**

**Always observe the following items for preventing accidental activation.**

- **When working near the Air Bag Diagnosis Sensor Unit or other Air Bag System sensors with the ignition ON or engine running, never use air or electric power tools or strike near the sensor(s) with a hammer. Heavy vibration could activate the sensor(s) and deploy the air bag(s), possibly causing serious injury.**
- **When using air or electric power tools or hammers, always switch the ignition OFF, disconnect the battery, and wait at least 3 minutes before performing any service.**

#### FOR MEXICO

#### FOR MEXICO : Precaution for Supplemental Restraint System (SRS) "AIR BAG" and "SEAT BELT PRE-TENSIONER"

INFOID:000000007351559

The Supplemental Restraint System such as "AIR BAG" and "SEAT BELT PRE-TENSIONER", used along with a front seat belt, helps to reduce the risk or severity of injury to the driver and front passenger for certain types of collision. Information necessary to service the system safely is included in the "SRS AIR BAG" and "SEAT BELT" of this Service Manual.

#### **WARNING:**

**Always observe the following items for preventing accidental activation.**

- **To avoid rendering the SRS inoperative, which could increase the risk of personal injury or death in the event of a collision that would result in air bag inflation, all maintenance must be performed by an authorized NISSAN/INFINITI dealer.**
- **Improper maintenance, including incorrect removal and installation of the SRS, can lead to personal injury caused by unintentional activation of the system. For removal of Spiral Cable and Air Bag Module, see "SRS AIR BAG".**
- **Never use electrical test equipment on any circuit related to the SRS unless instructed to in this Service Manual. SRS wiring harnesses can be identified by yellow and/or orange harnesses or harness connectors.**

#### PRECAUTIONS WHEN USING POWER TOOLS (AIR OR ELECTRIC) AND HAMMERS

#### **WARNING:**

# PRECAUTIONS

## < PRECAUTION >

---

Always observe the following items for preventing accidental activation.

- When working near the Air Bag Diagnosis Sensor Unit or other Air Bag System sensors with the ignition ON or engine running, never use air or electric power tools or strike near the sensor(s) with a hammer. Heavy vibration could activate the sensor(s) and deploy the air bag(s), possibly causing serious injury.
- When using air or electric power tools or hammers, always switch the ignition OFF, disconnect the battery, and wait at least 3 minutes before performing any service.

A

B

C

D

E

F

G

H

I

J

K

HRN

M

N

O

P

# HORN

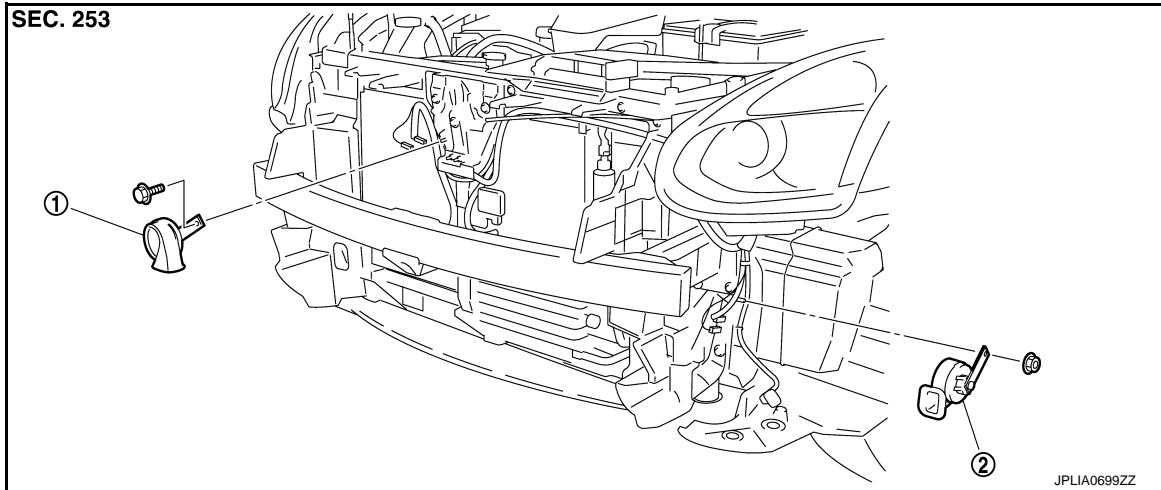
< REMOVAL AND INSTALLATION >

## REMOVAL AND INSTALLATION

### HORN

#### Exploded View

INFOID:000000007351560



1. Horn (LO)

2. Horn (HI)

### Removal and Installation

INFOID:000000007351561

#### REMOVAL

##### Horn (LO)

1. Remove the front bumper fascia upper clips. And lift the front bumper fascia up and hold to keep a service area. Refer to [EXT-13. "Exploded View"](#).
2. Disconnect the horn (LO) connector.
3. Remove the horn mounting bolt, and remove the horn (LO) from the vehicle.

##### Horn (HI)

1. Remove the fender protector LH (front). Refer to [EXT-22. "Exploded View"](#).
2. Disconnect the horn (HI) connector.
3. Remove the horn mounting nut, and remove the horn (HI) from the vehicle.

#### INSTALLATION

Install in the reverse order of removal.