

SECTION **EX**  
EXHAUST SYSTEM

A  
EX  
C  
D  
E  
F  
G  
H  
I  
J  
K  
L  
M  
N  
O  
P

CONTENTS

<b>PRECAUTION</b> .....	2	Inspection .....	3
<b>PRECAUTIONS</b> .....	2	<b>REMOVAL AND INSTALLATION</b> .....	4
Removal and Installation .....	2	<b>EXHAUST SYSTEM</b> .....	4
<b>PERIODIC MAINTENANCE</b> .....	3	Exploded View .....	4
<b>EXHAUST SYSTEM</b> .....	3	Removal and Installation .....	4
		Inspection .....	5

## PRECAUTIONS

< PRECAUTION >

---

### PRECAUTION

#### PRECAUTIONS

##### Removal and Installation

*INFOID:000000008281258*

**CAUTION:**

- Be sure to use genuine exhaust system parts or equivalents which are specially designed for heat resistance, corrosion resistance, and shape.
- Perform the operation with the exhaust system fully cooled down because the system will be hot just after engine stops.
- Be careful not to cut your hand on the heat insulator edge.

# EXHAUST SYSTEM

< PERIODIC MAINTENANCE >

## PERIODIC MAINTENANCE

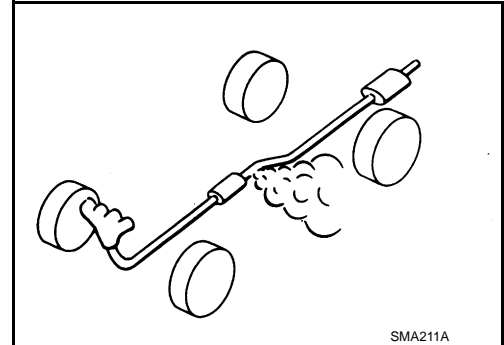
### EXHAUST SYSTEM

#### Inspection

Check exhaust pipes, muffler, and mounting for improper attachment, leakage, cracks, damage or deterioration.

- If anything is found, repair or replace damaged parts.

INFOID:000000008281259



A

EX

C

D

E

F

G

H

I

J

K

L

M

N

O

P

# EXHAUST SYSTEM

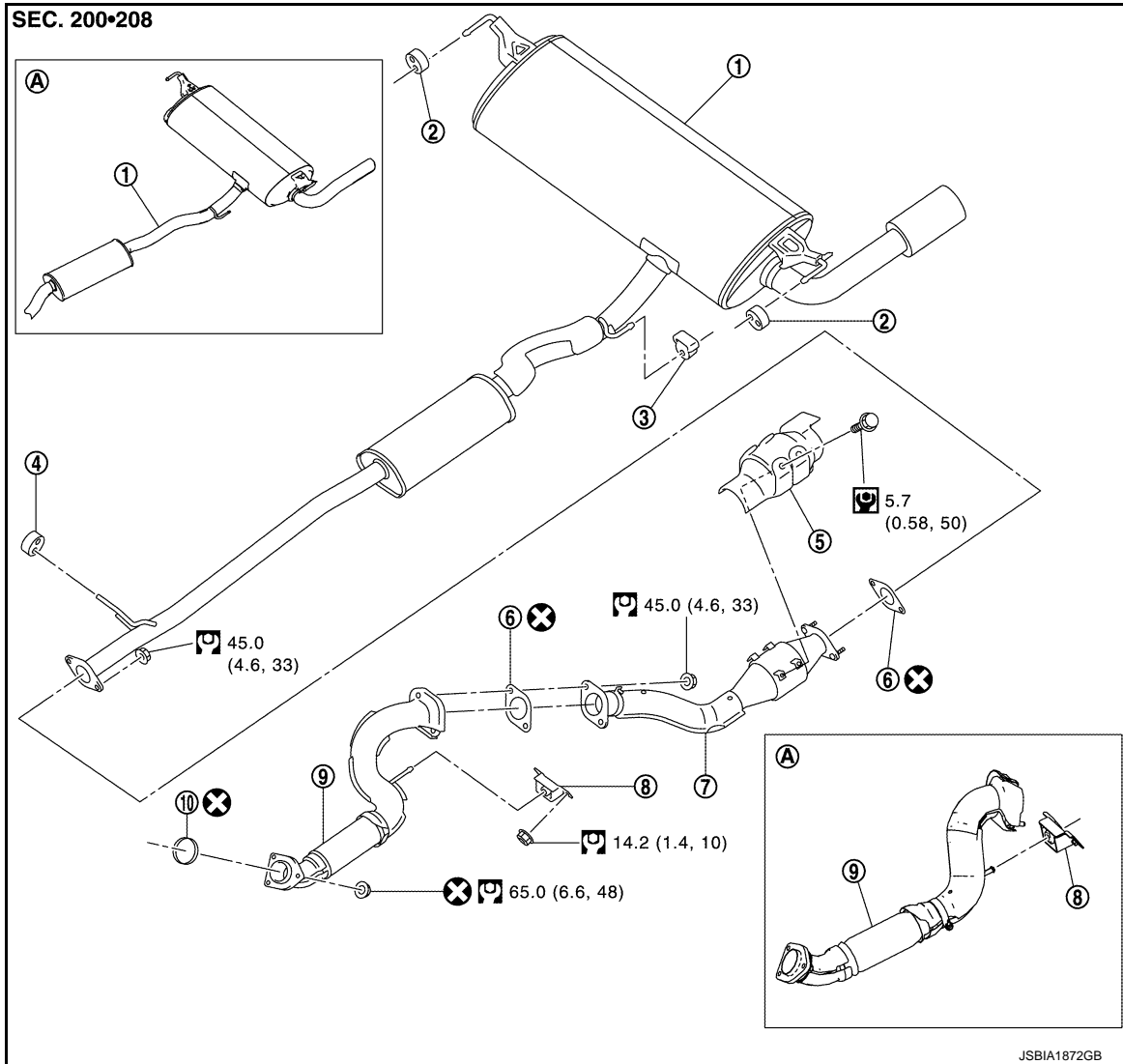
< REMOVAL AND INSTALLATION >

## REMOVAL AND INSTALLATION

### EXHAUST SYSTEM

Exploded View

INFOID:000000008281260



- |                        |                    |                       |
|------------------------|--------------------|-----------------------|
| 1. Muffler assembly    | 2. Mounting rubber | 3. Mounting rubber    |
| 4. Mounting rubber     | 5. Insulator       | 6. Gasket             |
| 7. Exhaust center tube | 8. Mounting rubber | 9. Exhaust front tube |
| 10. Gasket             |                    |                       |

A. 2WD

⊗ : Always replace after every disassembly.

☐ : N·m (kg·m, ft·lb)

☐ : N·m (kg·m, in·lb)

### Removal and Installation

INFOID:000000008281261

#### REMOVAL

- Disconnect each joint and mounting.

#### INSTALLATION

# EXHAUST SYSTEM

## < REMOVAL AND INSTALLATION >

Note the following, and install in the reverse order of removal.

### **CAUTION:**

- Always replace exhaust gasket with new ones when reassembling.
- If heat insulator is badly deformed, repair or replace it. If deposits such as mud pile up on the heat insulator, remove them.
- When installing heat insulator avoid large gaps or interference between heat insulator and each exhaust pipe.
- Remove deposits from the sealing surface of each connection. Connect them securely to avoid gas leakage.
- If it is difficult to install mounting rubber, use mild detergent for smooth installation.
- When installing each mounting rubber, avoid twisting or unusual extension in up/down and right/left directions.
- Temporarily tighten mounting nuts and bolts. Check each part for unusual interference, and then tighten them to the specified torque.

## Inspection

INFOID:000000008281262

## INSPECTION AFTER INSTALLATION

- Check clearance between tail tube and rear bumper is even.
- With engine running, check exhaust tube joints for gas leakage and unusual noises.
- Check to ensure that mounting brackets and mounting rubbers are installed properly and free from undue stress. Improper installation could result in excessive noise and vibration.

A

EX

C

D

E

F

G

H

I

J

K

L

M

N

O

P