

SECTION **EX**
EXHAUST SYSTEM

A
EX
C
D
E
F
G
H
I
J
K
L
M
N
O
P

CONTENTS

PRECAUTION	2	PERIODIC MAINTENANCE	4
PRECAUTIONS	2	EXHAUST SYSTEM	4
Precaution for Supplemental Restraint System (SRS) "AIR BAG" and "SEAT BELT PRE-TEN- SIONER"	2	Inspection	4
PREPARATION	3	REMOVAL AND INSTALLATION	5
PREPARATION	3	EXHAUST SYSTEM	5
Special Service Tool	3	Exploded View	5
Commercial Service Tools	3	Removal and Installation	5
		Inspection	6

PRECAUTIONS

< PRECAUTION >

PRECAUTION

PRECAUTIONS

Precaution for Supplemental Restraint System (SRS) "AIR BAG" and "SEAT BELT PRE-TENSIONER"

INFOID:000000010247493

The Supplemental Restraint System such as "AIR BAG" and "SEAT BELT PRE-TENSIONER", used along with a front seat belt, helps to reduce the risk or severity of injury to the driver and front passenger for certain types of collision. Information necessary to service the system safely is included in the SR and SB section of this Service Manual.

WARNING:

- To avoid rendering the SRS inoperative, which could increase the risk of personal injury or death in the event of a collision which would result in air bag inflation, all maintenance must be performed by an authorized NISSAN/INFINITI dealer.
- Improper maintenance, including incorrect removal and installation of the SRS, can lead to personal injury caused by unintentional activation of the system. For removal of Spiral Cable and Air Bag Module, see the SR section.
- Do not use electrical test equipment on any circuit related to the SRS unless instructed to in this Service Manual. SRS wiring harnesses can be identified by yellow and/or orange harnesses or harness connectors.

PRECAUTIONS WHEN USING POWER TOOLS (AIR OR ELECTRIC) AND HAMMERS

WARNING:

- When working near the Airbag Diagnosis Sensor Unit or other Airbag System sensors with the Ignition ON or engine running, DO NOT use air or electric power tools or strike near the sensor(s) with a hammer. Heavy vibration could activate the sensor(s) and deploy the air bag(s), possibly causing serious injury.
- When using air or electric power tools or hammers, always switch the Ignition OFF, disconnect the battery and wait at least three minutes before performing any service.

PREPARATION

< PREPARATION >

PREPARATION

PREPARATION

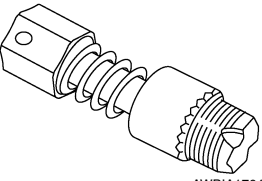
Special Service Tool

INFOID:000000010247612

A

EX

The actual shape of the tools may differ from those illustrated here.

Tool number (TechMate No.) Tool name	Description
<p>— (J-43897-18) Oxygen sensor thread cutter</p>  <p style="text-align: center;">AWBIA1764ZZ</p>	<p>Reconditioning the exhaust system threads before installing a new oxygen sensor (Use with anti-seize lubricant) M18 x 1.5 threads</p>


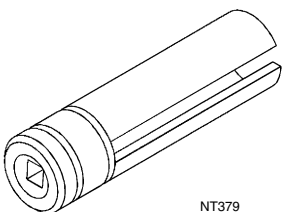
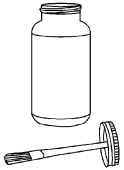
C

D

E

Commercial Service Tools

INFOID:000000010247613

Tool name	Description
<p>Power tool</p>  <p style="text-align: center;">PIIB1407E</p>	<p>Loosening nuts, screws and bolts</p>
<p>Heated oxygen sensor wrench</p>  <p style="text-align: center;">NT379</p>	<p>Loosening or tightening heated oxygen sensor For 22 mm (0.87 in) hexagon nut</p>
<p>Anti-seize lubricant (Permatex 133AR or equivalent meeting MIL specification MIL-A-907)</p>  <p style="text-align: center;">AEM489</p>	<p>Lubricating oxygen sensor thread cleaning tool when reconditioning exhaust system threads</p>

F

G

H

I

J

K

L

M

N

O

P

EXHAUST SYSTEM

< PERIODIC MAINTENANCE >

PERIODIC MAINTENANCE

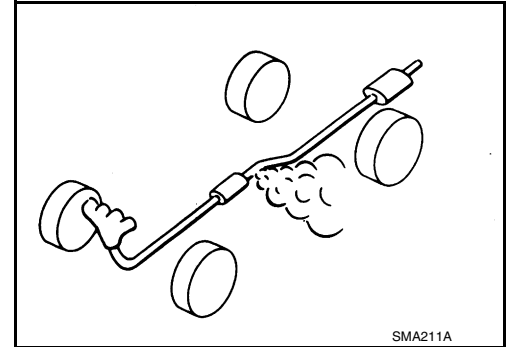
EXHAUST SYSTEM

Inspection

INFOID:000000009797960

Check exhaust pipes, muffler, and mounting for improper attachment, leakage, cracks, damage or deterioration.

- If anything is found, repair or replace damaged parts.



SMA211A

EXHAUST SYSTEM

< REMOVAL AND INSTALLATION >

REMOVAL AND INSTALLATION

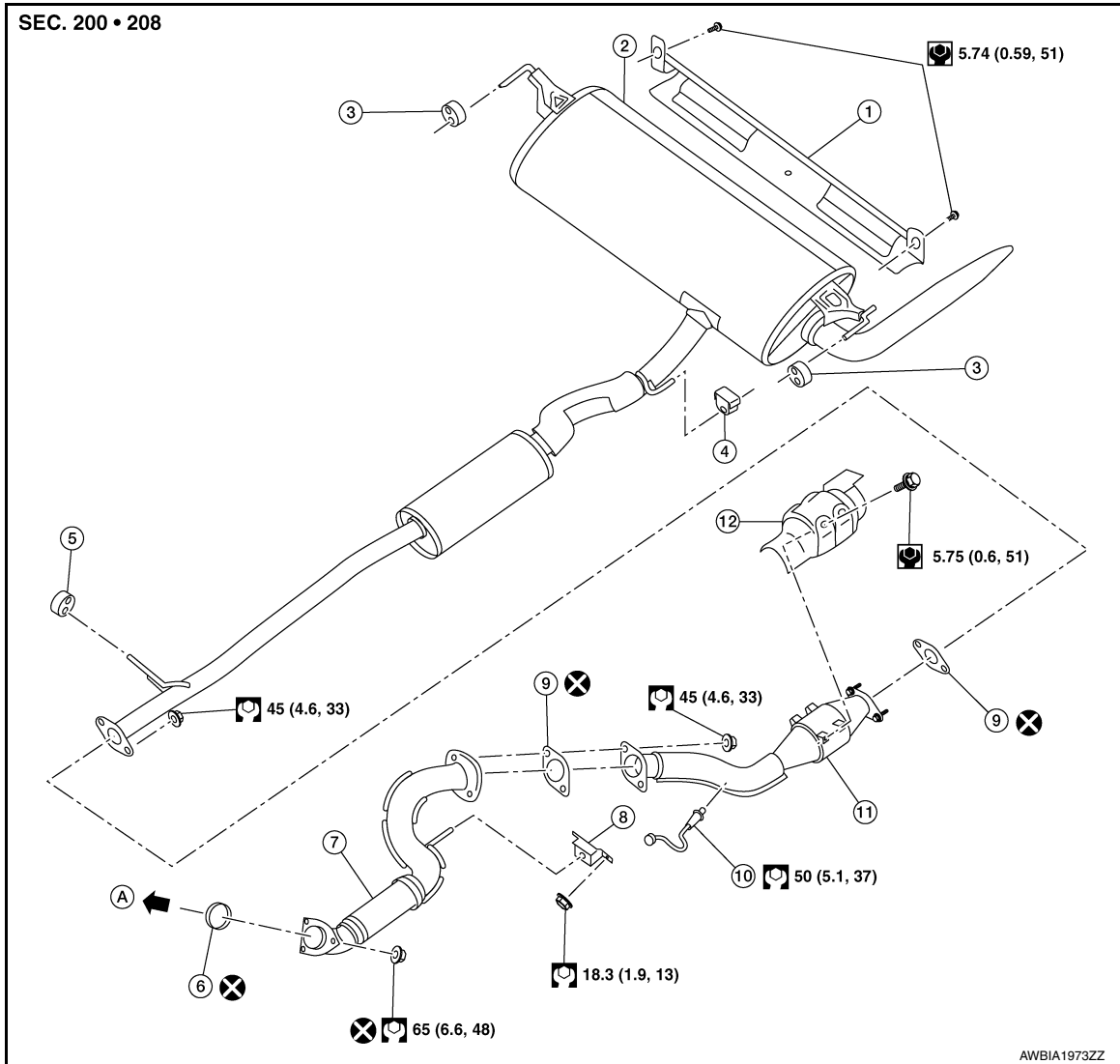
EXHAUST SYSTEM

Exploded View

INFOID:000000009797961

A

EX



- | | | |
|-----------------------------------------------|-------------------------|---------------------|
| 1. Exhaust diffuser | 2. Muffler assembly | 3. Mounting rubber |
| 4. Mounting rubber | 5. Mounting rubber | 6. Ring gasket |
| 7. Front exhaust tube | 8. Mounting rubber | 9. Exhaust gasket |
| 10. Oxygen sensor 2 | 11. Center exhaust tube | 12. Catalyst shroud |
| A. To exhaust manifold and three way catalyst | | |

Removal and Installation

INFOID:000000009797962

WARNING:

- Perform the procedures with the exhaust system fully cooled down to avoid injury from the hot exhaust system.
- Be careful not to cut your hand on the catalyst shroud edge.

CAUTION:

Use genuine NISSAN exhaust system parts or equivalent, which are specifically designed for heat resistance, corrosion resistance, and shape.

C

D

E

F

G

H

I

J

K

L

M

N

O

P

EXHAUST SYSTEM

< REMOVAL AND INSTALLATION >

REMOVAL

1. Remove exhaust system components using power tool.
2. Remove heated oxygen sensor 2 using suitable tool.

INSTALLATION

Installation is in the reverse order of removal.

CAUTION:

- Do not reuse exhaust gasket.
- Do not reuse nuts securing front exhaust tube to exhaust manifold and three way catalyst.
- Do not allow foreign substances to contact new exhaust gasket.
- Be sure to install ring gasket to prevent catching when tightening.
- Do not reuse ring gasket.
- Ensure flexible portion of front exhaust tube is free from deformation.
- During installation, take care not to deform mounting rubbers. After installing, the mounting rubbers shall show no excessive movement, twisting, or elongation. To facilitate installation, a neutral detergent may be used.
- Mounting rubbers installed at either side of muffler are to be installed in accordance with paint marks. Mounting rubber at LH side is installed with white paint mark facing forward. Mounting rubber at RH side is installed with white paint mark facing rearward.
- Do not spray exhaust tubes, muffler, heated oxygen sensor 2, or catalyst shroud with anti-corrosive wax.
- If catalyst shroud is badly deformed, repair or replace it. If deposits, such as mud, pile up on the catalyst shroud, remove them.
- When installing catalyst shroud, avoid large gaps or interference between catalyst shroud and exhaust pipe.
- Temporarily tighten fasteners and check each part for interference with other components, and then tighten fasteners to specification.
- Discard any heated oxygen sensor 2 which has been dropped.
- Before installing a new heated oxygen sensor 2, clean exhaust system threads using Tool.

Oxygen sensor thread cleaner : J-43897-18

- Tighten heated oxygen sensor 2 using suitable tool. Do not use impact wrench.
- Do not over tighten heated oxygen sensor 2. Doing so may cause damage to the heated oxygen sensor 2, resulting in the "MIL" coming on.
- Remove deposits from the sealing surface of each connection. Connect them securely to avoid exhaust gas leaks.

Inspection

INFOID:000000009797963

INSPECTION AFTER INSTALLATION

- Check clearance between tail tube and rear bumper is even.
- With engine running, check exhaust tube joints for gas leakage and unusual noises.
- Check to ensure that mounting brackets and mounting rubbers are installed properly and free from undue stress. Improper installation could result in excessive noise and vibration.