

SECTION **MIR**
MIRRORS

A
B
C
D
E
F
G
H
I
J
K
M
N
O
P

CONTENTS

PRECAUTION	2	SYMPTOM DIAGNOSIS	14
PRECAUTIONS	2	SQUEAK AND RATTLE TROUBLE DIAG- NOSES	14
Precaution for Supplemental Restraint System (SRS) "AIR BAG" and "SEAT BELT PRE-TEN- SIONER"	2	Work Flow	14
Precaution for Work	2	Generic Squeak and Rattle Troubleshooting	15
PREPARATION	3	Diagnostic Worksheet	18
PREPARATION	3	REMOVAL AND INSTALLATION	20
Special Service Tool	3	INSIDE MIRROR	20
Commercial Service Tools	3	Exploded View	20
WIRING DIAGRAM	4	Removal and Installation	20
INSIDE MIRROR	4	DOOR MIRROR	22
Wiring Diagram - With Homelink Universal Trans- ceiver	4	Exploded View	22
Wiring Diagram - Without Homelink Universal Transceiver	7	Removal and Installation	22
DOOR MIRROR	10	DOOR MIRROR GLASS	24
Wiring Diagram	10	Removal and Installation	24
DTC/CIRCUIT DIAGNOSIS	13	DOOR MIRROR REAR FINISHER	25
DOOR MIRROR REMOTE CONTROL SWITCH (MIRROR SWITCH/CHANGEVER SWITCH)	13	Removal and Installation	25
Component Inspection	13	SIDE CAMERA FINISHER	26
		Removal and Installation	26
		DOOR MIRROR REMOTE CONTROL SWITCH	27
		Removal and Installation	27

MIR

PRECAUTIONS

< PRECAUTION >

PRECAUTION

PRECAUTIONS

Precaution for Supplemental Restraint System (SRS) "AIR BAG" and "SEAT BELT PRE-TENSIONER"

INFOID:000000010284168

The Supplemental Restraint System such as "AIR BAG" and "SEAT BELT PRE-TENSIONER", used along with a front seat belt, helps to reduce the risk or severity of injury to the driver and front passenger for certain types of collision. Information necessary to service the system safely is included in the SR and SB section of this Service Manual.

WARNING:

- To avoid rendering the SRS inoperative, which could increase the risk of personal injury or death in the event of a collision which would result in air bag inflation, all maintenance must be performed by an authorized NISSAN/INFINITI dealer.
- Improper maintenance, including incorrect removal and installation of the SRS, can lead to personal injury caused by unintentional activation of the system. For removal of Spiral Cable and Air Bag Module, see the SR section.
- Do not use electrical test equipment on any circuit related to the SRS unless instructed to in this Service Manual. SRS wiring harnesses can be identified by yellow and/or orange harnesses or harness connectors.

PRECAUTIONS WHEN USING POWER TOOLS (AIR OR ELECTRIC) AND HAMMERS

WARNING:

- When working near the Airbag Diagnosis Sensor Unit or other Airbag System sensors with the Ignition ON or engine running, DO NOT use air or electric power tools or strike near the sensor(s) with a hammer. Heavy vibration could activate the sensor(s) and deploy the air bag(s), possibly causing serious injury.
- When using air or electric power tools or hammers, always switch the Ignition OFF, disconnect the battery and wait at least three minutes before performing any service.

Precaution for Work

INFOID:000000010284167

- When removing or disassembling each component, be careful not to damage or deform it. If a component may be subject to interference, be sure to protect it with a shop cloth.
- When removing (disengaging) components with a screwdriver or similar tool, be sure to wrap the component with a shop cloth or vinyl tape to protect it.
- Protect the removed parts with a shop cloth and prevent them from being dropped.
- Replace a deformed or damaged clip.
- If a part is specified as a non-reusable part, always replace it with a new one.
- Be sure to tighten bolts and nuts securely to the specified torque.
- After installation is complete, be sure to check that each part works properly.
- Follow the steps below to clean components:
 - Water soluble dirt:
 - Dip a soft cloth into lukewarm water, wring the water out of the cloth and wipe the dirty area.
 - Then rub with a soft, dry cloth.
 - Oily dirt:
 - Dip a soft cloth into lukewarm water with mild detergent (concentration: within 2 to 3%) and wipe the dirty area.
 - Then dip a cloth into fresh water, wring the water out of the cloth and wipe the detergent off.
 - Then rub with a soft, dry cloth.
 - Do not use organic solvent such as thinner, benzene, alcohol or gasoline.
 - For genuine leather seats, use a genuine leather seat cleaner.

PREPARATION

< PREPARATION >

PREPARATION

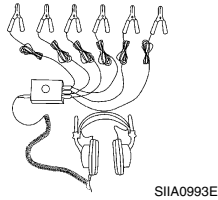
PREPARATION

Special Service Tool

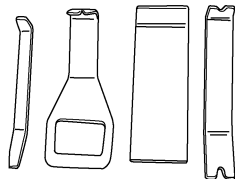
INFOID:000000010284251

The actual shape of the tools may differ from those illustrated here.

Tool number (TechMate No.) Tool name	Description
— (J-39570) Chassis Ear	Locating the noise
— (J-46534) Trim Tool Set	Removing trim components
— (J-50397) NISSAN Squeak and Rattle Kit	Repairing the cause of noise



SIIA0993E



AWJIA0483ZZ

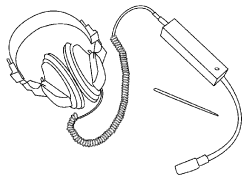


ALJIA1232ZZ

Commercial Service Tools

INFOID:000000010284252

(TechMate No.) Tool name	Description
(J-39565) Engine Ear	Locating the noise



SIIA0995E

A
B
C
D
E
F
G
H
I
J
K
M
N
O
P

MIR

INSIDE MIRROR

< WIRING DIAGRAM >

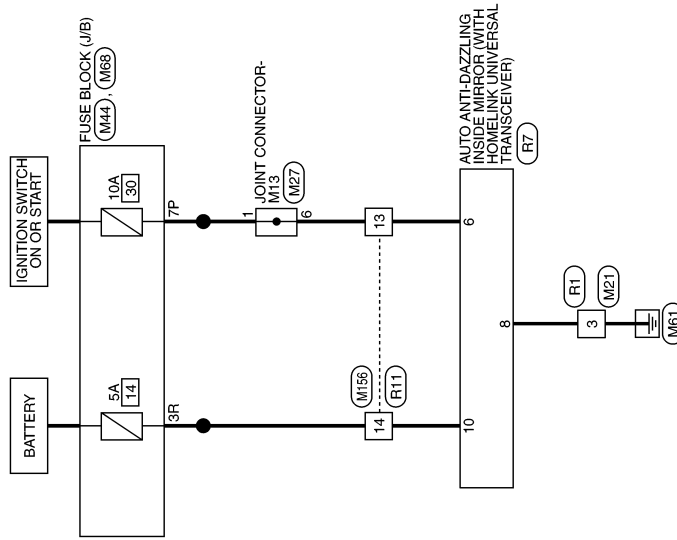
WIRING DIAGRAM

INSIDE MIRROR

Wiring Diagram - With Homelink Universal Transceiver

INFOID:000000010290348

INSIDE MIRROR - WITH HOMELINK UNIVERSAL TRANSCEIVER



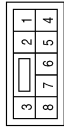
AALWA0784GB

INSIDE MIRROR

< WIRING DIAGRAM >

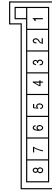
INSIDE MIRROR-WITH HOMELINK UNIVERSAL TRANSCEIVER CONNECTORS

Connector No.	M21
Connector Name	WIRE TO WIRE
Connector Color	WHITE



Terminal No.	3	Color of Wire	B	Signal Name	-
--------------	---	---------------	---	-------------	---

Connector No.	M27
Connector Name	JOINT CONNECTOR-M13
Connector Color	WHITE



Terminal No.	1	Color of Wire	SB	Signal Name	-
Terminal No.	6	Color of Wire	SB	Signal Name	-

Connector No.	M44
Connector Name	FUSE BLOCK (J/B)
Connector Color	WHITE



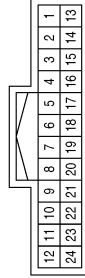
Terminal No.	7P	Color of Wire	Y	Signal Name	-
--------------	----	---------------	---	-------------	---

Connector No.	M68
Connector Name	FUSE BLOCK (J/B)
Connector Color	BROWN



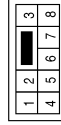
Terminal No.	3R	Color of Wire	V	Signal Name	-
--------------	----	---------------	---	-------------	---

Connector No.	M156
Connector Name	WIRE TO WIRE
Connector Color	WHITE



Terminal No.	13	Color of Wire	SB	Signal Name	-
Terminal No.	14	Color of Wire	GR	Signal Name	-

Connector No.	R1
Connector Name	WIRE TO WIRE
Connector Color	WHITE



Terminal No.	3	Color of Wire	B	Signal Name	-
--------------	---	---------------	---	-------------	---

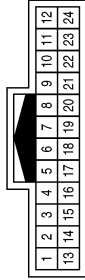
A
B
C
D
E
F
G
H
I
J
K
L
M
N
O
P

MIR

INSIDE MIRROR

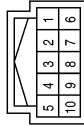
< WIRING DIAGRAM >

Connector No.	R11
Connector Name	WIRE TO WIRE
Connector Color	WHITE



Terminal No.	Color of Wire	Signal Name
13	SB	-
14	P	-

Connector No.	R7
Connector Name	AUTO ANTI-DAZZLING INSIDE MIRROR (WITH HOMELINK UNIVERSAL TRANSCIEIVER)
Connector Color	BLACK



Terminal No.	Color of Wire	Signal Name
6	SB	-
8	B	-
10	P	-

AALIA2170GB

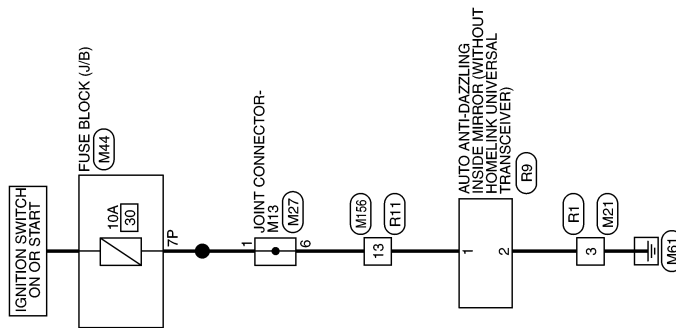
INSIDE MIRROR

< WIRING DIAGRAM >

Wiring Diagram - Without Homelink Universal Transceiver

INFOID:000000010290349

INSIDE MIRROR - WITHOUT HOMELINK UNIVERSAL TRANSCEIVER



A
B
C
D
E
F
G
H
I
J
K
M
N
O
P

MIR

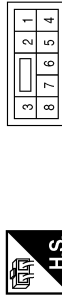
AALWA0785GB

INSIDE MIRROR

< WIRING DIAGRAM >

INSIDE MIRROR-WITHOUT HOMELINK TRANSCEIVER CONNECTORS

Connector No.	M21
Connector Name	WIRE TO WIRE
Connector Color	WHITE



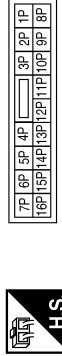
Terminal No.	3	Color of Wire	B	Signal Name	-
--------------	---	---------------	---	-------------	---

Connector No.	M27
Connector Name	JOINT CONNECTOR-M13
Connector Color	WHITE



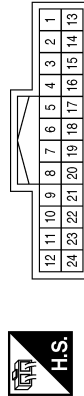
Terminal No.	1	Color of Wire	SB	Signal Name	-
Terminal No.	6	Color of Wire	SB	Signal Name	-

Connector No.	M44
Connector Name	FUSE BLOCK (J/B)
Connector Color	WHITE



Terminal No.	7P	Color of Wire	Y	Signal Name	-
--------------	----	---------------	---	-------------	---

Connector No.	M156
Connector Name	WIRE TO WIRE
Connector Color	WHITE



Terminal No.	13	Color of Wire	SB	Signal Name	-
--------------	----	---------------	----	-------------	---

Connector No.	R1
Connector Name	WIRE TO WIRE
Connector Color	WHITE



Terminal No.	3	Color of Wire	B	Signal Name	-
--------------	---	---------------	---	-------------	---

Connector No.	R9
Connector Name	AUTO ANTI-DAZZLING INSIDE MIRROR (WITHOUT HOMELINK UNIVERSAL TRANSCEIVER)
Connector Color	BLACK



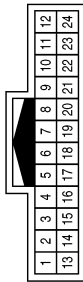
Terminal No.	1	Color of Wire	SB	Signal Name	-
Terminal No.	2	Color of Wire	B	Signal Name	-

INSIDE MIRROR

< WIRING DIAGRAM >

A
B
C
D
E
F
G
H
I
J
K
M
N
O
P

Connector No.	R11
Connector Name	WIRE TO WIRE
Connector Color	WHITE



Terminal No.	Color of Wire	Signal Name
13	SB	-

MIR

AALIA2172GB

DOOR MIRROR

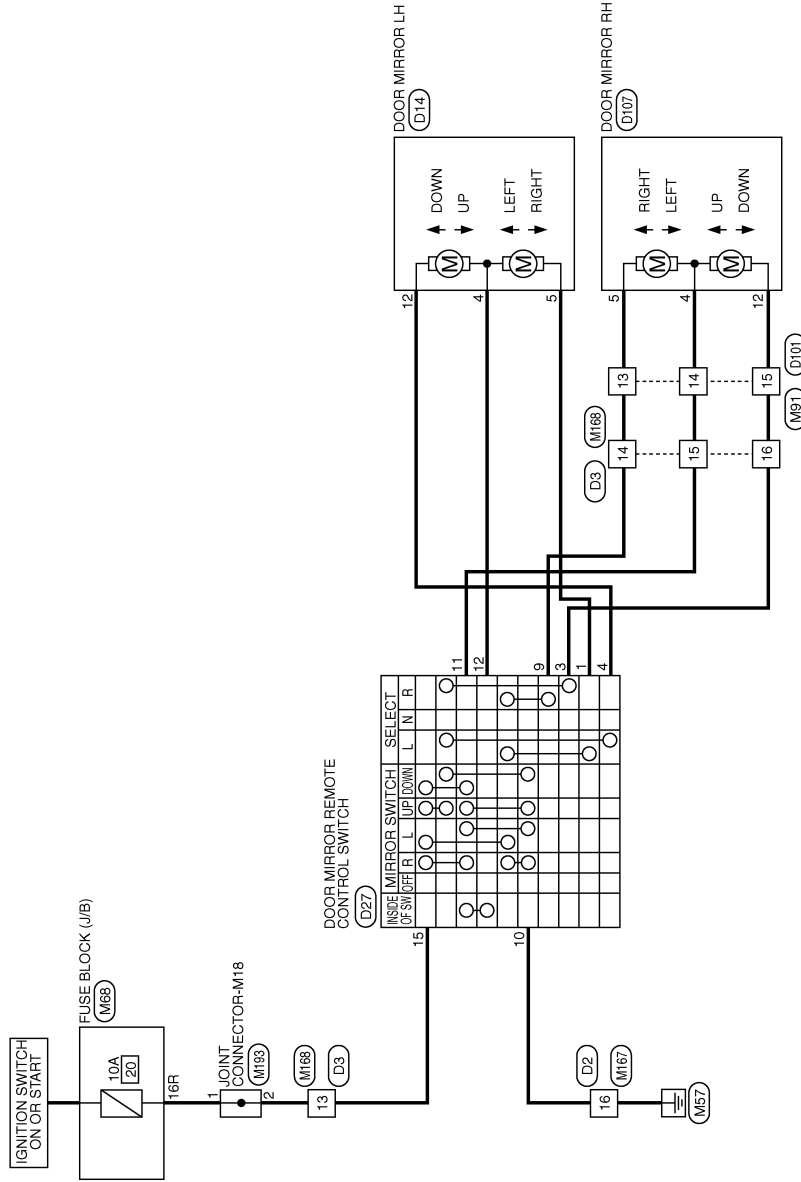
< WIRING DIAGRAM >

DOOR MIRROR

Wiring Diagram

INFOID:000000010290350

DOOR MIRROR



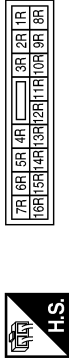
AALWA0791GB

DOOR MIRROR

< WIRING DIAGRAM >

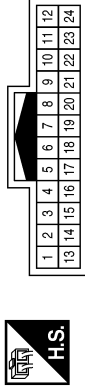
DOOR MIRROR CONNECTORS

Connector No.	M68
Connector Name	FUSE BLOCK (J/B)
Connector Color	BROWN



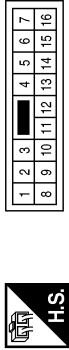
Terminal No.	Color of Wire	Signal Name
16R	GR	-

Connector No.	M91
Connector Name	WIRE TO WIRE
Connector Color	WHITE



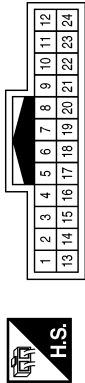
Terminal No.	Color of Wire	Signal Name
13	LA/SB	-
14	LA/GR	-
15	LAV	-

Connector No.	M167
Connector Name	WIRE TO WIRE
Connector Color	WHITE



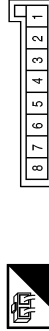
Terminal No.	Color of Wire	Signal Name
16	B	-

Connector No.	M168
Connector Name	WIRE TO WIRE
Connector Color	WHITE



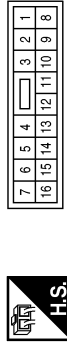
Terminal No.	Color of Wire	Signal Name
13	GR	-
14	LA/SB	-
15	LA/GR	-
16	LAV	-

Connector No.	M193
Connector Name	JOINT CONNECTOR-M18
Connector Color	WHITE



Terminal No.	Color of Wire	Signal Name
1	GR	-
2	GR	-

Connector No.	D2
Connector Name	WIRE TO WIRE
Connector Color	WHITE



Terminal No.	Color of Wire	Signal Name
16	B	-

AALIA2167GB

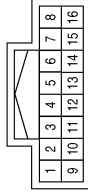
A
B
C
D
E
F
G
H
I
J
K
L
M
N
O
P

MIR

DOOR MIRROR

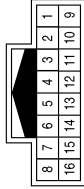
< WIRING DIAGRAM >

Connector No.	D27
Connector Name	DOOR MIRROR REMOTE CONTROL SWITCH
Connector Color	BLACK



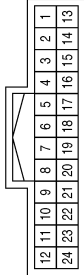
Terminal No.	Color of Wire	Signal Name
1	LA/W	-
3	LA/V	-
4	LA/GR	-
9	LA/Y	-
10	B	-
11	LA/LG	-
12	LA/BR	-
15	LA/W	-

Connector No.	D14
Connector Name	DOOR MIRROR LH
Connector Color	WHITE



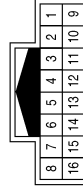
Terminal No.	Color of Wire	Signal Name
4	LA/BR	-
5	LA/W	-
12	LA/GR	-

Connector No.	D3
Connector Name	WIRE TO WIRE
Connector Color	WHITE



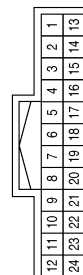
Terminal No.	Color of Wire	Signal Name
13	LA/W	-
14	LA/Y	-
15	LA/LG	-
16	LA/V	-

Connector No.	D107
Connector Name	DOOR MIRROR RH
Connector Color	WHITE



Terminal No.	Color of Wire	Signal Name
4	LA/R	-
5	LA/Y	-
12	LA/V	-

Connector No.	D101
Connector Name	WIRE TO WIRE
Connector Color	WHITE



Terminal No.	Color of Wire	Signal Name
13	LA/Y	-
14	LA/R	-
15	LA/V	-

AALIA2168GB

DOOR MIRROR REMOTE CONTROL SWITCH (MIRROR SWITCH/ CHANGEOVER SWITCH)

< DTC/CIRCUIT DIAGNOSIS >

DTC/CIRCUIT DIAGNOSIS

DOOR MIRROR REMOTE CONTROL SWITCH (MIRROR SWITCH/ CHANGEOVER SWITCH)

Component Inspection

INFOID:0000000010377391

1. CHECK MIRROR SWITCH & CHANGEOVER SWITCH

1. Turn ignition switch OFF.
2. Disconnect door mirror remote control switch connector.
3. Check door mirror remote control switch.

Door mirror remote control switch			Condition		Continuity
Terminal			Change over switch	Mirror switch	
RH	15	11	RIGHT	RIGHT	Yes
	10	3		LEFT	
	15	3		UP	
	10	11		DOWN	
	15	9			
	10	11			
	15	11			
	10	9			
LH	15	12	LEFT	RIGHT	Yes
	10	4		LEFT	
	15	4		UP	
	10	12		DOWN	
	15	1			
	10	12			
	15	12			
	10	1			

Is the inspection result normal?

- YES >> Inspection End.
 NO >> Replace door mirror remote control switch. Refer to [MIR-27, "Removal and Installation"](#).

MIR

SQUEAK AND RATTLE TROUBLE DIAGNOSES

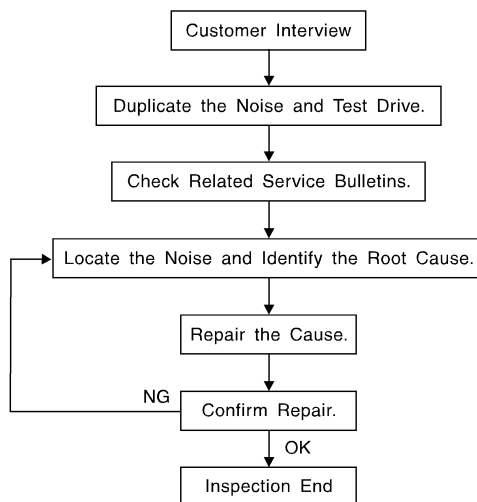
< SYMPTOM DIAGNOSIS >

SYMPTOM DIAGNOSIS

SQUEAK AND RATTLE TROUBLE DIAGNOSES

Work Flow

INFOID:000000010284241



SBT842

CUSTOMER INTERVIEW

Interview the customer if possible, to determine the conditions that exist when the noise occurs. Use the Diagnostic Worksheet during the interview to document the facts and conditions when the noise occurs and any customer's comments; refer to [MIR-18, "Diagnostic Worksheet"](#). This information is necessary to duplicate the conditions that exist when the noise occurs.

- The customer may not be able to provide a detailed description or the location of the noise. Attempt to obtain all the facts and conditions that exist when the noise occurs (or does not occur).
- If there is more than one noise in the vehicle, be sure to diagnose and repair the noise that the customer is concerned about. This can be accomplished by test driving the vehicle with the customer.
- After identifying the type of noise, isolate the noise in terms of its characteristics. The noise characteristics are provided so the customer, service adviser and technician are all speaking the same language when defining the noise.
- Squeak —(Like tennis shoes on a clean floor)
Squeak characteristics include the light contact/fast movement/brought on by road conditions/hard surfaces = higher pitch noise/softer surfaces = lower pitch noises/edge to surface = chirping.
- Creak—(Like walking on an old wooden floor)
Creak characteristics include firm contact/slow movement/twisting with a rotational movement/pitch dependent on materials/often brought on by activity.
- Rattle—(Like shaking a baby rattle)
Rattle characteristics include the fast repeated contact/vibration or similar movement/loose parts/missing clip or fastener/incorrect clearance.
- Knock —(Like a knock on a door)
Knock characteristics include hollow sounding/sometimes repeating/often brought on by driver action.
- Tick—(Like a clock second hand)
Tick characteristics include gentle contacting of light materials/loose components/can be caused by driver action or road conditions.
- Thump—(Heavy, muffled knock noise)
Thump characteristics include softer knock/dead sound often brought on by activity.
- Buzz—(Like a bumble bee)
Buzz characteristics include high frequency rattle/firm contact.
- Often the degree of acceptable noise level will vary depending upon the person. A noise that you may judge as acceptable may be very irritating to the customer.
- Weather conditions, especially humidity and temperature, may have a great effect on noise level.

DUPLICATE THE NOISE AND TEST DRIVE

SQUEAK AND RATTLE TROUBLE DIAGNOSES

< SYMPTOM DIAGNOSIS >

If possible, drive the vehicle with the customer until the noise is duplicated. Note any additional information on the Diagnostic Worksheet regarding the conditions or location of the noise. This information can be used to duplicate the same conditions when you confirm the repair.

If the noise can be duplicated easily during the test drive, to help identify the source of the noise, try to duplicate the noise with the vehicle stopped by doing one or all of the following:

- 1) Close a door.
 - 2) Tap or push/pull around the area where the noise appears to be coming from.
 - 3) Rev the engine.
 - 4) Use a floor jack to recreate vehicle "twist".
 - 5) At idle, apply engine load (electrical load, half-clutch on M/T model, drive position on CVT and A/T models).
 - 6) Raise the vehicle on a hoist and hit a tire with a rubber hammer.
- Drive the vehicle and attempt to duplicate the conditions the customer states exist when the noise occurs.
 - If it is difficult to duplicate the noise, drive the vehicle slowly on an undulating or rough road to stress the vehicle body.

CHECK RELATED SERVICE BULLETINS

After verifying the customer concern or symptom, check ASIST for Technical Service Bulletins (TSBs) related to that concern or symptom.

If a TSB relates to the symptom, follow the procedure to repair the noise.

LOCATE THE NOISE AND IDENTIFY THE ROOT CAUSE

1. Narrow down the noise to a general area. To help pinpoint the source of the noise, use a listening tool (Chassis Ear: J-39570, Engine Ear: J-39565 and mechanic's stethoscope).
2. Narrow down the noise to a more specific area and identify the cause of the noise by:
 - removing the components in the area that you suspect the noise is coming from.
Do not use too much force when removing clips and fasteners, otherwise clips and fasteners can be broken or lost during the repair, resulting in the creation of new noise.
 - tapping or pushing/pulling the component that you suspect is causing the noise.
Do not tap or push/pull the component with excessive force, otherwise the noise will be eliminated only temporarily.
 - feeling for a vibration with your hand by touching the component(s) that you suspect is (are) causing the noise.
 - placing a piece of paper between components that you suspect are causing the noise.
 - looking for loose components and contact marks.Refer to [MIR-15. "Generic Squeak and Rattle Troubleshooting"](#).

REPAIR THE CAUSE

- If the cause is a loose component, tighten the component securely.
- If the cause is insufficient clearance between components:
 - separate components by repositioning or loosening and retightening the component, if possible.
 - insulate components with a suitable insulator such as urethane pads, foam blocks, felt cloth tape or urethane tape. A NISSAN Squeak and Rattle Kit (J-50397) is available through your authorized NISSAN Parts Department.

CAUTION:

Do not use excessive force as many components are constructed of plastic and may be damaged.

NOTE:

- Always check with the Parts Department for the latest parts information.
- The materials contained in the NISSAN Squeak and Rattle Kit (J-50397) are listed on the inside cover of the kit; and can each be ordered separately as needed.
- The following materials not found in the kit can also be used to repair squeaks and rattles.
 - SILICONE GREASE: Use instead of UHMW tape that will be visible or does not fit. The silicone grease will only last a few months.
 - SILICONE SPRAY: Use when grease cannot be applied.
 - DUCT TAPE: Use to eliminate movement.

CONFIRM THE REPAIR

Confirm that the cause of a noise is repaired by test driving the vehicle. Operate the vehicle under the same conditions as when the noise originally occurred. Refer to the notes on the Diagnostic Worksheet.

Generic Squeak and Rattle Troubleshooting

INFOID:000000010284242

Refer to Table of Contents for specific component removal and installation information.

SQUEAK AND RATTLE TROUBLE DIAGNOSES

< SYMPTOM DIAGNOSIS >

INSTRUMENT PANEL

Most incidents are caused by contact and movement between:

1. Cluster lid A and the instrument panel
2. Acrylic lens and combination meter housing
3. Instrument panel to front pillar finisher
4. Instrument panel to windshield
5. Instrument panel pins
6. Wiring harnesses behind the combination meter
7. A/C defroster duct and duct joint

These incidents can usually be located by tapping or moving the components to duplicate the noise or by pressing on the components while driving to stop the noise. Most of these incidents can be repaired by applying felt cloth tape or silicone spray (in hard to reach areas). Urethane pads can be used to insulate wiring harness.

CAUTION:

Do not use silicone spray to isolate a squeak or rattle. If you saturate the area with silicone, you will not be able to recheck the repair.

CENTER CONSOLE

Components to pay attention to include:

1. Shift selector assembly cover to finisher
2. A/C control unit and cluster lid C
3. Wiring harnesses behind audio and A/C control unit

The instrument panel repair and isolation procedures also apply to the center console.

DOORS

Pay attention to the:

1. Finisher and inner panel making a slapping noise
2. Inside handle escutcheon to door finisher
3. Wiring harnesses tapping
4. Door striker out of alignment causing a popping noise on starts and stops

Tapping or moving the components or pressing on them while driving to duplicate the conditions can isolate many of these incidents. You can usually insulate the areas with felt cloth tape or insulator foam blocks from the NISSAN Squeak and Rattle Kit (J-50397) to repair the noise.

TRUNK

Trunk noises are often caused by a loose jack or loose items put into the trunk by the owner.

In addition look for:

1. Trunk lid bumpers out of adjustment
2. Trunk lid striker out of adjustment
3. The trunk lid torsion bars knocking together
4. A loose license plate or bracket

Most of these incidents can be repaired by adjusting, securing or insulating the item(s) or component(s) causing the noise.

SUNROOF/HEADLINING

Noises in the sunroof/headlining area can often be traced to one of the following:

1. Sunroof lid, rail, linkage or seals making a rattle or light knocking noise
2. Sun visor shaft shaking in the holder
3. Front or rear windshield touching headlining and squeaking

Again, pressing on the components to stop the noise while duplicating the conditions can isolate most of these incidents. Repairs usually consist of insulating with felt cloth tape.

OVERHEAD CONSOLE (FRONT AND REAR)

Overhead console noises are often caused by the console panel clips not being engaged correctly. Most of these incidents are repaired by pushing up on the console at the clip locations until the clips engage.

In addition look for:

SQUEAK AND RATTLE TROUBLE DIAGNOSES

< SYMPTOM DIAGNOSIS >

1. Loose harness or harness connectors.
2. Front console map/reading lamp lens loose.
3. Loose screws at console attachment points.

A

SEATS

When isolating seat noise it's important to note the position the seat is in and the load placed on the seat when the noise is present. These conditions should be duplicated when verifying and isolating the cause of the noise.

B

Cause of seat noise include:

C

1. Headrest rods and holder
2. A squeak between the seat pad cushion and frame
3. The rear seatback lock and bracket

D

These noises can be isolated by moving or pressing on the suspected components while duplicating the conditions under which the noise occurs. Most of these incidents can be repaired by repositioning the component or applying urethane tape to the contact area.

E

UNDERHOOD

Some interior noise may be caused by components under the hood or on the engine wall. The noise is then transmitted into the passenger compartment.

F

Causes of transmitted underhood noise include:

1. Any component installed to the engine wall
2. Components that pass through the engine wall
3. Engine wall mounts and connectors
4. Loose radiator installation pins
5. Hood bumpers out of adjustment
6. Hood striker out of adjustment

G

H

These noises can be difficult to isolate since they cannot be reached from the interior of the vehicle. The best method is to secure, move or insulate one component at a time and test drive the vehicle. Also, engine rpm or load can be changed to isolate the noise. Repairs can usually be made by moving, adjusting, securing, or insulating the component causing the noise.

I

J

K

MIR

M

N

O

P

SQUEAK AND RATTLE TROUBLE DIAGNOSES

< SYMPTOM DIAGNOSIS >

Diagnostic Worksheet

INFOID:000000010284243

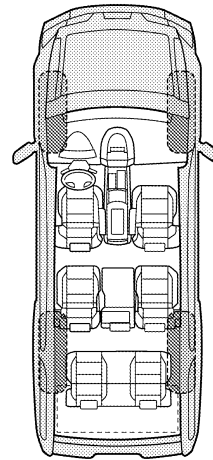
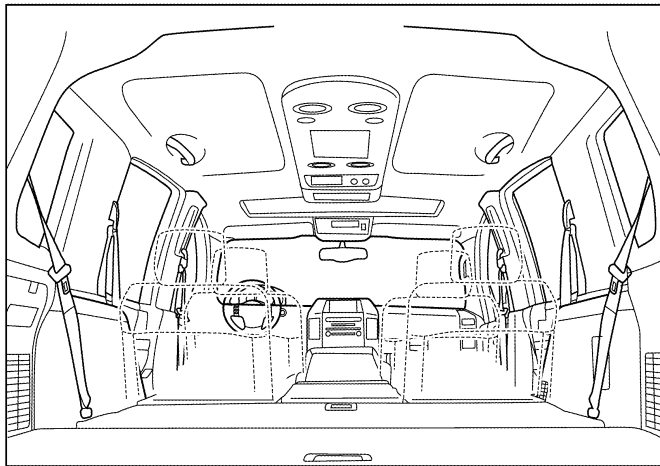
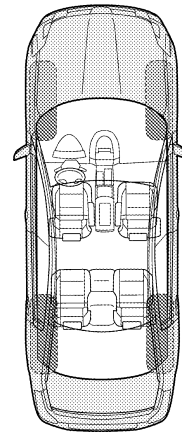
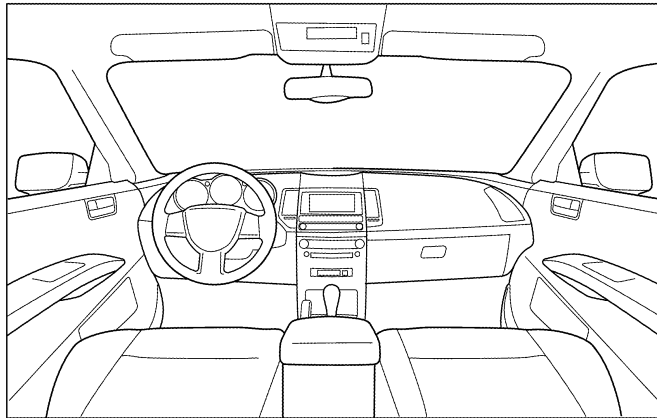
Dear Customer:

We are concerned about your satisfaction with your vehicle. Repairing a squeak or rattle sometimes can be very difficult. To help us fix your vehicle right the first time, please take a moment to note the area of the vehicle where the squeak or rattle occurs and under what conditions. You may be asked to take a test drive with a service advisor or technician to ensure we confirm the noise you are hearing.

SQUEAK & RATTLE DIAGNOSTIC WORKSHEET

I. WHERE DOES THE NOISE COME FROM? (circle the area of the vehicle)

The illustrations are for reference only, and may not reflect the actual configuration of your vehicle.



Continue to page 2 of the worksheet and briefly describe the location of the noise or rattle. In addition, please indicate the conditions which are present when the noise occurs.

SQUEAK AND RATTLE TROUBLE DIAGNOSES

< SYMPTOM DIAGNOSIS >

SQUEAK & RATTLE DIAGNOSTIC WORKSHEET - page 2

Briefly describe the location where the noise occurs:

II. WHEN DOES IT OCCUR? (please check the boxes that apply)

- | | |
|---|--|
| <input type="checkbox"/> Anytime | <input type="checkbox"/> After sitting out in the rain |
| <input type="checkbox"/> 1st time in the morning | <input type="checkbox"/> When it is raining or wet |
| <input type="checkbox"/> Only when it is cold outside | <input type="checkbox"/> Dry or dusty conditions |
| <input type="checkbox"/> Only when it is hot outside | <input type="checkbox"/> Other: |

III. WHEN DRIVING:

- Through driveways
- Over rough roads
- Over speed bumps
- Only about ____ mph
- On acceleration
- Coming to a stop
- On turns: left, right or either (circle)
- With passengers or cargo
- Other: _____
- After driving ____ miles or ____ minutes

IV. WHAT TYPE OF NOISE

- Squeak (like tennis shoes on a clean floor)
- Creak (like walking on an old wooden floor)
- Rattle (like shaking a baby rattle)
- Knock (like a knock at the door)
- Tick (like a clock second hand)
- Thump (heavy muffled knock noise)
- Buzz (like a bumble bee)

TO BE COMPLETED BY DEALERSHIP PERSONNEL

Test Drive Notes:

	YES	NO	Initials of person performing
Vehicle test driven with customer	<input type="checkbox"/>	<input type="checkbox"/>	_____
- Noise verified on test drive	<input type="checkbox"/>	<input type="checkbox"/>	_____
- Noise source located and repaired	<input type="checkbox"/>	<input type="checkbox"/>	_____
- Follow up test drive performed to confirm repair	<input type="checkbox"/>	<input type="checkbox"/>	_____

VIN: _____ Customer Name _____

W.O.# _____ Date: _____

This form must be attached to Work Order

LAI/A0071E

A

B

C

D

E

F

G

H

I

J

K

M

N

O

P

MIR

INSIDE MIRROR

< REMOVAL AND INSTALLATION >

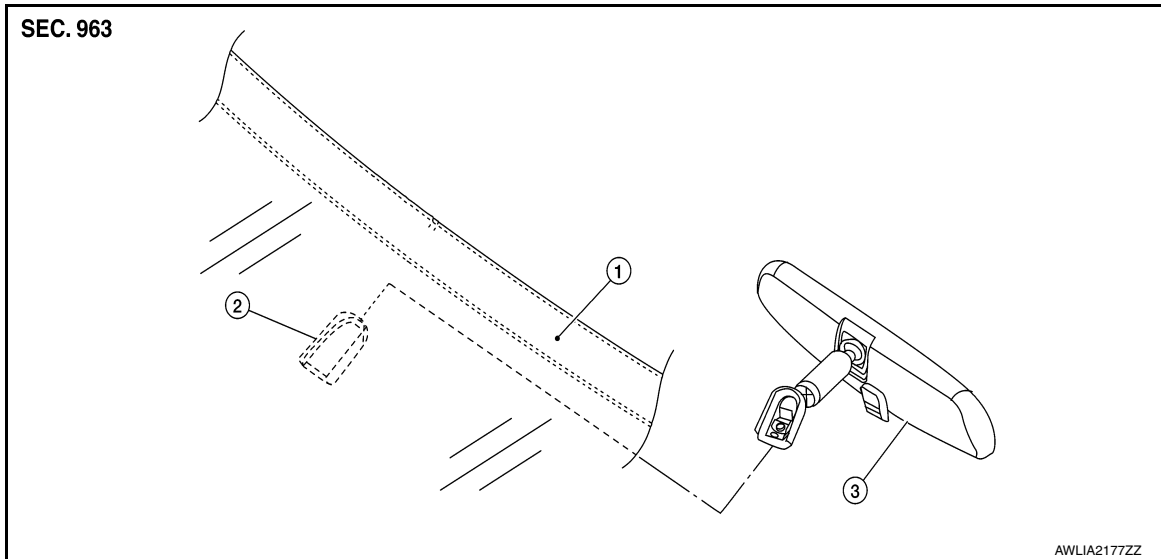
REMOVAL AND INSTALLATION

INSIDE MIRROR

Exploded View

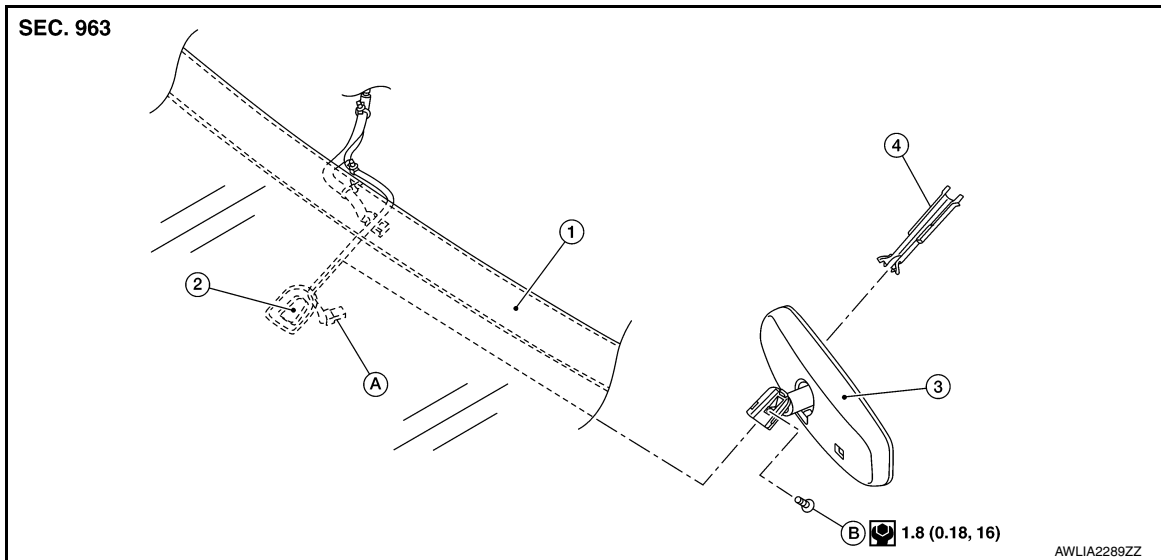
INFOID:000000009796276

MANUAL ANTI-DAZZLING



- 1. Windshield glass
- 2. Mirror base
- 3. Inside mirror

AUTO ANTI-DAZZLING



- 1. Windshield glass
- 2. Mirror base
- 3. Inside mirror
- 4. Inside mirror finisher
- A. Harness connector
- B. Bolt

Removal and Installation

INFOID:000000009796277

MANUAL ANTI-DAZZLING

Removal

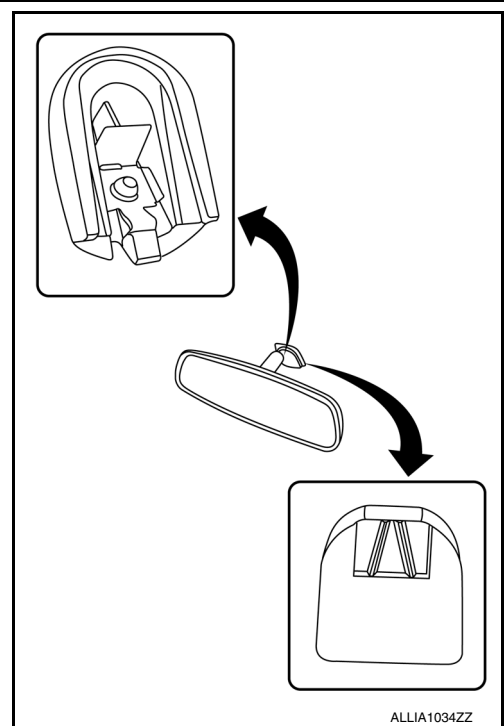
INSIDE MIRROR

< REMOVAL AND INSTALLATION >

1. Hold inside mirror at the base and push upward, while using a suitable tool to release the pawl and remove.

CAUTION:

Use care when removing inside mirror to avoid damage to mirror, mirror base or windshield glass.



Installation

Installation is in the reverse order of removal.

CAUTION:

Apply Genuine Mirror Adhesive or equivalent to bonding surface of mirror base if loose or removed. Refer to [GI-22, "Recommended Chemical Products and Sealants"](#).

AUTO ANTI-DAZZLING

Removal

1. Remove inside mirror finisher.
2. Disconnect the harness connector from the inside mirror.
3. Loosen bolt and slide inside mirror upward to remove.

Installation

Installation is in the reverse order of removal.

- Calibrate compass (if equipped).

CAUTION:

Apply Genuine Mirror Adhesive or equivalent to bonding surface of mirror base if loose or removed. Refer to [GI-22, "Recommended Chemical Products and Sealants"](#).

NOTE:

Calibrate the compass by driving the vehicle in a complete circle three times.

A
B
C
D
E
F
G
H
I
J
K
L
M
N
O
P

MIR

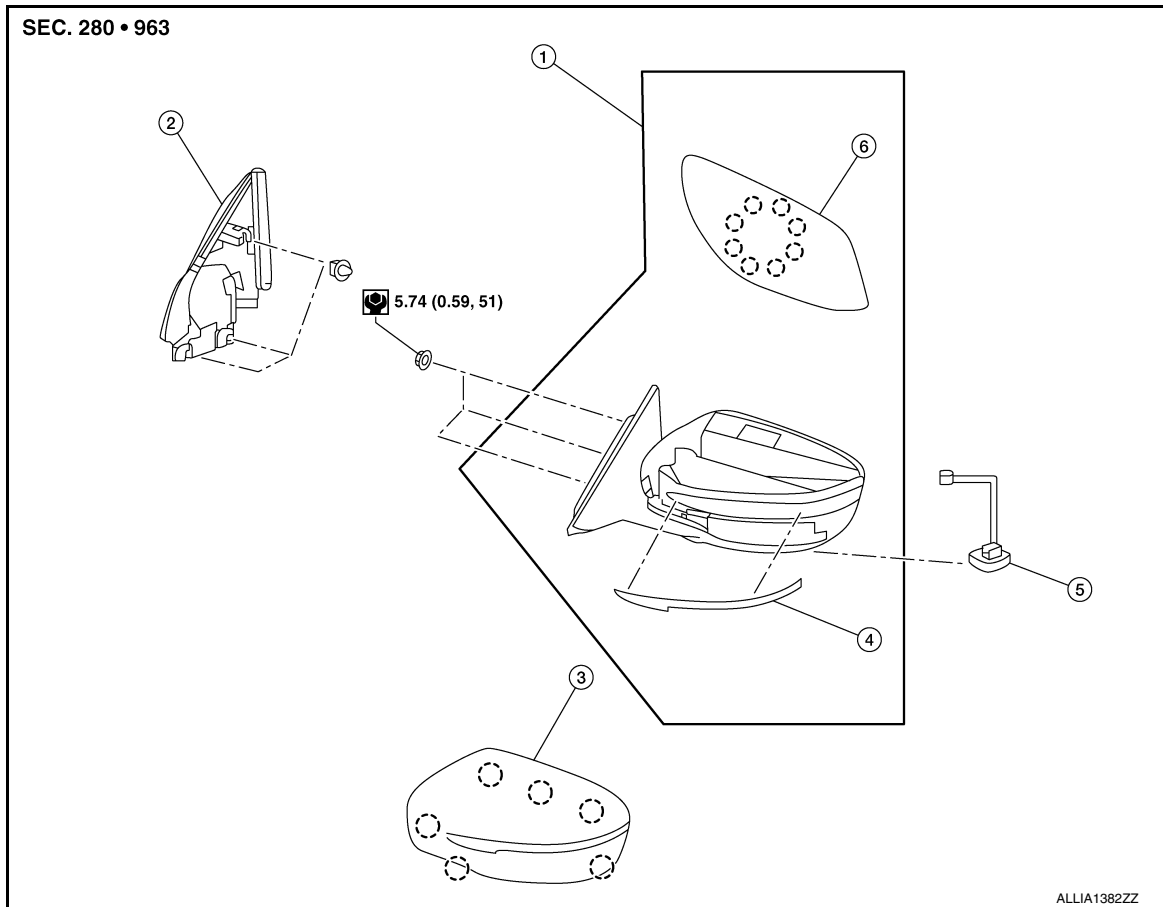
DOOR MIRROR

< REMOVAL AND INSTALLATION >

DOOR MIRROR

Exploded View

INFOID:000000009796278



- | | | |
|--------------------------|--------------------------------|------------------------------|
| 1. Door mirror | 2. Door mirror corner finisher | 3. Door mirror rear finisher |
| 4. Side turn signal lamp | 5. Side camera (if equipped) | 6. Door mirror glass |
- Pawl

Removal and Installation

INFOID:000000009796279

REMOVAL

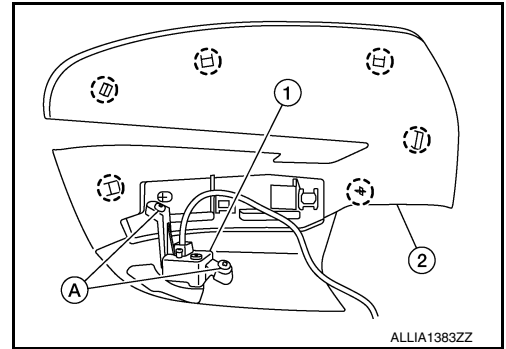
1. Remove front door finisher. Refer to [INT-15, "Removal and Installation"](#).
2. Release door mirror corner finisher clips using a suitable tool.
3. Disconnect the harness connector from the blind spot warning indicator (if equipped), then remove the door mirror corner finisher.
4. Disconnect the harness connector from the door mirror.
5. Remove door mirror nuts and door mirror.

DOOR MIRROR

< REMOVAL AND INSTALLATION >

6. Remove screws (A) and side camera (1) (if equipped) (if necessary) from door mirror rear finisher (2).

○: Pawl



INSTALLATION

Installation is in the reverse order of removal.

CAUTION:

Perform camera image calibration (if equipped with around view camera). Refer to [AV-136, "CALIBRATING CAMERA IMAGE \(AROUND VIEW MONITOR\) : Work Procedure"](#).

A
B
C
D
E
F
G
H
I
J
K
M
N
O
P

MIR

DOOR MIRROR GLASS

< REMOVAL AND INSTALLATION >

DOOR MIRROR GLASS

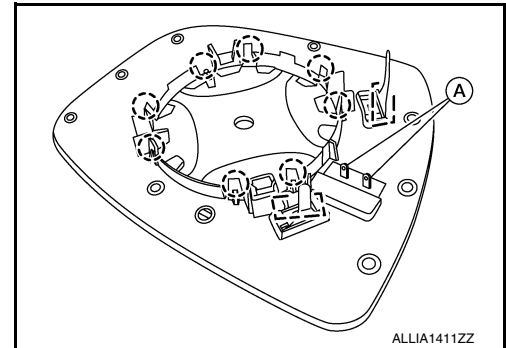
Removal and Installation

INFOID:000000009796281

REMOVAL

1. Release the metal clips and pawls that retain the door mirror glass using a suitable tool, disconnect the harness connectors (A) (if equipped) from the door mirror glass and remove.

- : Metal clip
- : Pawl



INSTALLATION

Installation is in the reverse order of removal.

CAUTION:

After installation, visually inspect that metal clips and pawls are securely engaged.

DOOR MIRROR REAR FINISHER

< REMOVAL AND INSTALLATION >

DOOR MIRROR REAR FINISHER

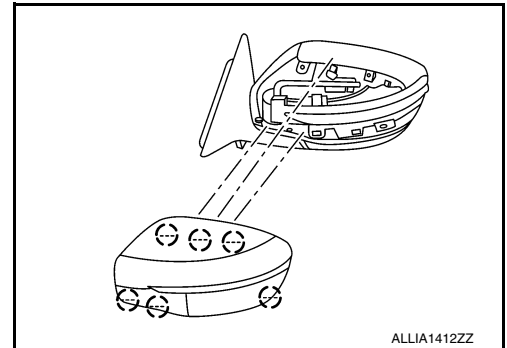
Removal and Installation

INFOID:000000009796282

REMOVAL

1. Beginning at the top of door mirror rear finisher and working around, use a suitable tool to release the pawls and remove door mirror rear finisher.

⊖: Pawl



INSTALLATION

Installation is in the reverse order of removal.

CAUTION:

After installation, visually check that all the pawls are securely engaged.

A
B
C
D
E
F
G
H
I
J
K
M
N
O
P

MIR

SIDE CAMERA FINISHER

< REMOVAL AND INSTALLATION >

SIDE CAMERA FINISHER

Removal and Installation

INFOID:000000010284254

The side camera finisher (if equipped) or door mirror lower finisher is serviced as part of the door mirror rear finisher. Refer to [MIR-25, "Removal and Installation"](#).

DOOR MIRROR REMOTE CONTROL SWITCH

< REMOVAL AND INSTALLATION >

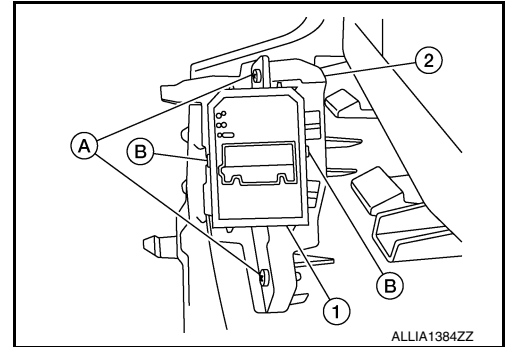
DOOR MIRROR REMOTE CONTROL SWITCH

Removal and Installation

INFOID:000000009796284

REMOVAL

1. Release pawls using a suitable tool and remove front door pull handle (LH). Refer to [INT-15, "Exploded View"](#).
2. Release pawls (B) using a suitable tool and remove door mirror remote control switch (1).
3. Remove screws (A) and door mirror remote control switch bracket (2) (if necessary).



INSTALLATION

Installation is in the reverse order of removal.

A
B
C
D
E
F
G
H
I
J
K
L
M
N
O
P

MIR