

SECTION **SE**
SEAT

A
B
C

CONTENTS

PRECAUTION	3	DRIVER SIDE	29	F
PRECAUTIONS	3	DRIVER SIDE : Exploded View	29	
Precaution for Supplemental Restraint System (SRS) "AIR BAG" and "SEAT BELT PRE-TENSIONER"	3	DRIVER SIDE : Removal and Installation	32	G
Precaution for Work	3	PASSENGER SIDE	32	
PREPARATION	4	PASSENGER SIDE : Exploded View	33	H
PREPARATION	4	PASSENGER SIDE : Removal and Installation	35	
Special Service Tool	4	SECOND ROW SEATS	37	I
Commercial Service Tool	4	Exploded View	37	
CLIP LIST	5	Removal and Installation	39	
Descriptions for Clips	5	THIRD ROW SEATS	42	SE
WIRING DIAGRAM	9	Exploded View	42	
POWER SEAT FOR DRIVER SIDE	9	Removal and Installation	43	
Wiring Diagram	9	Third Row Seat Cross Member	44	
POWER SEAT FOR PASSENGER SIDE	12	POWER SEAT SWITCH	46	K
Wiring Diagram	12	Exploded View	46	
LUMBAR SUPPORT SYSTEM	16	Removal and Installation	46	
Wiring Diagram	16	LUMBAR SUPPORT SWITCH	48	L
HEATED SEAT SYSTEM	19	Exploded View	48	
Wiring Diagram	19	Removal and Installation	48	
SYMPTOM DIAGNOSIS	23	HEATED SEAT SWITCH	50	M
SQUEAK AND RATTLE TROUBLE DIAGNOSES	23	Exploded View	50	
Work Flow	23	Removal and Installation	50	
Generic Squeak and Rattle Troubleshooting	24	UNIT DISASSEMBLY AND ASSEMBLY ...	51	N
Diagnostic Worksheet	27	FRONT SEAT	51	
REMOVAL AND INSTALLATION	29	Exploded View	51	O
FRONT SEAT	29	Seatback	56	
		Seat Cushion	60	
		Lumbar Support	62	P
		Front Seat Heater	63	
		SECOND ROW SEAT	65	
		Exploded View	65	
		LH SEAT	67	
		LH SEAT : Seatback	67	

LH SEAT : Seat Cushion	69	RH SEAT : Seat Cushion	79
LH SEAT : Armrest Assembly	71	THIRD ROW SEAT	82
LH SEAT : EZ Entry Cable	73	Exploded View	82
LH SEAT : Seat Slide Release Cable	75	Seatback	83
RH SEAT	77	Seat Cushion	85
RH SEAT : Seatback	77		

PRECAUTIONS

< PRECAUTION >

PRECAUTION

PRECAUTIONS

Precaution for Supplemental Restraint System (SRS) "AIR BAG" and "SEAT BELT PRE-TENSIONER"

INFOID:000000011280439

The Supplemental Restraint System such as "AIR BAG" and "SEAT BELT PRE-TENSIONER", used along with a front seat belt, helps to reduce the risk or severity of injury to the driver and front passenger for certain types of collision. Information necessary to service the system safely is included in the SR and SB section of this Service Manual.

WARNING:

- To avoid rendering the SRS inoperative, which could increase the risk of personal injury or death in the event of a collision which would result in air bag inflation, all maintenance must be performed by an authorized NISSAN/INFINITI dealer.
- Improper maintenance, including incorrect removal and installation of the SRS, can lead to personal injury caused by unintentional activation of the system. For removal of Spiral Cable and Air Bag Module, see the SR section.
- Do not use electrical test equipment on any circuit related to the SRS unless instructed to in this Service Manual. SRS wiring harnesses can be identified by yellow and/or orange harnesses or harness connectors.

PRECAUTIONS WHEN USING POWER TOOLS (AIR OR ELECTRIC) AND HAMMERS

WARNING:

- When working near the Airbag Diagnosis Sensor Unit or other Airbag System sensors with the Ignition ON or engine running, DO NOT use air or electric power tools or strike near the sensor(s) with a hammer. Heavy vibration could activate the sensor(s) and deploy the air bag(s), possibly causing serious injury.
- When using air or electric power tools or hammers, always switch the Ignition OFF, disconnect the battery and wait at least three minutes before performing any service.

Precaution for Work

INFOID:000000011280440

- When removing or disassembling each component, be careful not to damage or deform it. If a component may be subject to interference, be sure to protect it with a shop cloth.
- When removing (disengaging) components with a screwdriver or similar tool, be sure to wrap the component with a shop cloth or vinyl tape to protect it.
- Protect the removed parts with a shop cloth and prevent them from being dropped.
- Replace a deformed or damaged clip.
- If a part is specified as a non-reusable part, always replace it with a new one.
- Be sure to tighten bolts and nuts securely to the specified torque.
- After installation is complete, be sure to check that each part works properly.
- Follow the steps below to clean components:
 - Water soluble dirt:
 - Dip a soft cloth into lukewarm water, wring the water out of the cloth and wipe the dirty area.
 - Then rub with a soft, dry cloth.
 - Oily dirt:
 - Dip a soft cloth into lukewarm water with mild detergent (concentration: within 2 to 3%) and wipe the dirty area.
 - Then dip a cloth into fresh water, wring the water out of the cloth and wipe the detergent off.
 - Then rub with a soft, dry cloth.
 - Do not use organic solvent such as thinner, benzene, alcohol or gasoline.
 - For genuine leather seats, use a genuine leather seat cleaner.

PREPARATION

< PREPARATION >

PREPARATION

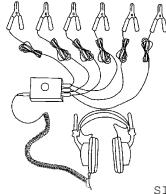
PREPARATION

Special Service Tool

INFOID:000000011280441

The actual shape of the tools may differ from those illustrated here.

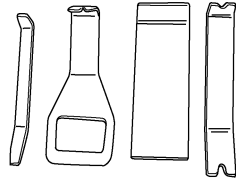
Tool number (TechMate No.) Tool name	Description
— (J-39570) Chassis Ear	Locating the noise
— (J-50397) NISSAN Squeak and Rattle Kit	Repairing the cause of noise
— (J-46534) Trim Tool Set	Removing trim components



SIIA0993E



ALJIA1232Z

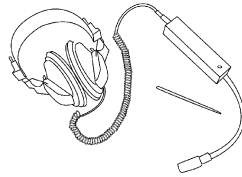


AWJIA0483Z

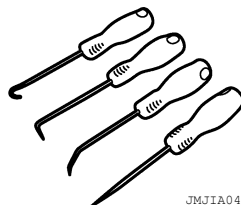
Commercial Service Tool

INFOID:000000011280442

(TechMate No.) Tool name	Description
(J-39565) Engine Ear	Locating the noise
(—) Hook and Pick Tool	Removes snap rings



SIIA0995E



JMJIA0490Z

CLIP LIST


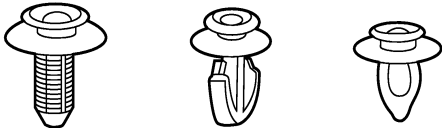


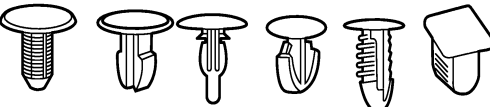
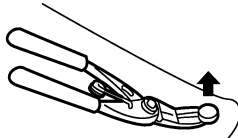

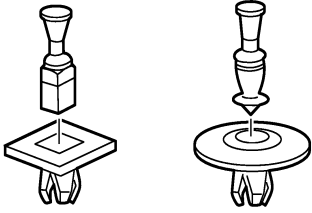
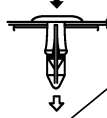
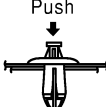

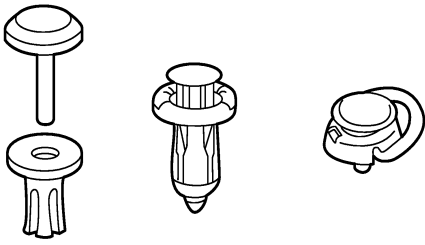
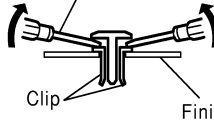

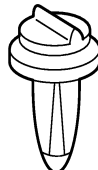
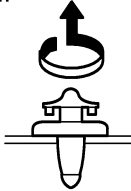
< PREPARATION >

CLIP LIST

Descriptions for Clips

INFOID:000000011280443

Replace any clips which are damaged during removal or installation.


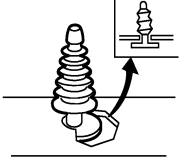
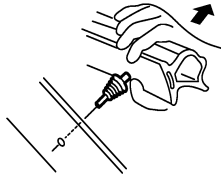

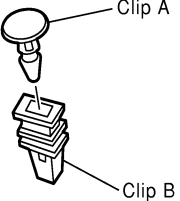
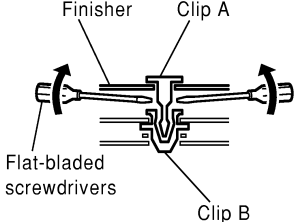

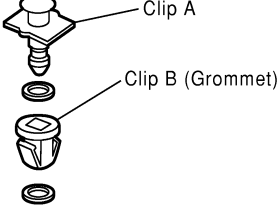
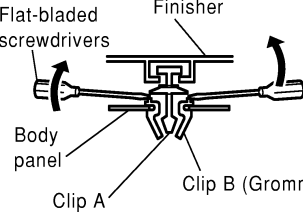
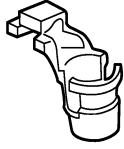
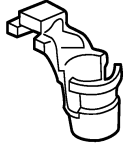
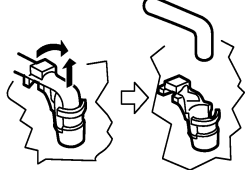

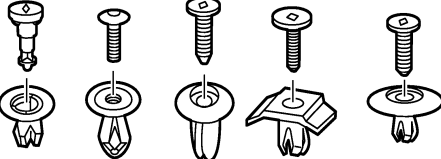

Symbol No.	Shapes	Removal & Installation
C101 		<p>Removal: Remove by bending up with flat-bladed screwdrivers or clip remover.</p> 
C103 		 <p>Removal: Remove with a clip remover.</p>
C203 		<p>Removal: Push center pin to catching position. (Do not remove center pin by hitting it.)</p> <p>Push</p>  <p>Installation:</p> 
C205 		<p>Removal:</p> <p>Flat-bladed screwdriver</p>  <p>Clip</p> <p>Finisher</p>
C206 		<p>Removal:</p> 

SIIA0315E

A
B
C
D
E
F
G
H
I
SE
K
L
M
N
O
P

CLIP LIST


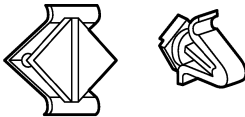

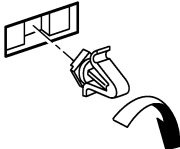

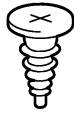



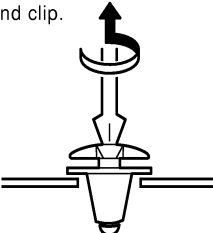


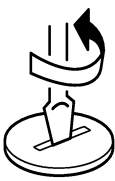
< PREPARATION >

Symbol No.	Shapes	Removal & Installation
<p>CE103</p> 		<p>Removal:</p> 
<p>CF110</p> 		<p>Removal:</p> 
<p>CF118</p> 		<p>Removal:</p> 
<p>CR103</p> 		<p>Removal: Holder portion of clip must be spread out to remove rod.</p> 
<p>CS101</p> 		<p>Removal:</p> <ol style="list-style-type: none"> 1. Screw out with a Phillips screwdriver. 2. Remove female portion with flat-bladed screwdriver. 

SIIA0316E

CLIP LIST

< PREPARATION >


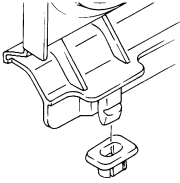
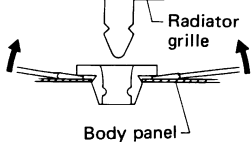

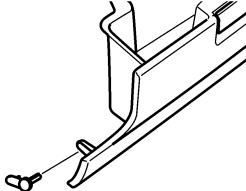
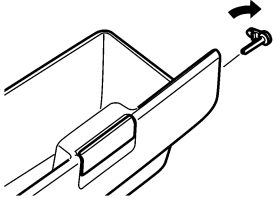

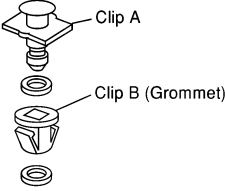
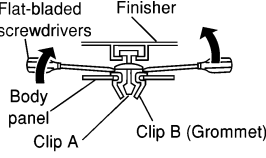
Symbol No.	Shapes	Removal & Installation	
CG101 		Removal:  Rotate 45° to remove	Installation: 
CS102 			
CS113 		Removal: Disconnect upper connection of clip with a flat-bladed screwdriver, then remove clip while inserting a flat-bladed screwdriver between body panel and clip. 	
C111 			

SIIA0317E

A
B
C
D
E
F
G
H
I
SE
K
L
M
N
O
P

CLIP LIST

< PREPARATION >

Symbol No.	Shapes	Removal & Installation
<p>CG104</p> 		<p>Removal: Remove by bending up with flat-bladed screwdrivers.</p> 
<p>CE114</p> 		
<p>CF118</p> 		<p>Removal: Flat-bladed screwdrivers Finisher screwdrivers</p> 

ALJIA0564GB

POWER SEAT FOR DRIVER SIDE

< WIRING DIAGRAM >

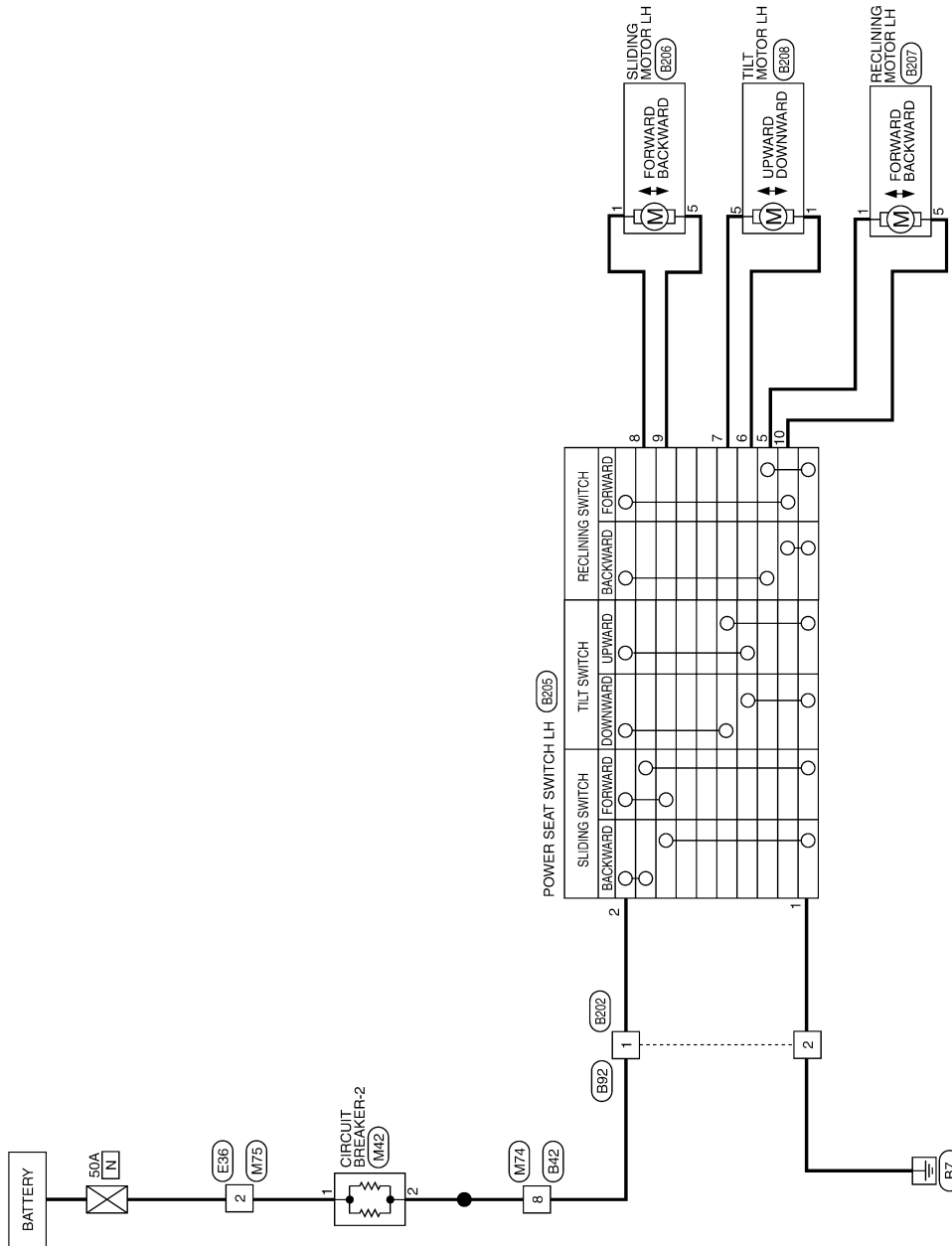
WIRING DIAGRAM

POWER SEAT FOR DRIVER SIDE

Wiring Diagram

INFOID:0000000011280444

POWER SEAT FOR DRIVER SIDE



A
B
C
D
E
F
G
H
I
SE
K
L
M
N
O
P

POWER SEAT FOR DRIVER SIDE

< WIRING DIAGRAM >

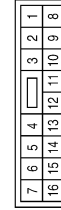
POWER SEAT FOR DRIVER SIDE CONNECTORS

Connector No.	M42
Connector Name	CIRCUIT BREAKER-2
Connector Color	WHITE



Terminal No.	Color of Wire	Signal Name
1	W	-
2	P	-

Connector No.	M74
Connector Name	WIRE TO WIRE
Connector Color	WHITE



Terminal No.	Color of Wire	Signal Name
8	BR	-

Connector No.	M75
Connector Name	WIRE TO WIRE
Connector Color	BLACK



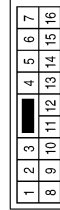
Terminal No.	Color of Wire	Signal Name
2	W	-

Connector No.	E36
Connector Name	WIRE TO WIRE
Connector Color	BLACK



Terminal No.	Color of Wire	Signal Name
2	W	-

Connector No.	B42
Connector Name	WIRE TO WIRE
Connector Color	WHITE



Terminal No.	Color of Wire	Signal Name
8	LA/G	-

Connector No.	B92
Connector Name	WIRE TO WIRE
Connector Color	WHITE

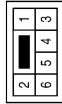


Terminal No.	Color of Wire	Signal Name
1	LA/G	-
2	LA/B	-

POWER SEAT FOR DRIVER SIDE

< WIRING DIAGRAM >

Connector No.	B202
Connector Name	WIRE TO WIRE
Connector Color	WHITE



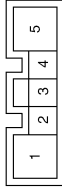
Terminal No.	Color of Wire	Signal Name
1	R	-
2	B	-

Connector No.	B205
Connector Name	POWER SEAT SWITCH LH
Connector Color	WHITE



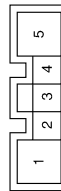
Terminal No.	Color of Wire	Signal Name
1	B	-
2	R	-
3	-	-
4	-	-
5	BR	-
6	V	-
7	R	-
8	L	-
9	SB	-
10	P	-

Connector No.	B206
Connector Name	SLIDING MOTOR LH
Connector Color	BLACK



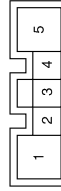
Terminal No.	Color of Wire	Signal Name
1	L	-
2	-	-
3	-	-
4	-	-
5	SB	-

Connector No.	B207
Connector Name	RECLINING MOTOR LH
Connector Color	BLACK



Terminal No.	Color of Wire	Signal Name
1	BR	-
2	-	-
3	-	-
4	-	-
5	P	-

Connector No.	B208
Connector Name	TILT MOTOR LH
Connector Color	BLACK



Terminal No.	Color of Wire	Signal Name
1	V	-
2	-	-
3	-	-
4	-	-
5	R	-

AAJIA0586GB

A B C D E F G H I SE K L M N O P

POWER SEAT FOR PASSENGER SIDE

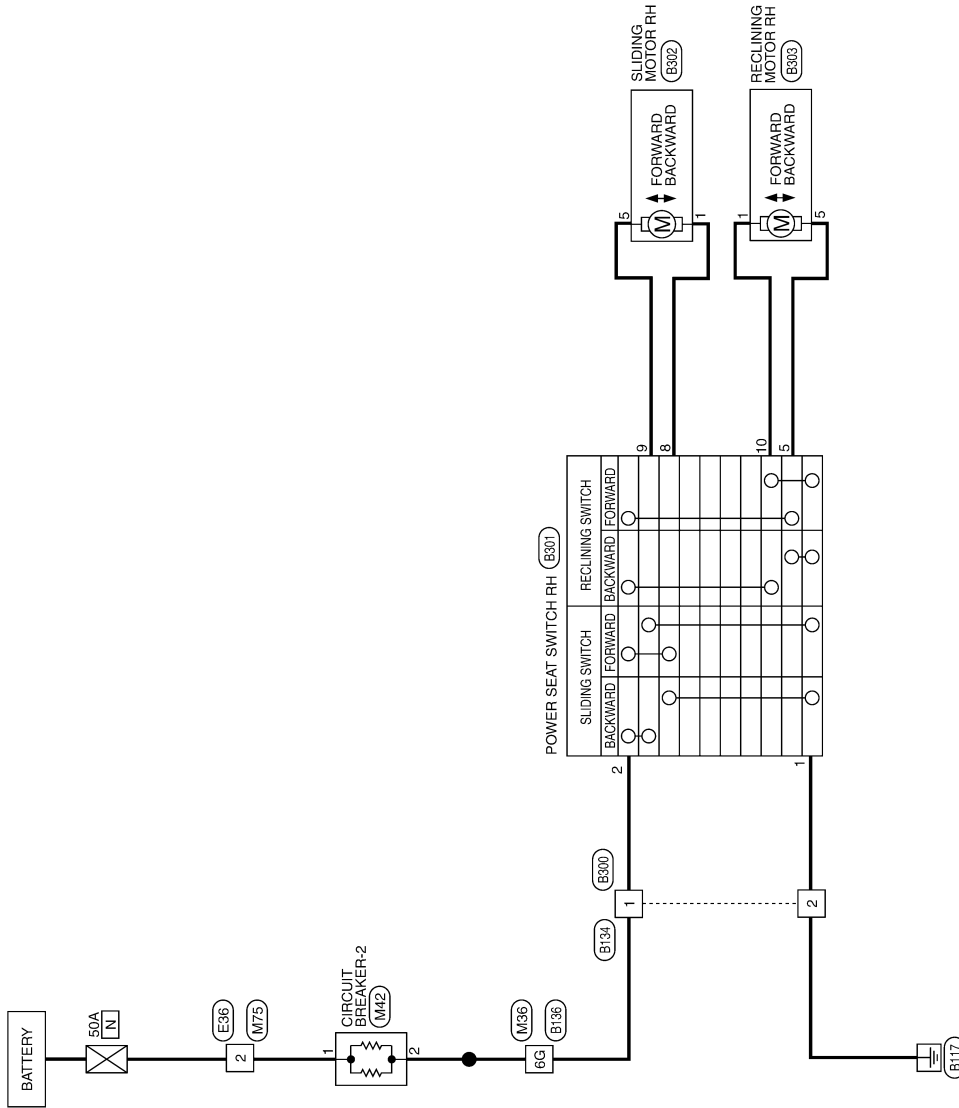
< WIRING DIAGRAM >

POWER SEAT FOR PASSENGER SIDE

Wiring Diagram

INFOID:000000011280445

POWER SEAT FOR PASSENGER SIDE



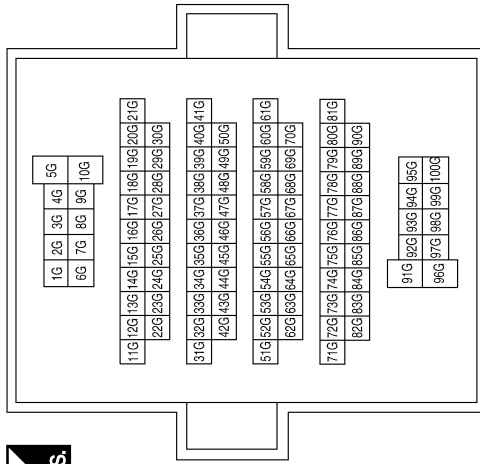
AAJWA0239GB

POWER SEAT FOR PASSENGER SIDE

< WIRING DIAGRAM >

POWER SEAT FOR PASSENGER SIDE CONNECTORS

Connector No.	M36
Connector Name	WIRE TO WIRE
Connector Color	WHITE



Terminal No.	Color of Wire	Signal Name
6G	SB	-

Connector No.	M42
Connector Name	CIRCUIT BREAKER-2
Connector Color	WHITE



Terminal No.	Color of Wire	Signal Name
1	W	-
2	P	-

Connector No.	M75
Connector Name	WIRE TO WIRE
Connector Color	BLACK



Connector No.	E36
Connector Name	WIRE TO WIRE
Connector Color	BLACK



Terminal No.	Color of Wire	Signal Name
2	W	-

Connector No.	B134
Connector Name	WIRE TO WIRE
Connector Color	WHITE



Terminal No.	Color of Wire	Signal Name
1	LA/BR	-
2	LA/B	-

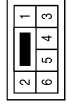
AAJIA0457GB

A
B
C
D
E
F
G
H
I
SE
K
L
M
N
O
P

POWER SEAT FOR PASSENGER SIDE

< WIRING DIAGRAM >

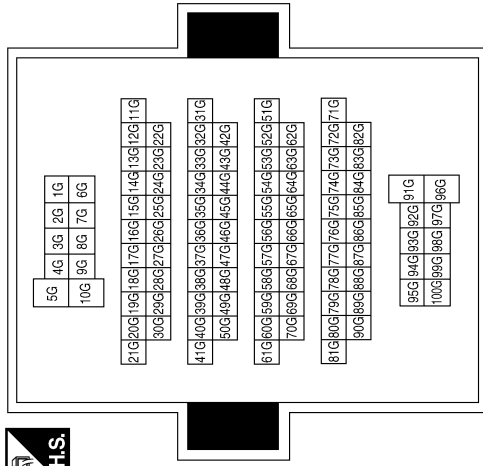
Connector No.	B300
Connector Name	WIRE TO WIRE
Connector Color	WHITE



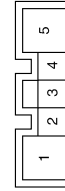
Terminal No.	Color of Wire	Signal Name
1	R	-
2	B	-

Terminal No.	Color of Wire	Signal Name
6G	LA/BR	-

Connector No.	B136
Connector Name	WIRE TO WIRE
Connector Color	WHITE



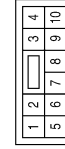
Connector No.	B302
Connector Name	SLIDING MOTOR RH
Connector Color	BLACK



Terminal No.	Color of Wire	Signal Name
1	L	-
2	-	-
3	-	-
4	-	-
5	SB	-

Terminal No.	Color of Wire	Signal Name
5	P	-
6	-	-
7	-	-
8	L	-
9	SB	-
10	BR	-

Connector No.	B301
Connector Name	POWER SEAT SWITCH RH
Connector Color	WHITE



Terminal No.	Color of Wire	Signal Name
1	B	-
2	R	-
3	-	-
4	-	-

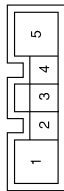
AAJIA0587GB

POWER SEAT FOR PASSENGER SIDE

< WIRING DIAGRAM >

A
B
C
D
E
F
G
H
I
SE
K
L
M
N
O
P

Connector No.	B303
Connector Name	RECLINING MOTOR RH
Connector Color	BLACK



Terminal No.	Color of Wire	Signal Name
1	BR	-
2	-	-
3	-	-
4	-	-
5	P	-

AAJIA0459GB

LUMBAR SUPPORT SYSTEM

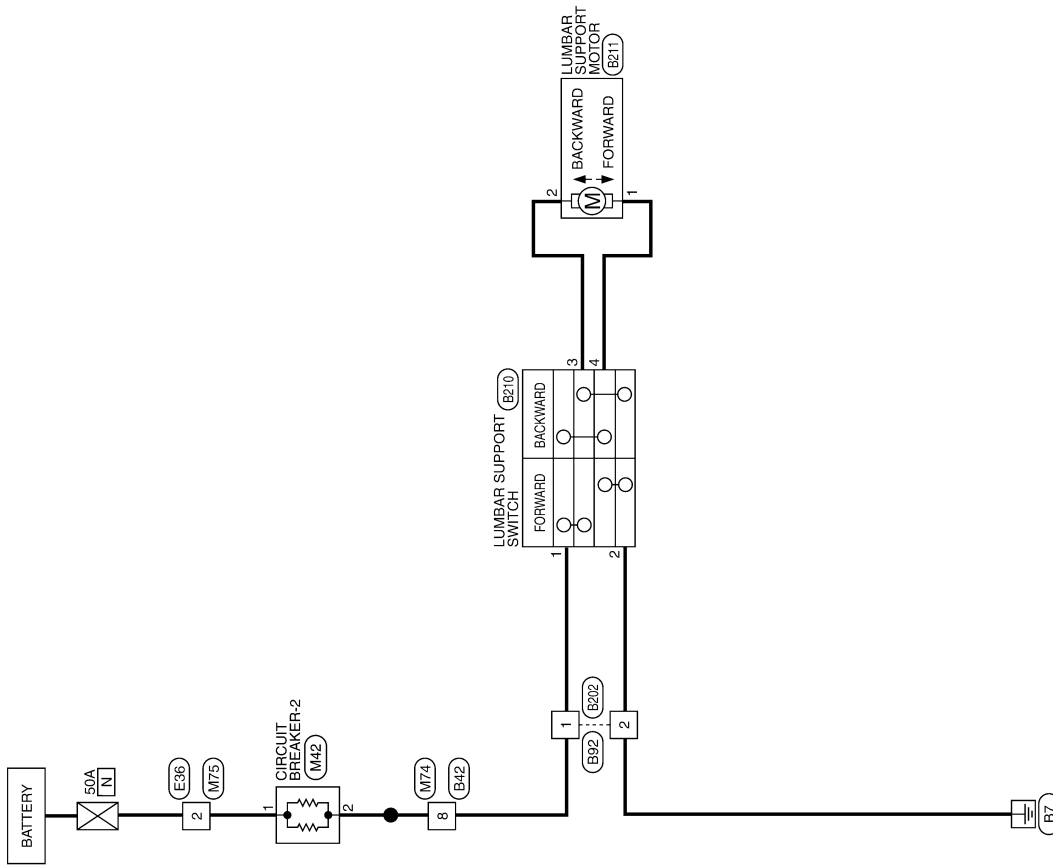
< WIRING DIAGRAM >

LUMBAR SUPPORT SYSTEM

Wiring Diagram

INFOID:000000011280446

LUMBAR SUPPORT SYSTEM



AAJWA0236GB

LUMBAR SUPPORT SYSTEM

< WIRING DIAGRAM >

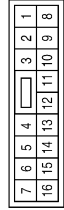
LUMBAR SUPPORT SYSTEM CONNECTORS

Connector No.	M42
Connector Name	CIRCUIT BREAKER-2
Connector Color	WHITE



Terminal No.	Color of Wire	Signal Name
1	W	-
2	P	-

Connector No.	M74
Connector Name	WIRE TO WIRE
Connector Color	WHITE



Terminal No.	Color of Wire	Signal Name
8	BR	-

Connector No.	M75
Connector Name	WIRE TO WIRE
Connector Color	BLACK



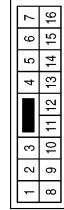
Terminal No.	Color of Wire	Signal Name
2	W	-

Connector No.	E36
Connector Name	WIRE TO WIRE
Connector Color	BLACK



Terminal No.	Color of Wire	Signal Name
2	W	-

Connector No.	B42
Connector Name	WIRE TO WIRE
Connector Color	WHITE



Terminal No.	Color of Wire	Signal Name
8	LA/G	-

Connector No.	B92
Connector Name	WIRE TO WIRE
Connector Color	WHITE



Terminal No.	Color of Wire	Signal Name
1	LA/G	-
2	LA/B	-

AAJIA0582GB

A
B
C
D
E
F
G
H
I
SE
K
L
M
N
O
P

LUMBAR SUPPORT SYSTEM

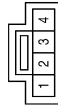
< WIRING DIAGRAM >

Connector No.	B211
Connector Name	LUMBAR SUPPORT MOTOR
Connector Color	BLACK



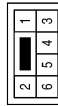
Terminal No.	Color of Wire	Signal Name
1	G	-
2	Y	-

Connector No.	B210
Connector Name	LUMBAR SUPPORT SWITCH
Connector Color	BROWN



Terminal No.	Color of Wire	Signal Name
1	R	-
2	B	-
3	Y	-
4	G	-

Connector No.	B202
Connector Name	WIRE TO WIRE
Connector Color	WHITE



Terminal No.	Color of Wire	Signal Name
1	R	-
2	B	-

AAJIA0585GB

HEATED SEAT SYSTEM

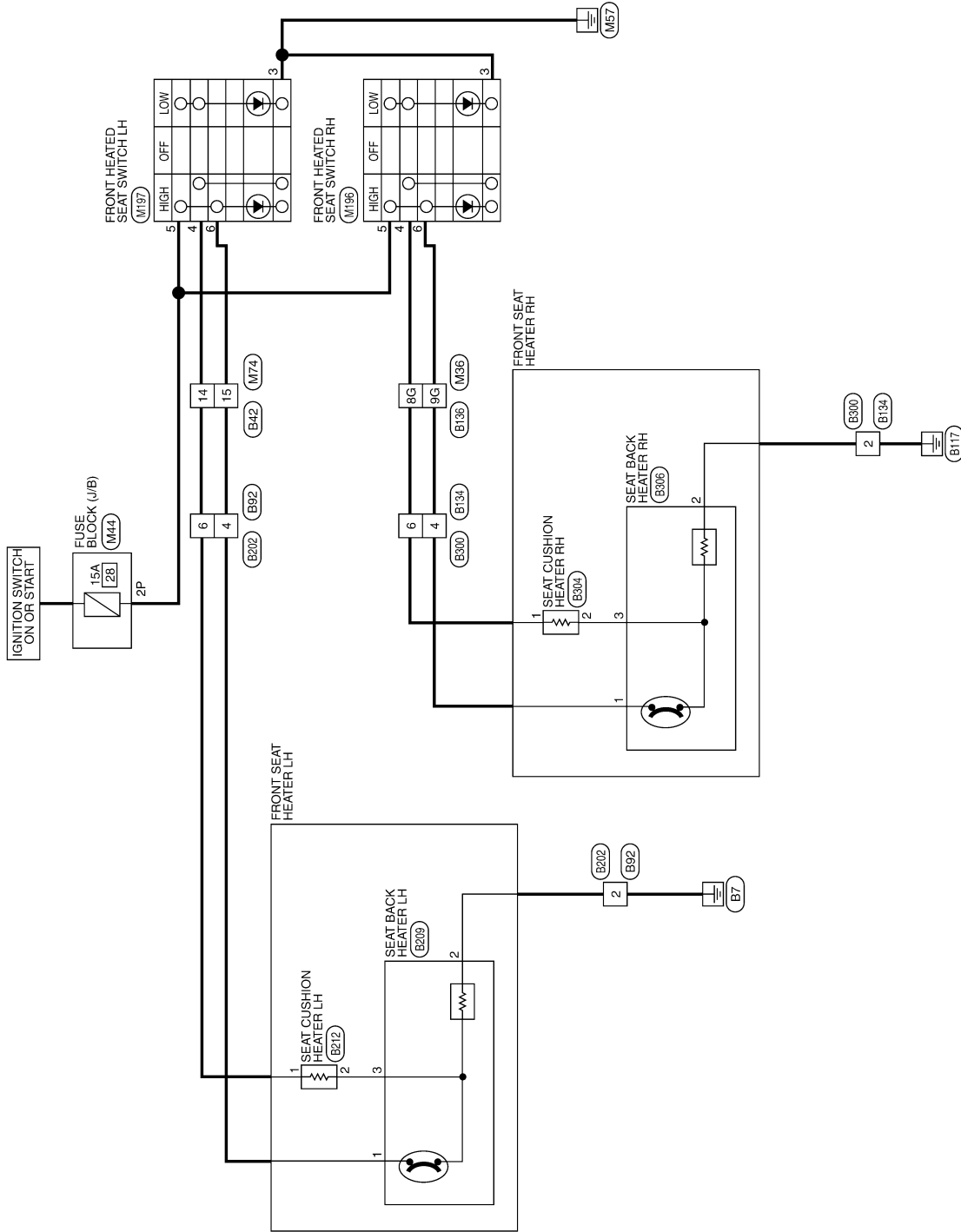
< WIRING DIAGRAM >

HEATED SEAT SYSTEM

Wiring Diagram

INFOID:0000000011280447

HEATED SEAT



A
B
C
D
E
F
G
H
I
SE
K
L
M
N
O
P

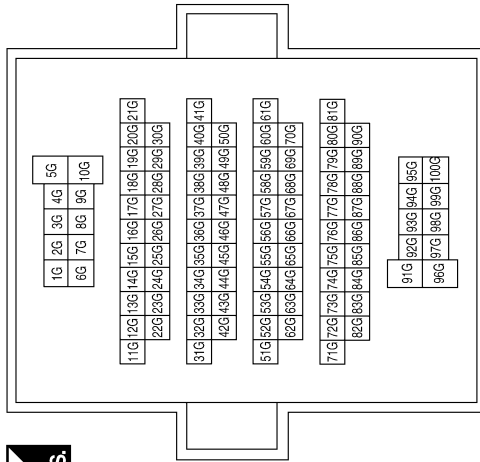
AAJWA0237GB

HEATED SEAT SYSTEM

< WIRING DIAGRAM >

HEATED SEAT CONNECTORS

Connector No.	M36
Connector Name	WIRE TO WIRE
Connector Color	WHITE



Terminal No.	Color of Wire	Signal Name
8G	LAY	-
9G	LAW	-

Connector No.	M44
Connector Name	FUSE BLOCK (J/B)
Connector Color	WHITE



Terminal No.	Color of Wire	Signal Name
2P	G	-

Connector No.	M74
Connector Name	WIRE TO WIRE
Connector Color	WHITE



Connector No.	M196
Connector Name	FRONT HEATED SEAT SWITCH RH
Connector Color	BROWN



Terminal No.	Color of Wire	Signal Name
14	LA/L	-
15	LA/BR	-

Connector No.	M197
Connector Name	FRONT HEATED SEAT SWITCH LH
Connector Color	WHITE



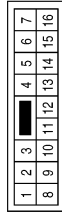
Terminal No.	Color of Wire	Signal Name
3	B	-
4	LA/L	-
5	G	-
6	LA/BR	-

AAJIA0450GB

HEATED SEAT SYSTEM

< WIRING DIAGRAM >

Connector No.	B42
Connector Name	WIRE TO WIRE
Connector Color	WHITE



Terminal No.	Color of Wire	Signal Name
14	LA/BG	--
15	LA/BR	--

Connector No.	B92
Connector Name	WIRE TO WIRE
Connector Color	WHITE



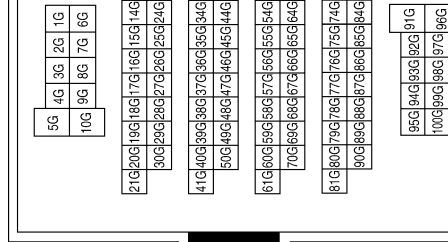
Terminal No.	Color of Wire	Signal Name
2	LA/B	--
4	LA/BR	--
6	LA/BG	--

Connector No.	B134
Connector Name	WIRE TO WIRE
Connector Color	WHITE



Terminal No.	Color of Wire	Signal Name
2	LA/B	--
4	LA/R	--
6	LA/L	--

Connector No.	B136
Connector Name	WIRE TO WIRE
Connector Color	WHITE

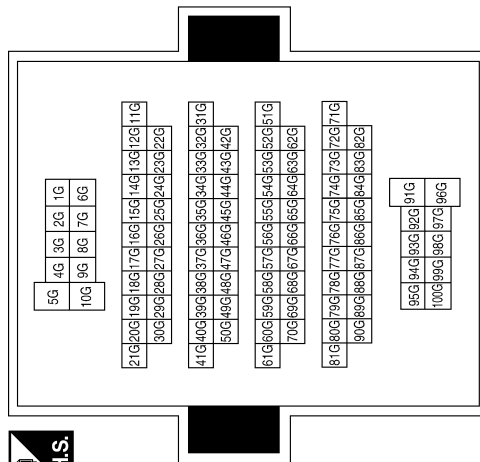


Terminal No.	Color of Wire	Signal Name
8G	LA/L	--
9G	LA/R	--

Connector No.	B202
Connector Name	WIRE TO WIRE
Connector Color	WHITE



Terminal No.	Color of Wire	Signal Name
2	B	--
4	G	--
6	W	--



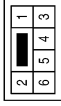
AAJIA0583GB

A
B
C
D
E
F
G
H
I
SE
K
L
M
N
O
P

HEATED SEAT SYSTEM

< WIRING DIAGRAM >

Connector No.	B300
Connector Name	WIRE TO WIRE
Connector Color	WHITE



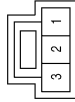
Terminal No.	Color of Wire	Signal Name
2	B	-
4	G	-
6	W	-

Connector No.	B212
Connector Name	SEAT CUSHION HEATER LH
Connector Color	WHITE



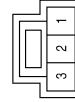
Terminal No.	Color of Wire	Signal Name
1	W	-
2	Y	-

Connector No.	B209
Connector Name	SEAT BACK HEATER LH
Connector Color	WHITE



Terminal No.	Color of Wire	Signal Name
1	G	-
2	B	-
3	Y	-

Connector No.	B306
Connector Name	SEAT BACK HEATER RH
Connector Color	WHITE



Terminal No.	Color of Wire	Signal Name
1	G	-
2	B	-
3	Y	-

Connector No.	B304
Connector Name	SEAT CUSHION HEATER RH
Connector Color	WHITE



Terminal No.	Color of Wire	Signal Name
1	W	-
2	Y	-

AAJIA0584GB

SQUEAK AND RATTLE TROUBLE DIAGNOSES

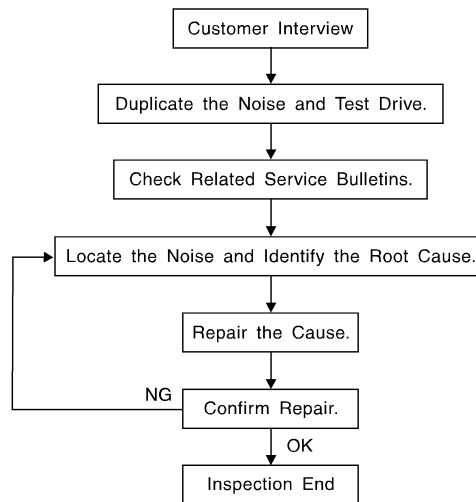
< SYMPTOM DIAGNOSIS >

SYMPTOM DIAGNOSIS

SQUEAK AND RATTLE TROUBLE DIAGNOSES

Work Flow

INFOID:0000000011280448



SBT842

CUSTOMER INTERVIEW

Interview the customer if possible, to determine the conditions that exist when the noise occurs. Use the Diagnostic Worksheet during the interview to document the facts and conditions when the noise occurs and any customer's comments; refer to [SE-27, "Diagnostic Worksheet"](#). This information is necessary to duplicate the conditions that exist when the noise occurs.

- The customer may not be able to provide a detailed description or the location of the noise. Attempt to obtain all the facts and conditions that exist when the noise occurs (or does not occur).
- If there is more than one noise in the vehicle, be sure to diagnose and repair the noise that the customer is concerned about. This can be accomplished by test driving the vehicle with the customer.
- After identifying the type of noise, isolate the noise in terms of its characteristics. The noise characteristics are provided so the customer, service adviser and technician are all speaking the same language when defining the noise.
- Squeak —(Like tennis shoes on a clean floor)
Squeak characteristics include the light contact/fast movement/brought on by road conditions/hard surfaces = higher pitch noise/softer surfaces = lower pitch noises/edge to surface = chirping.
- Creak—(Like walking on an old wooden floor)
Creak characteristics include firm contact/slow movement/twisting with a rotational movement/pitch dependent on materials/often brought on by activity.
- Rattle—(Like shaking a baby rattle)
Rattle characteristics include the fast repeated contact/vibration or similar movement/loose parts/missing clip or fastener/incorrect clearance.
- Knock —(Like a knock on a door)
Knock characteristics include hollow sounding/sometimes repeating/often brought on by driver action.
- Tick—(Like a clock second hand)
Tick characteristics include gentle contacting of light materials/loose components/can be caused by driver action or road conditions.
- Thump—(Heavy, muffled knock noise)
Thump characteristics include softer knock/dead sound often brought on by activity.
- Buzz—(Like a bumble bee)
Buzz characteristics include high frequency rattle/firm contact.
- Often the degree of acceptable noise level will vary depending upon the person. A noise that you may judge as acceptable may be very irritating to the customer.
- Weather conditions, especially humidity and temperature, may have a great effect on noise level.

DUPLICATE THE NOISE AND TEST DRIVE

SQUEAK AND RATTLE TROUBLE DIAGNOSES

< SYMPTOM DIAGNOSIS >

If possible, drive the vehicle with the customer until the noise is duplicated. Note any additional information on the Diagnostic Worksheet regarding the conditions or location of the noise. This information can be used to duplicate the same conditions when you confirm the repair.

If the noise can be duplicated easily during the test drive, to help identify the source of the noise, try to duplicate the noise with the vehicle stopped by doing one or all of the following:

- 1) Close a door.
 - 2) Tap or push/pull around the area where the noise appears to be coming from.
 - 3) Rev the engine.
 - 4) Use a floor jack to recreate vehicle "twist".
 - 5) At idle, apply engine load (electrical load, half-clutch on M/T model, drive position on CVT and A/T models).
 - 6) Raise the vehicle on a hoist and hit a tire with a rubber hammer.
- Drive the vehicle and attempt to duplicate the conditions the customer states exist when the noise occurs.
 - If it is difficult to duplicate the noise, drive the vehicle slowly on an undulating or rough road to stress the vehicle body.

CHECK RELATED SERVICE BULLETINS

After verifying the customer concern or symptom, check ASIST for Technical Service Bulletins (TSBs) related to that concern or symptom.

If a TSB relates to the symptom, follow the procedure to repair the noise.

LOCATE THE NOISE AND IDENTIFY THE ROOT CAUSE

1. Narrow down the noise to a general area. To help pinpoint the source of the noise, use a listening tool (Chassis Ear: J-39570, Engine Ear: J-39565 and mechanic's stethoscope).
2. Narrow down the noise to a more specific area and identify the cause of the noise by:
 - removing the components in the area that you suspect the noise is coming from.
Do not use too much force when removing clips and fasteners, otherwise clips and fasteners can be broken or lost during the repair, resulting in the creation of new noise.
 - tapping or pushing/pulling the component that you suspect is causing the noise.
Do not tap or push/pull the component with excessive force, otherwise the noise will be eliminated only temporarily.
 - feeling for a vibration with your hand by touching the component(s) that you suspect is (are) causing the noise.
 - placing a piece of paper between components that you suspect are causing the noise.
 - looking for loose components and contact marks.
Refer to [SE-24. "Generic Squeak and Rattle Troubleshooting"](#).

REPAIR THE CAUSE

- If the cause is a loose component, tighten the component securely.
- If the cause is insufficient clearance between components:
 - separate components by repositioning or loosening and retightening the component, if possible.
 - insulate components with a suitable insulator such as urethane pads, foam blocks, felt cloth tape or urethane tape. A NISSAN Squeak and Rattle Kit (J-50397) is available through your authorized NISSAN Parts Department.

CAUTION:

Do not use excessive force as many components are constructed of plastic and may be damaged.

NOTE:

- Always check with the Parts Department for the latest parts information.
- The materials contained in the NISSAN Squeak and Rattle Kit (J-50397) are listed on the inside cover of the kit; and can each be ordered separately as needed.
- The following materials not found in the kit can also be used to repair squeaks and rattles.
 - SILICONE GREASE: Use instead of UHMW tape that will be visible or does not fit. The silicone grease will only last a few months.
 - SILICONE SPRAY: Use when grease cannot be applied.
 - DUCT TAPE: Use to eliminate movement.

CONFIRM THE REPAIR

Confirm that the cause of a noise is repaired by test driving the vehicle. Operate the vehicle under the same conditions as when the noise originally occurred. Refer to the notes on the Diagnostic Worksheet.

Generic Squeak and Rattle Troubleshooting

INFOID:000000011280449

Refer to Table of Contents for specific component removal and installation information.

SQUEAK AND RATTLE TROUBLE DIAGNOSES

< SYMPTOM DIAGNOSIS >

INSTRUMENT PANEL

Most incidents are caused by contact and movement between:

1. Cluster lid A and the instrument panel
2. Acrylic lens and combination meter housing
3. Instrument panel to front pillar finisher
4. Instrument panel to windshield
5. Instrument panel pins
6. Wiring harnesses behind the combination meter
7. A/C defroster duct and duct joint

These incidents can usually be located by tapping or moving the components to duplicate the noise or by pressing on the components while driving to stop the noise. Most of these incidents can be repaired by applying felt cloth tape or silicone spray (in hard to reach areas). Urethane pads can be used to insulate wiring harness.

CAUTION:

Do not use silicone spray to isolate a squeak or rattle. If you saturate the area with silicone, you will not be able to recheck the repair.

CENTER CONSOLE

Components to pay attention to include:

1. Shift selector assembly cover to finisher
2. A/C control unit and cluster lid C
3. Wiring harnesses behind audio and A/C control unit

The instrument panel repair and isolation procedures also apply to the center console.

DOORS

Pay attention to the:

1. Finisher and inner panel making a slapping noise
2. Inside handle escutcheon to door finisher
3. Wiring harnesses tapping
4. Door striker out of alignment causing a popping noise on starts and stops

Tapping or moving the components or pressing on them while driving to duplicate the conditions can isolate many of these incidents. You can usually insulate the areas with felt cloth tape or insulator foam blocks from the NISSAN Squeak and Rattle Kit (J-50397) to repair the noise.

TRUNK

Trunk noises are often caused by a loose jack or loose items put into the trunk by the owner.

In addition look for:

1. Trunk lid bumpers out of adjustment
2. Trunk lid striker out of adjustment
3. The trunk lid torsion bars knocking together
4. A loose license plate or bracket

Most of these incidents can be repaired by adjusting, securing or insulating the item(s) or component(s) causing the noise.

SUNROOF/HEADLINING

Noises in the sunroof/headlining area can often be traced to one of the following:

1. Sunroof lid, rail, linkage or seals making a rattle or light knocking noise
2. Sun visor shaft shaking in the holder
3. Front or rear windshield touching headlining and squeaking

Again, pressing on the components to stop the noise while duplicating the conditions can isolate most of these incidents. Repairs usually consist of insulating with felt cloth tape.

OVERHEAD CONSOLE (FRONT AND REAR)

Overhead console noises are often caused by the console panel clips not being engaged correctly. Most of these incidents are repaired by pushing up on the console at the clip locations until the clips engage.

In addition look for:

A

B

C

D

E

F

G

H

I

SE

K

L

M

N

O

P

SQUEAK AND RATTLE TROUBLE DIAGNOSES

< SYMPTOM DIAGNOSIS >

1. Loose harness or harness connectors.
2. Front console map/reading lamp lens loose.
3. Loose screws at console attachment points.

SEATS

When isolating seat noise it's important to note the position the seat is in and the load placed on the seat when the noise is present. These conditions should be duplicated when verifying and isolating the cause of the noise.

Cause of seat noise include:

1. Headrest rods and holder
2. A squeak between the seat pad cushion and frame
3. The rear seatback lock and bracket

These noises can be isolated by moving or pressing on the suspected components while duplicating the conditions under which the noise occurs. Most of these incidents can be repaired by repositioning the component or applying urethane tape to the contact area.

UNDERHOOD

Some interior noise may be caused by components under the hood or on the engine wall. The noise is then transmitted into the passenger compartment.

Causes of transmitted underhood noise include:

1. Any component installed to the engine wall
2. Components that pass through the engine wall
3. Engine wall mounts and connectors
4. Loose radiator installation pins
5. Hood bumpers out of adjustment
6. Hood striker out of adjustment

These noises can be difficult to isolate since they cannot be reached from the interior of the vehicle. The best method is to secure, move or insulate one component at a time and test drive the vehicle. Also, engine rpm or load can be changed to isolate the noise. Repairs can usually be made by moving, adjusting, securing, or insulating the component causing the noise.

SQUEAK AND RATTLE TROUBLE DIAGNOSES

< SYMPTOM DIAGNOSIS >

Diagnostic Worksheet

INFOID:000000011280450

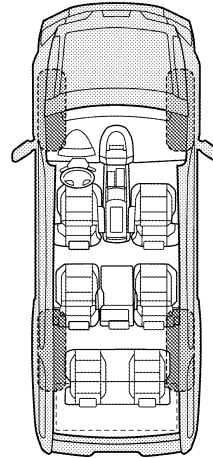
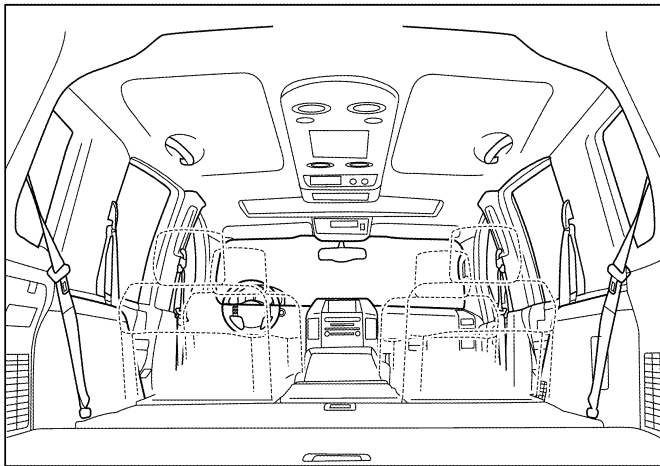
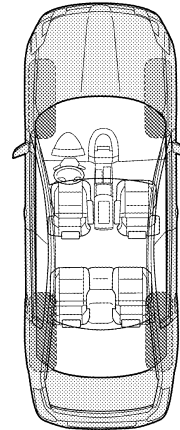
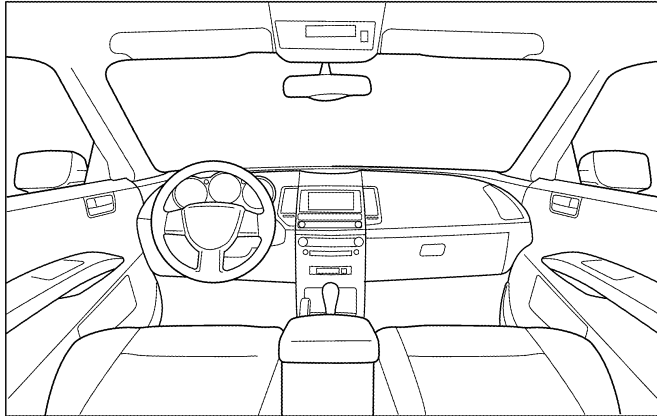
Dear Customer:

We are concerned about your satisfaction with your vehicle. Repairing a squeak or rattle sometimes can be very difficult. To help us fix your vehicle right the first time, please take a moment to note the area of the vehicle where the squeak or rattle occurs and under what conditions. You may be asked to take a test drive with a service advisor or technician to ensure we confirm the noise you are hearing.

SQUEAK & RATTLE DIAGNOSTIC WORKSHEET

I. WHERE DOES THE NOISE COME FROM? (circle the area of the vehicle)

The illustrations are for reference only, and may not reflect the actual configuration of your vehicle.



Continue to page 2 of the worksheet and briefly describe the location of the noise or rattle. In addition, please indicate the conditions which are present when the noise occurs.

A
B
C
D
E
F
G
H
I
SE
K
L
M
N
O
P

SQUEAK AND RATTLE TROUBLE DIAGNOSES

< SYMPTOM DIAGNOSIS >

SQUEAK & RATTLE DIAGNOSTIC WORKSHEET - page 2

Briefly describe the location where the noise occurs:

II. WHEN DOES IT OCCUR? (please check the boxes that apply)

- | | |
|---|--|
| <input type="checkbox"/> Anytime | <input type="checkbox"/> After sitting out in the rain |
| <input type="checkbox"/> 1st time in the morning | <input type="checkbox"/> When it is raining or wet |
| <input type="checkbox"/> Only when it is cold outside | <input type="checkbox"/> Dry or dusty conditions |
| <input type="checkbox"/> Only when it is hot outside | <input type="checkbox"/> Other: |

III. WHEN DRIVING:

- Through driveways
- Over rough roads
- Over speed bumps
- Only about ____ mph
- On acceleration
- Coming to a stop
- On turns: left, right or either (circle)
- With passengers or cargo
- Other: _____
- After driving ____ miles or ____ minutes

IV. WHAT TYPE OF NOISE

- Squeak (like tennis shoes on a clean floor)
- Creak (like walking on an old wooden floor)
- Rattle (like shaking a baby rattle)
- Knock (like a knock at the door)
- Tick (like a clock second hand)
- Thump (heavy muffled knock noise)
- Buzz (like a bumble bee)

TO BE COMPLETED BY DEALERSHIP PERSONNEL

Test Drive Notes:

	YES	NO	Initials of person performing
Vehicle test driven with customer	<input type="checkbox"/>	<input type="checkbox"/>	_____
- Noise verified on test drive	<input type="checkbox"/>	<input type="checkbox"/>	_____
- Noise source located and repaired	<input type="checkbox"/>	<input type="checkbox"/>	_____
- Follow up test drive performed to confirm repair	<input type="checkbox"/>	<input type="checkbox"/>	_____

VIN: _____ Customer Name _____

W.O.# _____ Date: _____

This form must be attached to Work Order

LATA0071E

FRONT SEAT

< REMOVAL AND INSTALLATION >

REMOVAL AND INSTALLATION

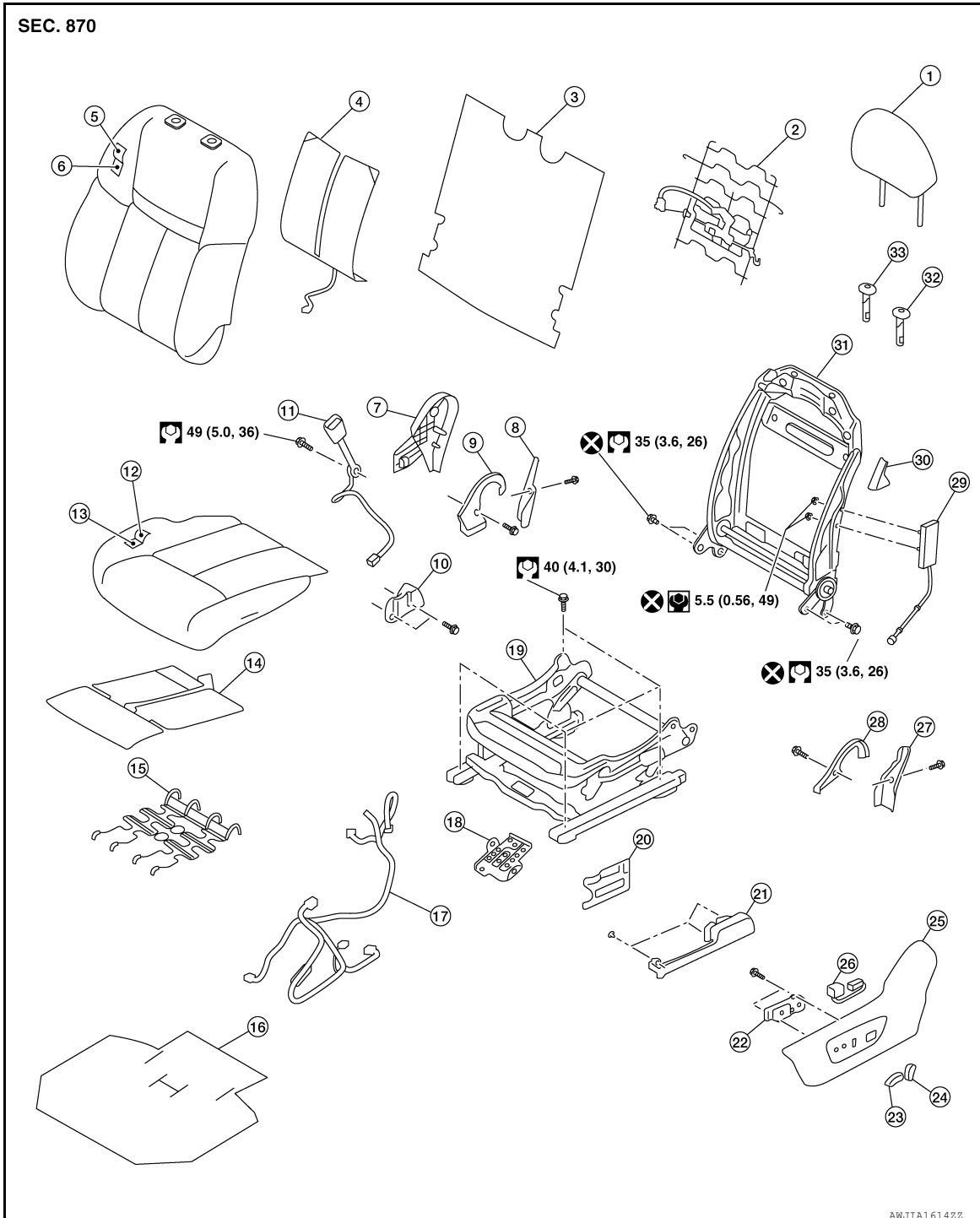
FRONT SEAT

DRIVER SIDE

DRIVER SIDE : Exploded View

INFOID:000000011280451

POWER SEAT



- | | | |
|----------------------------------|---------------------|-------------------|
| 1. Headrest | 2. Seatback support | 3. Seatback board |
| 4. Seatback heater (if equipped) | 5. Seatback trim | 6. Seatback pad |

A
B
C
D
E
F
G
H
I
SE
K
L
M
N
O
P

FRONT SEAT

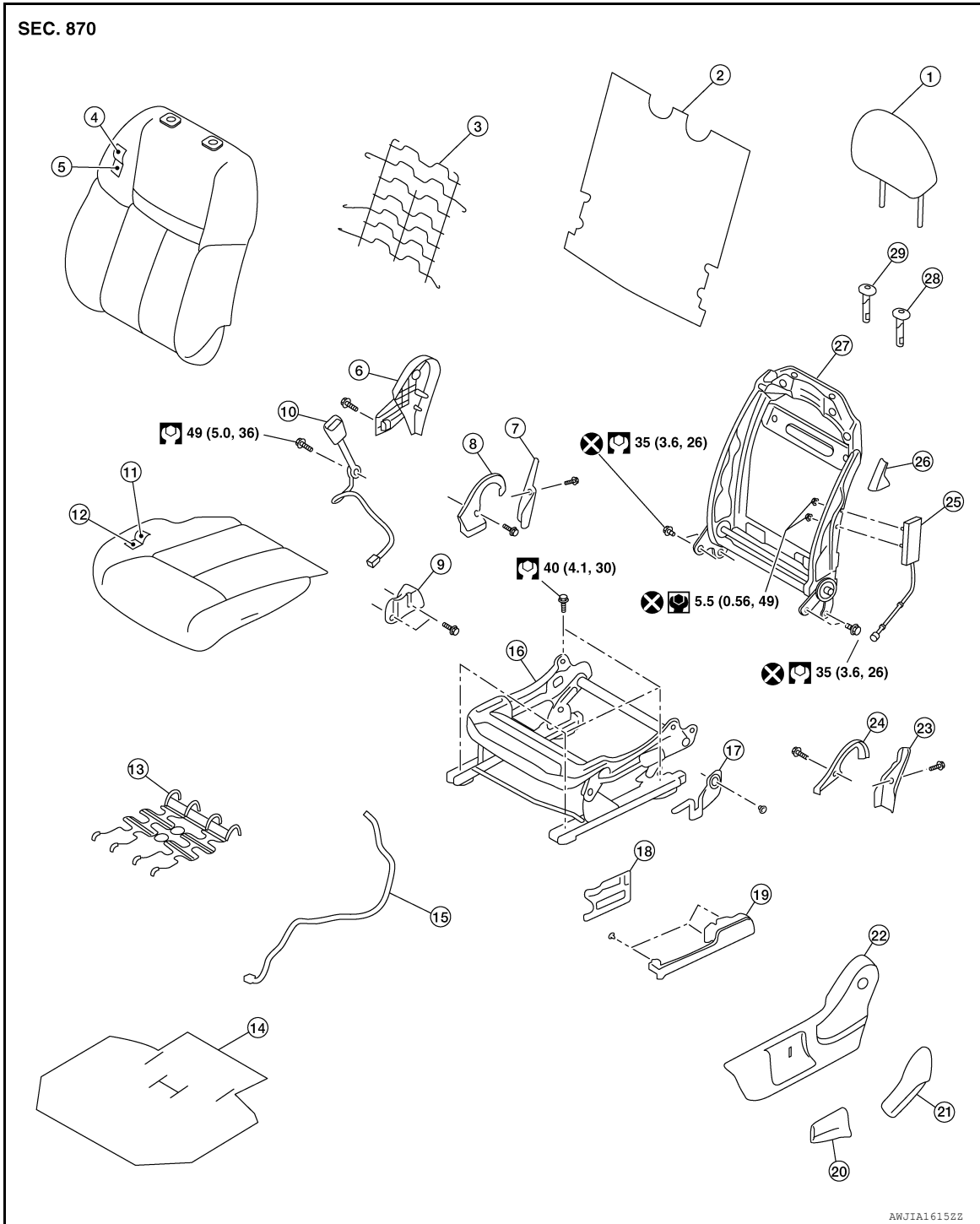
< REMOVAL AND INSTALLATION >

- | | | |
|--------------------------------------|---|-------------------------------------|
| 7. Seat cushion outer finisher (RH) | 8. Seat cushion rear finisher (RH) | 9. Seat cushion inner finisher (RH) |
| 10. Seat slide finisher (RH) | 11. Seat belt buckle | 12. Seat cushion trim |
| 13. Seat cushion pad | 14. Seat cushion heater (if equipped) | 15. Seat cushion support |
| 16. Seat cushion silencer | 17. Seat harness | 18. Seat harness bracket |
| 19. Seat cushion frame | 20. Seat slide finisher bracket (LH) | 21. Seat slide finisher (LH) |
| 22. Power seat switch | 23. Seat slide knob | 24. Seat recline knob |
| 25. Seat cushion outer finisher (LH) | 26. Lumbar support switch | 27. Seat cushion rear finisher (LH) |
| 28. Seat cushion inner finisher (LH) | 29. Side air bag module (not serviceable) | 30. Seatback bracket |
| 31. Seatback frame | 32. Headrest holder (locked) | 33. Headrest holder (free) |

FRONT SEAT

< REMOVAL AND INSTALLATION >

MANUAL SEAT



- | | | |
|--------------------------------------|-------------------------------------|--------------------------------------|
| 1. Headrest | 2. Seatback board | 3. Seatback support |
| 4. Seatback trim | 5. Seatback pad | 6. Seat cushion outer finisher |
| 7. Seat cushion rear finisher (RH) | 8. Seat cushion inner finisher (RH) | 9. Seat slide finisher (RH) |
| 10. Seat belt buckle | 11. Seat cushion trim | 12. Seat cushion pad |
| 13. Seat cushion support | 14. Seat cushion silencer | 15. Seat harness |
| 16. Seat cushion frame | 17. Recline switch | 18. Seat slide finisher bracket (LH) |
| 19. Seat slide finisher (LH) | 20. Lift lever | 21. Recline lever |
| 22. Seat cushion outer finisher (LH) | 23. Seat cushion rear finisher (LH) | 24. Seat cushion inner finisher (LH) |

A
B
C
D
E
F
G
H
I
SE
K
L
M
N

FRONT SEAT

< REMOVAL AND INSTALLATION >

- | | | |
|--|----------------------------|--------------------|
| 25. Side air bag module (not service-able) | 26. Seatback bracket | 27. Seatback frame |
| 28. Headrest holder (locked) | 29. Headrest holder (free) | |

DRIVER SIDE : Removal and Installation

INFOID:0000000011280452

REMOVAL

WARNING:

Do not leave any objects (screwdrivers, tools, etc.) on the seat during seatback repair. It can lead to personal injury if the side air bag module should accidentally deploy.

CAUTION:

- When removing or installing the seat trim, handle it carefully to keep dirt out and to avoid damage.
- When checking the power seat circuit for continuity using a circuit tester, do not confuse its connector with the side air bag module connector. Such an error may cause the air bag module to deploy.
- Do not drop, tilt, or bump the side air bag module while installing the seat. Always handle it with care.
- After front side air bag module inflates, the front seatback assembly must be replaced.
- When removing and installing the seat, use shop cloths to protect components from damage.
- Before removing the front seat, turn the ignition switch OFF, disconnect both battery cables then wait at least three minutes.

1. Slide the seat to the full rearward position.
2. Disconnect negative and positive battery terminals, then wait at least three minutes. Refer to [PG-80, "Removal and Installation"](#).
3. Disconnect harness connector from side air bag module.
4. Remove front bolts.
5. Connect negative and positive battery terminals, then slide the seat to the full forward position. Refer to [PG-80, "Removal and Installation"](#) (power seat only).
6. Slide the seat to the full forward position.
7. Disconnect negative and positive battery terminals, then wait at least three minutes. Refer to [PG-80, "Removal and Installation"](#) (power seat only).
8. Remove rear bolts.
9. Tilt the seat rearward and disconnect the harness connectors from the seat.

NOTE:

Take note of harness routing and attachment locations for correct installation.

10. Remove the seat from the vehicle.

INSTALLATION

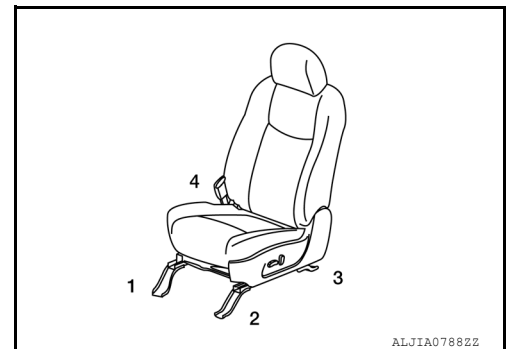
Installation is in the reverse order of removal.

CAUTION:

Make sure that the seat harness or the floor carpet is not damaged during installation.

NOTE:

- When installing the front seat (LH), tighten the bolts in the order shown.
- Tighten the seat bolts to specification. Refer to [SE-29, "DRIVER SIDE : Exploded View"](#).



PASSENGER SIDE

FRONT SEAT

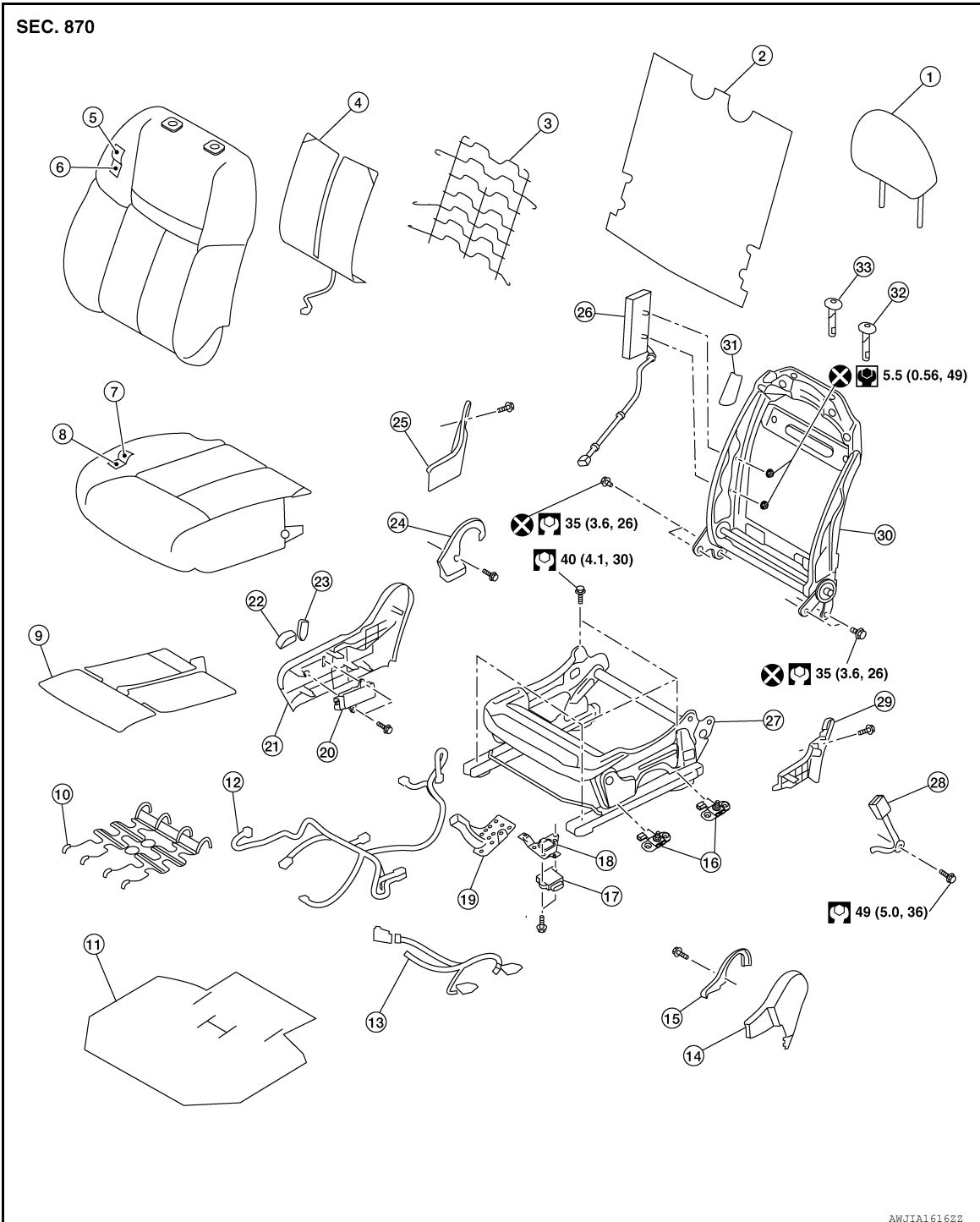
< REMOVAL AND INSTALLATION >

PASSENGER SIDE : Exploded View

INFOID:000000011280453

A
B
C
D
E
F
G
H
I
SE
K
L
M
N
O
P

POWER SEAT



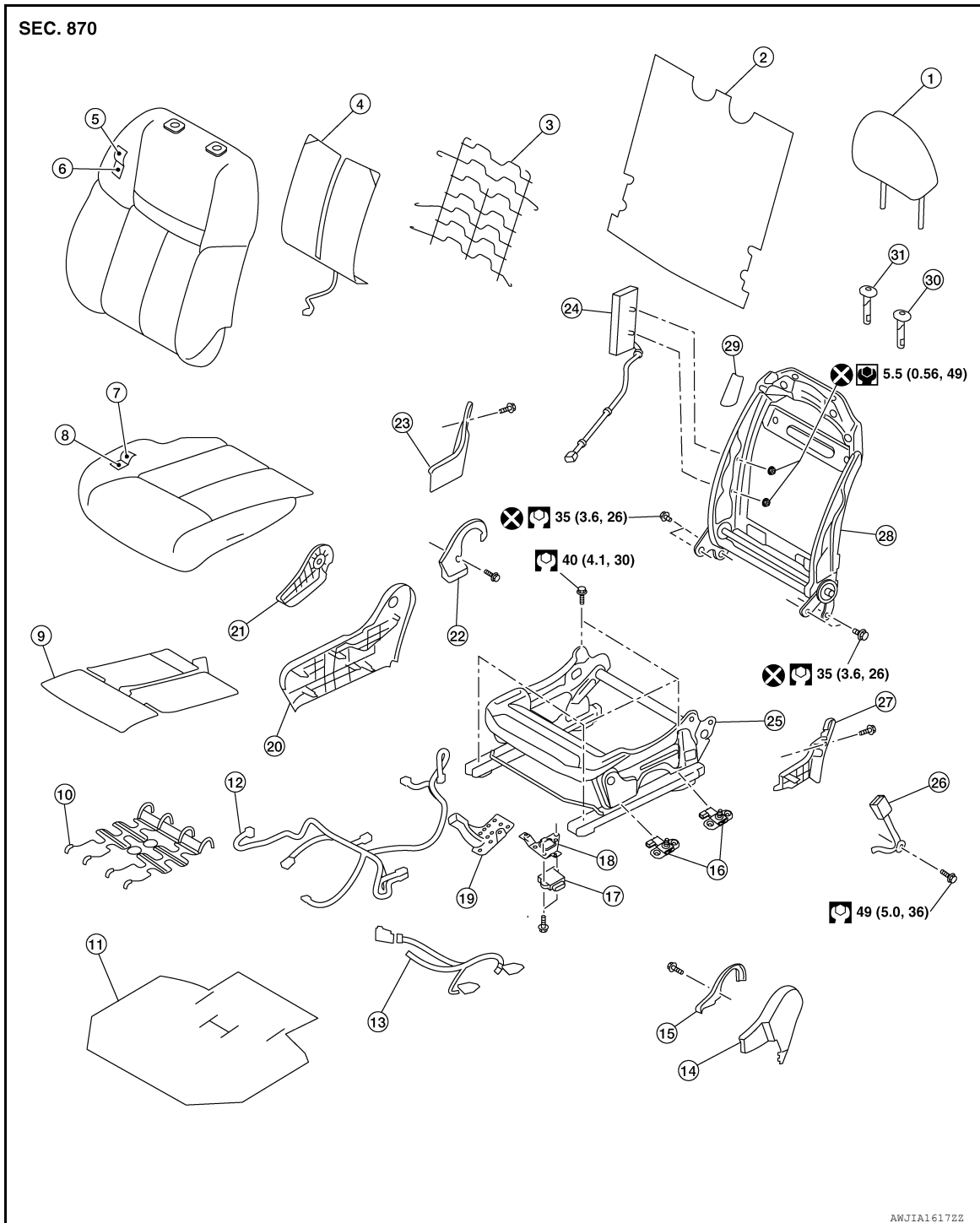
- | | | |
|--|--------------------------------------|--------------------------------------|
| 1. Headrest | 2. Seatback board | 3. Seatback support |
| 4. Seatback heater | 5. Seat cushion trim | 6. Seat cushion pad |
| 7. Seat cushion trim | 8. Seat cushion pad | 9. Seat cushion heater |
| 10. Seat cushion support | 11. Seat cushion silencer | 12. Seat harness |
| 13. Occupant classification system harness | 14. Seat cushion outer finisher (LH) | 15. Seat cushion inner finisher (LH) |

FRONT SEAT

< REMOVAL AND INSTALLATION >

- | | | |
|---|---|--|
| 16. Occupant classification system sensor | 17. Occupant classification system control unit | 18. Occupant classification system bracket |
| 19. Wiring harness bracket | 20. Power seat switch | 21. Seat cushion outer finisher (RH) |
| 22. Seat slide knob | 23. Seat recline knob | 24. Seat cushion inner finisher (RH) |
| 25. Seat cushion rear finisher (RH) | 26. Side air bag module (not serviceable) | 27. Seat cushion frame |
| 28. Seat belt buckle | 29. Seat cushion rear finisher (LH) | 30. Seatback frame |
| 31. Seatback bracket | 32. Headrest holder (locked) | 33. Headrest holder (free) |

MANUAL SEAT



FRONT SEAT

< REMOVAL AND INSTALLATION >

- | | | | |
|--|---|---|---|
| 1. Headrest | 2. Seatback board | 3. Seatback support | A |
| 4. Seatback heater (if equipped) | 5. Seatback trim | 6. Seatback pad | |
| 7. Seat cushion trim | 8. Seat cushion pad | 9. Seat cushion heater (if equipped) | B |
| 10. Seat cushion support | 11. Seat cushion silencer | 12. Seat harness | |
| 13. Occupant classification system harness | 14. Seat cushion outer finisher (LH) | 15. Seat cushion inner finisher (LH) | C |
| 16. Occupant classification system sensor | 17. Occupant classification system control unit | 18. Occupant classification system control unit bracket | |
| 19. Wiring harness bracket | 20. Seat cushion outer finisher | 21. Recline lever | D |
| 22. Seat cushion inner finisher (RH) | 23. Seat cushion rear finisher (RH) | 24. Side air bag module (not serviceable) | |
| 25. Seat cushion frame | 26. Seat belt buckle | 27. Seat cushion rear finisher (LH) | E |
| 28. Seatback frame | 29. Seatback bracket | 30. Headrest holder (free) | |
| 31. Headrest holder (locking) | | | |

PASSENGER SIDE : Removal and Installation

INFOID:000000011280454

REMOVAL

WARNING:

Do not leave any objects (screwdrivers, tools, etc.) on the seat during seatback repair. It can lead to personal injury if the side air bag module should accidentally deploy.

CAUTION:

- When removing or installing the seat trim, handle it carefully to keep dirt out and to avoid damage.
- When checking the power seat circuit for continuity using a circuit tester, do not confuse its connector with the side air bag module connector. Such an error may cause the air bag module to deploy.
- Do not drop, tilt, or bump the side air bag module while installing the seat. Always handle it with care.
- After front side air bag module inflates, the front seatback assembly must be replaced.
- When removing and installing the seat, use shop cloths to protect components from damage.
- Before removing the front seat, turn the ignition switch OFF, disconnect both battery cables then wait at least three minutes.

1. Slide the seat to the full rearward position.
2. Disconnect negative and positive battery terminals, then wait at least three minutes. Refer to [PG-80, "Removal and Installation"](#).
3. Disconnect harness connector from side air bag module.
4. Remove front bolts.
5. Connect negative and positive battery terminals, then slide the seat to the full forward position. Refer to [PG-80, "Removal and Installation"](#) (power seat only).
6. Slide the seat to the full forward position.
7. Disconnect negative and positive battery terminals, then wait at least three minutes. Refer to [PG-80, "Removal and Installation"](#) (power seat only).
8. Remove rear bolts.
9. Tilt the seat rearward and disconnect the harness connectors from the seat.

NOTE:

Take note of harness routing and attachment locations for correct installation.

10. Remove the seat from the vehicle.

INSTALLATION

Installation is in the reverse order of removal.

WARNING:

- Perform additional services when installing front passenger seat. Refer to [SRC-41, "ADDITIONAL SERVICE WHEN REPLACING CONTROL UNIT : Description"](#).
- Zero point reset must be performed every time the front passenger seat is removed from the vehicle.
- Zero point reset is done after the front passenger seat is installed in vehicle and all bolts are tightened to specification.

FRONT SEAT

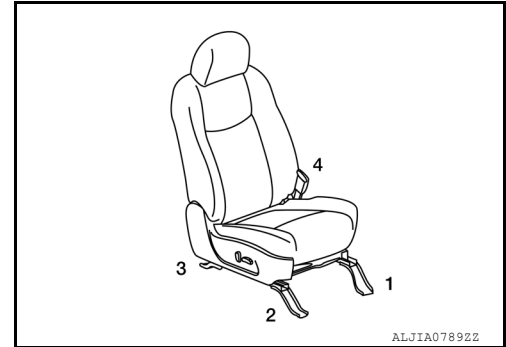
< REMOVAL AND INSTALLATION >

CAUTION:

Make sure that the seat harness or the floor carpet is not damaged during installation.

NOTE:

- When installing the front seat (RH), tighten the bolts in the order shown.
- Tighten the seat bolts to specification. Refer to [SE-33, "PASSENGER SIDE : Exploded View"](#).



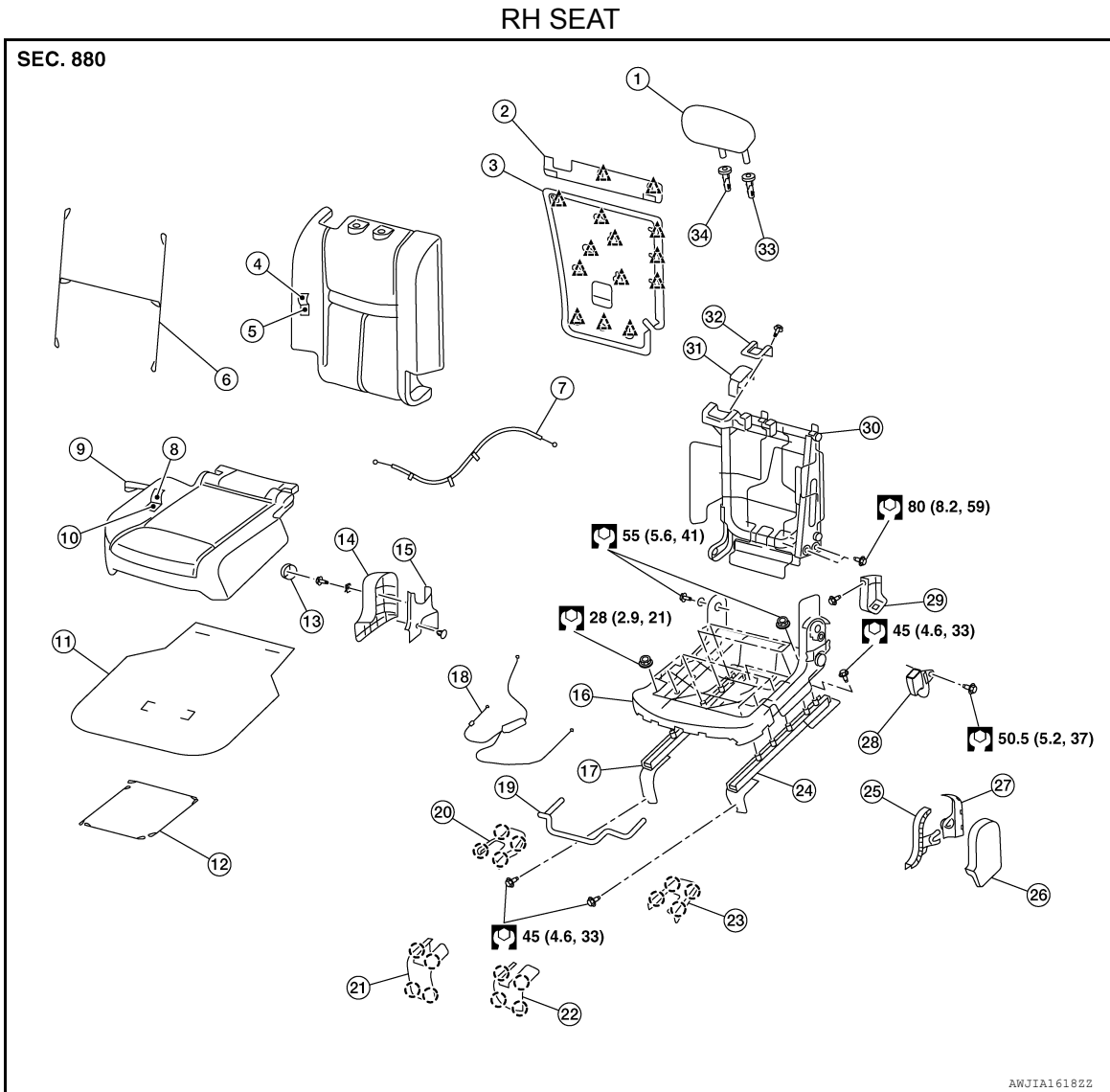
SECOND ROW SEATS

< REMOVAL AND INSTALLATION >

SECOND ROW SEATS

Exploded View

INFOID:000000011280455

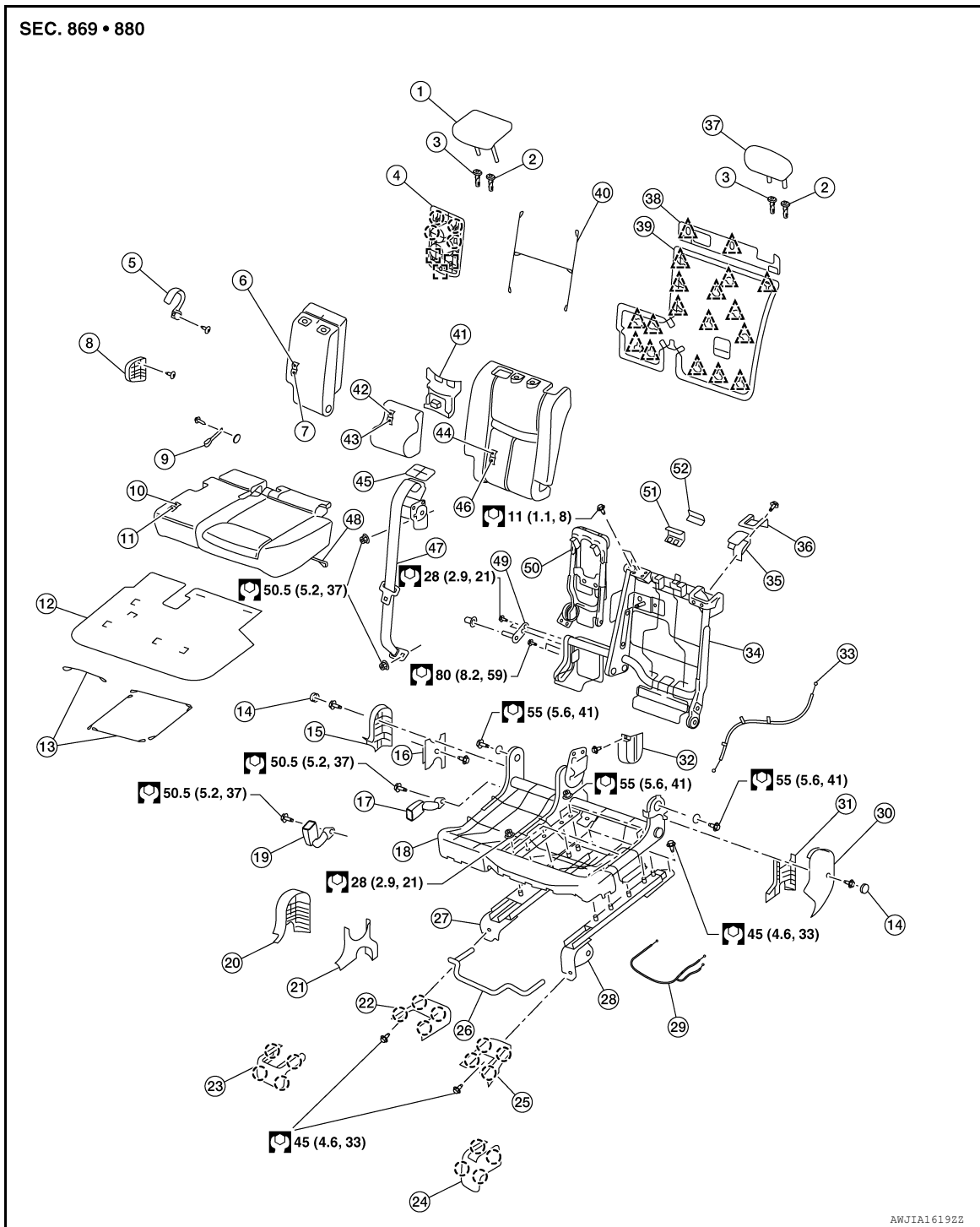


- | | | |
|--------------------------------------|--|--------------------------------------|
| 1. Headrest | 2. Seatback upper luggage board | 3. Seatback luggage board |
| 4. Seatback trim | 5. Seatback pad | 6. Seatback pad wire |
| 7. Recline release cable | 8. Seat cushion trim | 9. Fold flat strap |
| 10. Seat cushion pad | 11. Seat cushion silencer | 12. Seat cushion pad wire |
| 13. Bolt cover | 14. Seat cushion outer finisher (RH) | 15. Seat cushion inner finisher (RH) |
| 16. Seat cushion frame | 17. Seat cushion frame | 18. Seat cushion slide (RH) |
| 19. Seat cushion slide cable | 20. Rear bolt cover (RH) (with third row seat) | 21. Front bolt cover (RH) |
| 22. Front bolt cover (LH) | 23. Rear bolt cover (LH) (with third row seat) | 24. Seat cushion slide (LH) |
| 25. Seat cushion inner finisher (LH) | 26. Seat cushion outer finisher (LH) | 27. Seat cushion rear finisher (LH) |
| 28. Seat belt buckle | 29. Recline lever finisher | 30. Seatback frame |
| 31. Recline device | 32. Recline device cover | 33. Headrest holder (locked) |
| 34. Headrest holder (free) | △ Clip | ○ Pawl |

SECOND ROW SEATS

< REMOVAL AND INSTALLATION >

LH SEAT



AWJIA16192Z

- | | | |
|--|---------------------------------------|---------------------------------------|
| 1. Headrest (center) | 2. Headrest holder (locked) | 3. Headrest holder (free) |
| 4. Cup holder | 5. Armrest inner finisher | 6. Armrest trim |
| 7. Armrest pad | 8. Armrest outer finisher | 9. Armrest fold flat strap |
| 10. Seat cushion trim | 11. Seat cushion pad | 12. Seat cushion silencer |
| 13. Seat cushion pad wire | 14. Bolt cover | 15. Seat cushion outer finisher (RH) |
| 16. Seat cushion inner finisher (RH) | 17. Seat belt buckle (center) | 18. Seat cushion frame |
| 19. Seat belt buckle (LH) | 20. Seat cushion center finisher (RH) | 21. Seat cushion center finisher (LH) |
| 22. Rear bolt cover (RH) (with third row seat) | 23. Front bolt cover (RH) | 24. Front bolt cover (LH) |
| 25. Rear bolt cover (LH) (with third row seat) | 26. Seat slide control lever | 27. Seat cushion slide (RH) |

SECOND ROW SEATS

< REMOVAL AND INSTALLATION >

28. Seat cushion slide (LH)	29. Seat cushion slide cable	30. Seat cushion outer finisher (LH)
31. Seat cushion inner finisher (LH)	32. Armrest inner finisher	33. Recline release cable
34. Seatback frame	35. Recline device	36. Recline device finisher
37. Headrest (LH)	38. Seatback luggage upper board	39. Seatback luggage board
40. Seatback pad wire	41. Armrest lower pad	42. Seatback center trim
43. Seatback center pad	44. Seatback trim	45. Seat belt retractor finisher
46. Seatback pad	47. Seat belt retractor (center)	48. Fold flat strap
49. Armrest bracket	50. Armrest frame	51. Seat belt retractor inner finisher
52. Seat belt retractor outer finisher	△ Clip	○ Pawl

Removal and Installation

INFOID:000000011280456

LH SEAT

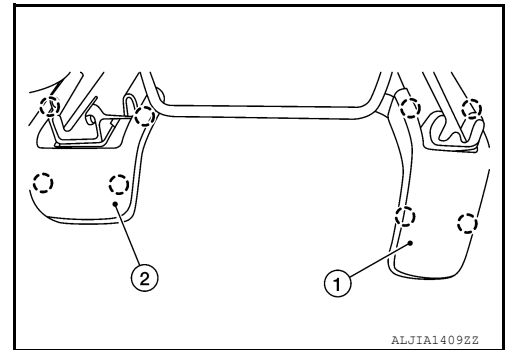
CAUTION:

During removal and installation, an assistant is required to protect against injury or damage.

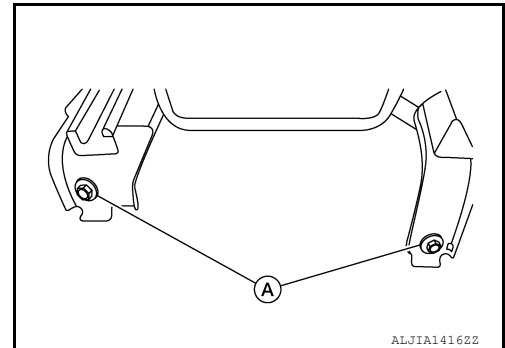
Removal

1. Remove the headrests.
2. Using a suitable tool release pawls and remove front bolt covers RH (2) and LH (1).

○:Pawl

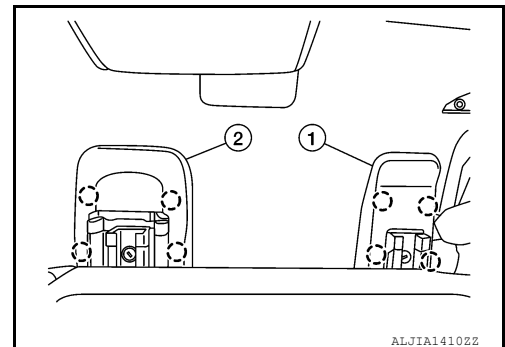


3. Remove the seat front bolts (A).



4. Slide the seat to the full forward position.
5. Using a suitable tool release pawls and remove rear bolt covers RH (2) and LH (1) (with third row seat).

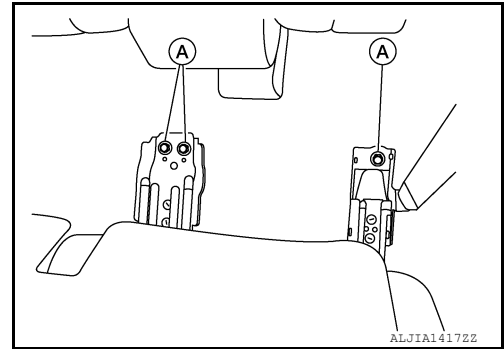
○:Pawl



SECOND ROW SEATS

< REMOVAL AND INSTALLATION >

6. Remove the seat rear bolts (A).



7. Fold the seatback to the flat position, then remove the seat from the vehicle.

INSTALLATION

Installation is in the reverse order of removal.

RH SEAT

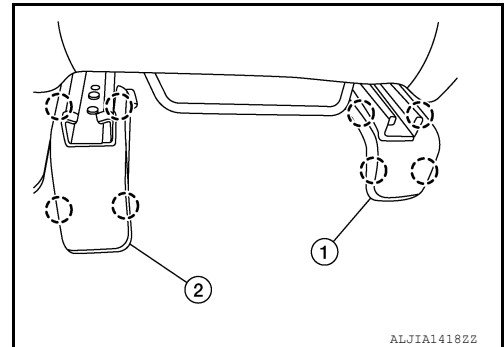
CAUTION:

During removal and installation, an assistant is required to protect against injury or damage.

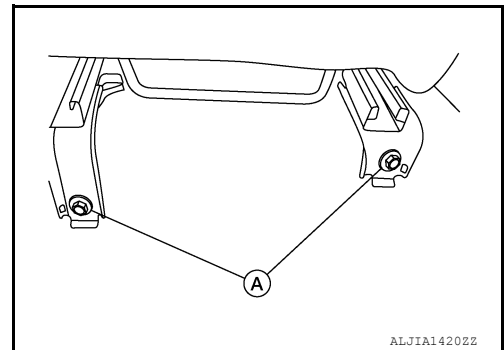
Removal

1. Remove the headrest.
2. Using a suitable tool release pawls and remove front bolt covers LH (1) and RH (2).

○:Pawl

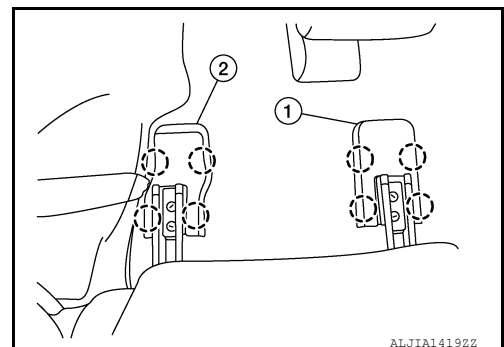


3. Remove the seat front bolts (A).



4. Slide the seat to the full forward position.
5. Using a suitable tool release pawls and remove rear bolt covers RH (2) and LH (1) (with third row seat).

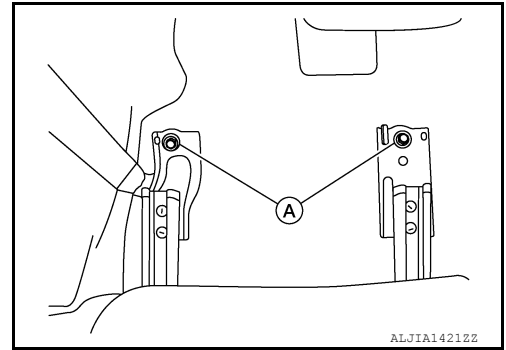
○:Pawl



SECOND ROW SEATS

< REMOVAL AND INSTALLATION >

6. Remove the seat rear bolts (A).



7. Fold the seatback to the flat position, then remove the seat from the vehicle.

INSTALLATION

Installation is in the reverse order of removal.

A
B
C
D
E
F
G
H
I
K
L
M
N
O
P

SE

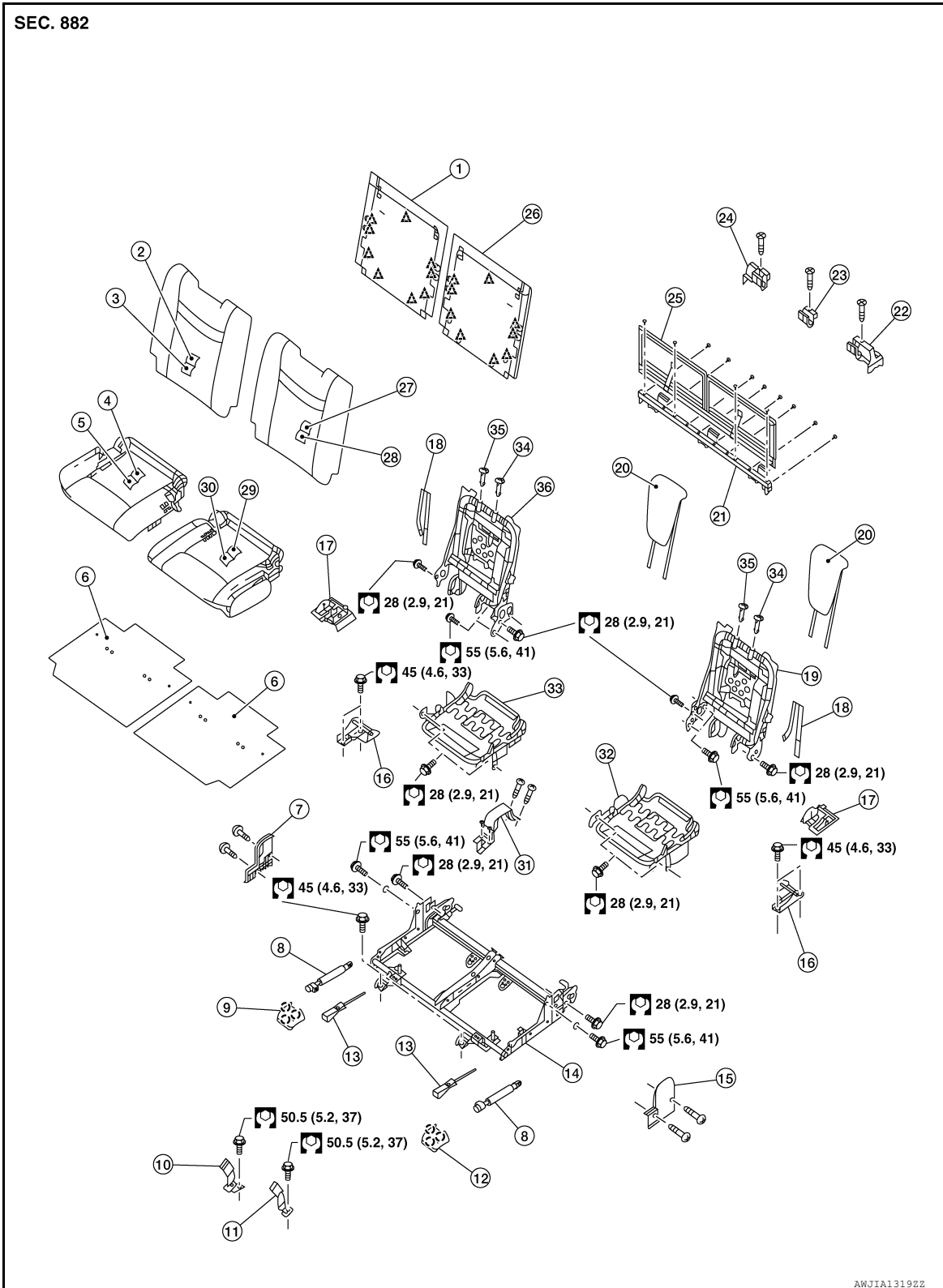
THIRD ROW SEATS

< REMOVAL AND INSTALLATION >

THIRD ROW SEATS

Exploded View



INFOID:000000011280457



- | | | |
|-----------------------------|--------------------------|----------------------------------|
| 1. Seatback board (RH) | 2. Seatback trim (RH) | 3. Seatback pad (RH) |
| 4. Seat cushion trim (RH) | 5. Seat cushion pad (RH) | 6. Seat cushion silencer (LH/RH) |
| 7. Seat hinge finisher (RH) | 8. Gas stay | 9. Bolt cover (RH) |

THIRD ROW SEATS

< REMOVAL AND INSTALLATION >

- | | | |
|---|---|---|
| 10. Seat belt buckle (RH) | 11. Seat belt buckle (LH) | 12. Bolt cover (LH) |
| 13. Stopper pin | 14. Seat frame support | 15. Seat hinge finisher (LH) |
| 16. Seat striker (LH/RH) | 17. Seat striker finisher (LH/RH) | 18. Seatback pull strap (LH/RH) |
| 19. Seatback frame (LH) | 20. Headrest (LH/RH) | 21. Third row seat cross member |
| 22. Third row seat cross member finisher (LH) | 23. Third row seat cross member finisher (center) | 24. Third row seat cross member finisher (RH) |
| 25. Third row luggage floor | 26. Seatback board (LH) | 27. Seatback trim (LH) |
| 28. Seatback pad (LH) | 29. Seat cushion trim (LH) | 30. Seat cushion pad (LH) |
| 31. Seat frame finisher (center) | 32. Seat cushion frame (LH) | 33. Seat cushion frame (RH)) |
| 34. Headrest holder (locked) | 35. Headrest holder (free) | 36. Seatback frame (RH) |
-  Clip
  Pawl

Removal and Installation

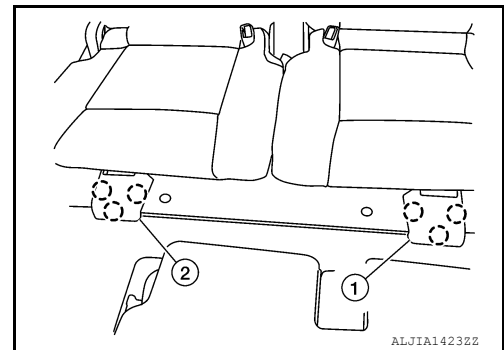
INFOID:000000011280458

CAUTION:

During removal and installation, an assistant is required to protect against injury or damage.

REMOVAL

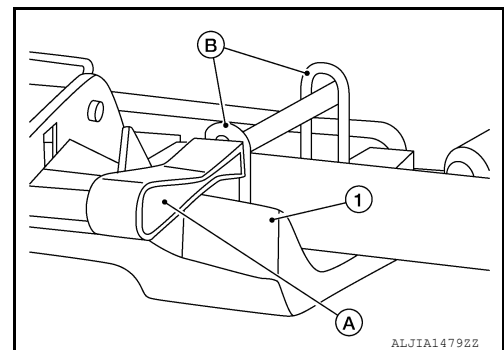
- Using a suitable tool release pawls and remove front bolt covers RH (2) and LH (1).



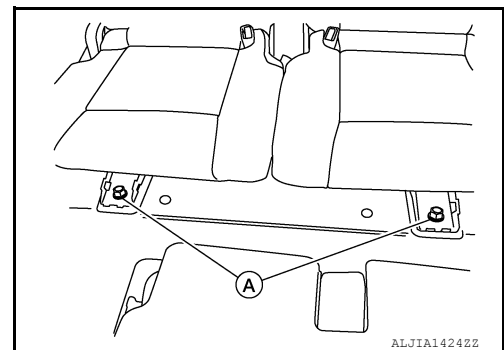
- Insert a suitable tool (A) through both U wires (B) of third row seat legs (1) (LH/RH).

WARNING:

Do not remove seat front bolts without inserting a suitable tool through both U wires to protect against personal injury.



- Remove the seat front bolts (A).

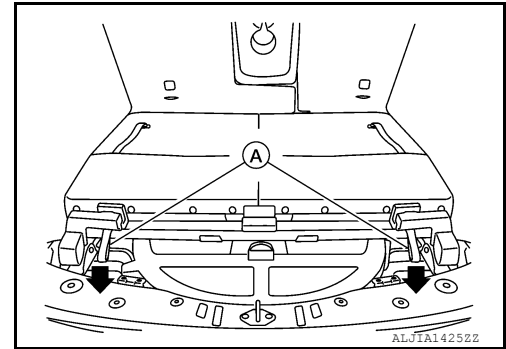


- Fold the seatback to the flat position and open back door.

THIRD ROW SEATS

< REMOVAL AND INSTALLATION >

5. Release seat latches by pulling straps (A) rearward, then lift seat from seat strikers (LH/RH) and remove.



INSTALLATION

Installation is in the reverse order of removal.

WARNING:

Do not remove suitable tool from U wires before installing seat front bolts or personal injury may occur.

NOTE:

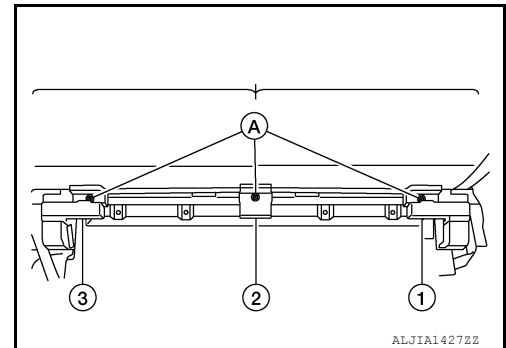
1. Two people are required to position the seat so the seat latches are over the seat striker locations.
2. Place rear seat legs on strikers, make sure to latch.
3. Check that the rear seat latch and striker do not interfere, then tighten bolts to specification. Refer to [SE-42. "Exploded View"](#).

Third Row Seat Cross Member

INFOID:000000011280459

REMOVAL

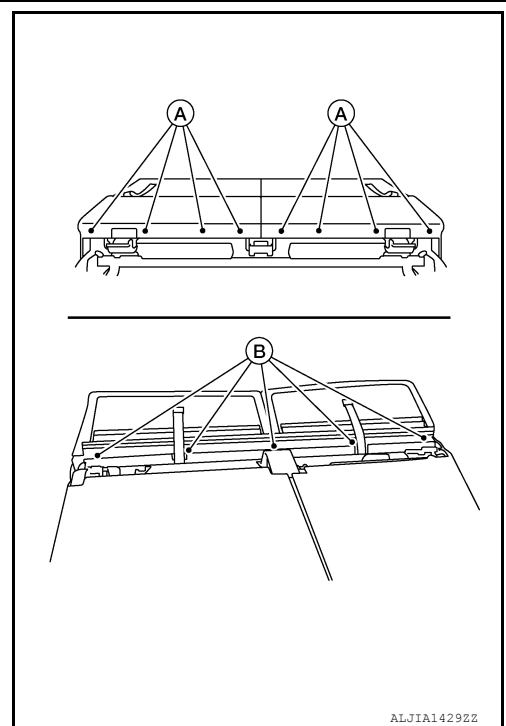
1. Remove the third row seat. Refer to [SE-43. "Removal and Installation"](#).
2. Remove screws (A) and third row seat cross member finishers (1, 2, 3).



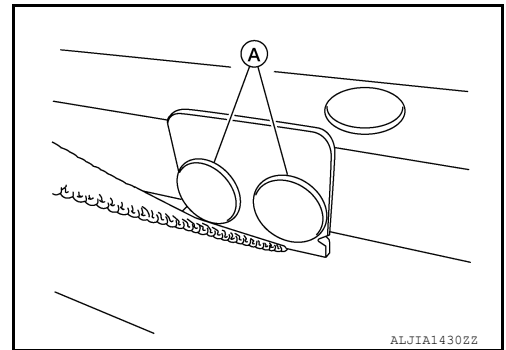
THIRD ROW SEATS

< REMOVAL AND INSTALLATION >

3. Release third row luggage board outer clips (A) and inner clips (B) using a suitable tool.



4. Release third row luggage board retainer strap clips (A) (LH/RH) using a suitable tool and remove third row luggage board.



5. Remove bolts and remove third row seat cross member.

INSTALLATION

Installation is in the reverse order of removal.

NOTE:

- Tighten the third row seat cross member to specification. Refer to [SE-82. "Exploded View"](#).

A
B
C
D
E
F
G
H
I
SE
K
L
M
N
O
P

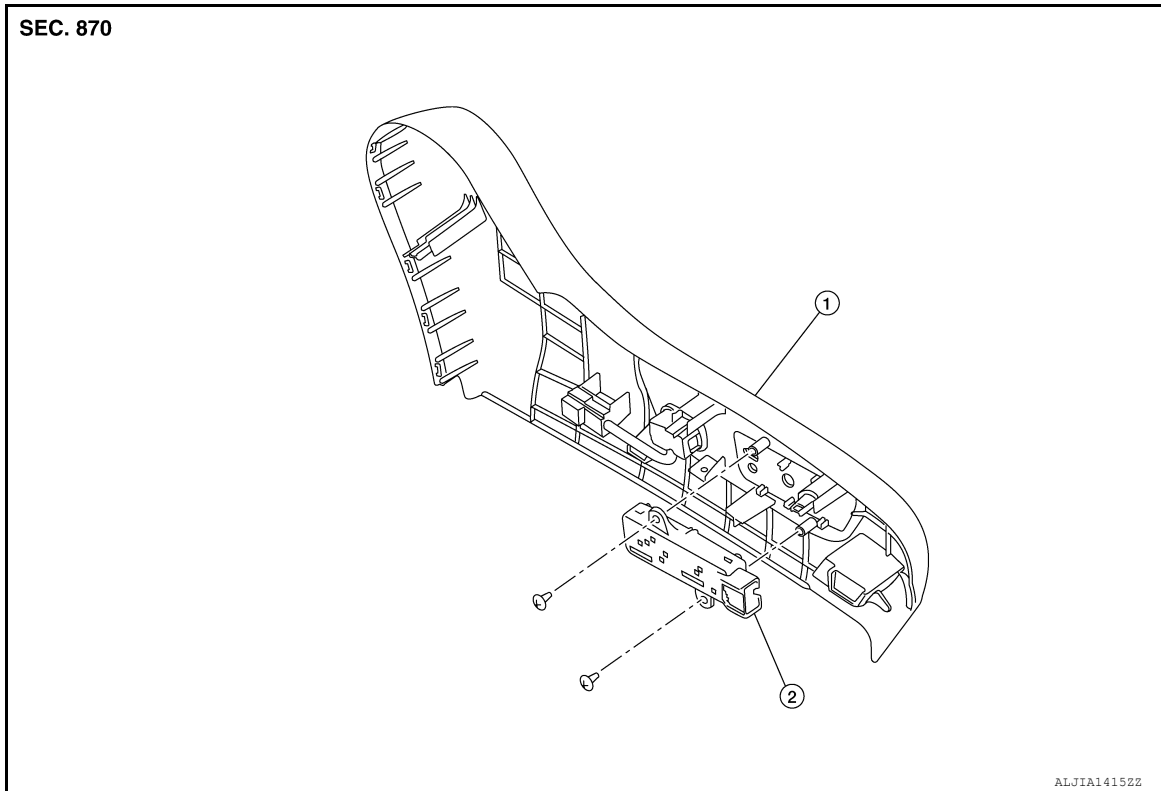
POWER SEAT SWITCH

< REMOVAL AND INSTALLATION >

POWER SEAT SWITCH

Exploded View

INFOID:000000011280460



1. Seat cushion outer finisher
2. Power seat switch

Removal and Installation

INFOID:000000011280461

REMOVAL

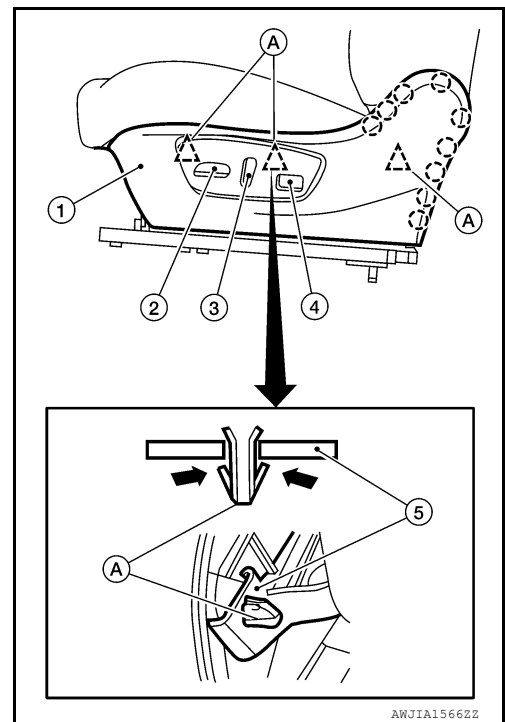
NOTE:

LH shown, RH similar.

POWER SEAT SWITCH

< REMOVAL AND INSTALLATION >

1. Remove the seat cushion outer finisher (1).
- a. Remove seat slide knob (2), seat recline knob (3) and seat lumbar knob (4), then release metal clips (A) from seat frame (5), as shown (←).
- △: Clip
- b. Release pawls and remove.
- : Pawl



2. Disconnect harness connector from power seat switch.
3. Remove screws and power seat switch.

INSTALLATION

Installation is in the reverse order of removal.

CAUTION:

- Visually check the clips for deformation and damage during installation. Replace with new ones if necessary.
- When installing seat cushion outer finisher, check that clips are securely placed into seat cushion frame holes.

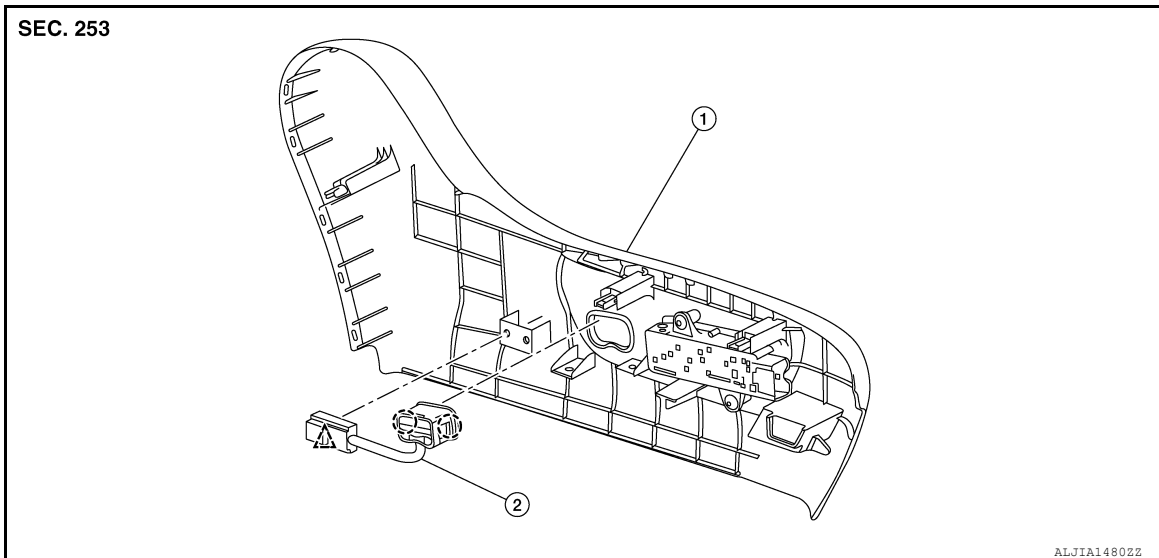
LUMBAR SUPPORT SWITCH

< REMOVAL AND INSTALLATION >

LUMBAR SUPPORT SWITCH

Exploded View

INFOID:000000011280462



1. Seat cushion outer finisher 2. Lumbar support switch

△ Clip

○ Pawl

Removal and Installation

INFOID:000000011280463

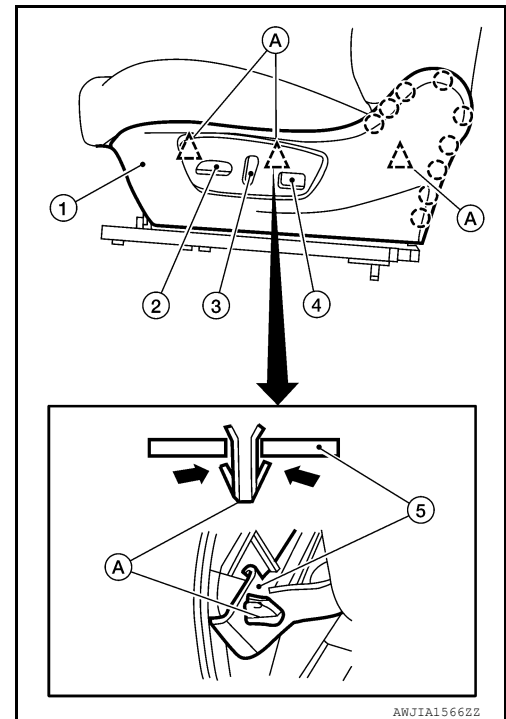
REMOVAL

1. Remove the seat cushion outer finisher (1).
- a. Remove seat slide knob (2), seat recline knob (3) and seat lumbar knob (4), then release metal clips (A) from seat frame (5), as shown (←).

△: Clip

- b. Release pawls and remove.

○: Pawl



2. Disconnect harness connector from lumbar support switch.
3. Using a suitable tool release clip and pawls and remove lumbar support switch.

INSTALLATION

Installation is in the reverse order of removal.

LUMBAR SUPPORT SWITCH

< REMOVAL AND INSTALLATION >

CAUTION:

- Visually check the clips and pawls for deformation and damage during installation. Replace with new ones if necessary.
- When installing seat cushion outer finisher, check that clips are securely placed into seat cushion frame holes.

A
B
C
D
E
F
G
H
I
K
L
M
N
O
P

SE

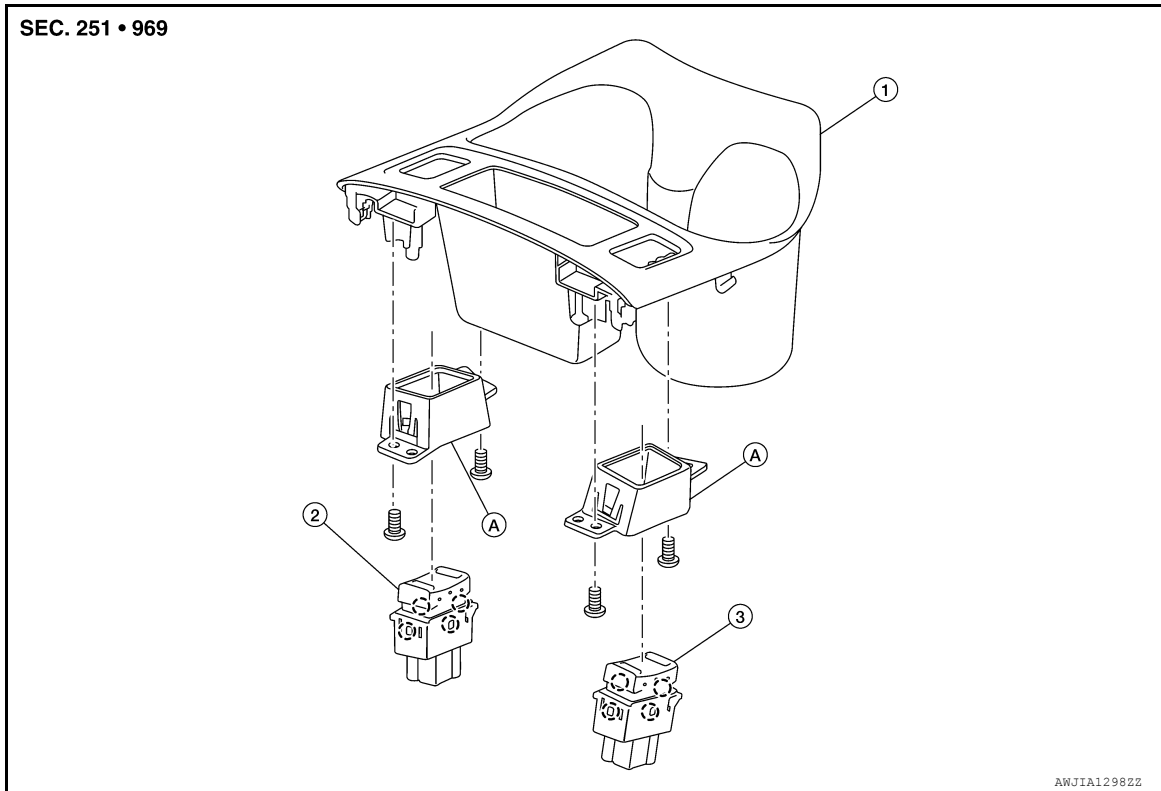
HEATED SEAT SWITCH

< REMOVAL AND INSTALLATION >

HEATED SEAT SWITCH

Exploded View

INFOID:000000011280464



1. Center console cup holder 2. Driver heated seat switch 3. Passenger heated seat switch
A. Switch carrier ○ Pawl

Removal and Installation

INFOID:000000011280465

REMOVAL

1. Remove the center console cup holder. Refer to [IP-19, "Exploded View"](#).
2. Remove screws from switch carrier and remove switch carrier.
3. Release pawls and remove heated seat switch.

INSTALLATION

Installation is in the reverse order of removal.

FRONT SEAT

< UNIT DISASSEMBLY AND ASSEMBLY >

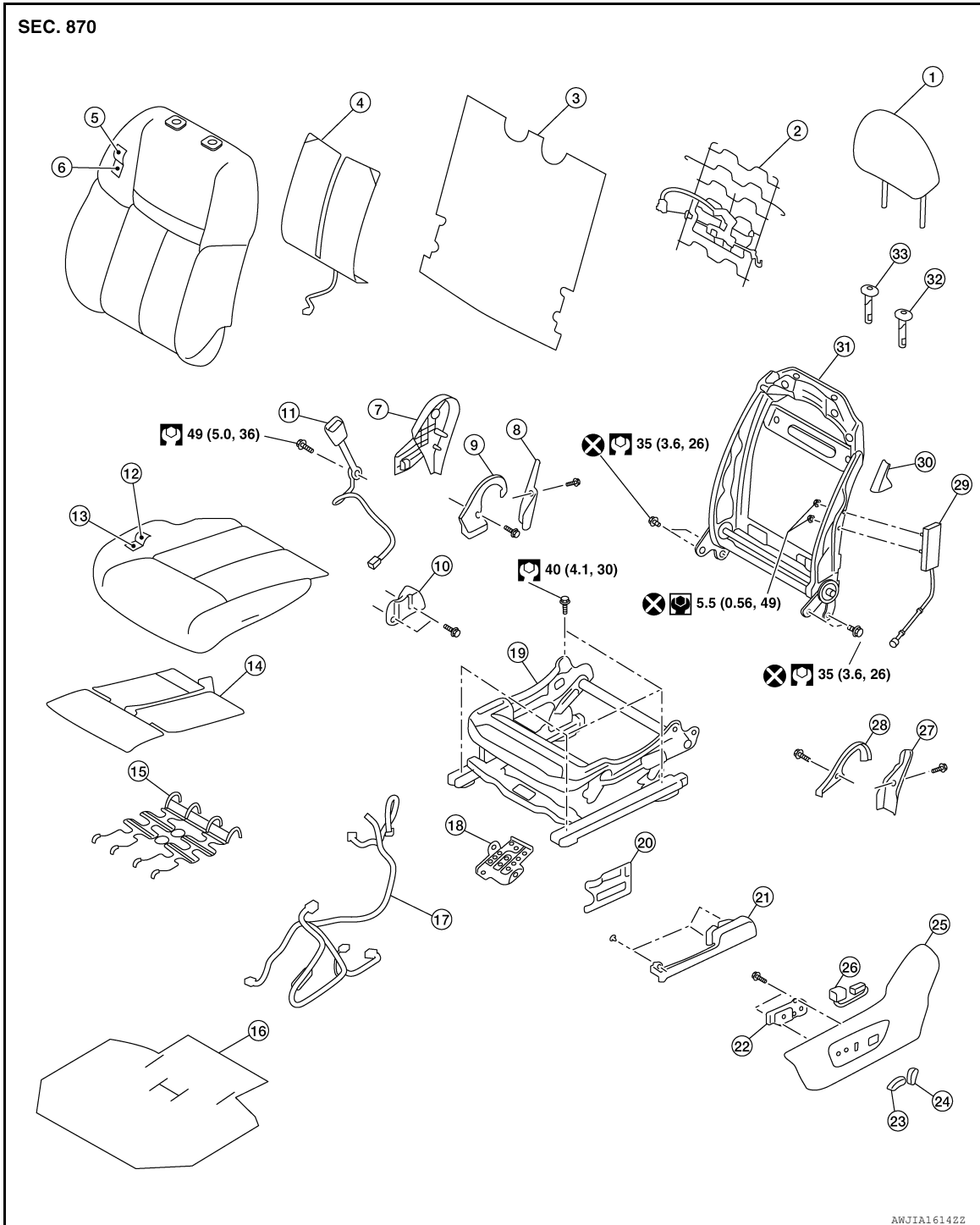
UNIT DISASSEMBLY AND ASSEMBLY

FRONT SEAT

Exploded View

INFOID:000000011280466

DRIVER POWER SEAT



- | | | |
|-------------------------------------|------------------------------------|-------------------------------------|
| 1. Headrest | 2. Seatback support | 3. Seatback board |
| 4. Seatback heater (if equipped) | 5. Seatback trim | 6. Seatback pad |
| 7. Seat cushion outer finisher (RH) | 8. Seat cushion rear finisher (RH) | 9. Seat cushion inner finisher (RH) |

FRONT SEAT

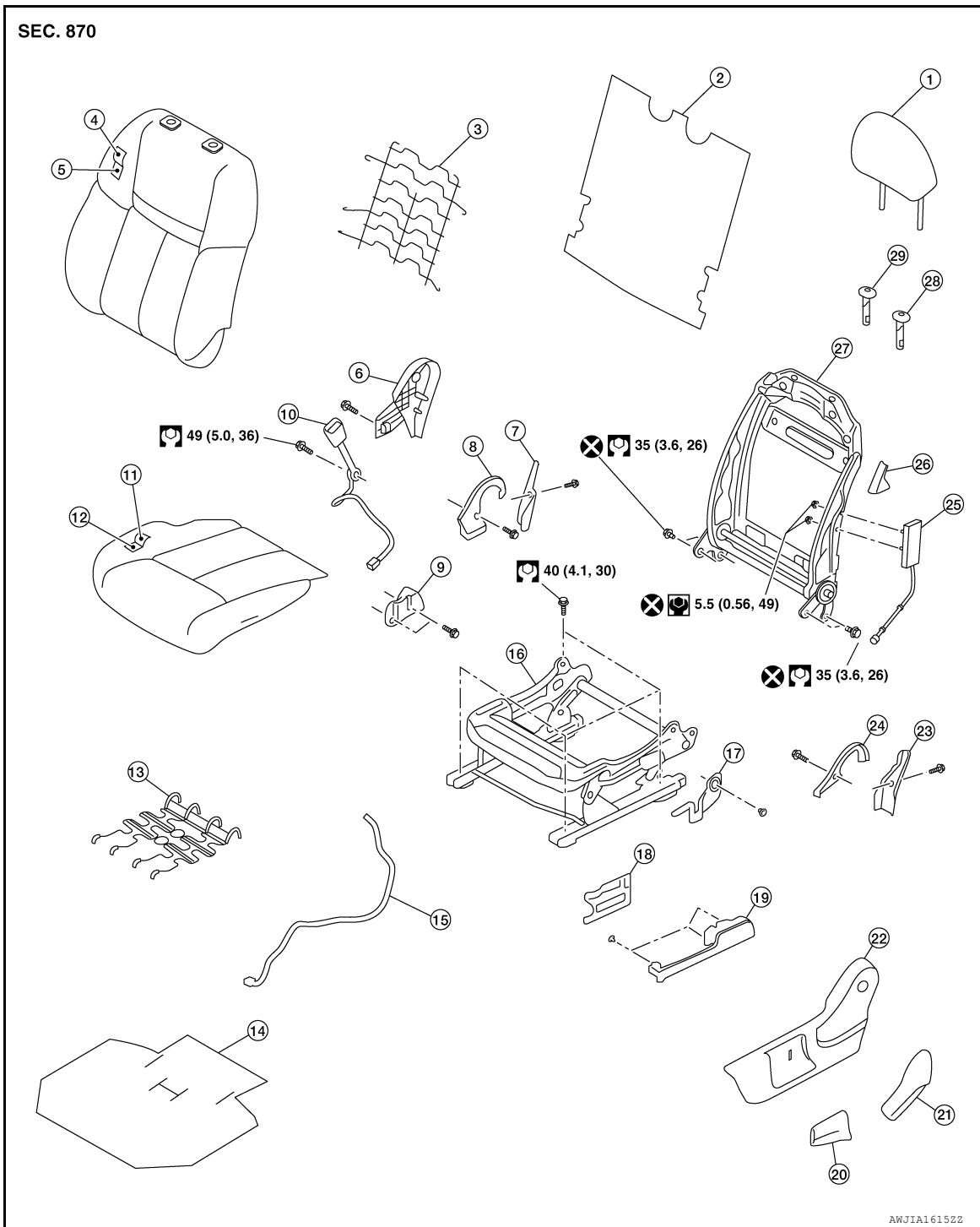
< UNIT DISASSEMBLY AND ASSEMBLY >

- | | | |
|--------------------------------------|--|-------------------------------------|
| 10. Seat slide finisher (RH) | 11. Seat belt buckle | 12. Seat cushion trim |
| 13. Seat cushion pad | 14. Seat cushion heater (if equipped) | 15. Seat cushion support |
| 16. Seat cushion silencer | 17. Seat harness | 18. Seat harness bracket |
| 19. Seat cushion frame | 20. Seat slide finisher bracket (LH) | 21. Seat slide finisher (LH) |
| 22. Power seat switch | 23. Seat slide knob | 24. Seat recline knob |
| 25. Seat cushion outer finisher (LH) | 26. Lumbar support switch | 27. Seat cushion rear finisher (LH) |
| 28. Seat cushion inner finisher (LH) | 29. Side air bag module (not service-able) | 30. Seatback bracket |
| 31. Seatback frame | 32. Headrest holder (locked) | 33. Headrest holder (free) |

FRONT SEAT

< UNIT DISASSEMBLY AND ASSEMBLY >

DRIVER MANUAL SEAT



- | | | |
|--------------------------------------|-------------------------------------|--------------------------------------|
| 1. Headrest | 2. Seatback board | 3. Seatback support |
| 4. Seatback trim | 5. Seatback pad | 6. Seat cushion outer finisher |
| 7. Seat cushion rear finisher (RH) | 8. Seat cushion inner finisher (RH) | 9. Seat slide finisher (RH) |
| 10. Seat belt buckle | 11. Seat cushion trim | 12. Seat cushion pad |
| 13. Seat cushion support | 14. Seat cushion silencer | 15. Seat harness |
| 16. Seat cushion frame | 17. Recline switch | 18. Seat slide finisher bracket (LH) |
| 19. Seat slide finisher (LH) | 20. Lift lever | 21. Recline lever |
| 22. Seat cushion outer finisher (LH) | 23. Seat cushion rear finisher (LH) | 24. Seat cushion inner finisher (LH) |

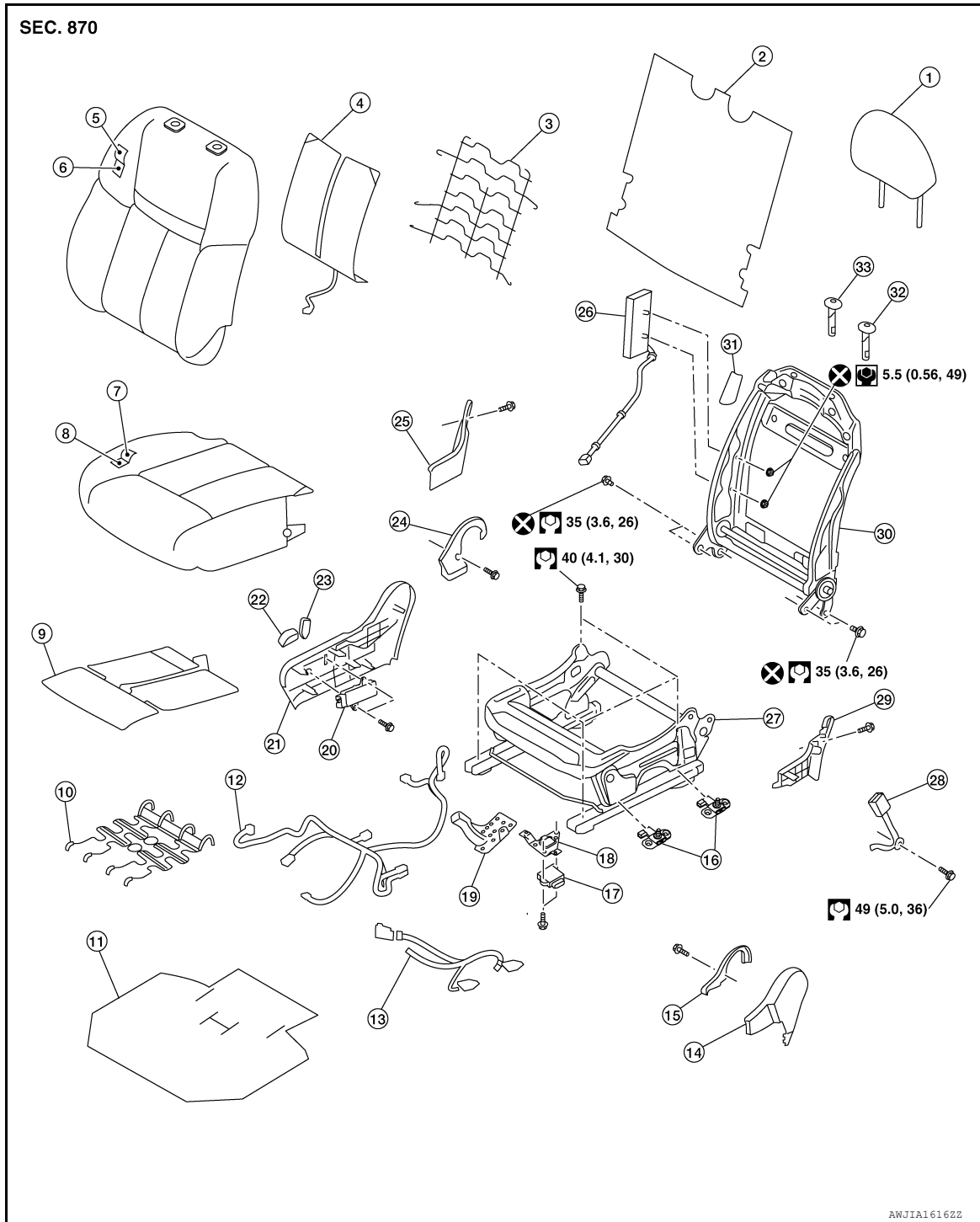
A
B
C
D
E
F
G
H
I
SE
K
L
M
N

FRONT SEAT

< UNIT DISASSEMBLY AND ASSEMBLY >

- | | | |
|--|----------------------------|--------------------|
| 25. Side air bag module (not service-able) | 26. Seatback bracket | 27. Seatback frame |
| 28. Headrest holder (locked) | 29. Headrest holder (free) | |

PASSENGER POWER SEAT



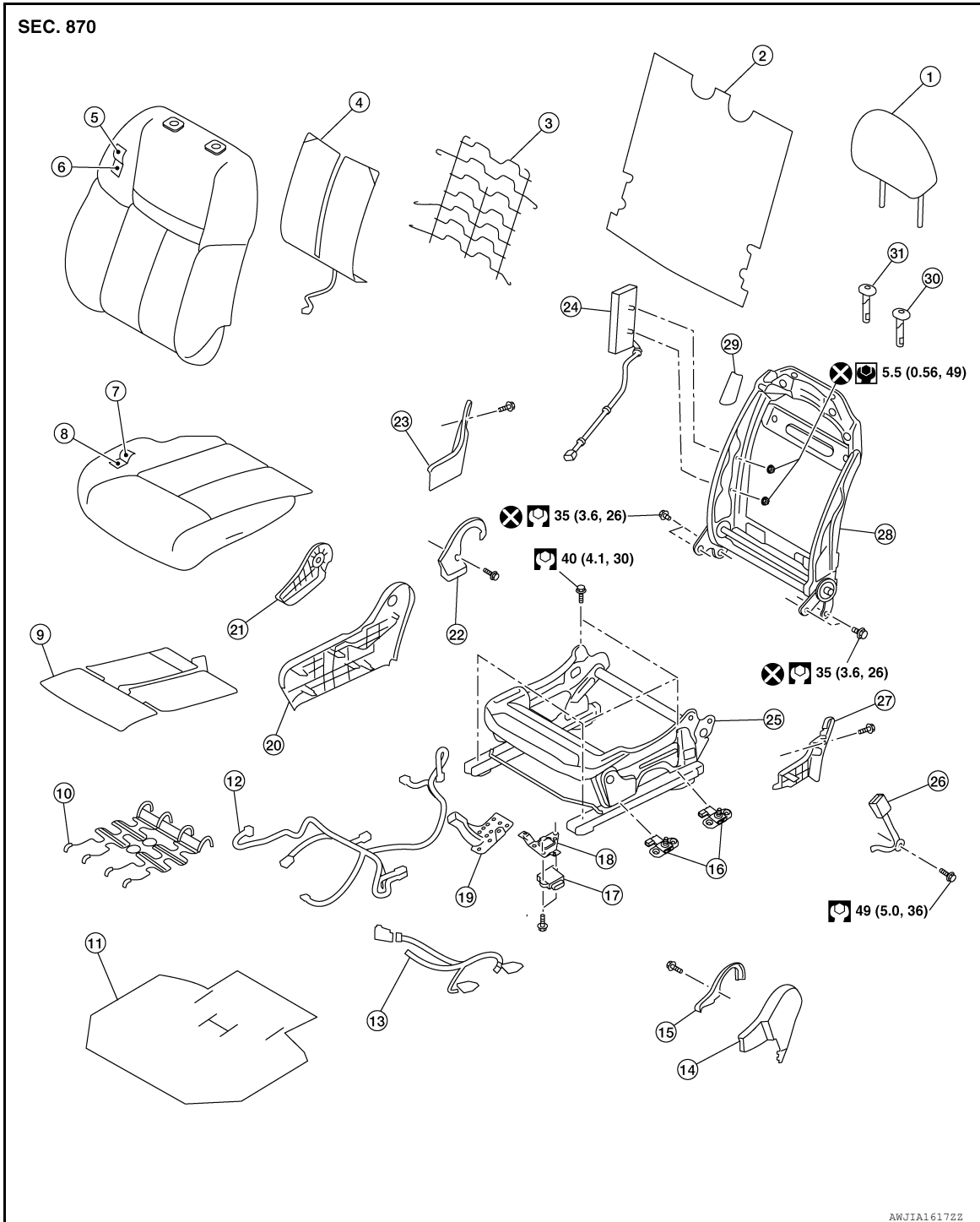
- | | | |
|--|--------------------------------------|--------------------------------------|
| 1. Headrest | 2. Seatback board | 3. Seatback support |
| 4. Seatback heater | 5. Seat cushion trim | 6. Seat cushion pad |
| 7. Seat cushion trim | 8. Seat cushion pad | 9. Seat cushion heater |
| 10. Seat cushion support | 11. Seat cushion silencer | 12. Seat harness |
| 13. Occupant classification system harness | 14. Seat cushion outer finisher (LH) | 15. Seat cushion inner finisher (LH) |

FRONT SEAT

< UNIT DISASSEMBLY AND ASSEMBLY >

- | | | |
|---|---|--|
| 16. Occupant classification system sensor | 17. Occupant classification system control unit | 18. Occupant classification system bracket |
| 19. Wiring harness bracket | 20. Power seat switch | 21. Seat cushion outer finisher (RH) |
| 22. Seat slide knob | 23. Seat recline knob | 24. Seat cushion inner finisher (RH) |
| 25. Seat cushion rear finisher (RH) | 26. Side air bag module (not serviceable) | 27. Seat cushion frame |
| 28. Seat belt buckle | 29. Seat cushion rear finisher (LH) | 30. Seatback frame |
| 31. Seatback bracket | 32. Headrest holder (locked) | 33. Headrest holder (free) |

PASSENGER MANUAL SEAT



AWJIA16172Z

FRONT SEAT

< UNIT DISASSEMBLY AND ASSEMBLY >

- | | | |
|--|---|---|
| 1. Headrest | 2. Seatback board | 3. Seatback support |
| 4. Seatback heater (if equipped) | 5. Seatback trim | 6. Seatback pad |
| 7. Seat cushion trim | 8. Seat cushion pad | 9. Seat cushion heater (if equipped) |
| 10. Seat cushion support | 11. Seat cushion silencer | 12. Seat harness |
| 13. Occupant classification system harness | 14. Seat cushion outer finisher (LH) | 15. Seat cushion inner finisher (LH) |
| 16. Occupant classification system sensor | 17. Occupant classification system control unit | 18. Occupant classification system control unit bracket |
| 19. Wiring harness bracket | 20. Seat cushion outer finisher | 21. Recline lever |
| 22. Seat cushion inner finisher (RH) | 23. Seat cushion rear finisher (RH) | 24. Side air bag module (not serviceable) |
| 25. Seat cushion frame | 26. Seat belt buckle | 27. Seat cushion rear finisher (LH) |
| 28. Seatback frame | 29. Seatback bracket | 30. Headrest holder (free) |
| 31. Headrest holder (locking) | | |

Seatback

INFOID:000000011280467

DISASSEMBLY

WARNING:

Do not leave any objects (screwdrivers, tools, etc.) on the seat during seatback repair. It can lead to personal injury if the side air bag module should accidentally deploy.

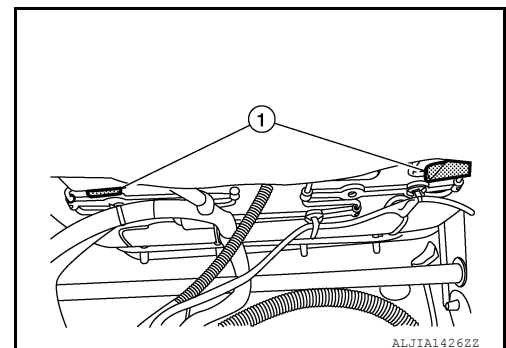
CAUTION:

- Before servicing, turn the ignition switch OFF, disconnect both battery terminals then wait at least three minutes.
- Always work from the side or back of the seatback, do not work in front of seat.
- Do not use air tools or electric tools for servicing the seat assembly.
- Do not insert any objects into the side air bag module.
- Do not attempt to disassemble the side air bag module.
- Do not expose the side air bag module to temperatures exceeding 93°C (199°F).
- Do not expose the side air bag module to any oil, grease, detergent or water.
- During disassembly, do not damage the seatback board, connectors, retainers, clips, module harness or the side air bag module.

NOTE:

- If the vehicle has been involved in a collision and the side air bag module has deployed, the seat trim must be replaced.
- Front seat (LH) shown, front seat (RH) similar.

1. Remove driver side front seat or front seat passenger side. Refer to [SE-32, "DRIVER SIDE : Removal and Installation"](#) (DRIVER SIDE), [SE-35, "PASSENGER SIDE : Removal and Installation"](#) (PASSENGER SIDE).
2. Release J-hooks (1) fastener (LH/RH).



3. Press the headrest holder lock button, then lift headrest up and remove.

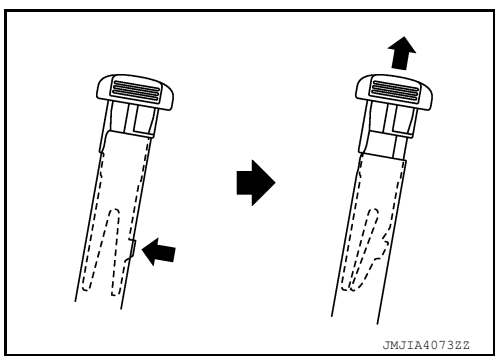
FRONT SEAT

< UNIT DISASSEMBLY AND ASSEMBLY >

4. Release headrest holder locks as shown and remove headrest holders.

CAUTION:

Before removing/installing the headrest holder, check its orientation (front/rear and right/left).



5. Release side air bag module harness clips from seat frame.

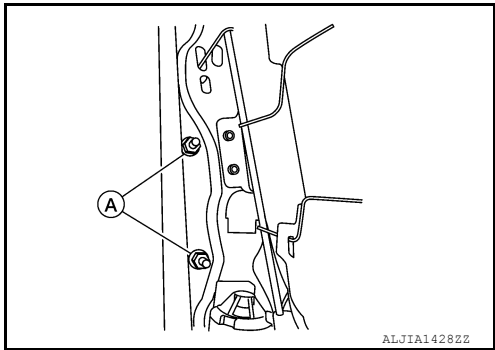
NOTE:

Take note of harness routing and attachment location for correct installation.

6. Remove side air bag module harness nuts (A).

CAUTION:

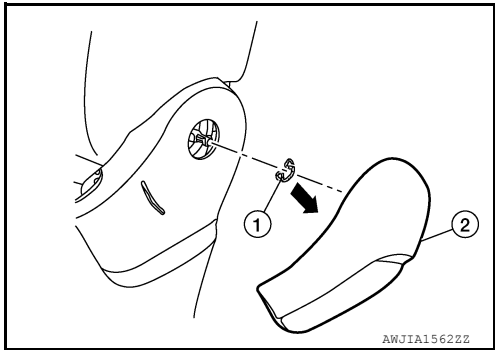
Do not reuse side air bag module nuts.



7. Remove seat cushion outer finisher (LH).

- a. For manual seat:

- i. Remove snap ring (1) as shown (←) using a suitable tool, then remove the recline lever (2).



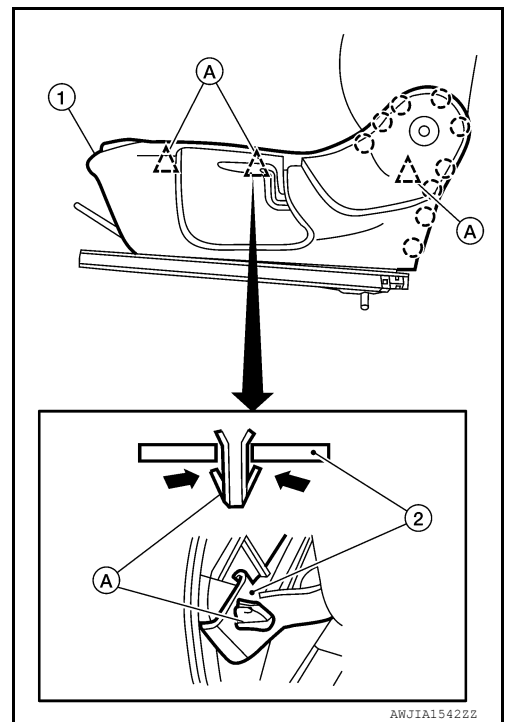
- ii. Release pawl and remove lift lever.

A
B
C
D
E
F
G
H
I
SE
K
L
M
N
O
P

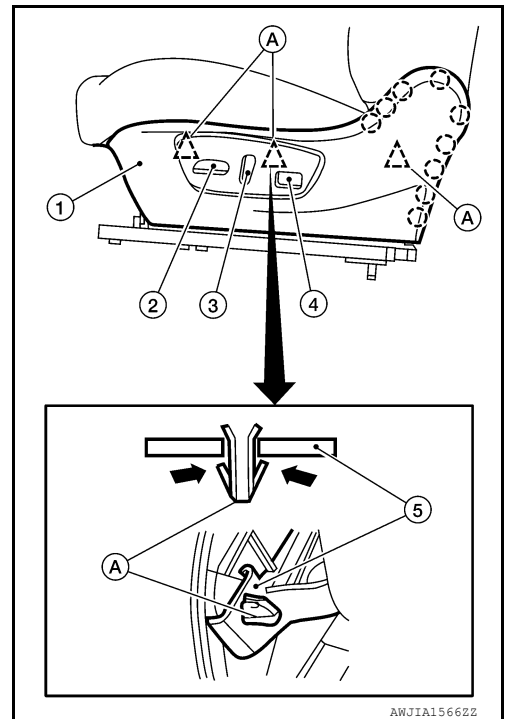
FRONT SEAT

< UNIT DISASSEMBLY AND ASSEMBLY >

- iii. Release clips (A) from seat cushion frame as shown (←).
- △:Clip
- iv. Release remaining pawls then remove seat cushion outer finisher (LH) (1).
- : Pawl



- b. For power seat:
 - i. Remove the seat cushion outer finisher (LH) (1).
 - ii. Remove seat slide knob (2), seat recline knob (3) and seat lumbar knob (4), then release clips (A) from seat frame (5), as shown (←).
- △:Clip
- iii. Release pawls and remove.
- : Pawl



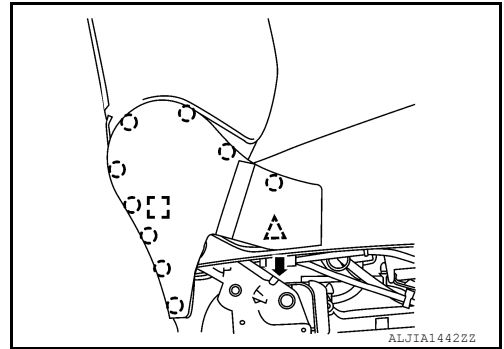
- iv. Disconnect harness connectors from the power seat switch and lumbar support switch.

FRONT SEAT

< UNIT DISASSEMBLY AND ASSEMBLY >

8. Release pawls and clips, and remove seat cushion outer finisher (RH) in the direction shown (←).

- : Pawl
- : Metal clip
- △: Clip



9. Release clips and remove side air bag module harness from seat frame.

NOTE:

Take note of harness routing and attachment location for correct installation.

10. Disconnect the harness connector from lumbar support motor (if equipped) and release harness from seatback assembly.

NOTE:

Take note of harness routing and attachment location for correct installation.

11. Disconnect the harness connector for the front seat heater (if equipped).

NOTE:

Take note of harness routing and attachment location for correct installation.

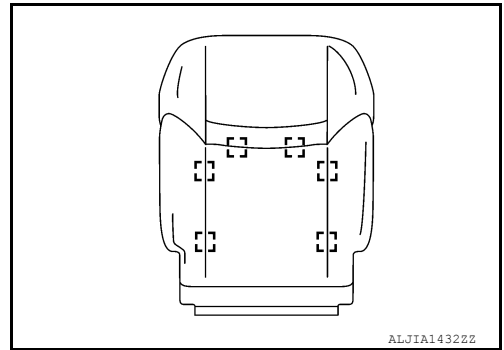
12. Remove seatback trim and pad.

13. Release fastener and remove hog rings, then separate seatback trim from seatback pad.

NOTE:

Remove all pieces of hog rings and discard them.

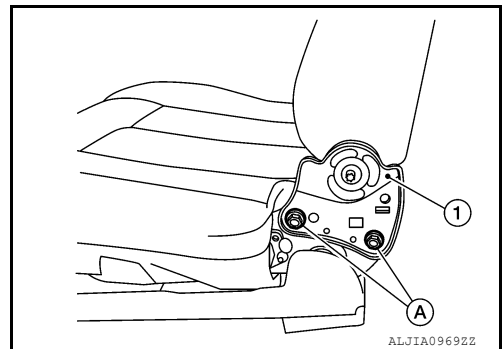
- : Hog ring



14. Remove screws (A) on both sides of the seatback frame (1).

CAUTION:

Do not reuse seatback frame screws. Replace with new ones.



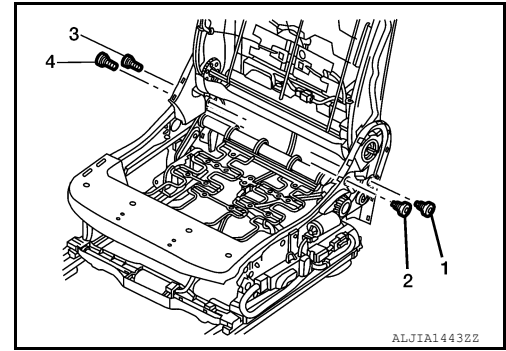
ASSEMBLY

A
B
C
D
E
F
G
H
I
SE
K
L
M
N
O
P

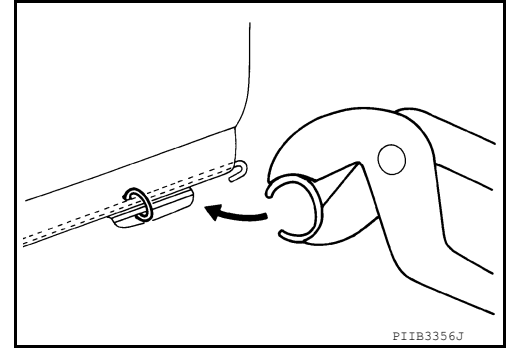
FRONT SEAT

< UNIT DISASSEMBLY AND ASSEMBLY >

- First tighten screws by hand in the order shown.
- Tighten the seatback assembly screws to specification. Refer to [SE-51, "Exploded View"](#).



- Install new hog rings on the seatback trim in original positions.
- Use only one hog ring in each designated location.
- Make sure hog rings are correctly fastened around both the seat back trim and seatback pad wires.
- Use NISSAN standard hog rings and tools to assemble.
- Make sure hook fastener is pressed into place after seatback trim is assembled.
- Smooth out all wrinkles during assembly.



CAUTION:

- Do not reuse seatback frame bolts, replace with new ones.
- Always route side air bag module harness in original location. Replace any deformed or damaged clips with same type and color. Always install clips in the original location in the harness.
- After work is completed, check that no system malfunction is detected causing the air bag warning lamp to illuminate.
- If a malfunction is detected by the air bag warning lamp after repair or replacement of the malfunction parts, perform the SRS final check. Refer to [SRC-14, "Description"](#).

Seat Cushion

INFOID:000000011280468

DISASSEMBLY

WARNING:

Do not leave any objects (screwdrivers, tools, etc.) on the seat during seat cushion repair. It can lead to personal injury if the side air bag module should accidentally deploy.

CAUTION:

- Before servicing, turn the ignition switch OFF, disconnect both battery terminals and wait at least three minutes.
- Always work from the side or back of the seatback assembly, do not work in front of seat.
- Do not use air tools or electric tools for servicing the seat assembly.

NOTE:

Front seat (LH) shown, front seat (RH) similar.

1. Remove the front seat driver side or front seat passenger side. Refer to [SE-32, "DRIVER SIDE : Removal and Installation"](#) (DRIVER SIDE), [SE-35, "PASSENGER SIDE : Removal and Installation"](#) (PASSENGER SIDE).

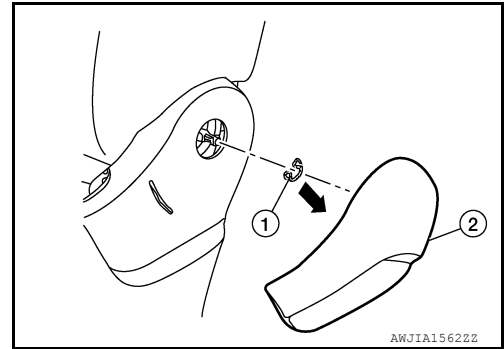
FRONT SEAT

< UNIT DISASSEMBLY AND ASSEMBLY >

2. Remove seat cushion outer finisher (LH).

a. For manual seat:

i. Remove snap ring (1) as shown (←) using a suitable tool, then remove the recline lever (2).



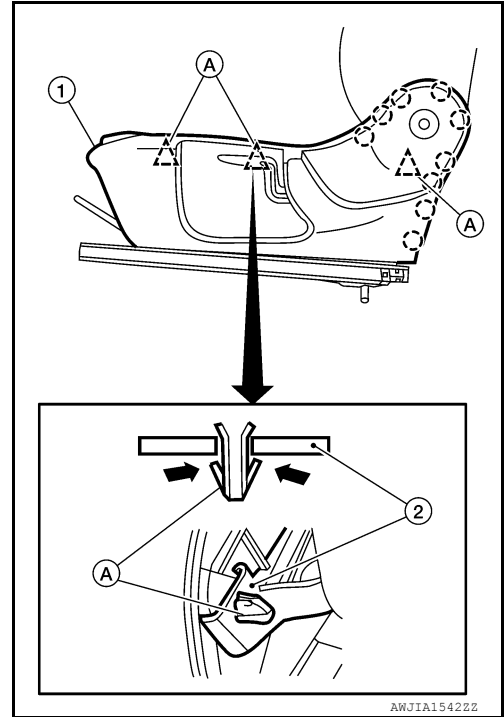
ii. Release pawl and remove lift lever.

iii. Release clips (A) from seat cushion frame as shown (←).

△:Clip

iv. Release remaining pawls then remove seat cushion outer finisher (LH) (1).

○:Pawl



b. For power seat:

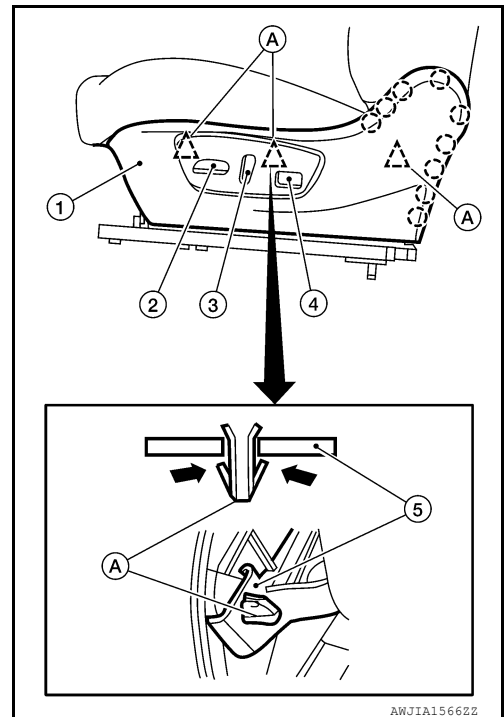
i. Remove the seat cushion outer finisher (LH) (1).

ii. Remove seat slide knob (2), seat recline knob (3) and seat lumbar knob (4), then release clips (A) from seat frame (5), as shown (←).

△:Clip

iii. Release pawls and remove.

○:Pawl



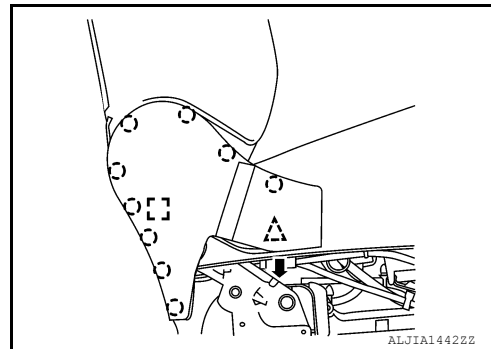
A
B
C
D
E
F
G
H
I
SE
K
L
M
N
O
P

FRONT SEAT

< UNIT DISASSEMBLY AND ASSEMBLY >

- iv. Disconnect harness connectors from the power seat switch and lumbar support switch.
3. Release pawls and clips, and remove seat cushion outer finisher (RH) in the direction shown (←).

- : Pawl
- : Metal clip
- △: Clip



4. Release two seatback J-clip retainers from the seat frame.
5. Partially release seatback fasteners (LH/RH).
6. Release ten seat cushion J-clips holding the seat cushion trim to the seat frame.
7. Remove seat cushion trim and seat cushion pad as an assembly from the seat frame.
8. Remove hog rings and separate seat cushion trim and seat cushion pad.

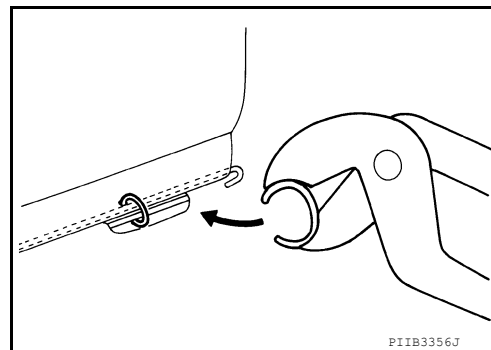
NOTE:

Remove all pieces of hog rings and discard them.

ASSEMBLY

Assembly is in the reverse order of disassembly.

- Install new hog rings on the seat cushion trim in original positions.
- Use only one hog ring in each designated location.
- Make sure hog rings are correctly fastened around both the seat cushion trim and seat cushion pad wires.
- Use NISSAN standard hog rings and tools to assemble.
- Make sure hook fastener is pressed into place after seat cushion trim is assembled.
- Smooth out all wrinkles during assembly.



CAUTION:

- Always route side air bag module harness in original location. Replace any deformed or damaged clips with same type and color. Always install clips in the original location in the harness.
- After work is completed, check that no system malfunction is detected causing the air bag warning lamp to illuminate.
- If a malfunction is detected by the air bag warning lamp after repair or replacement of the malfunction parts, perform the SRS final check. Refer to [SRC-16, "Trouble Diagnosis with CONSULT"](#).

Lumbar Support

INFOID:000000011280469

DISASSEMBLY

WARNING:

Do not leave any objects (screwdrivers, tools, etc.) on the seat during seatback repair. It can lead to personal injury if the side air bag module should accidentally deploy.

CAUTION:

- Before servicing, turn the ignition switch OFF, disconnect both battery terminals, then wait at least three minutes.
- Handle the side air bag module carefully. During disassembly, always hold the side air bag module, do not let it hang by the wire harness.
- Always work from the side or back of the seatback, do not work in front of seat.
- Do not use air tools or electric tools for servicing the seat.
- Replace the side air bag module if it has been dropped or sustained an impact.
- Do not insert any objects into the side air bag module.

FRONT SEAT

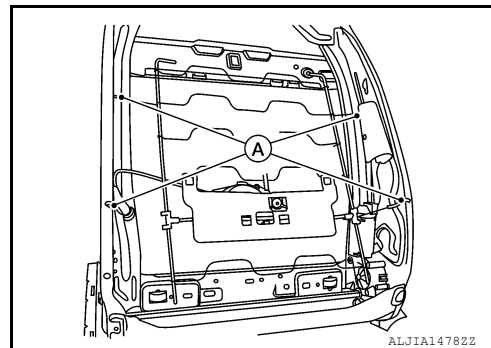
< UNIT DISASSEMBLY AND ASSEMBLY >

- Do not attempt to disassemble the side air bag module.
- Do not expose the side air bag module to temperatures exceeding 93°C (199°F).
- Do not expose the side air bag module to any oil, grease, detergent or water.
- During disassembly, do not damage the seatback board, chutes, connectors, retainers, clips, module harness or the side air bag module.

NOTE:

If the vehicle has been involved in a collision and the side air bag module has deployed, the seatback pad and seatback trim must be replaced.

1. Remove the seatback. Refer to [SE-56, "Seatback"](#).
2. Release hooks (A) from seatback frame and remove lumbar support.



ASSEMBLY

Assembly is in the reverse order of disassembly.

CAUTION:

- Do not reuse the side air bag module nuts.
- Inspect seatback pad, seatback trim and seatback trim chutes. Replace if damaged.
- Smooth out all wrinkles during assembly.
- Always route side air bag module harness in original location. Replace any deformed or damaged clips with same type and color. Always install clips in the original location in the harness.
- After work is completed, check that no system malfunction is detected causing the air bag warning lamp to illuminate.
- If a malfunction is detected by the air bag warning lamp after repair or replacement of the malfunction parts, perform the SRS final check. Refer to [SRC-16, "Trouble Diagnosis with CONSULT"](#).
- When installing the side air bag module, make sure there are no wrinkles and the chute is not folded, twisted or pinched.

Front Seat Heater

INFOID:000000011375920

SEATBACK HEATER

Removal

1. Remove seatback pad. Refer to [SE-56, "Seatback"](#).
2. Carefully remove front seatback heater from seatback pad.

CAUTION:

- Carefully remove seatback heater from seatback pad.
- Do not damage seatback pad when removing seatback heater, if damaged replace seatback pad.

Installation

1. Peel protective backing from front seatback heater and attach to seatback pad.
2. Secure the front seatback heater harness to the seatback frame.
3. Install the remaining seatback components. Refer to [SE-56, "Seatback"](#).

SEAT CUSHION HEATER

Removal

1. Remove seat cushion pad. Refer to [SE-60, "Seat Cushion"](#).
2. Carefully remove front seat cushion heater from seat cushion pad.

CAUTION:

- Carefully remove seat cushion heater from seat cushion pad.

FRONT SEAT

< UNIT DISASSEMBLY AND ASSEMBLY >

- **Do not damage seat cushion pad when removing seat cushion heater, if damaged replace seat cushion pad.**

Installation

1. Peel protective backing from front seat cushion heater and attach to seat cushion pad.
2. Secure the front seat cushion heater harness to the seat cushion frame.
3. Install the remaining seat cushion components. Refer to [SE-60, "Seat Cushion"](#).

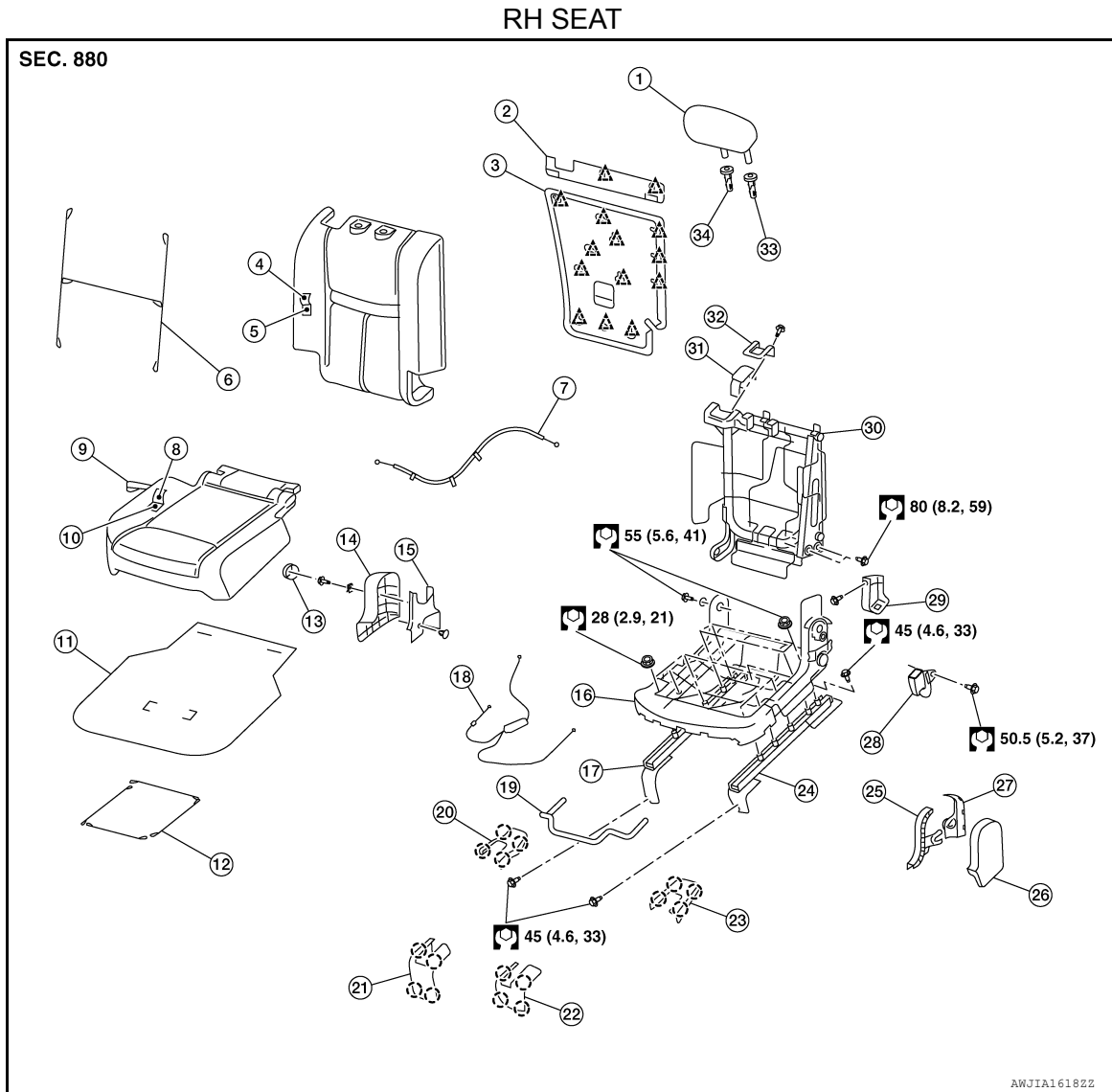
SECOND ROW SEAT

< UNIT DISASSEMBLY AND ASSEMBLY >

SECOND ROW SEAT

Exploded View

INFOID:000000011280470

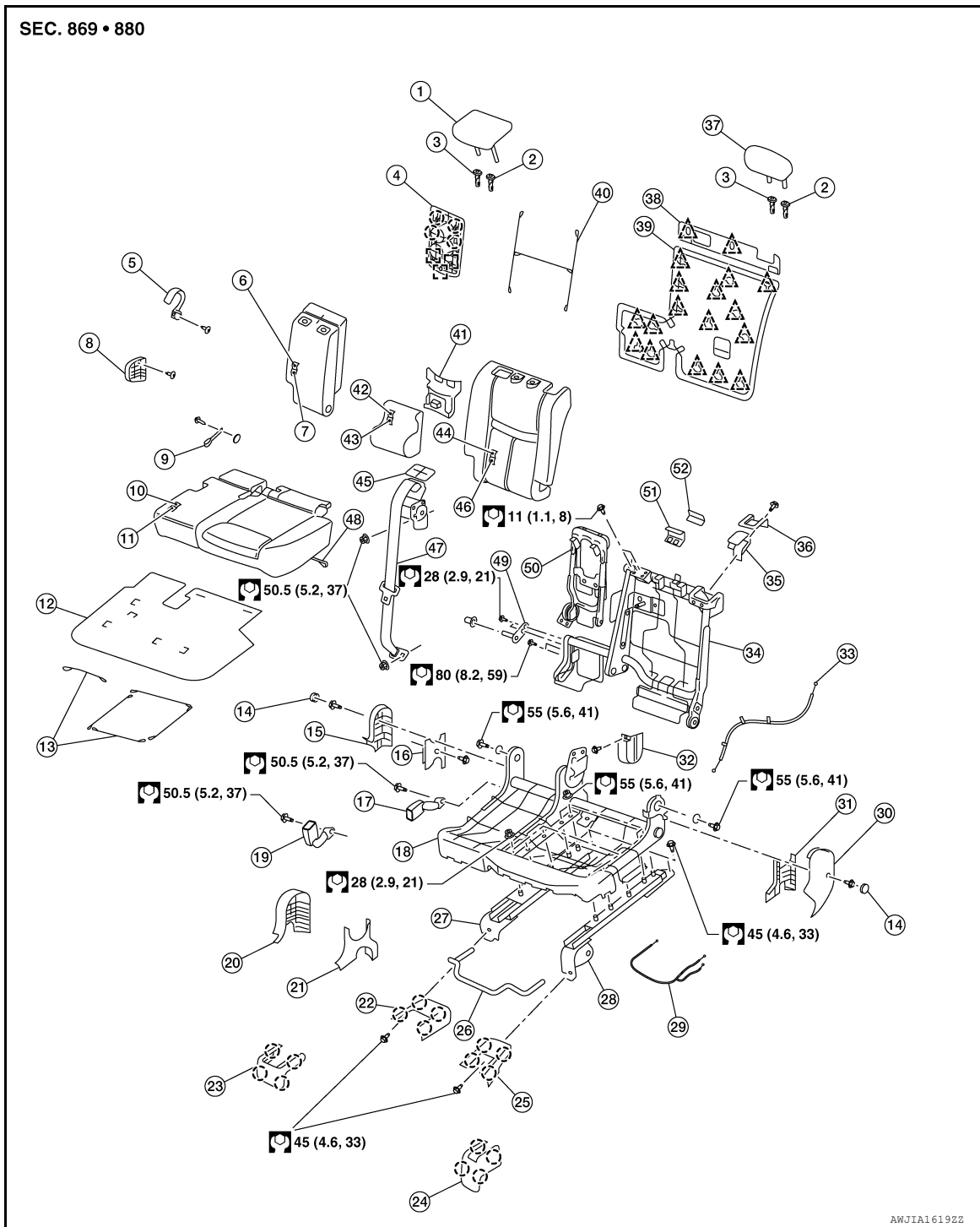


- | | | |
|--------------------------------------|--|--------------------------------------|
| 1. Headrest | 2. Seatback upper luggage board | 3. Seatback luggage board |
| 4. Seatback trim | 5. Seatback pad | 6. Seatback pad wire |
| 7. Recline release cable | 8. Seat cushion trim | 9. Fold flat strap |
| 10. Seat cushion pad | 11. Seat cushion silencer | 12. Seat cushion pad wire |
| 13. Bolt cover | 14. Seat cushion outer finisher (RH) | 15. Seat cushion inner finisher (RH) |
| 16. Seat cushion frame | 17. Seat cushion frame | 18. Seat cushion slide (RH) |
| 19. Seat cushion slide cable | 20. Rear bolt cover (RH) (with third row seat) | 21. Front bolt cover (RH) |
| 22. Front bolt cover (LH) | 23. Rear bolt cover (LH) (with third row seat) | 24. Seat cushion slide (LH) |
| 25. Seat cushion inner finisher (LH) | 26. Seat cushion outer finisher (LH) | 27. Seat cushion rear finisher (LH) |
| 28. Seat belt buckle | 29. Recline lever finisher | 30. Seatback frame |
| 31. Recline device | 32. Recline device cover | 33. Headrest holder (locked) |
| 34. Headrest holder (free) | △ Clip | ○ Pawl |

SECOND ROW SEAT

< UNIT DISASSEMBLY AND ASSEMBLY >



LH SEAT



- | | | |
|--|---------------------------------------|---------------------------------------|
| 1. Headrest (center) | 2. Headrest holder (locked) | 3. Headrest holder (free) |
| 4. Cup holder | 5. Armrest inner finisher | 6. Armrest trim |
| 7. Armrest pad | 8. Armrest outer finisher | 9. Armrest fold flat strap |
| 10. Seat cushion trim | 11. Seat cushion pad | 12. Seat cushion silencer |
| 13. Seat cushion pad wire | 14. Bolt cover | 15. Seat cushion outer finisher (RH) |
| 16. Seat cushion inner finisher (RH) | 17. Seat belt buckle (center) | 18. Seat cushion frame |
| 19. Seat belt buckle (LH) | 20. Seat cushion center finisher (RH) | 21. Seat cushion center finisher (LH) |
| 22. Rear bolt cover (RH) (with third row seat) | 23. Front bolt cover (RH) | 24. Front bolt cover (LH) |
| 25. Rear bolt cover (LH) (with third row seat) | 26. Seat slide control lever | 27. Seat cushion slide (RH) |

SECOND ROW SEAT

< UNIT DISASSEMBLY AND ASSEMBLY >

28. Seat cushion slide (LH)	29. Seat cushion slide cable	30. Seat cushion outer finisher (LH)
31. Seat cushion inner finisher (LH)	32. Armrest inner finisher	33. Recline release cable
34. Seatback frame	35. Recline device	36. Recline device finisher
37. Headrest (LH)	38. Seatback luggage upper board	39. Seatback luggage board
40. Seatback pad wire	41. Armrest lower pad	42. Seatback center trim
43. Seatback center pad	44. Seatback trim	45. Seat belt retractor finisher
46. Seatback pad	47. Seat belt retractor (center)	48. Fold flat strap
49. Armrest bracket	50. Armrest frame	51. Seat belt retractor inner finisher
52. Seat belt retractor outer finisher	 Clip	 Pawl

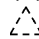
LH SEAT

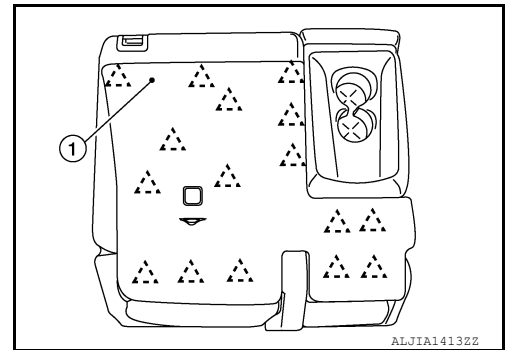
LH SEAT : Seatback

INFOID:000000011280471

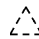
DISASSEMBLY

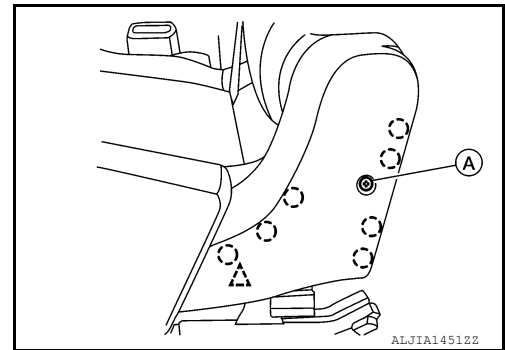
1. Remove second row seat LH. Refer to [SE-39, "Removal and Installation"](#).
2. Using a suitable tool release clips and remove seatback board (1).

 Clip



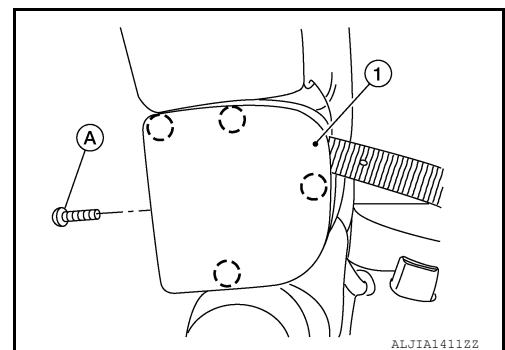
3. Remove screw (A), then using a suitable tool release clip and pawls, then remove seat cushion outside finisher (LH).

 Clip
 Pawl



4. Remove screw (A), then using a suitable tool release clips and pawls and remove armrest finisher (1).

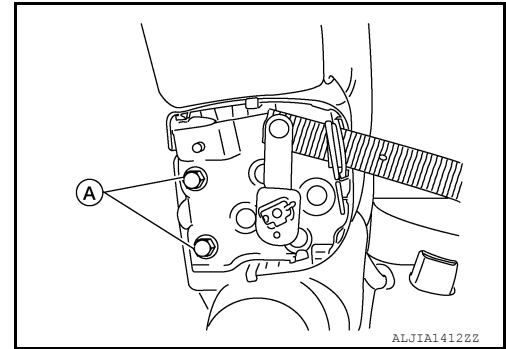
 Clip
 Pawl



SECOND ROW SEAT

< UNIT DISASSEMBLY AND ASSEMBLY >

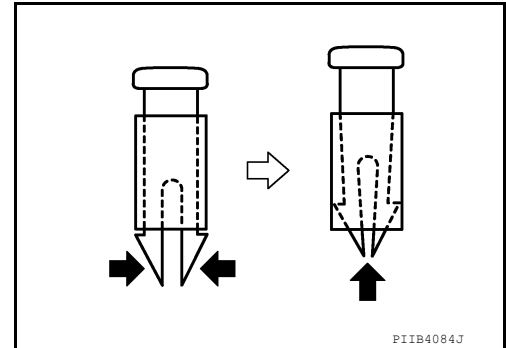
5. Remove bolts (A) and armrest.



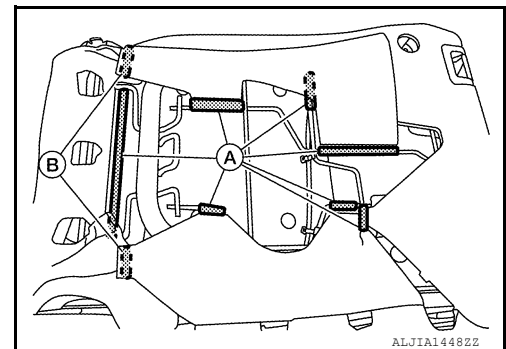
6. Press the headrest holder lock button, then lift headrest up and remove.
7. Reach up behind the seatback pad, release the headrest holder locks as shown and remove the headrest holders.

CAUTION:

Before removing/installing headrest holder, check its orientation (front/rear and right/left).



8. Release pawls and remove recline handle finisher.
9. Release pawls and remove seatbelt retractor outer finisher.
10. Release J-hooks (A) then release fastener (B) and remove seatback pad and seatback trim.

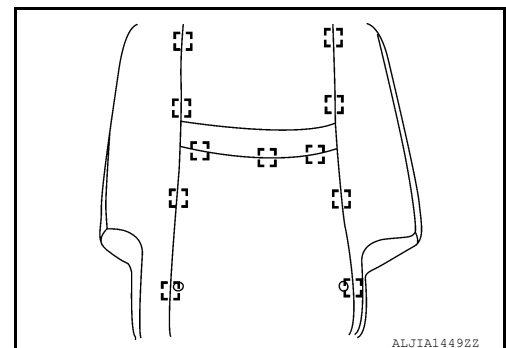


11. Remove seat belt retractor (center) bottom anchor bolt then route seat belt retractor (center) through rear seat cushion and seatback.
12. Remove hog rings, then separate seatback trim from seatback pad.

NOTE:

Remove all pieces of hog rings and discard them.

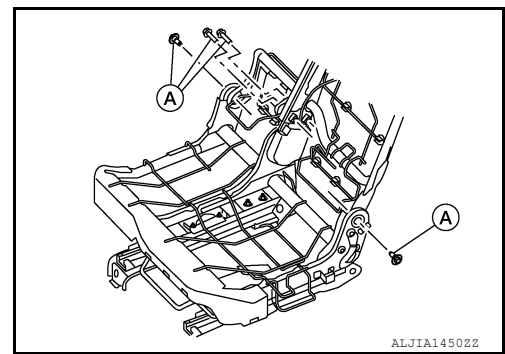
[]: Hog ring



SECOND ROW SEAT

< UNIT DISASSEMBLY AND ASSEMBLY >

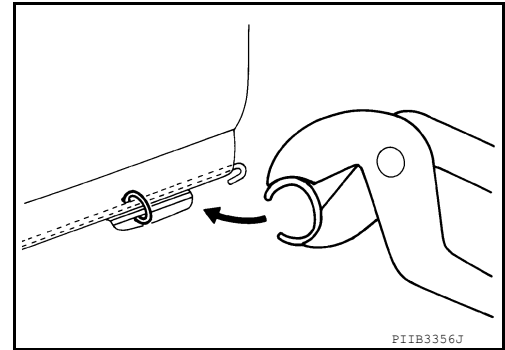
13. Remove bolts (A) and seatback frame from seat cushion frame.



ASSEMBLY

Assembly is in the reverse order of disassembly.

- Install new hog rings on the seatback trim in original positions.
- Use only one hog ring in each designated location.
- Make sure hog rings are correctly fastened around both the seatback trim and seatback pad wires.
- Use NISSAN standard hog rings and tools to assemble.
- Make sure hook fastener is pressed into place after seatback trim is assembled.
- Smooth out all wrinkles during assembly.



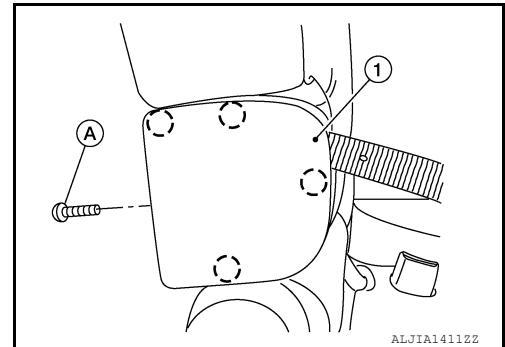
INFOID:000000011280472

LH SEAT : Seat Cushion

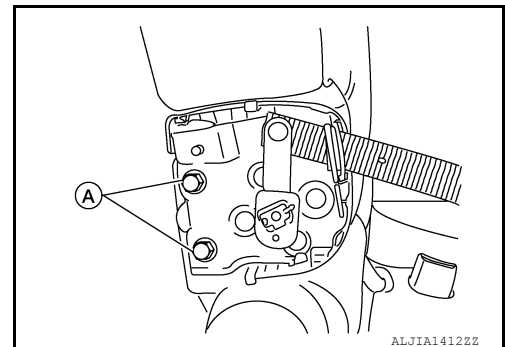
DISASSEMBLY

1. Remove second row seat LH. Refer to [SE-39, "Removal and Installation"](#).
2. Remove screw (A), then using a suitable tool release pawls and remove armrest finisher (1).

○: Pawl



3. Remove bolts (A) and armrest.

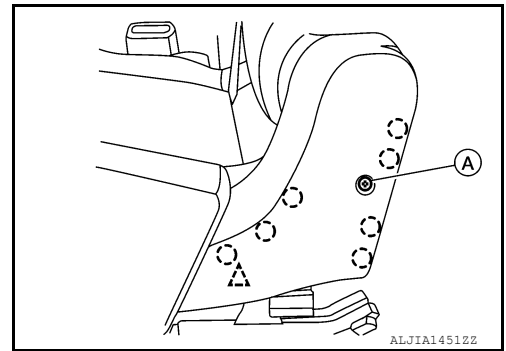


SECOND ROW SEAT

< UNIT DISASSEMBLY AND ASSEMBLY >

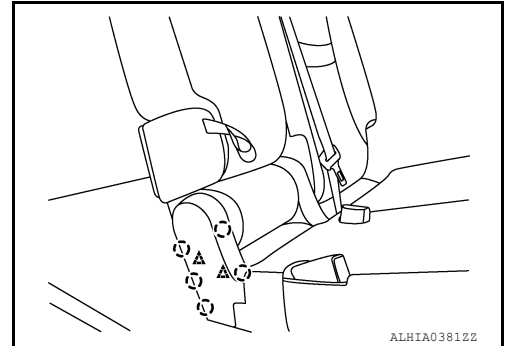
4. Remove screw (A), then using a suitable tool release clips and pawls and remove seat cushion outside finisher (LH).

△: Clip
○: Pawl



5. Using a suitable tool, release clips and pawls, then remove seat cushion outer finisher (RH)

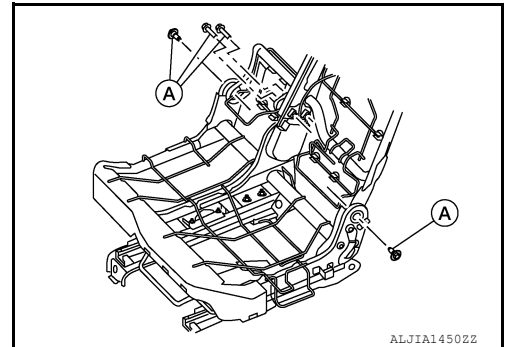
△: Clip
○: Pawl



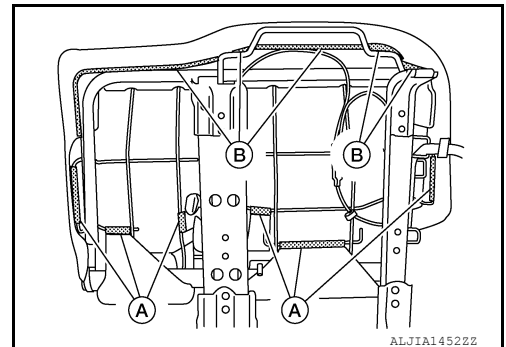
6. Remove bolts (A) and seatback frame.

NOTE:

Seatback pad and trim removed for clarity.



7. Release J-hooks (A) and fasteners (B), then route seatbelt buckles through seat cushion and remove seat cushion pad and seat cushion trim.



SECOND ROW SEAT

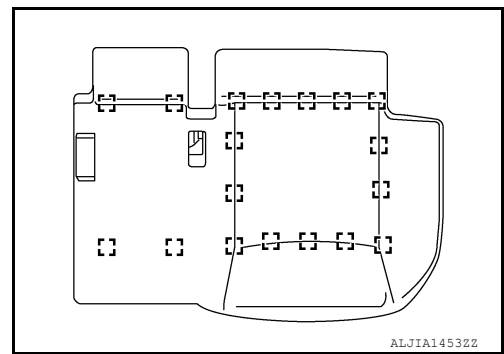
< UNIT DISASSEMBLY AND ASSEMBLY >

- Remove hog rings, then separate seat cushion trim from seat cushion pad.

□: Hog ring

NOTE:

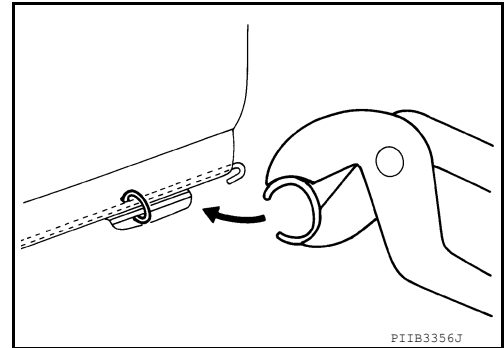
Remove all pieces of hog rings and discard them.



ASSEMBLY

Assembly is in the reverse order of disassembly.

- Install new hog rings on the seat cushion trim in original positions.
- Use only one hog ring in each designated location.
- Make sure hog rings are correctly fastened around both the seat cushion trim and seat cushion pad wires.
- Use NISSAN standard hog rings and tools to assemble.
- Make sure hook fastener is pressed into place after seat cushion trim is assembled.
- Smooth out all wrinkles during assembly.



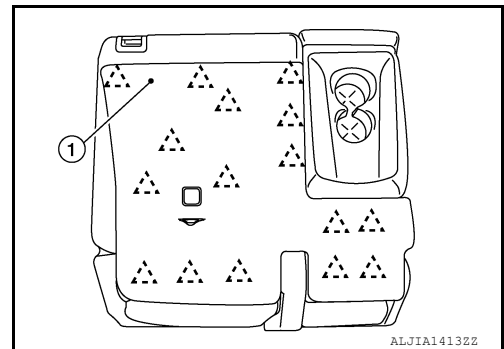
LH SEAT : Armrest Assembly

INFOID:000000011280473

DISASSEMBLY

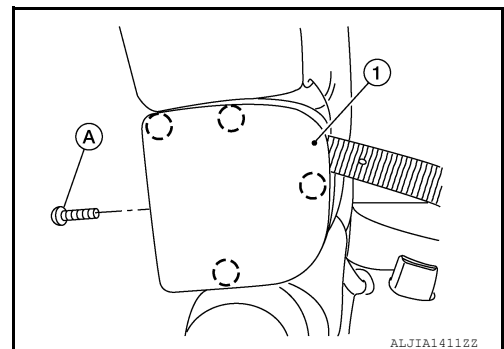
- Remove second row seat LH. Refer to [SE-39. "Removal and Installation"](#).
- Using a suitable tool release clips and remove seatback board (1).

△: Clip



- Remove screw (A), then release pawls and remove armrest finisher (1).

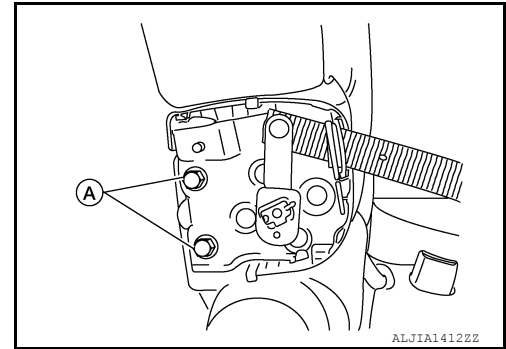
○: Pawl



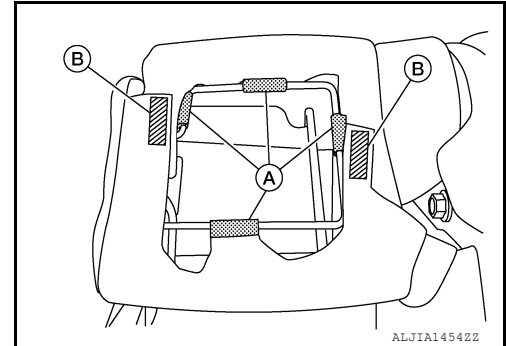
SECOND ROW SEAT

< UNIT DISASSEMBLY AND ASSEMBLY >

4. Remove bolts (A) and armrest.

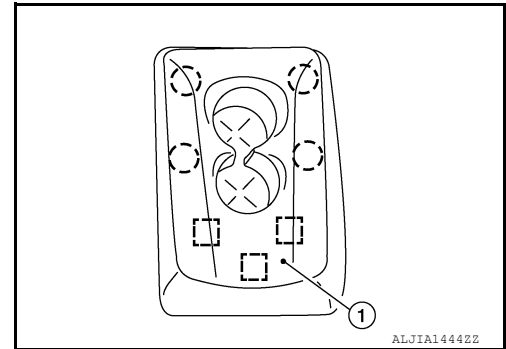


5. Release J-Hooks (A) and fasteners (B), then remove seatback center trim from seatback center pad.



6. Using a suitable tool release metal clips and pawls and remove cup holder (1).

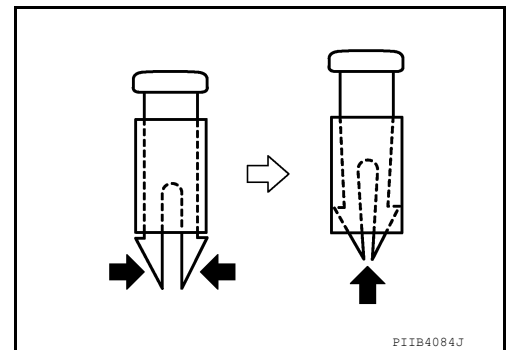
- : Metal clip
- : Pawl



7. Press the headrest holder lock button, then lift headrest up and remove.
8. Reach up behind the armrest assembly, release the headrest holder locks as shown and remove the headrest holders.

CAUTION:

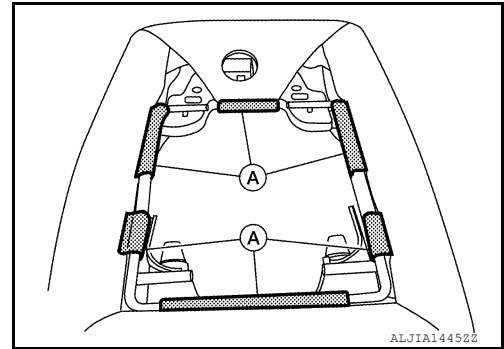
Before removing/installing headrest holder, check its orientation (front/rear and right/left).



SECOND ROW SEAT

< UNIT DISASSEMBLY AND ASSEMBLY >

- Release J-Hooks (A) from armrest frame and remove armrest lower pad.



- Remove armrest trim, then remove armrest pad.

ASSEMBLY

Assembly is in the reverse order of disassembly.

- Make sure fastener is pressed into place after armrest trim is assembled.
- Smooth out all wrinkles during assembly.

LH SEAT : EZ Entry Cable

INFOID:0000000011280474

DISASSEMBLY

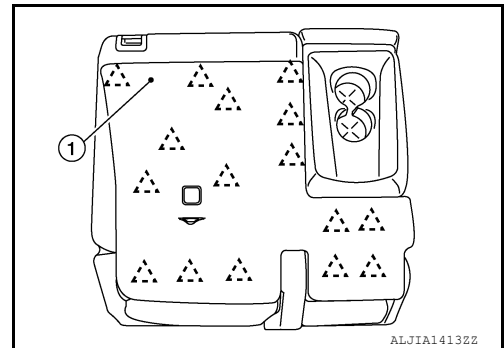
NOTE:

LH shown : RH similar

- Remove second row seat LH. Refer to [SE-39, "Removal and Installation"](#).
- Using a suitable tool release clips and remove seatback board (1).

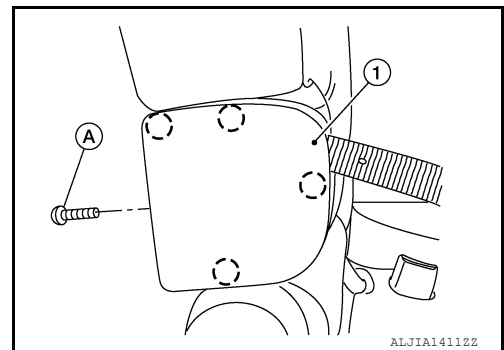
(1):

△: Clip



- Remove screw (A), then using a suitable tool release pawls and remove armrest finisher (1).

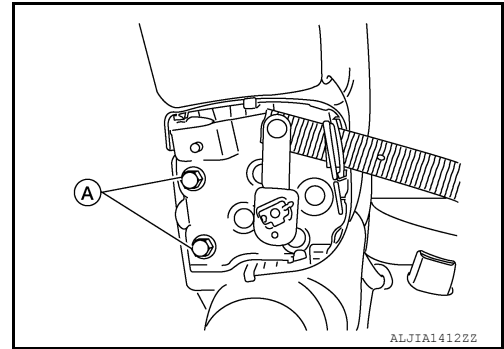
○: Pawl



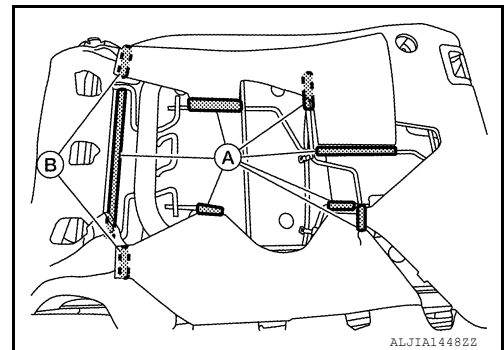
SECOND ROW SEAT

< UNIT DISASSEMBLY AND ASSEMBLY >

4. Remove bolts (A) and armrest.

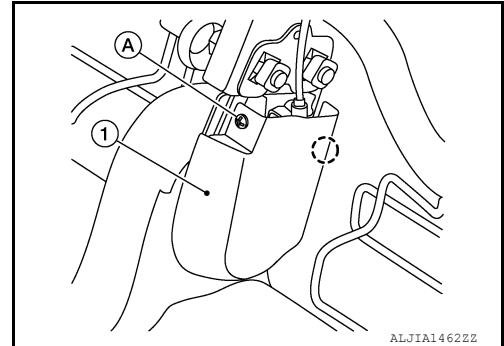


5. Release pawls and remove recline handle finisher.
6. Release pawls and remove seatbelt retractor outer finisher.
7. Remove seat belt retractor (center) bottom anchor bolt then route seat belt retractor (center) through second row seat cushion and seatback.
8. Release J-hooks (A) then release fastener (B) and remove seatback pad and seatback trim.

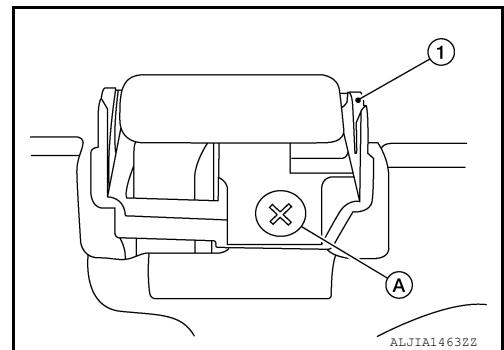


9. Remove screw (A), then using a suitable tool release pawl and remove the armrest inner finisher (1).

⊗: Pawl



10. Remove screw (A), then remove recline device (1) from seatback frame.



SECOND ROW SEAT

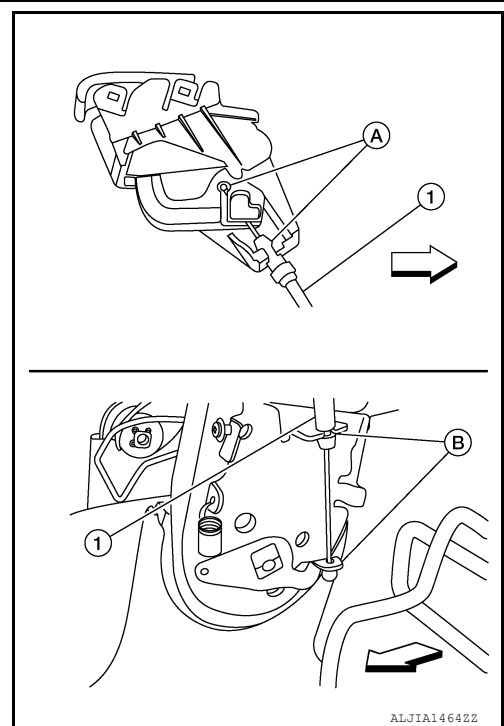
< UNIT DISASSEMBLY AND ASSEMBLY >

11. Release EZ entry cable (1) from recline device (A) and seatback frame (B), then remove the EZ entry cable.

CAUTION:

Note the cable routing for correct installation.

⇐: Front



ASSEMBLY

Assembly is in reverse order of disassembly.

CAUTION:

Make sure to route cables correctly for proper function.

LH SEAT : Seat Slide Release Cable

INFOID:000000011280475

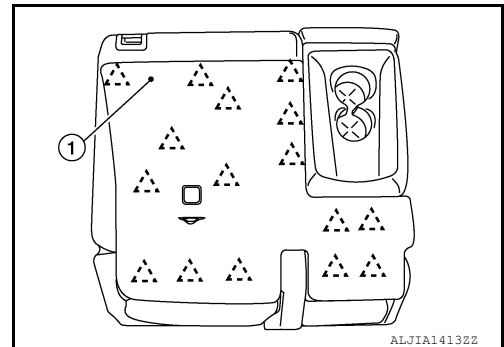
DISASSEMBLY

NOTE:

LH seat shown, RH seat similar.

1. Remove second row seat. Refer to [SE-39. "Removal and Installation"](#).
2. Using a suitable tool release clips and remove seatback board (1).

△: Clip

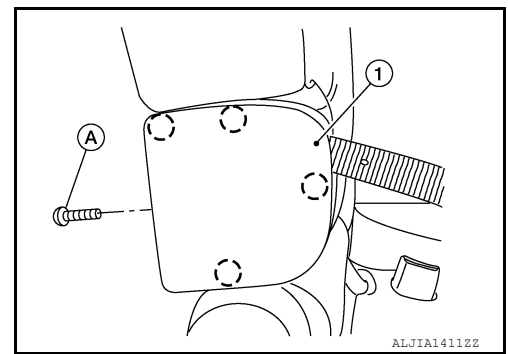


SECOND ROW SEAT

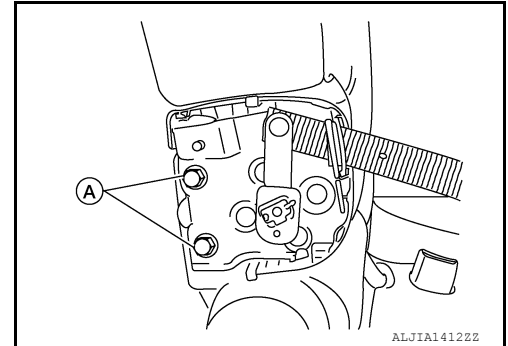
< UNIT DISASSEMBLY AND ASSEMBLY >

3. Remove screw (A), then using a suitable tool release clips and pawls and remove armrest finisher (1).

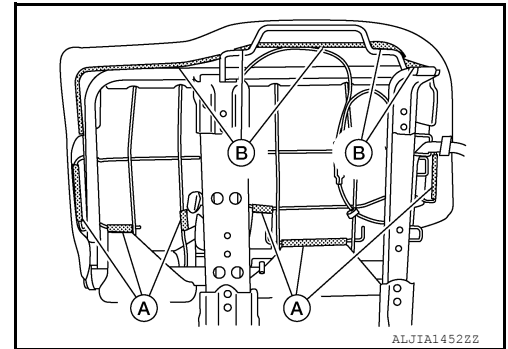
△: Clip
○: Pawl



4. Remove bolts (A) and armrest.



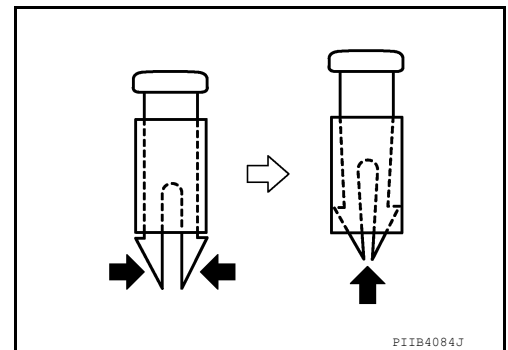
5. Release J-Hooks (A) and fasteners (B), then route seatbelt buckles through seat cushion and remove seat cushion pad and seat cushion trim.



6. Press headrest holder lock button, then lift headrest up and remove.
7. Reach up behind the seatback pad, release the headrest holder locks as shown and remove the headrest holders.

CAUTION:

Before removing/installing headrest holder, check its orientation (front/rear and right/left).

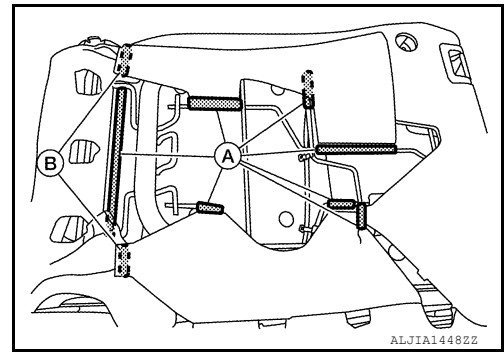


8. Release pawls and remove recline handle finisher.
9. Release pawls and remove seatbelt retractor outer finisher.

SECOND ROW SEAT

< UNIT DISASSEMBLY AND ASSEMBLY >

10. Release J-hooks (A) then release fastener (B) and remove seat-back pad and seatback trim.

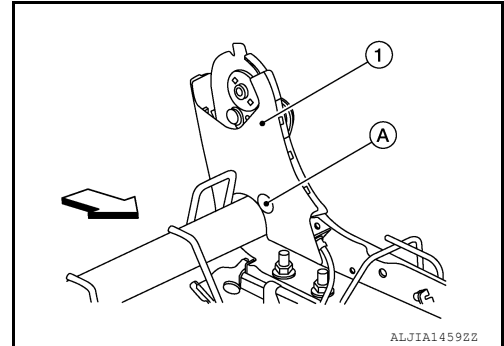


11. Using a suitable tool release clip (A) and remove the seat cushion inner finisher LH (1).

NOTE:

Seatback frame removed for clarity.

⇐: Front

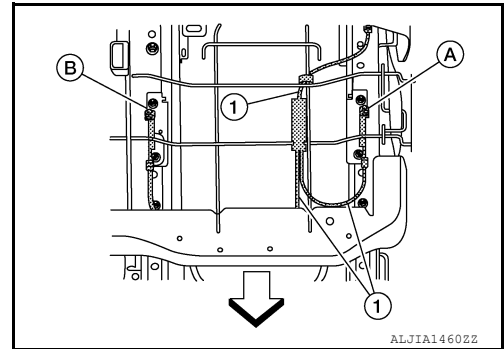


12. Release seat slide release cable (1) ends from both LH side (A) and RH side (B) of seat frame.

CAUTION:

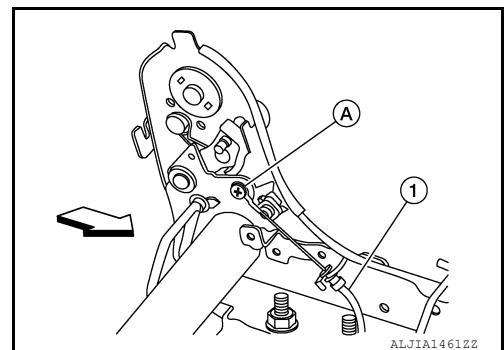
Note the cable routing for correct installation.

⇐: Front



13. Remove screw (A) and unclip seat cushion slide cable (1) from seat cushion frame.

⇐: Front



14. Unclip seat slide release cable clips from seat cushion frame and remove.

ASSEMBLY

Assembly is in reverse order of disassembly.

CAUTION:

Make sure to route cables correctly for proper function.

RH SEAT

RH SEAT : Seatback

DISASSEMBLY

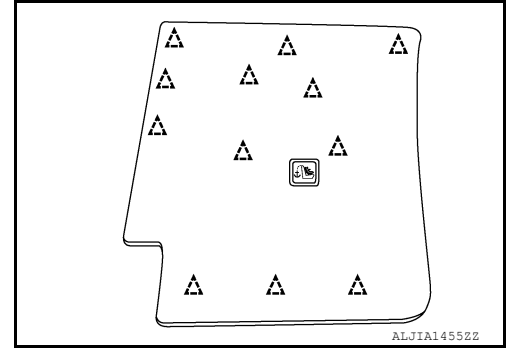
INFOID:000000011280476

SECOND ROW SEAT

< UNIT DISASSEMBLY AND ASSEMBLY >

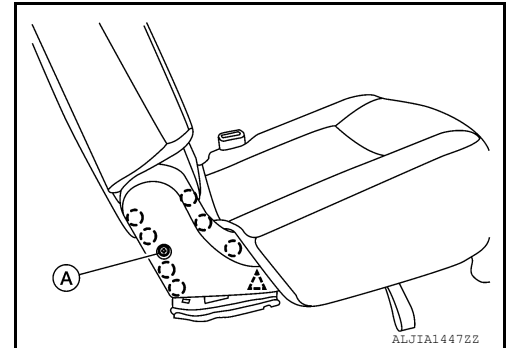
1. Remove second row seat RH. Refer to [SE-39, "Removal and Installation"](#).
2. Using a suitable tool release clips and remove seatback board.

△: Clip



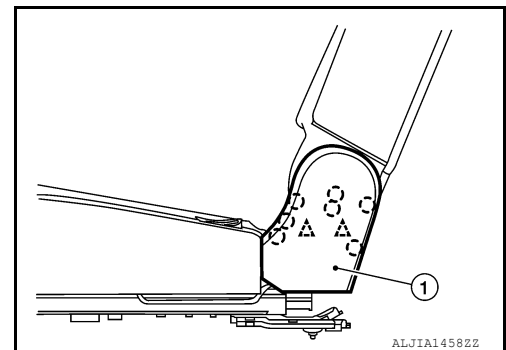
3. Remove screw (A) then using a suitable tool release clips and pawls and remove seat cushion outer finisher (RH).

△: Clip
○: Pawl



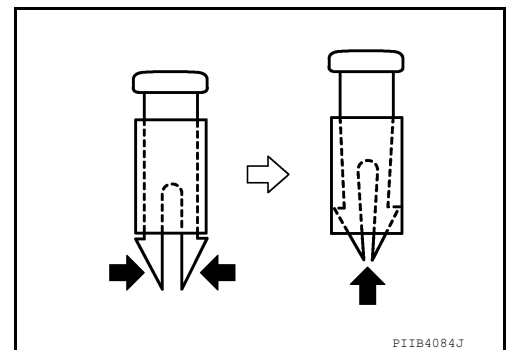
4. Using a suitable tool release clips and pawls and remove seat cushion outer finisher (LH).

△: Clip
○: Pawl



5. Press headrest holder lock button, then lift headrest up and remove.
6. Reach up behind the seatback pad, release the headrest holder locks as shown and remove the headrest holders.

CAUTION:
Before removing/installing headrest holder, check its orientation (front/rear and right/left).



7. Release pawls and remove recline handle finisher.
8. Release J-hooks then release fasteners and remove seatback pad and seatback trim from seatback frame.

SECOND ROW SEAT

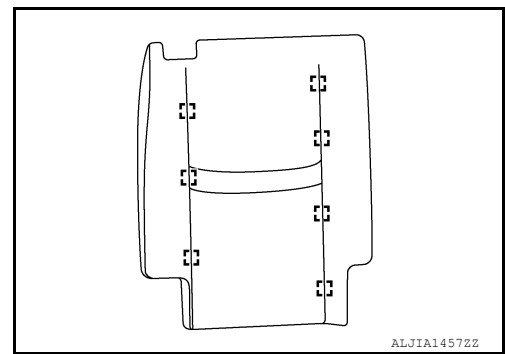
< UNIT DISASSEMBLY AND ASSEMBLY >

9. Remove hog rings, then separate seatback trim from seatback pad.

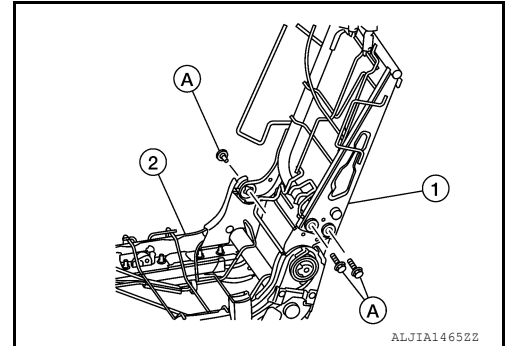
NOTE:

Remove all pieces of hog rings and discard them.

: Hog ring



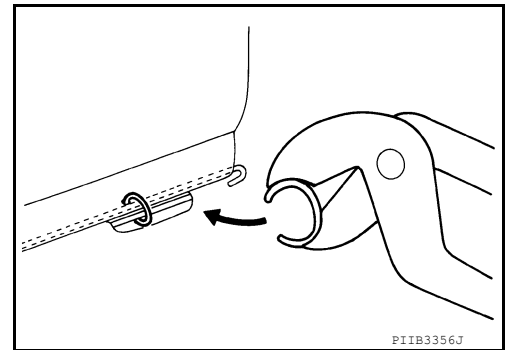
10. Remove bolts (A) and seatback frame (1) from seat cushion frame (2).



ASSEMBLY

Assembly is in the reverse order of disassembly.

- Install new hog rings on the seat cushion trim in original positions.
- Use only one hog ring in each designated location.
- Make sure hog rings are correctly fastened around both the seat cushion trim and seat cushion pad wires.
- Use NISSAN standard hog rings and tools to assemble.
- Smooth out all wrinkles during assembly.

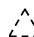


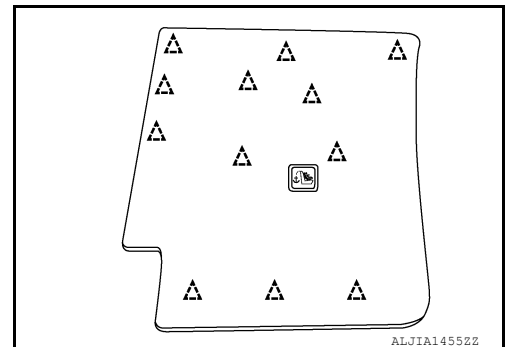
RH SEAT : Seat Cushion

INFOID:000000011280477

DISASSEMBLY

1. Remove second row seat RH. Refer to [SE-39, "Removal and Installation"](#).
2. Using a suitable tool release clips and remove seatback board.

: Clip



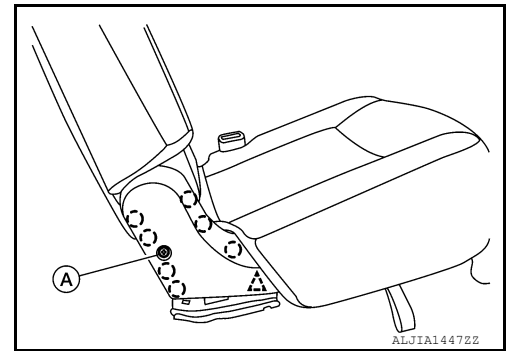
A
B
C
D
E
F
G
H
I
SE
K
L
M
N
O
P

SECOND ROW SEAT

< UNIT DISASSEMBLY AND ASSEMBLY >

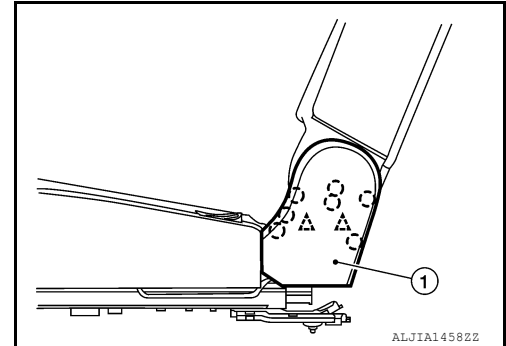
3. Remove screw (A) then using a suitable tool release clip and pawls and remove seat cushion outer finisher (RH).

△: Clip
○: Pawl



4. Using a suitable tool release clips and pawls and remove seat cushion outer finisher (LH) (1).

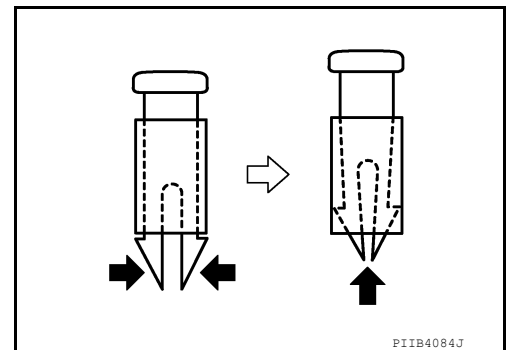
△: Clip
○: Pawl



5. Press headrest holder lock button, then lift headrest up and remove.
6. Reach up behind the seatback pad, release the headrest holder locks as shown and remove the headrest holders.

CAUTION:

Before removing/installing headrest holder, check its orientation (front/rear and right/left).

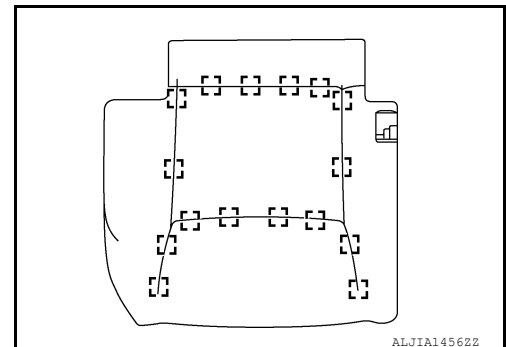


7. Release pawls and remove recline handle finisher.
8. Release J-hooks then release fasteners and remove seatback pad and seatback trim from seatback frame.
9. Route seat belt buckle through seat cushion.
10. Release J-hooks and remove the seat cushion pad and seat cushion trim.
11. Remove hog rings, then separate seat cushion trim from seat cushion pad.

NOTE:

Remove all pieces of hog rings and discard them.

□: Hog ring



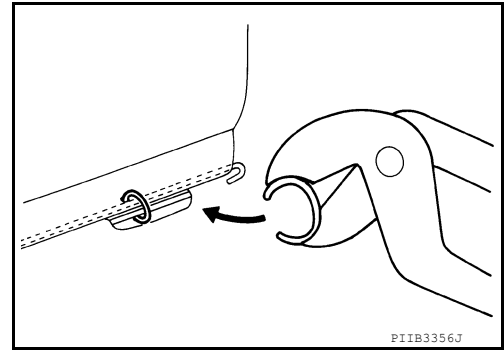
ASSEMBLY

Assembly is in the reverse order of disassembly.

SECOND ROW SEAT

< UNIT DISASSEMBLY AND ASSEMBLY >

- Install new hog rings on the seat cushion trim in original positions.
- Use only one hog ring in each designated location.
- Make sure hog rings are correctly fastened around both the seat cushion trim and seat cushion pad wires.
- Use NISSAN standard hog rings and tools to assemble.
- Smooth out all wrinkles during assembly.



A

B

C

D

E

F

G

H

I

SE

K

L

M

N

O

P

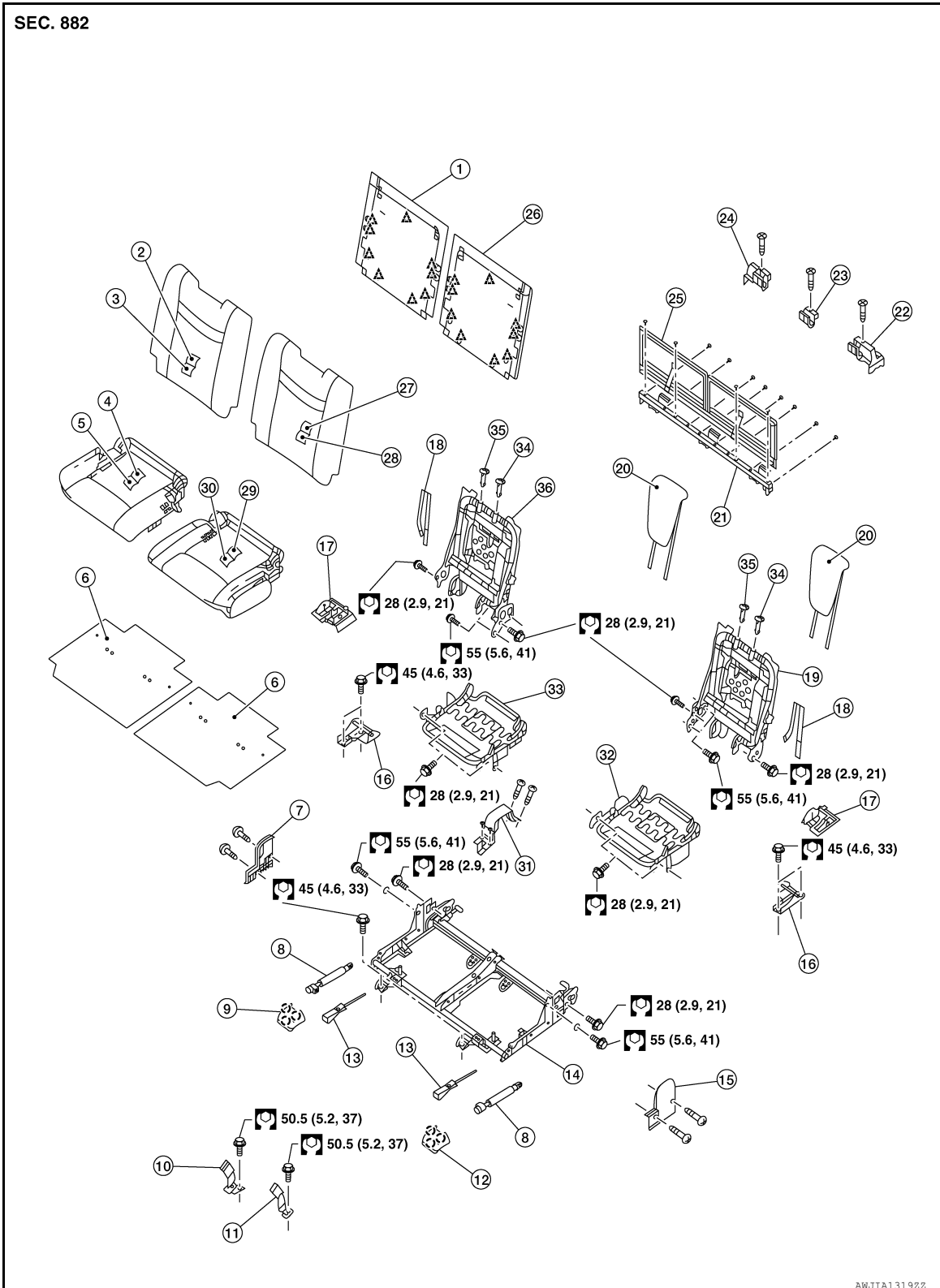
THIRD ROW SEAT

< UNIT DISASSEMBLY AND ASSEMBLY >

THIRD ROW SEAT

Exploded View



INFOID:000000011280478



- | | | |
|-----------------------------|--------------------------|----------------------------------|
| 1. Seatback board (RH) | 2. Seatback trim (RH) | 3. Seatback pad (RH) |
| 4. Seat cushion trim (RH) | 5. Seat cushion pad (RH) | 6. Seat cushion silencer (LH/RH) |
| 7. Seat hinge finisher (RH) | 8. Gas stay | 9. Bolt cover (RH) |

THIRD ROW SEAT

< UNIT DISASSEMBLY AND ASSEMBLY >

- | | | |
|---|---|---|
| 10. Seat belt buckle (RH) | 11. Seat belt buckle (LH) | 12. Bolt cover (LH) |
| 13. Stopper pin | 14. Seat frame support | 15. Seat hinge finisher (LH) |
| 16. Seat striker (LH/RH) | 17. Seat striker finisher (LH/RH) | 18. Seatback pull strap (LH/RH) |
| 19. Seatback frame (LH) | 20. Headrest (LH/RH) | 21. Third row seat cross member |
| 22. Third row seat cross member finisher (LH) | 23. Third row seat cross member finisher (center) | 24. Third row seat cross member finisher (RH) |
| 25. Third row luggage floor | 26. Seatback board (LH) | 27. Seatback trim (LH) |
| 28. Seatback pad (LH) | 29. Seat cushion trim (LH) | 30. Seat cushion pad (LH) |
| 31. Seat frame finisher (center) | 32. Seat cushion frame (LH) | 33. Seat cushion frame (RH) |
| 34. Headrest holder (locked) | 35. Headrest holder (free) | 36. Seatback frame (RH) |
-  Clip
  Pawl

Seatback

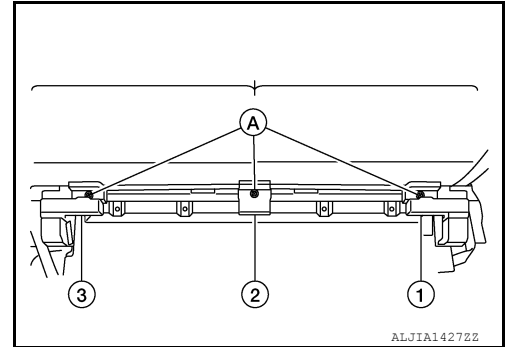
INFOID:000000011280479

DISASSEMBLY

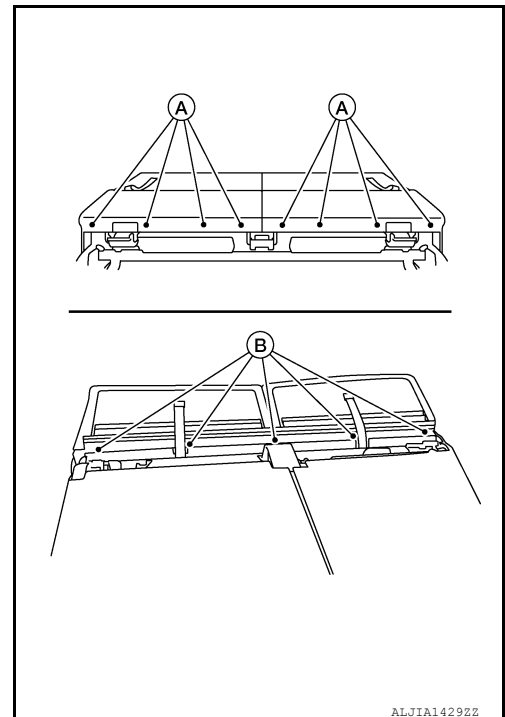
NOTE:

LH shown : RH similar

1. Remove third row seat. Refer to [SE-43, "Removal and Installation"](#).
2. Remove headrest.
3. Remove screws (A) and third row seat cross member finishers (1, 2, 3).



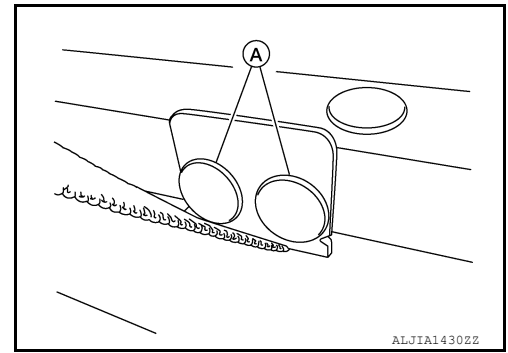
4. Release seatback pull strap stop using a suitable tool.
5. Release third row luggage board outer clips (A) and inner clips (B) using a suitable tool.



THIRD ROW SEAT

< UNIT DISASSEMBLY AND ASSEMBLY >

6. Release third row luggage board retainer strap clips (A) (LH/RH) using a suitable tool and remove third row luggage board.

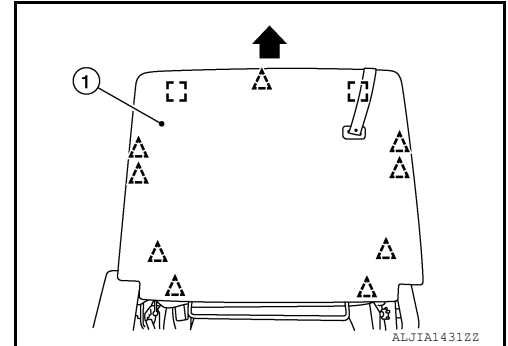


7. Release clips using a suitable tool then gently pull seatback board (1) forward and out and remove as shown (←).

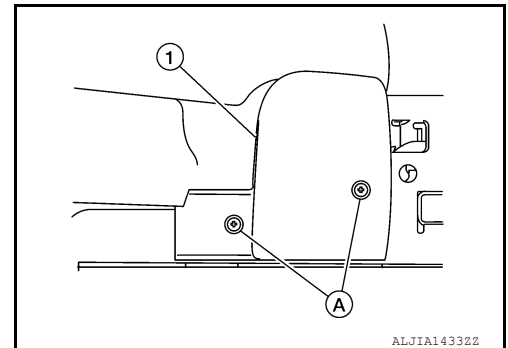
CAUTION:

After removing the seatback board, check the orientation of clips. Improper installation of clips could result in damage to the seatback board.

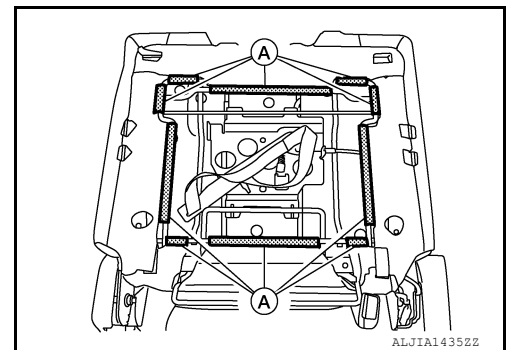
△: Clip



8. Reinstall clips in proper locations on the seatback board.
9. Remove screws (A) and remove seat hinge finisher (1).



10. Release J-hooks from seat frame and remove seatback trim and seatback pad as an assembly.



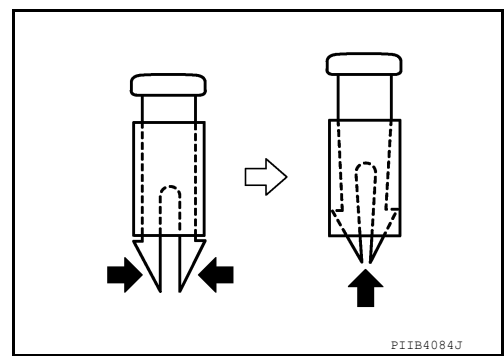
THIRD ROW SEAT

< UNIT DISASSEMBLY AND ASSEMBLY >

11. Reach up behind the seatback pad, release the headrest holder locks as shown and remove the headrest holders.

CAUTION:

Before removing/installing headrest holder, check its orientation (front/rear and right/left).

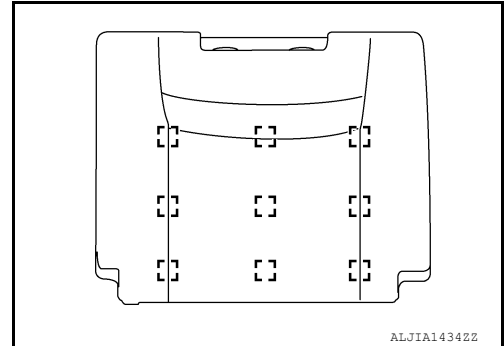


12. Release hook and loop finisher and remove hog rings, then separate seatback trim from seatback pad.

NOTE:

Remove all pieces of hog rings and discard them.

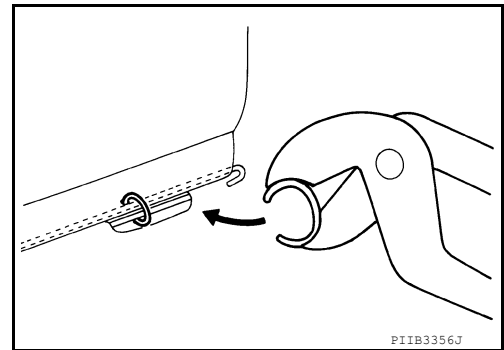
□ : Hog ring



ASSEMBLY

Assembly is in the reverse order of disassembly.

- Install new hog rings on the seatback trim in original positions.
- Use only one hog ring in each designated location.
- Make sure hog rings are correctly fastened around both the seatback trim and seatback pad wires.
- Use NISSAN standard hog rings and tools to assemble.
- Make sure hook fastener is pressed into place after seatback trim is assembled.
- Smooth out all wrinkles during assembly.



Seat Cushion

INFOID:000000011280480

DISASSEMBLY

NOTE:

LH shown, RH similar.

1. Remove third row seat. Refer to [SE-43. "Removal and Installation"](#).
2. Remove third row seat cross member. Refer to [SE-44. "Third Row Seat Cross Member"](#).

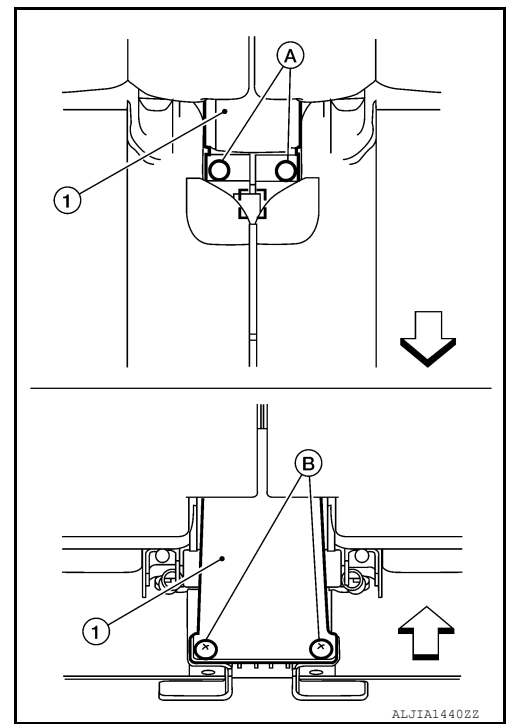
THIRD ROW SEAT

< UNIT DISASSEMBLY AND ASSEMBLY >

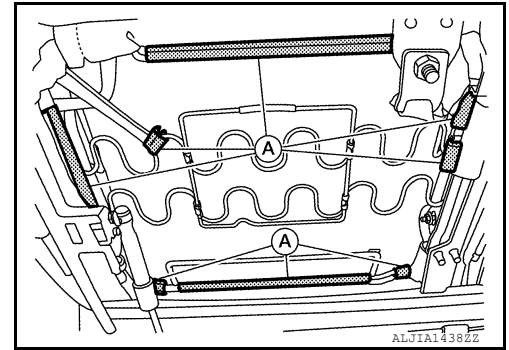
3. Using a suitable tool, release seat cushion trim clips (A) and remove rear screws (B). Then, release metal clip and remove the center seat frame finisher (1).

[]: Metal clip

⇐: Front



4. Release J-hooks (A) from seat frame and remove seat cushion trim and seat cushion pad.



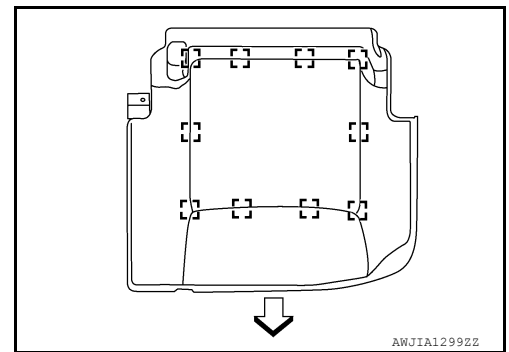
5. Remove hog rings and separate the seat cushion trim from the seat cushion pad.

NOTE:

Remove all pieces of hog rings and discard them.

[]: Hog ring

⇐: Front



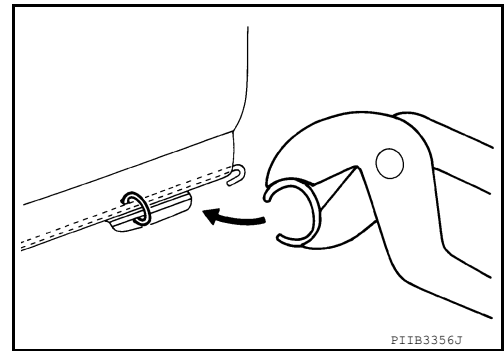
ASSEMBLY

Assembly is in the reverse order of disassembly.

THIRD ROW SEAT

< UNIT DISASSEMBLY AND ASSEMBLY >

- Install new hog rings on the seat cushion trim in original positions.
- Use only one hog ring in each designated location.
- Make sure hog rings are correctly fastened around both the seat cushion trim and seat cushion pad wires.
- Use NISSAN standard hog rings and tools to assemble.
- Make sure hook fastener is pressed into place after seat cushion trim is assembled.
- Smooth out all wrinkles during assembly.



A

B

C

D

E

F

G

H

I

SE

K

L

M

N

O

P