

A  
B  
C  
D  
E  
F  
G  
H  
I  
J  
K  
L  
M  
N  
O  
P

# SECTION **VTL**

## VENTILATION SYSTEM

### CONTENTS

<p><b>PRECAUTION</b> ..... 2</p> <p><b>PRECAUTIONS</b> ..... 2</p> <p style="padding-left: 20px;">Precaution for Supplemental Restraint System (SRS) "AIR BAG" and "SEAT BELT PRE-TENSIONER" .....2</p> <p style="padding-left: 20px;">Procedure without Cowl Top Cover .....2</p> <p style="padding-left: 20px;">Precaution for Work .....2</p> <p><b>PREPARATION</b> ..... 4</p> <p><b>PREPARATION</b> ..... 4</p> <p style="padding-left: 20px;">Special Service Tool .....4</p> <p style="padding-left: 20px;">Commercial Service Tool .....4</p> <p><b>PERIODIC MAINTENANCE</b> ..... 5</p> <p><b>IN-CABIN MICROFILTER</b> ..... 5</p> <p style="padding-left: 20px;">Removal and Installation .....5</p> <p><b>SYSTEM DESCRIPTION</b> ..... 6</p> <p><b>VENTILATION SYSTEM</b> ..... 6</p> <p style="padding-left: 20px;">System Description .....6</p> <p><b>REMOVAL AND INSTALLATION</b> ..... 8</p> <p><b>DUCTS AND GRILLES</b> ..... 8</p> <p style="padding-left: 20px;">Exploded View .....8</p> <p><b>DEFROSTER NOZZLE</b> .....8</p> <p style="padding-left: 20px;">DEFROSTER NOZZLE : Removal and Installation .....8</p> <p><b>SIDE DEFROSTER DUCT</b> .....9</p> <p style="padding-left: 20px;">SIDE DEFROSTER DUCT : Removal and Installation .....9</p> <p><b>CENTER VENTILATOR DUCT</b> .....9</p> <p style="padding-left: 20px;">CENTER VENTILATOR DUCT : Removal and Installation .....9</p>	<p><b>FRONT FOOT DUCT</b> .....10</p> <p style="padding-left: 20px;">FRONT FOOT DUCT : Removal and Installation....10</p> <p><b>FRONT FLOOR DUCT</b> .....10</p> <p style="padding-left: 20px;">FRONT FLOOR DUCT : Removal and Installation</p> <p style="padding-left: 40px;">- Front Floor Connecting Duct .....10</p> <p style="padding-left: 20px;">FRONT FLOOR DUCT : Removal and Installation</p> <p style="padding-left: 40px;">- Front Floor Duct .....11</p> <p><b>ADAPTOR DUCT</b> .....11</p> <p style="padding-left: 20px;">ADAPTOR DUCT : Removal and Installation .....11</p> <p><b>REAR CENTER VENTILATOR DUCT</b> .....11</p> <p style="padding-left: 20px;">REAR CENTER VENTILATOR DUCT : Removal and Installation .....11</p> <p style="padding-left: 20px;">Exploded View .....12</p> <p><b>DEFROSTER GRILLE</b> .....12</p> <p style="padding-left: 20px;">DEFROSTER GRILLE : Removal and Installation...12</p> <p><b>CENTER VENTILATOR GRILLE</b> .....13</p> <p style="padding-left: 20px;">CENTER VENTILATOR GRILLE : Removal and Installation .....13</p> <p><b>SIDE VENTILATOR GRILLE</b> .....13</p> <p style="padding-left: 20px;">SIDE VENTILATOR GRILLE : Removal and Installation .....13</p> <p><b>REAR CENTER VENTILATOR GRILLE</b> .....15</p> <p style="padding-left: 20px;">REAR CENTER VENTILATOR GRILLE : Removal and Installation .....15</p> <p><b>BLOWER MOTOR</b> .....17</p> <p style="padding-left: 20px;">Exploded View .....17</p> <p style="padding-left: 20px;">Removal and Installation .....17</p> <p><b>SERVICE DATA AND SPECIFICATIONS (SDS)</b> .....18</p> <p><b>SERVICE DATA AND SPECIFICATIONS (SDS)</b> .....18</p> <p style="padding-left: 20px;">In-cabin Microfilter .....18</p>
--	---



# PRECAUTIONS

< PRECAUTION >

## PRECAUTION

### PRECAUTIONS

#### Precaution for Supplemental Restraint System (SRS) "AIR BAG" and "SEAT BELT PRE-TENSIONER"

INFOID:000000012424685

The Supplemental Restraint System such as "AIR BAG" and "SEAT BELT PRE-TENSIONER", used along with a front seat belt, helps to reduce the risk or severity of injury to the driver and front passenger for certain types of collision. Information necessary to service the system safely is included in the SR and SB section of this Service Manual.

#### **WARNING:**

- To avoid rendering the SRS inoperative, which could increase the risk of personal injury or death in the event of a collision which would result in air bag inflation, all maintenance must be performed by an authorized NISSAN/INFINITI dealer.
- Improper maintenance, including incorrect removal and installation of the SRS, can lead to personal injury caused by unintentional activation of the system. For removal of Spiral Cable and Air Bag Module, see the SR section.
- Do not use electrical test equipment on any circuit related to the SRS unless instructed to in this Service Manual. SRS wiring harnesses can be identified by yellow and/or orange harnesses or harness connectors.

#### PRECAUTIONS WHEN USING POWER TOOLS (AIR OR ELECTRIC) AND HAMMERS

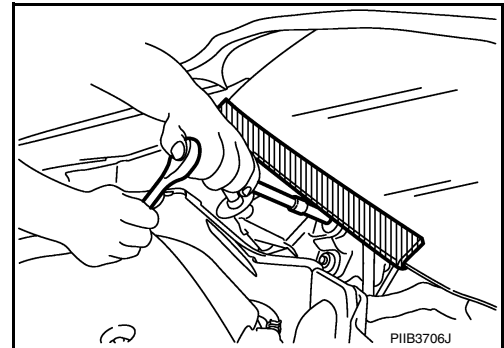
#### **WARNING:**

- When working near the Airbag Diagnosis Sensor Unit or other Airbag System sensors with the Ignition ON or engine running, DO NOT use air or electric power tools or strike near the sensor(s) with a hammer. Heavy vibration could activate the sensor(s) and deploy the air bag(s), possibly causing serious injury.
- When using air or electric power tools or hammers, always switch the Ignition OFF, disconnect the battery and wait at least three minutes before performing any service.

#### Procedure without Cowl Top Cover

INFOID:000000012424686

When performing the procedure after removing cowl top cover, cover the lower end of windshield with urethane, etc. to prevent damage to the windshield.



#### Precaution for Work

INFOID:000000012424687

- When removing or disassembling each component, be careful not to damage or deform it. If a component may be subject to interference, be sure to protect it with a shop cloth.
- When removing (disengaging) components with a screwdriver or similar tool, be sure to wrap the component with a shop cloth or vinyl tape to protect it.
- Protect the removed parts with a shop cloth and prevent them from being dropped.
- Replace a deformed or damaged clip.
- If a part is specified as a non-reusable part, always replace it with a new one.
- Be sure to tighten bolts and nuts securely to the specified torque.
- After installation is complete, be sure to check that each part works properly.
- Follow the steps below to clean components:
  - Water soluble dirt:
    - Dip a soft cloth into lukewarm water, wring the water out of the cloth and wipe the dirty area.
    - Then rub with a soft, dry cloth.
  - Oily dirt:

## PRECAUTIONS

### < PRECAUTION >

- Dip a soft cloth into lukewarm water with mild detergent (concentration: within 2 to 3%) and wipe the dirty area.
- Then dip a cloth into fresh water, wring the water out of the cloth and wipe the detergent off.
- Then rub with a soft, dry cloth.
- Do not use organic solvent such as thinner, benzene, alcohol or gasoline.
- For genuine leather seats, use a genuine leather seat cleaner.

A

B

C

D

E

F

G

H

VTL

J

K

L

M

N

O

P

# PREPARATION

< PREPARATION >

## PREPARATION

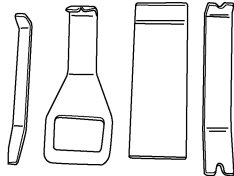
### PREPARATION

#### Special Service Tool

INFOID:000000012424688

The actual shape of tools may differ from those illustrated here.

Tool number (TechMate No.) Tool name	Description
— (J-46534) Trim Tool Set	Removing trim components



AWJIA0483ZZ

#### Commercial Service Tool

INFOID:000000012424689

(TechMate No.) Tool name	Description
( — ) Power Tool	Loosening nuts, screws and bolts



PIIB1407E

# IN-CABIN MICROFILTER

< PERIODIC MAINTENANCE >

## PERIODIC MAINTENANCE

### IN-CABIN MICROFILTER

#### Removal and Installation

INFOID:000000012424690

#### REMOVAL

1. Remove center console side finisher (RH). Refer to [IP-19. "Exploded View"](#).
2. Release the tab and remove the in-cabin microfilter cover (1) from under the RH side of the instrument panel.

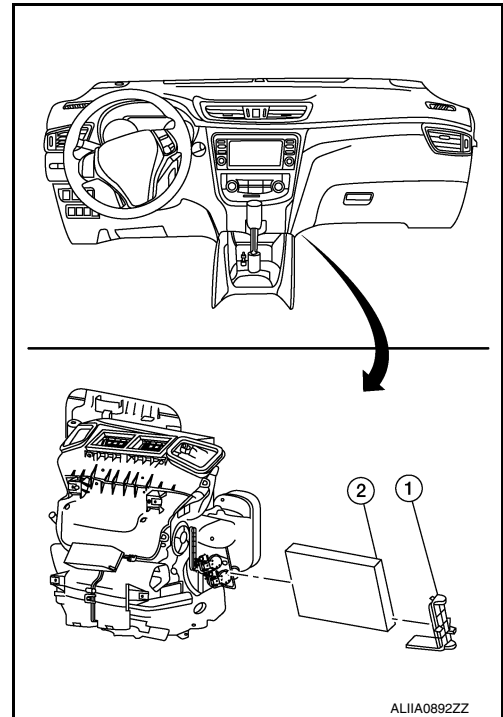
**CAUTION:**

Use care when lifting up on the in-cabin microfilter tab to avoid damaging it.

3. Remove the in-cabin microfilter (2).

**CAUTION:**

If the filter is deformed/damaged when removing, replace it with a new one. A deformed or damaged filter may affect the dust collecting performance.



#### INSTALLATION

Installation is in the reverse order of removal.

**CAUTION:**

When installing, handle the in-cabin microfilter with extreme care to avoid deformation or damage.

A  
B  
C  
D  
E  
F  
G  
H  
VTL  
J  
K  
L  
M  
N  
O  
P

# VENTILATION SYSTEM

< SYSTEM DESCRIPTION >

## SYSTEM DESCRIPTION

### VENTILATION SYSTEM

#### System Description

INFOID:000000012424691

#### OUTLINE

##### Automatic A/C

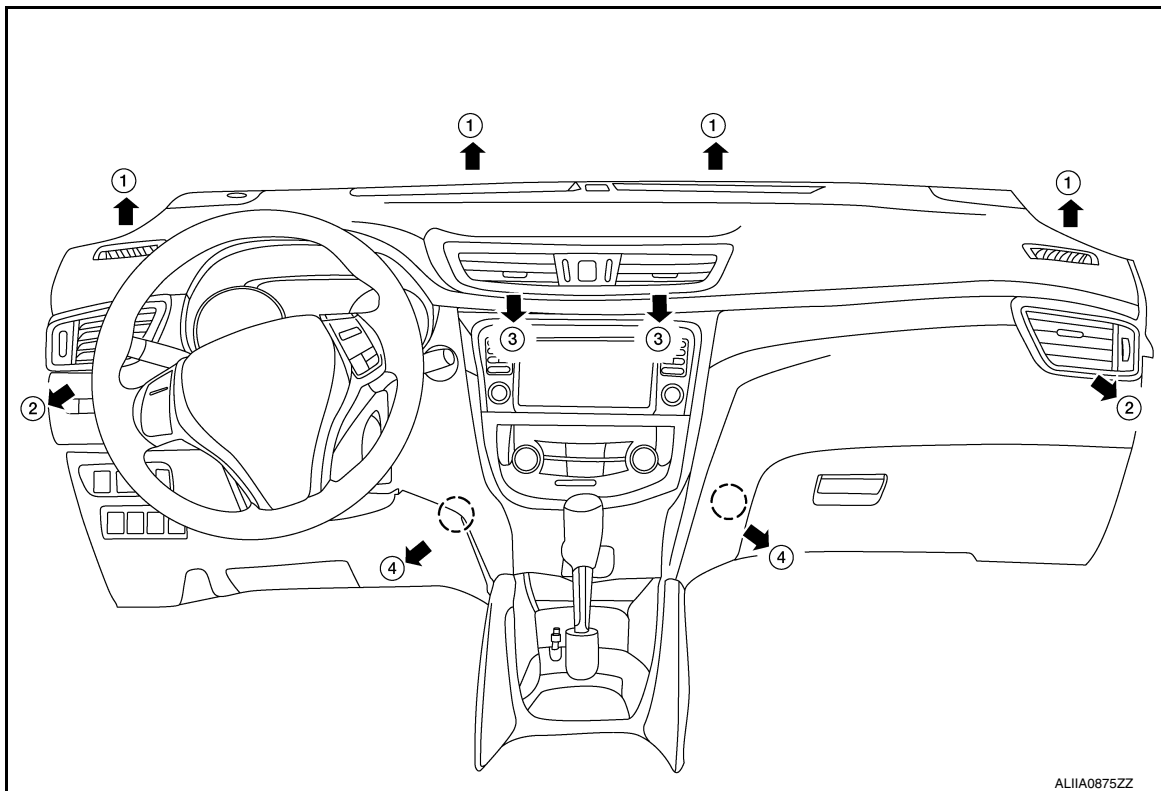
The ventilation system is controlled by the A/C switch assembly. For details of the automatic air conditioner system, refer to [HAC-10. "System Description"](#).

##### Manual A/C

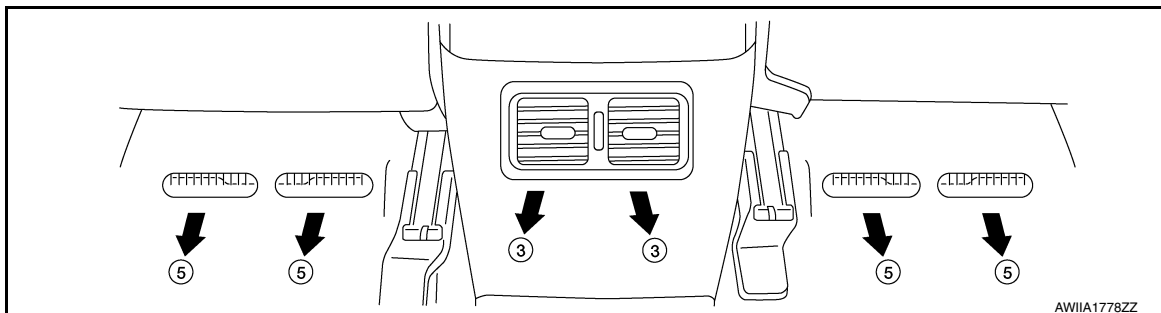
The ventilation system is controlled by the front air control. For details of the manual air conditioner system, refer to [HAC-122. "System Description"](#).

#### AIR FLOW

Front








Rear



# VENTILATION SYSTEM

< SYSTEM DESCRIPTION >

×: Applicable

Discharge air flow						
MODE/DEF setting position	Air outlet/distribution					
	Ventilator			Foot		Defroster (6)
	Front		Rear (3)	Front (4)	Rear (5)	
	Center (1)	Side (2)				
	×	×	×	—	—	—
	×	×	×	×	×	—
	—	×	×	×	×	×
	—	×	×	×	×	×
	—	×	×	—	—	×

A  
B  
C  
D  
E  
F  
G  
H  
J  
K  
L  
M  
N  
O  
P

VTL

# DUCTS AND GRILLES

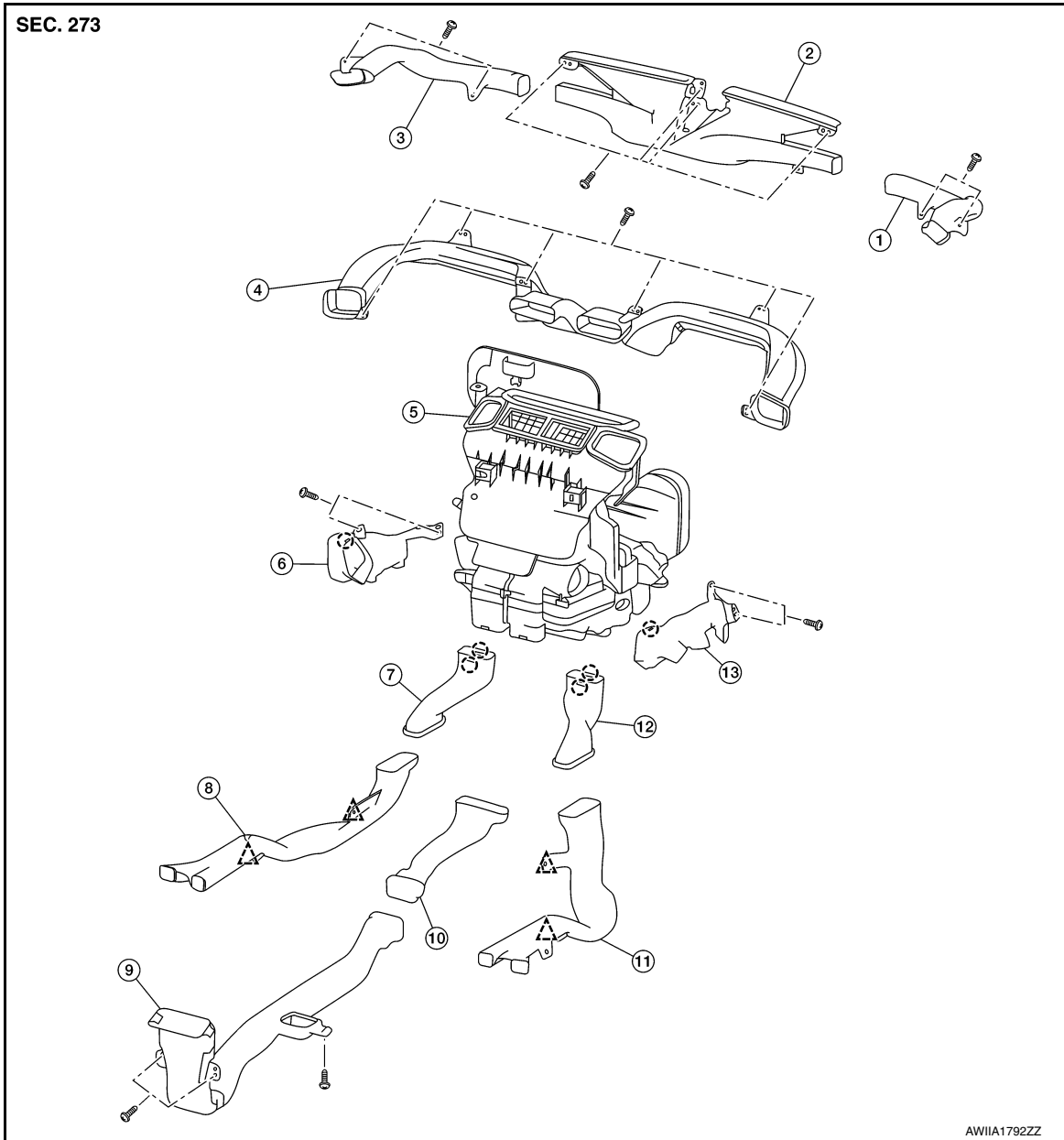
< REMOVAL AND INSTALLATION >

## REMOVAL AND INSTALLATION

### DUCTS AND GRILLES

Exploded View

INFOID:000000012424692



- |                                     |                                      |                                      |
|-------------------------------------|--------------------------------------|--------------------------------------|
| 1. Side defroster duct (RH)         | 2. Defroster nozzle                  | 3. Side defroster duct (LH)          |
| 4. Center ventilator duct           | 5. Heating and cooling unit assembly | 6. Front foot duct (LH)              |
| 7. Front floor connecting duct (LH) | 8. Front floor duct (LH)             | 9. Rear center ventilator duct       |
| 10. Adaptor duct                    | 11. Front floor duct (RH)            | 12. Front floor connecting duct (RH) |
| 13. Front foot duct (RH)            |                                      |                                      |

## DEFROSTER NOZZLE

### DEFROSTER NOZZLE : Removal and Installation

INFOID:000000012424693

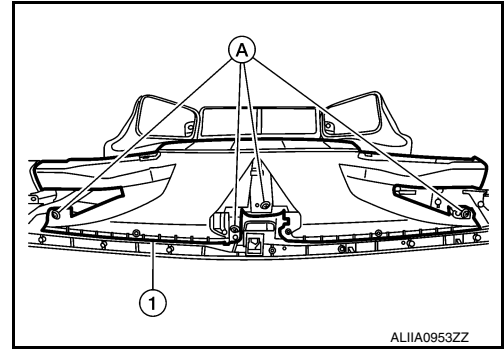
#### REMOVAL



# DUCTS AND GRILLES

## < REMOVAL AND INSTALLATION >

1. Remove side defroster ducts (LH/RH). Refer to [VTL-9. "SIDE DEFROSTER DUCT : Removal and Installation"](#).
2. Remove screws (A) and defroster nozzle (1).



## INSTALLATION

Installation is in the reverse order of removal.

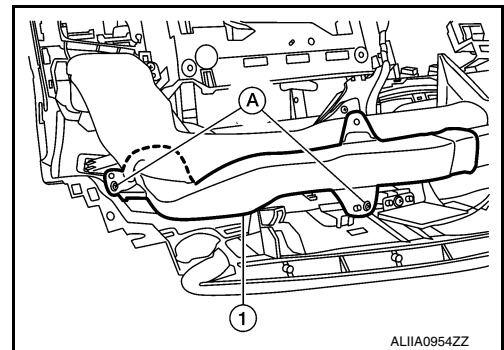
## SIDE DEFROSTER DUCT

### SIDE DEFROSTER DUCT : Removal and Installation

INFOID:000000012424694

## REMOVAL

1. Remove the instrument panel assembly. Refer to [IP-14. "INSTRUMENT PANEL ASSEMBLY : Removal and Installation"](#).
2. Remove the screws (A) and the side defroster duct (LH) (1).  
**NOTE:**  
LH side shown; RH similar.



## INSTALLATION

Installation is in the reverse order of removal.

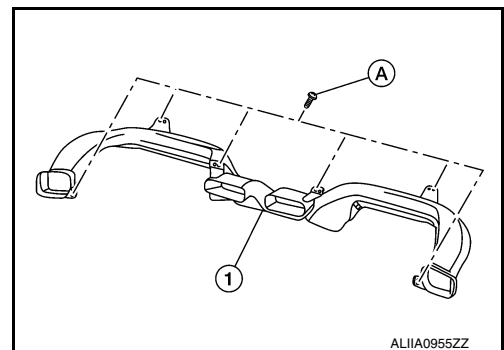
## CENTER VENTILATOR DUCT

### CENTER VENTILATOR DUCT : Removal and Installation

INFOID:000000012424695

## REMOVAL

1. Remove instrument panel assembly. Refer to [IP-14. "INSTRUMENT PANEL ASSEMBLY : Removal and Installation"](#).
2. Remove screws (A) and center ventilator duct (1).



A  
B  
C  
D  
E  
F  
G  
H  
VTL  
J  
K  
L  
M  
N  
O  
P

# DUCTS AND GRILLES

## < REMOVAL AND INSTALLATION >

### INSTALLATION

Installation is in the reverse order of removal.

### FRONT FOOT DUCT

#### FRONT FOOT DUCT : Removal and Installation

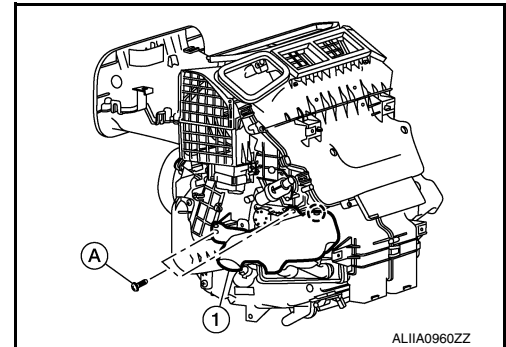
INFOID:000000012424696

### REMOVAL

Front foot duct (LH)

1. Remove instrument lower panel (LH). Refer to [IP-23, "Removal and Installation"](#).
2. Remove center console side finisher (LH). Refer to [IP-19, "Exploded View"](#).
3. Remove front foot duct (LH) screws (A).
4. Release the pawl and remove front foot duct (LH) (1).

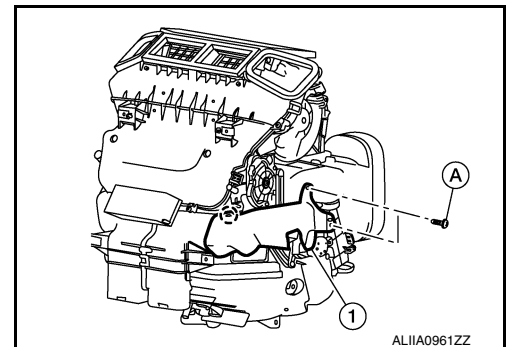
○: Pawl



Front foot duct (RH)

1. Remove glove box assembly. Refer to [IP-24, "Removal and Installation"](#).
2. Remove front foot duct (RH) screws (A).
3. Release the pawl and remove front foot duct (RH) (1).

○: Pawl



### INSTALLATION

Installation is in the reverse order of removal.

### FRONT FLOOR DUCT

#### FRONT FLOOR DUCT : Removal and Installation - Front Floor Connecting Duct

INFOID:000000012424697

### REMOVAL

1. Remove the center console assembly. Refer to [IP-19, "Removal and Installation"](#).

# DUCTS AND GRILLES

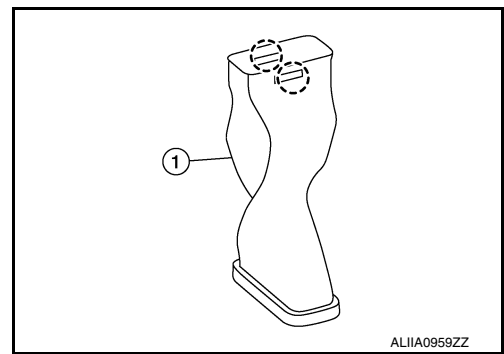
## < REMOVAL AND INSTALLATION >

2. Release the pawls and remove front floor connecting duct (LH) (1).

○: Pawl

### NOTE:

LH side shown; RH similar.



## INSTALLATION

Installation is in the reverse order of removal.

## FRONT FLOOR DUCT : Removal and Installation - Front Floor Duct

INFOID:000000012424698

## REMOVAL

1. Remove front seat (LH or RH). Refer to [SE-32, "DRIVER SIDE : Removal and Installation"](#) (LH) or [SE-35, "PASSENGER SIDE : Removal and Installation"](#) (RH).
2. Remove center console. Refer to [IP-19, "Removal and Installation"](#).
3. Remove dash side finisher. Refer to [INT-24, "DASH SIDE FINISHER : Removal and Installation"](#).
4. Remove front floor connecting duct (LH or RH). Refer to [VTL-10, "FRONT FLOOR DUCT : Removal and Installation - Front Floor Connecting Duct"](#).

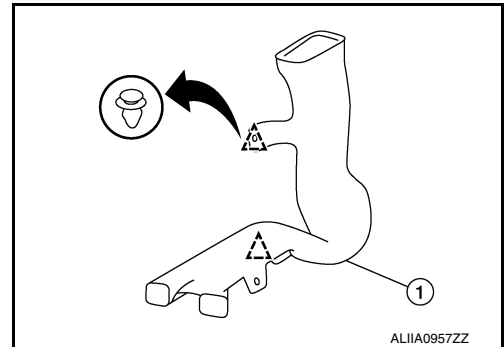
5. Place aside carpet.

6. Release clips using a suitable tool and remove front floor duct (LH) (1).

△: Clip

### NOTE:

RH side shown; LH similar.



## INSTALLATION

Installation is in the reverse order of removal.

## ADAPTOR DUCT

## ADAPTOR DUCT : Removal and Installation

INFOID:000000012424699

## REMOVAL

1. Remove center console assembly. Refer to [IP-19, "Removal and Installation"](#).
2. Remove the adaptor duct.

## INSTALLATION

Installation is in the reverse order of removal.

## REAR CENTER VENTILATOR DUCT

## REAR CENTER VENTILATOR DUCT : Removal and Installation

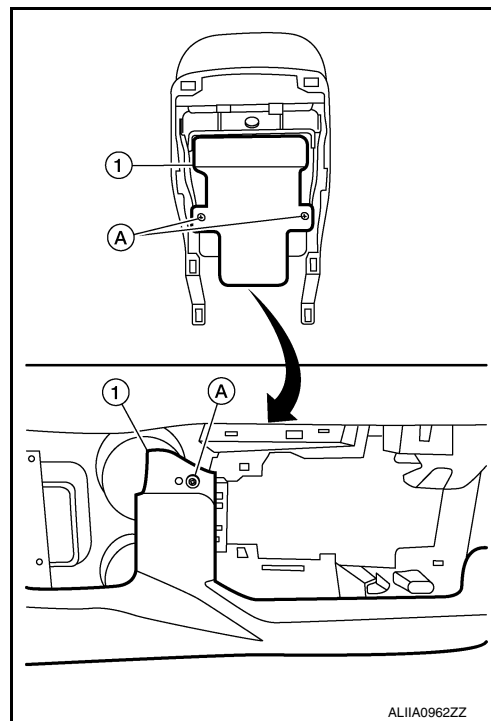
INFOID:000000012424700

## REMOVAL

# DUCTS AND GRILLES

## < REMOVAL AND INSTALLATION >

1. Remove center console assembly. Refer to [IP-19. "Removal and Installation"](#).
2. Remove screws (A) and rear center ventilator duct (1).

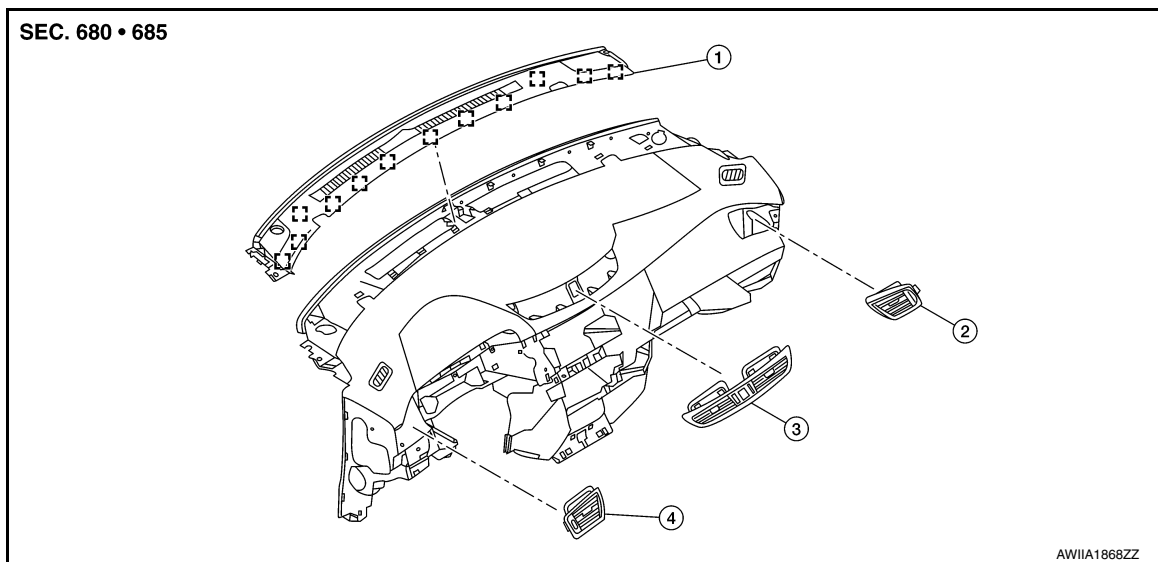


## INSTALLATION

Installation is in the reverse order of removal.

## Exploded View

INFOID:000000012424701



1. Defroster grille
2. Side ventilator grille (RH)
3. Center ventilator grille
4. Side ventilator grille (RH)

## DEFROSTER GRILLE

## DEFROSTER GRILLE : Removal and Installation

INFOID:000000012424702

## REMOVAL

# DUCTS AND GRILLES

## < REMOVAL AND INSTALLATION >

1. Remove front pillar finishers (LH/RH). Refer to [INT-20, "FRONT PILLAR FINISHER : Removal and Installation"](#).
2. Release defroster grille clips using a suitable tool.
3. Remove defroster grille.

### INSTALLATION

Installation is in the reverse order of removal.

## CENTER VENTILATOR GRILLE

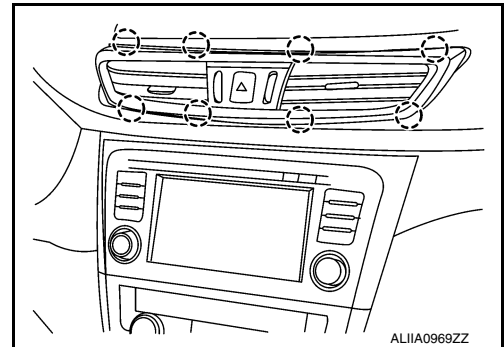
### CENTER VENTILATOR GRILLE : Removal and Installation

INFOID:0000000012424703

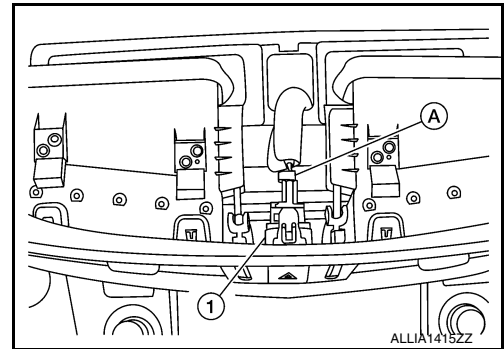
#### REMOVAL

1. Release the pawls using a suitable tool and remove center ventilator grille from instrument panel.

⊖: Pawl



2. Disconnect the harness connector (A) from hazard switch (1).



#### INSTALLATION

Installation is in the reverse order of removal.

## SIDE VENTILATOR GRILLE

### SIDE VENTILATOR GRILLE : Removal and Installation

INFOID:0000000012424704

#### REMOVAL

Side ventilator grille (LH)

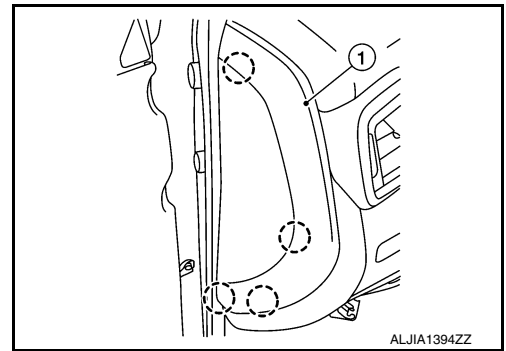
A  
B  
C  
D  
E  
F  
G  
H  
VTL  
J  
K  
L  
M  
N  
O  
P

## DUCTS AND GRILLES

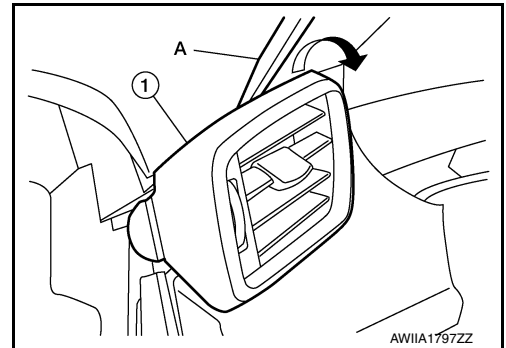
### < REMOVAL AND INSTALLATION >

1. Release the pawls using a suitable tool and remove instrument side finisher (LH) (1).

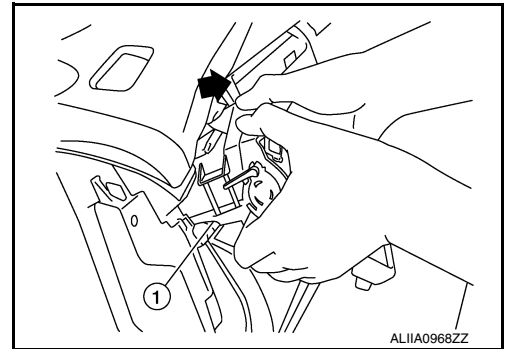
○: Pawl



2. Insert a suitable tool (A) at the top of the side ventilator grille (LH) (1) and release as shown.



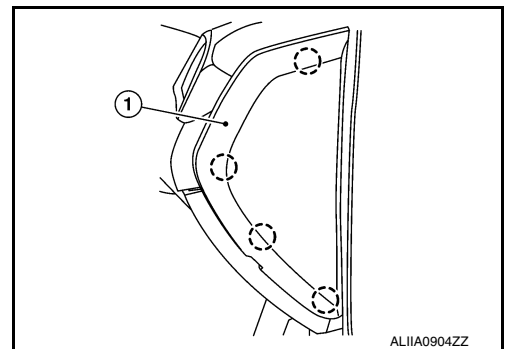
3. Remove side ventilator grille (1) in the direction shown (←).



### Side ventilator grille (RH)

1. Release the pawls using a suitable tool and remove instrument side finisher (1).

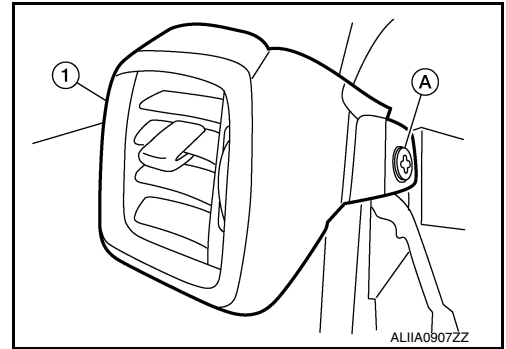
○: Pawl



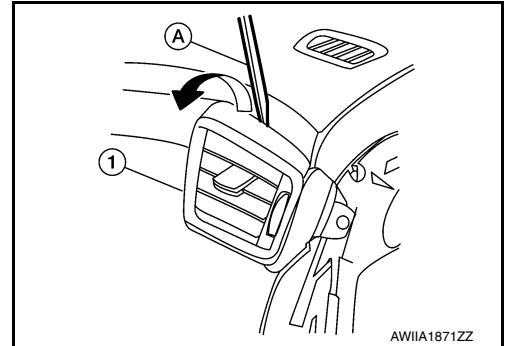
# DUCTS AND GRILLES

## < REMOVAL AND INSTALLATION >

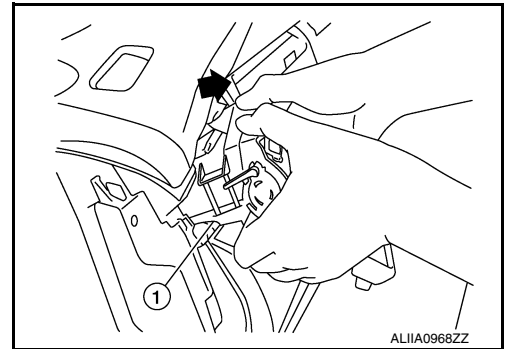
2. Remove side ventilator grille (RH) screw (A).



3. Insert a suitable tool (A) at the top of the side ventilator grille (1) and release as shown.



4. Remove side ventilator grille (1) in the direction shown (←).  
**NOTE:**  
LH side shown; RH side similar.



## INSTALLATION

Installation is in the reverse order of removal.

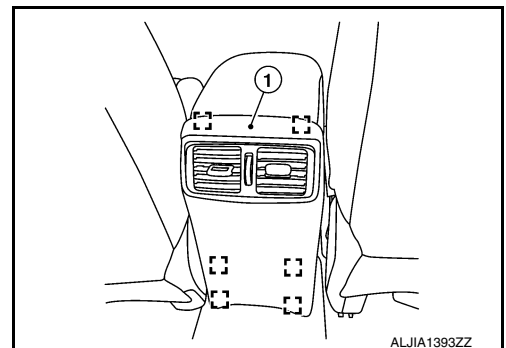
## REAR CENTER VENTILATOR GRILLE

### REAR CENTER VENTILATOR GRILLE : Removal and Installation

INFOID:000000012424705

## REMOVAL

1. Release clips using a suitable tool and remove center console rear finisher (1).  
☐ Metal clip

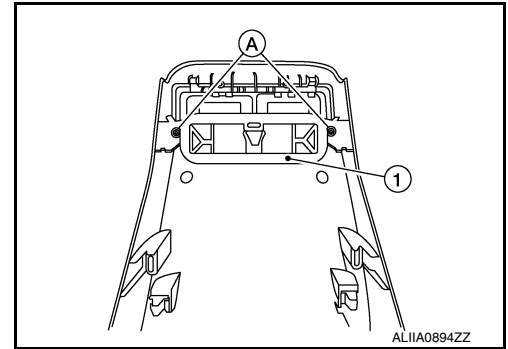


A  
B  
C  
D  
E  
F  
G  
H  
VTL  
J  
K  
L  
M  
N  
O  
P

## DUCTS AND GRILLES

### < REMOVAL AND INSTALLATION >

2. Remove screws (A) and rear center ventilator grille (1).



### INSTALLATION

Installation is in the reverse order of removal.



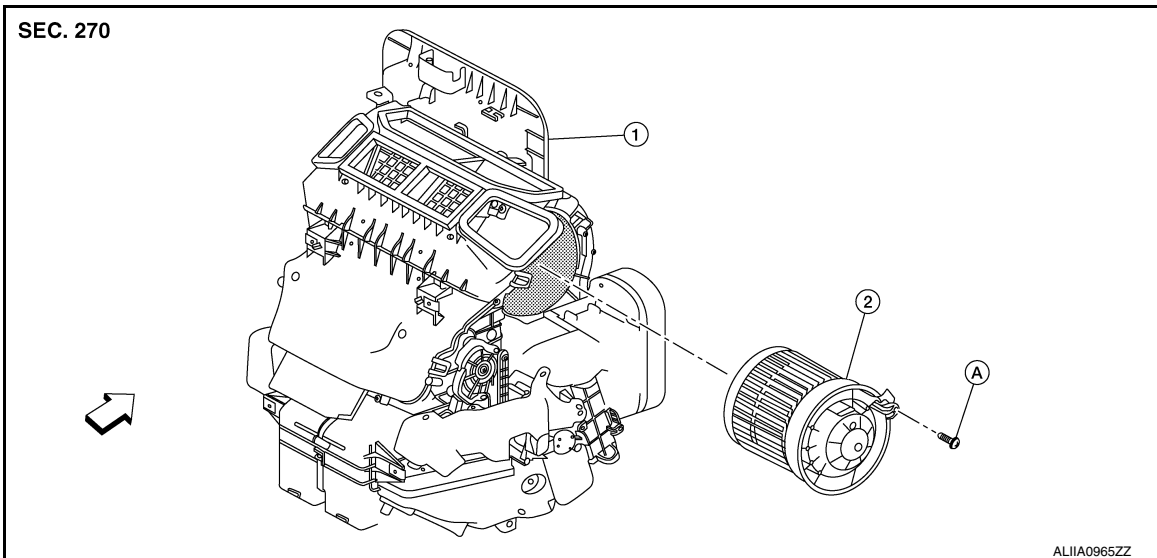
# BLOWER MOTOR

< REMOVAL AND INSTALLATION >

## BLOWER MOTOR

### Exploded View

INFOID:000000012424706



1. Heating and cooling unit assembly 2. Blower motor

A. Screw

↔ Front

### Removal and Installation

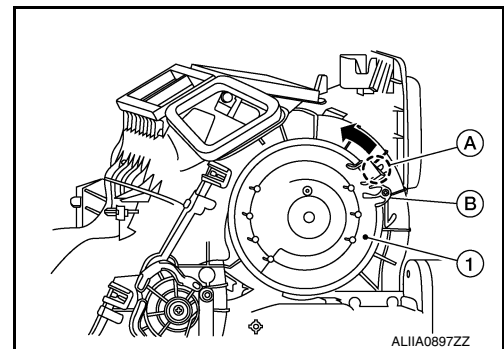
INFOID:000000012424707

VTL

#### REMOVAL

1. Remove glove box assembly and housing. Refer to [IP-24, "Removal and Installation"](#).
2. Remove center console side finisher (LH/RH). Refer to [IP-19, "Exploded View"](#).
3. Disconnect the harness connector from the blower motor.
4. Remove blower motor screw (B).
5. Release hook (A) then rotate the blower motor (1) counterclockwise and remove.

⊖: Hook



#### INSTALLATION

Installation is in the reverse order of removal.

## SERVICE DATA AND SPECIFICATIONS (SDS)

< SERVICE DATA AND SPECIFICATIONS (SDS)

# SERVICE DATA AND SPECIFICATIONS (SDS)

SERVICE DATA AND SPECIFICATIONS (SDS)

In-cabin Microfilter

INFOID:000000012424708

Replacement interval

Refer to [MA-7. "Introduction of Periodic Maintenance"](#).