

SECTION **FL**
FUEL SYSTEM

A
FL
C
D
E
F
G
H
I
J
K
L
M

CONTENTS

FUEL SYSTEM	2	MODEL	7
Checking Fuel Lines	2	FUEL TANK	10
General Precautions	2	Removal and Installation	10
FUEL LEVEL SENSOR UNIT, FUEL FILTER AND		REMOVAL	10
FUEL PUMP ASSEMBLY	3	INSTALLATION	12
Removal and Installation	3	SERVICE DATA AND SPECIFICATIONS (SDS)	13
QG18DE (EXCEPT CALIF. CA MODEL)	3	Standard and Limit	13
QG18DE (CALIF. CA MODEL) AND QR25DE			

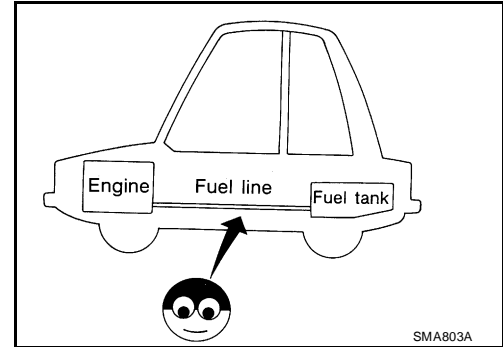
FUEL SYSTEM

PFP:17503

Checking Fuel Lines

EBS0070B

Inspect fuel lines, filler cap and tank for improper attachment, leaks, cracks, damage, loose connections, chafing or deterioration. If necessary, repair or replace faulty parts.



General Precautions

EBS0070C

WARNING:

When replacing fuel line parts, be sure to observe the following:

- Put a "CAUTION: FLAMMABLE" sign in workshop.
- Do not smoke while servicing fuel system. Keep open flames and sparks away from work area.
- Be sure to furnish the workshop with a CO₂ fire extinguisher.

CAUTION:

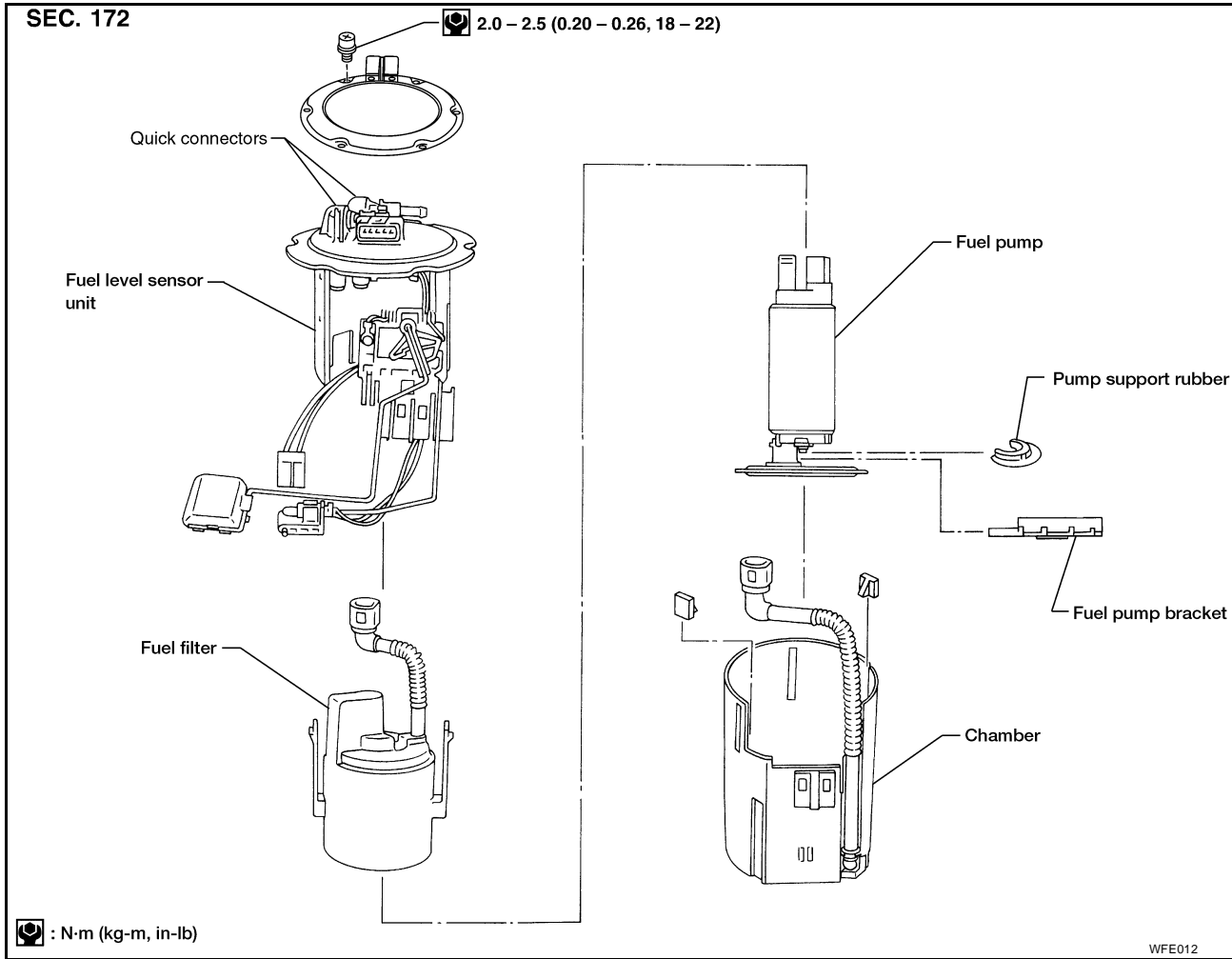
- Before removing fuel line parts, carry out the following procedures:
 - Put drained fuel in an explosion-proof container and put lid on securely.
 - Release fuel pressure from fuel line. Refer to [EC-58, "FUEL PRESSURE RELEASE"](#) [QG18DE (except Calif. CA Model)], [EC-623, "FUEL PRESSURE RELEASE"](#) [QG18DE (Calif. CA Model)], [EC-1255, "FUEL PRESSURE RELEASE"](#) (QR25DE).
 - Disconnect the battery ground cable.
- Always replace O-ring with new ones.
- Do not kink or twist hose and tube while installing.
- Do not tighten hose clamps excessively to avoid damaging hoses.
- After installation, run engine and check for fuel leaks at connections.
- Use only a genuine NISSAN fuel filler cap as a replacement. If an incorrect fuel filler cap is used, the MIL may come on.
- For inspection and installation of EVAP system parts, refer to [EC-33, "System Diagram"](#) [QG18DE (except Calif. CA Model)], [EC-607, "System Diagram"](#) [QG18DE (Calif. CA Model)], [EC-1234, "System Diagram"](#) (QR25DE).
- For inspection and installation of ORVR system parts, refer to [EC-33, "System Diagram"](#) [QG18DE (except Calif. CA Model)], [EC-607, "System Diagram"](#) [QG18DE (Calif. CA Model)], [EC-1234, "System Diagram"](#) (QR25DE).

FUEL LEVEL SENSOR UNIT, FUEL FILTER AND FUEL PUMP ASSEMBLY

FUEL LEVEL SENSOR UNIT, FUEL FILTER AND FUEL PUMP ASSEMBLY PFP:17042

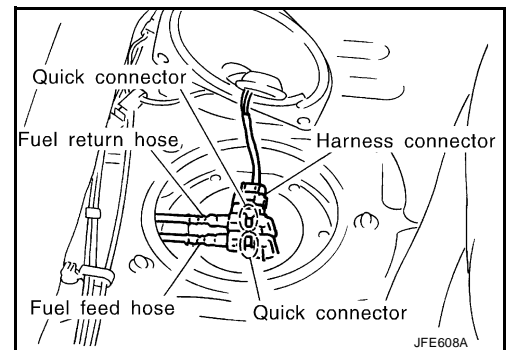
Removal and Installation QG18DE (EXCEPT CALIF. CA MODEL)

EBS0070D



Removal

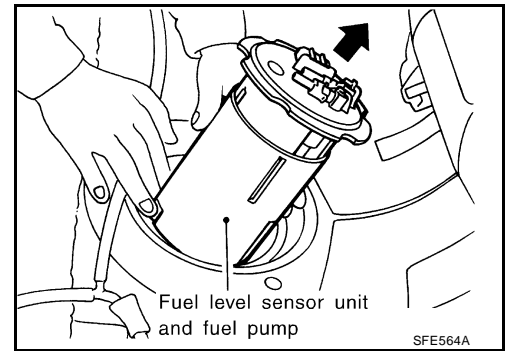
1. Release fuel pressure from fuel line.
Refer to [EC-58, "FUEL PRESSURE RELEASE"](#) [QG18DE (except Calif. CA Model)].
2. Disconnect the battery ground cable.
3. Open the fuel filler lid and filler cap.
4. Remove the rear seat cushion. Refer to [SE-5, "Removal and Installation"](#).
5. Remove the inspection hole cover located under the rear seat.
6. Disconnect the harness connector.
7. Disconnect the quick connectors.
8. Remove the six screws.



FUEL LEVEL SENSOR UNIT, FUEL FILTER AND FUEL PUMP ASSEMBLY

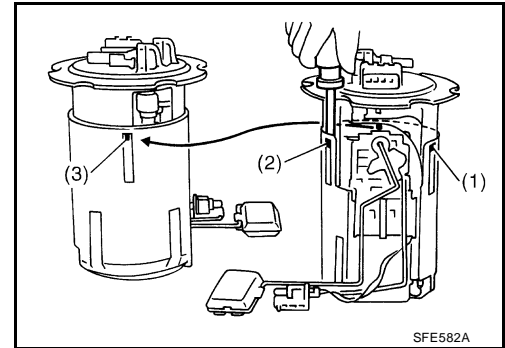
9. Pull out the fuel level sensor unit and fuel pump.

- Do not damage the arm of the fuel level sensor and fuel tank temperature sensor.

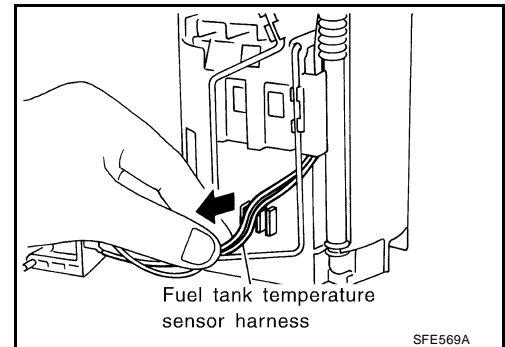


10. Remove the flange of the fuel level sensor unit and fuel pump.

- Using a screwdriver, remove the snap fit portion in the order of (1), (2) and (3) as shown in the figure.

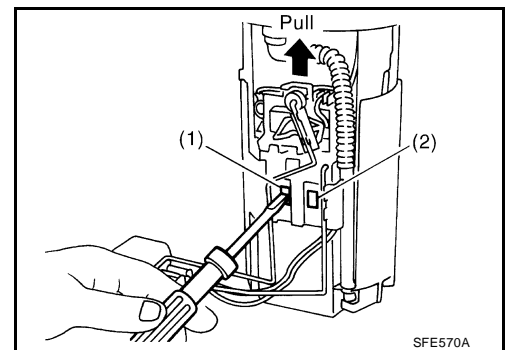


11. Pull out the fuel tank temperature sensor harness.



12. Push the fuel level sensor flange.

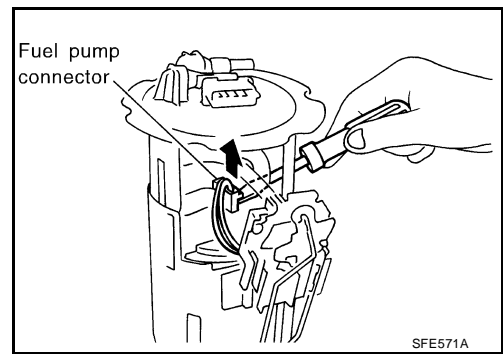
- Using a screwdriver, remove the snap fit portion in the order of (1) and (2) as shown in the figure.



13. Pull up the fuel level sensor.

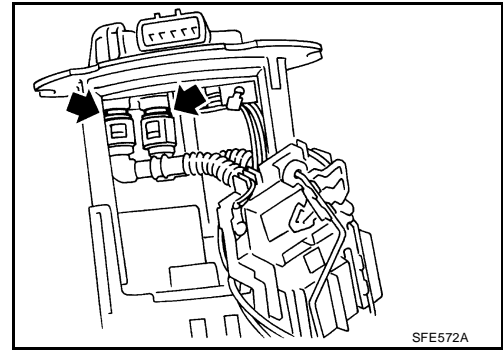
FUEL LEVEL SENSOR UNIT, FUEL FILTER AND FUEL PUMP ASSEMBLY

14. Disconnect the fuel pump connector.

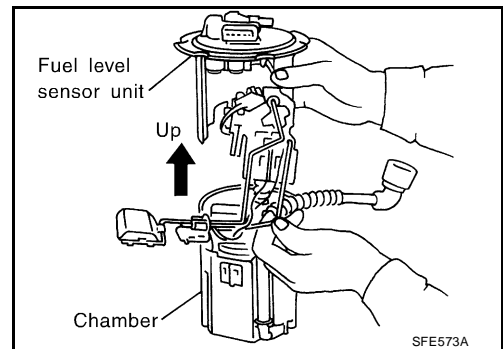


15. Disconnect the quick connectors from fuel level sensor unit.

- Put mating marks on tubes and connectors for correct installation.

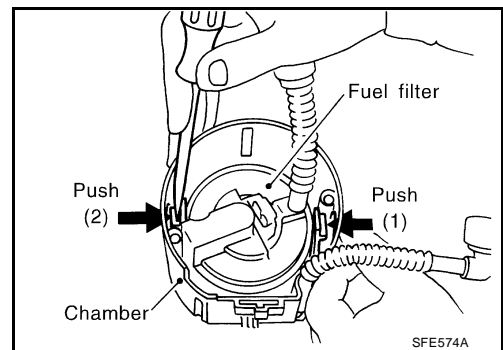


16. Pull up to remove the fuel level sensor unit from the chamber.



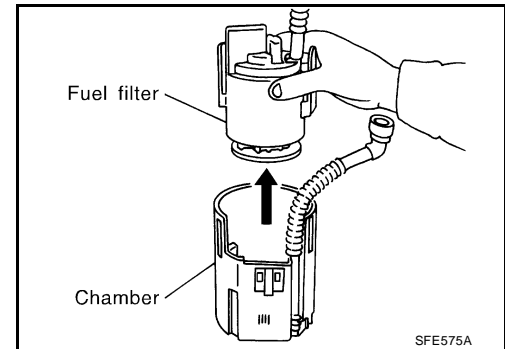
17. Release the fuel filter from the chamber as follows:

- Using a screwdriver, depress the snap fit portion in the order of (1) and (2) as shown in the figure.

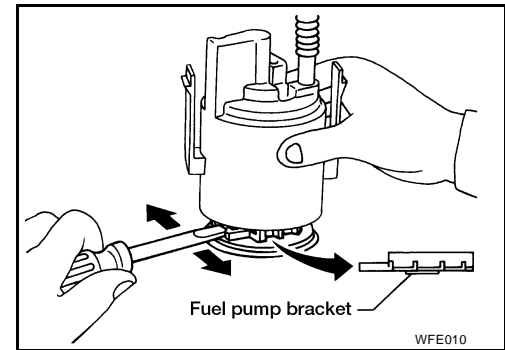


FUEL LEVEL SENSOR UNIT, FUEL FILTER AND FUEL PUMP ASSEMBLY

18. Remove the fuel filter from the chamber.

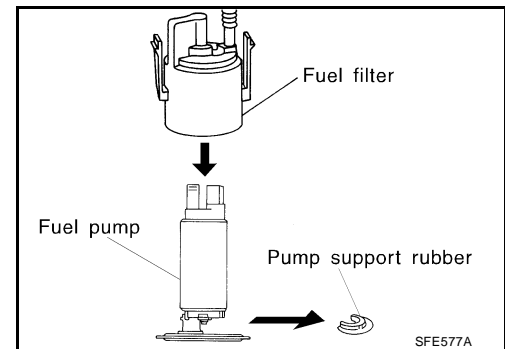


19. Remove the fuel pump bracket, then pull out from the fuel filter.



20. Remove the fuel pump, then push down the fuel pump as shown in the figure.

21. Remove the pump support rubber from the fuel pump.

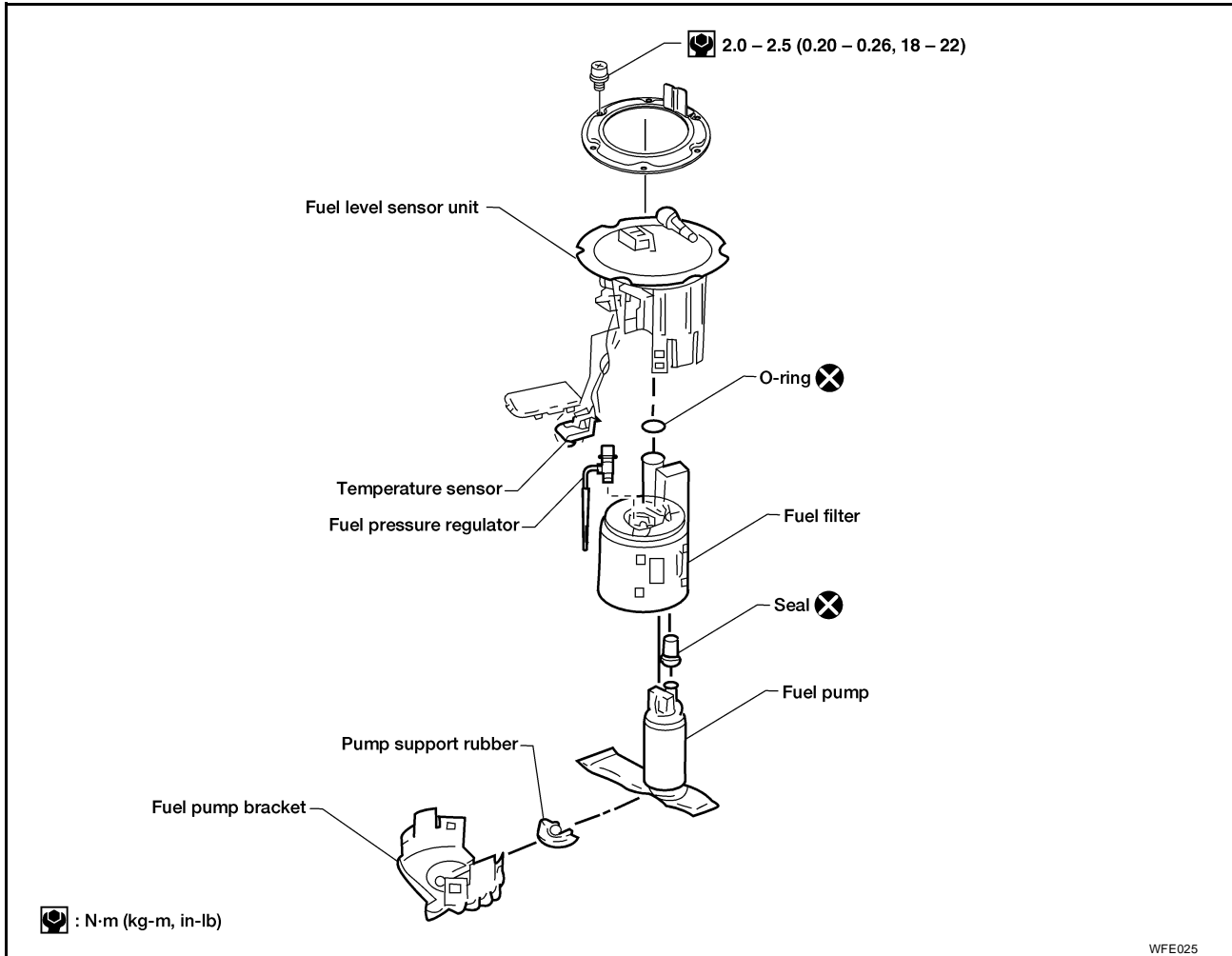


Installation

Installation is in the reverse order of removal.

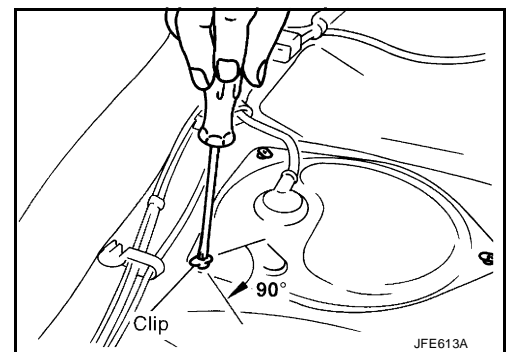
FUEL LEVEL SENSOR UNIT, FUEL FILTER AND FUEL PUMP ASSEMBLY

QG18DE (CALIF. CA MODEL) AND QR25DE MODEL



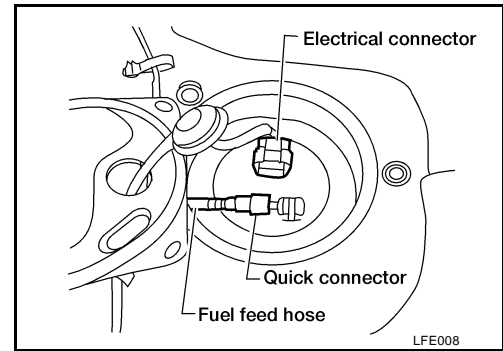
Removal

1. Release fuel pressure from fuel line.
Refer to [EC-623. "FUEL PRESSURE RELEASE"](#) [QG18DE (Calif. CA Model)], [EC-1255. "FUEL PRESSURE RELEASE"](#) (QR25DE Model).
2. Disconnect the battery ground cable.
3. Open the fuel filler lid and filler cap.
4. Remove the rear seat cushion. Refer to [SE-5, "Removal and Installation"](#) .
5. Remove the inspection hole cover located under the rear seat.



FUEL LEVEL SENSOR UNIT, FUEL FILTER AND FUEL PUMP ASSEMBLY

6. Disconnect the electrical connector.

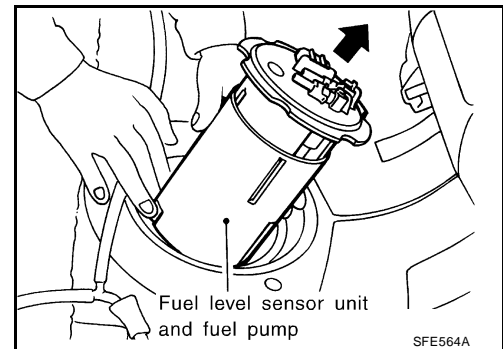


7. Disconnect the quick connector.

8. Remove the six screws.

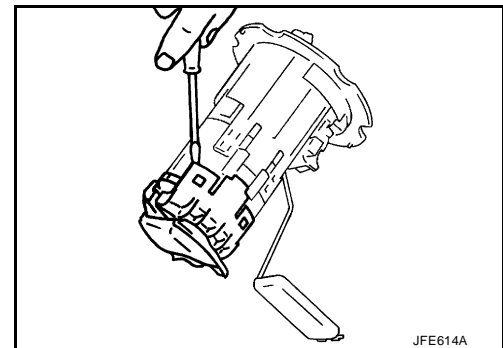
9. Pull up to remove the fuel level sensor unit and fuel pump.

- Do not damage the arm of the fuel level sensor and fuel tank temperature sensor.

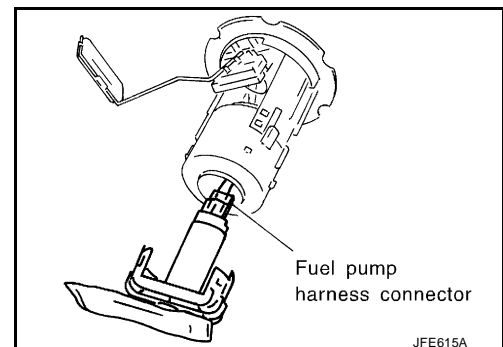


10. Remove the fuel pump as shown in the figure.

- Put mating marks on fuel pump and fuel filter for correct installation.

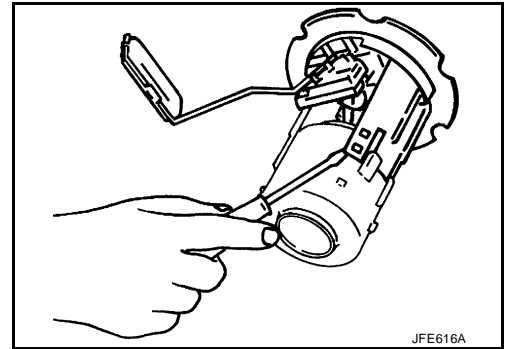


11. Disconnect the fuel pump harness connector.

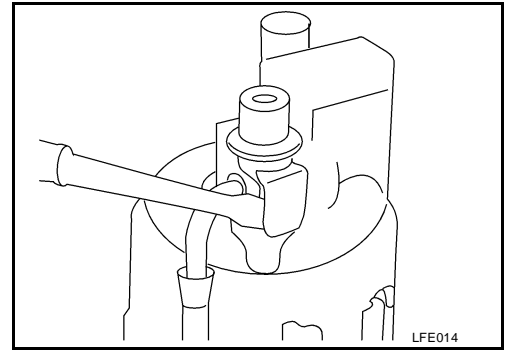


FUEL LEVEL SENSOR UNIT, FUEL FILTER AND FUEL PUMP ASSEMBLY

12. Remove the fuel filter from fuel level sensor unit as shown in the figure.
- Put mating marks on fuel filter and fuel level sensor unit for correct installation.



13. Remove the fuel pressure regulator from fuel filter, if necessary.



Installation

Installation is in reverse order of removal.

A

FL

C

D

E

F

G

H

I

J

K

L

M

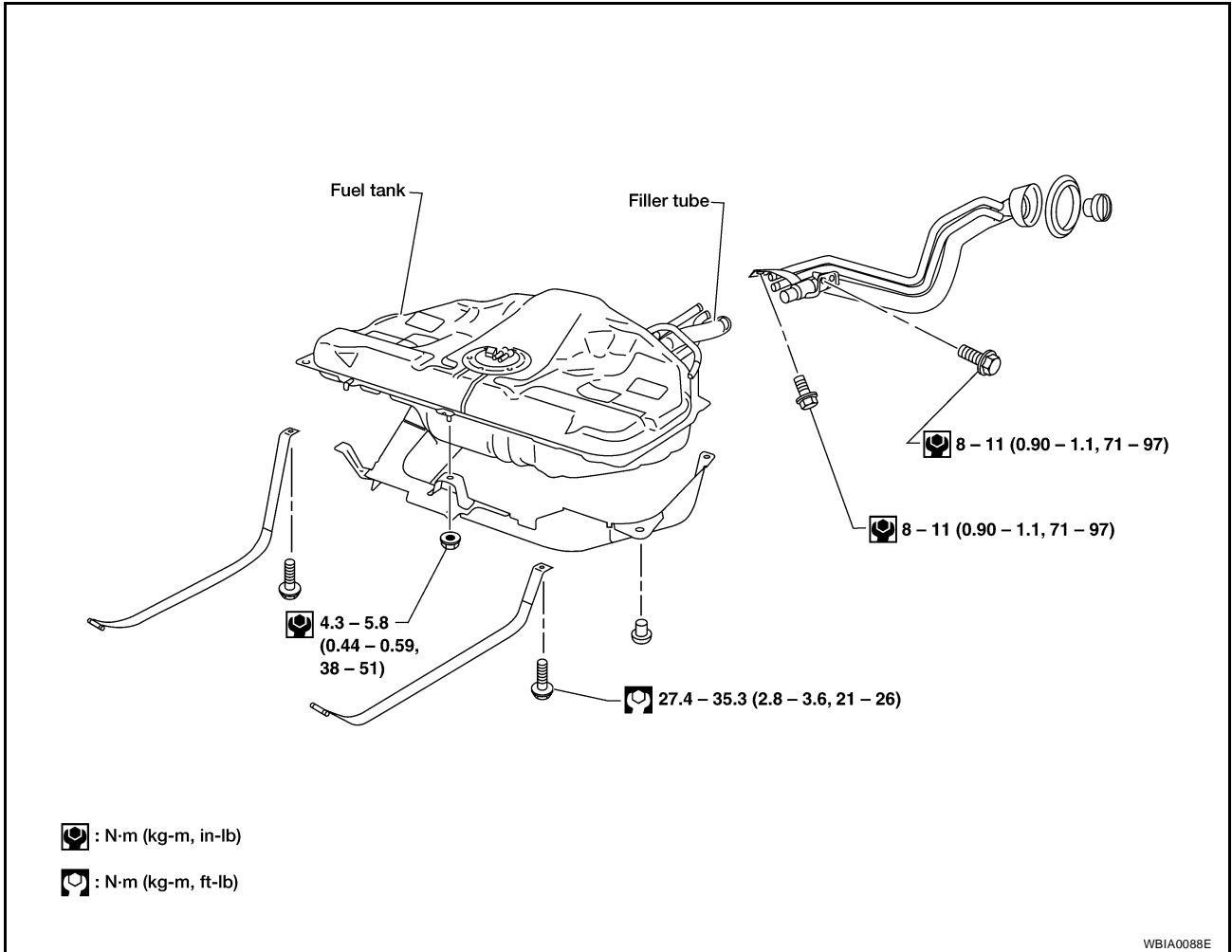
FUEL TANK

FUEL TANK

PF1:17202

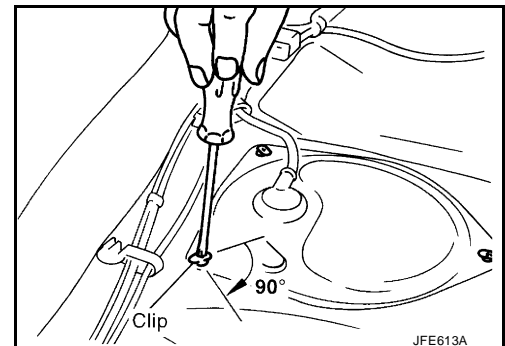
Removal and Installation

EBS0070E



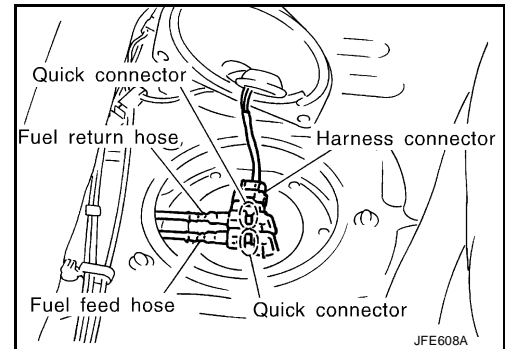
REMOVAL

1. Release fuel pressure from fuel line.
Refer to [EC-58. "FUEL PRESSURE RELEASE"](#) [QG18DE (except Calif. CA Model)], [EC-623. "FUEL PRESSURE RELEASE"](#) [QG18DE (Calif. CA Model)], [EC-1255. "FUEL PRESSURE RELEASE"](#) (QR25DE Model).
2. Disconnect the battery ground cable.
3. Open the fuel filler lid and filler cap.
4. Drain the fuel from fuel tank.
5. Remove the rear seat cushion. Refer to [SE-5, "Removal and Installation"](#) .
6. Remove the inspection hole cover located under rear seat.



FUEL TANK

7. Disconnect the electrical connector.

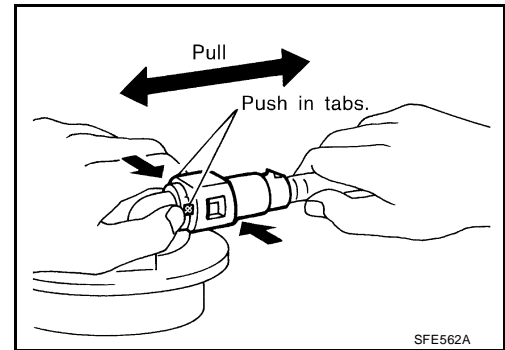


8. Disconnect the quick connector(s) as follows:

- Put mating marks on the tubes and connector(s) for correct installation.
- Hold the sides of the connector, push in tabs, and pull out the tube inserted in the retainer.

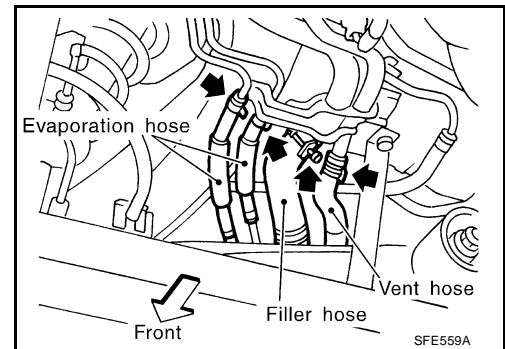
CAUTION:

- The tube can be removed when the tabs are completely depressed. Do not twist it more than necessary.
- Do not use any tools to remove the quick connector.

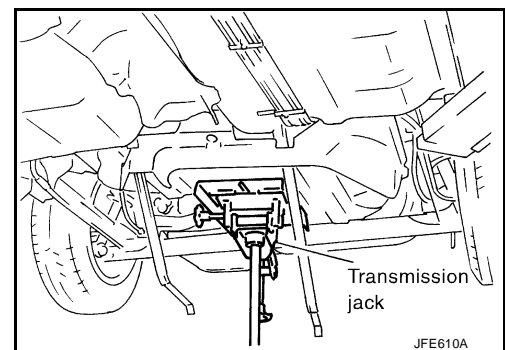


9. Remove the exhaust center tube. Refer to [EX-3, "Removal and Installation"](#).

10. From rear left area of fuel tank, remove filler hose, vent hose and evaporation hose.



11. Set a suitable transmission jack under fuel tank.

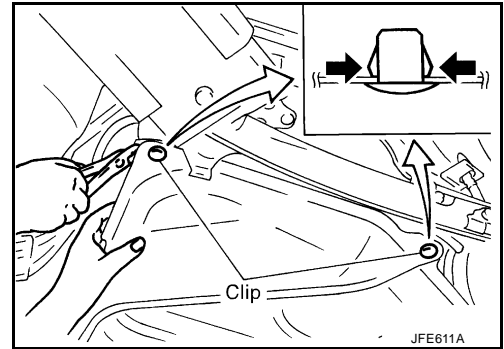


12. Remove fuel tank mounting band bolts while supporting fuel tank.

FUEL TANK

13. Lower the fuel tank by 70 to 80 mm (2.76 to 3.15 in), remove the nuts and clips holding the protector, and then remove the protector.

- To remove the clips, use pliers to squeeze the extensions as shown by the arrows in the figure, and then remove the clip from above.

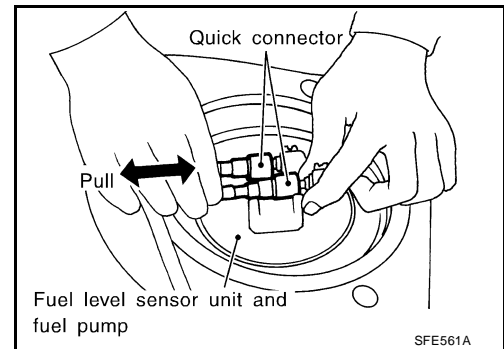
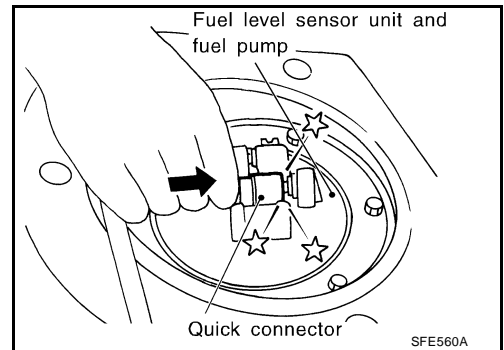


14. Remove fuel tank.

INSTALLATION

To install, reverse the removal procedure. Connect the quick connector(s) as follows:

- Align mating marks on tubes and connector(s) for correct installation.
- Align push in tabs with retainer openings.
- Insert tube into the center of the connector until you hear a click.



After connecting the quick connector, make sure the connection is fully seated using the following method.

- Pull on the fuel tube and connector to make sure they are firmly connected.
- Start the engine, increase engine speed and verify that there are no leaks.

SERVICE DATA AND SPECIFICATIONS (SDS)

SERVICE DATA AND SPECIFICATIONS (SDS)

PFP:00030

Standard and Limit

EBS0070F

Fuel tank capacity	50 ℓ (13.2 gal)
--------------------	-----------------

A

FL

C

D

E

F

G

H

I

J

K

L

M

SERVICE DATA AND SPECIFICATIONS (SDS)
