

SECTION **FL**
FUEL SYSTEM

A
FL
C
D
E
F
G
H
I
J
K
L
M

CONTENTS

| | | | |
|--|---|--|----|
| FUEL SYSTEM | 2 | FUEL TANK | 7 |
| Checking Fuel Lines | 2 | Removal and Installation | 7 |
| General Precautions | 2 | REMOVAL | 7 |
| FUEL LEVEL SENSOR UNIT, FUEL FILTER AND | | INSTALLATION | 9 |
| FUEL PUMP ASSEMBLY | 3 | SERVICE DATA AND SPECIFICATIONS (SDS) | 10 |
| Removal and Installation | 3 | Standard and Limit | 10 |
| REMOVAL | 3 | | |
| INSTALLATION | 6 | | |

FUEL SYSTEM

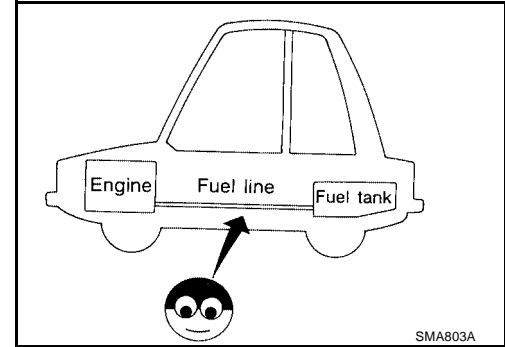
PF17503

Checking Fuel Lines

EBS00DTF

Inspect the fuel lines, filler cap, and fuel tank for incorrect attachment, leaks, cracks, damage, loose connections, chafing, and deterioration.

If necessary, repair or replace the faulty parts.



General Precautions

EBS00DTG

WARNING:

When replacing the fuel line parts, observe the following:

- Place a "CAUTION: INFLAMMABLE" sign in the workshop.
- Do not smoke while servicing the fuel system. Keep open flames and sparks away from the work area.
- Have a CO₂ fire extinguisher in the workshop.

CAUTION:

Before removing the fuel line parts, use the following procedures:

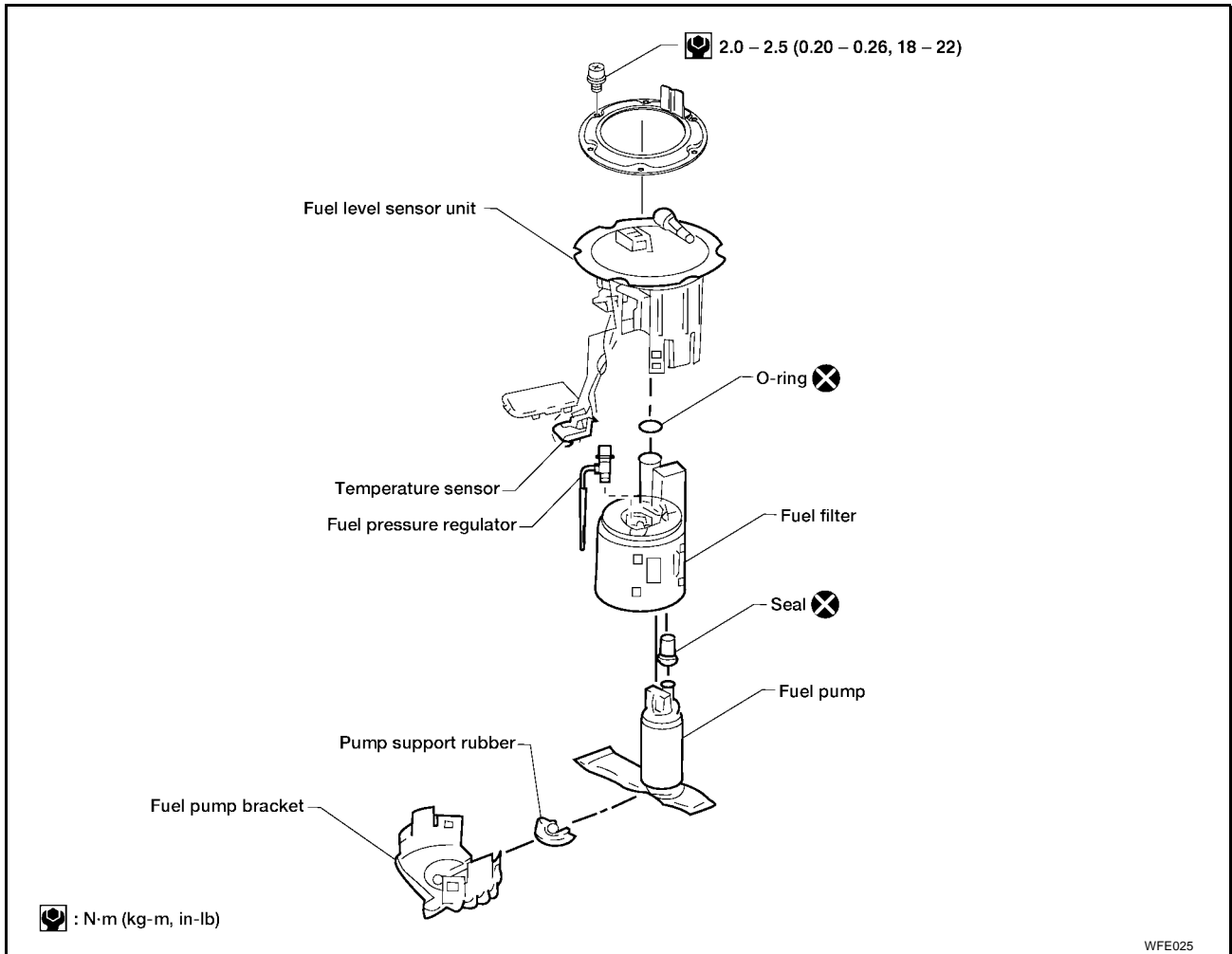
- Store the drained fuel in an explosion-proof container and put the lid on securely.
- Release the fuel pressure from the fuel system. Refer to [EC-49, "FUEL PRESSURE RELEASE"](#) (QG18DE), [EC-687, "FUEL PRESSURE RELEASE"](#) (QR25DE).
- Disconnect the battery ground cable.
- Always replace the O-ring seals with new ones.
- Do not kink or twist any of the hoses and tubes during removal and installation.
- Do not over tighten the hose clamps to avoid damaging the hoses.
- After installation, run the engine and check for fuel leaks at the connections.
- Use only a genuine NISSAN fuel filler cap as a replacement. If an incorrect fuel filler cap is used, the MIL may come on.
- For inspection and installation of EVAP system parts, refer to [EC-622, "EVAPORATIVE EMISSION SYSTEM"](#) (QG18DE), [EC-1305, "EVAPORATIVE EMISSION SYSTEM"](#) (QR25DE).
- For inspection and installation of ORVR system parts, refer to [EC-627, "ON BOARD REFUELING VAPOR RECOVERY \(ORVR\)"](#) (QG18DE), [EC-1312, "ON BOARD REFUELING VAPOR RECOVERY \(ORVR\)"](#) (QR25DE).

FUEL LEVEL SENSOR UNIT, FUEL FILTER AND FUEL PUMP ASSEMBLY

FUEL LEVEL SENSOR UNIT, FUEL FILTER AND FUEL PUMP ASSEMBLY PFP:17042

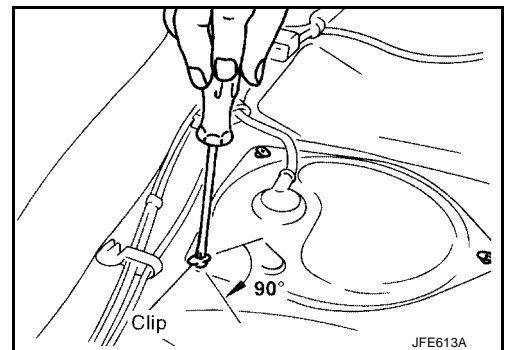
Removal and Installation

EBS00DTH



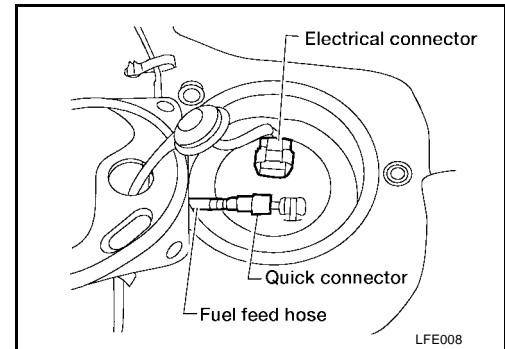
REMOVAL

1. Release the fuel pressure from the fuel system.
Refer to [EC-49. "FUEL PRESSURE RELEASE"](#) (QG18DE), [EC-687. "FUEL PRESSURE RELEASE"](#) (QR25DE).
2. Disconnect the battery ground cable.
3. Open the fuel filler lid and remove the fuel filler cap to relieve the pressure in the fuel tank.
4. Remove the rear seat cushion. Refer to [SE-5. "Removal and Installation"](#).
5. Remove the inspection hole cover located under the rear seat cushion by rotating the attaching clips 90° as shown.



FUEL LEVEL SENSOR UNIT, FUEL FILTER AND FUEL PUMP ASSEMBLY

6. Disconnect the fuel pump assembly electrical connector.

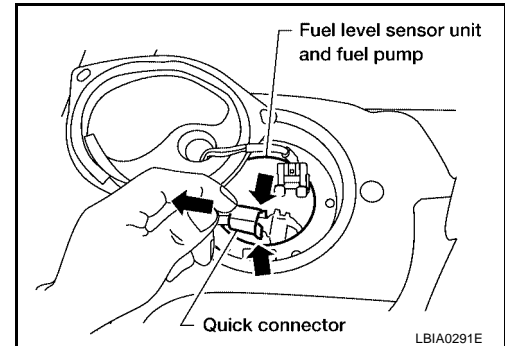


7. Disconnect the fuel feed hose quick connector as follows:

- a. Apply mating marks on the fuel pump outlet and the quick connector for installation.
- b. Hold the quick connector and push in the tabs, then pull out from the fuel pump outlet that is inserted in the quick connector.

CAUTION:

- The quick connector can be removed when the tabs are completely depressed. Do not twist the fuel feed hose more than necessary.
- Do not use any tools to remove the quick connector.

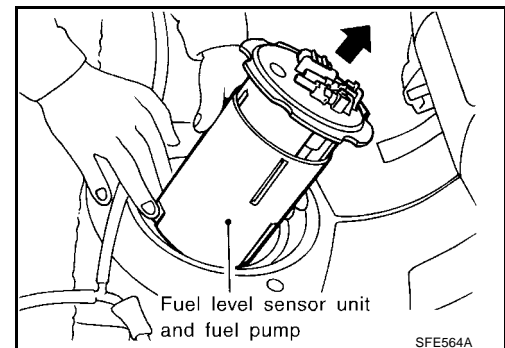


8. Remove the six fuel level sensor and fuel pump assembly retainer ring screws.

9. To remove, pull up on the fuel level sensor and fuel pump assembly as shown.

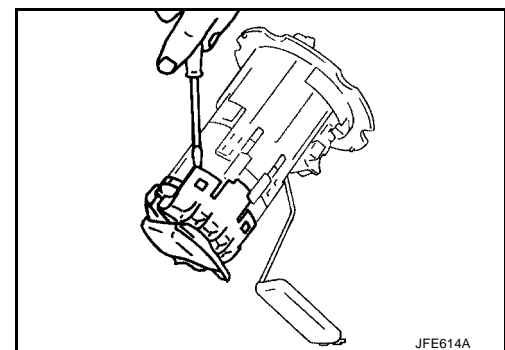
CAUTION:

Do not damage the arm of the fuel level sensor and fuel tank temperature sensor when removing.



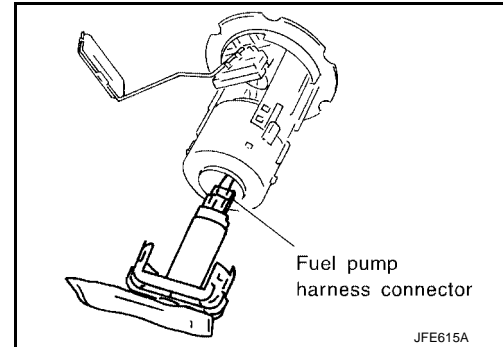
10. Remove the fuel pump by gently releasing the tabs using a suitable tool as shown.

- Apply mating marks on the fuel pump and fuel filter for proper alignment for installation.



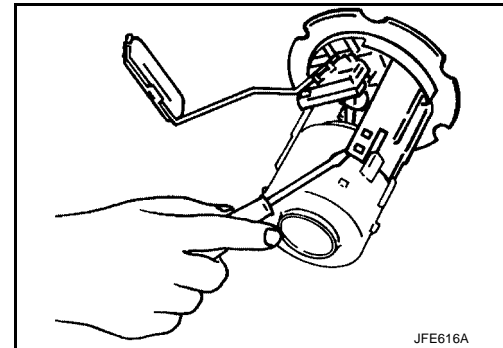
FUEL LEVEL SENSOR UNIT, FUEL FILTER AND FUEL PUMP ASSEMBLY

11. Disconnect the fuel pump harness connector as shown.

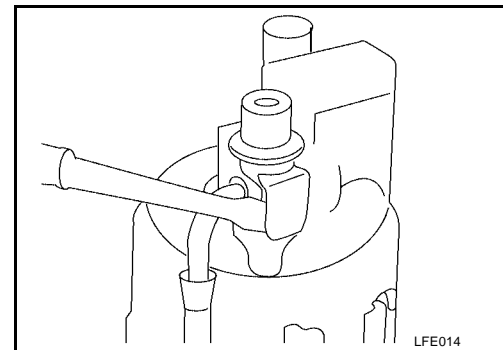


12. Remove the fuel filter from fuel level sensor unit by gently releasing the tabs using a suitable tool as shown.

- Apply mating marks on fuel filter and fuel level sensor unit for proper alignment for installation.



13. Remove the fuel pressure regulator from the fuel filter by pulling off the retaining clip using a suitable tool as shown.



A

FL

C

D

E

F

G

H

I

J

K

L

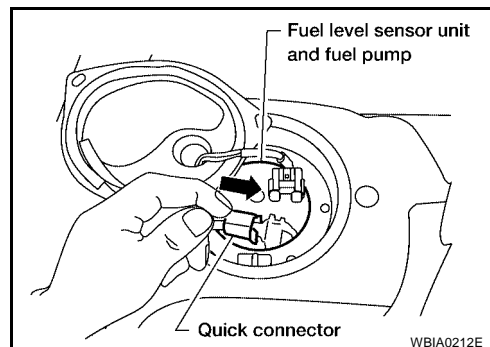
M

FUEL LEVEL SENSOR UNIT, FUEL FILTER AND FUEL PUMP ASSEMBLY

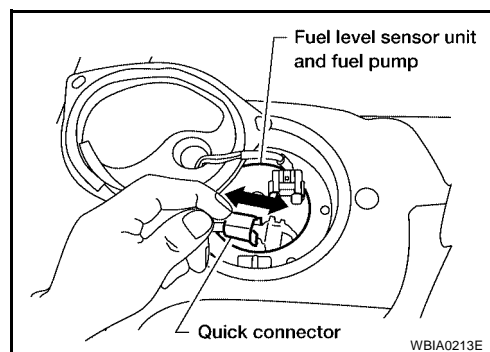
INSTALLATION

Installation is in reverse order of removal.

- Connect the quick connector in the order as follows:
 - Align the mating marks on the fuel pump outlet and quick connector for installation.
 - Align the push tabs with the quick connector slots.
 - Insert the fuel pump outlet into the center of the quick connector until you hear a click.



- After connecting the quick connector, make sure the connection is fully seated in the order as follows:
 - Pull on the quick connector to make sure it is firmly connected.
 - Apply fuel pressure to the fuel lines by turning the ignition switch ON (without starting the engine). Then check for fuel leaks at the connections
 - Start the engine and increase the engine speed, verify there are no fuel leaks.



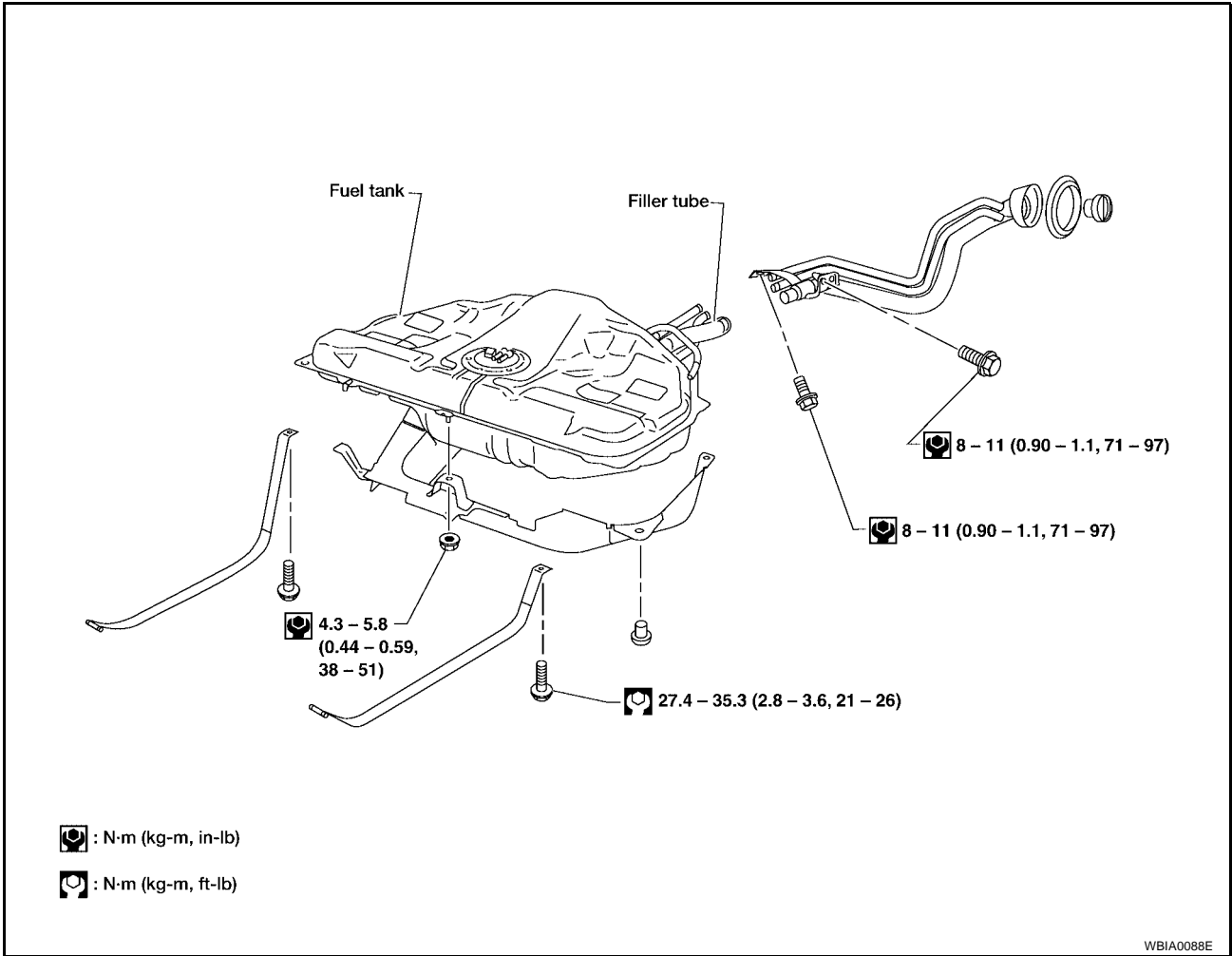
FUEL TANK

PF17202

EBS00DT1

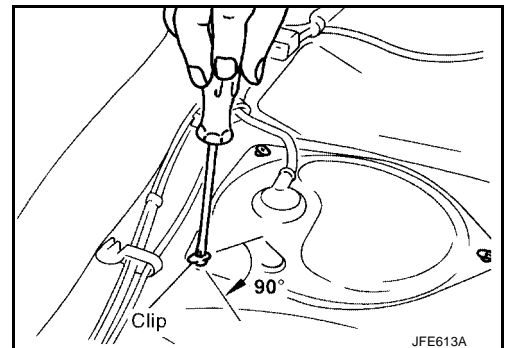
FUEL TANK

Removal and Installation



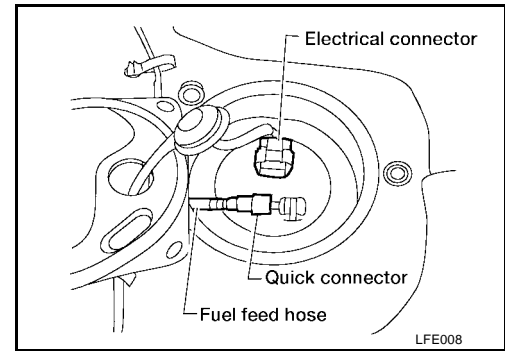
REMOVAL

1. Release the fuel pressure from the fuel system.
Refer to [EC-49. "FUEL PRESSURE RELEASE"](#) (QG18DE), [EC-687. "FUEL PRESSURE RELEASE"](#) (QR25DE).
2. Disconnect the battery ground cable.
3. Open the fuel filler lid and remove the filler cap to relieve the pressure in the fuel tank.
4. Drain the fuel from the fuel tank. Refer to [FL-2. "General Precautions"](#).
5. Remove the rear seat cushion. Refer to [SE-5. "Removal and Installation"](#).
6. Remove the inspection hole cover located under the rear seat cushion by rotating the attaching clips 90° as shown.



FUEL TANK

7. Disconnect the fuel pump assembly electrical connector.

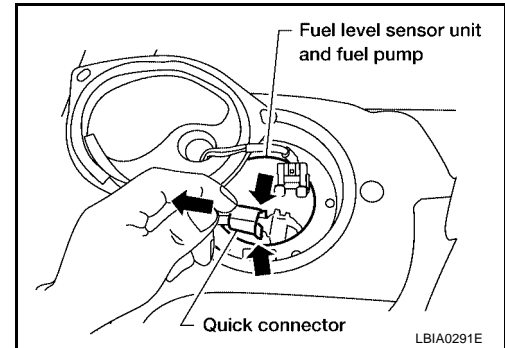


8. Disconnect the fuel feed hose quick connector as follows:

- a. Apply mating marks on the fuel pump outlet and the quick connector for installation.
- b. Hold the quick connector and push in the tabs, then pull out from of the fuel pump outlet that is inserted in the quick connector.

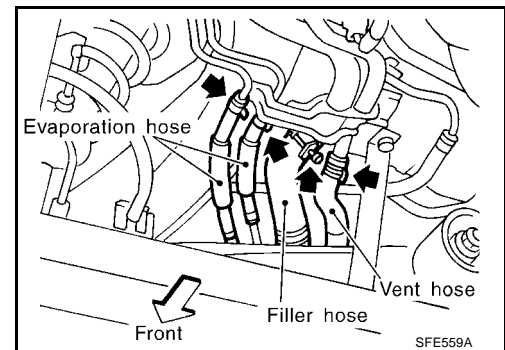
CAUTION:

- The quick connector can be removed when the tabs are completely depressed. Do not twist the fuel feed hose more than necessary.
- Do not use any tools to remove the quick connector.



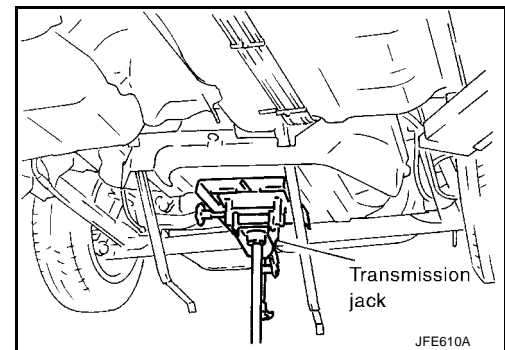
9. Remove the center exhaust tube. Refer to [EX-3, "Removal and Installation"](#) .

10. From the rear left area of the fuel tank, remove the filler hose, vent hose, and evaporation hoses as shown.



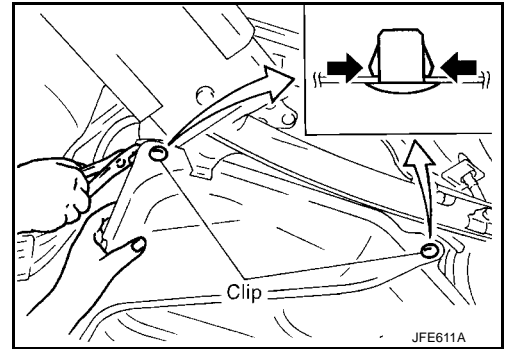
11. Support the fuel tank with a suitable transmission jack as shown.

12. Remove the fuel tank mounting band bolts while supporting the fuel tank.



FUEL TANK

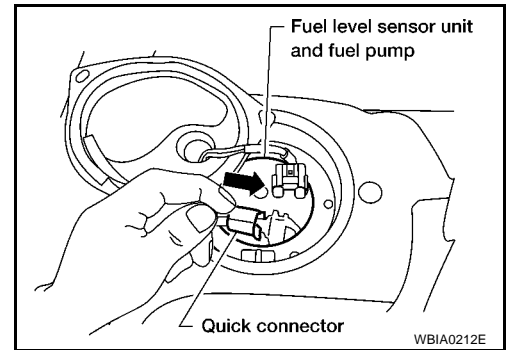
13. Lower the fuel tank by 70 – 80 mm (2.76 – 3.15 in), then remove the nuts and clips holding the fuel tank protector, and remove the protector.
 - To remove the clips, use pliers to squeeze the extensions as shown by the arrows, and then remove the clip.
14. Remove the fuel tank.



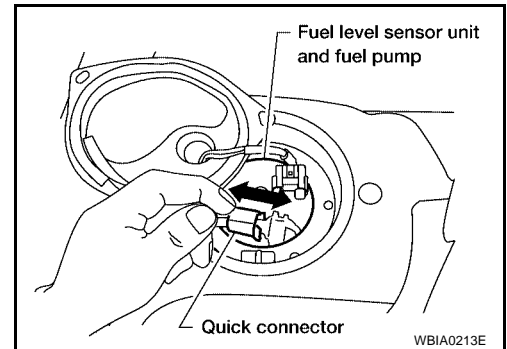
INSTALLATION

Installation is in the reverse order of removal.

- Connect the quick connector in the order as follows:
 - Align mating marks on the fuel pump outlet and the quick connector for correct installation.
 - Align the push tabs with the quick connector slots.
 - Insert the fuel pump outlet into the center of the quick connector until you hear a click.



- After connecting the quick connector, check that the quick connector is fully seated in the order as follows:
 - Pull on the quick connector to make sure it is firmly connected.
 - Apply fuel pressure to the fuel lines by turning the ignition switch ON (without starting the engine). Then check for fuel leaks at the hose connections.
 - Start the engine and increase engine speed, verify that there are no fuel leaks.



SERVICE DATA AND SPECIFICATIONS (SDS)

SERVICE DATA AND SPECIFICATIONS (SDS)

PF0:00030

Standard and Limit Fuel Tank

EBS00DTJ

| | |
|--------------------|----------------------------------|
| Fuel tank capacity | 50 ℓ (13 1/4 US gal, 11 Imp gal) |
|--------------------|----------------------------------|
