

SECTION BR
BRAKE SYSTEM

A
B
C
D
E

CONTENTS

SERVICE INFORMATION	2	VACUUM LINES	21
PRECAUTIONS	2	Component	21
Precaution for Supplemental Restraint System (SRS) "AIR BAG" and "SEAT BELT PRE-TENSIONER"	2	Removal and Installation	21
Precaution Necessary for Steering Wheel Rotation After Battery Disconnect	2	Inspection	21
Precaution for Brake System	3	FRONT DISC BRAKE	23
PREPARATION	4	On Board Inspection	23
Special Service Tool	4	Component	23
Commercial Service Tool	4	Removal and Installation of Brake Pad	24
NOISE, VIBRATION AND HARSHNESS (NVH) TROUBLESHOOTING	6	Removal and Installation of Brake Caliper Assembly	26
NVH Troubleshooting Chart	6	Disassembly and Assembly of Brake Caliper Assembly	28
BRAKE PEDAL	7	Brake Burnishing	31
Inspection and Adjustment	7	REAR DISC BRAKE	32
Removal and Installation	8	On Board Inspection	32
BRAKE FLUID	10	Component	32
On Board Inspection	10	Removal and Installation of Brake Pad	33
Drain and Refill	10	Removal and Installation of Caliper Assembly	34
Bleeding Brake System	11	Disassembly and Assembly of Caliper Assembly	36
BRAKE TUBE AND HOSE	12	Brake Burnishing	39
Hydraulic Circuit	12	REAR DRUM BRAKE	40
Front Brake Tube and Hose	13	Component	40
Rear Brake Tube and Hose	14	Removal and Installation of Drum Brake Assembly	40
Inspection After Installation	16	Removal and Installation of Wheel Cylinder	43
BRAKE MASTER CYLINDER	17	Disassembly and Assembly of Wheel Cylinder	43
On-Board Inspection	17	SERVICE DATA AND SPECIFICATIONS (SDS)	45
Removal and Installation	17	General Specification	45
BRAKE BOOSTER	19	Brake Pedal	46
On Board Inspection	19	Check Valve	46
Removal and Installation	19	Brake Booster	47
		Front Disc Brake	47
		Rear Disc Brake	47
		Rear Drum Brake	48

BR

G
H
I
J
K
L
M
N
O
P

PRECAUTIONS

< SERVICE INFORMATION >

SERVICE INFORMATION

PRECAUTIONS

Precaution for Supplemental Restraint System (SRS) "AIR BAG" and "SEAT BELT PRE-TENSIONER"

INFOID:000000006152267

The Supplemental Restraint System such as "AIR BAG" and "SEAT BELT PRE-TENSIONER", used along with a front seat belt, helps to reduce the risk or severity of injury to the driver and front passenger for certain types of collision. This system includes seat belt switch inputs and dual stage front air bag modules. The SRS system uses the seat belt switches to determine the front air bag deployment, and may only deploy one front air bag, depending on the severity of a collision and whether the front occupants are belted or unbelted. Information necessary to service the system safely is included in the SRS and SB section of this Service Manual.

WARNING:

- To avoid rendering the SRS inoperative, which could increase the risk of personal injury or death in the event of a collision which would result in air bag inflation, all maintenance must be performed by an authorized NISSAN/INFINITI dealer.
- Improper maintenance, including incorrect removal and installation of the SRS can lead to personal injury caused by unintentional activation of the system. For removal of Spiral Cable and Air Bag Module, see the SRS section.
- Do not use electrical test equipment on any circuit related to the SRS unless instructed to in this Service Manual. SRS wiring harnesses can be identified by yellow and/or orange harnesses or harness connectors.

PRECAUTIONS WHEN USING POWER TOOLS (AIR OR ELECTRIC) AND HAMMERS

WARNING:

- When working near the Airbag Diagnosis Sensor Unit or other Airbag System sensors with the Ignition ON or engine running, DO NOT use air or electric power tools or strike near the sensor(s) with a hammer. Heavy vibration could activate the sensor(s) and deploy the air bag(s), possibly causing serious injury.
- When using air or electric power tools or hammers, always switch the Ignition OFF, disconnect the battery, and wait at least 3 minutes before performing any service.

Precaution Necessary for Steering Wheel Rotation After Battery Disconnect

INFOID:000000006152268

NOTE:

- This Procedure is applied only to models with Intelligent Key system and NATS (NISSAN ANTI-THEFT SYSTEM).
- Remove and install all control units after disconnecting both battery cables with the ignition knob in the "LOCK" position.
- Always use CONSULT-III to perform self-diagnosis as a part of each function inspection after finishing work. If DTC is detected, perform trouble diagnosis according to self-diagnostic results.

For models equipped with the Intelligent Key system and NATS, an electrically controlled steering lock mechanism is adopted on the key cylinder.

For this reason, if the battery is disconnected or if the battery is discharged, the steering wheel will lock and steering wheel rotation will become impossible.

If steering wheel rotation is required when battery power is interrupted, follow the procedure below before starting the repair operation.

OPERATION PROCEDURE

1. Connect both battery cables.

NOTE:

Supply power using jumper cables if battery is discharged.

2. Use the Intelligent Key or mechanical key to turn the ignition switch to the "ACC" position. At this time, the steering lock will be released.
3. Disconnect both battery cables. The steering lock will remain released and the steering wheel can be rotated.
4. Perform the necessary repair operation.

PRECAUTIONS

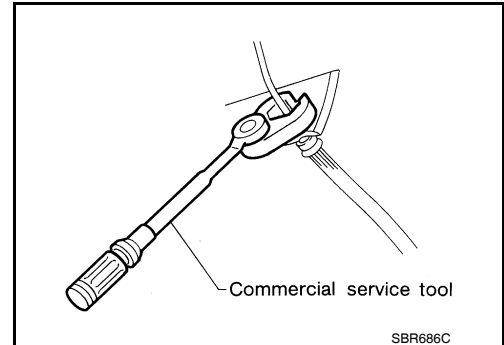
< SERVICE INFORMATION >

5. When the repair work is completed, return the ignition switch to the "LOCK" position before connecting the battery cables. (At this time, the steering lock mechanism will engage.)
6. Perform a self-diagnosis check of all control units using CONSULT-III.

Precaution for Brake System

INFOID:000000006152269

- Refill using recommended brake fluid. Refer to [MA-15](#).
- Never reuse drained brake fluid.
- Be careful not to splash brake fluid on painted surface of body. If brake fluid is splashed on painted surfaces of body immediately wipe it off with cloth and then wash it away with water.
- To clean or wash all parts of master cylinder, disc brake caliper and wheel cylinder, use new brake fluid.
- Never use mineral oils such as gasoline or kerosene. They will ruin rubber parts of the hydraulic system.
- Use a flare nut wrench when removing a brake tube and use a flare nut torque wrench when installing a brake tube.
- When installing brake tubes and hoses, be sure to check torque.
- Before working, turn ignition switch OFF and disconnect connectors of ABS actuator and electric unit (control unit) or the battery cable from the negative terminal.
- Burnish the new braking surfaces after refinishing or replacing drums or rotors, after replacing pads or linings, or if a soft pedal occurs at very low mileage. Refer to [BR-31, "Brake Burnishing"](#).



PREPARATION

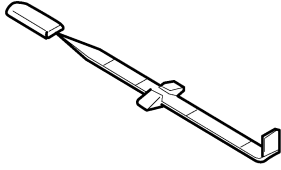
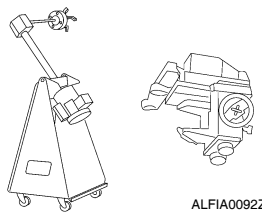
< SERVICE INFORMATION >

PREPARATION

Special Service Tool

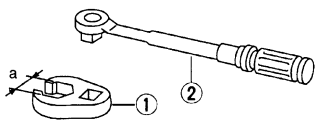

INFOID:000000006152270

The actual shapes of Kent-Moore tools may differ from those of special service tools illustrated here.

Tool number (Kent-Moore No.) Tool name	Description
<p>— (J-46532) Brake and clutch pedal height measurement tool</p>  <p style="text-align: right; font-size: small;">LFIA0227E</p>	Measuring brake pedal height
<p>38-PFM90.5 (—) Pro-Cut PFM 90 On-Car Brake Lathe</p>  <p style="text-align: right; font-size: small;">ALFIA0092ZZ</p>	Turning rotors

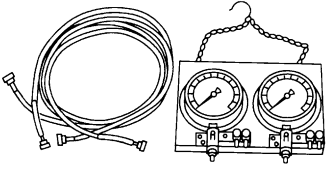

Commercial Service Tool

INFOID:000000006152271

Tool name	Description
<p>1 Flare nut crowfoot 2 Torque wrench</p>  <p style="text-align: right; font-size: small;">S-NT360</p>	<p>Removing and installing each brake piping a: 10 mm (0.39 in)/12mm (0.47 in)</p>
<p>Pin punch Tip diameter: 4 mm (0.16 in) dia.</p>  <p style="text-align: right; font-size: small;">ZZA0515D</p>	Removing and installing reservoir tank pin

PREPARATION

< SERVICE INFORMATION >

Tool name	Description
Brake fluid pressure gauge  NT151	Measuring brake fluid pressure
Power tool  PIIB1407E	Removing nuts, bolts, and screws

A

B

C

D

E

BR

G

H

I

J

K

L

M

N

O

P

NOISE, VIBRATION AND HARSHNESS (NVH) TROUBLESHOOTING

< SERVICE INFORMATION >

NOISE, VIBRATION AND HARSHNESS (NVH) TROUBLESHOOTING

NVH Troubleshooting Chart

INFOID:000000006152272

Use the chart below to help you find the cause of the symptom. If necessary, repair or replace these parts.

Symptom		Possible cause and SUSPECTED PARTS													Reference page						
		Pads/Lining damaged	Pads/Lining - uneven wear	Shims damaged	Rotor imbalance	Rotor damage	Rotor runout	Rotor deformation	Rotor deflection	Rotor rust	Rotor thickness variation	Drum out of round	WHEEL HUB	SUSPENSION		TIRES	ROAD WHEEL	DRIVE SHAFT	STEERING		
Noise	Noise	x	x	x																	BR-23, BR-40 BR-23, BR-40 — BR-28 BR-28 BR-28 BR-28 BR-28 — BR-28 BR-40 FAX-5. "NVH Troubleshooting Chart", RAX-5. "NVH Troubleshooting Chart" FSU-6. "NVH Troubleshooting Chart", RSU-5. "NVH Troubleshooting Chart" WT-5. "NVH Troubleshooting Chart" WT-5. "NVH Troubleshooting Chart" FAX-5. "NVH Troubleshooting Chart" PS-5. "NVH Troubleshooting Chart"
	Shake				x							x	x	x	x	x	x				
	Shimmy, Shudder				x	x	x	x	x	x	x	x		x	x	x					

x: Applicable

BRAKE PEDAL

< SERVICE INFORMATION >

BRAKE PEDAL

Inspection and Adjustment

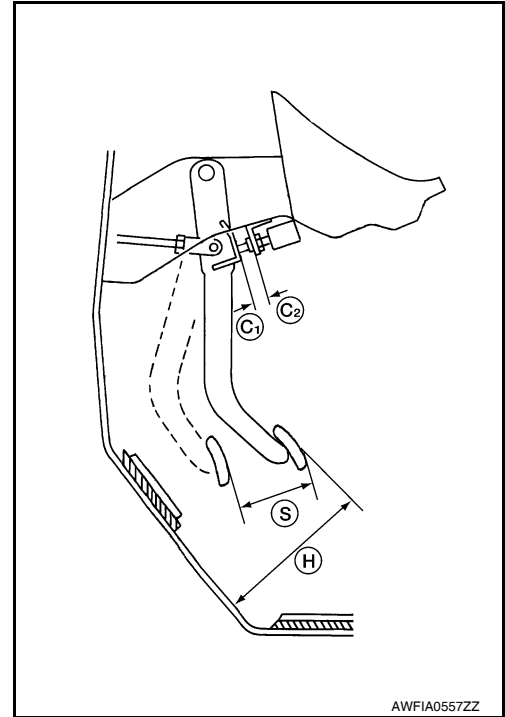
INFOID:000000006152273

INSPECTION

1. Inspect the brake pedal height (H) from the floor using Tool at a 90° angle to the floor.

Tool number : — (J-46532)

2. Adjust the brake pedal height to specification.



Brake Pedal Specifications

Brake pedal height (H) (from dash lower panel top surface)	Refer to BR-46. "Brake Pedal" .
Brake pedal full stroke (S)	Refer to BR-46. "Brake Pedal" .
Clearance between pedal stopper bracket and threaded end of the stop lamp switch (C1) and ASCD cancel switch (C2), if equipped.	Refer to BR-46. "Brake Pedal" .

ADJUSTMENT

BRAKE PEDAL

< SERVICE INFORMATION >

1. Loosen stop lamp switch and ASCD switch (if equipped) by rotating it counterclockwise by 45°.
2. Loosen lock nut on input rod, then rotate input rod to set pedal to the specified height, and tighten lock nut.

CAUTION:

Make sure that the threaded end of input rod stays inside clevis.

Lock nut : Refer to [BR-8, "Removal and Installation"](#).

3. With the pedal pulled and held by hand, press stop lamp switch or ASCD switch (if equipped) until its threaded end contacts brake pedal lever.
4. With the threaded end of stop lamp switch or ASCD switch (if equipped) contacting brake pedal lever, rotate the switch clockwise by 45° to secure.

CAUTION:

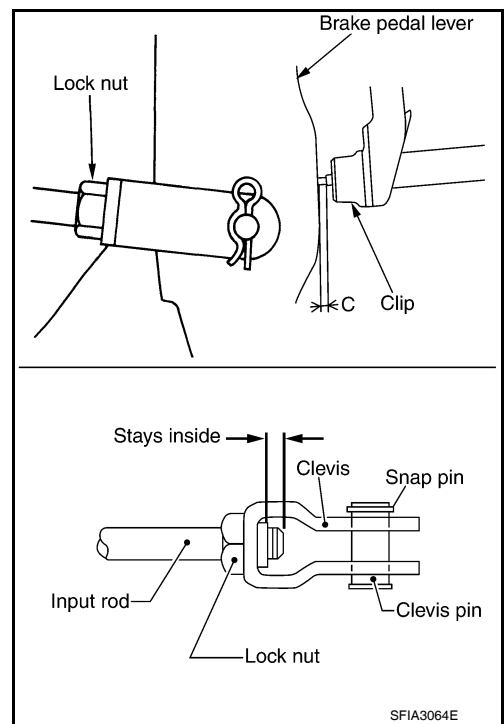
Make sure that the clearance (C) is within the specification.

5. Check that the stop lamps go out when the brake pedal is released

CAUTION:

Make sure that stop lamps go off when brake pedal is released.

6. Start the engine and check the brake pedal for smooth operation.

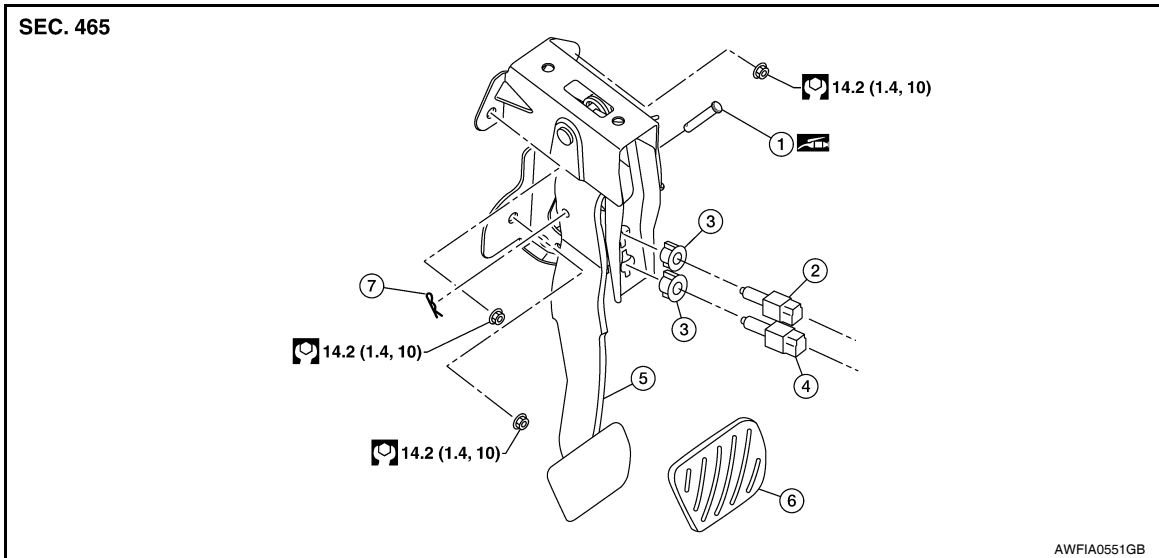


SFIA3064E

Removal and Installation

INFOID:000000006152274

COMPONENTS



- | | | |
|---------------------|------------------------------|--------------------|
| 1. Clevis pin | 2. ASCD switch (if equipped) | 3. Clip |
| 4. Stop lamp switch | 5. Brake pedal assembly | 6. Brake pedal pad |
| 7. Snap pin | | |

NOTE:

The clevis pin must be installed from the right side as shown above.

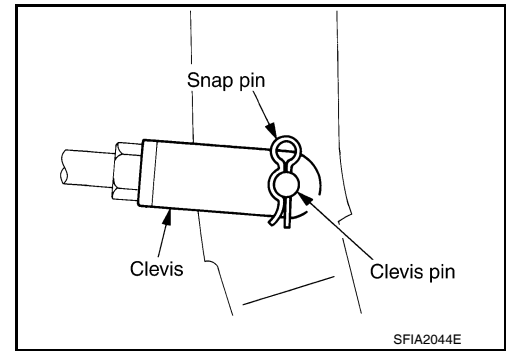
REMOVAL

1. Disconnect accelerator pedal position sensor harness connector.
2. Remove stop lamp switch and ASCD switch (if equipped) from brake pedal assembly.

BRAKE PEDAL

< SERVICE INFORMATION >

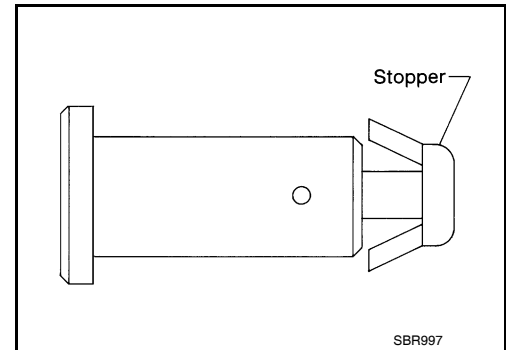
3. Remove snap pin and clevis pin from clevis of brake booster.



4. Remove nuts from brake pedal bracket, and remove brake pedal assembly.
5. Remove accelerator pedal from brake pedal assembly.

INSPECTION AFTER REMOVAL

- Check brake pedal for bend, damage, and cracks on the welded parts.
- Replace brake pedal assembly if any non-standard condition is detected.
- Check clevis pin and plastic stopper for damage and deformation.
Replace clevis pin as necessary.



INSTALLATION

Installation is in the reverse order of the removal.

- After installing brake pedal assembly, adjust brake pedal. Refer to [BR-7, "Inspection and Adjustment"](#).
- After installing accelerator pedal, check accelerator pedal for proper operation.

NOTE:

The clevis pin must be installed from the right side.

BRAKE FLUID

< SERVICE INFORMATION >

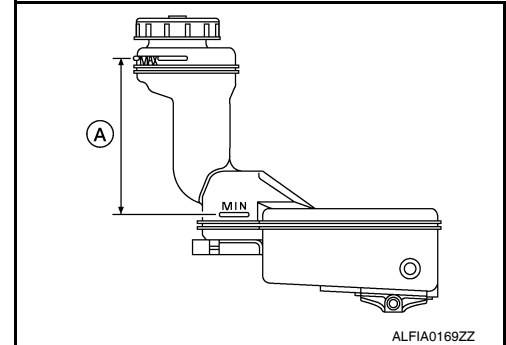
BRAKE FLUID

On Board Inspection

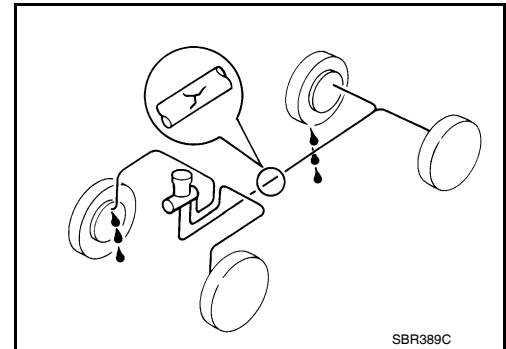
INFOID:000000006152275

CHECKING BRAKE FLUID LEVEL

- Make sure the fluid level in the reservoir tank is between MAX and MIN lines (A) as shown.



- Visually check around the reservoir tank for fluid leakage.
- If fluid level is excessively low, check brake system for fluid leakage.



- Release parking brake lever and see if brake warning lamp goes off. If not, check brake system for fluid leakage.

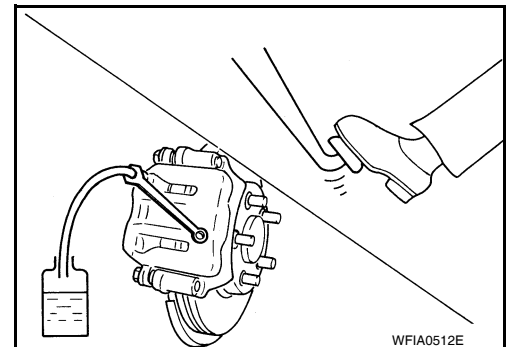
Drain and Refill

INFOID:000000006152276

CAUTION:

- Refill using recommended brake fluid.
- Never reuse drained brake fluid.
- Be careful not to splash brake fluid on painted areas; it may cause paint damage. If brake fluid is splashed on painted areas, immediately wipe them with cloth and wash it away with water.
- Before working, disconnect connectors of ABS actuator and electric unit (control unit) or battery negative terminal if equipped.

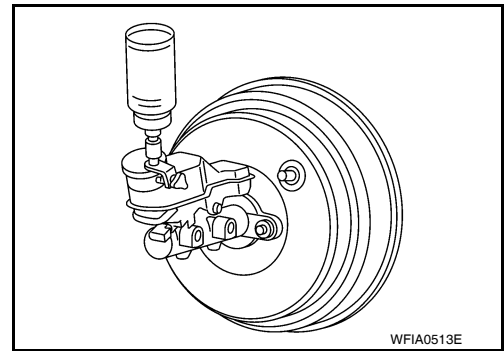
1. Connect a vinyl tube to bleed valve.
2. Depress the brake pedal, loosen the bleed valve, and gradually remove the brake fluid.



BRAKE FLUID

< SERVICE INFORMATION >

- Clean inside of reservoir tank, and refill with new brake fluid.
- Loosen bleed valve, depress brake pedal slowly to full stroke and then release it. Repeat the procedure every 2 or 3 seconds until the new brake fluid comes out, then close the bleed valve while depressing the brake pedal. Repeat the same procedure for each wheel.
- Bleed air. Refer to [BR-11, "Bleeding Brake System"](#).



INFOID:000000006152277

Bleeding Brake System

CAUTION:

- While bleeding, pay attention to master cylinder fluid level.
 - Before working, disconnect connectors of ABS actuator and electric unit (control unit) or the battery negative terminal if equipped.
- Connect a vinyl tube to the rear right bleed valve.
 - Fully depress brake pedal 4 to 5 times.
 - With brake pedal depressed, loosen bleed valve to let the air out, and then tighten it immediately.
 - Repeat steps 2, 3 until no more air comes out.
 - Tighten bleed valve to specified torque. Refer to [BR-23, "Component"](#) (front disc brake), [BR-40, "Component"](#) (rear drum brake), [BR-32, "Component"](#) (rear disc brake).
 - Following the steps 1 to 5 above, with master cylinder reservoir tank filled at least half way, bleed air from the rear right, front left, rear left, and front right brake, in that order.

BRAKE TUBE AND HOSE

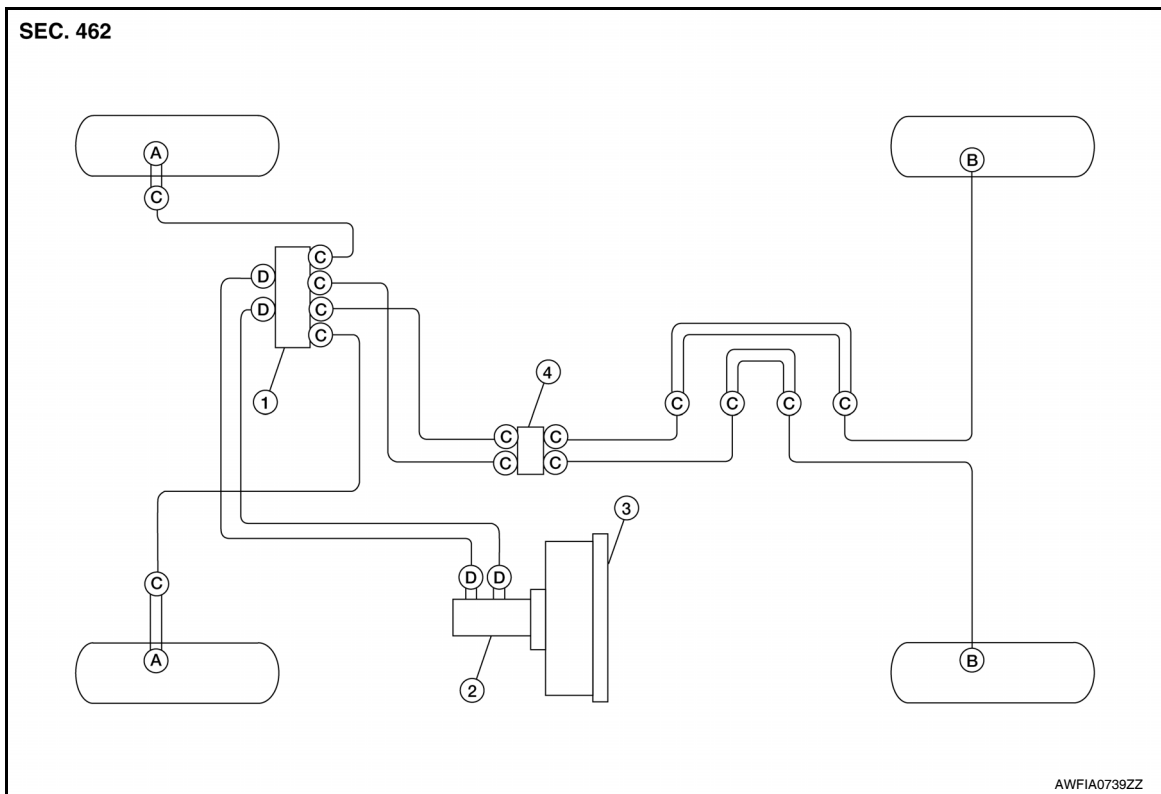
< SERVICE INFORMATION >

BRAKE TUBE AND HOSE

Hydraulic Circuit

INFOID:000000006152278

MR20DE with ABS or VDC/TCS/ABS

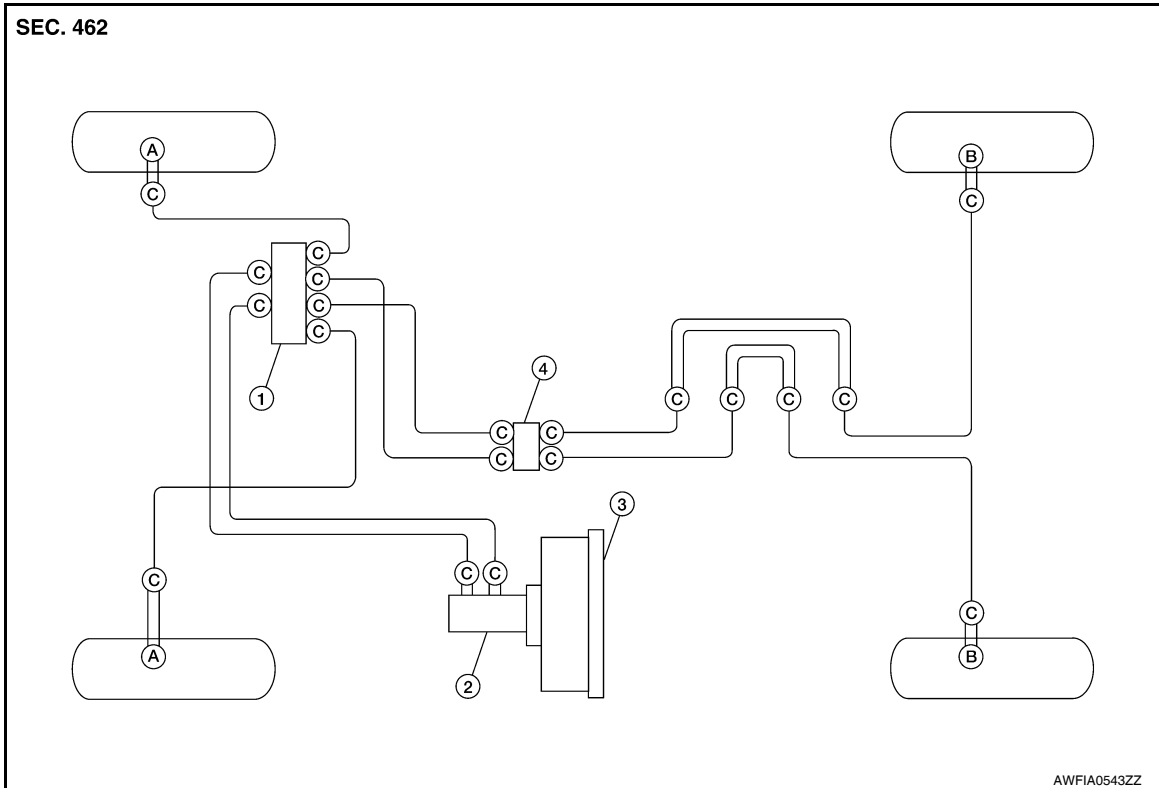


- | | | |
|--|---|---|
| 1. ABS actuator and electric unit (control unit) | 2. Brake master cylinder | 3. Brake booster |
| 4. Connector | A. Union bolt (front disc brake)
18 N·m (1.8 kg-m, 13 ft-lb) | B. Rear tube connector (rear drum brake)
16.5 N·m (1.7 kg-m, 12 ft-lb) |
| C. Flare nut
16.5 N·m (1.7 kg-m, 12 ft-lb) | D. Flare nut
26 N·m (2.7 kg-m, 19 ft-lb) | - Brake tube |
| = Brake hose | | |

BRAKE TUBE AND HOSE

< SERVICE INFORMATION >

QR25DE with VDC/TCS/ABS



- | | | |
|--|---|--|
| 1. ABS actuator and electric unit (control unit) | 2. Brake master cylinder | 3. Brake booster |
| 4. Connector | A. Union bolt (front disc brake)
18 N·m (1.8 kg-m, 13 ft-lb) | B. Union bolt (rear disc brake)
18.5 N·m (1.9 kg-m, 14 ft-lb) |
| C. Flare nut
16.5 N·m (1.7 kg-m, 12 ft-lb) | - Brake tube | = Brake hose |

CAUTION:

- All tubes and hoses must be free from excessive bending, twisting and pulling.
- Make sure there is no interference with other parts when turning steering both clockwise and counterclockwise.
- Brake tubes and hoses are an important safety part. Always disassemble the parts and retighten their fittings, if a brake fluid leak is detected. Replace applicable part with a new one, if damaged part is detected.
- Be careful not to splash brake fluid on painted areas; it may cause paint damage. If brake fluid is splashed on painted surfaces of body, immediately wipe them with cloth and then wash it away with water.
- Do not bend or twist brake hose sharply, or strongly pull it.
- When removing components, cover brake line connections so that dirt, dust, or other foreign matters do not get in.
- Refill using new recommended brake fluid.
- Never reuse drained brake fluid.

Front Brake Tube and Hose

INFOID:000000006152279

REMOVAL

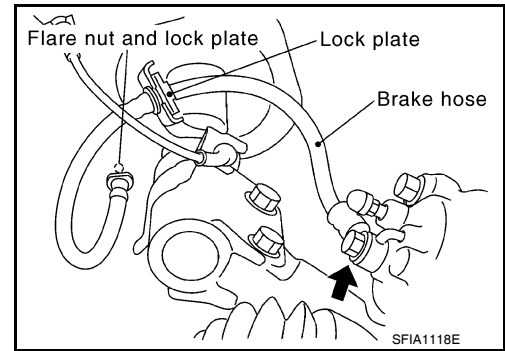
CAUTION:

- Be careful not to splash brake fluid on painted areas; it may cause paint damage. If brake fluid is splashed on painted areas, wash it away with water immediately.
- Cover the open end of brake tubes and hoses when disconnecting to prevent entrance of dirt.

BRAKE TUBE AND HOSE

< SERVICE INFORMATION >

1. Remove the brake tube from brake hose using suitable tool.
NOTE:
Cap or plug opening(s) to prevent fluid from spilling.
2. Remove the union bolt and brake hose from caliper assembly.
NOTE:
Cap or plug opening(s) to prevent fluid from spilling.
3. Remove the lock plate and brake hose from the vehicle.



INSTALLATION

CAUTION:

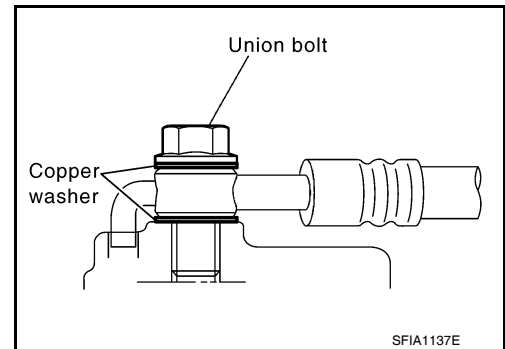
- All brake hoses and tubes must be free from excessive bending, twisting and pulling.
- Make sure that there is no interference with other parts when turning steering both clockwise and counterclockwise.
- Brake tubes and hoses are an important safety part. Always disassemble the parts and retighten their fittings, if a brake fluid leak is detected. Replace applicable part with a new one, if damaged part is detected.
- Be careful not to splash brake fluid on painted areas; it may cause paint damage. If brake fluid is splashed on painted areas, wash it away with water immediately.
- Refill with new brake fluid "DOT 3".
- Never reuse drained brake fluid.

1. Assemble union bolt and copper washers to brake hose.

CAUTION:

Do not reuse copper washers.

2. Position the L-shape metal fitting of the brake hose to the brake caliper assembly positioning hole.
3. Tighten union bolt to the specified torque. Refer to [BR-12, "Hydraulic Circuit"](#).
4. Connect brake hose to brake tube on vehicle, and temporarily tighten flare nut by hand as much as possible.
5. Secure the brake hose with lock plate.
6. Tighten the flare nut to the specified torque using suitable tool. Refer to [BR-12, "Hydraulic Circuit"](#).
7. Refill the brake fluid and bleed the air from the brake system. Refer to [BR-11, "Bleeding Brake System"](#).



Rear Brake Tube and Hose

INFOID:000000006152280

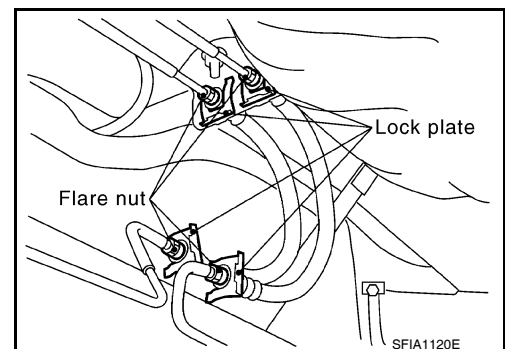
OVER AXLE REAR BRAKE HOSE

Removal

CAUTION:

- Be careful not to splash brake fluid on painted areas; it may cause paint damage. If brake fluid is splashed on painted areas, wash it away with water immediately.
- Cover the open end of brake tubes and hoses when disconnecting to prevent entrance of dirt.

1. Remove the brake tube from brake hose using a suitable tool.
NOTE:
Cap or plug opening(s) to prevent fluid from spilling.
2. Remove the lock plate and brake hose.
NOTE:
Cap or plug opening(s) to prevent fluid from spilling.



BRAKE TUBE AND HOSE

< SERVICE INFORMATION >

Installation

CAUTION:

- All brake hoses and tubes must be free from excessive bending, twisting and pulling.
- Make sure that there is no interference with other parts when turning steering both clockwise and counterclockwise.
- Brake tubes and hoses are an important safety part. Always disassemble the parts and retighten their fittings, if a brake fluid leak is detected. Replace applicable part with a new one, if damaged part is detected.
- Be careful not to splash brake fluid on painted areas; it may cause paint damage. If brake fluid is splashed on painted areas, wash it away with water immediately.
- Refill with new brake fluid "DOT 3".
- Never reuse drained brake fluid.

1. Connect brake hose to brake tube on vehicle, and temporarily tighten flare nut by hand as much as possible.
2. Secure the brake hose to bracket with lock plate.
3. Tighten flare nut to the specified torque using a suitable tool. Refer to [BR-12, "Hydraulic Circuit"](#).
4. Refill the brake fluid and bleed the air from the brake system. Refer to [BR-11, "Bleeding Brake System"](#).

REAR BRAKE HOSE - QR25DE

Removal

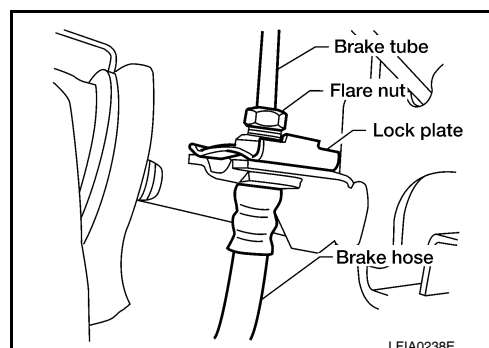
CAUTION:

- Be careful not to splash brake fluid on painted areas; it may cause paint damage. If brake fluid is splashed on painted areas, wash it away with water immediately.
- Cover the open end of brake tubes and hoses when disconnecting to prevent entrance of dirt.

1. Disconnect the brake hose from brake tube using suitable tool.

NOTE:

Cap or plug opening(s) to prevent fluid from spilling.



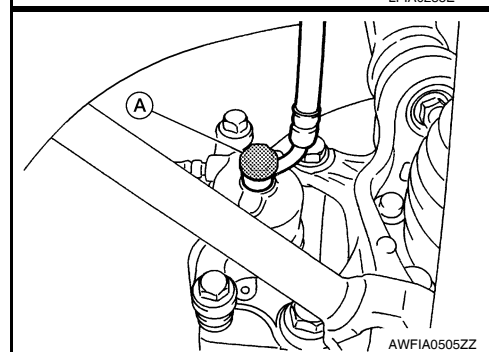
2. Remove the union bolt (A), and then remove brake hose from brake caliper assembly and discard the copper washers.

CAUTION:

Do not reuse the copper washers.

NOTE:

Cap or plug opening(s) to prevent fluid from spilling.



3. Remove the lock plate and brake hose from the vehicle.

Installation

CAUTION:

- All brake hoses and tubes must be free from excessive bending, twisting and pulling.
- Make sure that there is no interference with other parts when turning steering both clockwise and counterclockwise.
- Brake tubes and hoses are an important safety part. Always disassemble the parts and retighten their fittings, if a brake fluid leak is detected. Replace applicable part with a new one, if damaged part is detected.
- Be careful not to splash brake fluid on painted areas; it may cause paint damage. If brake fluid is splashed on painted areas, wash it away with water immediately.

BRAKE TUBE AND HOSE

< SERVICE INFORMATION >

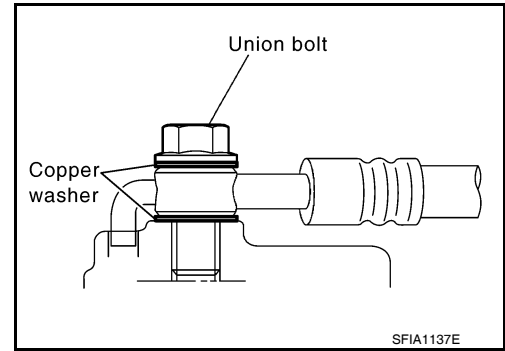
- Refill with new brake fluid “DOT 3”.
- Never reuse drained brake fluid.

1. Assemble the union bolt and the new copper washers on the brake hose.

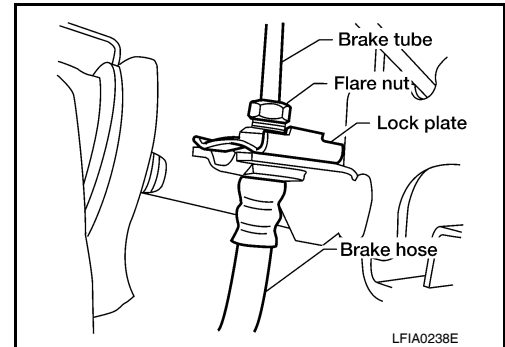
CAUTION:

Do not reuse the copper washers.

2. Attach L-shape metal fitting of the brake hose to brake caliper assembly positioning hole, and then tighten union bolt to the specified torque.



3. Connect brake hose to brake tube, partially tighten flare nut by hand as much as possible, then secure it to the bracket with lock plate.
4. Using a flare nut torque wrench, tighten flare nut to the specified torque.
5. Refill the brake fluid and bleed the air from the brake system. Refer to [BR-11. "Bleeding Brake System"](#).



Inspection After Installation

INFOID:000000006152281

CAUTION:

- Always disassemble the parts and retighten their fittings, if a brake fluid leak is detected. Replace applicable part with a new one, if damaged part is detected.
- If leak is detected at the connections, retighten it or replace the damaged part.

1. Check brake hose, tube, and connections for fluid leaks, damage, twist, deformation, contact with other parts, and loose connections.
2. While depressing pedal under a force of 785 N (80 kg-f, 177 lb-f) with the engine running for approximately 5 seconds, check for fluid leak from each part.

BRAKE MASTER CYLINDER

< SERVICE INFORMATION >

BRAKE MASTER CYLINDER

On-Board Inspection

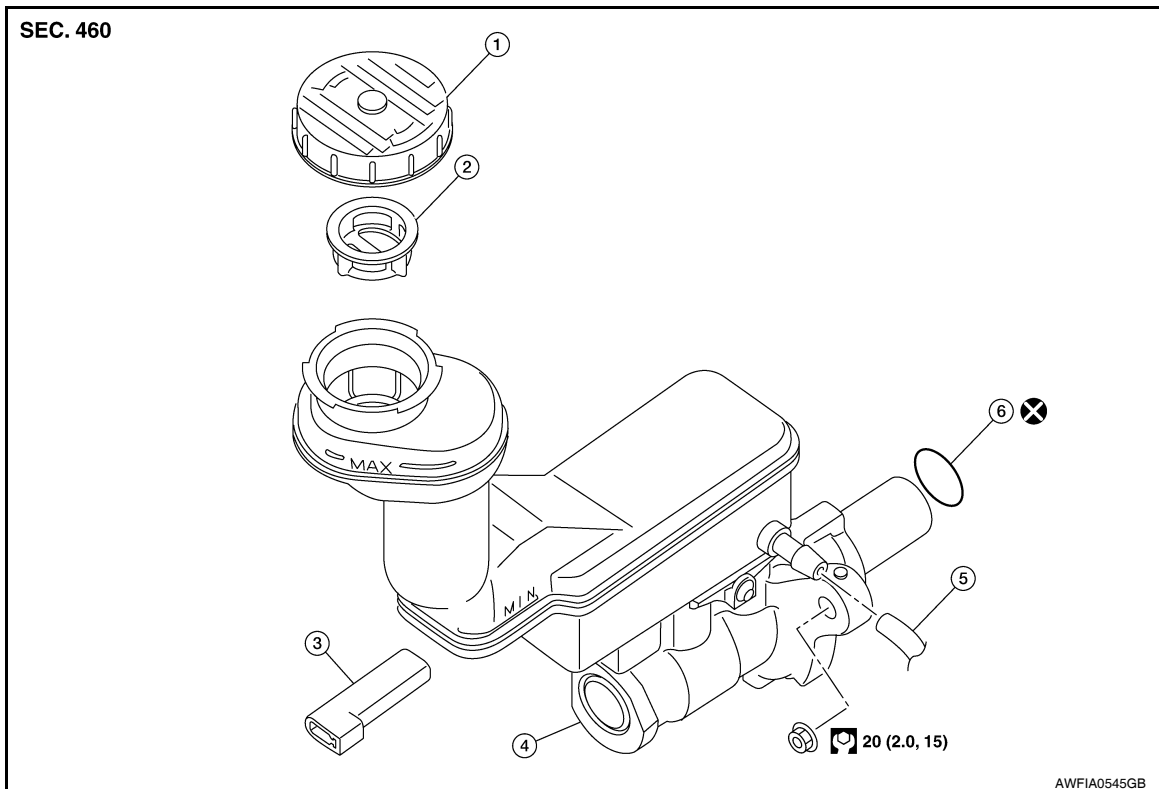
INFOID:000000006152284

LEAK INSPECTION

Check for leaks in a master cylinder installation surface, the reservoir tank installation surface, and the brake tube connections. Repair or replace components as necessary.

Removal and Installation

INFOID:000000006152285



- | | | |
|---|---|---------------------------------------|
| 1. Reservoir cap | 2. Filter | 3. Brake fluid level switch connector |
| 4. Master cylinder and reservoir assembly | 5. Hose to clutch master cylinder (if equipped) | 6. O-ring |

CAUTION:

Be careful not to splash brake fluid on painted areas; it may cause paint damage. If brake fluid is splashed on painted areas, immediately wipe them with cloth and wash it away with water.

REMOVAL

1. Drain the brake fluid. Refer to [BR-10. "Drain and Refill"](#).
2. Remove the battery and battery tray as necessary. Refer to [SC-7. "Removal and Installation \(MR20DE Battery\)"](#), [SC-9. "Removal and Installation \(QR25DE Battery Tray\)"](#).
3. Remove the air cleaner and air duct. Refer to [EM-16. "Removal and Installation" \(MR20DE\)](#), [EM-133. "Removal and Installation" \(QR25DE\)](#).

4. Disconnect the brake fluid level switch harness connector.

5. Disconnect the hose to clutch master cylinder (if equipped) from the brake fluid reservoir.

NOTE:

Cap or plug opening(s) to prevent fluid from spilling.

6. Remove the brake tubes from master cylinder using a suitable tool.

NOTE:

Cap or plug opening(s) to prevent fluid from spilling.

BRAKE MASTER CYLINDER

< SERVICE INFORMATION >

7. Remove the master cylinder and reservoir assembly nuts, and remove the master cylinder and reservoir assembly.

INSTALLATION

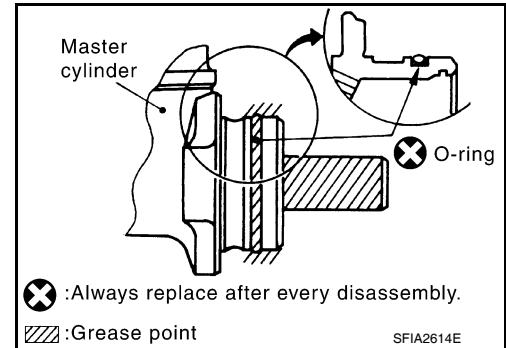
CAUTION:

- Refill using recommended brake fluid.
- Never reuse drained brake fluid.
- Check if the rod of primary piston has dust or scratches.

1. Install master cylinder and reservoir assembly to brake booster assembly, and tighten master cylinder and reservoir assembly nuts to the specified torque.

CAUTION:

- Do not damage or strain rod of primary piston.
- Apply silicone grease for O-ring, primary piston rod and to inside of booster.



2. Install brake tubes to master cylinder, then tighten flare nuts to the specified torque using a suitable tool. Refer to [BR-12, "Hydraulic Circuit"](#).
3. Connect the hose to clutch master cylinder (if equipped) from the brake fluid reservoir.
4. Connect brake fluid level switch harness connector and clutch master cylinder hose (if equipped).
5. Install the air cleaner and air duct. Refer to [EM-16, "Removal and Installation"](#) (MR20DE), [EM-133, "Removal and Installation"](#) (QR25DE).
6. Install the battery and battery tray as necessary. Refer to [SC-7, "Removal and Installation \(MR20DE Battery\)"](#), [SC-9, "Removal and Installation \(QR25DE Battery Tray\)"](#).
7. Refill with new brake fluid and bleed the air from the brake system and clutch system (if equipped). Refer to [BR-11, "Bleeding Brake System"](#), or [CL-9, "Air Bleeding Procedure"](#).

BRAKE BOOSTER

< SERVICE INFORMATION >

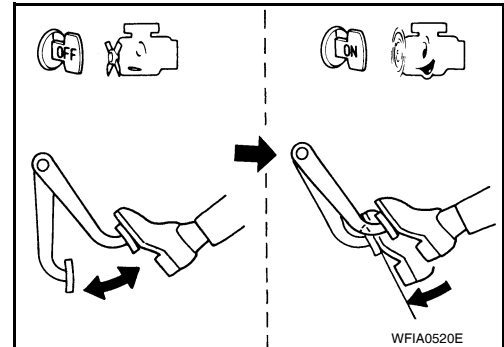
BRAKE BOOSTER

On Board Inspection

INFOID:000000006152286

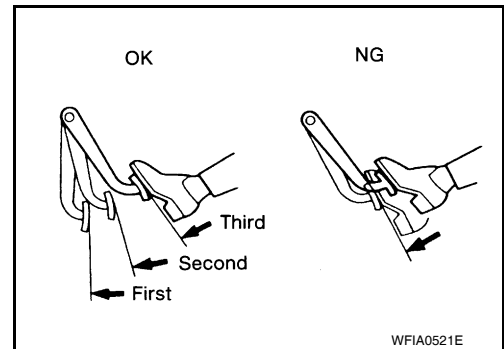
OPERATING CHECK

- With the engine stopped, change the vacuum to the atmospheric pressure by depressing brake pedal several times at intervals of 5 seconds.
- Then with brake pedal fully depressed, start engine and when the vacuum pressure reaches the standard, make sure that the clearance between brake pedal and floor panel decreases.



AIRTIGHT CHECK

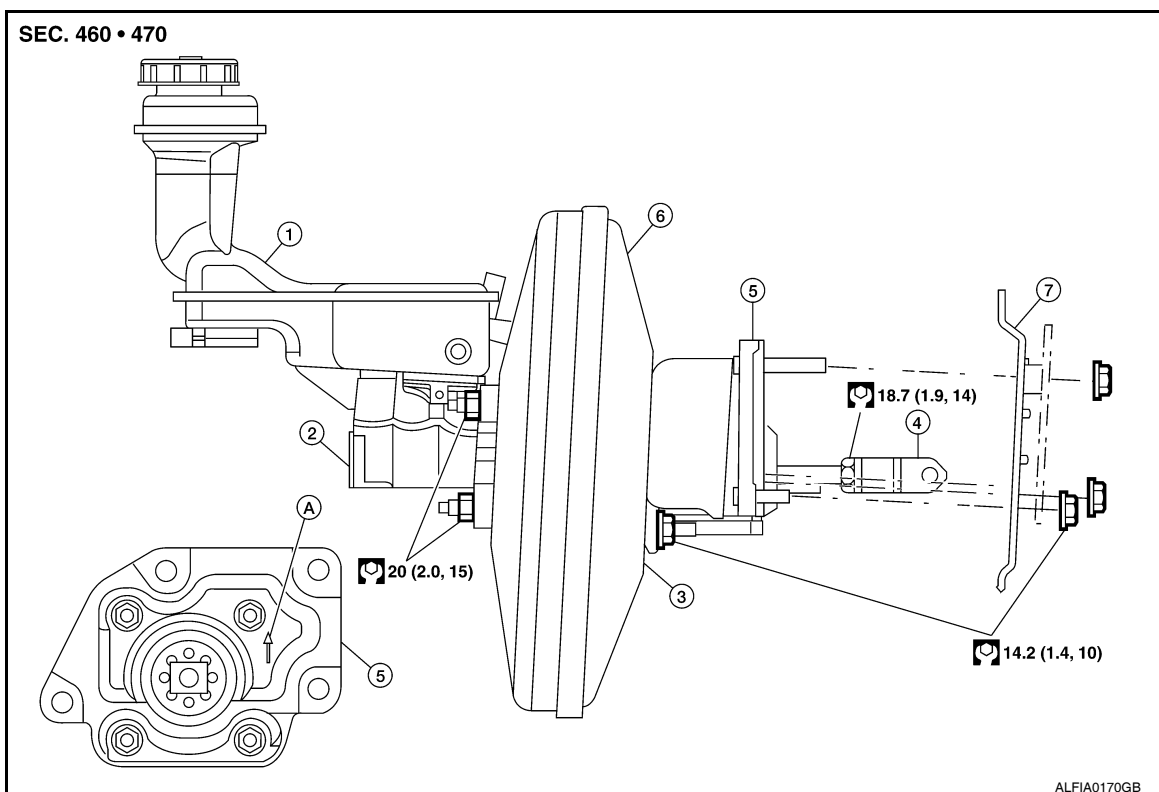
- Run engine at idle for approximately 1 minute, and stop it after applying vacuum to booster. Depress brake pedal normally to change the vacuum to the atmospheric pressure. Make sure that distance between brake pedal and floor panel gradually increases.
- Depress the brake pedal while engine is running, then stop engine with brake pedal depressed. The pedal stroke should not change after holding pedal down for 30 seconds.



Removal and Installation

INFOID:000000006152287

COMPONENTS



BRAKE BOOSTER

< SERVICE INFORMATION >

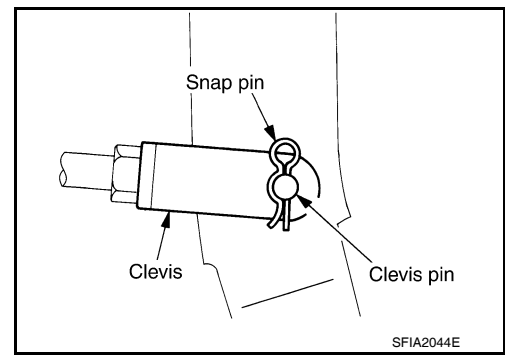
- | | | |
|------------------------|--------------------|------------------|
| 1. Reservoir tank | 2. Master cylinder | 3. Gasket |
| 4. Clevis | 5. Spacer | 6. Brake booster |
| 7. Lower dash assembly | A. Up mark | |

REMOVAL

CAUTION:

- Be careful not to splash brake fluid on painted areas such as body. If brake fluid is splashed on painted surfaces of body, wipe them with cloth immediately and then wash it away with water.
- Be careful not to deform or bend brake tubes while removing and installing brake booster.
- Replace clevis pin if it is damaged.
- Be careful not to damage brake booster stud bolt threads. If brake booster is tilted or inclined during installation, dash panel may damage the threads.

1. Remove vacuum hose from brake booster. Refer to [BR-21, "Removal and Installation"](#).
2. Remove master cylinder assembly. Refer to [BR-17, "Removal and Installation"](#).
3. Remove LH instrument panel lower finisher. Refer to [IP-12, "Removal and Installation"](#).
4. Remove snap pin and clevis pin from the clevis of the input rod, and disconnect clevis from brake pedal.
5. Disconnect accelerator pedal assembly connector.
6. Remove the three brake pedal nuts from lower dash assembly.
7. Remove the spacer nut from lower dash assembly.
8. Remove brake booster and spacer.
9. Remove brake booster nuts and remove spacer from brake booster.

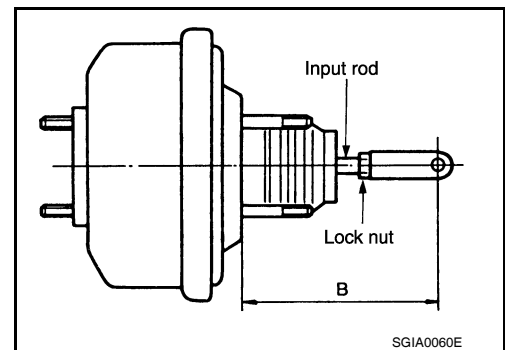


INSTALLATION

1. Loosen lock nut to adjust input rod length so that the length (B) satisfies the specified value.

Length (B) : Refer to [BR-47, "Brake Booster"](#).

2. Install spacer with new gasket to brake booster and tighten spacer nut (brake booster side) to the specified torque.
3. After adjusting length (B), temporarily tighten lock nut to install brake booster assembly to lower dash assembly. At this time, make sure to install a gasket between brake booster and lower dash assembly.



CAUTION:

Be sure to install the gasket between brake booster and lower dash assembly.

4. Connect brake pedal to clevis of input rod with the clevis pin and snap pin.
5. Install the three brake pedal bracket nuts and tighten them to the specified torque.
6. Connect accelerator pedal assembly connector.
7. Install the spacer nut and tighten to the specified torque.
8. Adjust the height of brake pedal. Refer to [BR-7, "Inspection and Adjustment"](#).
9. Tighten lock nut for the input rod to the specified torque.
10. Install LH instrument panel lower finisher. Refer to [IP-12, "Removal and Installation"](#).
11. Install vacuum hose into brake booster. Refer to [BR-21, "Removal and Installation"](#).
12. Install master cylinder assembly. Refer to [BR-17, "Removal and Installation"](#).
13. Refill with new brake fluid and bleed the air from the brake system and clutch system (if equipped). Refer to [BR-11, "Bleeding Brake System"](#).

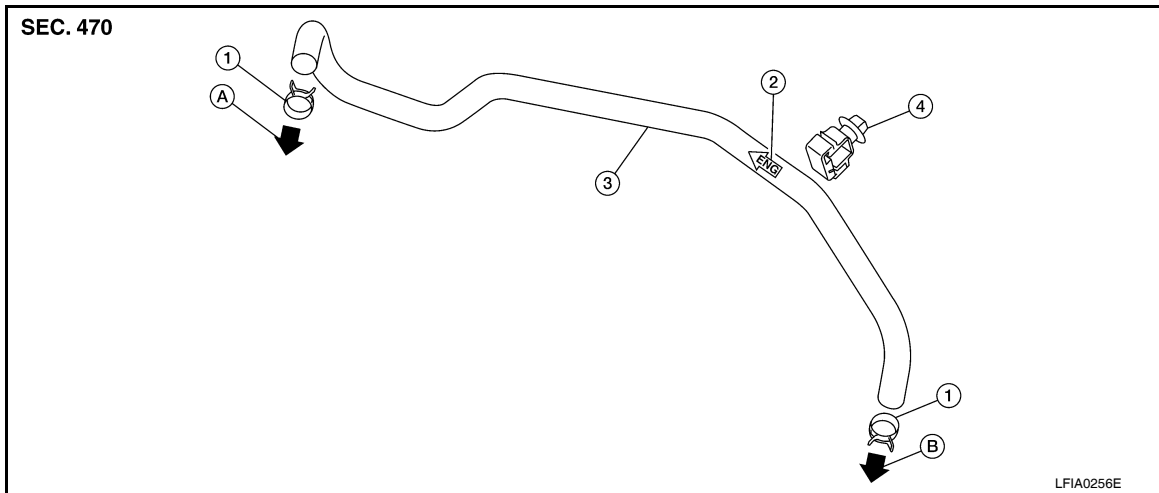
VACUUM LINES

< SERVICE INFORMATION >

VACUUM LINES

Component

INFOID:000000006152288



- | | | |
|----------|---|---------------------|
| 1. Clamp | 2. Engine side indicator stamp (for built-in check valve) | 3. Vacuum hose |
| 4. Clip | A. To intake manifold | B. To brake booster |

Removal and Installation

INFOID:000000006152289

REMOVAL

1. Disconnect the vacuum hose from the brake booster.
2. Disconnect the vacuum hose from the engine intake manifold.
3. Remove the vacuum hose.

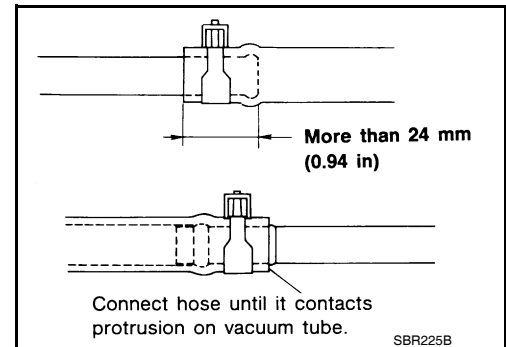
INSTALLATION

Installation is in the reverse order of removal.

- Inspect the vacuum hose and internal one-way check valve before installation. Refer to [BR-21, "Inspection"](#).

CAUTION:

- **Because the vacuum hose contains a one-way check valve, the hose must be installed in the correct position. Refer to the stamp on the hose to confirm the correct direction for installation. The brake booster will not operate normally if the hose is installed in the wrong direction.**
- **Do not use lubricating oil during assembly.**
- **Insert the vacuum hose at least 24 mm (0.94 in) onto the brake booster fitting as shown.**



Inspection

INFOID:000000006152290

VISUAL INSPECTION

Check for improper installation, damage and aging. Reinstall or replace the vacuum hose with the internal check valve as necessary.

CHECK VALVE INSPECTION

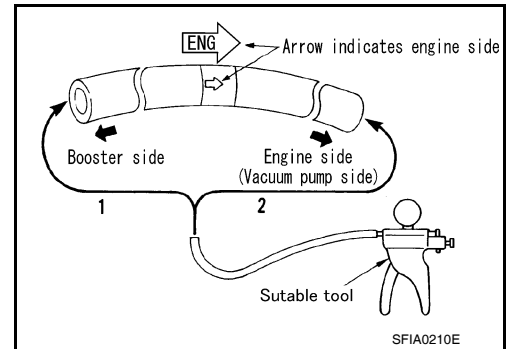
VACUUM LINES

< SERVICE INFORMATION >

- Use a hand vacuum pump to inspect the vacuum hose and internal check valve. Replace the vacuum hose and internal check valve if not within specifications.

When connected to booster side (1) Refer to [BR-46](#),
["Check Valve"](#).

When connected to engine side (2) Refer to [BR-46](#),
["Check Valve"](#).



- Replace the vacuum hose with the internal check valve if the vacuum hose is damaged or deformed.

FRONT DISC BRAKE

< SERVICE INFORMATION >

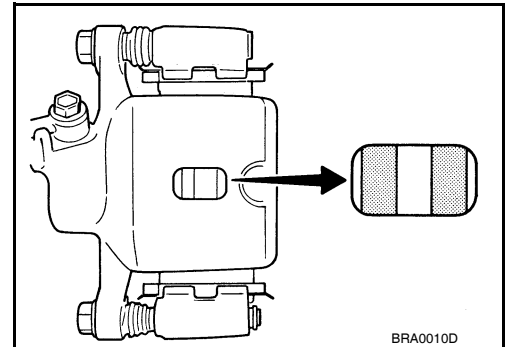
FRONT DISC BRAKE

On Board Inspection

INFOID:000000006152291

PAD WEAR INSPECTION

Inspect pad thickness from check hole in cylinder body. Refer to [BR-47, "Front Disc Brake"](#).

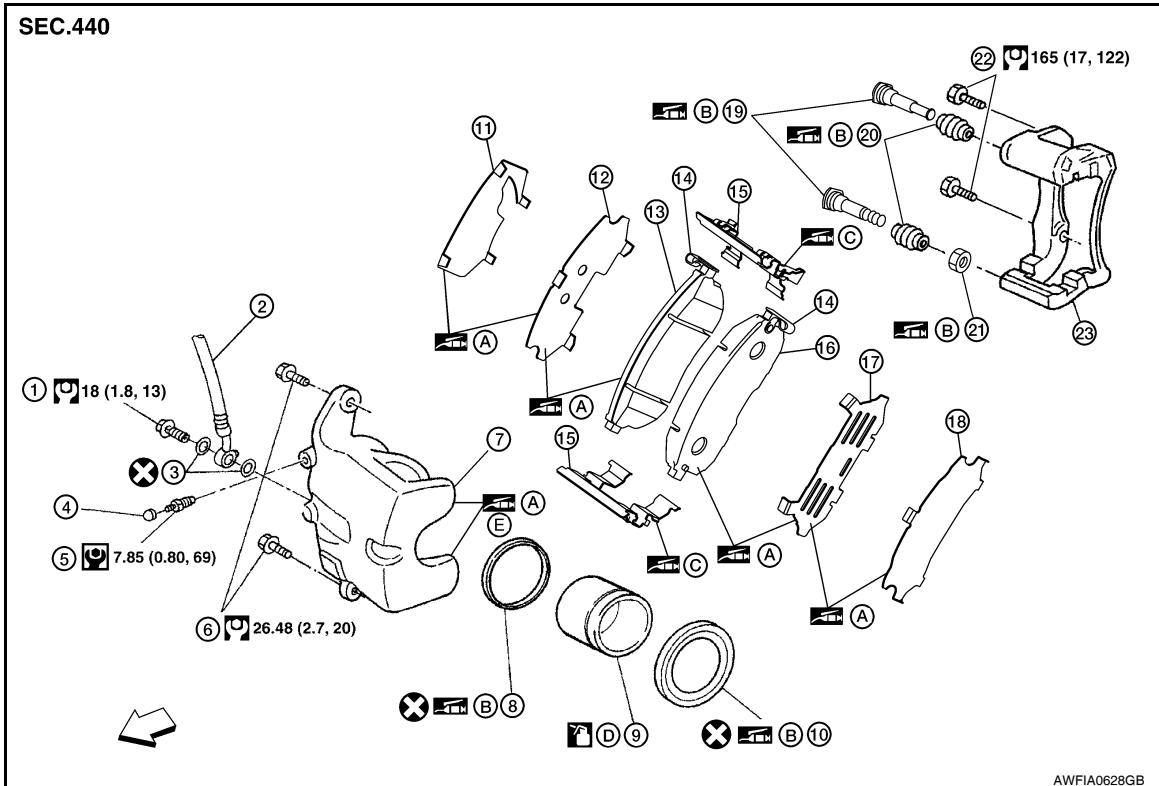


BRA0010D

Component

INFOID:000000006152292

Front Disc Brakes - MR20DE (All Models) & QR25DE (SE-R)

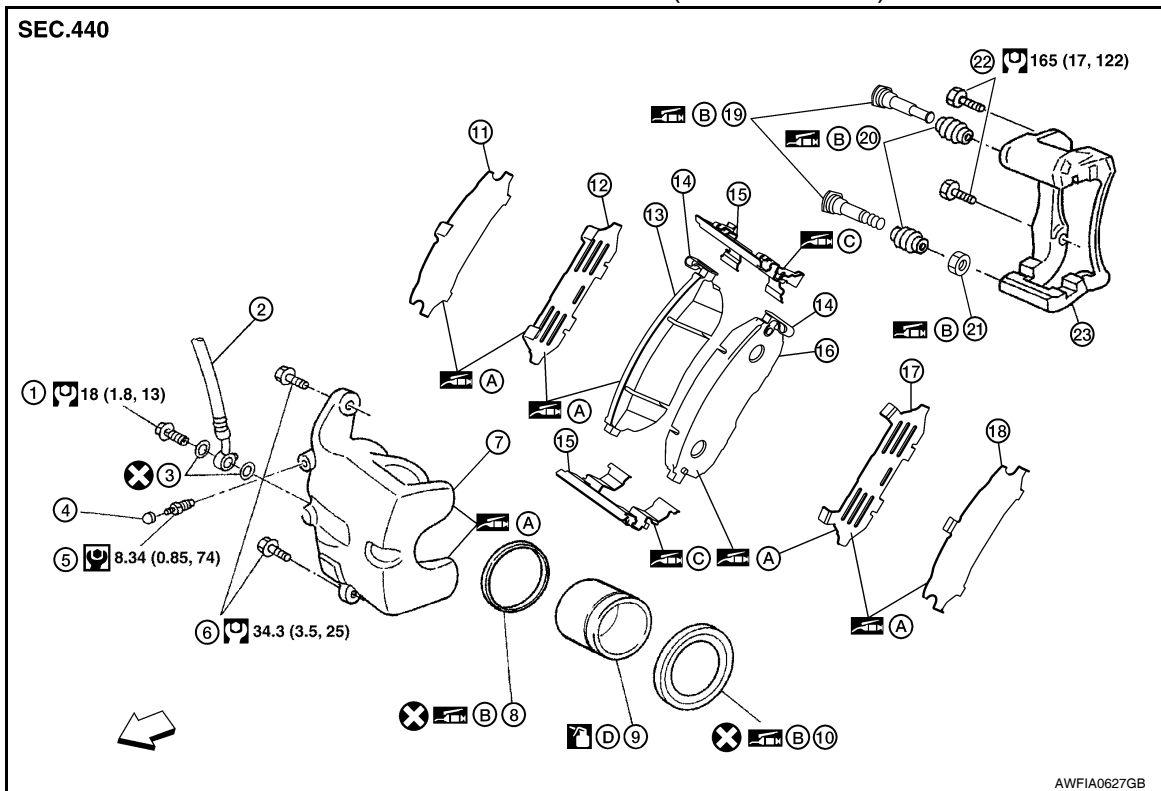


- | | | |
|----------------------------|----------------------|---------------------------|
| 1. Union bolt | 2. Brake hose | 3. Copper washer |
| 4. Cap | 5. Bleed valve | 6. Sliding pin bolt |
| 7. Cylinder body | 8. Piston seal | 9. Piston |
| 10. Piston boot | 11. Inner shim cover | 12. Inner shim |
| 13. Inner pad | 14. Pad wear sensor | 15. Pad retainer |
| 16. Outer pad | 17. Outer shim | 18. Outer shim cover |
| 19. Sliding pin | 20. Sliding pin boot | 21. Bushing |
| 22. Torque member bolt | 23. Torque member | ⇐ Front |
| A. Molykote AS-880N grease | B. Rubber grease | C. Molykote M-7439 grease |
| D. Brake fluid | E. SE-R only | |

FRONT DISC BRAKE

< SERVICE INFORMATION >

Front Disc Brakes - QR25DE (SE-R SPEC -V)



- | | | |
|----------------------------|----------------------|---------------------------|
| 1. Union bolt | 2. Brake hose | 3. Copper washer |
| 4. Cap | 5. Bleed valve | 6. Sliding pin bolt |
| 7. Cylinder body | 8. Piston seal | 9. Piston |
| 10. Piston boot | 11. Inner shim cover | 12. Inner shim |
| 13. Inner pad | 14. Pad wear sensor | 15. Pad retainer |
| 16. Outer pad | 17. Outer shim | 18. Outer shim cover |
| 19. Sliding pin | 20. Sliding pin boot | 21. Bushing |
| 22. Torque member bolt | 23. Torque member | ⇐ Front |
| A. Molykote AS-880N grease | B. Rubber grease | C. Molykote M-7439 grease |
| D. Brake fluid | | |

CAUTION:

Clean dust with a vacuum dust collector. Do not blow with compressed air.

Removal and Installation of Brake Pad

INFOID:000000006152293

WARNING:

Clean dust on caliper and brake pad with a vacuum dust collector to minimize the hazard of air borne particles or other materials.

CAUTION:

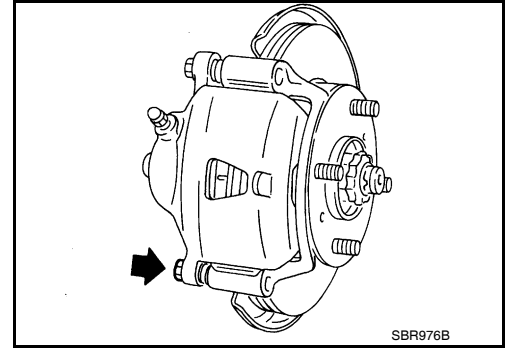
- While removing caliper, do not depress brake pedal because piston will pop out.
- It is not necessary to remove bolts on torque member and brake hose except for disassembly or replacement of caliper assembly. In this case, hang caliper with a wire so as not to stretch brake hose.
- Do not damage piston boot.
- If any shim is subject to serious corrosion, replace it with a new one.
- Always replace shim and shim cover as a set when replacing brake pads.
- Keep rotor free from brake fluid.
- Burnish the brake pads and disc rotor mutually contacting surfaces, after refinishing or replacing rotors, after replacing pads, or if a soft pedal occurs at very low mileage. Refer to [WT-7, "Adjustment"](#).

REMOVAL

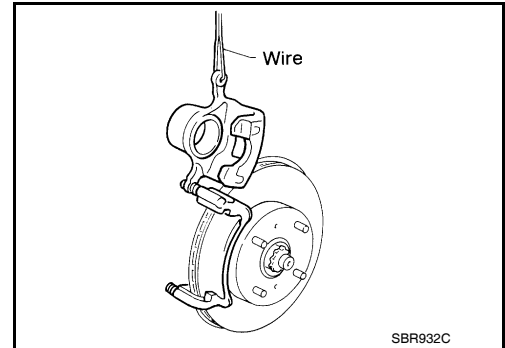
FRONT DISC BRAKE

< SERVICE INFORMATION >

1. Remove front wheels and tires using power tools.
2. Remove lower sliding pin bolt.

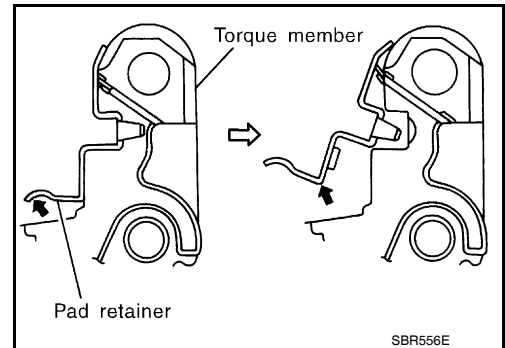


3. Swing cylinder body up and support cylinder body with a suitable wire as shown. Remove pads, shims and pad retainers from torque member.



CAUTION:

When removing pad retainer from torque member, lift pad retainer in the direction shown by arrow, so as not to deform it.



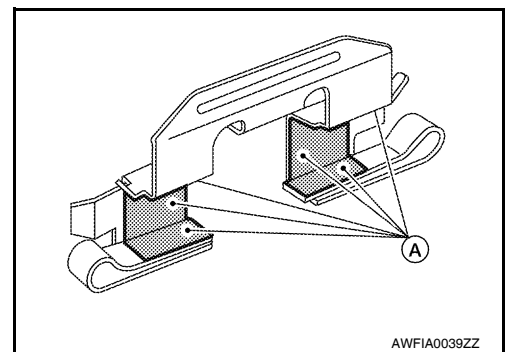
INSTALLATION

1. Apply Molykote AS-880N grease or equivalent to the shims. Install shims to pads.

CAUTION:

Securely install shims according to mounting direction of pads.

2. Apply Molykote M-7439 grease or equivalent to pad contact surfaces (A) on pad retainers. Install pad retainers and pads to the torque member.

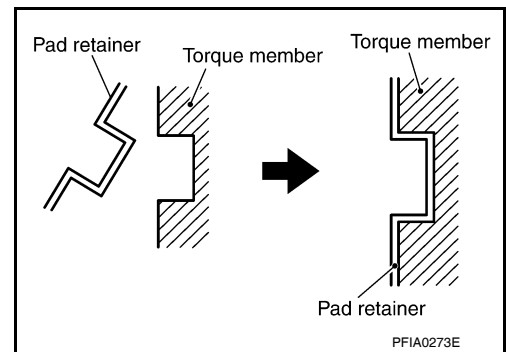


CAUTION:

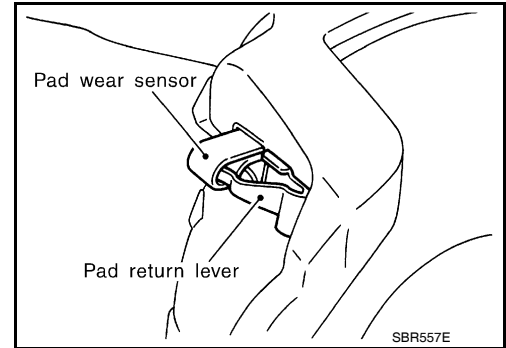
FRONT DISC BRAKE

< SERVICE INFORMATION >

- When installing pad retainer, attach it firmly so that it is not lifted up from torque member, as shown.



- If equipped, both inner and outer pads have a pad return system on the pad retainer. Install pad return lever securely to pad wear sensor.

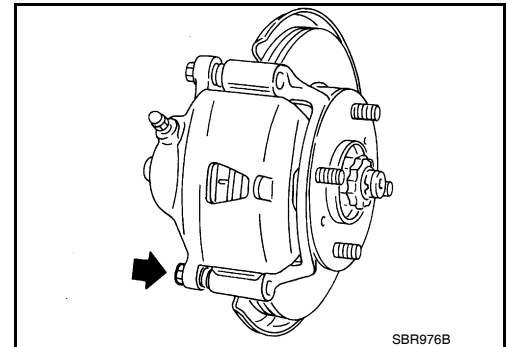


3. On SE-R models, apply Molykote AS-880N grease to inside of cylinder fingers.
4. Install the cylinder body to torque member.
 - Press the piston into the cylinder body using a suitable tool.

CAUTION:

Check the brake fluid level in the reservoir tank because brake fluid returns to master cylinder reservoir tank when pressing piston in.

5. Install lower sliding pin bolt, and tighten to the specified torque. Refer to [BR-23, "Component"](#).



6. Check front brakes for drag.
7. Install front wheels and tires. Refer to [WT-7, "Adjustment"](#).

Removal and Installation of Brake Caliper Assembly

INFOID:000000006152294

WARNING:

Clean dust on caliper and brake pad with a vacuum dust collector to minimize the hazard of air borne particles or other materials.

CAUTION:

- While removing caliper, do not depress brake pedal because piston will pop out.
- It is not necessary to remove bolts on torque member and brake hose except for disassembly or replacement of caliper assembly. In this case, hang caliper with a wire so as not to stretch brake hose.
- Do not damage piston boot.
- If any shim is subject to serious corrosion, replace it with a new one.
- Always replace shim and shim cover as a set when replacing brake pads.

FRONT DISC BRAKE

< SERVICE INFORMATION >

- Keep rotor free from brake fluid.
- Burnish the brake pads and disc rotor mutually contacting surfaces, after refinishing or replacing rotors, after replacing pads, or if a soft pedal occurs at very low mileage. Refer to [BR-31, "Brake Burnishing"](#).

REMOVAL

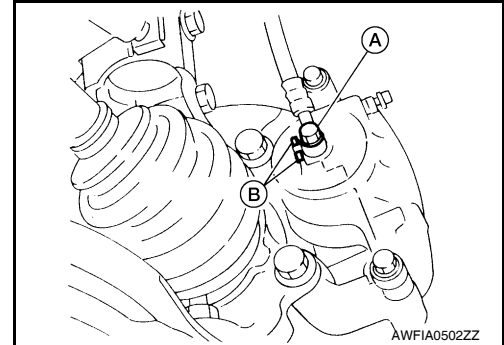
1. Remove front wheels and tires using power tools.
2. Secure disc rotor using wheel nuts.
3. Remove union bolt (A), and then disconnect brake hose from cylinder body. Discard the copper washers.
 - Protrusions (B)

CAUTION:

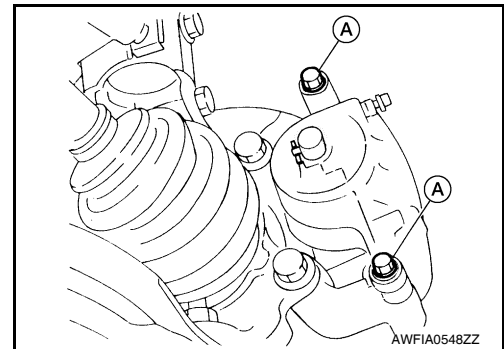
Do not reuse the copper washers.

NOTE:

Cap or plug opening(s) to prevent fluid from spilling.



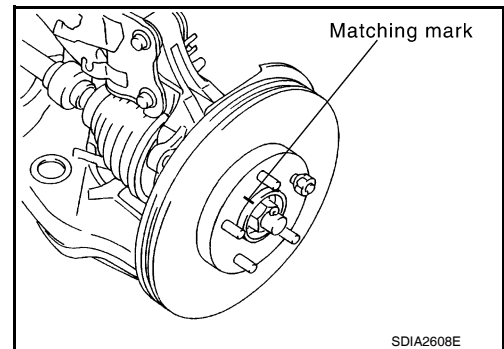
4. Remove sliding pin bolts (A) and remove cylinder body from torque member.



5. If necessary, apply matching marks then remove wheel nuts and remove disc rotor.

CAUTION:

Put matching marks on wheel hub assembly and disc rotor as shown, if it is necessary to remove disc rotor.

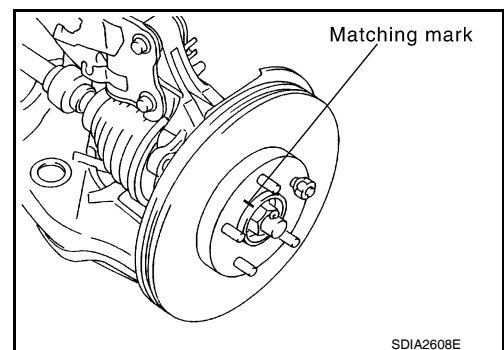


INSTALLATION

1. If removed, install disc rotor and secure using wheel nuts.

CAUTION:

Follow matching marks on wheel hub assembly and disc rotor for installation as shown.



A
B
C
D
E
BR
G
H
I
J
K
L
M
N
O
P

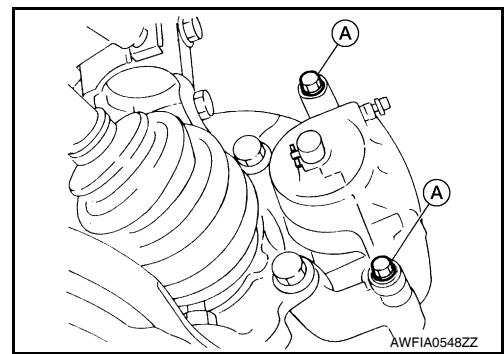
FRONT DISC BRAKE

< SERVICE INFORMATION >

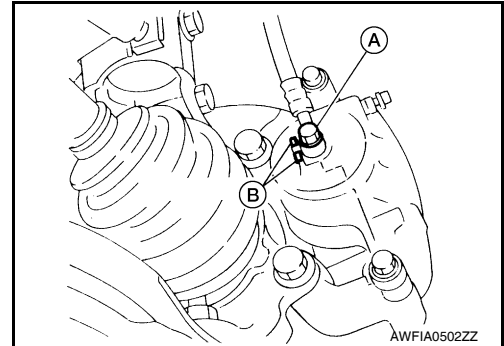
2. Install cylinder body on sliding pins, and tighten sliding pin bolts (A) to the specified torque. Refer to [BR-23, "Component"](#).

CAUTION:

Before installing cylinder body, wipe off all oil and grease on mounting surface of torque member.

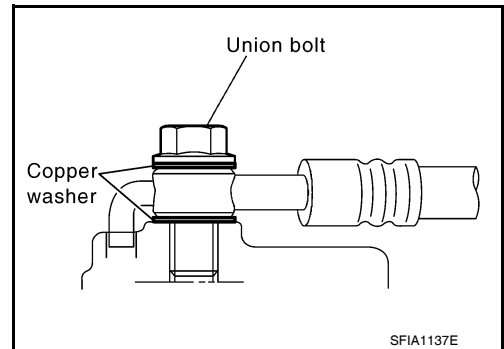


3. Install brake hose to cylinder body with new copper washers. Align the brake hose tab between the protrusions (B) on the cylinder body as shown. Tighten the union bolt (A) to specification. Refer to [BR-12, "Hydraulic Circuit"](#).



CAUTION:

Do not reuse copper washers.



4. Check front disc brake for drag.
5. Bleed the brake system. Refer to [BR-11, "Bleeding Brake System"](#).
6. Install front wheels and tires. Refer to [WT-7, "Adjustment"](#).

Disassembly and Assembly of Brake Caliper Assembly

INFOID:000000006152295

WARNING:

Clean dust on caliper and brake pad with a vacuum dust collector to minimize the hazard of air borne particles or other materials.

CAUTION:

- While removing caliper, do not depress brake pedal because piston will pop out.
- It is not necessary to remove bolts on torque member and brake hose except for disassembly or replacement of caliper assembly. In this case, hang caliper with a wire so as not to stretch brake hose.
- Do not damage piston boot.
- If any shim is subject to serious corrosion, replace it with a new one.
- Always replace shim and shim cover as a set when replacing brake pads.
- Keep rotor free from brake fluid.
- Burnish the brake pads and disc rotor mutually contacting surfaces, after refinishing or replacing rotors, after replacing pads, or if a soft pedal occurs at very low mileage. Refer to [BR-31, "Brake Burnishing"](#).

NOTE:

FRONT DISC BRAKE

< SERVICE INFORMATION >

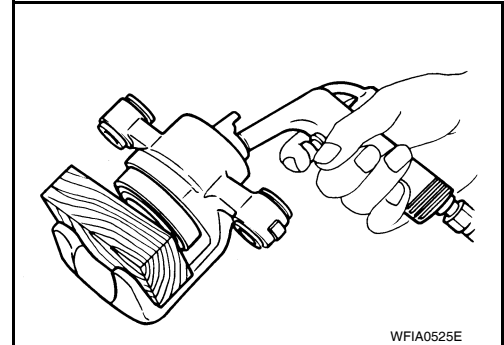
Do not remove torque member, brake pads, shims and pad retainers, when disassembling or assembling cylinder body.

DISASSEMBLY

1. Remove cylinder body from the torque member. Refer to [BR-26. "Removal and Installation of Brake Caliper Assembly"](#).
2. Place a wooden block as shown, and blow air from union bolt hole to remove piston and piston boot. Discard the piston boot.

WARNING:

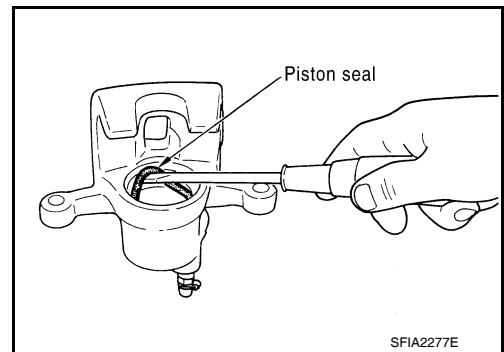
Do not place your finger in front of piston.



3. Remove piston seal using a suitable tool. Discard the piston seal.

CAUTION:

Be careful not to damage the inner wall of cylinder body.



INSPECTION AFTER DISASSEMBLY

Cylinder Body

Check the inner wall of cylinder for corrosion, wear, and damage. Replace cylinder body as necessary.

CAUTION:

Clean cylinder body using new brake fluid. Never use mineral oils such as gasoline or kerosene.

Torque Member

Check for wear, cracks, and damage. Replace torque member as necessary.

Piston

Check piston surface for corrosion, wear, and damage. Replace piston as necessary.

CAUTION:

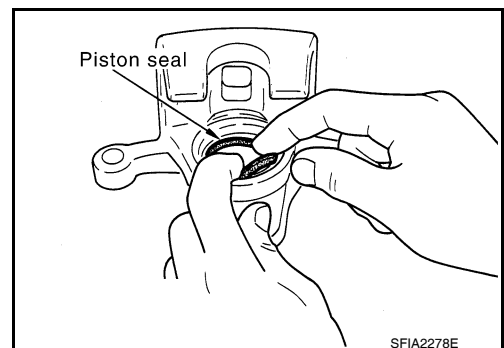
The piston sliding surface is plated. Do not polish with sandpaper.

Sliding Pin, Sliding Pin Bolt, and Sliding Pin Boot

Check sliding pins, sliding pin bolts and sliding pin boots for wear, damage, and cracks. Replace affected parts as necessary.

ASSEMBLY

1. Apply rubber grease to new piston seal and install into cylinder body.

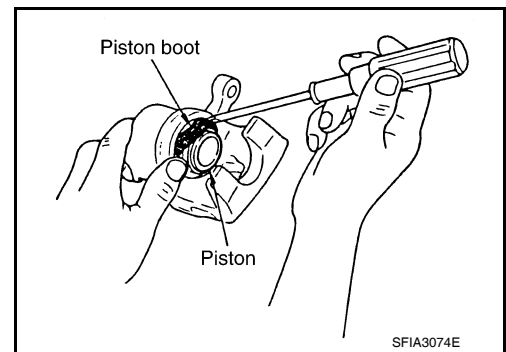


A
B
C
D
E
BR
G
H
I
J
K
L
M
N
O
P

FRONT DISC BRAKE

< SERVICE INFORMATION >

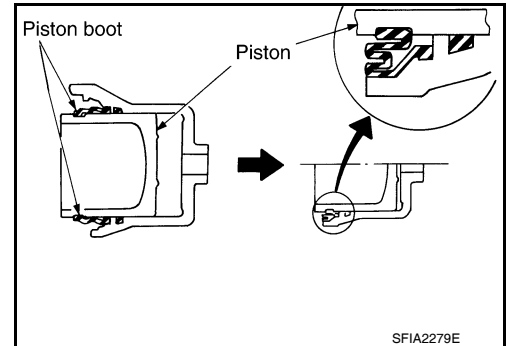
2. Apply rubber grease to new piston boot and apply brake fluid to piston. Cover the piston end with piston boot, and install cylinder-side lip on piston boot properly into groove on cylinder body using a suitable tool.



3. Press piston into cylinder body by hand to assemble piston-side lip on piston boot properly into a groove on piston.

CAUTION:

Press piston evenly and change pressing point to prevent inner wall of cylinder from being rubbed.



4. Install the cylinder body on the torque member. Refer to [BR-26, "Removal and Installation of Brake Caliper Assembly"](#).

DISC ROTOR INSPECTION

Visual Inspection

Check surfaces of disc rotor for uneven wear, cracks or serious damage. Replace as necessary.

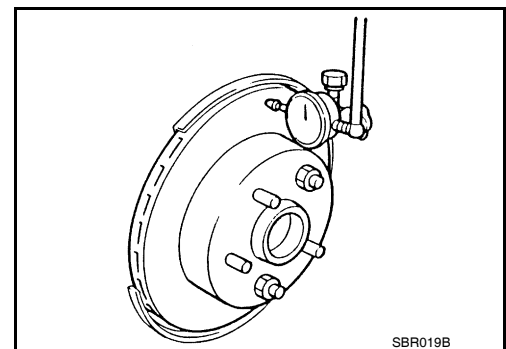
Runout Inspection

1. Secure disc rotor to wheel hub at two or more positions using wheel nuts.
2. Inspect runout using a dial gauge located at a point 10 mm (0.39 in) from the edge.

CAUTION:

Make sure that wheel bearing axial end play is within the specifications before measuring runout. Refer to [FAX-6, "On-Vehicle Inspection and Service"](#).

Runout limit : Refer to [BR-47, "Front Disc Brake"](#).



3. If runout is outside the limit, find the minimum runout point by shifting the mounting positions of disc rotor and wheel hub by one hole.
4. If runout is still out of specification, turn the disc rotor using Tool until runout is with the specified limit.

Tool number : 38-PFM90.5 (—)

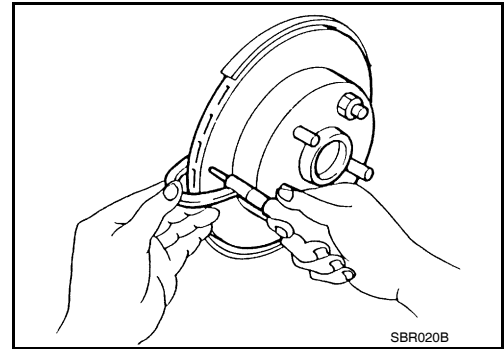
Thickness Inspection

FRONT DISC BRAKE

< SERVICE INFORMATION >

Using a micrometer, check thickness of disc rotor. If thickness is outside the specification, replace disc rotor.

Repair limit thickness : Refer to [BR-47, "Front Disc Brake"](#).



INFOID:000000006152296

Brake Burnishing

Burnish the new braking surfaces according to following procedure after refinishing or replacing disc rotors, pads, or if a soft pedal occurs at very low mileage.

CAUTION:

- **Be careful of vehicle speed because brake does not operate easily until pad and disc rotor are securely fitted.**
 - **Only perform this procedure under safe road and traffic conditions. Use extreme caution.**
1. Drive vehicle on straight, flat road.
 2. Depress brake pedal with the power to stop vehicle within 3 to 5 seconds until the vehicle stops.
 3. Drive without depressing brake pedal for a few minutes to cool brake.
 4. Repeat steps 1 to 3 until pad and disc rotor are securely fitted.

REAR DISC BRAKE

< SERVICE INFORMATION >

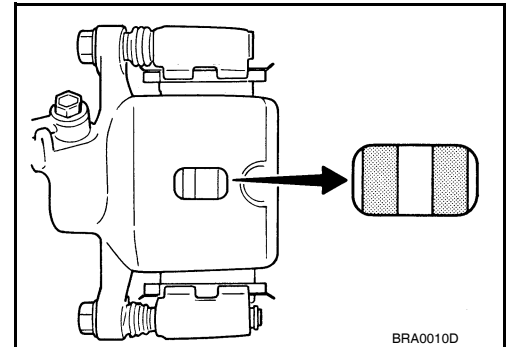
REAR DISC BRAKE

On Board Inspection

INFOID:000000006152297

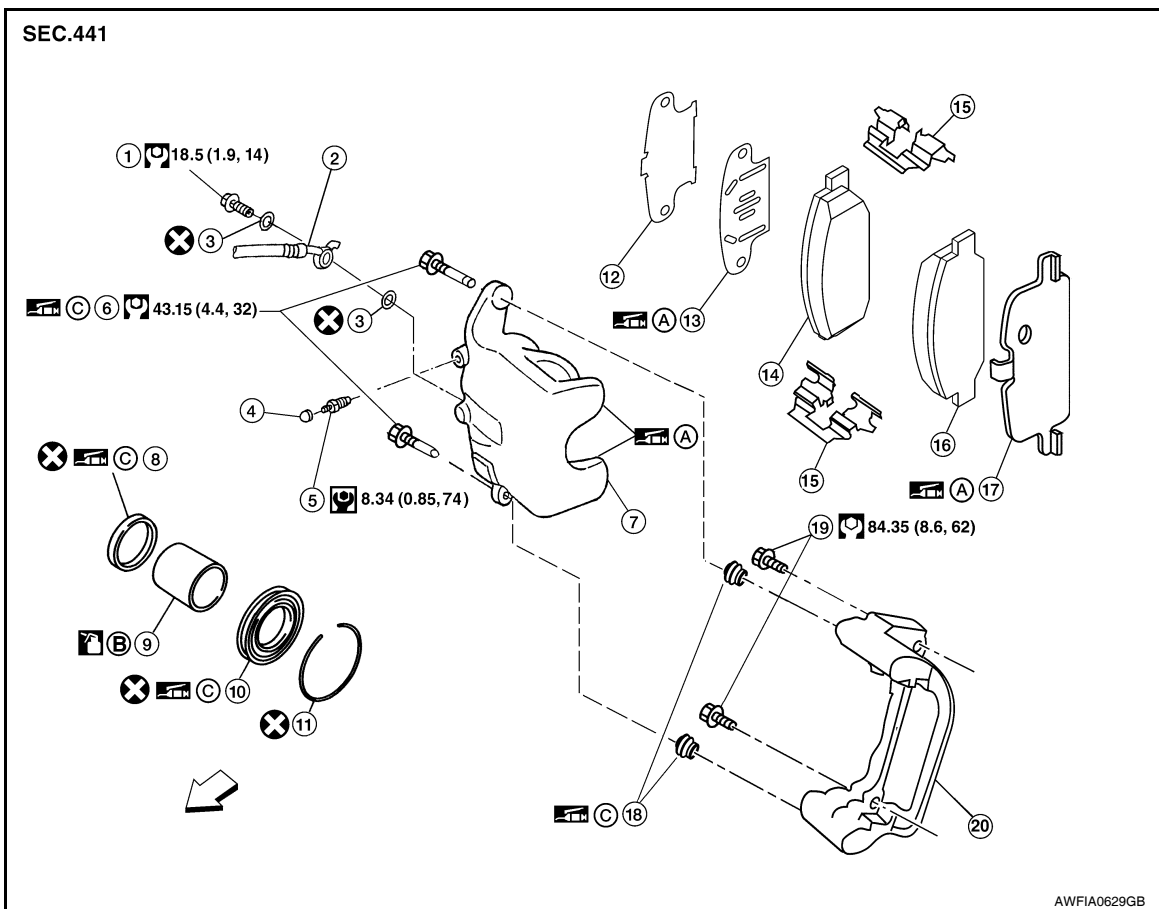
PAD WEAR INSPECTION

Inspect pad thickness from check hole in cylinder body. Refer to [BR-47, "Rear Disc Brake"](#).



Component

INFOID:000000006152298



- | | | |
|----------------------------|-------------------------------|----------------------|
| 1. Union bolt | 2. Brake hose | 3. Copper washer |
| 4. Cap | 5. Air bleeder | 6. Sliding pin |
| 7. Cylinder body | 8. Piston seal | 9. Piston |
| 10. Piston boot | 11. Retaining ring | 12. Inner shim cover |
| 13. Inner shim | 14. Inner pad | 15. Pad retainer |
| 16. Outer pad | 17. Outer cover (multi-layer) | 18. Sliding pin boot |
| 19. Torque member bolts | 20. Torque member | ⇐ Front |
| A. Molykote AS-880N grease | B. Brake fluid | C. Rubber grease |

REAR DISC BRAKE

< SERVICE INFORMATION >

CAUTION:

- Clean dust with a vacuum dust collector. Do not blow with compressed air.
- Make sure parking brake lever is released completely.

Removal and Installation of Brake Pad

INFOID:000000006152299

WARNING:

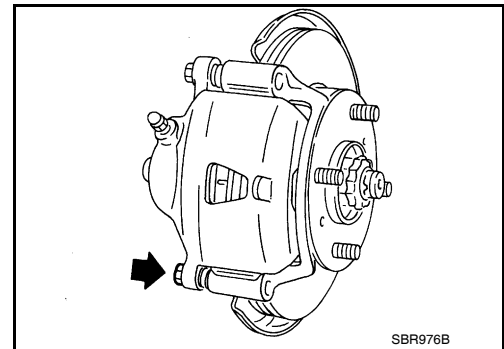
Clean dust on caliper and brake pad with a vacuum dust collector to minimize the hazard of air borne particles or other materials.

CAUTION:

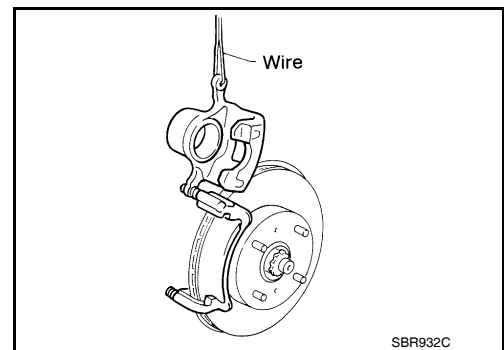
- While removing caliper, do not depress brake pedal because piston will pop out.
- It is not necessary to remove bolts on torque member and brake hose except for disassembly or replacement of caliper assembly. In this case, hang caliper with a wire so as not to stretch brake hose.
- Do not damage piston boot.
- If any shim is subject to serious corrosion, replace it with a new one.
- Always replace shim and shim cover as a set when replacing brake pads.
- Keep rotor free from brake fluid.
- Burnish the brake pads and disc rotor mutually contacting surfaces, after refinishing or replacing rotors, after replacing pads, or if a soft pedal occurs at very low mileage. Refer to [BR-39, "Brake Burnishing"](#).

REMOVAL

1. Remove rear wheels and tires using power tool.
2. Remove lower sliding pin.



3. Swing cylinder body up and support cylinder body with a suitable wire as shown. Remove pads, shim, covers and pad retainers from torque member.

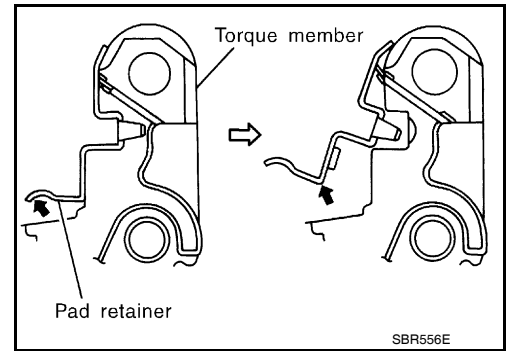


CAUTION:

REAR DISC BRAKE

< SERVICE INFORMATION >

When removing pad retainer from torque member, lift pad retainer in the direction shown by arrow, so as not to deform it.

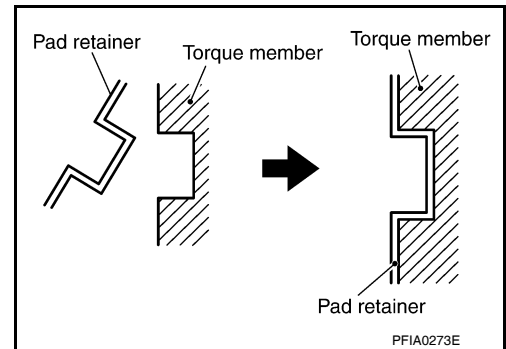


INSTALLATION

1. Apply Molykote AS-880N grease between the inner shim and inner shim cover. Apply Molykote AS-880N grease inside the outer cover.
2. Attach the inner shim and inner shim cover to the inner pad, and the outer cover to the outer pad.
3. Install the pad retainers and assembled pads on the torque member.

CAUTION:

- When installing pad retainer, attach it firmly so that it is not lifted up from torque member, as shown.

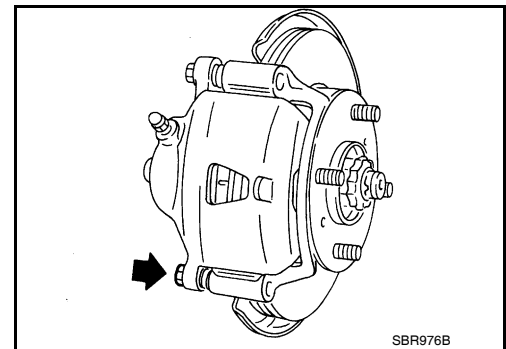


4. Install the cylinder body to the torque member.
 - Press the piston into the cylinder body using a suitable tool.

CAUTION:

Check the brake fluid level in the reservoir tank because brake fluid returns to master cylinder reservoir tank when pressing piston in.

5. Install the lower sliding pin and tighten to the specified torque. Refer to [BR-32, "Component"](#).



6. Check rear brakes for drag.
7. Install rear wheels and tires. Refer to [WT-7, "Adjustment"](#).

Removal and Installation of Caliper Assembly

INFOID:000000006152300

WARNING:

Clean dust on caliper and brake pad with a vacuum dust collector to minimize the hazard of air borne particles or other materials.

CAUTION:

- While removing caliper, do not depress brake pedal because piston will pop out.

REAR DISC BRAKE

< SERVICE INFORMATION >

- It is not necessary to remove bolts on torque member and brake hose except for disassembly or replacement of caliper assembly. In this case, hang caliper with a wire so as not to stretch brake hose. A
- Do not damage piston boot. B
- If any shim is subject to serious corrosion, replace it with a new one. B
- Always replace shim and shim cover as a set when replacing brake pads. C
- Keep rotor free from brake fluid. C
- Burnish the brake pads and disc rotor mutually contacting surfaces, after refinishing or replacing rotors, after replacing pads, or if a soft pedal occurs at very low mileage. Refer to [WT-7, "Adjustment"](#). C

REMOVAL

1. Remove rear wheels and tires using power tool. D
2. Secure disc rotor using wheel nuts. D
3. Remove the union bolt to disconnect the rear brake hose. Discard the copper washers. E

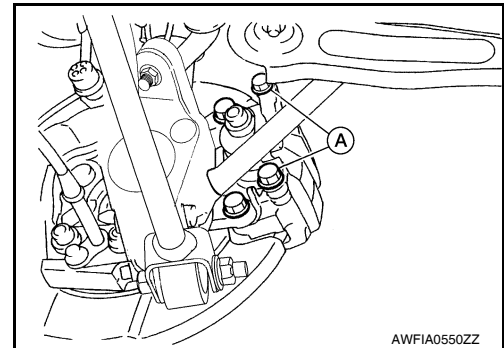
CAUTION:

Do not reuse the copper washers.

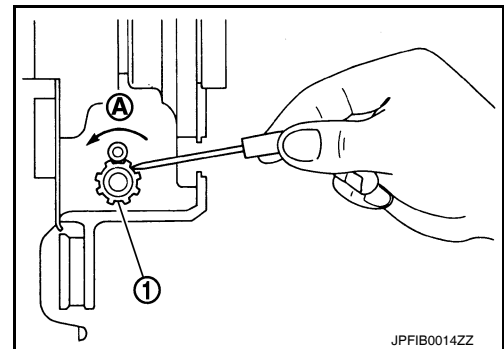
NOTE:

Cap or plug opening(s) to prevent fluid from spilling.

4. Remove sliding pins (A) and remove cylinder body from torque member. E



5. If necessary, remove torque member and disc rotor. If the disc rotor cannot be removed, remove as follows: G
 - Make sure parking brake lever is completely disengaged. H
 - Hold down the disc rotor with the wheel nut and remove the adjuster hole plug. I
 - Insert a flat-bladed screwdriver through the plug opening and rotate the star wheel (1) on the adjuster assembly in the direction (A) shown to loosen and retract the brake shoes. J
 - Prior to removing disc rotor, make alignment mark using a marker between the hub and disc rotor. K
 - Remove wheel nut and rotor. L



INSTALLATION

1. If necessary, install disc rotor and torque member. M
 - Align marks made during removal on the hub and disc rotor. N

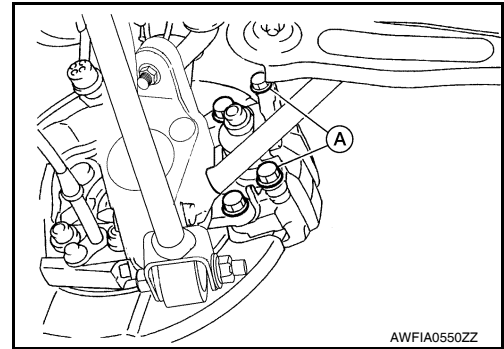
REAR DISC BRAKE

< SERVICE INFORMATION >

2. Install cylinder body to the torque member and tighten sliding pins (A) to the specified torque. Refer to [BR-32, "Component"](#).

CAUTION:

Before installing cylinder body, wipe off oil and grease on mounting surfaces of cylinder body.



3. Install brake hose with new copper washers to cylinder body and tighten union bolt to the specified torque. Refer to [BR-32, "Component"](#).

CAUTION:

- Do not reuse the copper washers.
- Align brake hose protrusion to groove on cylinder body.

4. Adjust the parking brake. Refer to [PB-5, "On-Vehicle Service"](#).
5. Bleed the brake system. Refer to [BR-11, "Bleeding Brake System"](#).
6. Install rear wheels and tires. Refer to [WT-7, "Adjustment"](#).

Disassembly and Assembly of Caliper Assembly

INFOID:000000006152301

WARNING:

Clean dust on caliper and brake pad with a vacuum dust collector to minimize the hazard of air borne particles or other materials.

CAUTION:

- While removing caliper, do not depress brake pedal because piston will pop out.
- It is not necessary to remove bolts on torque member and brake hose except for disassembly or replacement of caliper assembly. In this case, hang caliper with a wire so as not to stretch brake hose.
- Do not damage piston boot.
- If any shim is subject to serious corrosion, replace it with a new one.
- Always replace shim and shim cover as a set when replacing brake pads.
- Keep rotor free from brake fluid.
- Burnish the brake pads and disc rotor mutually contacting surfaces, after refinishing or replacing rotors, after replacing pads, or if a soft pedal occurs at very low mileage. Refer to [BR-39, "Brake Burnishing"](#).

NOTE:

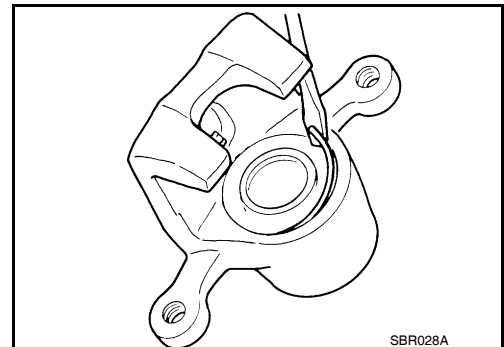
Do not remove torque member, brake pads, shims and pad retainers, when disassembling or assembling cylinder body.

DISASSEMBLY

1. Remove the cylinder body from the torque member. Refer to [BR-34, "Removal and Installation of Caliper Assembly"](#).
2. Remove sliding pin boot from the torque member.
3. Remove the retaining ring from the cylinder body using a suitable tool as shown. Discard the retaining ring.

CAUTION:

Do not reuse the retaining ring.



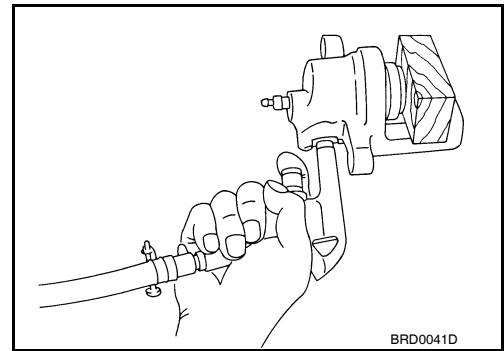
REAR DISC BRAKE

< SERVICE INFORMATION >

- Place a wooden block as shown, and blow air from union bolt hole to remove piston and piston boot.

WARNING:

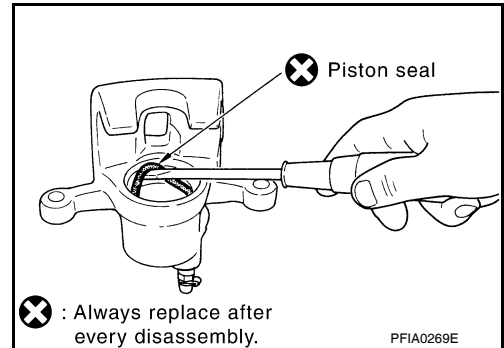
Do not place your finger in front of piston.



- Remove piston seal from cylinder body using a suitable tool as shown.

CAUTION:

Be careful not to damage cylinder inner wall.



INSPECTION AFTER DISASSEMBLY

Cylinder Body

Check the inner wall of cylinder for corrosion, wear, and damage. Replace cylinder body as necessary.

CAUTION:

Clean cylinder body using new brake fluid. Never use mineral oils such as gasoline or kerosene.

Torque Member

Check for wear, cracks, and damage. Replace torque member as necessary.

Piston

Check piston surface for corrosion, wear, and damage. Replace piston as necessary.

CAUTION:

The piston sliding surface is plated. Do not polish with sandpaper.

Sliding Pin and Sliding Pin Boot

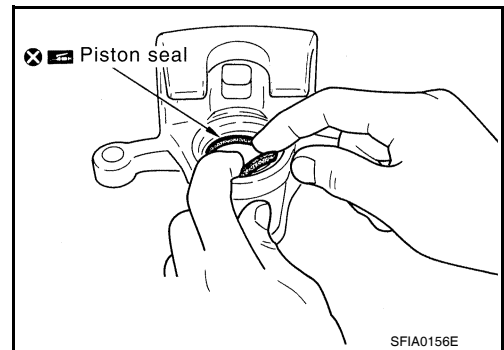
Check sliding pins and sliding pin boots for wear, damage, and cracks. Replace affected parts as necessary.

ASSEMBLY

- Apply a rubber grease to the new piston seal and install into the cylinder body.

CAUTION:

Do not reuse the piston seals.



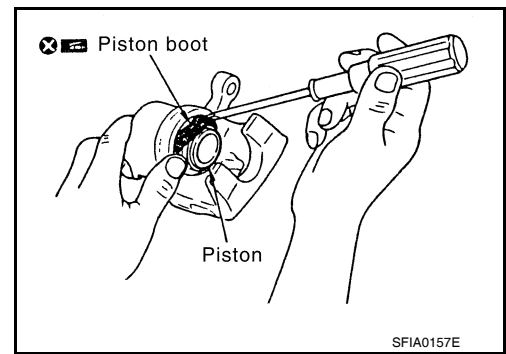
REAR DISC BRAKE

< SERVICE INFORMATION >

2. Apply rubber grease to the new piston boot and install on the piston, then firmly insert the new piston boot cylinder-side lip into the cylinder body groove.

CAUTION:

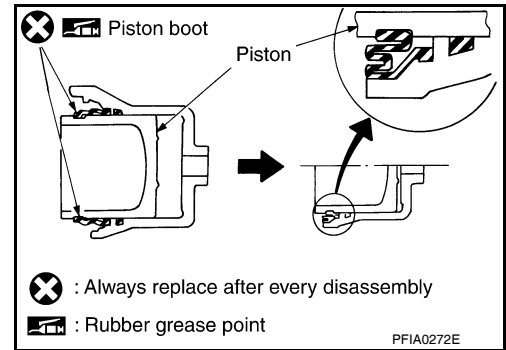
Do not reuse the piston boot.



3. Apply a brake fluid to the piston then insert it into the cylinder body by hand and firmly attach the new piston boot piston-side lip into the new piston boot.

CAUTION:

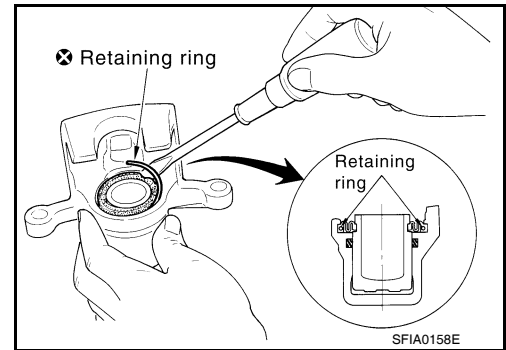
Press the piston evenly and vary the pressing point to prevent cylinder inner wall from being rubbed.



4. Install the new retaining ring to hold the piston boot.

CAUTION:

- Make sure the boot is firmly in the cylinder body groove.
- Do not reuse the retaining ring.



5. Attach the sliding pin boot to the torque member.
6. Install the cylinder body on the torque member. Refer to [BR-34, "Removal and Installation of Caliper Assembly"](#).

DISC ROTOR INSPECTION

Visual Inspection

Check surface of the disc rotor for uneven wear, cracks or serious damage. Replace as necessary.

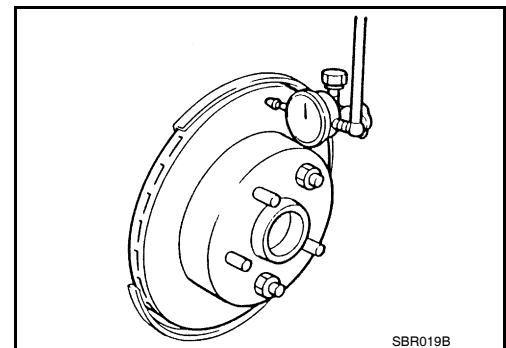
Runout Inspection

1. Secure disc rotor to the wheel hub in two or more positions, using wheel nuts.
2. Inspect runout using a dial gauge located at a point 10 mm (0.39 in) from the edge.

CAUTION:

Before measuring, make sure the axle end play is with specification. Refer to [RAX-6, "On-Vehicle Inspection and Service"](#).

Runout limit : Refer to [BR-47, "Rear Disc Brake"](#).



REAR DISC BRAKE

< SERVICE INFORMATION >

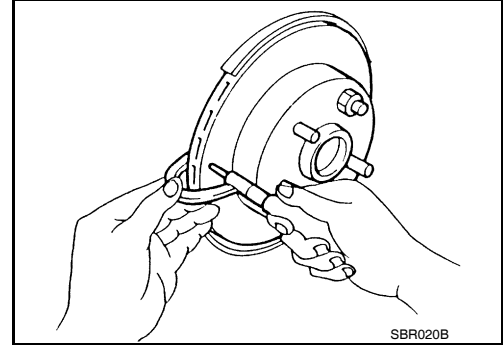
3. If runout is outside the limit, find the minimum runout point by shifting mounting positions of the disc rotor and wheel hub by one hole.
4. If runout is still out of specification, turn the disc rotor using Tool until runout is with the specified limit.

Tool number : 38-PFM90.5 (—)

Thickness Inspection

Using a micrometer, check thickness of the disc rotor. If thickness is not within specification, replace disc rotor.

Repair limit thickness : Refer to [BR-47, "Rear Disc Brake"](#).



INFOID:000000006152302

Brake Burnishing

Burnish the new braking surfaces according to following procedure after refinishing or replacing disc rotors, pads, or if a soft pedal occurs at very low mileage.

CAUTION:

- **Be careful of vehicle speed because brake does not operate easily until pad and disc rotor are securely fitted.**
 - **Only perform this procedure under safe road and traffic conditions. Use extreme caution.**
1. Drive vehicle on straight, flat road.
 2. Depress brake pedal with the power to stop vehicle within 3 to 5 seconds until the vehicle stops.
 3. Drive without depressing brake pedal for a few minutes to cool brake.
 4. Repeat steps 1 to 3 until pad and disc rotor are securely fitted.

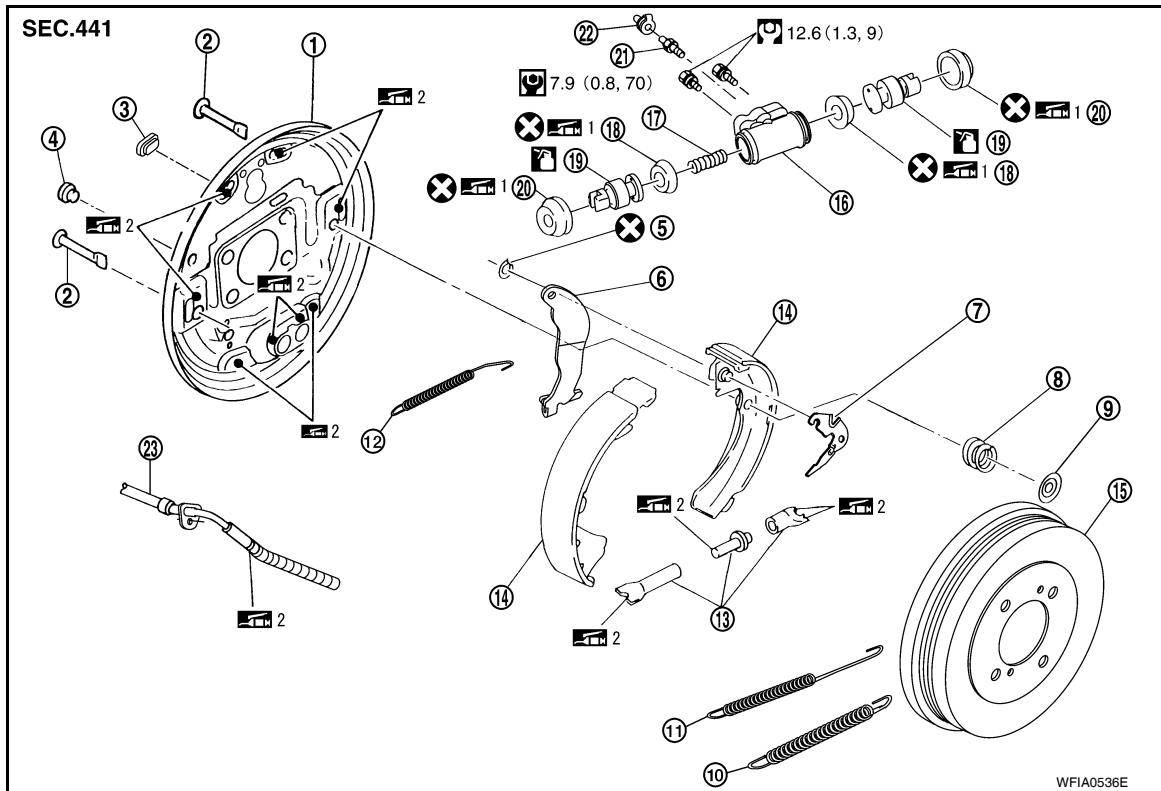
REAR DRUM BRAKE

< SERVICE INFORMATION >

REAR DRUM BRAKE

Component

INFOID:000000006152303



- | | | |
|--------------------------------|--------------------------------|---------------------|
| 1. Back plate | 2. Shoe hold pin | 3. Plug |
| 4. Plug | 5. Retainer ring | 6. Operating lever |
| 7. Adjuster lever | 8. Spring | 9. Retainer |
| 10. Return spring (lower side) | 11. Return spring (upper side) | 12. Adjuster spring |
| 13. Adjuster | 14. Brake shoe | 15. Brake drum |
| 16. Wheel cylinder | 17. Spring | 18. Piston cup |
| 19. Piston | 20. Boot | 21. Bleed valve |
| 22. Cap | 23. Parking brake rear cable | |
- 1: NISSAN rubber lubricant (KRE12 00030)
 2: NISSAN brake grease (KRF00 00005)
 : Brake fluid

CAUTION:

- Clean dust on drum and back plate with a vacuum dust collector. Do not blow with compressed air.
- Make sure parking brake lever is released completely.

Removal and Installation of Drum Brake Assembly

INFOID:000000006152304

WARNING:

Clean dust with a vacuum dust collector to minimize the hazard of air borne particles or other materials.

CAUTION:

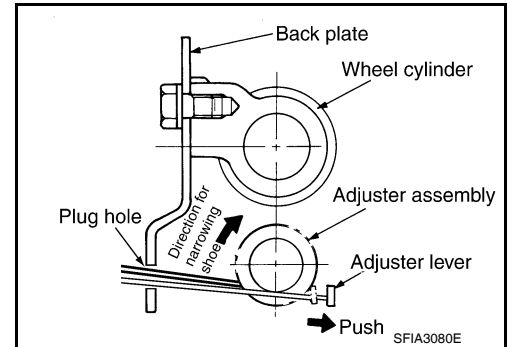
- While removing brake shoes, do not depress brake pedal because wheel cylinder pistons will pop out.
- It is not necessary to disconnect brake tube except for disassembly or replacement of wheel cylinder assembly.
- Keep drum free from brake fluid.

REMOVAL

REAR DRUM BRAKE

< SERVICE INFORMATION >

1. Remove rear wheels and tires using power tools.
2. With the parking brake lever released, remove the brake drum. If it is difficult to remove the brake drum, use the following procedure.
 - a. Remove the plug from the back plate.
 - b. Press up adjuster lever with a suitable tool from the plug hole (at the side of wheel cylinder) on the back plate as shown. Turn the frame of the adjuster assembly using a suitable tool in the direction that narrows the expanded brake shoes.



3. While pushing and rotating the retainer, pull out the shoe hold pin, and remove the brake shoe assembly.

CAUTION:

Do not damage the wheel cylinder boot.

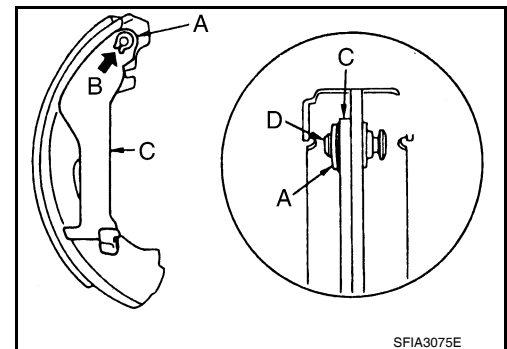
4. Disconnect the parking brake rear cable from the operating lever.

CAUTION:

Do not bend the parking brake cable.

5. Disassemble the brake shoe assembly (brake shoes, springs, adjuster and adjuster lever).

6. Remove the retainer ring (A) with a suitable tool to separate the operating lever (C) from brake shoe.
 - Contact point (B)
 - Pin (D)



INSPECTION AFTER REMOVAL

Lining Thickness Inspection

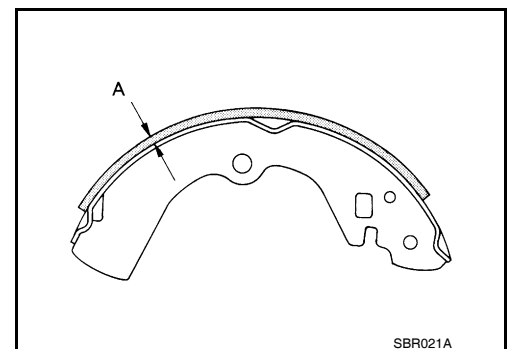
Check lining thickness.

Standard thickness (A)

: Refer to [BR-48, "Rear Drum Brake"](#).

Repair limit thickness (A)

: Refer to [BR-48, "Rear Drum Brake"](#).



Drum Inner Diameter Inspection

REAR DRUM BRAKE

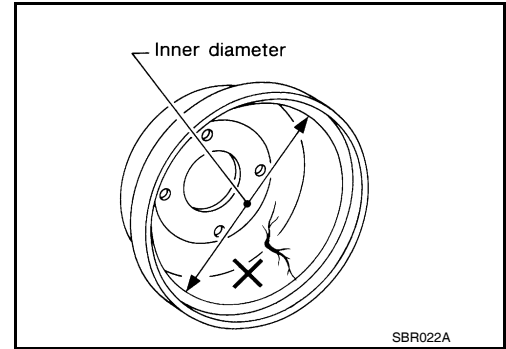
< SERVICE INFORMATION >

Check inner diameter of brake drum.

Measurement area: lining contact surface (center)

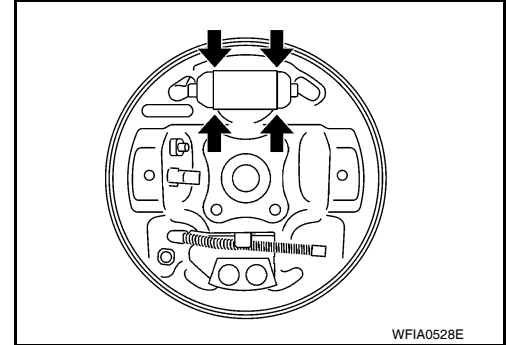
Standard inner diameter : Refer to [BR-48, "Rear Drum Brake"](#).

Repair limit inner diameter : Refer to [BR-48, "Rear Drum Brake"](#).



Wheel Cylinder Leakage Inspection

- Check wheel cylinder for brake fluid leakage.
- Check for wear, damage, and looseness. If any non-standard condition is found, replace it.



Other Inspections

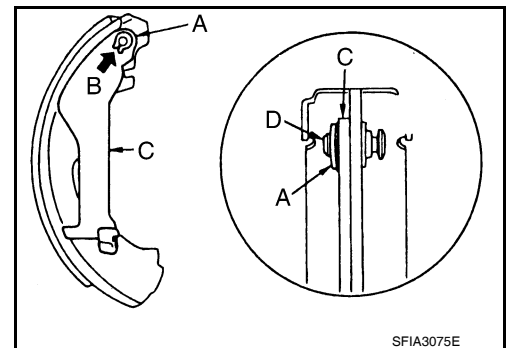
Check the following:

- Inside of the drum for excessive wear, damage, and cracks.
- Lining for excessive wear, damage, and peeling.
- Shoe sliding surface for excessive wear and damage.
- Return spring for sagging.
- Check back plate for damage, cracks, and deformation. Replace back plate as necessary.

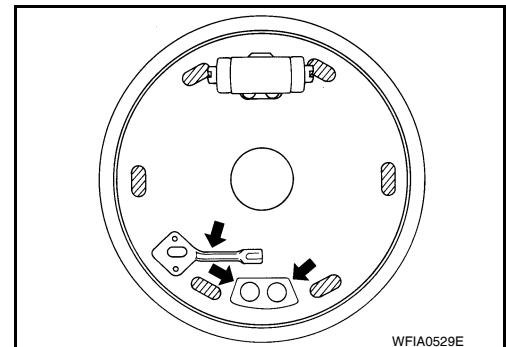
Replace applicable part as necessary.

INSTALLATION

1. Install the operating lever (C) using the following procedure.
 - a. Position operating lever (C) on brake shoe.
 - b. Install retainer ring (A) on operating lever (C), and crimp them until their contact points (B) are met.
 - Pin (D)



2. Apply NISSAN brake grease (KRF00 00005) to brake shoes sliding surfaces (the shaded areas) and other parts on the back plate as indicated by arrows.

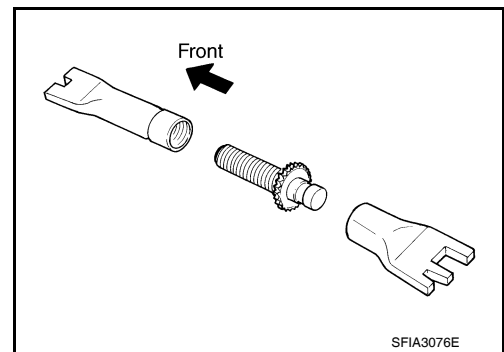


REAR DRUM BRAKE

< SERVICE INFORMATION >

3. Apply NISSAN brake grease (KRF00 00005) to screw and confirm the difference between right and left wheel for assembling when disassembled.

Right rear wheel **Thread cutting direction** : **Right-hand screw direction**
Left rear wheel **Thread cutting direction** : **Left-hand screw direction**



4. Assemble the shoe, adjuster, adjuster lever and springs on the shoe assembly.
5. Connect the parking brake rear cable to the operating lever.
6. Install the shoe assembly. After installation be sure that each part is installed properly.
CAUTION:
Do not damage the wheel cylinder piston boot.
7. Install the brake drum.
8. Depress brake pedal approximately 2 to 3 times.
9. Adjust the clearance of brake shoe.
10. Install rear wheels and tires. Refer to [WT-7, "Adjustment"](#).

Removal and Installation of Wheel Cylinder

INFOID:000000006152305

WARNING:

Clean dust with a vacuum dust collector to minimize the hazard of air borne particles or other materials.

CAUTION:

- While removing brake shoes, do not depress brake pedal because wheel cylinder pistons will pop out.
- It is not necessary to disconnect brake tube except for disassembly or replacement of wheel cylinder assembly.
- Keep drum free from brake fluid.

REMOVAL

1. Remove the rear drum brake assembly. Refer to [BR-40, "Removal and Installation of Drum Brake Assembly"](#).
2. Disconnect the brake tube from the wheel cylinder.
NOTE:
Cap or plug opening(s) to prevent fluid from spilling.
3. Remove the wheel cylinder bolts, and then remove wheel cylinder from the back plate.

INSTALLATION

Installation is in the reverse order of removal.

- Tighten bolts to the specified torque. Refer to [BR-40, "Component"](#).
- Bleed the brake system. Refer to [BR-11, "Bleeding Brake System"](#).

Disassembly and Assembly of Wheel Cylinder

INFOID:000000006152306

WARNING:

Clean dust with a vacuum dust collector to minimize the hazard of air borne particles or other materials.

CAUTION:

- While removing brake shoes, do not depress brake pedal because wheel cylinder pistons will pop out.
- It is not necessary to disconnect brake tube except for disassembly or replacement of wheel cylinder assembly.
- Keep drum free from brake fluid.

DISASSEMBLY

REAR DRUM BRAKE

< SERVICE INFORMATION >

1. Remove the wheel cylinder. Refer to [BR-43. "Removal and Installation of Wheel Cylinder"](#).
2. Remove the boots from the ends of the wheel cylinder and discard the boots.

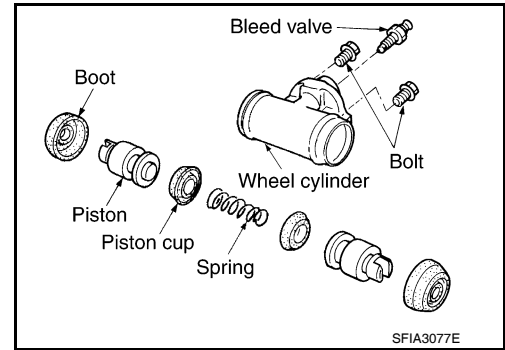
CAUTION:

Do not reuse the boots.

3. Pull out the pistons from the wheel cylinder.
4. Remove piston cups from the piston and discard the piston cups.

CAUTION:

Do not reuse the piston cups.



5. Remove the bleed valve and cap.

INSPECTION AFTER DISASSEMBLY

Check the pistons, spring, and inner wall of the cylinder for wear, corrosion, and damage. If malfunction is detected, replace it.

ASSEMBLY

CAUTION:

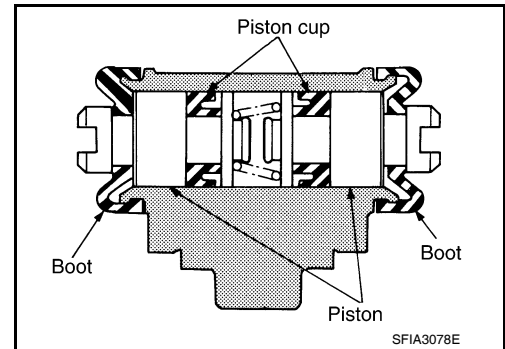
Do not use NISSAN rubber grease (KRE00 00010, KRE00 00011) during assembly.

1. Install the bleed valve and cap, tighten to specification. Refer to [BR-40. "Component"](#).
2. Apply brake fluid to the piston sliding surface on the wheel cylinder.
3. Apply NISSAN rubber lubricant (KRE12 00030) to the piston cups and boots. Assemble the spring, piston cups, and piston inside the wheel cylinder as shown.

CAUTION:

When inserting the piston, be careful not to scratch the wheel cylinder wall.

4. Install the boots on the wheel cylinder securing them in the grooves as shown.



5. Install the wheel cylinder. Refer to [BR-43. "Removal and Installation of Wheel Cylinder"](#).

SERVICE DATA AND SPECIFICATIONS (SDS)

< SERVICE INFORMATION >

SERVICE DATA AND SPECIFICATIONS (SDS)

General Specification

INFOID:000000006152307

Unit: mm (in)

Applied model		MR20DE	QR25DE	
		Base, S, SR, SL	SE-R	SE-R SPEC-V
Front disc brake	Brake model	CLZ25VB	CLZ25VJ	AD25V
	Cylinder bore diameter	57.2 (2.252)	57.2 (2.252)	57.15 (2.250)
	Pad thickness	11 (0.433)	11 (0.433)	11 (0.433)
	Rotor outer diameter × thickness	280 × 24.0 (11.02 × 0.945)	296 × 26.0 (11.65 × 1.024)	320 × 28.0 (12.60 × 1.102)
Rear disc brake	Brake model	—	AD9A/DS17	
	Cylinder bore diameter	—	34.93 (1.375)	
	Pad thickness	—	8.5 (0.335)	
	Rotor outer diameter × thickness	—	292 × 9.0 (11.50 × 0.354)	
Rear drum brake	Brake model	LT23E	—	—
	Cylinder bore diameter	19.05 (0.750)	—	—
	Lining Length × width × thickness	194.1 × 35 × 2.9 (7.642 × 1.378 × 0.114)	—	—
	Drum inner diameter	228.6 (9.000)	—	—
Master cylinder	Cylinder bore diameter	23.81 (0.937)		
Brake booster	Booster model	C255		
	Diaphragm diameter	255 (10.04)		
Recommended brake fluid		DOT 3		

A
B
C
D
E
BR
G
H
I
J
K
L
M
N
O
P

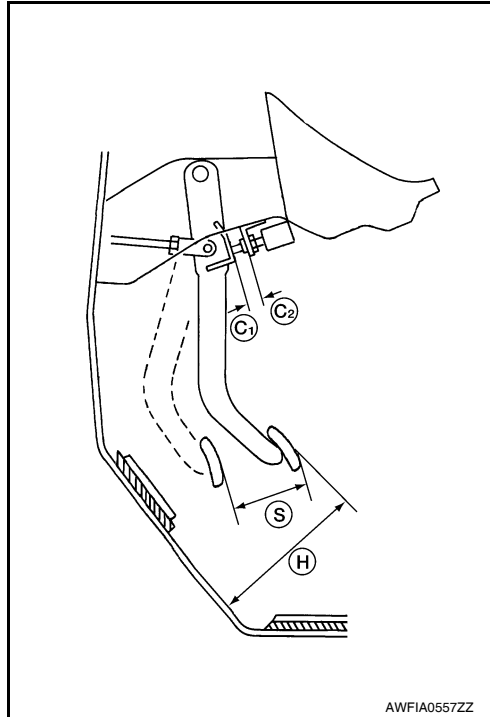
SERVICE DATA AND SPECIFICATIONS (SDS)

< SERVICE INFORMATION >

Brake Pedal

INFOID:000000006152308

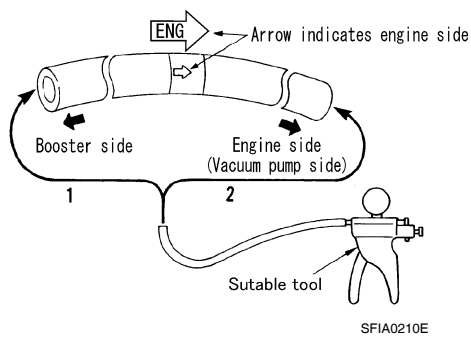
Unit: mm (in)



Brake pedal height (H) (from dash lower panel top surface)	164.0 - 174.0 (6.46 - 6.85)
Brake pedal full stroke (S)	135.1 (5.32)
Clearance between pedal stopper bracket and threaded end of the stop lamp switch (C1) and ASCDCancel switch (C2), if equipped.	0.74 - 1.96 (0.0291 - 0.0772)

Check Valve

INFOID:000000006152309



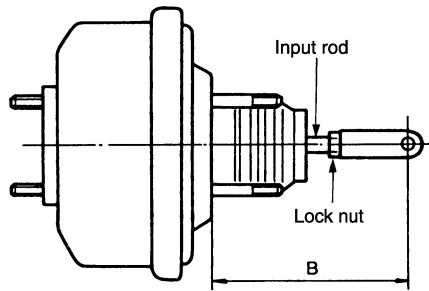
Vacuum leakage when connected to booster side (1) [at vacuum of - 66.7 kPa (- 500 mmHg, - 19.69 inHg)]	Within 1.3 kPa (10 mmHg, 0.39 inHg) of vacuum for 15 seconds
Vacuum leakage when connected to engine side (2)	No vacuum will be applied.

SERVICE DATA AND SPECIFICATIONS (SDS)

< SERVICE INFORMATION >

Brake Booster

INFOID:000000006152310



SGIA0060E

Input rod installation standard length (B)	163.2 - 164.2 mm (6.43 - 6.46 in)
Vacuum leakage [at vacuum of - 66.7 kPa (- 500 mmHg, -19.69 inHg)]	Within 1.3 kPa (10 mmHg, 0.39 inHg) of vacuum for 15 seconds

Front Disc Brake

INFOID:000000006152312

CLZ25VB

Unit: mm (in)

Brake pad	Standard thickness (new)	11 (0.433)
	Repair limit thickness	2.0 (0.079)
Disc rotor	Standard thickness (new)	24.0 (0.945)
	Repair limit thickness	22.0 (0.866)
	Runout limit	0.035 (0.0014)
	Maximum uneven wear (measured at 8 positions)	0.02 (0.0008) or less

CLZ25VJ

Unit: mm (in)

Brake pad	Standard thickness (new)	11 (0.433)
	Repair limit thickness	2.0 (0.079)
Disc rotor	Standard thickness (new)	26.0 (1.024)
	Repair limit thickness	24.0 (0.945)
	Runout limit	0.035 (0.0014)
	Maximum uneven wear (measured at 8 positions)	0.02 (0.0008) or less

AD25V

Unit: mm (in)

Brake pad	Standard thickness (new)	11 (0.433)
	Repair limit thickness	2.0 (0.079)
Disc rotor	Standard thickness (new)	28.0 (1.102)
	Repair limit thickness	26.0 (1.024)
	Runout limit	0.035 (0.0014)
	Maximum uneven wear (measured at 8 positions)	0.02 (0.0008) or less

Rear Disc Brake

INFOID:000000006152313

AD9A/DS17

SERVICE DATA AND SPECIFICATIONS (SDS)

< SERVICE INFORMATION >

Unit: mm (in)

Brake pad	Standard thickness (new)	8.5 (0.335)
	Repair limit thickness	2.0 (0.079)
Disc rotor	Standard thickness (new)	9.0 (0.354)
	Repair limit thickness	8.0 (0.315)
	Runout limit	0.07 (0.0028)
	Maximum uneven wear (measured at 8 positions)	0.015 (0.0006) or less

Rear Drum Brake

INFOID:000000006152314

LT23E

Unit: mm (in)

Brake lining	Standard thickness (new)	2.9 (0.114)
	Repair limit thickness	1.5 (0.059)
Drum	Standard inner diameter (new)	228.6 (9.000)
	Repair limit inner diameter	230.0 (9.055)