

A

ACC

SECTION ACC

ACCELERATOR CONTROL SYSTEM

C

CONTENTS

D

E

ACCELERATOR CONTROL SYSTEM 2	SERVICE DATA AND SPECIFICATIONS (SDS) 3	F
Removal and Installation 2	Accelerator Control 3	
REMOVAL 2	PEDAL TRAVEL 3	
INSTALLATION 2		G

H

I

J

K

L

M

ACCELERATOR CONTROL SYSTEM

ACCELERATOR CONTROL SYSTEM

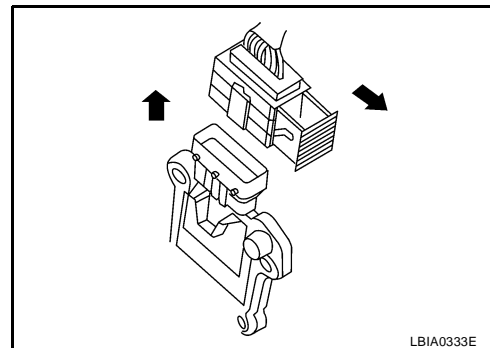
PF:18005

Removal and Installation

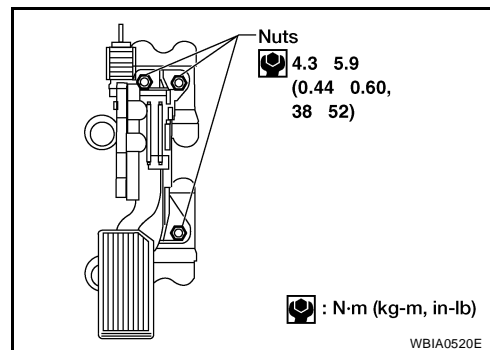
EBS00DTP

REMOVAL

1. Disconnect the accelerator pedal position sensor electrical connector.
 - a. Pull the connector lock back to unlock the connector from the accelerator pedal position sensor.
 - b. Pull up on the connector to disconnect it from the accelerator pedal position sensor.



2. Remove the two upper and one lower accelerator pedal assembly nuts.



3. Remove the accelerator pedal assembly.
 - For electrical inspection of the accelerator pedal position sensor. Refer to [EC-514, "DTC P2122, P2123 APP SENSOR"](#) and [EC-521, "DTC P2127, P2128 APP SENSOR"](#) (QG18DE) or [EC-1110, "DTC P2122, P2123 APP SENSOR"](#) and [EC-1117, "DTC P2127, P2128 APP SENSOR"](#) (QR25DE).

CAUTION:

- Do not disassemble the accelerator pedal assembly. Do not remove the accelerator pedal position sensor from the accelerator pedal assembly.
- Avoid impact from dropping the accelerator pedal assembly during handling.
- Keep the accelerator pedal assembly away from water.

INSTALLATION

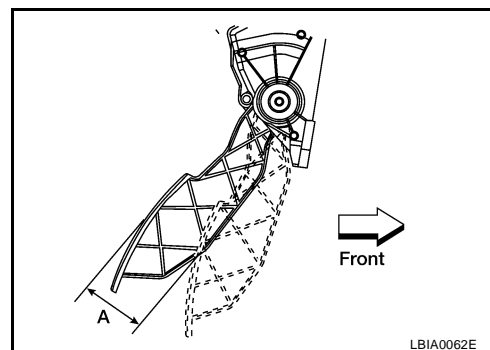
Installation is in the reverse order of removal.

- Check the accelerator pedal for smooth operation. There should be no binding or sticking when applying or releasing the accelerator pedal.
- Check that the accelerator pedal moves through the full specified distance of the specified pedal travel "A".

Pedal Travel "A" : 52.6 - 58.2 mm (2.07 - 2.29 in)

CAUTION:

When the accelerator pedal position sensor harness connector is disconnected, perform the "Accelerator Pedal Released Position Learning". Refer to [EC-670, "Accelerator Pedal Released Position Learning"](#).



SERVICE DATA AND SPECIFICATIONS (SDS)

SERVICE DATA AND SPECIFICATIONS (SDS)

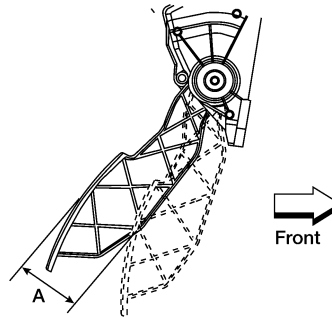
PF0:00030

Accelerator Control PEDAL TRAVEL

EBS00EWA

A

ACC



LBIA0062E

Accelerator pedal - total travel "A"

52.6 - 58.2 mm (2.07 - 2.29 in)

C

D

E

F

G

H

I

J

K

L

M

SERVICE DATA AND SPECIFICATIONS (SDS)
