

MWI

SECTION

METER, WARNING LAMP & INDICATOR

A
B
C
D
E
F
G
H
I
J
K
L
M
N
O
P

CONTENTS

<p>PRECAUTION 4</p> <p>PRECAUTIONS 4</p> <p style="padding-left: 20px;">Precaution for Supplemental Restraint System (SRS) "AIR BAG" and "SEAT BELT PRE-TENSIONER"4</p> <p>SYSTEM DESCRIPTION 5</p> <p>COMPONENT PARTS 5</p> <p>METER SYSTEM5</p> <p style="padding-left: 20px;">METER SYSTEM : Component Parts Location5</p> <p style="padding-left: 20px;">METER SYSTEM : Component Description6</p> <p>SYSTEM 8</p> <p>METER SYSTEM8</p> <p style="padding-left: 20px;">METER SYSTEM : System Diagram8</p> <p style="padding-left: 20px;">METER SYSTEM : System Description8</p> <p style="padding-left: 20px;">METER SYSTEM : Arrangement of Combination Meter9</p> <p style="padding-left: 20px;">METER SYSTEM : Fail-Safe9</p> <p>SPEEDOMETER 10</p> <p style="padding-left: 20px;">SPEEDOMETER : System Diagram 11</p> <p style="padding-left: 20px;">SPEEDOMETER : System Description 11</p> <p>TACHOMETER 11</p> <p style="padding-left: 20px;">TACHOMETER : System Diagram 11</p> <p style="padding-left: 20px;">TACHOMETER : System Description 11</p> <p>ENGINE COOLANT TEMPERATURE GAUGE 11</p> <p style="padding-left: 20px;">ENGINE COOLANT TEMPERATURE GAUGE : System Diagram 11</p> <p style="padding-left: 20px;">ENGINE COOLANT TEMPERATURE GAUGE : System Description 11</p> <p>FUEL GAUGE 11</p> <p style="padding-left: 20px;">FUEL GAUGE : System Diagram 12</p> <p style="padding-left: 20px;">FUEL GAUGE : System Description 12</p> <p>OIL PRESSURE WARNING LAMP 12</p>	<p style="padding-left: 20px;">OIL PRESSURE WARNING LAMP : System Diagram12</p> <p style="padding-left: 20px;">OIL PRESSURE WARNING LAMP : System Description12</p> <p>METER ILLUMINATION CONTROL12</p> <p style="padding-left: 20px;">METER ILLUMINATION CONTROL : System Diagram 12</p> <p style="padding-left: 20px;">METER ILLUMINATION CONTROL : System Description 12</p> <p>INFORMATION DISPLAY13</p> <p style="padding-left: 20px;">INFORMATION DISPLAY : System Diagram13</p> <p style="padding-left: 20px;">INFORMATION DISPLAY : System Description13</p> <p>COMPASS14</p> <p style="padding-left: 20px;">COMPASS : System Description14</p> <p>DIAGNOSIS SYSTEM (COMBINATION METER)16</p> <p style="padding-left: 20px;">Description16</p> <p style="padding-left: 20px;">CONSULT Function (METER/M&A)17</p> <p>ECU DIAGNOSIS INFORMATION20</p> <p>COMBINATION METER20</p> <p style="padding-left: 20px;">Reference Value20</p> <p style="padding-left: 20px;">Fail-Safe25</p> <p style="padding-left: 20px;">DTC Index26</p> <p>BCM (BODY CONTROL MODULE)27</p> <p style="padding-left: 20px;">List of ECU Reference27</p> <p>WIRING DIAGRAM28</p> <p>METER SYSTEM28</p> <p style="padding-left: 20px;">Wiring Diagram28</p> <p>COMPASS44</p> <p style="padding-left: 20px;">Wiring Diagram44</p> <p>BASIC INSPECTION46</p>
---	---

MWI

DIAGNOSIS AND REPAIR WORKFLOW	46	PARKING BRAKE SWITCH SIGNAL CIRCUIT	61
Work flow	46	Component Function Check	61
DTC/CIRCUIT DIAGNOSIS	48	Diagnosis Procedure	61
U1000 CAN COMM CIRCUIT	48	Component Inspection	62
DTC Logic	48	AMBIENT SENSOR SIGNAL CIRCUIT	63
Diagnosis Procedure	48	Description	63
U1010 CONTROL UNIT (CAN)	49	Diagnosis Procedure	63
Description	49	Component Inspection	63
DTC Logic	49	A/C AUTO AMP. CONNECTION RECOGNITION SIGNAL CIRCUIT	65
Diagnosis Procedure	49	Description	65
B2205 VEHICLE SPEED	50	Diagnosis Procedure	65
Description	50	WASHER LEVEL SWITCH SIGNAL CIRCUIT.. 66	
DTC Logic	50	Description	66
Diagnosis Procedure	50	Diagnosis Procedure	66
B2267 ENGINE SPEED	51	Component Inspection	66
Description	51	SYMPTOM DIAGNOSIS	68
DTC Logic	51	THE FUEL GAUGE INDICATOR DOES NOT OPERATE	68
Diagnosis Procedure	51	Description	68
B2268 WATER TEMP	52	Diagnosis Procedure	68
Description	52	THE STEERING SWITCH (METER CONTROL SWITCH) IS INOPERATIVE	69
DTC Logic	52	Description	69
Diagnosis Procedure	52	Diagnosis Procedure	69
POWER SUPPLY AND GROUND CIRCUIT	53	THE ILLUMINATION CONTROL SWITCH IS INOPERATIVE	70
COMBINATION METER	53	Description	70
COMBINATION METER : Diagnosis Procedure ...	53	Diagnosis Procedure	70
BCM (BODY CONTROL SYSTEM) (WITH INTELLIGENT KEY SYSTEM)	53	THE OIL PRESSURE WARNING LAMP DOES NOT TURN ON	71
BCM (BODY CONTROL SYSTEM) (WITH INTELLIGENT KEY SYSTEM) : Diagnosis Procedure	53	Description	71
BCM (BODY CONTROL SYSTEM) (WITHOUT INTELLIGENT KEY SYSTEM)	54	Diagnosis Procedure	71
BCM (BODY CONTROL SYSTEM) (WITHOUT INTELLIGENT KEY SYSTEM) : Diagnosis Procedure	54	THE OIL PRESSURE WARNING LAMP DOES NOT TURN OFF	72
STEERING SWITCH (METER CONTROL SWITCH) SIGNAL CIRCUIT	56	Description	72
Diagnosis Procedure	56	Diagnosis Procedure	72
Component Inspection	56	THE DOOR OPEN WARNING CONTINUES DISPLAYING, OR DOES NOT DISPLAY	73
ILLUMINATION CONTROL SWITCH SIGNAL CIRCUIT	57	Description	73
Diagnosis Procedure	57	Diagnosis Procedure	73
Component Inspection	57	THE PARKING BRAKE RELEASE WARNING CONTINUES DISPLAYING, OR DOES NOT DISPLAY	74
FUEL LEVEL SENSOR SIGNAL CIRCUIT	59	Description	74
Description	59	Diagnosis Procedure	74
Component Function Check	59	THE AMBIENT TEMPERATURE DISPLAY IS INCORRECT	75
Diagnosis Procedure	59		
Component Inspection	60		

Description	75	COMBINATION METER	77	
Diagnosis Procedure	75	Exploded View	77	A
THE LOW WASHER FLUID WARNING LAMP		Removal and Installation	77	
DOES NOT TURN ON OR OFF	76	Disassembly and Assembly	77	B
Description	76	STEERING SWITCH	79	B
Diagnosis Procedure	76	Removal and Installation	79	
REMOVAL AND INSTALLATION	77	ILLUMINATION CONTROL SWITCH	80	C
		Removal and Installation	80	

D
E
F
G
H
I
J
K
L
M
O
P

MWI

PRECAUTIONS

< PRECAUTION >

PRECAUTION

PRECAUTIONS

Precaution for Supplemental Restraint System (SRS) "AIR BAG" and "SEAT BELT PRE-TENSIONER"

INFOID:000000008833629

The Supplemental Restraint System such as "AIR BAG" and "SEAT BELT PRE-TENSIONER", used along with a front seat belt, helps to reduce the risk or severity of injury to the driver and front passenger for certain types of collision. Information necessary to service the system safely is included in the SR and SB section of this Service Manual.

WARNING:

- To avoid rendering the SRS inoperative, which could increase the risk of personal injury or death in the event of a collision which would result in air bag inflation, all maintenance must be performed by an authorized NISSAN/INFINITI dealer.
- Improper maintenance, including incorrect removal and installation of the SRS, can lead to personal injury caused by unintentional activation of the system. For removal of Spiral Cable and Air Bag Module, see the SR section.
- Do not use electrical test equipment on any circuit related to the SRS unless instructed to in this Service Manual. SRS wiring harnesses can be identified by yellow and/or orange harnesses or harness connectors.

PRECAUTIONS WHEN USING POWER TOOLS (AIR OR ELECTRIC) AND HAMMERS

WARNING:

- When working near the Airbag Diagnosis Sensor Unit or other Airbag System sensors with the Ignition ON or engine running, DO NOT use air or electric power tools or strike near the sensor(s) with a hammer. Heavy vibration could activate the sensor(s) and deploy the air bag(s), possibly causing serious injury.
- When using air or electric power tools or hammers, always switch the Ignition OFF, disconnect the battery and wait at least 3 minutes before performing any service.

COMPONENT PARTS

< SYSTEM DESCRIPTION >

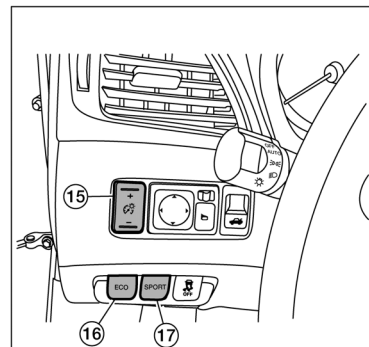
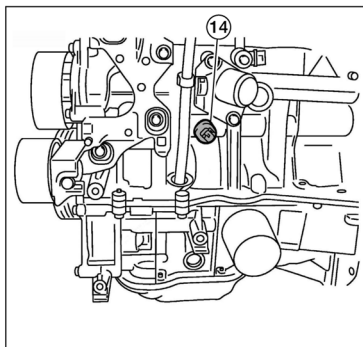
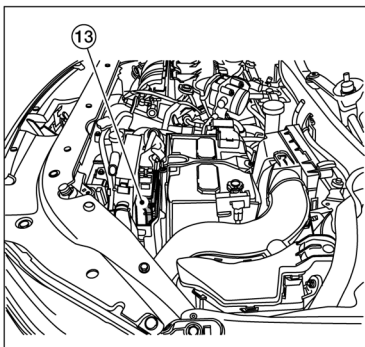
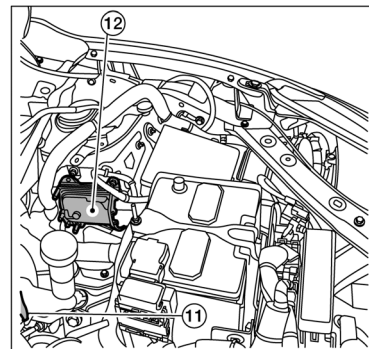
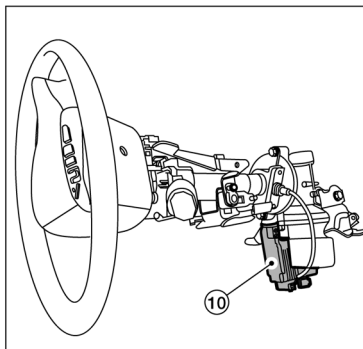
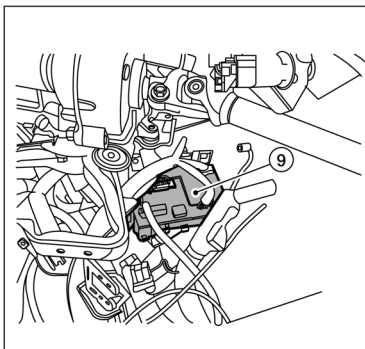
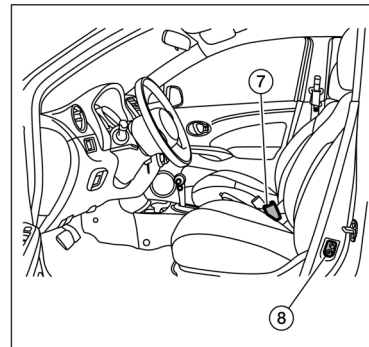
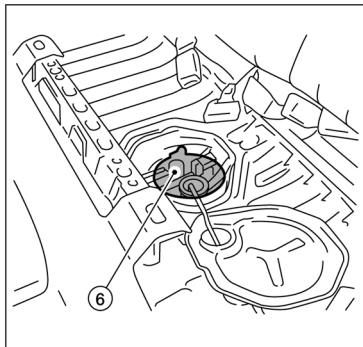
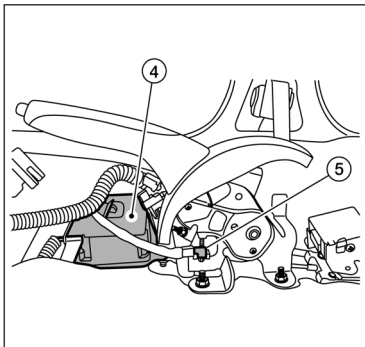
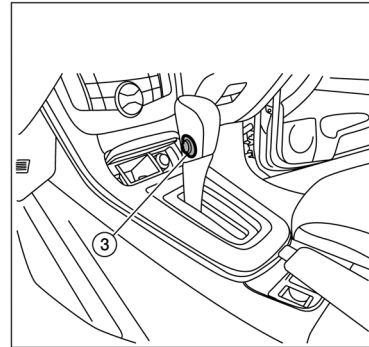
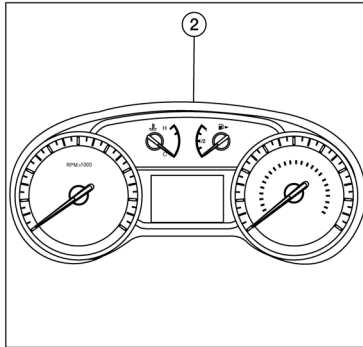
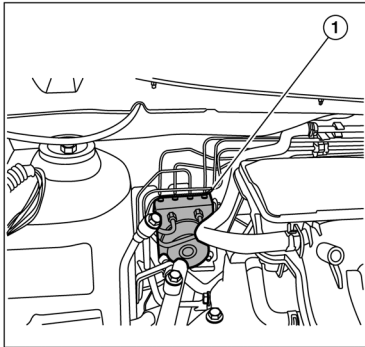
SYSTEM DESCRIPTION

COMPONENT PARTS

METER SYSTEM

METER SYSTEM : Component Parts Location

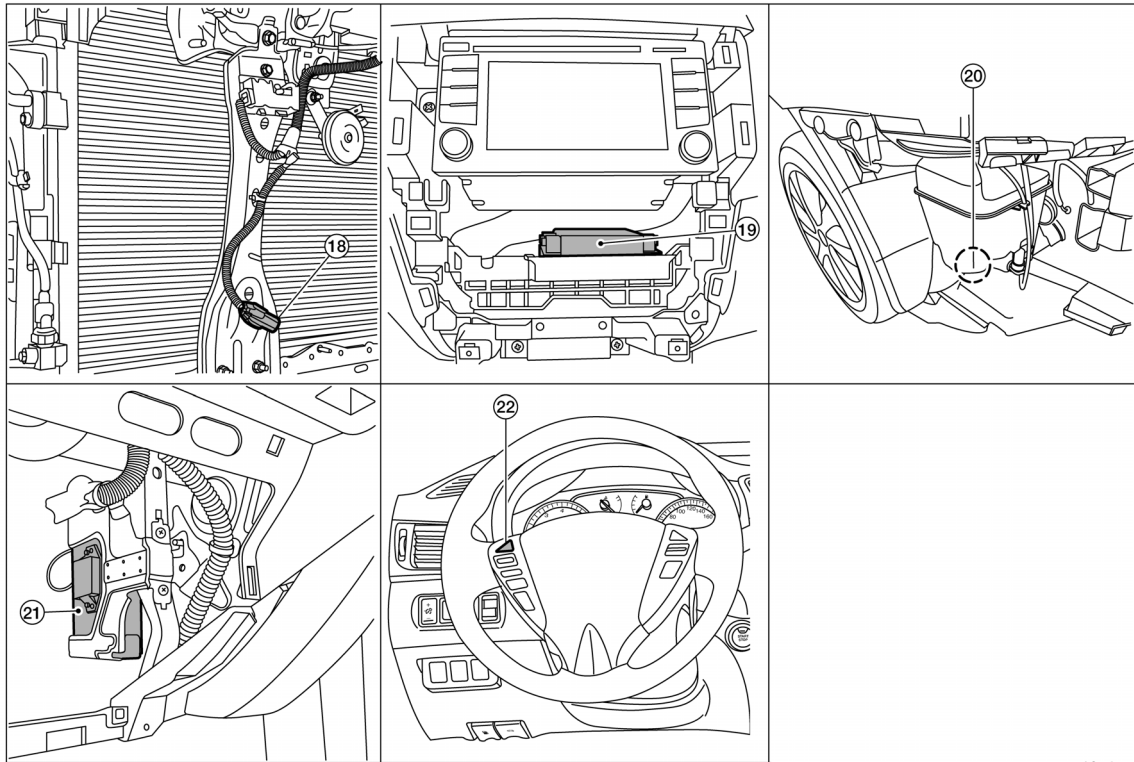
INFOID:000000008813837



A
B
C
D
E
F
G
H
I
J
K
L
M
MWI
O
P

COMPONENT PARTS

< SYSTEM DESCRIPTION >



AWNIA2856ZZ

- | | | |
|--|--|--|
| 1. ABS actuator and electric unit (control unit) | 2. Combination meter | 3. CVT shift selector (O/D OFF switch) |
| 4. Parking brake switch (view with center console removed) | 5. Air bag diagnosis sensor unit (view with center console assembly removed) | 6. Fuel level sensor unit and fuel pump (view with fuel pump inspection cover removed) |
| 7. Seat belt buckle switch LH (RH similar) | 8. Front door switch LH (RH similar) | 9. BCM (view with instrument panel removed) |
| 10. Power steering control module (view with steering column assembly removed) | 11. Brake fluid level switch | 12. TCM |
| 13. ECM | 14. Engine oil pressure sensor | 15. Illumination control switch |
| 16. ECO mode switch | 17. Sport mode switch | 18. Ambient sensor |
| 19. A/C auto amp (with auto A/C) (view with A/C switch assembly removed) | 20. Washer fluid level switch (view with front fascia removed) | 21. Bluetooth® control unit (view with glove box assembly removed) |
| 22. Steering switch | | |

METER SYSTEM : Component Description

INFOID:000000008813838

Unit	Description
Combination meter	Controls the following with the signals received from each unit via CAN communication and the signals from switches and sensors: <ul style="list-style-type: none"> • Speedometer • Tachometer • Engine coolant temperature gauge • Fuel gauge • Warning lamps • Indicator lamps • Meter illumination control • Information display
Steering switch	Transmits the meter control switch signal to the combination meter.

COMPONENT PARTS

< SYSTEM DESCRIPTION >

Unit	Description	
Illumination control switch	Transmits the following signals to the combination meter: <ul style="list-style-type: none"> • Illumination control switch signal (+) • Illumination control switch signal (-) 	A
ECM	Transmits the following signals to the combination meter via CAN communication: <ul style="list-style-type: none"> • Engine speed signal • Engine coolant temperature signal • Engine oil pressure warning signal • Fuel consumption monitor signal 	B C
ABS actuator and electric unit (control unit)	Transmits the vehicle speed signal to the combination meter via CAN communication.	D
Power steering control module	Transmits the EPS signal to the combination meter via CAN communication.	D
BCM	Transmits the following signals to the combination meter via CAN communication: <ul style="list-style-type: none"> • Position light request signal • Low tire pressure warning lamp signal • Door switch signal • Trunk lamp switch signal 	E
TCM	Receives the O/D OFF switch signal from the combination meter via CAN communication. Transmits the following signals to the combination meter via CAN communication: <ul style="list-style-type: none"> • O/D OFF indicator request signal • CVT shift selector position signal 	F
CVT shift selector switch (O/D OFF switch)	Transmits the O/D OFF switch signal to the combination meter	G
Fuel level sensor unit	Transmits the fuel level sensor signal to the combination meter.	H
Seat belt buckle switch LH (RH similar)	Transmits the seat belt buckle switch LH signal to the combination meter.	H
Air bag diagnosis sensor unit	Transmits the following signals to the combination meter: <ul style="list-style-type: none"> • Seat belt buckle switch RH signal • Air bag warning indicator 	I
Engine oil pressure sensor	Transmits the engine oil pressure sensor signal to the ECM.	J
Ambient sensor	Transmits the ambient sensor signal to the combination meter (without auto a/c). Transmits the ambient sensor signal to the A/C auto amp. (with auto a/c).	J
A/C auto amp.	<ul style="list-style-type: none"> • Receives the ambient sensor signal from the ambient sensor (with auto a/c). • Transmits the ambient sensor signal to the combination meter via CAN communication. 	K
Parking brake switch	Transmits the parking brake switch signal to the combination meter.	L
Washer fluid level switch	Transmits the washer fluid level switch signal to the combination meter.	L
Brake fluid level switch	Transmits the brake fluid level switch signal to the combination meter.	L

M

MWI

O

P

SYSTEM

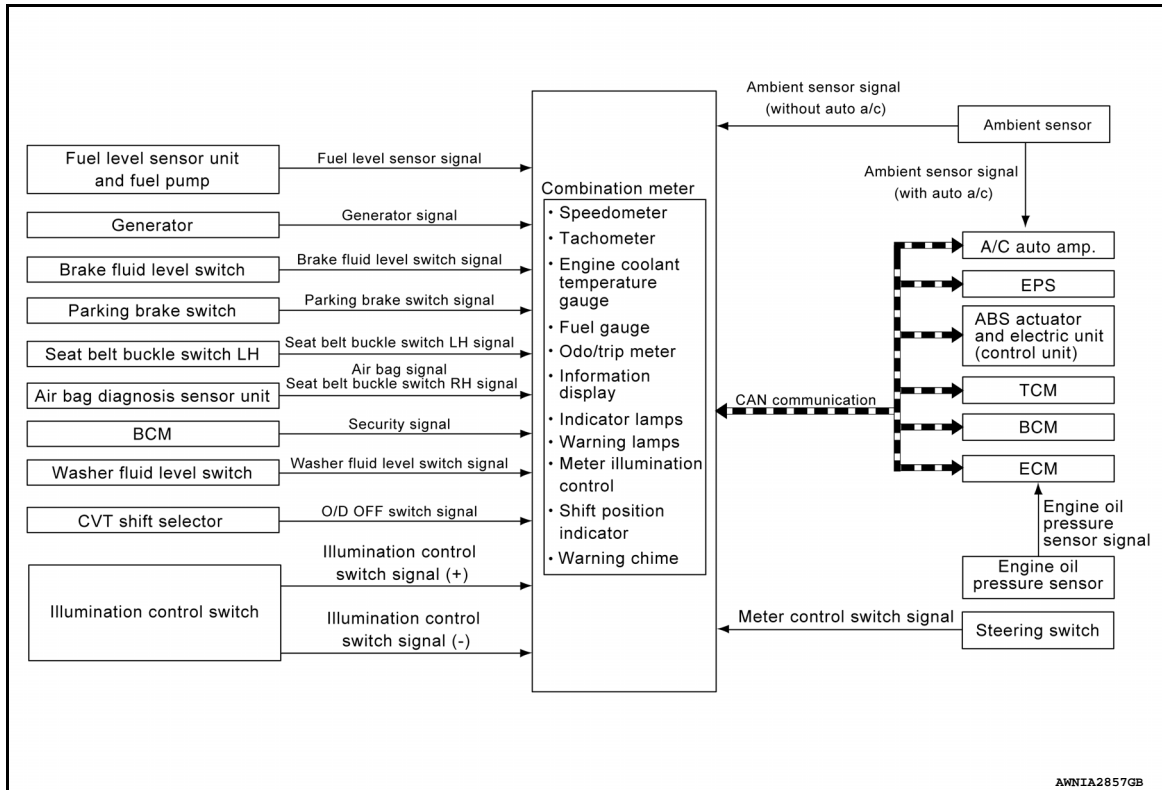
< SYSTEM DESCRIPTION >

SYSTEM

METER SYSTEM

METER SYSTEM : System Diagram

INFOID:000000008813839



METER SYSTEM : System Description

INFOID:000000008813840

COMBINATION METER

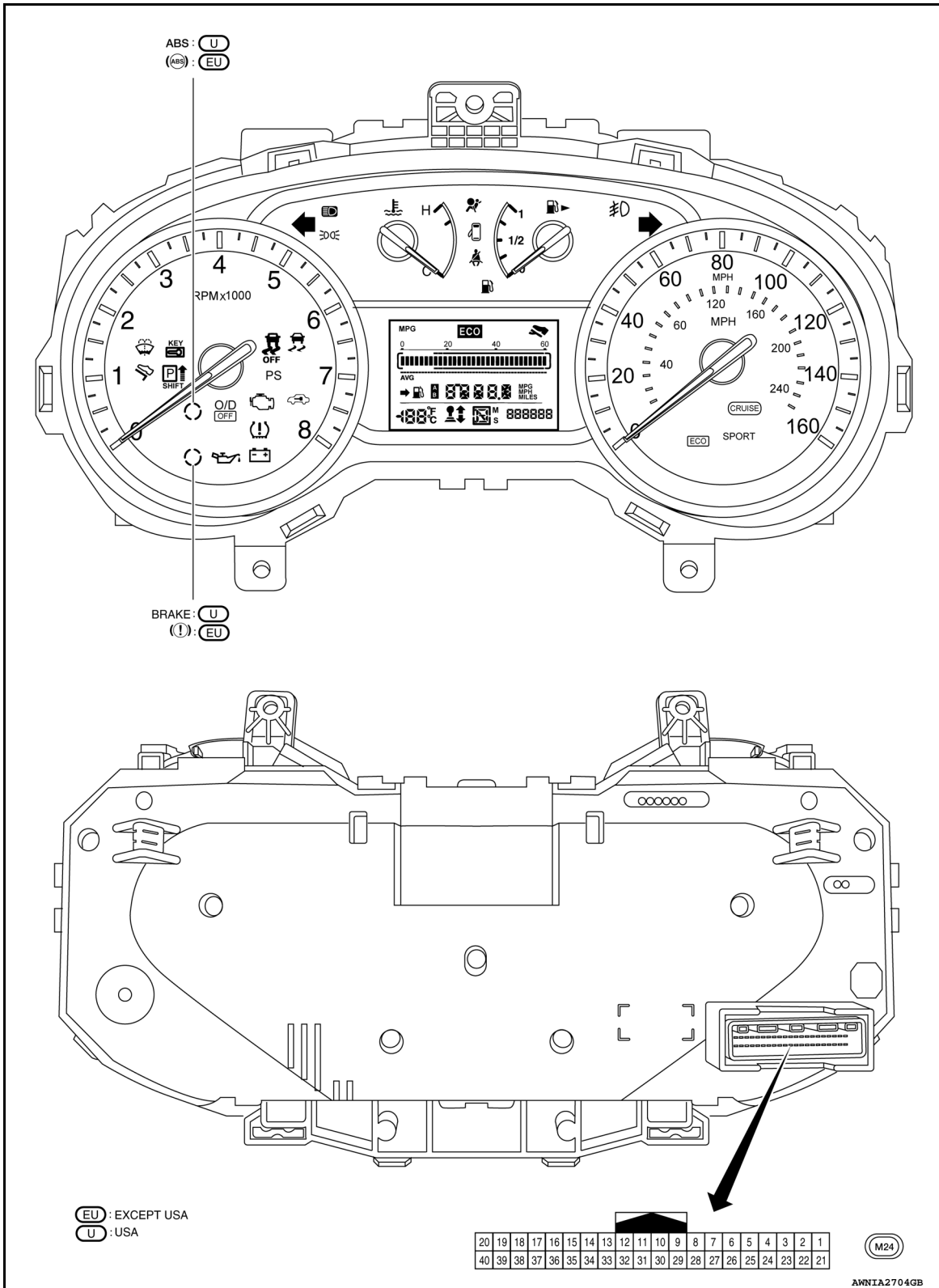
- The combination meter receives signals from switches, sensors and modules to control the following functions:
 - Speedometer/tachometer
 - Warning lamps
 - Indicator lamps
 - Meter illumination control
 - Information display
- The combination meter has an integrated buzzer that is activated when it receives a signal from the BCM via CAN communication. Refer to [WCS-6. "WARNING CHIME SYSTEM : System Description"](#) for further details.
- The combination meter includes an on-board diagnosis function.
- The combination meter can be diagnosed with CONSULT.

SYSTEM

< SYSTEM DESCRIPTION >

METER SYSTEM : Arrangement of Combination Meter

INFOID:000000008813841



A
B
C
D
E
F
G
H
I
J
K
L
M
N
O
P

MWI

METER SYSTEM : Fail-Safe

INFOID:000000009018322

The combination meter activates the fail-safe control if CAN communication with each unit is malfunctioning.

SYSTEM

< SYSTEM DESCRIPTION >

Function		Specifications	
Speedometer		Reset to zero by suspending communication.	
Tachometer			
Engine coolant temperature gauge		<ul style="list-style-type: none"> When reception time of an abnormal signal is 60 seconds or less, the last value received. When reception time of an abnormal signal is more than 60 seconds, reset to zero. 	
Illumination control		When suspending communication, changes to nighttime mode.	
Information display	Trip computer	Current fuel consumption	The last result calculated during normal condition is indicated.
		Average fuel consumption	
		Average vehicle speed	
		Distance to empty	
	Warning/Indicator	ECO pedal guide	The guide turns OFF by suspending communication.
		ECO mode indicator	The lamp turns OFF by suspending communication.
		Gear shift indicator	
	ECO pedal guide indicator		
	Shift position indicator	When suspending communication, not indicate.	
	Odo/trip meter	An indicated value is maintained at communications blackout.	
Buzzer		The buzzer turns OFF by suspending communication.	
Warning lamp/indicator lamp	ABS warning lamp	The lamp turns ON by suspending communication.	
	EPS warning lamp		
	Malfunction indicator lamp (MIL)		
	Brake warning lamp		
	High beam indicator lamp	The lamp turns OFF by suspending communication.	
	Turn signal indicator lamp		
	Door warning lamp		
	Position lamp indicator lamp		
	Engine start operation indicator lamp		
	Shift P warning lamp		
	Front fog lamp indicator lamp		
	Rear fog lamp indicator lamp		
	Engine Oil pressure warning lamp		
	KEY warning lamp		
	CRUISE indicator lamp		
SPORT indicator lamp			

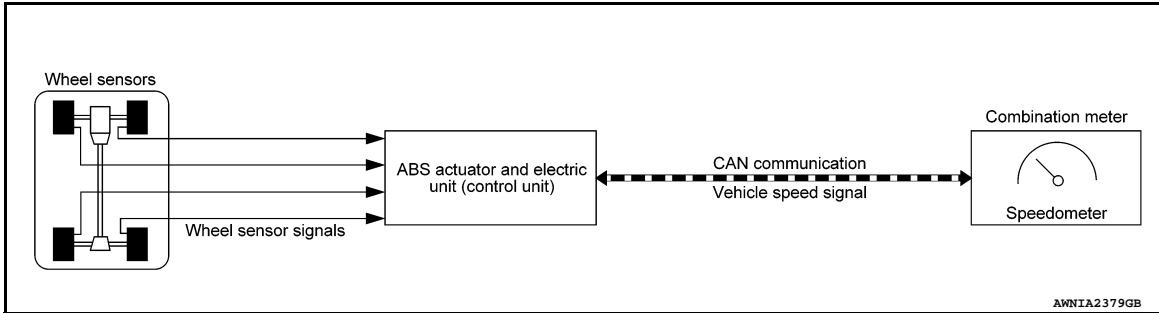
SPEEDOMETER

SYSTEM

< SYSTEM DESCRIPTION >

SPEEDOMETER : System Diagram

INFOID:000000009018318



SPEEDOMETER : System Description

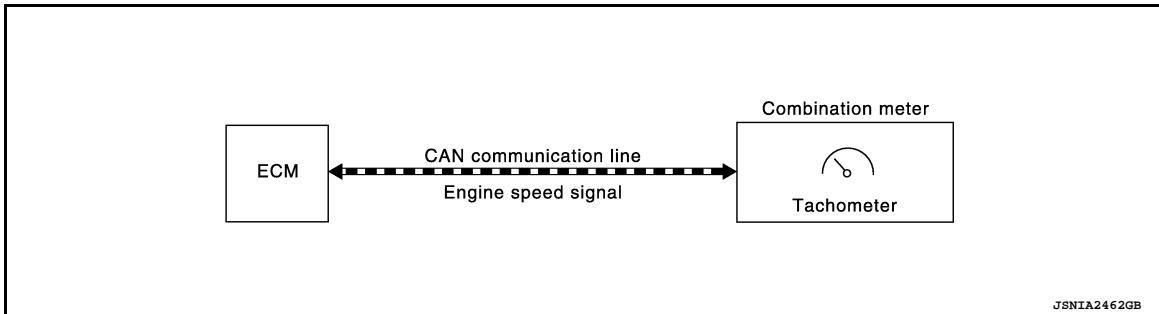
INFOID:000000009018319

The ABS actuator and electric unit (control unit) receives each wheel speed sensor signal and provides a vehicle speed signal to the combination meter via CAN communication.

TACHOMETER

TACHOMETER : System Diagram

INFOID:000000009018317



TACHOMETER : System Description

INFOID:000000008766246

DESCRIPTION

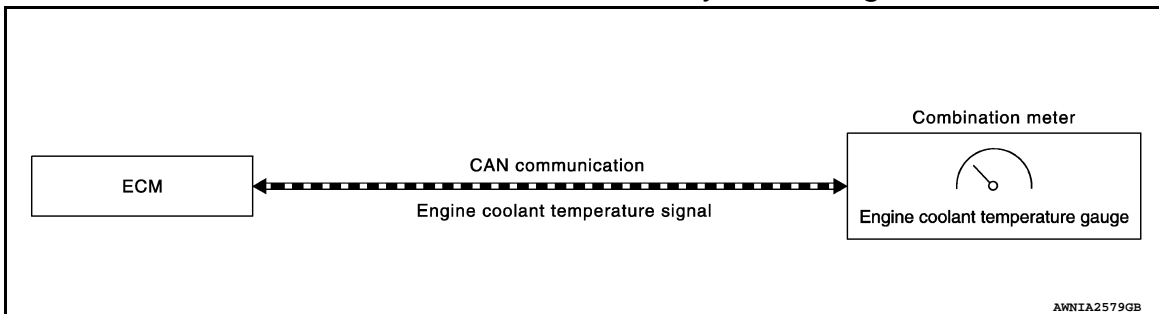
The crank position sensor sends a crankshaft position signal to the ECM. The ECM provides an engine speed signal to the combination meter via CAN communication lines.

The tachometer indicates engine speed in revolutions per minute (rpm).

ENGINE COOLANT TEMPERATURE GAUGE

ENGINE COOLANT TEMPERATURE GAUGE : System Diagram

INFOID:000000009018323



ENGINE COOLANT TEMPERATURE GAUGE : System Description

INFOID:000000009018324

The engine coolant temperature sensor sends an engine coolant temperature signal to the ECM. The ECM provides an engine coolant temperature signal to the combination meter via CAN communication lines.

The engine coolant temperature gauge indicates the engine coolant temperature.

FUEL GAUGE

A
B
C
D
E
F
G
H
I
J
K
L
M
O
P

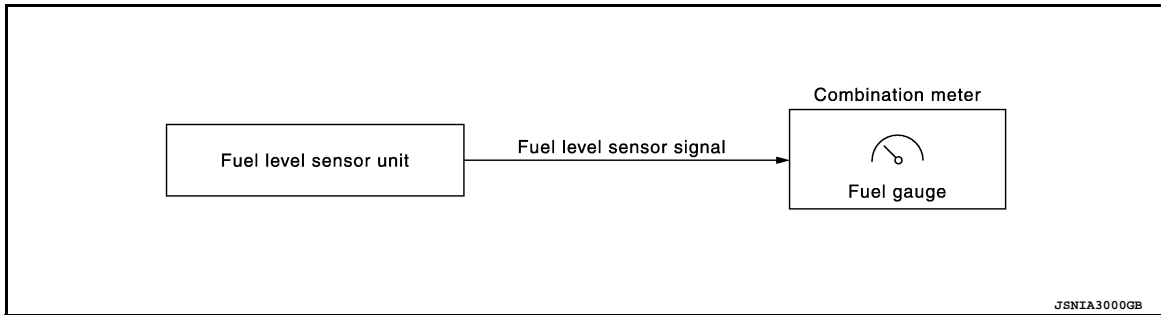
MWI

SYSTEM

< SYSTEM DESCRIPTION >

FUEL GAUGE : System Diagram

INFOID:000000009018325



FUEL GAUGE : System Description

INFOID:0000000090766248

DESCRIPTION

Control Outline

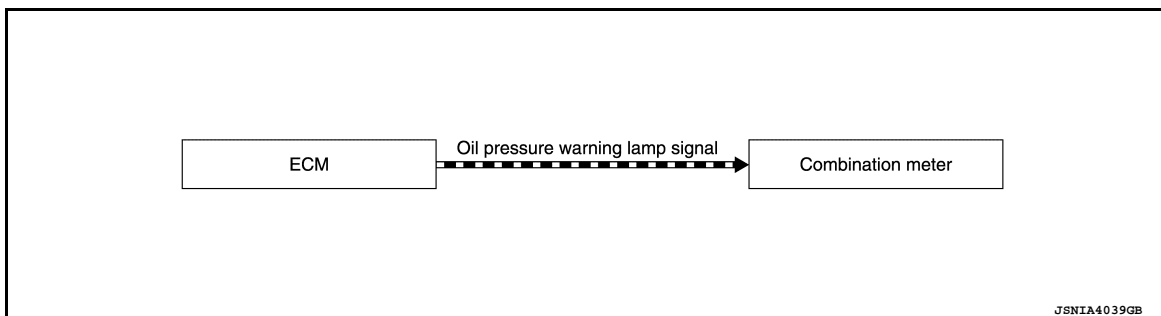
The combination meter reads the fuel level sensor signal from the fuel level sensor unit and indicates the fuel level to the fuel gauge.

OIL PRESSURE WARNING LAMP

OIL PRESSURE WARNING LAMP : System Diagram

INFOID:000000009022368

SYSTEM DIAGRAM



OIL PRESSURE WARNING LAMP : System Description

INFOID:000000009022369

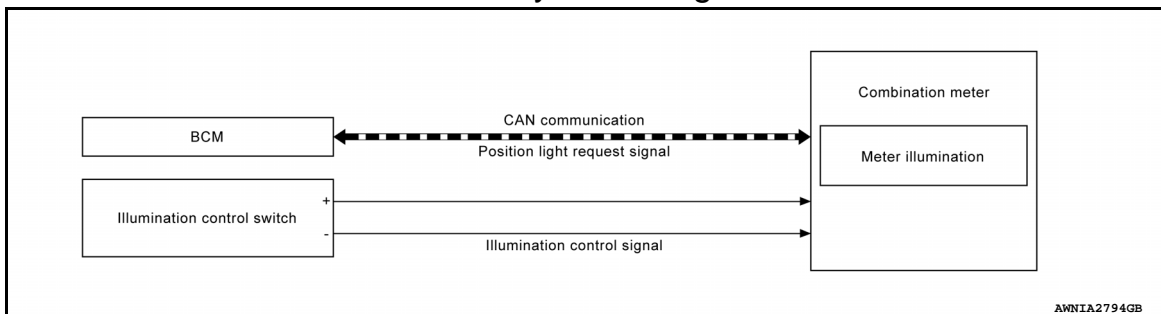
DESCRIPTION

The combination meter turns the oil pressure warning lamp ON when receiving a signal from the ECM via CAN communication.

METER ILLUMINATION CONTROL

METER ILLUMINATION CONTROL : System Diagram

INFOID:000000009018326



METER ILLUMINATION CONTROL : System Description

INFOID:0000000090766281

METER ILLUMINATION CONTROL

SYSTEM

< SYSTEM DESCRIPTION >

Meter illumination control adjusts the brightness of the combination meter illumination using the illumination control switch.

METER ILLUMINATION CONTROL FUNCTION

The operation of the illumination control switch changes brightness of the meter illumination.

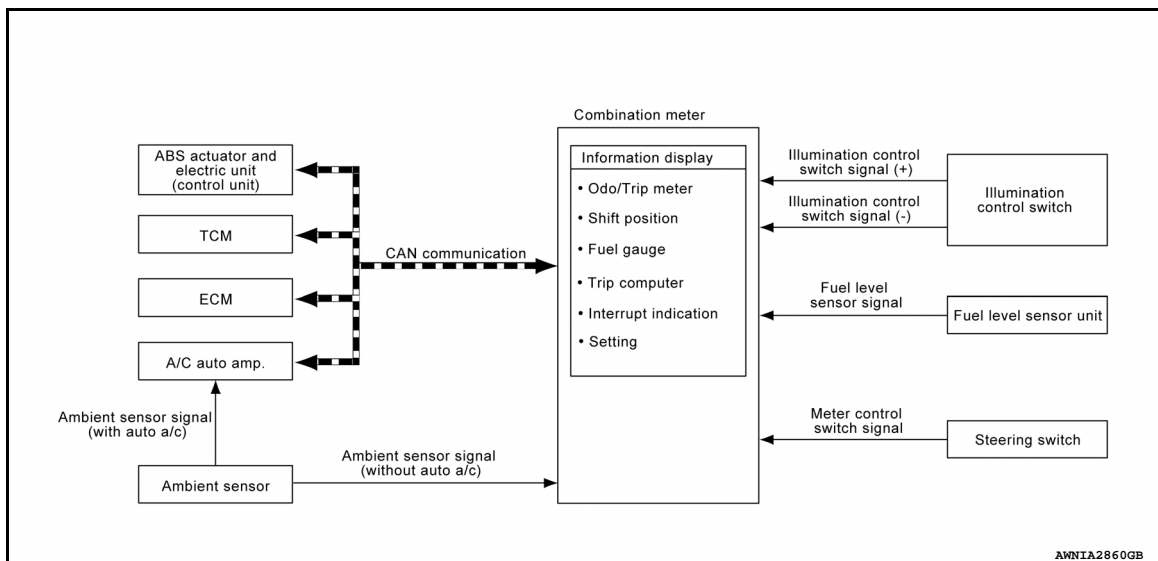
Meter illumination	The number of adjustable steps
Daytime	11 steps
Nighttime	11 steps

INFORMATION DISPLAY

INFORMATION DISPLAY : System Diagram

INFOID:000000009018331

SYSTEM DIAGRAM



INFORMATION DISPLAY : System Description

INFOID:000000008766283

DESCRIPTION

- The combination meter receives signals necessary for controlling the operation of the information display from each unit, sensor and switch.
- The combination meter incorporates a trip computer that displays the warning/information according to the information received from each unit, sensor and switch.
- The combination meter shows the following functions on the information display.
 - Odo/trip meter
 - Shift position indicator
 - Outside air temperature
 - Trip computer
 - ECO Pedal Guide
 - Warning/Indication messages (check tire pressure and loose fuel cap).

ODO/TRIP METER

The combination meter calculates mileage, based on the following signals and displays the mileage on the information display.

SHIFT POSITION INDICATOR

Displays the position of the shift selector based on signals received from TCM via CAN communication.

OUTSIDE AIR TEMPERATURE INDICATION

Displays the ambient temperature based on signals received from:

- The A/C auto amp. via CAN communication (with auto A/C).
- The ambient sensor (without auto A/C).

A
B
C
D
E
F
G
H
I
J
K
L
M
N
O
P

MWI

SYSTEM

< SYSTEM DESCRIPTION >

LOOSE FUEL CAP

The LOOSE FUEL CAP message will display in the information display when the fuel-filler cap is not tightened correctly. The message will turn off as soon as the ECM detects the fuel-filler cap is properly tightened. The ECM provides a loose fuel cap signal to the combination meter via CAN communication.

LOW TIRE PRESSURE WARNING

This warning appears when the BCM detects low inflation pressure or a system malfunction. The BCM sends a signal to the combination meter via CAN communication to illuminate the low tire pressure warning lamp. In addition, a warning message will be displayed in the vehicle information display.

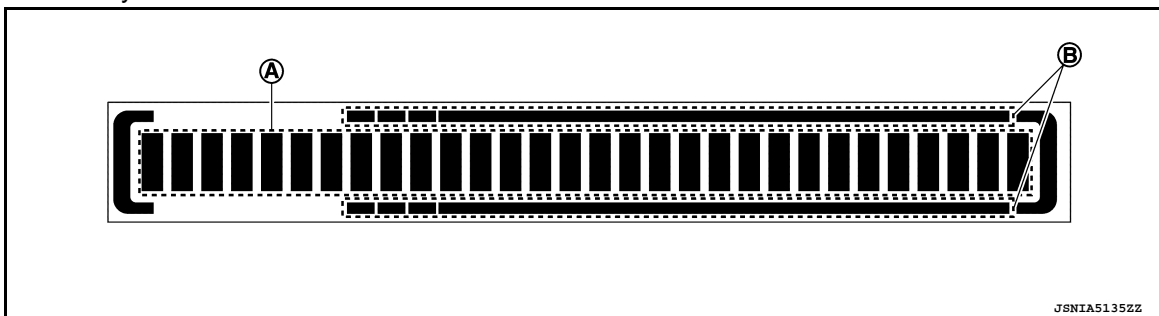
TRIP COMPUTER

ECO Pedal Guide

The ECO pedal guide displays accelerator pedal angle (A) and the guideline of ECO driving (B) according to information received from the ECM via CAN communication.

When the Eco pedal guide bar is in the green range, it indicates that the vehicle is driven within range of economy drive.

If the Eco pedal guide bar is out of green range, it indicates that the accelerator pedal is depressed over the range of economy drive.



COMPASS

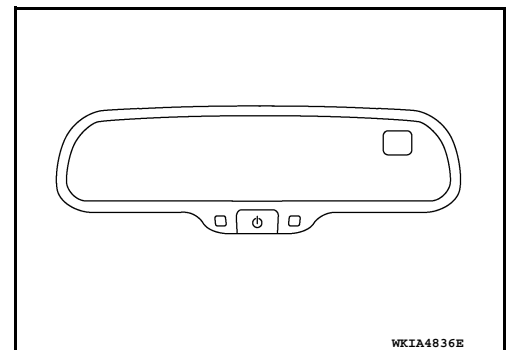
COMPASS : System Description

INFOID:000000009020436

DESCRIPTION

With the ignition switch in the ON position, and the mode switch ON, the compass display will indicate the direction the vehicle is heading. Vehicle direction is displayed as follows:

- N: north
- E: east
- S: south
- W: west



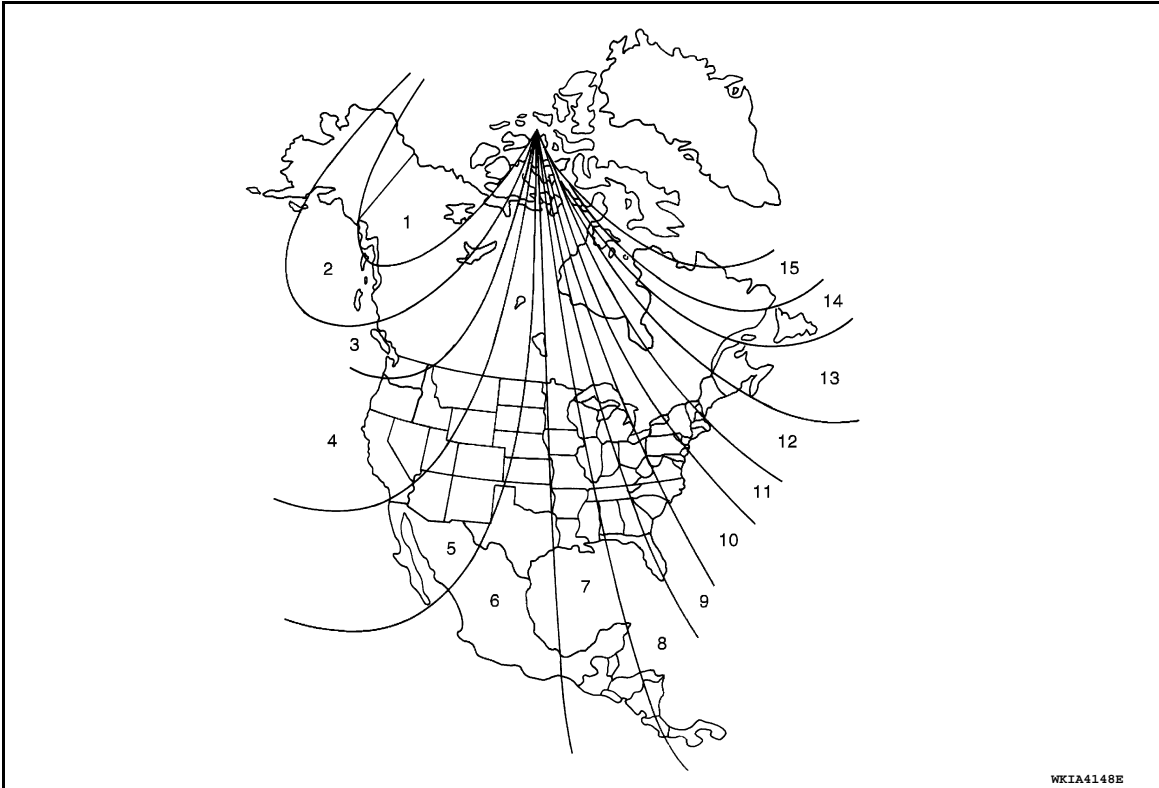
ZONE VARIATION SETTING PROCEDURE

The difference between magnetic north and geographical north can sometimes be great enough to cause false compass readings. This difference is known as variance. In order for the compass to operate properly (accurately) in a particular zone, the zone variation must be calibrated using the following procedure.

SYSTEM

< SYSTEM DESCRIPTION >

Zone Variation Chart



1. Determine your location on the zone map.
2. Turn the ignition switch to the ON position.
3. Press and hold the mode switch until the current zone number appears in the display.
4. Press the mode switch repeatedly until the desired zone number appears in the display.

Once the desired zone number is displayed, stop pressing the mode switch and the display will show a compass direction after a few seconds.

NOTE:

Use zone number 5 for Hawaii.

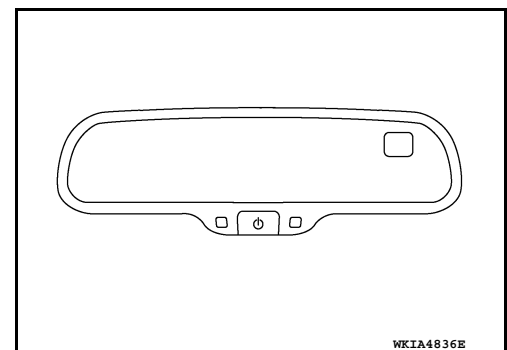
CALIBRATION PROCEDURE

The compass display is equipped with an automatic correction function. If the compass display reads "C" or the direction is not shown correctly, perform the correction procedure below.

1. Press and hold the mode switch until the display reads "C".
2. Drive the vehicle slowly in a circle, in an open, safe place. The initial calibration is completed in about 3 turns.

NOTE:

In places where the terrestrial magnetism is extremely disturbed, the initial correction may start automatically.



A
B
C
D
E
F
G
H
I
J
K
L
M
N
O
P

MWI

DIAGNOSIS SYSTEM (COMBINATION METER)

< SYSTEM DESCRIPTION >

DIAGNOSIS SYSTEM (COMBINATION METER)

Description

INFOID:000000008766285

COMBINATION METER SELF-DIAGNOSIS MODE

The information display, speedometer and tachometer can be checked in self-diagnosis mode.

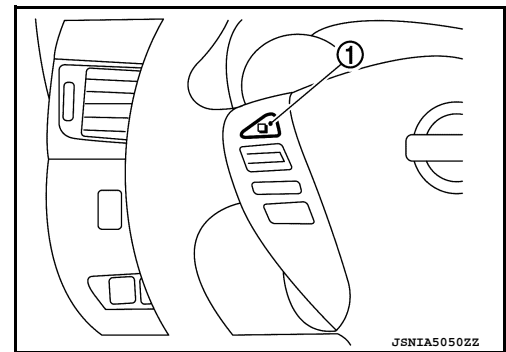
STARTING COMBINATION METER SELF-DIAGNOSIS MODE

NOTE:

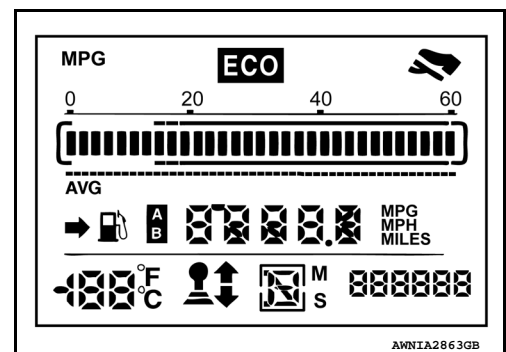
- Check combination meter power supply and ground circuits if self-diagnosis mode does not start. Refer to [MWI-53, "COMBINATION METER : Diagnosis Procedure"](#). Replace combination meter if power supply and ground circuits are found to be normal and self-diagnosis mode does not start. Refer to [MWI-77, "Removal and Installation"](#).
- Combination meter self-diagnosis mode will function with the ignition switch in ON. Combination meter self-diagnosis mode will exit upon turning the ignition switch to OFF.

How to Initiate Self-Diagnosis Mode

1. Turn ignition switch OFF.
2. While pressing the steering switch ①, turn ignition switch ON.
3. If the diagnosis function is activated with "trip A" displayed, the mileage on "trip A" is reset to "0000.0". (The same way for "trip B".)



4. Make sure that the trip meter displays "0000.0".
5. Press the steering switch ① at least 3 times. (Within 7 seconds after the ignition switch is turned ON.)
6. The combination meter is turned to self-diagnosis mode.
 - Speedometer, tachometer, engine coolant temperature gauge, fuel gauge, and return to zero, simultaneously.
 - All segments of the information display are displayed.



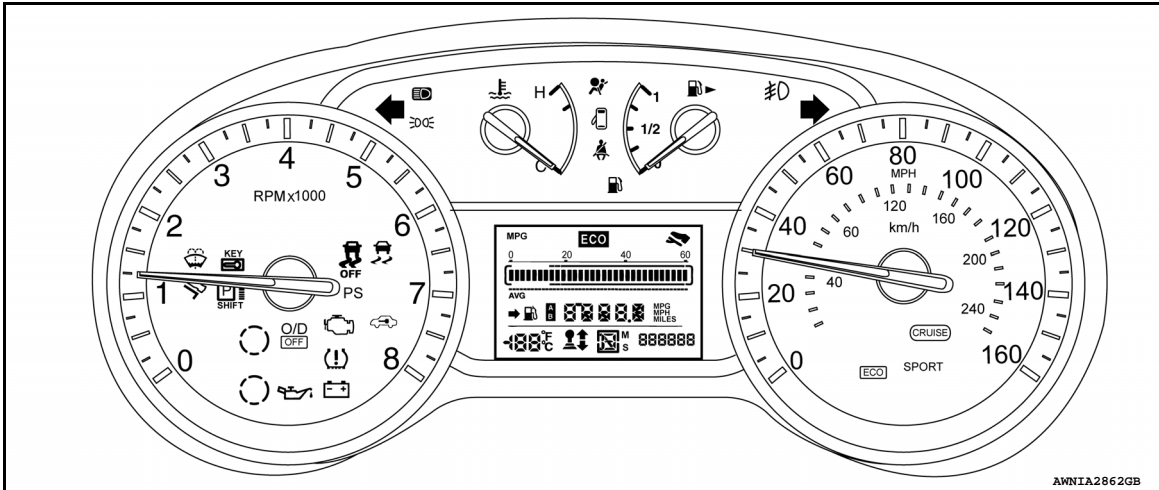
NOTE:

- Check the following items when the self-diagnosis mode of the combination meter does not start. Replace combination meter if the following items are normal.
 - Combination meter power supply and ground circuit.
 - Steering switch signal circuit and steering switch.
- If any of the dots are not displayed, replace combination meter.

DIAGNOSIS SYSTEM (COMBINATION METER)

< SYSTEM DESCRIPTION >

7. Each meter activates by pressing the steering switch ①.



NOTE:

- If any of the meters or gauges is not activated, replace combination meter.
- The figure is reference.

CONSULT Function (METER/M&A)

INFOID:0000000008766286

APPLICATION ITEMS

CONSULT can perform the following diagnosis modes via CAN communication and the combination meter.

System	Diagnosis mode	Description
METER/M&A	Self Diagnostic Result	The combination meter checks the conditions and displays memorized errors.
	Data Monitor	Displays the combination meter input/output data in real time.
	Warning History	Lighting history of the warning lamp and indicator lamp can be checked.

SELF DIAG RESULT

Refer to [MWI-26. "DTC Index"](#).

DATA MONITOR

Display Item List

X: Applicable

Display item [Unit]	MAIN SIGNALS	Description
SPEED METER [km/h] or [mph]	X	Displays the value of vehicle speed signal.
SPEED OUTPUT [km/h] or [mph]	X	Displays the value of vehicle speed signal, which is transmitted to each unit with CAN communication.
ODO OUTPUT [km/h or mph]		Displays odometer signal value transmitted to other units via CAN communication.
TACHO METER [rpm]	X	Displays the value of engine speed signal, which is input from ECM.
FUEL METER [L]	X	Displays the fuel level.
W TEMP METER [°C] or [°F]	X	Displays the value of engine coolant temperature signal, which is input from ECM.
ABS W/L [ON/OFF]		Displays [ON/OFF] condition of ABS warning indicator
SLIP IND [ON/OFF]		Displays [ON/OFF] condition of SLIP indicator lamp.
VDC/TCS IND [ON/OFF]		Displays [ON/OFF] condition of VDC OFF indicator lamp.

DIAGNOSIS SYSTEM (COMBINATION METER)

< SYSTEM DESCRIPTION >

Display item [Unit]	MAIN SIGNALS	Description
BRAKE W/L [ON/OFF]		Displays [ON/OFF] condition of brake warning indicator.
DOOR W/L [ON/OFF]		Displays [ON/OFF] condition of door warning indicator.
HI-BEAM IND [ON/OFF]		Displays [ON/OFF] condition of high beam indicator.
TURN IND [ON/OFF]		Displays [ON/OFF] condition of turn indicator.
FR FOG IND [On/Off]		Displays [ON/OFF] condition of front fog lamp indicator.
LIGHT IND [ON/OFF]		Displays [ON/OFF] condition of light indicator.
OIL W/L [ON/OFF]		Displays [ON/OFF] condition of oil pressure warning indicator.
MIL [ON/OFF]		Displays [ON/OFF] condition of malfunction indicator.
CRUISE IND [Off]		Displays [ON/OFF] condition of CRUISE indicator.
O/D OFF IND [ON/OFF]		Displays [ON/OFF] condition of O/D OFF indicator.
FUEL W/L [ON/OFF]		Displays [ON/OFF] condition of low-fuel warning indicator.
KEY G/Y W/L [On/Off]		Displays [ON/OFF] condition of KEY warning lamp (G/Y).
KEY KNOB W/L [On/Off]		Displays [ON/OFF] condition of shift P warning lamp.
O/D OFF SW [ON/OFF]		Displays [ON/OFF] condition of O/D OFF switch.
COMP F/B SIG [On/Off]		A/C compressor activation condition that ECM judges according to the engine coolant temperature and the acceleration degree.
BRAKE SW [ON/OFF]		Displays [ON/OFF] condition of brake switch.
EPS W/L [ON/OFF]		Displays [ON/OFF] condition of EPS indicator lamp.
ECO MODE IND [On/Off]		Displays [ON/OFF] condition of ECO mode indicator lamp.
LCD		Displays status of Intelligent Key system warning judged from meter display signal received from BCM with CAN communication line.
SHIFT IND [P, R, N, D, L]		Displays shift selector position.
FUEL CAP W/L [Off]		Displays [ON/OFF] condition of loose fuel cap warning message.
AIR PRES W/L [ON/OFF]		Displays [ON/OFF] condition of tire pressure warning lamp.
PKB SW [ON/OFF]		Status of parking brake switch.
BUCKLE SW [ON/OFF]		Status of seat belt buckle switch (LH).
PASS BUCKLE SW [ON/OFF]		Status of passenger seat belt buckle switch (RH).
BRAKE OIL SW [ON/OFF]		Status of brake fluid level switch.

DIAGNOSIS SYSTEM (COMBINATION METER)

< SYSTEM DESCRIPTION >

Display item [Unit]	MAIN SIGNALS	Description
A/C AMP CONN [On/Off]		Status of A/C auto amp. connection recognition signal.
DISTANCE [km] or [Mi]		Displays distance to empty.
OUTSIDE TEMP [°C or °F]		Displays the ambient air temperature, which is input from ambient sensor.
BUZZER [ON/OFF]	X	Displays [ON/OFF] condition of buzzer.
SPORT MODE IND [On/Off]		Status of DS mode indicator detected from SPORT indicator signal is received from TCM via CAN communication.
ECO DRIVE NAVI [LEVEL 0 - 30]		Status of ECO pedal guide detected from ECO pedal guide signal received from ECM via CAN communication.

NOTE:

Some items are not available according to vehicle specification.

WARNING HISTORY

- Stores histories when warning/indicator lamp is turned on.
- “WARNING HISTORY” indicates the “TIME” when the warning/ indicator lamp is turned on.
- The “TIME” above is:
 - 0: The condition that the warning/indicator lamp has been turned on 1 or more times after starting the engine and waiting for 30 seconds.
 - 1 - 39: The number of times the engine was restarted after the 0 condition.
 - NO WARNING HISTORY: Stores NO (0) turning on history of warning/indicator lamp.

NOTE:

- WARNING HISTORY is not stored for approximately 30 seconds after the engine starts.
- Brake warning lamp does not store any history when the parking brake is applied or the brake fluid level gets low.

A
B
C
D
E
F
G
H
I
J
K
L
M
O
P

MWI

COMBINATION METER

< ECU DIAGNOSIS INFORMATION >

ECU DIAGNOSIS INFORMATION

COMBINATION METER

Reference Value

INFOID:000000008766287

VALUES ON THE DIAGNOSIS TOOL

NOTE:

The following table includes information (items) inapplicable to this vehicle. For information (items) applicable to this vehicle, refer to CONSULT display items.

Monitor Item	Condition		Value/Status
SPEED METER [mph or km/h]	Ignition switch ON	While driving	Input value of vehicle speed signal (CAN communication signal)
SPEED OUTPUT [mph or km/h]	Ignition switch ON	While driving	Output value of vehicle speed signal (CAN communication signal)
ODO OUTPUT [mph or km/h]	Ignition switch ON	—	Output value of odometer signal (CAN communication signal)
TACHO METER [rpm]	Ignition switch ON	Engine running	Input value of engine speed signal (CAN communication signal)
FUEL METER [L]	Ignition switch ON	—	Input value of fuel level sensor signal
W TEMP METER [°C or °F]	Ignition switch ON	—	Input value of engine coolant temperature signal (CAN communication signal)
ABS W/L	Ignition switch ON	ABS warning lamp ON	On
		ABS warning lamp OFF	Off
BRAKE W/L	Ignition switch ON	Brake warning lamp ON	On
		Brake warning lamp OFF	Off
DOOR W/L	Ignition switch ON	Door warning lamp ON	On
		Door warning lamp OFF	Off
HI-BEAM IND	Ignition switch ON	High beam indicator lamp ON	On
		High beam indicator lamp OFF	Off
TURN IND	Ignition switch ON	Turn signal indicator lamp ON	On
		Turn signal indicator lamp OFF	Off
FR FOG IND	Ignition switch ON	Front fog lamp indicator lamp ON	On
		Front fog lamp indicator lamp OFF	Off
LIGHT IND	Ignition switch ON	Position lamp indicator lamp ON	On
		Position lamp indicator lamp OFF	Off
OIL W/L	Ignition switch ON	Engine oil pressure warning lamp ON	On
		Engine oil pressure warning lamp OFF	Off
MIL	Ignition switch ON	Malfunction indicator lamp ON	On
		Malfunction indicator lamp OFF	Off
CRUISE IND	Ignition switch ON	CRUISE indicator lamp ON	On
		CRUISE indicator lamp OFF	Off
SPORT IND	Ignition switch ON	SPORT indicator lamp ON	On
		SPORT indicator lamp OFF	Off
FUEL W/L	Ignition switch ON	Low fuel warning lamp ON	On
		Low fuel warning lamp ON	Off

COMBINATION METER

< ECU DIAGNOSIS INFORMATION >

Monitor Item	Condition		Value/Status	
KEY G/Y W/L	Ignition switch ON	During Intelligent Key system malfunction indication	On	A
		Other than the above	Off	
KEY KNOB W/L	Ignition switch ON	Shift P warning lamp ON	On	B
		Shift P warning lamp OFF	Off	
EPS W/L	Ignition switch ON	EPS warning lamp ON	On	C
		EPS warning lamp OFF	Off	
ECO MODE IND	Ignition switch ON	ECO mode indicator ON	On	D
		ECO mode indicator OFF	Off	
LCD	Ignition switch LOCK or ACC	Engine start operation indicator lamp ON (CVT models)	B&P N	E
	Ignition switch ON	Engine start operation indicator lamp ON (CVT models)	B&P I	
	Ignition switch LOCK or ACC	Engine start operation indicator lamp ON (M/T models)	C&P N	F
	Ignition switch ON	Engine start operation indicator lamp ON (M/T models)	C&P I	
	Ignition switch LOCK	During shift P warning lamp indication	SFT P	G
	Ignition switch LOCK	During Intelligent Key low battery warning indication	BATT	H
	Ignition switch ON	During take away warning indication	NO KY	
	Ignition switch ON	During ACC warning indication	LK WN	I
SHIFT IND	Ignition switch ON	Shift position indicator P display	P	J
		Shift position indicator R display	R	
		Shift position indicator N display	N	
		Shift position indicator D display	D	K
		Shift position indicator L display	L	
O/D OFF SW	Ignition switch ON	O/D OFF switch ON	On	L
		O/D OFF switch OFF	Off	
COMP F/B SIG	Ignition switch ON	A/C compressor activation condition	On	
		Other than the above	Off	M
PKB SW	Ignition switch ON	Parking brake switch ON	On	
		Parking brake switch OFF	Off	
BUCKLE SW	Ignition switch ON	Driver seat belt not fastened	On	MWI
		Driver seat belt fastened	Off	
BRAKE OIL SW	Ignition switch ON	Brake fluid level switch ON	On	O
		Brake fluid level switch OFF	Off	
A/C AMP CONN	Ignition switch ON	Receives A/C auto amp. connection recognition signal	On	P
		Other than the following	Off	
PASS BUCKLE SW	Ignition switch ON	Passenger seat belt not fastened	On	
		Passenger seat belt fastened	Off	
DISTANCE [mi or km]	Ignition switch ON	—	Distance to empty calculated by combination meter	

COMBINATION METER

< ECU DIAGNOSIS INFORMATION >

Monitor Item	Condition		Value/Status
OUTSIDE TEMP [°C or °F]	Ignition switch ON	—	Displays the ambient air temperature which is input from the ambient sensor
FUEL LOW SIG	Ignition switch ON	During low fuel warning indication	On
		Other than the above	Off
BUZZER	Ignition switch ON	Buzzer ON	On
		Buzzer OFF	Off
SPORT MODE IND	Ignition switch ON	DS mode indicator ON	On
		DS mode indicator OFF	Off
ECO DRIVE NAVI	Ignition switch ON	ECO pedal guide segment illuminate: 1/30	LEVEL0
		ECO pedal guide segment illuminate: 30/30	LEVEL1
		ECO pedal guide segment illuminate: 0/30	LEVEL2
		ECO pedal guide segment illuminate: 2/30	LEVEL3
		ECO pedal guide segment illuminate: 3/30	LEVEL4
		ECO pedal guide segment illuminate: 4/30	LEVEL5
		ECO pedal guide segment illuminate: 5/30	LEVEL6
		ECO pedal guide segment illuminate: 6/30	LEVEL7
		ECO pedal guide segment illuminate: 7/30	LEVEL8
		ECO pedal guide segment illuminate: 8/30	LEVEL9
		ECO pedal guide segment illuminate: 9/30	LEVEL10
		ECO pedal guide segment illuminate: 10/30	LEVEL11
		ECO pedal guide segment illuminate: 11/30	LEVEL12
		ECO pedal guide segment illuminate: 12/30	LEVEL13
		ECO pedal guide segment illuminate: 13/30	LEVEL14
		ECO pedal guide segment illuminate: 14/30	LEVEL15
		ECO pedal guide segment illuminate: 15/30	LEVEL16
		ECO pedal guide segment illuminate: 16/30	LEVEL17
		ECO pedal guide segment illuminate: 17/30	LEVEL18
		ECO pedal guide segment illuminate: 18/30	LEVEL19
		ECO pedal guide segment illuminate: 19/30	LEVEL20
		ECO pedal guide segment illuminate: 20/30	LEVEL21
		ECO pedal guide segment illuminate: 21/30	LEVEL22
		ECO pedal guide segment illuminate: 22/30	LEVEL23
		ECO pedal guide segment illuminate: 23/30	LEVEL24
		ECO pedal guide segment illuminate: 24/30	LEVEL25
		ECO pedal guide segment illuminate: 25/30	LEVEL26
		ECO pedal guide segment illuminate: 26/30	LEVEL27
		ECO pedal guide segment illuminate: 27/30	LEVEL28
		ECO pedal guide segment illuminate: 28/30	LEVEL29
		ECO pedal guide segment illuminate: 29/30	LEVEL30

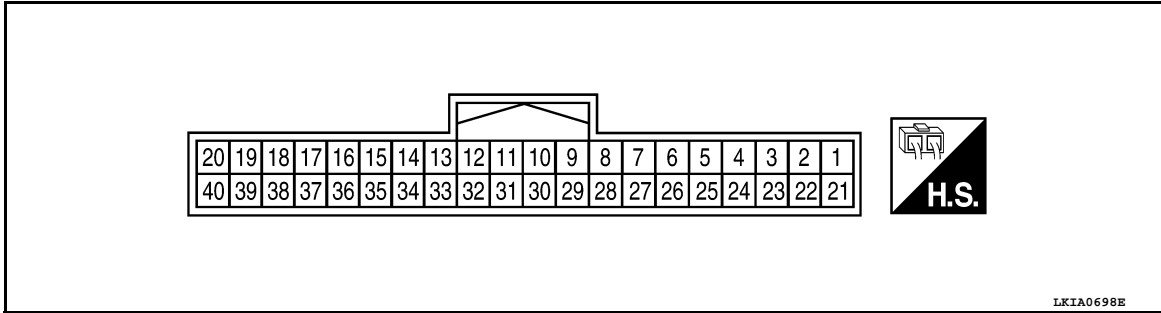
NOTE:

Some items are not available according to vehicle specification.

COMBINATION METER

< ECU DIAGNOSIS INFORMATION >

TERMINAL LAYOUT



PHYSICAL VALUES

Terminal No. (Wire color)		Description		Condition		Value (Approx.)
+	-	Signal name	Input/ Output			
1 (L)	—	CAN-H	—	—	—	—
2 (P)	—	CAN-L	—	—	—	—
4 (Y)	Ground	Vehicle speed signal (8-pulse)	Output	Ignition switch ON	Speedometer operated [When vehicle speed is approx. 40 km/h (25 MPH)]	<p>NOTE: The maximum voltage varies depending on the specification (destination unit).</p> <p style="text-align: right;"><small>JSN1A0012GB</small></p>
6 (G)	Ground	Fuel level sensor signal	Input	Ignition switch ON	—	—
7 (SB)		Air bag signal	Input	—	—	—
8 (W)	Ground	O/D OFF switch signal	Input	Ignition switch ON	While pressing the O/D OFF switch.	0 V
					Other than the above	5 V
9 (L)	Ground	Seat belt buckle switch signal LH (driver seat)	Input	Ignition switch ON	When driver seat belt is fastened.	5 V
					When driver seat belt is unfastened.	0 V
10 (SB)	Ground	Parking brake switch signal	Input	Ignition switch ON	Parking brake applied.	0 V
					Parking brake released.	5 V
11 (G)	Ground	Brake fluid level switch signal	Input	Ignition switch ON	Brake fluid level is normal	5 V
					Brake fluid level low	0 V
12 (LG)	Ground	Meter control switch signal	Input	Ignition switch ON	When switch is pressed	0 V
					Other than the above	5 V
13 (B)	Ground	Illumination control output signal	—	Ignition switch ON	—	—

COMBINATION METER

< ECU DIAGNOSIS INFORMATION >

Terminal No. (Wire color)		Description		Condition		Value (Approx.)
+	-	Signal name	Input/ Output			
15 (LG)	Ground	ACC power supply	Input	Ignition switch ACC	—	Battery voltage
17 (O)	Ground	Washer level switch signal	Input	Ignition switch OFF	Washer level switch ON	0 V
					Washer level switch OFF	12 V
18 (Y)	Ground	Security signal	Input	Ignition switch OFF	Security indicator lamp ON	0 V
					Security indicator lamp OFF	12 V
19 (V)	Ground	Ambient sensor signal (without auto A/C)	Input	Ignition switch ON	Changes depending to amb- ient temperature.	<p style="text-align: center;">JSN1A0014GB</p>
20 (R)	Ground	Ambient sensor ground (without auto A/C)	—	Ignition switch ON	—	0 V
21 (B)	Ground	Ground	—	Ignition switch ON	—	0 V
22 (B)	Ground		—	Ignition switch ON	—	0 V
23 (B)	Ground		—	Ignition switch ON	—	0 V
24 (O)	Ground	Fuel level sensor ground	—	Ignition switch ON	—	0 V
25 (GR)	Ground	ECO mode switch signal	Input	Ignition switch ON	ECO mode switch is pressed	0 V
					Other than the above	5 V
27 (LG)	Ground	Battery power supply	Input	Ignition switch OFF	—	Battery voltage
28 (GR)	Ground	Ignition signal	Input	Ignition switch ON	—	Battery voltage
29 (V)	Ground	Seat belt buckle switch RH	Input	Ignition switch ON	Unfastened	0 V
					Fastened	12 V
31 (GR)	Ground	Outside temperature sen- sor	Input	Ignition switch ON	—	5 V
32 (P)	Ground	AC PD cut	Input	Ignition switch ON	Signal ON	0 V
					Signal OFF	5 V
33 (R)	Ground	Illumination control switch signal (-)	Input	Ignition switch ON	Illumination control switch down is pressed	0 V
					Other than the above	5 V

COMBINATION METER

< ECU DIAGNOSIS INFORMATION >

Terminal No. (Wire color)		Description		Condition		Value (Approx.)
+	-	Signal name	Input/ Output			
34 (Y)	Ground	Illumination control switch signal (-)	Input	Ignition switch ON	Illumination control switch up is pressed	0 V
					Other than the above	5 V
38 (L)	Ground	Alternator signal	Input	Ignition switch ON	Charge warning lamp ON	1.8 V
					Charge warning lamp OFF	12 V
39 (W)	Ground	Sport mode switch signal	Input	Ignition switch ON	Press the sport mode switch	0 V
					Other than the above	5 V

Fail-Safe

INFOID:000000008766288

The combination meter activates the fail-safe control if CAN communication with each unit is malfunctioning.

Function		Specifications	
Speedometer		Reset to zero by suspending communication.	
Tachometer			
Engine coolant temperature gauge		<ul style="list-style-type: none"> When reception time of an abnormal signal is 60 seconds or less, the last value received. When reception time of an abnormal signal is more than 60 seconds, reset to zero. 	
Illumination control		When suspending communication, changes to nighttime mode.	
Information display	Trip com- puter	Current fuel consump- tion	The last result calculated during normal condition is indicated.
		Average fuel consump- tion	
		Average vehicle speed	
		Distance to empty	
	ECO pedal guide	The guide turns OFF by suspending communication.	
	Warning/ Indicator	ECO mode indicator	The lamp turns OFF by suspending communication.
		Gear shift indicator	
ECO pedal guide indica- tor			
Shift position indicator		When suspending communication, not indicate.	
Odo/trip meter		An indicated value is maintained at communications blackout.	
Buzzer		The buzzer turns OFF by suspending communication.	

COMBINATION METER

< ECU DIAGNOSIS INFORMATION >

	Function	Specifications
Warning lamp/indicator lamp	ABS warning lamp	The lamp turns ON by suspending communication.
	EPS warning lamp	
	Malfunction indicator lamp (MIL)	
	Brake warning lamp	
	High beam indicator lamp	The lamp turns OFF by suspending communication.
	Turn signal indicator lamp	
	Door warning lamp	
	Position lamp indicator lamp	
	Engine start operation indicator lamp	
	Shift P warning lamp	
	Front fog lamp indicator lamp	
	Rear fog lamp indicator lamp	
	Engine Oil pressure warning lamp	
	KEY warning lamp	
	CRUISE indicator lamp	
SPORT indicator lamp		

DTC Index

INFOID:000000008766289

Display contents of CONSULT	Diagnostic item is detected when...	Refer to
CAN COMM CIRCUIT [U1000]	When combination meter is not transmitting or receiving CAN communication signal for 2 seconds or more.	MWI-48. "Diagnosis Procedure"
CONTROL UNIT (CAN) [U1010]	When detecting error during the initial diagnosis of the CAN controller of combination meter.	MWI-49. "Diagnosis Procedure"
VEHICLE SPEED [B2205]	The abnormal vehicle speed signal is input from the ABS actuator and electric unit (control unit) for 2 seconds or more.	MWI-50. "Diagnosis Procedure"
ENGINE SPEED [B2267]	If ECM continuously transmits abnormal engine speed signals for 2 seconds or more.	MWI-51. "Diagnosis Procedure"
WATER TEMP [B2268]	If ECM continuously transmits abnormal engine coolant temperature signals for 60 seconds or more.	MWI-52. "Diagnosis Procedure"

BCM (BODY CONTROL MODULE)

< ECU DIAGNOSIS INFORMATION >

BCM (BODY CONTROL MODULE)

List of ECU Reference

INFOID:000000009018327

ECU	Reference
BCM (with Intelligent Key)	BCS-29, "Reference Value"
	BCS-47, "Fail-safe"
	BCS-49, "DTC Inspection Priority Chart"
	BCS-50, "DTC Index"
BCM (without Intelligent Key)	BCS-98, "Reference Value"
	BCS-109, "Fail-safe"
	BCS-109, "DTC Inspection Priority Chart"
	BCS-110, "DTC Index"

A
B
C
D
E
F
G
H
I
J
K
L
M
O
P

MWI

METER SYSTEM

< WIRING DIAGRAM >

WIRING DIAGRAM

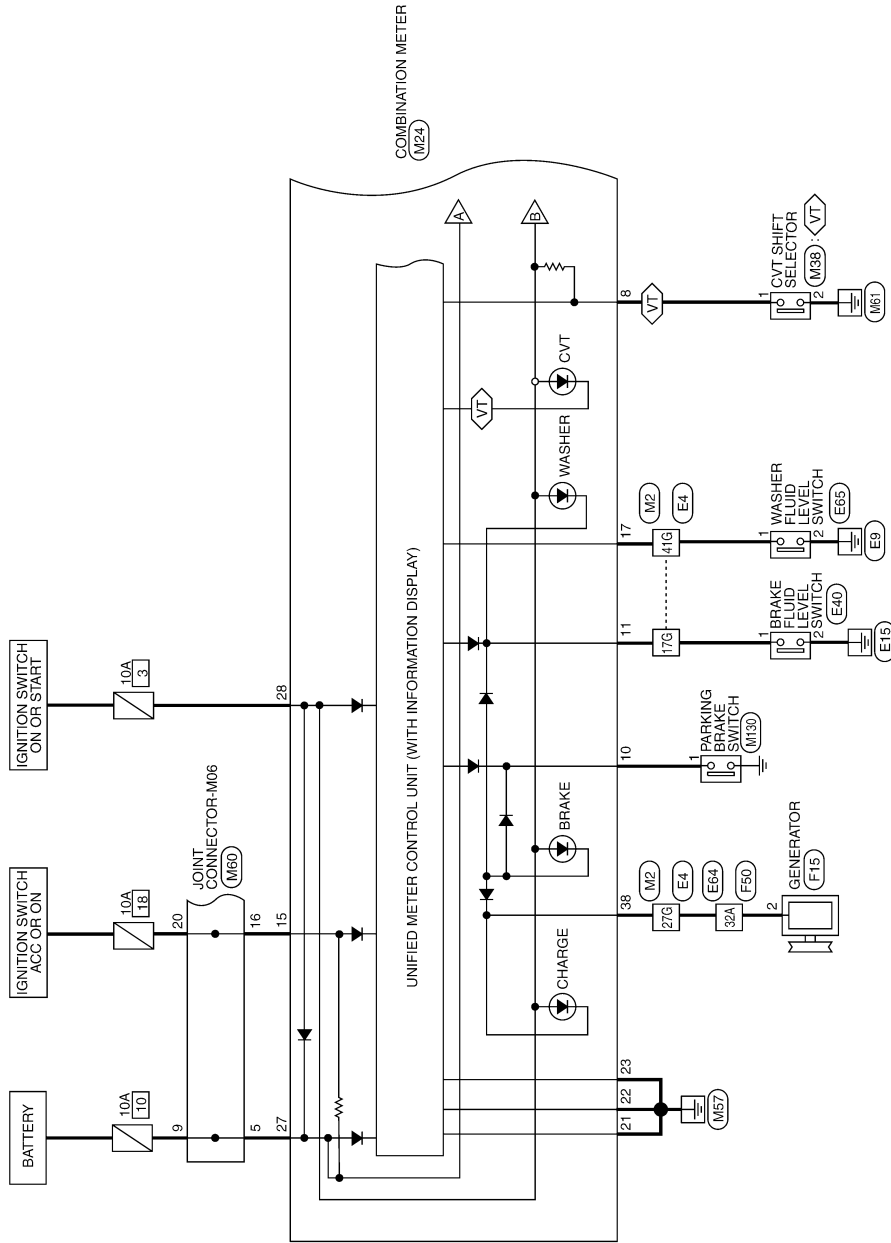
METER SYSTEM

Wiring Diagram

INFOID:000000008766290

METER

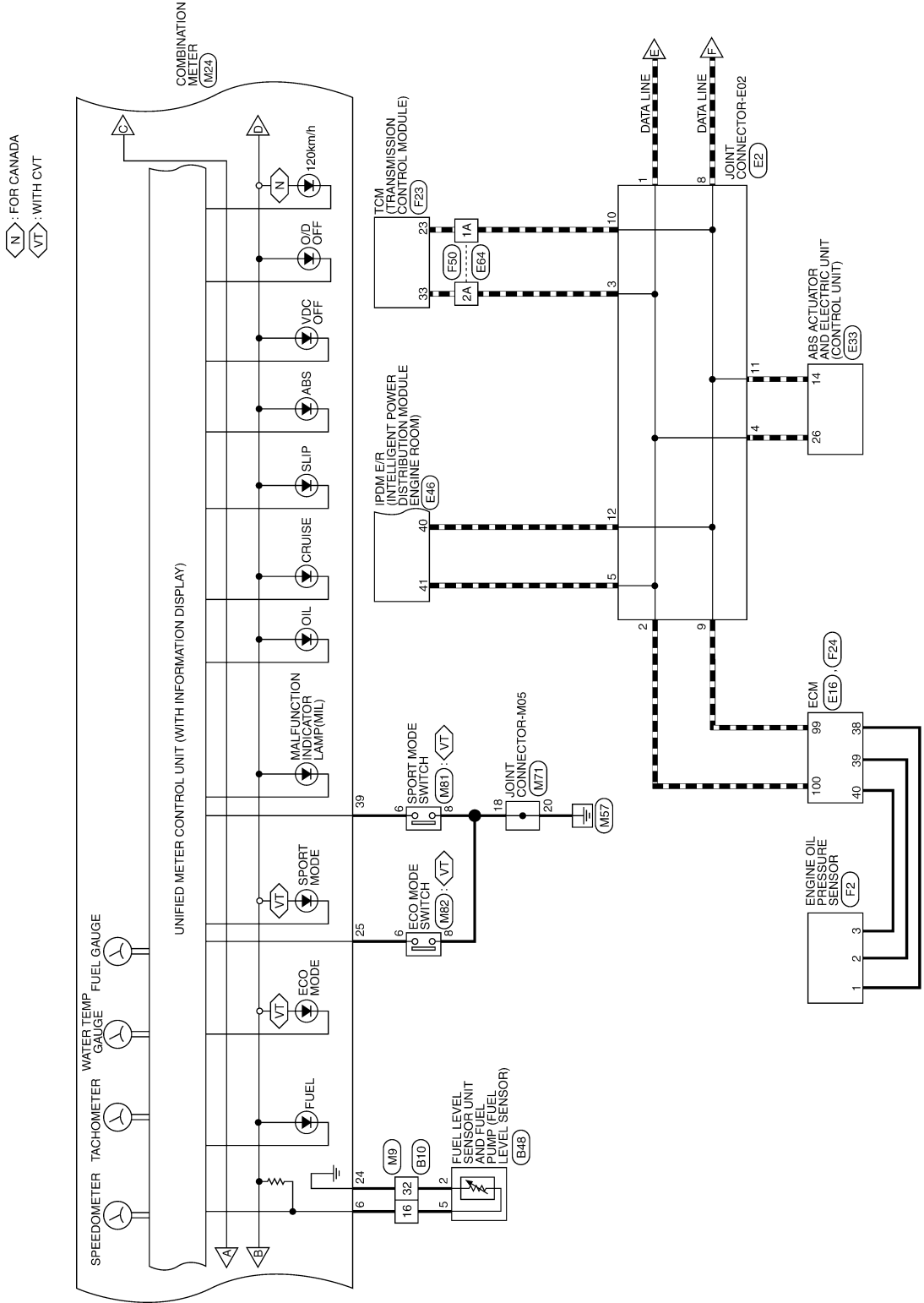
VT : WITH CVT



AANWA0693GB

METER SYSTEM

< WIRING DIAGRAM >



(N) : FOR CANADA
(VT) : WITH CVT

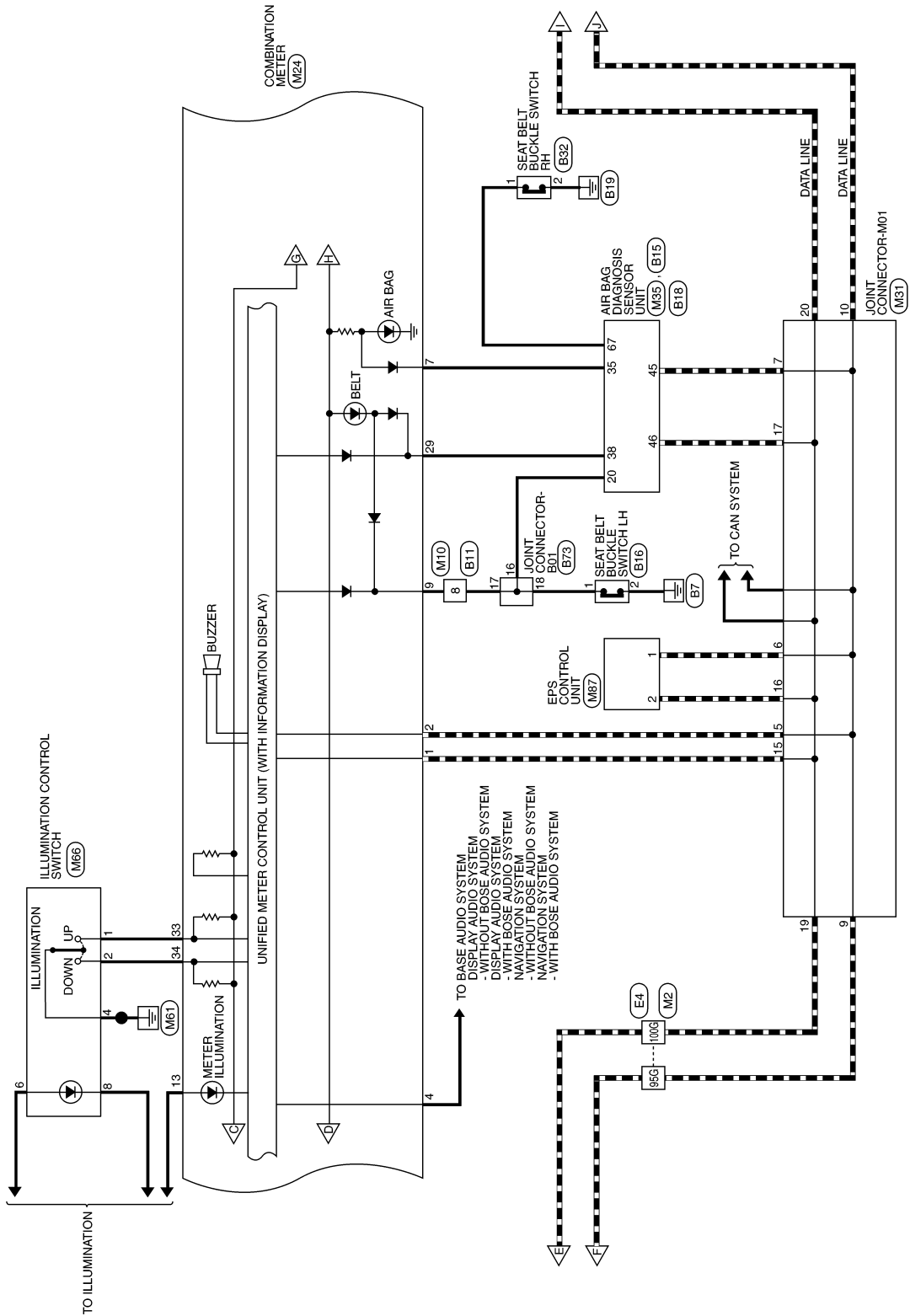
A
B
C
D
E
F
G
H
I
J
K
L
M
N
O
P

MWI

AANWA0694GB

METER SYSTEM

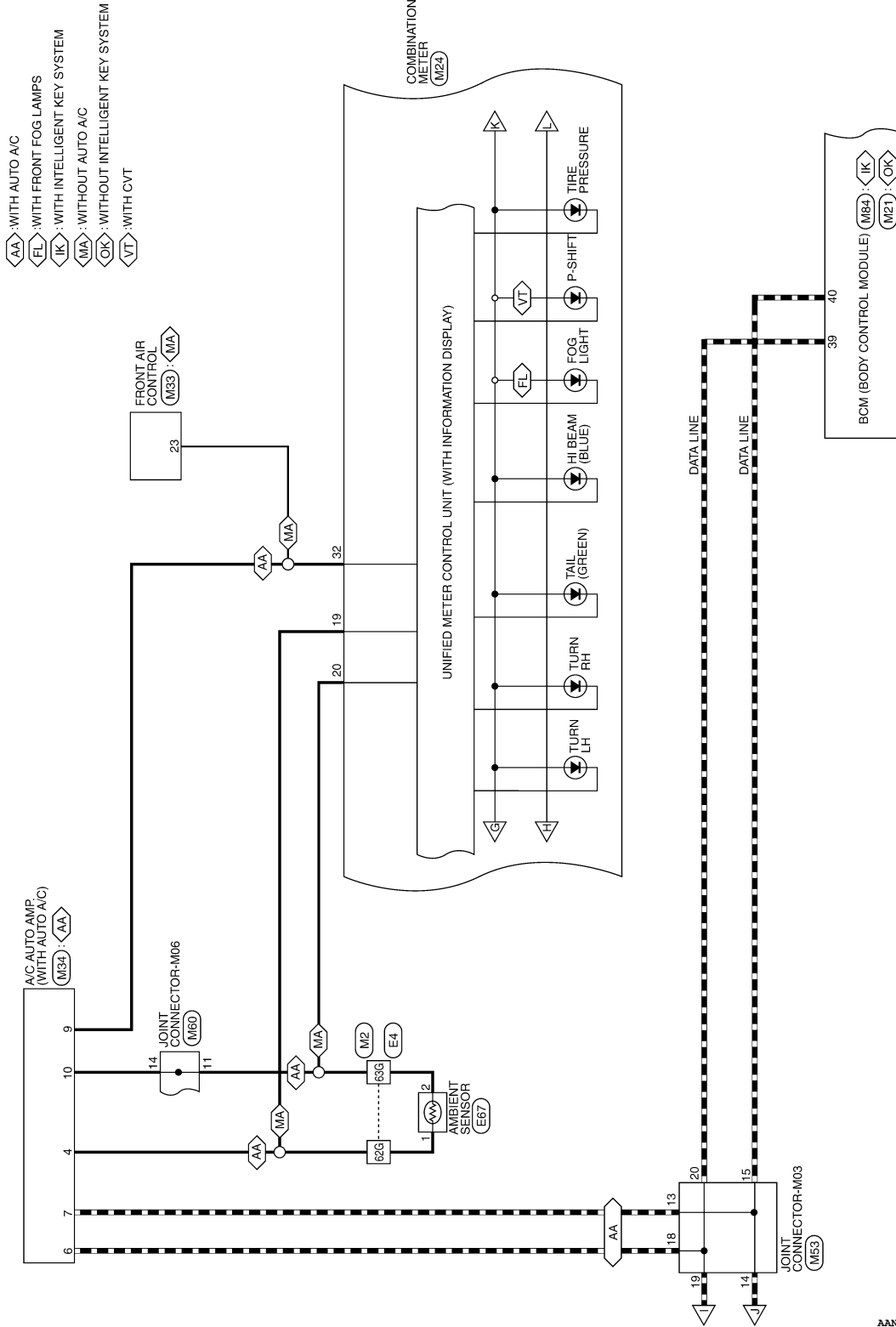
< WIRING DIAGRAM >



AANWA0695GB

METER SYSTEM

< WIRING DIAGRAM >



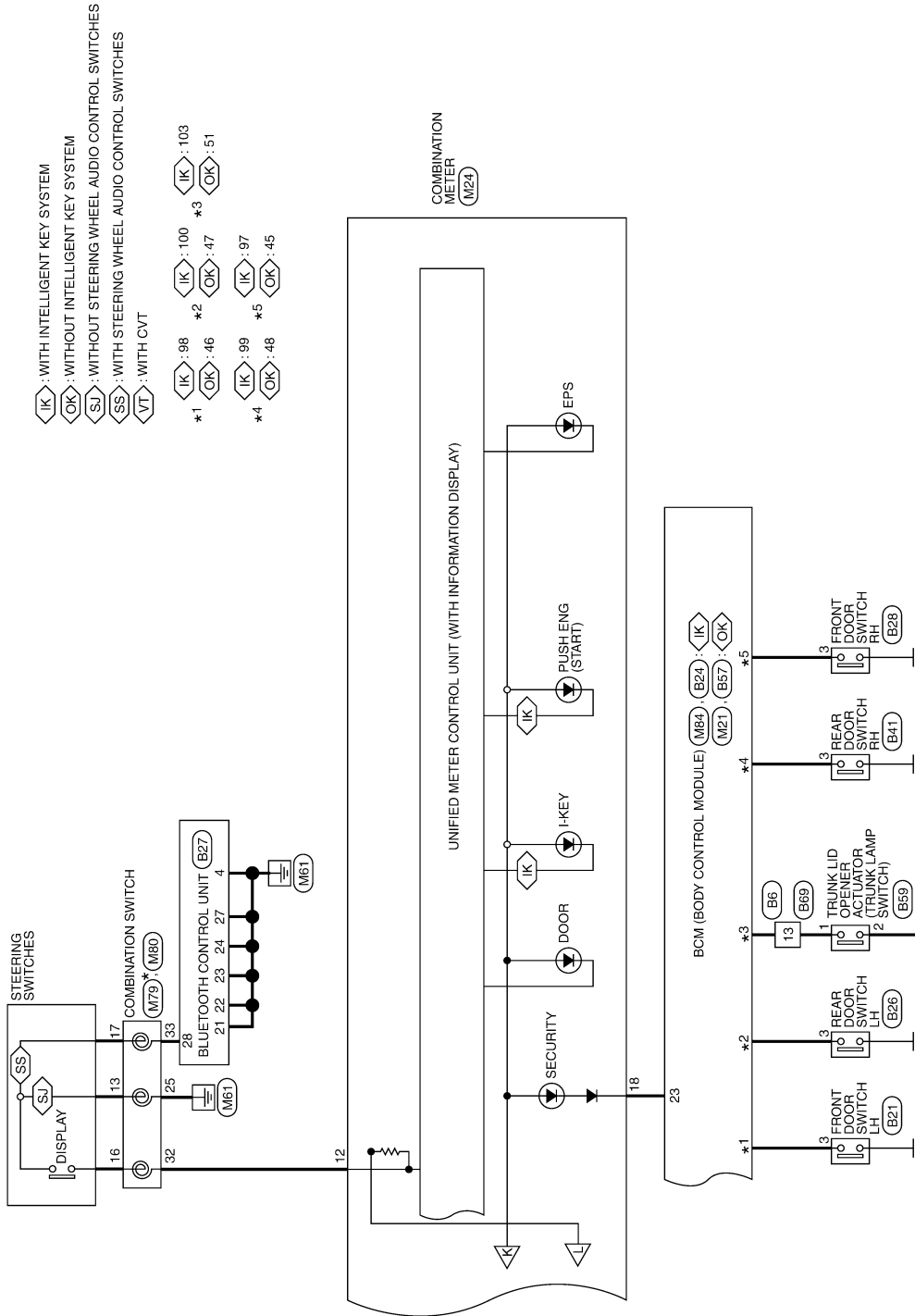
- AA : WITH AUTO A/C
- FL : WITH FRONT FOG LAMPS
- IK : WITH INTELLIGENT KEY SYSTEM
- MA : WITHOUT AUTO A/C
- OK : WITHOUT INTELLIGENT KEY SYSTEM
- VT : WITH CVT

A
B
C
D
E
F
G
H
I
J
K
L
M
N
O
P

MWI

METER SYSTEM

< WIRING DIAGRAM >



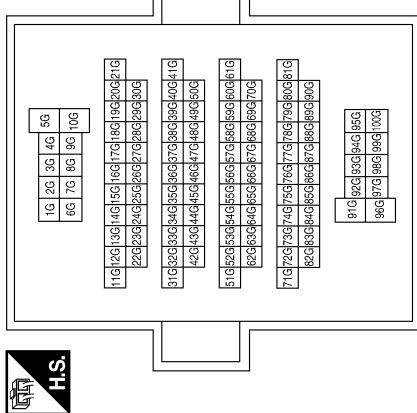
- <IK> : WITH INTELLIGENT KEY SYSTEM
 - <OK> : WITHOUT INTELLIGENT KEY SYSTEM
 - <SJ> : WITHOUT STEERING WHEEL AUDIO CONTROL SWITCHES
 - <SS> : WITH STEERING WHEEL AUDIO CONTROL SWITCHES
 - <VT> : WITH CVT
- *1 <IK> : 98 <IK> : 100 <IK> : 103
 - <OK> : 46 <OK> : 47 <OK> : 51
 - *4 <IK> : 99 <IK> : 97
 - <OK> : 48 <OK> : 45

* : THIS CONNECTOR IS NOT SHOWN IN "HARNESS LAYOUT" OF PG SECTION.

AANWA0697GB

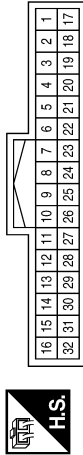
METER CONNECTORS

Connector No.	M2
Connector Name	WIRE TO WIRE
Connector Color	WHITE



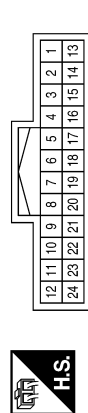
Terminal No.	Color of Wire	Signal Name
17G	G	-
27G	L	-
41G	O	-
62G	V	-
63G	R	-
95G	P	-
100G	L	-

Connector No.	M9
Connector Name	WIRE TO WIRE
Connector Color	WHITE

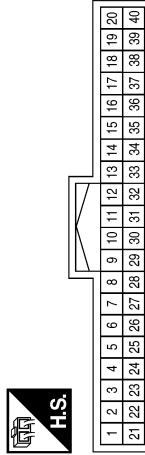


Terminal No.	Color of Wire	Signal Name
16	G	-
32	O	-

Connector No.	M10
Connector Name	WIRE TO WIRE
Connector Color	WHITE



Connector No.	M21
Connector Name	BCM (BODY CONTROL MODULE)
Connector Color	WHITE



Terminal No.	Color of Wire	Signal Name
8	L	-

Terminal No.	Color of Wire	Signal Name
23	Y	SECURITY INDICATOR OUTPUT
39	L	CAN-H
40	P	CAN-L

AANIA128GB

METER SYSTEM

< WIRING DIAGRAM >

Connector No.	M24
Connector Name	COMBINATION METER
Connector Color	WHITE



20	19	18	17	16	15	14	13	12	11	10	9	8	7	6	5	4	3	2	1
40	39	38	37	36	35	34	33	32	31	30	29	28	27	26	25	24	23	22	21

Terminal No.	Color of Wire	Signal Name
1	L	CAN-H
2	P	CAN-L
3	-	-
4	Y	8P/R OUTPUT
5	-	-
6	G	FUEL M SIG
7	SB	AIRBAG WARN
8	W	NOT M MODE SW O/D OFF

Connector No.	M31
Connector Name	JOINT CONNECTOR-M01
Connector Color	GRAY



10	9	8	7	6	5	4	3	2	1
20	19	18	17	16	15	14	13	12	11

Terminal No.	Color of Wire	Signal Name
5	P	-
6	P	-
7	P	-
9	P	-
10	P	-

Terminal No.	Color of Wire	Signal Name
9	L	DR BUCKLE SW
10	SB	PKB SW
11	G	BRAKE OIL SW
12	LG	ODO TRIP SW
13	B	ILL CONT OUTPUT
14	-	-
15	LG	ACC
16	-	-
17	O	WASHER SW
18	Y	SECURITY
19	V	OUTSIDE TEMP SENS SIG
20	R	OUTSIDE TEMP SENS GND
21	B	GND(ILL)
22	B	GND2(POWER)
23	B	GND3(CIRCUIT)
24	O	FUEL M GND
25	GR	ECO MODE SW

Terminal No.	Color of Wire	Signal Name
26	-	-
27	LG	BAT
28	GR	IGN
29	V	AS BUCKLE SW
30	-	-
31	GR	OUT GND
32	P	AS BUCKLE SW
33	R	ILL CONT SW -
34	Y	ILL CONT SW +
35	-	-
36	-	-
37	-	-
38	L	CHG
39	W	SPORTS MODE SW
40	-	-

Terminal No.	Color of Wire	Signal Name
15	L	-
16	L	-
17	L	-
19	L	-
20	L	-

Connector No.	M33
Connector Name	A/C AUTO AMP. (WITH MANUAL A/C)
Connector Color	WHITE



1	2	3	4	5	6	7	8	9	10	11	12	13	14	15	16	17	18	19	20
21	22	23	24	25	26	27	28	29	30	31	32	33	34	35	36	37	38	39	40

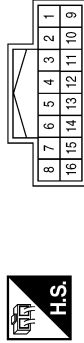
Terminal No.	Color of Wire	Signal Name
23	P	PD CUT

AANIA1129GB

METER SYSTEM

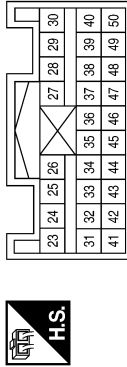
< WIRING DIAGRAM >

Connector No.	M38
Connector Name	CVT SHIFT SELECTOR
Connector Color	WHITE



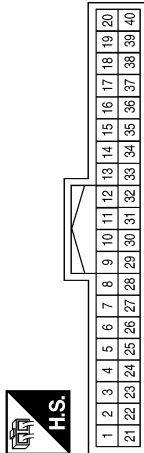
Terminal No.	Color of Wire	Signal Name
1	W	-
2	B	-

Connector No.	M35
Connector Name	AIR BAG DIAGNOSIS SENSOR UNIT
Connector Color	YELLOW



Terminal No.	Color of Wire	Signal Name
35	SB	A/B W/L
38	V	SEATBELT W/L
45	P	CAN-L
46	L	CAN-H

Connector No.	M34
Connector Name	A/C AUTO AMP (WITH AUTO A/C)
Connector Color	WHITE



Terminal No.	Color of Wire	Signal Name
4	GR	AMB S
6	L	CAN-H
7	P	CAN-L
9	GR	METER 5V
10	L	S GND

Connector No.	M66
Connector Name	ILLUMINATION CONTROL SWITCH
Connector Color	WHITE



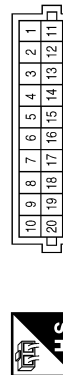
Terminal No.	Color of Wire	Signal Name
1	R	-
2	Y	-
4	B	-
6	O	-
8	B	-

Connector No.	M60
Connector Name	JOINT CONNECTOR-M06
Connector Color	BLUE



Terminal No.	Color of Wire	Signal Name
5	LG	-
9	W	-
11	L	-
14	R	-
16	SB	-
20	L	-

Connector No.	M53
Connector Name	JOINT CONNECTOR-M03
Connector Color	PINK



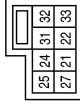
Terminal No.	Color of Wire	Signal Name
13	P	-
14	P	-
15	P	-
18	L	-
19	L	-
20	L	-

AANIA1130GB

METER SYSTEM

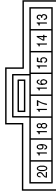
< WIRING DIAGRAM >

Connector No.	M80
Connector Name	COMBINATION SWITCH (SPIRAL CABLE)
Connector Color	GRAY



Terminal No.	Color of Wire	Signal Name
25	B	-
32	LG	-
33	L	-

Connector No.	M79
Connector Name	COMBINATION SWITCH (SPIRAL CABLE)
Connector Color	GRAY



Terminal No.	Color of Wire	Signal Name
13	B	-
16	B	-
17	B	-

Connector No.	M71
Connector Name	JOINT CONNECTOR-M05
Connector Color	PINK



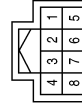
Terminal No.	Color of Wire	Signal Name
18	B	-
20	B	-

Connector No.	M84
Connector Name	BCM (BODY CONTROL MODULE) (WITH INTELLIGENT KEY SYSTEM)
Connector Color	BLACK



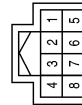
Terminal No.	Color of Wire	Signal Name
23	W	SECURITY IND OUTPUT
39	L	CAN-H
40	P	CAN-L

Connector No.	M82
Connector Name	ECO MODE SWITCH
Connector Color	GRAY



Terminal No.	Color of Wire	Signal Name
6	W	-
8	B	-

Connector No.	M81
Connector Name	SPORTS MODE SWITCH
Connector Color	BLUE



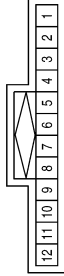
Terminal No.	Color of Wire	Signal Name
6	W	-
8	B	-

AANIA1131GB

METER SYSTEM

< WIRING DIAGRAM >

Connector No.	E2
Connector Name	JOINT CONNECTOR-E02
Connector Color	BLUE



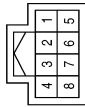
Terminal No.	Color of Wire	Signal Name
1	L	-
2	L	-
3	L	-
4	L	-
5	L	-
8	P	-
9	P	-
10	P	-
11	P	-
12	P	-

Connector No.	M130
Connector Name	PARKING BRAKE SWITCH
Connector Color	BLACK



Terminal No.	Color of Wire	Signal Name
1	SB	-

Connector No.	M87
Connector Name	EPS CONTROL UNIT
Connector Color	WHITE



Terminal No.	Color of Wire	Signal Name
1	P	CAN-L
2	L	CAN-H

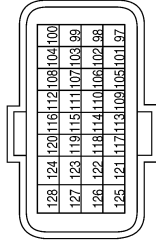
A
B
C
D
E
F
G
H
I
J
K
L
M
MWI
O
P

AANIA1132GB

METER SYSTEM

< WIRING DIAGRAM >

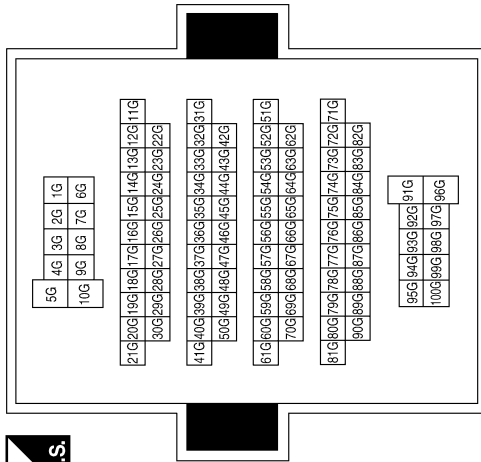
Connector No.	E16
Connector Name	ECM
Connector Color	GRAY



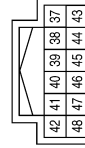
Terminal No.	Color of Wire	Signal Name
99	P	CAN-L
100	L	CAN-H

Terminal No.	Color of Wire	Signal Name
17G	LG	-
27G	Y	-
41G	L	-
62G	V	-
63G	LG	-
95G	P	-
100G	L	-

Connector No.	E4
Connector Name	WIRE TO WIRE
Connector Color	WHITE



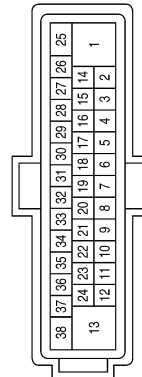
Connector No.	E46
Connector Name	IPDM E/R (INTELLIGENT POWER DISTRIBUTION MODULE (ENGINE ROOM))
Connector Color	WHITE



Connector No.	E40
Connector Name	BRAKE FLUID LEVEL SWITCH
Connector Color	BLACK



Connector No.	E33
Connector Name	ABS ACTUATOR AND ELECTRIC UNIT (CONTROL UNIT)
Connector Color	BLACK



Terminal No.	Color of Wire	Signal Name
40	P	CAN-L
41	L	CAN-H

Terminal No.	Color of Wire	Signal Name
1	LG	-
2	B	-

Terminal No.	Color of Wire	Signal Name
14	P	CAN-L
26	L	CAN-H

AANIA1.133GB

METER SYSTEM

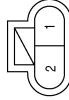
< WIRING DIAGRAM >

Connector No.	E67
Connector Name	AMBIENT SENSOR
Connector Color	BLACK



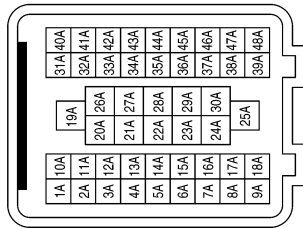
Terminal No.	Color of Wire	Signal Name
1	V	-
2	LG	-

Connector No.	E65
Connector Name	WASHER FLUID LEVEL SWITCH
Connector Color	BROWN



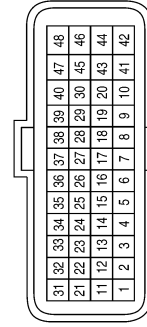
Terminal No.	Color of Wire	Signal Name
1	L	-
2	BW	-

Connector No.	E64
Connector Name	WIRE TO WIRE
Connector Color	BLACK



Terminal No.	Color of Wire	Signal Name
1A	P	-
2A	L	-
32A	Y	-

Connector No.	F23
Connector Name	TCM (TRANSMISSION CONTROL MODULE)
Connector Color	BLACK



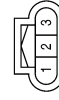
Terminal No.	Color of Wire	Signal Name
23	P	CAN-L
33	L	CAN-H

Connector No.	F15
Connector Name	GENERATOR
Connector Color	BLACK



Terminal No.	Color of Wire	Signal Name
2	LG	-

Connector No.	F2
Connector Name	ENGINE OIL PRESSURE SENSOR
Connector Color	BLACK



Terminal No.	Color of Wire	Signal Name
1	W	-
2	G	-
3	R	-

AANIA1134GB

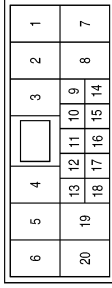
A
B
C
D
E
F
G
H
I
J
K
L
M
N
O
P

MWI

METER SYSTEM

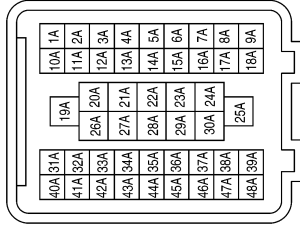
< WIRING DIAGRAM >

Connector No.	B6
Connector Name	WIRE TO WIRE
Connector Color	WHITE



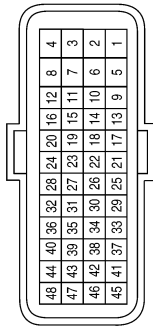
Terminal No.	Color of Wire	Signal Name
13	V	-
20	B	-

Connector No.	F50
Connector Name	WIRE TO WIRE
Connector Color	BLACK



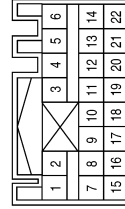
Terminal No.	Color of Wire	Signal Name
1A	P	-
2A	L	-
32A	LG	-

Connector No.	F24
Connector Name	ECM
Connector Color	BLACK



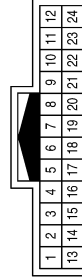
Terminal No.	Color of Wire	Signal Name
38	W	GND A OILPRES
39	G	OILPRES
40	R	AVCC2 OILPRES

Connector No.	B15
Connector Name	AIR BAG DIAGNOSIS SENSOR UNIT
Connector Color	YELLOW



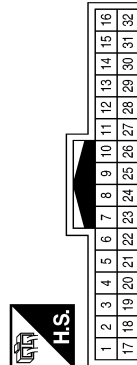
Terminal No.	Color of Wire	Signal Name
20	V	BUCKLE SW FR LH

Connector No.	B11
Connector Name	WIRE TO WIRE
Connector Color	WHITE



Terminal No.	Color of Wire	Signal Name
8	LG	-

Connector No.	B10
Connector Name	WIRE TO WIRE
Connector Color	WHITE



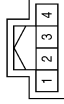
Terminal No.	Color of Wire	Signal Name
16	BR	-
32	L	-

AANIA1.135GB

METER SYSTEM

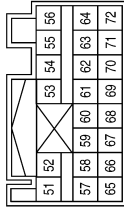
< WIRING DIAGRAM >

Connector No.	B21
Connector Name	FRONT DOOR SWITCH LH
Connector Color	WHITE



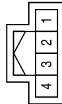
Terminal No.	Color of Wire	Signal Name
3	Y	-

Connector No.	B18
Connector Name	AIR BAG DIAGNOSIS SENSOR UNIT
Connector Color	YELLOW



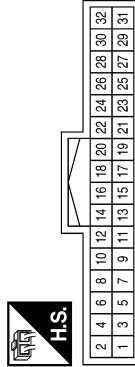
Terminal No.	Color of Wire	Signal Name
67	LG	BUCKLE SW FR RH

Connector No.	B16
Connector Name	SEAT BELT BUCKLE SWITCH LH
Connector Color	WHITE



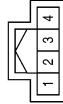
Terminal No.	Color of Wire	Signal Name
1	R	-
2	B	-

Connector No.	B27
Connector Name	BLUETOOTH CONTROL UNIT
Connector Color	WHITE



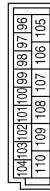
Terminal No.	Color of Wire	Signal Name
4	B	GND
21	B	CONT 2
22	B	CONT 3
23	B	CONT 4
24	B	CONT 5
27	B	CONT 6
28	Y	SPEED SIGNAL

Connector No.	B26
Connector Name	REAR DOOR SWITCH LH
Connector Color	WHITE



Terminal No.	Color of Wire	Signal Name
3	GR	-

Connector No.	B24
Connector Name	BCM (BODY CONTROL MODULE) (WITH INTELLIGENT KEY SYSTEM)
Connector Color	WHITE



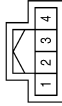
Terminal No.	Color of Wire	Signal Name
97	GR	DOOR SW RL
98	Y	DOOR SW DR
99	P	DOOR SW RR
100	R	DOOR SW AS
103	V	TRUNK SW

AANIA1136GB

METER SYSTEM

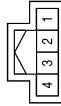
< WIRING DIAGRAM >

Connector No.	B41
Connector Name	REAR DOOR SWITCH RH
Connector Color	WHITE



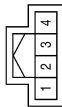
Terminal No.	Color of Wire	Signal Name
3	P	-

Connector No.	B32
Connector Name	SEAT BELT BUCKLE SWITCH RH
Connector Color	WHITE



Terminal No.	Color of Wire	Signal Name
1	LG	-
2	B	-

Connector No.	B28
Connector Name	FRONT DOOR SWITCH RH
Connector Color	WHITE



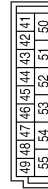
Terminal No.	Color of Wire	Signal Name
3	R	-

Connector No.	B59
Connector Name	TRUNK LID OPENER ACTUATOR
Connector Color	WHITE



Terminal No.	Color of Wire	Signal Name
1	R	-
2	B	-

Connector No.	B57
Connector Name	BCM (BODY CONTROL MODULE)(WITH KEY-LESS SYSTEM)
Connector Color	BLACK



Terminal No.	Color of Wire	Signal Name
45	R	DOOR SW AS
46	Y	DOOR SW DR
47	GR	DOOR SW RL
48	P	DOOR SW RR
51	V	TRUNK SW

Connector No.	B48
Connector Name	FUEL LEVEL SENSOR UNIT AND FUEL PUMP
Connector Color	GRAY



Terminal No.	Color of Wire	Signal Name
2	BR	-
5	L	-

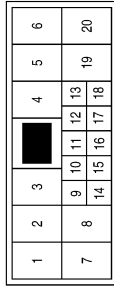
AANIA1137GB

METER SYSTEM

< WIRING DIAGRAM >

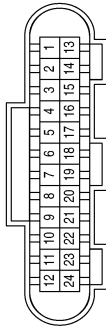
A
B
C
D
E
F
G
H
I
J
K
L
M
MWI
O
P

Connector No.	B93
Connector Name	WIRE TO WIRE
Connector Color	WHITE



Terminal No.	Color of Wire	Signal Name
13	R	-
20	B	-

Connector No.	B73
Connector Name	JOINT CONNECTOR-B01
Connector Color	BLACK



Terminal No.	Color of Wire	Signal Name
16	R	-
17	LG	-
18	R	-

AANIA1138GB

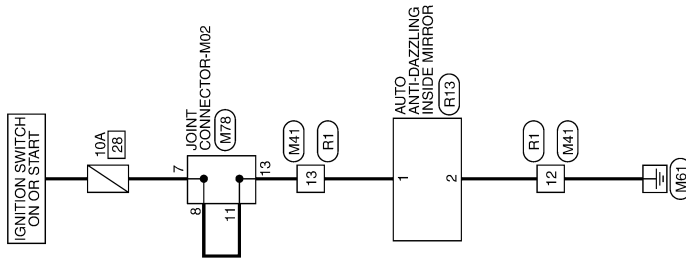
COMPASS

< WIRING DIAGRAM >

COMPASS

Wiring Diagram

INFOID:000000009020437

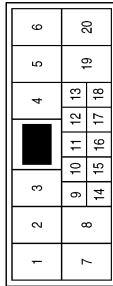


COMPASS

AANWA0698GB

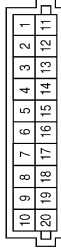
COMPASS CONNECTORS

Connector No.	M41
Connector Name	WIRE TO WIRE
Connector Color	WHITE



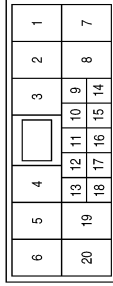
Terminal No.	Color of Wire	Signal Name
12	B	-
13	GR	-

Connector No.	M78
Connector Name	JOINT CONNECTOR-M02
Connector Color	PINK



Terminal No.	Color of Wire	Signal Name
7	G	-
8	LG	-
11	LG	-
13	GR	-

Connector No.	R1
Connector Name	WIRE TO WIRE
Connector Color	WHITE



Terminal No.	Color of Wire	Signal Name
12	B	-
13	BR	-

Connector No.	R13
Connector Name	AUTO ANTI-DAZZLING INSIDE MIRROR
Connector Color	BLACK



Terminal No.	Color of Wire	Signal Name
1	BR	IGN
2	B	GND

A
B
C
D
E
F
G
H
I
J
K
L
M
MWI
O
P

DIAGNOSIS AND REPAIR WORKFLOW

< BASIC INSPECTION >

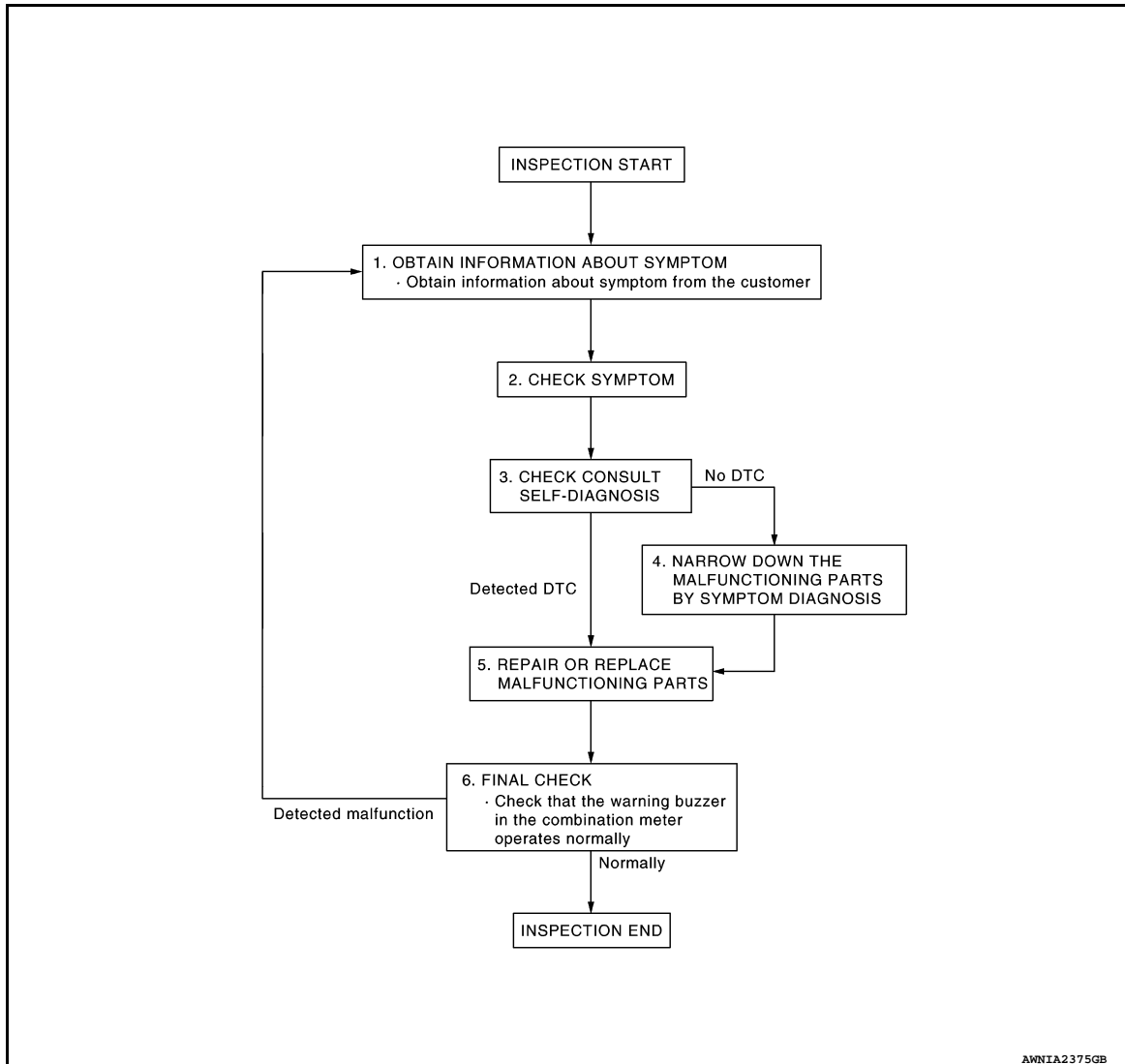
BASIC INSPECTION

DIAGNOSIS AND REPAIR WORKFLOW

Work flow

INFOID:000000008766291

OVERALL SEQUENCE



DETAILED FLOW

1. OBTAIN INFORMATION ABOUT SYMPTOM

Interview the customer to obtain as much information as possible about the conditions and environment under which the malfunction occurred.

>> GO TO 2.

2. CHECK SYMPTOM

- Check the symptom based on the information obtained from the customer.
- Check if any other malfunctions are present.

>> GO TO 3.

3. CHECK CONSULT SELF-DIAGNOSIS RESULTS

Connect CONSULT and perform self-diagnosis. Refer to [MWI-26. "DTC Index"](#).

DIAGNOSIS AND REPAIR WORKFLOW

< BASIC INSPECTION >

Are self-diagnosis results normal?

YES >> GO TO 4.

NO >> GO TO 5.

A

4.NARROW DOWN MALFUNCTIONING PARTS BY SYMPTOM DIAGNOSIS

Perform symptom diagnosis and narrow down the malfunctioning parts.

B

>> GO TO 5.

C

5.REPAIR OR REPLACE MALFUNCTIONING PARTS

Repair or replace malfunctioning parts.

NOTE:

If DTC is displayed, erase DTC after repairing or replacing malfunctioning parts.

D

>> GO TO 6.

E

6.FINAL CHECK

Check that the warning buzzer in the combination meter operates normally.

Does it operate normally?

F

YES >> Inspection End.

NO >> GO TO 1.

G

H

I

J

K

L

M

MWI

O

P

U1000 CAN COMM CIRCUIT

< DTC/CIRCUIT DIAGNOSIS >

DTC/CIRCUIT DIAGNOSIS

U1000 CAN COMM CIRCUIT

DTC Logic

INFOID:000000008766293

DTC DETECTION LOGIC

DTC	CONSULT	Detection condition	Possible malfunction location
U1000	CAN COMM CIRC [U1000]	When combination meter is not receiving CAN communication signals for 2 seconds or more.	Combination meter

Diagnosis Procedure

INFOID:000000008766294

1. CHECK CAN COMMUNICATION

Select SELF-DIAG RESULTS mode for METER/M&A with CONSULT.

>> GO TO LAN system. Refer to [LAN-16. "Trouble Diagnosis Flow Chart"](#).

U1010 CONTROL UNIT (CAN)

< DTC/CIRCUIT DIAGNOSIS >

U1010 CONTROL UNIT (CAN)

Description

INFOID:000000008766295

Initial diagnosis of combination meter.

DTC Logic

INFOID:000000008766296

DTC DETECTION LOGIC

DTC	Display contents of CONSULT	Detection condition	Possible malfunction
U1010	CONTROL UNIT (CAN) [U1010]	When detecting error during the initial diagnosis of the CAN controller of combination meter.	Combination meter

Diagnosis Procedure

INFOID:000000008766297

1. REPLACE COMBINATION METER

When DTC U1010 is detected, replace combination meter. Refer to [MWI-77. "Removal and Installation"](#).

>> Inspection End.

A
B
C
D
E
F
G
H
I
J
K
L
M
O
P

MWI

B2205 VEHICLE SPEED

< DTC/CIRCUIT DIAGNOSIS >

B2205 VEHICLE SPEED

Description

INFOID:000000008766298

The ABS actuator and electric unit (control unit) provides a vehicle speed signal to the combination meter via CAN communication lines.

DTC Logic

INFOID:000000008766299

DTC DETECTION LOGIC

DTC	CONSULT	Detection condition	Possible malfunction location
B2205	VEHICLE SPEED CIRC [B2205]	Malfunction is detected when an erroneous speed signal is received for 2 seconds or more.	<ul style="list-style-type: none">• Combination meter• ABS actuator and electric unit (control unit)

Diagnosis Procedure

INFOID:000000008766300

1. CHECK COMBINATION METER INPUT SIGNAL

1. Start engine and select METER/M&A on CONSULT.
2. Using SPEED METER on DATA MONITOR, compare the value of DATA MONITOR with speedometer pointer of combination meter. Speedometer and DATA MONITOR indications should be close.

Is the inspection result normal?

- YES >> Perform ABS actuator and electric unit (control unit) self-diagnosis. Refer to [BRC-31, "CONSULT Function \(ABS\)"](#).
- NO >> Replace combination meter. Refer to [MWI-77, "Removal and Installation"](#).

B2267 ENGINE SPEED

< DTC/CIRCUIT DIAGNOSIS >

B2267 ENGINE SPEED

Description

INFOID:000000008766301

The engine speed signal is transmitted from ECM to the combination meter via CAN communication.

DTC Logic

INFOID:000000008766302

DTC DETECTION LOGIC

DTC	CONSULT	Detection condition	Possible malfunction location
B2267	TACHO METER [B2267]	ECM continuously transmits abnormal engine speed signals for 2 seconds or more	<ul style="list-style-type: none">• Crankshaft position sensor (POS)• ECM

Diagnosis Procedure

INFOID:000000008766303

1. PERFORM SELF-DIAGNOSIS OF ECM

Perform Self Diagnostic Result of ECM, and repair or replace malfunctioning parts.

>> Refer to [EC-66, "CONSULT Function"](#).

A
B
C
D
E
F
G
H
I
J
K
L
M
O
P

MWI

B2268 WATER TEMP

< DTC/CIRCUIT DIAGNOSIS >

B2268 WATER TEMP

Description

INFOID:000000008766304

The engine coolant temperature signal is transmitted from ECM to the combination meter via CAN communication.

DTC Logic

INFOID:000000008766305

DTC DETECTION LOGIC

DTC	CONSULT	Detection condition	Probable malfunction location
B2268	WATER TEMP METER [B2268]	ECM continuously transmits abnormal engine coolant temperature signals for 60 seconds or more	<ul style="list-style-type: none">• Engine coolant temperature sensor• ECM

Diagnosis Procedure

INFOID:000000008766306

1. PERFORM SELF-DIAGNOSIS OF ECM

Perform Self Diagnostic Result of ECM, and repair or replace malfunctioning parts.

>> Refer to [EC-66. "CONSULT Function"](#).

POWER SUPPLY AND GROUND CIRCUIT

< DTC/CIRCUIT DIAGNOSIS >

POWER SUPPLY AND GROUND CIRCUIT COMBINATION METER

COMBINATION METER : Diagnosis Procedure

INFOID:000000008766307

Regarding Wiring Diagram information, refer to [MWI-28. "Wiring Diagram"](#).

1. CHECK FUSES

Check that the following fuses are not blown.

Unit	Power source	Fuse No.
Combination meter	Battery	10
	Ignition switch ON or ACC	18
	Ignition switch ON or START	3

Is the fuse blown?

YES >> Replace the blown fuse after repairing the affected circuit.

NO >> GO TO 2.

2. POWER SUPPLY CIRCUIT CHECK

Check voltage between combination meter harness connector M24 terminals 15, 27, 28 and ground.

Terminals		Ignition switch position				
(+)		(-)	OFF	ACC	ON	START
Connector	Terminal					
M24	27	Ground	Battery voltage	Battery voltage	Battery voltage	Battery voltage
	15		0V	0V	Battery voltage	Battery voltage
	28		0V	Battery voltage	Battery voltage	0V

Is the inspection result normal?

YES >> GO TO 3.

NO >> Repair or replace harness or connector.

3. CHECK GROUND CIRCUIT

Check continuity between combination meter harness connector M24 terminals 21, 22, 23 and ground.

Combination meter		Ground	Continuity
Connector	Terminal		
M24	21		Yes
	22		
	23		

Is the inspection result normal?

YES >> Inspection End.

NO >> Repair or replace harness or connector.

BCM (BODY CONTROL SYSTEM) (WITH INTELLIGENT KEY SYSTEM)

BCM (BODY CONTROL SYSTEM) (WITH INTELLIGENT KEY SYSTEM) : Diagnosis Procedure

INFOID:000000009020447

Regarding Wiring Diagram information, refer to [BCS-52. "Wiring Diagram"](#).

POWER SUPPLY AND GROUND CIRCUIT

< DTC/CIRCUIT DIAGNOSIS >

1. CHECK FUSES AND FUSIBLE LINK

Check that the following fuses and fusible link are not blown.

Terminal No.	Signal name	Fuses and fusible link No.
88	Battery power supply	12 (10A)
90		G (40A)

Is the fuse blown?

YES >> Replace the blown fuse or fusible link after repairing the affected circuit.

NO >> GO TO 2.

2. CHECK POWER SUPPLY CIRCUIT

1. Disconnect BCM connector M85.
2. Check voltage between BCM connector M85 and ground.

BCM		Ground	Voltage
Connector	Terminal		
M85	88	—	Battery voltage
	90		

Is the inspection result normal?

YES >> GO TO 3.

NO >> Repair harness or connector.

3. CHECK GROUND CIRCUIT

Check continuity between BCM connector M85 and ground.

BCM		Ground	Continuity
Connector	Terminal		
M85	93	—	Yes

Is the inspection result normal?

YES >> Inspection End.

NO >> Repair harness or connector.

BCM (BODY CONTROL SYSTEM) (WITHOUT INTELLIGENT KEY SYSTEM)

BCM (BODY CONTROL SYSTEM) (WITHOUT INTELLIGENT KEY SYSTEM) : Diagnosis Procedure

INFOID:000000009020448

Regarding Wiring Diagram information, refer to [BCS-112. "Wiring Diagram"](#).

1. CHECK FUSES AND FUSIBLE LINK

Check that the following fuses and fusible link are not blown.

Terminal No.	Signal name	Fuses and fusible link No.
63	Battery power supply	12 (10A)
70		G (40A)
11	Ignition switch ACC or ON	18 (10A)

Is the fuse blown?

YES >> Replace the blown fuse or fusible link after repairing the affected circuit.

POWER SUPPLY AND GROUND CIRCUIT

< DTC/CIRCUIT DIAGNOSIS >

NO >> GO TO 2.

2.CHECK POWER SUPPLY CIRCUIT

1. Turn ignition switch OFF.
2. Disconnect BCM connectors.
3. Check voltage between BCM connector and ground.

BCM		Ground	Ignition switch position		
Connector	Terminal		OFF	ACC	ON
M20	63	—	Battery voltage	Battery voltage	Battery voltage
	70				
M21	11		0 V	Battery voltage	Battery voltage

Is the inspection result normal?

YES >> GO TO 3.

NO >> Repair harness or connector.

3.CHECK GROUND CIRCUIT

Check continuity between BCM connector and ground.

BCM		Ground	Continuity
Connector	Terminal		
M20	65	—	Yes

Is the inspection result normal?

YES >> Inspection End.

NO >> Repair harness or connector.

A
B
C
D
E
F
G
H
I
J
K
L
M
O
P

MWI

STEERING SWITCH (METER CONTROL SWITCH) SIGNAL CIRCUIT

< DTC/CIRCUIT DIAGNOSIS >

STEERING SWITCH (METER CONTROL SWITCH) SIGNAL CIRCUIT

Diagnosis Procedure

INFOID:000000008766310

Regarding Wiring Diagram information, refer to [MWI-28, "Wiring Diagram"](#).

1. CHECK COMBINATION METER INPUT SIGNAL

1. Turn ignition switch ON.
2. Measure voltage between the following terminals of the combination meter.

Terminals		Condition	Voltage (Approx.)
Combination meter	(-)		
Connector	(+)	When meter control switch is pressed	0 V
M24	12		
		Other than the above	5 V

Is the inspection result normal?

- YES >> Inspection End.
NO >> GO TO 2.

2. CHECK STEERING SWITCH SIGNAL CIRCUIT

1. Turn ignition switch OFF.
2. Disconnect combination meter connector M24 and combination switch connector M80.
3. Check continuity between combination meter harness connector and steering switch harness connector.

Combination meter		Combination switch		Continuity
Connector	Terminal	Connector	Terminal	
M24	12	M80	32	Yes

4. Check continuity between combination meter harness connector and ground.

Combination meter		Ground	Continuity
Connector	Terminal		
M24	12		No

Is the inspection result normal?

- YES >> Inspection End.
NO >> Repair or replace harness or connector.

Component Inspection

INFOID:000000008766311

1. CHECK STEERING SWITCH

Check continuity between spiral cable terminals.

Terminals			Condition	Continuity
Steering switch (with audio steering switches)	13	16	When steering switch is pressed	Yes
			Other than the above	No
Steering switch (without audio steering switches)	17	16	When steering switch is pressed	Yes
			Other than the above	No

Is the inspection result normal?

- YES >> Inspection End.
NO >> Replace steering switch. Refer to [ST-11, "Removal and Installation"](#).

ILLUMINATION CONTROL SWITCH SIGNAL CIRCUIT

< DTC/CIRCUIT DIAGNOSIS >

ILLUMINATION CONTROL SWITCH SIGNAL CIRCUIT

Diagnosis Procedure

INFOID:000000008766312

Regarding Wiring Diagram information, refer to [MWI-28, "Wiring Diagram"](#).

1. CHECK COMBINATION METER INPUT SIGNAL

1. Turn ignition switch ON.
2. Check voltage between the following terminals of the illumination control switch.

Illumination control switch		Ground	Condition	Voltage (Approx.)
Connector	Terminals			
M66	1	When illumination control switch (+) is pressed	0 V	
		Other than the above	5 V	
	2	When illumination control switch (-) is pressed	0 V	
		Other than the above	5 V	

Is the inspection result normal?

YES >> Inspection End.

NO >> GO TO 2.

2. CHECK ILLUMINATION CONTROL SWITCH SIGNAL CIRCUIT

1. Turn ignition switch OFF.
2. Disconnect combination meter connector M24 and illumination control switch connector M66.
3. Check continuity between combination meter harness connector and illumination control switch harness connector.

Combination meter		Illumination control switch		Continuity
Connector	Terminal	Connector	Terminal	
M24	33	M66	1	Yes
	34		2	

4. Check continuity between combination meter harness connector and ground.

Combination meter		Ground	Continuity
Connector	Terminal		
M24	33	Ground	No
	34		

Is the inspection result normal?

YES >> Check illumination control switch. Refer to [MWI-57, "Component Inspection"](#).

NO >> Repair or replace harness or connector.

Component Inspection

INFOID:000000008766313

1. CHECK ILLUMINATION CONTROL SWITCH

1. Turn ignition switch OFF.
2. Disconnect illumination control switch connector.
3. Check illumination control switch.

ILLUMINATION CONTROL SWITCH SIGNAL CIRCUIT

< DTC/CIRCUIT DIAGNOSIS >

Terminals		Condition	Continuity
Illumination control switch			
1	4	When illumination control switch (+) is pressed	Yes
		Other than the above	No
2		When illumination control switch (-) is pressed	Yes
		Other than the above	No

Is the inspection result normal?

YES >> Inspection End.

NO >> Replace illumination control switch. Refer to [MWI-80, "Removal and Installation"](#).

FUEL LEVEL SENSOR SIGNAL CIRCUIT

< DTC/CIRCUIT DIAGNOSIS >

FUEL LEVEL SENSOR SIGNAL CIRCUIT

Description

INFOID:000000009021260

The fuel level sensor unit and fuel pump detects the approximate fuel level in the fuel tank and transmits the fuel level signal to the combination meter.

Component Function Check

INFOID:000000009021261

1.COMBINATION METER INPUT SIGNAL

1. Select METER/M&A on CONSULT.
2. Using FUEL METER of DATA MONITOR, compare the value of DATA MONITOR with fuel gauge pointer of combination meter.

Fuel gauge pointer	Fuel tank volume [L] (Approx.)
Full	47.2
3/4	38.4
1/2	26
1/4	13.9
Empty	0.0

Does the data monitor value approximately match the fuel gauge indication?

YES >> Inspection End.

NO >> Replace combination meter. Refer to [MWI-77. "Removal and Installation"](#).

Diagnosis Procedure

INFOID:000000008766314

Regarding Wiring Diagram information, refer to [MWI-28. "Wiring Diagram"](#).

1.CHECK FUEL LEVEL SENSOR CIRCUIT

1. Turn ignition switch OFF.
2. Disconnect combination meter connector and fuel level sensor unit connector.
3. Check continuity between combination meter harness connector and fuel level sensor unit harness connector.

Combination meter		Fuel level sensor unit		Continuity
Connector	Terminal	Connector	Terminal	
M24	6	B48	5	Yes

4. Check continuity between combination meter harness connector and ground.

Combination meter		Ground	Continuity
Connector	Terminal		
M24	6		No

Is the inspection result normal?

YES >> GO TO 2.

NO >> Repair or replace harness or connector.

2.CHECK FUEL LEVEL SENSOR GROUND CIRCUIT

1. Check continuity between fuel level sensor unit harness connector and combination meter harness connector.

A
B
C
D
E
F
G
H
I
J
K
L
M
N
O
P

MWI

FUEL LEVEL SENSOR SIGNAL CIRCUIT

< DTC/CIRCUIT DIAGNOSIS >

Fuel level sensor unit		Combination meter		Continuity
Connector	Terminal	Connector	Terminal	
B48	2	M24	24	Yes

2. Check continuity between combination meter harness connector and ground.

Combination meter		Ground	Continuity
Connector	Terminal		
M24	2		No

Is the inspection result normal?

YES >> GO TO 3.

NO >> Repair or replace harness or connector.

3. CHECK INSTALLATION CONDITION

Check fuel level sensor unit installation, and check whether the float arm interferes or binds with any of the internal components in the fuel tank.

Is the inspection result normal?

YES >> Inspection End.

NO >> Install the fuel level sensor unit properly. Refer to [FL-6. "Removal and Installation"](#).

Component Inspection

INFOID:000000008766315

1. REMOVE FUEL LEVEL SENSOR UNIT

Remove the fuel level sensor unit. Refer to [FL-6. "Removal and Installation"](#).

>> GO TO 2.

2. CHECK FUEL LEVEL SENSOR UNIT

Check the resistance between fuel level sensor unit and fuel pump.

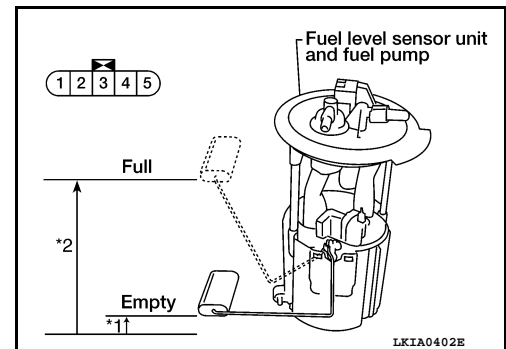
Terminals		Condition	Resistance (Ω) (Approx.)	Height [mm (in)]
Fuel level sensor unit				
2	5	Full* (2)	51	151.0 (5.9)
		Empty* (1)	278	13.8 (0.5)

*: When float rod is in contact with stopper.

Is inspection result OK?

YES >> Inspection End.

NO >> Replace fuel level sensor unit and fuel pump. Refer to [FL-6. "Removal and Installation"](#).



PARKING BRAKE SWITCH SIGNAL CIRCUIT

< DTC/CIRCUIT DIAGNOSIS >

PARKING BRAKE SWITCH SIGNAL CIRCUIT

Component Function Check

INFOID:000000009020438

1. CHECK PARKING BRAKE SWITCH OPERATION

Check that brake warning lamp in combination meter turns ON/OFF when parking brake is actuated.

Is the inspection result normal?

YES >> Inspection End.

NO >> Proceed to diagnosis procedure. Refer to [MWI-61, "Diagnosis Procedure"](#).

Diagnosis Procedure

INFOID:000000009020439

Regarding Wiring Diagram information, refer to [MWI-28, "Wiring Diagram"](#).

1. CONNECTOR INSPECTION

1. Turn ignition switch OFF.
2. Disconnect combination meter and parking brake switch connectors.
3. Check connectors and terminals for deformation, disconnection, looseness or damage.

Is the inspection result normal?

YES >> GO TO 2

NO >> Repair or replace as necessary.

2. CHECK PARKING BRAKE SWITCH

Check parking brake switch. Refer to [MWI-62, "Component Inspection"](#).

Is the inspection result normal?

YES >> GO TO 3.

NO >> Replace parking brake switch. Refer to [PB-7, "Exploded View"](#).

3. CHECK PARKING BRAKE SWITCH SIGNAL

Ⓜ With CONSULT.

1. Connect combination meter connector and parking brake switch connectors.
2. Turn ignition switch ON.
3. In "DATA MONITOR" select "PARK BRAKE SW" and check parking brake switch signal.

Condition	DATA MONITOR
Actuate parking brake	On
Release parking brake	Off

Is the inspection result normal?

YES >> Refer to [MWI-46, "Work flow"](#).

NO >> GO TO 4.

4. CHECK PARKING BRAKE SWITCH CIRCUIT

1. Turn ignition switch OFF.
2. Disconnect combination meter and parking brake switch connectors.
3. Check continuity between combination meter connector M24 terminal 10 and parking brake switch connector M130 terminal 1.

Combination meter		Parking brake switch		Continuity
Connector	Terminal	Connector	Terminal	
M24	10	M130	1	Yes

4. Check continuity between combination meter connector and ground.

A
B
C
D
E
F
G
H
I
J
K
L
M
O
P

MWI

PARKING BRAKE SWITCH SIGNAL CIRCUIT

< DTC/CIRCUIT DIAGNOSIS >

Combination meter		—	Continuity
Connector	Terminal		
M24	10	Ground	No

Is the inspection result normal?

YES >> Replace combination meter. Refer to [MWI-77, "Removal and Installation"](#).

NO >> Repair or replace malfunctioning components.

Component Inspection

INFOID:000000009020440

1. CHECK PARKING BRAKE SWITCH

1. Turn ignition switch OFF.
2. Disconnect parking brake switch connector.
3. Check continuity between parking brake switch terminal 1 and ground.

Parking brake switch terminal	—	Condition	Continuity
1	Ground	Parking brake actuated	Yes
		Parking brake released	No

Is the inspection result normal?

YES >> Inspection End.

NO >> Replace parking brake switch. Refer to [PB-7, "Exploded View"](#).

AMBIENT SENSOR SIGNAL CIRCUIT

< DTC/CIRCUIT DIAGNOSIS >

AMBIENT SENSOR SIGNAL CIRCUIT

Description

INFOID:000000008766318

It detects outside air temperature and converts it into a resistance value which is then input into the combination meter.

Diagnosis Procedure

INFOID:000000008766319

Regarding Wiring Diagram information, refer to [MWI-28, "Wiring Diagram"](#).

1.CHECK AMBIENT SENSOR SIGNAL CIRCUIT

1. Turn ignition switch OFF.
2. Disconnect combination meter connector and ambient sensor connector.
3. Check continuity between combination meter harness connector and ambient sensor harness connector.

Combination meter		Ambient sensor		Continuity
Connector	Terminal	Connector	Terminal	
M24	19	E67	1	Yes

4. Check continuity between combination meter harness connector and ground.

Combination meter		Ground	Continuity
Connector	Terminal		
M24	19		No

Is the inspection result normal?

YES >> GO TO 2.

NO >> Repair or replace harness or connector.

2.CHECK AMBIENT SENSOR SIGNAL GROUND CIRCUIT

Check continuity between combination meter harness connector and ambient sensor harness connector.

Combination meter		Ambient sensor		Continuity
Connector	Terminal	Connector	Terminal	
M24	20	E67	2	Yes

Is the inspection result normal?

YES >> Inspection End.

NO >> Repair or replace harness or connector.

Component Inspection

INFOID:000000009021262

MWI

1.CHECK AMBIENT SENSOR

1. Turn ignition switch OFF.
2. Disconnect ambient sensor connector.
3. Check resistance between ambient sensor terminals.

AMBIENT SENSOR SIGNAL CIRCUIT

< DTC/CIRCUIT DIAGNOSIS >

Terminal		Condition	Resistance: kΩ
		Temperature: °C (°F)	
1	2	-15 (5)	12.73
		-10 (14)	9.92
		-5 (23)	7.80
		0 (32)	6.19
		5 (41)	4.95
		10 (50)	3.99
		15 (59)	3.24
		20 (68)	2.65
		25 (77)	2.19
		30 (86)	1.81
		35 (95)	1.51
		40 (104)	1.27
		45 (113)	1.07

Is the inspection result normal?

YES >> Inspection End.

NO >> Replace ambient sensor. Refer to [HAC-105. "Removal and Installation"](#).

A/C AUTO AMP. CONNECTION RECOGNITION SIGNAL CIRCUIT

< DTC/CIRCUIT DIAGNOSIS >

A/C AUTO AMP. CONNECTION RECOGNITION SIGNAL CIRCUIT

Description

INFOID:000000009021461

A/C auto amp. transmits the A/C auto amp. connection recognition signal to the combination meter.

Diagnosis Procedure

INFOID:000000009021462

Regarding Wiring Diagram information, refer to [MWI-28, "Wiring Diagram"](#).

1. CHECK A/C AUTO AMP. CONNECTION RECOGNITION SIGNAL

1. Turn ignition switch ON.
2. Check voltage between combination meter harness connector and ground.

(+)		(-)	Voltage (Approx.)
Combination meter		Ground	
Connector	Terminal		
M24	32		5 V

Is the inspection result normal?

- YES >> Inspection End.
NO >> GO TO 2.

2. CHECK A/C AUTO AMP. CONNECTION RECOGNITION SIGNAL CIRCUIT

1. Turn ignition switch OFF.
2. Disconnect combination meter connector and A/C auto amp. connector.
3. Check continuity between combination meter harness connector and A/C auto amp. harness connector.

Combination meter		A/C auto amp.		Continuity
Connector	Terminal	Connector	terminal	
M24	32	M34	9	Yes

4. Check continuity between combination meter harness connector and ground.

Combination meter		Ground	Continuity
Connector	Terminal		
M34	31		No

Is the inspection result normal?

- YES >> Inspection End.
NO >> Repair or replace harness or connector.

A
B
C
D
E
F
G
H
I
J
K
L
M
O
P

MWI

WASHER LEVEL SWITCH SIGNAL CIRCUIT

< DTC/CIRCUIT DIAGNOSIS >

WASHER LEVEL SWITCH SIGNAL CIRCUIT

Description

INFOID:000000009021463

Transmits the washer level switch signal to the combination meter.

Diagnosis Procedure

INFOID:000000009021464

Regarding Wiring Diagram information, refer to [MWI-28, "Wiring Diagram"](#).

1.CHECK WASHER LEVEL SWITCH SIGNAL CIRCUIT

1. Turn ignition switch OFF.
2. Disconnect combination meter connector and washer fluid level switch connector.
3. Check continuity between combination meter harness connector and washer fluid level switch harness connector.

Terminals				Continuity
Combination meter		Washer fluid level switch		
Connector	Terminal	Connector	Terminal	
M24	17	E65	1	Yes

4. Check continuity between combination meter harness connector and ground.

Terminals			Continuity
Combination meter		Ground	
Connector	Terminal		
M24	17		No

Is the inspection result normal?

YES >> GO TO 2.

NO >> Repair or replace harness or connector.

2.CHECK WASHER FLUID LEVEL SWITCH GROUND CIRCUIT

Check continuity between washer fluid level switch connector and ground.

Terminals			Continuity
Washer level switch		Ground	
Connector	Terminal		
E52	2		Yes

Is the inspection result normal?

YES >> Inspection End.

NO >> Repair or replace harness or connector.

Component Inspection

INFOID:000000009021465

1.CHECK WASHER FLUID LEVEL SWITCH

Check continuity between washer fluid level switch terminals 1 and 2.

Terminal	Washer fluid level	Continuity
1 - 2	Low	Yes
	High	No

Is the inspection result normal?

WASHER LEVEL SWITCH SIGNAL CIRCUIT

< DTC/CIRCUIT DIAGNOSIS >

YES >> Inspection End.

NO >> Replace washer fluid level switch. Refer to [WW-53, "Removal and Installation"](#).

A

B

C

D

E

F

G

H

I

J

K

L

M

MWI

O

P

THE FUEL GAUGE INDICATOR DOES NOT OPERATE

< SYMPTOM DIAGNOSIS >

SYMPTOM DIAGNOSIS

THE FUEL GAUGE INDICATOR DOES NOT OPERATE

Description

INFOID:000000008766329

Fuel gauge will not indicate from a certain position.

Diagnosis Procedure

INFOID:000000008766330

1. CHECK FUEL LEVEL SENSOR SIGNAL CIRCUIT

Check the fuel level sensor signal circuit. Refer to [MWI-59, "Diagnosis Procedure"](#).

Is the inspection result normal?

YES >> GO TO 2.

NO >> Repair or replace harness or connector.

2. COMPONENT INSPECTION

Perform components inspection for the fuel level sensor unit and combination meter. Refer to [MWI-60, "Component Inspection"](#).

Is the inspection result normal?

YES >> GO TO 3.

NO >> Repair or replace malfunctioning parts.

3. CHECK FLOAT INTERFERENCE

Check that the float arm interferes with or binds to other components in the fuel tank.

Is the inspection result normal?

YES >> Replace fuel level sensor unit. Refer to [FL-6, "Removal and Installation"](#).

NO >> Repair or replace malfunctioning parts.

THE STEERING SWITCH (METER CONTROL SWITCH) IS INOPERATIVE

< SYMPTOM DIAGNOSIS >

THE STEERING SWITCH (METER CONTROL SWITCH) IS INOPERATIVE

Description

INFOID:000000008766331

If any of the following malfunctions is found for the steering switch (meter control switch) operation.

- All switches are inoperative
- The specified switch cannot be operated

Diagnosis Procedure

INFOID:000000008766332

1. CHECK STEERING SWITCH SIGNAL CIRCUIT

Check the steering switch signal circuit. Refer to [MWI-56, "Diagnosis Procedure"](#).

Is the inspection result normal?

YES >> GO TO 2.

NO >> Repair harness or connector.

2. CHECK STEERING SWITCH (METER CONTROL SWITCH)

Check the steering switch. Refer to [MWI-56, "Component Inspection"](#).

Is the inspection result normal?

YES >> Replace combination meter. Refer to [MWI-77, "Removal and Installation"](#).

NG >> Replace steering switch. Refer to [MWI-79, "Removal and Installation"](#).

A
B
C
D
E
F
G
H
I
J
K
L
M
O
P

MWI

THE ILLUMINATION CONTROL SWITCH IS INOPERATIVE

< SYMPTOM DIAGNOSIS >

THE ILLUMINATION CONTROL SWITCH IS INOPERATIVE

Description

INFOID:000000008766333

If any of the following malfunctions is found for the illumination control switch operation.

- All switches are inoperative
- The specified switch cannot be operated

Diagnosis Procedure

INFOID:000000008766334

1. CHECK ILLUMINATION CONTROL SWITCH SIGNAL CIRCUIT

Check the illumination control switch signal circuit. Refer to [MWI-56, "Diagnosis Procedure"](#).

Is the inspection result normal?

YES >> GO TO 2.

NO >> Repair or replace harness or connector.

2. CHECK ILLUMINATION CONTROL SWITCH

Check the illumination control switch. Refer to [MWI-56, "Component Inspection"](#).

Is the inspection result normal?

YES >> Replace combination meter. Refer to [MWI-77, "Removal and Installation"](#).

NG >> Replace illumination control switch. Refer to [MWI-80, "Removal and Installation"](#).

THE OIL PRESSURE WARNING LAMP DOES NOT TURN ON

< SYMPTOM DIAGNOSIS >

THE OIL PRESSURE WARNING LAMP DOES NOT TURN ON

Description

INFOID:000000008766335

The oil pressure warning lamp stays off when the ignition switch is turned ON.

Diagnosis Procedure

INFOID:000000008766336

1. CHECK COMBINATION METER OIL PRESSURE WARNING LIGHT

1. Select METER/M&A on CONSULT.
2. Observe OIL W/L DATA MONITOR while operating the ignition switch.

Component	Condition	CONSULT
Oil pressure warning light	Ignition ON	ON
	Ignition OFF	OFF

Is the inspection result normal?

- YES >> Inspection End.
NO >> Replace combination meter. Refer to [MWI-77. "Removal and Installation"](#).

A
B
C
D
E
F
G
H
I
J
K
L
M
O
P

MWI

THE OIL PRESSURE WARNING LAMP DOES NOT TURN OFF

< SYMPTOM DIAGNOSIS >

THE OIL PRESSURE WARNING LAMP DOES NOT TURN OFF

Description

INFOID:000000008766337

The oil pressure warning lamp remains illuminated while the engine is running (normal oil pressure).

Diagnosis Procedure

INFOID:000000008766338

1. CHECK COMBINATION METER INPUT SIGNAL

1. Start the engine and select METER/M&A on CONSULT.
2. Observe OIL W/L DATA MONITOR and the operation of the oil pressure warning lamp on the combination meter.

Component	Condition	CONSULT
Oil pressure warning light	Engine running	OFF

Is the inspection result normal?

- YES >> Perform ECM self-diagnosis. Refer to [EC-66, "CONSULT Function"](#).
- NO >> Replace combination meter. Refer to [MWI-77, "Removal and Installation"](#).

THE DOOR OPEN WARNING CONTINUES DISPLAYING, OR DOES NOT DISPLAY

< SYMPTOM DIAGNOSIS >

THE DOOR OPEN WARNING CONTINUES DISPLAYING, OR DOES NOT DISPLAY

Description

INFOID:000000009020451

- The door ajar warning is displayed even though all of the doors are closed.
- The door ajar warning is not displayed even though a door is ajar.

Diagnosis Procedure

INFOID:000000009020452

1. CHECK BCM INPUT SIGNAL

Check the BCM input signal. Refer to [DLK-96, "Component Function Check"](#) (with Intelligent Key) or [DLK-252, "Component Function Check"](#) (without Intelligent Key).

Is the inspection result normal?

- YES >> GO TO 2.
- NO >> GO TO 3.

2. CHECK COMBINATION METER INPUT SIGNAL

Select the METER/M&A Data Monitor and check the DOOR W/L monitor value while opening and closing doors.

Monitor item	Condition	Status
DOOR W/L	Door open	ON
	Door closed	OFF

Is the inspection result normal?

- YES >> Replace combination meter. Refer to [MWI-77, "Removal and Installation"](#).
- NO >> Replace BCM. Refer to [BCS-74, "Removal and Installation"](#) (with Intelligent Key) or [BCS-127, "Removal and Installation"](#) (without Intelligent Key).

3. CHECK DOOR SWITCH SIGNAL CIRCUIT

Check the door switch signal circuit. Refer to [DLK-96, "Diagnosis Procedure"](#) (with Intelligent Key) or [DLK-252, "Diagnosis Procedure"](#) (without Intelligent Key).

Is the inspection result normal?

- YES >> GO TO 4.
- NO >> Repair or replace harness or connector.

4. CHECK DOOR SWITCH

Perform a unit check for the door switch. Refer to [DLK-97, "Component Inspection"](#) (with Intelligent Key) or [DLK-254, "Component Inspection"](#) (without Intelligent Key).

Is the inspection result normal?

- YES >> Replace combination meter. Refer to [MWI-77, "Removal and Installation"](#).
- NO >> Replace applicable door switch. Refer to [DLK-192, "Removal and Installation"](#) (with Intelligent Key) or [DLK-340, "Removal and Installation"](#) (without Intelligent Key).

THE PARKING BRAKE RELEASE WARNING CONTINUES DISPLAYING, OR DOES NOT DISPLAY

< SYMPTOM DIAGNOSIS >

THE PARKING BRAKE RELEASE WARNING CONTINUES DISPLAYING, OR DOES NOT DISPLAY

Description

INFOID:000000009020442

- The parking brake warning is displayed while driving the vehicle even though the parking brake is released.
- The parking brake warning is not displayed while driving the vehicle even though the parking brake is applied.

Diagnosis Procedure

INFOID:000000009020443

1. CHECK PARKING BRAKE WARNING LAMP OPERATION

1. Start engine.
2. Check the operation of the brake warning lamp while operating the parking brake.

Condition	Warning lamp status
Parking brake applied	ON
Parking brake released	OFF

Is the inspection result normal?

- YES >> Replace combination meter. Refer to [MWI-77, "Removal and Installation"](#).
NO >> GO TO 2.

2. CHECK PARKING BRAKE SWITCH

Check the parking brake switch. Refer to [MWI-62, "Component Inspection"](#).

Is the inspection result normal?

- YES >> GO TO 3.
NO >> Replace parking brake switch.

3. CHECK PARKING BRAKE SWITCH SIGNAL CIRCUIT

1. Turn ignition switch OFF.
2. Check the parking brake switch signal circuit. Refer to [MWI-61, "Diagnosis Procedure"](#).

Is the inspection result normal?

- YES >> Replace combination meter. Refer to [MWI-77, "Removal and Installation"](#).
NO >> Repair or replace harness or connector.

THE AMBIENT TEMPERATURE DISPLAY IS INCORRECT

< SYMPTOM DIAGNOSIS >

THE AMBIENT TEMPERATURE DISPLAY IS INCORRECT

Description

INFOID:000000008766341

- The displayed outside air temperature is higher than the actual temperature.
- The displayed outside air temperature is lower than the actual temperature.
- Outside air temperature is not indicated.

Diagnosis Procedure

INFOID:000000008766342

1.CHECK AMBIENT SENSOR SIGNAL CIRCUIT

Check the ambient sensor signal circuit. Refer to [MWI-63, "Diagnosis Procedure"](#).

Is the inspection result normal?

YES >> GO TO 2.

NO >> Repair or replace harness or connector.

2.CHECK A/C AUTO AMP. CONNECTION RECOGNITION SIGNAL CIRCUIT

Check the A/C auto amp. connection recognition signal circuit. Refer to [MWI-65, "Diagnosis Procedure"](#).

Is the inspection result normal?

YES >> GO TO 3.

NO >> Repair or replace harness or connector.

3.CHECK AMBIENT SENSOR

Check the ambient sensor. Refer to [MWI-63, "Component Inspection"](#).

Is the inspection result normal?

YES >> Replace combination meter. Refer to [MWI-77, "Removal and Installation"](#).

NO >> Replace ambient sensor. Refer to [HAC-105, "Removal and Installation"](#).

A
B
C
D
E
F
G
H
I
J
K
L
M
O
P

MWI

THE LOW WASHER FLUID WARNING LAMP DOES NOT TURN ON OR OFF

< SYMPTOM DIAGNOSIS >

THE LOW WASHER FLUID WARNING LAMP DOES NOT TURN ON OR OFF

Description

INFOID:000000009021466

- The low washer fluid warning lamp is still illuminated even after washer fluid is added.
- The low washer fluid warning lamp is not illuminated even though the washer tank is empty.

Diagnosis Procedure

INFOID:000000009021467

1. CHECK WASHER FLUID LEVEL SWITCH SIGNAL CIRCUIT

Check the washer fluid level switch signal circuit. Refer to [MWI-66, "Diagnosis Procedure"](#).

Is the inspection result normal?

YES >> GO TO 2.

NO >> Repair or replace harness or connector.

2. CHECK WASHER FLUID LEVEL SWITCH

Check for the washer fluid level switch. Refer to [MWI-66, "Component Inspection"](#).

Is the inspection result normal?

YES >> Replace combination meter. Refer to [MWI-77, "Removal and Installation"](#)

NO >> Replace washer fluid level switch. Refer to [WW-53, "Removal and Installation"](#).

COMBINATION METER

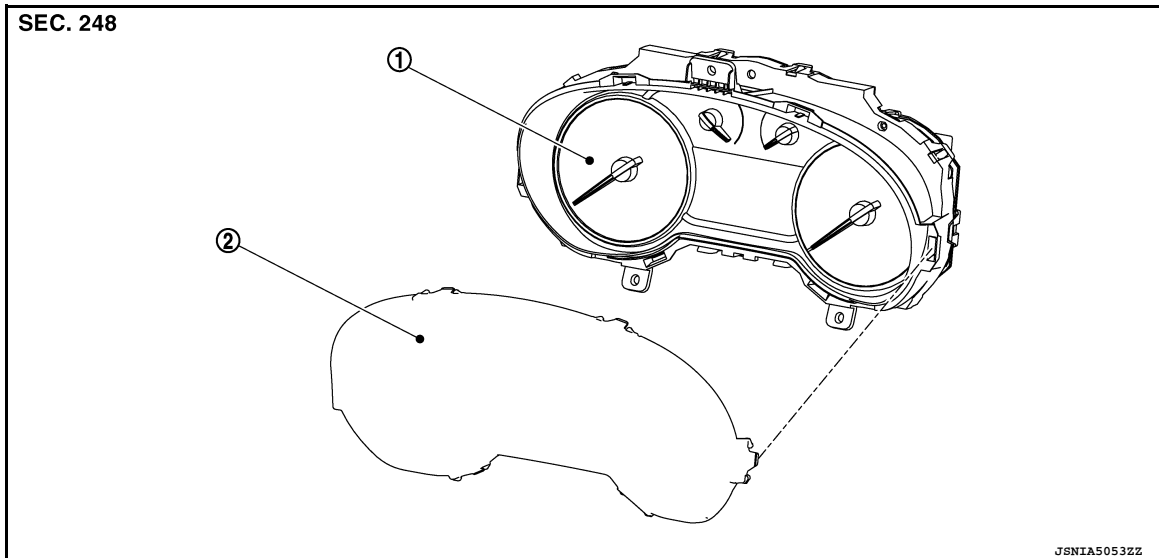
< REMOVAL AND INSTALLATION >

REMOVAL AND INSTALLATION

COMBINATION METER

Exploded View

INFOID:000000008766344



1. Combination meter

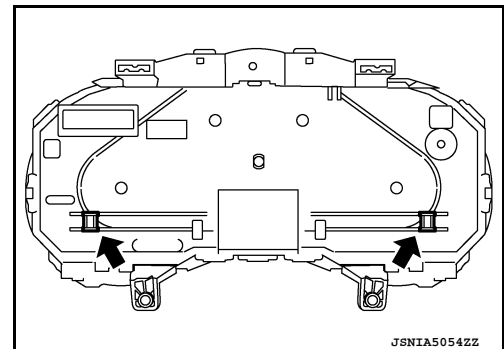
2. Front cover

Removal and Installation

INFOID:000000008766345

REMOVAL

1. Remove cluster lid A. Refer to [IP-19, "Removal and Installation"](#).
2. Remove the screws from the combination meter.
3. Remove the combination meter.



4. Disconnect the combination meter harness connector and remove.

INSTALLATION

Installation is in the reverse order of removal.

Disassembly and Assembly

INFOID:000000008766346

DISASSEMBLY

CAUTION:

- Do not touch the display, pointer, the inside of front cover and the printed area of the dial during the work.
- Keep away from magnetic sources.

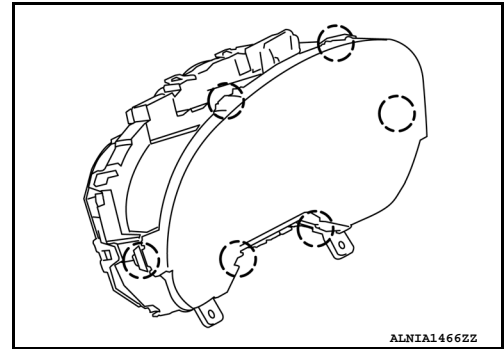
A
B
C
D
E
F
G
H
I
J
K
L
M
N
O
P

COMBINATION METER

< REMOVAL AND INSTALLATION >

1. Release the pawls and remove the front cover.

○: Pawl



ASSEMBLY

Assembly is in the reverse order of disassembly.

CAUTION:

- Do not touch the display, pointer, the inside of front cover and the printed area of the dial during the work.
- Keep away from magnetic sources.

STEERING SWITCH

< REMOVAL AND INSTALLATION >

STEERING SWITCH

Removal and Installation

INFOID:000000008833630

For removal and installation of the steering switch, refer to [AV-61, "Removal and Installation"](#).

A
B
C
D
E
F
G
H
I
J
K
L
M
O
P

MWI

ILLUMINATION CONTROL SWITCH

< REMOVAL AND INSTALLATION >

ILLUMINATION CONTROL SWITCH

Removal and Installation

INFOID:000000008766350

For removal and installation of the illumination control switch refer to [JNL-57. "Removal and Installation"](#).