

---

A

# SECTION ACC

ACC

## ACCELERATOR CONTROL SYSTEM

C

### CONTENTS

D

<b>PRECAUTION</b> ..... 2	<b>Removal and Installation</b> ..... 3	F
	<b>Inspection</b> ..... 3	
<b>PRECAUTIONS</b> ..... 2	<b>SERVICE DATA AND SPECIFICATIONS (SDS)</b> ..... 5	G
Precaution for Supplemental Restraint System (SRS) "AIR BAG" and "SEAT BELT PRE-TENSIONER" ..... 2		
<b>REMOVAL AND INSTALLATION</b> ..... 3	<b>SERVICE DATA AND SPECIFICATIONS (SDS)</b> ..... 5	H
	Accelerator Control ..... 5	
<b>ACCELERATOR CONTROL SYSTEM</b> ..... 3		I
Exploded View ..... 3		

J

K

L

M

N

O

P

# PRECAUTIONS

< PRECAUTION >

## PRECAUTION

### PRECAUTIONS

#### Precaution for Supplemental Restraint System (SRS) "AIR BAG" and "SEAT BELT PRE-TENSIONER"

INFOID:000000010287580

The Supplemental Restraint System such as "AIR BAG" and "SEAT BELT PRE-TENSIONER", used along with a front seat belt, helps to reduce the risk or severity of injury to the driver and front passenger for certain types of collision. Information necessary to service the system safely is included in the SR and SB section of this Service Manual.

**WARNING:**

- To avoid rendering the SRS inoperative, which could increase the risk of personal injury or death in the event of a collision which would result in air bag inflation, all maintenance must be performed by an authorized NISSAN/INFINITI dealer.
- Improper maintenance, including incorrect removal and installation of the SRS, can lead to personal injury caused by unintentional activation of the system. For removal of Spiral Cable and Air Bag Module, see the SR section.
- Do not use electrical test equipment on any circuit related to the SRS unless instructed to in this Service Manual. SRS wiring harnesses can be identified by yellow and/or orange harnesses or harness connectors.

#### PRECAUTIONS WHEN USING POWER TOOLS (AIR OR ELECTRIC) AND HAMMERS

**WARNING:**

- When working near the Airbag Diagnosis Sensor Unit or other Airbag System sensors with the Ignition ON or engine running, DO NOT use air or electric power tools or strike near the sensor(s) with a hammer. Heavy vibration could activate the sensor(s) and deploy the air bag(s), possibly causing serious injury.
- When using air or electric power tools or hammers, always switch the Ignition OFF, disconnect the battery and wait at least three minutes before performing any service.

# ACCELERATOR CONTROL SYSTEM

< REMOVAL AND INSTALLATION >

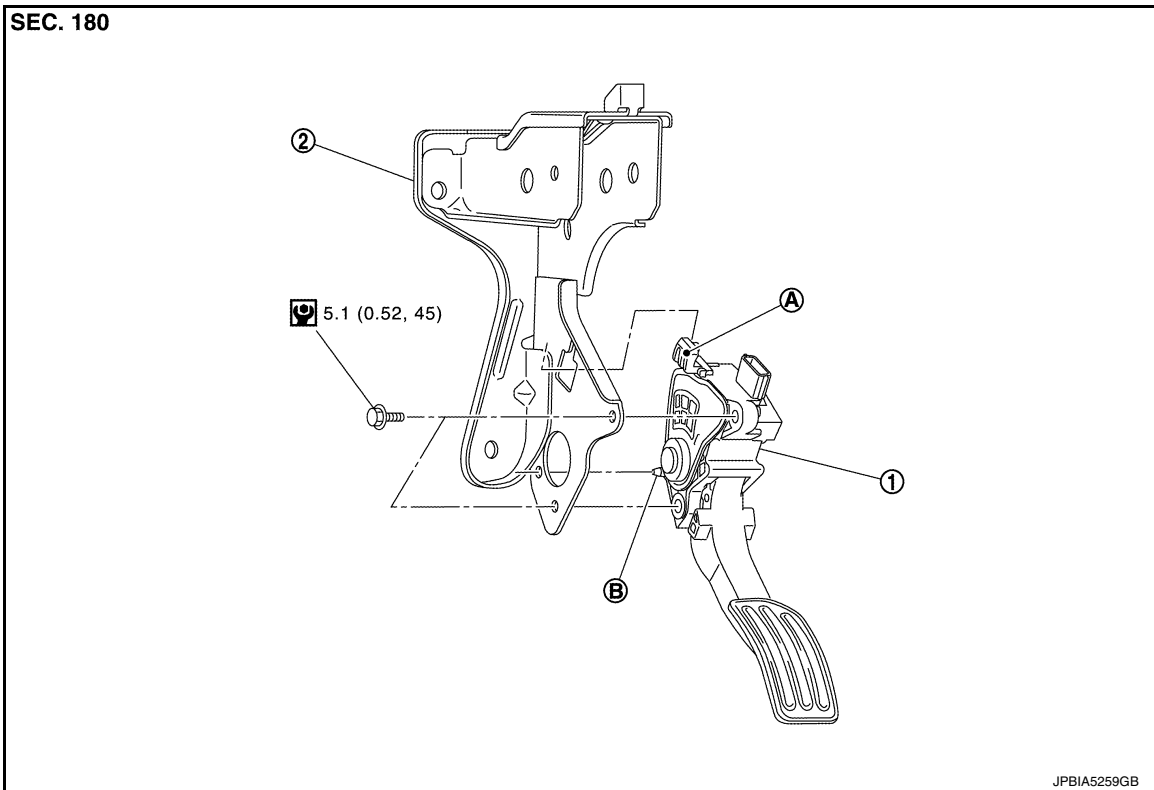
## REMOVAL AND INSTALLATION

### ACCELERATOR CONTROL SYSTEM

Exploded View

INFOID:000000009758117

ACC



1. Accelerator pedal assembly  
B. Locating pin

2. Brake pedal bracket

A. Locating hook

### Removal and Installation

INFOID:000000009758118

#### REMOVAL

1. Remove instrument lower panel LH. Refer to [IP-21, "Removal and Installation"](#).
2. Disconnect the harness connector From the accelerator pedal assembly.
3. Loosen bolts and remove accelerator pedal assembly.

#### CAUTION:

- Do not disassemble accelerator pedal assembly.
- Do not remove accelerator pedal position sensor from accelerator pedal assembly.
- Do not drop or impact the accelerator pedal assembly.
- Do not expose the accelerator pedal assembly to water.

#### INSTALLATION

Installation is in the reverse order of removal.

- Insert the locating hook and pin into the brake pedal bracket.

#### CAUTION:

**Do not squeeze the locating hook into the brake pedal bracket when inserting the locating pin into the hole on the brake pedal bracket side.**

#### Inspection

INFOID:000000009758119

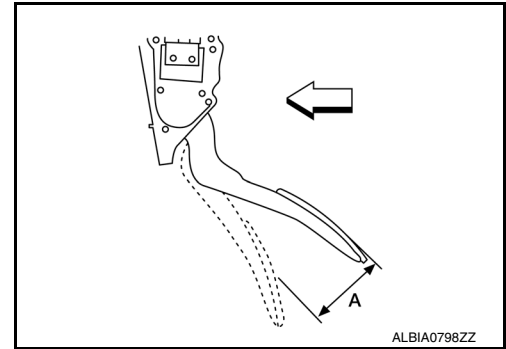
#### INSPECTION AFTER INSTALLATION

## ACCELERATOR CONTROL SYSTEM

### < REMOVAL AND INSTALLATION >

- Check that the accelerator pedal moves smoothly within the specified range.  
⇐: Front

**Accelerator pedal stroke (A)** : Refer to [ACC-5, "Accelerator Control"](#)



- For the electrical inspection of accelerator pedal position sensor. Refer to [EC-138, "Work Procedure"](#).

#### **CAUTION:**

- Whenever the harness connector of accelerator pedal position sensor is disconnected, perform "ACCELERATOR PEDAL RELEASED POSITION LEARNING". Refer to [EC-138, "Work Procedure"](#).
- The accelerator pedal should return smoothly to the fully raised position.

# SERVICE DATA AND SPECIFICATIONS (SDS)

< SERVICE DATA AND SPECIFICATIONS (SDS)

## SERVICE DATA AND SPECIFICATIONS (SDS)

SERVICE DATA AND SPECIFICATIONS (SDS)

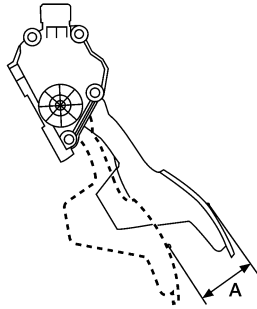
Accelerator Control

INFOID:000000009758120

A

ACC

Unit: mm (in)



ALBIA0168GB

Accelerator pedal stroke (A)

49.8 - 52.6 (1.96 - 2.07)

C

D

E

F

G

H

I

J

K

L

M

N

O

P