

SECTION **PWO**
POWER OUTLET

A
B
C
D
E
F
G
H
I
J
K
L
N
O
P

CONTENTS

PRECAUTION	2	REMOVAL AND INSTALLATION	5
PRECAUTIONS	2	POWER SOCKET	5
Precaution for Supplemental Restraint System (SRS) "AIR BAG" and "SEAT BELT PRE-TEN- SIONER"	2	Removal and Installation	5
WIRING DIAGRAM	3	SERVICE DATA AND SPECIFICATIONS (SDS)	6
POWER SOCKET	3	SERVICE DATA AND SPECIFICATIONS (SDS)	6
Wiring Diagram	3	Power Socket	6

PWO

PRECAUTIONS

< PRECAUTION >

PRECAUTION

PRECAUTIONS

Precaution for Supplemental Restraint System (SRS) "AIR BAG" and "SEAT BELT PRE-TENSIONER"

INFOID:000000011539572

The Supplemental Restraint System such as "AIR BAG" and "SEAT BELT PRE-TENSIONER", used along with a front seat belt, helps to reduce the risk or severity of injury to the driver and front passenger for certain types of collision. Information necessary to service the system safely is included in the SR and SB section of this Service Manual.

WARNING:

- To avoid rendering the SRS inoperative, which could increase the risk of personal injury or death in the event of a collision which would result in air bag inflation, all maintenance must be performed by an authorized NISSAN/INFINITI dealer.
- Improper maintenance, including incorrect removal and installation of the SRS, can lead to personal injury caused by unintentional activation of the system. For removal of Spiral Cable and Air Bag Module, see the SR section.
- Do not use electrical test equipment on any circuit related to the SRS unless instructed to in this Service Manual. SRS wiring harnesses can be identified by yellow and/or orange harnesses or harness connectors.

PRECAUTIONS WHEN USING POWER TOOLS (AIR OR ELECTRIC) AND HAMMERS

WARNING:

- When working near the Airbag Diagnosis Sensor Unit or other Airbag System sensors with the Ignition ON or engine running, DO NOT use air or electric power tools or strike near the sensor(s) with a hammer. Heavy vibration could activate the sensor(s) and deploy the air bag(s), possibly causing serious injury.
- When using air or electric power tools or hammers, always switch the Ignition OFF, disconnect the battery and wait at least three minutes before performing any service.

POWER SOCKET

< WIRING DIAGRAM >

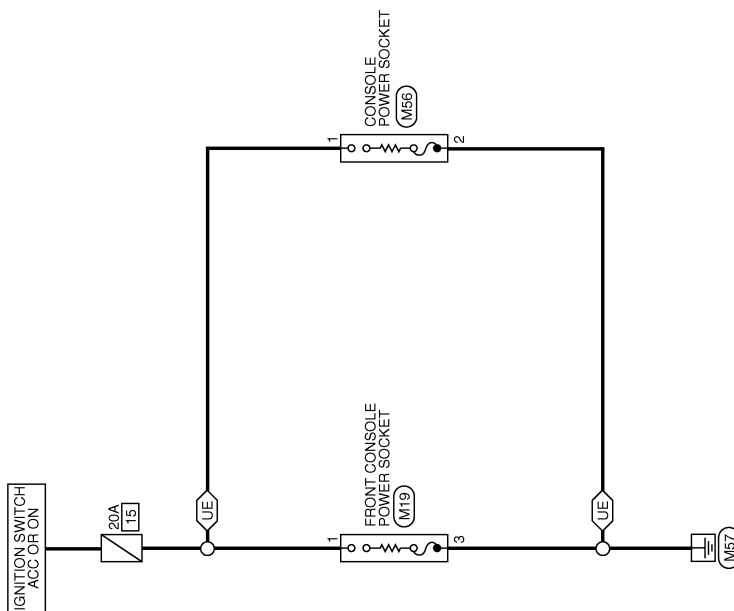
WIRING DIAGRAM

POWER SOCKET

Wiring Diagram

INFOID:0000000011539573

UE: EXCEPT FOR CANADA



POWER SOCKET

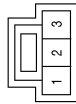
PWO

POWER SOCKET

< WIRING DIAGRAM >

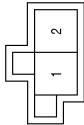
POWER SOCKET CONNECTORS

Connector No.	M19
Connector Name	FRONT CONSOLE POWER SOCKET
Connector Color	WHITE



Terminal No.	Color of Wire	Signal Name
1	R	-
3	B	-

Connector No.	M56
Connector Name	CONSOLE POWER SOCKET
Connector Color	BLACK



Terminal No.	Color of Wire	Signal Name
1	R	-
2	B	-

POWER SOCKET

< REMOVAL AND INSTALLATION >

REMOVAL AND INSTALLATION

POWER SOCKET

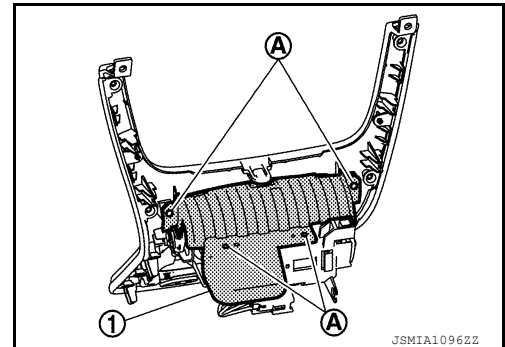
Removal and Installation

INFOID:0000000011539574

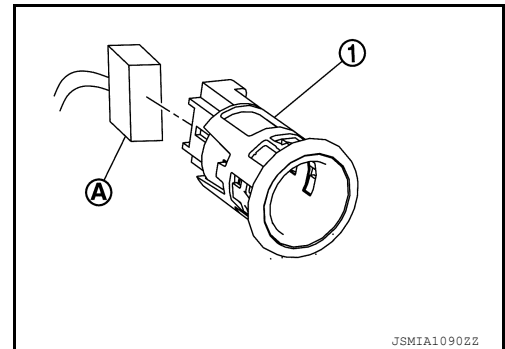
FRONT CONSOLE POWER SOCKET

Removal

1. Remove the CVT/MT shift selector finisher. Refer to [IP-14, "Exploded View"](#).
2. Remove cap from the front console power socket.
3. Remove the screws (A) and the storage bin (1).



4. Disconnect the harness connector (A) from the front console power socket (1).



5. Release the power socket pawls from the back of the console finisher assembly and remove.

Installation

Installation is in the reverse order of removal.

CONSOLE POWER SOCKET (IF EQUIPPED)

Removal

1. Remove the center console rear finisher. Refer to [IP-23, "Disassembly and Assembly"](#).
2. Release the tabs and remove the center console rear finisher cover.
3. Disconnect the harness connectors from the power socket and the USB connector (if equipped).
4. Release the power socket pawls from the back of the center console rear finisher cover and remove.

Installation

Installation is in the reverse order of removal.

A
B
C
D
E
F
G
H
I
J
K
L
N
O
P

PWO

SERVICE DATA AND SPECIFICATIONS (SDS)

< SERVICE DATA AND SPECIFICATIONS (SDS)

SERVICE DATA AND SPECIFICATIONS (SDS)

SERVICE DATA AND SPECIFICATIONS (SDS)

Power Socket

INFOID:0000000011539575

Rated voltage	DC 12 V
Maximum electric capacity	120 W or less (Total)
Maximum current	10 A or less (Total)