

A
B
C

SECTION **VTL**

VENTILATION SYSTEM

CONTENTS

PRECAUTION	CENTER VENTILATOR DUCT : Removal and Installation	F
PRECAUTIONS	SIDE VENTILATOR DUCT	G
Precaution for Supplemental Restraint System (SRS) "AIR BAG" and "SEAT BELT PRE-TENSIONER"	SIDE VENTILATOR DUCT : Removal and Installation	7
Precaution for Work	REAR FLOOR DUCT	H
PREPARATION	REAR FLOOR DUCT : Removal and Installation - Rear Floor Connecting Duct	7
PREPARATION	REAR FLOOR DUCT : Removal and Installation - Rear Floor Duct	7
Special Service Tool	REAR FLOOR DUCT : Removal and Installation - Rear Floor Duct Nozzle	8
Commercial Service Tool	Exploded View	8
PERIODIC MAINTENANCE	DEFROSTER GRILLE	J
IN-CABIN MICROFILTER	DEFROSTER GRILLE : Removal and Installation	8
Exploded View	CENTER VENTILATOR GRILLE	K
Removal and Installation	CENTER VENTILATOR GRILLE : Removal and Installation	9
SYSTEM DESCRIPTION	SIDE VENTILATOR GRILLE	L
IN-CABIN MICROFILTER	SIDE VENTILATOR GRILLE : Removal and Installation	9
Description	SIDE DEFROSTER GRILLE	M
REMOVAL AND INSTALLATION	SIDE DEFROSTER GRILLE : Removal and Installation	9
DUCTS AND GRILLES	BLOWER MOTOR	N
Exploded View	Exploded View	O
DEFROSTER NOZZLE	Removal and Installation	10
DEFROSTER NOZZLE : Removal and Installation		P
CENTER VENTILATOR DUCT		

PRECAUTIONS

< PRECAUTION >

PRECAUTION

PRECAUTIONS

Precaution for Supplemental Restraint System (SRS) "AIR BAG" and "SEAT BELT PRE-TENSIONER"

INFOID:000000012786568

The Supplemental Restraint System such as "AIR BAG" and "SEAT BELT PRE-TENSIONER", used along with a front seat belt, helps to reduce the risk or severity of injury to the driver and front passenger for certain types of collision. Information necessary to service the system safely is included in the SR and SB section of this Service Manual.

WARNING:

- To avoid rendering the SRS inoperative, which could increase the risk of personal injury or death in the event of a collision which would result in air bag inflation, it is recommended that all maintenance and repair be performed by an authorized NISSAN/INFINITI dealer.
- Improper repair, including incorrect removal and installation of the SRS, can lead to personal injury caused by unintentional activation of the system. For removal of Spiral Cable and Air Bag Module, see the SR section.
- Do not use electrical test equipment on any circuit related to the SRS unless instructed to in this Service Manual. SRS wiring harnesses can be identified by yellow and/or orange harnesses or harness connectors.

PRECAUTIONS WHEN USING POWER TOOLS (AIR OR ELECTRIC) AND HAMMERS

WARNING:

- When working near the Air Bag Diagnosis Sensor Unit or other Air Bag System sensors with the Ignition ON or engine running, DO NOT use air or electric power tools or strike near the sensor(s) with a hammer. Heavy vibration could activate the sensor(s) and deploy the air bag(s), possibly causing serious injury.
- When using air or electric power tools or hammers, always switch the Ignition OFF, disconnect the battery or batteries, and wait at least three minutes before performing any service.

Precaution for Work

INFOID:000000012786569

- When removing or disassembling each component, be careful not to damage or deform it. If a component may be subject to interference, be sure to protect it with a shop cloth.
- When removing (disengaging) components with a screwdriver or similar tool, be sure to wrap the component with a shop cloth or vinyl tape to protect it.
- Protect the removed parts with a shop cloth and prevent them from being dropped.
- Replace a deformed or damaged clip.
- If a part is specified as a non-reusable part, always replace it with a new one.
- Be sure to tighten bolts and nuts securely to the specified torque.
- After installation is complete, be sure to check that each part works properly.
- Follow the steps below to clean components:
 - Water soluble dirt:
 - Dip a soft cloth into lukewarm water, wring the water out of the cloth and wipe the dirty area.
 - Then rub with a soft, dry cloth.
 - Oily dirt:
 - Dip a soft cloth into lukewarm water with mild detergent (concentration: within 2 to 3%) and wipe the dirty area.
 - Then dip a cloth into fresh water, wring the water out of the cloth and wipe the detergent off.
 - Then rub with a soft, dry cloth.
 - Do not use organic solvent such as thinner, benzene, alcohol or gasoline.
 - For genuine leather seats, use a genuine leather seat cleaner.

PREPARATION

< PREPARATION >

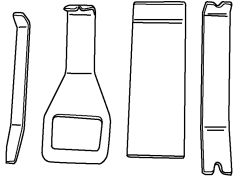
PREPARATION

PREPARATION

Special Service Tool


INFOID:000000012786570

The actual shape of the tools may differ from those illustrated here.

Tool number (TechMate No.) Tool name	Description
— (J-46534) Trim Tool Set  AWJIA0483ZZ	Removing trim components

Commercial Service Tool

INFOID:000000012786571

Tool name	Description
Power tool  PIIB1407E	Loosening nuts, screws and bolts

A
B
C
D
E
F
G
H
J
K
L
M
N
O
P

VTL

IN-CABIN MICROFILTER

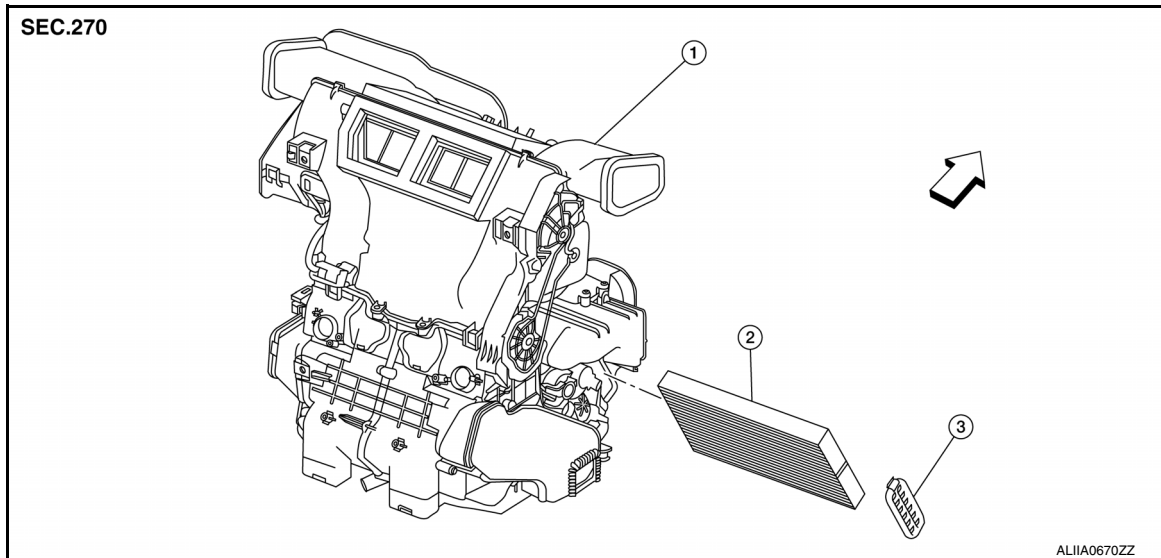
< PERIODIC MAINTENANCE >

PERIODIC MAINTENANCE

IN-CABIN MICROFILTER

Exploded View

INFOID:000000012786572



1. Heating and cooling unit assembly 2. In-cabin microfilter 3. In-cabin microfilter cover

⇐ Front

Removal and Installation

INFOID:000000012786573

REMOVAL

1. Remove the in-cabin microfilter cover.

CAUTION:

Before removing the in-cabin microfilter cover, let the vehicle rest for at least 30 minutes.

- a. Release the filter cover tab (A), then pull the bottom of the in-cabin microfilter cover outwards.
 - b. Pull down the in-cabin microfilter cover to disengage the hook at the top, then remove the in-cabin microfilter cover.
2. Remove the in-cabin microfilter.

INSTALLATION

Installation is in the reverse order of removal.

CAUTION:

After installation, check that the in-cabin microfilter cover is securely fastened to the heating and cooling unit assembly.

IN-CABIN MICROFILTER

< SYSTEM DESCRIPTION >

SYSTEM DESCRIPTION

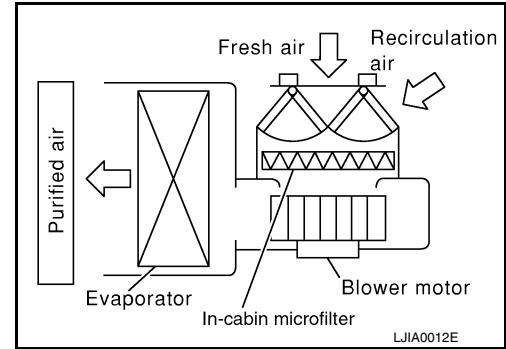
IN-CABIN MICROFILTER

Description

INFOID:0000000012786574

FUNCTION

Air inside the passenger compartment is kept clean at either recirculation or fresh mode by installing an in-cabin microfilter into the heating and cooling unit assembly.



A

B

C

D

E

F

G

H

VTL

J

K

L

M

N

O

P

DUCTS AND GRILLES

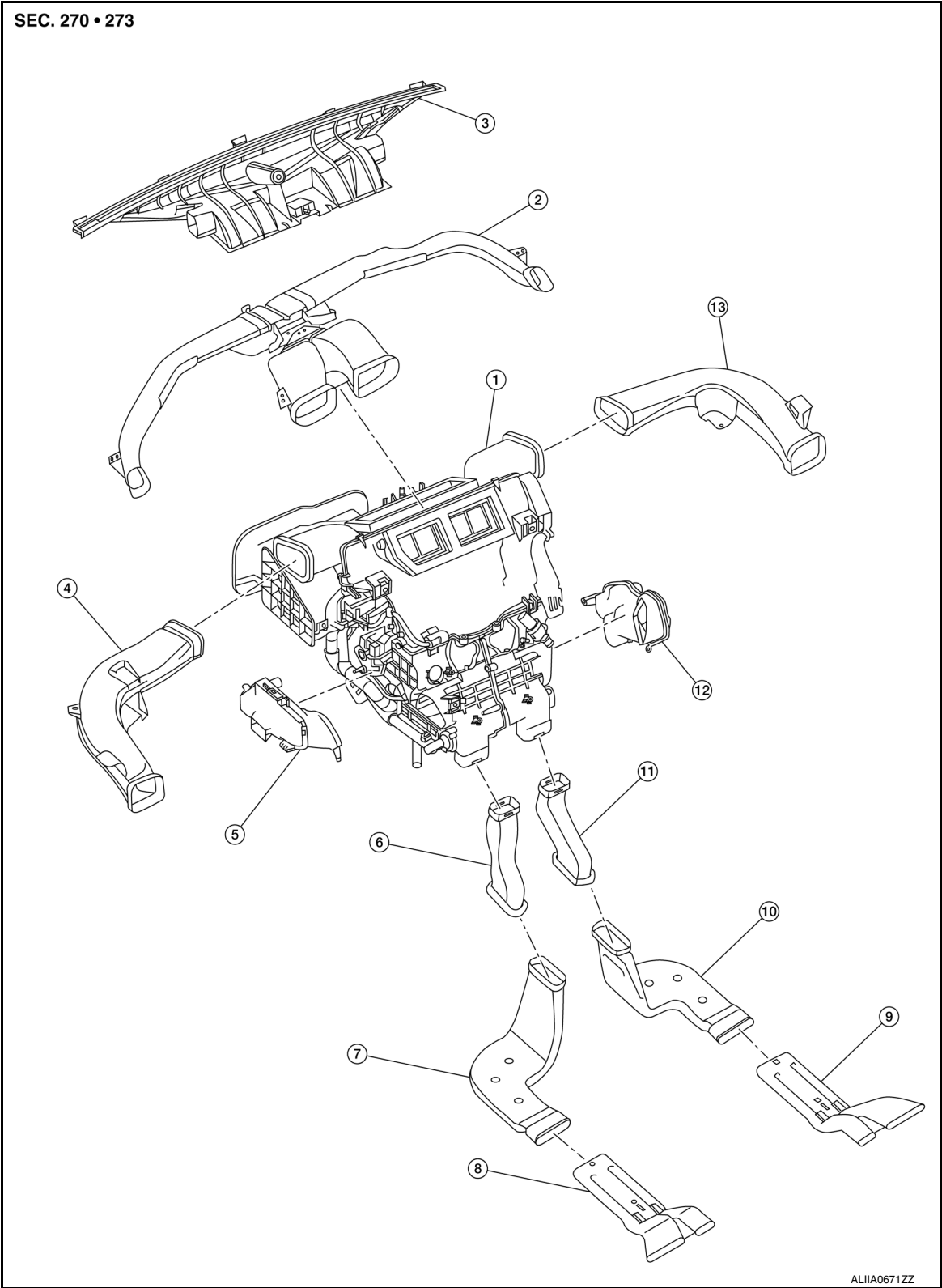
< REMOVAL AND INSTALLATION >

REMOVAL AND INSTALLATION

DUCTS AND GRILLES

Exploded View

INFOID:000000012786575



DUCTS AND GRILLES

< REMOVAL AND INSTALLATION >

- | | | | |
|--------------------------------------|-------------------------------------|------------------------------------|---|
| 1. Heating and cooling unit assembly | 2. Center ventilator duct | 3. Defroster duct | A |
| 4. Side ventilator duct (LH) | 5. Front floor duct (LH) | 6. Rear floor connecting duct (LH) | |
| 7. Rear floor duct (LH) | 8. Rear floor duct nozzle (LH) | 9. Rear floor duct nozzle (RH) | |
| 10. Rear floor duct (RH) | 11. Rear floor connecting duct (LH) | 12. Front floor duct (RH) | B |
| 13. Side ventilator duct (RH) | | | |

DEFROSTER NOZZLE

DEFROSTER NOZZLE : Removal and Installation

INFOID:000000012786576

REMOVAL

1. Remove the side defroster ducts (LH/RH). Refer to [VTL-7, "SIDE VENTILATOR DUCT : Removal and Installation"](#).
2. Remove the defroster nozzle screws.
3. Remove the defroster nozzle.

INSTALLATION

Installation is in the reverse order of removal.

CENTER VENTILATOR DUCT

CENTER VENTILATOR DUCT : Removal and Installation

INFOID:000000012786577

REMOVAL

1. Remove the instrument panel assembly. Refer to [IP-14, "Removal and Installation"](#).
2. Remove the center ventilator duct screws.
3. Remove the center ventilator duct.

INSTALLATION

Installation is in the reverse order of removal.

SIDE VENTILATOR DUCT

SIDE VENTILATOR DUCT : Removal and Installation

INFOID:000000012786578

REMOVAL

1. Remove the instrument panel assembly. Refer to [IP-14, "Removal and Installation"](#).
2. Remove the side ventilator duct screws.
3. Release the side ventilator duct from the defroster duct and remove.

INSTALLATION

Installation is in the reverse order of removal.

REAR FLOOR DUCT

REAR FLOOR DUCT : Removal and Installation - Rear Floor Connecting Duct

INFOID:000000012786579

REMOVAL

1. Remove the center console side finisher. Refer to [IP-17, "Exploded View"](#).
2. Remove the rear floor connecting duct (LH/RH).

INSTALLATION

Installation is in the reverse order of removal.

REAR FLOOR DUCT : Removal and Installation - Rear Floor Duct

INFOID:000000012786580

REMOVAL

1. Remove the front floor trim. Refer to [INT-35, "Removal and Installation"](#).

DUCTS AND GRILLES

< REMOVAL AND INSTALLATION >

2. Remove the floor insulator.
3. Release the rear floor duct nozzle from the rear floor duct and remove.

INSTALLATION

Installation is in the reverse order of removal.

REAR FLOOR DUCT : Removal and Installation - Rear Floor Duct Nozzle INFOID:0000000012786581

REMOVAL

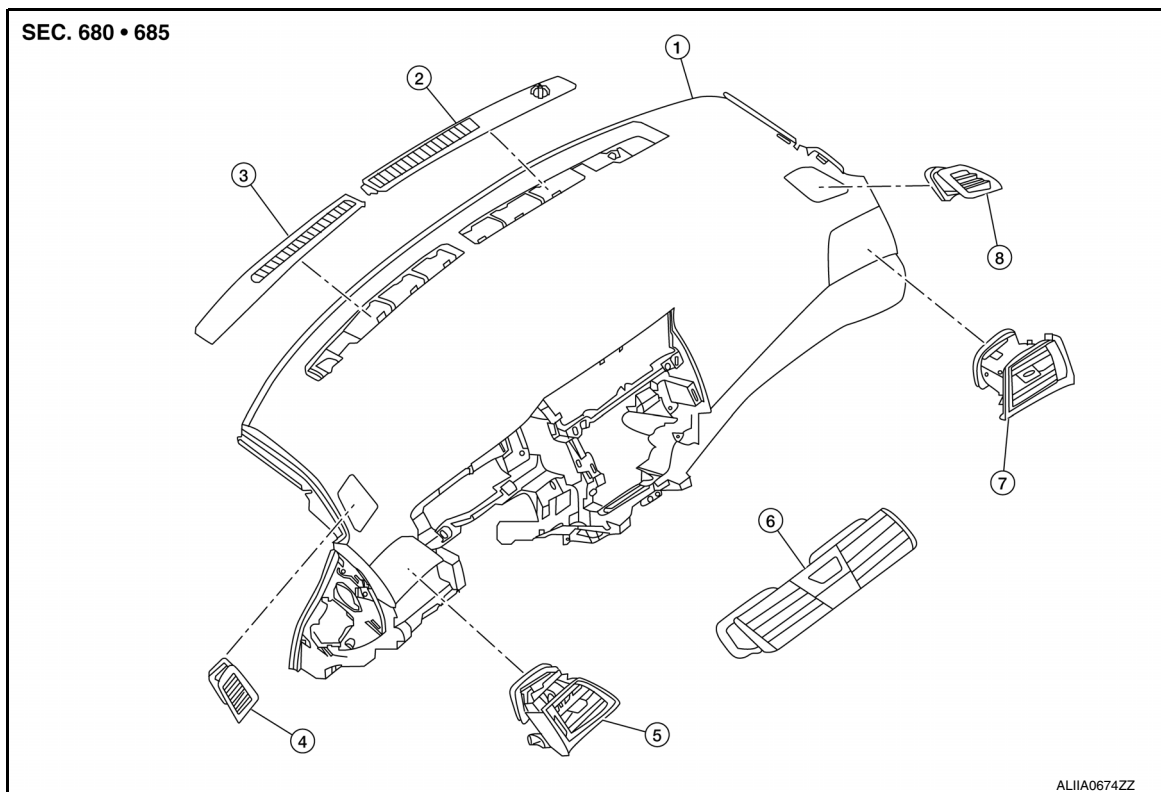
1. Remove the rear floor duct. Refer to [VTL-8, "REAR FLOOR DUCT : Removal and Installation - Rear Floor Duct Nozzle"](#).
2. Remove the rear floor duct nozzle (LH/RH).

INSTALLATION

Installation is in the reverse order of removal.

Exploded View

INFOID:0000000012786582



- | | | |
|--------------------------------|--------------------------------|-----------------------------|
| 1. Instrument panel assembly | 2. Defroster grille (RH) | 3. Defroster grille (LH) |
| 4. Side defroster grille (LH) | 5. Side ventilator grille (LH) | 6. Center ventilator grille |
| 7. Side ventilator grille (RH) | 8. Side defroster grille (RH) | |

DEFROSTER GRILLE

DEFROSTER GRILLE : Removal and Installation INFOID:0000000012786583

REMOVAL

1. Release the defroster grille pawls using a suitable tool.
2. Remove the defroster grille (LH/RH).

INSTALLATION

Installation is in the reverse order of removal.

DUCTS AND GRILLES

< REMOVAL AND INSTALLATION >

CENTER VENTILATOR GRILLE

CENTER VENTILATOR GRILLE : Removal and Installation

INFOID:000000012786584

REMOVAL

1. Remove cluster lid C. Refer to [IP-20, "Removal and Installation - Cluster Lid C"](#).
2. Release the center ventilator grille pawls using a suitable tool.
3. Remove the center ventilator grille (LH/RH).

INSTALLATION

Installation is in the reverse order of removal.

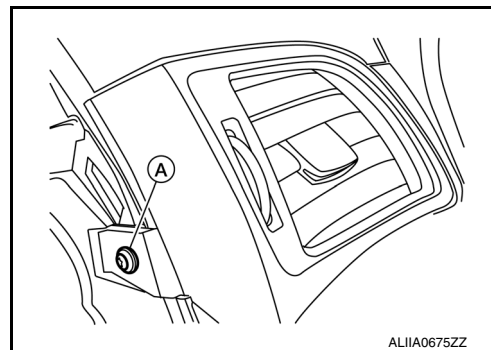
SIDE VENTILATOR GRILLE

SIDE VENTILATOR GRILLE : Removal and Installation

INFOID:000000012786585

REMOVAL

1. Remove the instrument side finisher. Refer to [IP-14, "Exploded View"](#).
2. Remove the side ventilator grille screw (A).



3. Remove the side ventilator grille (LH/RH).

INSTALLATION

Installation is in the reverse order of removal.

SIDE DEFROSTER GRILLE

SIDE DEFROSTER GRILLE : Removal and Installation

INFOID:000000012786586

REMOVAL

1. Remove the center ventilator duct. Refer to [VTL-7, "CENTER VENTILATOR DUCT : Removal and Installation"](#).
2. Release the side defroster grille pawl using a suitable tool.
3. Remove the side defroster grille (LH/RH).

INSTALLATION

Installation is in the reverse order of removal.

A
B
C
D
E
F
G
H
VTL
J
K
L
M
N
O
P

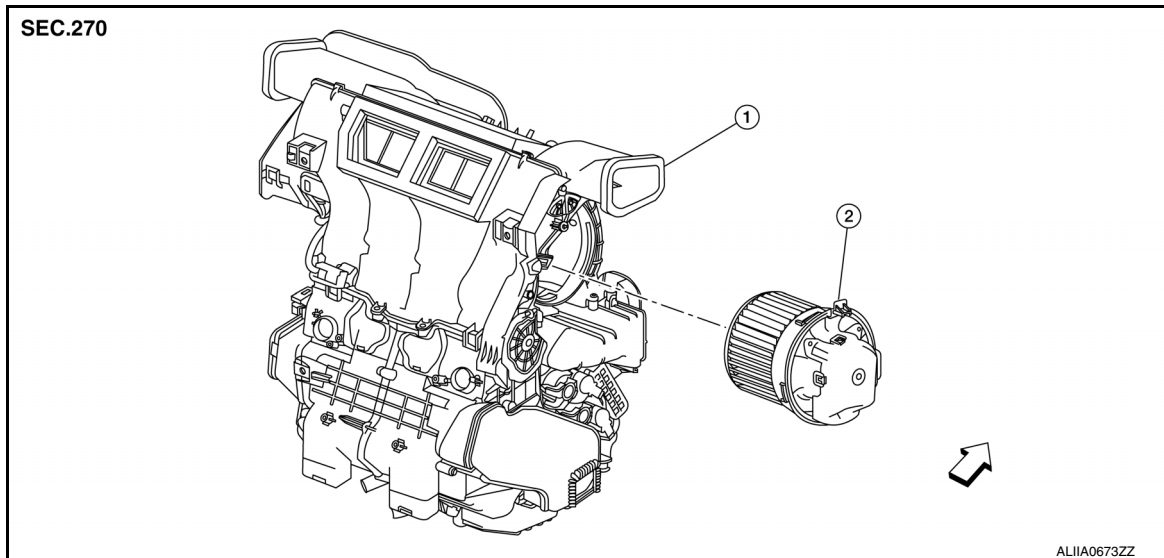
BLOWER MOTOR

< REMOVAL AND INSTALLATION >

BLOWER MOTOR

Exploded View

INFOID:000000012786587



1. Heating and cooling unit assembly 2. Blower motor

↩ Front

Removal and Installation

INFOID:000000012786588

REMOVAL

1. Remove the glove box assembly. Refer to [JP-22. "Removal and Installation"](#).
2. Disconnect the harness connector from the blower motor.
3. Remove the blower motor screws.
4. Remove the blower motor.

INSTALLATION

Installation is in the reverse order of removal.