

A
B
C

SECTION MTC

MANUAL AIR CONDITIONER

CONTENTS

<p>PRECAUTIONS 4</p> <p> Precautions for Supplemental Restraint System (SRS) "AIR BAG" and "SEAT BELT PRE-TENSIONER" 4</p> <p> Precautions for Working with HFC-134a (R-134a).... 4</p> <p> Contaminated Refrigerant 4</p> <p> General Refrigerant Precautions 5</p> <p> Precautions for Leak Detection Dye 5</p> <p> A/C Identification Label 5</p> <p> Precautions for Refrigerant Connection 6</p> <p> FEATURES OF NEW TYPE REFRIGERANT CONNECTION 6</p> <p> O-RING AND REFRIGERANT CONNECTION..... 7</p> <p> Precautions for Servicing Compressor 9</p> <p> Precautions for Service Equipment 9</p> <p> RECOVERY/RECYCLING EQUIPMENT 9</p> <p> ELECTRONIC LEAK DETECTOR 9</p> <p> VACUUM PUMP 10</p> <p> MANIFOLD GAUGE SET 10</p> <p> SERVICE HOSES 10</p> <p> SERVICE COUPLERS 11</p> <p> REFRIGERANT WEIGHT SCALE 11</p> <p> CHARGING CYLINDER 11</p> <p>PREPARATION 12</p> <p> Special Service Tools 12</p> <p> HFC-134a (R-134a) Service Tools and Equipment. 12</p> <p> Commercial Service Tools 15</p> <p>REFRIGERATION SYSTEM 16</p> <p> Refrigerant Cycle 16</p> <p> REFRIGERANT FLOW 16</p> <p> Refrigerant System Protection 16</p> <p> REFRIGERANT PRESSURE SENSOR 16</p> <p> PRESSURE RELIEF VALVE 17</p> <p> Component Layout 18</p> <p> REFRIGERATION SYSTEM 18</p> <p>OIL 20</p> <p> Maintenance of Oil Quantity in Compressor 20</p> <p> OIL 20</p> <p> CHECKING AND ADJUSTING 20</p> <p>AIR CONDITIONER CONTROL 23</p>	<p> Description 23</p> <p> Operation 23</p> <p> AIR MIX DOOR CONTROL 23</p> <p> BLOWER SPEED CONTROL 23</p> <p> INTAKE DOORS CONTROL 23</p> <p> MODE DOOR CONTROL 23</p> <p> DEFROSTER DOOR CONTROL 23</p> <p> MAGNET CLUTCH CONTROL 23</p> <p> Description of Control System 25</p> <p> Control Operation 25</p> <p> TEMPERATURE CONTROL DIAL (TEMPERATURE CONTROL) 26</p> <p> RECIRCULATION () SWITCH 26</p> <p> REAR WINDOW DEFOGGER SWITCH (CREW CAB) 26</p> <p> OFF SWITCH (BLOWER SPEED SET TO 0) 26</p> <p> A/C SWITCH 26</p> <p> MODE CONTROL DIAL 26</p> <p> FRONT BLOWER CONTROL DIAL 26</p> <p> Discharge Air Flow 26</p> <p> System Description 27</p> <p> SWITCHES AND THEIR CONTROL FUNCTION.. 27</p> <p> CAN Communication System Description 28</p> <p>TROUBLE DIAGNOSIS 29</p> <p> CONSULT-II Function (HVAC) 29</p> <p> CONSULT-II BASIC OPERATION 29</p> <p> SELF-DIAGNOSIS 30</p> <p> DATA MONITOR 30</p> <p> CONSULT-II Function (BCM) 32</p> <p> CONSULT-II BASIC OPERATION 32</p> <p> DATA MONITOR 33</p> <p> How to Perform Trouble Diagnosis for Quick and Accurate Repair 34</p> <p> WORK FLOW 34</p> <p> SYMPTOM TABLE 34</p> <p> Component Parts and Harness Connector Location.. 35</p> <p> ENGINE COMPARTMENT 35</p> <p> PASSENGER COMPARTMENT 36</p> <p> Schematic 37</p> <p> Wiring Diagram — A/C,M — 38</p>
---	---

A
B
C
D
E
F
G
H
I
MTC
K
L
M

Front Air Control Terminals and Reference Value... 44	Insufficient Heating 89
PIN CONNECTOR TERMINAL LAYOUT 44	INSPECTION FLOW 89
TERMINALS AND REFERENCE VALUE FOR	Noise 90
FRONT AIR CONTROL 44	INSPECTION FLOW 90
Operational Check 46	Water Valve Circuit 91
CHECKING BLOWER 46	COMPONENT DESCRIPTION 91
CHECKING DISCHARGE AIR 46	DIAGNOSTIC PROCEDURE FOR WATER
CHECKING RECIRCULATION (, ONLY) 46	VALVE 91
CHECKING TEMPERATURE DECREASE 46	Intake Sensor Circuit 93
CHECKING TEMPERATURE INCREASE 46	COMPONENT DESCRIPTION 93
CHECK A/C SWITCH 46	DIAGNOSTIC PROCEDURE FOR INTAKE SEN-
Power Supply and Ground Circuit for Front Air Con-	SOR 93
trol 48	COMPONENT INSPECTION 94
INSPECTION FLOW 48	CONTROL UNIT 95
COMPONENT DESCRIPTION 49	Removal and Installation 95
DIAGNOSTIC PROCEDURE FOR A/C SYSTEM.. 49	REMOVAL 95
Mode Door Motor Circuit 51	INSTALLATION 95
INSPECTION FLOW 51	INTAKE SENSOR 96
SYSTEM DESCRIPTION 51	Removal and Installation 96
COMPONENT DESCRIPTION 52	REMOVAL 96
DIAGNOSTIC PROCEDURE FOR MODE	INSTALLATION 96
DOOR MOTOR 52	BLOWER MOTOR 97
Air Mix Door Motor Circuit 56	Removal and Installation 97
INSPECTION FLOW 56	REMOVAL 97
SYSTEM DESCRIPTION 57	INSTALLATION 97
COMPONENT DESCRIPTION 57	IN-CABIN MICROFILTER 98
DIAGNOSTIC PROCEDURE FOR AIR MIX	Removal and Installation 98
DOOR MOTOR (FRONT) 57	FUNCTION 98
Intake Door Motor Circuit 61	REPLACEMENT TIMING 98
INSPECTION FLOW 61	REPLACEMENT PROCEDURE 98
SYSTEM DESCRIPTION 62	HEATER & COOLING UNIT ASSEMBLY 100
COMPONENT DESCRIPTION 62	Removal and Installation 100
DIAGNOSTIC PROCEDURE FOR INTAKE	REMOVAL 100
DOOR MOTOR 63	INSTALLATION 101
Defroster Door Motor Circuit 65	HEATER CORE 102
SYMPTOM: 65	Removal and Installation 102
INSPECTION FLOW 65	REMOVAL 103
SYSTEM DESCRIPTION 66	INSTALLATION 103
COMPONENT DESCRIPTION 66	DEFROSTER DOOR MOTOR 104
DIAGNOSTIC PROCEDURE FOR	Removal and Installation 104
DEFROSTER DOOR MOTOR 66	REMOVAL 104
Front Blower Motor Circuit 70	INSTALLATION 104
INSPECTION FLOW 70	INTAKE DOOR MOTOR 105
SYSTEM DESCRIPTION 71	Removal and Installation 105
COMPONENT DESCRIPTION 71	REMOVAL 105
DIAGNOSTIC PROCEDURE FOR BLOWER	INSTALLATION 105
MOTOR 72	MODE DOOR MOTOR 106
COMPONENT INSPECTION 76	Removal and Installation 106
Magnet Clutch Circuit 77	REMOVAL 106
INSPECTION FLOW 77	INSTALLATION 106
SYSTEM DESCRIPTION 78	AIR MIX DOOR MOTOR 107
DIAGNOSTIC PROCEDURE FOR MAGNET	Removal and Installation 107
CLUTCH 78	REMOVAL 107
Insufficient Cooling 82	INSTALLATION 107
INSPECTION FLOW 82	VARIABLE BLOWER CONTROL 108
PERFORMANCE TEST DIAGNOSES 83	Removal and Installation 108
PERFORMANCE CHART 85	REMOVAL 108
TROUBLE DIAGNOSES FOR UNUSUAL PRES-	INSTALLATION 108
SURE 86	

DUCTS AND GRILLES	109	Removal and Installation for Low-pressure Pipe .	120	
Removal and Installation	109	REMOVAL	120	A
DEFROSTER NOZZLE	110	INSTALLATION	120	
RH AND LH SIDE DEMISTER DUCT	110	Removal and Installation for Refrigerant Pressure		
RH AND LH VENTILATOR DUCT	110	Sensor	120	B
CENTER VENTILATOR DUCT	111	REMOVAL	120	
FLOOR DUCT	111	INSTALLATION	120	
GRILLES	111	Removal and Installation for Condenser	121	C
REFRIGERANT LINES	112	REMOVAL	121	
HFC-134a (R-134a) Service Procedure	112	INSTALLATION	121	
SETTING OF SERVICE TOOLS AND EQUIP-		Removal and Installation for Evaporator	122	D
MENT	112	REMOVAL	122	
Components	114	INSTALLATION	123	
Removal and Installation for Compressor	115	Removal and Installation for Expansion Valve	123	E
REMOVAL	115	REMOVAL	123	
INSTALLATION	116	INSTALLATION	123	
Removal and Installation for Compressor Clutch ..	116	Checking for Refrigerant Leaks	123	F
REMOVAL	116	PRELIMINARY CHECK	123	
INSPECTION	117	Checking System for Leaks Using the Fluorescent		
INSTALLATION	118	Dye Leak Detector	123	
BREAK-IN OPERATION	119	Dye Injection	124	
Removal and Installation for Low-pressure Flexible		Electronic Refrigerant Leak Detector	124	G
Hose	119	PRECAUTIONS FOR HANDLING LEAK		
REMOVAL	119	DETECTOR	124	
INSTALLATION	119	CHECKING PROCEDURE	125	H
Removal and Installation for High-pressure Flexible		SERVICE DATA AND SPECIFICATIONS (SDS) ...	127	
Hose	119	Service Data and Specifications (SDS)	127	
REMOVAL	119	COMPRESSOR	127	I
INSTALLATION	119	OIL	127	
Removal and Installation for High-pressure Pipe .	120	REFRIGERANT	127	
REMOVAL	120	ENGINE IDLING SPEED	127	
INSTALLATION	120	BELT TENSION	127	MTC

PRECAUTIONS

PRECAUTIONS

PF0:00001

Precautions for Supplemental Restraint System (SRS) “AIR BAG” and “SEAT BELT PRE-TENSIONER”

EJS0031M

The Supplemental Restraint System such as “AIR BAG” and “SEAT BELT PRE-TENSIONER”, used along with a front seat belt, helps to reduce the risk or severity of injury to the driver and front passenger for certain types of collision. This system includes seat belt switch inputs and dual stage front air bag modules. The SRS system uses the seat belt switches to determine the front air bag deployment, and may only deploy one front air bag, depending on the severity of a collision and whether the front occupants are belted or unbelted. Information necessary to service the system safely is included in the SRS and SB section of this Service Manual.

WARNING:

- To avoid rendering the SRS inoperative, which could increase the risk of personal injury or death in the event of a collision which would result in air bag inflation, all maintenance must be performed by an authorized NISSAN/INFINITI dealer.
- Improper maintenance, including incorrect removal and installation of the SRS, can lead to personal injury caused by unintentional activation of the system. For removal of Spiral Cable and Air Bag Module, see the SRS section.
- Do not use electrical test equipment on any circuit related to the SRS unless instructed to in this Service Manual. SRS wiring harnesses can be identified by yellow and/or orange harnesses or harness connectors.

Precautions for Working with HFC-134a (R-134a)

EJS0031N

WARNING:

- CFC-12 (R-12) refrigerant and HFC-134a (R-134a) refrigerant are not compatible. If the refrigerants are mixed compressor failure is likely to occur. Refer to [MTC-4, "Contaminated Refrigerant"](#) . To determine the purity of HFC-134a (R-134a) in the vehicle and recovery tank, use recovery/recycling equipment and refrigerant identifier.
- Use only specified oil for the HFC-134a (R-134a) A/C system and HFC-134a (R-134a) components. If oil other than that specified is used, compressor failure is likely to occur.
- The specified HFC-134a (R-134a) oil rapidly absorbs moisture from the atmosphere. The following handling precautions must be observed:
 - When removing refrigerant components from a vehicle, immediately cap (seal) the component to minimize the entry of moisture from the atmosphere.
 - When installing refrigerant components to a vehicle, do not remove the caps (unseal) until just before connecting the components. Connect all refrigerant loop components as quickly as possible to minimize the entry of moisture into system.
 - Only use the specified oil from a sealed container. Immediately reseal containers of oil. Without proper sealing, oil will become moisture saturated and should not be used.
 - Avoid breathing A/C refrigerant and oil vapor or mist. Exposure may irritate eyes, nose and throat. Remove HFC-134a (R-134a) from the A/C system using certified service equipment meeting requirements of SAE J2210 [HFC-134a (R-134a) recycling equipment], or J2209 [HFC-134a (R-134a) recovery equipment]. If accidental system discharge occurs, ventilate work area before resuming service. Additional health and safety information may be obtained from refrigerant and oil manufacturers.
 - Do not allow oil, NISSAN A/C System Oil Type S (DH-PS) or equivalent, to come in contact with styrofoam parts. Damage may result.

Contaminated Refrigerant

EJS0031O

If a refrigerant other than pure HFC-134a (R-134a) is identified in a vehicle, your options are:

- Explain to the customer that environmental regulations prohibit the release of contaminated refrigerant into the atmosphere.
- Explain that recovery of the contaminated refrigerant could damage your service equipment and refrigerant supply.
- Suggest the customer return the vehicle to the location of previous service where the contamination may have occurred.

PRECAUTIONS

- If you choose to perform the repair, recover the refrigerant using only **dedicated equipment and containers. Do not recover contaminated refrigerant into your existing service equipment.** If your facility does not have dedicated recovery equipment, you may contact a local refrigerant product retailer for available service. This refrigerant must be disposed of in accordance with all federal and local regulations. In addition, replacement of all refrigerant system components on the vehicle is recommended.
- If the vehicle is within the warranty period, the air conditioner warranty is void. Please contact NISSAN Customer Affairs for further assistance.

General Refrigerant Precautions

EJS0031P

WARNING:

- **Do not release refrigerant into the air. Use approved recovery/recycling equipment to capture the refrigerant every time an air conditioning system is discharged.**
- **Always wear eye and hand protection (goggles and gloves) when working with any refrigerant or air conditioning system.**
- **Do not store or heat refrigerant containers above 52°C (125°F).**
- **Do not heat a refrigerant container with an open flame; if container warming is required, place the bottom of the container in a warm pail of water.**
- **Do not intentionally drop, puncture, or incinerate refrigerant containers.**
- **Keep refrigerant away from open flames: poisonous gas will be produced if refrigerant burns.**
- **Refrigerant will displace oxygen, therefore be certain to work in well ventilated areas to prevent suffocation.**
- **Do not pressure test or leak test HFC-134a (R-134a) service equipment and/or vehicle air conditioning systems with compressed air during repair. Some mixtures of air and HFC-134a (R-134a) have been shown to be combustible at elevated pressures. These mixtures, if ignited, may cause injury or property damage. Additional health and safety information may be obtained from refrigerant manufacturers.**

Precautions for Leak Detection Dye

EJS0031Q

- The A/C system contains a fluorescent leak detection dye used for locating refrigerant leaks. An ultraviolet (UV) lamp is required to illuminate the dye when inspecting for leaks.
- Always wear fluorescence enhancing UV safety goggles to protect your eyes and enhance the visibility of the fluorescent dye.
- The fluorescent dye leak detector is not a replacement for an electronic refrigerant leak detector. The fluorescent dye leak detector should be used in conjunction with an electronic refrigerant leak detector (J-41995).
- For your safety and the customer's satisfaction, read and follow all manufacturer's operating instructions and precautions prior to performing work.
- A compressor shaft seal should not be repaired because of dye seepage. The compressor shaft seal should only be repaired after confirming the leak with an electronic refrigerant leak detector (J-41995).
- Always remove any dye from the leak area after repairs are complete to avoid a misdiagnosis during a future service.
- Do not allow dye to come into contact with painted body panels or interior components. If dye is spilled, clean immediately with the approved dye cleaner. Fluorescent dye left on a surface for an extended period of time **cannot be removed**.
- Do not spray the fluorescent dye cleaning agent on hot surfaces (engine exhaust manifold, etc.).
- Do not use more than one refrigerant dye bottle (1/4 ounce / 7.4 cc) per A/C system.
- Leak detection dyes for HFC-134a (R-134a) and CFC-12 (R-12) A/C systems are different. Do not use HFC-134a (R-134a) leak detection dye in CFC-12 (R-12) A/C systems or CFC-12 (R-12) leak detection dye in HFC-134a (R-134a) A/C systems or A/C system damage may result.
- The fluorescent properties of the dye will remain for over three (3) years unless a compressor failure occurs.

A/C Identification Label

EJS0031R

Vehicles with factory installed fluorescent dye have this identification label on the underside of hood.

A

B

C

D

E

F

G

H

I

MTC

K

L

M

PRECAUTIONS

EJS0031S

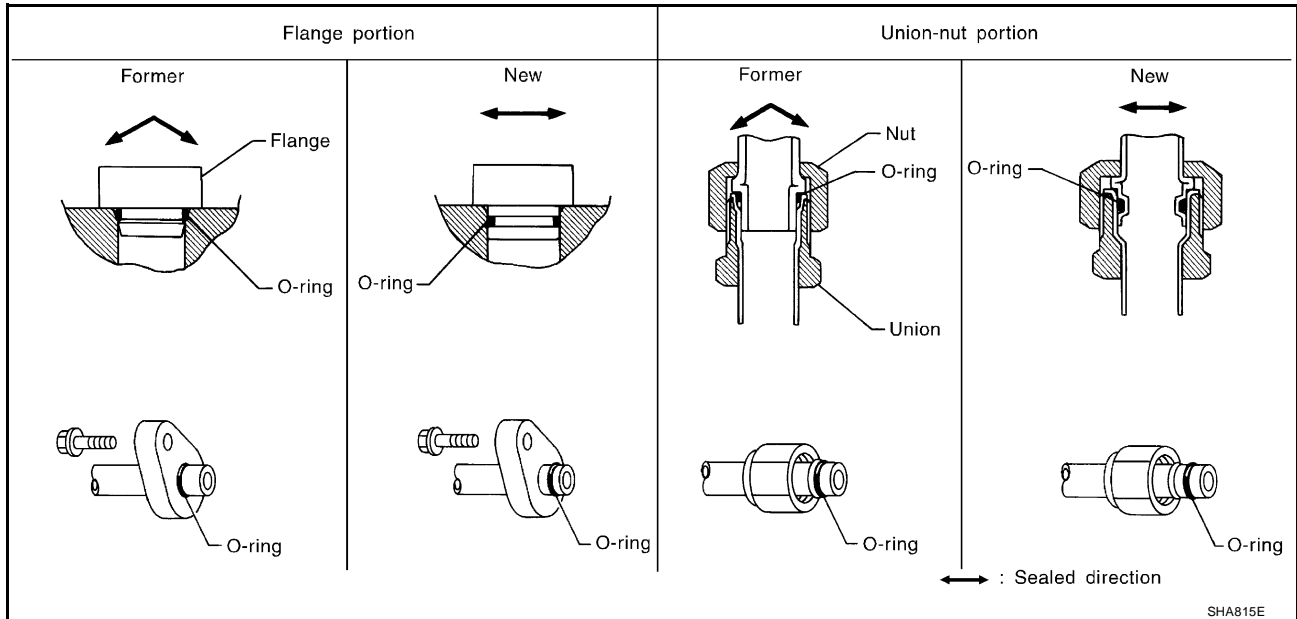
Precautions for Refrigerant Connection

A new type refrigerant connection has been introduced to all refrigerant lines except the following locations.

- Expansion valve to cooling unit
- Evaporator pipes to evaporator (inside cooling unit)
- Refrigerant pressure sensor

FEATURES OF NEW TYPE REFRIGERANT CONNECTION

- The O-ring has been relocated. It has also been provided with a groove for proper installation. This reduces the possibility of the O-ring being caught in, or damaged by, the mating part. The sealing direction of the O-ring is now set vertically in relation to the contacting surface of the mating part to improve sealing characteristics.
- The reaction force of the O-ring will not occur in the direction that causes the joint to pull out, thereby facilitating piping connections.

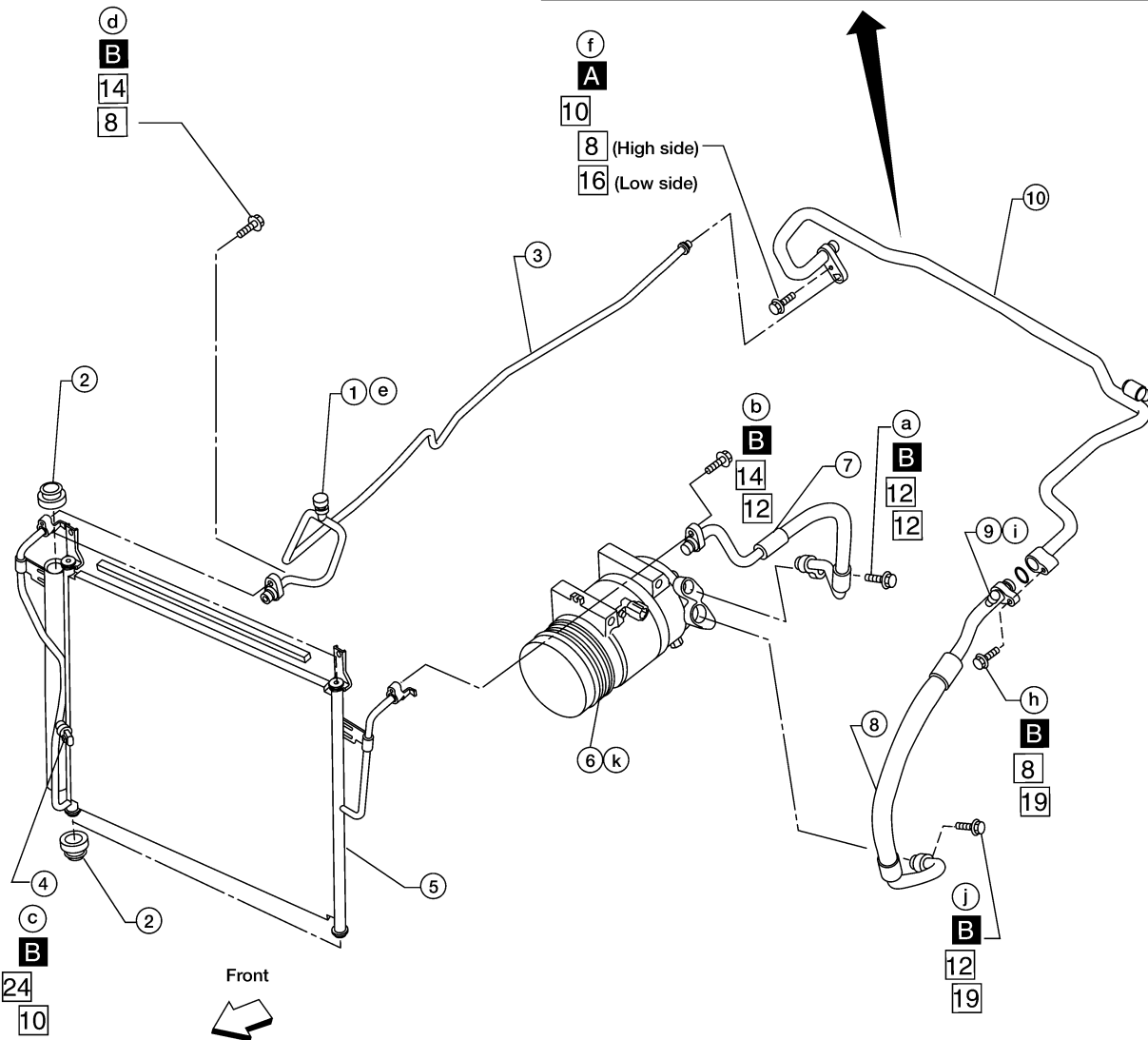
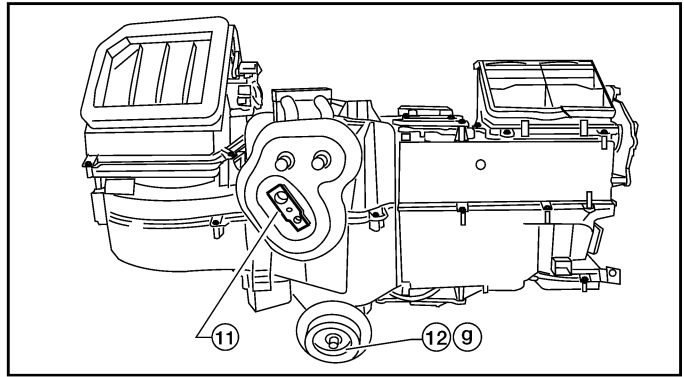


PRECAUTIONS

O-RING AND REFRIGERANT CONNECTION

A/C Compressor and Condenser

SEC. 214 • 271 • 274 • 276



- : Refrigerant leak checking order (a-k)
- : Tightening torque
- □ : Wrench size
- : O-ring size
- ⊗ : N-m (kg-m, in-lb)
- A** ⊗ : 3.4 (0.35 , 30)
- B** ⊗ : 9.3 (0.95 , 82)

A
B
C
D
E
F
G
H
I
MTC
K
L
M

WJIA1577E

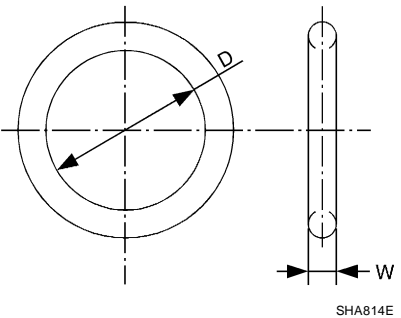
PRECAUTIONS

- | | | |
|--------------------------------|-------------------------------|-------------------------------|
| 1. High-pressure service valve | 2. Grommet | 3. High-pressure pipe |
| 4. Refrigerant pressure sensor | 5. Condenser | 6. Compressor shaft seal |
| 7. High-pressure flexible hose | 8. Low-pressure flexible hose | 9. Low-pressure service valve |
| 10. Low-pressure pipe | 11. Expansion valve | 12. Drain hose |

CAUTION:

The new and former refrigerant connections use different O-ring configurations. Do not confuse O-rings since they are not interchangeable. If a wrong O-ring is installed, refrigerant will leak at or around the connection.

O-Ring Part Numbers and Specifications

	Connec- tion type	O-ring size	Part number*	D mm (in)	W mm (in)
	New	8	92471 N8210	6.8 (0.268)	1.85 (0.0728)
	Former	10	J2476 89956	9.25 (0.3642)	1.78 (0.0701)
	New	12	92472 N8210	10.9 (0.429)	2.43 (0.0957)
	Former		92475 71L00	11.0 (0.433)	2.4 (0.094)
	New	16	92473 N8210	13.6 (0.535)	2.43 (0.0957)
	Former		92475 72L00	14.3 (0.563)	2.3 (0.091)
	New	19	92474 N8210	16.5 (0.650)	2.43 (0.0957)
	Former		92477 N8200	17.12 (0.6740)	1.78 (0.0701)
	New	24	92195 AH300	21.8 (0.858)	2.4 (0.094)

*: Always check with the Parts Department for the latest parts information.

WARNING:

Make sure all refrigerant is discharged into the recycling equipment and the pressure in the system is less than atmospheric pressure. Then gradually loosen the discharge side hose fitting and remove it.

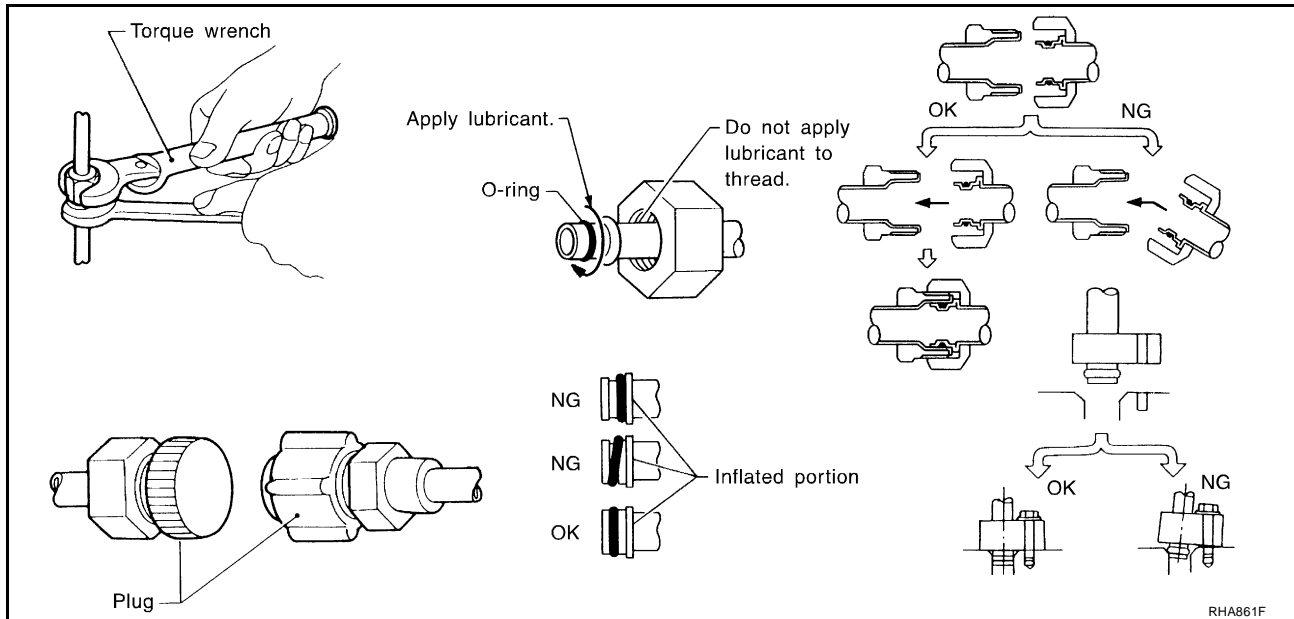
CAUTION:

When replacing or cleaning refrigerant cycle components, observe the following.

- When the compressor is removed, store it in the same position as it is when mounted on the car. Failure to do so will cause oil to enter the low pressure chamber.
- When connecting tubes, always use a torque wrench and a back-up wrench.
- After disconnecting tubes, immediately plug all openings to prevent entry of dirt and moisture.
- When installing an air conditioner in the vehicle, connect the pipes as the final stage of the operation. Do not remove the seal caps of pipes and other components until just before required for connection.
- Allow components stored in cool areas to warm to working area temperature before removing seal caps. This prevents condensation from forming inside A/C components.
- Thoroughly remove moisture from the refrigeration system before charging the refrigerant.
- Always replace used O-rings.
- When connecting tube, apply oil to circle of the O-rings shown in illustration. Be careful not to apply oil to threaded portion.
Oil name: NISSAN A/C System Oil Type S (DH-PS)
Part number: KLH00-PAGS0
- O-ring must be closely attached to dented portion of tube.
- When replacing the O-ring, be careful not to damage O-ring and tube.
- Connect tube until you hear it click, then tighten the nut or bolt by hand until snug. Make sure that the O-ring is installed to tube correctly.

PRECAUTIONS

- After connecting line, conduct leak test and make sure that there is no leakage from connections. When the gas leaking point is found, disconnect that line and replace the O-ring. Then tighten connections of seal seat to the specified torque.



Precautions for Servicing Compressor

EJS0031T

- Plug all openings to prevent moisture and foreign matter from entering.
- When the compressor is removed, store it in the same position as it is when mounted on the car.
- When replacing or repairing compressor, follow "Maintenance of Oil Quantity in Compressor" exactly. Refer to [MTC-20, "Maintenance of Oil Quantity in Compressor"](#).
- Keep friction surfaces between clutch and pulley clean. If the surface is contaminated with oil, wipe it off by using a clean waste cloth moistened with thinner.
- After compressor service operation, turn the compressor shaft by hand more than 5 turns in both directions. This will equally distribute oil inside the compressor. After the compressor is installed, let the engine idle and operate the compressor for 1 hour.
- After replacing the compressor magnet clutch, apply voltage to the new one and check for normal operation. Refer to [MTC-116, "Removal and Installation for Compressor Clutch"](#).

Precautions for Service Equipment RECOVERY/RECYCLING EQUIPMENT

EJS0031U

Follow the manufacturer's instructions for machine operation and machine maintenance. Never introduce any refrigerant other than that specified into the machine.

ELECTRONIC LEAK DETECTOR

Follow the manufacturer's instructions for tester operation and tester maintenance.

PRECAUTIONS

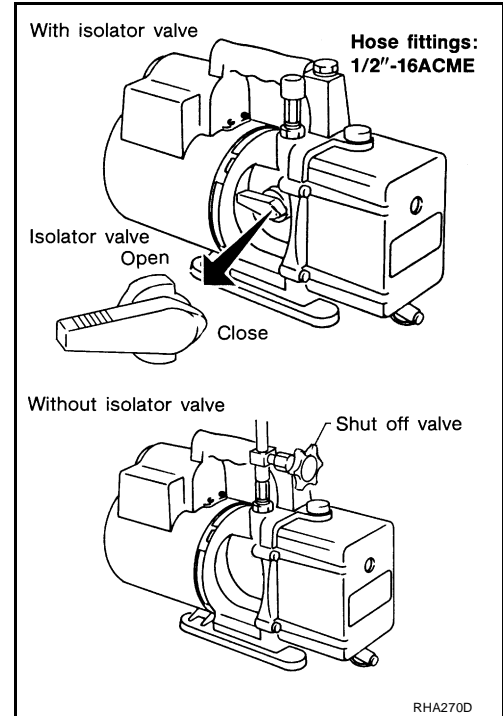
VACUUM PUMP

The oil contained inside the vacuum pump is not compatible with the specified oil for HFC-134a (R-134a) A/C systems. The vent side of the vacuum pump is exposed to atmospheric pressure so the vacuum pump oil may migrate out of the pump into the service hose. This is possible when the pump is switched off after evacuation (vacuuming) and hose is connected to it.

To prevent this migration, use a manual valve situated near the hose-to-pump connection, as follows.

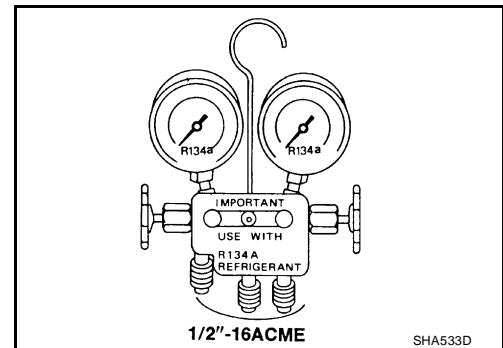
- Usually vacuum pumps have a manual isolator valve as part of the pump. Close this valve to isolate the service hose from the pump.
- For pumps without an isolator, use a hose equipped with a manual shut-off valve near the pump end. Close the valve to isolate the hose from the pump.
- If the hose has an automatic shut off valve, disconnect the hose from the pump: as long as the hose is connected, the valve is open and lubricating oil may migrate.

Some one-way valves open when vacuum is applied and close under a no vacuum condition. Such valves may restrict the pump's ability to pull a deep vacuum and are not recommended.



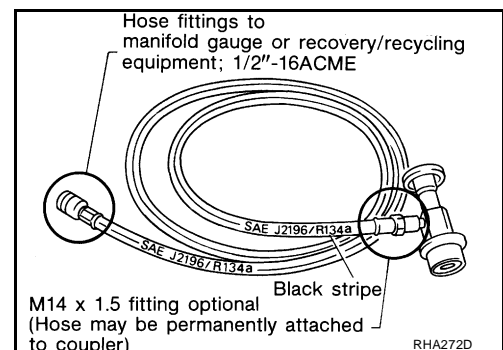
MANIFOLD GAUGE SET

Be certain that the gauge face indicates HFC-134a (R-134a or 134a). Make sure the gauge set has 1/2"-16 ACME threaded connections for service hoses. Confirm the set has been used only with refrigerant HFC-134a (R-134a) along with specified oil.



SERVICE HOSES

Be certain that the service hoses display the markings described (colored hose with black stripe). All hoses must include positive shut-off devices (either manual or automatic) near the end of the hoses opposite the manifold gauge.

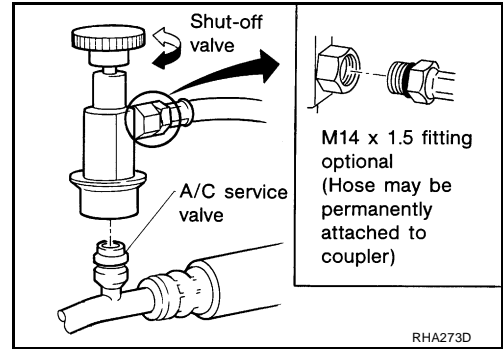


PRECAUTIONS

SERVICE COUPLERS

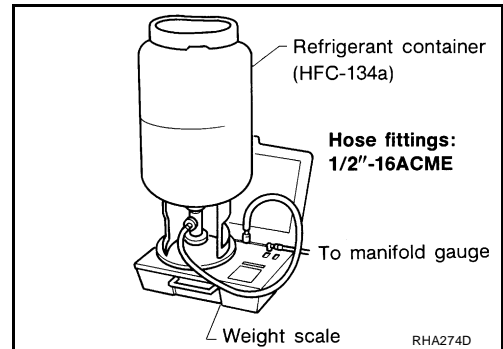
Never attempt to connect HFC-134a (R-134a) service couplers to a CFC-12 (R-12) A/C system. The HFC-134a (R-134a) couplers will not properly connect to the CFC-12 (R-12) system. If an improper connection is attempted, discharging and contamination may occur.

Shut-off valve rotation	A/C service valve
Clockwise	Open
Counterclockwise	Close



REFRIGERANT WEIGHT SCALE

Verify that no refrigerant other than HFC134a (R-134a) and specified oils have been used with the scale. If the scale controls refrigerant flow electronically, the hose fitting must be 1/2"-16 ACME.



CHARGING CYLINDER

Using a charging cylinder is not recommended. Refrigerant may be vented into air from cylinder's top valve when filling the cylinder with refrigerant. Also, the accuracy of the cylinder is generally less than that of an electronic scale or of quality recycle/recharge equipment.

A
B
C
D
E
F
G
H
I
K
L
M

MTC

PREPARATION

PREPARATION

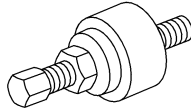
PF0:00002

Special Service Tools

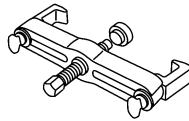
EJS003RG

The actual shapes of Kent-Moore tools may differ from those of special service tools illustrated here.

Tool number (Kent-Moore No.) Tool name	Description
— (J-38873-A) Pulley installer	Installing pulley
KV99233130 (J-29884) Pulley puller	Removing pulley



LHA171



LHA172

HFC-134a (R-134a) Service Tools and Equipment

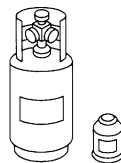
EJS003RH

Never mix HFC-134a (R-134a) refrigerant and/or the specified oil with CFC-12 (R-12) refrigerant and/or the oil.

Separate and non-interchangeable service equipment must be used for handling each type of refrigerant/oil. Refrigerant container fittings, service hose fittings and service equipment fittings (equipment which handles refrigerant and/or oil) are different between CFC-12 (R-12) and HFC-134a (R-134a). This is to avoid mixed use of the refrigerants/oil.

Adapters that convert one size fitting to another must never be used refrigerant/oil contamination will occur and compressor failure will result.

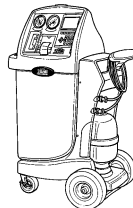
Tool number (Kent-Moore No.) Tool name	Description
HFC-134a (R-134a) (—) Refrigerant	Container color: Light blue Container marking: HFC-134a (R-134a) Fitting size: Thread size ● large container 1/2"-16 ACME
KLH00-PAGR0 (—) NISSAN A/C System Oil Type S (DH-PS)	Type: Poly alkylene glycol oil (PAG), type S (DH-PS) Application: HFC-134a (R-134a) swash plate compressors (NISSAN only) Lubricity: 40 m ℓ (1.4 US fl oz, 1.4 Imp fl oz)
KV991J0130 (ACR2005-NI) ACR5 A/C Service Center	Refrigerant recovery and recycling and recharging



S-NT196



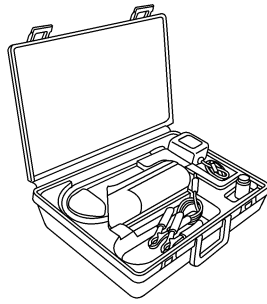
S-NT197



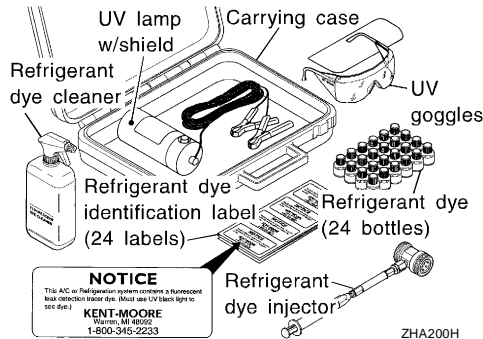
WJIA0293E

PREPARATION

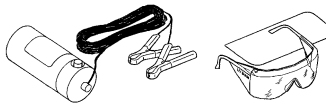
Tool number (Kent-Moore No.) Tool name	Description
<p>— (J-41995) Electronic refrigerant leak detector</p>	<p>Power supply: ● DC 12V (battery terminal)</p> <div style="text-align: right;">A B C D</div>
<p>— (J-43926) Refrigerant dye leak detection kit Kit includes: (J-42220) UV lamp and UV safety goggles (J-41459) Refrigerant dye injector (J-41447) qty. 24 HFC-134a (R-134a) refrigerant dye (J-43872) Refrigerant dye cleaner</p>	<p>Power supply: ● DC 12V (battery terminal)</p> <div style="text-align: right;">E F G H</div>
<p>— (J-42220) Fluorescent dye leak detector</p>	<p>Power supply: ● DC 12V (battery terminal)</p> <p>For checking refrigerant leak when fluorescent dye is installed in A/C system. Includes: UV lamp and UV safety goggles</p> <div style="text-align: right;">I MTC</div>
<p>— (J-41447) HFC-134a (R-134a) Fluorescent leak detection dye (Box of 24, 1/4 ounce bottles)</p>	<p>Application: For HFC-134a (R-134a) PAG oil Container: 1/4 ounce (7.4cc) bottle (Includes self-adhesive dye identification labels for affixing to vehicle after charging system with dye.)</p> <div style="text-align: right;">K L</div>
<p>— (J-41459) HFC-134a (R-134a) Dye injector Use with J-41447, 1/4 ounce bottle</p>	<p>For injecting 1/4 ounce of fluorescent leak detection dye into A/C system.</p> <div style="text-align: right;">M</div>
<p>— (J-43872) Refrigerant dye cleaner</p>	<p>For cleaning dye spills.</p>



AHA281A



ZHA200H

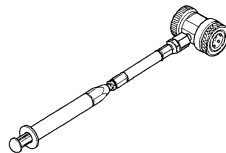


SHA438F



Refrigerant dye
(24 bottles)

SHA439F

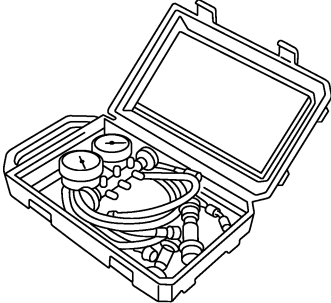
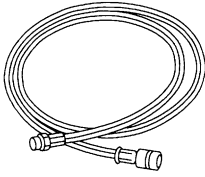
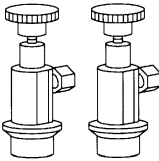

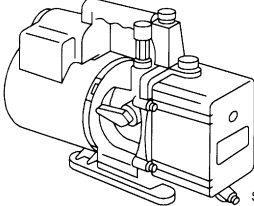


SHA440F



SHA441F

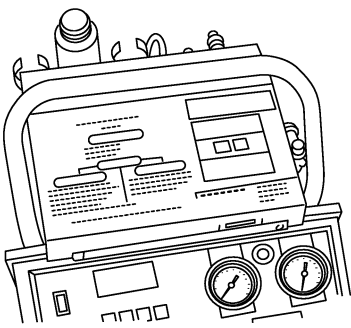
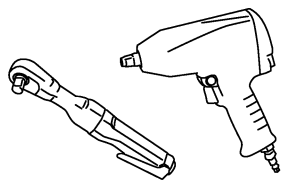
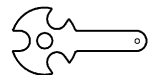
PREPARATION

Tool number (Kent-Moore No.) Tool name	Description
<p>— (J-39183-C) Manifold gauge set (with hoses and couplers)</p>  <p style="text-align: right; font-size: small;">RJIA0196E</p>	<p>Identification:</p> <ul style="list-style-type: none"> ● The gauge face indicates R-134a. Fitting size-Thread size ● 1/2"-16 ACME
<p>Service hoses:</p> <ul style="list-style-type: none"> ● High side hose (J-39500-72B) ● Low side hose (J-39500-72R) ● Utility hose (J-39500-72Y)  <p style="text-align: right; font-size: small;">S-NT201</p>	<p>Hose color:</p> <ul style="list-style-type: none"> ● Low side hose: Blue with black stripe ● High side hose: Red with black stripe ● Utility hose: Yellow with black stripe or green with black stripe <p>Hose fitting to gauge:</p> <ul style="list-style-type: none"> ● 1/2"-16 ACME
<p>Service couplers</p> <ul style="list-style-type: none"> ● High side coupler (J-39500-20A) ● Low side coupler (J-39500-24A)  <p style="text-align: right; font-size: small;">S-NT202</p>	<p>Hose fitting to service hose:</p> <ul style="list-style-type: none"> ● M14 x 1.5 fitting is optional or permanently attached.
<p>— (J-39699) Refrigerant weight scale</p>  <p style="text-align: right; font-size: small;">S-NT200</p>	<p>For measuring of refrigerant Fitting size-Thread size</p> <ul style="list-style-type: none"> ● 1/2"-16 ACME
<p>— (J-39649) Vacuum pump (Including the isolator valve)</p>  <p style="text-align: right; font-size: small;">S-NT203</p>	<p>Capacity:</p> <ul style="list-style-type: none"> ● Air displacement: 4 CFM ● Micron rating: 20 microns ● Oil capacity: 482 g (17 oz) <p>Fitting size-Thread size</p> <ul style="list-style-type: none"> ● 1/2"-16 ACME

PREPARATION

Commercial Service Tools

EJS003RI

Tool name	Description
<p>(J-41810-NI) Refrigerant identifier equipment (R-134a)</p>  <p style="text-align: right; font-size: small;">RJIA0197E</p>	<p>For checking refrigerant purity and system contamination</p>
<p>Power tool</p>  <p style="text-align: right; font-size: small;">PBIC0190E</p>	<p>Loosening bolts and nuts</p>
<p>(J-44614) Clutch disc holding tool</p>  <p style="text-align: right; font-size: small;">WHA230</p>	<p>Clutch disc holding tool</p>

A
B
C
D
E
F
G
H
I

MTC

K
L
M

REFRIGERATION SYSTEM

REFRIGERATION SYSTEM

PPF:KA990

Refrigerant Cycle REFRIGERANT FLOW

EJS0031Z

The refrigerant flows in the standard pattern, that is, through the compressor, the condenser with liquid tank, through the evaporator, and back to the compressor. The refrigerant evaporation through the evaporator coils is controlled by externally equalized expansion valve, located inside the evaporator case.

Refrigerant System Protection REFRIGERANT PRESSURE SENSOR

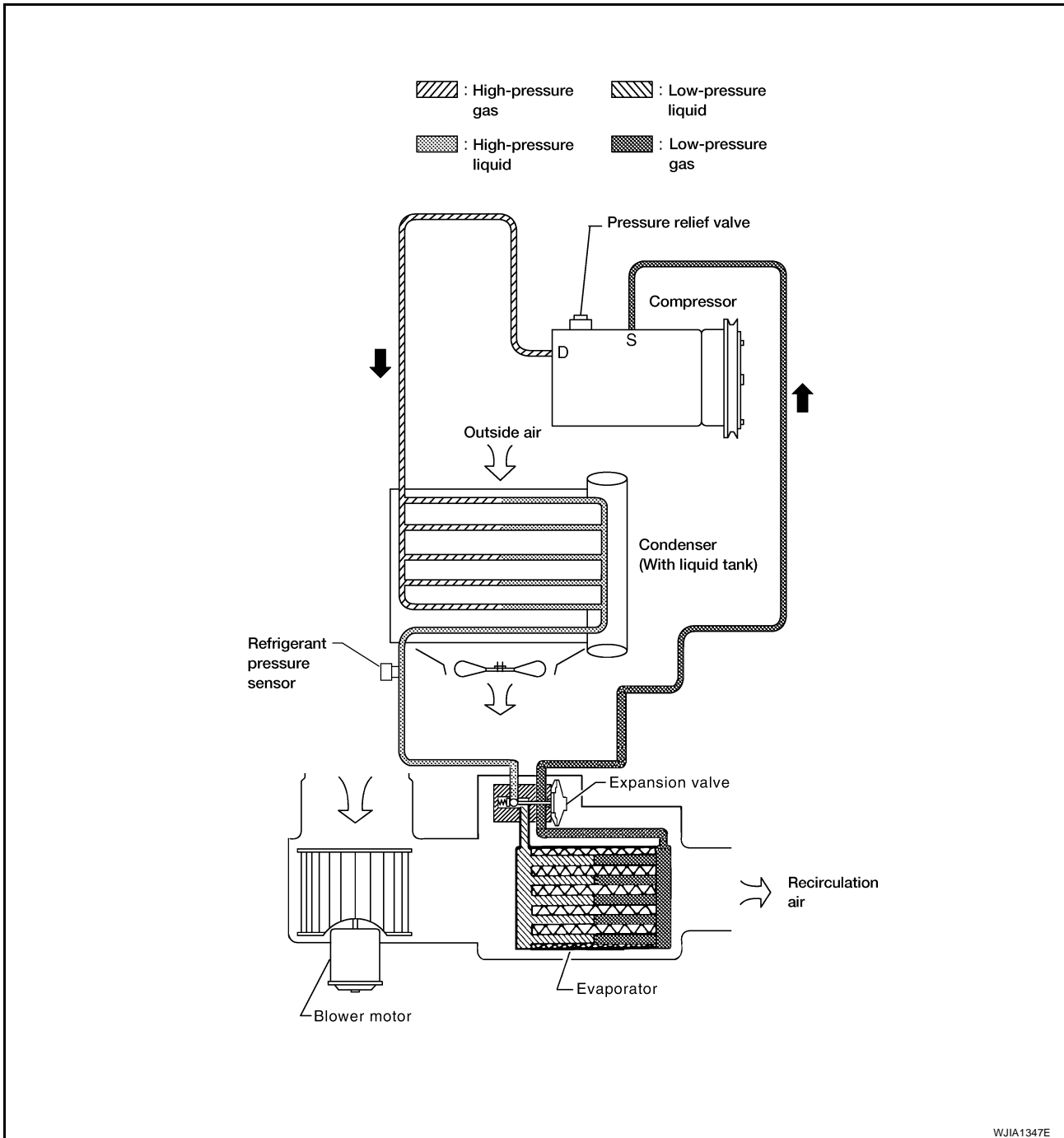
EJS00320

The refrigerant system is protected against excessively high or low pressures by the refrigerant pressure sensor, located on the condenser. If the system pressure rises above or falls below the specifications, the refrigerant pressure sensor detects the pressure inside the refrigerant line and sends a voltage signal to the ECM. The ECM de-energizes the A/C relay to disengage the magnetic compressor clutch when pressure on the high pressure side detected by refrigerant pressure sensor is over about 2,746 kPa (28 kg/cm², 398 psi), or below about 120 kPa (1.22 kg/cm², 17.4 psi).

REFRIGERATION SYSTEM

PRESSURE RELIEF VALVE

The refrigerant system is also protected by a pressure relief valve, located in the rear head of the compressor. When the pressure of refrigerant in the system increases to an abnormal level [more than 2,990 kPa (30.5 kg/cm² , 433.6 psi)], the release port on the pressure relief valve automatically opens and releases refrigerant into the atmosphere.



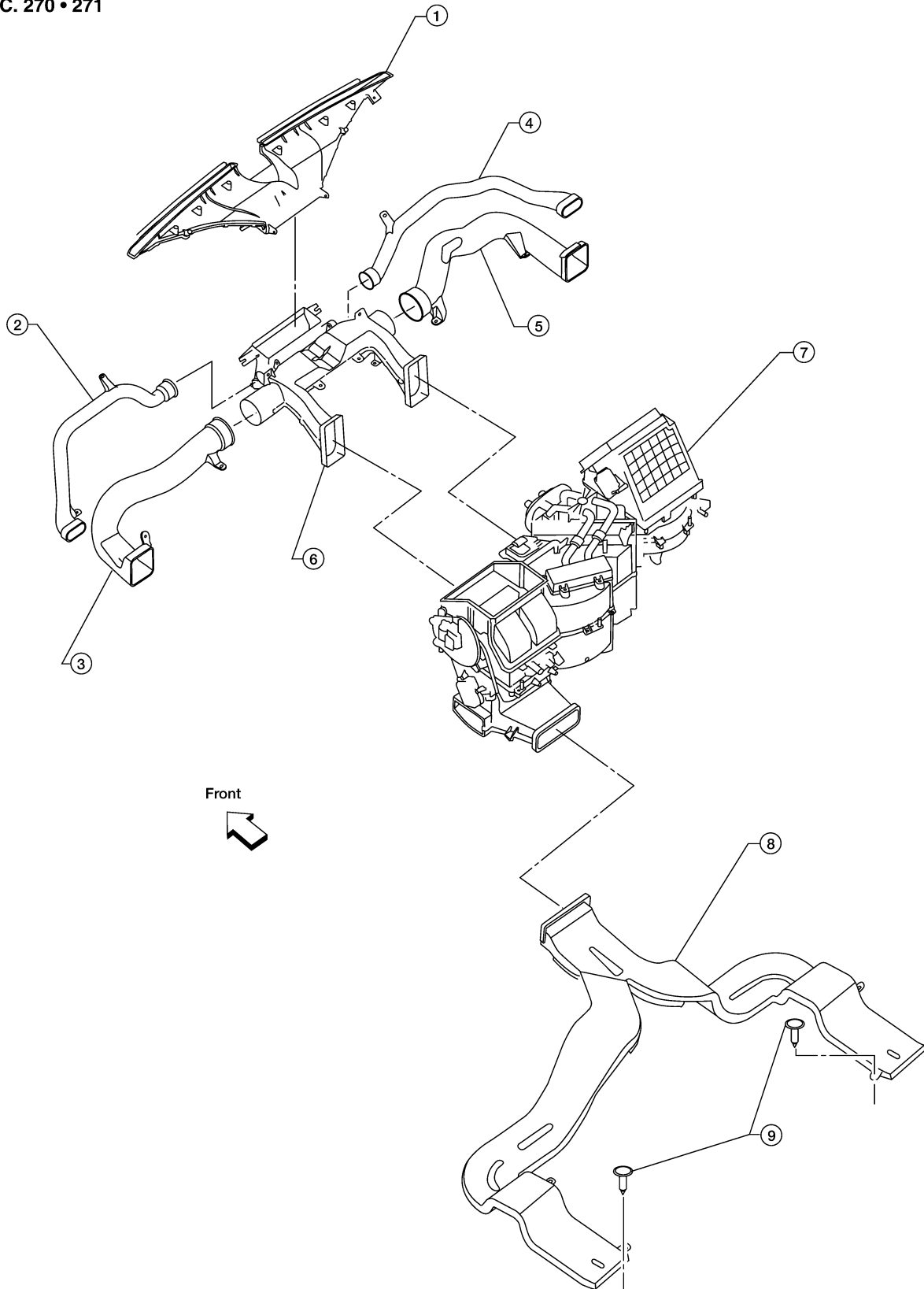
A
B
C
D
E
F
G
H
I
MTC
K
L
M

REFRIGERATION SYSTEM

EJS00321

Component Layout REFRIGERATION SYSTEM

SEC. 270 • 271



LJJA0141E

REFRIGERATION SYSTEM

- | | | |
|-------------------------------------|--------------------------|---------------------------|
| 1. Defroster nozzle | 2. LH side demister duct | 3. LH ventilator duct |
| 4. RH side demister duct | 5. RH ventilator duct | 6. Center ventilator duct |
| 7. Heater and cooling unit assembly | 8. Floor duct | 9. Clips |

A

B

C

D

E

F

G

H

I

MTC

K

L

M

OIL

PPF:KLG00

OIL

Maintenance of Oil Quantity in Compressor

EJS004W9

The oil in the compressor circulates through the system with the refrigerant. Add oil to compressor when replacing any component or after a large refrigerant leakage has occurred. It is important to maintain the specified amount.

If oil quantity is not maintained properly, the following malfunctions may result:

- Lack of oil: May lead to a seized compressor
- Excessive oil: Inadequate cooling (thermal exchange interference)

OIL

Name: NISSAN A/C System Oil Type S (DH-PS) or equivalent

Part number: KLH00-PAGS0


CHECKING AND ADJUSTING

CAUTION:

If excessive oil leakage is noted, do not perform the oil return operation.

Start the engine and set the following conditions:

Test Condition

- **Engine speed: Idling to 1,200 rpm**
- **A/C switch: On**
- **Blower fan speed: MAX position**
- **Temp. control: Optional [Set so that intake air temperature is 25° to 30° C (77° to 86°F)]**
- **Intake position: Recirculation ()**
- **Perform oil return operation for about ten minutes**

Adjust the oil quantity according to the following table.

Oil Adjusting Procedure for Components Replacement Except Compressor

After replacing any of the following major components, add the correct amount of oil to the system.

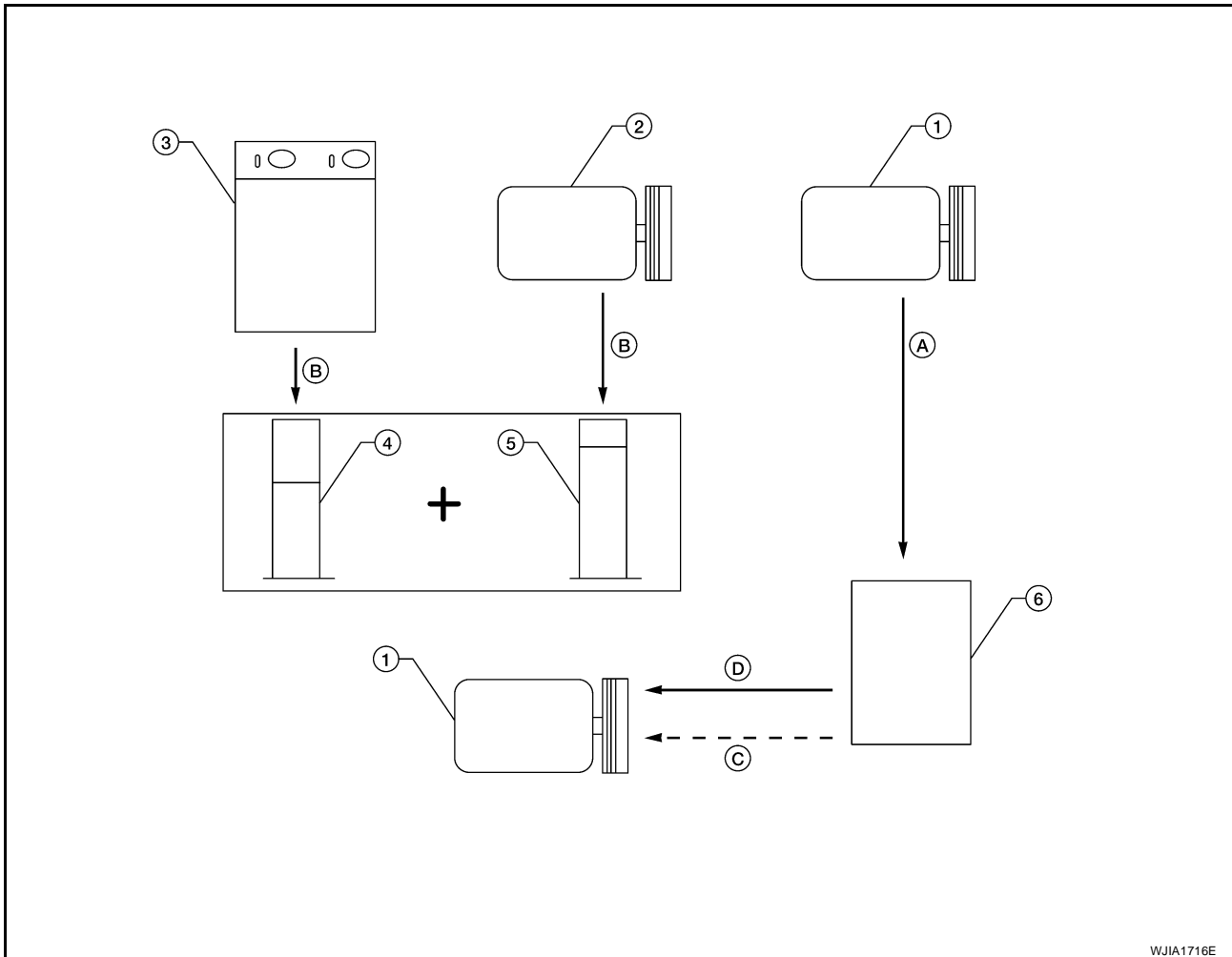
Amount of Oil to be Added

Part replaced	Oil to be added to system	Remarks
	Amount of oil m ℓ (US fl oz, Imp fl oz)	
Evaporator	75 (2.5, 2.6)	—
Condenser	75 (2.5, 2.6)	—
Liquid tank	5 (0.2, 0.2)	Add if compressor is not replaced.
In case of refrigerant leak	30 (1.0, 1.1)	Large leak
	—	Small leak *1

- *1: If refrigerant leak is small, no addition of oil is needed.

OIL

Oil Adjustment Procedure for Compressor Replacement



- | | | |
|---|-----------------------------------|--|
| 1. New compressor | 2. Old compressor | 3. Recovery/recycling equipment |
| 4. Measuring cup X | 5. Measuring cup Y | 6. New oil |
| A. Drain oil from the new compressor into clean container | B. Record amount of oil recovered | C. Add an additional 5 m ℓ (0.2 US fl oz, 0.2 Imp fl oz) of new oil when replacing liquid tank |
| D. Install new oil equal to recorded amounts in measuring cups X plus Y | | |

- Before connecting recovery/recycling equipment to vehicle, check recovery/recycling equipment gauges. No refrigerant pressure should be displayed. If NG, recover refrigerant from equipment lines.
- Connect recovery/recycling equipment to vehicle. Confirm refrigerant purity in supply tank using recovery/recycling equipment and refrigerant identifier. If NG, refer to [MTC-4, "Contaminated Refrigerant"](#).
- Confirm refrigerant purity in vehicle A/C system using recovery/recycling equipment and refrigerant identifier. If NG, refer to [MTC-4, "Contaminated Refrigerant"](#).
- Discharge refrigerant into the refrigerant recovery/recycling equipment. Measure oil discharged into the recovery/recycling equipment.
- Drain the oil from the "old" (removed) compressor into a graduated container and recover the amount of oil drained.
- Drain the oil from the "new" compressor into a separate, clean container.
- Measure an amount of new oil installed equal to amount drained from "old" compressor. Add this oil to "new" compressor through the suction port opening.
- Measure an amount of new oil equal to the amount recovered during discharging. Add this oil to "new" compressor through the suction port opening.
- If the liquid tank also needs to be replaced, add an additional 5 m ℓ (0.2 US fl oz, 0.2 Imp fl oz) of oil at this time.

OIL

CAUTION:

Do not add this 5 mℓ (0.2 US fl oz, 0.2 Imp fl oz) of oil if only replacing the compressor.

AIR CONDITIONER CONTROL

AIR CONDITIONER CONTROL

PFP:27500

Description

EJS003TN

The front air control provides regulation of the vehicle's interior temperature. The system is based on the position of the front air controls temperature switch selected by the driver. This is done by utilizing a microcomputer, also referred to as the front air control, which receives input signals from the following two sensors:

- Intake sensor
- PBR (position balanced resistor).

The front air control uses these signals (including the set position of the temperature switch) to control:

- Outlet air volume
- Air temperature
- Air distribution

Operation

EJS003TO

AIR MIX DOOR CONTROL

The air mix door is controlled so that in-vehicle temperature changed based on the position of the temperature control dial.

BLOWER SPEED CONTROL

Blower speed is controlled based on front blower switch settings.

When blower switch is turned, the blower motor starts and increases air flow volume each time the blower switch is turned clockwise, and decreases air flow volume each time the blower switch is turned counterclockwise.

INTAKE DOORS CONTROL

The intake doors are controlled by the recirculation switch setting, and the mode (recirculation is not allowed in floor, floor/defrost or defrost modes) control dial setting.

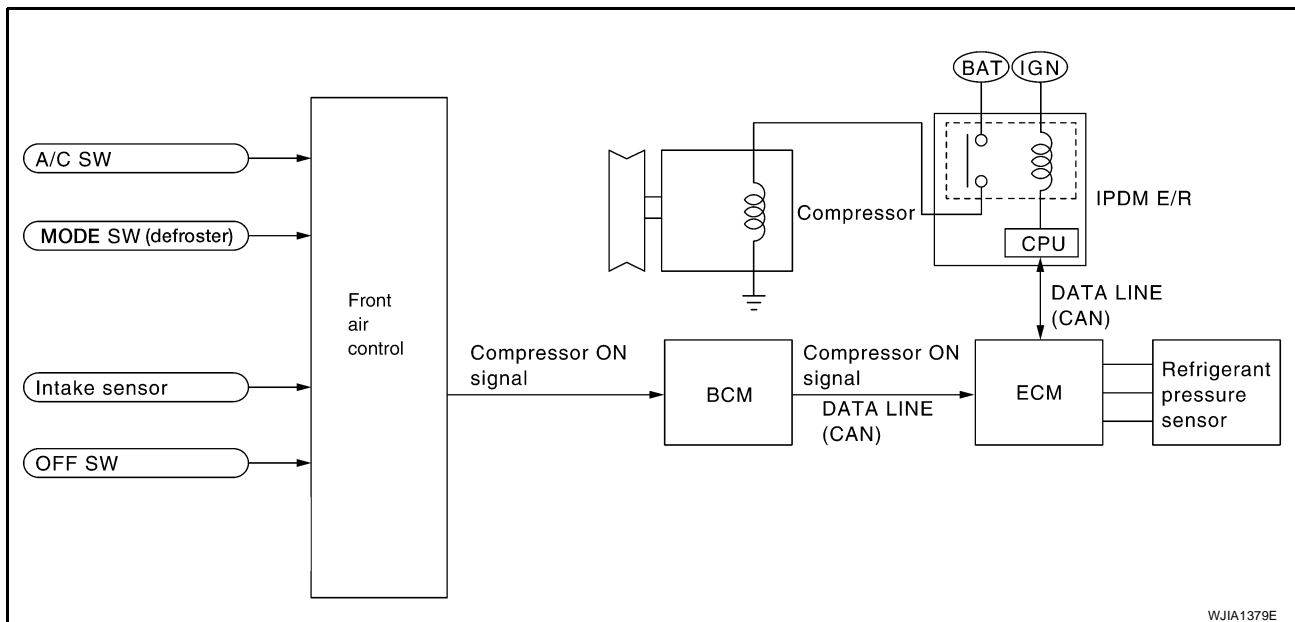
MODE DOOR CONTROL

The mode door is controlled by the position of the mode control dial.

DEFROSTER DOOR CONTROL

The defroster door is controlled by turning the defroster dial to front defroster.

MAGNET CLUTCH CONTROL



When A/C switch or DEF switch is pressed, front air control inputs compressor ON signal to BCM. BCM sends compressor ON signal to ECM, via CAN communication line.

A
B
C
D
E
F
G
H
I
K
L
M

MTC

AIR CONDITIONER CONTROL

ECM judges whether compressor can be turned ON, based on each sensor status (refrigerant pressure sensor signal, throttle angle sensor, etc.). If it judges compressor can be turned ON, it sends compressor ON signal to IPDM E/R, via CAN communication line.

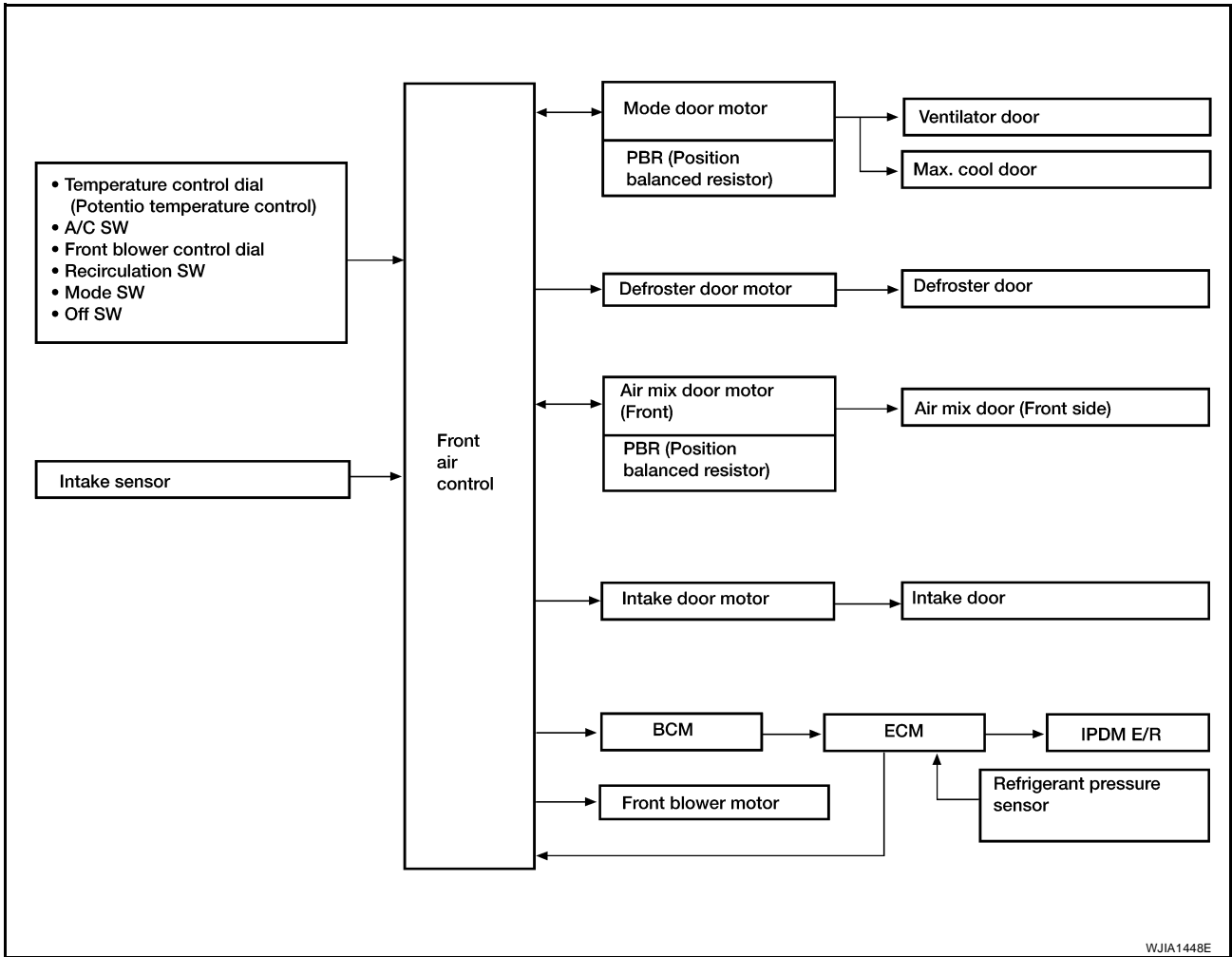
Upon receipt of compressor ON signal from ECM, IPDM E/R turns air conditioner relay ON to operate compressor.

AIR CONDITIONER CONTROL

EJS003TP

Description of Control System

The control system consists of input sensors, switches, the front air control (microcomputer) and outputs. The relationship of these components is shown in the figure below:

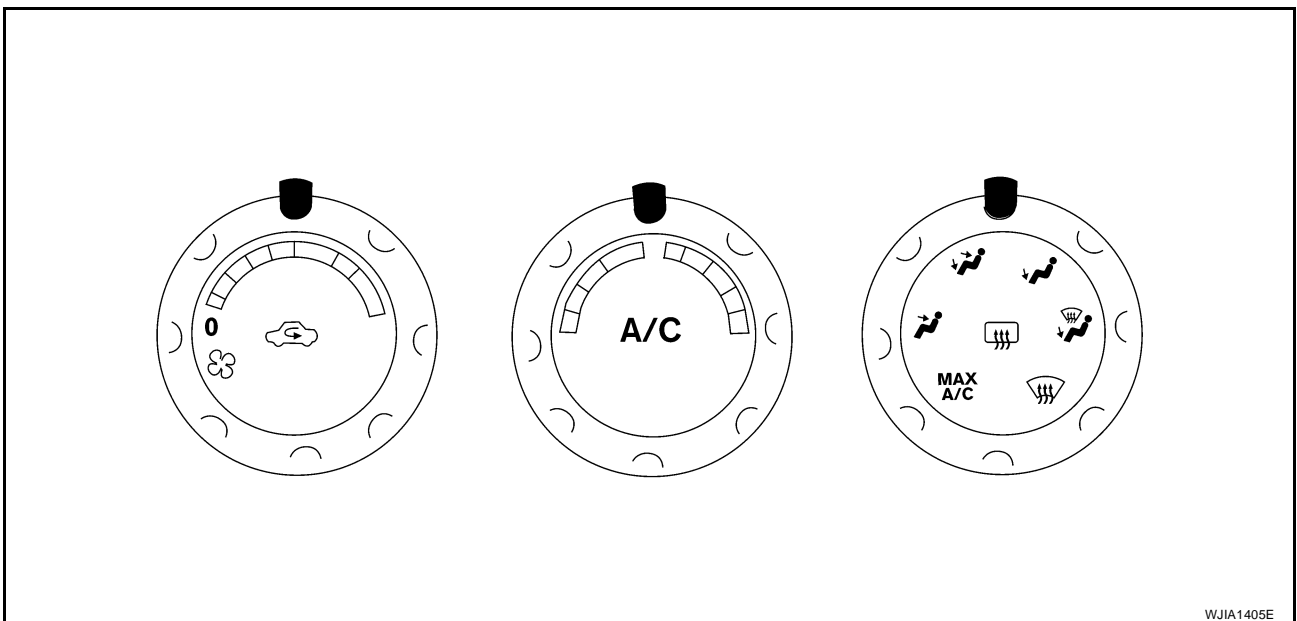


WJIA1448E

Control Operation

EJS003TQ

Front air control



WJIA1405E

A
B
C
D
E
F
G
H
I
MTC
K
L
M

AIR CONDITIONER CONTROL

TEMPERATURE CONTROL DIAL (TEMPERATURE CONTROL)

Increases or decreases the set temperature.

RECIRCULATION () SWITCH

- When REC switch is ON, REC switch indicator turns ON, and air inlet is set to REC.
- When REC switch is turned OFF, or when compressor is turned from ON to OFF, REC switch is automatically turned OFF. REC mode can be re-entered by pressing REC switch again.
- REC switch is not operated when DEF switch is turned ON, at the D/F position or in floor mode.

REAR WINDOW DEFOGGER SWITCH (CREW CAB)

When switch is ON, rear window and door mirrors are defogged.

OFF SWITCH (BLOWER SPEED SET TO 0)

The compressor and blower are OFF, the intake doors are set to the outside air position, and the air outlet doors are set to the foot position.

A/C SWITCH

The compressor is ON or OFF.

MODE CONTROL DIAL

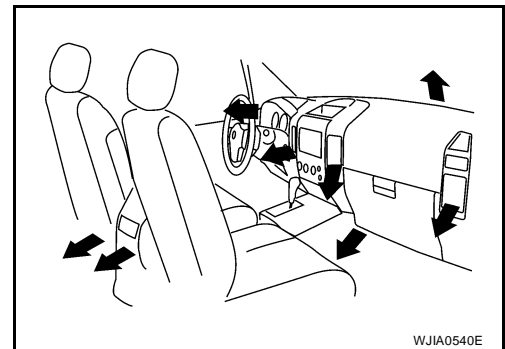
Controls the air discharge outlets through control of the mode and defroster doors.

FRONT BLOWER CONTROL DIAL

Manually control the blower speed. Fourteen speeds are available for manual control.






Discharge Air Flow

EJS003TR



WJIA0540E

Discharge air flow

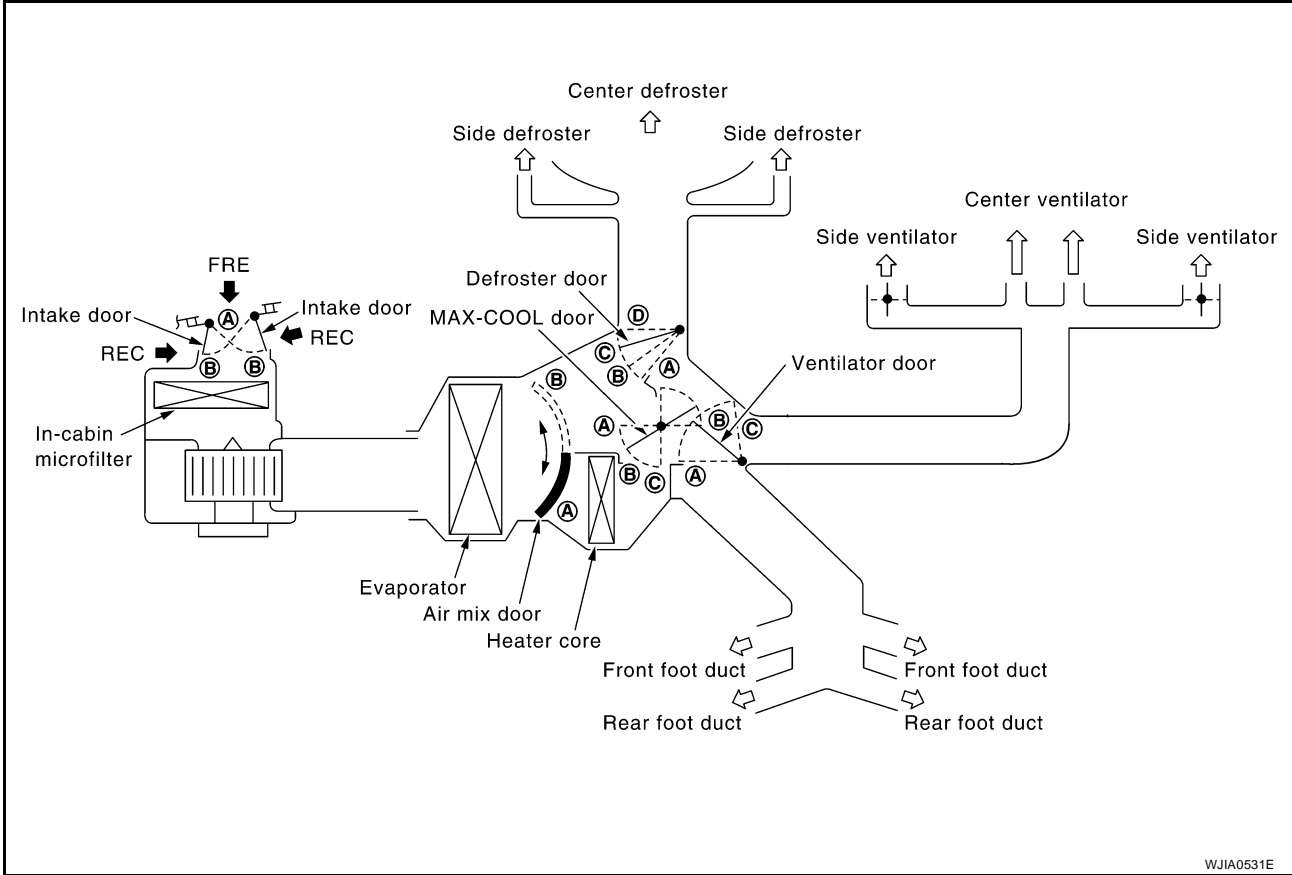
Mode door position	Air outlet/distribution		
	Vent	Foot	Defroster
	100%	–	–
	50%	50%	–
	–	(100%)	–
	–	60%	40%
	–	–	100%

WJIA1297E

AIR CONDITIONER CONTROL

EJS003TS

System Description SWITCHES AND THEIR CONTROL FUNCTION



WJIA0531E

Position or switch	MODE SW				DEF SW		REC SW		Temperature switch			OFF SW
	VENT	B/L	FOOT	D/F	ON	OFF	ON	OFF				
Door									COLD	~	HOT	
Ventilator door	(A)	(B)	(C)	(C)	(C)	—	—	—	—	—	—	(C)
MAX-COOL door	(A)	(B)	(B)	(B)	(C)	—	—	—	—	—	—	(B)
Defroster door	(D)	(D)	(D _{or} C)	(B)	(A)	—	—	—	—	—	—	(C)
Intake door	—				(B)	—	(A)	(B)	—			(B)
Air mix door	—				—	—	—		(A)	—	(B)	—

WJIA1406E

AIR CONDITIONER CONTROL

CAN Communication System Description

EJS003TU

Refer to [LAN-25, "CAN COMMUNICATION"](#) .

TROUBLE DIAGNOSIS

TROUBLE DIAGNOSIS

PFP:00004

CONSULT-II Function (HVAC)

EJS003TV

CONSULT-II can display each diagnostic item using the diagnostic test modes shown following.

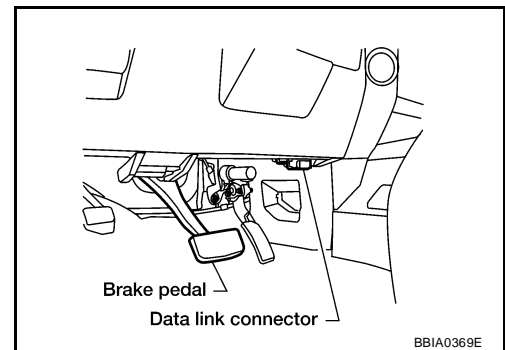
Diagnostic mode	Description
SELF-DIAG RESULTS	Displays front air control self-diagnosis results.
DATA MONITOR	Displays front air control input/output data in real time.
CAN DIAG SUPPORT MNTR	The result of transmit/receive diagnosis of CAN communication can be read.
ECU PART NUMBER	Front air control part number can be read.

CONSULT-II BASIC OPERATION

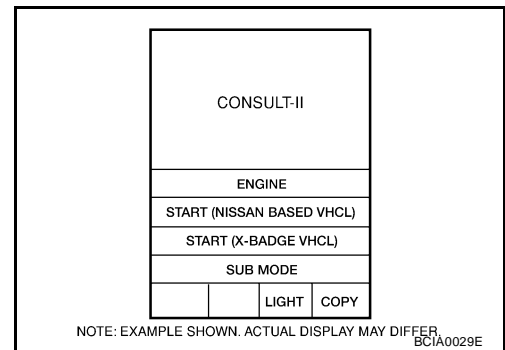
CAUTION:

If CONSULT-II is used with no connection of CONSULT-II CONVERTER, malfunctions might be detected in self-diagnosis depending on control unit which carries out CAN communication.

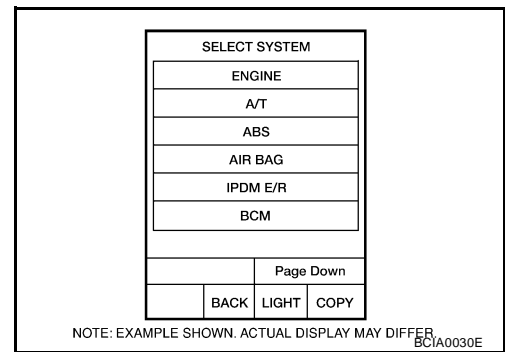
1. With the ignition switch OFF, connect CONSULT-II and CONSULT-II CONVERTER to the data link connector, and turn the ignition switch ON.



2. Touch "START (NISSAN BASED VHCL)".



3. Touch "HVAC" on "SELECT SYSTEM" screen. If "HVAC" is not indicated, go to [GI-39, "CONSULT-II Data Link Connector \(DLC\) Circuit"](#).

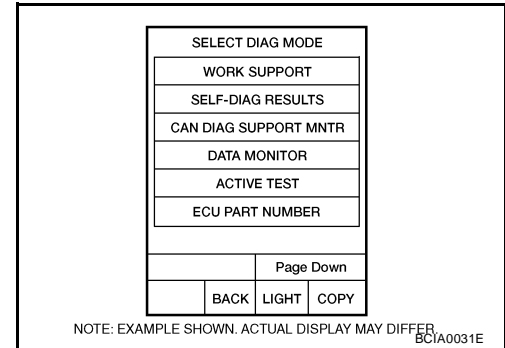


TROUBLE DIAGNOSIS

SELF-DIAGNOSIS

Operation Procedure

1. Touch "SELF-DIAG RESULTS" on "SELECT DIAG MODE" screen to view all set DTC's.



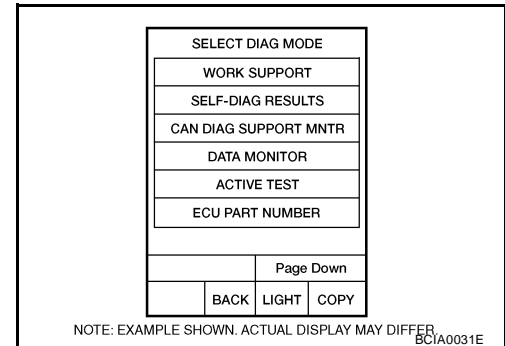
Display Item List

DTC	Description	Reference page
B2573	Battery voltage out of range	SC-4, "BATTERY"
B2581	Intake sensor circuit short	MTC-61, "Intake Door Motor Circuit"
B2582	Intake sensor circuit open	
U1000	CAN bus fault	LAN-25, "CAN COMMUNICATION"
B2587	Stuck button	MTC-95, "CONTROL UNIT"

DATA MONITOR

Operation Procedure

1. Touch "DATA MONITOR" on "SELECT DIAG MODE" screen.



2. Touch either "MAIN SIGNALS" or "SELECTION FROM MENU" on "DATA MONITOR" screen.

MAIN SIGNALS	Monitors all the items.
SELECTION FROM MENU	Selects and monitors the individual item selected.

3. When "SELECTION FROM MENU" is selected, touch items to be monitored. When "MAIN SIGNALS" is selected, all the items will be monitored.
4. Touch "START".
5. Touch "RECORD" while monitoring, then the status of the monitored item can be recorded. To stop recording, touch "STOP".

Display Item List

Monitor item	Value	Contents
BATT VIA CAN	"V"	Displays battery voltage signal.
IGN VIA CAN	"ON/OFF"	Displays ignition switch signal.
EVAP TEMP SEN	"°C/°F"	Displays intake sensor signal.

TROUBLE DIAGNOSIS

Monitor item	Value	Contents
RR TEMPSET FR	"V"	Displays air mix door (front) set point signal.
MODE FDBCK	"V"	Displays mode door motor feedback signal.
DVR MIX FDBCK	"V"	Displays air mix door motor (front) feedback signal.
DEF FDBCK	"V"	Displays defroster door motor feedback signal.
RECIRC	"ON/OFF"	Displays recirculation switch signal.
A/C	"ON/OFF"	Displays A/C switch signal.
RR DEFOG	"ON/OFF"	Displays rear defroster request signal.
MODE SELECT	" [PNL]" " [MIX]" " [FLR]" " [DEFR]" " [MAX]" " [DENT]"	Displays mode door motor position.

*: DENT is displayed when MODE switch is between selections.

A
B
C
D
E
F
G
H
I
K
L
M

MTC

TROUBLE DIAGNOSIS

EJS003TW

CONSULT-II Function (BCM)

CONSULT-II can display each diagnostic item using the diagnostic test modes shown following.

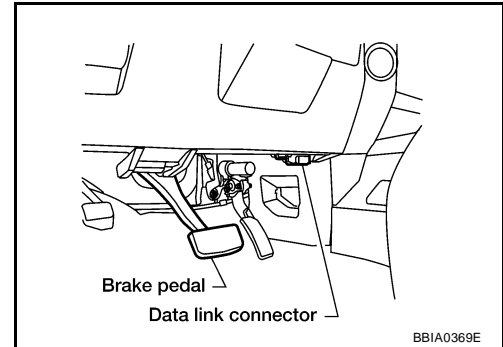
BCM diagnostic test item	Diagnostic mode	Description
Inspection by part	WORK SUPPORT	Supports inspections and adjustments. Commands are transmitted to the BCM for setting the status suitable for required operation, input/output signals are received from the BCM and received data is displayed.
	DATA MONITOR	Displays BCM input/output data in real time.
	ACTIVE TEST	Operation of electrical loads can be checked by sending drive signal to them.
	SELF-DIAG RESULTS	Displays BCM self-diagnosis results.
	CAN DIAG SUPPORT MNTR	The result of transmit/receive diagnosis of CAN communication can be read.
	ECU PART NUMBER	BCM part number can be read.
	CONFIGURATION	Performs BCM configuration read/write functions.

CONSULT-II BASIC OPERATION

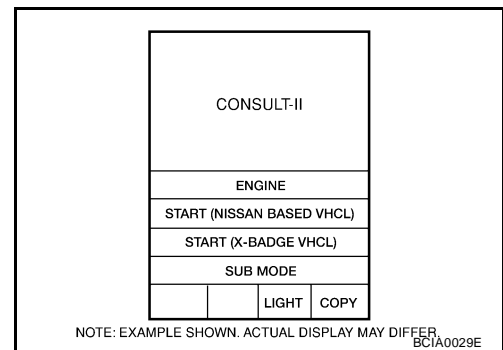
CAUTION:

If CONSULT-II is used with no connection of CONSULT-II CONVERTER, malfunctions might be detected in self-diagnosis depending on control unit which carries out CAN communication.

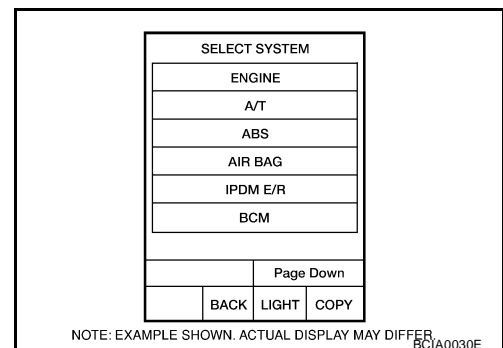
1. With the ignition switch OFF, connect CONSULT-II and CONSULT-II CONVERTER to the data link connector, and turn the ignition switch ON.



2. Touch "START (NISSAN BASED VHCL)".



3. Touch "BCM" on "SELECT SYSTEM" screen. If "BCM" is not indicated, go to [GI-39, "CONSULT-II Data Link Connector \(DLC\) Circuit"](#) .

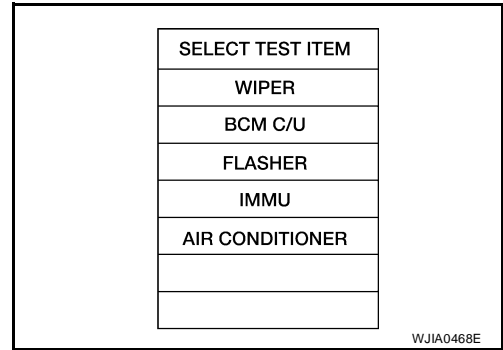


TROUBLE DIAGNOSIS

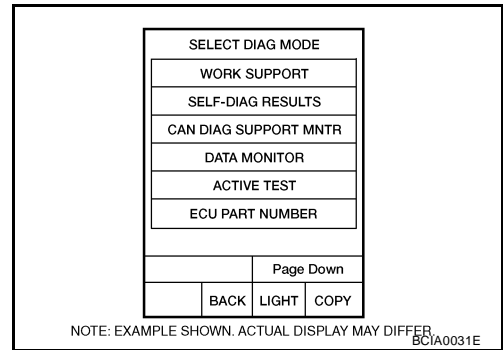
DATA MONITOR

Operation Procedure

1. Touch "AIR CONDITIONER" on "SELECT TEST ITEM" screen.



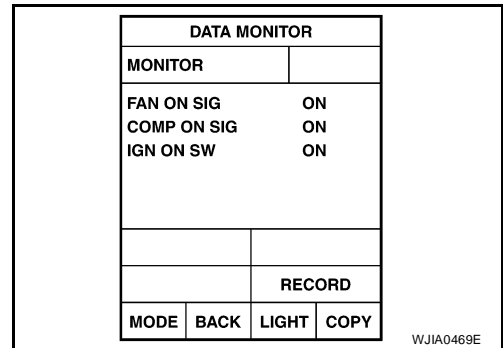
2. Touch "DATA MONITOR" on "SELECT DIAG MODE" screen.



3. Touch either "ALL SIGNALS" or "SELECTION FROM MENU" on "DATA MONITOR" screen.

ALL SIGNALS	Monitors all the items.
SELECTION FROM MENU	Selects and monitors the individual item selected.

4. When "SELECTION FROM MENU" is selected, touch items to be monitored. When "ALL SIGNALS" is selected, all the items will be monitored.
5. Touch "START".
6. Touch "RECORD" while monitoring, then the status of the monitored item can be recorded. To stop recording, touch "STOP".



Display Item List

Monitor item name "operation or unit"	Contents
IGN ON SW "ON/OFF"	Displays "IGN Position (ON)/(OFF), ACC Position (OFF)" status as judged from ignition switch signal.
COMP ON SIG "ON/OFF"	Displays "COMP (ON)/COMP (OFF)" status as judged from air conditioner switch signal.
FAN ON SIG "ON/OFF"	Displays "FAN (ON)/FAN (OFF)" status as judged from blower motor switch signal.

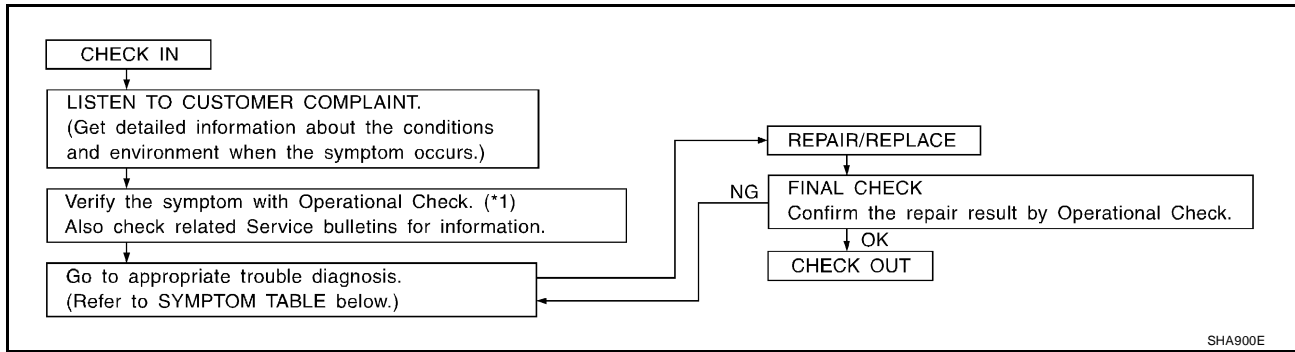
A
B
C
D
E
F
G
H
I
K
L
M

MTC

TROUBLE DIAGNOSIS

EJS003TX

How to Perform Trouble Diagnosis for Quick and Accurate Repair WORK FLOW



SHA900E

*1 [MTC-46. "Operational Check".](#)

SYMPTOM TABLE

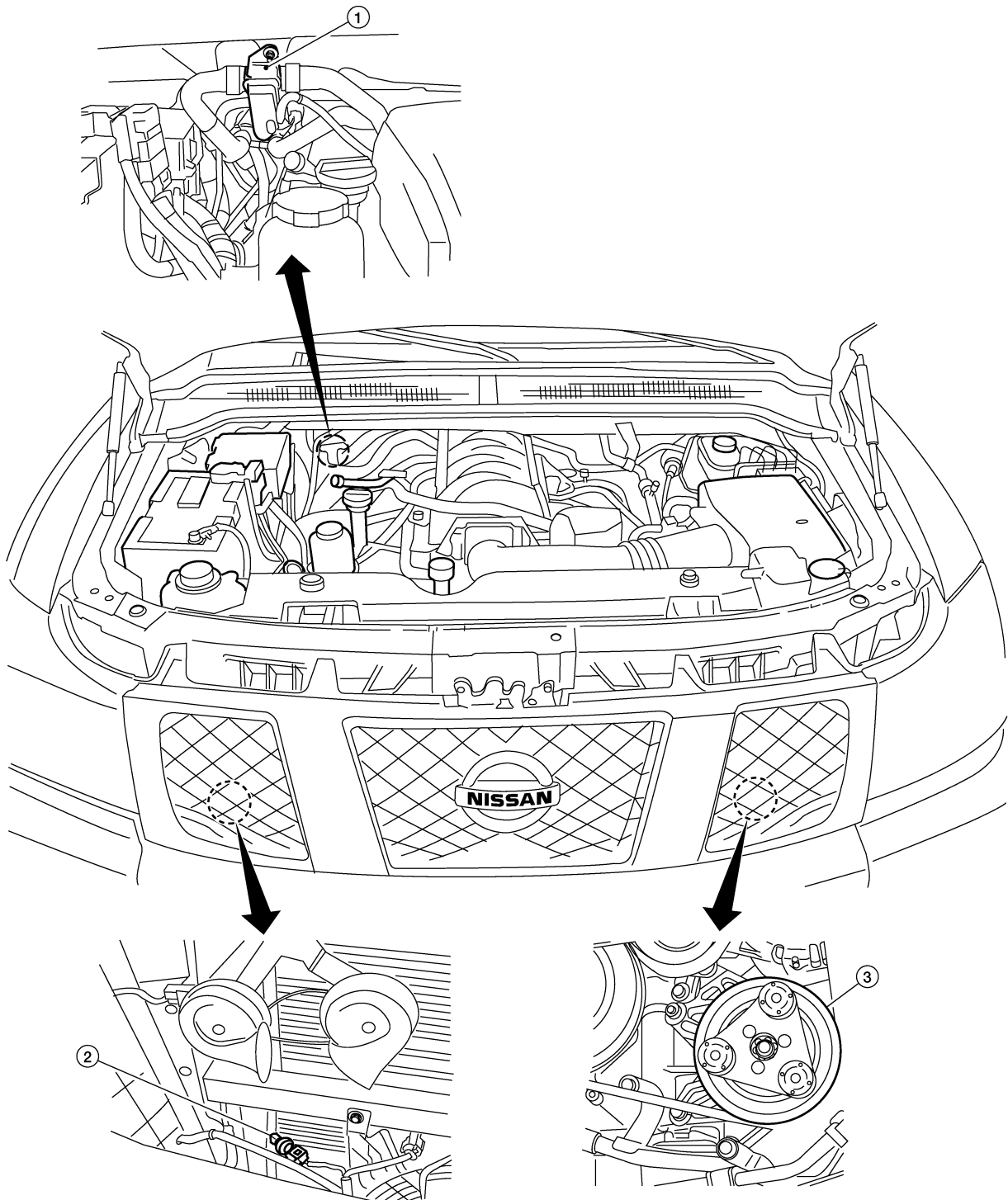
Symptom	Reference Page
A/C system does not come on.	Go to Trouble Diagnosis Procedure for A/C System. MTC-48
A/C system cannot be controlled.	Go to Self-diagnosis Function. MTC-30
Air outlet does not change.	Go to Trouble Diagnosis Procedure for Mode Door Motor. MTC-51
Mode door motor is malfunctioning.	
Discharge air temperature does not change.	Go to Trouble Diagnosis Procedure for Air Mix Door Motor (Front). MTC-56
Air mix door motor (front) is malfunctioning.	
Intake door does not change.	Go to Trouble Diagnosis Procedure for Intake Door Motor. MTC-61
Intake door motor is malfunctioning.	
Defroster door motor is malfunctioning.	Go to Trouble Diagnosis Procedure for Defroster Door Motor. MTC-65
Front blower motor operation is malfunctioning.	Go to Trouble Diagnosis Procedure for Front Blower Motor. MTC-70
Magnet clutch does not engage.	Go to Trouble Diagnosis Procedure for Magnet Clutch. MTC-77
Insufficient cooling	Go to Trouble Diagnosis Procedure for Insufficient Cooling. MTC-82
Insufficient heating	Go to Trouble Diagnosis Procedure for Insufficient Heating. MTC-89
Noise	Go to Trouble Diagnosis Procedure for Noise. MTC-90

TROUBLE DIAGNOSIS

Component Parts and Harness Connector Location ENGINE COMPARTMENT

EJS003TY

A
B
C
D
E
F
G
H
I
MTC
K
L
M



1. Water valve F68

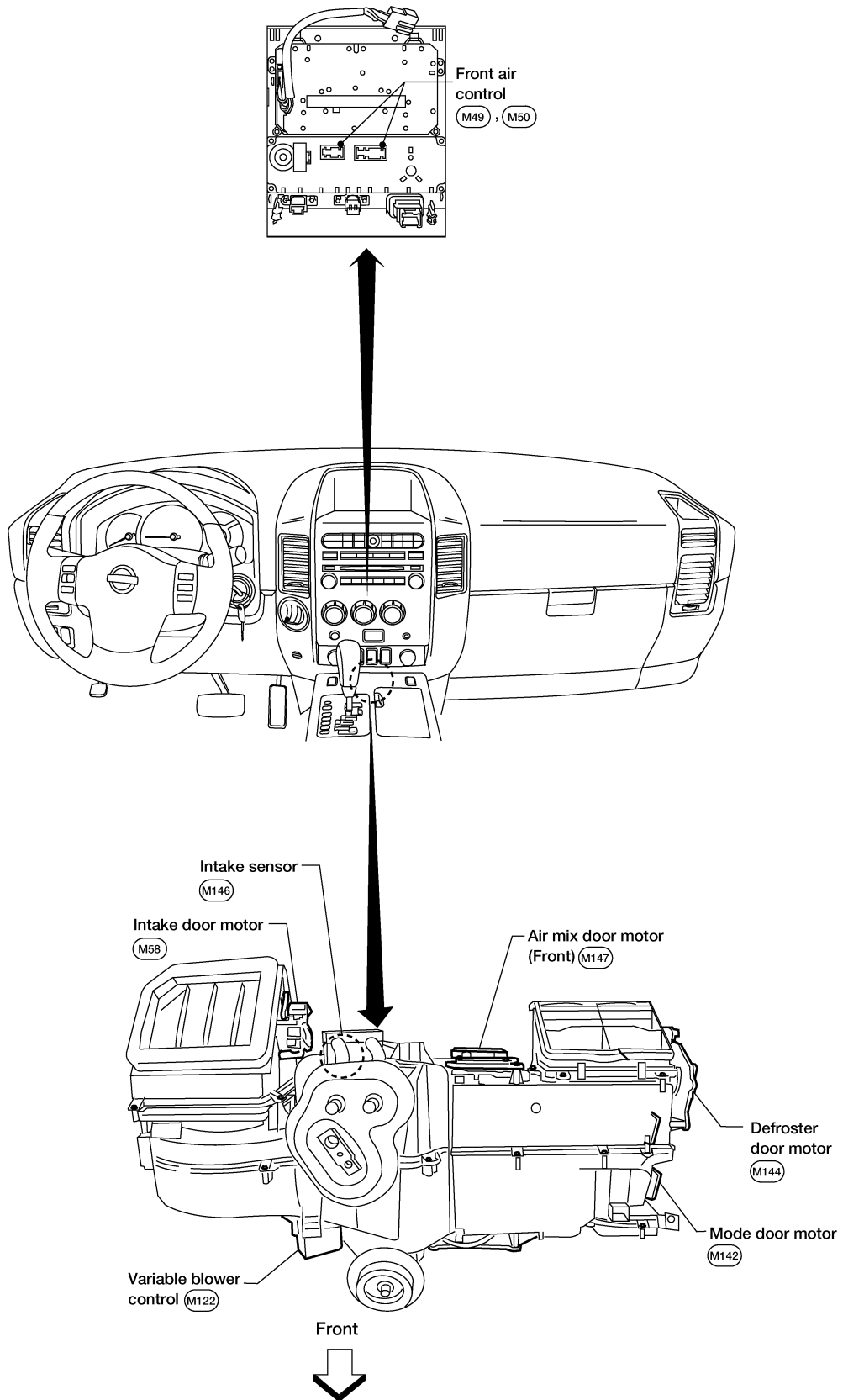
2. Refrigerant pressure sensor E48
(view with grille removed.)

3. A/C compressor F3

WJIA1924E

TROUBLE DIAGNOSIS

PASSENGER COMPARTMENT

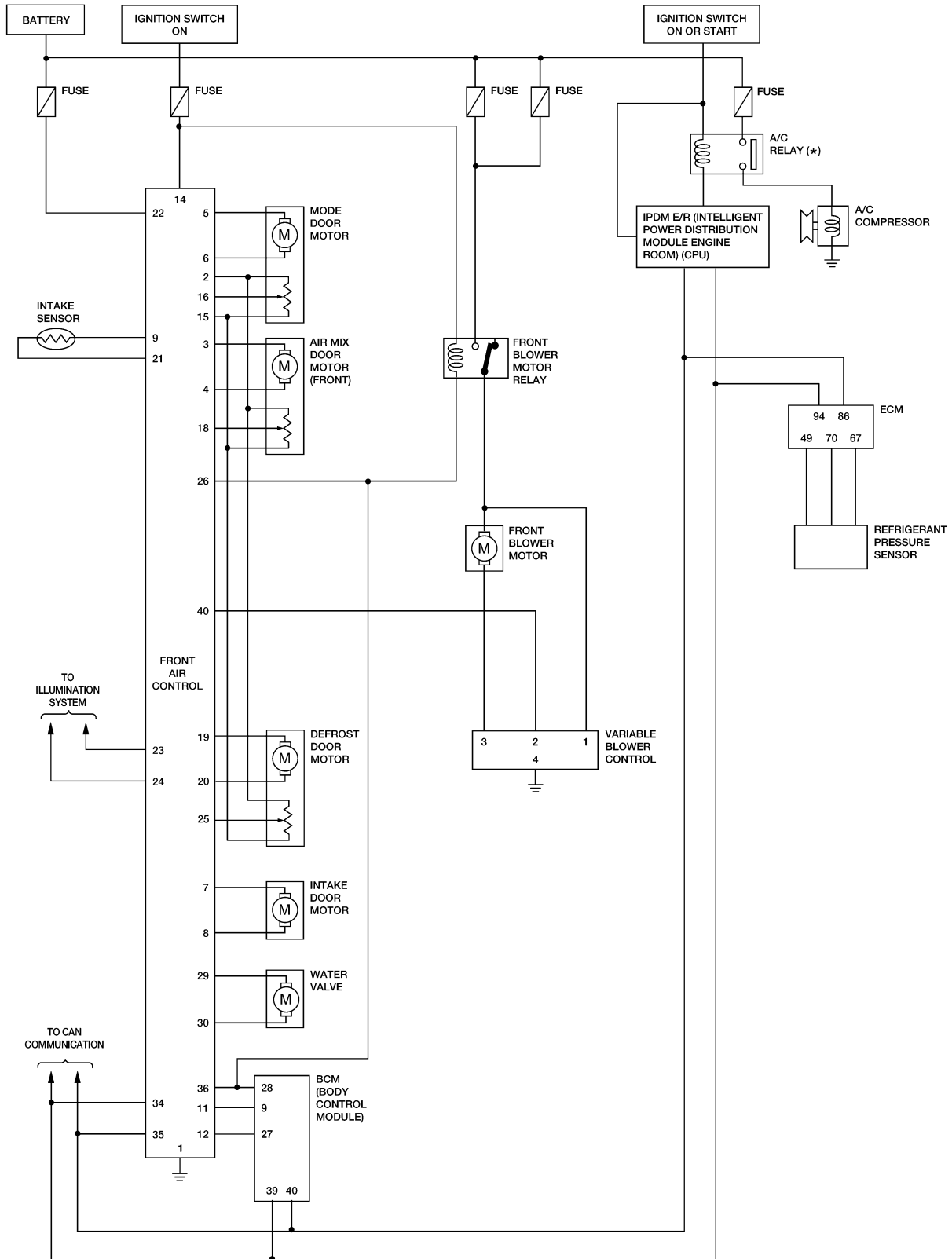


WJIA1925E

TROUBLE DIAGNOSIS

Schematic

EJS003TZ



*: THIS RELAY IS BUILT INTO THE IPDM E/R
(INTELLIGENT POWER DISTRIBUTION MODULE ENGINE ROOM)

WJWA0334E

A
B
C
D
E
F
G
H
I
K
L
M

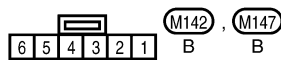
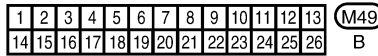
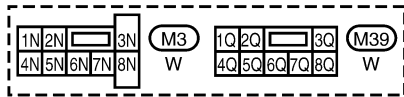
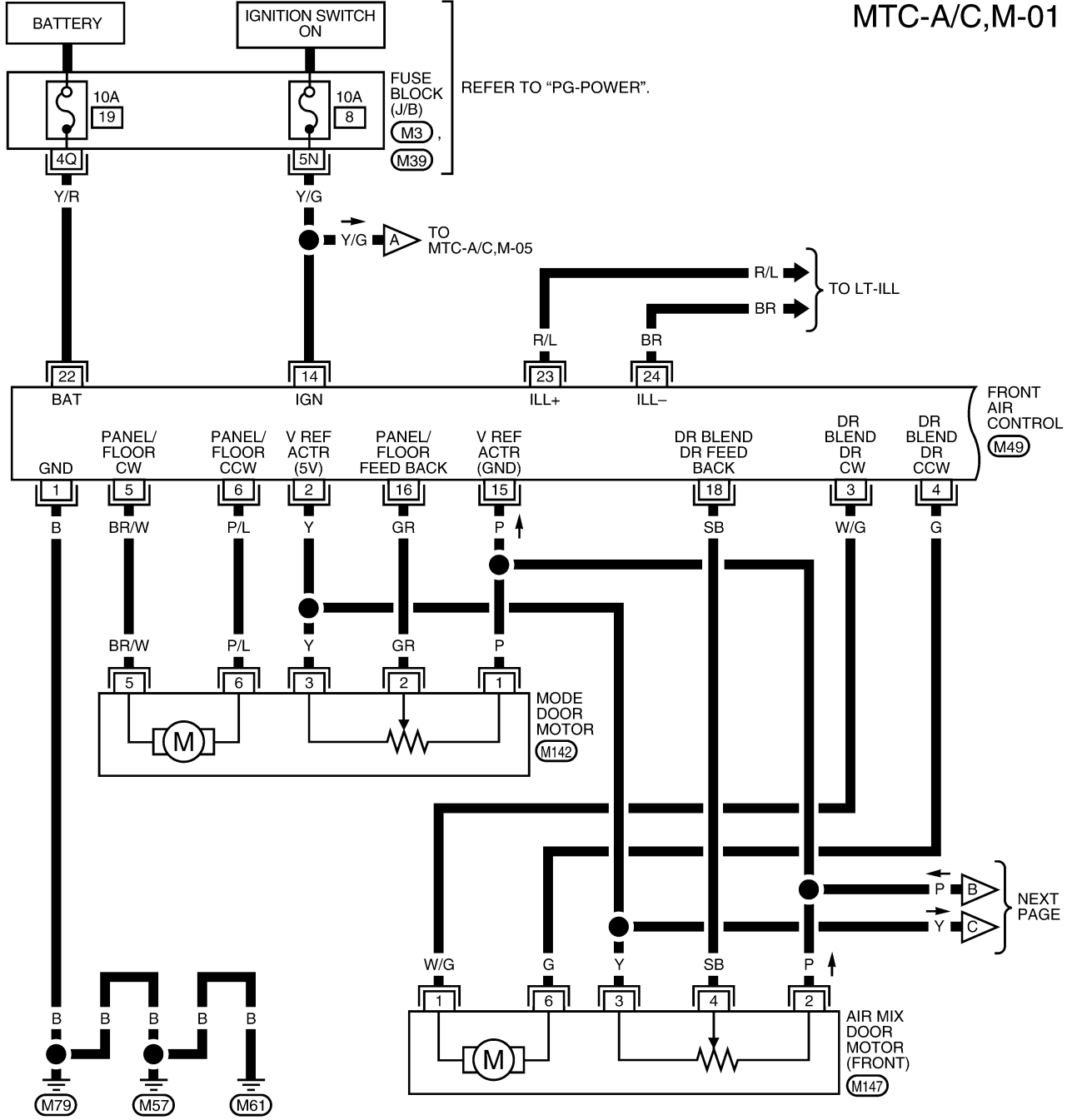
MTC

TROUBLE DIAGNOSIS

EJS003U0

Wiring Diagram — A/C,M —

MTC-A/C,M-01

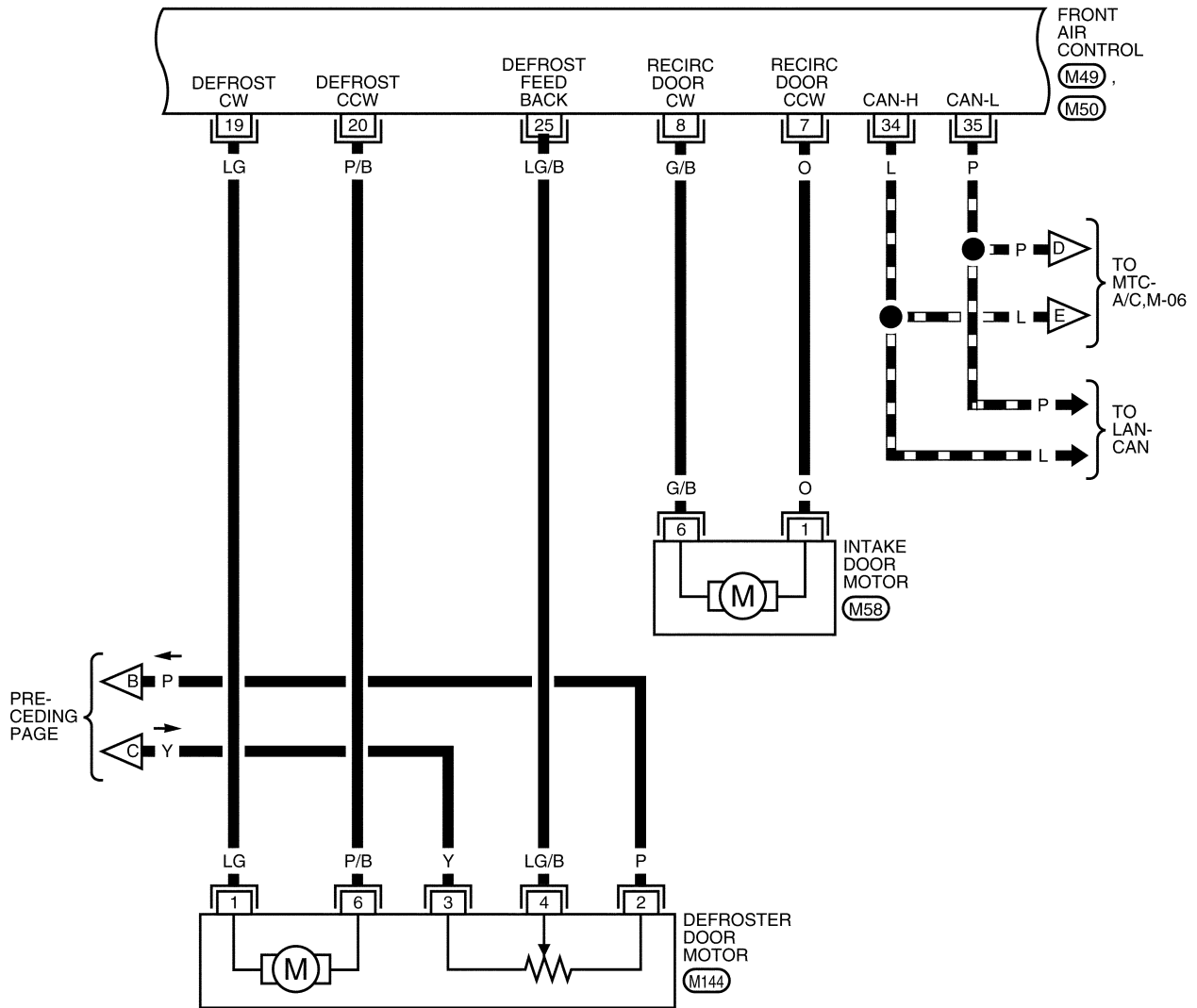


WJWA0335E

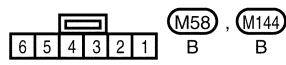
TROUBLE DIAGNOSIS

MTC-A/C,M-02

— : DATA LINE



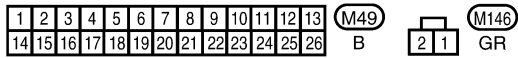
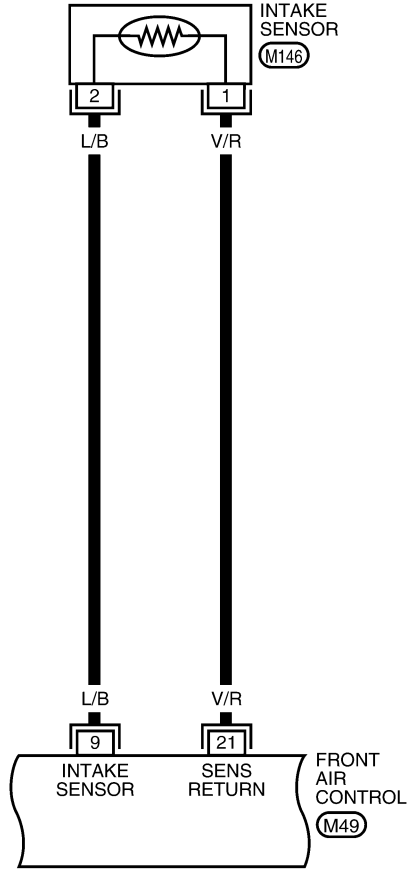
1	2	3	4	5	6	7	8	9	10	11	12	13	(M49)	27	28	29	30	31	32	33	34	35	(M50)
14	15	16	17	18	19	20	21	22	23	24	25	26	B	36	37	38	39	40	41	42	43	44	W



WJWA0336E

TROUBLE DIAGNOSIS

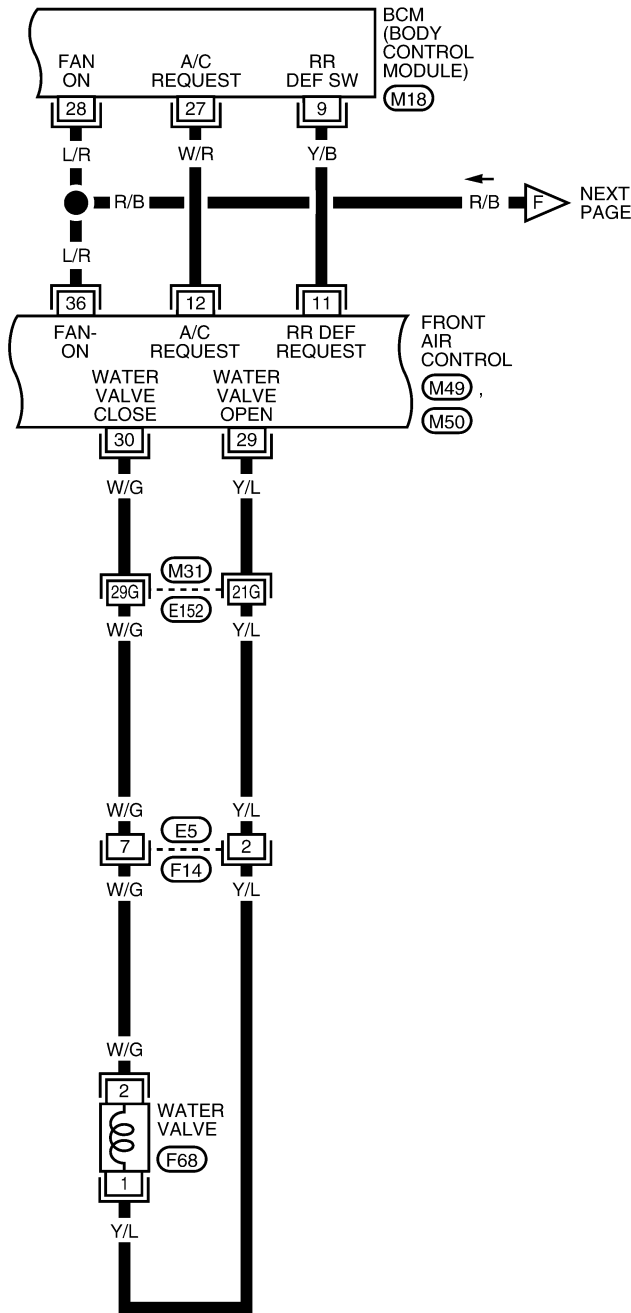
MTC-A/C,M-03



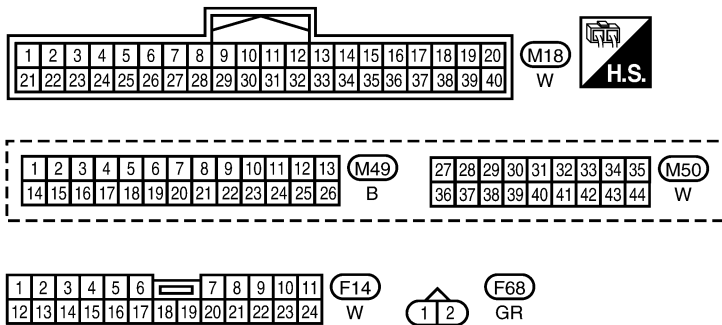
WJWA0220E

TROUBLE DIAGNOSIS

MTC-A/C,M-04



A
B
C
D
E
F
G
H
I
MTC
K
L
M

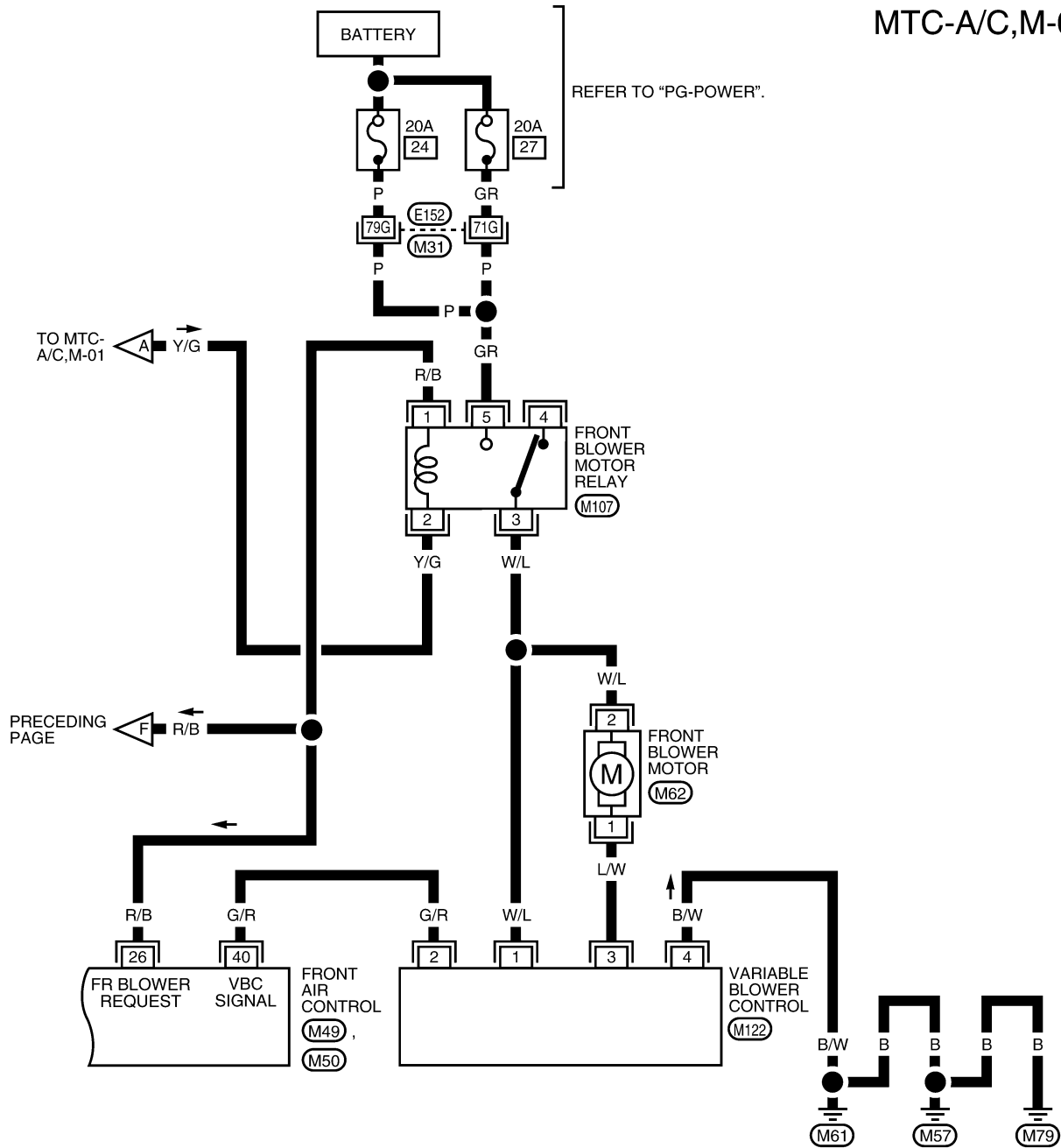


REFER TO THE FOLLOWING.
(M31) - SUPER MULTIPLE JUNCTION (SMJ)

WJWA0337E

TROUBLE DIAGNOSIS

MTC-A/C,M-05

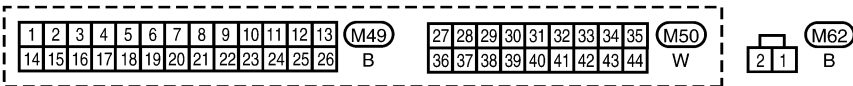


REFER TO "PG-POWER".

TO MTC-A/C,M-01

PRECEDING PAGE

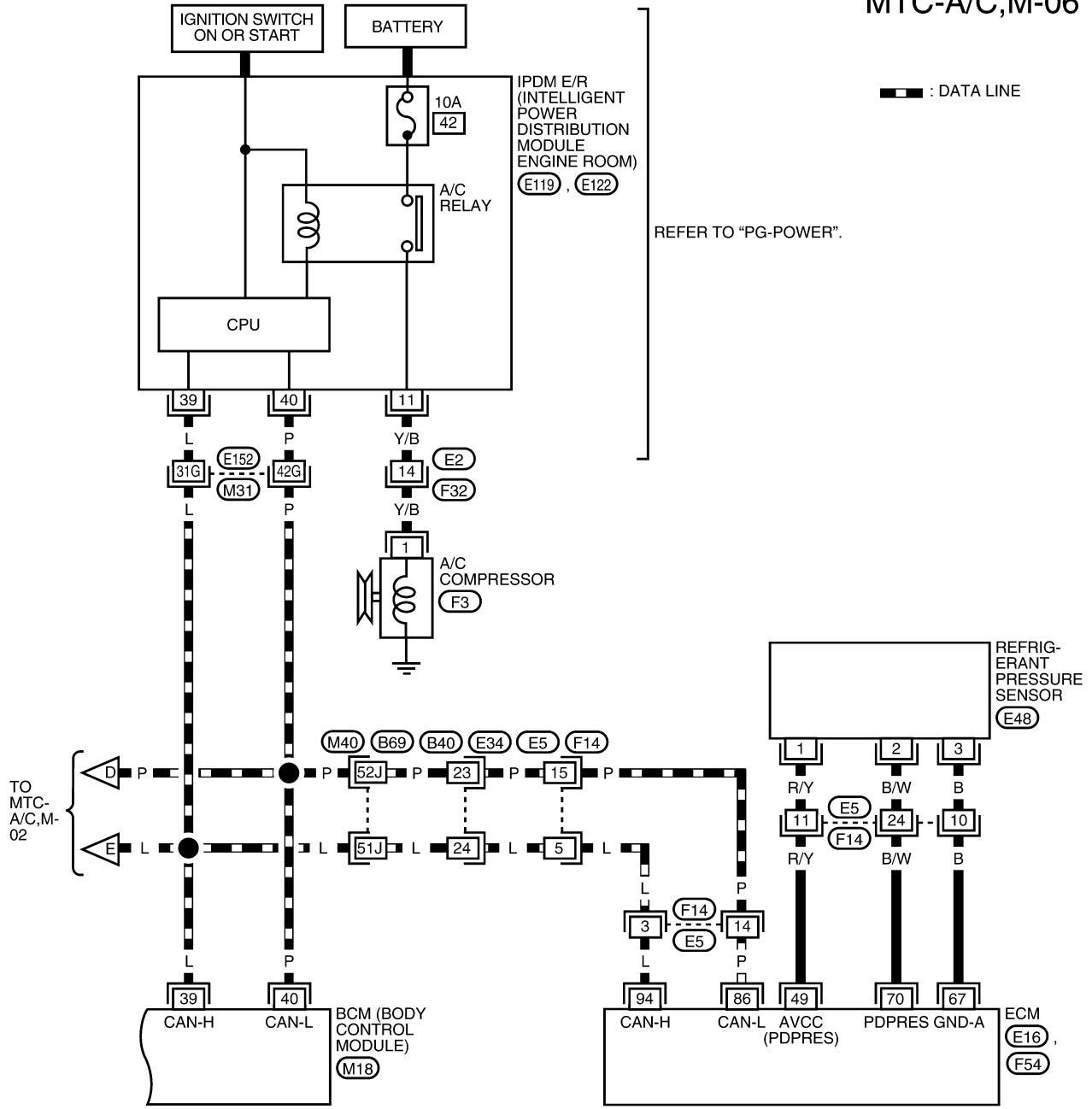
REFER TO THE FOLLOWING.
 M31 - SUPER MULTIPLE JUNCTION (SMJ)



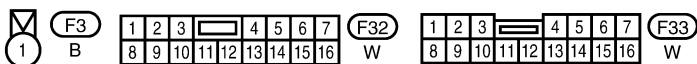
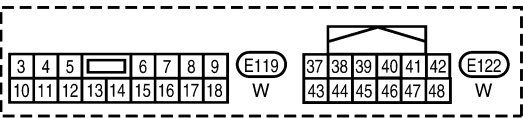
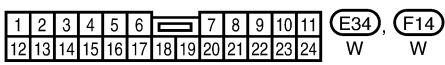
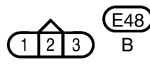
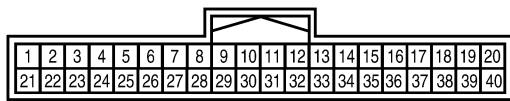
WJWA0338E

TROUBLE DIAGNOSIS

MTC-A/C,M-06



A
B
C
D
E
F
G
H
I
MTC
K
L
M



REFER TO THE FOLLOWING.
 (E16), (F54) - ELECTRICAL UNITS
 (M31), (M40) - SUPER MULTIPLE JUNCTION (SMJ)

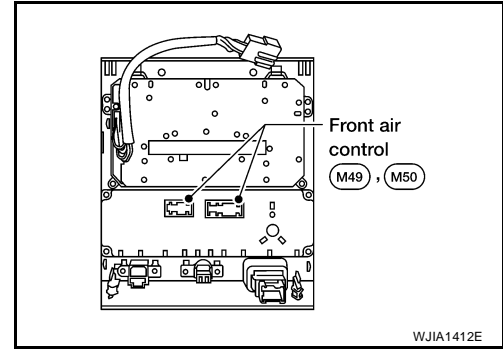
WJWA0339E

TROUBLE DIAGNOSIS

EJS003U1

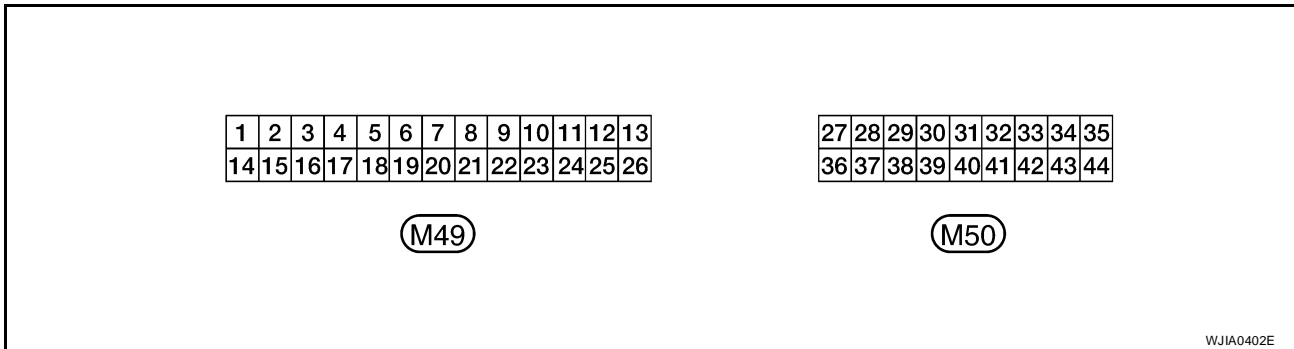
Front Air Control Terminals and Reference Value

Measure voltage between each terminal and ground by following Terminals and Reference Value for Front Air Control.



WJIA1412E

PIN CONNECTOR TERMINAL LAYOUT

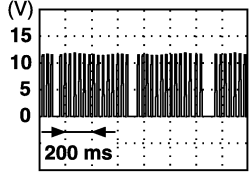


WJIA0402E

TERMINALS AND REFERENCE VALUE FOR FRONT AIR CONTROL

Terminal No.	Wire color	Item	Ignition switch	Condition	Voltage (V) (Approx.)
1	B	Ground	-	-	0V
2	Y	Sensor power	ON	-	5V
3	W/G	Air mix door motor (front) CW	ON	Clockwise rotation	Battery voltage
4	G	Air mix door motor (front) CCW	ON	Counterclockwise rotation	Battery voltage
5	BR/W	Mode door motor CW	ON	Clockwise rotation	Battery voltage
6	P/L	Mode door motor CCW	ON	Counterclockwise rotation	Battery voltage
7	O	Intake door motor CCW	ON	Counterclockwise rotation	Battery voltage
8	G/B	Intake door motor CW	ON	Clockwise rotation	Battery voltage
9	L/B	Intake sensor	ON	-	0 - 5V
11	Y/B	Rear defroster request	ON	-	Battery voltage
12	W/R	Compressor ON signal	ON	A/C switch OFF	5V
			ON	A/C switch ON	0V
14	Y/G	Power supply for IGN	ON	-	Battery voltage
15	P	Sensor ground	ON	-	0V
16	GR	Mode door motor feedback	ON	-	0 - 5V
18	SB	Air mix door motor (front) feedback	ON	-	0 - 5V
19	LG	Defroster door motor CW	ON	Clockwise rotation	Battery voltage
20	P/B	Defroster door motor CCW	ON	Counterclockwise rotation	Battery voltage
21	V/R	Sensor return	ON	-	0 - 5V
22	Y/R	Power supply for BAT	-	-	Battery voltage
23	R/L	Illumination +	ON	Park lamps ON	Battery voltage

TROUBLE DIAGNOSIS

Terminal No.	Wire color	Item	Ignition switch	Condition	Voltage (V) (Approx.)
24	BR	Illumination -	-	Park lamps ON	
25	LG/B	Defroster door motor feedback	ON	-	0 - 5V
26	R/B	Front blower request	ON	Front blower motor OFF	Battery voltage
				Front blower motor ON	0V
29	Y/L	Water valve	ON	Water valve open	0V
				Water valve closed	5V
30	W/G	Water valve	ON	Water valve open	0V
				Water valve closed	Battery voltage
34	L	CAN-H	ON	-	0 - 5V
35	P	CAN-L	ON	-	0 - 5V
36	L/R	Fan ON signal	ON	Blower control dial OFF	5V
				Blower control dial ON	0V
40	G/R	Variable Blower Control output	ON	-	0 - 5V

A
B
C
D
E
F
G
H
I

MTC

TROUBLE DIAGNOSIS

EJS003U3

Operational Check

The purpose of the operational check is to confirm that the system operates properly.

Conditions : Engine running and at normal operating temperature

CHECKING BLOWER

1. Turn blower control dial clockwise. Blower should operate on low speed.
2. Turn the blower control dial again, and continue checking blower speed and fan symbol until all speeds are checked.
3. Leave blower on maximum speed.

If NG, go to [MTC-72, "DIAGNOSTIC PROCEDURE FOR BLOWER MOTOR"](#)

If OK, continue with next check.

CHECKING DISCHARGE AIR

1. Turn the mode switch to each mode position.
2. Confirm that discharge air comes out according to the air distribution table. Refer to [MTC-26, "Discharge Air Flow"](#).






Mode door position is checked in the next step.

If NG, go to trouble diagnosis procedure for [MTC-51, "Mode Door Motor Circuit"](#).

If OK, continue with next check.



NOTE:

Confirm that the compressor clutch is engaged (sound or visual inspection) and intake door position is at fresh when the DEF or D/F is selected.

Discharge air flow			
Mode door position	Air outlet/distribution		
	Vent	Foot	Defroster
	100%	–	–
	50%	50%	–
	–	(100%)	–
	–	60%	40%
	–	–	100%

WJIA1297E

☺CHECKING RECIRCULATION (, ONLY)

1. Press recirculation () switch one time. Recirculation indicator should illuminate.
2. Press recirculation () switch one more time. Recirculation indicator should go off.
3. Listen for intake door position change (blower sound should change slightly).

If NG, go to trouble diagnosis procedure for [MTC-61, "Intake Door Motor Circuit"](#).

If OK, continue with next check.

NOTE:

Confirm that the compressor clutch is engaged (sound or visual inspection) and intake door position is at fresh when the DEF, D/F or floor is selected. Recirculation is not allowed in DEF, D/F, or floor.

CHECKING TEMPERATURE DECREASE

1. Rotate temperature control dial counterclockwise.
2. Check for cold air at appropriate discharge air outlets.

If NG, listen for sound of air mix door motor (front) operation if OK, go to trouble diagnosis procedure for [MTC-82, "Insufficient Cooling"](#). If air mix door motor (front) appears to be malfunctioning, go to [MTC-57, "DIAGNOSTIC PROCEDURE FOR AIR MIX DOOR MOTOR \(FRONT\)"](#).

If OK, continue with next check.

CHECKING TEMPERATURE INCREASE

1. Rotate temperature control dial clockwise.
2. Check for hot air at appropriate discharge air outlets.

If NG, listen for sound of air mix door motor (front) operation. If OK, go to trouble diagnosis procedure for [MTC-89, "Insufficient Heating"](#). If air mix door motor (front) appears to be malfunctioning, go to [MTC-57, "DIAGNOSTIC PROCEDURE FOR AIR MIX DOOR MOTOR \(FRONT\)"](#).

If OK, continue with next check.

CHECK A/C SWITCH

1. Press A/C switch with the blower control dial in any position except OFF.
2. A/C switch indicator will turn ON.
 - Confirm that the compressor clutch engages (sound or visual inspection).

TROUBLE DIAGNOSIS

NOTE:

Confirm that the compressor clutch is engaged (sound or visual inspection).
If NG, go to trouble diagnosis procedure for [MTC-77, "Magnet Clutch Circuit"](#).
If OK, continue with next check.

A

B

C

D

E

F

G

H

I

MTC

K

L

M

TROUBLE DIAGNOSIS

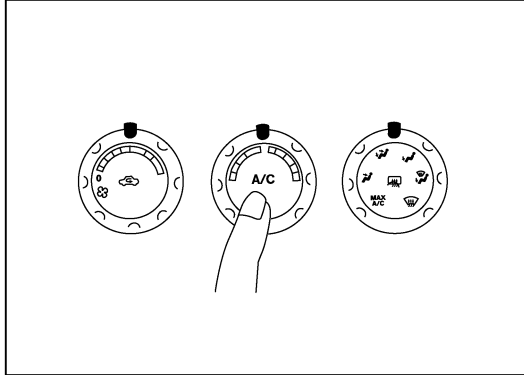
EJS003U5

Power Supply and Ground Circuit for Front Air Control

SYMPTOM: A/C system does not come on.

INSPECTION FLOW

1. Confirm symptom by performing the following operational check.



OPERATIONAL CHECK –

- Press A/C switch.
- Display should indicate A/C.
Confirm that the compressor clutch engages (Sound or visual inspection).

If OK (symptom cannot be duplicated), perform complete operational check (*2).
If NG (symptom is confirmed), continue with STEP-2 following.

2. Check for any service bulletins.

3. Check Main Power Supply and Ground Circuit. (*1)

4. Replace front air control.

*1 [MTC-48, "Power Supply and Ground Circuit for Front Air Control"](#). *2 [MTC-46, "Operational Check"](#).

WJIA1411E

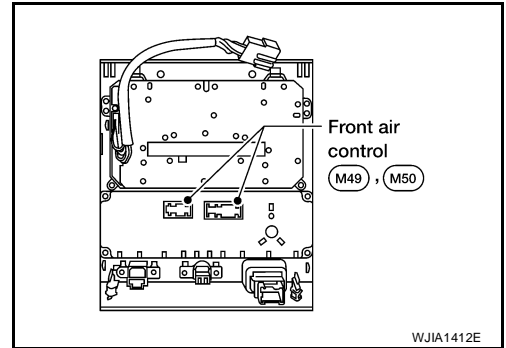
TROUBLE DIAGNOSIS

COMPONENT DESCRIPTION

Front Air Control

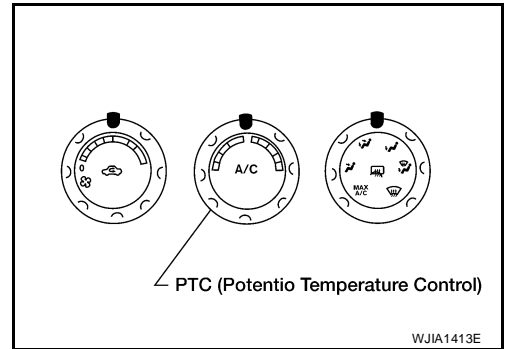
The front air control has a built-in microcomputer which processes information sent from various sensors needed for air conditioner operation. The air mix door motor (front), mode door motor, intake door motor, defroster door motor, blower motor and compressor are then controlled.

The front air control is unitized with control mechanisms. When the various switches and temperature control dial are operated, data is input to the front air control.



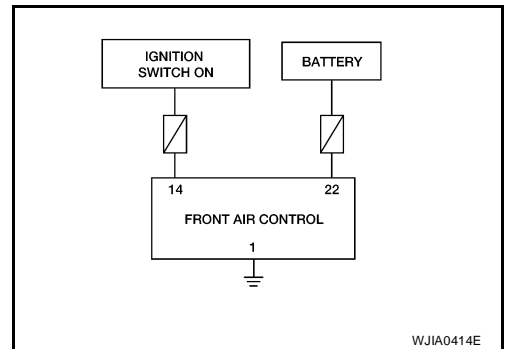
Potential Temperature Control (PTC)

The PTC is built into the front air control. It can be set from cold to hot or any intermediate position by rotating the temperature control dial.



DIAGNOSTIC PROCEDURE FOR A/C SYSTEM

SYMPTOM: A/C system does not come on.



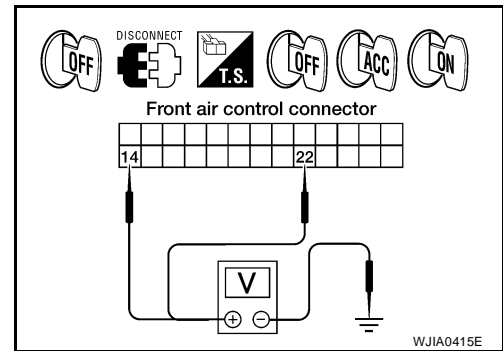
A
B
C
D
E
F
G
H
I
MTC
K
L
M

TROUBLE DIAGNOSIS

1. CHECK POWER SUPPLY CIRCUITS FOR FRONT AIR CONTROL

1. Disconnect front air control connector.
2. Check voltage between front air control harness connector M49 terminals 14 and 22, and ground.

Terminals		Ignition switch position			
(+)		(-)	OFF	ACC	ON
Front air control connector	Terminal No.				
M49	14	Ground	Approx. 0V	Approx. 0V	Battery voltage
M49	22		Battery voltage	Battery voltage	Battery voltage



OK or NG

OK >> GO TO 2.

NG >> Check 10A fuses [Nos. 8 and 19, located in the fuse block (J/B)]. Refer to [PG-80, "FUSE BLOCK-JUNCTION BOX \(J/B\)"](#).

- If fuses are OK, check harness for open circuit. Repair or replace as necessary.
- If fuses are NG, replace fuse and check harness for short circuit. Repair or replace as necessary.

2. CHECK GROUND CIRCUIT FOR FRONT AIR CONTROL

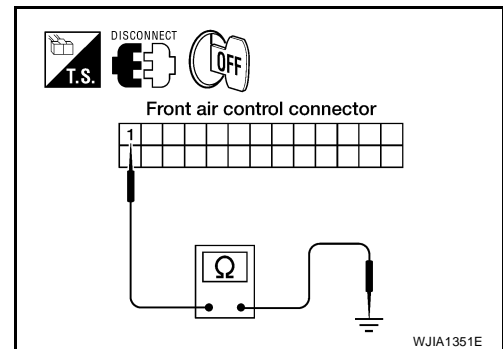
1. Turn ignition switch OFF.
2. Check continuity between front air control harness connector M49 terminal 1 and ground.

1 - Ground : Continuity should exist.

OK or NG

OK >> Replace front air control. Refer to [MTC-95, "CONTROL UNIT"](#).

NG >> Repair harness or connector as necessary.



TROUBLE DIAGNOSIS

EJS003U6

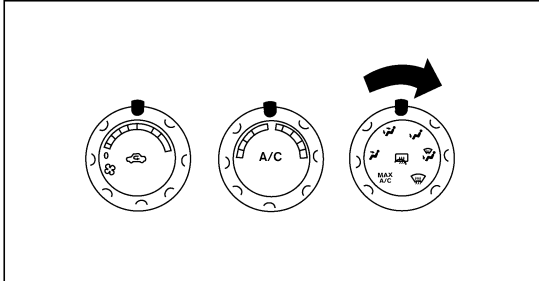
Mode Door Motor Circuit

SYMPTOM:

- Air outlet does not change.
- Mode door motor does not operate normally.

INSPECTION FLOW

1. Confirm symptom by performing the following operational check.



OPERATIONAL CHECK – Discharge air

a. Turn the mode dial four times and DEF position.

Discharge air flow

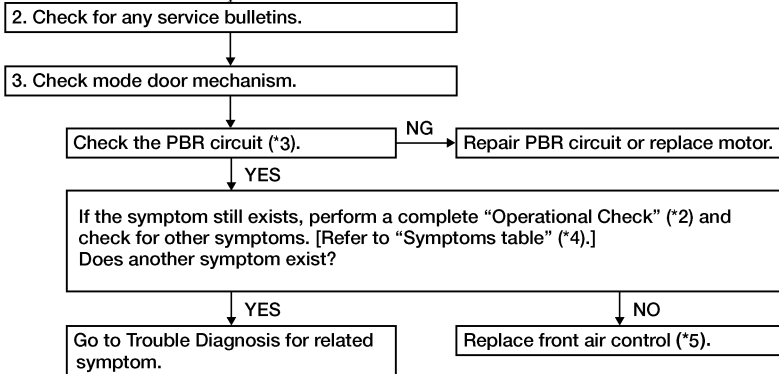
Mode door position	Air outlet/distribution		
	Vent	Foot	Defroster
	100%	–	–
	50%	50%	–
	–	100%	–
	–	60%	40%
	–	–	100%

b. Confirm that discharge air comes out according to the air distribution table at left.

Refer to “Discharge Air Flow” (*1).

NOTE:

- If OK (symptom cannot be duplicated), perform complete operational check (*2).
- If NG (symptom is confirmed), continue with STEP-2 following.
- Confirm that the compressor clutch is engaged (visual inspection) and intake door position is at FRESH when DEF or D/F is selected.



*1 [MTC-26, "Discharge Air Flow"](#)

*2 [MTC-46, "Operational Check"](#)

*3 [MTC-52, "DIAGNOSTIC PROCEDURE FOR MODE DOOR MOTOR"](#)

*4 [MTC-34, "SYMPTOM TABLE"](#)

*5 [MTC-95, "CONTROL UNIT"](#)

WJIA1926E

SYSTEM DESCRIPTION

Component Parts

Mode door control system components are:

- Front air control

A
B
C
D
E
F
G
H
I
K
L
M

MTC

TROUBLE DIAGNOSIS

- Mode door motor
- PBR (built into mode door motor)

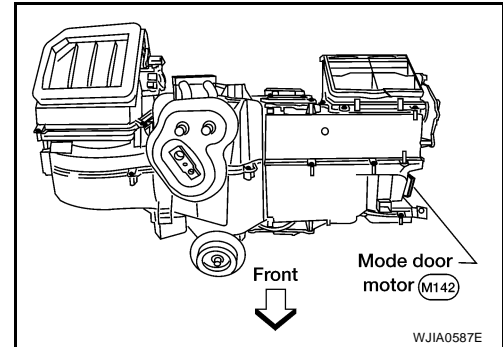
System Operation

The mode door position (vent, B/L, D/F, foot, and defrost) is set by the front air control by means of the mode door motor. When a mode door position is selected on the front air control, voltage is applied to one circuit of the mode door motor while ground is applied to the other circuit, causing the mode door motor to rotate. The direction of rotation is determined by which circuit has voltage applied to it, and which one has ground applied to it. The front air control monitors the mode door position by measuring the voltage signal on the PBR circuit.

COMPONENT DESCRIPTION

Mode Door Motor

The mode door motor is attached to the heater & cooling unit assembly. It rotates so that air is discharged from the outlet as indicated by the front air control. Motor rotation is conveyed to a link which activates the mode door.

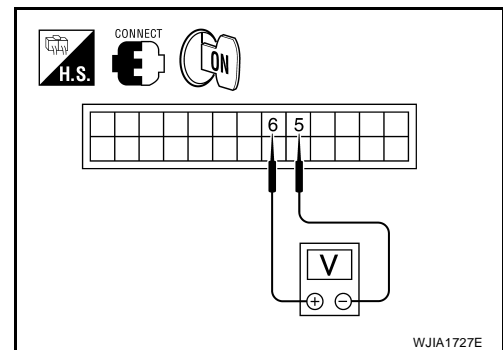


DIAGNOSTIC PROCEDURE FOR MODE DOOR MOTOR

1. CHECK FRONT AIR CONTROL FOR POWER AND GROUND

1. Turn ignition switch ON.
2. Turn the mode switch to the B/L (↺) mode.
3. Check voltage between front air control harness connector M49 terminal 5 and terminal 6 while turning the mode switch to the floor (↵) mode.

Connector	Terminals		Condition	Voltage (Approx.)
	(+)	(-)		
Front air control: M49	6	5	Turn mode switch	Battery voltage



OK or NG

- OK >> GO TO 3.
NG >> GO TO 2.

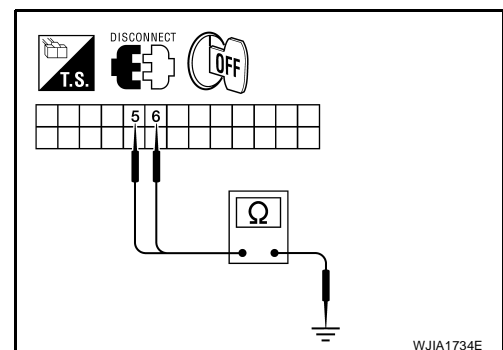
2. CHECK MODE DOOR MOTOR CIRCUITS FOR SHORT TO GROUND

1. Turn ignition switch OFF.
2. Disconnect the front air control harness connector.
3. Check continuity between front air control harness connector M49 terminal 5, 6 and ground.

- 5 - Ground : Continuity should not exist.**
6 - Ground : Continuity should not exist.

OK or NG

- OK >> Replace front air control. Refer to [MTC-95, "REMOVAL"](#)
NG >> Repair or replace harness as necessary.



TROUBLE DIAGNOSIS

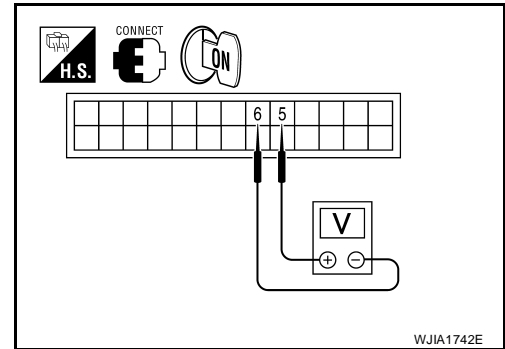
3. CHECK FRONT AIR CONTROL FOR GROUND AND POWER

1. Turn the mode switch to the D/F (D/F) mode.
2. Check voltage between front air control harness connector M49 terminal 5 and terminal 6 while turning the mode switch to the vent (V) mode.

Connector	Terminals		Condition	Voltage (Approx.)
	(+)	(-)		
Front air control: M49	5	6	Turn mode switch	Battery voltage

OK or NG

- OK >> GO TO 4.
 NG >> Replace front air control. Refer to [MTC-95, "REMOVAL"](#).



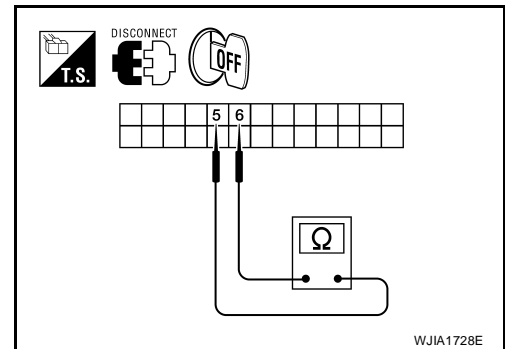
4. CHECK MODE DOOR MOTOR AND CIRCUITS FOR OPEN

1. Turn ignition switch OFF.
2. Disconnect the front air control harness connector.
3. Check continuity between front air control harness connector M49 terminal 5 and terminal 6.

Continuity should exist.

OK or NG

- OK >> GO TO 6.
 NG >> GO TO 5.



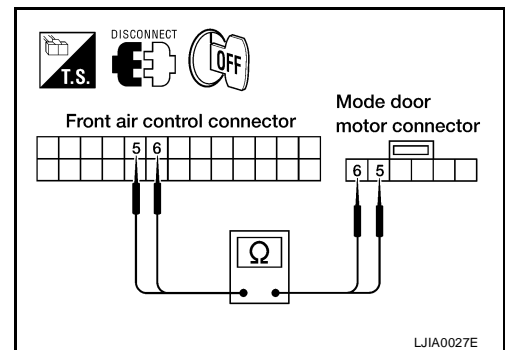
5. CHECK MODE DOOR MOTOR CIRCUITS FOR OPEN

1. Disconnect the mode door motor harness connector.
2. Check continuity between front air control harness connector M49 terminal 5, 6 and the mode door motor harness connector terminal 5, 6.

5 - 5 : Continuity should exist.
6 - 6 : Continuity should exist.

OK or NG

- OK >> Replace mode door motor. Refer to [MTC-106, "MODE DOOR MOTOR"](#).
 NG >> Repair or replace harness as necessary.



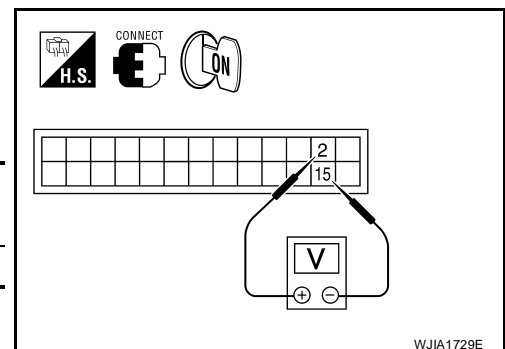
6. CHECK FRONT AIR CONTROL FOR PBR POWER AND GROUND

1. Reconnect front air control harness connector.
2. Turn ignition switch ON.
3. Check voltage between front air control harness connector M49 terminal 2 and terminal 15.

Connector	Terminals		Voltage (Approx.)
	(+)	(-)	
Front air control: M49	2	15	5V

OK or NG

- OK >> GO TO 8.
 NG >> GO TO 7.



A
B
C
D
E
F
G
H
I
MTC
K
L
M

TROUBLE DIAGNOSIS

7. CHECK PBR REFERENCE VOLTAGE CIRCUIT FOR SHORT TO GROUND

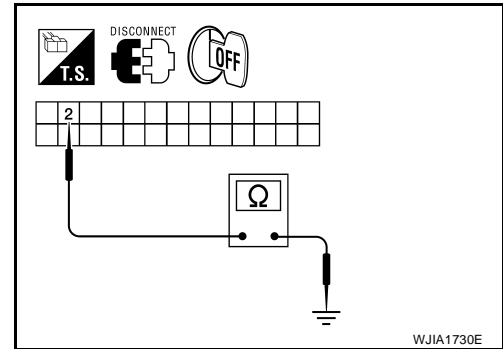
1. Turn ignition switch OFF.
2. Disconnect the front air control harness connector.
3. Check continuity between front air control harness connector M49 terminal 2 and ground.

Continuity should not exist.

OK or NG

OK >> Replace front air control. Refer to [MTC-95, "REMOVAL"](#)

NG >> Repair or replace harness as necessary.



WJIA1730E

8. CHECK PBR REFERENCE VOLTAGE AND GROUND CIRCUITS

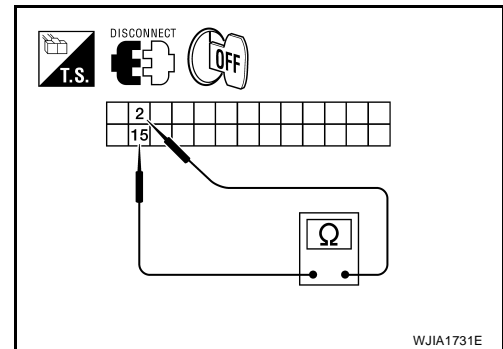
1. Turn ignition switch OFF.
2. Disconnect the front air control harness connector.
3. Check continuity between front air control harness connector M49 terminal 2 and terminal 15.

Continuity should exist.

OK or NG

OK >> GO TO 10.

NG >> GO TO 9.



WJIA1731E

9. CHECK PBR REFERENCE VOLTAGE CIRCUIT FOR OPEN

1. Disconnect the mode door motor harness connector.
2. Check continuity between mode door motor harness connector M142 (B) terminal 3, 1 and front air control harness connector M49 (A) terminal 2, 15.

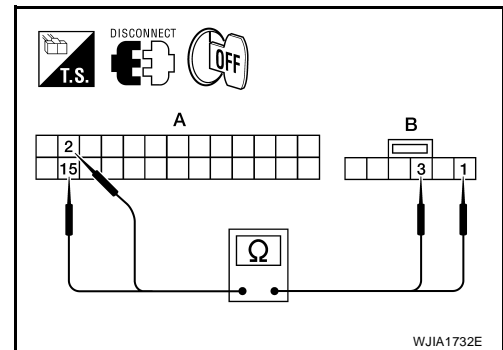
2 - 3 : Continuity should exist.

15 - 1 : Continuity should exist.

OK or NG

OK >> Replace mode door motor. Refer to [MTC-106, "MODE DOOR MOTOR"](#).

NG >> Repair or replace harness as necessary.



WJIA1732E

10. CHECK PBR FEEDBACK VOLTAGE

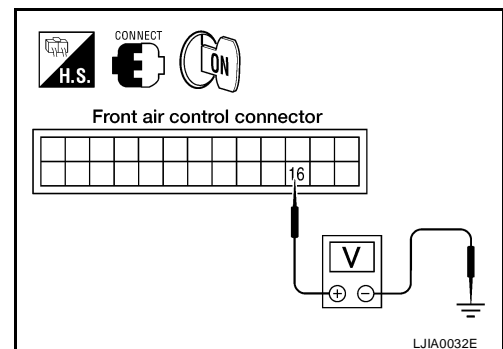
1. Reconnect the front air control harness connector.
2. Turn ignition switch ON.
3. Check voltage between front air control harness connector M49 terminal 16 and ground while cycling mode switch through all modes.

Voltage : Approx. 1V - 4.5V

OK or NG

OK >> GO TO 12.

NG >> GO TO 11.



LJIA0032E

TROUBLE DIAGNOSIS

11. CHECK PBR FEEDBACK SIGNAL CIRCUIT FOR SHORT TO GROUND

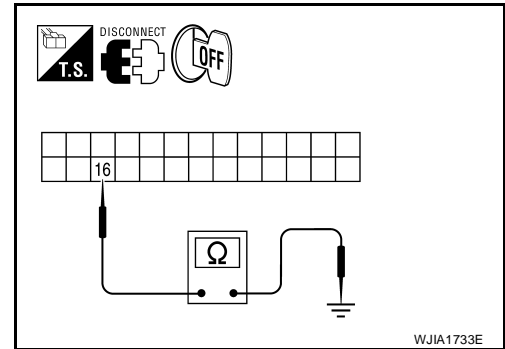
1. Turn ignition switch OFF.
2. Disconnect front air control harness connector.
3. Check continuity between front air control harness connector M49 terminal 16 and ground.

Continuity should not exist.

OK or NG

OK >> Replace front air control. Refer to [MTC-95, "REMOVAL"](#)

NG >> Repair or replace harness as necessary.



12. CHECK PBR FEEDBACK CIRCUIT FOR OPEN

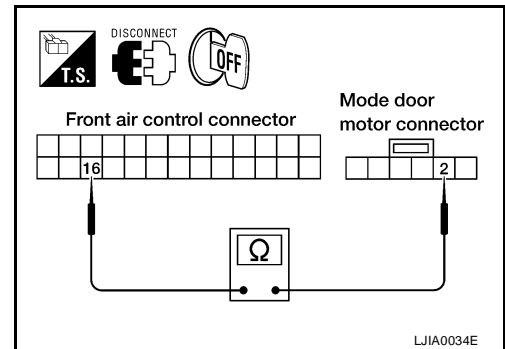
1. Turn ignition switch OFF.
2. Disconnect the mode door motor harness connector and front air control harness connector.
3. Check continuity between mode door motor harness connector M142 terminal 2 and front air control harness connector M49 terminal 16.

Continuity should exist.

OK or NG

OK >> Replace mode door motor. Refer to [MTC-106, "MODE DOOR MOTOR"](#).

NG >> Repair or replace harness as necessary.



A
B
C
D
E
F
G
H
I
K
L
M

MTC

TROUBLE DIAGNOSIS

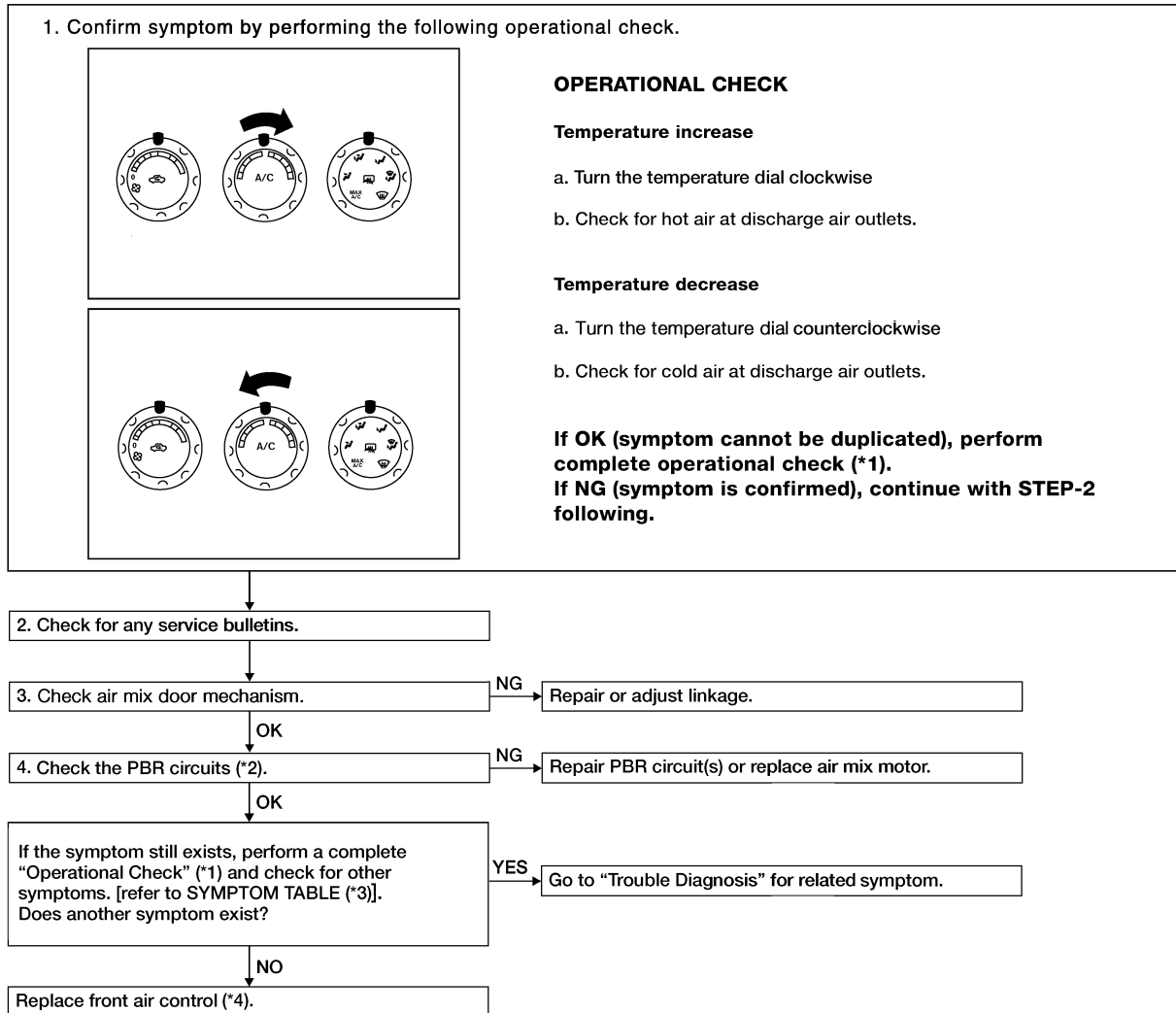
EJS003U7

Air Mix Door Motor Circuit

SYMPTOM:

- Discharge air temperature does not change.
- Air mix door motor (front) does not operate.

INSPECTION FLOW



*1 [MTC-46, "Operational Check"](#)

*2 [MTC-57, "DIAGNOSTIC PROCEDURE FOR AIR MIX DOOR MOTOR \(FRONT\)"](#)

*3 [MTC-34, "SYMPTOM TABLE"](#)

*4 [MTC-95, "CONTROL UNIT"](#)

WJIA1927E

TROUBLE DIAGNOSIS

SYSTEM DESCRIPTION

Component Parts

Air mix door control system components are:

- Front air control
- Air mix door motor (front)
- PBR (built-into air mix motor)

System Operation

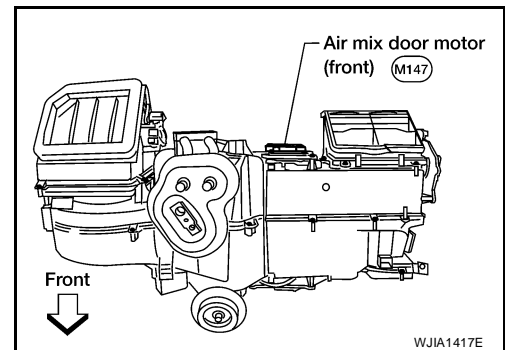
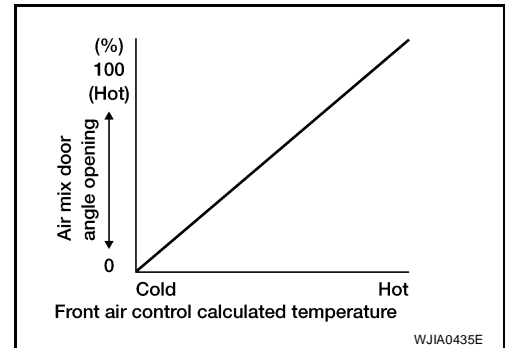
The front air control receives data from the temperature selected by the driver. The front air control then applies a voltage to one circuit of the appropriate air mix door motor (front), while ground is applied to the other circuit, causing the appropriate air mix door motor (front) to rotate. The direction of rotation is determined by which circuit has voltage applied to it, and which one has ground applied to it. The front air control monitors the air mix door positions by measuring the voltage signal on the PBR circuits of each door.

Air Mix Door Control Specification

COMPONENT DESCRIPTION

Air Mix Door Motor (Front)

The front air mix door motor is attached to the front heater & cooling unit assembly. This motor rotates so that the air mix door is opened or closed to a position set by the front air control. Motor rotation is then conveyed through a shaft and the air mix door position is then fed back to the front air control by the PBR built into the air mix door motor (front).

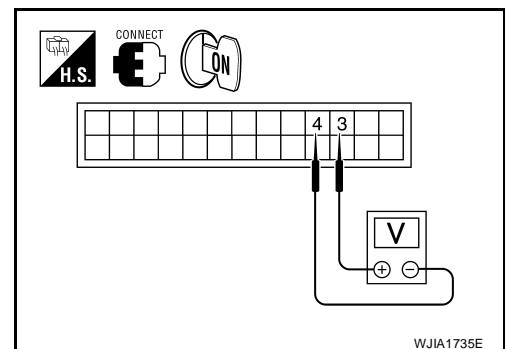


DIAGNOSTIC PROCEDURE FOR AIR MIX DOOR MOTOR (FRONT)

1. CHECK FRONT AIR CONTROL FOR POWER AND GROUND

1. Turn ignition switch ON.
2. Rotate temperature control dial (front) to maximum heat.
3. Check voltage between front air control harness connector M49 terminal 3 and terminal 4 while rotating temperature control dial (front) to maximum cold.

Connector	Terminals		Condition	Voltage (Approx.)
	(+)	(-)		
Front air control: M49	3	4	Rotate temp control dial	Battery voltage



OK or NG

- OK >> GO TO 3.
 NG >> GO TO 2.

TROUBLE DIAGNOSIS

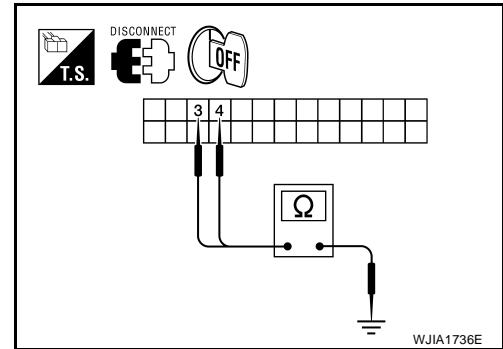
2. CHECK AIR MIX DOOR MOTOR (FRONT) CIRCUITS FOR SHORT TO GROUND

1. Turn ignition switch OFF.
2. Disconnect the front air control harness connector.
3. Check continuity between front air control harness connector M49 terminal 3, 4 and ground.

3 - Ground : Continuity should not exist.
4 - Ground : Continuity should not exist.

OK or NG

- OK >> Replace front air control. Refer to [MTC-95, "Removal and Installation"](#) .
 NG >> Repair or replace harness as necessary.



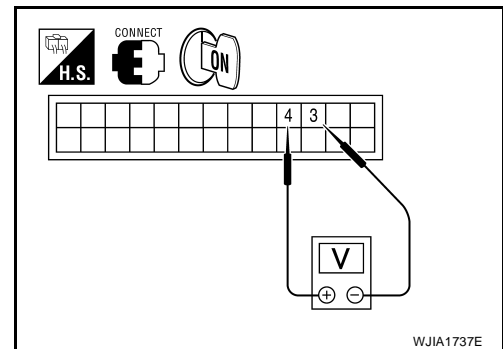
3. CHECK FRONT AIR CONTROL FOR POWER AND GROUND

1. Rotate temperature control dial (front) to maximum heat.
2. Check voltage between front air control harness connector M49 terminal 3 and terminal 4 while rotating temperature control dial (front) to maximum cold.

Connector	Terminals		Condition	Voltage (Approx.)
	(+)	(-)		
Front air control: M49	4	3	Rotate temp control dial	Battery voltage

OK or NG

- OK >> GO TO 4.
 NG >> Replace front air control. Refer to [MTC-95, "Removal and Installation"](#) .



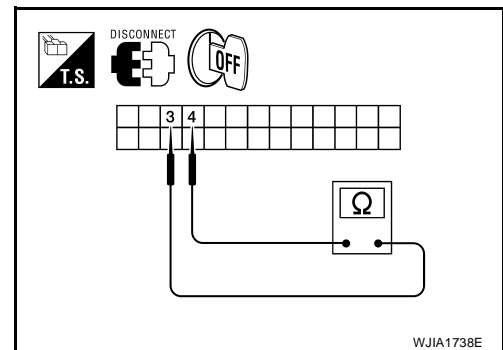
4. CHECK AIR MIX DOOR MOTOR (FRONT) CIRCUITS FOR OPEN

1. Turn ignition switch OFF.
2. Disconnect the front air control harness connector.
3. Check continuity between front air control harness connector M49 terminal 3 and terminal 4.

Continuity should exist.

OK or NG

- OK >> GO TO 6.
 NG >> GO TO 5.



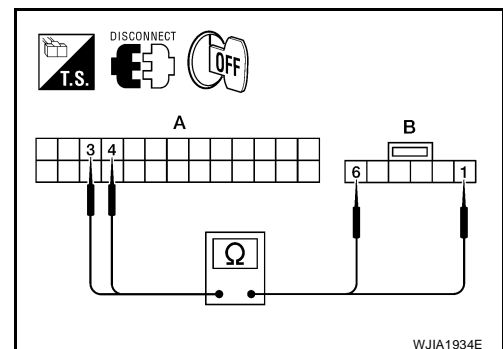
5. CHECK AIR MIX DOOR MOTOR (FRONT) CIRCUITS FOR OPEN

1. Disconnect the air mix door motor (front) harness connector.
2. Check continuity between front air control harness connector M49 (A) terminal 3, 4 and the air mix door motor (front) harness connector M147 (B) terminal 1, 6.

3 - 1 : Continuity should exist.
4 - 6 : Continuity should exist.

OK or NG

- OK >> Replace air mix door motor (front). Refer to [MTC-107, "Removal and Installation"](#) .
 NG >> Repair or replace harness as necessary.



TROUBLE DIAGNOSIS

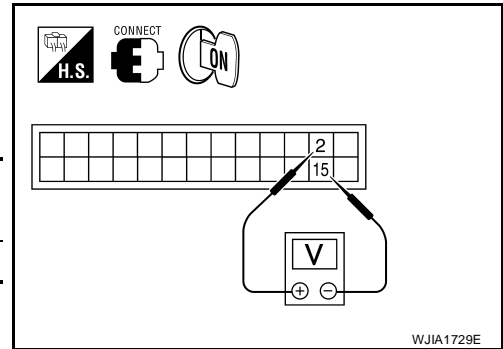
6. CHECK FRONT AIR CONTROL FOR PBR POWER AND GROUND

1. Reconnect front air control harness connector.
2. Turn ignition switch ON.
3. Check voltage between front air control harness connector M49 terminal 2 and terminal 15.

Connector	Terminals		Voltage (Approx.)
	(+)	(-)	
Front air control: M49	2	15	5V

OK or NG

- OK >> GO TO 8.
 NG >> GO TO 7.



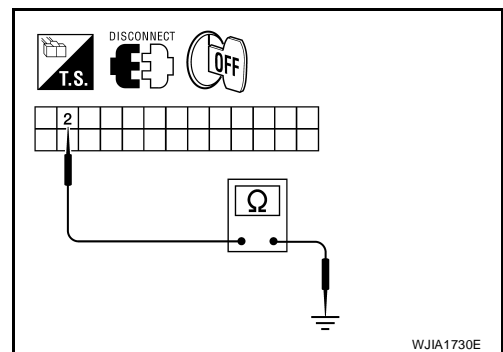
7. CHECK PBR REFERENCE VOLTAGE CIRCUIT FOR SHORT TO GROUND

1. Turn ignition switch OFF.
2. Disconnect the front air control harness connector.
3. Check continuity between front air control harness connector M49 terminal 2 and ground.

Continuity should not exist.

OK or NG

- OK >> Replace front air control. Refer to [MTC-95, "Removal and Installation"](#) .
 NG >> Repair or replace harness as necessary.



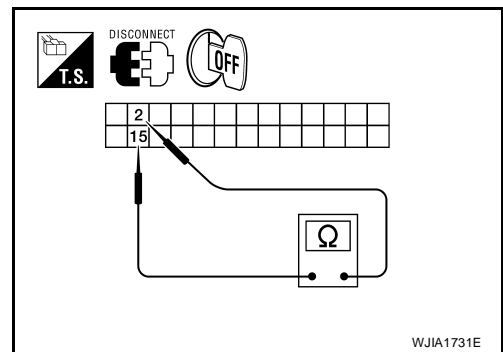
8. CHECK PBR REFERENCE VOLTAGE AND GROUND CIRCUITS

1. Turn ignition switch OFF.
2. Disconnect the front air control harness connector.
3. Check continuity between front air control harness connector M49 terminal 2 and terminal 15.

Continuity should exist.

OK or NG

- OK >> GO TO 10.
 NG >> GO TO 9.



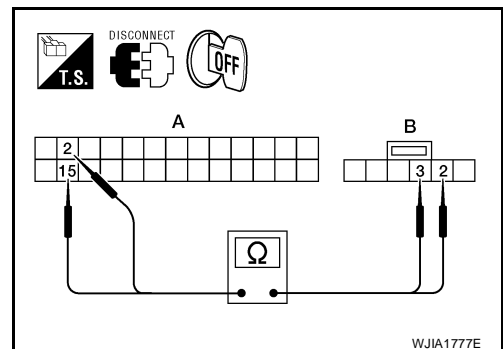
9. CHECK PBR REFERENCE VOLTAGE CIRCUIT FOR OPEN

1. Disconnect the air mix door motor (front) harness connector.
2. Check continuity between air mix door motor (front) harness connector M147 (B) terminal 3, 2 and front air control harness connector M49 (A) terminal 2, 15.

2 - 3 : Continuity should exist.
 15 - 2 : Continuity should exist.

OK or NG

- OK >> Replace air mix door motor (front). Refer to [MTC-107, "Removal and Installation"](#) .
 NG >> Repair or replace harness as necessary.



A
B
C
D
E
F
G
H
I
MTC
K
L
M

TROUBLE DIAGNOSIS

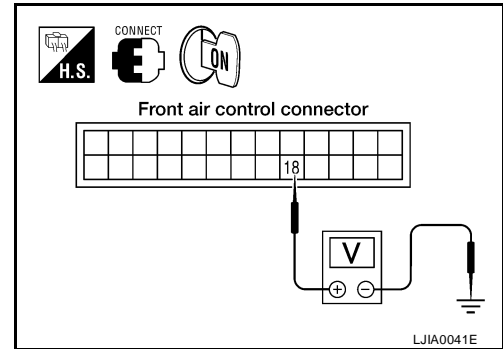
10. CHECK PBR FEEDBACK VOLTAGE

1. Reconnect the front air control harness connector.
2. Turn ignition switch ON.
3. Check voltage between front air control harness connector M49 terminal 18 and ground while rotating temperature control dial from maximum heat to maximum cold.

Voltage : Approx. .5V - 4.5V

OK or NG

- OK >> GO TO 12.
NG >> GO TO 11.



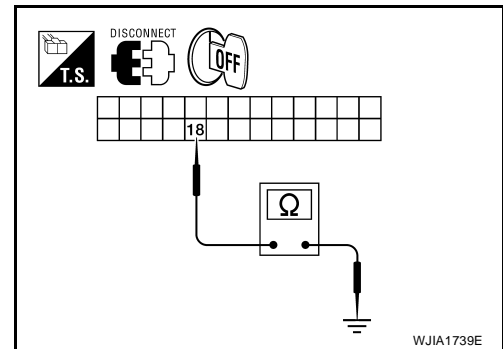
11. CHECK PBR FEEDBACK SIGNAL CIRCUIT FOR SHORT TO GROUND

1. Turn ignition switch OFF.
2. Disconnect front air control harness connector.
3. Check continuity between front air control harness connector M49 terminal 18 and ground.

Continuity should not exist.

OK or NG

- OK >> Replace front air control. Refer to [MTC-95, "Removal and Installation"](#) .
NG >> Repair or replace harness as necessary.



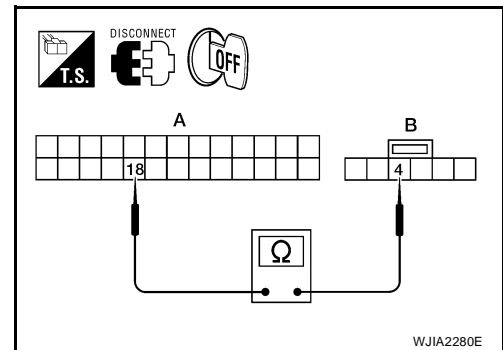
12. CHECK PBR FEEDBACK CIRCUIT FOR OPEN

1. Turn ignition switch OFF.
2. Disconnect the air mix door motor (front) harness connector and front air control harness connector.
3. Check continuity between air mix door motor (front) harness connector M147 (B) terminal 4 and front air control harness connector M49 (A) terminal 18.

Continuity should exist.

OK or NG

- OK >> Replace air mix door motor (front). Refer to [MTC-107, "Removal and Installation"](#) .
NG >> Repair or replace harness as necessary.



TROUBLE DIAGNOSIS

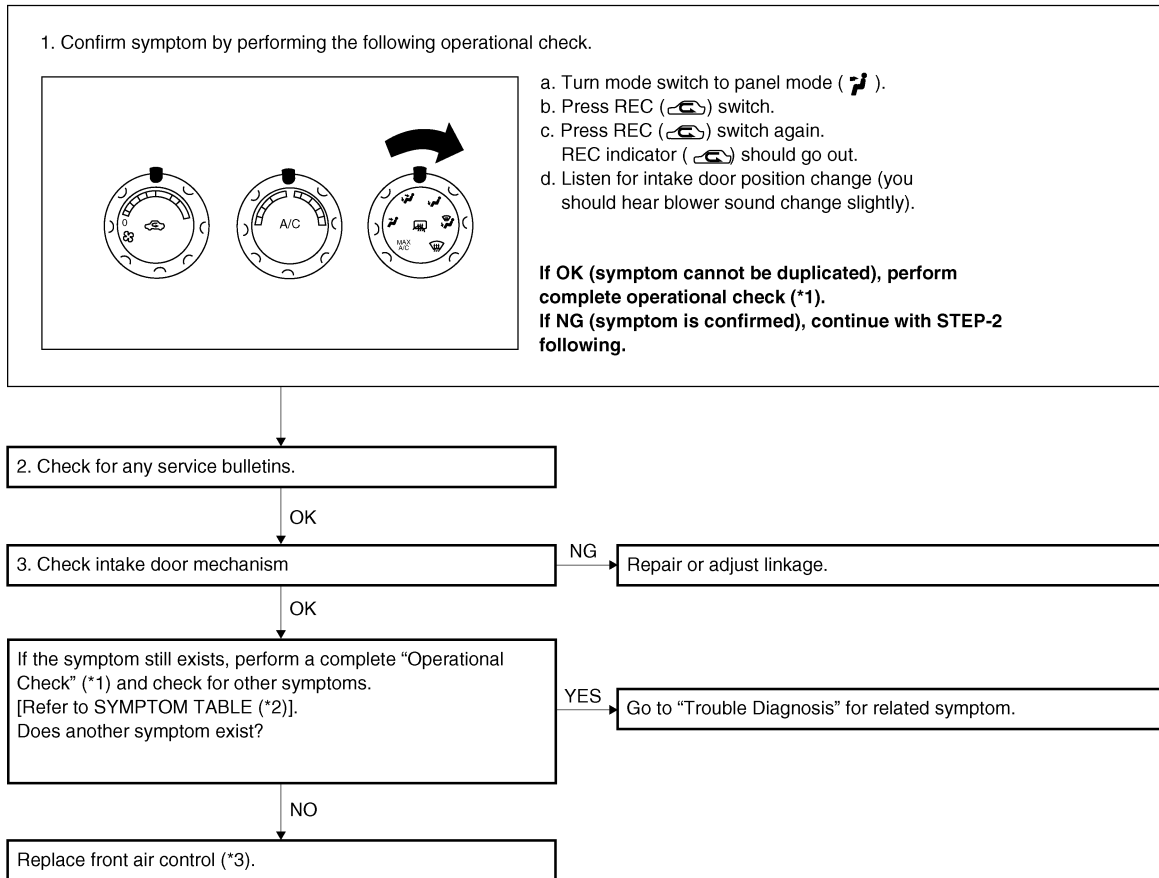
EJS003U8

Intake Door Motor Circuit

SYMPTOM:

- Intake door does not change.
- Intake door motor does not operate normally.

INSPECTION FLOW



*1 [MTC-46, "Operational Check"](#)

*2 [MTC-34, "SYMPTOM TABLE"](#)

*3 [MTC-95, "CONTROL UNIT"](#)

WJIA1928E

TROUBLE DIAGNOSIS

SYSTEM DESCRIPTION

Component Parts

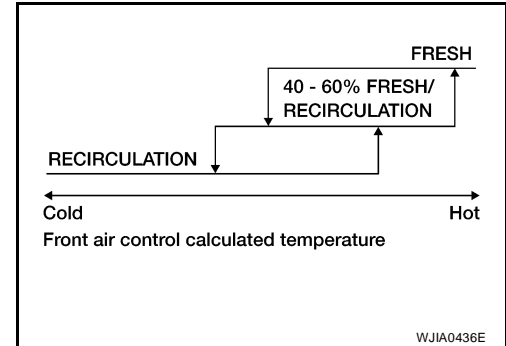
Intake door control system components are:

- Front air control
- Intake door motor

System Operation

The intake door control determines the intake door positions based on the position of the recirculation switch. When the recirculation switch is depressed the intake door motor rotates closing off the fresh air inlet and recirculating the cabin air. If the recirculation switch is depressed again, the intake door motor rotates in the opposite direction, again allowing fresh air into the cabin.

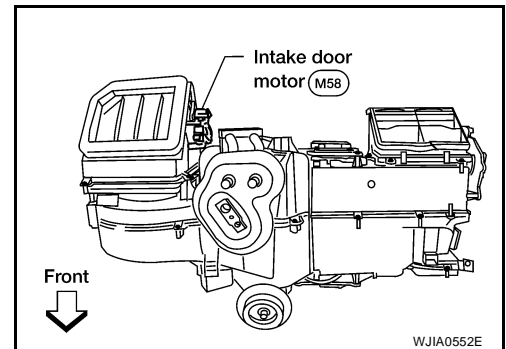
Intake Doors Control Specification



COMPONENT DESCRIPTION

Intake door motor

The intake door motor is attached to the intake unit. It rotates so that air is drawn from inlets set by the front air control. Motor rotation is conveyed to a lever which activates the intake door.




TROUBLE DIAGNOSIS

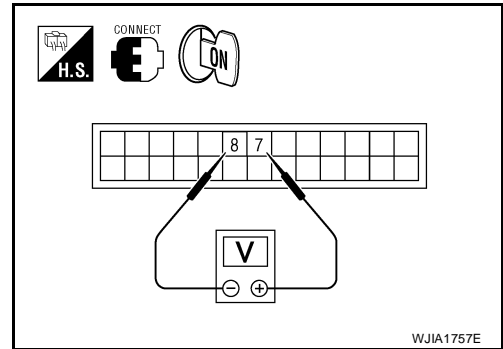
DIAGNOSTIC PROCEDURE FOR INTAKE DOOR MOTOR

1. CHECK FRONT AIR CONTROL FOR POWER AND GROUND

1. Turn ignition switch ON.
2. Check voltage between front air control harness connector M49 terminal 7 and terminal 8 while placing the HVAC system into the front air control motor drive test.

NOTE:

To enter the front air control motor drive test, press and hold all three HVAC control buttons for three seconds until all the lights come on. Then press the REC () button.



Connector	Terminals		Condition	Voltage (Approx.)
	(+)	(-)		
Front air control: M49	7	8	Front air control motor drive test	Battery voltage

OK or NG

- OK >> GO TO 3.
- NG >> GO TO 2.

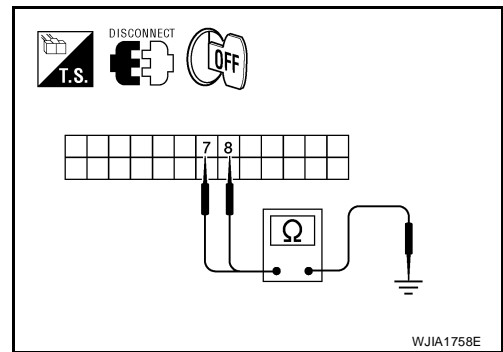
2. CHECK INTAKE DOOR MOTOR CIRCUITS FOR SHORT TO GROUND

1. Turn ignition switch OFF.
2. Disconnect the front air control harness connector.
3. Check continuity between front air control harness connector M49 terminal 7, 8 and ground.

- 7 - Ground : Continuity should not exist.**
- 8 - Ground : Continuity should not exist.**

OK or NG

- OK >> Replace front air control. Refer to [MTC-95, "Removal and Installation"](#) .
- NG >> Repair or replace harness as necessary.



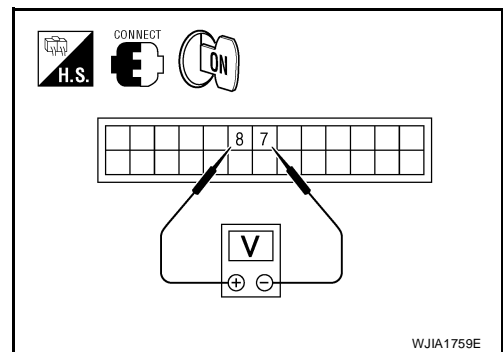
3. CHECK FRONT AIR CONTROL FOR GROUND AND POWER

1. Turn ignition switch OFF.
2. Check voltage between front air control harness connector M49 terminal 7 and terminal 8 while placing the HVAC system into front air control motor drive test.

Connector	Terminals		Condition	Voltage (Approx.)
	(+)	(-)		
Front air control: M49	8	7	Front air control motor drive test	Battery voltage

OK or NG

- OK >> GO TO 4.
- NG >> Replace front air control. Refer to [MTC-95, "Removal and Installation"](#) .



A
B
C
D
E
F
G
H
I
MTC
K
L
M

TROUBLE DIAGNOSIS

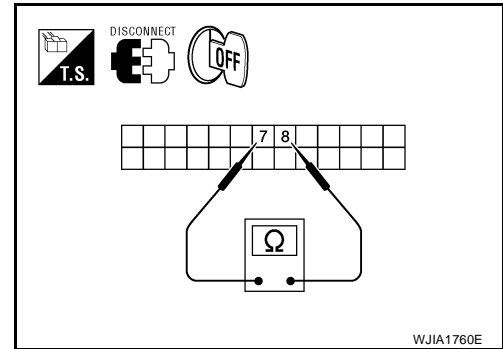
4. CHECK INTAKE DOOR MOTOR AND CIRCUITS FOR OPEN

1. Turn ignition switch OFF.
2. Disconnect the front air control harness connector.
3. Check continuity between front air control harness connector M49 terminal 7 and terminal 8.

Continuity should exist.

OK or NG

- OK >> Replace intake door motor. Refer to [MTC-105, "INTAKE DOOR MOTOR"](#).
- NG >> GO TO 5.



5. CHECK INTAKE DOOR MOTOR CIRCUITS FOR OPEN

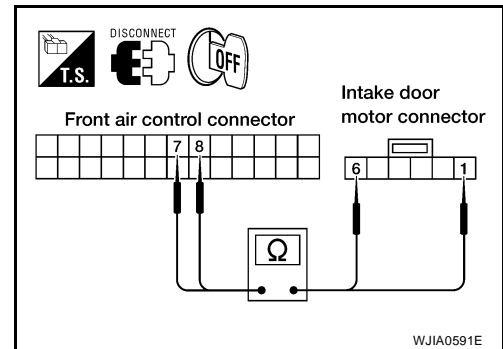
1. Disconnect the intake door motor harness connector.
2. Check continuity between front air control harness connector M49 terminal 7, 8 and the intake door motor harness connector terminal 1, 6.

1 - 7 : Continuity should exist.

6 - 8 : Continuity should exist.

OK or NG

- OK >> Replace intake door motor. Refer to [MTC-105, "INTAKE DOOR MOTOR"](#).
- NG >> Repair or replace harness as necessary.



TROUBLE DIAGNOSIS

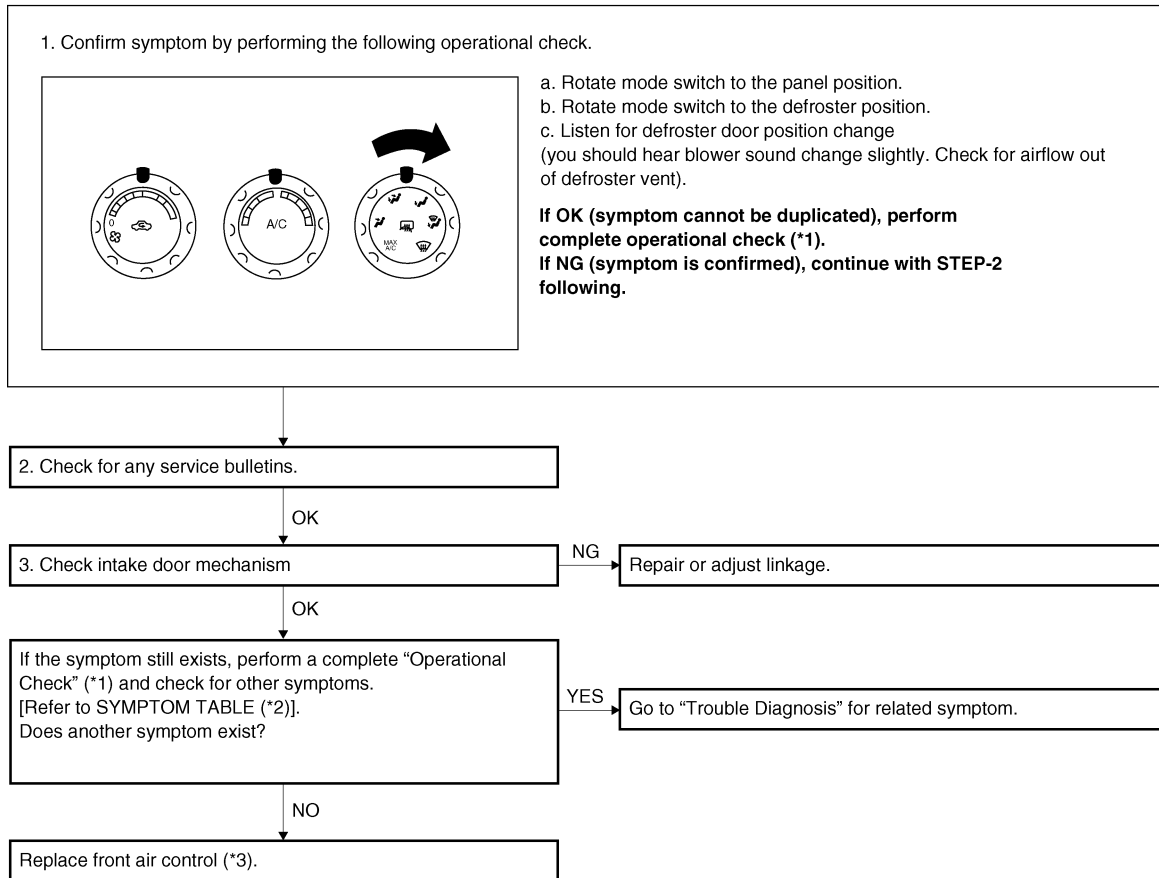
EJS003U9

Defroster Door Motor Circuit

SYMPTOM:

- Defroster door does not change.
- Defroster door motor does not operate normally.

INSPECTION FLOW



*1 [MTC-46, "Operational Check"](#)

*2 [MTC-34, "SYMPTOM TABLE"](#)

*3 [MTC-95, "CONTROL UNIT"](#)

WJIA1929E

TROUBLE DIAGNOSIS

SYSTEM DESCRIPTION

Component Parts

Defroster door control system components are:

- Front air control
- Defroster door motor
- PBR (built into defroster door motor)

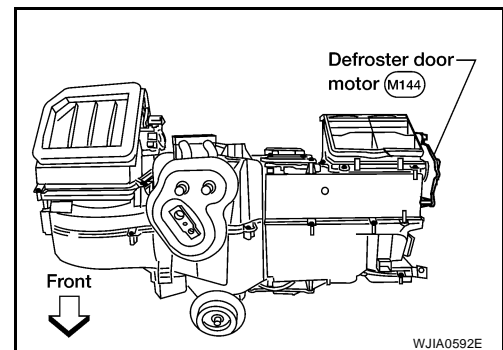
System Operation

The front air control determines defroster door position based on the position of the mode switch. When the mode switch is in the defroster position, the defroster door motor rotates directing air to the defroster ducts. When any mode other than defroster is selected, the defroster motor rotates in the opposite direction closing off air flow to the defroster ducts.

COMPONENT DESCRIPTION

Defroster door motor

The defroster door motor is attached to the front heater & cooling unit assembly. The front air control sends a voltage to rotate the defroster door directing the air flow either to the defroster ducts, or to the floor ducts, depending on which way the voltage and ground are applied to the motor leads. Motor rotation is conveyed to a lever which activates the defroster door.

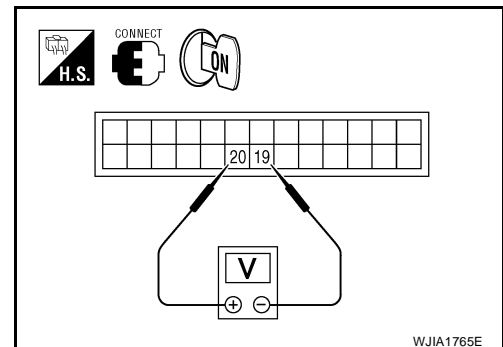


DIAGNOSTIC PROCEDURE FOR DEFROSTER DOOR MOTOR

1. CHECK FRONT AIR CONTROL FOR POWER AND GROUND

1. Turn ignition switch ON.
2. Press the defroster switch (☐).
3. Check voltage between front air control harness connector M49 terminal 20 and terminal 19 and press the defroster switch (☐) again.

Connector	Terminals		Condition	Voltage (Approx.)
	(+)	(-)		
Front air control: M49	20	19	Press defroster switch	Battery voltage



OK or NG

- OK >> GO TO 3.
NG >> GO TO 2.

TROUBLE DIAGNOSIS

2. CHECK DEFROSTER DOOR MOTOR CIRCUITS FOR SHORT TO GROUND

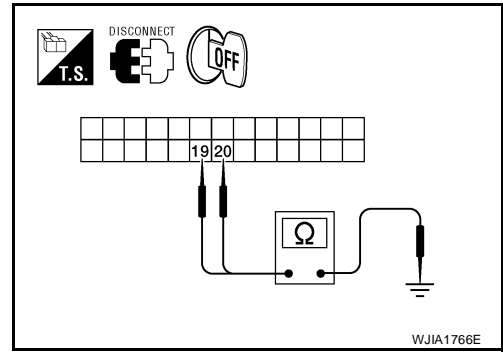
1. Turn ignition switch OFF.
2. Disconnect the front air control harness connector.
3. Check continuity between front air control harness connector M49 terminal 19, 20 and ground.

19 - Ground : Continuity should not exist.
20 - Ground : Continuity should not exist.

OK or NG

OK >> Replace front air control. Refer to [MTC-95, "REMOVAL"](#)

NG >> Repair or replace harness as necessary.



3. CHECK FRONT AIR CONTROL FOR GROUND AND POWER

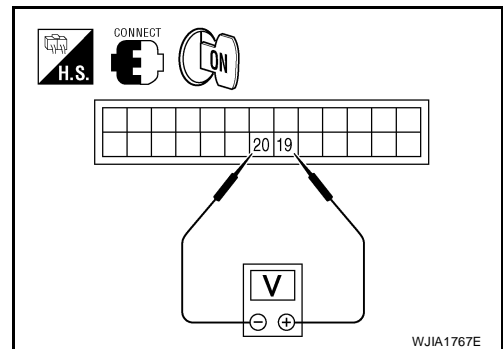
1. Press the defroster switch (☞).
2. Check voltage between front air control harness connector M49 terminal 19 and terminal 20 and press the defroster switch (☞) again.

Connector	Terminals		Condition	Voltage (Approx.)
	(+)	(-)		
Front air control: M49	19	20	Press defroster switch	Battery voltage

OK or NG

OK >> GO TO 4.

NG >> Replace front air control. Refer to [MTC-95, "REMOVAL"](#).



4. CHECK DEFROSTER DOOR MOTOR AND CIRCUITS FOR OPEN

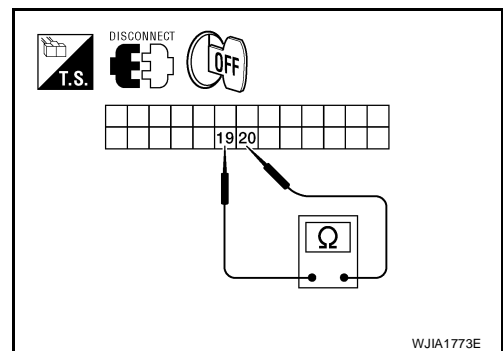
1. Turn ignition switch OFF.
2. Disconnect the front air control harness connector.
3. Check continuity between front air control harness connector M49 terminal 19 and terminal 20.

Continuity should exist.

OK or NG6

OK >> GO TO 6.

NG >> GO TO 5.



5. CHECK DEFROSTER DOOR MOTOR CIRCUITS FOR OPEN

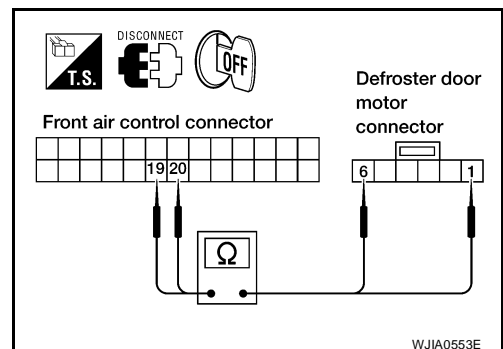
1. Disconnect the defroster door motor harness connector.
2. Check continuity between front air control harness connector M49 terminal 19, 20 and the defroster door motor harness connector terminal 1, 6.

19 - 1 : Continuity should exist.
20 - 6 : Continuity should exist.

OK or NG

OK >> Replace defroster door motor. Refer to [MTC-104, "DEFROSTER DOOR MOTOR"](#).

NG >> Repair or replace harness as necessary.



A
B
C
D
E
F
G
H
I
K
L
M

MTC

TROUBLE DIAGNOSIS

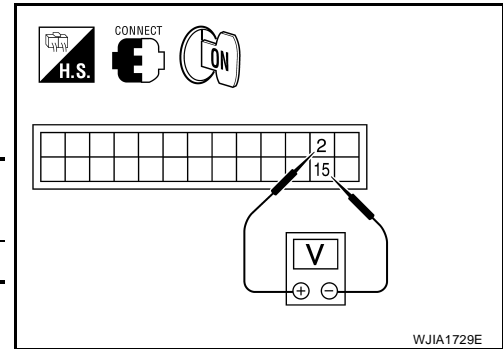
6. CHECK FRONT AIR CONTROL FOR PBR POWER AND GROUND

1. Reconnect front air control harness connector.
2. Turn ignition switch ON.
3. Check voltage between front air control harness connector M49 terminal 2 and terminal 15.

Connector	Terminals		Voltage (Approx.)
	(+)	(-)	
Front air control: M49	2	15	5V

OK or NG

- OK >> GO TO 8.
 NG >> GO TO 7.



WJIA1729E

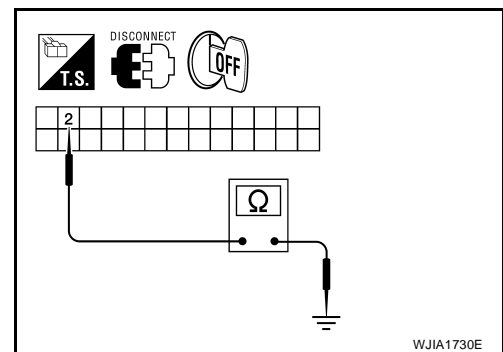
7. CHECK PBR REFERENCE VOLTAGE CIRCUIT FOR SHORT TO GROUND

1. Turn ignition switch OFF.
2. Disconnect the front air control harness connector.
3. Check continuity between front air control harness connector M49 terminal 2 and ground.

Continuity should not exist.

OK or NG

- OK >> Replace front air control. Refer to [MTC-95, "REMOVAL"](#)
 NG >> Repair or replace harness as necessary.



WJIA1730E

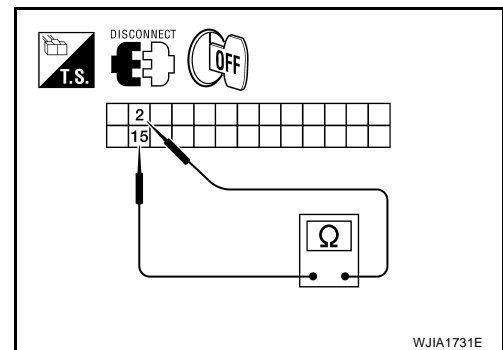
8. CHECK PBR REFERENCE VOLTAGE AND GROUND CIRCUITS

1. Turn ignition switch OFF.
2. Disconnect the front air control harness connector.
3. Check continuity between front air control harness connector M49 terminal 2 and terminal 15.

Continuity should exist.

OK or NG

- OK >> GO TO 10.
 NG >> GO TO 9.



WJIA1731E

9. CHECK PBR REFERENCE VOLTAGE CIRCUIT FOR OPEN

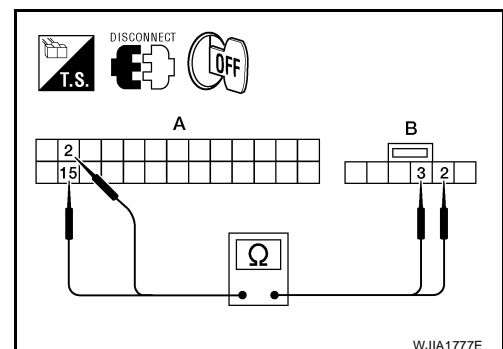
1. Disconnect the defroster door motor harness connector.
2. Check continuity between defroster door motor harness connector M144 (B) terminal 3, 2 and front air control harness connector M49 (A) terminal 2, 15.

2 - 3 : Continuity should exist.

15 - 2 : Continuity should exist.

OK or NG

- OK >> Replace defroster door motor. Refer to [MTC-104, "DEFROSTER DOOR MOTOR"](#).
 NG >> Repair or replace harness as necessary.



WJIA1777E

TROUBLE DIAGNOSIS

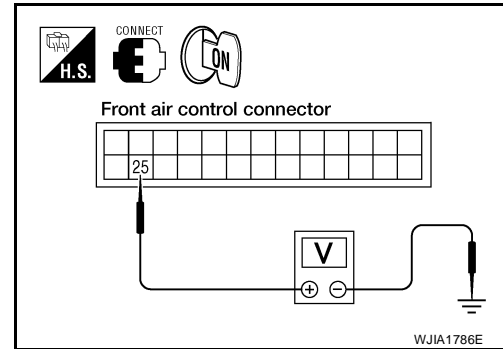
10. CHECK PBR FEEDBACK VOLTAGE

1. Reconnect the front air control harness connector.
2. Turn ignition switch ON.
3. Check voltage between front air control harness connector M49 terminal 25 and ground while cycling defroster switch on and off.

Voltage : **Approx. 1V - 4.5V**

OK or NG

- OK >> GO TO 12.
NG >> GO TO 11.



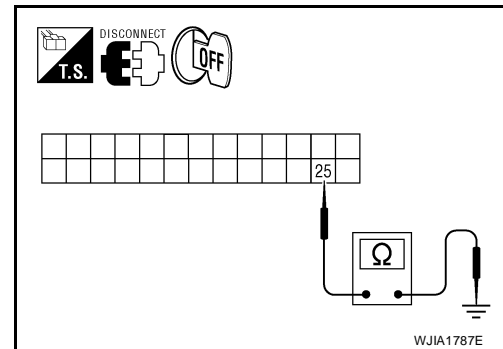
11. CHECK PBR FEEDBACK SIGNAL CIRCUIT FOR SHORT TO GROUND

1. Turn ignition switch OFF.
2. Disconnect front air control harness connector.
3. Check continuity between front air control harness connector M49 terminal 25 and ground.

Continuity should not exist.

OK or NG

- OK >> Replace front air control. Refer to [MTC-95, "REMOVAL"](#)
- NG >> Repair or replace harness as necessary.



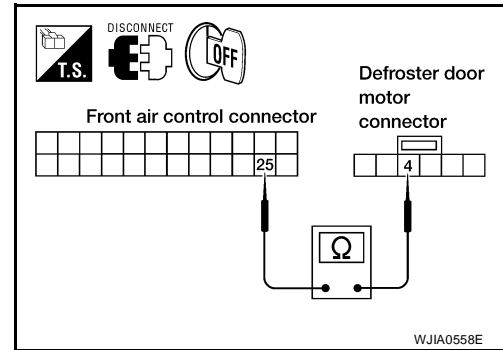
12. CHECK PBR FEEDBACK CIRCUIT FOR OPEN

1. Turn ignition switch OFF.
2. Disconnect the defroster door motor harness connector and front air control harness connector.
3. Check continuity between defroster door motor harness connector M144 terminal 4 and front air control harness connector M49 terminal 25

Continuity should exist.

OK or NG

- OK >> Replace defroster door motor. Refer to [MTC-104, "DEFROSTER DOOR MOTOR"](#).
- NG >> Repair or replace harness as necessary.



A
B
C
D
E
F
G
H
I
MTC
K
L
M

TROUBLE DIAGNOSIS

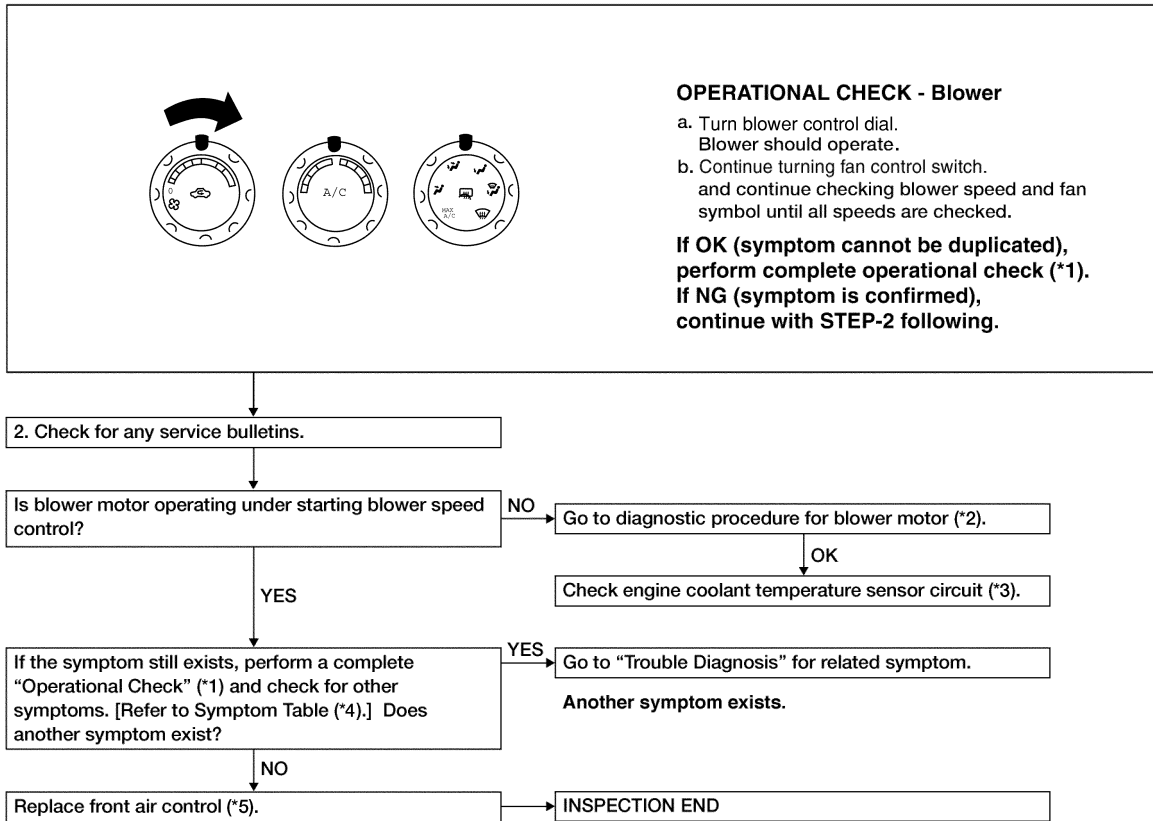
EJS003UA

Front Blower Motor Circuit

SYMPTOM:

- Blower motor operation is malfunctioning.

INSPECTION FLOW



*1 [MTC-46, "Operational Check"](#)

*2 [MTC-72, "DIAGNOSTIC PROCEDURE FOR BLOWER MOTOR"](#)

*3 [EC-198, "DTC P0117, P0118 ECT SENSOR" EC-211, "DTC P0125 ECT SENSOR"](#)

*4 [MTC-34, "SYMPTOM TABLE"](#)

*5 [MTC-95, "CONTROL UNIT"](#)

WJIA1930E

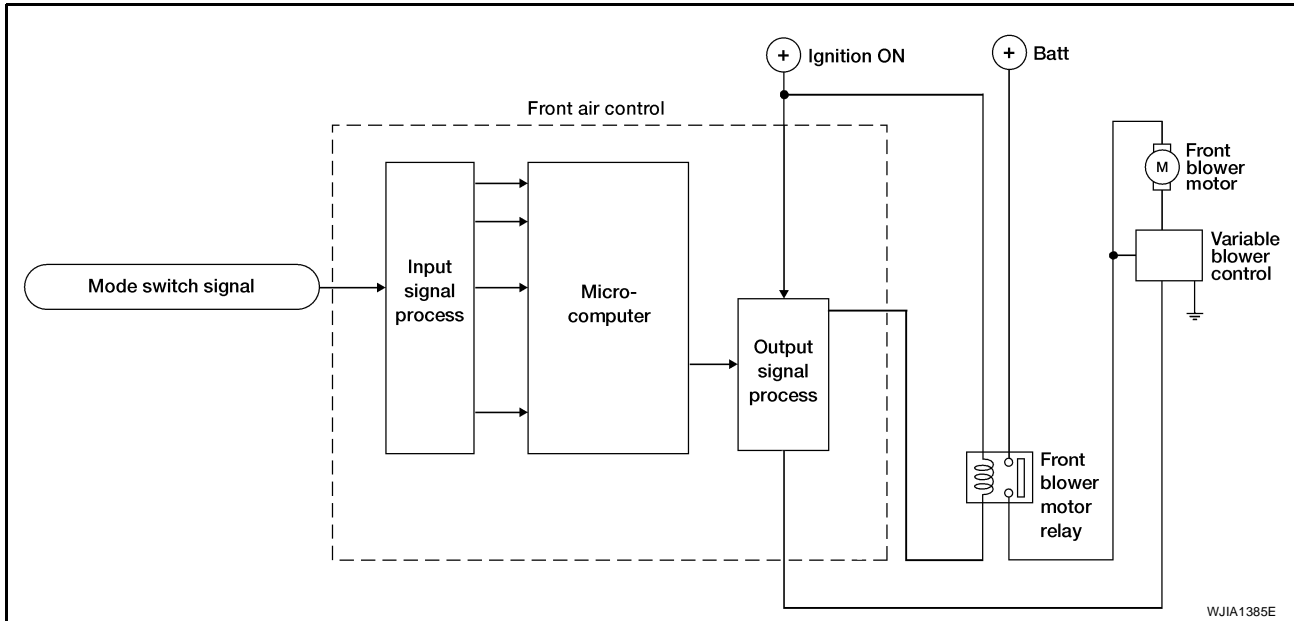
TROUBLE DIAGNOSIS

SYSTEM DESCRIPTION

Component Parts

- Front air control
- Front blower switch
- Variable blower control
- Front blower motor
- Front blower motor relay

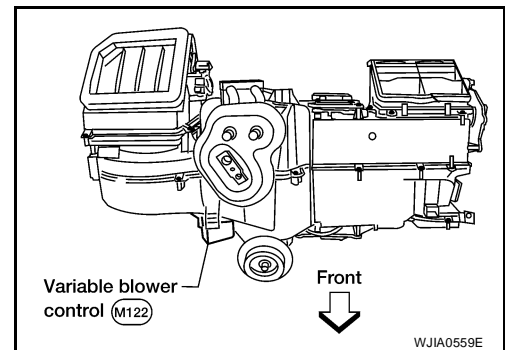
System Operation



COMPONENT DESCRIPTION

Variable Blower Control

The variable blower control is located on the heater and cooling unit assembly. The variable blower control receives a gate voltage from the front air control to steplessly maintain the blower motor voltage in the 0 to 5 volt range (approx.).



A
B
C
D
E
F
G
H
I

MTC

K
L
M

TROUBLE DIAGNOSIS

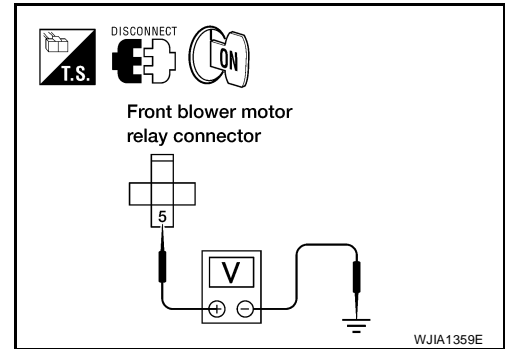
3. CHECK FRONT BLOWER MOTOR RELAY (SWITCH SIDE) POWER SUPPLY CIRCUIT

1. Turn ignition switch OFF.
2. Disconnect front blower motor relay.
3. Turn ignition switch ON.
4. Check voltage between front blower motor relay harness connector M107 terminals 5 and ground.

5 - Ground : **Battery voltage**

OK or NG

- OK >> GO TO 4.
NG >> Repair harness or connector as necessary.



4. CHECK FRONT BLOWER MOTOR RELAY

Turn ignition switch OFF.

Refer to [MTC-76, "Front Blower Motor Relay"](#).

OK or NG

- OK >> GO TO 5.
NG >> Replace front blower motor relay.

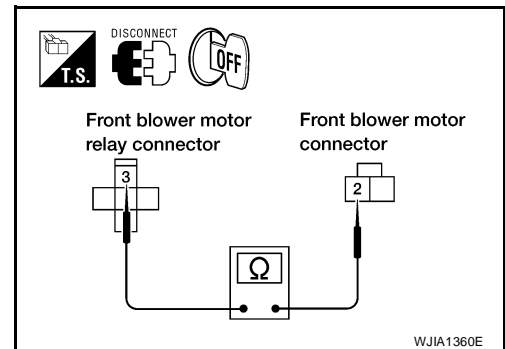
5. CHECK FRONT BLOWER MOTOR RELAY (SWITCH SIDE) CIRCUIT FOR OPEN

Check continuity between front blower motor relay harness connector M107 terminal 3 and front blower motor harness connector M62 terminal 2.

3 - 2 : **Continuity should exist.**

OK or NG

- OK >> GO TO 6.
NG >> Repair harness or connector as necessary.



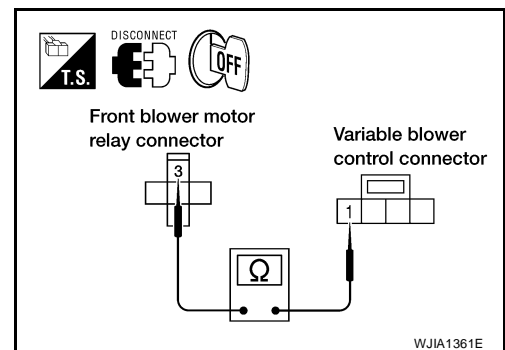
6. CHECK VARIABLE BLOWER CONTROL POWER SUPPLY CIRCUIT FOR OPEN

1. Disconnect variable blower control harness connector.
2. Check continuity between front blower motor relay harness connector M107 terminals 3 and variable blower control harness connector M122 terminal 1.

3 - 1 : **Continuity should exist.**

OK or NG

- OK >> GO TO 7.
NG >> Repair harness or connector as necessary.



TROUBLE DIAGNOSIS

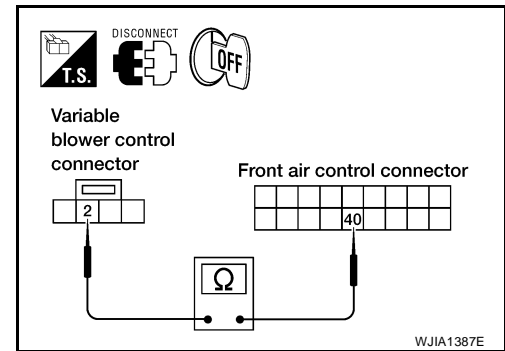
7. CHECK VARIABLE BLOWER CONTROL SIGNAL CIRCUIT

1. Disconnect front air control connector.
2. Check continuity between front air control harness connector M49 terminal 40 and variable blower control harness connector M122 terminal 2.

40 - 2 : Continuity should exist.

OK or NG

- OK >> GO TO 8.
NG >> Repair harness or connector as necessary.



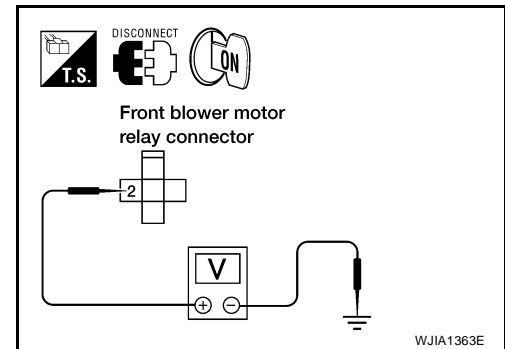
8. CHECK FRONT BLOWER MOTOR RELAY (COIL SIDE) POWER SUPPLY

1. Turn ignition switch ON.
2. Check voltage between front blower motor relay harness connector M107 terminal 2 and ground.

2 - Ground : Battery voltage

OK or NG

- OK >> GO TO 9.
NG >> Repair harness or connector as necessary.



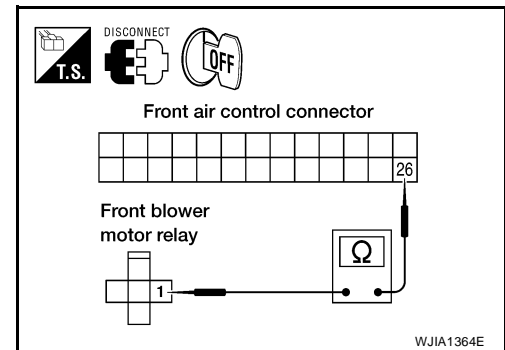
9. CHECK FRONT BLOWER MOTOR RELAY (COIL SIDE) GROUND CIRCUIT

1. Turn ignition switch OFF.
2. Check continuity between front blower motor relay connector M107 terminal 1 and front air control harness connector M49 terminal 26.

1 - 26 : Continuity should exist.

OK or NG

- OK >> Replace front air control. Refer to [MTC-95, "CONTROL UNIT"](#).
- NG >> Repair harness or connector as necessary.



10. REPLACE FUSES

1. Replace fuses.
2. Activate the front blower motor.
3. Do fuses blow?

YES or NO

- YES >> GO TO 11.
NO >> Inspection End.

TROUBLE DIAGNOSIS

11. CHECK FRONT BLOWER MOTOR POWER SUPPLY CIRCUIT FOR SHORT

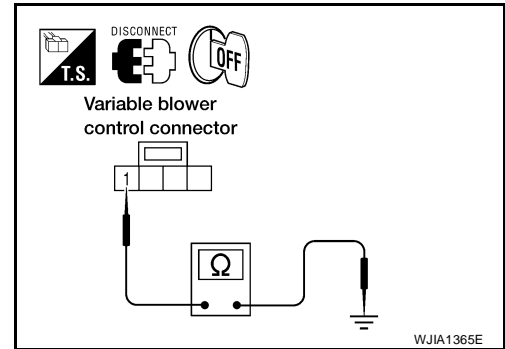
1. Turn ignition switch OFF.
2. Disconnect front blower motor connector and variable blower control connector.
3. Check continuity between variable blower control harness connector M122 terminal 1 and ground.

1 - Ground. : **Continuity should not exist.**

OK or NG

OK >> GO TO 12.

NG >> Repair harness or connector as necessary.



12. CHECK VARIABLE BLOWER CONTROL SIGNAL CIRCUIT

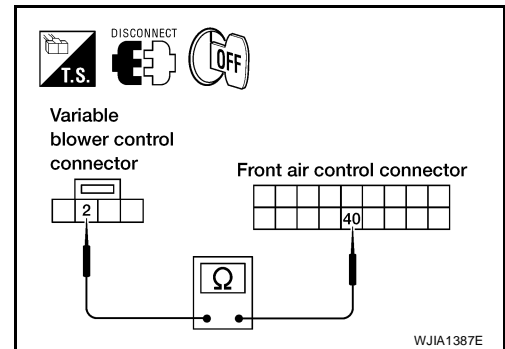
1. Disconnect front air control connector.
2. Check continuity between front air control harness connector M49 terminal 40 and variable blower control harness connector M122 terminal 2.

40 - 2 : **Continuity should exist.**

OK or NG

OK >> GO TO 13.

NG >> Repair harness or connector as necessary.



13. CHECK FRONT BLOWER MOTOR

Check front blower motor. Refer to [MTC-70, "Front Blower Motor Circuit"](#).

OK or NG

OK >> GO TO 14.

NG >> Replace front blower motor. Refer to [MTC-97, "BLOWER MOTOR"](#).

14. CHECK BLOWER MOTOR GROUND CIRCUIT

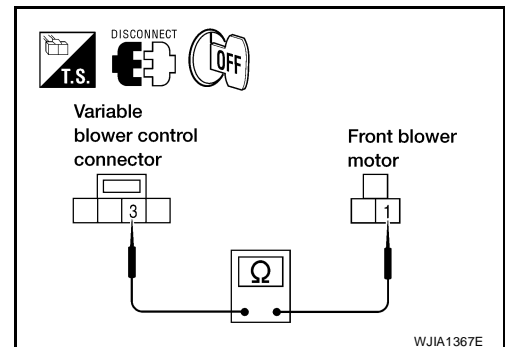
Check continuity between front blower motor harness connector M62 terminal 1 and variable blower control harness connector M122 terminal 3.

1 - 3 : **Continuity should exist.**

OK or NG

OK >> GO TO 15.

NG >> Repair harness or connector as necessary.



TROUBLE DIAGNOSIS

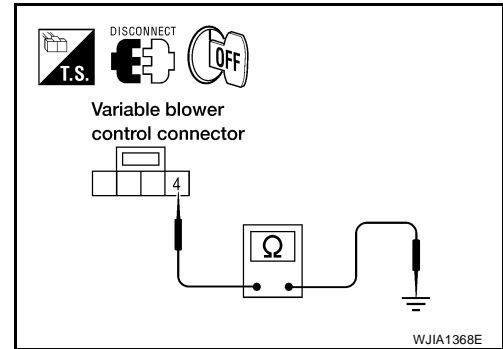
15. CHECK VARIABLE BLOWER CONTROL GROUND CIRCUIT

Check continuity between variable blower control harness connector M122 terminal 4 and ground.

4 - ground : Continuity should exist.

OK or NG

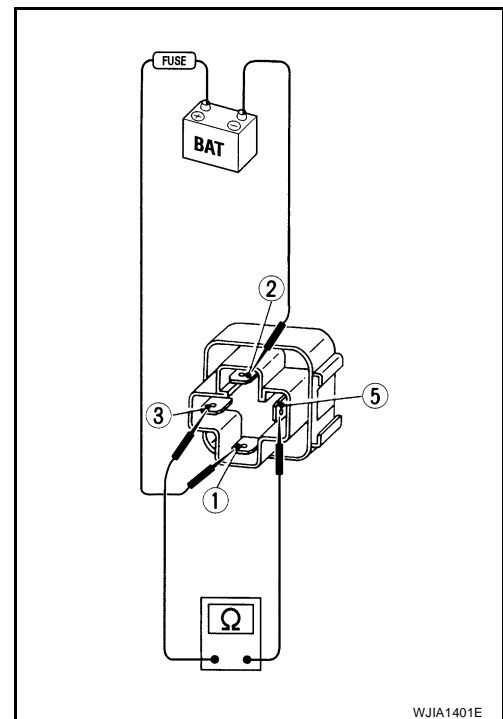
- OK >> Replace variable blower control. Refer to [MTC-108](#), "["VARIABLE BLOWER CONTROL"](#) .
- NG >> Repair harness or connector as necessary.



COMPONENT INSPECTION

Front Blower Motor Relay

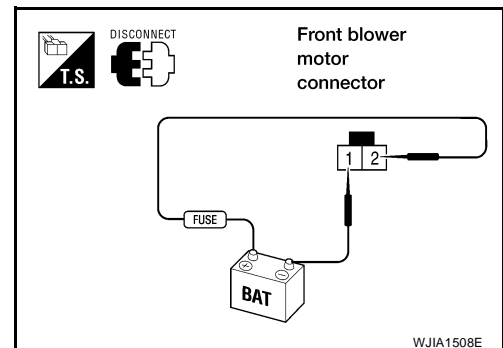
Check continuity between terminals 3 and 5 by supplying 12 volts and ground to coil side terminals of relay.



Front Blower Motor

Confirm smooth rotation of the blower motor.

- Ensure that there are no foreign particles inside the blower unit.
- Apply 12 volts to terminal 2 and ground to terminal 1 and verify that the motor operates freely and quietly.



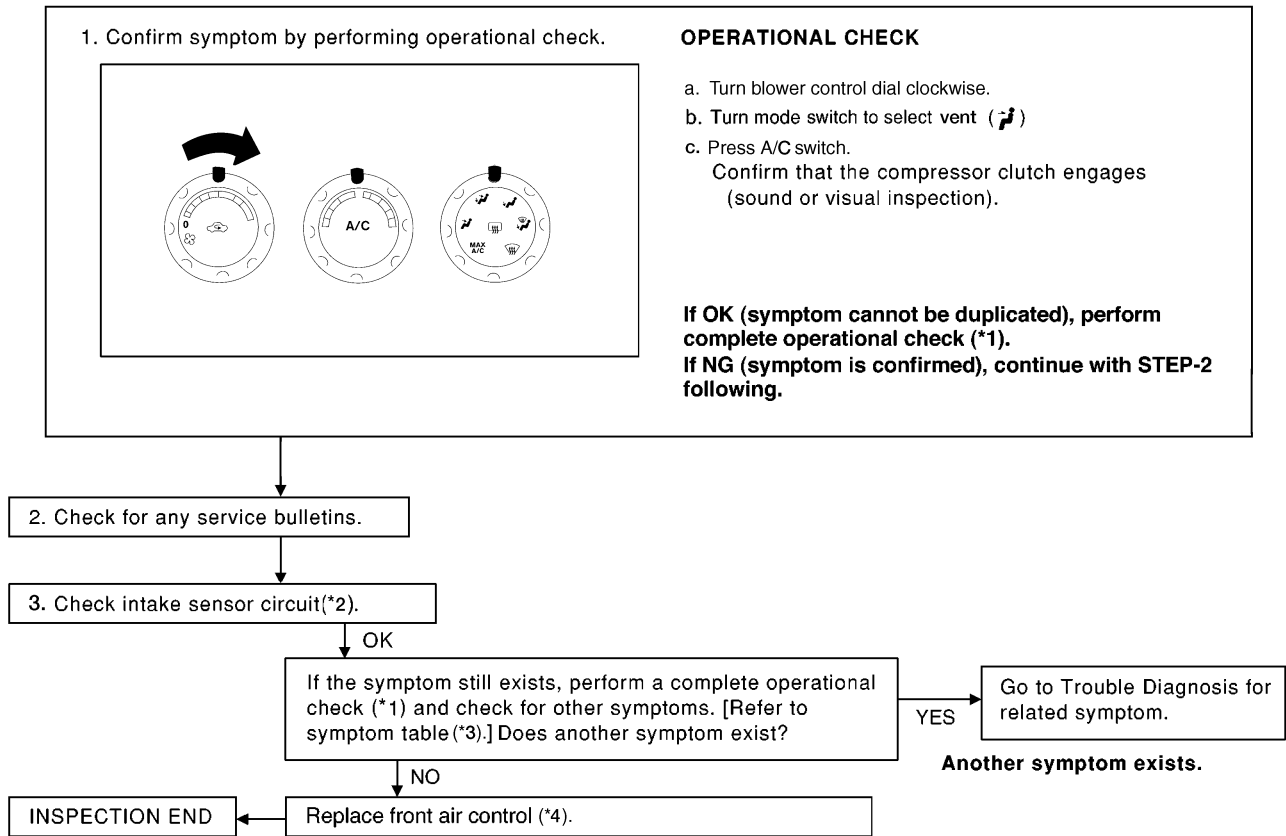
TROUBLE DIAGNOSIS

EJS003UD

Magnet Clutch Circuit

SYMPTOM: Magnet clutch does not engage.

INSPECTION FLOW



*1 [MTC-46, "Operational Check"](#)

*2 [MTC-61, "Intake Door Motor Circuit"](#)

*3 [MTC-34, "SYMPTOM TABLE"](#)

*4 [MTC-95, "CONTROL UNIT"](#)

WJIA1931E

TROUBLE DIAGNOSIS

SYSTEM DESCRIPTION

The front air control controls compressor operation based on ambient and intake temperature and a signal from ECM.

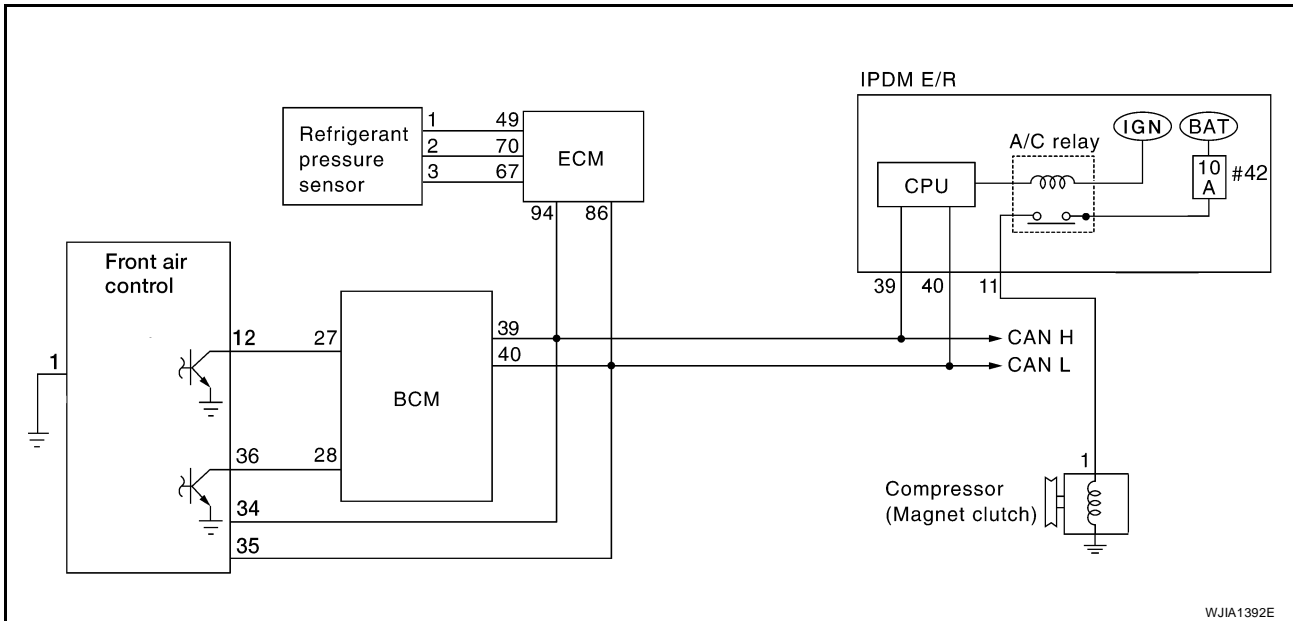
Low Temperature Protection Control

The front air control will turn the compressor ON or OFF as determined by a signal detected by the intake sensor.

When intake air temperature is higher than the preset value, the compressor turns ON. The compressor turns OFF when intake air temperature is lower than the preset value.

DIAGNOSTIC PROCEDURE FOR MAGNET CLUTCH

SYMPTOM: Magnet clutch does not engage when A/C switch is ON.



1. CHECK INTAKE SENSOR CIRCUITS

Check intake sensor. Refer to [MTC-93, "Intake Sensor Circuit"](#).

OK or NG

OK >> GO TO 2.

NG >> Replace intake sensor. Refer to [MTC-96, "INTAKE SENSOR"](#).

2. PERFORM AUTO ACTIVE TEST

Refer to [PG-24, "Auto Active Test"](#).

Does magnet clutch operate?

YES or NO

YES >> ● WITH CONSULT-II
GO TO 5.

● WITHOUT CONSULT-II
GO TO 6.

NO >> Check 10A fuse (No. 42, located in IPDM E/R), and GO TO 3.

TROUBLE DIAGNOSIS

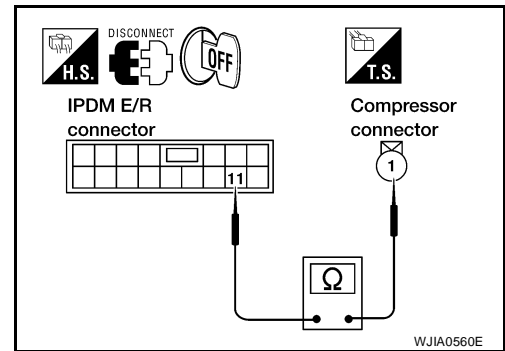
3. CHECK CIRCUIT CONTINUITY BETWEEN IPDM E/R AND COMPRESSOR

1. Turn ignition switch OFF.
2. Disconnect IPDM E/R connector and A/C compressor (magnet clutch) connector.
3. Check continuity between IPDM E/R harness connector E119 terminal 11 and A/C compressor harness connector F3 terminal 1.

11 - 1 : Continuity should exist.

OK or NG

- OK >> GO TO 4.
 NG >> Repair harness or connector as necessary.

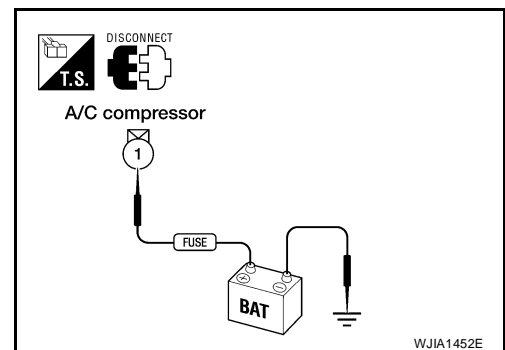


4. CHECK MAGNET CLUTCH CIRCUIT

Check for operation sound when applying battery voltage to terminal 1 of A/C compressor.

OK or NG

- OK >> Replace IPDM E/R. Refer to [PG-31, "Removal and Installation of IPDM E/R"](#) .
 NG >> Replace magnet clutch. Refer to [MTC-116, "Removal and Installation for Compressor Clutch"](#) .



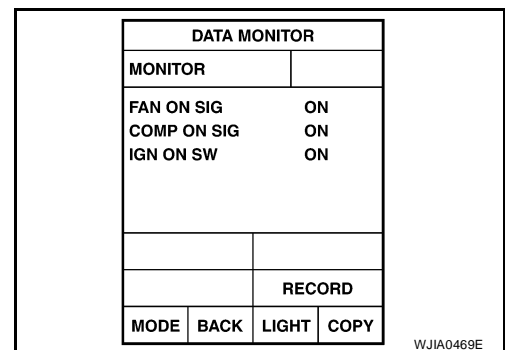
5. CHECK BCM INPUT (COMPRESSOR ON) SIGNAL

Check compressor ON/OFF signal. Refer to [MTC-32, "CONSULT-II Function \(BCM\)"](#) .

A/C SW ON : COMP ON SIG ON
A/C SW OFF : COMP ON SIG OFF

OK or NG

- OK >> GO TO 8.
 NG >> GO TO 6.



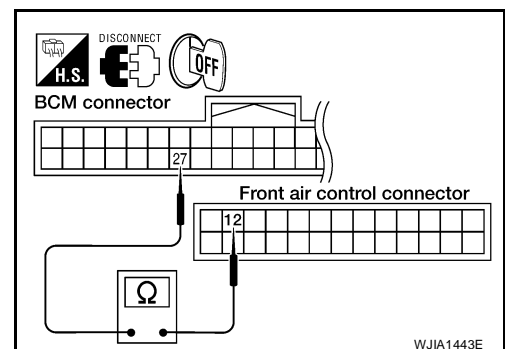
6. CHECK CIRCUIT CONTINUITY BETWEEN BCM AND FRONT AIR CONTROL

1. Turn ignition switch OFF.
2. Disconnect BCM connector and front air control connector.
3. Check continuity between BCM harness connector M18 terminal 27 and front air control harness connector M49 terminal 12.

27 - 12 Continuity should exist.

OK or NG

- OK >> GO TO 7.
 NG >> Repair harness or connector as necessary.

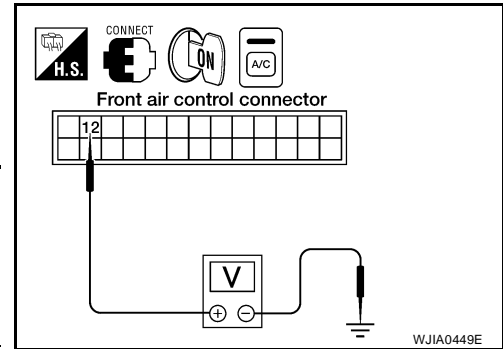


TROUBLE DIAGNOSIS

7. CHECK VOLTAGE FOR FRONT AIR CONTROL (COMPRESSOR ON SIGNAL)

1. Reconnect BCM connector and front air control connector.
2. Turn ignition switch ON.
3. Check voltage between front air control harness connector M49 terminal 12 and ground.

Terminals		(-)	Condition	Voltage
(+)				
Front air control connector	Terminal No.			
M49	12	Ground	A/C switch: ON	Approx. 0V
			A/C switch: OFF	Approx. 5V



OK or NG

OK >> GO TO 8.

NG-1 >> If the voltage is approx. 5V when A/C switch is ON, replace front air control. Refer to [MTC-95, "CONTROL UNIT"](#).

NG-2 >> If the voltage is approx. 0V when A/C switch is OFF, replace BCM. Refer to [BCS-20, "BCM"](#).

8. CHECK REFRIGERANT PRESSURE SENSOR

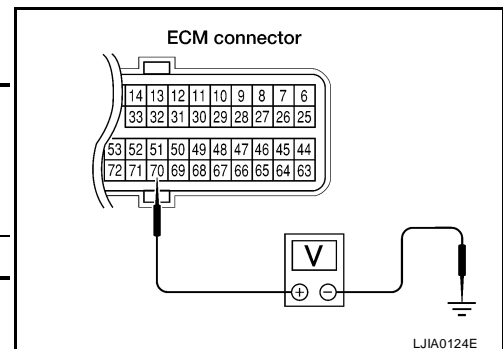
☑ WITH CONSULT-II

1. Start engine.
2. Check voltage of refrigerant pressure sensor. Refer to [MTC-29, "CONSULT-II Function \(HVAC\)"](#).

☒ WITHOUT CONSULT-II

1. Start engine.
2. Check voltage between ECM harness connector F54 terminal 70 and ground.

Terminals		(-)	Condition	Voltage
(+)				
ECM connector	Terminal No.			
F54	70	Ground	A/C switch: ON	Approx. 0.36 - 3.88V



OK or NG

OK >> ● ☑ WITH CONSULT-II
GO TO 9.

● ☒ WITHOUT CONSULT-II
GO TO 10.

NG >> Refer to [EC-623, "REFRIGERANT PRESSURE SENSOR"](#).

9. CHECK BCM INPUT (FAN ON) SIGNAL

Check FAN ON/OFF signal. Refer to [MTC-32, "CONSULT-II Function \(BCM\)"](#).

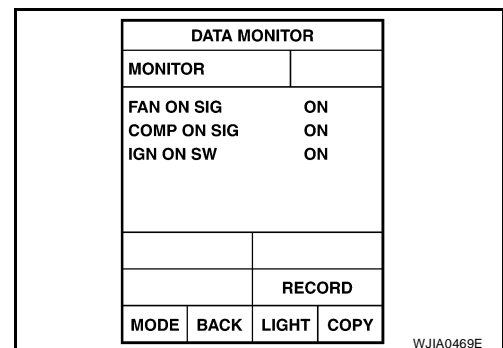
**FRONT BLOWER CONTROL : FAN ON SIG ON
DIAL ON**

**FRONT BLOWER CONTROL : FAN ON SIG OFF
DIAL OFF**

OK or NG

OK >> GO TO 12.

NG >> GO TO 10.



TROUBLE DIAGNOSIS

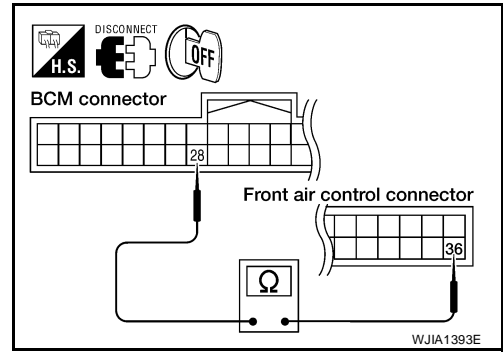
10. CHECK CIRCUIT CONTINUITY BETWEEN BCM AND FRONT AIR CONTROL

1. Turn ignition switch OFF.
2. Disconnect BCM connector and front air control connector.
3. Check continuity between BCM harness connector M18 terminal 28 and front air control harness connector M50 terminal 36.

28 - 36 : Continuity should exist.

OK or NG

- OK >> GO TO 11.
 NG >> Repair harness or connector as necessary.



11. CHECK VOLTAGE FOR FRONT AIR CONTROL (FAN ON SIGNAL)

1. Reconnect BCM connector and front air control connector.
2. Turn ignition switch ON.
3. Check voltage between front air control harness connector M49 terminal 36 and ground.

Terminals		Condition	Voltage
(+)	(-)		
Front air control connector	Terminal No.		
M50	36	A/C switch: ON Blower motor operates	Approx. 0V
		A/C switch: OFF	Approx. 5V

OK or NG

- OK >> GO TO 12.
 NG-1 >> If the voltage is approx. 5V when blower motor is ON, replace front air control. Refer to [MTC-95, "CONTROL UNIT"](#).
 NG-2 >> If the voltage is approx. 0V when blower motor is OFF, replace BCM. Refer to [BCS-20, "BCM"](#).

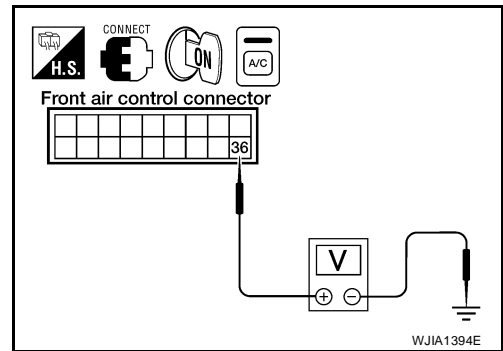
12. CHECK CAN COMMUNICATION

Check CAN communication. Refer to [LAN-25, "CAN COMMUNICATION"](#).

- BCM – ECM
- ECM – IPDM E/R
- ECM – Front air control

OK or NG

- OK >> Inspection End.
 NG >> Repair or replace malfunctioning part(s).



A
B
C
D
E
F
G
H
I
K
L
M

MTC

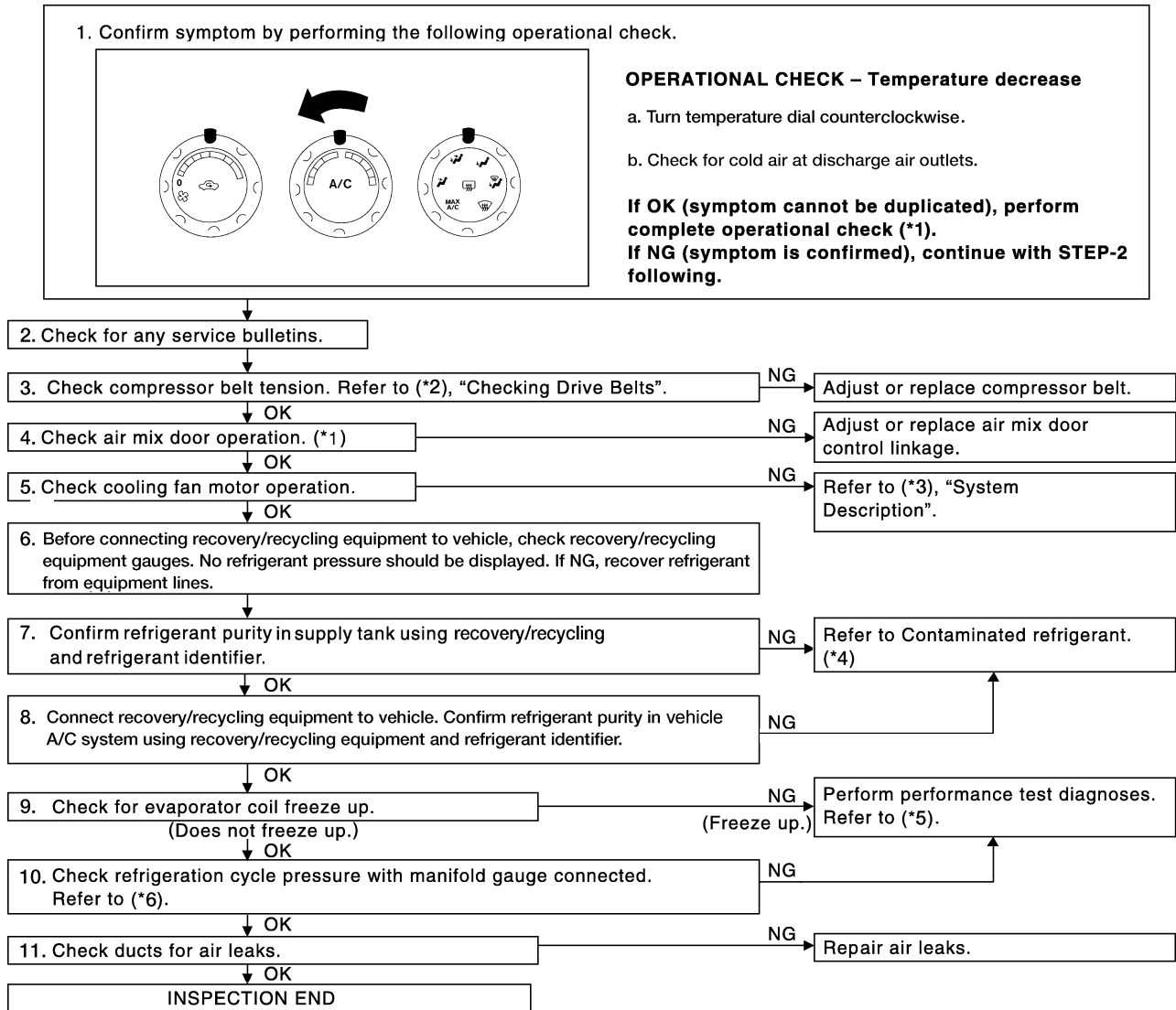
TROUBLE DIAGNOSIS

EJS003UE

Insufficient Cooling

SYMPTOM: Insufficient cooling

INSPECTION FLOW



*1 [MTC-46, "Operational Check"](#)

*2 [EM-13, "Checking Drive Belts"](#)

*3 [EC-479, "DTC P1217 ENGINE OVER TEMPERATURE"](#)

*4 [MTC-4, "Contaminated Refrigerant"](#)

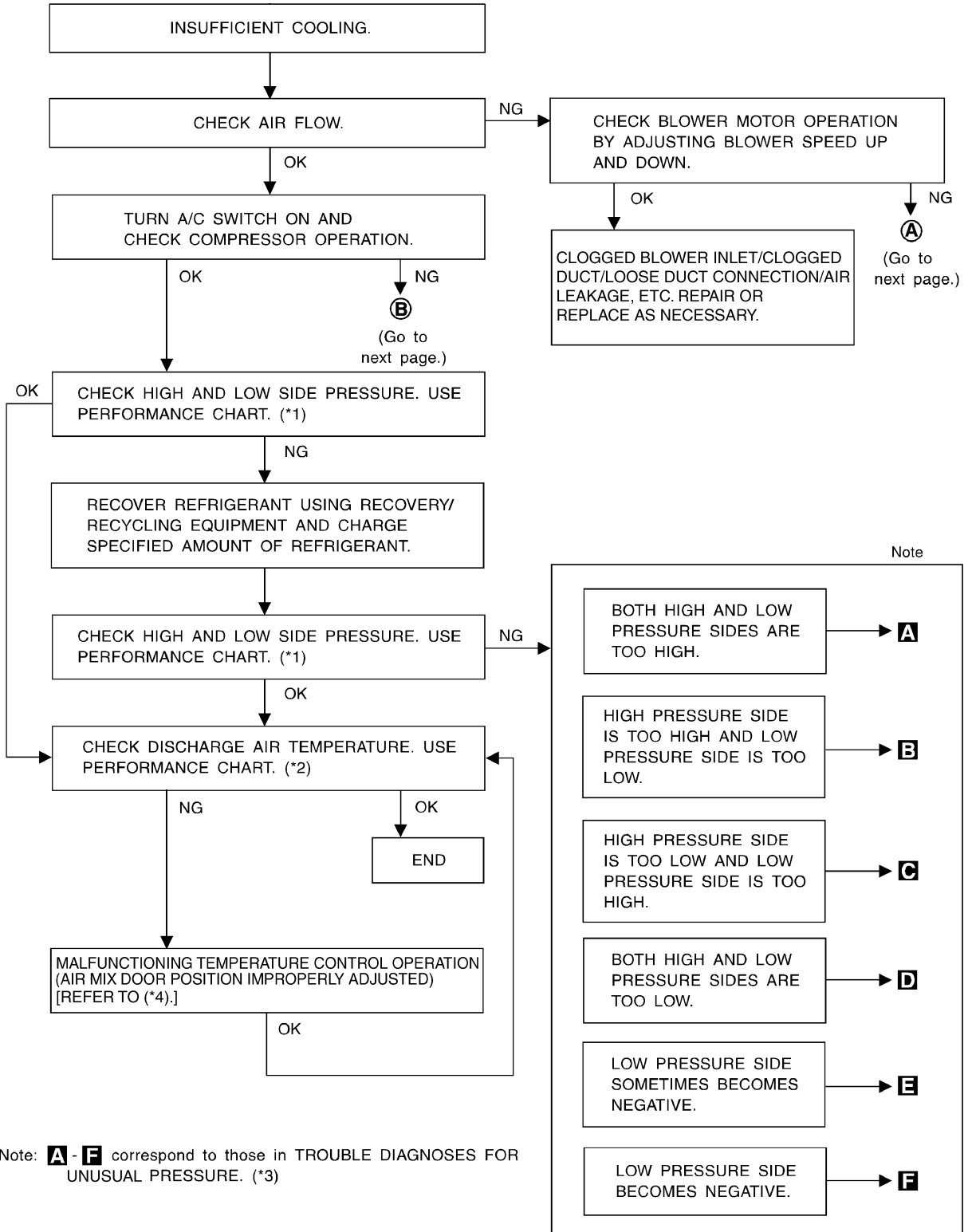
*5 [MTC-83, "PERFORMANCE TEST DIAGNOSES"](#)

*6 [MTC-85, "Test Reading"](#)

WJIA1932E

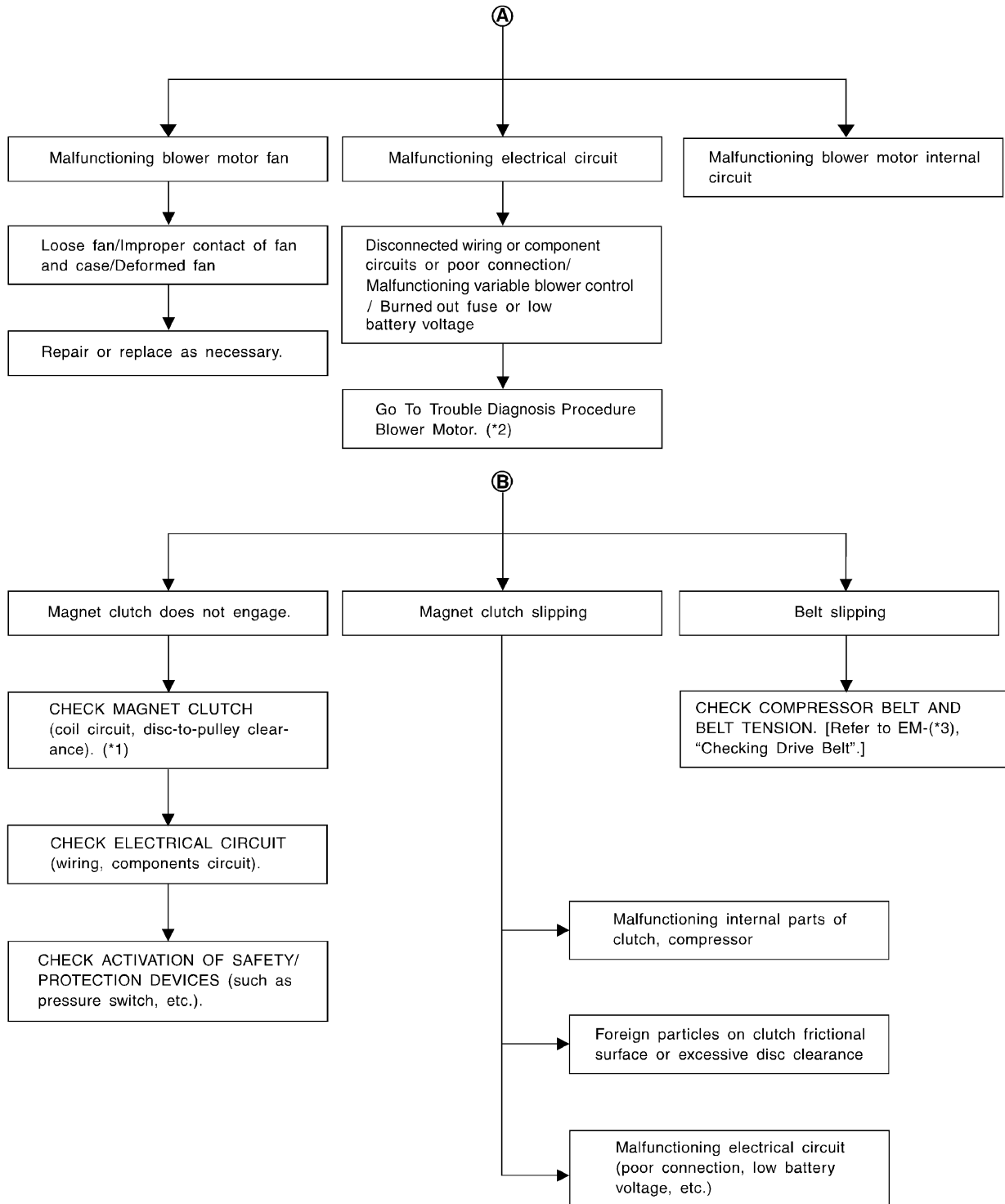
TROUBLE DIAGNOSIS

PERFORMANCE TEST DIAGNOSES



*1 [MTC-85, "PERFORMANCE CHART"](#) *2 [MTC-85, "PERFORMANCE CHART"](#) *3 [MTC-86, "Trouble Diagnoses for Unusual Pressure"](#)
 *4 [MTC-56, "Air Mix Door Motor Circuit"](#)

TROUBLE DIAGNOSIS



*1 [MTC-116, "Removal and Installation for Compressor Clutch"](#)

*2 [MTC-70, "Front Blower Motor Circuit"](#)

*3 [EM-13, "Checking Drive Belts"](#)




WJIA1371E

TROUBLE DIAGNOSIS

PERFORMANCE CHART

Test Condition

Testing must be performed as follows:

Vehicle location	Indoors or in the shade (in a well-ventilated place)
Doors	Closed
Door window	Open
Hood	Open
TEMP.	Max. COLD
Mode switch	 (Ventilation) set
Recirculation (REC) switch	 (Recirculation) set
 Blower speed	Max. speed set
Engine speed	Idle speed

Operate the air conditioning system for 10 minutes before taking measurements.

Test Reading

Recirculating-to-discharge Air Temperature Table

Inside air (Recirculating air) at blower assembly inlet		Discharge air temperature at center ventilator °C (°F)
Relative humidity %	Air temperature °C (°F)	
50 - 60	20 (68)	9.9 - 13.9 (50 - 57)
	25 (77)	14.6 - 18.6 (58 - 65)
	30 (86)	16.8 - 21.8 (62 - 71)
	35 (95)	21.1 - 27.1 (70 - 81)
	40 (104)	25.3 - 31.5 (78 - 89)
60 - 70	20 (68)	11.4 - 15.2 (53 - 59)
	25 (77)	15.5 - 20.0 (60 - 68)
	30 (86)	19.9 - 25.0 (68 - 77)
	35 (95)	24.5 - 29.6 (76 - 85)
	40 (104)	28.7 - 34.9 (84 - 95)

Ambient Air Temperature-to-operating Pressure Table

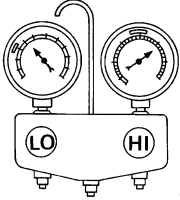
Ambient air		High-pressure (Discharge side) kPa (kg/cm ² , psi)	Low-pressure (Suction side) kPa (kg/cm ² , psi)
Relative humidity %	Air temperature °C (°F)		
50 - 70	20 (68)	1020 - 1250 (10.4 - 12.7, 147.9 - 181.3)	160 - 190 (1.63 - 1.94, 23.2 - 27.6)
	25 (77)	1236 - 1510 (12.6 - 15.4, 179.2 - 219)	206 - 245 (2.1 - 2.5, 29.9 - 35.6)
	30 (86)	1569 - 1,922 (16.0 - 19.6, 227.6 - 278.8)	265 - 324 (2.7 - 3.3, 38.4 - 46.9)
	35 (95)	1,697 - 2079 (17.3 - 21.2, 246.1 - 301.5)	304 - 363 (3.1 - 3.7, 44.1 - 52.6)
	40 (104)	1971 - 2403 (20.1 - 24.5, 285.9 - 348.5)	373 - 451 (3.8 - 4.6, 54.0 - 65.4)

TROUBLE DIAGNOSIS

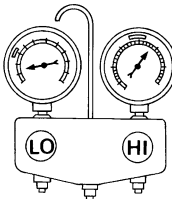
TROUBLE DIAGNOSES FOR UNUSUAL PRESSURE

Whenever system's high and/or low side pressure is unusual, diagnose using a manifold gauge. The marker above the gauge scale in the following tables indicates the standard (usual) pressure range. Since the standard (usual) pressure, however, differs from vehicle to vehicle, refer to above table (Ambient air temperature-to-operating pressure table).

Both High- and Low-pressure Sides are Too High

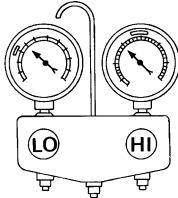
Gauge indication	Refrigerant cycle	Probable cause	Corrective action
<p>Both high- and low-pressure sides are too high.</p>  <p style="text-align: right; font-size: small;">AC359A</p>	<p>Pressure is reduced soon after water is splashed on condenser.</p>	<p>Excessive refrigerant charge in refrigeration cycle</p>	<p>Reduce refrigerant until specified pressure is obtained.</p>
	<p>Air suction by cooling fan is insufficient.</p>	<p>Insufficient condenser cooling performance ↓ 1. Condenser fins are clogged. 2. Improper fan rotation of cooling fan</p>	<ul style="list-style-type: none"> ● Clean condenser. ● Check and repair cooling fan if necessary.
	<ul style="list-style-type: none"> ● Low-pressure pipe is not cold. ● When compressor is stopped high-pressure value quickly drops by approximately 196 kPa (2 kg/cm², 28 psi). It then decreases gradually thereafter. 	<p>Poor heat exchange in condenser (After compressor operation stops, high-pressure decreases too slowly.) ↓ Air in refrigeration cycle</p>	<p>Evacuate and recharge system.</p>
	<p>Engine tends to overheat.</p>	<p>Engine cooling systems malfunction.</p>	<p>Check and repair engine cooling system.</p>
	<ul style="list-style-type: none"> ● An area of the low-pressure pipe is colder than areas near the evaporator outlet. ● Plates are sometimes covered with frost. 	<ul style="list-style-type: none"> ● Excessive liquid refrigerant on low-pressure side ● Excessive refrigerant discharge flow ● Expansion valve is open a little compared with the specification. <p>↓ Improper expansion valve adjustment</p>	<p>Replace expansion valve.</p>

High-pressure Side is Too High and Low-pressure Side is Too Low

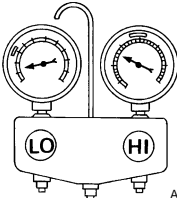
Gauge indication	Refrigerant cycle	Probable cause	Corrective action
<p>High-pressure side is too high and low-pressure side is too low.</p>  <p style="text-align: right; font-size: small;">AC360A</p>	<p>Upper side of condenser and high-pressure side are hot, however, liquid tank is not so hot.</p>	<p>High-pressure tube or parts located between compressor and condenser are clogged or crushed.</p>	<ul style="list-style-type: none"> ● Check and repair or replace malfunctioning parts. ● Check oil for contamination.

TROUBLE DIAGNOSIS

High-pressure Side is Too Low and Low-pressure Side is Too High

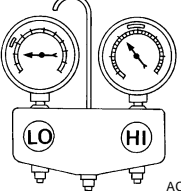
Gauge indication	Refrigerant cycle	Probable cause	Corrective action
High-pressure side is too low and low-pressure side is too high.  AC356A	High- and low-pressure sides become equal soon after compressor operation stops.	Compressor pressure operation is improper. ↓ Damaged inside compressor packings.	Replace compressor.
	No temperature difference between high- and low-pressure sides.	Compressor pressure operation is improper. ↓ Damaged inside compressor packings.	Replace compressor.

Both High- and Low-pressure Sides are Too Low

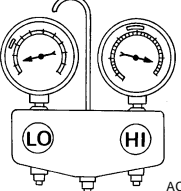
Gauge indication	Refrigerant cycle	Probable cause	Corrective action
Both high- and low-pressure sides are too low.  AC353A	<ul style="list-style-type: none"> There is a big temperature difference between liquid tank outlet and inlet. Outlet temperature is extremely low. Liquid tank inlet and expansion valve are frosted. 	Liquid tank inside is slightly clogged.	<ul style="list-style-type: none"> Replace liquid tank. Check oil for contamination.
	<ul style="list-style-type: none"> Temperature of expansion valve inlet is extremely low as compared with areas near liquid tank. Expansion valve inlet may be frosted. Temperature difference occurs somewhere in high-pressure side. 	High-pressure pipe located between liquid tank and expansion valve is clogged.	<ul style="list-style-type: none"> Check and repair malfunctioning parts. Check oil for contamination.
	Expansion valve and liquid tank are warm or only cool when touched.	Low refrigerant charge. ↓ Leaking fittings or components.	Check refrigerant system for leaks. Refer to MTC-123, "Checking for Refrigerant Leaks" .
	There is a big temperature difference between expansion valve inlet and outlet while the valve itself is frosted.	Expansion valve closes a little compared with the specification. ↓ 1. Improper expansion valve adjustment. 2. Malfunctioning expansion valve. 3. Outlet and inlet may be clogged.	<ul style="list-style-type: none"> Remove foreign particles by using compressed air. Check oil for contamination.
	An area of the low-pressure pipe is colder than areas near the evaporator outlet.	Low-pressure pipe is clogged or crushed.	<ul style="list-style-type: none"> Check and repair malfunctioning parts. Check oil for contamination.
	Air flow volume is too low.	Evaporator is frozen.	<ul style="list-style-type: none"> Check intake sensor circuit. Refer to MTC-93, "Intake Sensor Circuit" . Repair evaporator fins. Replace evaporator. Refer to MTC-70, "Front Blower Motor Circuit" .

TROUBLE DIAGNOSIS

Low-pressure Side Sometimes Becomes Negative

Gauge indication	Refrigerant cycle	Probable cause	Corrective action
<p>Low-pressure side sometimes becomes negative.</p>  <p style="text-align: right; font-size: small;">AC354A</p>	<ul style="list-style-type: none"> ● Air conditioning system does not function and does not cyclically cool the compartment air. ● The system constantly functions for a certain period of time after compressor is stopped and restarted. 	<p>Refrigerant does not discharge cyclically.</p> <p>↓</p> <p>Moisture is frozen at expansion valve outlet and inlet.</p> <p>↓</p> <p>Water is mixed with refrigerant.</p>	<ul style="list-style-type: none"> ● Drain water from refrigerant or replace refrigerant. ● Replace liquid tank.

Low-pressure Side Becomes Negative

Gauge indication	Refrigerant cycle	Probable cause	Corrective action
<p>Low-pressure side becomes negative.</p>  <p style="text-align: right; font-size: small;">AC362A</p>	<p>Liquid tank or front/rear side of expansion valve's pipe is frosted or dewed.</p>	<p>High-pressure side is closed and refrigerant does not flow.</p> <p>↓</p> <p>Expansion valve or liquid tank is frosted.</p>	<p>Leave the system at rest until no frost is present. Start it again to check whether or not the malfunction is caused by water or foreign particles.</p> <ul style="list-style-type: none"> ● If water is the cause, initially cooling is okay. Then the water freezes causing a blockage. Drain water from refrigerant or replace refrigerant. ● If due to foreign particles, remove expansion valve and remove the particles with dry and compressed air (not shop air). ● If either of the above methods cannot correct the malfunction, replace expansion valve. ● Replace liquid tank. ● Check oil for contamination.

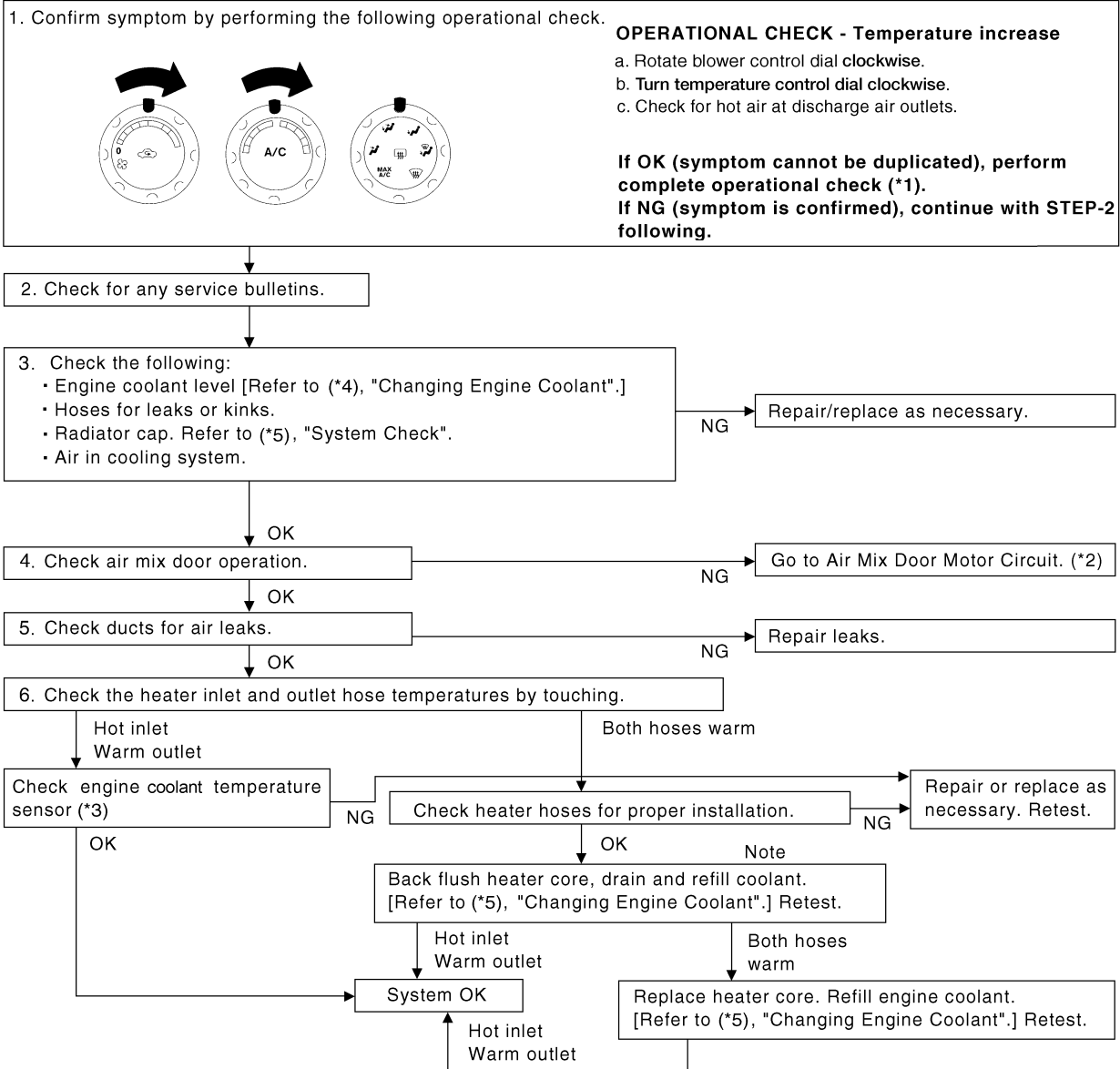
TROUBLE DIAGNOSIS

EJS003UF

Insufficient Heating

SYMPTOM: Insufficient heating

INSPECTION FLOW



*1 [.MTC-46. "Operational Check"](#)

*2 [MTC-56. "Air Mix Door Motor Circuit"](#)

*3 [EC-198. "DTC P0117, P0118 ECT SENSOR"](#)

*4 [CO-10. "ENGINE COOLANT"](#)

*5 [MTC-102. "HEATER CORE"](#)

WJIA1933E

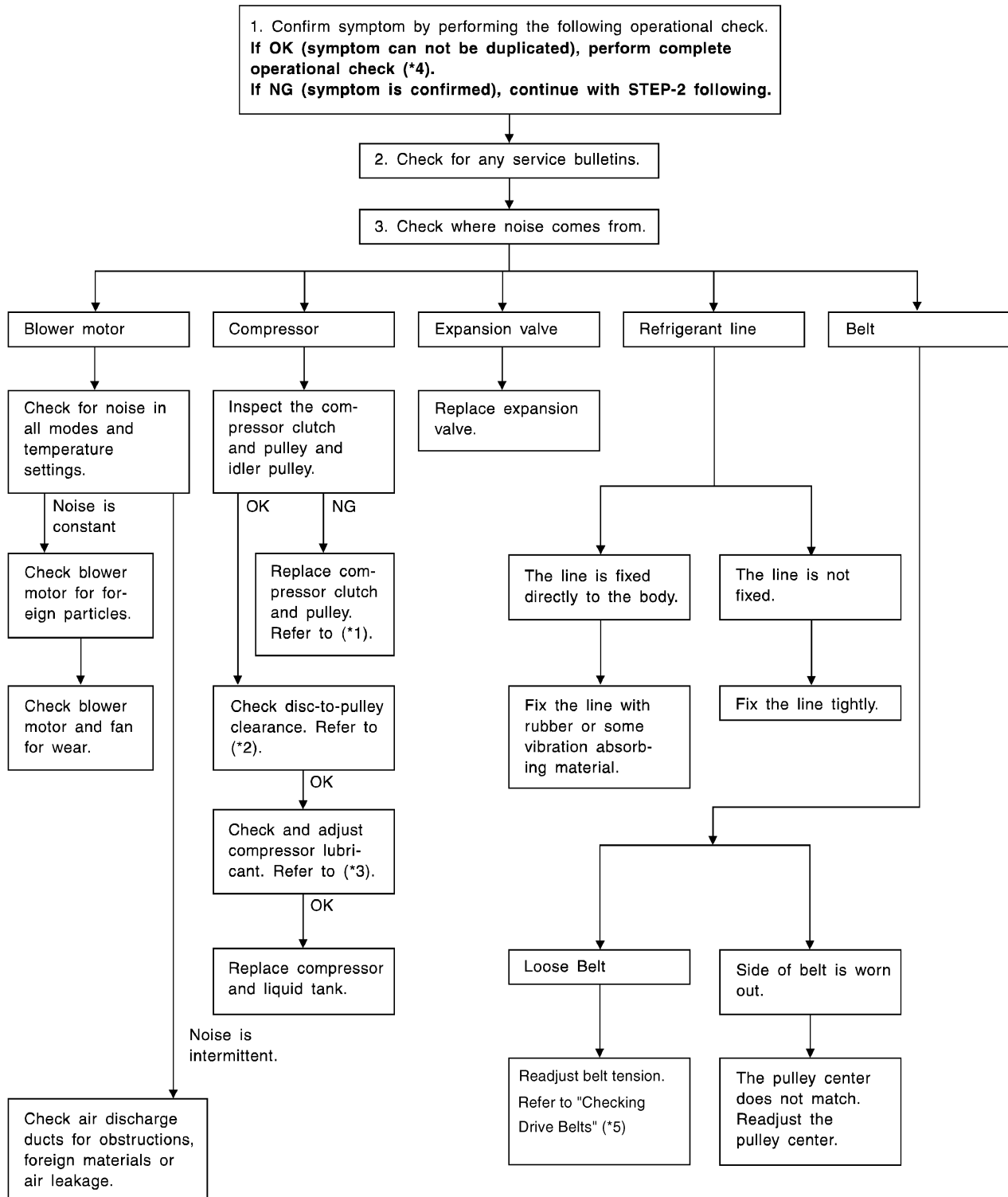
TROUBLE DIAGNOSIS

EJS003UG

Noise

SYMPTOM: Noise

INSPECTION FLOW



*1 [MTC-116, "Removal and Installation for Compressor Clutch".](#)

*2 [MTC-117, "Clutch Disc".](#)

*3 [MTC-20, "Maintenance of Oil Quantity in Compressor".](#)

*4 [MTC-46, "Operational Check".](#)

*5 [EM-13, "Checking Drive Belts".](#)

WJIA0473E

TROUBLE DIAGNOSIS

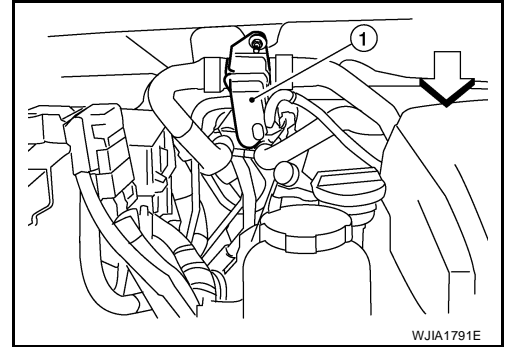
EJS003UI

Water Valve Circuit COMPONENT DESCRIPTION

Water Valve

Front: ⇒

The water valve (1) cuts the flow of engine coolant to the front heater cores to allow for maximum cooling during A/C operation. It is controlled by the front air control.

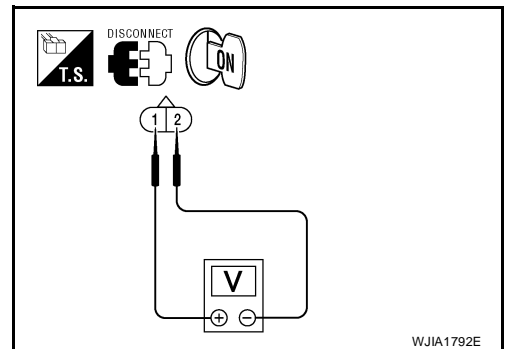


WJIA1791E

DIAGNOSTIC PROCEDURE FOR WATER VALVE

1. CHECK WATER VALVE POWER AND GROUND CIRCUITS

1. Disconnect water valve connector F68.
2. Turn ignition switch ON.
3. Rotate mode dial to MAX A/C.
4. Rotate temperature control dial to maximum heat.
5. Check voltage between water valve harness connector F68 terminal 1 and terminal 2 while rotating temperature control dial to maximum cold.



WJIA1792E

Connector	Terminals		Condition	Voltage (Approx.)
	(+)	(-)		
Water valve: F68	1	2	Rotate temperature control dial	Battery voltage

OK or NG

- OK >> GO TO 3.
NG >> GO TO 2.

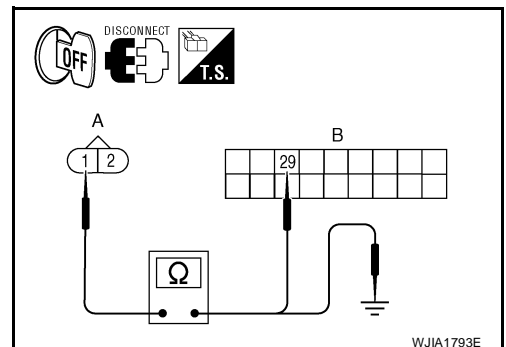
2. CHECK WATER VALVE CONTROL OUTPUT CIRCUIT

1. Turn ignition switch OFF.
2. Disconnect front air control connector M50.
3. Check continuity between water valve harness connector F68 (A) terminal 1 and front air control harness connector M50 (B) terminal 29.

1 - 29 : Continuity should exist.

4. Check continuity between water valve harness connector F68 (A) terminal 1 and ground.

1 - Ground : Continuity should not exist.



WJIA1793E

OK or NG

- OK >> Replace front air control. Refer to [MTC-95, "REMOVAL"](#).
NG >> Repair harness or connector.

TROUBLE DIAGNOSIS

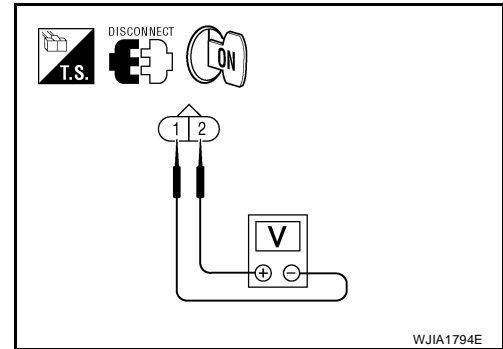
3. CHECK WATER VALVE POWER AND GROUND CIRCUITS

1. Rotate temperature control dial to maximum cold.
2. Check voltage between water valve harness connector F68 terminal 1 and terminal 2 while rotating temperature control dial to maximum heat.

Connector	Terminals		Condition	Voltage (Approx.)
	(+)	(-)		
Water valve: F68	2	1	Rotate temperature control dial	Battery voltage

OK or NG

- OK >> Replace the water valve.
 NG >> GO TO 4.



WJIA1794E

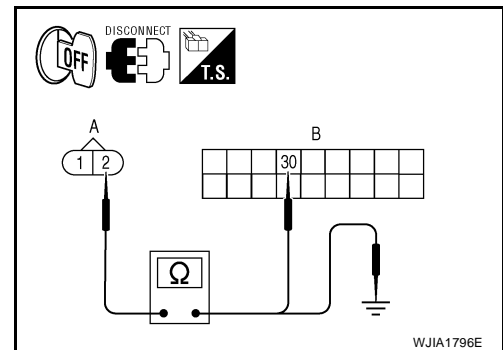
4. CHECK WATER VALVE CONTROL OUTPUT CIRCUIT

1. Turn ignition switch OFF.
2. Disconnect front air control connector M50.
3. Check continuity between water valve harness connector F68 (A) terminal 2 and front air control harness connector M50 (B) terminal 30.

2 - 30 : Continuity should exist.

4. Check continuity between water valve harness connector F68 (A) terminal 2 and ground.

2 - Ground : Continuity should not exist.



WJIA1796E

OK or NG

- OK >> Replace front air control. Refer to [MTC-95, "REMOVAL"](#).
 NG >> Repair harness or connector.

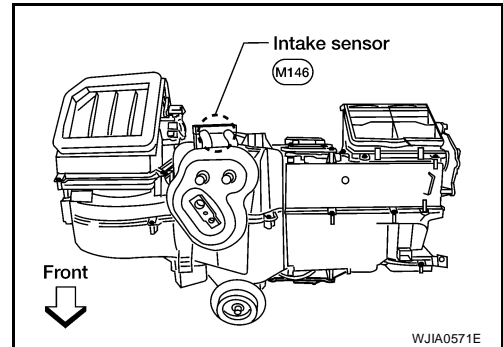
TROUBLE DIAGNOSIS

EJS003UJ

Intake Sensor Circuit COMPONENT DESCRIPTION

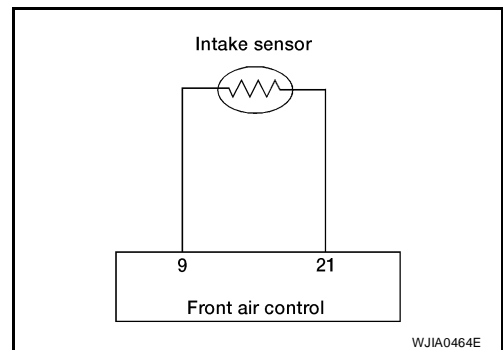
Intake Sensor

The intake sensor is located on top of the heater and cooling unit assembly next to the A/C evaporator cover. It converts temperature of air after it passes through the evaporator into a resistance value which is then input to the front air control.



DIAGNOSTIC PROCEDURE FOR INTAKE SENSOR

SYMPTOM: Intake sensor circuit is open or shorted. Using the CONSULT-II, DTC B2581 or B2582 is displayed.



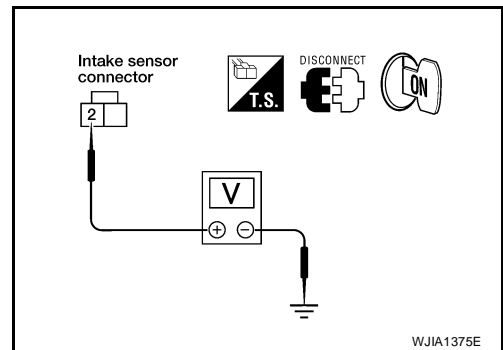
1. CHECK VOLTAGE BETWEEN INTAKE SENSOR AND GROUND

1. Disconnect intake sensor connector.
2. Turn ignition switch ON.
3. Check voltage between intake sensor harness connector M146 terminal 2 and ground.

2 - Ground : Approx. 5V

OK or NG

- OK >> GO TO 2.
- NG >> GO TO 4.



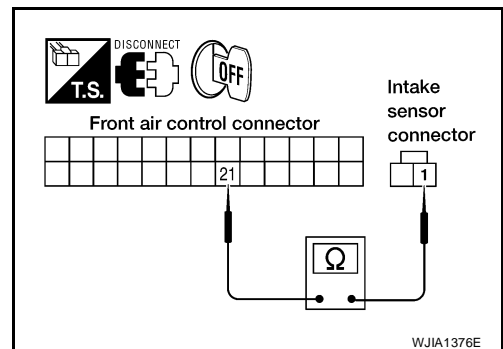
2. CHECK CIRCUIT CONTINUITY BETWEEN INTAKE SENSOR AND FRONT AIR CONTROL

1. Turn ignition switch OFF.
2. Disconnect front air control connector.
3. Check continuity between intake sensor harness connector M146 terminal 1 and front air control harness connector M49 terminal 21.

1 - 21 : Continuity should exist.

OK or NG

- OK >> GO TO 3.
- NG >> Repair harness or connector as necessary.



TROUBLE DIAGNOSIS

3. CHECK INTAKE SENSOR

Check intake sensor. Refer to [MTC-93, "Intake Sensor Circuit"](#) .

OK or NG

- OK >> Replace front air control. Refer to [MTC-95, "CONTROL UNIT"](#) .
- NG >> Replace intake sensor. Refer to [MTC-96, "INTAKE SENSOR"](#) .

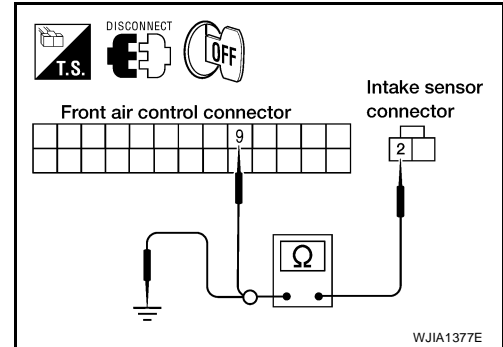
4. CHECK CIRCUIT CONTINUITY BETWEEN INTAKE SENSOR AND FRONT AIR CONTROL

1. Turn ignition switch OFF.
2. Disconnect front air control connector.
3. Check continuity between intake sensor harness connector M146 terminal 2 and front air control harness connector M146 terminal 9.

2 - 9 : Continuity should exist.

4. Check continuity between intake sensor harness connector M146 terminal 2 and ground.

2 - Ground : Continuity should not exist.



OK or NG

- OK >> Replace front air control. Refer to [MTC-95, "CONTROL UNIT"](#) .
- NG >> Repair harness or connector as necessary.

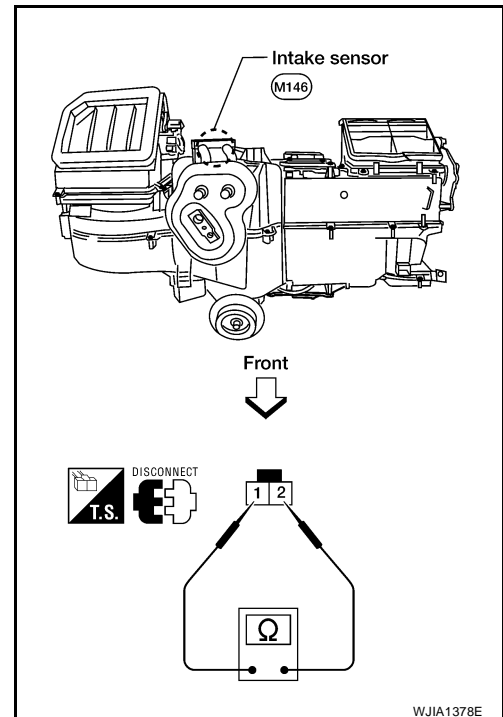
COMPONENT INSPECTION

Intake Sensor

After disconnecting intake sensor connector, measure resistance between terminals 1 and 2 at sensor harness side, using the table below.

Temperature °C (°F)	Resistance kΩ
-15 (5)	209.0
-10 (14)	160.0
-5 (23)	123.0
0 (32)	95.8
5 (41)	74.9
10 (50)	58.9
15 (59)	46.7
20 (68)	37.3
25 (77)	30.0
30 (86)	24.2
35 (95)	19.7
40 (104)	16.1
45 (113)	13.2

If NG, replace intake sensor. Refer to [MTC-96, "INTAKE SENSOR"](#) .



CONTROL UNIT

CONTROL UNIT

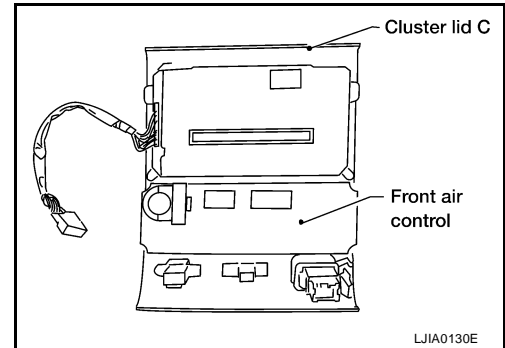
PFP:27500

EJS0032V

Removal and Installation

REMOVAL

1. Remove the three control knobs from the front air control unit.
2. Remove the cluster lid C. Refer to [IP-10, "Removal and Installation"](#) .
3. Remove the four screws securing the front air control unit to the cluster lid C.
4. Disconnect the two electrical connectors.
5. Remove the front air control unit.



INSTALLATION

Installation is in the reverse order of removal.

A
B
C
D
E
F
G
H
I
K
L
M

MTC

INTAKE SENSOR

INTAKE SENSOR

PF2:27723

Removal and Installation

EJS0032W

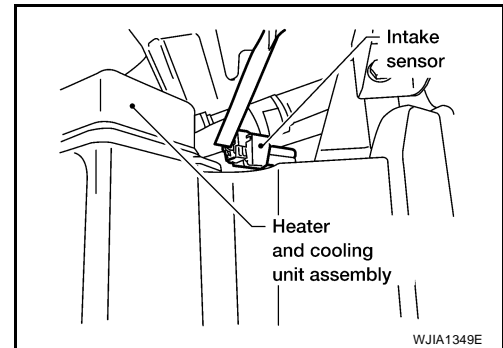
REMOVAL

1. Remove the instrument panel. Refer to [IP-10, "Removal and Installation"](#).
2. Disconnect the intake sensor electrical connector.

NOTE:

The intake sensor is located on the top of the heater and cooling unit assembly next to the A/C evaporator cover.

3. Twist the intake sensor to remove the intake sensor from the heater and cooling unit assembly.



INSTALLATION

Installation is in the reverse order of removal.

BLOWER MOTOR

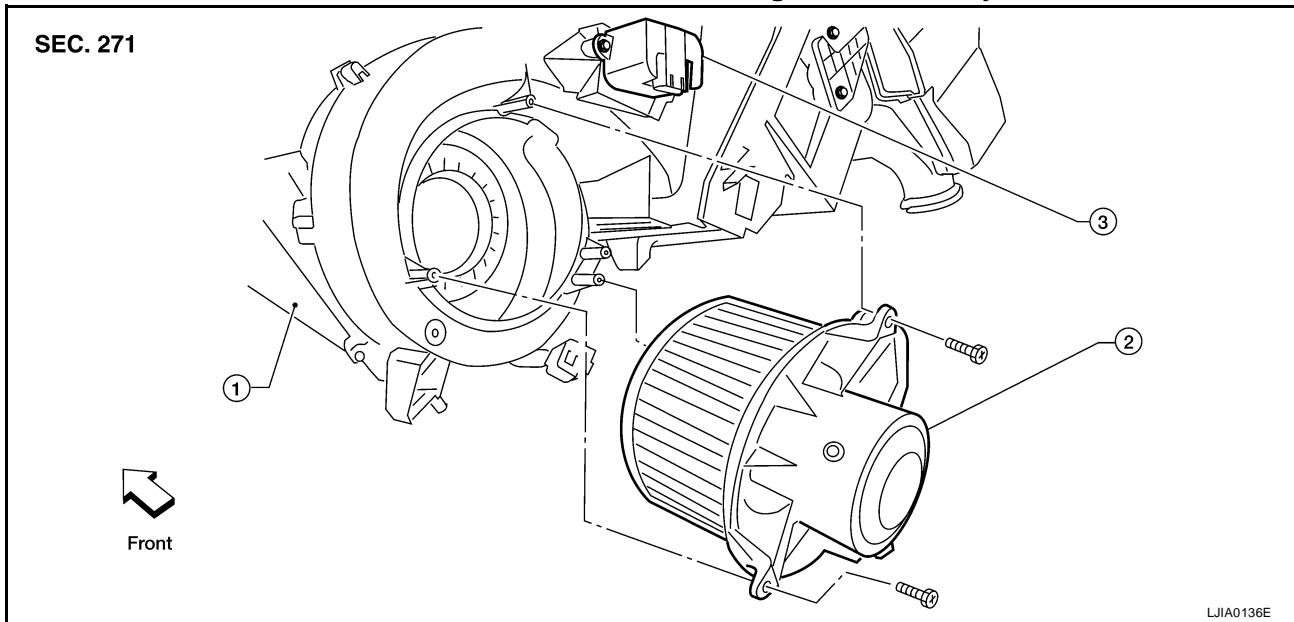
PFP:27226

BLOWER MOTOR

Removal and Installation

EJS0032X

Blower Motor - Heater and Cooling Unit Assembly



1. Heater and cooling unit assembly
2. Blower motor
3. Variable blower control

REMOVAL

1. Remove the glove box assembly. Refer to [IP-10, "Removal and Installation"](#).
2. Disconnect the blower motor electrical connector.
3. Remove the three screws and remove the blower motor.

INSTALLATION

Installation is in the reverse order of removal.

A
B
C
D
E
F
G
H
I
K
L
M

MTC

IN-CABIN MICROFILTER

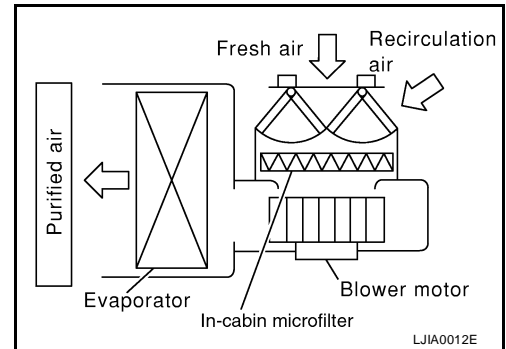
IN-CABIN MICROFILTER

PFP:27277

Removal and Installation FUNCTION

EJS0032Y

The air inside the passenger compartment is filtered by the in-cabin microfilters when the heater or A/C controls are set on either the recirculation or fresh mode. The two in-cabin microfilters are located in the front heater and cooling unit assembly.

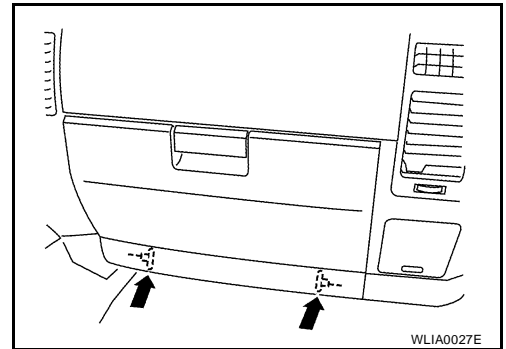


REPLACEMENT TIMING

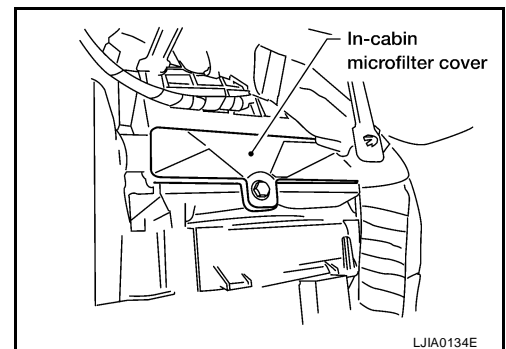
Replacement of the two in-cabin microfilters is recommended on a regular interval depending on the driving conditions. Refer to [MA-7, "PERIODIC MAINTENANCE"](#). It may also be necessary to replace the two in-cabin microfilters as part of a component replacement if the in-cabin microfilters are damaged.

REPLACEMENT PROCEDURE

1. Remove the two lower glove box hinge pins to remove the glove box from the instrument panel and let it hang from the cord.



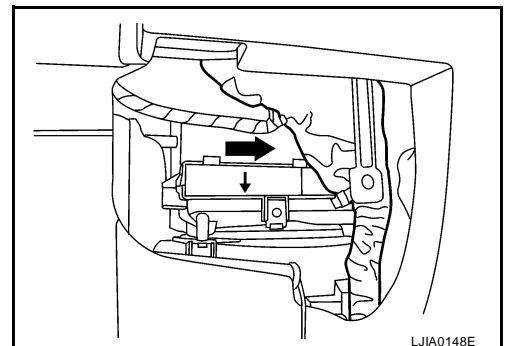
2. Remove the screw and remove the in-cabin microfilter cover.
3. Remove the in-cabin microfilters from the front heater and cooling unit assembly housing.



4. Insert the first new in-cabin microfilter into the front heater and cooling unit assembly housing and slide it over to the right. Insert the second new in-cabin microfilter into the front heater and cooling unit assembly housing.

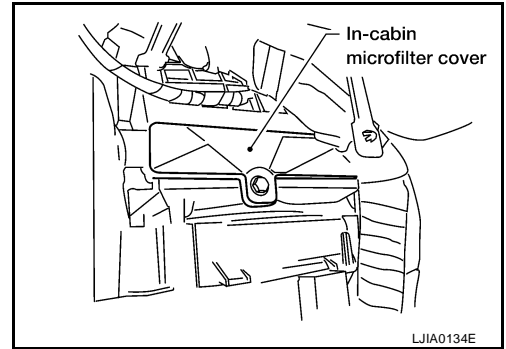
NOTE:

The in-cabin microfilters are marked with air flow arrows. The end of the microfilter with the arrow should face the rear of the vehicle. The arrows should point downward.

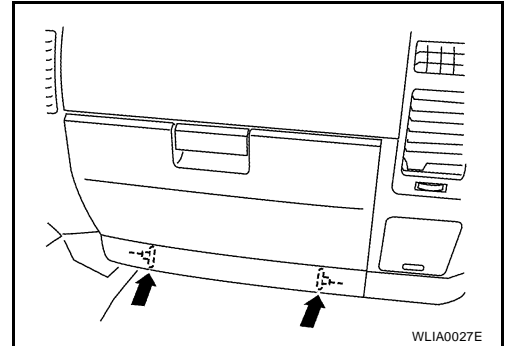


IN-CABIN MICROFILTER

5. Install the in-cabin microfilter cover.



6. Install the lower glove box in the instrument panel and secure it with the two hinge pins.



A
B
C
D
E
F
G
H
I
K
L
M

MTC

HEATER & COOLING UNIT ASSEMBLY

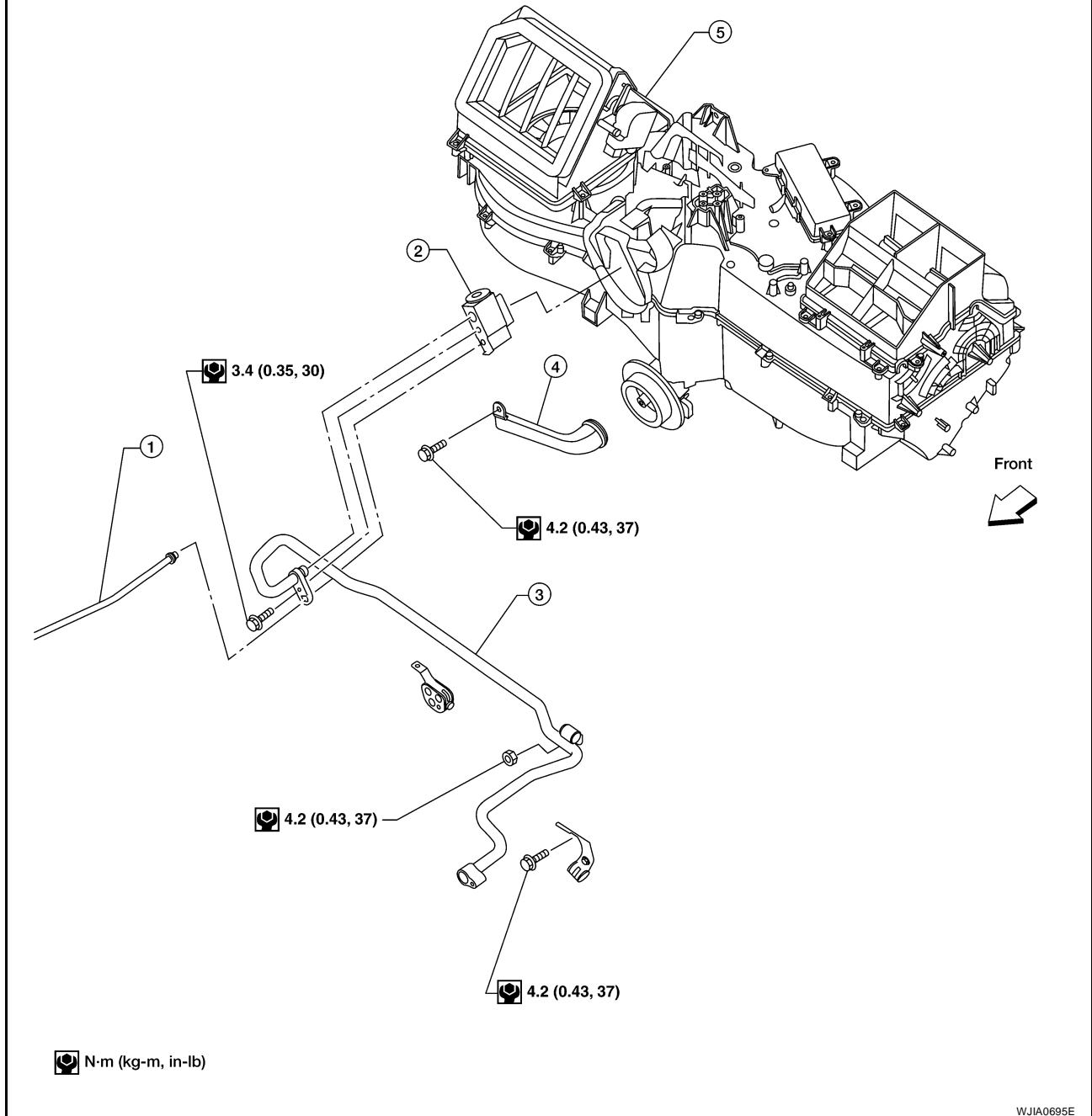
HEATER & COOLING UNIT ASSEMBLY

PFP:27110

Removal and Installation

EJS0032Z

SEC. 271 • 276 • 278



- | | | |
|---------------------------|-------------------------------------|--------------------------|
| 1. High-pressure A/C pipe | 2. Expansion valve | 3. Low-pressure A/C pipe |
| 4. A/C drain hose | 5. Heater and cooling unit assembly | |

REMOVAL

1. Discharge the refrigerant from the A/C system. Refer to [MTC-112, "Discharging Refrigerant"](#).
2. Drain the coolant from the engine cooling system. Refer to [MA-13, "DRAINING ENGINE COOLANT"](#).
3. Disconnect the heater hoses from the heater core.
4. Disconnect the high/low pressure pipes from the expansion valve.
5. Move the two front seats to the rearmost position on the seat track.
6. Disconnect the battery negative terminal and battery positive terminal.
7. Remove the instrument panel and console panel. Refer to [IP-10, "Removal and Installation"](#).

HEATER & COOLING UNIT ASSEMBLY

8. Remove the steering column. Refer to [PS-9, "Removal and Installation"](#) .
9. Disconnect the instrument panel wire harness at the RH and LH in-line connector brackets, and the fuse block (J/B) electrical connectors. Refer to [PG-41, "Harness Layout"](#) .
10. Disconnect the steering member from each side of the vehicle body.
11. Remove the heater and cooling unit assembly with it attached to the steering member, from the vehicle.

CAUTION:

Use care not to damage the seats and interior trim panels when removing the heater and cooling unit assembly with it attached to the steering member.

12. Remove the heater and cooling unit assembly from the steering member.

INSTALLATION

Installation is in the reverse order of removal.

CAUTION:

- **Replace the O-rings of the low-pressure pipe and high-pressure pipe with new ones, then apply compressor oil to them when installing them.**
- **After charging the refrigerant, check for leaks.**

NOTE:

- Fill the engine cooling system with the specified coolant mixture. Refer to [MA-11, "Fluids and Lubricants"](#) .
- Recharge the A/C system. Refer to [MTC-112, "Evacuating System and Charging Refrigerant"](#) .

A

B

C

D

E

F

G

H

I

MTC

K

L

M

HEATER CORE

HEATER CORE

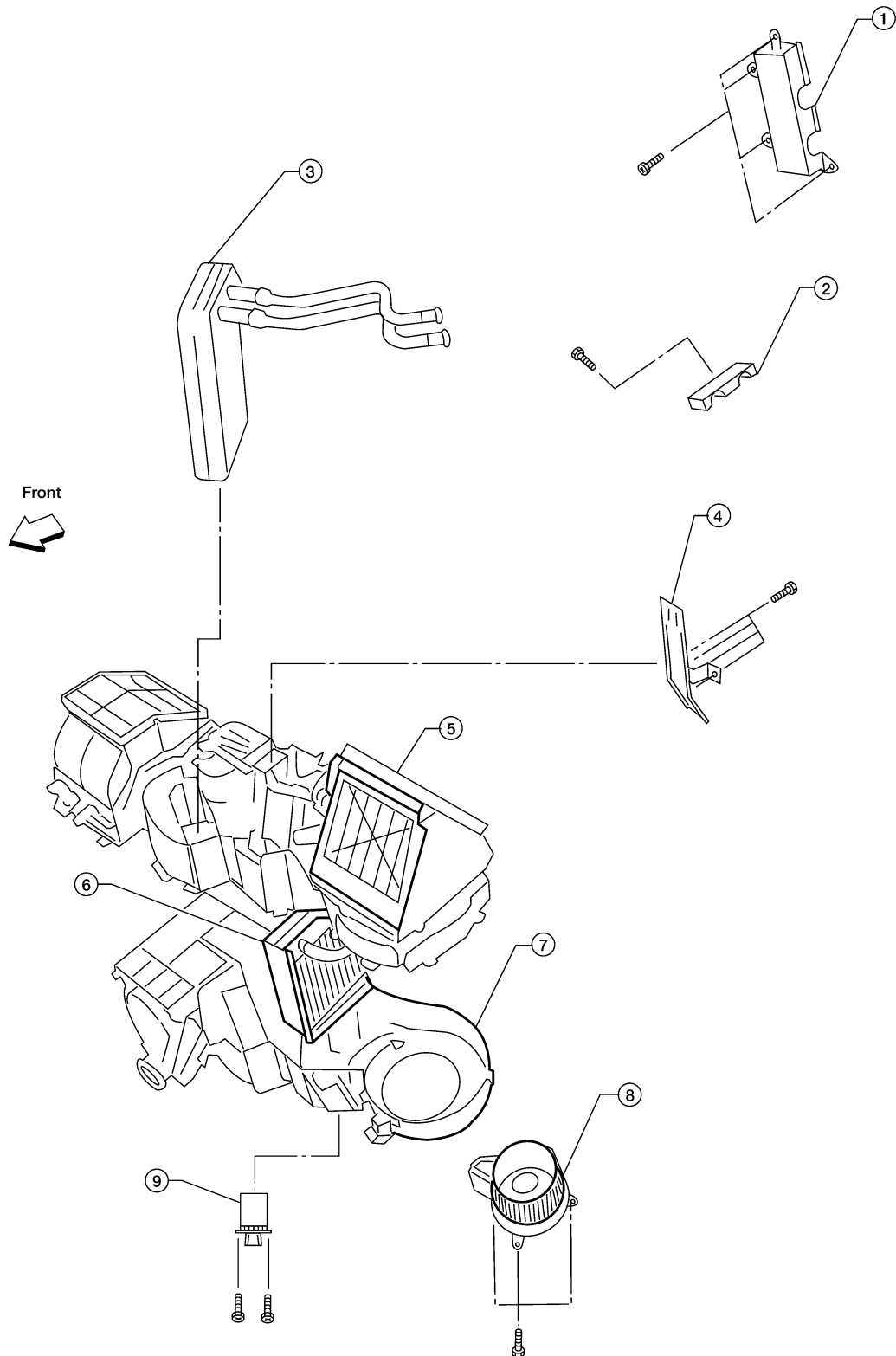
PF27140

Removal and Installation

EJS00330

Heater and Cooling Unit Assembly

SEC. 271



- | | | |
|---------------------------------------|---------------------------------------|----------------------------|
| 1. Heater core cover | 2. Heater core pipe bracket | 3. Heater core |
| 4. Upper bracket | 5. Upper heater and cooling unit case | 6. A/C evaporator |
| 7. Lower heater and cooling unit case | 8. Blower motor | 9. Variable blower control |

LJIA0138E

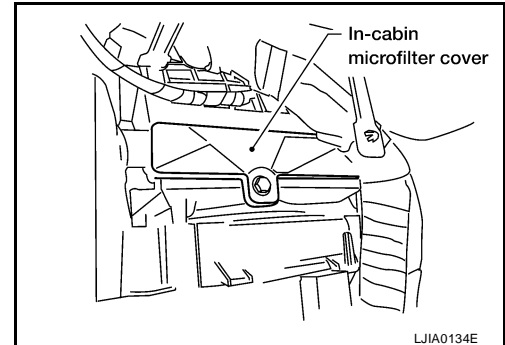
HEATER CORE

REMOVAL

1. Remove the heater and cooling unit assembly. Refer to [MTC-100, "Removal and Installation"](#).
2. Remove the four screws and remove the upper bracket.
3. Remove the four screws and remove the heater core cover.
4. Remove the heater core pipe bracket.
5. Remove the heater core.

NOTE:

If the in-cabin microfilters are contaminated from coolant leaking from the heater core, replace the in-cabin microfilters with new ones before installing the new heater core.



INSTALLATION

Installation is in the reverse order of removal.

A

B

C

D

E

F

G

H

I

MTC

K

L

M

DEFROSTER DOOR MOTOR

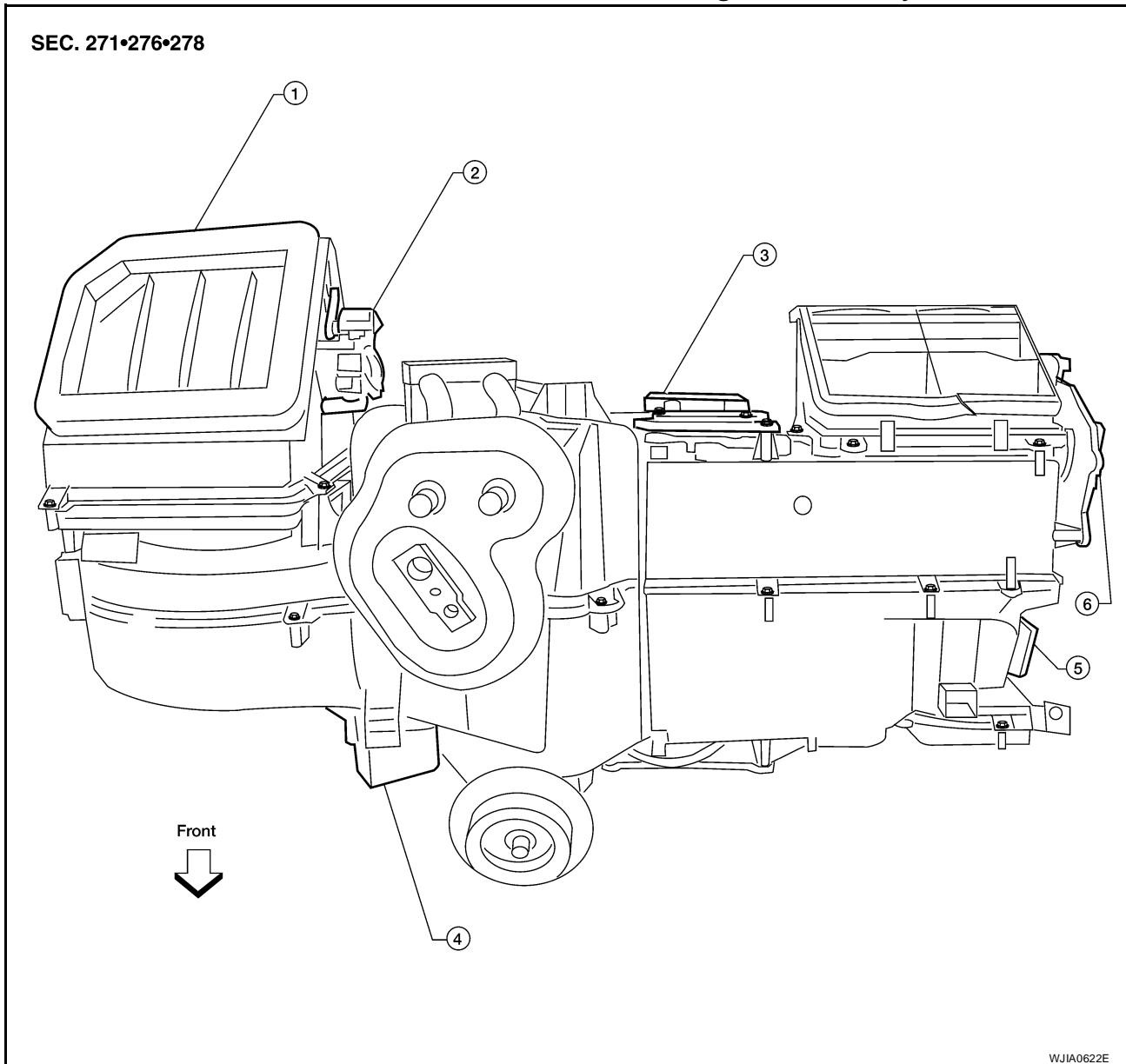
DEFROSTER DOOR MOTOR

PF2:27733

Removal and Installation

EJS00331

Defroster Door Motor - Heater and Cooling Unit Assembly



- | | | |
|-------------------------------------|----------------------|-------------------------|
| 1. Heater and cooling unit assembly | 2. Intake door motor | 3. Air mix door motor |
| 4. Variable blower control | 5. Mode door motor | 6. Defroster door motor |

REMOVAL

1. Remove the BCM. Refer to [BCS-20, "BCM"](#).
2. Remove the audio amplifier, if equipped. Refer to [AV-74, "AUDIO AMP."](#)
3. Disconnect the defroster door motor electrical connector.
4. Remove the three screws and remove the defroster door motor.

INSTALLATION

Installation is in the reverse order of removal.

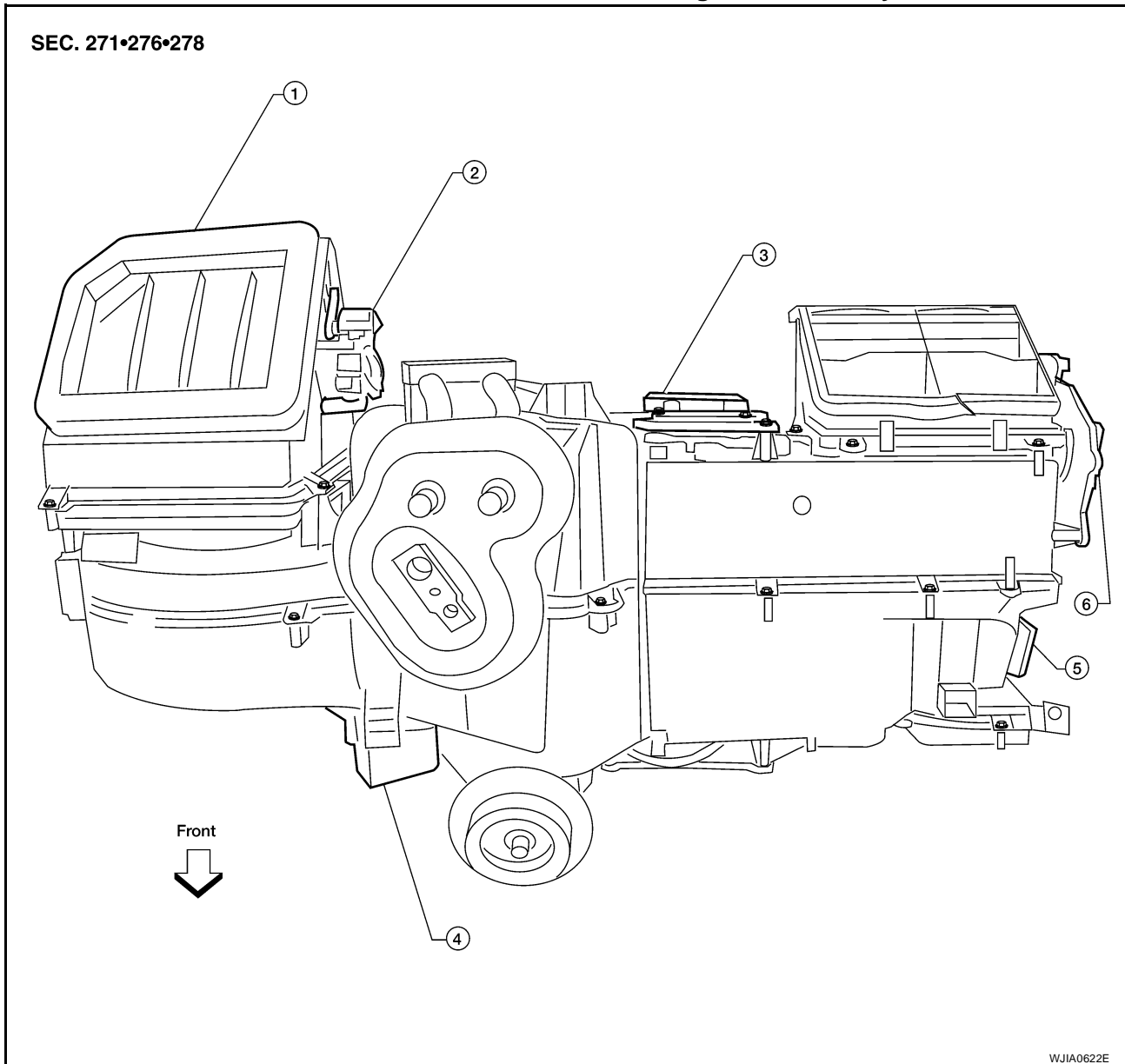
INTAKE DOOR MOTOR

PFP:27730

EJS00332

INTAKE DOOR MOTOR Removal and Installation

Intake Door Motor - Heater and Cooling Unit Assembly



- | | | |
|-------------------------------------|----------------------|-------------------------|
| 1. Heater and cooling unit assembly | 2. Intake door motor | 3. Air mix door motor |
| 4. Variable blower control | 5. Mode door motor | 6. Defroster door motor |

REMOVAL

1. Remove the heater and cooling unit assembly. Refer to [MTC-100, "Removal and Installation"](#).
2. Remove the steering member from the heater and cooling unit assembly.
3. Disconnect the intake door motor electrical connector.
4. Remove the three screws and remove the intake door motor.

INSTALLATION

Installation is in the reverse order of removal.

MODE DOOR MOTOR

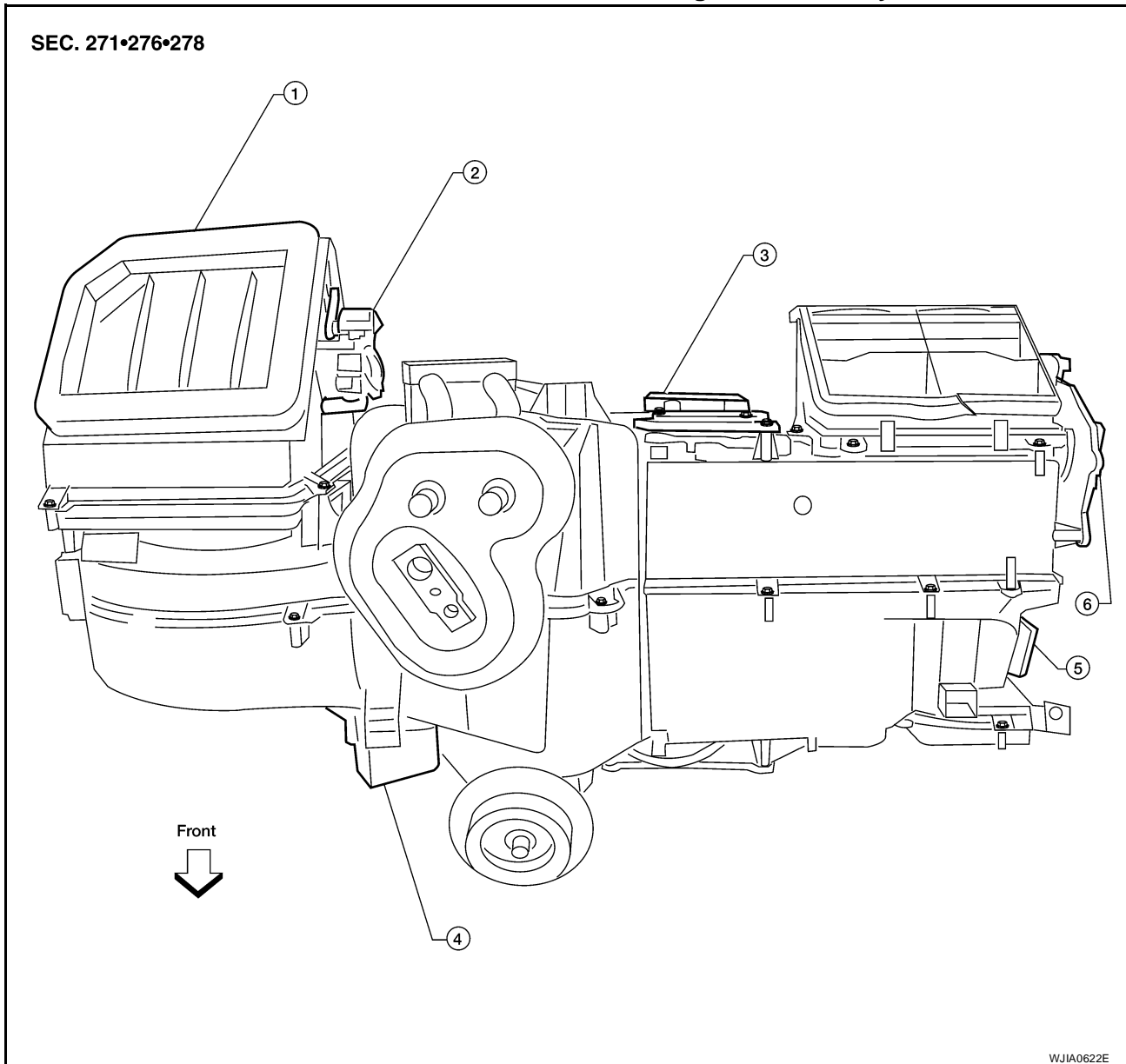
MODE DOOR MOTOR

PF2:27731

Removal and Installation

EJS00333

Mode Door Motor - Heater and Cooling Unit Assembly



- | | | |
|-------------------------------------|----------------------|-------------------------|
| 1. Heater and cooling unit assembly | 2. Intake door motor | 3. Air mix door motor |
| 4. Variable blower control | 5. Mode door motor | 6. Defroster door motor |

REMOVAL

1. Remove the center console lower cover LH. Refer to [IP-15, "REMOVAL AND INSTALLATION"](#).
2. Disconnect the mode door motor electrical connector.
3. Remove the two screws and remove the mode door motor.

INSTALLATION

Installation is in the reverse order of removal.

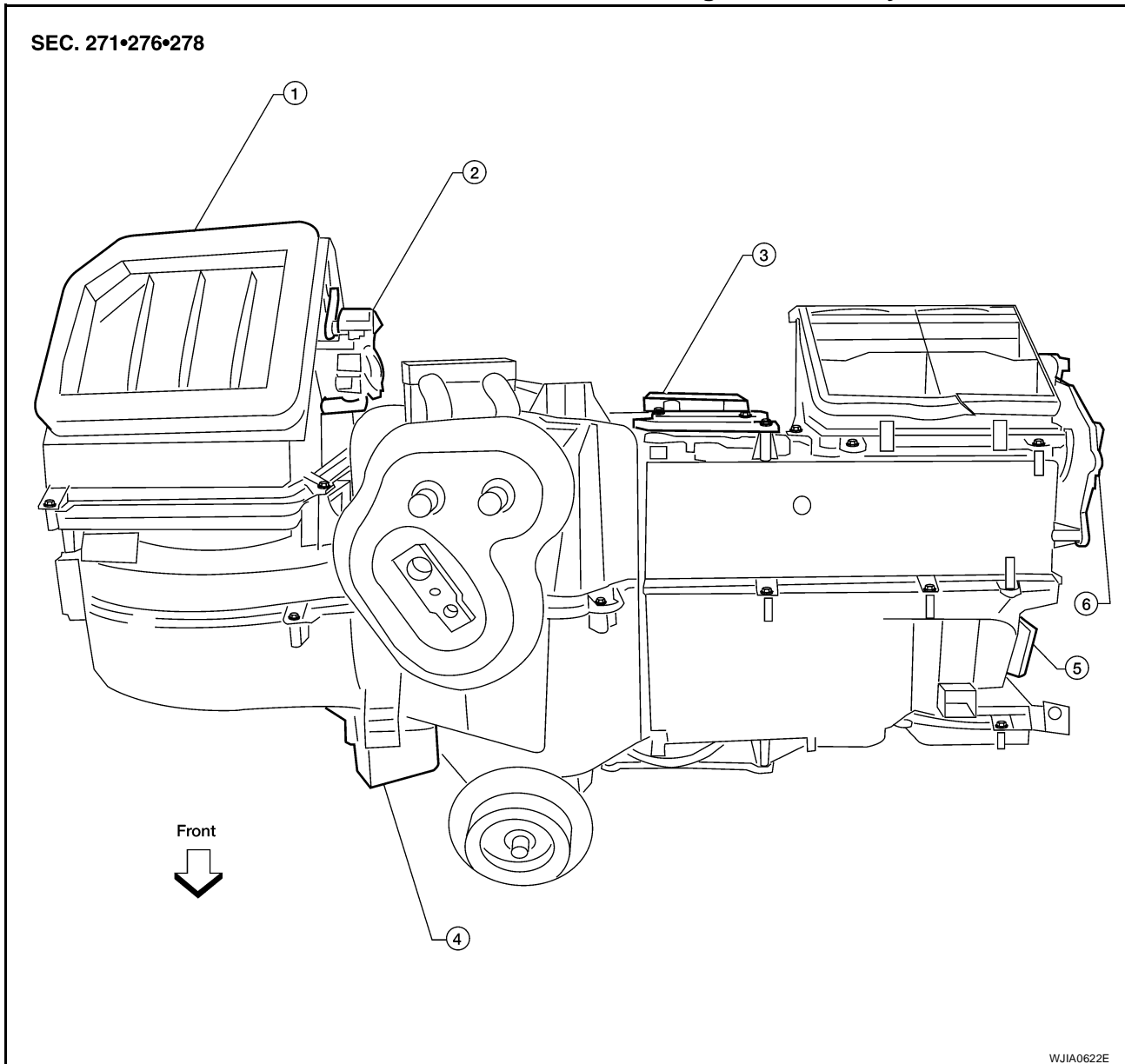
AIR MIX DOOR MOTOR

PFP:27732

EJS00334

AIR MIX DOOR MOTOR Removal and Installation

Air Mix Door Motor - Heater and Cooling Unit Assembly



- | | | |
|-------------------------------------|----------------------|-------------------------|
| 1. Heater and cooling unit assembly | 2. Intake door motor | 3. Air mix door motor |
| 4. Variable blower control | 5. Mode door motor | 6. Defroster door motor |

REMOVAL

1. Remove the heater and cooling unit assembly. Refer to [MTC-100, "Removal and Installation"](#).
2. Remove the steering member from the heater and cooling unit assembly.
3. Disconnect the air mix door motor electrical connector.
4. Remove the three screws and remove the air mix door motor.

INSTALLATION

Installation is in the reverse order of removal.

VARIABLE BLOWER CONTROL

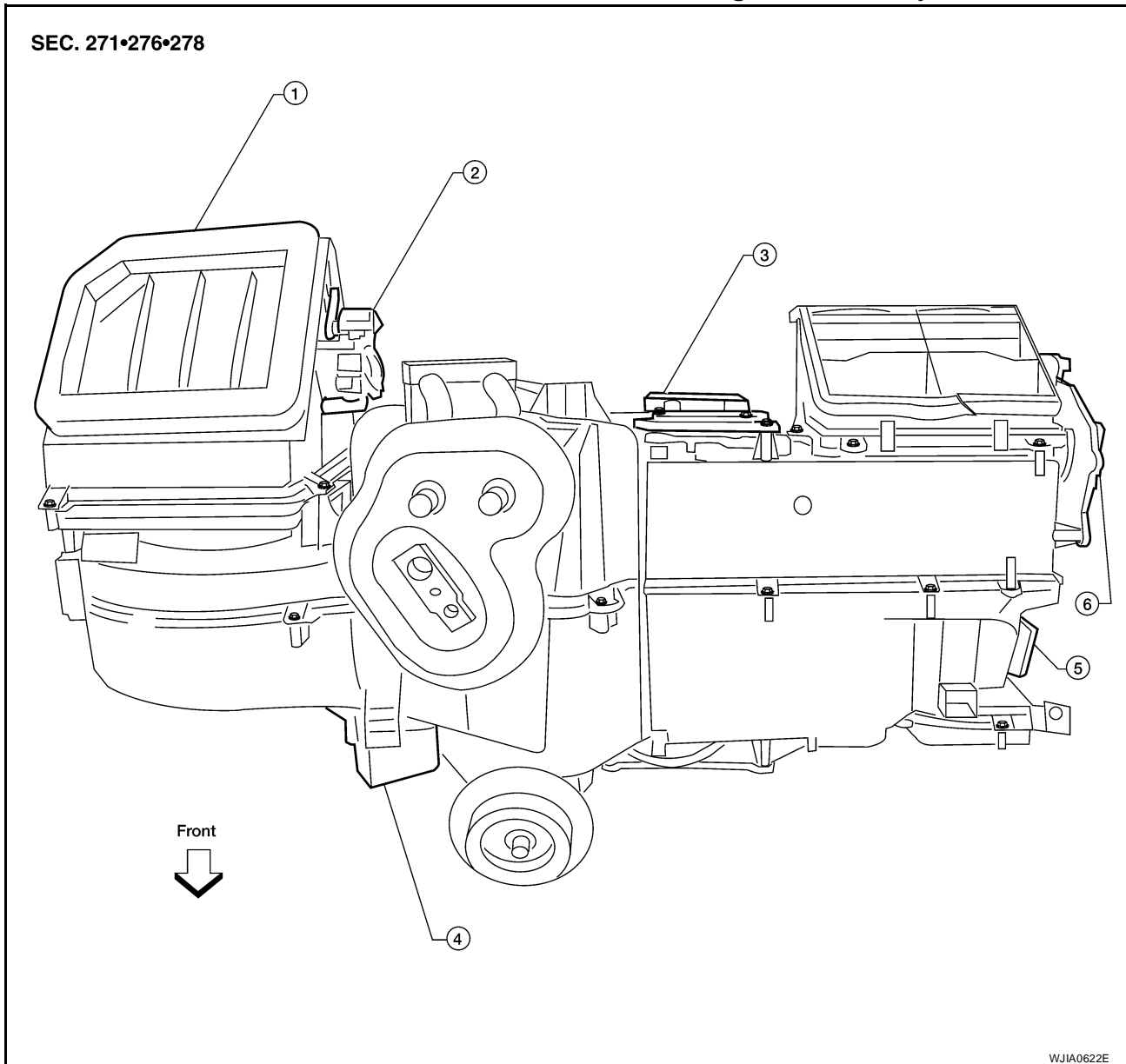
VARIABLE BLOWER CONTROL

PF2:27200

Removal and Installation

EJS00335

Variable Blower Control - Heater and Cooling Unit Assembly



- | | | |
|-------------------------------------|----------------------|-------------------------|
| 1. Heater and cooling unit assembly | 2. Intake door motor | 3. Air mix door motor |
| 4. Variable blower control | 5. Mode door motor | 6. Defroster door motor |

REMOVAL

1. Remove the glove box assembly. Refer to [IP-14, "LOWER INSTRUMENT PANEL RH AND GLOVE BOX"](#).
2. Disconnect the variable blower control electrical connector.
3. Remove the two screws and remove the variable blower control.

INSTALLATION

Installation is in the reverse order of removal.

DUCTS AND GRILLES

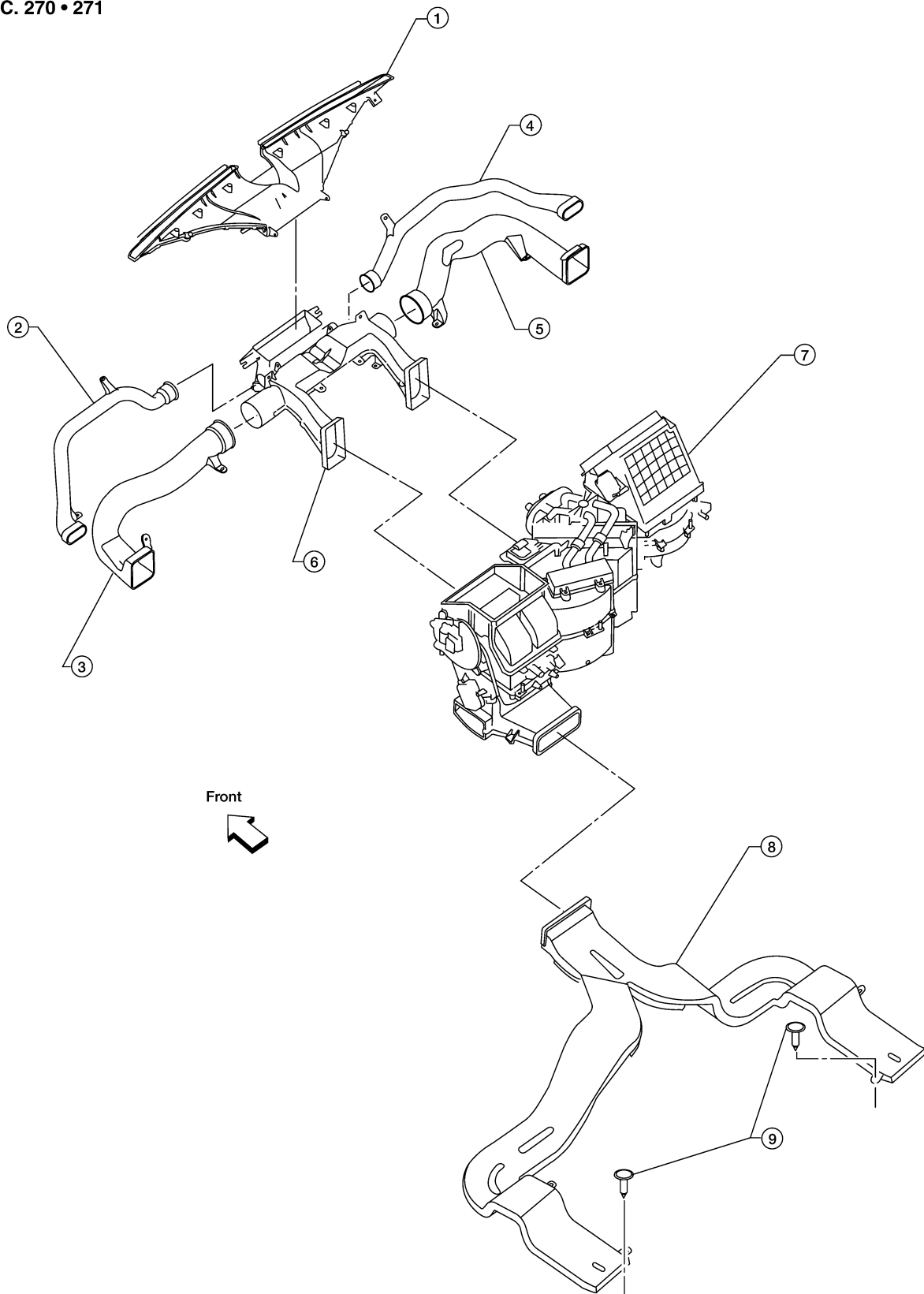
DUCTS AND GRILLES Removal and Installation

PFP:27860

EJS00336

Ducts - Heater and Cooling Unit Assembly

SEC. 270 • 271

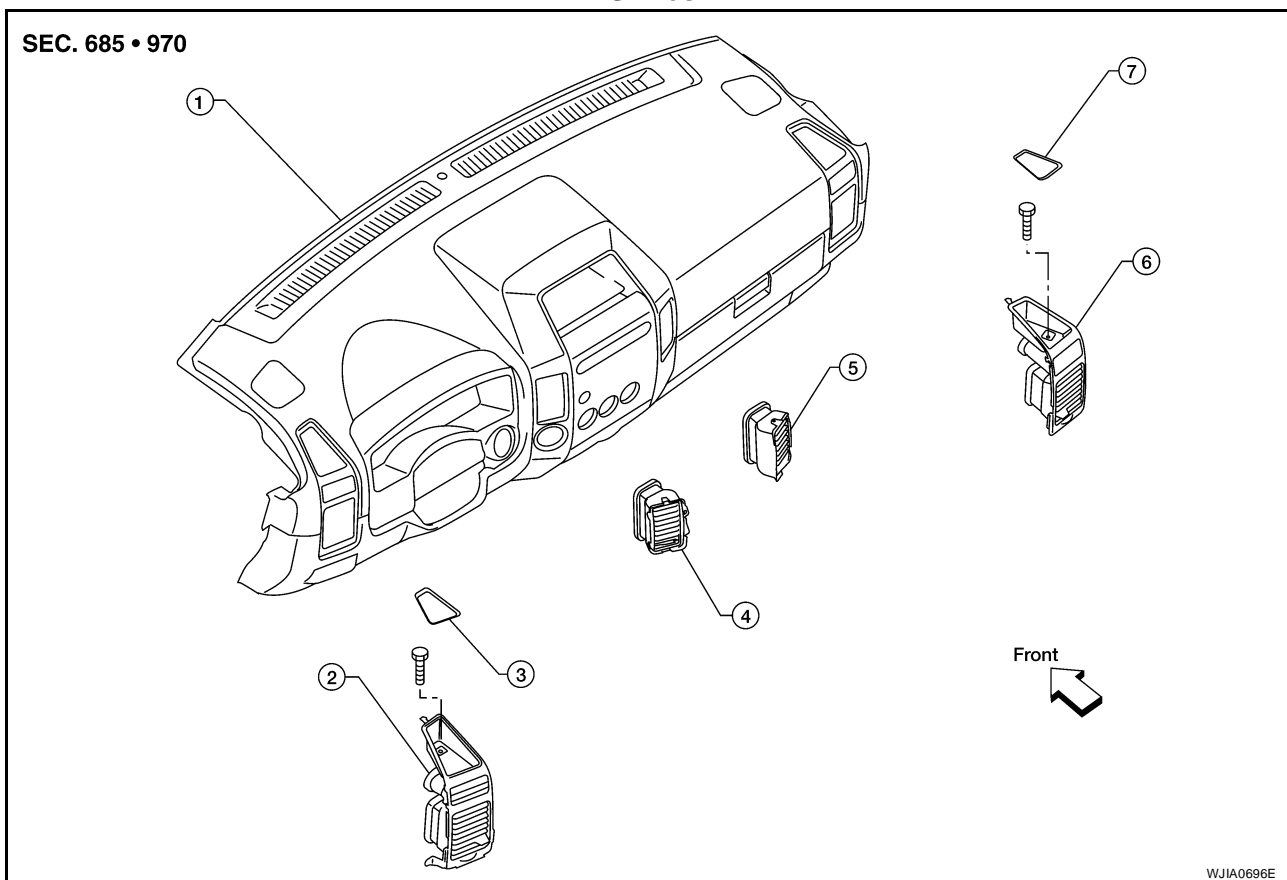


A
B
C
D
E
F
G
H
I
MTC
K
L
M

DUCTS AND GRILLES

- | | | |
|-------------------------------------|--------------------------|---------------------------|
| 1. Defroster nozzle | 2. LH side demister duct | 3. LH ventilator duct |
| 4. RH side demister duct | 5. RH ventilator duct | 6. Center ventilator duct |
| 7. Heater and cooling unit assembly | 8. Floor duct | 9. Clips |

Grilles



- | | | |
|-----------------------------------|--------------------------------|-----------------------------------|
| 1. Instrument panel | 2. Side ventilator assembly LH | 3. Storage tray bottom cover (LH) |
| 4. Cluster lid D ventilator LH | 5. Cluster lid D ventilator RH | 6. Side ventilator assembly RH |
| 7. Storage tray bottom cover (RH) | | |

DEFROSTER NOZZLE

Removal

1. Remove the instrument panel trim. Refer to [IP-10, "Removal and Installation"](#).
2. Remove the heater and cooling unit assembly. Refer to [MTC-100, "Removal and Installation"](#).
3. Remove the defroster nozzle.

Installation

Installation is in the reverse order of removal.

RH AND LH SIDE DEMISTER DUCT

Removal

1. Remove the instrument panel trim. Refer to [IP-10, "Removal and Installation"](#).
2. Remove the heater and cooling unit assembly. Refer to [MTC-100, "Removal and Installation"](#).
3. Remove the RH or LH side demister duct.

Installation

Installation is in the reverse order of removal.

RH AND LH VENTILATOR DUCT

Removal

1. Remove the instrument panel trim. Refer to [IP-10, "Removal and Installation"](#).
2. Remove the heater and cooling unit assembly. Refer to [MTC-100, "Removal and Installation"](#).

DUCTS AND GRILLES

3. Remove the RH or LH ventilator duct.

Installation

Installation is in the reverse order of removal.

CENTER VENTILATOR DUCT

Removal

1. Remove the instrument panel trim. Refer to [IP-10, "Removal and Installation"](#) .
2. Remove the heater and cooling unit assembly. Refer to [MTC-100, "Removal and Installation"](#) .
3. Remove the defroster nozzle.
4. Remove the RH and LH side demister ducts.
5. Remove the RH and LH ventilator ducts.
6. Remove the center ventilator duct.

Installation

Installation is in the reverse order of removal.

FLOOR DUCT

Removal

1. Remove the floor carpet. Refer to [EI-41, "FLOOR TRIM"](#) .
2. Remove the two clips and remove the floor duct.

Installation

Installation is in the reverse order of removal.

GRILLES

Removal

1. Remove the interior trim panel as necessary. Refer to [EI-36, "BODY SIDE TRIM"](#) or [EI-43, "HEADLINING"](#) .
2. Remove the ventilator grille from the interior trim panel.

Installation

Installation is in the reverse order of removal.

A

B

C

D

E

F

G

H

I

MTC

K

L

M

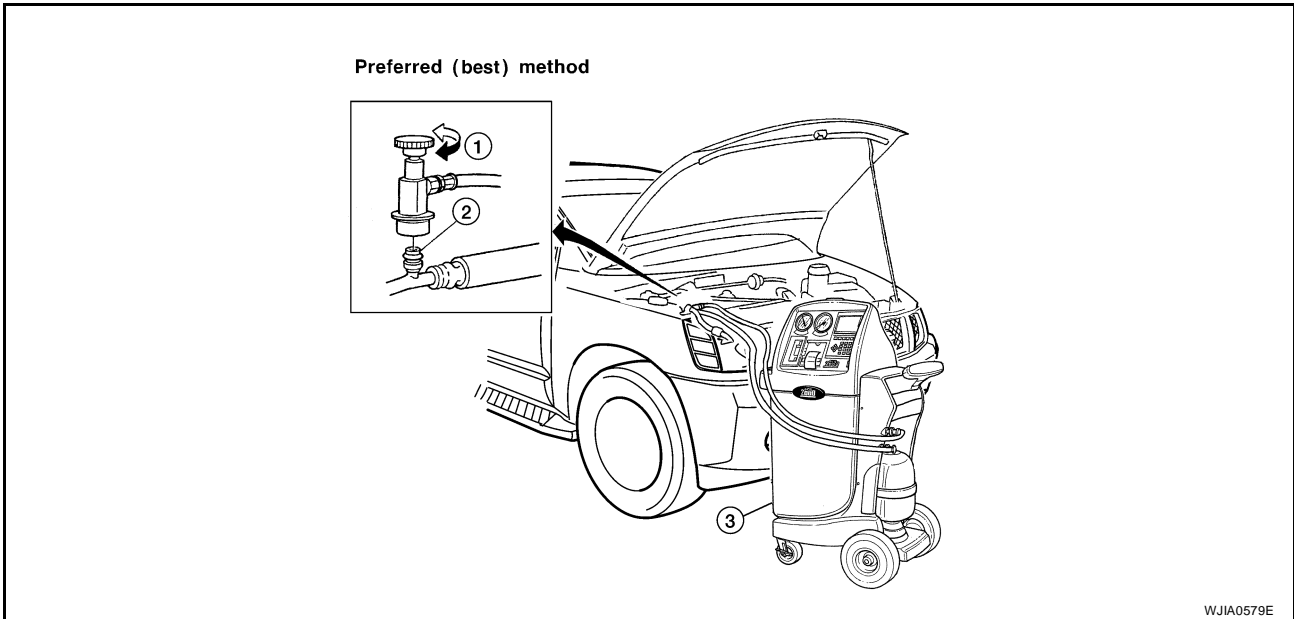
REFRIGERANT LINES

PF9:92600

EJS00337

REFRIGERANT LINES

HFC-134a (R-134a) Service Procedure SETTING OF SERVICE TOOLS AND EQUIPMENT Discharging Refrigerant



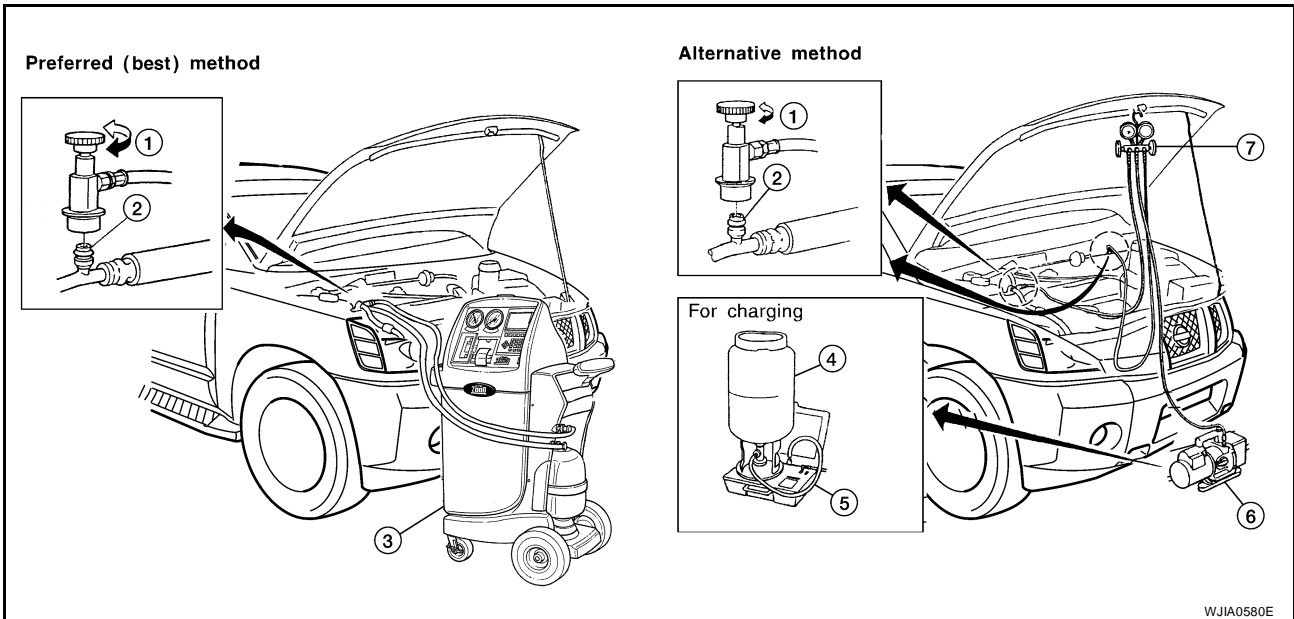
WJIA0579E

- 1. Shut-off valve
- 2. A/C service valve
- 3. Recovery/recycling equipment

WARNING:

Avoid breathing A/C refrigerant and oil vapor or mist. Exposure may irritate eyes, nose and throat. Remove HFC-134a (R-134a) refrigerant from the A/C system using certified service equipment meeting requirements of SAE J2210 HFC-134a (R-134a) recycling equipment or SAE J2201 HFC-134a (R-134a) recovery equipment. If an accidental system discharge occurs, ventilate the work area before resuming service. Additional health and safety information may be obtained from the refrigerant and oil manufacturers.

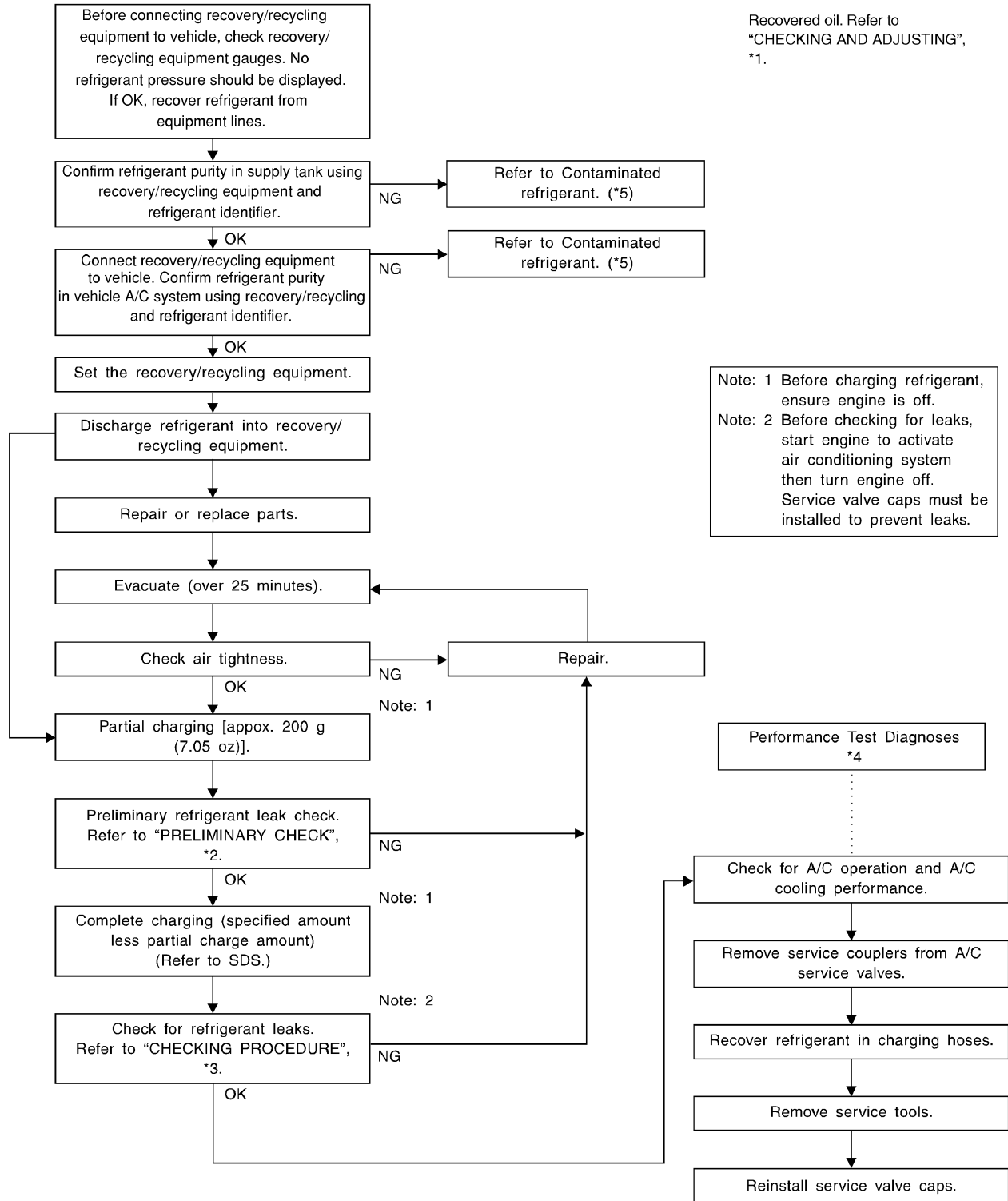
Evacuating System and Charging Refrigerant



WJIA0580E

- 1. Shut-off valve
- 2. A/C service valve
- 3. Recovery/recycling equipment
- 4. Refrigerant container (HFC-134a)
- 5. Weight scale (J-39650)
- 6. Evacuating vacuum pump (J-39699)
- 7. Manifold gauge set (J-39183)

REFRIGERANT LINES



*1 [MTC-20, "CHECKING AND ADJUSTING"](#)

*2 [MTC-123, "PRELIMINARY CHECK"](#)

*3 [MTC-125, "CHECKING PROCEDURE"](#)

*4 [MTC-83, "PERFORMANCE TEST DIAGNOSES"](#)

*5 [MTC-4, "Contaminated Refrigerant"](#)

WJIA1923E

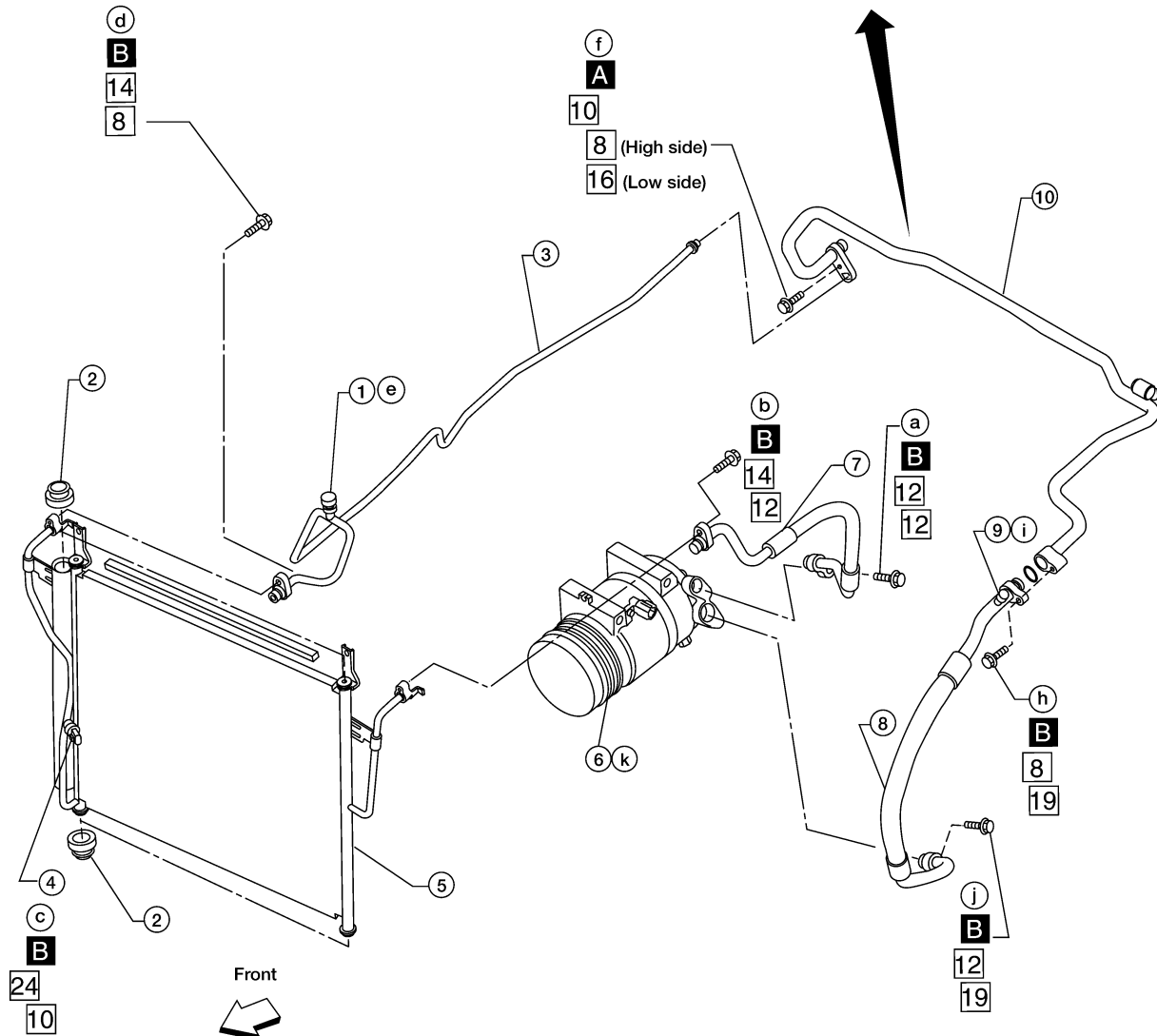
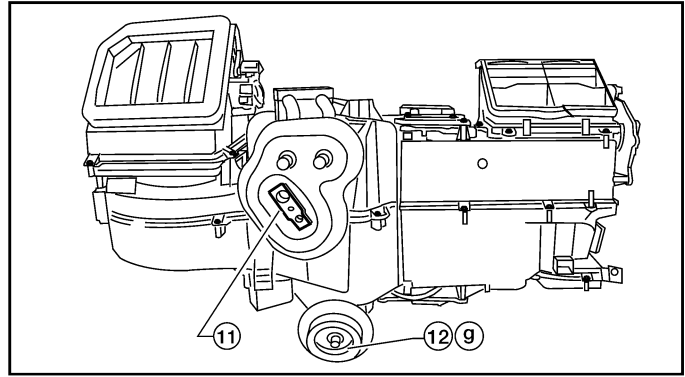
REFRIGERANT LINES

Components

EJS00338

A/C Compressor and Condenser

SEC. 214 • 271 • 274 • 276



- : Refrigerant leak checking order (a-k)
- : Tightening torque
- □ : Wrench size
- : O-ring size
- ⊗ : N·m (kg-m, in-lb)
- A ⊗ : 3.4 (0.35 , 30)
- B ⊗ : 9.3 (0.95 , 82)

WJIA1577E

REFRIGERANT LINES

- | | | |
|--------------------------------|-------------------------------|-------------------------------|
| 1. High-pressure service valve | 2. Grommet | 3. High-pressure pipe |
| 4. Refrigerant pressure sensor | 5. Condenser | 6. Compressor shaft seal |
| 7. High-pressure flexible hose | 8. Low-pressure flexible hose | 9. Low-pressure service valve |
| 10. Low-pressure pipe | 11. Expansion valve | 12. Drain hose |

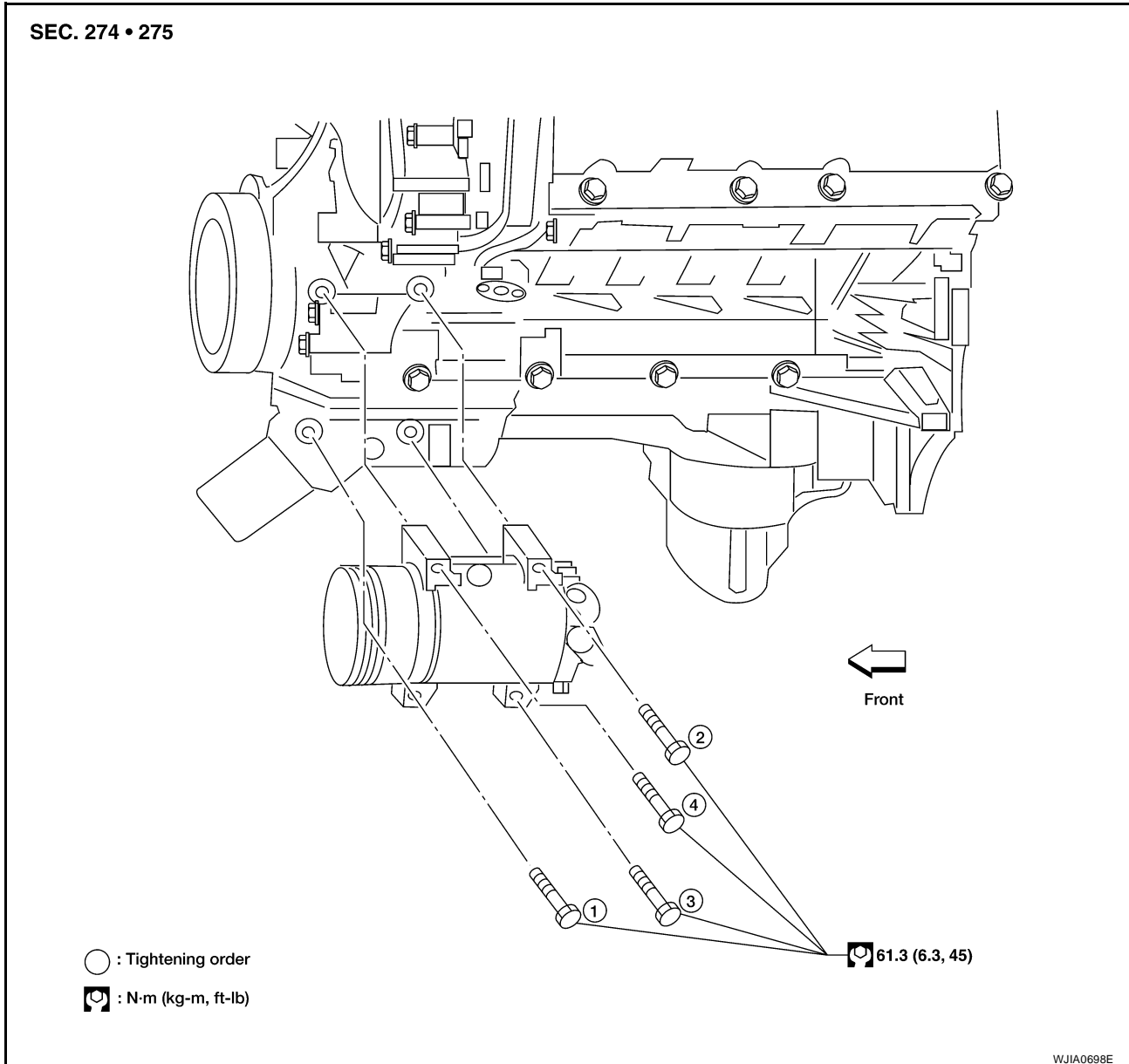
NOTE:

Refer to [MTC-6, "Precautions for Refrigerant Connection"](#) .

Removal and Installation for Compressor

EJS00339

A/C Compressor Mounting



REMOVAL

1. Discharge the refrigerant. Refer to [MTC-112, "HFC-134a \(R-134a\) Service Procedure"](#) .
2. Remove the front right wheel and tire assembly. Refer to [WT-8, "Rotation"](#) .
3. Remove the engine under cover and the splash shield using power tool.
4. Remove the engine air cleaner and air ducts. Refer to [EM-15, "AIR CLEANER AND AIR DUCT"](#) .
5. Remove the drive belt. Refer to [EM-13, "DRIVE BELTS"](#) .
6. Disconnect the compressor electrical connector.
7. Disconnect the high-pressure flexible hose and low-pressure flexible hose from the compressor.

REFRIGERANT LINES

CAUTION:

Cap or wrap the joint of the pipe with suitable material such as vinyl tape to avoid the entry of air.

8. Remove the compressor bolts and nut using power tools.

INSTALLATION

Installation is in the reverse order of removal.

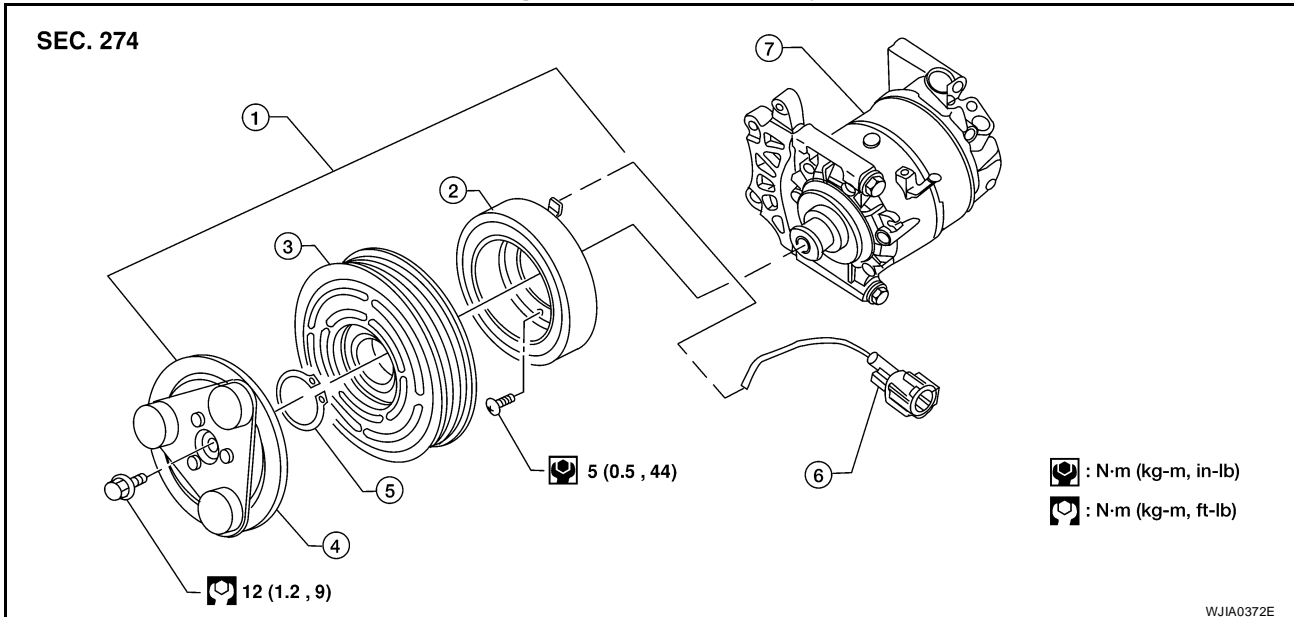
CAUTION:

- Replace the O-ring of the low-pressure flexible hose and high-pressure flexible hose with a new one, apply compressor oil to them when installing them.
- After recharging the A/C system with refrigerant, check for leaks.

Removal and Installation for Compressor Clutch

EJS0033A

Magnet Clutch Assembly



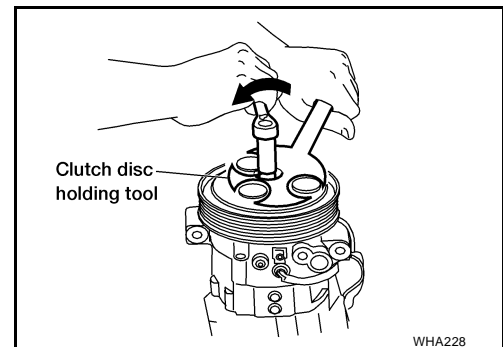
- | | | |
|---------------------------|----------------|---------------------------------|
| 1. Magnet clutch assembly | 2. Magnet coil | 3. Pulley |
| 4. Clutch disc | 5. Snap ring | 6. Thermal protector (built in) |
| 7. Compressor | | |

REMOVAL

1. Remove the compressor. Refer to [MTC-115, "Removal and Installation for Compressor"](#) .
2. Remove the center bolt while holding the clutch disc stationary using Tool as shown.

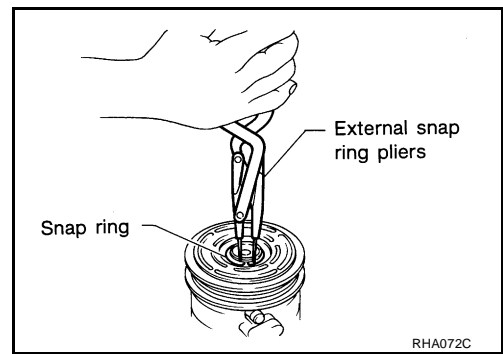
Tool number : J-44614

3. Remove the clutch disc.



REFRIGERANT LINES

4. Remove the snap ring using external snap ring pliers or suitable tool.

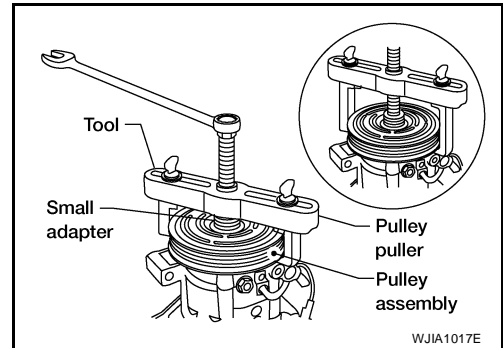


5. Remove the pulley using Tool with a small adapter. Position the small adapter on the end of the drive shaft and the center of the puller on the small adapter.

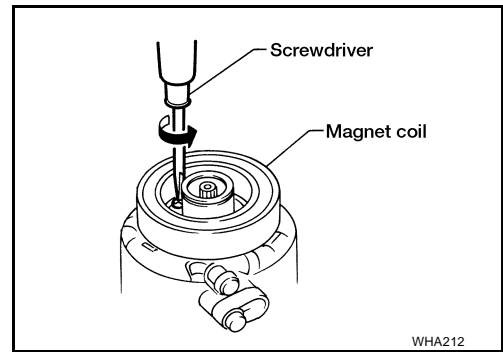
Tool number : KV99233130 (J-29884)

CAUTION:

To prevent deformation of the pulley groove, the puller claws should be hooked under the pulley groove and not into the pulley groove.



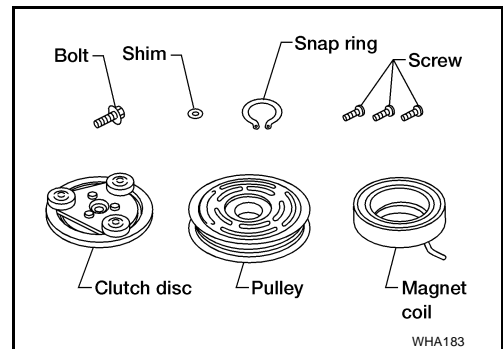
6. Remove the magnet coil harness clip using a screwdriver, remove the three magnet coil fixing screws and remove the magnet coil.



INSPECTION

Clutch Disc

If the contact surface shows signs of damage due to excessive heat, replace clutch disc and pulley.



Pulley

Check the appearance of the pulley assembly. If contact surface of pulley shows signs of excessive grooving, replace clutch disc and pulley. The contact surfaces of the pulley assembly should be cleaned with a suitable solvent before reinstallation.

Coil

Check magnet coil for loose connections or any cracked insulation.

A
B
C
D
E
F
G
H
I
MTC
K
L
M

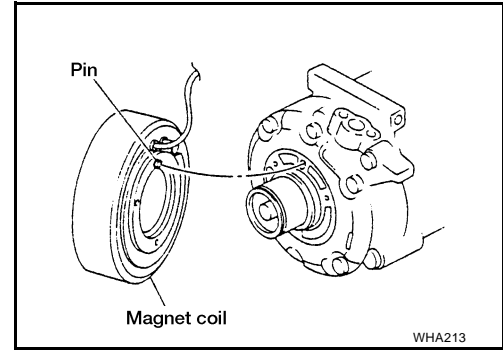
REFRIGERANT LINES

INSTALLATION

1. Install the magnet coil.

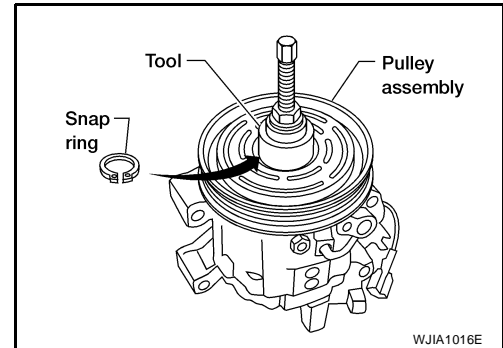
CAUTION:

Be sure to align the magnet coil pin with the hole in the compressor front head.

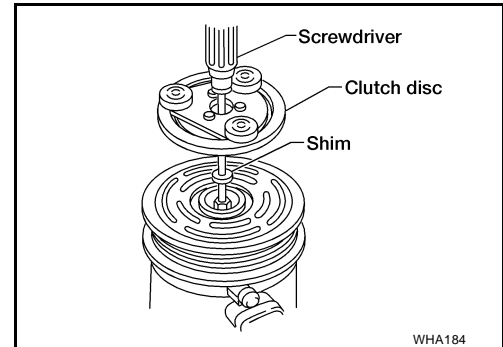


2. Install the magnet coil harness clip using a screwdriver.
3. Install the pulley assembly using Tool and a wrench, then install the snap ring using snap ring pliers.

Tool number : — (J-38873-A)



4. Install the clutch disc on the compressor shaft, together with the original shim(s). Press the clutch disc down by hand.

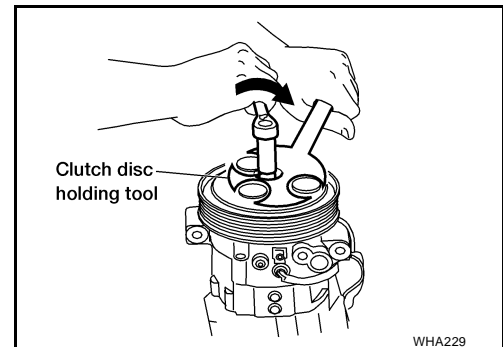


5. Install the clutch pulley bolt using Tool, to prevent the clutch disc from turning and tighten the bolt to specification.

Tool number : J-44614

CAUTION:

After tightening the clutch pulley bolt, check that the clutch pulley rotates smoothly.

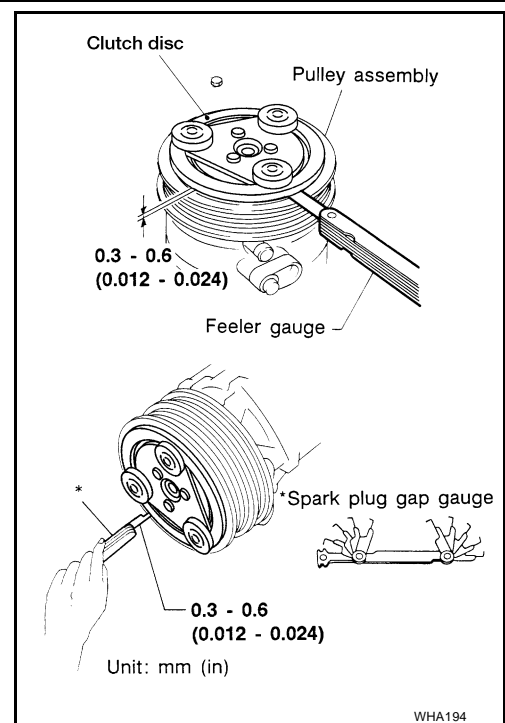


REFRIGERANT LINES

6. Check the pulley clearance all the way around the clutch disc as shown.

**Clutch disc-to-pulley clearance : 0.3 - 0.6 mm
(0.012 - 0.024 in)**

7. If the specified clearance is not obtained, replace the adjusting spacer to readjust.
8. Connect the compressor electrical connector.
9. Install the drive belt. Refer to [EM-13, "DRIVE BELTS"](#).
10. Install the engine under cover and the splash shield.



BREAK-IN OPERATION

When replacing compressor clutch assembly, always conduct the break-in operation. This is done by engaging and disengaging the clutch about 30 times. Break-in operation raises the level of transmitted torque.

Removal and Installation for Low-pressure Flexible Hose

EJS0033B

REMOVAL

1. Remove the engine room cover using power tool.
2. Remove the engine air cleaner and air ducts. Refer to [EM-15, "AIR CLEANER AND AIR DUCT"](#).
3. Discharge the refrigerant. Refer to [MTC-112, "HFC-134a \(R-134a\) Service Procedure"](#).

CAUTION:

Cap or wrap the joint of the pipe with suitable material such as vinyl tape to avoid the entry of air.

4. Remove the low-pressure flexible hose.

INSTALLATION

Installation is in the reverse order of removal.
Refer to [MTC-114, "Components"](#).

CAUTION:

- Replace the O-ring of the low-pressure flexible hose with a new one, then apply compressor oil to it when installing it.
- After charging refrigerant, check for leaks.

Removal and Installation for High-pressure Flexible Hose

EJS0033C

REMOVAL

1. Remove the engine under cover using power tool.
2. Remove the engine air cleaner and air ducts. Refer to [EM-15, "AIR CLEANER AND AIR DUCT"](#).
3. Discharge the refrigerant. Refer to [MTC-112, "HFC-134a \(R-134a\) Service Procedure"](#).
4. Remove the high-pressure flexible hose.

CAUTION:

Cap or wrap the joint of the pipe with suitable material such as vinyl tape to avoid the entry of air.

INSTALLATION

Installation is in the reverse order of removal.
Refer to [MTC-114, "Components"](#).

REFRIGERANT LINES

CAUTION:

- Replace the O-ring of the high-pressure flexible hose with a new one, then apply compressor oil to it when installing it.
- After charging refrigerant, check for leaks.

Removal and Installation for High-pressure Pipe

EJS0033D

REMOVAL

1. Disconnect the battery negative terminal and battery positive terminal.
2. Reposition the IPDM E/R aside.
3. Remove the front right wheel and tire assembly. Refer to [WT-8, "Rotation"](#) .
4. Position aside the front floor insulator.
5. Discharge the refrigerant. Refer to [MTC-112, "HFC-134a \(R-134a\) Service Procedure"](#) .
6. Remove the low pressure pipe.
7. Remove the high-pressure pipe.

CAUTION:

Cap or wrap the joint of the pipe with suitable material such as vinyl tape to avoid the entry of air.

INSTALLATION

Installation is in the reverse order of removal.
Refer to [MTC-114, "Components"](#) .

CAUTION:

- Replace the O-ring of the high-pressure pipe with a new one, then apply compressor oil to it when installing it.
- After charging refrigerant, check for leaks.

Removal and Installation for Low-pressure Pipe

EJS0033E

REMOVAL

1. Discharge the refrigerant. Refer to [MTC-112, "HFC-134a \(R-134a\) Service Procedure"](#) .
2. Remove the low-pressure pipe.

CAUTION:

Cap or wrap the joint of the pipes with suitable material such as vinyl tape to avoid the entry of air.

INSTALLATION

Installation is in the reverse order of removal.
Refer to [MTC-114, "Components"](#) .

CAUTION:

- Replace the O-ring of the high/low-pressure pipe with a new one, then apply compressor oil to it when installing it.
- After charging refrigerant, check for leaks.

Removal and Installation for Refrigerant Pressure Sensor

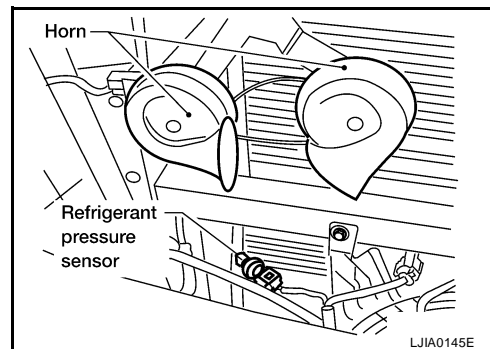
EJS0033F

REMOVAL

1. Disconnect the refrigerant pressure sensor electrical connector.
2. Disconnect the refrigerant pressure sensor electrical connector and remove the refrigerant pressure sensor from the condenser.

CAUTION:

Be careful not to damage the condenser fins.



INSTALLATION

Installation is in the reverse order of removal.
Refer to [MTC-114, "Components"](#) .

REFRIGERANT LINES

CAUTION:

- Be careful not to damage the condenser fins.
- Replace the O-ring of the refrigerant pressure sensor with a new one, then apply compressor oil to it when installing it.
- After charging refrigerant, check for leaks.

Removal and Installation for Condenser

EJS0033G

REMOVAL

1. Discharge the refrigerant. Refer to [MTC-112, "HFC-134a \(R-134a\) Service Procedure"](#).
2. Remove the radiator. Refer to [CO-14, "RADIATOR"](#).

CAUTION:

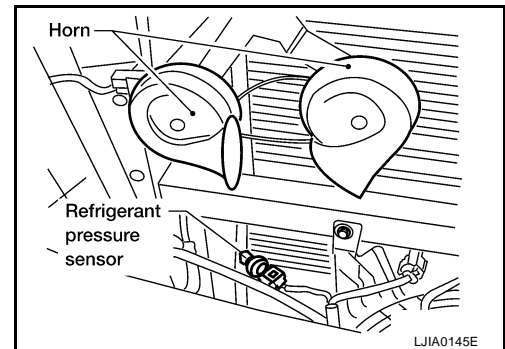
Be careful not to damage the core surface of the condenser and the radiator.

3. Disconnect the high-pressure flexible hose and the high-pressure pipe from the condenser.

CAUTION:

Cap or wrap the joint of the pipe with suitable material such as vinyl tape to avoid the entry of air.

4. Disconnect the refrigerant pressure sensor connector.
 - Remove the refrigerant pressure sensor from the condenser as necessary.
5. Lift the condenser out of the mounting grommets to remove the condenser.



INSTALLATION

Installation is in the reverse order of removal.

CAUTION:

- Replace the O-rings of the high-pressure pipe, refrigerant pressure sensor, and high-pressure flexible hose with new ones, then apply compressor oil to them when installing them.
- Replace the grommets as necessary.
- After charging refrigerant, check for leaks.

A
B
C
D
E
F
G
H
I
MTC
K
L
M

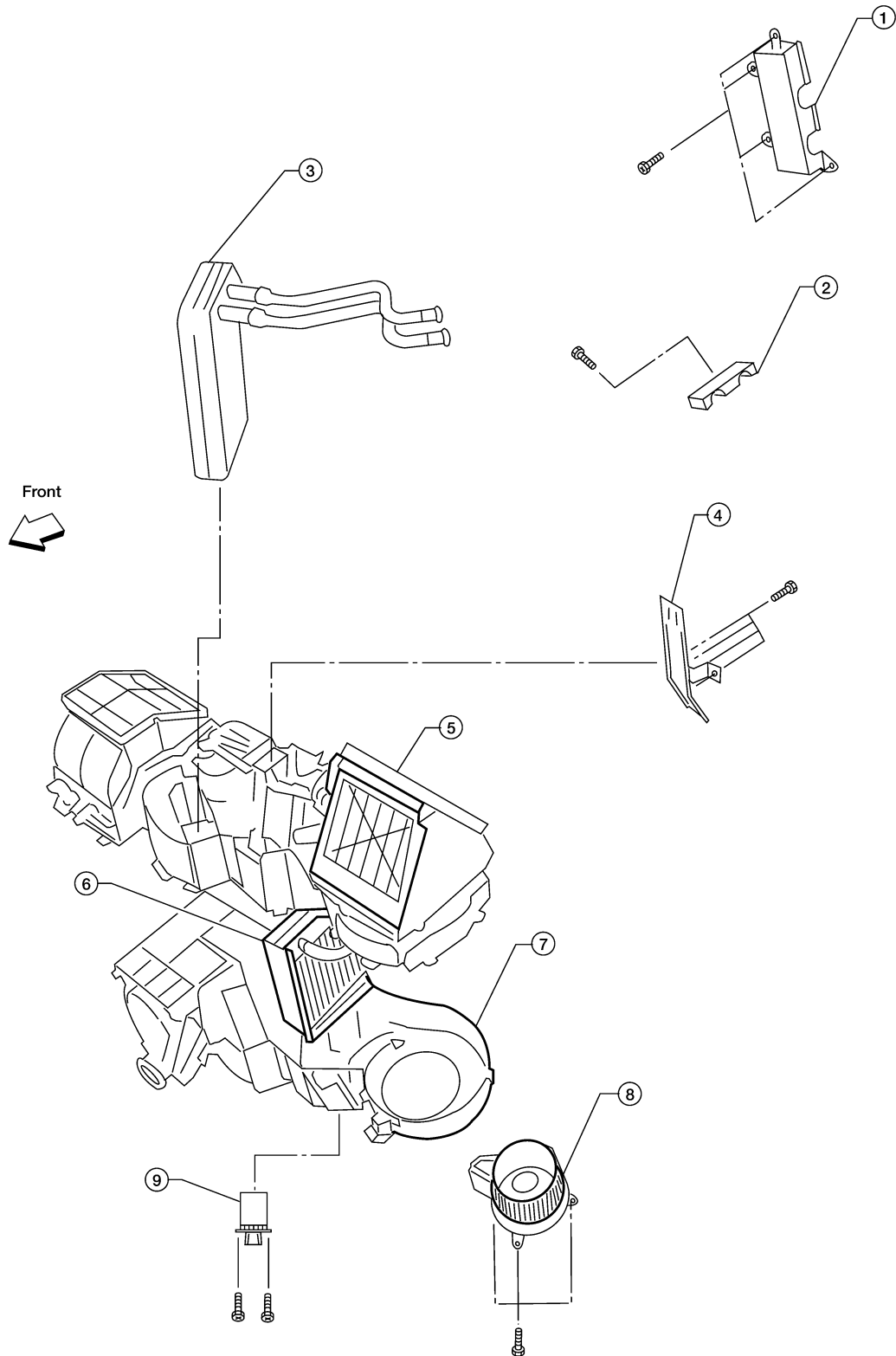
REFRIGERANT LINES

Removal and Installation for Evaporator

EJS0033H

Heater and Cooling Unit Assembly

SEC. 271



- | | | |
|---------------------------------------|---------------------------------------|----------------------------|
| 1. Heater core cover | 2. Heater core pipe bracket | 3. Heater core |
| 4. Upper bracket | 5. Upper heater and cooling unit case | 6. A/C evaporator |
| 7. Lower heater and cooling unit case | 8. Blower motor | 9. Variable blower control |

LJIA0138E

REMOVAL

1. Remove the heater core. Refer to [MTC-102, "Removal and Installation"](#).

REFRIGERANT LINES

2. Remove the defroster mode door arm.
3. Separate the heater core and cooling unit case.
4. Remove the evaporator.

INSTALLATION

Installation is in the reverse order of removal.

CAUTION:

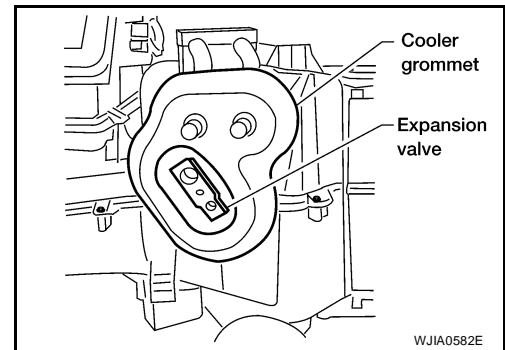
Replace the O-rings on the low-pressure flexible hose and the high-pressure pipe with new ones, then apply compressor oil to them when installing them.

Removal and Installation for Expansion Valve

EJS0033I

REMOVAL

1. Discharge the refrigerant. Refer to [MTC-112, "HFC-134a \(R-134a\) Service Procedure"](#).
2. Remove the evaporator. Refer to [MTC-122, "Removal and Installation for Evaporator"](#).
3. Remove the cooler grommet.
4. Remove the expansion valve.



INSTALLATION

Installation is in the reverse order of removal.

- | | |
|--|--|
| Expansion valve bolts | : 4 N-m (0.41 kg-m, 35 in-lb) |
| A/C refrigerant pipe to expansion valve bolt | : Refer to MTC-114, "Components" . |

CAUTION:

- Replace the O-rings on the A/C refrigerant pipes with new ones, then apply compressor oil to them when installing them.
- After charging refrigerant, check for leaks.

Checking for Refrigerant Leaks

EJS0033J

PRELIMINARY CHECK

Perform a visual inspection of all refrigeration parts, fittings, hoses and components for signs of A/C oil leakage, damage, and corrosion. Any A/C oil leakage may indicate an area of refrigerant leakage. Allow extra inspection time in these areas when using either an electronic refrigerant leak detector (J-41995) or fluorescent dye leak detector (J-42220).

If any dye is observed using a fluorescent dye leak detector (J-42220), confirm the leak using a electronic refrigerant leak detector (J-41995). It is possible that the dye is from a prior leak that was repaired and not properly cleaned.

When searching for leaks, do not stop when one leak is found but continue to check for additional leaks at all system components and connections.

When searching for refrigerant leaks using an electronic refrigerant leak detector (J-41995), move the probe along the suspected leak area at 25 - 50 mm (1 - 2 in) per second and no further than 6 mm (1/4 in) from the component.

CAUTION:

Moving the electronic refrigerant leak detector probe slower and closer to the suspected leak area will improve the chances of finding a leak.

Checking System for Leaks Using the Fluorescent Dye Leak Detector

EJS0033K

1. Check the A/C system for leaks using the fluorescent dye leak detector and safety goggles (J-42220) in a low sunlight area (area without windows preferable). Illuminate all components, fittings and lines. The dye

REFRIGERANT LINES

will appear as a bright green/yellow area at the point of leakage. Fluorescent dye observed at the evaporator drain opening indicates an evaporator core assembly leak (tubes, core or expansion valve).

2. If the suspected area is difficult to see, use an adjustable mirror or wipe the area with a clean shop rag or cloth, then inspect the shop rag or cloth with the fluorescent dye leak detector (J-42220) for dye residue.
3. After the leak is repaired, remove any residual dye using refrigerant dye cleaner (J-43872) to prevent future misdiagnosis.
4. Perform a system performance check and then verify the leak repair using a electronic refrigerant leak detector (J-41995).

NOTE:

- Other gases in the work area or substances on the A/C components, for example, anti-freeze, windshield washer fluid, solvents and oils, may falsely trigger the leak detector. Make sure the surfaces to be checked are clean.
- Clean with a dry cloth or blow off with shop air.
- Do not allow the sensor tip of the electronic refrigerant leak detector (J-41995) to contact with any substance. This can also cause false readings and may damage the detector.

Dye Injection

EJS0033L

NOTE:

This procedure is only necessary when recharging the system or when the compressor has seized and must be replaced.

1. Check the A/C system static (at rest) pressure. Pressure must be at least 345 kPa (3.52 kg-cm² , 50 psi).
2. Pour one bottle 7.4 cc (1/4 ounce) of the HFC-134a (R-134a) fluorescent leak detection dye (J-41447) into the HFC-134a (R-134a) dye injector (J-41459).

CAUTION:

If repairing the A/C system or replacing a component, pour the HFC-134a (R-134a) fluorescent leak detection dye (J-41447) directly into the open system connection and proceed with the service procedures.

3. Connect the refrigerant dye injector (J-41459) to the low-pressure service valve.
4. Start the engine and switch the A/C system ON.
5. When the A/C system is operating (compressor running), inject one bottle 7.4 cc (1/4 ounce) of HFC-134a (R-134a) fluorescent leak detection dye (J-41447) through the low-pressure service valve using HFC-134a (R-134a) dye injector (J-41459). Refer to the manufacturer's operating instructions.
6. With the engine still running, disconnect the HFC-134a (R-134a) dye injector (J-41459) from the low-pressure service valve.
7. Operate the A/C system for a minimum of 20 minutes to mix the HFC-134a (R-134a) fluorescent leak detection dye (J-41447) with the A/C system oil. Depending on the leak size, operating conditions and location of the leak, it may take from minutes to days for the HFC-134a (R-134a) fluorescent leak detection dye to penetrate an A/C system leak and become visible.

Electronic Refrigerant Leak Detector

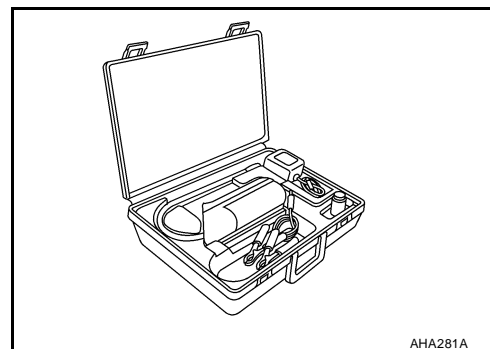
EJS0033M

PRECAUTIONS FOR HANDLING LEAK DETECTOR

NOTE:

When performing a refrigerant leak check, use a electronic refrigerant leak detector (J-41995) or equivalent. Ensure that the electronic refrigerant leak detector (J-41995) is calibrated and set properly according to the manufacturer's operating instructions.

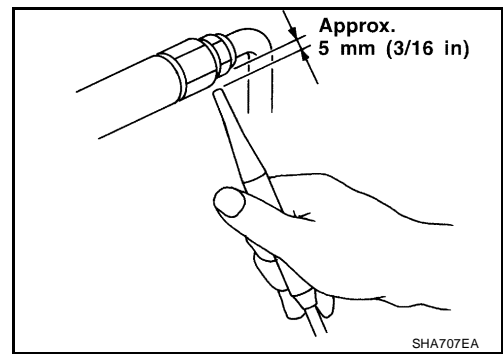
The electronic refrigerant leak detector (J-41995) is a delicate device. To use the electronic refrigerant leak detector (J-41995) properly, read the manufacturer's operating instructions and perform any specified maintenance.



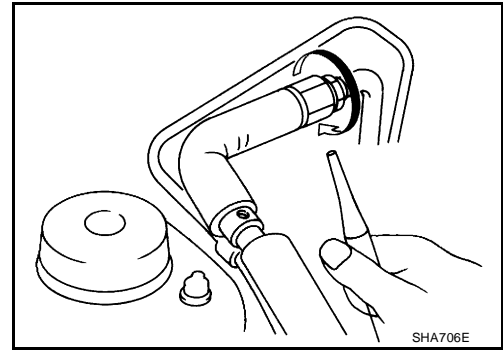
AHA281A

REFRIGERANT LINES

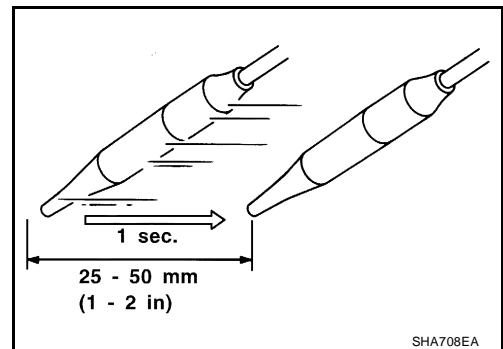
1. Position the probe approximately 5 mm (3/16 in) away from the point to be checked as shown.



2. When checking for leaks, circle each fitting completely with the probe as shown.



3. Move the probe along each component at a speed of approximately 25 - 50 mm (1 - 2 in)/second as shown.



CHECKING PROCEDURE

NOTE:

To prevent inaccurate or false readings, make sure there is no refrigerant vapor, shop chemicals, or cigarette smoke in the vicinity of the vehicle. Perform the leak test in a calm area (low air/wind movement) so that the leaking refrigerant is not dispersed.

1. Turn the engine OFF.
2. Connect the manifold gauge set (J-39183-C) to the A/C service ports. Refer to [MTC-112, "SETTING OF SERVICE TOOLS AND EQUIPMENT"](#).
3. Check if the A/C refrigerant pressure is at least 345 kPa (3.52 kg/cm², 50 psi) above a temperature of 16°C (61°F). If less than specification, recover/evacuate and recharge the system with the specified amount of refrigerant. Refer to [MTC-112, "HFC-134a \(R-134a\) Service Procedure"](#).

NOTE:

At temperatures below 16°C (61°F), leaks may not be detected since the system may not reach 345 kPa (3.52 kg/cm², 50 psi) pressure.

4. Perform the leak test from the high-pressure side (A/C compressor discharge "a" to evaporator inlet "f") to the low-pressure side (evaporator drain hose "g" to compressor shaft seal "k"). Refer to [MTC-114, "Components"](#). Clean the component to be checked and carefully move the electronic refrigerant leak detector probe completely around the following connections and components.

- Check the compressor shaft seal
- Check the high and low-pressure pipe and hose fittings, and relief valve
- Check the liquid tank

A
B
C
D
E
F
G
H
I
MTC
K
L
M

REFRIGERANT LINES

- Check the refrigerant pressure sensor
- Check all around the service valves. Ensure service valve caps are secured on the service valves (to prevent leaks).

NOTE:

After removing manifold gauge set (J-39183-C) from the service valves, wipe any residue from the service valves to prevent any false readings by the electronic refrigerant leak detector (J-41995).

- Evaporator

With engine OFF, turn blower fan on "High" for at least 15 seconds to dissipate any refrigerant trace in the heater and cooling unit assembly. Wait a minimum of 10 minutes accumulation time (refer to the manufacturer's recommended procedure for actual wait time) before inserting the electronic refrigerant leak detector probe into the heater and cooling unit assembly drain hose.

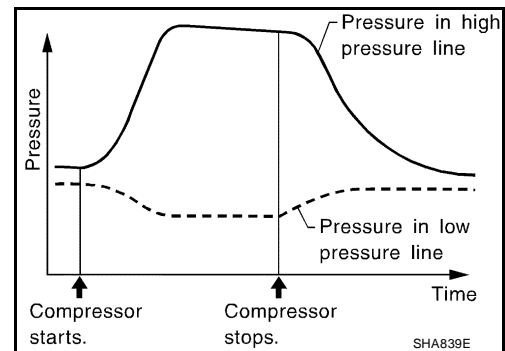
NOTE:

Keep the probe inserted for at least 10 seconds. Use caution not to contaminate the probe tip with water or dirt that may be in the drain hose.

5. If a leak is detected, verify at least once by blowing compressed air into the area of the suspected leak, then repeat the leak check.
6. Do not stop when one leak is found. Continue to check for additional leaks at all system components and connections.
7. If no leaks are found, perform steps 8 - 11.
8. Start the engine.
9. Set the heater A/C controls as follows:
 - a. A/C switch to ON
 - b. Air flow to VENT mode
 - c. Intake position to RECIRCULATION mode
 - d. Temperature to MAX cold
 - e. Blower fan speed to HIGH
10. Run the engine at 1,500 rpm for at least 2 minutes.

11. Turn the engine OFF and perform the leak check again following steps 4 through 6 above.

Refrigerant leaks should be checked immediately after turning the engine OFF. Begin with the leak detector at the compressor. The pressure on the high pressure side will gradually drop after the refrigerant circulation stops and pressure on the low pressure side will gradually rise, as shown in the graph. Some leaks are more easily detected when the pressure is high.



12. Before connecting the recovery/recycling equipment to the vehicle, check the recovery/recycling equipment gauges. No refrigerant pressure should be displayed. If pressure is displayed, recover the refrigerant from the equipment lines and then check the refrigerant purity.
13. Confirm refrigerant purity in supply tank using recovery/recycling equipment and refrigerant identifier equipment.
14. Confirm the refrigerant purity in the vehicle's A/C system using recovery/recycling equipment and refrigerant identifier equipment.
15. Discharge the A/C system using recovery/recycling equipment. Repair the leaking fitting or component as necessary.
16. Evacuate and recharge the A/C system and perform the leak test to confirm that there are no refrigerant leaks.
17. Conduct the Operational Check to ensure system works properly. Refer to [MTC-46, "Operational Check"](#) .

SERVICE DATA AND SPECIFICATIONS (SDS)

SERVICE DATA AND SPECIFICATIONS (SDS)

PFP:00030

Service Data and Specifications (SDS) COMPRESSOR

EJS0033N

Make	ZEXEL VALEO CLIMATE CONTROL
Model	DKS-17D
Type	Swash plate
Displacement	175.5 cm ³ (10.7 in ³) / revolution
Cylinder bore × stroke	30.5 mm (1.20 in) x 24.0 mm (0.94 in)
Direction of rotation	Clockwise (viewed from drive end)
Drive belt	Poly V

OIL

Name	NISSAN A/C System Oil Type S (DH-PS)
Part number	KLH00-PAGS0
Capacity	200 mℓ (6.8 US fl oz, 7.0 Imp fl oz)

REFRIGERANT

Type	HFC-134a (R-134a)
Capacity	0.70 ± 0.05 kg (1.54 ± 0.11 lb)

ENGINE IDLING SPEED

Refer to [EC-630, "Idle Speed and Ignition Timing"](#) .

BELT TENSION

Refer to [EM-13, "Checking Drive Belts"](#) .

A

B

C

D

E

F

G

H

I

MTC

K

L

M

SERVICE DATA AND SPECIFICATIONS (SDS)
