

SECTION **PWO**
POWER OUTLET

A
B
C
D
E
F
G
H
I
J
K
L
N
O
P

CONTENTS

PRECAUTION	2	WIRING DIAGRAM	4
POWER SOCKET	2	POWER SOCKET	4
Precaution for Supplemental Restraint System (SRS) "AIR BAG" and "SEAT BELT PRE-TEN- SIONER"	2	Wiring Diagram - Early Production	4
Precaution for Work	2	Wiring Diagram - Late Production	7
PREPARATION	3	REMOVAL AND INSTALLATION	11
PREPARATION	3	POWER SOCKET	11
Special Service Tool	3	Removal and Installation	11

PWO

POWER SOCKET

< PRECAUTION >

PRECAUTION

POWER SOCKET

Precaution for Supplemental Restraint System (SRS) "AIR BAG" and "SEAT BELT PRE-TENSIONER"

INFOID:000000007304604

The Supplemental Restraint System such as "AIR BAG" and "SEAT BELT PRE-TENSIONER", used along with a front seat belt, helps to reduce the risk or severity of injury to the driver and front passenger for certain types of collision. This system includes seat belt switch inputs and dual stage front air bag modules. The SRS system uses the seat belt switches to determine the front air bag deployment, and may only deploy one front air bag, depending on the severity of a collision and whether the front occupants are belted or unbelted. Information necessary to service the system safely is included in the SR and SB section of this Service Manual.

WARNING:

- To avoid rendering the SRS inoperative, which could increase the risk of personal injury or death in the event of a collision which would result in air bag inflation, all maintenance must be performed by an authorized NISSAN/INFINITI dealer.
- Improper maintenance, including incorrect removal and installation of the SRS, can lead to personal injury caused by unintentional activation of the system. For removal of Spiral Cable and Air Bag Module, see the SR section.
- Do not use electrical test equipment on any circuit related to the SRS unless instructed to in this Service Manual. SRS wiring harnesses can be identified by yellow and/or orange harnesses or harness connectors.

PRECAUTIONS WHEN USING POWER TOOLS (AIR OR ELECTRIC) AND HAMMERS

WARNING:

- When working near the Airbag Diagnosis Sensor Unit or other Airbag System sensors with the Ignition ON or engine running, DO NOT use air or electric power tools or strike near the sensor(s) with a hammer. Heavy vibration could activate the sensor(s) and deploy the air bag(s), possibly causing serious injury.
- When using air or electric power tools or hammers, always switch the Ignition OFF, disconnect the battery, and wait at least 3 minutes before performing any service.

Precaution for Work

INFOID:000000007304605

- When removing or disassembling each component, be careful not to damage or deform it. If a component may be subject to interference, be sure to protect it with a shop cloth.
- When removing (disengaging) components with a screwdriver or similar tool, be sure to wrap the component with a shop cloth or vinyl tape to protect it.
- Protect the removed parts with a shop cloth and prevent them from being dropped.
- Replace a deformed or damaged clip.
- If a part is specified as a non-reusable part, always replace it with new one.
- Be sure to tighten bolts and nuts securely to the specified torque.
- After installation is complete, be sure to check that each part works properly.
- Follow the steps below to clean components.
 - Water soluble dirt: Dip a soft cloth into lukewarm water, and wring the water out of the cloth to wipe the dirty area.
Then rub with a soft and dry cloth.
 - Oily dirt: Dip a soft cloth into lukewarm water with mild detergent (concentration: within 2 to 3%), and wipe the dirty area.
Then dip a cloth into fresh water, and wring the water out of the cloth to wipe the detergent off. Then rub with a soft and dry cloth.
- Do not use organic solvent such as thinner, benzene, alcohol, or gasoline.
- For genuine leather seats, use a genuine leather seat cleaner.

PREPARATION

< PREPARATION >

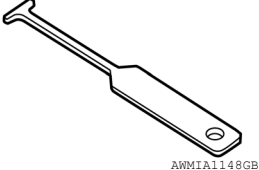
PREPARATION

PREPARATION

Special Service Tool

INFOID:000000007304606

The actual shapes of Kent-Moore tools may differ from those of special service tools illustrated here.

Tool number (Kent-Moore No.) Tool name	Description
— (J-42059) Power socket removal tool 	For removing power sockets

A
B
C
D
E
F
G
H
I
J
K
L
P

PWO

POWER SOCKET

< WIRING DIAGRAM >

WIRING DIAGRAM

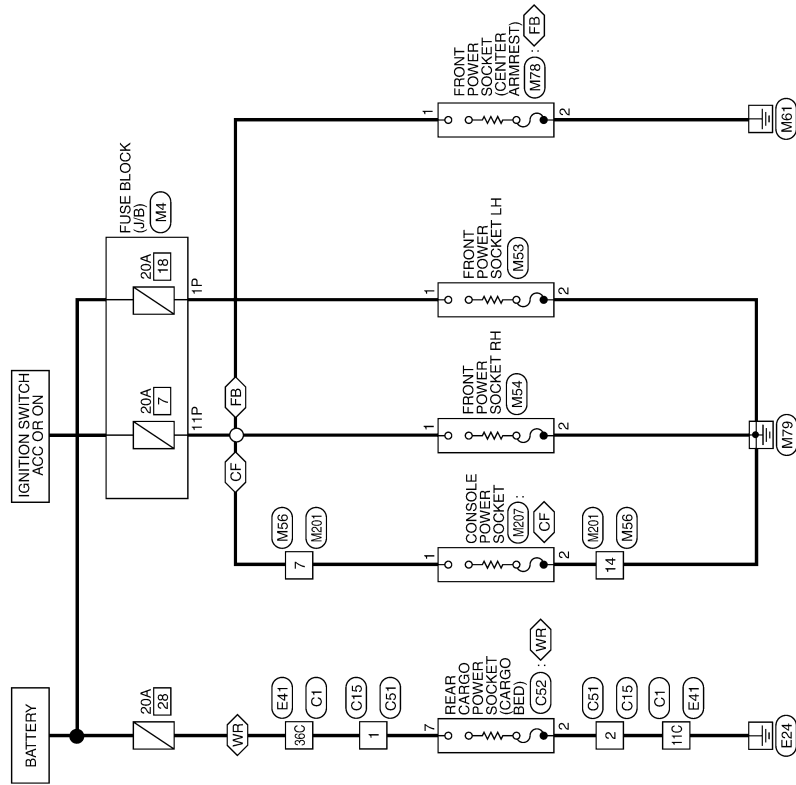
POWER SOCKET

Wiring Diagram - Early Production

INFOID:000000007304607

POWER SOCKET - EARLY PRODUCTION

CF > WITH FRONT CENTER CONSOLE
 FB > WITH FRONT BENCH SEAT
 WR > WITH REAR CARGO BED POWER SOCKET



ABMWA1672GB

POWER SOCKET

< WIRING DIAGRAM >

POWER SOCKET CONNECTORS - EARLY PRODUCTION

Connector No.	M4
Connector Name	FUSE BLOCK (J/B)
Connector Color	WHITE



Terminal No.	Color of Wire	Signal Name
1P	G	-
11P	G/W	-

Connector No.	M53
Connector Name	FRONT POWER SOCKET LH
Connector Color	BLACK



Terminal No.	Color of Wire	Signal Name
1	G	-
2	B	-

Connector No.	M54
Connector Name	FRONT POWER SOCKET RH
Connector Color	BLACK



Terminal No.	Color of Wire	Signal Name
1	G/W	-
2	B	-

Connector No.	M56
Connector Name	WIRE TO WIRE
Connector Color	WHITE



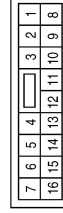
Terminal No.	Color of Wire	Signal Name
7	L/W	-
14	B	-

Connector No.	M78
Connector Name	FRONT POWER SOCKET (CENTER ARMREST)
Connector Color	WHITE



Terminal No.	Color of Wire	Signal Name
1	L/W	-
2	B	-

Connector No.	M201
Connector Name	WIRE TO WIRE
Connector Color	WHITE



Terminal No.	Color of Wire	Signal Name
7	L/W	-
14	B	-

ABMIA3889GB

A
B
C
D
E
F
G
H
I
J
K
L
N
O
P

PWO

POWER SOCKET

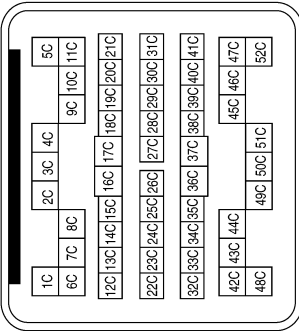
< WIRING DIAGRAM >

Connector No.	M207
Connector Name	CONSOLE POWER SOCKET
Connector Color	BLACK



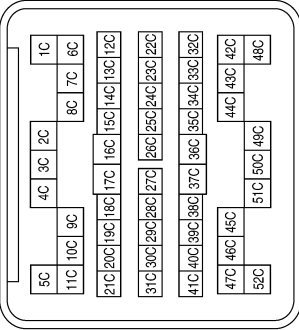
Terminal No.	Color of Wire	Signal Name
1	L/W	-
2	B	-

Connector No.	E41
Connector Name	WIRE TO WIRE
Connector Color	GRAY



Terminal No.	Color of Wire	Signal Name
11C	B	-
36C	Y	-

Connector No.	C1
Connector Name	WIRE TO WIRE
Connector Color	GRAY



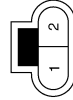
Terminal No.	Color of Wire	Signal Name
11C	B	-
36C	Y	-

Connector No.	C15
Connector Name	WIRE TO WIRE
Connector Color	WHITE



Terminal No.	Color of Wire	Signal Name
1	Y	-
2	B	-

Connector No.	C51
Connector Name	WIRE TO WIRE
Connector Color	WHITE



Terminal No.	Color of Wire	Signal Name
1	Y	-
2	B	-

Connector No.	C52
Connector Name	REAR CARGO POWER SOCKET (CARGO BED)
Connector Color	BROWN



Terminal No.	Color of Wire	Signal Name
2	B	-
7	Y	-

POWER SOCKET

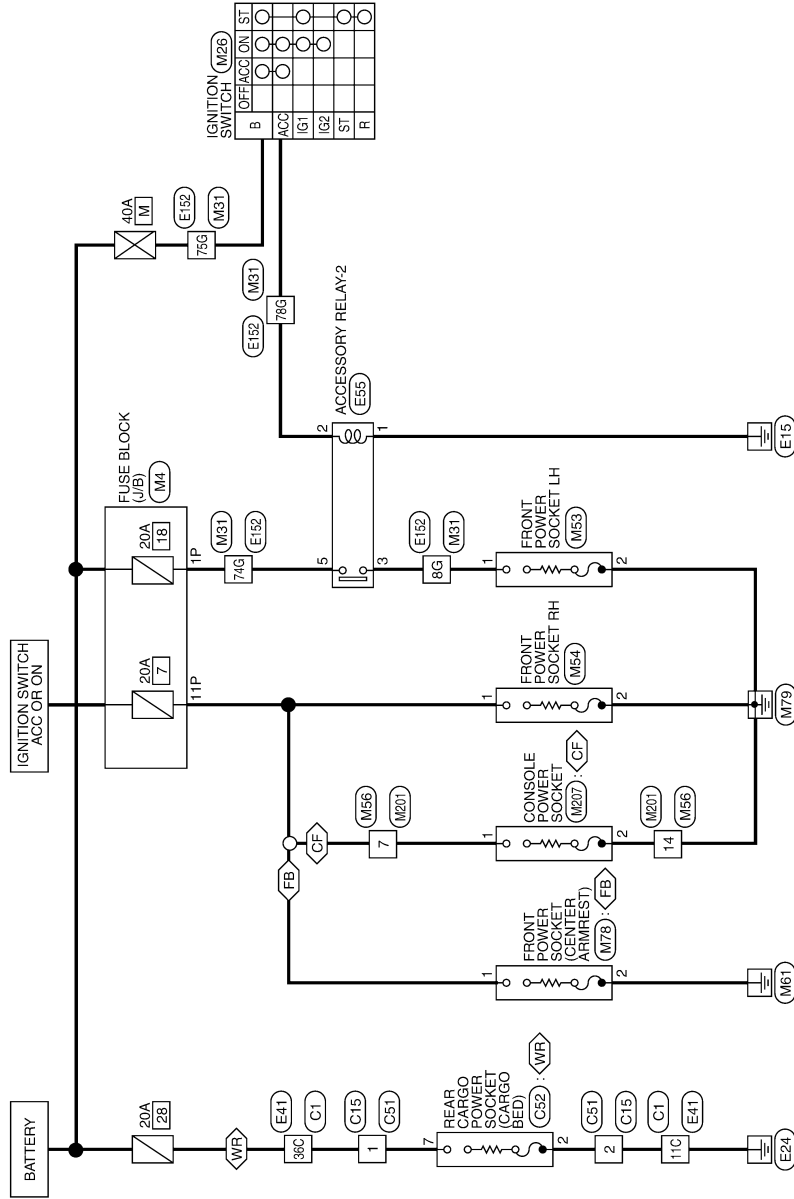
< WIRING DIAGRAM >

Wiring Diagram - Late Production

INFOID:000000008166371

POWER SOCKET - LATE PRODUCTION

- CF : WITH FRONT CENTER CONSOLE
- FB : WITH FRONT BENCH SEAT
- WR : WITH REAR CARGO BED POWER SOCKET



A
B
C
D
E
F
G
H
I
J
K
L
N
O
P

PWO

ABMWA1673GB

POWER SOCKET

< WIRING DIAGRAM >

POWER SOCKET CONNECTORS - LATE PRODUCTION

Connector No.	M4
Connector Name	FUSE BLOCK (J/B)
Connector Color	WHITE



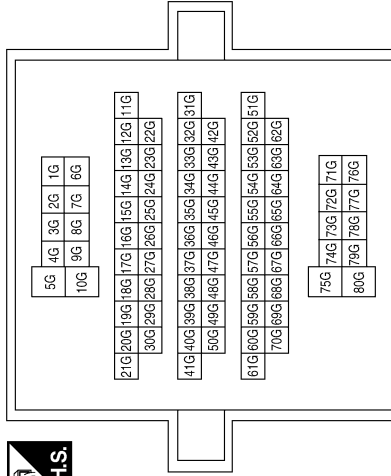
Terminal No.	Color of Wire	Signal Name
1P	G	-
11P	G/W	-

Connector No.	M26
Connector Name	IGNITION SWITCH
Connector Color	WHITE



Terminal No.	Color of Wire	Signal Name
B	G	-
ACC	V	-

Connector No.	M31
Connector Name	WIRE TO WIRE
Connector Color	WHITE



Terminal No.	Color of Wire	Signal Name
8G	G	-
74G	G	-
75G	G	-
78G	V	-

Connector No.	M54
Connector Name	FRONT POWER SOCKET
Connector Color	BLACK



Terminal No.	Color of Wire	Signal Name
1	G/W	-
2	B	-

Connector No.	M53
Connector Name	FRONT POWER SOCKET
Connector Color	BLACK

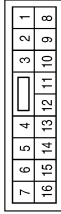


Terminal No.	Color of Wire	Signal Name
1	G	-
2	B	-

POWER SOCKET

< WIRING DIAGRAM >

Connector No.	M201
Connector Name	WIRE TO WIRE
Connector Color	WHITE



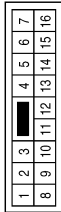
Terminal No.	Color of Wire	Signal Name
7	L/W	-
14	B	-

Connector No.	M78
Connector Name	FRONT POWER SOCKET (CENTER ARMREST)
Connector Color	WHITE



Terminal No.	Color of Wire	Signal Name
1	L/W	-
2	B	-

Connector No.	M56
Connector Name	WIRE TO WIRE
Connector Color	WHITE



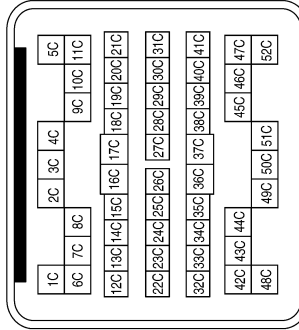
Terminal No.	Color of Wire	Signal Name
7	L/W	-
14	B	-

Connector No.	E55
Connector Name	ACCESSORY RELAY-2
Connector Color	BLUE



Terminal No.	Color of Wire	Signal Name
1	B	-
2	V	-
3	G	-
5	G	-

Connector No.	E41
Connector Name	WIRE TO WIRE
Connector Color	GRAY



Terminal No.	Color of Wire	Signal Name
11C	B	-
36C	Y	-

Connector No.	M207
Connector Name	CONSOLE POWER SOCKET
Connector Color	BLACK



Terminal No.	Color of Wire	Signal Name
1	L/W	-
2	B	-

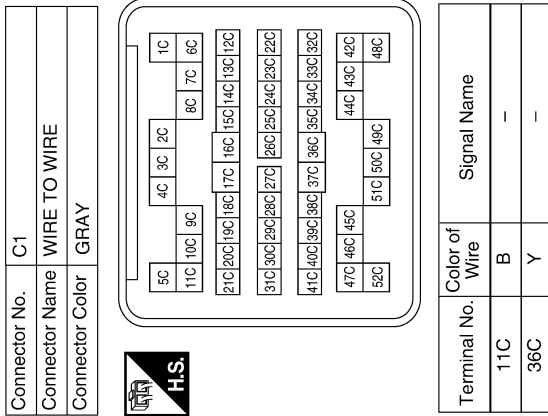
AAMIA0972GB

A
B
C
D
E
F
G
H
I
J
K
L
N
O
P

PWO

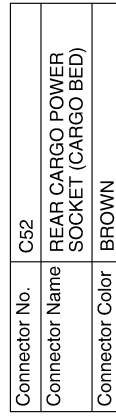
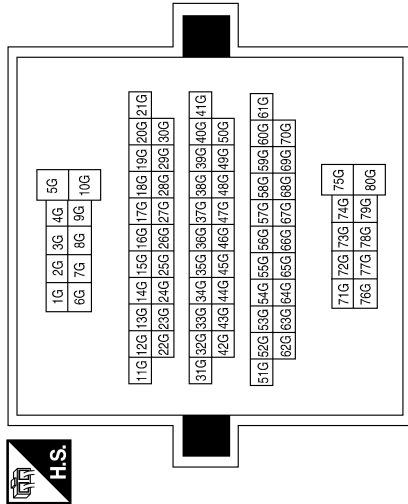
POWER SOCKET

< WIRING DIAGRAM >

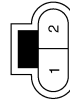


Terminal No.	Color of Wire	Signal Name
8G	G	-
74G	G	-
75G	G	-
78G	V	-

Connector No.	E152
Connector Name	WIRE TO WIRE
Connector Color	WHITE

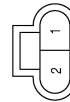


Connector No.	C51
Connector Name	WIRE TO WIRE
Connector Color	WHITE



Terminal No.	Color of Wire	Signal Name
1	Y	-
2	B	-

Connector No.	C15
Connector Name	WIRE TO WIRE
Connector Color	WHITE



Terminal No.	Color of Wire	Signal Name
1	Y	-
2	B	-

AAMIA0973GB

POWER SOCKET

< REMOVAL AND INSTALLATION >

REMOVAL AND INSTALLATION

POWER SOCKET

Removal and Installation

INFOID:000000007304608

FRONT POWER SOCKET RH/LH, FRONT POWER SOCKET (CENTER ARMREST), CONSOLE POWER SOCKET.

NOTE:

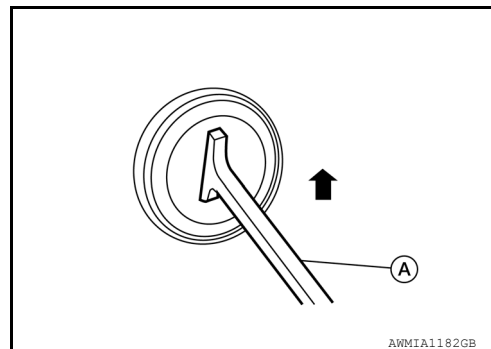
If the tool does not fit because of the location of the power socket, further disassembly of interior components may be required. Refer to [IP-14, "Removal and Installation"](#) (Cluster Lid C) and/or [IP-20, "Removal and Installation"](#) (Center console).

Removal

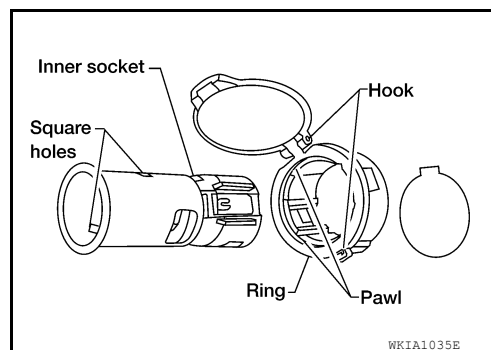
1. Remove the fuse for the power socket.
2. Insert one end of the Tool (A) into one of the square holes inside the power socket.

Tool number: — (J-42059)

3. Lift up the handle of the Tool until the other end of the Tool is inside the socket and snaps into the other square hole in the power socket.
4. Pull the power socket straight out with the Tool.



5. Disconnect power socket connector.
6. Remove ring from power socket finisher while pressing pawls.

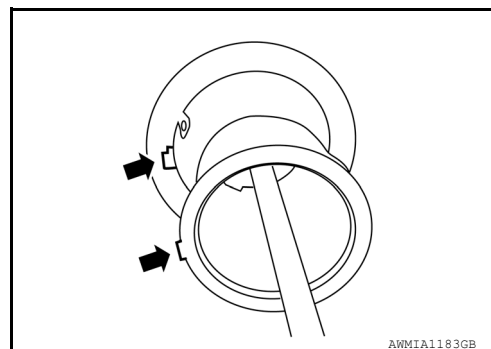


Installation

Installation is in the reverse order of removal.

NOTE:

Make sure to align the tab with the square notched area during installation.



REAR CARGO POWER SOCKET (CARGO BED)

Removal

1. Remove the fuse for the power socket.
2. Remove the rivets attaching the rear cargo power socket finisher to the cargo bed.
3. Disconnect power socket connector.

Installation

A
B
C
D
E
F
G
H
I
J
K
L
PWO
N
O
P

POWER SOCKET

< REMOVAL AND INSTALLATION >

Installation is in the reverse order of removal.