

A

# SECTION STR

STR

## STARTING SYSTEM

C

### CONTENTS

D

<b>PRECAUTION</b> .....	2	<b>DTC/CIRCUIT DIAGNOSIS</b> .....	12	F
<b>PRECAUTIONS</b> .....	2	<b>B TERMINAL CIRCUIT</b> .....	12	
Precaution for Supplemental Restraint System (SRS) "AIR BAG" and "SEAT BELT PRE-TENSIONER" .....	2	Description .....	12	G
Precaution for Power Generation Variable Voltage Control System .....	2	Diagnosis Procedure .....	12	
<b>PREPARATION</b> .....	3	<b>S CONNECTOR CIRCUIT</b> .....	13	H
<b>PREPARATION</b> .....	3	Description .....	13	
Special Service Tool .....	3	Diagnosis Procedure .....	13	I
Commercial Service Tool .....	3	<b>WIRING DIAGRAM</b> .....	14	
<b>BASIC INSPECTION</b> .....	4	<b>STARTING SYSTEM</b> .....	14	J
<b>DIAGNOSIS AND REPAIR WORKFLOW</b> .....	4	Wiring Diagram .....	14	
Work Flow (With GR8-1200 NI) .....	4	<b>SYMPTOM DIAGNOSIS</b> .....	18	K
Work Flow (Without GR8-1200 NI) .....	8	<b>STARTING SYSTEM</b> .....	18	
<b>SYSTEM DESCRIPTION</b> .....	10	Symptom Table .....	18	L
<b>STARTING SYSTEM</b> .....	10	<b>REMOVAL AND INSTALLATION</b> .....	19	
System Diagram .....	10	<b>STARTER MOTOR</b> .....	19	M
System Description .....	10	Removal and Installation .....	19	
Component Parts Location .....	10	<b>SERVICE DATA AND SPECIFICATIONS (SDS)</b> .....	21	N
Component Description .....	11	<b>STARTER MOTOR</b> .....	21	
		Starter .....	21	O
				P

# PRECAUTIONS

< PRECAUTION >

## PRECAUTION

### PRECAUTIONS

#### Precaution for Supplemental Restraint System (SRS) "AIR BAG" and "SEAT BELT PRE-TENSIONER"

INFOID:000000007308855

The Supplemental Restraint System such as "AIR BAG" and "SEAT BELT PRE-TENSIONER", used along with a front seat belt, helps to reduce the risk or severity of injury to the driver and front passenger for certain types of collision. This system includes seat belt switch inputs and dual stage front air bag modules. The SRS system uses the seat belt switches to determine the front air bag deployment, and may only deploy one front air bag, depending on the severity of a collision and whether the front occupants are belted or unbelted. Information necessary to service the system safely is included in the SR and SB section of this Service Manual.

**WARNING:**

- To avoid rendering the SRS inoperative, which could increase the risk of personal injury or death in the event of a collision which would result in air bag inflation, all maintenance must be performed by an authorized NISSAN/INFINITI dealer.
- Improper maintenance, including incorrect removal and installation of the SRS, can lead to personal injury caused by unintentional activation of the system. For removal of Spiral Cable and Air Bag Module, see the SR section.
- Do not use electrical test equipment on any circuit related to the SRS unless instructed to in this Service Manual. SRS wiring harnesses can be identified by yellow and/or orange harnesses or harness connectors.

#### PRECAUTIONS WHEN USING POWER TOOLS (AIR OR ELECTRIC) AND HAMMERS

**WARNING:**

- When working near the Airbag Diagnosis Sensor Unit or other Airbag System sensors with the Ignition ON or engine running, DO NOT use air or electric power tools or strike near the sensor(s) with a hammer. Heavy vibration could activate the sensor(s) and deploy the air bag(s), possibly causing serious injury.
- When using air or electric power tools or hammers, always switch the Ignition OFF, disconnect the battery, and wait at least 3 minutes before performing any service.

#### Precaution for Power Generation Variable Voltage Control System

INFOID:000000007308856

**CAUTION:**

For this model, the battery current sensor that is installed to the negative battery cable measures the charging/discharging current of the battery and performs various engine controls. If an electrical component is connected directly to the negative battery terminal, the current flowing through that component will not be measured by the battery current sensor. This condition may cause a malfunction of the engine control system and battery discharge may occur. Do not connect an electrical component or ground wire directly to the battery terminal.

# PREPARATION

< PREPARATION >

## PREPARATION

### PREPARATION


#### Special Service Tool

INFOID:000000007308857

A

STR

The actual shapes of Kent-Moore tools may differ from those of special service tools illustrated here.

Tool number (Kent-Moore No.) Tool name	Description
<p>— (—) Model GR8-1200 NI Multitasking battery and electrical diagnostic station</p>  <p style="text-align: right; font-size: small;">AWI1A12392Z</p>	<p>Tests batteries, starting and charging systems and charges batteries. For operating instructions, refer to diagnostic station instruction manual.</p>

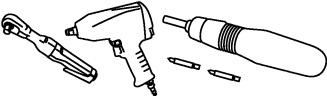
C

D

E

#### Commercial Service Tool

INFOID:000000007308858

Tool name	Description
<p>Power tool</p>  <p style="text-align: right; font-size: small;">PIIB1407E</p>	<p>Loosening nuts, screws and bolts</p>

F

G

H

I

J

K

L

M

N

O

P

# DIAGNOSIS AND REPAIR WORKFLOW

< BASIC INSPECTION >

---

## BASIC INSPECTION

### DIAGNOSIS AND REPAIR WORKFLOW

Work Flow (With GR8-1200 NI)

INFOID:000000008717656

#### STARTING SYSTEM DIAGNOSIS WITH GR8-1200 NI

To test the starting system, use the following special service tool:

- GR8-1200 NI Multitasking battery and electrical diagnostic station

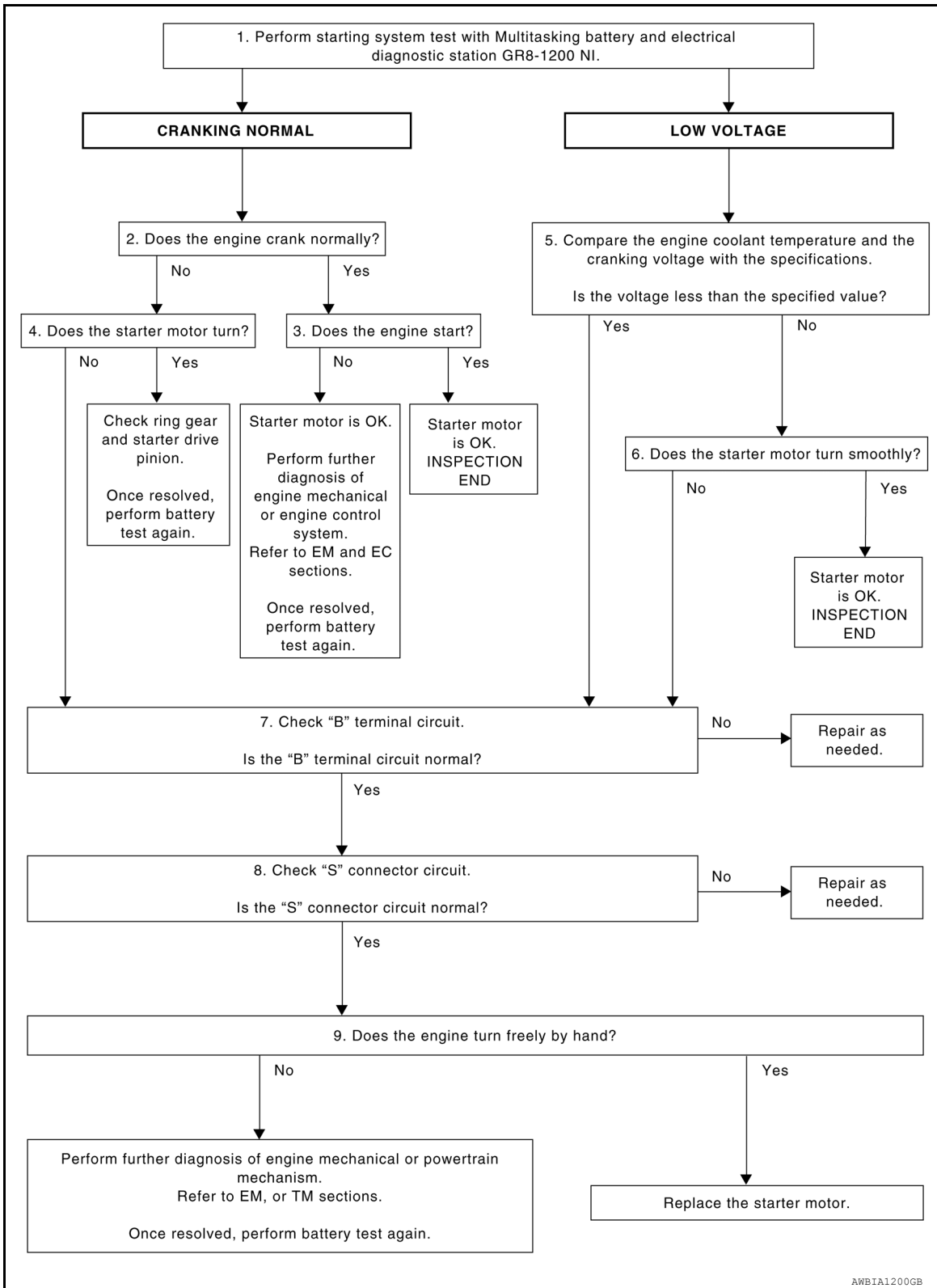
**NOTE:**

Refer to the diagnostic station Instruction Manual for proper starting system diagnosis procedures.

# DIAGNOSIS AND REPAIR WORKFLOW

< BASIC INSPECTION >

## OVERALL SEQUENCE



### DETAILED FLOW

#### NOTE:

To ensure a complete and thorough diagnosis, the battery, starter motor and generator test segments must be done as a set from start to finish.

### 1. DIAGNOSIS WITH MULTITASKING BATTERY AND ELECTRICAL DIAGNOSTIC STATION GR8-1200 NI

# DIAGNOSIS AND REPAIR WORKFLOW

## < BASIC INSPECTION >

Perform the starting system test with Multitasking battery and electrical diagnostic station GR8-1200 NI. For details and operating instructions, refer to diagnostic station Instruction Manual.

### Test result

CRANKING NORMAL>>GO TO 2.

LOW VOLTAGE>>GO TO 5.

CHARGE BATTERY>>Perform the slow battery charging procedure. (Initial rate of charge is 10A for 12 hours.) Perform battery test again. Refer to diagnostic station instruction manual.

REPLACE BATTERY>>Before replacing battery, clean the battery cable clamps and battery posts. Perform battery test again. Refer to diagnostic station instruction manual. If second test result is "REPLACE BATTERY", then do so. Perform battery test again to confirm repair.

## 2. CRANKING CHECK

Check that the starter motor operates properly.

### Does the engine crank normally?

YES >> GO TO 3.

NO >> GO TO 4.

## 3. ENGINE START CHECK

Check that the engine starts.

### Does the engine start?

YES >> Inspection End.

NO >> Perform further diagnosis of engine mechanical or engine control system. Refer to EM and EC sections. Once resolved, perform battery test again.

## 4. STARTER MOTOR ACTIVATION

Check that the starter motor operates.

### Does the starter motor turn?

YES >> Check ring gear and starter motor drive pinion. Once resolved, perform battery test again.

NO >> GO TO 7.

## 5. COMPARISON BETWEEN ENGINE COOLANT AND CRANKING VOLTAGE

Compare the engine coolant temperature and verify the cranking voltage is within specifications.

### Minimum Specification of Cranking Voltage Referencing Coolant Temperature

Engine coolant temperature [°C (°F)]	Voltage [V]
-30 to -20 (-22 to -4)	8.6
-19 to -10 (-2 to 14)	9.1
-9 to 0 (16 to 32)	9.5
More than 1 (More than 34)	9.9

### Is the voltage less than the specified value?

YES >> GO TO 7.

NO >> GO TO 6.

## 6. STARTER OPERATION

Check the starter operation.

### Does the starter motor turn smoothly?

YES >> Inspection End.

NO >> GO TO 7.

## 7. "B" TERMINAL CIRCUIT INSPECTION

Check "B" terminal circuit. Refer to [STR-12, "Diagnosis Procedure"](#).

### Is "B" terminal circuit normal?

YES >> GO TO 8.

NO >> Repair as needed.

## 8. "S" CONNECTOR CIRCUIT INSPECTION

Check "S" connector circuit. Refer to [STR-13, "Diagnosis Procedure"](#).

# DIAGNOSIS AND REPAIR WORKFLOW

## < BASIC INSPECTION >

---

Is "S" connector circuit normal?

YES >> GO TO 9.

NO >> Repair as needed.

A

## 9. ENGINE ROTATION STATUS

---

Check that the engine can be rotated by hand.

Does the engine turn freely by hand?

YES >> Replace starter motor.

NO >> Perform further diagnosis of engine mechanical or powertrain mechanism. Once resolved, perform battery test again using Multitasking battery and electrical diagnostic station GR8-1200 NI. Refer to the diagnostic station Instruction Manual for proper testing procedures.

STR

C

D

E

F

G

H

I

J

K

L

M

N

O

P

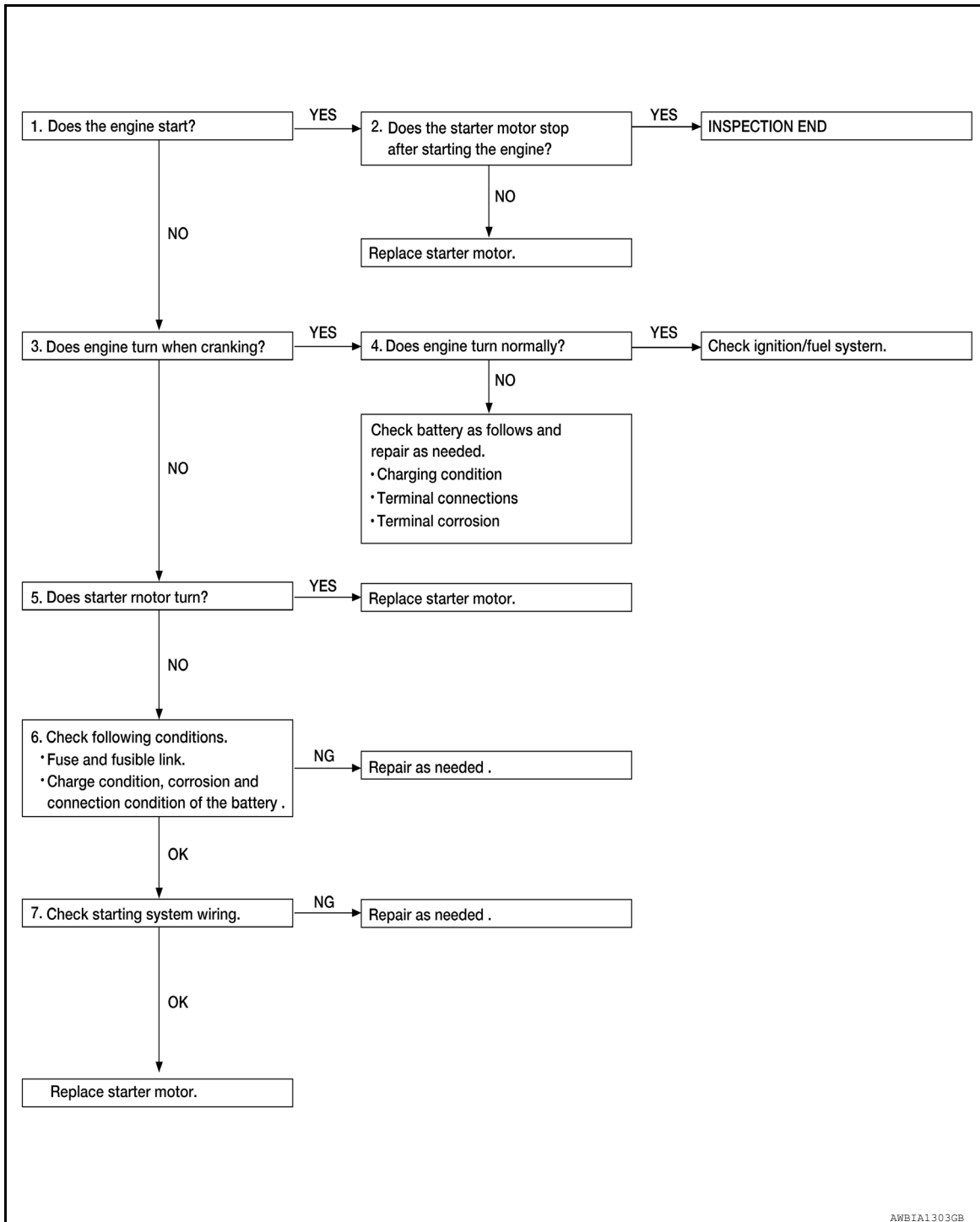
# DIAGNOSIS AND REPAIR WORKFLOW

< BASIC INSPECTION >

Work Flow (Without GR8-1200 NI)

INFOID:000000008717657

## OVERALL SEQUENCE



## DETAILED FLOW

### NOTE:

If any malfunction is found, immediately disconnect the battery cable from the negative terminal.

### 1. CHECK ENGINE START

Crank the engine and check that the engine starts.

Does the engine start?

YES >> GO TO 2.

NO >> GO TO 3.



# DIAGNOSIS AND REPAIR WORKFLOW

< BASIC INSPECTION >

---

## 2. CHECK THAT THE STARTER MOTOR STOPS

---

Check that the starter motor stops after starting the engine.

Does the starter motor stop?

YES >> Inspection End.

NO >> Replace starter motor. Refer to [STR-19. "Removal and Installation"](#).

---

## 3. CHECK THAT THE ENGINE TURNS WHEN CRANKING

---

Check that the engine turns when cranking.

Does engine turn when cranking?

YES >> GO TO 4.

NO >> GO TO 5.

---

## 4. CHECK THE ENGINE SPEED WHEN CRANKING

---

Check that the engine speed is not low when cranking.

Does engine turn normally?

YES >> Check ignition/fuel system.

NO >> Check charge condition, corrosion and connection condition of the battery. Refer to [PG-4. "How to Handle Battery"](#).

---

## 5. CHECK STARTER MOTOR ACTIVATION

---

Check that the starter motor runs at cranking.

Does starter motor turn?

YES >> Replace starter motor. Refer to [STR-19. "Removal and Installation"](#).

NO >> GO TO 6.

---

## 6. CHECK POWER SUPPLY CIRCUIT

---

Check the following conditions:

- Fuse and fusible link
- Charge condition, corrosion and connection of the battery.

Are these inspection results normal?

YES >> GO TO 7.

NO >> Repair as needed.

---

## 7. CHECK STARTING SYSTEM WIRING

---

Check the following:

- "B" terminal circuit. Refer to [STR-12. "Diagnosis Procedure"](#).
- "S" terminal circuit. Refer to [STR-13. "Diagnosis Procedure"](#).

Are the inspection results normal?

YES >> Replace starter motor. Refer to [STR-19. "Removal and Installation"](#).

NO >> Repair as needed.

A

STR

C

D

E

F

G

H

I

J

K

L

M

N

O

P

# STARTING SYSTEM

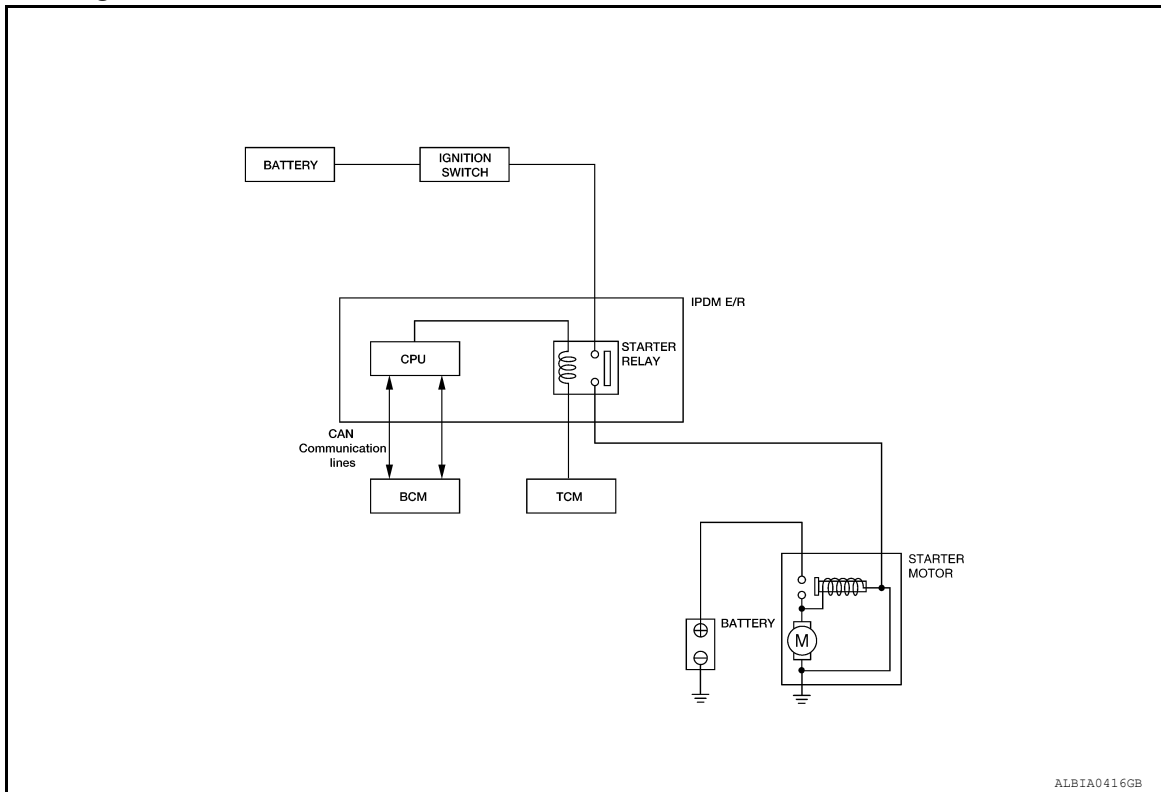
< SYSTEM DESCRIPTION >

## SYSTEM DESCRIPTION

### STARTING SYSTEM

#### System Diagram

INFOID:000000007308860



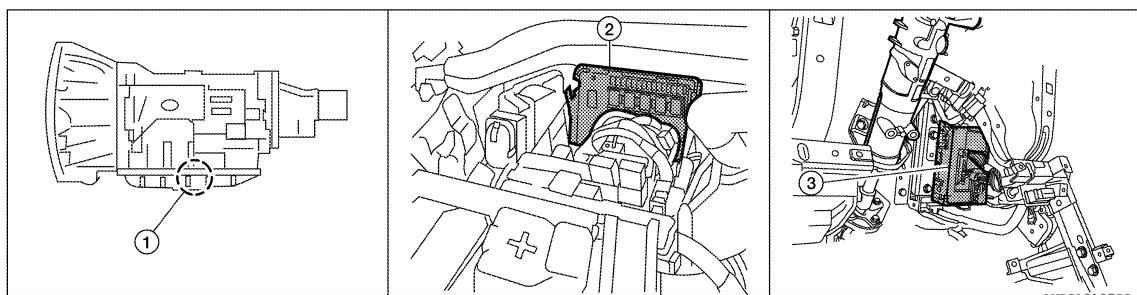
#### System Description

INFOID:000000007308861

The starter motor plunger closes and provides a closed circuit between the battery and the starter motor. The starter motor is grounded to the cylinder block. With power and ground supplied, the starter motor operates.

#### Component Parts Location

INFOID:000000007308862



1. A/T assembly  
F9 (floor shift)  
F17 (column shift)

2. IPDM E/R E119, E120, E122, E124

3. BCM M18 (view with instrument panel lower LH panel removed)

# STARTING SYSTEM

< SYSTEM DESCRIPTION >

## Component Description

INFOID:000000007308863

Component part	Description
TCM	TCM supplies power to the starter relay inside the IPDM E/R when the selector lever is shifted to the P or N position.
BCM	BCM sends a starter request signal to the CPU of the IPDM E/R over the CAN communication lines.
IPDM E/R	CPU inside IPDM E/R operates the starter relay at the request of the BCM over the CAN communication lines.
Starter motor	The starter motor plunger closes and the motor is supplied with battery power, which in turn cranks the engine, when the "S" terminal is supplied with electric power.

A

STR

C

D

E

F

G

H

I

J

K

L

M

N

O

P

# B TERMINAL CIRCUIT

< DTC/CIRCUIT DIAGNOSIS >

## DTC/CIRCUIT DIAGNOSIS

### B TERMINAL CIRCUIT

#### Description

INFOID:000000007308864

Terminal "1" (B) is constantly supplied with battery power.

#### Diagnosis Procedure

INFOID:000000007308865

Regarding Wiring Diagram information, refer to [STR-14. "Wiring Diagram"](#).

#### CAUTION:

**Before testing, perform the following procedure to ensure the engine cannot start.**

1. Remove fuel pump fuse.
2. Crank or start the engine (where possible) until the fuel pressure is depleted.

#### 1. CHECK TERMINAL 1 POWER SUPPLY VOLTAGE

1. Turn ignition switch OFF.
2. Make sure that starter motor connector F27 terminal 1 connection is clean and tight.
3. Check voltage between starter motor connector F27 terminal 1 and ground.

(+)		(-)	Voltage
Connector	Terminal		
F27	1	Ground	Battery voltage

Is there battery voltage present?

- YES >> GO TO 2  
NO >> Check harness between battery and starter motor for open circuit.

#### 2. CHECK BATTERY CABLE (VOLTAGE DROP TEST)

1. Shift the transmission into park or neutral.
2. Check voltage between battery positive terminal and starter motor connector F27 terminal 1 while cranking the engine.

(+)	(-)		Condition	Voltage
Battery (+) terminal	Connector	Terminal		
	F27	1	While cranking the engine	Less than 0.2V

Is the voltage drop less than 0.2V?

- YES >> GO TO 3  
NO >> Check harness between the battery and the starter motor for high resistance.

#### 3. CHECK GROUND CIRCUIT STATUS (VOLTAGE DROP TEST)

Check voltage between starter motor case and battery negative terminal while cranking the engine.

(+)	(-)	Condition	Voltage
Starter motor case	Battery (-) terminal		
		While cranking the engine	Less than 0.2V

Is the voltage drop less than 0.2V?

- YES >> Terminal 1 circuit is OK. Further inspection necessary. Refer to [STR-4. "Work Flow \(With GR8-1200 NI\)"](#) or [STR-8. "Work Flow \(Without GR8-1200 NI\)"](#).  
NO >> Check the starter motor case to engine mounting for high resistance.

# S CONNECTOR CIRCUIT

< DTC/CIRCUIT DIAGNOSIS >

## S CONNECTOR CIRCUIT

### Description

INFOID:000000007308866

Terminal "2" (S) is the power supply for the starter motor magnetic switch. Terminal 2 is supplied with power when the ignition switch is turned to the START position while the selector lever is in the P or N position.

STR

### Diagnosis Procedure

INFOID:000000007308867

Regarding Wiring Diagram information, refer to [STR-14, "Wiring Diagram"](#).

#### CAUTION:

Before testing, perform the following procedure to ensure the engine cannot start.

1. Remove fuel pump fuse.
2. Crank or start the engine (where possible) until the fuel pressure is released.

#### 1. CHECK STARTER MOTOR MAGNETIC SWITCH CIRCUIT

1. Turn ignition switch OFF.
2. Disconnect starter motor connector F28.
3. Shift transmission into park or neutral.
4. Check voltage between starter motor harness connector F28 terminal 2 and ground with the ignition in START.

(+)		(-)	Condition	Voltage
Connector	Terminal			
F28	2	Ground	Ignition in START	Battery voltage

#### Is battery voltage present?

YES >> Magnetic switch circuit is OK. Further inspection necessary. Refer to [STR-4, "Work Flow \(With GR8-1200 NI\)"](#) or [STR-8, "Work Flow \(Without GR8-1200 NI\)"](#).

NO >> GO TO 2

#### 2. CHECK CONNECTOR

1. Turn ignition switch OFF.
2. Check the IPDM E/R harness connector E120 and starter motor harness connector F28 for damage, bent pins and loose connections.

#### Is the inspection result normal?

YES >> GO TO 3

NO >> Repair the terminal and connector.

#### 3. CHECK HARNESS CONTINUITY (OPEN CIRCUIT)

1. Disconnect IPDM E/R connector E120 and starter motor connector F28.
2. Check continuity between starter motor harness connector F28 terminal 2 and IPDM E/R harness connector E120 terminal 19.

Connector	Terminal	Connector	Terminal	Continuity
F28	2	E120	19	Yes

3. Check continuity between starter motor harness connector F28 terminal 2 and ground.

Connector	Terminal	—	Continuity
F28	2	Ground	No

#### Are the continuity test results as specified?

YES >> Further inspection necessary. Refer to [STR-4, "Work Flow \(With GR8-1200 NI\)"](#) or [STR-8, "Work Flow \(Without GR8-1200 NI\)"](#).

NO >> Repair the harness.

# STARTING SYSTEM

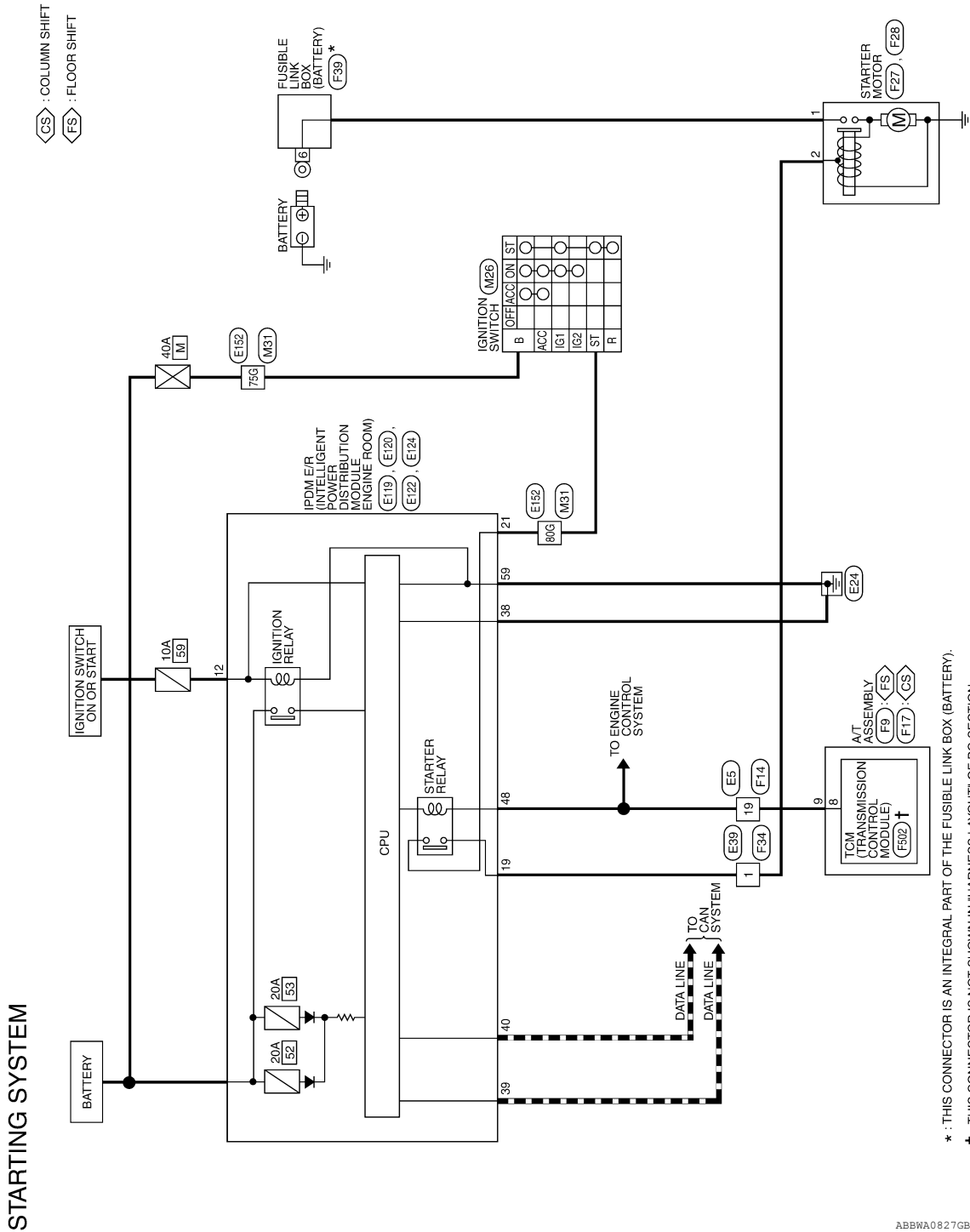
< WIRING DIAGRAM >

## WIRING DIAGRAM

### STARTING SYSTEM

Wiring Diagram

INFOID:000000007308868



ABBWA0827GB

# STARTING SYSTEM

< WIRING DIAGRAM >

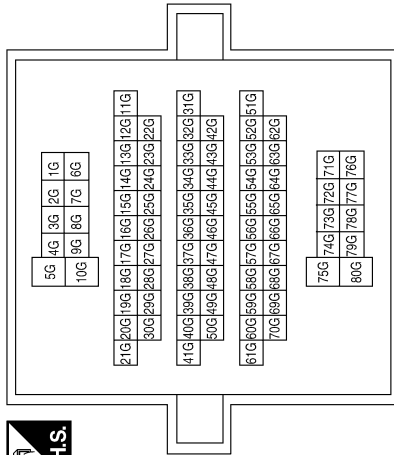
## STARTING SYSTEM CONNECTORS

Connector No.	M26
Connector Name	IGNITION SWITCH
Connector Color	WHITE



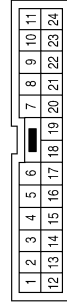
Terminal No.	Color of Wire	Signal Name
B	G	-
ST	BR	-

Connector No.	M31
Connector Name	WIRE TO WIRE
Connector Color	WHITE



Terminal No.	Color of Wire	Signal Name
75G	G	-
80G	BR	-

Connector No.	E5
Connector Name	WIRE TO WIRE
Connector Color	WHITE



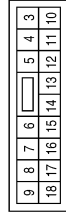
Terminal No.	Color of Wire	Signal Name
19	B/R	-

Connector No.	E39
Connector Name	WIRE TO WIRE
Connector Color	WHITE



Terminal No.	Color of Wire	Signal Name
1	W/R	-

Connector No.	E119
Connector Name	IPDM E/R (INTELLIGENT POWER DISTRIBUTION MODULE ENGINE ROOM)
Connector Color	WHITE



Terminal No.	Color of Wire	Signal Name
12	L/W	IGN SW (IG)

ABBIA1192GB

A  
STR  
C  
D  
E  
F  
G  
H  
I  
J  
K  
L  
M  
N  
O  
P

# STARTING SYSTEM

< WIRING DIAGRAM >

Connector No.	E124
Connector Name	IPDM E/R (INTELLIGENT POWER DISTRIBUTION MODULE ENGINE ROOM)
Connector Color	BLACK



59	58	57
52	61	60

Terminal No.	Color of Wire	Signal Name
59	B	GND (POWER)

Connector No.	E122
Connector Name	IPDM E/R (INTELLIGENT POWER DISTRIBUTION MODULE ENGINE ROOM)
Connector Color	WHITE



42	41	40	39	38	37
48	47	46	45	44	43

Terminal No.	Color of Wire	Signal Name
38	B	GND (SIGNAL)
39	L	CAN-H
40	P	CAN-L
48	B/R	RANGE SW

Connector No.	E120
Connector Name	IPDM E/R (INTELLIGENT POWER DISTRIBUTION MODULE ENGINE ROOM)
Connector Color	WHITE



21	20	19
24	23	22

Terminal No.	Color of Wire	Signal Name
19	W/R	STARTER MTR
21	BR	IGN SW(ST)

Connector No.	F9
Connector Name	A/T ASSEMBLY (FLOOR SHIFT)
Connector Color	GREEN

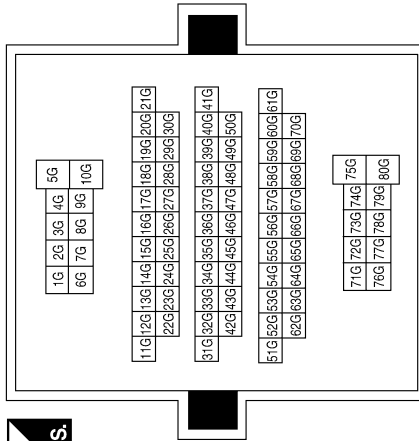


5	4	3	2	1
10	9	8	7	6

Terminal No.	Color of Wire	Signal Name
9	B/R	-

Terminal No.	Color of Wire	Signal Name
75G	G	-
80G	BR	-

Connector No.	E152
Connector Name	WIRE TO WIRE
Connector Color	WHITE



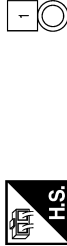
ABBIA1193GB



# STARTING SYSTEM

< WIRING DIAGRAM >

Connector No.	F27
Connector Name	STARTER MOTOR
Connector Color	-



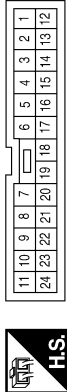
Terminal No.	Color of Wire	Signal Name
1	B/R	-

Connector No.	F17
Connector Name	A/T ASSEMBLY (COLUMN SHIFT)
Connector Color	GREEN



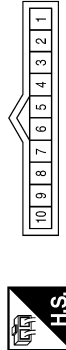
Terminal No.	Color of Wire	Signal Name
9	B/R	-

Connector No.	F14
Connector Name	WIRE TO WIRE
Connector Color	WHITE



Terminal No.	Color of Wire	Signal Name
19	B/R	-

Connector No.	F502
Connector Name	TCM (TRANSMISSION CONTROL MODULE)
Connector Color	GRAY



Terminal No.	Color of Wire	Signal Name
8	G	START-RLY

Connector No.	F34
Connector Name	WIRE TO WIRE
Connector Color	WHITE



Terminal No.	Color of Wire	Signal Name
1	W/R	-

Connector No.	F28
Connector Name	STARTER MOTOR
Connector Color	GRAY



Terminal No.	Color of Wire	Signal Name
2	W/R	-

ABBIA1194GB

A  
STR  
C  
D  
E  
F  
G  
H  
I  
J  
K  
L  
M  
N  
O  
P

# STARTING SYSTEM

< SYMPTOM DIAGNOSIS >

## SYMPTOM DIAGNOSIS

### STARTING SYSTEM

#### Symptom Table

INFOID:000000007308869

Symptom	Reference
No normal cranking	Refer to <a href="#">STR-4. "Work Flow (With GR8-1200 NI)"</a> or <a href="#">STR-8. "Work Flow (Without GR8-1200 NI)"</a> .
Starter motor does not rotate	

# STARTER MOTOR

< REMOVAL AND INSTALLATION >

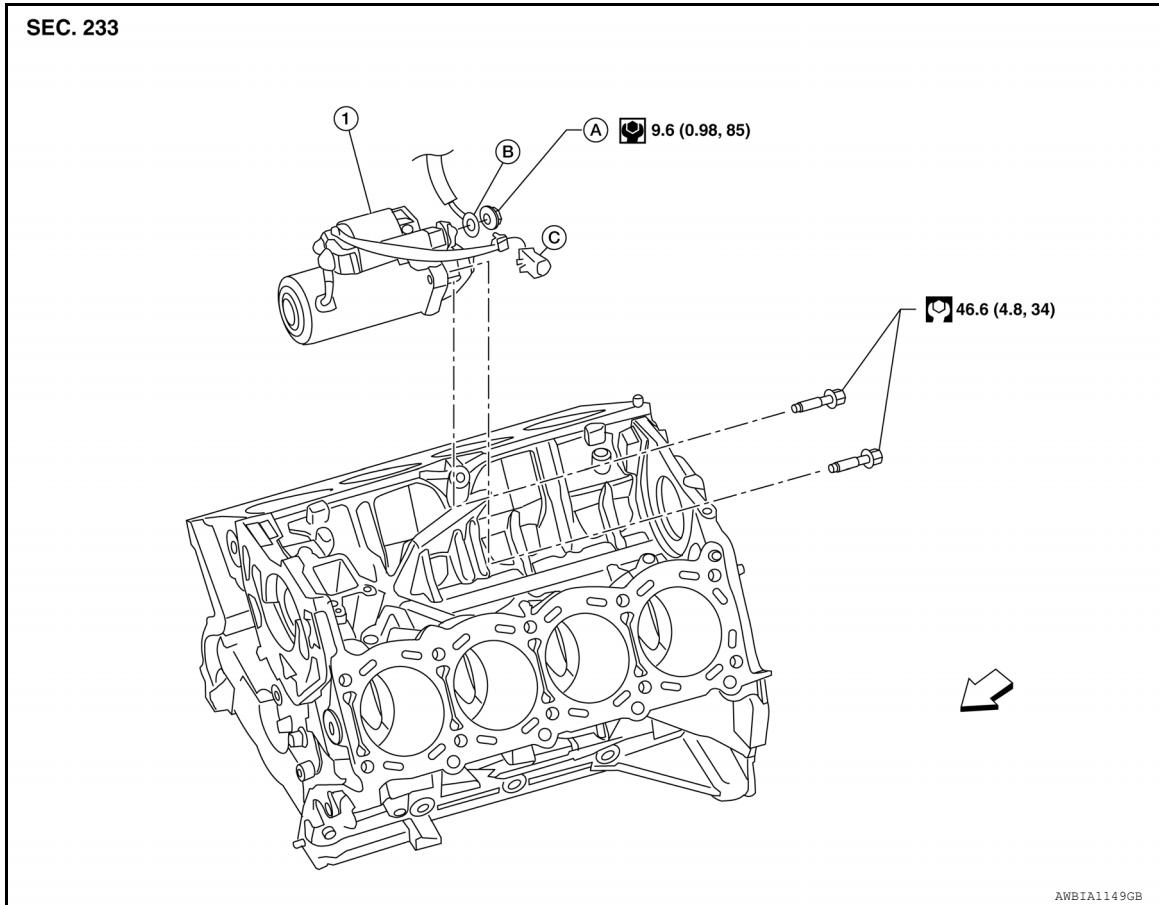
## REMOVAL AND INSTALLATION

### STARTER MOTOR

#### Removal and Installation

INFOID:000000007308870

A  
STR

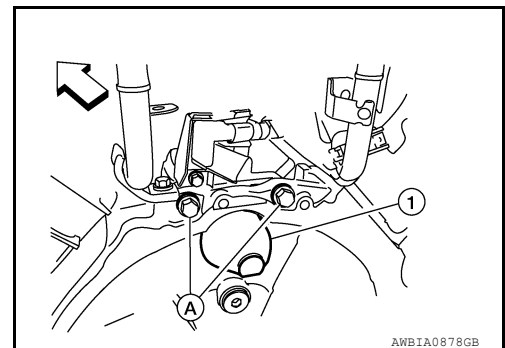


C  
D  
E  
F  
G  
H  
I  
J  
K

- 1. Starter motor assembly
- A. Terminal "1" (B) nut
- B. Terminal "1" (B) cable
- C. Terminal "2" (S) connector
- Vehicle front

#### REMOVAL

1. Remove the intake manifold. Refer to [EM-27, "Removal and Installation"](#).
2. Remove the starter motor assembly harness terminal "1" (B) nut and terminal "1" (B) cable.
3. Disconnect terminal "2" (S) connector.
4. Remove terminal "2" (S) harness clips from brackets.
5. Remove the two starter motor assembly bolts (A), using power tools.  
Vehicle front
6. Remove the starter motor assembly (1).



L  
M  
N  
O  
P

#### INSTALLATION

Installation is in the reverse order of removal.

## STARTER MOTOR

< REMOVAL AND INSTALLATION >

---

**CAUTION:**

Tighten terminal nut carefully.

# STARTER MOTOR

< SERVICE DATA AND SPECIFICATIONS (SDS)

## SERVICE DATA AND SPECIFICATIONS (SDS)

### STARTER MOTOR

#### Starter

INFOID:000000007308871

A

STR

Application	FFV models	Non-FFV models
Manufacturer	Mitsubishi	
Model number	M001T30571ZC*	M001T30671ZC*
Type	Reduction gear type	
System voltage	12V	
No-load	Terminal voltage	11V
	Current	Less than 120A
	Revolution	More than 3,220 rpm

\*: Always check with parts department for the latest parts information.

C

D

E

F

G

H

I

J

K

L

M

N

O

P