

SECTION **BR**  
BRAKE SYSTEM

A  
B  
C  
D  
E

CONTENTS

<b>PRECAUTIONS</b> .....	<b>3</b>	DISASSEMBLY AND ASSEMBLY .....	17	<b>BR</b>
Precautions for Supplemental Restraint System (SRS) "AIR BAG" and "SEAT BELT PRE-TENSIONER" .....	3	With ABLs or VDC .....	17	
Precautions for Brake System .....	3	REMOVAL AND INSTALLATION .....	18	G
<b>PREPARATION</b> .....	<b>4</b>	DISASSEMBLY AND ASSEMBLY .....	18	
Special Service Tool .....	4	<b>BRAKE BOOSTER</b> .....	<b>19</b>	H
Commercial Service Tools .....	4	On-Vehicle Service .....	19	
<b>NOISE, VIBRATION, AND HARSHNESS (NVH)</b>		OPERATING CHECK .....	19	I
<b>TROUBLESHOOTING</b> .....	<b>5</b>	AIRTIGHT CHECK .....	19	
NVH Troubleshooting Chart .....	5	With ABS or ABLs .....	20	J
<b>BRAKE PEDAL</b> .....	<b>6</b>	REMOVAL .....	20	
Inspection and Adjustment .....	6	INSTALLATION .....	20	K
INSPECTION .....	6	With VDC .....	21	
ADJUSTMENT .....	7	REMOVAL .....	21	L
Removal and Installation .....	8	INSTALLATION .....	22	
REMOVAL .....	9	<b>VACUUM LINES</b> .....	<b>23</b>	M
INSPECTION AFTER REMOVAL .....	10	Removal and Installation .....	23	
INSTALLATION .....	10	REMOVAL .....	23	
<b>BRAKE FLUID</b> .....	<b>11</b>	INSTALLATION .....	23	
On-board Inspection .....	11	Inspection .....	23	
LEVEL CHECK .....	11	VISUAL INSPECTION .....	23	
Drain and Refill .....	11	CHECK VALVE INSPECTION .....	23	
Bleeding Brake System .....	12	<b>FRONT DISC BRAKE</b> .....	<b>24</b>	
<b>BRAKE PIPING AND HOSE</b> .....	<b>13</b>	On-vehicle Inspection .....	24	
Hydraulic Circuit .....	13	PAD WEAR INSPECTION .....	24	
Removal and Installation of Front Brake Piping and Brake Hose .....	13	Components .....	24	
REMOVAL .....	13	Removal and Installation of Brake Pad .....	25	
INSTALLATION .....	14	REMOVAL .....	25	
Removal and Installation of Rear Brake Piping and Brake Hose .....	14	INSTALLATION .....	25	
REMOVAL .....	14	Removal and Installation of Brake Caliper and Disc Rotor .....	25	
INSTALLATION .....	14	REMOVAL .....	25	
Inspection After Installation .....	15	INSTALLATION .....	26	
<b>BRAKE MASTER CYLINDER</b> .....	<b>16</b>	Disassembly and Assembly of Brake Caliper .....	26	
On-board Inspection .....	16	DISASSEMBLY .....	26	
LEAK INSPECTION .....	16	CALIPER INSPECTION .....	27	
With ABS .....	16	ASSEMBLY .....	27	
REMOVAL AND INSTALLATION .....	16	DISC ROTOR INSPECTION .....	28	
		BRAKE BURNISHING PROCEDURE .....	28	
		<b>REAR DISC BRAKE</b> .....	<b>30</b>	
		On-vehicle Inspection .....	30	

---

PAD WEAR INSPECTION .....	30	INSTALLATION .....	31
Components .....	30	Disassembly and Assembly of Brake Caliper .....	32
Removal and Installation of Brake Pad .....	31	DISASSEMBLY .....	32
REMOVAL .....	31	CALIPER INSPECTION .....	32
INSTALLATION .....	31	ASSEMBLY .....	33
Removal and Installation of Brake Caliper and Disc		DISC ROTOR INSPECTION .....	33
Rotor .....	31	BRAKE BURNISHING PROCEDURE .....	34
REMOVAL .....	31	<b>SERVICE DATA AND SPECIFICATIONS (SDS) .....</b>	<b>35</b>
		General Specifications .....	35
		Brake Pedal .....	35
		Brake Booster .....	35
		Check Valve .....	35
		Front Disc Brake .....	35
		Rear Disc Brake .....	36

# PRECAUTIONS

## PRECAUTIONS

PFP:00001

### Precautions for Supplemental Restraint System (SRS) “AIR BAG” and “SEAT BELT PRE-TENSIONER”

EFS00400

The Supplemental Restraint System such as “AIR BAG” and “SEAT BELT PRE-TENSIONER”, used along with a front seat belt, helps to reduce the risk or severity of injury to the driver and front passenger for certain types of collision. This system includes seat belt switch inputs and dual stage front air bag modules. The SRS system uses the seat belt switches to determine the front air bag deployment, and may only deploy one front air bag, depending on the severity of a collision and whether the front occupants are belted or unbelted. Information necessary to service the system safely is included in the SRS and SB section of this Service Manual.

#### **WARNING:**

- To avoid rendering the SRS inoperative, which could increase the risk of personal injury or death in the event of a collision which would result in air bag inflation, all maintenance must be performed by an authorized NISSAN/INFINITI dealer.
- Improper maintenance, including incorrect removal and installation of the SRS, can lead to personal injury caused by unintentional activation of the system. For removal of Spiral Cable and Air Bag Module, see the SRS section.
- Do not use electrical test equipment on any circuit related to the SRS unless instructed to in this Service Manual. SRS wiring harnesses can be identified by yellow and/or orange harnesses or harness connectors.

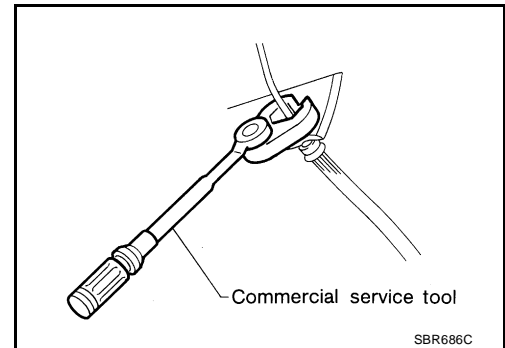
### Precautions for Brake System

EFS00401

- Always use recommended brake fluid. Refer to [MA-11, "RECOMMENDED FLUIDS AND LUBRICANTS"](#).
- Do not reuse drained brake fluid.
- Be careful not to splash brake fluid on painted areas.
- To clean or wash all parts of master cylinder, disc brake caliper and wheel cylinder, use clean brake fluid.
- Do not use mineral oils such as gasoline or kerosene. They will ruin rubber parts of the hydraulic system.
- Use flare nut wrench when removing and installing brake tube.
- Always check tightening torque when installing brake lines.
- Before working, turn ignition switch to OFF and disconnect connectors for ABS actuator and electric unit (control unit) or battery terminals.
- Burnish the brake contact surfaces after refinishing or replacing drums or rotors, after replacing pads or linings, or if a soft pedal occurs at very low mileage. Refer to [BR-28, "BRAKE BURNISHING PROCEDURE"](#).

#### **WARNING:**

- Clean brake pads and shoes with a waste cloth, then wipe with a dust collector.



# PREPARATION

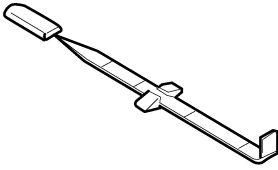
## PREPARATION

PF0:00002

### Special Service Tool

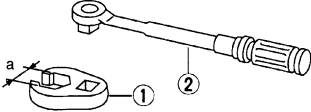
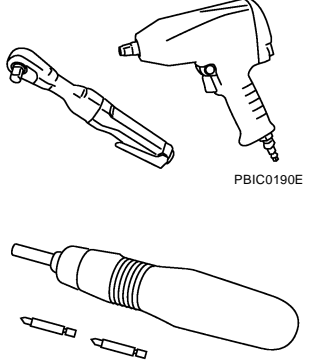
EFS0068T

The actual shapes of Kent-Moore tools may differ from those of special service tools illustrated here.

Tool number (Kent-Moore No.) Tool name	Description
<p>— (J-46532) Brake and clutch pedal height measurement tool</p>  <p style="text-align: right; font-size: small;">LFIA0227E</p>	<p>Measuring brake pedal height</p>

### Commercial Service Tools

EFS0068U

Tool name	Description
<p>1. Flare nut crowfoot 2. Torque wrench</p>  <p style="text-align: right; font-size: small;">S-NT360</p>	<p>Removing and installing each brake piping. <b>a: 10 mm (0.39 in) / 12 mm (0.47 in)</b></p>
<p>Power tool</p>  <p style="text-align: right; font-size: small;">PBIC0190E PBIC0191E</p>	<p>Removing nuts, bolts and screws.</p>

# NOISE, VIBRATION, AND HARSHNESS (NVH) TROUBLESHOOTING

## NOISE, VIBRATION, AND HARSHNESS (NVH) TROUBLESHOOTING

PF0:0003

### NVH Troubleshooting Chart

EF00403

Use the chart below to help you find the cause of the symptom. If necessary, repair or replace these parts.

Symptom	Possible cause and SUSPECTED PARTS		Reference page
	Noise	Shimmy, Shudder	
	×		<a href="#">BR-24, BR-30</a>
	×		<a href="#">BR-24, BR-30</a>
	×		<a href="#">BR-24, BR-30</a>
		×	<a href="#">BR-28, BR-33</a>
		×	<a href="#">BR-28, BR-33</a>
		×	<a href="#">BR-28, BR-33</a>
		×	<a href="#">BR-28, BR-33</a>
		×	<a href="#">BR-28, BR-33</a>
		×	<a href="#">BR-28, BR-33</a>
		×	<a href="#">BR-28, BR-34</a>
		×	<a href="#">BR-28, BR-34</a>
		×	<a href="#">PR-3, "NVH Troubleshooting Chart"</a>
	×		<a href="#">FFD-6, "NVH Troubleshooting Chart" (FFD)</a> , <a href="#">RFD-8, "NVH Troubleshooting Chart" (RFD without LD)</a> , <a href="#">RFD-40, "NVH Troubleshooting Chart" (RFD with LD)</a>
	×		<a href="#">FAX-4, "NVH Troubleshooting Chart" (FAX)</a> , <a href="#">RAX-4, "NVH Troubleshooting Chart" (RAX)</a>
	×		<a href="#">FSU-4, "NVH Troubleshooting Chart" (FSU)</a> , <a href="#">RSU-4, "NVH Troubleshooting Chart" (RSU)</a>
	×		<a href="#">WT-5, "NVH Troubleshooting Chart"</a>
	×		<a href="#">PS-5, "NVH Troubleshooting Chart"</a>

×: Applicable

A  
B  
C  
D  
E  
**BR**  
G  
H  
I  
J  
K  
L  
M

# BRAKE PEDAL

PFP:46501

EFS00404

## BRAKE PEDAL

### Inspection and Adjustment INSPECTION

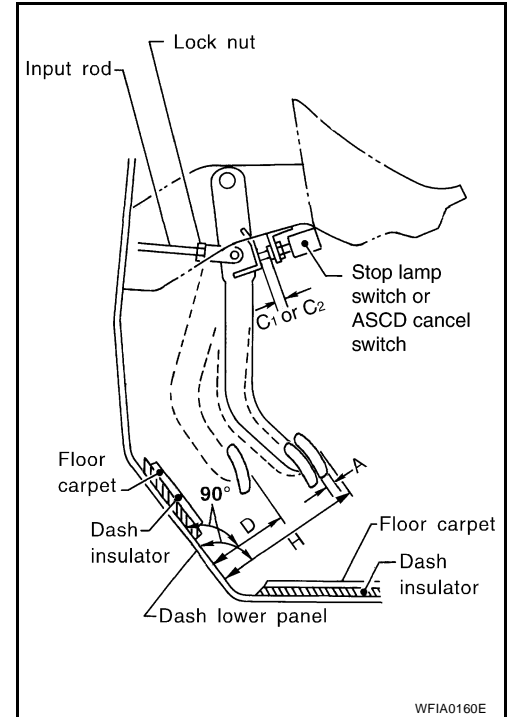
1. Inspect the brake pedal free height "H" from the dash lower panel using Tool.

**Tool number** : — (J-46532)

2. Adjust the height referring to the following specifications.

**CAUTION:**

**When equipped with adjustable pedal, the pedal must be in the forwardmost (closest to the floor) position for pedal height measurement.**



WFIA0160E

### Brake Pedal Specifications

Unit: mm (in)

Free height "H"	: 182.3 - 192.3 mm (7.18 - 7.57 in)
Depressed pedal height "D" [under a force of 490 N (50 kg-f, 110 lb-f) with engine running]	: More than 90.3 mm (3.55 in)
Clearance between pedal stopper and threaded end of stop lamp switch and ASCD cancel switch "C1 " or "C2 "	: 0.74 - 1.96 mm (0.029 - 0.077 in)
Pedal play "A"	: 3 - 11 mm (0.12 - 0.43 in)

# BRAKE PEDAL

## ADJUSTMENT

1. Loosen the stop lamp switch and ASCD cancel switch by turning 45° counterclockwise.
2. Loosen lock nut (A) on the input rod, then turn input rod to adjust the pedal to specified height. When finished adjusting, tighten lock nut (A).

**CAUTION:**

**Make sure that the screw portion of the end of input rod is located inside the clevis.**

**Lock nut (A) : 18.6 N·m (1.9 kg-m, 14 ft-lb)**

3. With the pedal pulled up and held by hand, press the stop lamp switch and the ASCD switch in until threaded ends contact pedal bracket.
4. With the threaded ends of the stop lamp switch and ASCD switch contacting the pedal bracket, turn the switches 45° clockwise to lock in place.

**CAUTION:**

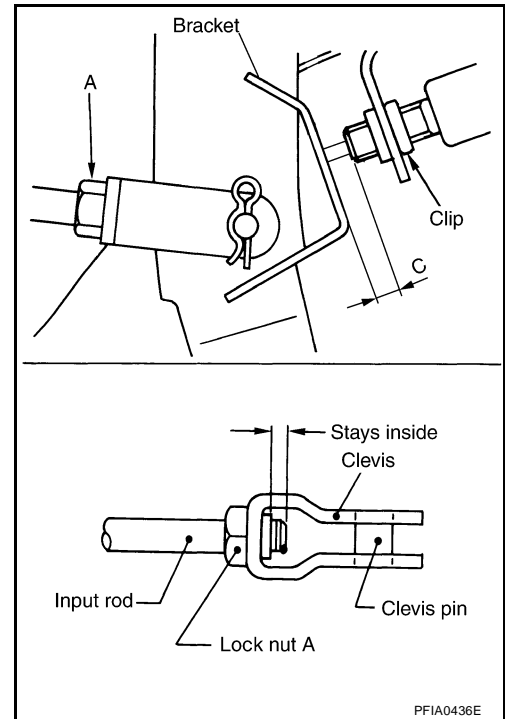
**Make sure that the gap (C) between the bracket and switch ends are within specification.**

5. Check the pedal play.

**CAUTION:**

**Make sure that the stop lamp goes off when the pedal is released.**

6. Start the engine and check the height of the brake pedal when depressing it.



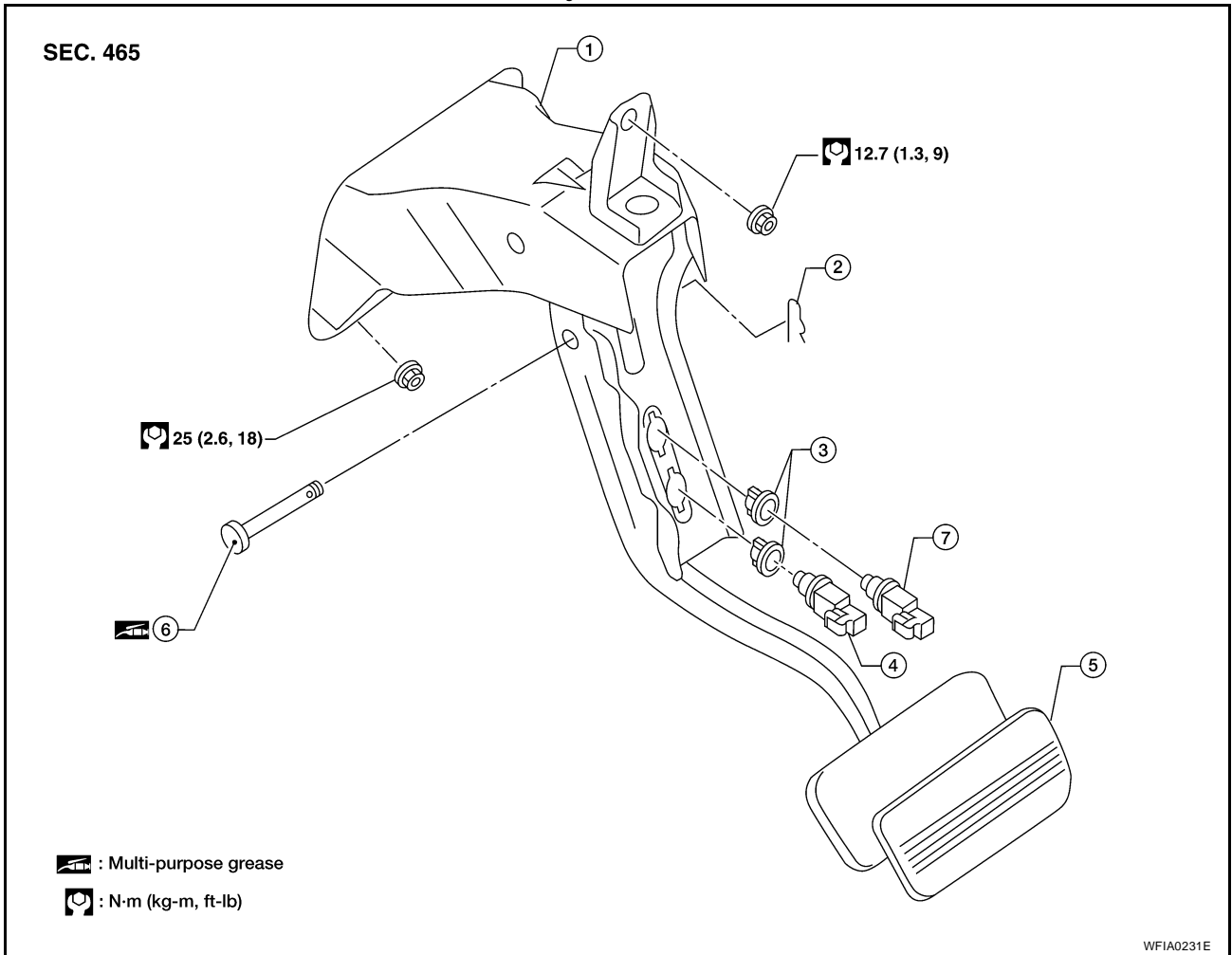
A  
B  
C  
D  
E  
BR  
G  
H  
I  
J  
K  
L  
M

# BRAKE PEDAL

## Removal and Installation

EFS00405

### Non-Adjustable Pedals



1. Brake pedal assembly
4. Stop lamp switch
7. ASCD cancel switch

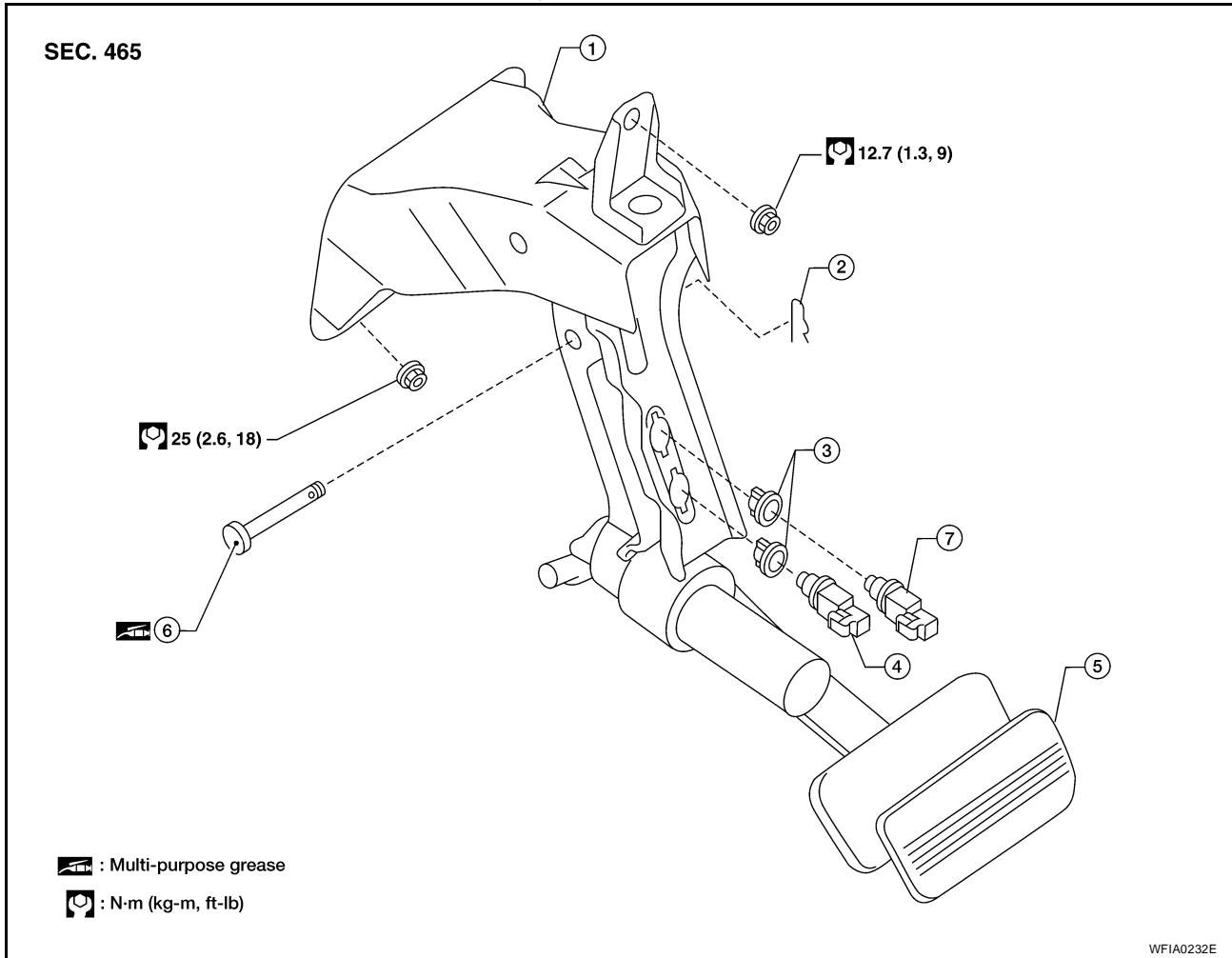
2. Snap pin
5. Pedal pad

3. Clip
6. Clevis pin



# BRAKE PEDAL

## Adjustable Pedals



- |                         |              |               |
|-------------------------|--------------|---------------|
| 1. Brake pedal assembly | 2. Snap pin  | 3. Clip       |
| 4. Stop lamp switch     | 5. Pedal pad | 6. Clevis pin |
| 7. ASCD cancel switch   |              |               |

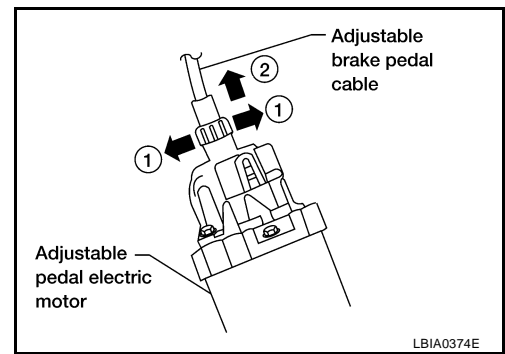
## REMOVAL

### CAUTION:

- Before removal and installation the accelerator and brake pedals must be in the forwardmost position (closest to the floor). This is to align the base position of the accelerator and brake pedals (adjustable type only).
  - Do not disassemble the brake pedal adjusting mechanism (adjustable type only).
  - Avoid damage from dropping the brake pedal assembly during handling.
  - Keep the brake pedal assembly away from water.
1. Remove the lower instrument panel LH. Refer to [IP-13, "LOWER INSTRUMENT PANEL LH"](#).
  2. Remove the stop lamp switch and ASCD cancel switch from the pedal assembly by turning 45° counter-clockwise.

# BRAKE PEDAL

3. On adjustable pedal assembly, disconnect the adjustable brake pedal cable from the adjustable pedal electric motor.
  - Unlock (1) then pull (2) the adjustable brake pedal cable to disconnect it from the adjustable pedal electric motor as shown.
4. Remove snap pin and clevis pin from the clevis of brake booster.
5. Remove brake pedal assembly nuts and the pedal assembly.
  - Temporarily install nuts by hand to support booster.



## **WARNING:**

**Do not deform the brake tube.**

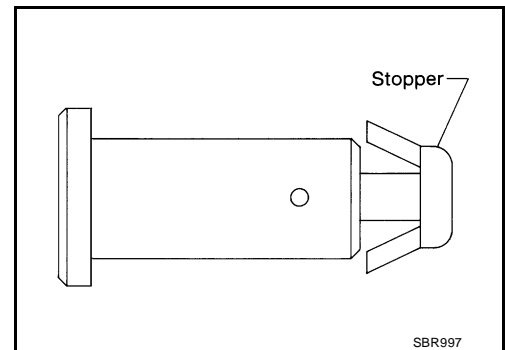
## **CAUTION:**

- Before removal and installation the accelerator and brake pedals must be in the forwardmost position (closest to the floor). This is to align the base position of the accelerator and brake pedals (adjustable type only).
- Do not disassemble the brake pedal adjusting mechanism (adjustable type only).
- Avoid damage from dropping the brake pedal assembly during handling.
- Keep the brake pedal assembly away from water.

## **INSPECTION AFTER REMOVAL**

Check brake pedal assembly for following items.

- Crack or deformation of clevis pin stopper
- Clevis pin deformation
- Crack of any welded portion
- Brake pedal bend



## **INSTALLATION**

1. Installation is in the reverse order of removal.
  - Check the brake pedal for smooth operation. There should be no binding or sticking when applying or releasing the brake pedal.
  - Check the brake pedal adjustable feature for smooth operation. There should be no binding or sticking when adjusting the brake pedal forward or backward.
- After installing the brake pedal assembly in the vehicle, be sure to adjust it. Refer to [BR-6, "Inspection and Adjustment"](#) .

# BRAKE FLUID

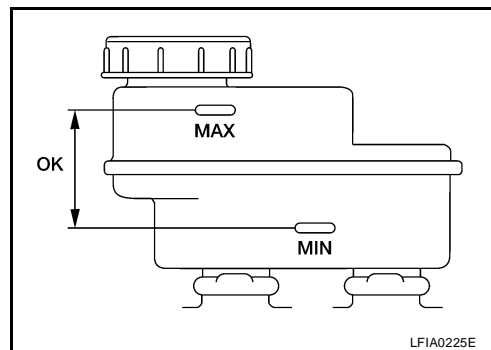
## BRAKE FLUID

PPF:KN100

### On-board Inspection LEVEL CHECK

EFS00406

- Make sure the fluid level in reservoir tank is within the standard (between MAX and MIN lines).
- Visually check around reservoir tank for fluid leaks.
- If fluid level is excessively low, check brake system for leaks.
- If brake warning lamp remains illuminated after parking brake pedal is released, check brake system for fluid leakage.



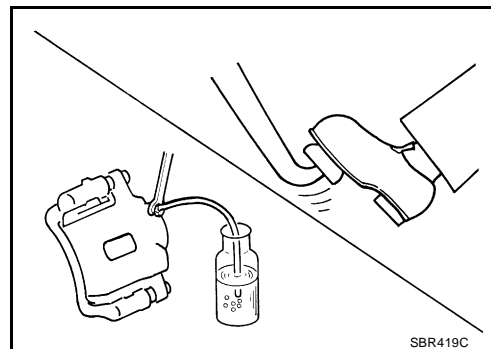
### Drain and Refill

EFS00407

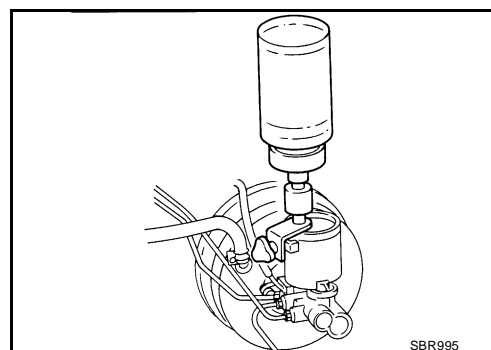
#### CAUTION:

- Refill with new brake fluid. Refer to [MA-11. "RECOMMENDED FLUIDS AND LUBRICANTS"](#).
- Do not reuse drained brake fluid.
- Do not let brake fluid splash on the painted surfaces of the body. This might damage the paint, so if splashing it, immediately wipe off the area and wash away with water.
- Before servicing, disconnect ABS actuator and electric unit (control unit) connector or battery negative cable.

1. Connect a vinyl tube to each bleed valve.
2. Depress brake pedal, loosen each bleed valve, and gradually remove brake fluid.



3. Make sure there is no foreign material in reservoir tank, and refill with new brake fluid.
4. Rest foot on brake pedal. Loosen bleed valve. Slowly depress pedal until it stops. Tighten bleed valve. Release brake pedal. Repeat this process a few times, then pause to add new brake fluid to master cylinder. Continue until new brake fluid flows out. Bleed air. Refer to [BR-12. "Bleeding Brake System"](#).



---

## Bleeding Brake System

EFS00408

### **CAUTION:**

**While bleeding, pay attention to master cylinder fluid level.**

1. Turn ignition switch OFF and disconnect ABS actuator and electric unit (control unit) connector or battery negative cable.
2. Connect a vinyl tube to the rear right bleed valve.
3. Fully depress brake pedal 4 to 5 times.
4. With brake pedal depressed, loosen bleed valve to let the air out, and then tighten it immediately.
5. Repeat steps 3 and 4 until no more air comes out.
6. Tighten bleed valve to the specified torque. Refer to [BR-24, "Components"](#) (front disc brake), [BR-30, "Components"](#) (rear disc brake).
7. Repeat steps 2 through 6 at each wheel, with master cylinder reservoir tank filled at least half way, bleeding air in order from the front left, rear left, and front right bleed valves.

# BRAKE PIPING AND HOSE

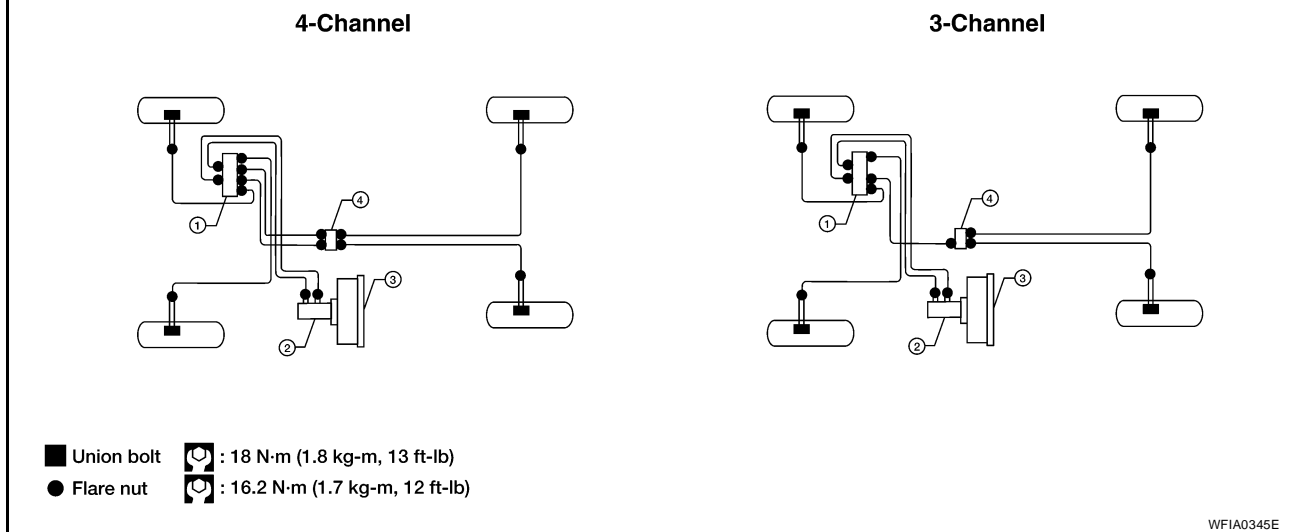
## BRAKE PIPING AND HOSE

PFP:46210

### Hydraulic Circuit

EFS00409

SEC. 462



1. Actuator
2. Master cylinder
3. Brake booster
4. Connector

#### CAUTION:

- All hoses and piping (tubes) must be free from excessive bending, twisting and pulling.
- Make sure there is no interference with other parts when turning steering both clockwise and counterclockwise.
- The brake piping is an important safety part. If a brake fluid leak is detected, always disassemble the parts. Replace applicable part with a new one, if necessary.
- Be careful not to splash brake fluid on painted areas; it may cause paint damage. If brake fluid is splashed on painted areas, wash it away with water immediately.
- Do not bend or twist brake hose sharply, or strongly pull it.
- When removing components, cover connections so that no dirt, dust, or other foreign matter gets in.
- Refill with new brake fluid. Refer to [MA-11, "RECOMMENDED FLUIDS AND LUBRICANTS"](#).
- Do not reuse drained brake fluid.

## Removal and Installation of Front Brake Piping and Brake Hose

EFS0040A

### REMOVAL

1. Drain brake fluid. Refer to [BR-11, "Drain and Refill"](#).
2. Using a flare nut wrench, remove brake tube from brake hose.
3. Remove lock plate and brake hose from bracket.
4. Remove union bolt and then remove brake hose from cylinder body.

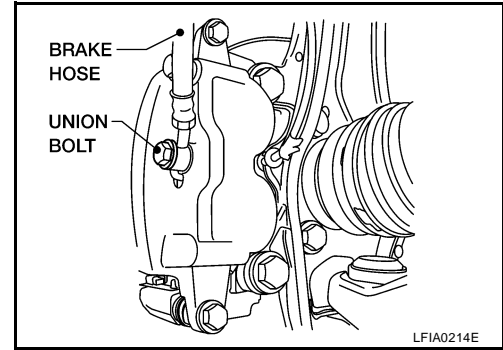
# BRAKE PIPING AND HOSE

## INSTALLATION

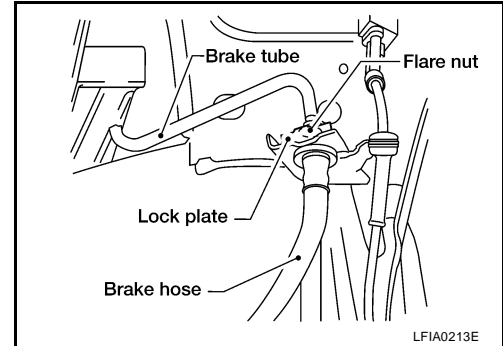
1. Install brake hose by aligning with the protrusion on cylinder body, then install the union bolt and new copper washers.

### NOTE:

Do not reuse copper washer.



2. Insert brake hose end through bracket, then secure it to bracket with lock plate.
3. Install brake tube to brake hose, then tighten the flare nut using a flare nut wrench.
4. Refill brake fluid and bleed air. Refer to [BR-12, "Bleeding Brake System"](#).



## Removal and Installation of Rear Brake Piping and Brake Hose

EFS0040B

### REMOVAL

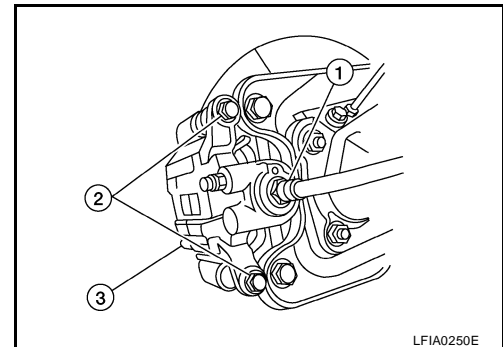
1. Drain brake fluid. Refer to [BR-11, "Drain and Refill"](#).
2. Using a flare nut wrench, remove brake tube from brake hose.
3. Remove lock plate and brake hose from bracket.
4. Remove brake hose from cylinder body.

### INSTALLATION

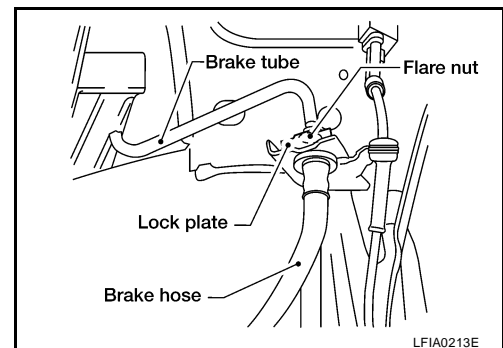
1. Install brake hose (1) and new copper washer to cylinder body and tighten to specification. Refer to [BR-13, "Hydraulic Circuit"](#).
  - (2): Bolt
  - (3): Rear cylinder body

### NOTE:

Do not reuse copper washer.



2. Insert brake hose end through bracket, then secure it to bracket with lock plate.
3. Install brake tube to brake hose, then tighten the flare nut using a flare nut wrench. Refer to [BR-13, "Hydraulic Circuit"](#).
4. Refill brake fluid and bleed air. Refer to [BR-12, "Bleeding Brake System"](#).



# BRAKE PIPING AND HOSE

## Inspection After Installation

EFS0040C

### CAUTION:

**If a leak is detected at the connections, retighten it or, if necessary, replace the damaged part.**

1. Check brake lines (tubes and hoses), and connections for fluid leaks, damage, twist, deformation, contact with other parts, and loose connections. Replace any damage parts.
2. While depressing brake pedal under a force of 785 N (80 kg, 177 lb) with engine running for approximately 5 seconds, check for fluid leakage from each part.

A

B

C

D

E

BR

G

H

I

J

K

L

M

# BRAKE MASTER CYLINDER

## BRAKE MASTER CYLINDER

PFP:46010

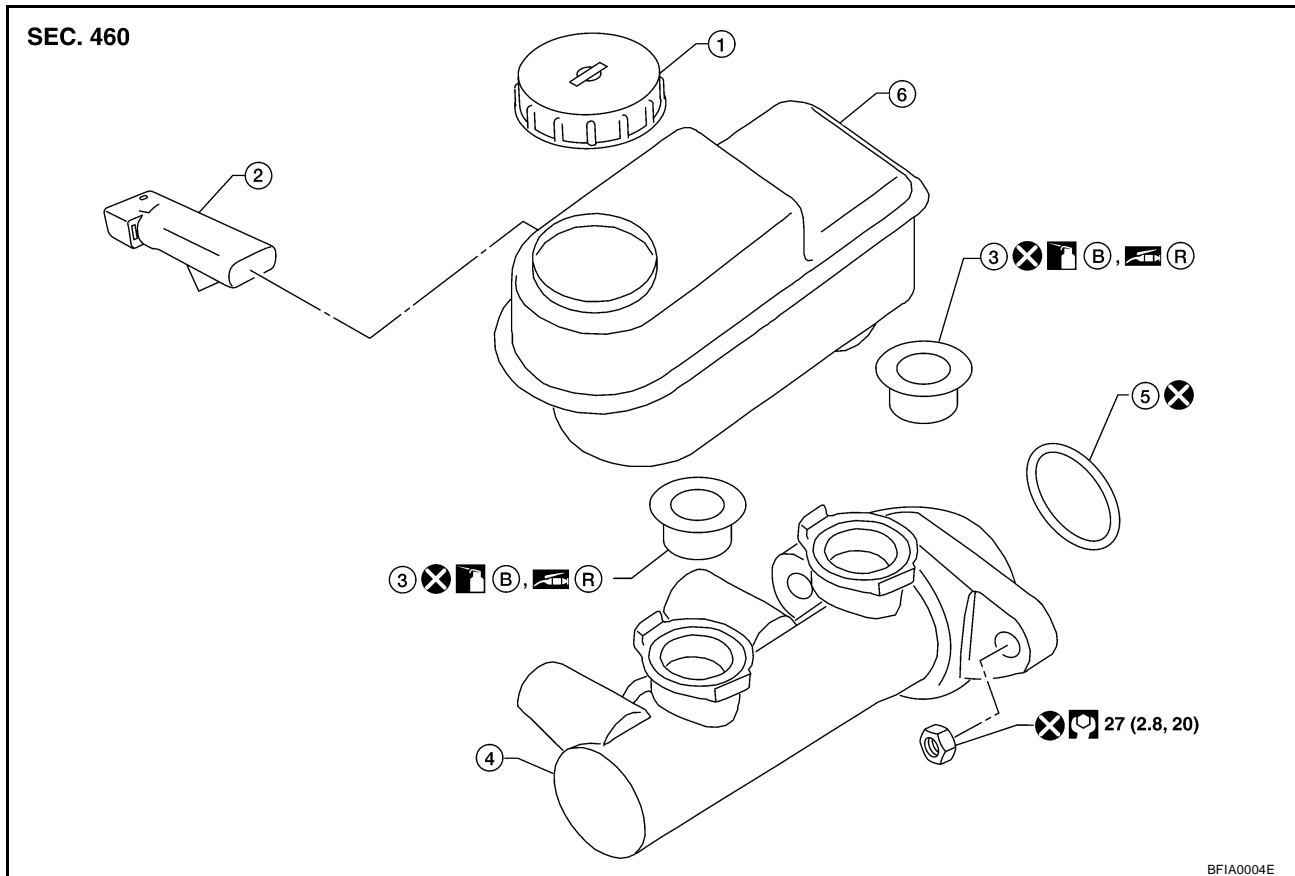
### On-board Inspection LEAK INSPECTION

EFS0040D

- Check for leaks at master cylinder to brake booster attachment point, reservoir tank, and brake tube connections.

### With ABS

EFS0040E



- |                                 |                       |                   |
|---------------------------------|-----------------------|-------------------|
| 1. Reservoir cap                | 2. Fluid level sensor | 3. Grommet        |
| 4. Master cylinder sub-assembly | 5. Seal               | 6. Reservoir tank |

### CAUTION:

Be careful not to splash brake fluid on painted areas; it may cause paint damage. If brake fluid is splashed on painted areas, wash it away with water immediately.

## REMOVAL AND INSTALLATION

### Removal

1. Drain brake fluid. Refer to [BR-11, "Drain and Refill"](#).
2. Disconnect harness connector for fluid level sensor.
3. Using a flare nut wrench, disconnect brake tube from master cylinder assembly.
4. Remove master cylinder assembly nuts and master cylinder assembly.

### Installation

Installation is in the reverse order of removal.

- Refill brake fluid and bleed air. Refer to [BR-12, "Bleeding Brake System"](#).

### CAUTION:

- Refill with new brake fluid. Refer to [MA-11, "RECOMMENDED FLUIDS AND LUBRICANTS"](#).
- Do not reuse drained brake fluid.
- Adjust brake pedal. Refer to [BR-7, "ADJUSTMENT"](#).



# BRAKE MASTER CYLINDER

## DISASSEMBLY AND ASSEMBLY

### Disassembly

#### CAUTION:

- Master cylinder cannot be disassembled.
- Remove reservoir tank only when absolutely necessary.

Pull reservoir tank off master cylinder sub-assembly, then remove grommets from master cylinder sub-assembly body.

### Assembly

#### CAUTION:

- Never use mineral oil such as kerosene or gasoline during the cleaning and assembly process.
  - Do not drop parts. If a part is dropped, do not use it.
1. Apply brake fluid or rubber grease to new grommets, then insert into master cylinder sub-assembly. Refer to [MA-11, "RECOMMENDED FLUIDS AND LUBRICANTS"](#).

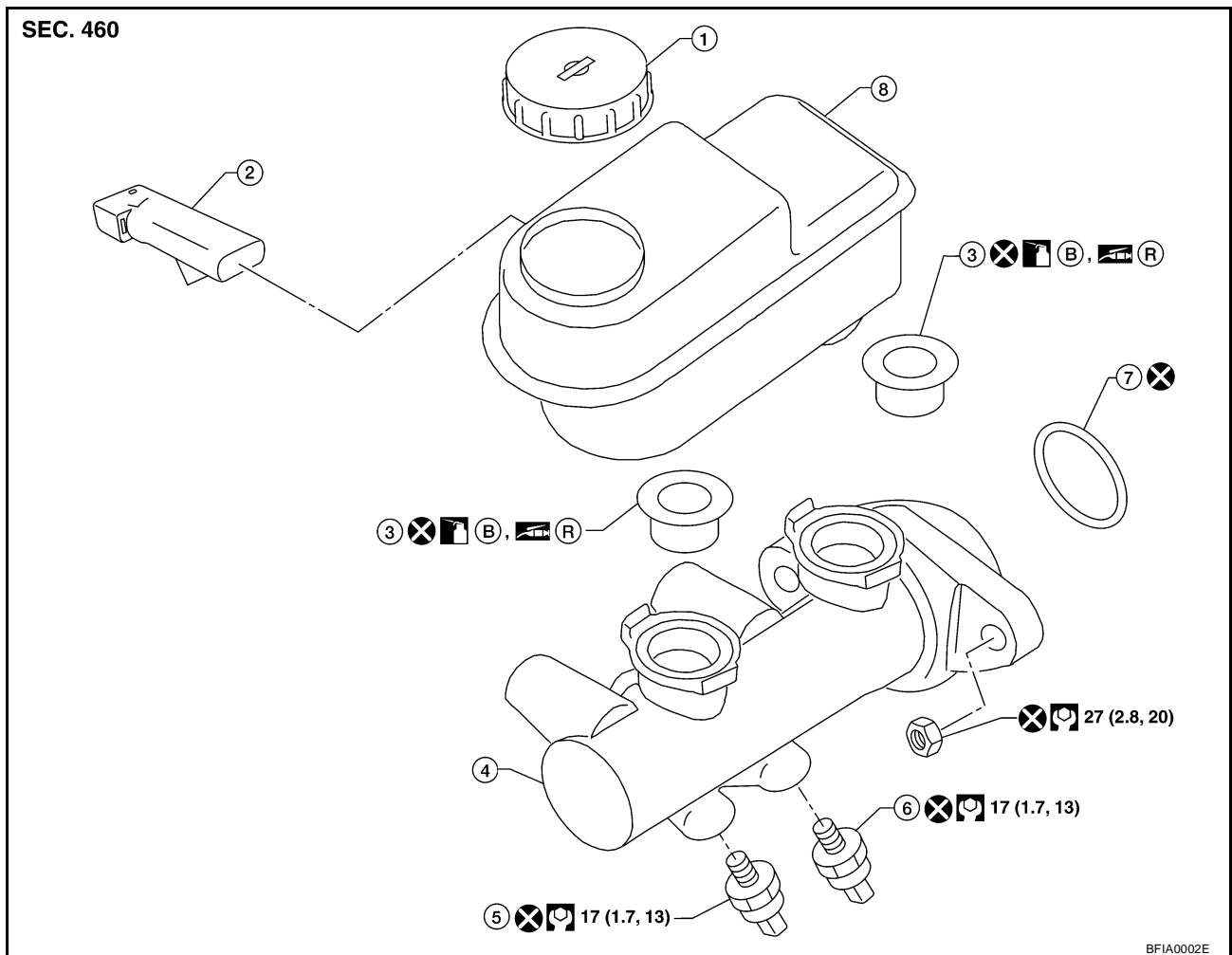
#### CAUTION:

Do not reuse grommet.

2. Install reservoir tank onto master cylinder assembly.

### With ABLs or VDC

EFS0040F



# BRAKE MASTER CYLINDER

---

## REMOVAL AND INSTALLATION

### Removal

#### CAUTION:

- Be careful not to splash brake fluid on painted areas; it may cause paint damage. If brake fluid is splashed on painted areas, wash it away with water immediately.
  - Before removing brake master cylinder, depress the brake pedal 5-6 times with the key OFF to deplete vacuum in the booster.
1. Drain brake fluid. Refer to [BR-11, "Drain and Refill"](#) .
  2. Disconnect harness connectors for fluid level sensor and pressure sensors.
  3. Using a flare nut wrench, disconnect brake tube from master cylinder assembly.
  4. Remove master cylinder assembly nuts and master cylinder assembly.

### Installation

Installation is in the reverse order of removal.

- Refill brake fluid and bleed air. Refer to [BR-12, "Bleeding Brake System"](#) .

#### CAUTION:

- Refill with new brake fluid. Refer to [MA-11, "RECOMMENDED FLUIDS AND LUBRICANTS"](#) .
  - Do not reuse drained brake fluid.
- Adjust brake pedal. Refer to [BR-7, "ADJUSTMENT"](#) .

## DISASSEMBLY AND ASSEMBLY

### Disassembly

#### CAUTION:

- Master cylinder cannot be disassembled.
  - Remove reservoir tank only when absolutely necessary.
1. Pull reservoir tank off master cylinder sub-assembly, then remove grommets from master cylinder sub-assembly body.
  2. Remove master cylinder front and rear pressure sensors.

### Assembly

#### CAUTION:

- Never use mineral oil such as kerosene or gasoline during the cleaning and assembly process.
  - Do not drop parts. If a part is dropped, do not use it.
1. Apply brake fluid or rubber grease to new grommets, then insert into master cylinder sub-assembly. Refer to [MA-11, "RECOMMENDED FLUIDS AND LUBRICANTS"](#) .

#### CAUTION:

**Do not reuse grommet.**

2. Install reservoir tank onto master cylinder assembly.
3. Install master cylinder front and rear pressure sensors.

# BRAKE BOOSTER

## BRAKE BOOSTER

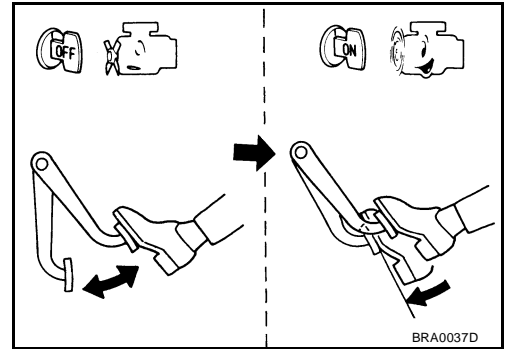
PFP:47200

### On-Vehicle Service OPERATING CHECK

EF50040G

With engine stopped, change the vacuum to the atmospheric pressure by depressing brake pedal several times. Then with brake pedal fully depressed, start engine and when the vacuum pressure reaches the standard, make sure the clearance between brake pedal and floor panel decreases.

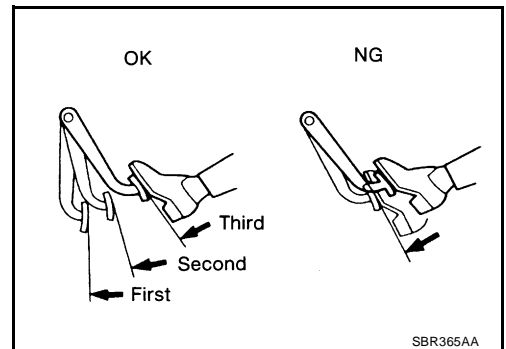
**CAUTION:**  
Depressing pedal interval is approximately 5 seconds.



### AIRTIGHT CHECK

- Run engine at idle for approximately 1 minute, and stop it after applying vacuum to booster. Depress brake pedal normally to change the vacuum to the atmospheric pressure. Make sure distance between brake pedal and floor panel gradually increases.
- Depress brake pedal while engine is running and stop engine with pedal depressed. The pedal stroke should not change after holding pedal down for 30 seconds.

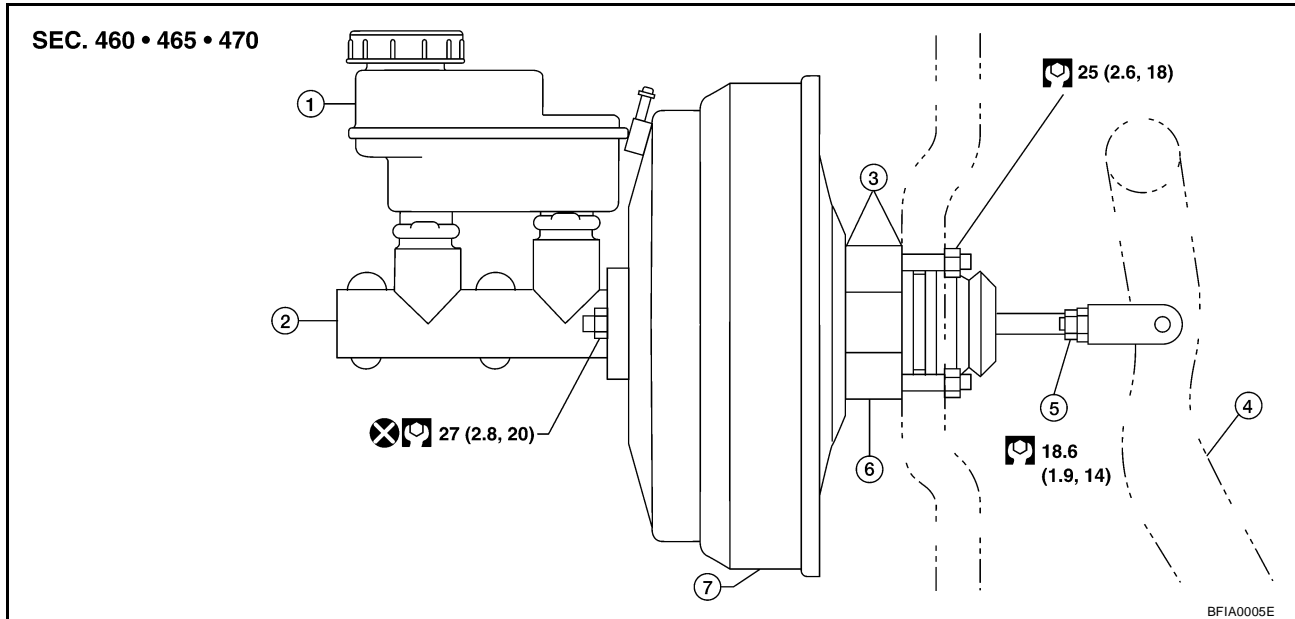
**CAUTION:**  
Depressing pedal interval is approximately 5 seconds.



# BRAKE BOOSTER

## With ABS or ABLs

EFS0040H



## REMOVAL

### CAUTION:

- Be careful not to deform or bend brake piping while removing and installing brake booster.
- Replace clevis pin if it is damaged.
- Be careful not to damage brake booster stud bolt threads. If brake booster is tilted or inclined during installation, dash panel may damage the threads.
- Attach the check valve in the correct direction.

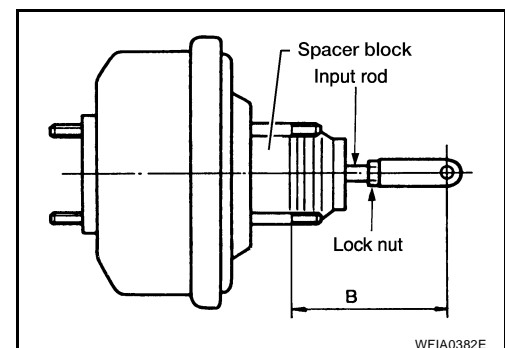
1. Remove engine room cover with power tool. Refer to [EM-12, "Removal and Installation"](#).
2. Remove engine air duct assembly. Refer to [EM-15, "Removal and Installation"](#).
3. Remove brake piping from brake master cylinder.
4. Remove brake master cylinder. Refer to [BR-16, "Removal"](#).
5. Remove vacuum hose from brake booster. Refer to [BR-23, "VACUUM LINES"](#).
6. Remove brake pedal attachment snap pin and clevis pin from inside the vehicle.
7. Remove nuts on brake booster and brake pedal assembly.
8. Remove brake booster assembly from dash panel.

## INSTALLATION

1. Loosen lock nut to adjust input rod length so that the length "B", as shown, satisfies the specified value.

**Length "B" : 151 mm (5.94 in)**

2. After adjusting "B", temporarily tighten lock nut and install booster assembly to the vehicle.
  - Install a gaskets and spacer block between booster assembly and the dash panel.
3. Connect brake pedal with clevis of input rod.



4. Install pedal bracket nuts and tighten them to the specified torque.

# BRAKE BOOSTER

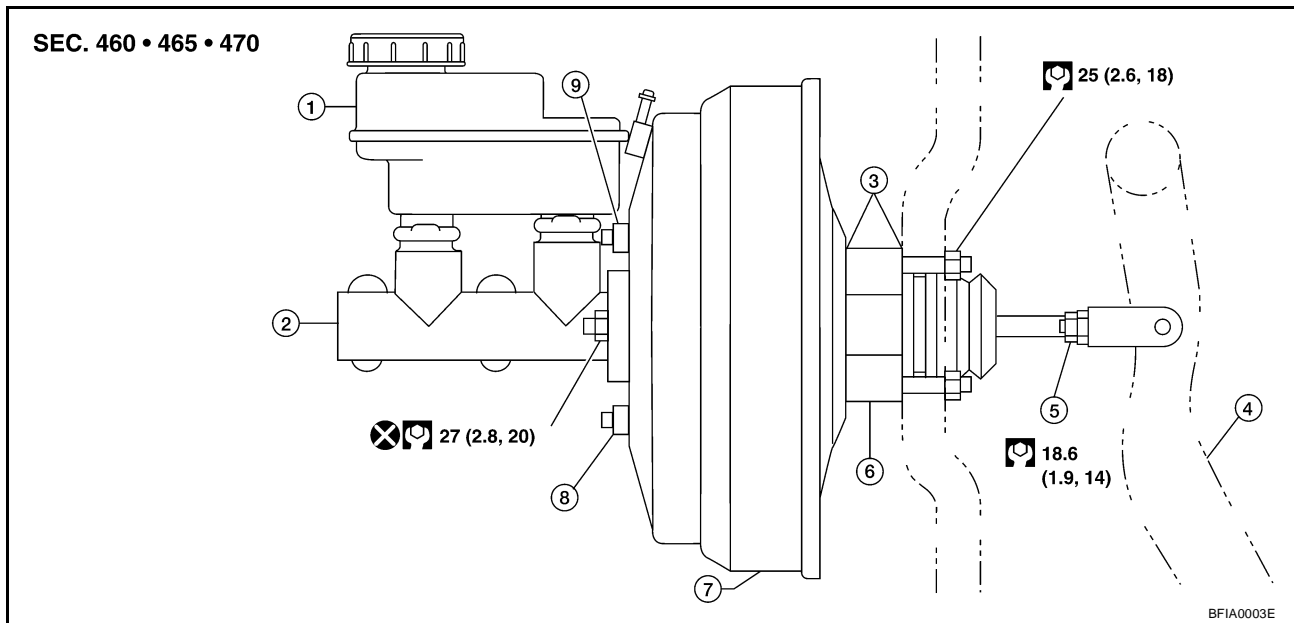
5. Install brake piping from brake master cylinder to ABS actuator and electric unit (control unit). Refer to [BR-13, "Hydraulic Circuit"](#).
6. Connect vacuum hose to brake booster.
7. Install master cylinder to booster assembly. Refer to [BR-16, "Installation"](#).
8. Adjust the height and play of brake pedal. Refer to [BR-7, "ADJUSTMENT"](#).
9. Tighten lock nut of input rod to the specified torque.
10. Install engine air duct assembly. Refer to [EM-15, "Removal and Installation"](#).
11. Install engine room cover. Refer to [EM-12, "Removal and Installation"](#).
12. Refill brake fluid and bleed air. Refer to [BR-12, "Bleeding Brake System"](#).

## CAUTION:

- Refill with new brake fluid. Refer to [MA-11, "RECOMMENDED FLUIDS AND LUBRICANTS"](#).
- Do not reuse drained brake fluid.

## With VDC

EFS0040I



- |                   |                    |                        |
|-------------------|--------------------|------------------------|
| 1. Reservoir tank | 2. Master cylinder | 3. Gasket              |
| 4. Brake pedal    | 5. Lock nut        | 6. Spacer block        |
| 7. Brake booster  | 8. Active booster  | 9. Delta stroke sensor |

## REMOVAL

### CAUTION:

- Be careful not to deform or bend brake piping while removing and installing brake booster.
  - Replace clevis pin if it is damaged.
  - Be careful not to damage brake booster stud bolt threads. If brake booster is tilted or inclined during installation, dash panel may damage the threads.
  - Attach the check valve in the correct direction.
1. Remove engine room cover with power tool. Refer to [EM-12, "Removal and Installation"](#).
  2. Remove engine air duct assembly. Refer to [EM-15, "Removal and Installation"](#).
  3. Remove brake piping from brake master cylinder.
  4. Remove brake master cylinder. Refer to [BR-18, "Removal"](#).
  5. Remove vacuum hose from brake booster. Refer to [BR-23, "VACUUM LINES"](#).
  6. Disconnect active boost and delta stroke sensor harness connectors from brake booster assembly.
  7. Remove brake pedal attachment snap pin and clevis pin from inside the vehicle.
  8. Remove nuts on brake booster and brake pedal assembly.
  9. Remove brake booster assembly from dash panel.

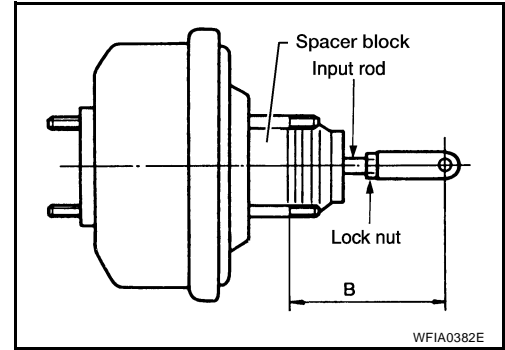
# BRAKE BOOSTER

## INSTALLATION

1. Loosen lock nut to adjust input rod length so that the length "B" (in the figure) satisfies the specified value.

**Length "B" : 151 mm (5.94 in)**

2. After adjusting "B", temporarily tighten lock nut and install booster assembly to the vehicle.
  - Install a gaskets and spacer block between booster assembly and the dash panel.
3. Connect brake pedal with clevis of input rod.



4. Install pedal bracket mounting nuts and tighten them to the specified torque.
5. Install brake piping from brake master cylinder to ABS actuator and electric unit (control unit). Refer to [BR-13, "Hydraulic Circuit"](#).
6. Connect active boost and delta stroke sensor harness connectors to brake booster assembly.
7. Connect vacuum hose to brake booster.
8. Install master cylinder to booster assembly. Refer to [BR-18, "Installation"](#).
9. Adjust the height and play of brake pedal. Refer to [BR-7, "ADJUSTMENT"](#).
10. Tighten lock nut of input rod to the specified torque.
11. Install engine air duct assembly. Refer to [EM-15, "Removal and Installation"](#).
12. Install engine room cover. Refer to [EM-12, "Removal and Installation"](#).
13. Refill brake fluid and bleed air. Refer to [BR-12, "Bleeding Brake System"](#).

### CAUTION:

- Refill with new brake fluid. Refer to [MA-11, "RECOMMENDED FLUIDS AND LUBRICANTS"](#).
- Do not reuse drained brake fluid.

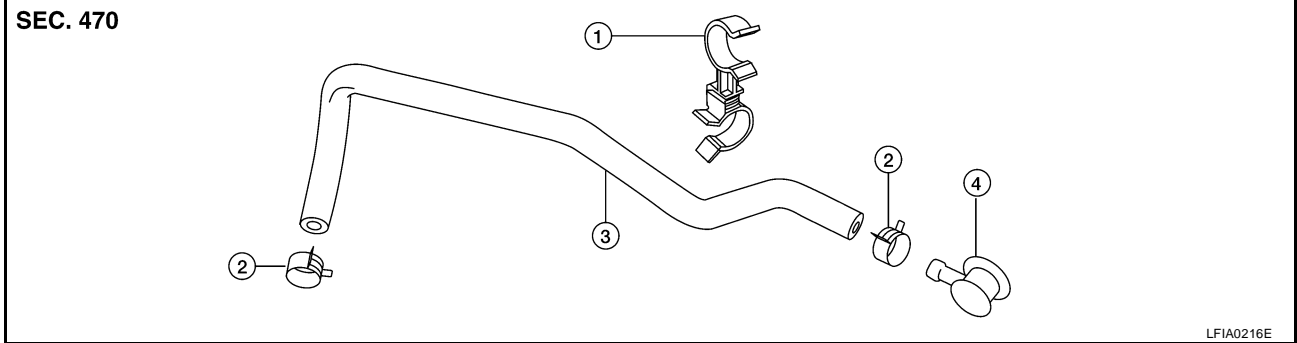
# VACUUM LINES

## VACUUM LINES

PFP:41920

### Removal and Installation

EFS0040J



1. Hose clip
2. Clamp
3. Vacuum hose
4. Check valve

### REMOVAL

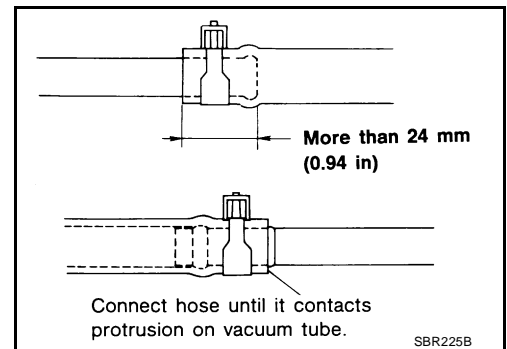
1. Disconnect vacuum hose from hose clip.
2. Release clamps and disconnect vacuum hose.
3. Remove check valve from brake booster.

### INSTALLATION

1. Installation is in the reverse order of removal.

#### CAUTION:

- Insert vacuum hose for at least 24 mm (0.94 in).
- Do not use lubricating oil during assembly.



### Inspection

#### VISUAL INSPECTION

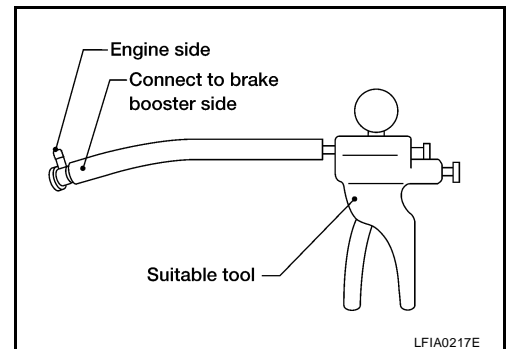
Check for improper assembly, damage and deterioration.

#### CHECK VALVE INSPECTION

##### Airtightness Inspection

Use a suitable vacuum pump to check. Connect to brake booster side of check valve.

**Check valve specification** : Vacuum decrease should be within 1.3 kPa (10 mmHg, 0.39 inHg) for 15 seconds under a vacuum of - 66.7 kPa (- 500 mmHg, - 19.69 inHg)



A  
B  
C  
D  
E  
BR  
G  
H  
I  
J  
K  
L  
M

# FRONT DISC BRAKE

## FRONT DISC BRAKE

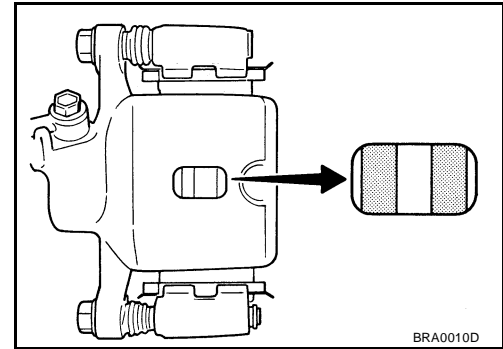
PFP:41000

### On-vehicle Inspection PAD WEAR INSPECTION

EFS0040L

- Inspect the thickness of pad through cylinder body inspection hole. Use a scale for inspection if necessary.

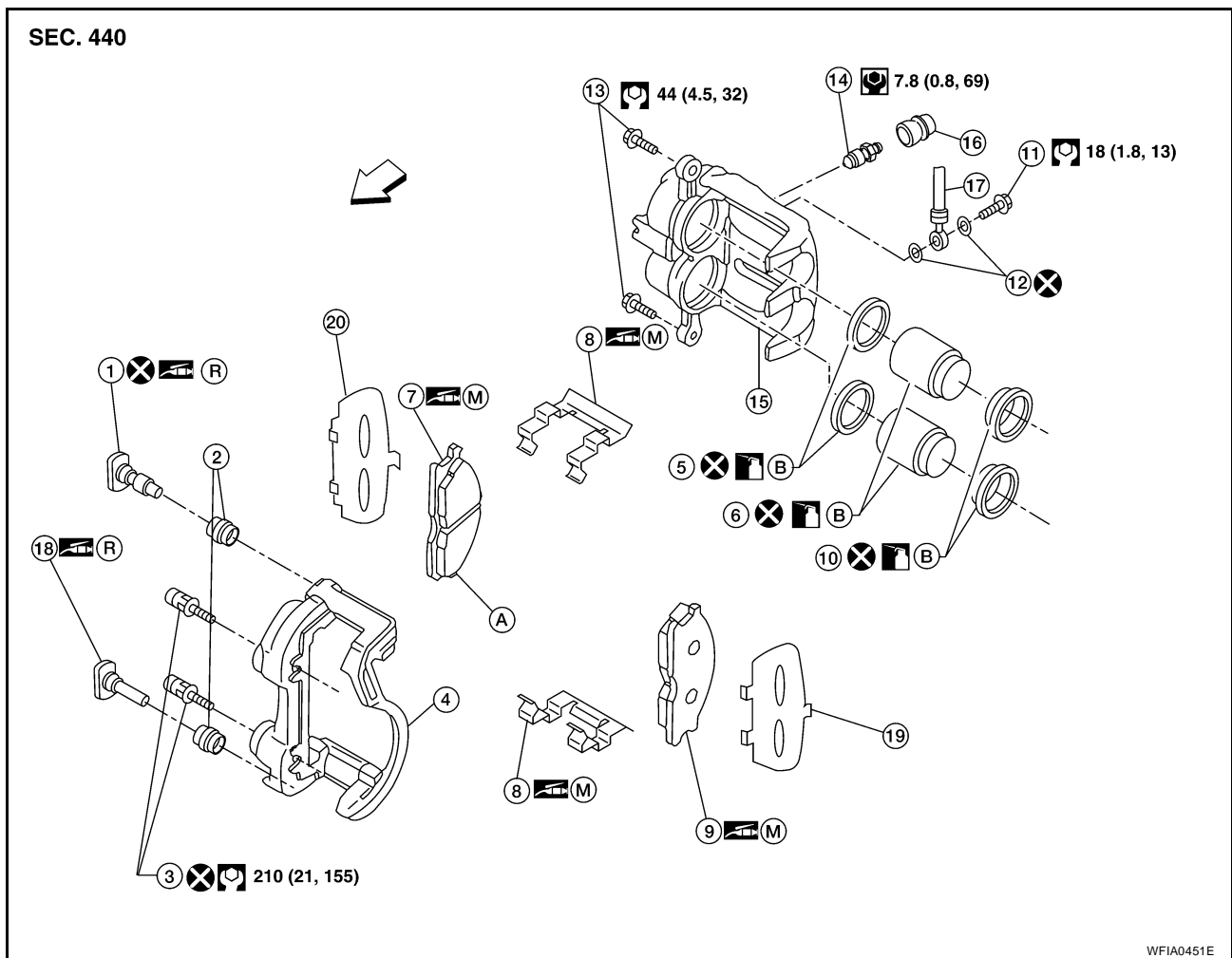
**Standard thickness** : 11.88 mm (0.468 in)  
**Repair limit thickness** : 1.0 mm (0.039 in)



BRA0010D

## Components

EFS0040M



WFIA0451E

- |                      |                     |                       |
|----------------------|---------------------|-----------------------|
| 1. Upper sliding pin | 2. Sliding pin boot | 3. Torque member bolt |
| 4. Torque member     | 5. Piston seal      | 6. Piston             |
| 7. Inner pad         | 8. Pad retainer     | 9. Outer pad          |
| 10. Piston boot      | 11. Union bolt      | 12. Copper washer     |
| 13. Sliding pin bolt | 14. Bleed valve     | 15. Cylinder body     |
| 16. Cap              | 17. Brake hose      | 18. Lower sliding pin |
| 19. Outer shim       | 20. Inner shim      | A. Wear indicator     |
- ← Front



# FRONT DISC BRAKE

## WARNING:

Clean dust on caliper and brake pad with a vacuum dust collector to minimize the hazard of airborne particles or other materials.

## CAUTION:

- While removing cylinder body never depress brake pedal because piston will pop out.
- It is not necessary to remove bolts on torque member and brake hose except for disassembly or replacement of cylinder body. In this case, hang cylinder body with a wire so as not to stretch brake hose.
- Do not damage piston boot.
- Burnish brake contact surface after refinishing or replacing rotors, after replacing pads, or if a soft pedal occurs at very low mileage. Refer to [BR-28, "BRAKE BURNISHING PROCEDURE"](#).

## Removal and Installation of Brake Pad

EFS0040N

### REMOVAL

1. Remove tires from vehicle using power tool.
2. Remove lower sliding pin bolt.
3. Suspend cylinder body using suitable wire and remove pads, shims, and pad retainers from torque member.

### INSTALLATION

1. Push pistons in so that pad is firmly installed and mount cylinder body to torque member.

#### CAUTION:

By pushing in piston, brake fluid returns to master cylinder reservoir tank. Watch the level of the surface of reservoir tank.

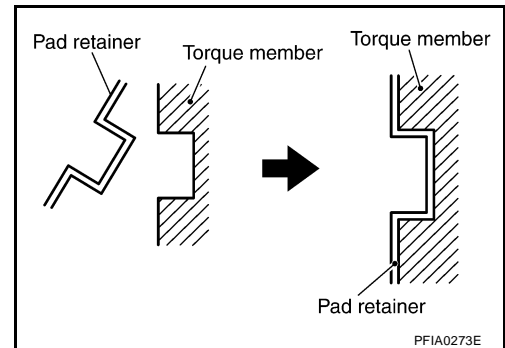
#### NOTE:

Using a commercially available disc brake piston tool, makes it easier to push in piston.

2. Attach pad retainers, pads and shims to torque member.
  - Apply Molykote M-77 grease to pad retainer where brake pad contacts and between pad and shim.

#### CAUTION:

- When attaching pad retainer, attach it firmly so that it is seated fully in the torque member as shown.
- Do not get grease on the brake rotor friction surface.



3. Install lower sliding pin bolt and tighten it to the specified torque. Refer to [BR-24, "Components"](#).
4. Check brake for drag.
5. Install tires to the vehicle. Refer to [WT-8, "Rotation"](#).

## Removal and Installation of Brake Caliper and Disc Rotor

EFS0040O

### REMOVAL

1. Remove tires from vehicle using power tool.
2. Drain brake fluid as necessary. Refer to [BR-11, "Drain and Refill"](#).

#### NOTE:

Do not remove union bolt unless removing cylinder body from vehicle.

3. Remove union bolt as necessary and torque member bolts, then remove cylinder body.

#### NOTE:

Position cylinder body aside using suitable wire, as necessary.

#### NOTE:

When servicing cylinder body, remove sliding pin bolts and caliper from torque member.

4. Remove disc rotor.

# FRONT DISC BRAKE

## INSTALLATION

### CAUTION:

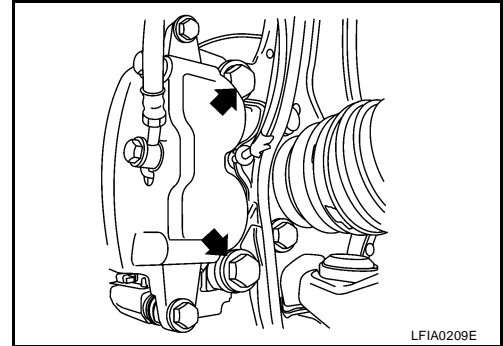
- Refill with new brake fluid. Refer to [MA-11, "RECOMMENDED FLUIDS AND LUBRICANTS"](#) .
- Do not reuse drained brake fluid.

1. Install disc rotor.
2. Install sliding pin bolts if removed and tighten to specified torque. Refer to [BR-24, "Components"](#) .
3. Install cylinder body to the vehicle, then tighten the torque member bolts to the specified torque. Refer to [BR-24, "Components"](#) .

### CAUTION:

- When attaching cylinder body to the vehicle, wipe any oil off knuckle spindle, washers and cylinder body attachment surfaces.

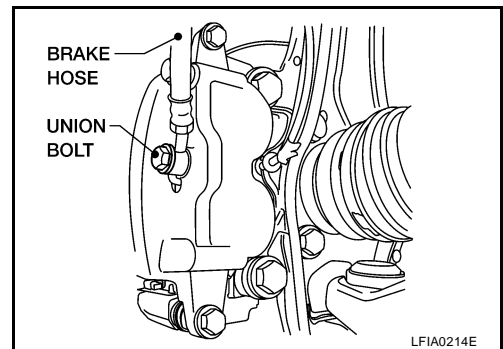
- Do not reuse caliper torque member bolts.



4. Install brake hose to cylinder body, then tighten union bolt to specification. Refer to [BR-24, "Components"](#) .

### CAUTION:

- Do not reuse copper washers for union bolt.
- Attach brake hose to cylinder body together with union bolt and washers.



5. Refill new brake fluid and bleed air. Refer to [BR-12, "Bleeding Brake System"](#) .
6. Attach tires to the vehicle. Refer to [WT-8, "Rotation"](#) .

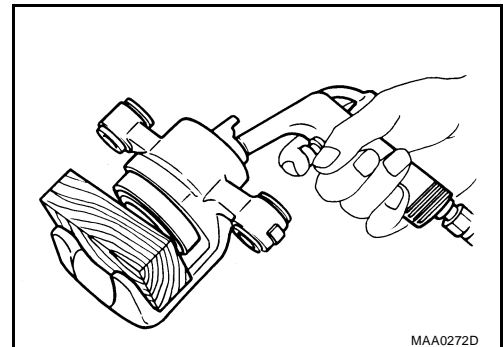
## Disassembly and Assembly of Brake Caliper

EFS0040P

- ### DISASSEMBLY
1. Remove sliding pin bolt, and then remove the pad, shim, shim cover, and pad retainer from the torque member.
  2. Remove sliding pins and sliding pin boots from torque member.
  3. Place a wooden block as shown, and blow air from union bolt mounting hole to remove pistons and piston boots.

### CAUTION:

- Do not get your fingers caught in piston.

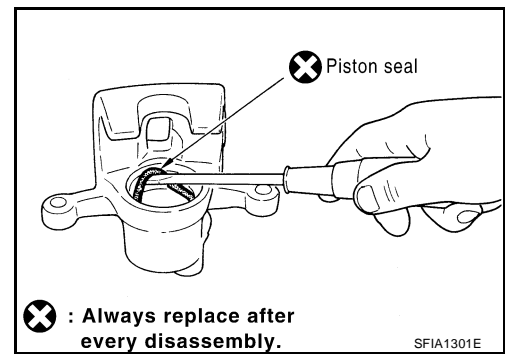


# FRONT DISC BRAKE

- Using a flat-bladed screwdriver, remove piston seal from cylinder body.

**CAUTION:**

Be careful not to damage cylinder inner wall.



## CALIPER INSPECTION

### Cylinder Body

**CAUTION:**

- Use new brake fluid for cleaning. Do not use mineral oils such as gasoline or kerosene. Refer to [MA-11, "RECOMMENDED FLUIDS AND LUBRICANTS"](#).
- Check inside surface of cylinder for score, rust, wear, damage or foreign materials. If any of the above conditions are observed, replace cylinder body.
- Minor damage from rust or foreign materials may be eliminated by polishing surface with a fine emery paper. Replace cylinder body if necessary.

### Torque Member

Check for wear, cracks, and damage. If damage or deformation is present, replace the affected part.

### Piston

Check piston for score, rust, wear, damage or presence of foreign materials. Replace if any of the above conditions are observed.

**CAUTION:**

Piston sliding surface is plated, do not polish with emery paper even if rust or foreign materials are stuck to sliding surface.

### Sliding Pins, and Sliding Pin Boots

Check sliding pin and sliding pin boot for wear, damage, and cracks. If damage or deformation is present, replace the affected part.

**CAUTION:**

Trailing/upper sliding pin must be replaced at each service.

## ASSEMBLY

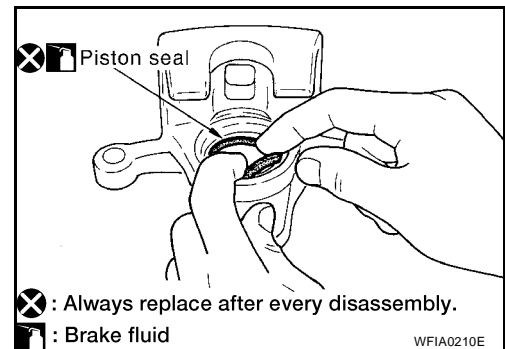
**CAUTION:**

Do not use NISSAN Rubber Grease (KRE00 00010, KRE00 00010 01) when assembling.

- Apply clean brake fluid to new piston seal and insert seal in to groove on cylinder body. Refer to [MA-11, "RECOMMENDED FLUIDS AND LUBRICANTS"](#).

**CAUTION:**

Do not reuse piston seal.

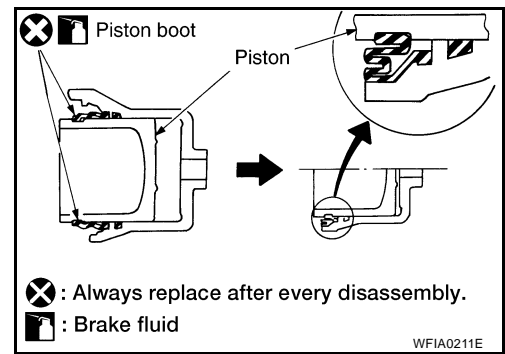


# FRONT DISC BRAKE

2. Apply clean brake fluid to piston and piston boot, then install piston boot in to piston groove.

**CAUTION:**

**Do not reuse piston boot.**



3. Insert into cylinder body by hand and insert piston boot piston-side lip into piston groove.

**CAUTION:**

**Press piston evenly and vary the pressing point to prevent cylinder inner wall from being rubbed.**

4. Install sliding pins and sliding pin boots to torque member.

**CAUTION:**

**Trailing/upper sliding pin must be replaced at each service.**

5. Install cylinder body. Tighten sliding pin bolt to the specified torque. Refer to [BR-24, "Components"](#).

## DISC ROTOR INSPECTION

### Visual Inspection

Check surface of disc rotor for uneven wear, cracks, and serious damage. If any of them is detected, replace applicable part.

### Runout Inspection

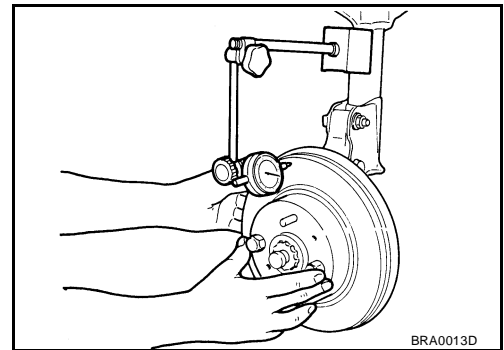
1. Using wheel nuts, install disc rotor to wheel hub at 2 or more positions and tighten wheel nuts temporarily to 40 ft-lb.
2. Inspect runout using a dial gauge. (Measured at 10 mm (0.39 in) inside the disc edge.)

**Runout limit (on vehicle) : 0.03 mm (0.001 in)**

**NOTE:**

Make sure that wheel bearing axial end play is within the specifications before measuring runout. Refer to [FAX-5, "WHEEL BEARING INSPECTION"](#).

3. If runout is outside the limit, find the minimum runout point by shifting mounting positions of disc rotor and wheel hub by one hole.
4. If runout still out of specification, turn rotor with on-car brake lathe.



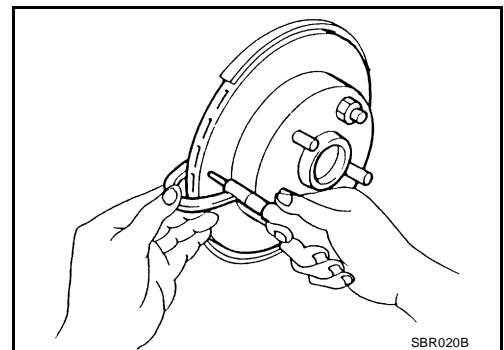
### Thickness Inspection

Using a micrometer, check thickness of disc rotor. If thickness is either at or below the wear limit, or exceeds maximum uneven wear, replace disc rotor.

**Standard thickness : 26.0 mm (1.024 in)**

**Repair limit thickness : 24.5 mm (0.965 in)**

**Maximum uneven wear : 0.015 mm (0.0006 in)  
(Measured at 8 positions)**



## BRAKE BURNISHING PROCEDURE

Burnish brake contact surface according to the following procedure after refinishing or replacing rotors, after replacing pads, or if a soft pedal occurs at very low mileage.

## FRONT DISC BRAKE

---

**CAUTION:**

**Only perform this procedure under safe road and traffic conditions. Use extreme caution.**

1. Drive the vehicle on a straight smooth road at 50 km/h (31 MPH).
2. Use medium brake pedal/foot effort to bring the vehicle to a complete stop from 50 km/h (31 MPH). Adjust brake pedal/foot pressure such that vehicle stopping time equals 3 to 5 seconds.
3. To cool brake system, drive the vehicle at 50 km/h (31 MPH) for 1 minute without stopping.
4. Repeat steps 1 to 3, 10 times or more to complete the burnishing procedure.

A

B

C

D

E

BR

G

H

I

J

K

L

M



# REAR DISC BRAKE

## CAUTION:

- While removing cylinder body, never depress brake pedal because piston will pop out.
- It is not necessary to remove the torque member and disconnect the brake hose except for disassembly or replacement of cylinder body. When replacing brake pads, hang cylinder body with a wire so as not to stretch brake hose.
- Do not damage piston boot.
- Burnish brake contact surface after refinishing or replacing rotors, after replacing pads, or if a soft pedal occurs at very low mileage. Refer to [BR-34, "BRAKE BURNISHING PROCEDURE"](#).

## Removal and Installation of Brake Pad

EFS0040S

### REMOVAL

1. Remove tires from vehicle with power tool.
2. Remove mounting bolt from the top mount.
3. Swing cylinder body open, and remove pads.

### INSTALLATION

1. Push piston in so that pad is firmly attached and mount cylinder body to torque member.

#### NOTE:

Using a commercially available disc brake piston tool, makes it easier to push in the piston.

#### CAUTION:

By pushing in piston, brake fluid returns to master cylinder reservoir tank. Watch the level of the surface of reservoir tank.

2. Apply Molykote M-77 grease to knuckle slide where brake pad contacts.

#### CAUTION:

Do not get grease on the brake rotor friction surface.

3. Install pads to cylinder body.
4. Install top mounting bolt and tighten to specification.
5. Check brake for drag.
6. Install tires to the vehicle. Refer to [WT-8, "Rotation"](#).

## Removal and Installation of Brake Caliper and Disc Rotor

EFS0040T

### REMOVAL

1. Remove tires from vehicle with power tool.
2. Drain brake fluid as necessary. Refer to [BR-11, "Drain and Refill"](#).

#### NOTE:

Do not disconnect brake hose unless removing the cylinder body.

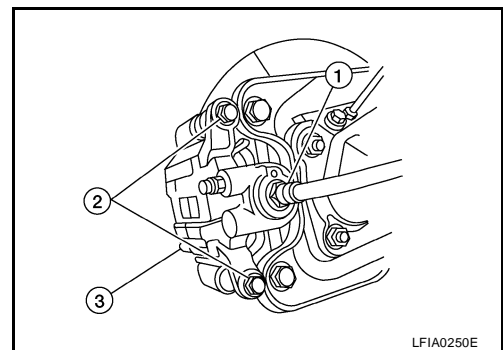
3. Remove bolts (2) as shown, and cylinder body (3).

- (1): Brake hose

#### NOTE:

Position cylinder body aside using suitable wire, as necessary.

4. Remove disc rotor.



### INSTALLATION

#### CAUTION:

- Refill with new brake fluid. Refer to [MA-11, "RECOMMENDED FLUIDS AND LUBRICANTS"](#).
- Do not reuse drained brake fluid.

1. Install disc rotor.
2. Install cylinder body to the vehicle, and tighten bolts to specification. Refer to [BR-30, "Components"](#).

#### CAUTION:

Before installing cylinder body to the vehicle, wipe off mounting surface of cylinder body.

# REAR DISC BRAKE

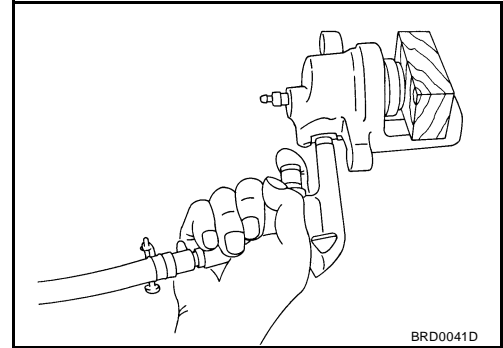
3. Install brake hose to cylinder body with new copper washer and tighten to specification. Refer to [BR-30, "Components"](#) .  
**CAUTION:**
  - Do not reuse copper washer.
  - Securely attach brake hose to protrusion on cylinder body.
4. Refill new brake fluid and bleed air. Refer to [BR-12, "Bleeding Brake System"](#) .
5. Install tires to the vehicle. Refer to [WT-8, "Rotation"](#) .

## Disassembly and Assembly of Brake Caliper

EF50040U

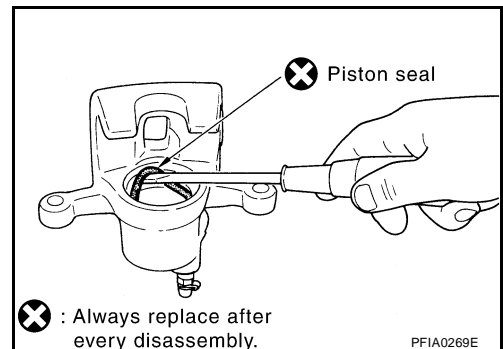
1. Remove pads from cylinder body.
2. Remove sliding sleeve and boot from cylinder body.
3. Place a wooden block as shown, and blow air from union bolt mounting hole to remove piston and piston boot.

**CAUTION:**  
Do not get your fingers caught in piston.



4. Using a flat-bladed screwdriver, remove piston seal from cylinder body.

**CAUTION:**  
Be careful not to damage cylinder inner wall.



## CALIPER INSPECTION

### Cylinder Body

**CAUTION:**

- Use new brake fluid to clean. Do not use mineral oils such as gasoline or kerosene.
- Check inside surface of cylinder for score, rust wear, damage or foreign materials. If any of the above conditions are observed, replace cylinder body.
- Minor damage from rust or foreign materials may be eliminated by polishing surface with a fine emery paper. Replace cylinder body if necessary.

### Torque Member

Check for wear, cracks, and damage. If damage or deformation is present, replace the affected part.

### Piston

**CAUTION:**

- Piston sliding surface is plated, do not polish with emery paper even if rust or foreign materials are stuck to sliding surface.
- Check piston for score, rust, wear, damage or presence of foreign materials. Replace if any of the above conditions are observed.

### Sliding Pin Bolts and Sliding Pin Boots

Make sure there is no wear, damage, or cracks in sliding sleeve and sliding sleeve boots, and if there are, replace them.



# REAR DISC BRAKE

## ASSEMBLY

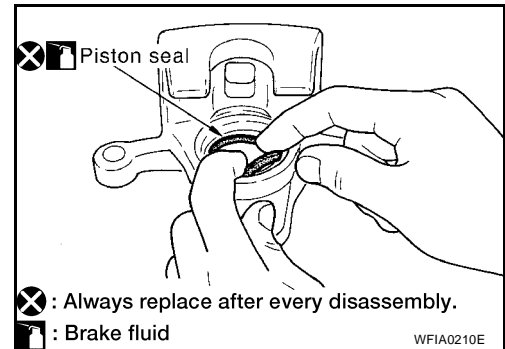
### CAUTION:

Do not use NISSAN Rubber Grease (KRE00 00010, KRE00 00010 01) when assembling.

1. Apply clean brake fluid to new piston seal and insert into groove on cylinder body. Refer to [MA-11, "RECOMMENDED FLUIDS AND LUBRICANTS"](#).

### CAUTION:

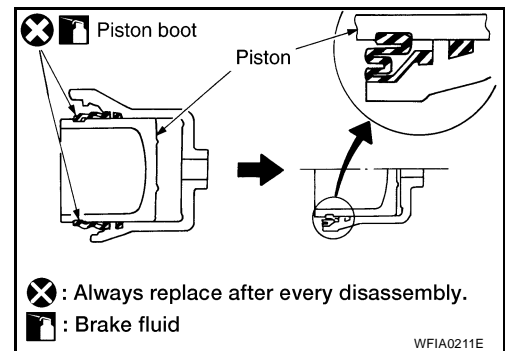
Do not reuse piston seal.



2. Apply brake fluid to piston and to piston boot, then install piston boot in to piston groove.

### CAUTION:

Do not reuse piston boot.



3. Insert piston into cylinder body by hand and insert piston boot piston-side lip into piston groove.

### CAUTION:

Press piston evenly and vary the pressing point to prevent cylinder inner wall from being rubbed.

4. Install sliding boots and sleeves to cylinder body.

## DISC ROTOR INSPECTION

### Visual Inspection

Check surface of disc rotor for uneven wear, cracks, and serious damage. If any non-standard condition is detected, replace applicable part.

### Runout Inspection

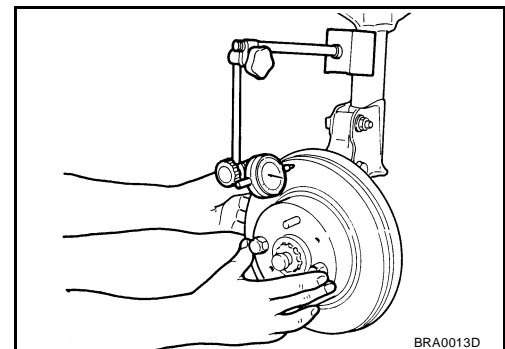
1. Using wheel nuts, install disc rotor to wheel hub at 2 or more positions.
2. Inspect runout using a dial gauge. [Measured at 10 mm (0.39 in) inside disk edge.]

**Runout limit (on vehicle) : 0.07 mm (0.003 in)**

### NOTE:

Make sure that wheel bearing axial end play is within the specification before measuring runout. Refer to [RAX-12, "Axle Bearing"](#).

3. If runout is outside the limit, find the minimum runout point by shifting mounting positions of disc rotor and wheel hub by one hole.
4. If runout still out of specification, turn rotor with on-car brake lathe.

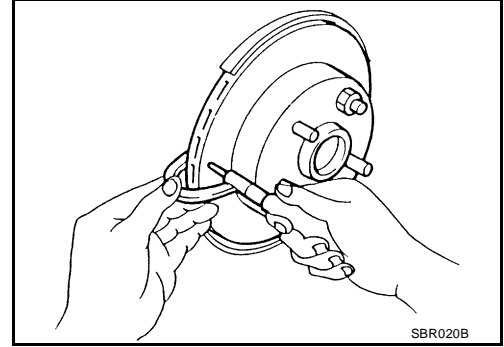


# REAR DISC BRAKE

## Thickness Inspection

Using a micrometer, check thickness of disc rotor. If thickness is either at or below the wear limit, or exceeds maximum uneven wear, replace disc rotor.

<b>Standard thickness</b>	<b>: 14.0 mm (0.551 in)</b>
<b>Wear limit</b>	<b>: 12.0 mm (0.472 in)</b>
<b>Maximum uneven wear (measured at 8 positions)</b>	<b>: 0.015 mm (0.0006 in)</b>



## BRAKE BURNISHING PROCEDURE

Burnish brake contact surface according to the following procedure after refinishing or replacing rotors, after replacing pads, or if a soft pedal occurs at very low mileage.

### **CAUTION:**

**Only perform this procedure under safe road and traffic conditions. Use extreme caution.**

1. Drive the vehicle on a straight smooth road at 50 km/h (31 MPH).
2. Use medium brake pedal/foot effort to bring the vehicle to a complete stop from 50 km/h (31 MPH). Adjust brake pedal/foot pressure such that vehicle stopping time equals 3 to 5 seconds.
3. To cool brake system, drive the vehicle at 50 km/h (31 MPH) for 1 minute without stopping.
4. Repeat steps 1 to 3, 10 times or more to complete the burnishing procedure.

# SERVICE DATA AND SPECIFICATIONS (SDS)

## SERVICE DATA AND SPECIFICATIONS (SDS)

PF0:00030

### General Specifications

EF00040V

Unit: mm (in)

Front brake	Brake model	CLZ31VC
	Rotor outer diameter × thickness	320 × 26 (12.60 × 1.02)
	Pad Length × width × thickness	111.0 × 73.5 × 9.5 (4.73 × 2.894 × 0.374)
	Cylinder bore diameter	51 (2.01)
Rear brake	Brake model	AD14VE
	Rotor outer diameter × thickness	320 × 14 (12.60 × 0.55)
	Pad Length × width × thickness	83.0 × 33.0 × 8.5 (3.268 × 1.299 × 0.335)
	Cylinder bore diameter	48 (1.89)
Control valve	Valve model	Electric brake force distribution
Brake booster	Booster model	C215T
	Diaphragm diameter	215 (8.46)
Recommended brake fluid		Refer to <a href="#">MA-11, "RECOMMENDED FLUIDS AND LUBRICANTS"</a> .

### Brake Pedal

EF00040W

Brake pedal height (from dash panel top surface)	182.3 – 192.3 mm (7.18 – 7.57 in)
Depressed pedal height [under a force of 490 N (50 kg, 110 lb) with engine running]	More than 90.3 mm (3.55 in)
Clearance between stopper rubber and the threaded end of stop lamp switch and ASCD cancel switch	0.74 – 1.96 mm (0.029 – 0.077 in)
Pedal play	3 – 11 mm (0.12 – 0.43 in)

### Brake Booster

EF00040X

Output rod installation standard dimension	15.6 – 15.9 mm (0.614 – 0.626 in)
--	-----------------------------------

### Check Valve

EF00040Y

Vacuum leakage [at vacuum of – 66.7 kPa(– 500 mmHg, – 19.69 inHg)]	Within 1.3 kPa (10 mmHg, 0.39 inHg) of vacuum for 15 seconds
--	--

### Front Disc Brake

EF00040Z

Brake model	CLZ31VC	
Brake pad	Standard thickness (new)	11.88 mm (0.468 in)
	Repair limit thickness	1.0 mm (0.039 in)
Disc rotor	Standard thickness (new)	26.0 mm (1.024 in)
	Repair limit thickness	24.5 mm (0.965 in)
	Maximum uneven wear (measured at 8 positions)	0.015mm (0.0006 in)
	Runout limit (with it attached to the vehicle)	0.03 mm (0.001 in)

# SERVICE DATA AND SPECIFICATIONS (SDS)

## Rear Disc Brake

EFS004P0

Brake model		AD14VE
Brake pad	Standard thickness (new)	12.13 mm (0.478 in)
	Repair limit thickness	1.0 mm (0.039 in)
Disc rotor	Standard thickness (new)	14.0 mm (0.551 in)
	Repair limit thickness	12.0 mm (0.472 in)
	Maximum uneven wear (measured at 8 positions)	0.015 mm (0.0006 in)
	Runout limit (with it attached to the vehicle)	0.07 mm (0.003 in)