

SECTION **MIR**  
MIRRORS

A  
B  
C  
D  
E  
F  
G  
H  
I  
J  
K  
M  
N  
O  
P

CONTENTS

<b>COMPONENT DIAGNOSIS</b> .....	2	<b>PREPARATION</b> .....	12
<b>DOOR MIRROR</b> .....	2	Special Service Tool .....	12
Wiring Diagram — Door Mirror — Adjustment System .....	2	Commercial Service Tool .....	12
Wiring Diagram — Door Mirror — Power Fold System .....	5	<b>REMOVAL AND INSTALLATION</b> .....	13
<b>INSIDE MIRROR</b> .....	8	<b>INSIDE MIRROR</b> .....	13
Wiring Diagram .....	8	Removal and Installation .....	13
<b>PRECAUTION</b> .....	11	<b>DOOR MIRROR</b> .....	14
<b>PRECAUTIONS</b> .....	11	Door Mirror Assembly .....	14
Precaution for Supplemental Restraint System (SRS) "AIR BAG" and "SEAT BELT PRE-TENSIONER" .....	11	Door Mirror Glass .....	16
Handling for Adhesive and Primer .....	11	<b>DISASSEMBLY AND ASSEMBLY</b> .....	18
<b>PREPARATION</b> .....	12	<b>DOOR MIRROR</b> .....	18
		Exploded View .....	18
		Mirror Actuator .....	18
		<b>DOOR MIRROR COVER</b> .....	19
		DOOR MIRROR COVER : Disassembly .....	19
		DOOR MIRROR COVER : Assembly .....	19

**MIR**

# DOOR MIRROR

< COMPONENT DIAGNOSIS >

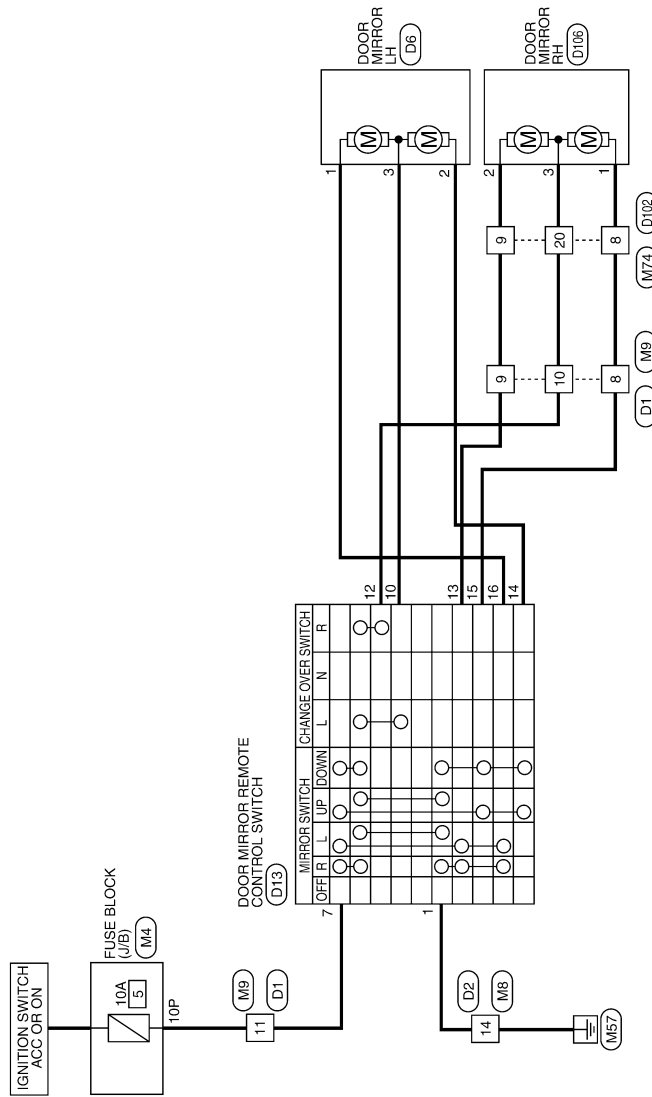
## COMPONENT DIAGNOSIS

### DOOR MIRROR

#### Wiring Diagram — Door Mirror — Adjustment System

INFOID:000000005386508

DOOR MIRROR - WITHOUT POWER FOLD SYSTEM



ABLWA0424GB

# DOOR MIRROR

## < COMPONENT DIAGNOSIS >

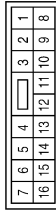
### DOOR MIRROR CONNECTORS - WITHOUT POWER FOLD SYSTEM

Connector No.	M4
Connector Name	FUSE BLOCK (J/B)
Connector Color	WHITE



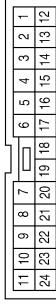
Terminal No.	Color of Wire	Signal Name
10P	O	-

Connector No.	M8
Connector Name	WIRE TO WIRE
Connector Color	WHITE



Terminal No.	Color of Wire	Signal Name
14	B	-

Connector No.	M9
Connector Name	WIRE TO WIRE
Connector Color	BROWN



Terminal No.	Color of Wire	Signal Name
8	SB	-
9	Y/B	-
10	V/W	-
11	GR	-

Connector No.	M74
Connector Name	WIRE TO WIRE
Connector Color	BROWN



Terminal No.	Color of Wire	Signal Name
8	SB	-
9	Y/B	-
20	V/W	-

Connector No.	D1
Connector Name	WIRE TO WIRE
Connector Color	BROWN



Terminal No.	Color of Wire	Signal Name
8	SB	-
9	Y/B	-
10	V/W	-
11	G/R	-

Connector No.	D2
Connector Name	WIRE TO WIRE
Connector Color	WHITE

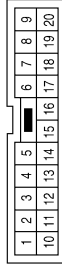


Terminal No.	Color of Wire	Signal Name
14	B	-

# DOOR MIRROR

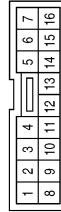
## < COMPONENT DIAGNOSIS >

Connector No.	D102
Connector Name	WIRE TO WIRE
Connector Color	BROWN



Terminal No.	Color of Wire	Signal Name
8	SB	-
9	Y/B	-
20	V/W	-

Connector No.	D13
Connector Name	DOOR MIRROR REMOTE CONTROL SWITCH (WITHOUT AUTOMATIC DRIVE POSITIONER)
Connector Color	WHITE



Terminal No.	Color of Wire	Signal Name
1	B	-
7	G/R	-
10	P	-
12	V/W	-
13	Y/B	-
14	Y/R	-
15	SB	-
16	L/R	-

Connector No.	D6
Connector Name	DOOR MIRROR LH (WITHOUT AUTOMATIC DRIVE POSITIONER)
Connector Color	WHITE



Terminal No.	Color of Wire	Signal Name
1	L/R	-
2	Y/R	-
3	P	-

Connector No.	D106
Connector Name	DOOR MIRROR RH (WITHOUT AUTOMATIC DRIVE POSITIONER)
Connector Color	WHITE



Terminal No.	Color of Wire	Signal Name
1	SB	-
2	Y/B	-
3	V/W	-

ABLIA0275GB

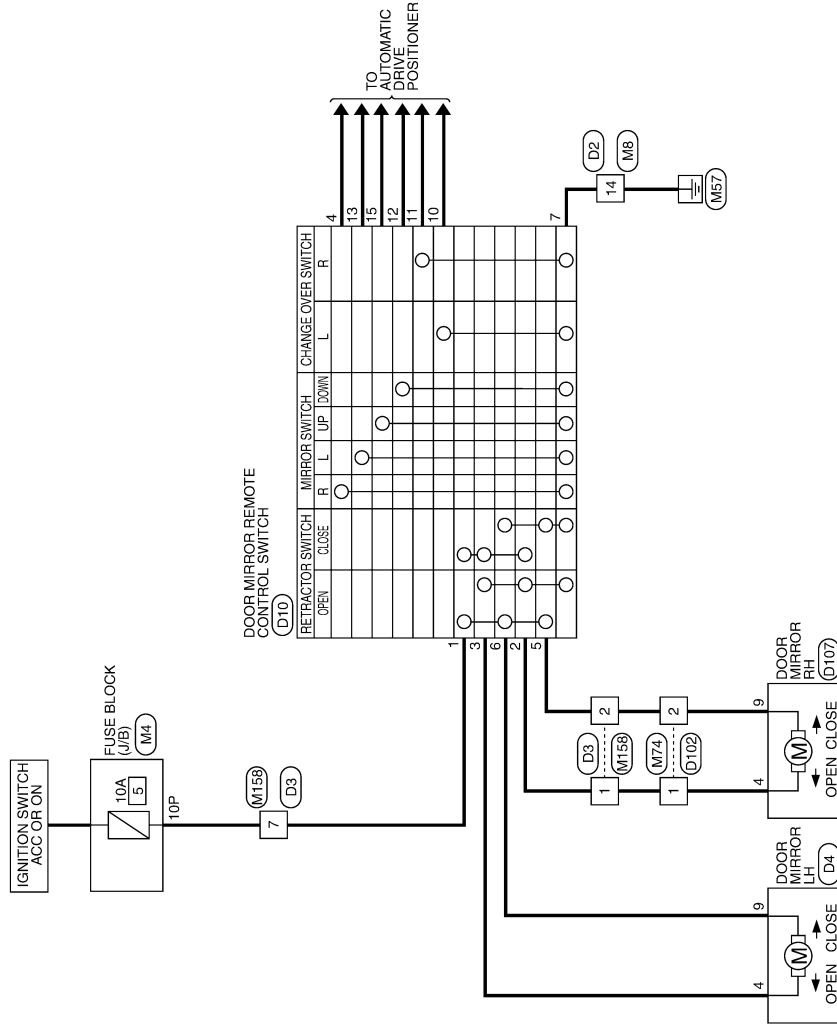
# DOOR MIRROR

< COMPONENT DIAGNOSIS >

## Wiring Diagram — Door Mirror — Power Fold System

INFOID:000000005386509

### DOOR MIRROR - POWER FOLD SYSTEM



A  
B  
C  
D  
E  
F  
G  
H  
I  
J  
K  
L  
M  
N  
O  
P

MIR

ALLWA0106GB

# DOOR MIRROR

## < COMPONENT DIAGNOSIS >

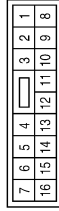
### DOOR MIRROR CONNECTORS - POWER FOLD SYSTEM

Connector No.	M4
Connector Name	FUSE BLOCK (J/B)
Connector Color	WHITE



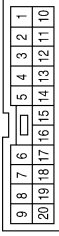
Terminal No.	10P	Color of Wire	O	Signal Name	-
--------------	-----	---------------	---	-------------	---

Connector No.	M8
Connector Name	WIRE TO WIRE
Connector Color	WHITE



Terminal No.	14	Color of Wire	B	Signal Name	-
--------------	----	---------------	---	-------------	---

Connector No.	M74
Connector Name	WIRE TO WIRE
Connector Color	BROWN



Terminal No.	1	Color of Wire	Y/L	Signal Name	-
Terminal No.	2	Color of Wire	R	Signal Name	-

Connector No.	M158
Connector Name	WIRE TO WIRE
Connector Color	WHITE



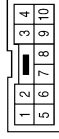
Terminal No.	1	Color of Wire	Y/L	Signal Name	-
Terminal No.	2	Color of Wire	R	Signal Name	-
Terminal No.	7	Color of Wire	O	Signal Name	-

Connector No.	D2
Connector Name	WIRE TO WIRE
Connector Color	WHITE



Terminal No.	14	Color of Wire	B	Signal Name	-
--------------	----	---------------	---	-------------	---

Connector No.	D3
Connector Name	WIRE TO WIRE
Connector Color	WHITE



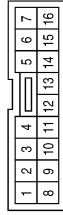
Terminal No.	1	Color of Wire	Y/L	Signal Name	-
Terminal No.	2	Color of Wire	R	Signal Name	-
Terminal No.	7	Color of Wire	O	Signal Name	-

# DOOR MIRROR

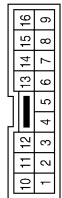
## < COMPONENT DIAGNOSIS >

Terminal No.	Color of Wire	Signal Name
1	O	-
2	Y/L	-
3	L	-
4	GR	-
5	R	-
6	G	-
7	B	-
10	BR/W	-
11	LG	-
12	SB	-
13	V/W	-
15	Y/B	-

Connector No.	D10
Connector Name	DOOR MIRROR REMOTE CONTROL SWITCH (WITH AUTOMATIC DRIVE POSITIONER)
Connector Color	BROWN

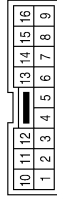


Connector No.	D4
Connector Name	DOOR MIRROR LH (WITH AUTOMATIC DRIVE POSITIONER)
Connector Color	WHITE

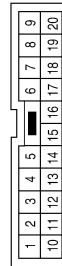


Terminal No.	Color of Wire	Signal Name
4	L	-
9	G	-

Connector No.	D107
Connector Name	DOOR MIRROR RH (WITH AUTOMATIC DRIVE POSITIONER)
Connector Color	WHITE



Connector No.	D102
Connector Name	WIRE TO WIRE
Connector Color	BROWN



Terminal No.	Color of Wire	Signal Name
1	Y/L	-
2	R	-

Terminal No.	Color of Wire	Signal Name
4	Y/L	-
9	R	-

AALIA0090GB

A  
B  
C  
D  
E  
F  
G  
H  
I  
J  
K  
M  
N  
O  
P

MIR

# INSIDE MIRROR

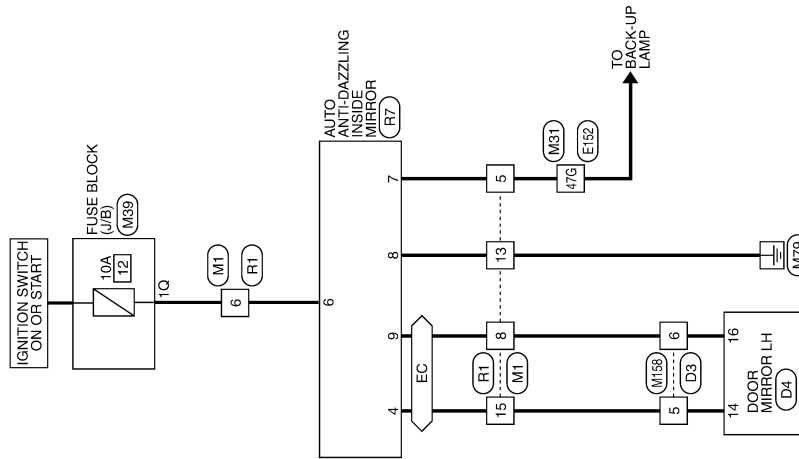
< COMPONENT DIAGNOSIS >

## INSIDE MIRROR

### Wiring Diagram

INFOID:000000005386510

EC : WITH AUTO DIMMING OUTSIDE MIRRORS



INSIDE MIRROR

ABLWA0040GB

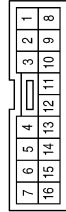


# INSIDE MIRROR

< COMPONENT DIAGNOSIS >

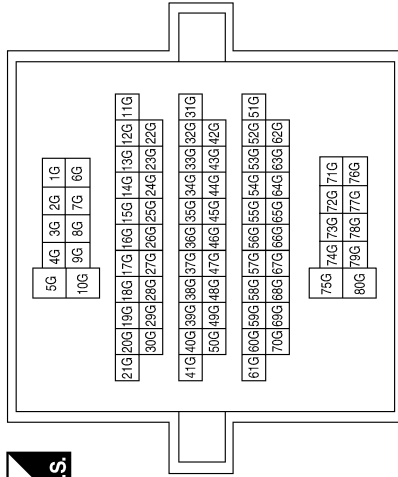
## INSIDE MIRROR CONNECTORS

Connector No.	M1
Connector Name	WIRE TO WIRE
Connector Color	WHITE



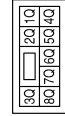
Terminal No.	Color of Wire	Signal Name
5	G/W	-
6	G/R	-
8	Y/V	-
13	B	-
15	LG/B	-

Connector No.	M31
Connector Name	WIRE TO WIRE
Connector Color	WHITE



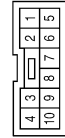
Terminal No.	47G	Color of Wire	G/W	Signal Name	-
--------------	-----	---------------	-----	-------------	---

Connector No.	M39
Connector Name	FUSE BLOCK (J/B)
Connector Color	WHITE



Terminal No.	1Q	Color of Wire	G/R	Signal Name	-
--------------	----	---------------	-----	-------------	---

Connector No.	M158
Connector Name	WIRE TO WIRE
Connector Color	WHITE



Terminal No.	5	Color of Wire	LG/B	Signal Name	-
6	Y/V	Y/V	-	-	-

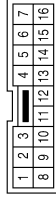
A  
B  
C  
D  
E  
F  
G  
H  
I  
J  
K  
M  
N  
O  
P

MIR

# INSIDE MIRROR

## < COMPONENT DIAGNOSIS >

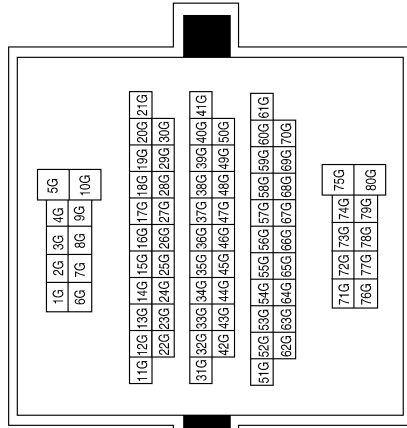
Connector No.	R1
Connector Name	WIRE TO WIRE
Connector Color	WHITE



Terminal No.	Color of Wire	Signal Name
5	G/W	-
6	G/R	-
8	Y/V	-
13	B	-
15	LG/B	-

Terminal No.	Color of Wire	Signal Name
47G	G/W	-

Connector No.	E152
Connector Name	WIRE TO WIRE
Connector Color	WHITE



Connector No.	D4
Connector Name	DOOR MIRROR LH (WITH AUTOMATIC DRIVE POSITIONER)
Connector Color	WHITE



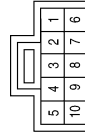
Terminal No.	Color of Wire	Signal Name
14	LG/B	EC FEED
16	Y/V	EC RETURN

Connector No.	D3
Connector Name	WIRE TO WIRE
Connector Color	WHITE



Terminal No.	Color of Wire	Signal Name
5	LG/B	-
6	Y/V	-

Connector No.	R7
Connector Name	AUTO ANTI-DAZZLING INSIDE MIRROR
Connector Color	GRAY



Terminal No.	Color of Wire	Signal Name
4	LG/B	-
6	G/R	IGN
7	G/W	REV
8	B	GND
9	Y/V	-

ABLIA1915GB

# PRECAUTIONS

< PRECAUTION >

## PRECAUTION

### PRECAUTIONS

#### Precaution for Supplemental Restraint System (SRS) "AIR BAG" and "SEAT BELT PRE-TENSIONER"

INFOID:000000005713777

The Supplemental Restraint System such as "AIR BAG" and "SEAT BELT PRE-TENSIONER", used along with a front seat belt, helps to reduce the risk or severity of injury to the driver and front passenger for certain types of collision. This system includes seat belt switch inputs and dual stage front air bag modules. The SRS system uses the seat belt switches to determine the front air bag deployment, and may only deploy one front air bag, depending on the severity of a collision and whether the front occupants are belted or unbelted. Information necessary to service the system safely is included in the SR and SB section of this Service Manual.

#### **WARNING:**

- To avoid rendering the SRS inoperative, which could increase the risk of personal injury or death in the event of a collision which would result in air bag inflation, all maintenance must be performed by an authorized NISSAN/INFINITI dealer.
- Improper maintenance, including incorrect removal and installation of the SRS, can lead to personal injury caused by unintentional activation of the system. For removal of Spiral Cable and Air Bag Module, see the SR section.
- Do not use electrical test equipment on any circuit related to the SRS unless instructed to in this Service Manual. SRS wiring harnesses can be identified by yellow and/or orange harnesses or harness connectors.

#### PRECAUTIONS WHEN USING POWER TOOLS (AIR OR ELECTRIC) AND HAMMERS

#### **WARNING:**

- When working near the Airbag Diagnosis Sensor Unit or other Airbag System sensors with the Ignition ON or engine running, DO NOT use air or electric power tools or strike near the sensor(s) with a hammer. Heavy vibration could activate the sensor(s) and deploy the air bag(s), possibly causing serious injury.
- When using air or electric power tools or hammers, always switch the Ignition OFF, disconnect the battery, and wait at least 3 minutes before performing any service.

#### Handling for Adhesive and Primer

INFOID:000000005386512

- Do not use an adhesive which is past its usable date. Shelf life of this product is limited to six months after the date of manufacture. Carefully adhere to the expiration or manufacture date printed on the box.
- Keep primers and adhesive in a cool, dry place. Ideally, they should be stored in a refrigerator.
- Open the seal of the primer and adhesive just before application. Discard the remainder.
- Before application, be sure to shake the primer container to stir the contents. If any floating material is found, do not use it.
- If any primer or adhesive contacts the skin, wipe it off with gasoline or equivalent and wash the skin with soap.
- When using primer and adhesive, always observe the precautions in the instruction manual.

A  
B  
C  
D  
E  
F  
G  
H  
I  
J  
K  
M  
N  
O  
P

MIR

# PREPARATION

< PREPARATION >

## PREPARATION

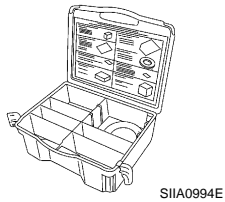
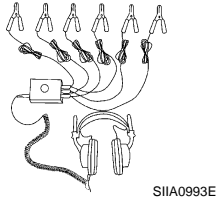
### PREPARATION

#### Special Service Tool

INFOID:000000005386513

The actual shapes of Kent-Moore tools may differ from those of special service tools illustrated here.

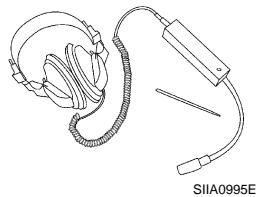
Tool number (Kent-Moore No.) Tool name	Description
— (J-39570) Chassis ear	Locating the noise
— (J-43980) NISSAN Squeak and Rattle Kit	Repairing the cause of noise



#### Commercial Service Tool

INFOID:000000005386514

(Kent-Moore No.) Tool name	Description
(J-39565) Engine ear	Locating the noise



# INSIDE MIRROR

< REMOVAL AND INSTALLATION >

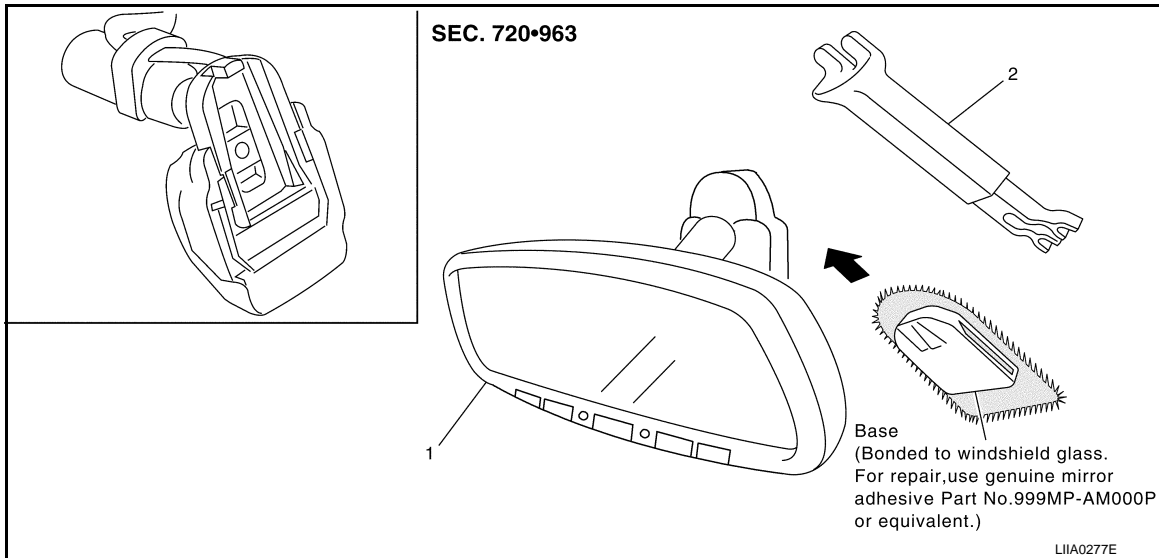
## REMOVAL AND INSTALLATION

### INSIDE MIRROR

#### Removal and Installation

INFOID:000000005386515

1. Remove inside mirror screw and finisher.
2. Slide the mirror upward to remove.
3. Disconnect the connector.



1. Inside mirror
2. Inside mirror finisher

Installation is in the reverse order of removal.

A  
B  
C  
D  
E  
F  
G  
H  
I  
J  
K  
L  
M  
N  
O  
P

MIR

# DOOR MIRROR

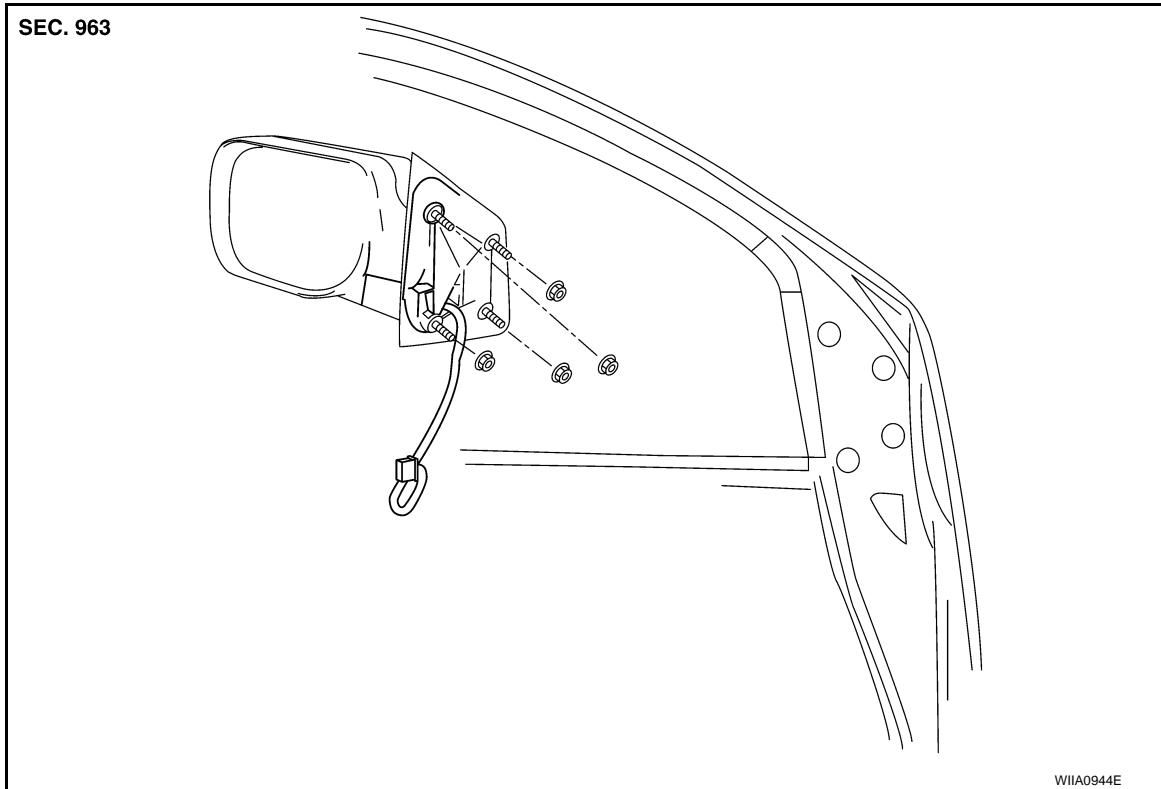
< REMOVAL AND INSTALLATION >

## DOOR MIRROR

### Door Mirror Assembly

INFOID:000000005386516

### STANDARD MIRROR



#### Removal

1. Remove the door finisher. Refer to [INT-10. "Removal and Installation"](#)
2. Remove the mirror cover and nuts.
3. Disconnect the electrical connector and remove the door mirror assembly.

#### Installation

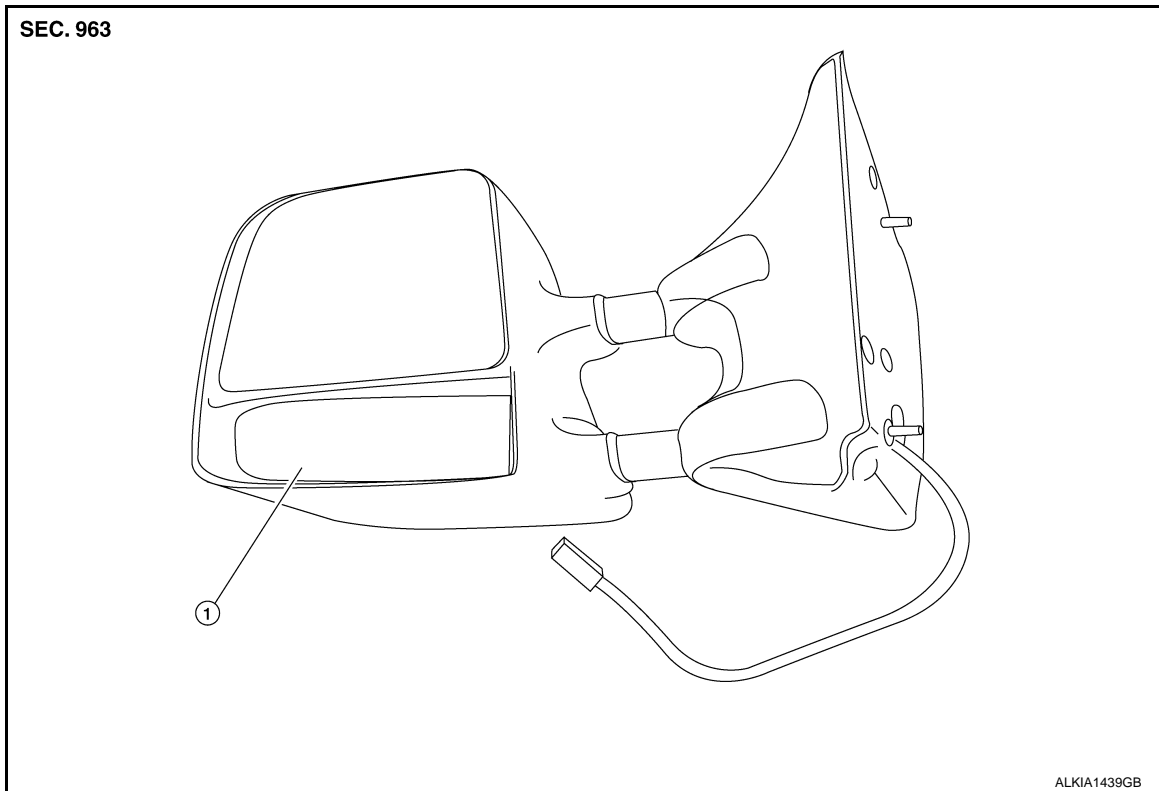
Installation is in the reverse order of removal.

### TRAILER TOW MIRROR

#### Removal

# DOOR MIRROR

## < REMOVAL AND INSTALLATION >



1. Spotter mirror (permanently mounted)

### **CAUTION:**

**The spotter mirror is permanently mounted and non-serviceable. Any attempt at removal will cause damage to the assembly.**

#### Removal

1. Remove the door finisher. Refer to [INT-10. "Removal and Installation"](#)
2. Remove the mirror cover, bolts and nut.
3. Disconnect the electrical connector and remove the door mirror assembly.

#### Installation

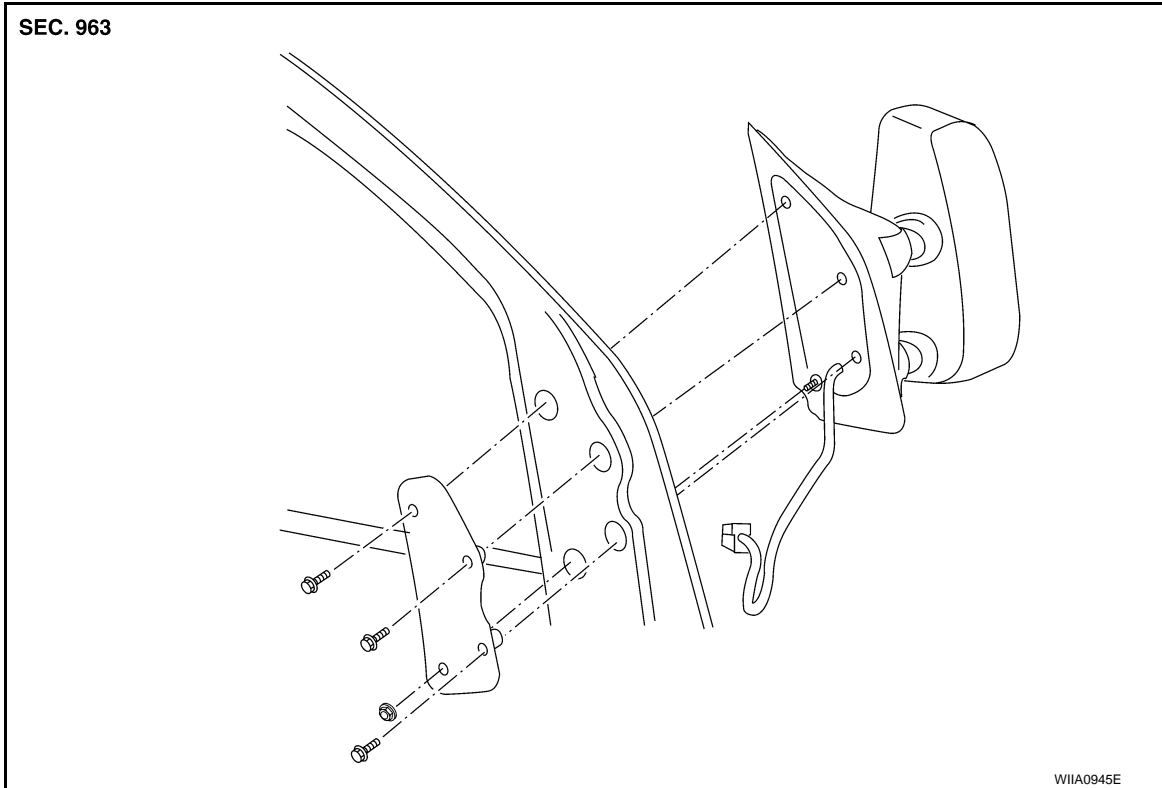
A  
B  
C  
D  
E  
F  
G  
H  
I  
J  
K  
M  
N  
O  
P

MIR

# DOOR MIRROR

## < REMOVAL AND INSTALLATION >

Installation is in the reverse order of removal.



### Removal

1. Remove the door finisher. Refer to [INT-10, "Removal and Installation"](#)
2. Remove the mirror cover, bolts and nut.
3. Disconnect the electrical connector and remove the door mirror assembly.

### Installation

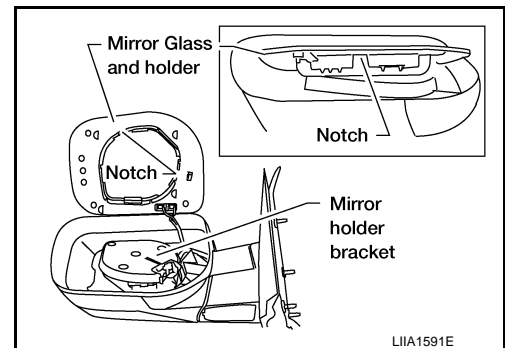
Installation is in the reverse order of removal.

## Door Mirror Glass

INFOID:000000005386517

### REMOVAL

1. Set mirror assembly mirror glass upward.
2. Apply protective tape to mirror housing.
3. Insert a suitable tool at notch and gently pry mirror glass and holder from mirror holder bracket.
4. Disconnect two electrical connectors from mirror glass and holder.



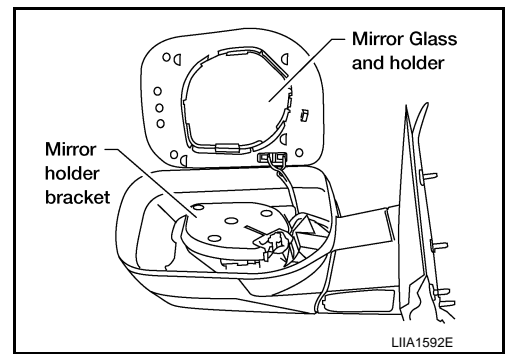
### INSTALLATION



## DOOR MIRROR

### < REMOVAL AND INSTALLATION >

1. Set mirror holder bracket and mirror glass and holder in the horizontal position.
2. Connect the two connectors to the back of the mirror holder.
3. Align mirror glass and holder with mirror holder bracket and push mirror glass and holder onto mirror holder bracket.
4. Rotate mirror to ensure proper installation.



A

B

C

D

E

F

G

H

I

J

K

MIR

M

N

O

P

# DOOR MIRROR

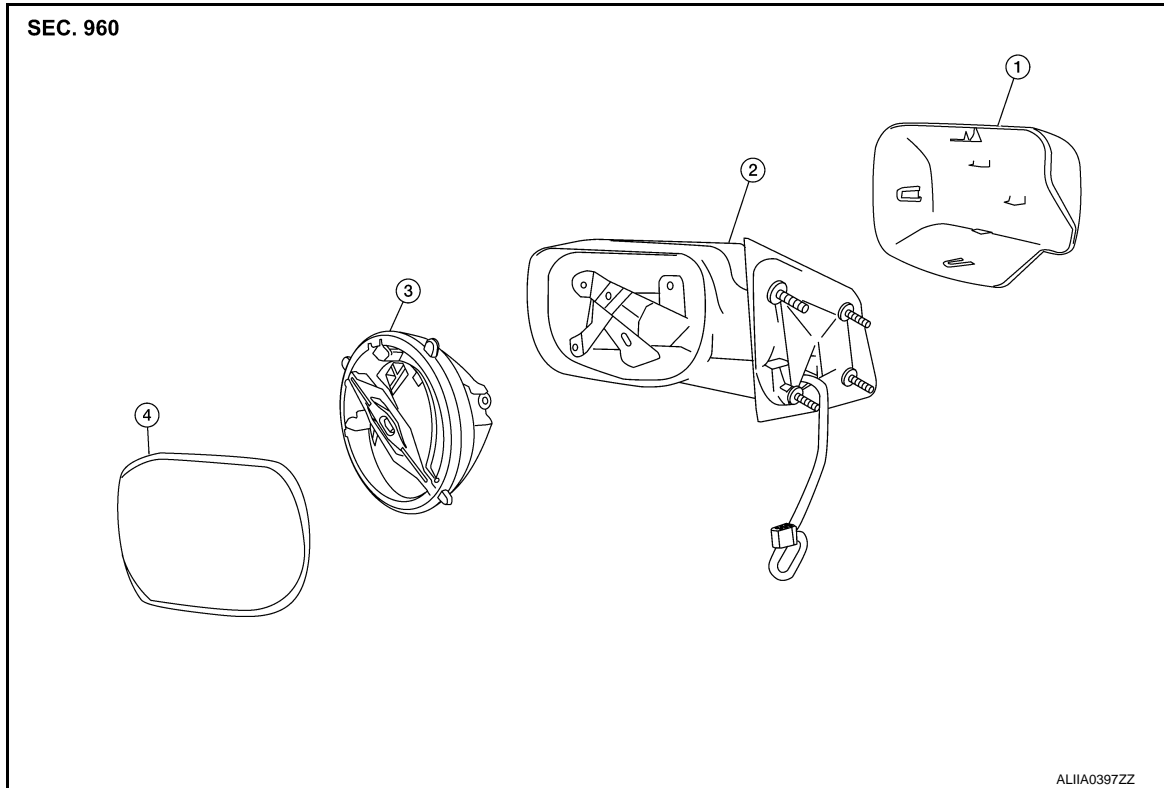
< DISASSEMBLY AND ASSEMBLY >

## DISASSEMBLY AND ASSEMBLY

### DOOR MIRROR

Exploded View

INFOID:000000005713778



- 1. Door mirror cover
- 4. Mirror glass

- 2. Mirror housing assembly

- 3. Mirror actuator

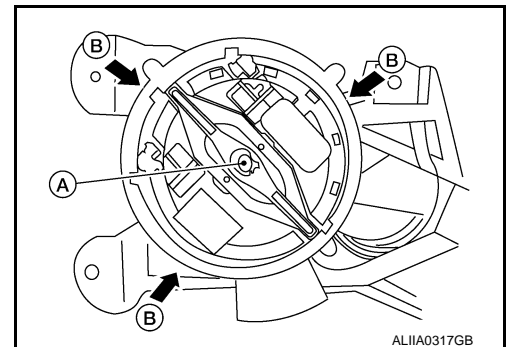
### Mirror Actuator

INFOID:000000005713779

#### DISASSEMBLY AND ASSEMBLY

##### Disassembly

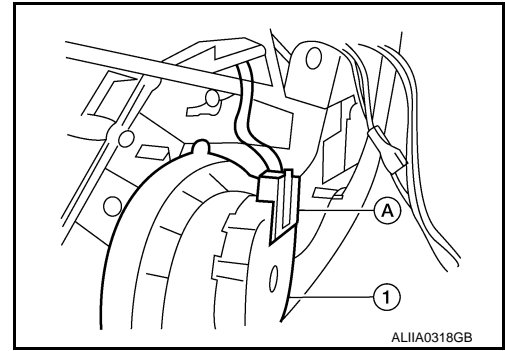
1. Remove the mirror glass. Refer to [MIR-16, "Door Mirror Glass"](#).
2. Remove the center screw (A) and release the actuator hooks from housing (B).



# DOOR MIRROR

## < DISASSEMBLY AND ASSEMBLY >

3. Disconnect the connector (A) and remove the actuator (1).



### Assembly

Assembly is the reverse order of disassembly.

## DOOR MIRROR COVER

### DOOR MIRROR COVER : Disassembly

INFOID:000000005713780

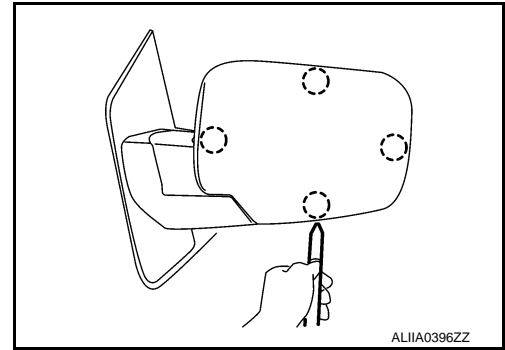
1. Using a suitable tool disengage the mirror cover pawls.



Pawl

### CAUTION:

Be careful not to damage the mirror or mirror cover with tool.



### DOOR MIRROR COVER : Assembly

INFOID:000000005713781

Installation is in the reverse order of removal.

### CAUTION:

After installation, check that pawls are securely engaged.

A  
B  
C  
D  
E  
F  
G  
H  
I  
J  
K  
M  
N  
O  
P

MIR