

SECTION **GI**

GENERAL INFORMATION

B
C
D
E
F
G
H
I
J
K
L
M
N
O
P

CONTENTS

HOW TO USE THIS MANUAL	3	Dimensions	26
HOW TO USE THIS MANUAL	3	Wheels & Tires	27
Description	3	PRECAUTION	28
Terms	3	PRECAUTIONS	28
Units	3	Description	28
Contents	3	Precaution for Supplemental Restraint System (SRS) "AIR BAG" and "SEAT BELT PRE-TENSIONER"	28
Relation between Illustrations and Descriptions	4	Procedures without Cowl Top Cover	28
Components	4	General Precautions	29
HOW TO FOLLOW TROUBLE DIAGNOSES	6	Three Way Catalyst	30
Description	6	Precaution for Fuel (Unleaded Regular Gasoline Recommended)	30
How to Follow Test Groups in Trouble Diagnosis	6	Multiport Fuel Injection System or Engine Control System	31
Key to Symbols Signifying Measurements or Procedures	7	Hoses	31
HOW TO READ WIRING DIAGRAMS	9	Engine Oils	32
Connector symbols	9	Air Conditioning	32
Sample/wiring diagram -example-	10	LIFTING POINT	33
Description	11	Pantograph Jack	33
ABBREVIATIONS	13	Garage Jack and Safety Stand	33
Abbreviation List	13	2-Pole Lift	33
TIGHTENING TORQUE OF STANDARD BOLTS	14	TOW TRUCK TOWING	35
Description	14	Tow Truck Towing	35
Tightening Torque Table (New Standard Included)	14	Vehicle Recovery (Freeing a stuck vehicle)	36
RECOMMENDED CHEMICAL PRODUCTS AND SEALANTS	17	WIRING DIAGRAM	37
Recommended Chemical Products and Sealants	17	CONSULT CHECKING SYSTEM	37
TERMINOLOGY	18	Wiring Diagram	37
SAE J1930 Terminology List	18	BASIC INSPECTION	38
FEATURES OF NEW MODEL	22	SERVICE INFORMATION FOR ELECTRICAL INCIDENT	38
IDENTIFICATION INFORMATION	22	Work Flow	38
Model Variation	22	Control Units and Electrical Parts	38
Identification Number	24	How to Check Terminal	39

Intermittent Incident	42	Description	50
Circuit Inspection	45	Function and System Application	50
CONSULT CHECKING SYSTEM	50	CONSULT Data Link Connector (DLC) Circuit	50

HOW TO USE THIS MANUAL

< HOW TO USE THIS MANUAL >

HOW TO USE THIS MANUAL

HOW TO USE THIS MANUAL

GI

Description

INFOID:000000007949305

This volume explains "Removal, Disassembly, Installation, Inspection and Adjustment" and "Trouble Diagnoses".

Terms

INFOID:000000007949306

- The captions **WARNING** and **CAUTION** warn you of steps that must be followed to prevent personal injury and/or damage to some part of the vehicle.

WARNING indicates the possibility of personal injury if instructions are not followed.

CAUTION indicates the possibility of component damage if instructions are not followed.

BOLD TYPED STATEMENTS except **WARNING** and **CAUTION** give you helpful information.

Standard value: Tolerance at inspection and adjustment.

Limit value: The maximum or minimum limit value that should not be exceeded at inspection and adjustment.

Units

INFOID:000000007949307

- The **UNITS** given in this manual are primarily expressed as the SI UNIT (International System of Unit), and alternatively expressed in the metric system and in the yard/pound system. Also with regard to tightening torque of bolts and nuts, there are descriptions both about range and about the standard tightening torque.

"Example"

Range

Outer Socket Lock Nut : 59 - 78 N·m (6.0 - 8.0 kg·m, 43 - 58 ft·lb)

Standard

Drive Shaft Installation Bolt : 44.3 N·m (4.5 kg·m, 33 ft·lb)

Contents

INFOID:000000007949308

- A QUICK REFERENCE INDEX**, a black tab (e.g. **BR**) is provided on the first page. You can quickly find the first page of each section by matching it to the section's black tab.
- THE CONTENTS** are listed on the first page of each section.
- THE TITLE** is indicated on the upper portion of each page and shows the part or system.
- THE PAGE NUMBER** of each section consists of two or three letters which designate the particular section and a number (e.g. "BR-5").
- THE SMALL ILLUSTRATIONS** show the important steps such as inspection, use of special tools, knacks of work and hidden or tricky steps which are not shown in the previous large illustrations. Assembly, inspection and adjustment procedures for the complicated units such as the automatic transaxle or transmission, etc. are presented in a step-by-step format where necessary.

HOW TO USE THIS MANUAL

< HOW TO USE THIS MANUAL >

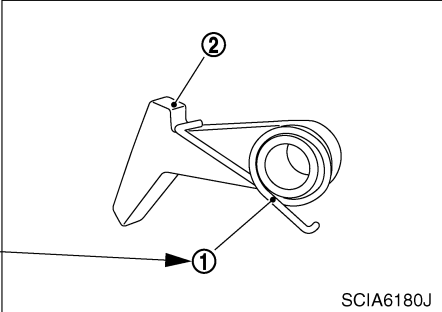
Relation between Illustrations and Descriptions

INFOID:000000007949309

The following sample explains the relationship between the part description in an illustration, the part name in the text and the service procedures.

< Example 1 >

1. Remove return spring (1) from parking pawl (2).




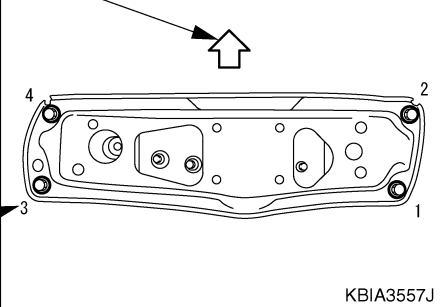
The identifier number of the part name in the text is consistent with the identifier part number in the illustration.

SCIA6180J

Direction mark

< Example 2 >

-  : Vehicle front
- Tighten rear member mounting bolts following the numerical order shown in the illustration.
- Note : View upward



The numbers in the illustration are consistent with the service operation instructions.

KBIA3557J

SAIA0519E

Components

INFOID:000000007949310

- **THE LARGE ILLUSTRATIONS** are exploded views (see the following) and contain tightening torques, lubrication points, section number of the **PARTS CATALOG** (e.g. SEC. 440) and other information necessary to perform repairs.

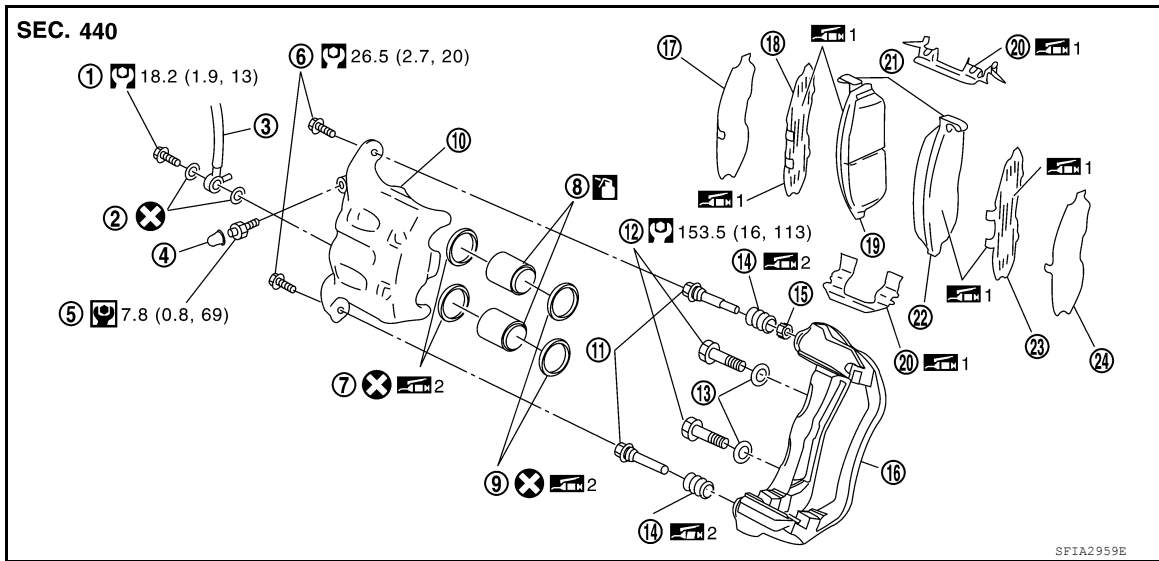
The illustrations should be used in reference to service matters only. When ordering parts, refer to the appropriate **PARTS CATALOG**.

Always check with the **PARTS DEPARTMENT** for the latest parts information.

Components shown in an illustration may be identified by a circled number. When this style of illustration is used, the text description of the components will follow the illustration.

HOW TO USE THIS MANUAL

< HOW TO USE THIS MANUAL >



- | | | |
|-------------------|----------------------|---------------------------------|
| 1. Union bolt | 2. Copper washer | 3. Brake hose |
| 4. Cap | 5. Bleed valve | 6. Sliding pin bolt |
| 7. Piston seal | 8. Piston | 9. Piston boot |
| 10. Cylinder body | 11. Sliding pin | 12. Torque member mounting bolt |
| 13. Washer | 14. Sliding pin boot | 15. Bushing |
| 16. Torque member | 17. Inner shim cover | 18. Inner shim |
| 19. Inner pad | 20. Pad retainer | 21. Pad wear sensor |
| 22. Outer pad | 23. Outer shim | 24. Outer shim cover |
- 1: PBC (Poly Butyl Cuprysil) grease 2: Rubber grease or silicone-based grease : Brake fluid

Refer to GI section for additional symbol definitions.

SYMBOLS

SYMBOL	DESCRIPTION	SYMBOL	DESCRIPTION
	Tightening torque The tightening torque specifications of bolts and nuts may be presented as either a range or a standard tightening torque.	: N•m (kg-m, ft-lb)	
		: N•m (kg-m, in-lb)	
	Should be lubricated with grease. Unless otherwise indicated, use recommended multi-purpose grease.		
	Should be lubricated with oil.		
	Sealing point		
	Sealing point with locking sealant.		
	Checking point		

SAIA0749E

GI
B
C
D
E
F
G
H
I
J
K
L
M
N
O
P

HOW TO FOLLOW TROUBLE DIAGNOSES

< HOW TO USE THIS MANUAL >

HOW TO FOLLOW TROUBLE DIAGNOSES

Description

INFOID:000000007949311

NOTICE:

Trouble diagnoses indicate work procedures required to diagnose problems effectively. Observe the following instructions before diagnosing.

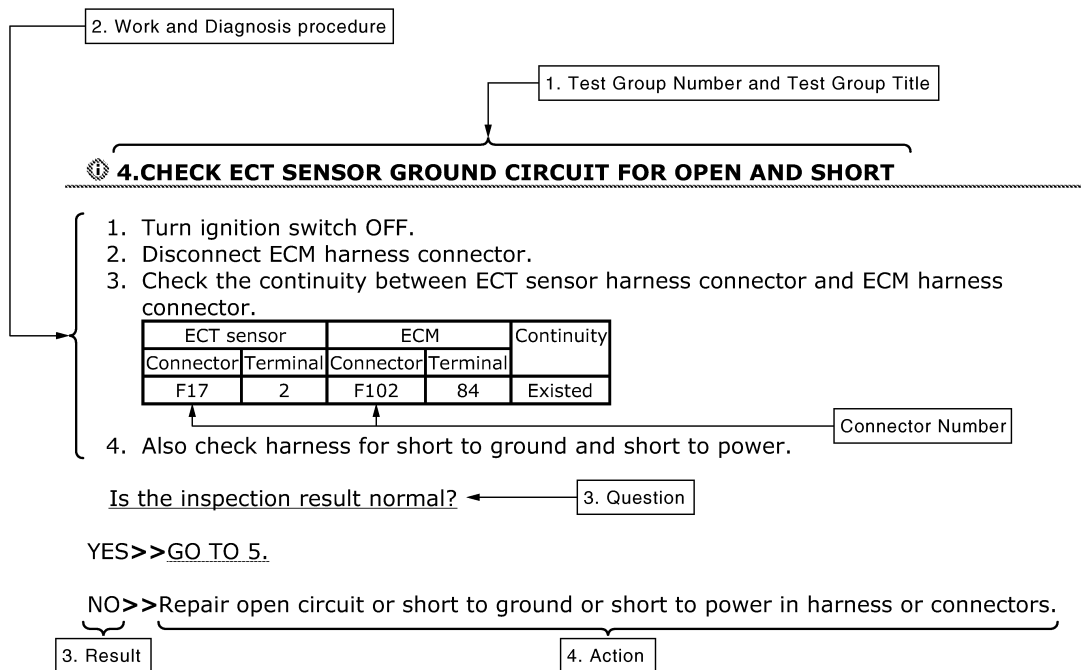
- Before performing trouble diagnoses, read the “Work Flow” in each section.
- After repairs, re-check that the problem has been completely eliminated.
- Refer to Component Parts and Harness Connector Location for the Systems described in each section for identification/location of components and harness connectors.
- When checking circuit continuity, ignition switch should be OFF.
- Refer to the Circuit Diagram for quick pinpoint check.

If you need to check circuit continuity between harness connectors in more detail, such as when a sub-harness is used, refer to Wiring Diagram in each individual section and Harness Layout in PG section for identification of harness connectors.

- Before checking voltage at connectors, check battery voltage.
- After accomplishing the Diagnosis Procedures and Electrical Components Inspection, make sure that all harness connectors are reconnected as they were.

How to Follow Test Groups in Trouble Diagnosis

INFOID:000000007949312



JPAIA0021GB






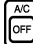

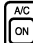











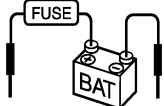


1. Test group number and test group title
 - Test group number and test group title are shown in the upper portion of each test group.
2. Work and diagnosis procedure
 - Start to diagnose a problem using procedures indicated in enclosed test groups.
3. Questions and results
 - Questions and required results are indicated in test group.
4. Action
 - Next action for each test group is indicated based on result of each question.

HOW TO FOLLOW TROUBLE DIAGNOSES

< HOW TO USE THIS MANUAL >

Key to Symbols Signifying Measurements or Procedures

INFOID:000000007949313

SYMBOL	DESCRIPTION	SYMBOL	DESCRIPTION
	Check after disconnecting the connector to be measured.		Procedure with Generic Scan Tool. (GST, OBD-II scan tool)
	Check after connecting the connector to be measured.		Procedure without CONSULT-II, CONSULT-III or GST
	Insert key into ignition switch.		A/C switch is "OFF".
	Remove key from ignition switch.		A/C switch is "ON".
	Insert and remove key repeatedly.		REC switch is "ON".
	Turn ignition switch to "OFF" position.		REC switch is "OFF".
	Turn ignition switch to "ACC" position.		Fan switch is "ON". (At any position except for "OFF" position)
	Turn ignition switch to "ON" position.		Fan switch is "OFF".
	Turn ignition switch to "START" position.		Apply fuse.
	Turn ignition switch from "OFF" to "ACC" position.		Apply positive voltage from battery with fuse directly to components.
	Turn ignition switch from "ACC" to "ON" position.		
	Turn ignition switch from "ACC" to "OFF" position.		

SAIA1539E

GI

B

C

D

E

F

G

H

I

J

K

L

M















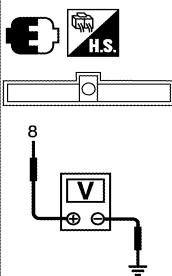


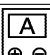
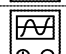





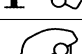
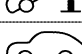

N

O

P

HOW TO FOLLOW TROUBLE DIAGNOSES

< HOW TO USE THIS MANUAL >

SYMBOL	DESCRIPTION	SYMBOL	DESCRIPTION
	Turn ignition switch from "OFF" to "ON" position.		Drive vehicle.
	Turn ignition switch from "ON" to "OFF" position.		
	Do not start engine, or check with engine stopped.		Disconnect battery negative cable.
	Start engine, or check with engine running.		Depress brake pedal.
	Apply parking brake.		Release brake pedal.
	Release parking brake.		Depress accelerator pedal.
	Check after engine is warmed up sufficiently.		Release accelerator pedal.
	Voltage should be measured with a voltmeter.	 <p>Pin terminal check for SMJ type ECM or TCM connectors. For details regarding the terminal arrangement, refer to the "ELECTRICAL UNITS" electrical reference page at the end of the manual.</p>	
	Circuit resistance should be measured with an ohmmeter.		
	Current should be measured with an ammeter.		
	Pulse signal should be checked with an oscilloscope.		
	Procedure with CONSULT		
	Procedure without CONSULT		
	Place selector lever in "P" position.		
	Place selector lever in "N" position.		
	Jack up front portion.		
	Jack up rear portion.		
	Inspect under engine room.		
	Inspect under floor.		
	Inspect rear under floor.		

JSAIA1461GB

HOW TO READ WIRING DIAGRAMS

< HOW TO USE THIS MANUAL >

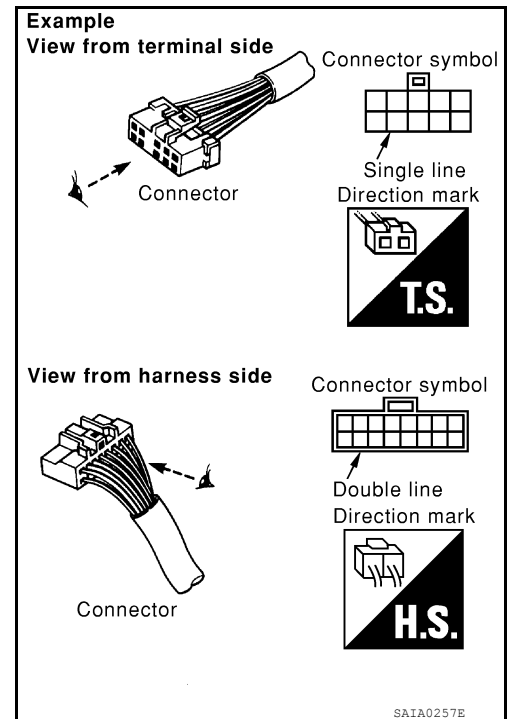
HOW TO READ WIRING DIAGRAMS

Connector symbols

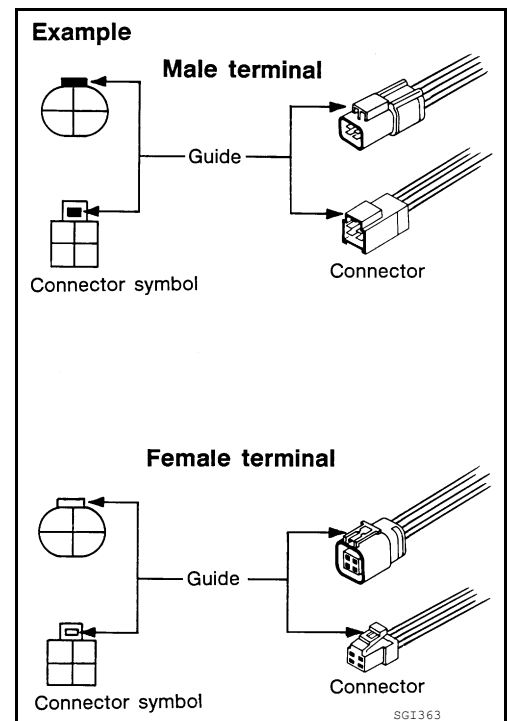
INFOID:000000007949314

Most of connector symbols in wiring diagrams are shown from the terminal side.

- Connector symbols shown from the terminal side are enclosed by a single line and followed by the direction mark.
- Connector symbols shown from the harness side are enclosed by a double line and followed by the direction mark.
- Certain systems and components, especially those related to OBD, may use a new style slide-locking type harness connector. For description and how to disconnect, refer to PG section, "Description", "HARNESS CONNECTOR".



- Male and female terminals
Connector guides for male terminals are shown in black and female terminals in white in wiring diagrams.



GI
B
C
D
E
F
G
H
I
J
K
L
M
N
O
P

HOW TO READ WIRING DIAGRAMS

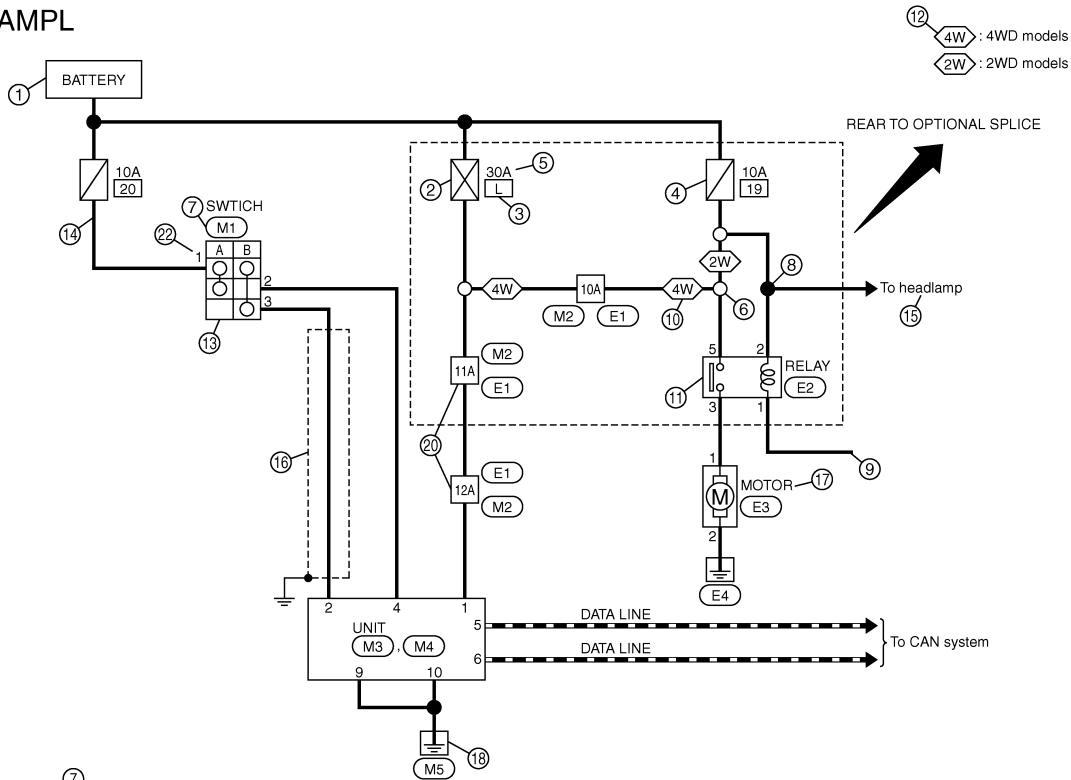
< HOW TO USE THIS MANUAL >

Sample/wiring diagram -example-

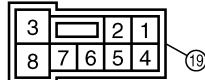
INFOID:000000007949315

- For detail, refer to following [GI-11. "Description"](#).

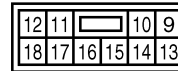
EXAMPL



Connector No.	M3
Connector Name	UNIT
Connector Type	NS06FW-M2



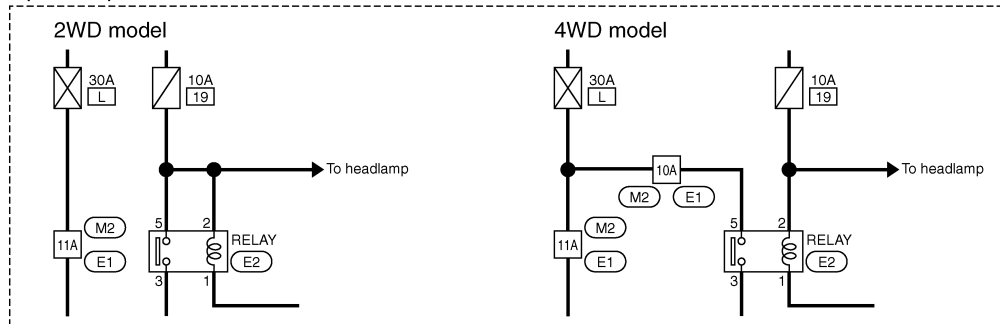
Connector No.	M4
Connector Name	UNIT
Connector Type	NS10FW-CS



Terminal No.	Color of Wire	Signal Name [Specification]
1	W	BAT
2	G	SWITCH B
4	V	SWITCH A
5	L	CAN-H
6	P	CAN-L

Terminal No.	Color of Wire	Signal Name [Specification]
9	B	GND
10	B	GND

Optional splice



JCAWA0005GB


HOW TO READ WIRING DIAGRAMS

< HOW TO USE THIS MANUAL >

Description

INFOID:000000007949316

GI

Number	Item	Description																
1	Power supply	• This means the power supply of fusible link or fuse.																
2	Fusible link	• "X" means the fusible link.																
3	Number of fusible link/fuse	• This means the number of fusible link or fuse location.																
4	Fuse	• "f" means the fuse.																
5	Current rating of fusible link/fuse	• This means the current rating of the fusible link or fuse.																
6	Optional splice	• The open circle shows that the splice is optional depending on vehicle application.																
7	Connector number	• The letter shows which harness the connector is located in. • Example "M": main harness. For detail and to locate the connector, refer to PG-68, "Electrical Units Location" , PG-43, "Harness Layout" .																
8	Splice	• The shaded circle  means the splice.																
9	Page crossing	• This circuit continues to an adjacent page.																
10	Option abbreviation	• This means the vehicle specifications which layouts the circuit between "O".																
11	Relay	• This shows an internal representation of the relay.																
12	Option description	• This shows a description of the option abbreviation used on the page.																
13	Switch	• This shows that continuity exists between terminals 1 and 2 when the switch is in the A position. Continuity exists between terminals 1 and 3 when the switch is in the B position.																
14	Circuit (Wiring)	• This means the wiring.																
15	System branch	• This shows that the circuit is branched to other systems.																
16	Shielded line	• The line enclosed by broken line circle shows shield wire.																
17	Component name	• This shows the name of a component.																
18	Ground (GND)	• This shows the ground connection.																
19	Connector	• This means the connector information. • This unit-side is described by the connector symbols.																
20	Connectors	• This means that a transmission line bypasses two connectors or more.																
21	Wire color	• This shows a code for the color of the wire. <table border="0"> <tr> <td>B = Black</td> <td>BR = Brown</td> </tr> <tr> <td>W = White</td> <td>OR or O = Orange</td> </tr> <tr> <td>R = Red</td> <td>P = Pink</td> </tr> <tr> <td>G = Green</td> <td>PU or V (Violet) = Purple</td> </tr> <tr> <td>L = Blue</td> <td>GY or GR = Gray</td> </tr> <tr> <td>Y = Yellow</td> <td>SB = Sky Blue</td> </tr> <tr> <td>LG = Light Green</td> <td>CH = Dark Brown</td> </tr> <tr> <td>BG = Beige</td> <td>DG = Dark Green</td> </tr> </table>	B = Black	BR = Brown	W = White	OR or O = Orange	R = Red	P = Pink	G = Green	PU or V (Violet) = Purple	L = Blue	GY or GR = Gray	Y = Yellow	SB = Sky Blue	LG = Light Green	CH = Dark Brown	BG = Beige	DG = Dark Green
		B = Black	BR = Brown															
W = White	OR or O = Orange																	
R = Red	P = Pink																	
G = Green	PU or V (Violet) = Purple																	
L = Blue	GY or GR = Gray																	
Y = Yellow	SB = Sky Blue																	
LG = Light Green	CH = Dark Brown																	
BG = Beige	DG = Dark Green																	
• When the wire color is striped, the base color is given first, followed by the stripe color as shown below: Example: L/W = Blue with White Stripe																		
22	Terminal number	• This means the terminal number of a connector.																

B

C

D

E

F

G

H

I

J

K

L

M

N

O

P

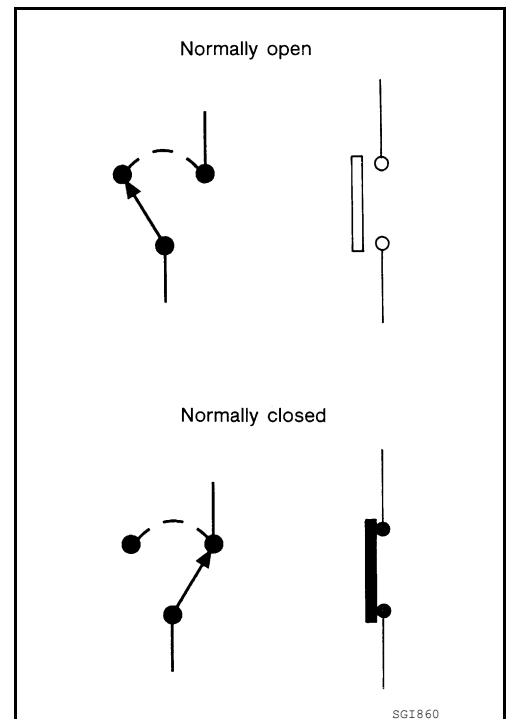
SWITCH POSITIONS

Switches are shown in wiring diagrams as if the vehicle is in the "normal" condition. A vehicle is in the "normal" condition when:

HOW TO READ WIRING DIAGRAMS

< HOW TO USE THIS MANUAL >

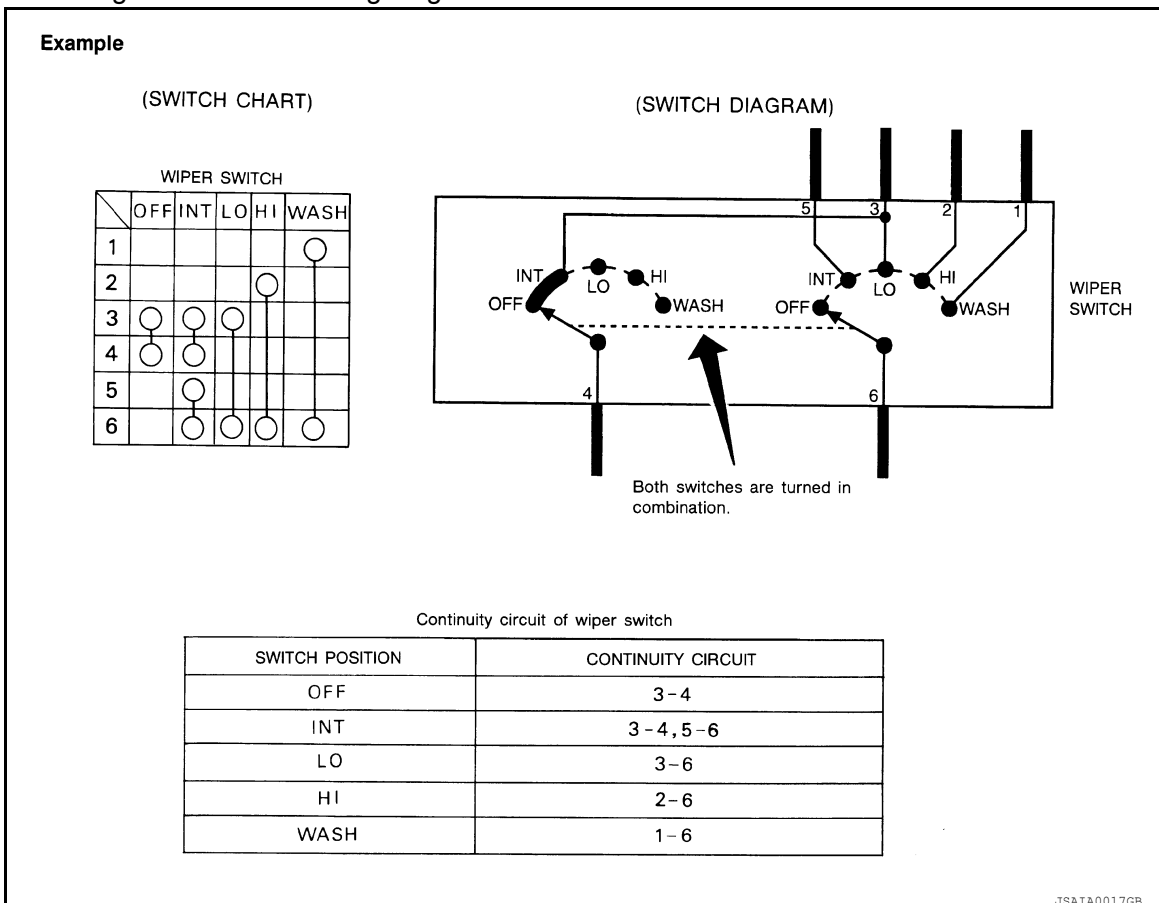
- ignition switch is "OFF",
- doors and hood are closed,
- pedals are not depressed, and
- parking brake is released.



MULTIPLE SWITCH

The continuity of multiple switch is described in two ways as shown below.

- The switch chart is used in schematic diagrams.
- The switch diagram is used in wiring diagrams.



ABBREVIATIONS

< HOW TO USE THIS MANUAL >

ABBREVIATIONS

Abbreviation List

INFOID:000000007949317

The following **ABBREVIATIONS** are used:

ABBREVIATION	DESCRIPTION
A/C	Air Conditioner
A/T	Automatic Transaxle/Transmission
ATF	Automatic Transmission Fluid
AWD	All wheel drive
D1	Drive range [First Gear (1GR)]
D2	Drive range [Second Gear (2GR)]
D3	Drive range [Third Gear (3GR)]
D4	Drive range [Fourth Gear (4GR)]
FR, RR	Front, Rear
LH, RH	Left-Hand, Right-Hand
OD	Overdrive
P/S	Power Steering
SAE	Society of Automotive Engineers, Inc.
SDS	Service Data and Specifications
SST	Special Service Tools
2WD	2-Wheel Drive
4WD	4-Wheel Drive
22	2nd range [Second Gear (2GR)]
21	2nd range [First Gear (1GR)]
12	1st range [Second Gear (2GR)]
11	1st range [First Gear (1GR)]

GI

B

C

D

E

F

G

H

I

J

K

L

M

N

O

P

TIGHTENING TORQUE OF STANDARD BOLTS

< HOW TO USE THIS MANUAL >

TIGHTENING TORQUE OF STANDARD BOLTS

Description

INFOID:000000008945664

This vehicle has both new standard based on ISO* and previous standard bolts/nuts. There are some differences between these two types of bolts/ nuts; shape of the head, grade of strength, hexagonal width across flats and the standard tightening torque.

- For guidance in discriminating, refer to [GI-14, "Tightening Torque Table \(New Standard Included\)"](#).
- If the tightening torque is not described in the description or figure, refer to [GI-14, "Tightening Torque Table \(New Standard Included\)"](#).

*ISO: International Organization for Standardization

Tightening Torque Table (New Standard Included)

INFOID:000000008945665

CAUTION:

- The special parts are excluded.
- The bolts/nuts in these tables have a strength (discrimination) number/symbol assigned to the head or the like. As to the relation between the strength grade in these tables and the strength (discrimination) number/symbol, refer to “DISCRIMINATION OF BOLTS AND NUTS”.

PREVIOUS STANDARD

Grade (Strength grade)	Bolt size	Bolt di- ameter mm	Hexagonal width across flats mm	Pitch mm	Tightening torque (Without lubricant)							
					Hexagon head bolt				Hexagon flange bolt			
					N·m	kg·m	ft·lb	in·lb	N·m	kg·m	ft·lb	in·lb
4T	M6	6.0	10	1.0	5.5	0.56	4	49	7	0.71	5	62
	M8	8.0	12	1.25	13.5	1.4	10	—	17	1.7	13	—
				1.0	13.5	1.4	10	—	17	1.7	13	—
	M10	10.0	14	1.5	28	2.9	21	—	35	3.6	26	—
				1.25	28	2.9	21	—	35	3.6	26	—
	M12	12.0	17	1.75	45	4.6	33	—	55	5.6	41	—
1.25				45	4.6	33	—	65	6.6	48	—	
M14	14.0	19	1.5	80	8.2	59	—	100	10	74	—	
7T	M6	6.0	10	1.0	9	0.92	7	80	11	1.1	8	97
	M8	8.0	12	1.25	22	2.2	16	—	28	2.9	21	—
				1.0	22	2.2	16	—	28	2.9	21	—
	M10	10.0	14	1.5	45	4.6	33	—	55	5.6	41	—
				1.25	45	4.6	33	—	55	5.6	41	—
	M12	12.0	17	1.75	80	8.2	59	—	100	10	74	—
1.25				80	8.2	59	—	100	10	74	—	
M14	14.0	19	1.5	130	13	96	—	170	17	125	—	
9T	M6	6.0	10	1.0	11	1.1	8	—	13.5	1.4	10	—
	M8	8.0	12	1.25	28	2.9	21	—	35	3.6	26	—
				1.0	28	2.9	21	—	35	3.6	26	—
	M10	10.0	14	1.5	55	5.6	41	—	80	8.2	59	—
				1.25	55	5.6	41	—	80	8.2	59	—
	M12	12.0	17	1.75	100	10	74	—	130	13	96	—
1.25				100	10	74	—	130	13	96	—	
M14	14.0	19	1.5	170	17	125	—	210	21	155	—	

CAUTION:

The parts with aluminum or the cast iron washer surface/thread surface are excluded.

TIGHTENING TORQUE OF STANDARD BOLTS

< HOW TO USE THIS MANUAL >

NEW STANDARD BASED ON ISO

Grade (Strength grade)	Bolt size	Bolt di- ameter mm	Hexagonal width across flats mm	Pitch mm	Tightening torque							
					Hexagon head bolt				Hexagon flange bolt			
					N·m	kg·m	ft·lb	in·lb	N·m	kg·m	ft·lb	in·lb
4.8 (Without lubricant)	M6	6.0	10	1.0	5.5	0.56	4	49	7	0.71	5	62
	M8	8.0	13	1.25	13.5	1.4	10	—	17	1.7	13	—
				1.0	13.5	1.4	10	—	17	1.7	13	—
	M10	10.0	16	1.5	28	2.9	21	—	35	3.6	26	—
				1.25	28	2.9	21	—	35	3.6	26	—
	M12	12.0	18	1.75	45	4.6	33	—	55	5.6	41	—
				1.25	45	4.6	33	—	65	6.6	48	—
M14	14.0	21	1.5	80	8.2	59	—	100	10	74	—	
4.8 (With lu- bricant)	M6	6.0	10	1.0	4	0.41	3	35	5.5	0.56	4	49
	M8	8.0	13	1.25	11	1.1	8	—	13.5	1.4	10	—
				1.0	11	1.1	8	—	13.5	1.4	10	—
	M10	10.0	16	1.5	22	2.2	16	—	28	2.9	21	—
				1.25	22	2.2	16	—	28	2.9	21	—
	M12	12.0	18	1.75	35	3.6	26	—	45	4.6	33	—
				1.25	35	3.6	26	—	45	4.6	33	—
M14	14.0	21	1.5	65	6.6	48	—	80	8.2	59	—	
8.8 (With lu- bricant)	M6	6.0	10	1.0	8	0.82	6	71	10	1.0	7	89
	M8	8.0	13	1.25	21	2.1	15	—	25	2.6	18	—
				1.0	21	2.1	15	—	25	2.6	18	—
	M10	10.0	16	1.5	40	4.1	30	—	50	5.1	37	—
				1.25	40	4.1	30	—	50	5.1	37	—
	M12	12.0	18	1.75	70	7.1	52	—	85	8.7	63	—
				1.25	70	7.1	52	—	85	8.7	63	—
M14	14.0	21	1.5	120	12	89	—	140	14	103	—	
10.9 (With lu- bricant)	M6	6.0	10	1.0	10	1.0	7	89	12	1.2	9	106
	M8	8.0	13	1.25	27	2.8	20	—	32	3.3	24	—
				1.0	27	2.8	20	—	32	3.3	24	—
	M10	10.0	16	1.5	55	5.6	41	—	65	6.6	48	—
				1.25	55	5.6	41	—	65	6.6	48	—
	M12	12.0	18	1.75	95	9.7	70	—	110	11	81	—
				1.25	95	9.7	70	—	110	11	81	—
M14	14.0	21	1.5	160	16	118	—	180	18	133	—	

CAUTION:

1. Use tightening torque with lubricant for the new standard bolts/nuts in principle. Friction coefficient stabilizer is applied to the new standard bolts/nuts.
2. However, use tightening torque without lubricant for the following cases. Friction coefficient stabilizer is not applied to the following bolts/nuts.
 - Grade 4.8, M6 size bolt, Conical spring washer installed
 - Paint removing nut (Size M6 and M8) for fixing with weld bolt

GI

B

C

D

E

F

G

H

I

J

K

L

M

N

O

P

TIGHTENING TORQUE OF STANDARD BOLTS

< HOW TO USE THIS MANUAL >

DISCRIMINATION OF BOLTS AND NUTS

BOLTS

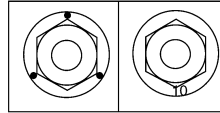
	Grade (Strength)	Discrimination	
Previous standard	4T (392N/mm ²)		 (No number/ symbol)
	7T (686N/mm ²)		
	9T (883N/mm ²)		
New Standard	4.8 (420N/mm ²)		 (No number/ symbol)
	8.8 (800N/mm ²)		
	10.9 (1040N/mm ²)		

NUTS

	Grade (Proof load stress)	Discrimination		
Previous standard	7N (686N/mm ²)	 (No number/ symbol)		
	9N (883N/mm ²)			
New Standard	8 (800N/mm ²)			 (No number/ symbol)
	10 (1040N/mm ²)			

NOTICE:

- A number is assigned on the side of the nuts in some cases.
- A number or symbol is assigned on the upper surface of the flange for the nut with flange.



MACHINE SCREWS AND TAPPING SCREWS

Shape of the head :

Cross recess for the previous standard
Torx recess for the new standard

Screw size	Screw diameter	Torx size
M4	4.0	T20
M5	5.0	T20
M6	6.0	T30

NOTICE:

Use torx size T20 (united with M4 screw) for M5 screw although ISO standard specifies T25.

SAIA0453E

RECOMMENDED CHEMICAL PRODUCTS AND SEALANTS

< HOW TO USE THIS MANUAL >

RECOMMENDED CHEMICAL PRODUCTS AND SEALANTS

Recommended Chemical Products and Sealants

INFOID:000000007949319

Refer to the following chart for help in selecting the appropriate chemical product or sealant.

	Product Description	Purpose	Nissan North America Part No. (USA)	Nissan Canada Part No. (Canada)	Aftermarket Cross-reference Part Nos.
1	Rear View Mirror Adhesive	Used to permanently re-mount rear view mirrors to windows.	999MP-AM000P	99998-50505	Permatex 81844
2	Anaerobic Liquid Gasket	For metal-to-metal flange sealing. Can fill a 0.38 mm (0.015 inch) gap and provide instant sealing for most powertrain applications.	999MP-AM001P	99998-50503	Permatex 51813 and 51817
3	High Performance Thread Sealant	Provides instant sealing on any threaded straight or parallel threaded fitting. (Thread sealant only, no locking ability.) • Do not use on plastic.	999MP-AM002P	999MP-AM002P	Permatex 56521
4	Silicone RTV	Gasket Maker	999MP-AM003P (Ultra Grey)	99998-50506 (Ultra Grey)	Permatex Ultra Grey 82194; Three Bond 1207, 1215, 1216, 1217F, 1217G and 1217H Nissan RTV Part No. 999MP-A7007
5	High Temperature, High Strength Thread Locking Sealant (Red)	Threadlocker	999MP-AM004P	999MP-AM004P	Permatex 27200; Three Bond 1360, 1360N, 1305 N&P, 1307N, 1335, 1335B, 1363B, 1377C, 1386B, D&E and 1388 Loctite 648
6	Medium Strength Thread Locking Sealant (Blue)	Threadlocker (service tool removable)	999MP-AM005P	999MP-AM005P	Permatex 24200, 24206, 24240, 24283 and 09178; Three Bond 1322, 1322N, 1324 D&N, 1333D, 1361C, 1364D, 1370C and 1374

GI

B

C

D

E

F

G

H

I

J

K

L

M

N

O

P

TERMINOLOGY

< HOW TO USE THIS MANUAL >

TERMINOLOGY

SAE J1930 Terminology List

INFOID:000000007949320

All emission related terms used in this publication in accordance with SAE J1930 are listed. Accordingly, new terms, new acronyms/abbreviations and old terms are listed in the following chart.

NEW TERM	NEW ACRONYM / ABBREVIATION	OLD TERM
Air cleaner	ACL	Air cleaner
Barometric pressure	BARO	***
Barometric pressure sensor-BCDD	BAROS-BCDD	BCDD
Camshaft position	CMP	***
Camshaft position sensor	CMPS	Crank angle sensor
Canister	***	Canister
Carburetor	CARB	Carburetor
Charge air cooler	CAC	Intercooler
Closed loop	CL	Closed loop
Closed throttle position switch	CTP switch	Idle switch
Clutch pedal position switch	CPP switch	Clutch switch
Continuous fuel injection system	CFI system	***
Continuous trap oxidizer system	CTOX system	***
Crankshaft position	CKP	***
Crankshaft position sensor	CKPS	***
Data link connector	DLC	***
Data link connector for CONSULT	DLC for CONSULT	Diagnostic connector for CONSULT
Diagnostic test mode	DTM	Diagnostic mode
Diagnostic test mode selector	DTM selector	Diagnostic mode selector
Diagnostic test mode I	DTM I	Mode I
Diagnostic test mode II	DTM II	Mode II
Diagnostic trouble code	DTC	Malfunction code
Direct fuel injection system	DFI system	***
Distributor ignition system	DI system	Ignition timing control
Early fuel evaporation-mixture heater	EFE-mixture heater	Mixture heater
Early fuel evaporation system	EFE system	Mixture heater control
Electrically erasable programmable read only memory	EEPROM	***
Electronic ignition system	EI system	Ignition timing control
Engine control	EC	***
Engine control module	ECM	ECCS control unit
Engine coolant temperature	ECT	Engine temperature
Engine coolant temperature sensor	ECTS	Engine temperature sensor
Engine modification	EM	***
Engine speed	RPM	Engine speed
Erasable programmable read only memory	EPROM	***
Evaporative emission canister	EVAP canister	Canister
Evaporative emission system	EVAP system	Canister control solenoid valve
Exhaust gas recirculation valve	EGR valve	EGR valve

TERMINOLOGY

< HOW TO USE THIS MANUAL >

NEW TERM	NEW ACRONYM / ABBREVIATION	OLD TERM	
Exhaust gas recirculation control-BPT valve	EGRC-BPT valve	BPT valve	GI
Exhaust gas recirculation control-solenoid valve	EGRC-solenoid valve	EGR control solenoid valve	B
Exhaust gas recirculation temperature sensor	EGRT sensor	Exhaust gas temperature sensor	C
EGR temperature sensor			
Flash electrically erasable programmable read only memory	FEEPROM	***	D
Flash erasable programmable read only memory	FEPROM	***	E
Flexible fuel sensor	FFS	***	E
Flexible fuel system	FF system	***	F
Fuel pressure regulator	***	Pressure regulator	F
Fuel pressure regulator control solenoid valve	***	PRVR control solenoid valve	G
Fuel trim	FT	***	G
Heated Oxygen sensor	HO2S	Exhaust gas sensor	H
Idle air control system	IAC system	Idle speed control	H
Idle air control valve-air regulator	IACV-air regulator	Air regulator	I
Idle air control valve-auxiliary air control valve	IACV-AAC valve	Auxiliary air control (AAC) valve	I
Idle air control valve-FICD solenoid valve	IACV-FICD solenoid valve	FICD solenoid valve	J
Idle air control valve-idle up control solenoid valve	IACV-idle up control solenoid valve	Idle up control solenoid valve	J
Idle speed control-FI pot	ISC-FI pot	FI pot	K
Idle speed control system	ISC system	***	K
Ignition control	IC	***	L
Ignition control module	ICM	***	L
Indirect fuel injection system	IFI system	***	M
Intake air	IA	Air	M
Intake air temperature sensor	IAT sensor	Air temperature sensor	N
Knock	***	Detonation	N
Knock sensor	KS	Detonation sensor	O
Malfunction indicator lamp	MIL	Check engine light	O
Manifold absolute pressure	MAP	***	P
Manifold absolute pressure sensor	MAPS	***	P
Manifold differential pressure	MDP	***	
Manifold differential pressure sensor	MDPS	***	
Manifold surface temperature	MST	***	
Manifold surface temperature sensor	MSTS	***	
Manifold vacuum zone	MVZ	***	
Manifold vacuum zone sensor	MVZS	***	
Mass air flow sensor	MAFS	Air flow meter	
Mixture control solenoid valve	MC solenoid valve	Air-fuel ratio control solenoid valve	
Multiport fuel injection System	MFI system	Fuel injection control	

TERMINOLOGY

< HOW TO USE THIS MANUAL >

NEW TERM	NEW ACRONYM / ABBREVIATION	OLD TERM
Nonvolatile random access memory	NVRAM	***
On board diagnostic system	OBD system	Self-diagnosis
Open loop	OL	Open loop
Oxidation catalyst	OC	Catalyst
Oxidation catalytic converter system	OC system	***
Oxygen sensor	O2S	Exhaust gas sensor
Park position switch	***	Park switch
Periodic trap oxidizer system	PTOX system	***
Positive crankcase ventilation	PCV	Positive crankcase ventilation
Positive crankcase ventilation valve	PCV valve	PCV valve
Powertrain control module	PCM	***
Programmable read only memory	PROM	***
Pulsed secondary air injection control solenoid valve	PAIRC solenoid valve	AIV control solenoid valve
Pulsed secondary air injection system	PAIR system	Air induction valve (AIV) control
Pulsed secondary air injection valve	PAIR valve	Air induction valve
Random access memory	RAM	***
Read only memory	ROM	***
Scan tool	ST	***
Secondary air injection pump	AIR pump	***
Secondary air injection system	AIR system	***
Sequential multiport fuel injection system	SFI system	Sequential fuel injection
Service reminder indicator	SRI	***
Simultaneous multiport fuel injection system	***	Simultaneous fuel injection
Smoke puff limiter system	SPL system	***
Supercharger	SC	***
Supercharger bypass	SCB	***
System readiness test	SRT	***
Thermal vacuum valve	TVV	Thermal vacuum valve
Three way catalyst	TWC	Catalyst
Three way catalytic converter system	TWC system	***
Three way + oxidation catalyst	TWC + OC	Catalyst
Three way + oxidation catalytic converter system	TWC + OC system	***
Throttle body	TB	Throttle chamber SPI body
Throttle body fuel injection system	TBI system	Fuel injection control
Throttle position	TP	Throttle position
Throttle position switch	TPS	Throttle sensor
Throttle position switch	TP switch	Throttle switch
Torque converter clutch solenoid valve	TCC solenoid valve	Lock-up cancel solenoid Lock-up solenoid
Transmission range sensor	***	Park/neutral position switch
Transmission control module	TCM	A/T control unit

TERMINOLOGY

< HOW TO USE THIS MANUAL >

NEW TERM	NEW ACRONYM / ABBREVIATION	OLD TERM
Turbocharger	TC	Turbocharger
Vehicle speed sensor	VSS	Vehicle speed sensor
Volume air flow sensor	VAFS	Air flow meter
Warm up oxidation catalyst	WU-OC	Catalyst
Warm up oxidation catalytic converter system	WU-OC system	***
Warm up three way catalyst	WU-TWC	Catalyst
Warm up three way catalytic converter system	WU-TWC system	***
Wide open throttle position switch	WOTP switch	Full switch

***: Not applicable

GI

B

C

D

E

F

G

H

I

J

K

L

M

N

O

P

IDENTIFICATION INFORMATION

< FEATURES OF NEW MODEL >

FEATURES OF NEW MODEL

IDENTIFICATION INFORMATION

Model Variation

INFOID:000000007949321

Prefix and suffix designations:

Position	Character	Qualifier	Definition
1	B	Body type	B: King Cab
			C: Crew Cab
2	PK	Engine	PK: VK56DE
3			
4	A	Axle	A: 2WD SWB (short wheel base)
			B: 2WD LWB (long wheel base)
			N: 4WD SWB
			P: 4WD LWB
5	L	Drive	L: LH
6	T	Grade	R: S
			T: SV
			U: PRO-4X
			V: SL
7	N	Transmission	N: RE5R05A (5A/T)
8	P90	Model	P90: Titan
9			
10			
11	E	Intake	E: EGI
			M: FFV
12	U	Zone	N: Canada
			U: USA
			J: Mexico
13	L	Equipment	L: Standard
14	XXXXX	Option Codes	Option Codes
15			
16			
17			
18			

2WD Model

Body	Engine	Transmission	Destination	Grade	Model
King Cab (SWB)	VK56DE	RE5R05A (5A/T)	50-State	S	BPKALRN-EUL
				SV	BPKALTN-EUL
			Canada	S	BPKALRN-ENL
				SV	BPKALTN-ENL
	VK56DE FFV	RE5R05A (5A/T)	50-State	S	BPKALRN-MUL
				SV	BPKALTN-MUL

IDENTIFICATION INFORMATION

< FEATURES OF NEW MODEL >

Body	Engine	Transmission	Destination	Grade	Model
Crew Cab (SWB)	VK56DE	RE5R05A (5A/T)	50-State	S	CPKALRN-EUL
				SV	CPKALTN-EUL
				SL	CPKALVN-EUL
			Mexico	S	CPKALRN-EJL
	SV	CPKALTN-EJL			
	VK56DE FFV	RE5R05A (5A/T)	50-State	S	CPKALRN-MUL
SV				CPKALTN-MUL	
SL				CPKALVN-MUL	

4WD Model

Body	Engine	Transmission	Destination	Grade	Model
King Cab (SWB)	VK56DE	RE5R05A (5A/T)	50-State	S	BPKNLRN-EUL
				SV	BPKNLTN-EUL
				PRO-4X	BPKNLUN-EUL
			Canada	SV	BPKNLTN-ENL
	PRO-4X	BPKNLUN-ENL			
	SL	BPKNLVN-ENL			
VK56DE FFV	RE5R05A (5A/T)	50-State	S	BPKNLRN-MUL	
			SV	BPKNLTN-MUL	
			PRO-4X	BPKNLUN-MUL	
Crew Cab (SWB)	VK56DE	RE5R05A (5A/T)	50-State	S	CPKNLRN-EUL
				SV	CPKNLTN-EUL
				PRO-4X	CPKNLUN-EUL
				SL	CPKNLVN-EUL
			Canada	S	CPKNLRN-ENL
				SV	CPKNLTN-ENL
				PRO-4X	CPKNLUN-ENL
				SL	CPKNLVN-ENL
	Mexico	S	CPKNLRN-EJL		
		SL	CPKNLVN-EJL		
		PRO-4X	CPKNLUN-EJL		
VK56DE FFV	RE5R05A (5A/T)	50-State	S	CPKNLRN-MUL	
			SV	CPKNLTN-MUL	
			PRO-4X	CPKNLUN-MUL	
			SL	CPKNLVN-MUL	

2WD Model

Body	Engine	Transmission	Destination	Grade	Model
Crew Cab (LWB)	VK56DE	RE5R05A (5A/T)	50-State	SV	CPKBLTN-EUL
	VK56DE FFV			SV	CPKBLTN-MUL

4WD Model

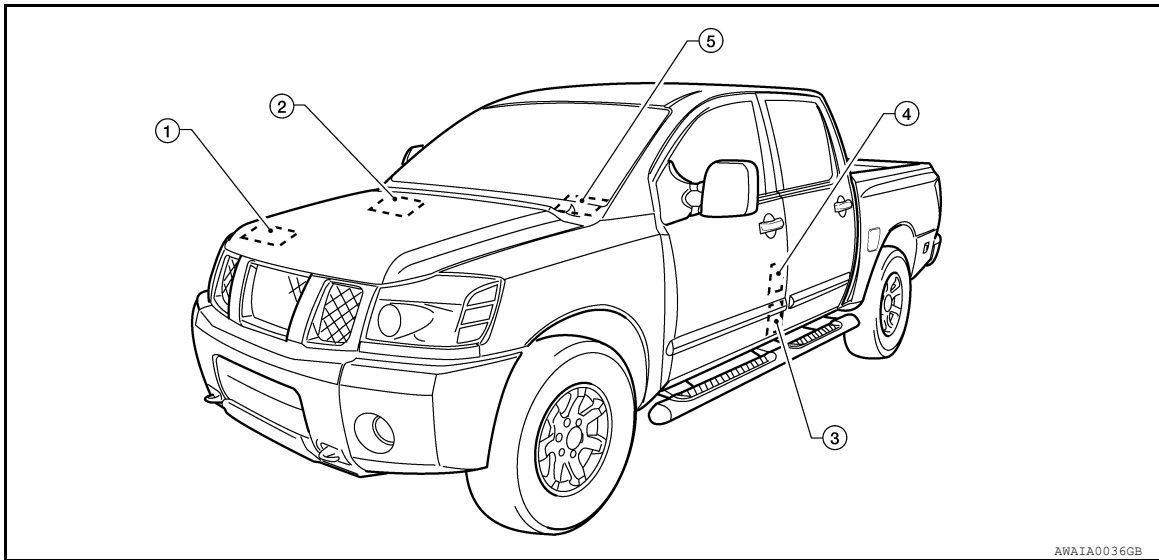
Body	Engine	Transmission	Destination	Grade	Model
Crew Cab (LWB)	VK56DE	RE5R05A (5A/T)	50-State	SV	CPKPLTN-EUL
			Canada	SV	CPKPLTN-ENL
	VK56DE FFV		50-State	SV	CPKPLTN-MUL

IDENTIFICATION INFORMATION

< FEATURES OF NEW MODEL >

Identification Number

INFOID:000000007949322



- 1. Emission control information label
- 2. Air conditioner specification label
- 3. F.M.V.S.S./ C.M.V.S.S. certification label
- 4. Tire and loading information label
- 5. Vehicle identification number (VIN) plate

VEHICLE IDENTIFICATION NUMBER ARRANGEMENT

Position	Character	Qualifier	Definition
1	1N6	Manufacturer	1N6: USA produced truck
2			
3			
4	A	Engine type	A: VK56DE B: VK56DE (Flexible fuel vehicle)
5	A0	Model code	A0: A60 (Titan)
6			
7	C	Body type	C: King Cab (SWB) E: Crew Cab (SWB) F: Crew Cab (LWB)

IDENTIFICATION INFORMATION

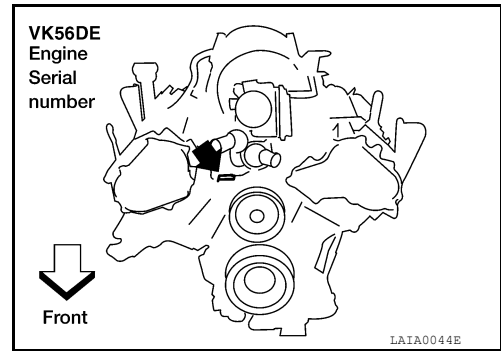
< FEATURES OF NEW MODEL >

Position	Character	Qualifier	Definition	
8	A	Gross vehicle weight rating	A: 2WD, 4-wheel ABS, Class E <ul style="list-style-type: none"> • 5 seating capacity - (Driver and Passenger): 3-Point Manual Belts, Frontal Air Bags, Side Air Bags and Curtain Side Air Bags - (2nd Row Outboard): 3-Point Manual Belts and Curtain Side Air Bags - (2nd Row Center): 3-Point Manual Belt 	GI
			C: 4WD, 4-wheel ABS, Class F <ul style="list-style-type: none"> • 5 seating capacity - (Driver and Passenger): 3-Point Manual Belts, Frontal Air Bags, Side Air Bags and Curtain Side Air Bags - (2nd Row Outboard): 3-Point Manual Belts and Curtain Side Air Bags - (2nd Row Center): 3-Point Manual Belt 	B
			D: 2WD, 4-wheel ABS, Class F <ul style="list-style-type: none"> • 5 seating capacity - (Driver and Passenger): 3-Point Manual Belts, Frontal Air Bags, Side Air Bags and Curtain Side Air Bags - (2nd Row Outboard): 3-Point Manual Belts and Curtain Side Air Bags - (2nd Row Center): 3-Point Manual Belt 	C
			H: 2WD, 4-wheel ABS, Class E <ul style="list-style-type: none"> • 6 seating capacity - (Driver and Passenger): 3-Point Manual Belts, Frontal Air Bags, Side Air Bags and Curtain Side Air Bags - (1st Row Center): Manual Lap Belt - (2nd Row Outboard): 3-Point Manual Belts and Curtain Side Air Bags - (2nd Row Center): 3-Point Manual Belt 	D
			J: 4WD, 4-wheel ABS, Class F <ul style="list-style-type: none"> • 6 seating capacity - (Driver and Passenger): 3-Point Manual Belts, Frontal Air Bags, Side Air Bags and Curtain Side Air Bags - (1st Row Center): Manual Lap Belt - (2nd Row Outboard): 3-Point Manual Belts and Curtain Side Air Bags - (2nd Row Center): 3-Point Manual Belt 	E
			K: 2WD, 4-wheel ABS, Class F <ul style="list-style-type: none"> • 6 seating capacity - (Driver and Passenger): 3-Point Manual Belts, Frontal Air Bags, Side Air Bags and Curtain Side Air Bags - (1st Row Center): Manual Lap Belt - (2nd Row Outboard): 3-Point Manual Belts and Curtain Side Air Bags - (2nd Row Center): 3-Point Manual Belt 	F
9	*	Check digit	(0 to 9 or X) The code for the check digit is determined by a mathematical computation.	G
10	D	Model year	D: 2013	H
11	N	Manufacturing plant	N: Canton, Mississippi	I
12	XXXXXX	Vehicle serial number	Chassis number	J
13				K
14				L
15				M
16				N
17				O

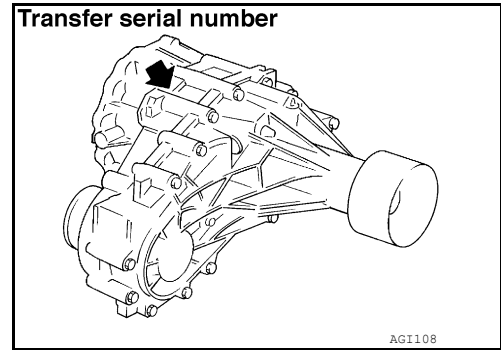
IDENTIFICATION INFORMATION

< FEATURES OF NEW MODEL >

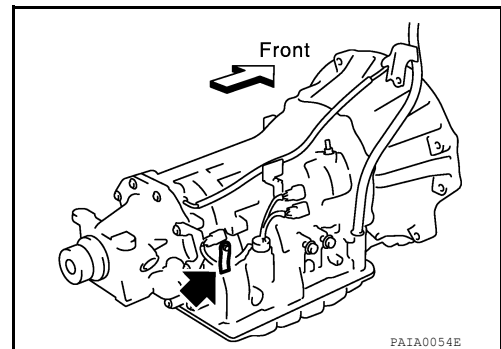
ENGINE SERIAL NUMBER



TRANSFER SERIAL NUMBER



AUTOMATIC TRANSMISSION NUMBER



Dimensions

INFOID:000000007949323

Unit: mm (in)

Drive type		2WD	4WD
Overall length	SWB	5704 (224.6)	
	LWB	6204 (244.2)	
Overall width		2019 (79.5)	
Overall height (King Cab)	SWB	1896 (74.6) S, SV	1934 (76.1) S, SV 1946 (76.6) PRO-4X
	LWB	1891 (74.4) S, SV	1931 (76.0) S, SV
Overall height (Crew Cab)	SWB	1898 (74.7) S, SV 1908 (75.1) SL	1939 (76.3) S, SV 1954 (76.9) PRO-4X 1949 (76.7) SL
	LWB	1898 (74.7) S, SV 1903 (74.9) SL	1939 (76.3) S, SV 1946 (76.6) PRO-4X 1941 (76.4) SL
Front tread width	18 inch tire	1725 (67.9)	
	20 inch tire	1729 (68.1)	

IDENTIFICATION INFORMATION

< FEATURES OF NEW MODEL >

Rear tread width	18 inch tire	1725 (67.9)
	20 inch tire	1729 (68.1)
Wheelbase (SWB)		3550 (139.8)
Wheelbase (LWB)		4050 (159.5)

Unit: mm (in)

	Grade		S		SV		PRO-4X	SL		
	Drive type		2WD	4WD	2WD	4WD	4WD	2WD	4WD	
Minimum running ground clearance measurement	King Cab									
	at rear axle	SWB	260 (10.2)			271 (10.7)		—		
		LWB	259 (10.2)			270 (10.6)		—		
	with skid plates *1	SWB	280 (11.0)			288 (11.3)		—		
		LWB	281 (11.1)			288 (11.3)		—		
	without skid plates *1	SWB	280 (11.0)			—		—		
		LWB	281 (11.1)			—		—		
	Crew Cab									
	at rear axle	SWB	263 (10.4)			273 (10.7)		268 (10.6)		
		LWB	261 (10.3)			272 (10.7)		266 (10.5)		
	with skid plates *1	SWB	282 (11.1)			290 (11.4)		288 (11.3)		
		LWB	283 (11.1)			291 (11.5)		289 (11.4)		
	without skid plates *1	SWB	282 (11.1)			—		288 (11.3)		
		LWB	283 (11.1)			—		289 (11.4)		

*1 measured at front suspension

Wheels & Tires

INFOID:000000007949324

Drive Type	Grade	Road wheel / Offset mm (in)	Tire	Spare tire size
2WD	S	18X8JJ Steel / 25 (1.0)	P265/70R18	P265/70R18
		18X8JJ Alloy / 25 (1.0)	P265/70R18	P265/70R18
	SV	18X8JJ Alloy / 25 (1.0)	P265/70R18	P265/70R18
		18X8JJ Chrome Clad Alloy / 25 (1.0) *1	P265/70R18	P265/70R18
SL	20X8JJ Alloy / 23 (0.9)	P275/60R20	P275/60R20	
4WD	S	18X8JJ Steel / 25 (1.0)	P265/70R18	P265/70R18
		18X8JJ Alloy / 25 (1.0)	P265/70R18	P265/70R18
	SV	18X8JJ Alloy / 25 (1.0)	P265/70R18	P265/70R18
		18X8JJ Chrome Clad Alloy / 25 (1.0) *1	P265/70R18	P265/70R18
	SL	20X8JJ Alloy / 23 (0.9)	P275/60R20	P275/60R20
		20X8JJ Chrome Finish / 23 (0.9) *1	P275/60R20	P275/60R20
PRO-4X	18X8JJ Alloy / 25 (1.0)	P275/70R18	P275/70R18	

*1: optional for Crew Cab models

PRECAUTIONS

< PRECAUTION >

PRECAUTION

PRECAUTIONS

Description

INFOID:000000007949325

Observe the following precautions to ensure safe and proper servicing. These precautions are not described in each individual section.

Precaution for Supplemental Restraint System (SRS) "AIR BAG" and "SEAT BELT PRE-TENSIONER"

INFOID:000000007949326

The Supplemental Restraint System such as "AIR BAG" and "SEAT BELT PRE-TENSIONER", used along with a front seat belt, helps to reduce the risk or severity of injury to the driver and front passenger for certain types of collision. This system includes seat belt switch inputs and dual stage front air bag modules. The SRS system uses the seat belt switches to determine the front air bag deployment, and may only deploy one front air bag, depending on the severity of a collision and whether the front occupants are belted or unbelted. Information necessary to service the system safely is included in the SR and SB section of this Service Manual.

WARNING:

- To avoid rendering the SRS inoperative, which could increase the risk of personal injury or death in the event of a collision which would result in air bag inflation, all maintenance must be performed by an authorized NISSAN/INFINITI dealer.
- Improper maintenance, including incorrect removal and installation of the SRS, can lead to personal injury caused by unintentional activation of the system. For removal of Spiral Cable and Air Bag Module, see the SR section.
- Do not use electrical test equipment on any circuit related to the SRS unless instructed to in this Service Manual. SRS wiring harnesses can be identified by yellow and/or orange harnesses or harness connectors.

PRECAUTIONS WHEN USING POWER TOOLS (AIR OR ELECTRIC) AND HAMMERS

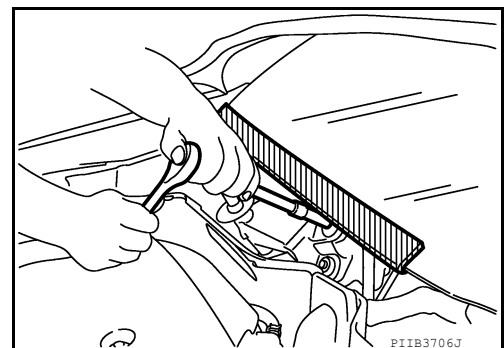
WARNING:

- When working near the Airbag Diagnosis Sensor Unit or other Airbag System sensors with the Ignition ON or engine running, DO NOT use air or electric power tools or strike near the sensor(s) with a hammer. Heavy vibration could activate the sensor(s) and deploy the air bag(s), possibly causing serious injury.
- When using air or electric power tools or hammers, always switch the Ignition OFF, disconnect the battery, and wait at least 3 minutes before performing any service.

Procedures without Cowl Top Cover

INFOID:000000007949327

When performing the procedure after removing cowl top cover, cover the lower end of windshield with urethane, etc.



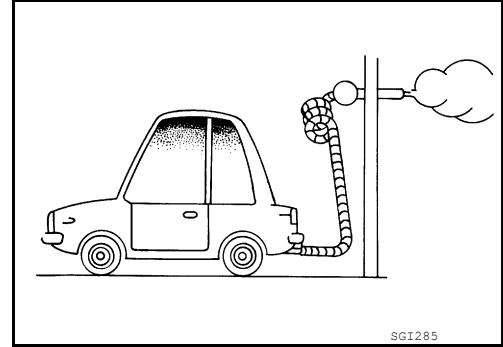
PRECAUTIONS

< PRECAUTION >

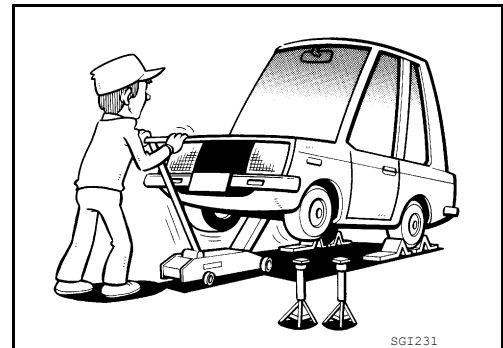
General Precautions

INFOID:000000007949328

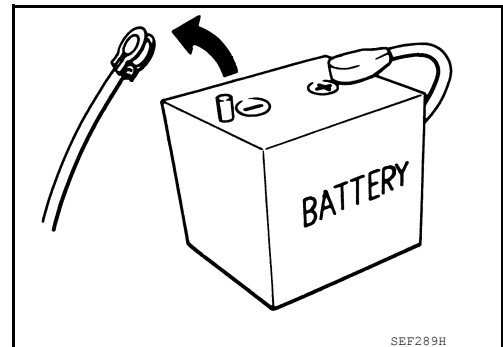
- Do not operate the engine for an extended period of time without proper exhaust ventilation.
Keep the work area well ventilated and free of any inflammable materials. Special care should be taken when handling any inflammable or poisonous materials, such as gasoline, refrigerant gas, etc. When working in a pit or other enclosed area, be sure to properly ventilate the area before working with hazardous materials. Do not smoke while working on the vehicle.



- Before jacking up the vehicle, apply wheel chocks or other tire blocks to the wheels to prevent the vehicle from moving. After jacking up the vehicle, support the vehicle weight with safety stands at the points designated for proper lifting before working on the vehicle.
These operations should be done on a level surface.
- When removing a heavy component such as the engine or transaxle/transmission, be careful not to lose your balance and drop them. Also, do not allow them to strike adjacent parts, especially the brake tubes and master cylinder.



- Before starting repairs which do not require battery power:
Turn off ignition switch.
Disconnect the negative battery terminal.
- If the battery terminals are disconnected, recorded memory of radio and each control unit is erased.



- To prevent serious burns:
Avoid contact with hot metal parts.
Do not remove the radiator cap when the engine is hot.
- Dispose of drained oil or the solvent used for cleaning parts in an appropriate manner.
- Do not attempt to top off the fuel tank after the fuel pump nozzle shuts off automatically.
Continued refueling may cause fuel overflow, resulting in fuel spray and possibly a fire.
- Clean all disassembled parts in the designated liquid or solvent prior to inspection or assembly.
- Replace oil seals, gaskets, packings, O-rings, locking washers, cotter pins, self-locking nuts, etc. with new ones.
- Replace inner and outer races of tapered roller bearings and needle bearings as a set.
- Arrange the disassembled parts in accordance with their assembled locations and sequence.
- Do not touch the terminals of electrical components which use microcomputers (such as ECM).
Static electricity may damage internal electronic components.
- After disconnecting vacuum or air hoses, attach a tag to indicate the proper connection.
- Use only the fluids and lubricants specified in this manual.
- Use approved bonding agent, sealants or their equivalents when required.

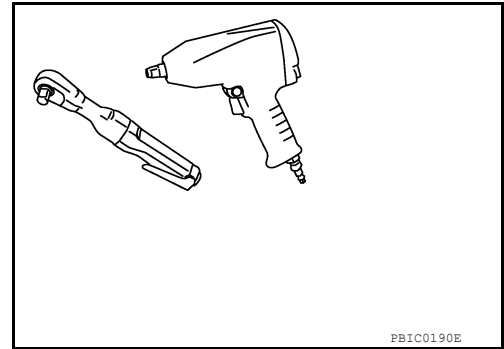


GI
B
C
D
E
F
G
H
I
J
K
L
M
N
O
P

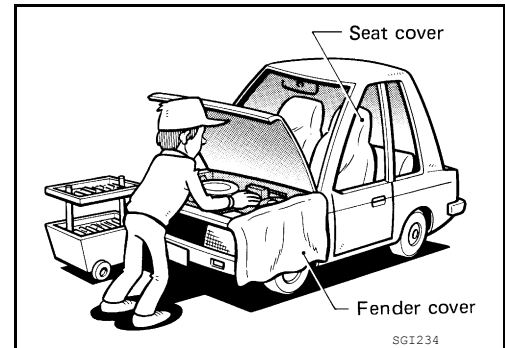
PRECAUTIONS

< PRECAUTION >

- Use hand tools, power tools (disassembly only) and recommended special tools where specified for safe and efficient service repairs.
- When repairing the fuel, oil, water, vacuum or exhaust systems, check all affected lines for leaks.



- Before servicing the vehicle:
Protect fenders, upholstery and carpeting with appropriate covers.
Take caution that keys, buckles or buttons do not scratch paint.



WARNING:

To prevent ECM from storing the diagnostic trouble codes, do not carelessly disconnect the harness connectors which are related to the engine control system and TCM (transmission control module) system. The connectors should be disconnected only when working according to the WORK FLOW of TROUBLE DIAGNOSES in EC and TM sections.

Three Way Catalyst

INFOID:000000007949329

If a large amount of unburned fuel flows into the catalyst, the catalyst temperature will be excessively high. To prevent this, follow the instructions.

- Use unleaded gasoline only. Leaded gasoline will seriously damage the three way catalyst.
- When checking for ignition spark or measuring engine compression, make tests quickly and only when necessary.
- Do not run engine when the fuel tank level is low, otherwise the engine may misfire, causing damage to the catalyst.

Do not place the vehicle on flammable material. Keep flammable material off the exhaust pipe and the three way catalyst.

Precaution for Fuel (Unleaded Regular Gasoline Recommended)

INFOID:000000007949330

Use unleaded regular gasoline with an octane rating of at least 87 AKI (Anti-Knock Index) number (Research octane number 91). E-85 fuel (85% fuel ethanol, 15% unleaded gasoline) may only be used in vehicles specifically designed for E-85 fuel (i.e. Flexible Fuel Vehicle - FFV models.)

CAUTION:

Do not use leaded gasoline. Using leaded gasoline will damage the three way catalyst. Do not use E-85 fuel (85% fuel ethanol, 15% unleaded gasoline) unless the vehicle is specifically designed for E-85 fuel (i.e. Flexible Fuel Vehicle - FFV Models). Using a fuel other than that specified could adversely affect the emission control devices and systems, and could also affect the warranty coverage validity.

PRECAUTIONS

< PRECAUTION >

Multiport Fuel Injection System or Engine Control System

INFOID:000000007949331

- Before connecting or disconnecting any harness connector for the multiport fuel injection system or ECM:
Turn ignition switch to "OFF" position.
Disconnect negative battery terminal.
Otherwise, there may be damage to ECM.
- Before disconnecting pressurized fuel line from fuel pump to injectors, be sure to release fuel pressure.
- Be careful not to jar components such as ECM and mass air flow sensor.

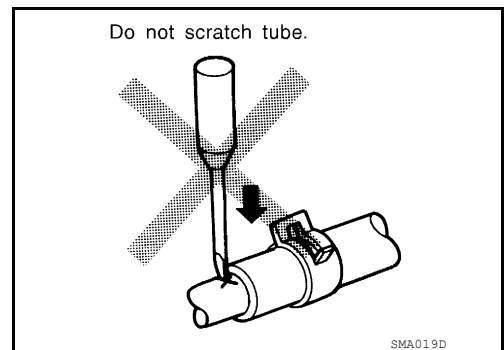


Hoses

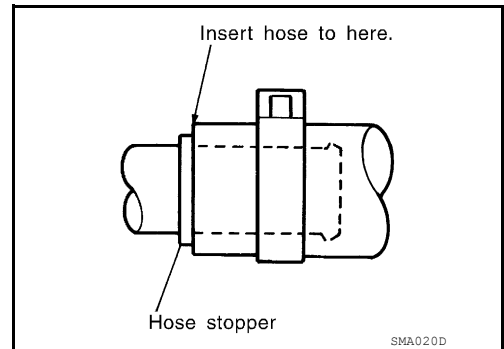
INFOID:000000007949332

HOSE REMOVAL AND INSTALLATION

- To prevent damage to rubber hose, do not pry off rubber hose with tapered tool or screwdriver.

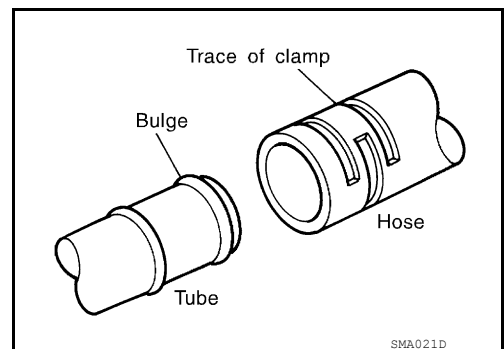


- To reinstall the rubber hose securely, make sure that hose insertion length and orientation is correct. (If tube is equipped with hose stopper, insert rubber hose into tube until it butts up against hose stopper.)



HOSE CLAMPING

- If old rubber hose is re-used, install hose clamp in its original position (at the indentation where the old clamp was). If there is a trace of tube bulging left on the old rubber hose, align rubber hose at that position.
- Discard old clamps; replace with new ones.

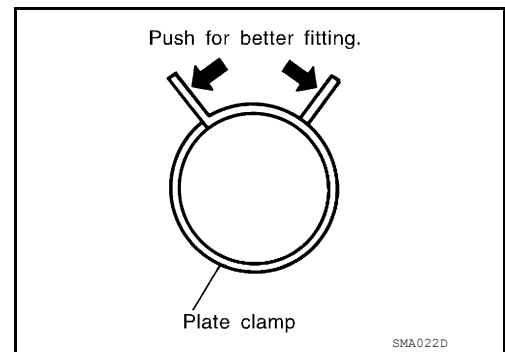


GI
B
C
D
E
F
G
H
I
J
K
L
M
N
O
P

PRECAUTIONS

< PRECAUTION >

- After installing plate clamps, apply force to them in the direction of the arrow, tightening rubber hose equally all around.



Engine Oils

INFOID:000000007949333

Prolonged and repeated contact with used engine oil may cause skin cancer. Try to avoid direct skin contact with used oil.

If skin contact is made, wash thoroughly with soap or hand cleaner as soon as possible.

HEALTH PROTECTION PRECAUTIONS

- Avoid prolonged and repeated contact with oils, particularly used engine oils.
- Wear protective clothing, including impervious gloves where practicable.
- Do not put oily rags in pockets.
- Avoid contaminating clothes, particularly underpants, with oil.
- Heavily soiled clothing and oil-impregnated footwear should not be worn. Overalls must be cleaned regularly.
- First aid treatment should be obtained immediately for open cuts and wounds.
- Use barrier creams, applying them before each work period, to help the removal of oil from the skin.
- Wash with soap and water to ensure all oil is removed (skin cleansers and nail brushes will help). Preparations containing lanolin replace the natural skin oils which have been removed.
- Do not use gasoline, kerosene, diesel fuel, gas oil, thinners or solvents for cleaning skin.
- If skin disorders develop, obtain medical advice without delay.
- Where practical, degrease components prior to handling.
- Where there is a risk of eye contact, eye protection should be worn, for example, chemical goggles or face shields; in addition an eye wash facility should be provided.

ENVIRONMENTAL PROTECTION PRECAUTIONS

Dispose of used oil and used oil filters through authorized waste disposal contractors to licensed waste disposal sites, or to the waste oil reclamation trade. If in doubt, contact the local authority for advice on disposal facilities.

It is illegal to pour used oil on to the ground, down sewers or drains, or into water sources.

The regulations concerning pollution vary between regions.

Air Conditioning

INFOID:000000007949334

Use an approved refrigerant recovery unit any time the air conditioning system must be discharged. Refer to [HA-20. "HFC-134a \(R-134a\) Service Procedure"](#).

LIFTING POINT

< PRECAUTION >

LIFTING POINT

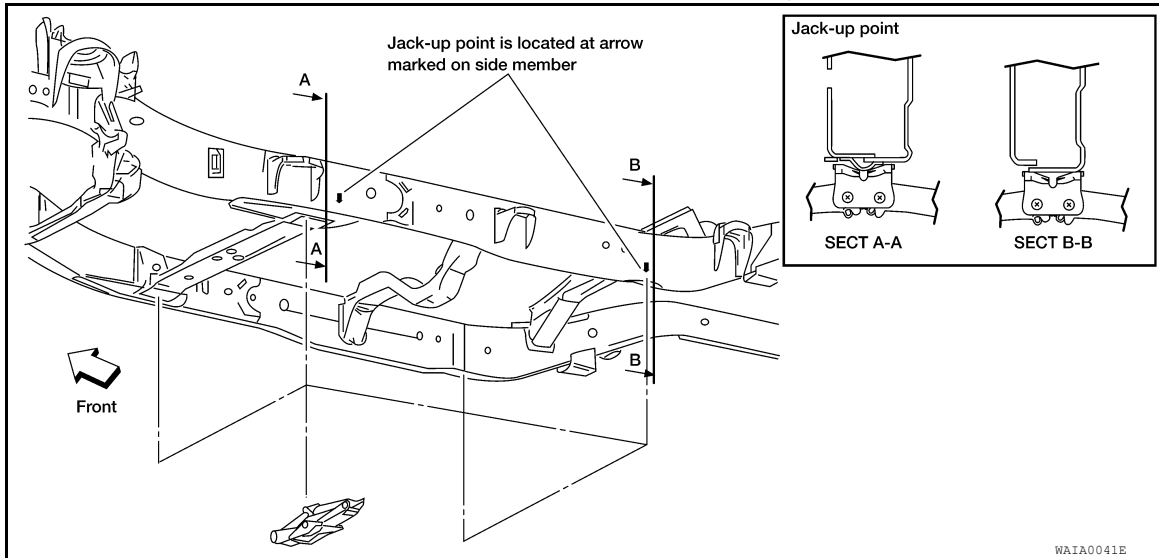
Pantograph Jack

INFOID:000000007949335

GI

WARNING:

- Never get under the vehicle while it is supported only by the jack. Always use safety stands to support the frame when you have to get under the vehicle.
- Place wheel chocks at both front and back of the wheels on the ground.



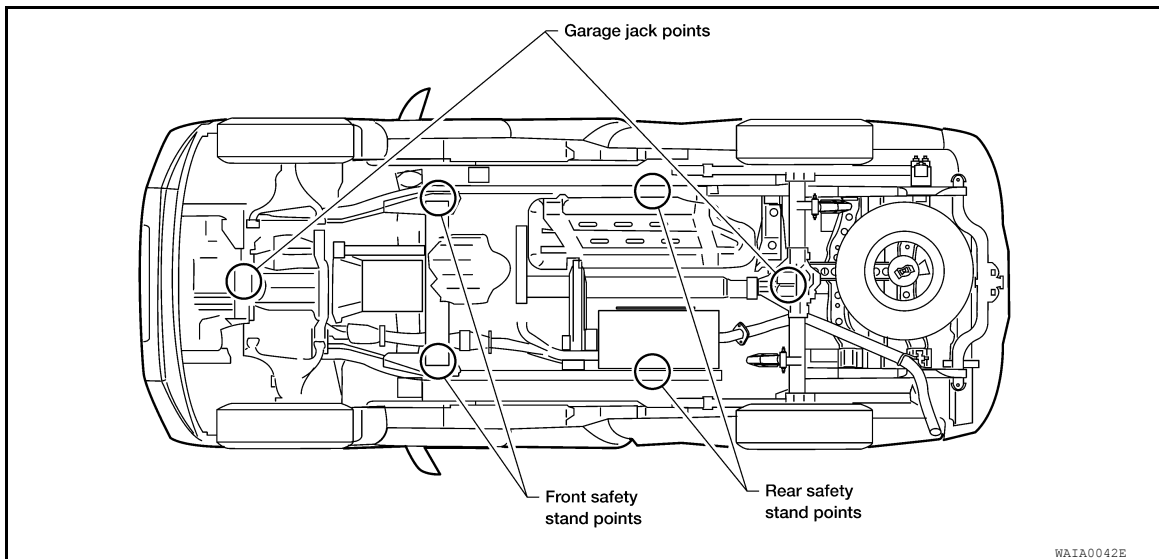
B
C
D
E
F
G
H

Garage Jack and Safety Stand

INFOID:000000007949336

CAUTION:

Place a wooden or rubber block between safety stand and vehicle body when the supporting body is flat.



I
J
K
L
M
N
O

2-Pole Lift

INFOID:000000007949337

WARNING:

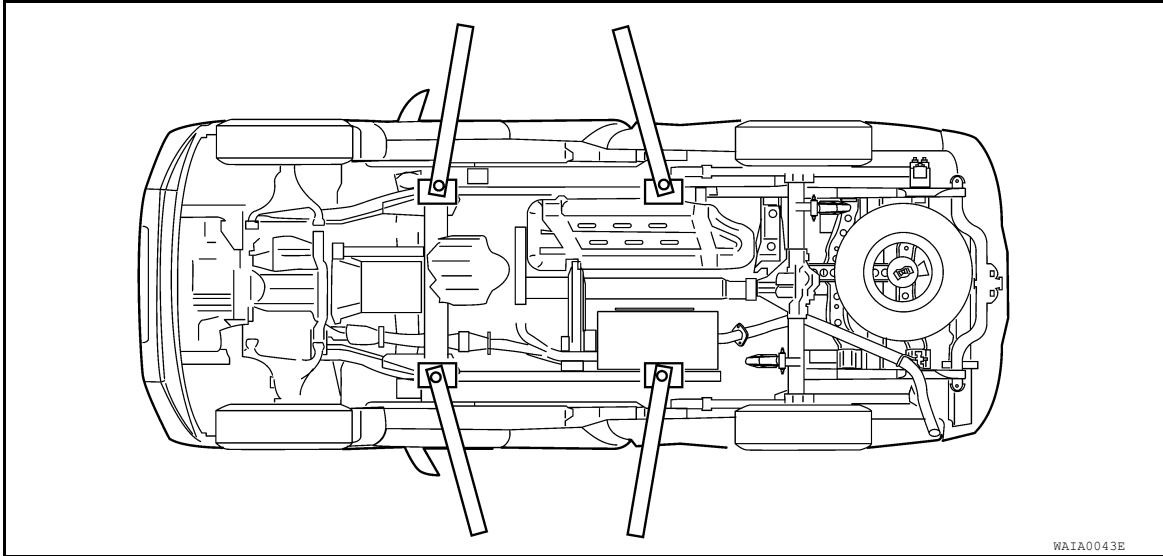
- When lifting the vehicle, open the lift arms as wide as possible and ensure that the front and rear of the vehicle are well balanced.

P

LIFTING POINT

< PRECAUTION >

- When setting the lift arm, do not allow the arm to contact the brake tubes, brake cable, or fuel lines.



TOW TRUCK TOWING

< PRECAUTION >

TOW TRUCK TOWING

Tow Truck Towing

INFOID:000000007949338

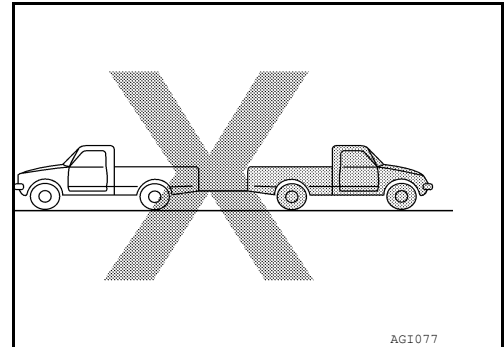
GI

WARNING:

- Never get under the vehicle while it is supported only by the jack. Always use safety stands to support the frame when you have to get under the vehicle.
- Place wheel chocks at both front and back of the wheels on the ground.

CAUTION:

- All applicable State or Provincial (in Canada) laws and local laws regarding the towing operation must be obeyed.
- It is necessary to use proper towing equipment to avoid possible damage during towing operation. Towing is in accordance with Towing Procedure Manual at dealer.
- Always attach safety chains before towing.
- When towing, make sure that the transmission, steering system and power train are in good order. If any unit is damaged, dollies must be used.
- Never tow an automatic transmission model from the rear (i.e., backward) with four wheels on the ground as this may cause serious and expensive damage to the transmission.

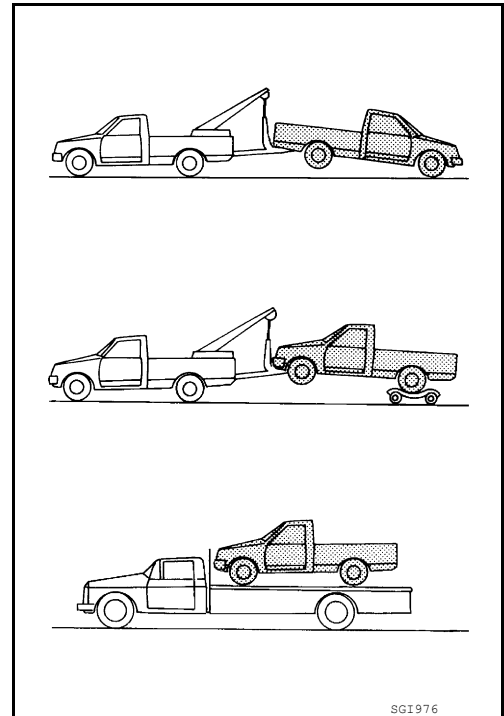


2WD MODEL

NISSAN does not recommend towing automatic transmission equipped vehicles with the drive wheels on the ground.

CAUTION:

- When towing with the front wheels on the ground: Turn the ignition key to the OFF position and move the transmission shift selector to the neutral position. On automatic transmission models, to move the shift selector to N (neutral) position, turn the ignition key to OFF position and secure the steering wheel in a straight ahead position with a rope or similar device. Never place the ignition key in the LOCK position. This will result in damage to the steering lock mechanism.



B

C

D

E

F

G

H

I

J

K

L

M

N

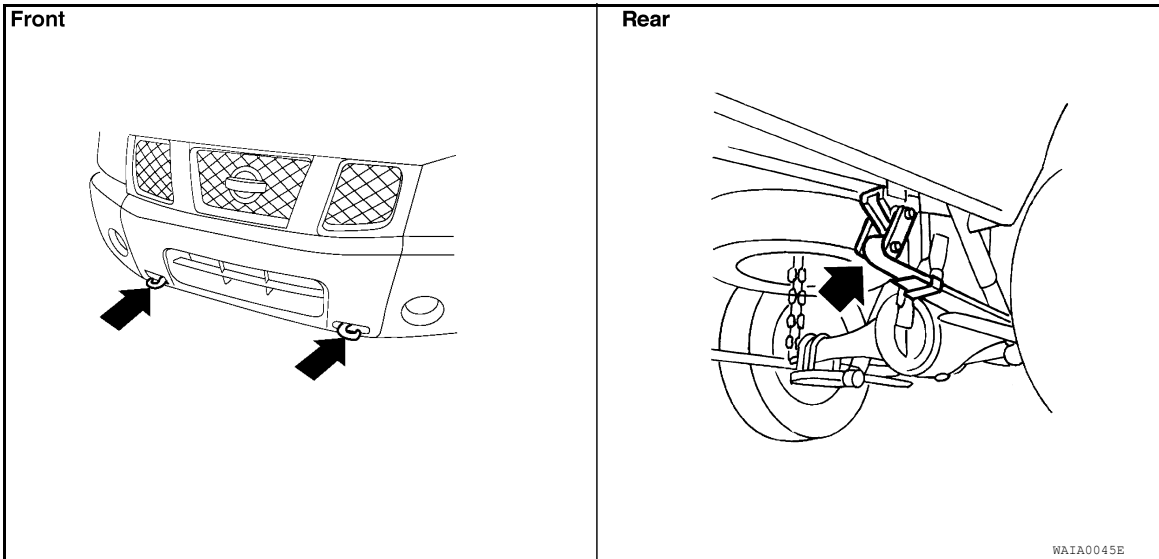
O

P

TOW TRUCK TOWING

< PRECAUTION >

Towing Point



CAUTION:

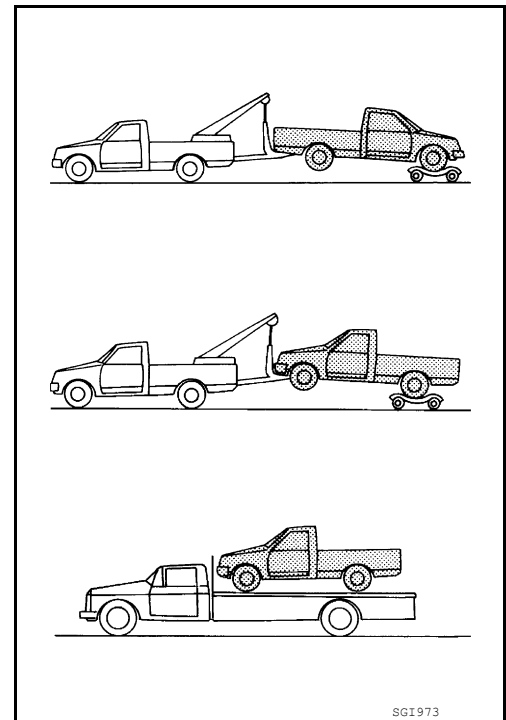
Never tow the vehicle using only the towing points. To avoid damaging the vehicle body, use proper towing equipment when towing.

4WD MODEL

NISSAN does not recommend towing automatic transmission equipped vehicles with the drive wheels on the ground.

CAUTION:

- Never tow 4WD models with any of the tires on the ground as this may cause serious and expensive damage to the transfer case and transmission.



Vehicle Recovery (Freeing a stuck vehicle)

INFOID:000000007949339

- Tow chains or cables must be attached only to the main structural members of the vehicle.
- Pulling devices should be routed so they do not touch any part of the suspension, steering, brake or cooling systems
- Always pull the cable straight out from the front or rear of the vehicle. Never pull the vehicle at a sideways angle.
- Pulling devices such as ropes or canvas straps are not recommended for use for vehicle towing or recovery.

CONSULT CHECKING SYSTEM

< WIRING DIAGRAM >

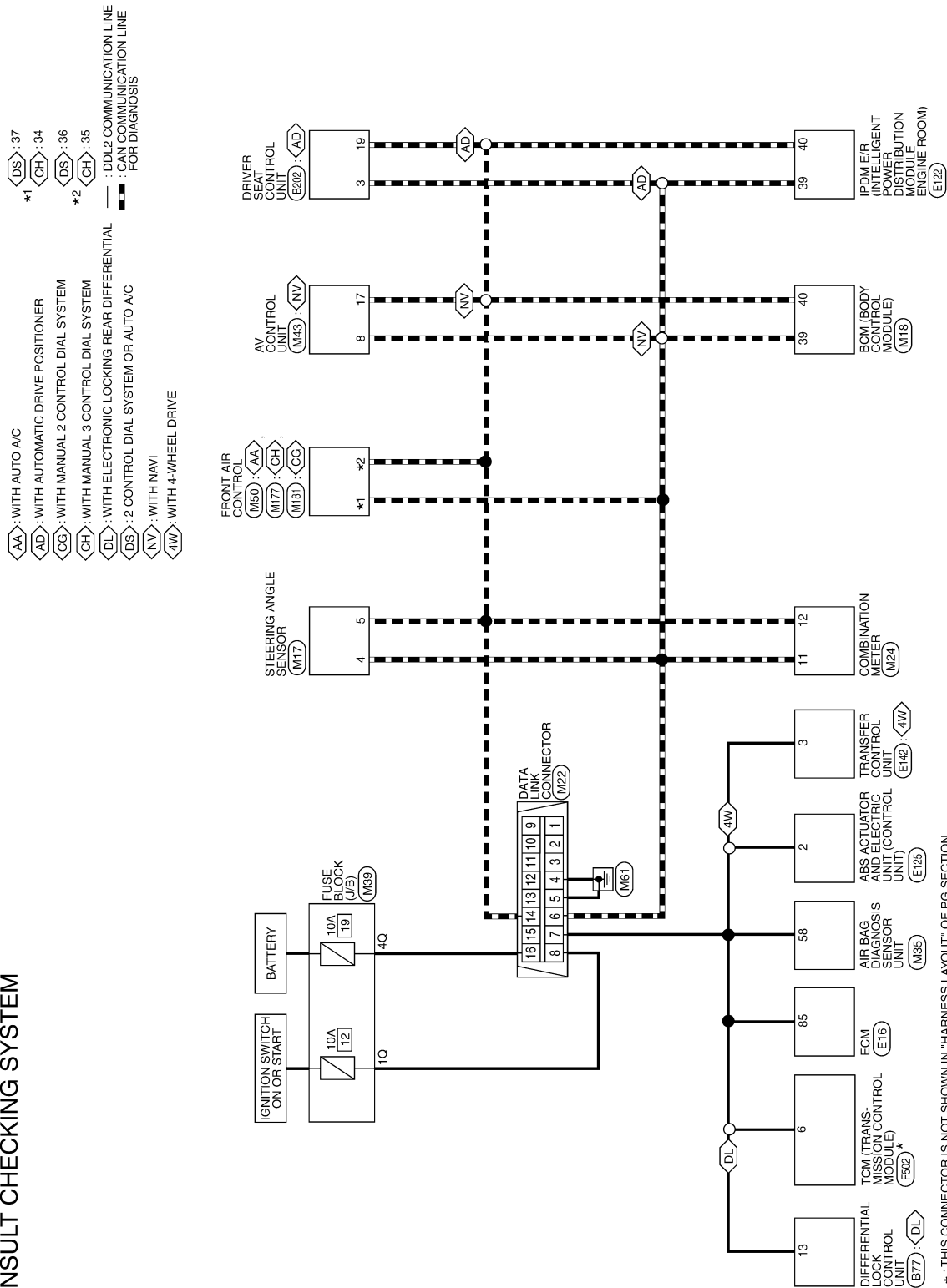
WIRING DIAGRAM

CONSULT CHECKING SYSTEM

Wiring Diagram

INFOID:000000007949348

CONSULT CHECKING SYSTEM



*: THIS CONNECTOR IS NOT SHOWN IN "HARNES LAYOUT" OF PG SECTION.

ABAWA01193B

SERVICE INFORMATION FOR ELECTRICAL INCIDENT

< BASIC INSPECTION >

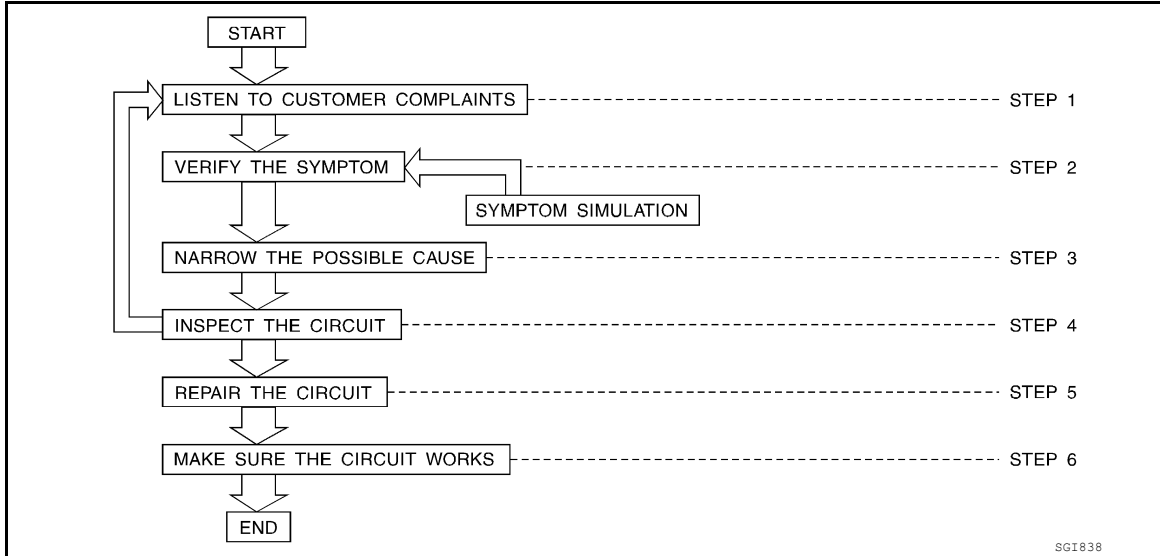
BASIC INSPECTION

SERVICE INFORMATION FOR ELECTRICAL INCIDENT

Work Flow

INFOID:000000007949340

WORK FLOW



STEP	DESCRIPTION	
STEP 1	Get detailed information about the conditions and the environment when the incident occurred. The following are key pieces of information required to make a good analysis:	
	WHAT	Vehicle Model, Engine, Transmission/Transaxle and the System (i.e. Radio).
	WHEN	Date, Time of Day, Weather Conditions, Frequency.
	WHERE	Road Conditions, Altitude and Traffic Situation.
STEP 2	HOW	System Symptoms, Operating Conditions (Other Components Interaction). Service History and if any After Market Accessories have been installed.
	Operate the system, road test if necessary. Verify the parameter of the incident. If the problem cannot be duplicated, refer to "Incident Simulation Tests".	
STEP 3	Get the proper diagnosis materials together including: <ul style="list-style-type: none"> • Power Supply Routing • System Operation Descriptions • Applicable Service Manual Sections • Check for any Service Bulletins Identify where to begin diagnosis based upon your knowledge of the system operation and the customer comments.	
STEP 4	Inspect the system for mechanical binding, loose connectors or wiring damage. Determine which circuits and components are involved and diagnose using the Power Supply Routing and Harness Layouts.	
STEP 5	Repair or replace the incident circuit or component.	
STEP 6	Operate the system in all modes. Verify the system works properly under all conditions. Make sure you have not inadvertently created a new incident during your diagnosis or repair steps.	

Control Units and Electrical Parts

INFOID:000000007949341

PRECAUTIONS

- Never reverse polarity of battery terminals.
- Install only parts specified for a vehicle.
- Before replacing the control unit, check the input and output and functions of the component parts.
- Do not apply excessive force when disconnecting a connector.

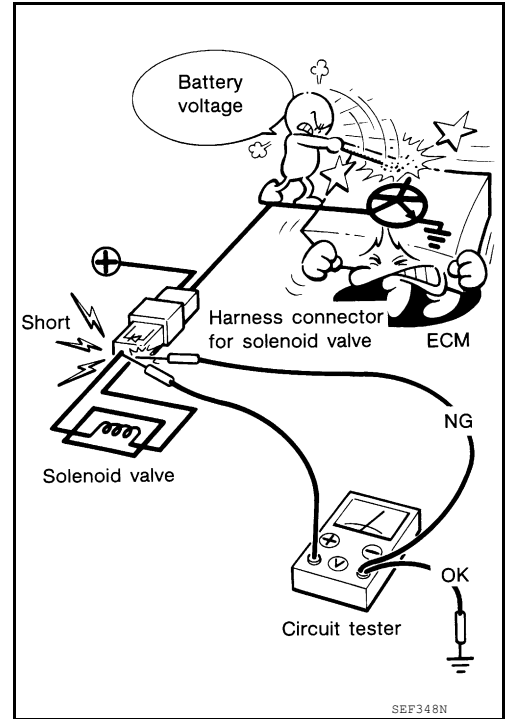
SERVICE INFORMATION FOR ELECTRICAL INCIDENT

< BASIC INSPECTION >

- Do not apply excessive shock to the control unit by dropping or hitting it.
- Be careful to prevent condensation in the control unit due to rapid temperature changes and do not let water or rain get on it. If water is found in the control unit, dry it fully and then install it in the vehicle.
- Be careful not to let oil get on the control unit connector.
- Avoid cleaning the control unit with volatile oil.
- Do not disassemble the control unit, and do not remove the upper and lower covers.



- When using a DMM, be careful not to let test probes get close to each other to prevent the power transistor in the control unit from damaging battery voltage because of short circuiting.
- When checking input and output signals of the control unit, use the specified check adapter.



How to Check Terminal

INFOID:000000007949342

CONNECTOR AND TERMINAL PIN KIT

- Use the connector and terminal pin kits listed below when replacing connectors or terminals.
- The connector and terminal pin kits contain some of the most commonly used NISSAN/INFINITI connectors and terminals. For detailed connector and terminal pin replacement procedures, refer to the latest NISSAN/INFINITI CONNECTOR AND TERMINAL PIN SERVICE MANUAL.

GI
B
C
D
E
F
G
H
I
J
K
L
M
N
O
P

SERVICE INFORMATION FOR ELECTRICAL INCIDENT

< BASIC INSPECTION >

Tool number (Kent-Moore No.) Tool name	Description
- (J38751-95NI) Connector and terminal pin kit (NISSAN) - (J38751-95INF) Connector and terminal pin kit (INFINITI) - (J42992-98KIT) OBD and terminal repair kit - (J42992-2000UPD) OBD-II Connector Kit Up- date	<p style="text-align: center;"> J38751-95NI J38751-95INF J42992-98KIT J42992-2000UPD </p> <p style="text-align: center;"> WAIA0004E WAIA0005E </p>

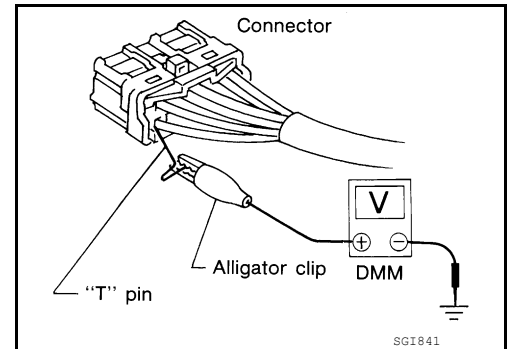
HOW TO PROBE CONNECTORS

- Connector damage and an intermittent connection can result from improperly probing of the connector during circuit checks.
- The probe of a digital multimeter (DMM) may not correctly fit the connector cavity. To correctly probe the connector, follow the procedures below using a "T" pin. For the best contact grasp the "T" pin using an alligator clip.

Probing from Harness Side

Standard type (not waterproof type) connector should be probed from harness side with "T" pin.

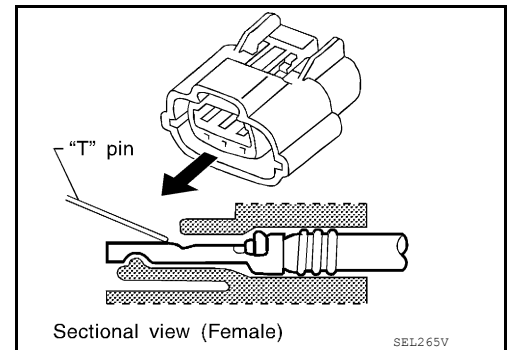
- If the connector has a rear cover such as a ECM connector, remove the rear cover before probing the terminal.
- Do not probe waterproof connector from harness side. Damage to the seal between wire and connector may result.



Probing from Terminal Side

FEMALE TERMINAL

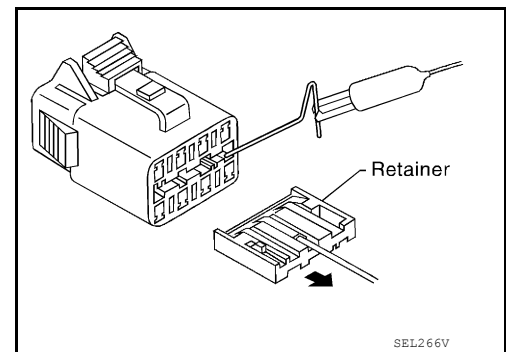
- There is a small notch above each female terminal. Probe each terminal with the "T" pin through the notch. Do not insert any object other than the same type male terminal into female terminal.



SERVICE INFORMATION FOR ELECTRICAL INCIDENT

< BASIC INSPECTION >

- Some connectors do not have a notch above each terminal. To probe each terminal, remove the connector retainer to make contact space for probing.

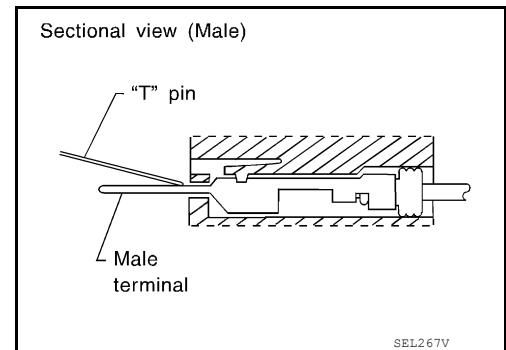


MALE TERMINAL

- Carefully probe the contact surface of each terminal using a "T" pin.

CAUTION:

Dot not bend terminal.



How to Check Enlarged Contact Spring of Terminal

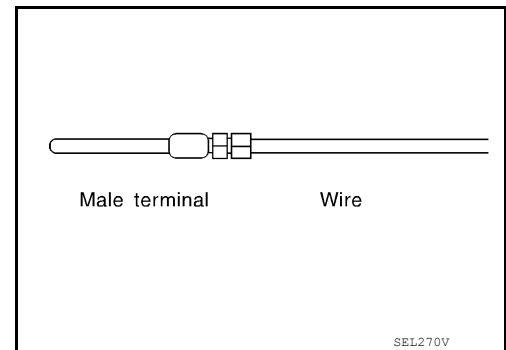
- An enlarged contact spring of a terminal may create intermittent signals in the circuit.
- If the intermittent open circuit occurs, follow the procedure below to inspect for open wires and enlarged contact spring of female terminal.

- Assemble a male terminal and approx. 10 cm (3.9 in) of wire.

NOTE:

Use a male terminal which matches the female terminal.

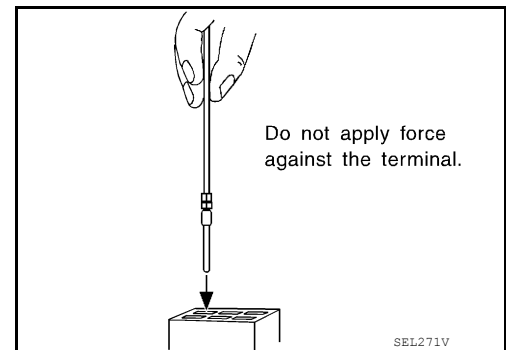
- Disconnect the suspected faulty connector and hold it terminal side up.



- While holding the wire of the male terminal, try to insert the male terminal into the female terminal.

CAUTION:

Do not force the male terminal into the female terminal with your hands.

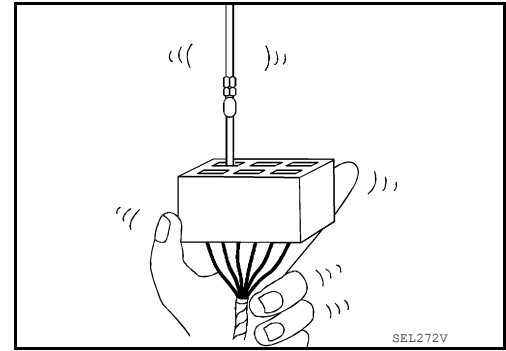


GI
B
C
D
E
F
G
H
I
J
K
L
M
N
O
P

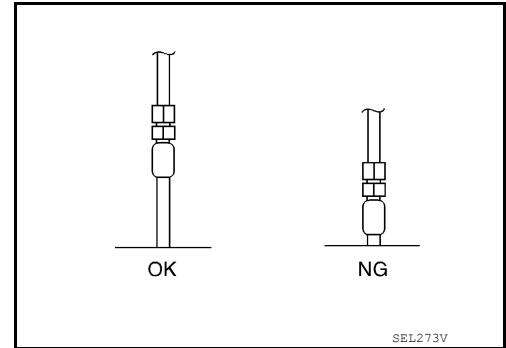
SERVICE INFORMATION FOR ELECTRICAL INCIDENT

< BASIC INSPECTION >

4. While moving the connector, check whether the male terminal can be easily inserted or not.



- If the male terminal can be easily inserted into the female terminal, replace the female terminal.

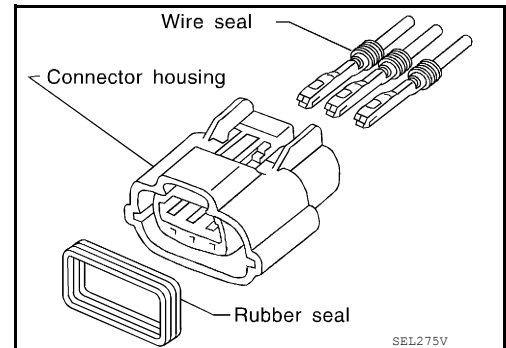


Waterproof Connector Inspection

If water enters the connector, it can short interior circuits. This may lead to intermittent problems. Check the following items to maintain the original waterproof characteristics.

RUBBER SEAL INSPECTION

- Most waterproof connectors are provided with a rubber seal between the male and female connectors. If the seal is missing, the waterproof performance may not meet specifications.
- The rubber seal may come off when connectors are disconnected. Whenever connectors are reconnected, make sure the rubber seal is properly installed on either side of male or female connector.

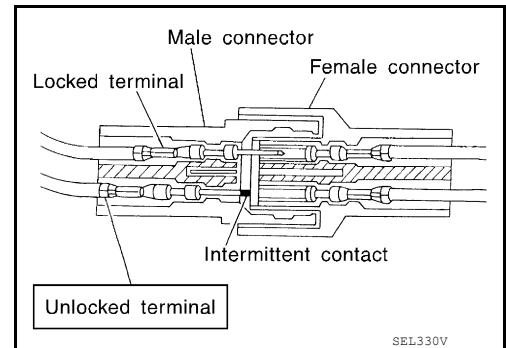


WIRE SEAL INSPECTION

- The wire seal must be installed on the wire insertion area of a waterproof connector. Be sure that the seal is installed properly.

Terminal Lock Inspection

Check for unlocked terminals by pulling wire at the end of connector. An unlocked terminal may create intermittent signals in the circuit.



Intermittent Incident

INFOID:000000007949343

DESCRIPTION

Sometimes the symptom is not present when the vehicle is brought in for service. If possible, re-create the conditions present at the time of the incident. Doing so may help avoid a No Trouble Found Diagnosis. The fol-

SERVICE INFORMATION FOR ELECTRICAL INCIDENT

< BASIC INSPECTION >

Following section illustrates ways to simulate the conditions/environment under which the owner experiences an electrical incident.

The section is broken into the six following topics:

- Vehicle vibration
- Heat sensitive
- Freezing
- Water intrusion
- Electrical load
- Cold or hot start up

Get a thorough description of the incident from the customer. It is important for simulating the conditions of the problem.

VEHICLE VIBRATION

The problem may occur or become worse while driving on a rough road or when engine is vibrating (idle with A/C on). In such a case, you will want to check for a vibration related condition. Refer to the following illustration.

Connector & Harness

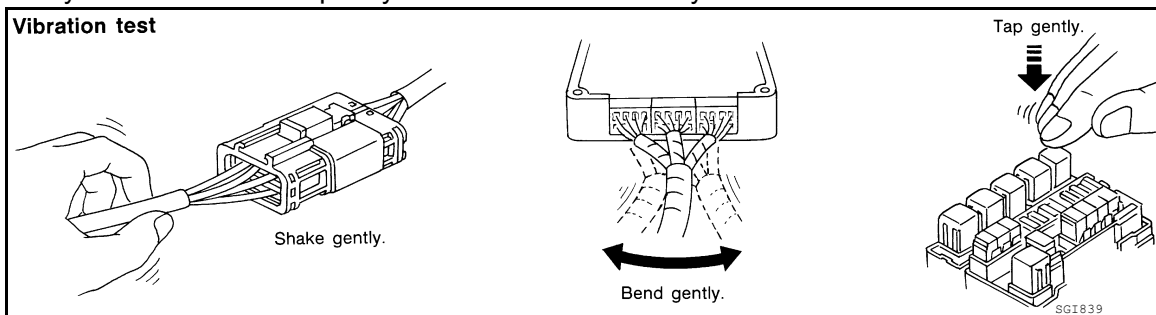
Determine which connectors and wiring harness would affect the electrical system you are inspecting. Gently shake each connector and harness while monitoring the system for the incident you are trying to duplicate. This test may indicate a loose or poor electrical connection.

Hint

Connectors can be exposed to moisture. It is possible to get a thin film of corrosion on the connector terminals. A visual inspection may not reveal this without disconnecting the connector. If the problem occurs intermittently, perhaps the problem is caused by corrosion. It is a good idea to disconnect, inspect and clean the terminals on related connectors in the system.

Sensor & Relay

Gently apply a slight vibration to sensors and relays in the system you are inspecting. This test may indicate a loose or poorly mounted sensor or relay.



Engine Compartment

There are several reasons a vehicle or engine vibration could cause an electrical complaint. Some of the things to check for are:

- Connectors not fully seated.
- Wiring harness not long enough and is being stressed due to engine vibrations or rocking.
- Wires laying across brackets or moving components.
- Loose, dirty or corroded ground wires.
- Wires routed too close to hot components.

To inspect components under the hood, start by verifying the integrity of ground connections. (Refer to Ground Inspection described later.) First check that the system is properly grounded. Then check for loose connection by gently shaking the wiring or components as previously explained. Using the wiring diagrams inspect the wiring for continuity.

Behind the Instrument Panel

An improperly routed or improperly clamped harness can become pinched during accessory installation. Vehicle vibration can aggravate a harness which is routed along a bracket or near a screw.

Under Seating Areas

SERVICE INFORMATION FOR ELECTRICAL INCIDENT

< BASIC INSPECTION >

An unclamped or loose harness can cause wiring to be pinched by seat components (such as slide guides) during vehicle vibration. If the wiring runs under seating areas, inspect wire routing for possible damage or pinching.

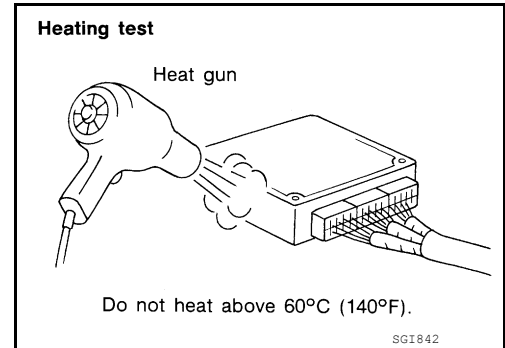
HEAT SENSITIVE

- The customer's concern may occur during hot weather or after car has sat for a short time. In such cases you will want to check for a heat sensitive condition.
- To determine if an electrical component is heat sensitive, heat the component with a heat gun or equivalent.

CAUTION:

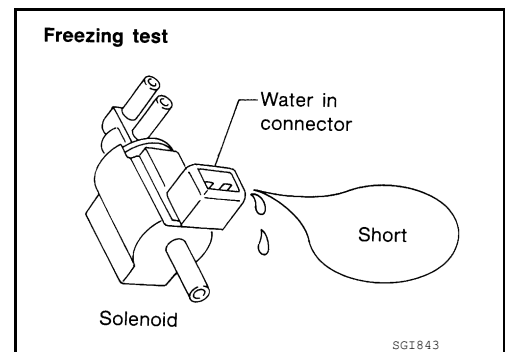
Do not heat components above 60°C (140°).

- If incident occurs while heating the unit, either replace or properly insulate the component.



FREEZING

- The customer may indicate the incident goes away after the car warms up (winter time). The cause could be related to water freezing somewhere in the wiring/electrical system.
- There are two methods to check for this. The first is to arrange for the owner to leave his car overnight. Make sure it will get cold enough to demonstrate his complaint. Leave the car parked outside overnight. In the morning, do a quick and thorough diagnosis of those electrical components which could be affected.
- The second method is to put the suspect component into a freezer long enough for any water to freeze. Reinstall the part into the car and check for the reoccurrence of the incident. If it occurs, repair or replace the component.

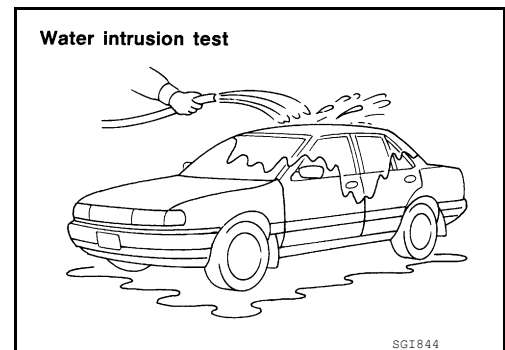


WATER INTRUSION

The incident may occur only during high humidity or in rainy/snowy weather. In such cases the incident could be caused by water intrusion on an electrical part. This can be simulated by soaking the car or running it through a car wash.

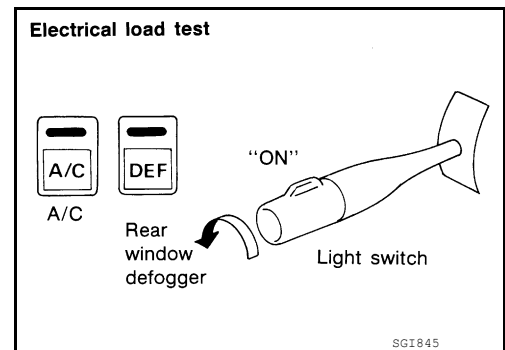
CAUTION:

Do not spray water directly on any electrical components.



ELECTRICAL LOAD

The incident may be electrical load sensitive. Perform diagnosis with all accessories (including A/C, rear window defogger, radio, fog lamps) turned on.



COLD OR HOT START UP

On some occasions an electrical incident may occur only when the car is started cold, or it may occur when the car is restarted hot shortly after being turned off. In these cases you may have to keep the car overnight to make a proper diagnosis.

SERVICE INFORMATION FOR ELECTRICAL INCIDENT

< BASIC INSPECTION >

Circuit Inspection

INFOID:000000007949344

GI

DESCRIPTION

- In general, testing electrical circuits is an easy task if it is approached in a logical and organized method. Before beginning it is important to have all available information on the system to be tested. Also, get a thorough understanding of system operation. Then you will be able to use the appropriate equipment and follow the correct test procedure.
- You may have to simulate vehicle vibrations while testing electrical components. Gently shake the wiring harness or electrical component to do this.

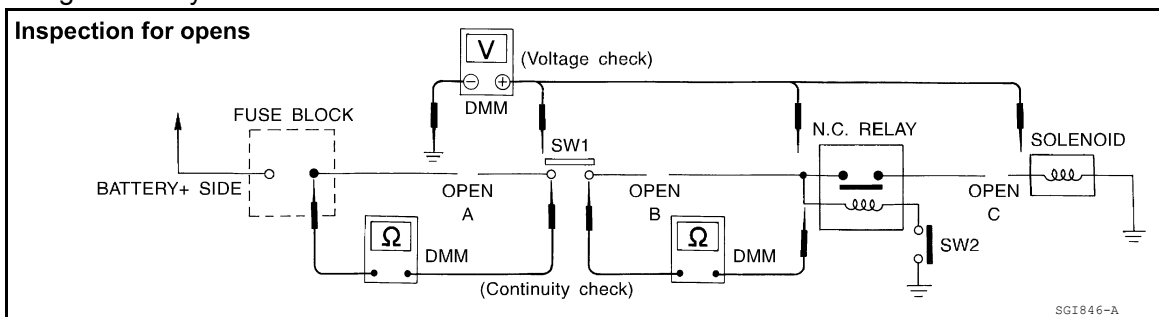
OPEN	A circuit is open when there is no continuity through a section of the circuit.	
SHORT	There are two types of shorts.	
	• SHORT CIRCUIT	When a circuit contacts another circuit and causes the normal resistance to change.
	• SHORT TO GROUND	When a circuit contacts a ground source and grounds the circuit.

NOTE:

Refer to [GI-39, "How to Check Terminal"](#) to probe or check terminal.

TESTING FOR "OPENS" IN THE CIRCUIT

Before you begin to diagnose and test the system, you should rough sketch a schematic of the system. This will help you to logically walk through the diagnosis process. Drawing the sketch will also reinforce your working knowledge of the system.



Continuity Check Method

The continuity check is used to find an open in the circuit. The digital multimeter (DMM) set on the resistance function will indicate an open circuit as over limit (no beep tone or no ohms symbol). Make sure to always start with the DMM at the highest resistance level.

To help in understanding the diagnosis of open circuits, please refer to the previous schematic.

- Disconnect the battery negative cable.
- Start at one end of the circuit and work your way to the other end. (At the fuse block in this example)
- Connect one probe of the DMM to the fuse block terminal on the load side.
- Connect the other probe to the fuse block (power) side of SW1. Little or no resistance will indicate that portion of the circuit has good continuity. If there were an open in the circuit, the DMM would indicate an over limit or infinite resistance condition. (point A)
- Connect the probes between SW1 and the relay. Little or no resistance will indicate that portion of the circuit has good continuity. If there were an open in the circuit, the DMM would indicate an over limit or infinite resistance condition. (point B)
- Connect the probes between the relay and the solenoid. Little or no resistance will indicate that portion of the circuit has good continuity. If there were an open in the circuit, the DMM would indicate an over limit or infinite resistance condition. (point C)

Any circuit can be diagnosed using the approach in the previous example.

Voltage Check Method

To help in understanding the diagnosis of open circuits please refer to the previous schematic.

In any powered circuit, an open can be found by methodically checking the system for the presence of voltage. This is done by switching the DMM to the voltage function.

- Connect one probe of the DMM to a known good ground.
- Begin probing at one end of the circuit and work your way to the other end.
- With SW1 open, probe at SW1 to check for voltage. voltage; open is further down the circuit than SW1.

B

C

D

E

F

G

H

I

J

K

L

M

N

O

P

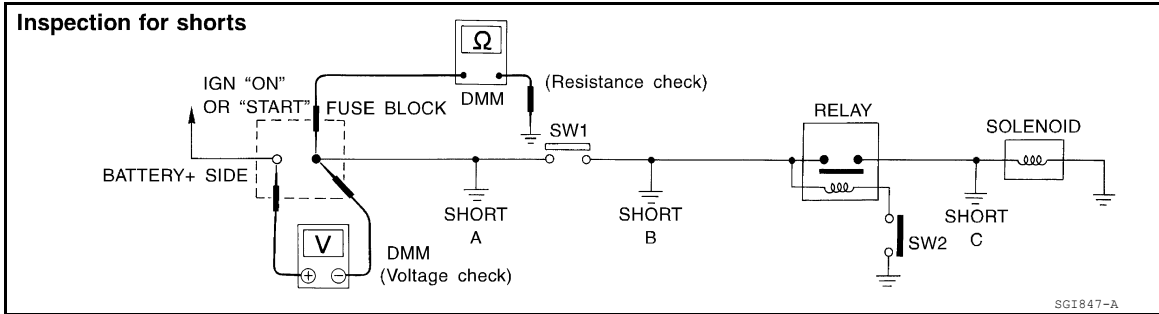
SERVICE INFORMATION FOR ELECTRICAL INCIDENT

< BASIC INSPECTION >

- no voltage; open is between fuse block and SW1 (point A).
 - Close SW1 and probe at relay.
 - voltage; open is further down the circuit than the relay.
 - no voltage; open is between SW1 and relay (point B).
 - Close the relay and probe at the solenoid.
 - voltage; open is further down the circuit than the solenoid.
 - no voltage; open is between relay and solenoid (point C).
- Any powered circuit can be diagnosed using the approach in the previous example.

TESTING FOR "SHORTS" IN THE CIRCUIT

To simplify the discussion of shorts in the system, please refer to the following schematic.



Resistance Check Method

- Disconnect the battery negative cable and remove the blown fuse.
- Disconnect all loads (SW1 open, relay disconnected and solenoid disconnected) powered through the fuse.
- Connect one probe of the DMM to the load side of the fuse terminal. Connect the other probe to a known good ground.
- With SW1 open, check for continuity.
 - continuity; short is between fuse terminal and SW1 (point A).
 - no continuity; short is further down the circuit than SW1.
- Close SW1 and disconnect the relay. Put probes at the load side of fuse terminal and a known good ground. Then, check for continuity.
 - continuity; short is between SW1 and the relay (point B).
 - no continuity; short is further down the circuit than the relay.
- Close SW1 and jump the relay contacts with jumper wire. Put probes at the load side of fuse terminal and a known good ground. Then, check for continuity.
 - continuity; short is between relay and solenoid (point C).
 - no continuity; check solenoid, retrace steps.

Voltage Check Method

- Remove the blown fuse and disconnect all loads (i.e. SW1 open, relay disconnected and solenoid disconnected) powered through the fuse.
- Turn the ignition key to the ON or START position. Verify battery voltage at the battery + side of the fuse terminal (one lead on the battery + terminal side of the fuse block and one lead on a known good ground).
- With SW1 open and the DMM leads across both fuse terminals, check for voltage.
 - voltage; short is between fuse block and SW1 (point A).
 - no voltage; short is further down the circuit than SW1.
- With SW1 closed, relay and solenoid disconnected and the DMM leads across both fuse terminals, check for voltage.
 - voltage; short is between SW1 and the relay (point B).
 - no voltage; short is further down the circuit than the relay.
- With SW1 closed, relay contacts jumped with fused jumper wire check for voltage.
 - voltage; short is down the circuit of the relay or between the relay and the disconnected solenoid (point C).
 - no voltage; retrace steps and check power to fuse block.

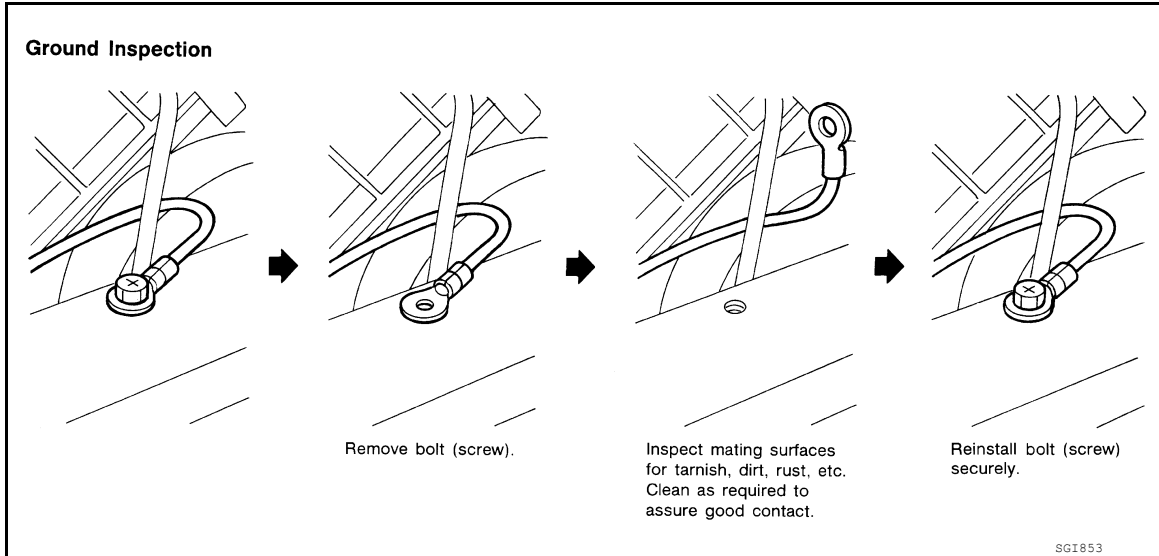
GROUND INSPECTION

- Ground connections are very important to the proper operation of electrical and electronic circuits. Ground connections are often exposed to moisture, dirt and other corrosive elements. The corrosion (rust) can become an unwanted resistance. This unwanted resistance can change the way a circuit works.
- Electronically controlled circuits are very sensitive to proper grounding. A loose or corroded ground can drastically affect an electronically controlled circuit. A poor or corroded ground can easily affect the circuit. Even when the ground connection looks clean, there can be a thin film of rust on the surface.

SERVICE INFORMATION FOR ELECTRICAL INCIDENT

< BASIC INSPECTION >

- When inspecting a ground connection follow these rules:
 - Remove the ground bolt or screw.
 - Inspect all mating surfaces for tarnish, dirt, rust, etc.
 - Clean as required to assure good contact.
 - Reinstall bolt or screw securely.
- Inspect for “add-on” accessories which may be interfering with the ground circuit.
- If several wires are crimped into one ground eyelet terminal, check for proper crimps. Make sure all of the wires are clean, securely fastened and providing a good ground path. If multiple wires are cased in one eyelet make sure no ground wires have excess wire insulation.
- For detailed ground distribution information, refer to “Ground Distribution” in PG section.



VOLTAGE DROP TESTS

- Voltage drop tests are often used to find components or circuits which have excessive resistance. A voltage drop in a circuit is caused by a resistance when the circuit is in operation.
- Check the wire in the illustration. When measuring resistance with DMM, contact by a single strand of wire will give reading of 0 ohms. This would indicate a good circuit. When the circuit operates, this single strand of wire is not able to carry the current. The single strand will have a high resistance to the current. This will be picked up as a slight voltage drop.
- Unwanted resistance can be caused by many situations as follows:
 - Undersized wiring (single strand example)
 - Corrosion on switch contacts
 - Loose wire connections or splices.
- If repairs are needed always use wire that is of the same or larger gauge.

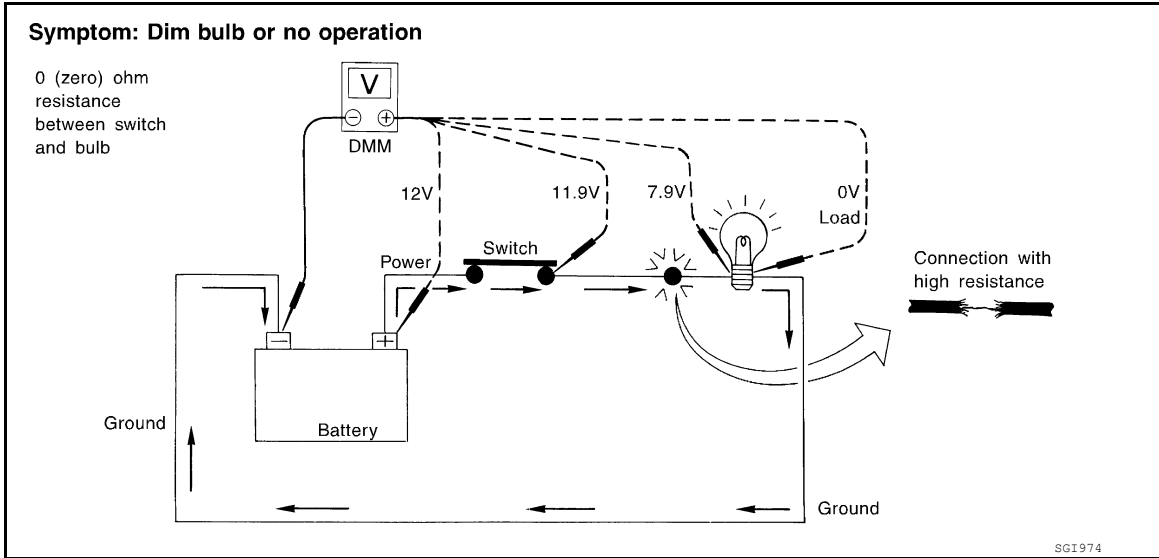
Measuring Voltage Drop — Accumulated Method

- Connect the DMM across the connector or part of the circuit you want to check. The positive lead of the DMM should be closer to power and the negative lead closer to ground.
- Operate the circuit.
- The DMM will indicate how many volts are being used to “push” current through that part of the circuit.

SERVICE INFORMATION FOR ELECTRICAL INCIDENT

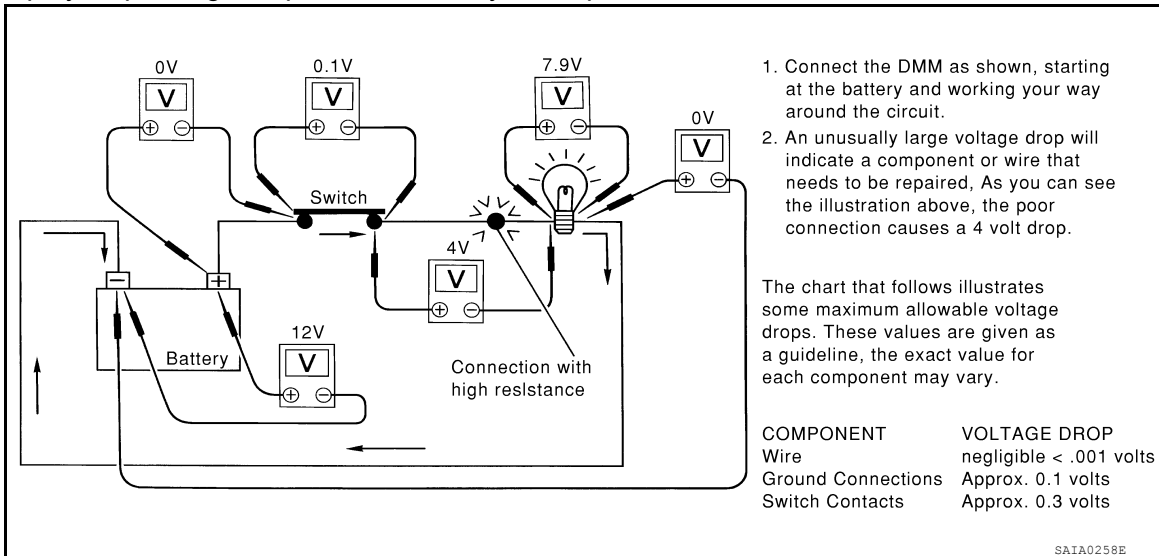
< BASIC INSPECTION >

Note in the illustration that there is an excessive 4.1 volt drop between the battery and the bulb.



Measuring Voltage Drop — Step-by-Step

- The step-by-step method is most useful for isolating excessive drops in low voltage systems (such as those in “Computer Controlled Systems”).
- Circuits in the “Computer Controlled System” operate on very low amperage.
- The (Computer Controlled) system operations can be adversely affected by any variation in resistance in the system. Such resistance variation may be caused by poor connection, improper installation, improper wire gauge or corrosion.
- The step by step voltage drop test can identify a component or wire with too much resistance.

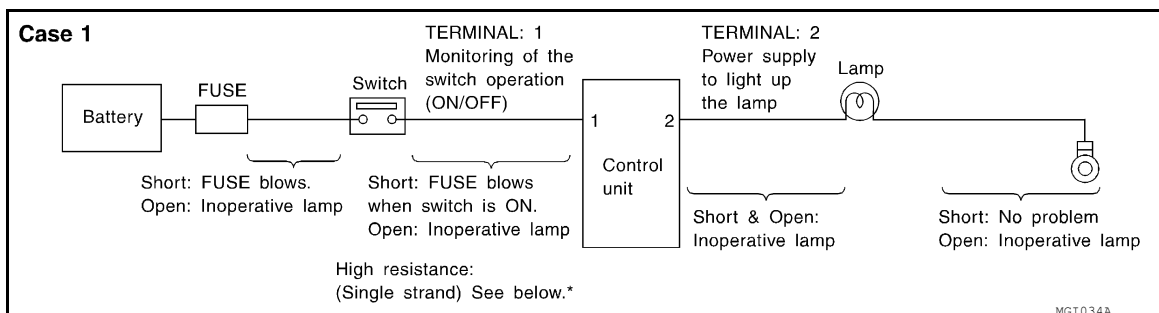


CONTROL UNIT CIRCUIT TEST

System Description

- When the switch is ON, the control unit lights up the lamp.

CASE 1



SERVICE INFORMATION FOR ELECTRICAL INCIDENT

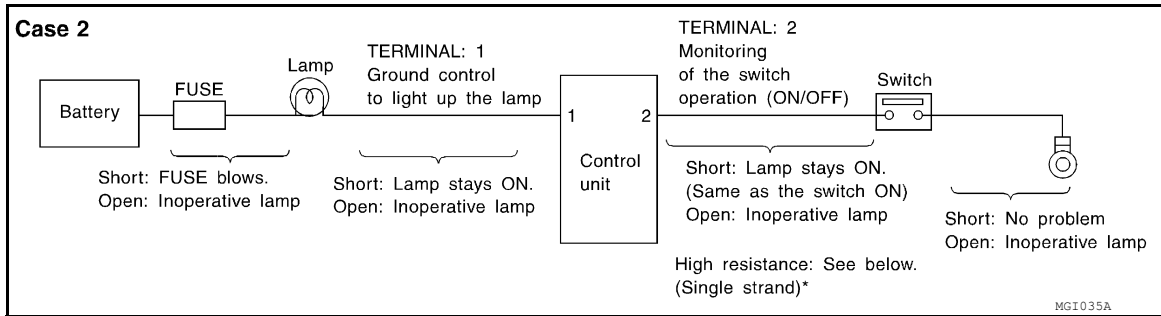
< BASIC INSPECTION >

INPUT-OUTPUT VOLTAGE CHART

Terminal No.		Description		Condition	Value (Approx.)	In case of high resistance such as single strand (V) *
+	-	Signal name	Input/Output			
1	Body ground	Switch	Input	Switch ON	Battery voltage	Lower than battery voltage Approx. 8 (Example)
				Switch OFF	0 V	Approx. 0
2	Body ground	Lamp	Output	Switch ON	Battery voltage	Approx. 0 (Inoperative lamp)
				Switch OFF	0 V	Approx. 0

- The voltage value is based on the body ground.
- *: If high resistance exists in the switch side circuit (caused by a single strand), terminal 1 does not detect battery voltage. Control unit does not detect the switch is ON even if the switch does not turn ON. Therefore, the control unit does not supply power to light up the lamp.

CASE 2



INPUT-OUTPUT VOLTAGE CHART

Terminal No.		Description		Condition	Value (Approx.)	In case of high resistance such as single strand (V) *
+	-	Signal name	Input/Output			
1	Body ground	Lamp	Output	Switch ON	0V	Battery voltage (Inoperative lamp)
				Switch OFF	Battery voltage	Battery voltage
2	Body ground	Switch	Input	Switch ON	0 V	Higher than 0 Approx. 4 (Example)
				Switch OFF	5 V	Approx. 5

- The voltage value is based on the body ground.
- *: If high resistance exists in the switch side circuit (caused by a single strand), terminal 2 does not detect approx. 0V. Control unit does not detect the switch is ON even if the switch does not turn ON. Therefore, the control unit does not control ground to light up the lamp.

CONSULT CHECKING SYSTEM

< BASIC INSPECTION >

CONSULT CHECKING SYSTEM

Description

INFOID:000000007949345

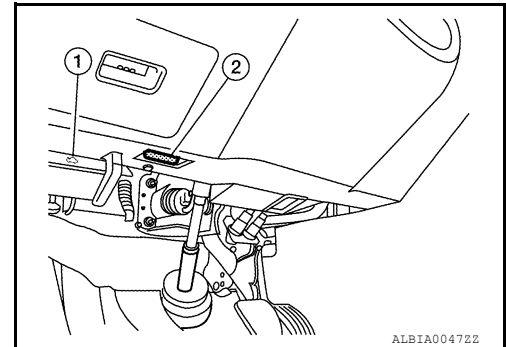
NOTE:

This vehicle is diagnosed using CONSULT-III plus.

- When CONSULT is connected with a data link connector equipped on the vehicle side, it will communicate with the control unit equipped in the vehicle and then enable various kinds of diagnostic tests.

- 1 : Hood release handle
- 2 : Data link connector

- Refer to CONSULT-III plus Operation Manual for more information.



Function and System Application

INFOID:000000007949346

Direct Diagnostic Mode	Description	ENGINE	TRANSMISSION	ABS	AIR BAG	IPDM E/R	BCM	METER/M&A	AUTO DRIVE POS.*1	ALL MODE AWD/4WD*2	DIFF LOCK*3	HVAC	MULTI AV*4
Work support	This mode enables a technician to adjust some devices faster and more accurately by following the indications on CONSULT.	x	-	x	-	-	x	-	x	-	-	-	-
Self Diagnostic Result	Self-diagnostic results can be read and erased quickly.	x	x	x	x	x	x	x	x	x	x	x	x
Data Monitor	Input/Output data in the ECU can be read.	x	x	x	x	x	x	x	x	x	x	x	x
CAN diagnosis	The condition of CAN communication can be indicated by a topology.	x	x	x	x	x	x	x	x	x	x	x	x
CAN diagnosis support monitor	The communication condition of CAN communication line can be read.	x	x	x	x	x	x	x	x	x	-	x	-
Active test	Diagnostic Test Mode in which CONSULT drives some actuators apart from the ECUs and also shifts some parameters in a specified range.	x	-	x	-	x	x	-	x	-	-	-	-
DTC Work Support	The results of SRT (System Readiness Test) and the self-diagnosis status/result can be confirmed.	x	x	-	-	-	-	-	-	-	-	-	-
ECU Identification	ECU part number can be read.	x	x	x	x	-	x	-	x	-	x	x	x
Configuration	Sets control module parameters to match vehicle options.	-	x	-	-	-	x	-	-	-	-	-	-
TROUBLE DIAG RECORD	Other results or histories, etc. that are recorded in ECU are displayed.	-	-	-	x	-	-	-	-	-	-	-	-

x: Applicable

*1: With automatic drive positioner

*2: With 4-wheel drive

*3: With electronic locking rear differential

*4: With navigation system

CONSULT Data Link Connector (DLC) Circuit

INFOID:000000007949347

INSPECTION PROCEDURE

If the CONSULT cannot diagnose the system properly, check the following items.

CONSULT CHECKING SYSTEM

< BASIC INSPECTION >

Symptom	Check item
CONSULT cannot access any system.	<ul style="list-style-type: none"> CONSULT DLC power supply circuit (Terminal 8) and ground circuit (Terminal 4)
CONSULT cannot access individual system. (Other systems can be accessed.)	<ul style="list-style-type: none"> Power supply and ground circuit for the control unit of the system (For detailed circuit, refer to wiring diagram for each system.) Open or short circuit between the system and CONSULT DLC (For detailed circuit, refer to wiring diagram for each system.) Open or short circuit CAN communication line. Refer to LAN-14, "Trouble Diagnosis Flow Chart".

NOTE:

The CAN and DDL2 circuits from DLC pins 6, 7 and 14 may be connected to more than one system. A short in any circuit connected to a control unit in one system may affect CONSULT access to other systems.

GI

B

C

D

E

F

G

H

I

J

K

L

M

N

O

P