

SECTION **MIR**
MIRRORS

A
B
C
D
E
F
G
H
I
J
K
M
N
O
P

CONTENTS

| | | | |
|--|----|--|----|
| WIRING DIAGRAM | 2 | PREPARATION | 16 |
| DOOR MIRROR | 2 | PREPARATION | 16 |
| Wiring Diagram - Without Power Fold System | 2 | Special Service Tool | 16 |
| Wiring Diagram - Power Fold System | 5 | Commercial Service Tool | 16 |
| INSIDE MIRROR | 8 | UNIT REMOVAL AND INSTALLATION | 17 |
| Wiring Diagram - With Homelink Universal Transceiver | 8 | INSIDE MIRROR | 17 |
| Wiring Diagram - Without Homelink Universal Transceiver | 11 | Removal and Installation | 17 |
| PRECAUTION | 14 | DOOR MIRROR | 18 |
| PRECAUTIONS | 14 | Door Mirror Assembly | 18 |
| Precaution for Supplemental Restraint System (SRS) "AIR BAG" and "SEAT BELT PRE-TENSIONER" | 14 | Door Mirror Glass | 19 |
| Handling for Adhesive and Primer | 14 | UNIT DISASSEMBLY AND ASSEMBLY ... | 21 |
| Precaution for Work | 14 | DOOR MIRROR | 21 |
| | | Exploded View | 21 |
| | | Mirror Actuator | 21 |
| | | Door Mirror Cover | 22 |

MIR

DOOR MIRROR

< WIRING DIAGRAM >

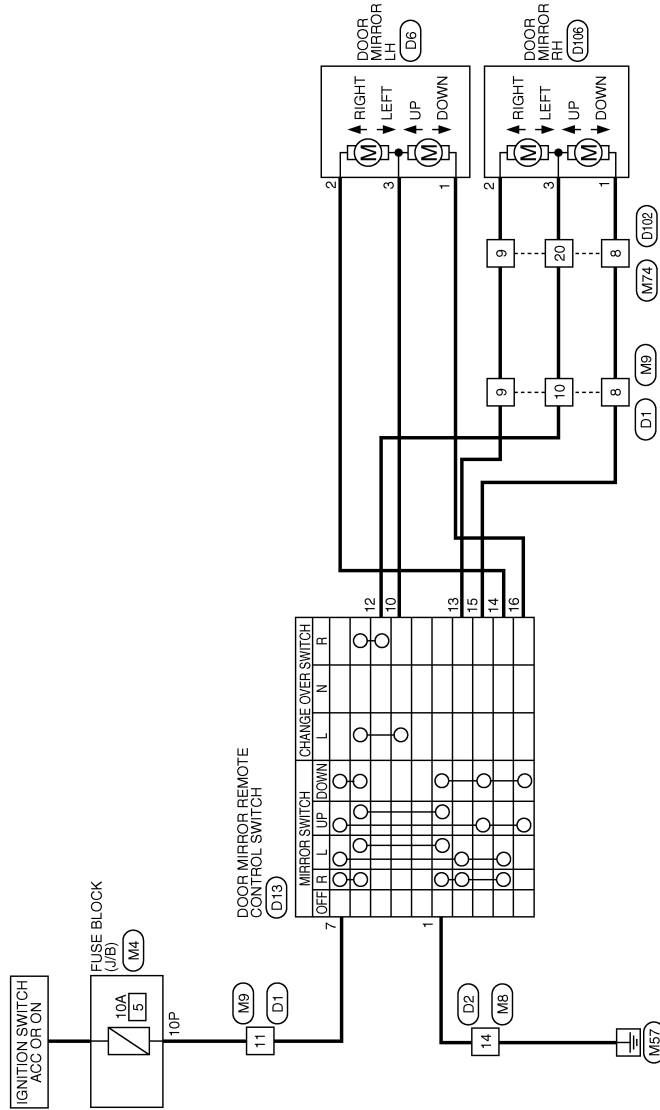
WIRING DIAGRAM

DOOR MIRROR

Wiring Diagram - Without Power Fold System

INFOID:000000009878454

DOOR MIRROR - WITHOUT POWER FOLD SYSTEM



ABLWA2641GB

DOOR MIRROR

< WIRING DIAGRAM >

DOOR MIRROR CONNECTORS - WITHOUT POWER FOLD SYSTEM

| | |
|-----------------|------------------|
| Connector No. | M4 |
| Connector Name | FUSE BLOCK (J/B) |
| Connector Color | WHITE |



| Terminal No. | Color of Wire | Signal Name |
|--------------|---------------|-------------|
| 10P | O | - |

| | |
|-----------------|--------------|
| Connector No. | M8 |
| Connector Name | WIRE TO WIRE |
| Connector Color | WHITE |



| Terminal No. | Color of Wire | Signal Name |
|--------------|---------------|-------------|
| 14 | B | - |

| | |
|-----------------|--------------|
| Connector No. | M9 |
| Connector Name | WIRE TO WIRE |
| Connector Color | BROWN |



| Terminal No. | Color of Wire | Signal Name |
|--------------|---------------|-------------|
| 8 | SB | - |
| 9 | Y/B | - |
| 10 | V/W | - |
| 11 | GR | - |

| | |
|-----------------|--------------|
| Connector No. | M74 |
| Connector Name | WIRE TO WIRE |
| Connector Color | BROWN |



| Terminal No. | Color of Wire | Signal Name |
|--------------|---------------|--|
| 8 | SB | - (WITHOUT AUTOMATIC DRIVE POSITIONER) |
| 9 | Y/B | - (WITHOUT AUTOMATIC DRIVE POSITIONER) |
| 20 | V/W | - (WITHOUT AUTOMATIC DRIVE POSITIONER) |

| | |
|-----------------|--------------|
| Connector No. | D1 |
| Connector Name | WIRE TO WIRE |
| Connector Color | BROWN |



| Terminal No. | Color of Wire | Signal Name |
|--------------|---------------|--|
| 8 | SB | - |
| 9 | Y/B | - |
| 10 | V/W | - |
| 11 | G/R | - (WITHOUT AUTOMATIC DRIVE POSITIONER) |

| | |
|-----------------|--------------|
| Connector No. | D2 |
| Connector Name | WIRE TO WIRE |
| Connector Color | WHITE |



| Terminal No. | Color of Wire | Signal Name |
|--------------|---------------|-------------|
| 14 | B | - |

ABLI1A6478GB

A
B
C
D
E
F
G
H
I
J
K
L
M
N
O
P

MIR

DOOR MIRROR

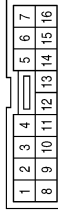
< WIRING DIAGRAM >

| | |
|-----------------|---|
| Connector No. | D6 |
| Connector Name | DOOR MIRROR LH (WITHOUT AUTOMATIC DRIVE POSITIONER) |
| Connector Color | WHITE |



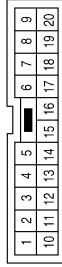
| Terminal No. | Color of Wire | Signal Name |
|--------------|---------------|-------------|
| 1 | L/R | - |
| 2 | Y/R | - |
| 3 | P | - |

| | |
|-----------------|---|
| Connector No. | D13 |
| Connector Name | DOOR MIRROR REMOTE CONTROL SWITCH (WITHOUT AUTOMATIC DRIVE POSITIONER) |
| Connector Color | WHITE |



| Terminal No. | Color of Wire | Signal Name |
|--------------|---------------|-------------|
| 1 | B | - |
| 7 | G/R | - |
| 10 | P | - |
| 12 | V/W | - |
| 13 | Y/B | - |
| 14 | Y/R | - |
| 15 | SB | - |
| 16 | L/R | - |

| | |
|-----------------|--------------|
| Connector No. | D102 |
| Connector Name | WIRE TO WIRE |
| Connector Color | BROWN |



| Terminal No. | Color of Wire | Signal Name |
|--------------|---------------|--|
| 8 | SB | -(WITHOUT AUTOMATIC DRIVE POSITIONER) |
| 9 | Y/B | -(WITHOUT AUTOMATIC DRIVE POSITIONER) |
| 20 | V/W | -(WITHOUT AUTOMATIC DRIVE POSITIONER) |

| | |
|-----------------|---|
| Connector No. | D106 |
| Connector Name | DOOR MIRROR RH (WITHOUT AUTOMATIC DRIVE POSITIONER) |
| Connector Color | WHITE |



| Terminal No. | Color of Wire | Signal Name |
|--------------|---------------|-------------|
| 1 | SB | - |
| 2 | Y/B | - |
| 3 | V/W | - |

ABL1A2741GB

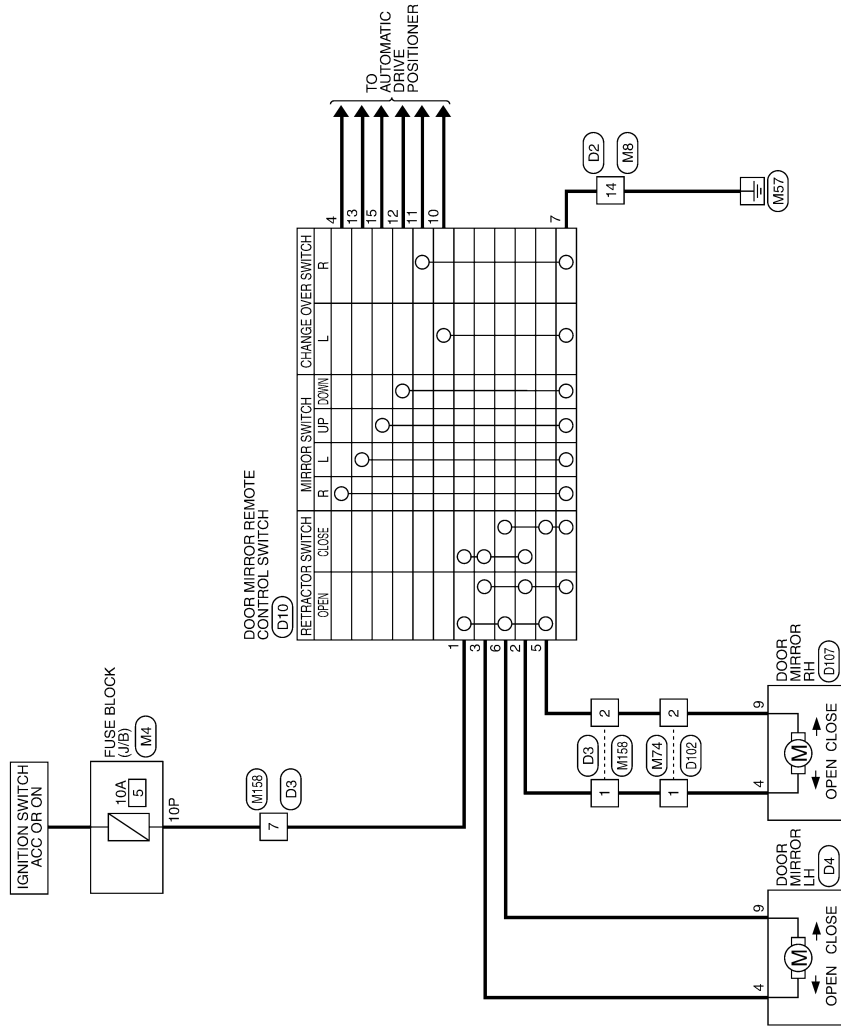
DOOR MIRROR

< WIRING DIAGRAM >

Wiring Diagram - Power Fold System

INFOID:00000009878455

DOOR MIRROR - POWER FOLD SYSTEM



A
B
C
D
E
F
G
H
I
J
K
L
M
N
O
P

MIR

ABLWA1540GB

DOOR MIRROR

< WIRING DIAGRAM >

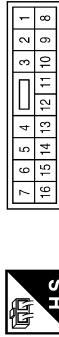
DOOR MIRROR CONNECTORS - POWER FOLD SYSTEM

| | |
|-----------------|------------------|
| Connector No. | M4 |
| Connector Name | FUSE BLOCK (J/B) |
| Connector Color | WHITE |



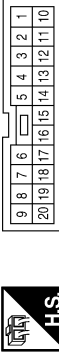
| | | | | | |
|--------------|-----|---------------|---|-------------|---|
| Terminal No. | 10P | Color of Wire | O | Signal Name | - |
|--------------|-----|---------------|---|-------------|---|

| | |
|-----------------|--------------|
| Connector No. | M8 |
| Connector Name | WIRE TO WIRE |
| Connector Color | WHITE |



| | | | | | |
|--------------|----|---------------|---|-------------|---|
| Terminal No. | 14 | Color of Wire | B | Signal Name | - |
|--------------|----|---------------|---|-------------|---|

| | |
|-----------------|--------------|
| Connector No. | M74 |
| Connector Name | WIRE TO WIRE |
| Connector Color | BROWN |



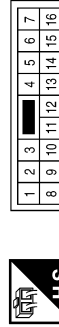
| | | | | | |
|--------------|---|---------------|-----|-------------|---|
| Terminal No. | 1 | Color of Wire | Y/L | Signal Name | - |
| Terminal No. | 2 | Color of Wire | R | Signal Name | - |

| | |
|-----------------|--------------|
| Connector No. | M158 |
| Connector Name | WIRE TO WIRE |
| Connector Color | WHITE |



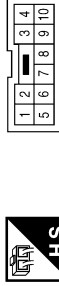
| | | | | | |
|--------------|---|---------------|-----|-------------|---|
| Terminal No. | 1 | Color of Wire | Y/L | Signal Name | - |
| Terminal No. | 2 | Color of Wire | R | Signal Name | - |
| Terminal No. | 7 | Color of Wire | O | Signal Name | - |

| | |
|-----------------|--------------|
| Connector No. | D2 |
| Connector Name | WIRE TO WIRE |
| Connector Color | WHITE |



| | | | | | |
|--------------|----|---------------|---|-------------|---|
| Terminal No. | 14 | Color of Wire | B | Signal Name | - |
|--------------|----|---------------|---|-------------|---|

| | |
|-----------------|--------------|
| Connector No. | D3 |
| Connector Name | WIRE TO WIRE |
| Connector Color | WHITE |



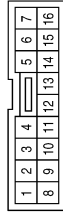
| | | | | | |
|--------------|---|---------------|-----|-------------|---|
| Terminal No. | 1 | Color of Wire | Y/L | Signal Name | - |
| Terminal No. | 2 | Color of Wire | R | Signal Name | - |
| Terminal No. | 7 | Color of Wire | O | Signal Name | - |

DOOR MIRROR

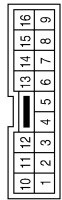
< WIRING DIAGRAM >

| Terminal No. | Color of Wire | Signal Name |
|--------------|---------------|-------------|
| 1 | O | - |
| 2 | Y/L | - |
| 3 | L | - |
| 4 | GR | - |
| 5 | R | - |
| 6 | G | - |
| 7 | B | - |
| 10 | BR/W | - |
| 11 | LG | - |
| 12 | SB | - |
| 13 | V/W | - |
| 15 | Y/B | - |

| Connector No. | D10 |
|-----------------|---|
| Connector Name | DOOR MIRROR REMOTE CONTROL SWITCH (WITH AUTOMATIC DRIVE POSITIONER) |
| Connector Color | BROWN |

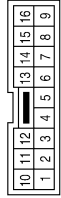


| Connector No. | D4 |
|-----------------|--|
| Connector Name | DOOR MIRROR LH (WITH AUTOMATIC DRIVE POSITIONER) |
| Connector Color | WHITE |

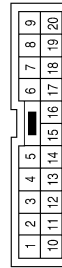


| Terminal No. | Color of Wire | Signal Name |
|--------------|---------------|-------------|
| 4 | L | - |
| 9 | G | - |

| Connector No. | D107 |
|-----------------|--|
| Connector Name | DOOR MIRROR RH (WITH AUTOMATIC DRIVE POSITIONER) |
| Connector Color | WHITE |



| Connector No. | D102 |
|-----------------|--------------|
| Connector Name | WIRE TO WIRE |
| Connector Color | BROWN |



| Terminal No. | Color of Wire | Signal Name |
|--------------|---------------|-------------|
| 1 | Y/L | - |
| 2 | R | - |

| Terminal No. | Color of Wire | Signal Name |
|--------------|---------------|-------------|
| 4 | Y/L | - |
| 9 | R | - |

AALIA0090GB

A
B
C
D
E
F
G
H
I
J
K
L
M
N
O
P

MIR

INSIDE MIRROR

< WIRING DIAGRAM >

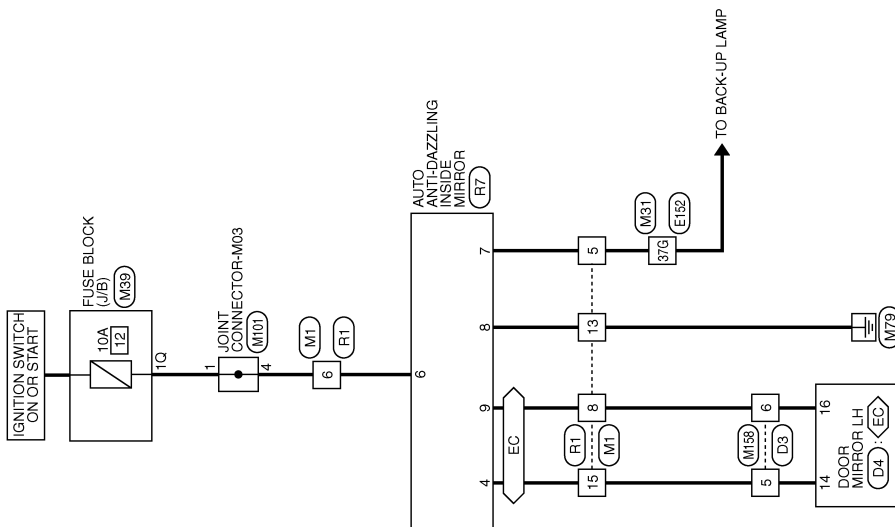
INSIDE MIRROR

Wiring Diagram - With Homelink Universal Transceiver

INFOID:000000009878456

INSIDE MIRROR - WITH HOMELINK UNIVERSAL TRANSCEIVER

EC: WITH AUTO DIMMING OUTSIDE MIRRORS



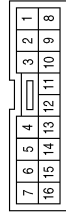
ABLWA2642GB

INSIDE MIRROR

< WIRING DIAGRAM >

INSIDE MIRROR CONNECTORS - WITH HOMELINK UNIVERSAL TRANSCIEVER

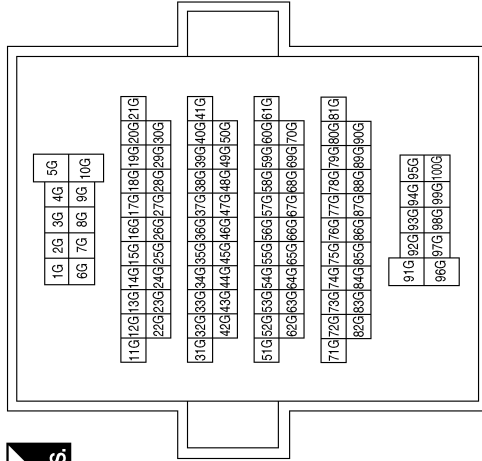
| | |
|-----------------|--------------|
| Connector No. | M1 |
| Connector Name | WIRE TO WIRE |
| Connector Color | WHITE |



| | |
|-----------------|--------------|
| Connector No. | M31 |
| Connector Name | WIRE TO WIRE |
| Connector Color | WHITE |

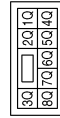


| | | | | | |
|--------------|-----|---------------|-----|-------------|---|
| Terminal No. | 37G | Color of Wire | G/W | Signal Name | - |
|--------------|-----|---------------|-----|-------------|---|

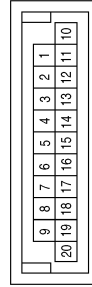


| Terminal No. | Color of Wire | Signal Name |
|--------------|---------------|-------------|
| 5 | G/W | - |
| 6 | G/R | - |
| 8 | Y/V | - |
| 13 | B | - |
| 15 | LG/B | - |

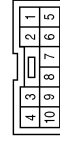
| | |
|-----------------|------------------|
| Connector No. | M39 |
| Connector Name | FUSE BLOCK (J/B) |
| Connector Color | WHITE |



| | |
|-----------------|---------------------|
| Connector No. | M101 |
| Connector Name | JOINT CONNECTOR-M03 |
| Connector Color | BLUE |



| | |
|-----------------|--------------|
| Connector No. | M158 |
| Connector Name | WIRE TO WIRE |
| Connector Color | WHITE |



| | | | | | |
|--------------|----|---------------|-----|-------------|---|
| Terminal No. | 1Q | Color of Wire | G/R | Signal Name | - |
|--------------|----|---------------|-----|-------------|---|

| | | | | | |
|--------------|---|---------------|-----|-------------|---|
| Terminal No. | 1 | Color of Wire | G/R | Signal Name | - |
| 4 | | G/R | | | - |

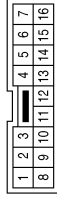
| | | | | | |
|--------------|---|---------------|------|-------------|---|
| Terminal No. | 5 | Color of Wire | LG/B | Signal Name | - |
| 6 | | Y/V | | | - |

ABLI1A6465GB

INSIDE MIRROR

< WIRING DIAGRAM >

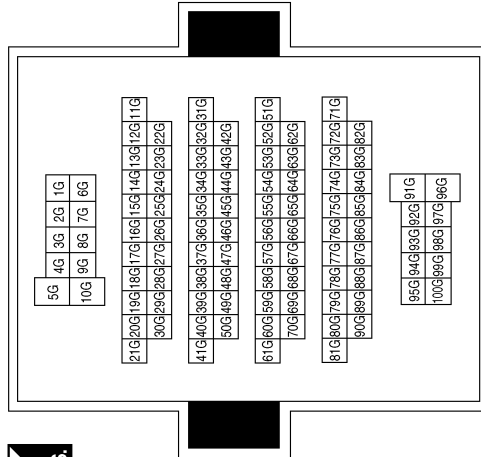
| | |
|-----------------|--------------|
| Connector No. | R1 |
| Connector Name | WIRE TO WIRE |
| Connector Color | WHITE |



| Terminal No. | Color of Wire | Signal Name |
|--------------|---------------|-------------|
| 5 | G/W | - |
| 6 | G/R | - |
| 8 | Y/V | - |
| 13 | B | - |
| 15 | LG/B | - |

| | | | | | |
|--------------|-----|---------------|-----|-------------|---|
| Terminal No. | 37G | Color of Wire | G/W | Signal Name | - |
|--------------|-----|---------------|-----|-------------|---|

| | |
|-----------------|--------------|
| Connector No. | E152 |
| Connector Name | WIRE TO WIRE |
| Connector Color | WHITE |



| | |
|-----------------|--|
| Connector No. | D4 |
| Connector Name | DOOR MIRROR LH (WITH AUTOMATIC DRIVE POSITIONER) |
| Connector Color | WHITE |



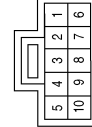
| Terminal No. | Color of Wire | Signal Name |
|--------------|---------------|-------------|
| 14 | LG/B | - |
| 16 | Y/V | - |

| | | | | | |
|----------------|--------------|-----------------|--------------|-------------|---|
| Connector No. | D3 | Color of Wire | WIRE TO WIRE | Signal Name | - |
| Connector Name | WIRE TO WIRE | Connector Color | WHITE | | |



| Terminal No. | Color of Wire | Signal Name |
|--------------|---------------|-------------|
| 5 | LG/B | - |
| 6 | Y/V | - |

| | |
|-----------------|---|
| Connector No. | R7 |
| Connector Name | AUTO ANTI-DAZZLING INSIDE MIRROR (WITH HOMELINK UNIVERSAL TRANSCIEIVER) |
| Connector Color | GRAY |



| Terminal No. | Color of Wire | Signal Name |
|--------------|---------------|-------------|
| 4 | LG/B | - |
| 6 | G/R | - |
| 7 | G/W | - |
| 8 | B | - |
| 9 | Y/V | - |

ABLIA6466GB

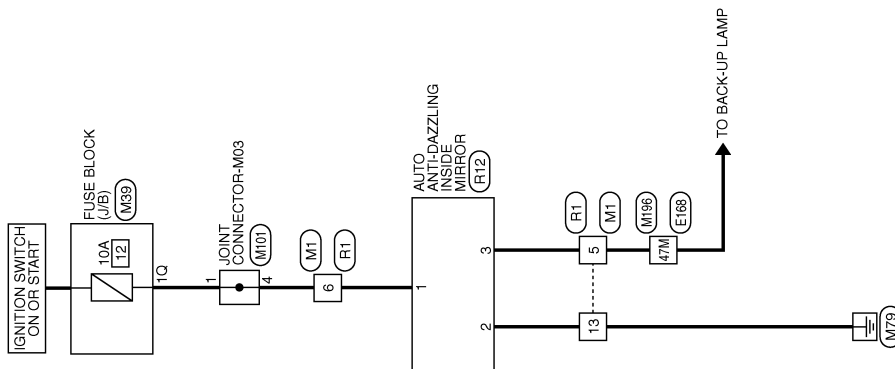
INSIDE MIRROR

< WIRING DIAGRAM >

Wiring Diagram - Without Homelink Universal Transceiver

INFOID:000000010603420

INSIDE MIRROR - WITHOUT HOMELINK UNIVERSAL TRANSCEIVER



A
B
C
D
E
F
G
H
I
J
K
L
M
N
O
P

MIR

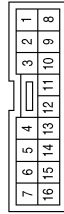
ABLWA2643GB

INSIDE MIRROR

< WIRING DIAGRAM >

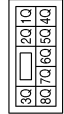
INSIDE MIRROR CONNECTORS - WITHOUT HOMELINK UNIVERSAL TRANSCEIVER

| | |
|-----------------|--------------|
| Connector No. | M1 |
| Connector Name | WIRE TO WIRE |
| Connector Color | WHITE |



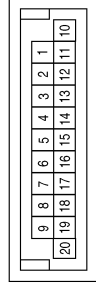
| Terminal No. | Color of Wire | Signal Name |
|--------------|---------------|-------------|
| 5 | G/W | - |
| 6 | G/R | - |
| 13 | B | - |

| | |
|-----------------|------------------|
| Connector No. | M39 |
| Connector Name | FUSE BLOCK (J/B) |
| Connector Color | WHITE |



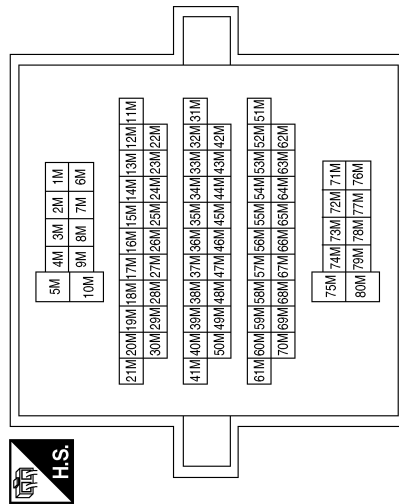
| Terminal No. | Color of Wire | Signal Name |
|--------------|---------------|-------------|
| 1Q | G/R | - |

| | |
|-----------------|---------------------|
| Connector No. | M101 |
| Connector Name | JOINT CONNECTOR-M03 |
| Connector Color | BLUE |



| Terminal No. | Color of Wire | Signal Name |
|--------------|---------------|-------------|
| 1 | G/R | - |
| 4 | G/R | - |

| | |
|-----------------|--------------|
| Connector No. | M196 |
| Connector Name | WIRE TO WIRE |
| Connector Color | WHITE |

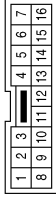


| Terminal No. | Color of Wire | Signal Name |
|--------------|---------------|-------------|
| 47M | G/W | - |

INSIDE MIRROR

< WIRING DIAGRAM >

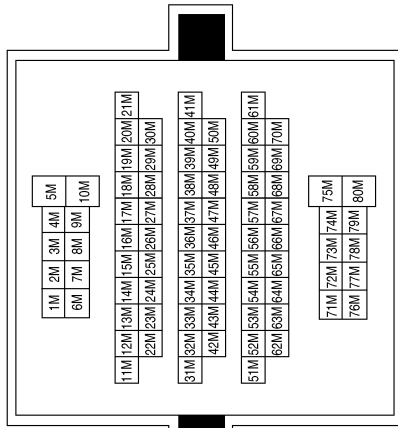
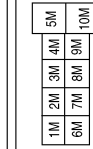
| | |
|-----------------|--------------|
| Connector No. | R1 |
| Connector Name | WIRE TO WIRE |
| Connector Color | WHITE |



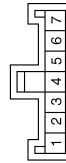
| Terminal No. | Color of Wire | Signal Name |
|--------------|---------------|-------------|
| 5 | G/W | - |
| 6 | G/R | - |
| 13 | B | - |

| | | |
|--------------|---------------|-------------|
| Terminal No. | Color of Wire | Signal Name |
| 47M | G/W | - |

| | |
|-----------------|--------------|
| Connector No. | E168 |
| Connector Name | WIRE TO WIRE |
| Connector Color | WHITE |



| | |
|-----------------|---|
| Connector No. | R2 |
| Connector Name | AUTO ANTI-DAZZLING INSIDE MIRROR (WITHOUT HOMELINK UNIVERSAL TRANSCIEIVER) |
| Connector Color | BLACK |



| Terminal No. | Color of Wire | Signal Name |
|--------------|---------------|-------------|
| 1 | G/R | - |
| 2 | B | - |
| 3 | G/W | - |

ABLI1A6468GB

A
B
C
D
E
F
G
H
I
J
K
M
N
O
P

MIR

PRECAUTIONS

< PRECAUTION >

PRECAUTION

PRECAUTIONS

Precaution for Supplemental Restraint System (SRS) "AIR BAG" and "SEAT BELT PRE-TENSIONER"

INFOID:000000010584147

The Supplemental Restraint System such as "AIR BAG" and "SEAT BELT PRE-TENSIONER", used along with a front seat belt, helps to reduce the risk or severity of injury to the driver and front passenger for certain types of collision. This system includes seat belt switch inputs and dual stage front air bag modules. The SRS system uses the seat belt switches to determine the front air bag deployment, and may only deploy one front air bag, depending on the severity of a collision and whether the front occupants are belted or unbelted. Information necessary to service the system safely is included in the SR and SB section of this Service Manual.

WARNING:

- To avoid rendering the SRS inoperative, which could increase the risk of personal injury or death in the event of a collision which would result in air bag inflation, all maintenance must be performed by an authorized NISSAN/INFINITI dealer.
- Improper maintenance, including incorrect removal and installation of the SRS, can lead to personal injury caused by unintentional activation of the system. For removal of Spiral Cable and Air Bag Module, see the SR section.
- Do not use electrical test equipment on any circuit related to the SRS unless instructed to in this Service Manual. SRS wiring harnesses can be identified by yellow and/or orange harnesses or harness connectors.

PRECAUTIONS WHEN USING POWER TOOLS (AIR OR ELECTRIC) AND HAMMERS

WARNING:

- When working near the Airbag Diagnosis Sensor Unit or other Airbag System sensors with the Ignition ON or engine running, DO NOT use air or electric power tools or strike near the sensor(s) with a hammer. Heavy vibration could activate the sensor(s) and deploy the air bag(s), possibly causing serious injury.
- When using air or electric power tools or hammers, always switch the Ignition OFF, disconnect the battery and wait at least three minutes before performing any service.

Handling for Adhesive and Primer

INFOID:000000009878458

- Do not use an adhesive which is past its usable date. Shelf life of this product is limited to six months after the date of manufacture. Carefully adhere to the expiration or manufacture date printed on the box.
- Keep primers and adhesive in a cool, dry place. Ideally, they should be stored in a refrigerator.
- Open the seal of the primer and adhesive just before application. Discard the remainder.
- Before application, be sure to shake the primer container to stir the contents. If any floating material is found, do not use it.
- If any primer or adhesive contacts the skin, wipe it off with gasoline or equivalent and wash the skin with soap.
- When using primer and adhesive, always observe the precautions in the instruction manual.

Precaution for Work

INFOID:000000009878459

- When removing or disassembling each component, be careful not to damage or deform it. If a component may be subject to interference, be sure to protect it with a shop cloth.
- When removing (disengaging) components with a screwdriver or similar tool, be sure to wrap the component with a shop cloth or vinyl tape to protect it.
- Protect the removed parts with a shop cloth and prevent them from being dropped.
- Replace a deformed or damaged clip.
- If a part is specified as a non-reusable part, always replace it with a new one.
- Be sure to tighten bolts and nuts securely to the specified torque.
- After installation is complete, be sure to check that each part works properly.
- Follow the steps below to clean components:
 - Water soluble dirt:
 - Dip a soft cloth into lukewarm water, wring the water out of the cloth and wipe the dirty area.
 - Then rub with a soft, dry cloth.

PRECAUTIONS

< PRECAUTION >

- Oily dirt:
- Dip a soft cloth into lukewarm water with mild detergent (concentration: within 2 to 3%) and wipe the dirty area.
- Then dip a cloth into fresh water, wring the water out of the cloth and wipe the detergent off.
- Then rub with a soft, dry cloth.
- Do not use organic solvent such as thinner, benzene, alcohol or gasoline.
- For genuine leather seats, use a genuine leather seat cleaner.

A

B

C

D

E

F

G

H

I

J

K

MIR

M

N

O

P

PREPARATION

< PREPARATION >

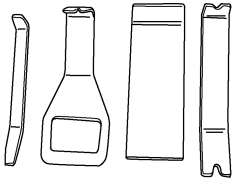
PREPARATION

PREPARATION

Special Service Tool

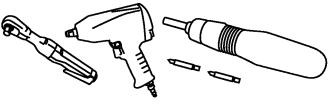
INFOID:000000009878460

The actual shape of the tools may differ from those illustrated here.

| Tool number (TechMate No.) Tool name | Description |
|---|--------------------------|
| — (J-46534) Trim Tool Set  AWJIA0483ZZ | Removing trim components |

Commercial Service Tool

INFOID:000000009878461

| Tool name | Description |
|---|----------------------------------|
| Power tool  PIIB1407E | Loosening nuts, screws and bolts |

INSIDE MIRROR

< UNIT REMOVAL AND INSTALLATION >

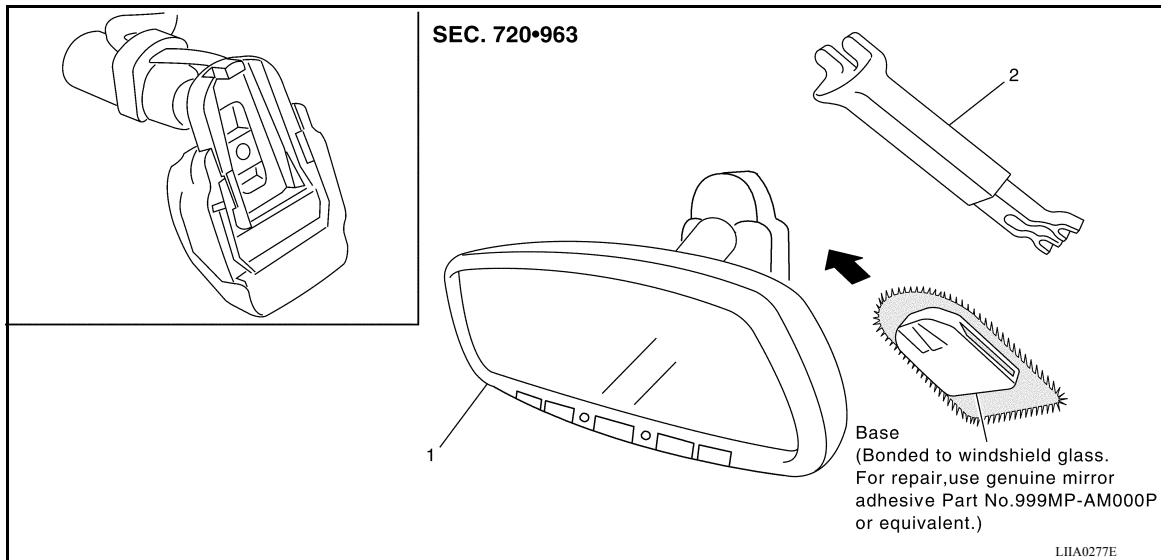
UNIT REMOVAL AND INSTALLATION

INSIDE MIRROR

Removal and Installation

INFOID:000000009878462

COMPONENTS



1. Inside mirror

2. Inside mirror finisher

REMOVAL

1. Remove inside mirror screw and finisher.
2. Slide the inside mirror upward to remove from mirror base.
3. Disconnect the harness connector from the inside mirror and remove.

INSTALLATION

Installation is in the reverse order or removal.

A
B
C
D
E
F
G
H
I
J
K
L
M
N
O
P

MIR

DOOR MIRROR

< UNIT REMOVAL AND INSTALLATION >

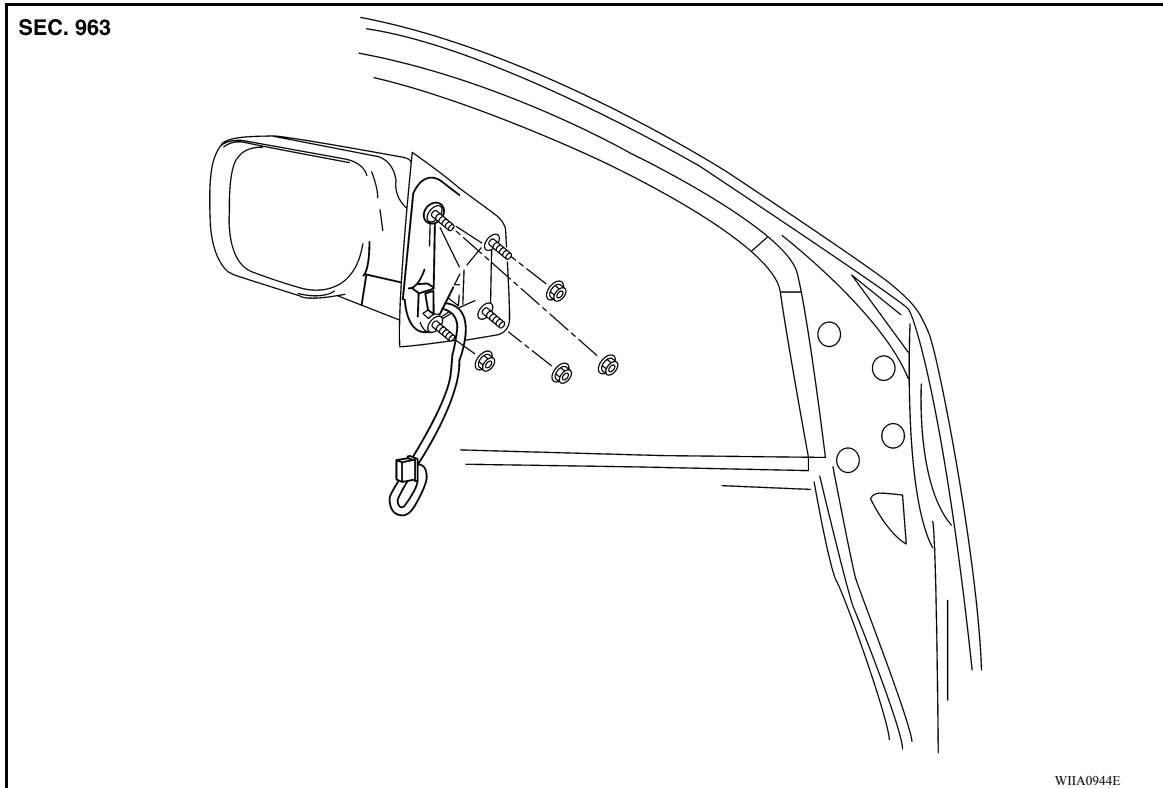
DOOR MIRROR

Door Mirror Assembly

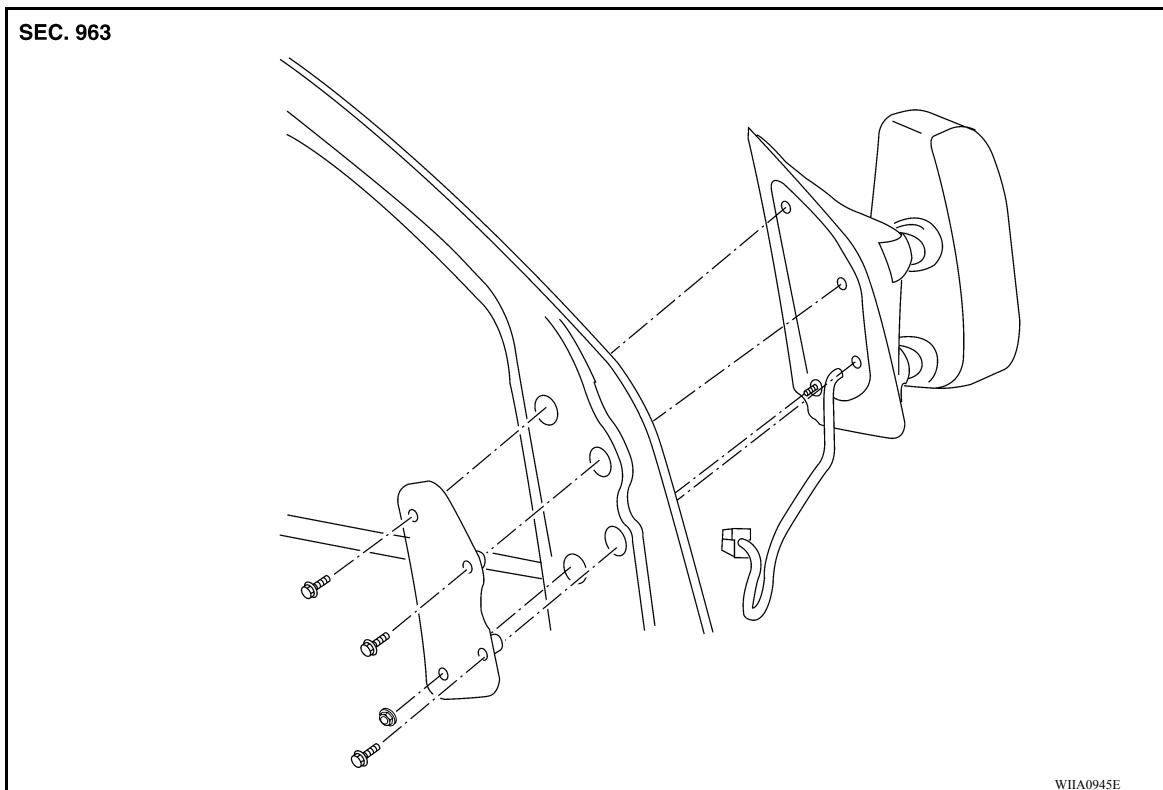
INFOID:000000009878463

COMPONENTS

Standard Mirror



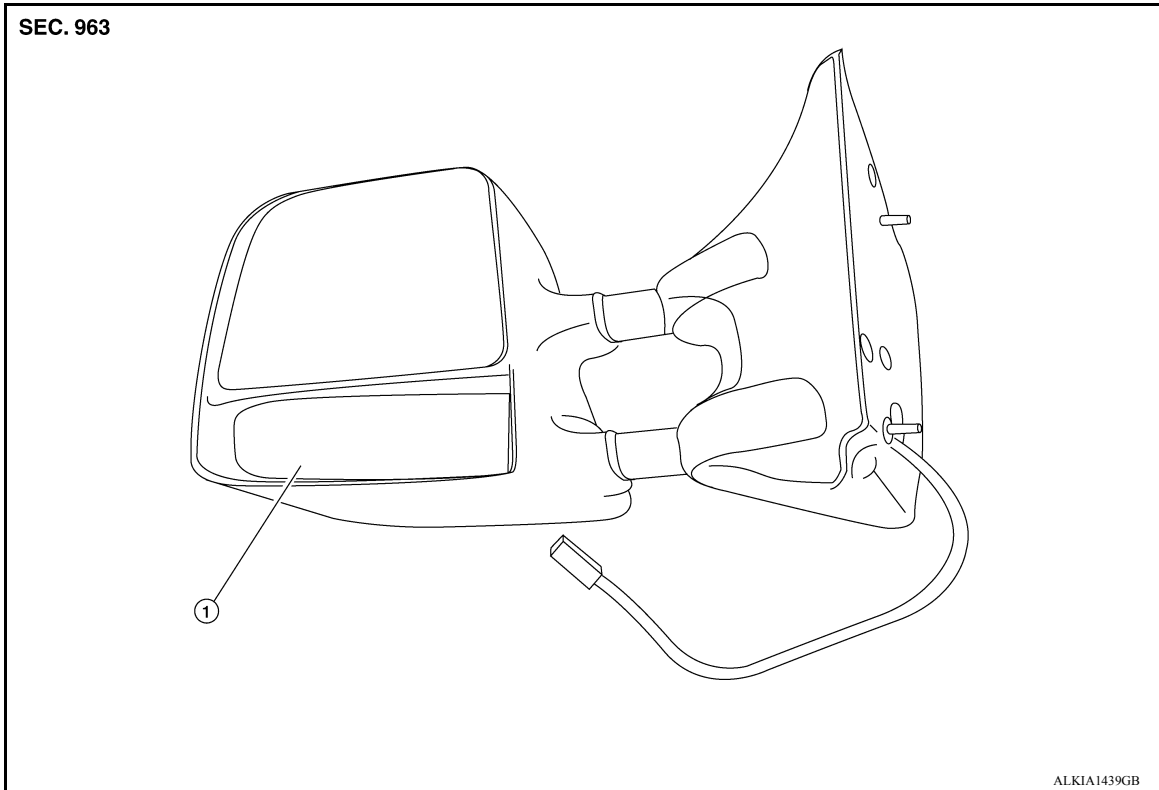
Trailer Tow Mirror - Back View



DOOR MIRROR

< UNIT REMOVAL AND INSTALLATION >

Trailer Tow Mirror - Front View



1. Spotter mirror (permanently mounted)

REMOVAL

CAUTION:

Do not remove the spotter mirror. The spotter mirror is permanently mounted and non-serviceable. Any attempt at removal will cause damage to the mirror assembly.

1. Remove the front door sash cover. Refer to [INT-10, "Removal and Installation"](#).
2. Disconnect the harness connector from the door mirror.
3. Remove the door mirror fasteners.
4. Remove the door mirror assembly.

INSTALLATION

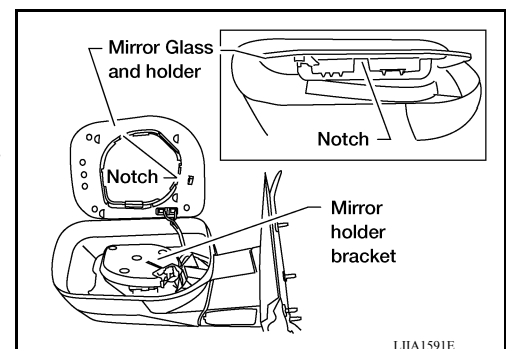
Installation is in the reverse order of removal.

Door Mirror Glass

INFOID:000000009878464

REMOVAL

1. Set mirror assembly with the glass facing upward.
2. Apply protective tape to door mirror housing.
3. Insert a suitable tool at notch and gently pry mirror glass and holder from mirror holder bracket.
4. Disconnect harness connectors from mirror glass and holder (if equipped).



INSTALLATION

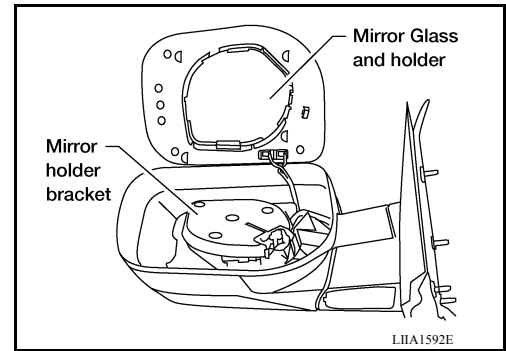
A
B
C
D
E
F
G
H
I
J
K
M
N
O
P

MIR

DOOR MIRROR

< UNIT REMOVAL AND INSTALLATION >

1. Position the door mirror assembly with the mirror holder bracket facing upward.
2. Connect the harness connectors to the back of the mirror glass and holder.
3. Align mirror glass and holder with mirror holder bracket. Push mirror glass and holder into mirror holder bracket.



4. Rotate mirror to ensure proper installation.

DOOR MIRROR

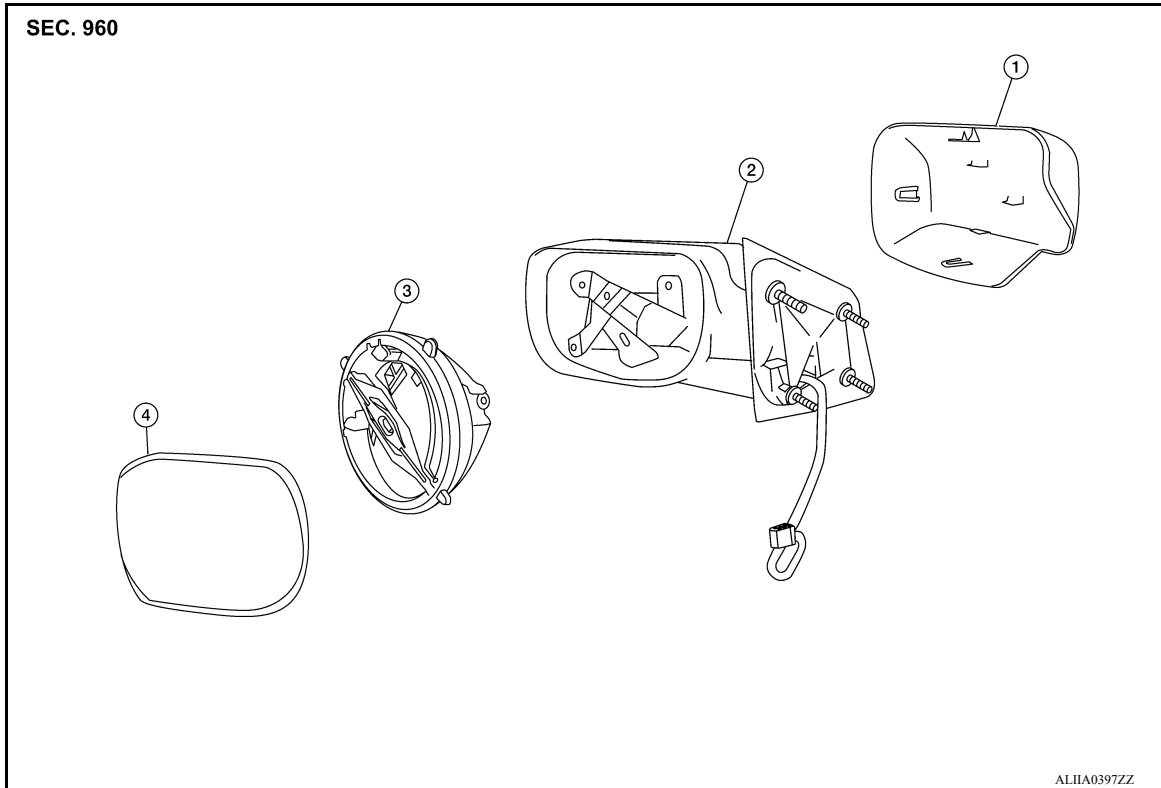
< UNIT DISASSEMBLY AND ASSEMBLY >

UNIT DISASSEMBLY AND ASSEMBLY

DOOR MIRROR

Exploded View

INFOID:000000009878465



- 1. Door mirror cover
- 2. Mirror housing assembly
- 3. Mirror actuator
- 4. Mirror glass

NOTE:

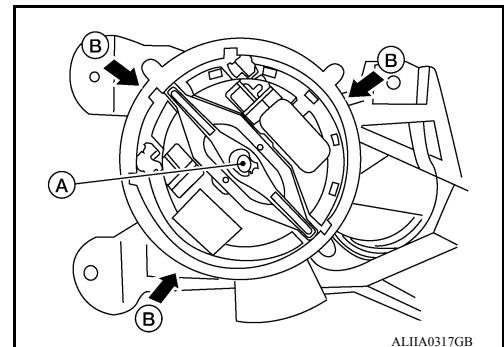
Standard mirror shown, trailer tow mirror similar.

Mirror Actuator

INFOID:000000009878466

DISASSEMBLY

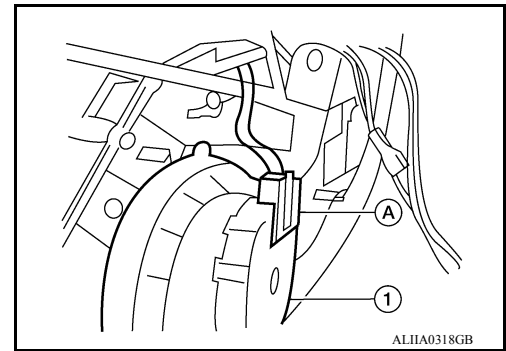
1. Remove the mirror glass. Refer to [MIR-19, "Door Mirror Glass"](#).
2. Remove the center screw (A) and release the actuator hooks (B) from housing.



DOOR MIRROR

< UNIT DISASSEMBLY AND ASSEMBLY >

3. Disconnect the harness connector (A) from the actuator (1) and remove.



ASSEMBLY

Assembly is the reverse order of disassembly.

Door Mirror Cover

INFOID:000000009878467

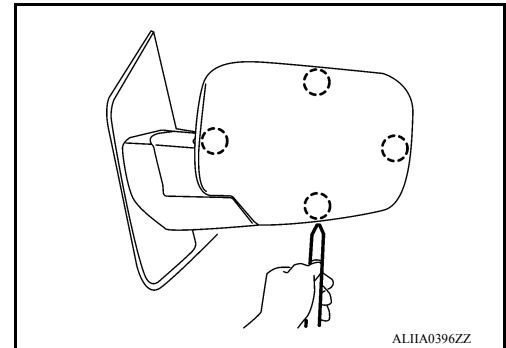
DISASSEMBLY

1. Disengage the mirror cover pawls using a suitable tool.

○: Pawl

CAUTION:

Be careful not to damage the mirror or mirror cover with tool.



ASSEMBLY

Installation is in the reverse order of removal.

CAUTION:

After installation, check that mirror cover pawls are securely engaged.