

SECTION **PWO**  
POWER OUTLET

A

B

C

D

E

CONTENTS

<b>POWER SOCKET</b>	Component Description .....	13	F
<b>PRECAUTION</b> .....	Inverter Unit .....	14	
<b>POWER SOCKET</b> .....	AC 120V Outlet Main Switch .....	14	
Caution for Supplemental Restraint System (SRS) "AIR BAG" and "SEAT BELT PRE-TENSIONER" .....	AC 120V Outlet .....	14	G
Caution for Work .....	<b>SYSTEM</b> .....	15	
<b>PREPARATION</b> .....	System Diagram .....	15	
<b>PREPARATION</b> .....	System Description .....	15	H
Special Service Tool .....	Fail-safe .....	15	
<b>WIRING DIAGRAM</b> .....	<b>ECU DIAGNOSIS INFORMATION</b> .....	17	I
<b>POWER SOCKET</b> .....	<b>INVERTER UNIT</b> .....	17	
Wiring Diagram .....	Reference Value .....	17	
<b>REMOVAL AND INSTALLATION</b> .....	Fail-safe .....	18	J
<b>POWER SOCKET</b> .....	<b>WIRING DIAGRAM</b> .....	20	
Removal and Installation .....	<b>INVERTER UNIT</b> .....	20	K
<b>AC 120 V OUTLET</b>	Wiring Diagram .....	20	
<b>PRECAUTION</b> .....	<b>BASIC INSPECTION</b> .....	27	L
<b>PRECAUTIONS</b> .....	<b>DIAGNOSIS AND REPAIR WORK FLOW</b> .....	27	
Caution for Supplemental Restraint System (SRS) "AIR BAG" and "SEAT BELT PRE-TENSIONER" .....	Work Flow .....	27	
Caution for Work .....	<b>DTC/CIRCUIT DIAGNOSIS</b> .....	29	
<b>PREPARATION</b> .....	<b>POWER SUPPLY AND GROUND CIRCUIT</b> .....	29	N
<b>PREPARATION</b> .....	Diagnosis Procedure .....	29	
Special Service Tool .....	Component Inspection (Inverter Relay) .....	30	
<b>SYSTEM DESCRIPTION</b> .....	<b>AC 120 V OUTLET MAIN SWITCH POWER SUPPLY CIRCUIT</b> .....	32	O
<b>COMPONENT PARTS</b> .....	Diagnosis Procedure .....	32	
Component Parts Location .....	<b>AC 120 V OUTLET MAIN SWITCH INPUT SIGNAL CIRCUIT</b> .....	33	P
	Diagnosis Procedure .....	33	
	Component Inspection (AC 120V Outlet Main Switch) .....	33	
	<b>AC 120 V POWER OUTPUT CIRCUIT</b> .....	35	

F

G

H

I

J

K

L

PWO

N

O

P

Diagnosis Procedure .....	35	<b>REMOVAL AND INSTALLATION .....</b>	<b>43</b>
<b>AC 120 V OUTLET MAIN SWITCH INDICA-</b>		<b>INVERTER UNIT .....</b>	<b>43</b>
<b>TOR CIRCUIT .....</b>	<b>38</b>	Removal and Installation .....	43
Diagnosis Procedure (150W Indicator) .....	38	<b>AC 120V OUTLET MAIN SW .....</b>	<b>44</b>
Diagnosis Procedure (400W Indicator) .....	38	Removal and Installation .....	44
Component Inspection (AC 120V Outlet Main		<b>AC 120 V OUTLET .....</b>	<b>45</b>
Switch Indicators) .....	39	Removal and Installation - Front .....	45
<b>SYMPTOM DIAGNOSIS .....</b>	<b>40</b>	Removal and Installation - Rear .....	45
<b>NO OUTPUT FROM AC 120 V OUTLET .....</b>	<b>40</b>	<b>SERVICE DATA AND SPECIFICATIONS</b>	
Diagnosis Procedure .....	40	<b>(SDS) .....</b>	<b>46</b>
<b>AC 120 V OUTLET MAIN SWITCH INDICA-</b>		<b>SERVICE DATA AND SPECIFICATIONS</b>	
<b>TOR DOES NOT TURN ON .....</b>	<b>41</b>	<b>(SDS) .....</b>	<b>46</b>
Diagnosis Procedure .....	41	AC 120V Power Outlet .....	46
<b>NORMAL OPERATING CONDITION .....</b>	<b>42</b>		
Description .....	42		

## PRECAUTION

### POWER SOCKET

#### Precaution for Supplemental Restraint System (SRS) "AIR BAG" and "SEAT BELT PRE-TENSIONER"

INFOID:000000010585847

The Supplemental Restraint System such as "AIR BAG" and "SEAT BELT PRE-TENSIONER", used along with a front seat belt, helps to reduce the risk or severity of injury to the driver and front passenger for certain types of collision. This system includes seat belt switch inputs and dual stage front air bag modules. The SRS system uses the seat belt switches to determine the front air bag deployment, and may only deploy one front air bag, depending on the severity of a collision and whether the front occupants are belted or unbelted. Information necessary to service the system safely is included in the SR and SB section of this Service Manual.

**WARNING:**

- To avoid rendering the SRS inoperative, which could increase the risk of personal injury or death in the event of a collision which would result in air bag inflation, all maintenance must be performed by an authorized NISSAN/INFINITI dealer.
- Improper maintenance, including incorrect removal and installation of the SRS, can lead to personal injury caused by unintentional activation of the system. For removal of Spiral Cable and Air Bag Module, see the SR section.
- Do not use electrical test equipment on any circuit related to the SRS unless instructed to in this Service Manual. SRS wiring harnesses can be identified by yellow and/or orange harnesses or harness connectors.

#### PRECAUTIONS WHEN USING POWER TOOLS (AIR OR ELECTRIC) AND HAMMERS

**WARNING:**

- When working near the Airbag Diagnosis Sensor Unit or other Airbag System sensors with the Ignition ON or engine running, DO NOT use air or electric power tools or strike near the sensor(s) with a hammer. Heavy vibration could activate the sensor(s) and deploy the air bag(s), possibly causing serious injury.
- When using air or electric power tools or hammers, always switch the Ignition OFF, disconnect the battery and wait at least three minutes before performing any service.

#### Precaution for Work

INFOID:000000009878232

- When removing or disassembling each component, be careful not to damage or deform it. If a component may be subject to interference, be sure to protect it with a shop cloth.
- When removing (disengaging) components with a screwdriver or similar tool, be sure to wrap the component with a shop cloth or vinyl tape to protect it.
- Protect the removed parts with a shop cloth and prevent them from being dropped.
- Replace a deformed or damaged clip.
- If a part is specified as a non-reusable part, always replace it with a new one.
- Be sure to tighten bolts and nuts securely to the specified torque.
- After installation is complete, be sure to check that each part works properly.
- Follow the steps below to clean components:
  - Water soluble dirt:
    - Dip a soft cloth into lukewarm water, wring the water out of the cloth and wipe the dirty area.
    - Then rub with a soft, dry cloth.
  - Oily dirt:
    - Dip a soft cloth into lukewarm water with mild detergent (concentration: within 2 to 3%) and wipe the dirty area.
    - Then dip a cloth into fresh water, wring the water out of the cloth and wipe the detergent off.
    - Then rub with a soft, dry cloth.
  - Do not use organic solvent such as thinner, benzene, alcohol or gasoline.
  - For genuine leather seats, use a genuine leather seat cleaner.

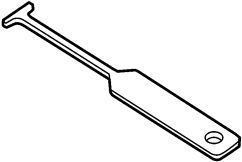
# PREPARATION

## PREPARATION

### Special Service Tool

INFOID:000000009878233

The actual shape of the tools may differ from those illustrated here.

Tool number (TechMate No.) Tool name	Description
— (J-42059) Power socket removal tool 	Removing power sockets

# POWER SOCKET

< WIRING DIAGRAM >

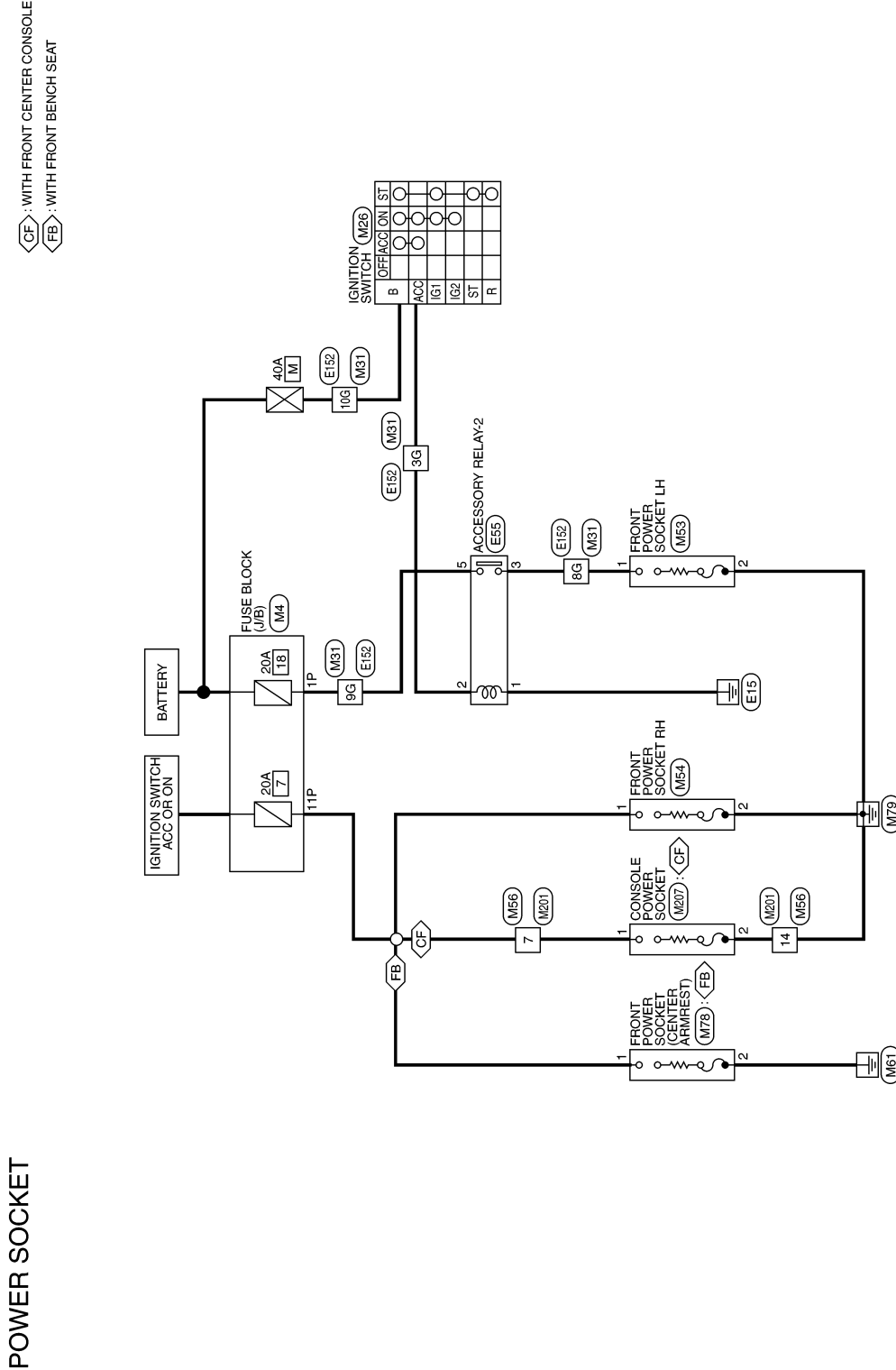
[POWER SOCKET]

## WIRING DIAGRAM

### POWER SOCKET

#### Wiring Diagram

INFOID:000000009878234



A  
B  
C  
D  
E  
F  
G  
H  
I  
J  
K  
L  
N  
O  
P

PWO

ABMWA2586GB

POWER SOCKET CONNECTORS

Connector No.	M4
Connector Name	FUSE BLOCK (J/B)
Connector Color	WHITE



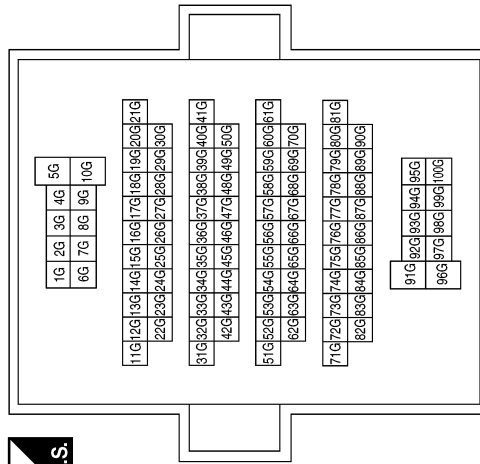
Terminal No.	Color of Wire	Signal Name
1P	G	-
11P	G/W	-

Connector No.	M26
Connector Name	IGNITION SWITCH
Connector Color	WHITE



Terminal No.	Color of Wire	Signal Name
B	G	-
ACC	V	-

Connector No.	M31
Connector Name	WIRE TO WIRE
Connector Color	WHITE



Terminal No.	Color of Wire	Signal Name
3G	V	-
8G	G	-
9G	G	-
10G	G	-

Connector No.	M53
Connector Name	FRONT POWER SOCKET
Connector Color	BLACK



Terminal No.	Color of Wire	Signal Name
1	G	-
2	B	-

# POWER SOCKET

< WIRING DIAGRAM >

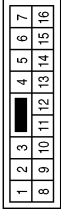
[POWER SOCKET]

Connector No.	M78
Connector Name	FRONT POWER SOCKET (CENTER ARMREST)
Connector Color	WHITE



Terminal No.	Color of Wire	Signal Name
1	L/W	-
2	B	-

Connector No.	M56
Connector Name	WIRE TO WIRE
Connector Color	WHITE



Terminal No.	Color of Wire	Signal Name
7	L/W	-
14	B	-

Connector No.	M54
Connector Name	FRONT POWER SOCKET RH
Connector Color	BLACK



Terminal No.	Color of Wire	Signal Name
1	G/W	-
2	B	-

Connector No.	E55
Connector Name	ACCESSORY RELAY-2
Connector Color	BLUE



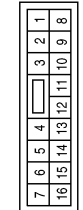
Terminal No.	Color of Wire	Signal Name
1	B	-
2	V	-
3	G	-
5	G	-

Connector No.	M207
Connector Name	CONSOLE POWER SOCKET
Connector Color	BLACK



Terminal No.	Color of Wire	Signal Name
1	L/W	-
2	B	-

Connector No.	M201
Connector Name	WIRE TO WIRE
Connector Color	WHITE



Terminal No.	Color of Wire	Signal Name
7	L/W	-
14	B	-

ABMIA6074GB

A  
B  
C  
D  
E  
F  
G  
H  
I  
J  
K  
L  
N  
O  
P

PWO

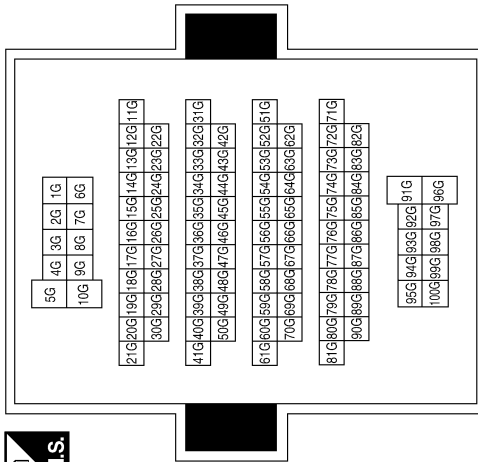
# POWER SOCKET

< WIRING DIAGRAM >

[POWER SOCKET]

Terminal No.	Color of Wire	Signal Name
3G	V	-
8G	G	-
9G	G	-
10G	G	-

Connector No.	E152
Connector Name	WIRE TO WIRE
Connector Color	WHITE



ABMIA4046GB



# REMOVAL AND INSTALLATION

## POWER SOCKET

### Removal and Installation

INFOID:000000009878235

FRONT POWER SOCKET (RH/LH), FRONT POWER SOCKET (CENTER ARMREST) OR CONSOLE POWER SOCKET.

**NOTE:**

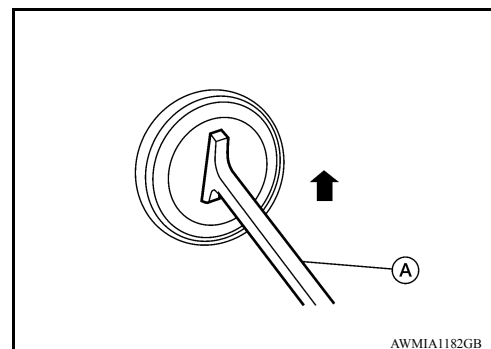
If unable to use the tool because of power socket location or access to the harness connector, then further removal of interior components may be required. Refer to [IP-14, "Exploded View"](#) (Front Power Socket) to remove cluster lid C and/or [IP-20, "Removal and Installation"](#) [Console Power Socket or Front Power Socket (Center Armrest) if equipped] to remove the center console.

Removal

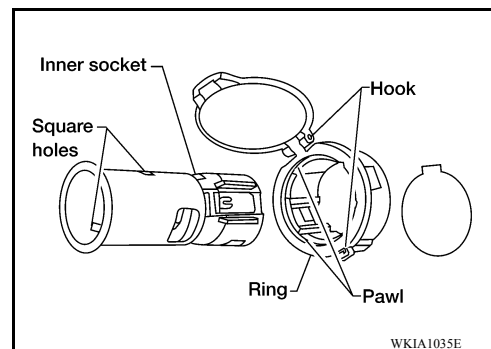
1. Remove the fuse for the power socket.
2. Insert one end of the Tool (A) into one of the square holes inside the power socket.

**Tool number:** — (J-42059)

3. Lift up the handle of the Tool until the other end of the Tool is inside the socket and snaps into the other square hole in the power socket.
4. Pull the power socket straight out with the Tool.



5. Disconnect power socket connector.
6. Remove ring from power socket finisher while pressing pawls.

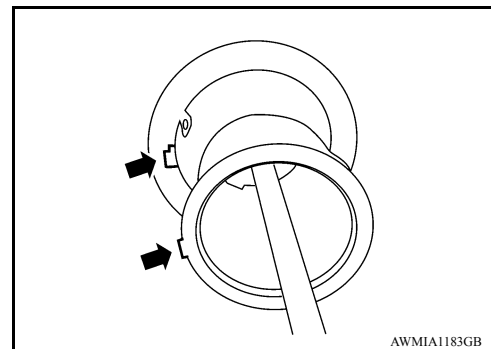


Installation

Installation is in the reverse order of removal.

**NOTE:**

Make sure to align the tab with the square notched area during installation.



### REAR CARGO POWER SOCKET (CARGO BED)

Removal

1. Remove the fuse for the power socket.
2. Remove the rivets attaching the rear cargo power socket finisher to the cargo bed.
3. Disconnect the harness connector from the power socket and remove.

A  
B  
C  
D  
E  
F  
G  
H  
I  
J  
K  
L  
PWO  
N  
O  
P

# POWER SOCKET

< REMOVAL AND INSTALLATION >

[POWER SOCKET]

---

Installation

Installation is in the reverse order of removal.

PRECAUTION

PRECAUTIONS

Precaution for Supplemental Restraint System (SRS) "AIR BAG" and "SEAT BELT PRE-TENSIONER"

INFOID:000000010585848

The Supplemental Restraint System such as "AIR BAG" and "SEAT BELT PRE-TENSIONER", used along with a front seat belt, helps to reduce the risk or severity of injury to the driver and front passenger for certain types of collision. This system includes seat belt switch inputs and dual stage front air bag modules. The SRS system uses the seat belt switches to determine the front air bag deployment, and may only deploy one front air bag, depending on the severity of a collision and whether the front occupants are belted or unbelted. Information necessary to service the system safely is included in the SR and SB section of this Service Manual.

**WARNING:**

- To avoid rendering the SRS inoperative, which could increase the risk of personal injury or death in the event of a collision which would result in air bag inflation, all maintenance must be performed by an authorized NISSAN/INFINITI dealer.
- Improper maintenance, including incorrect removal and installation of the SRS, can lead to personal injury caused by unintentional activation of the system. For removal of Spiral Cable and Air Bag Module, see the SR section.
- Do not use electrical test equipment on any circuit related to the SRS unless instructed to in this Service Manual. SRS wiring harnesses can be identified by yellow and/or orange harnesses or harness connectors.

PRECAUTIONS WHEN USING POWER TOOLS (AIR OR ELECTRIC) AND HAMMERS

**WARNING:**

- When working near the Airbag Diagnosis Sensor Unit or other Airbag System sensors with the Ignition ON or engine running, DO NOT use air or electric power tools or strike near the sensor(s) with a hammer. Heavy vibration could activate the sensor(s) and deploy the air bag(s), possibly causing serious injury.
- When using air or electric power tools or hammers, always switch the Ignition OFF, disconnect the battery and wait at least three minutes before performing any service.

Precaution for Work

INFOID:000000009878237

- When removing or disassembling each component, be careful not to damage or deform it. If a component may be subject to interference, be sure to protect it with a shop cloth.
- When removing (disengaging) components with a screwdriver or similar tool, be sure to wrap the component with a shop cloth or vinyl tape to protect it.
- Protect the removed parts with a shop cloth and prevent them from being dropped.
- Replace a deformed or damaged clip.
- If a part is specified as a non-reusable part, always replace it with a new one.
- Be sure to tighten bolts and nuts securely to the specified torque.
- After installation is complete, be sure to check that each part works properly.
- Follow the steps below to clean components:
  - Water soluble dirt:
    - Dip a soft cloth into lukewarm water, wring the water out of the cloth and wipe the dirty area.
    - Then rub with a soft, dry cloth.
  - Oily dirt:
    - Dip a soft cloth into lukewarm water with mild detergent (concentration: within 2 to 3%) and wipe the dirty area.
    - Then dip a cloth into fresh water, wring the water out of the cloth and wipe the detergent off.
    - Then rub with a soft, dry cloth.
  - Do not use organic solvent such as thinner, benzene, alcohol or gasoline.
  - For genuine leather seats, use a genuine leather seat cleaner.

A  
B  
C  
D  
E  
F  
G  
H  
I  
J  
K  
L  
N  
O  
P

PWO

# PREPARATION

< PREPARATION >

[AC 120 V OUTLET]

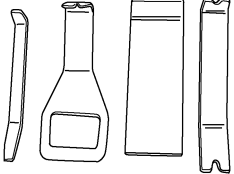
## PREPARATION

### PREPARATION

#### Special Service Tool

INFOID:000000009878238

The actual shape of the tools may differ from those illustrated here.

Tool number (TechMate No.) Tool name	Description
<p>— (J-46534) Trim Tool Set</p>  <p>AWJ1A0483ZZ</p>	Removing trim components

# COMPONENT PARTS

< SYSTEM DESCRIPTION >

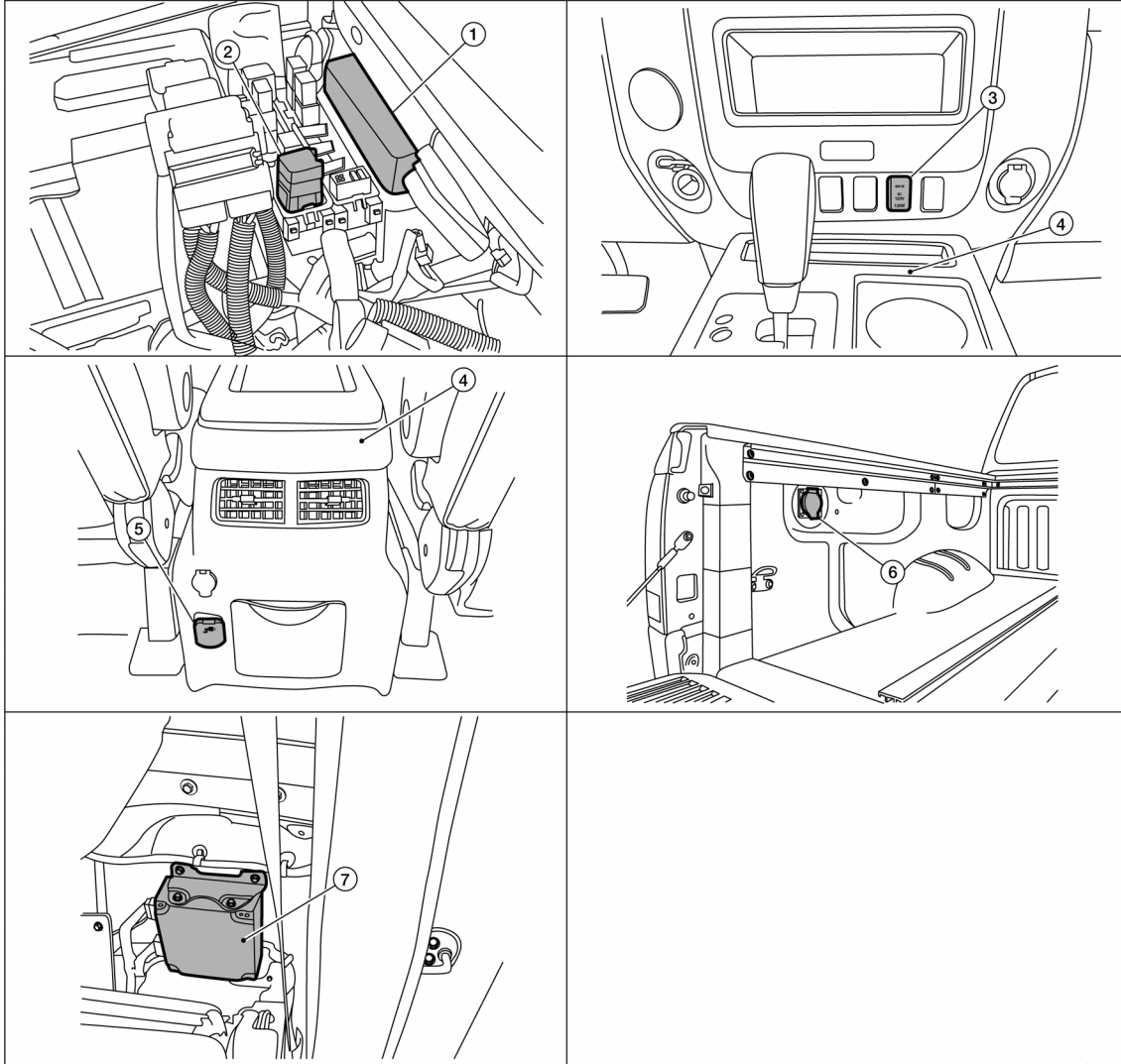
[AC 120 V OUTLET]

## SYSTEM DESCRIPTION

### COMPONENT PARTS

#### Component Parts Location

INFOID:000000009878239



ALMIA0605ZZ

- |  |   |                                      |
|--|---|--------------------------------------|
| 1. IPDM E/R  | 2. Inverter relay (view with relay box cover removed) | 3. AC 120V outlet main switch        |
| 4. Center console  | 5. AC 120V outlet front                               | 6. AC 120V outlet rear (if equipped) |
| 7. Inverter unit (behind left rear seat back) (view with rear panel removed) |   |                                      |

#### Component Description

INFOID:000000009878240

Component	Reference
Inverter unit	<a href="#">PWO-14, "Inverter Unit"</a>
AC 120V outlet main switch	<a href="#">PWO-14, "AC 120V Outlet Main Switch"</a>
AC 120V outlet	<a href="#">PWO-14, "AC 120V Outlet"</a>

A  
B  
C  
D  
E  
F  
G  
H  
I  
J  
K  
L

PWO

N  
O  
P

## COMPONENT PARTS

< SYSTEM DESCRIPTION >

[AC 120 V OUTLET]

---

### Inverter Unit

*INFOID:000000009878241*

The inverter unit converts 12V DC to 120V AC.

### AC 120V Outlet Main Switch

*INFOID:000000009878242*

The AC outlet main switch allows operation of the inverter unit in 150W AC 120V and 400W AC 120V modes.

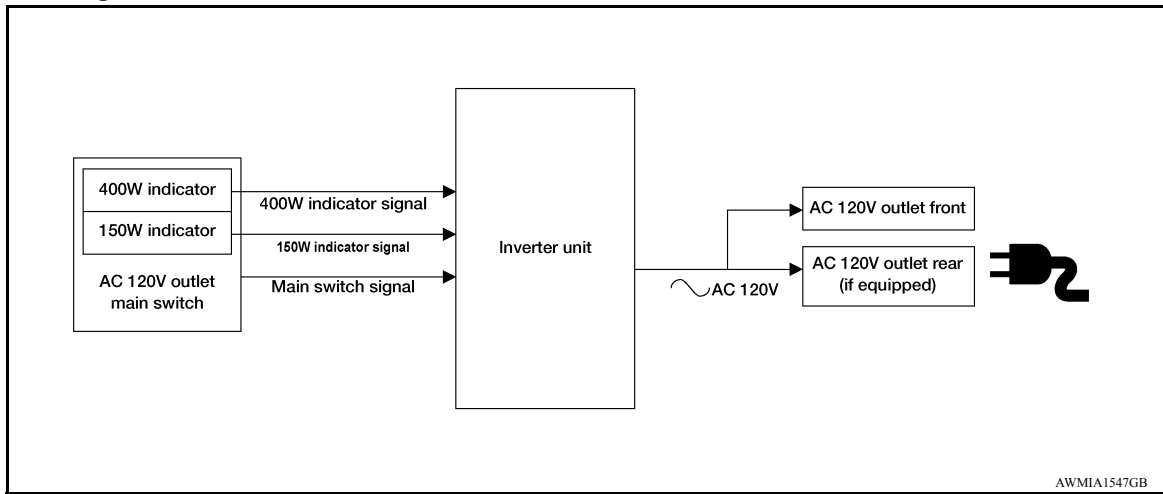
### AC 120V Outlet

*INFOID:000000009878243*

The AC 120V outlet front and AC 120V outlet rear (if equipped) allow use of AC components up to 400W.

SYSTEM

System Diagram



System Description

INFOID:000000009878245

- When turning ON the AC 120V outlet main switch with the ignition switch ON, the 150W indicator turns ON and the inverter unit is activated allowing the use of devices up to 150W.
- When the vehicle is placed in P (Park) with the ignition switch ON, turning ON the AC 120V outlet main switch turns ON the 400W indicator and the inverter unit is activated, allowing the use of devices up to 400W.
- The inverter unit converts 12V DC to 120V AC and outputs the converted voltage to the AC 120V outlet front and AC 120V outlet rear (if equipped) two seconds after the AC 120V outlet main switch is turned ON.

Fail-safe

INFOID:000000009878246

When a malfunction listed below occurs, the inverter unit turns OFF the AC 120V outlet main switch indicator and stops the output.

Malfunction item	Fail-safe condition	Fail-safe cancellation condition
Inverter unit power supply voltage is greater than 15V	When inverter unit input voltage rises above 15V, the output will be suspended to protect the inverter unit.	After the inverter unit power supply voltage drops below 15V, the AC 120V outlet main switch ON ⇒ OFF ⇒ ON operation allows normal return.
Inverter unit power supply voltage is less than 11.5V for 2 seconds or more	When inverter unit input voltage is lowered, the output will be suspended to protect the battery from running out.	After the inverter unit power supply voltage rises above 11.5V, the AC 120V outlet main switch ON ⇒ OFF ⇒ ON operation allows normal return.
Inverter unit power supply voltage is less than 9V		
Inverter unit AC 120V output voltage is greater than 170V	When inverter unit AC 120V output voltage is greater than 170V, the output will be suspended.	After the inverter unit AC 120V output voltage drops below 170V, the AC 120V outlet main switch ON ⇒ OFF ⇒ ON operation allows normal return.
Inverter unit output current is greater than 3.7A (400W mode)	When inverter unit output current rises above 3.7A, the output will be suspended to prevent over current (e.g., connecting an electric appliance exceeding rated output).	After the inverter unit output current drops below 3.7A, the AC 120V outlet main switch ON ⇒ OFF ⇒ ON operation allows normal return.
Inverter unit input current is greater than 13.3A (150W mode)	When inverter unit input current rises above 13.3A, the output will be suspended to prevent over current (e.g., connecting an electric appliance exceeding rated output).	After the inverter unit input current drops below 13.3A, the AC 120V outlet main switch ON ⇒ OFF ⇒ ON operation allows normal return.

A  
B  
C  
D  
E  
F  
G  
H  
I  
J  
K  
L  
N  
O  
P

PWO

# SYSTEM

## < SYSTEM DESCRIPTION >

## [AC 120 V OUTLET]

Malfunction item	Fail-safe condition	Fail-safe cancellation condition
Inverter unit is overheated	When the inverter unit is overheated [thermistor temperature above 100°C (212°F)], the output will be suspended to protect the inverter unit.	After the inverter unit temperature is lowered, the AC 120V outlet main switch ON ⇒ OFF ⇒ ON operation allows normal return.
Inverter unit output signal (AC 120V output signal) is shorted	When inverter unit output signal is shorted, the output will be suspended.	After recovering from inverter unit output signal short, the AC 120V outlet main switch ON ⇒ OFF ⇒ ON operation allows normal return.



# INVERTER UNIT

< ECU DIAGNOSIS INFORMATION >

[AC 120 V OUTLET]

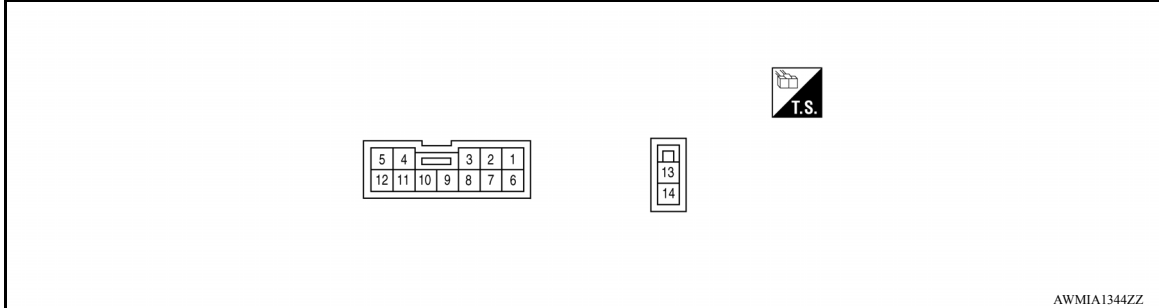
## ECU DIAGNOSIS INFORMATION

### INVERTER UNIT

Reference Value

INFOID:000000009878247

#### TERMINAL LAYOUT



#### PHYSICAL VALUES

Terminal No. (Wire color)		Description		Condition		Value (Approx.)	
+	-	Signal name	Input/ Output				
1 (L)	Ground	AC sw signal input	Input	Ignition switch ON	AC 120V outlet main switch OFF	0V	
					AC 120V outlet main switch ON	12V	
3 (G)	Ground	400W indicator drive signal	Input	Ignition switch ON	AC 120V outlet main switch OFF	0V	
					AC 120V outlet main switch ON	12V	
5 (G)	11 (BR)	AC output 1	Output	Ignition switch ON	AC 120V outlet main switch OFF	0V	
						AC 120V outlet main switch ON (Using circuit tester)	AC 120V
						AC 120V outlet main switch ON (Using oscilloscope)	<div style="text-align: center;"> <p>Reference value</p> <p>RMS 120V</p> <p>AC 120V</p> </div>
6 (W)	Ground	Input park signal	Input	Ignition switch ON	AC 120V outlet main switch OFF	0V	
					AC 120V outlet main switch ON with A/T selector lever in P (Park)	12V	
7 (SB)	Ground	RLY output signal	Input	Ignition switch ON	AC 120V outlet main switch OFF	0V	
					AC 120V outlet main switch ON	12V	

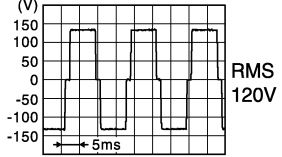
A  
B  
C  
D  
E  
F  
G  
H  
I  
J  
K  
L  
N  
O  
P

PWO

# INVERTER UNIT

< ECU DIAGNOSIS INFORMATION >

[AC 120 V OUTLET]

Terminal No. (Wire color)		Description		Condition	Value (Approx.)	
+	-	Signal name	Input/ Output			
11 (BR)	5 (G)	AC output 2	Output	Ignition switch ON	AC 120V outlet main switch OFF	0V
					AC 120V outlet main switch ON (Using circuit tester)	AC 120V
					AC 120V outlet main switch ON (Using oscilloscope)	Reference value 
13 (B)	Ground	Ground	—	Ignition switch ON	0V	
14 (W)		Battery power supply	Input	Ignition switch ON	AC 120V outlet main switch OFF	0V
					AC 120V outlet main switch ON	Battery voltage

**CAUTION:**

- To measure AC 120V output signal, always use the circuit tester or oscilloscope AC range. Never allow the probes to contact each other.
- Because of modified sine wave output of the AC 120V output signal, voltage cannot be measured accurately without using a circuit tester that can measure true RMS (root mean square).

**Fail-safe**

INFOID:000000009878248

When a malfunction listed below occurs, the inverter unit turns OFF the AC 120V outlet main switch indicator and stops the output.

Malfunction item	Fail-safe condition	Fail-safe cancellation condition
Inverter unit power supply voltage is greater than 15V	When inverter unit input voltage rises above 15V, the output will be suspended to protect the inverter unit.	After the inverter unit power supply voltage drops below 15V, the AC 120V outlet main switch ON ⇒ OFF ⇒ ON operation allows normal return.
Inverter unit power supply voltage is less than 11.5V for 2 seconds or more	When inverter unit input voltage is lowered, the output will be suspended to protect the battery from running out.	After the inverter unit power supply voltage rises above 11.5V, the AC 120V outlet main switch ON ⇒ OFF ⇒ ON operation allows normal return.
Inverter unit power supply voltage is less than 9V		
Inverter unit AC 120V output voltage is greater than 170V	When inverter unit AC 120V output voltage is greater than 170V, the output will be suspended.	After the inverter unit AC 120V output voltage drops below 170V, the AC 120V outlet main switch ON ⇒ OFF ⇒ ON operation allows normal return.
Inverter unit output current is greater than 3.7A (400W mode)	When inverter unit output current rises above 3.7A, the output will be suspended to prevent over current (e.g., connecting an electric appliance exceeding rated output).	After the inverter unit output current drops below 3.7A, the AC 120V outlet main switch ON ⇒ OFF ⇒ ON operation allows normal return.
Inverter unit input current is greater than 13.3A (150W mode)	When inverter unit input current rises above 13.3A, the output will be suspended to prevent over current (e.g., connecting an electric appliance exceeding rated output).	After the inverter unit input current drops below 13.3A, the AC 120V outlet main switch ON ⇒ OFF ⇒ ON operation allows normal return.

# INVERTER UNIT

< ECU DIAGNOSIS INFORMATION >

[AC 120 V OUTLET]

Malfunction item	Fail-safe condition	Fail-safe cancellation condition
Inverter unit is overheated	When the inverter unit is overheated [thermistor temperature above 100°C (212°F)], the output will be suspended to protect the inverter unit.	After the inverter unit temperature is lowered, the AC 120V outlet main switch ON ⇒ OFF ⇒ ON operation allows normal return.
Inverter unit output signal (AC 120V output signal) is shorted	When inverter unit output signal is shorted, the output will be suspended.	After recovering from inverter unit output signal short, the AC 120V outlet main switch ON ⇒ OFF ⇒ ON operation allows normal return.

A  
B  
C  
D  
E  
F  
G  
H  
I  
J  
K  
L

PWO

N  
O  
P

# WIRING DIAGRAM

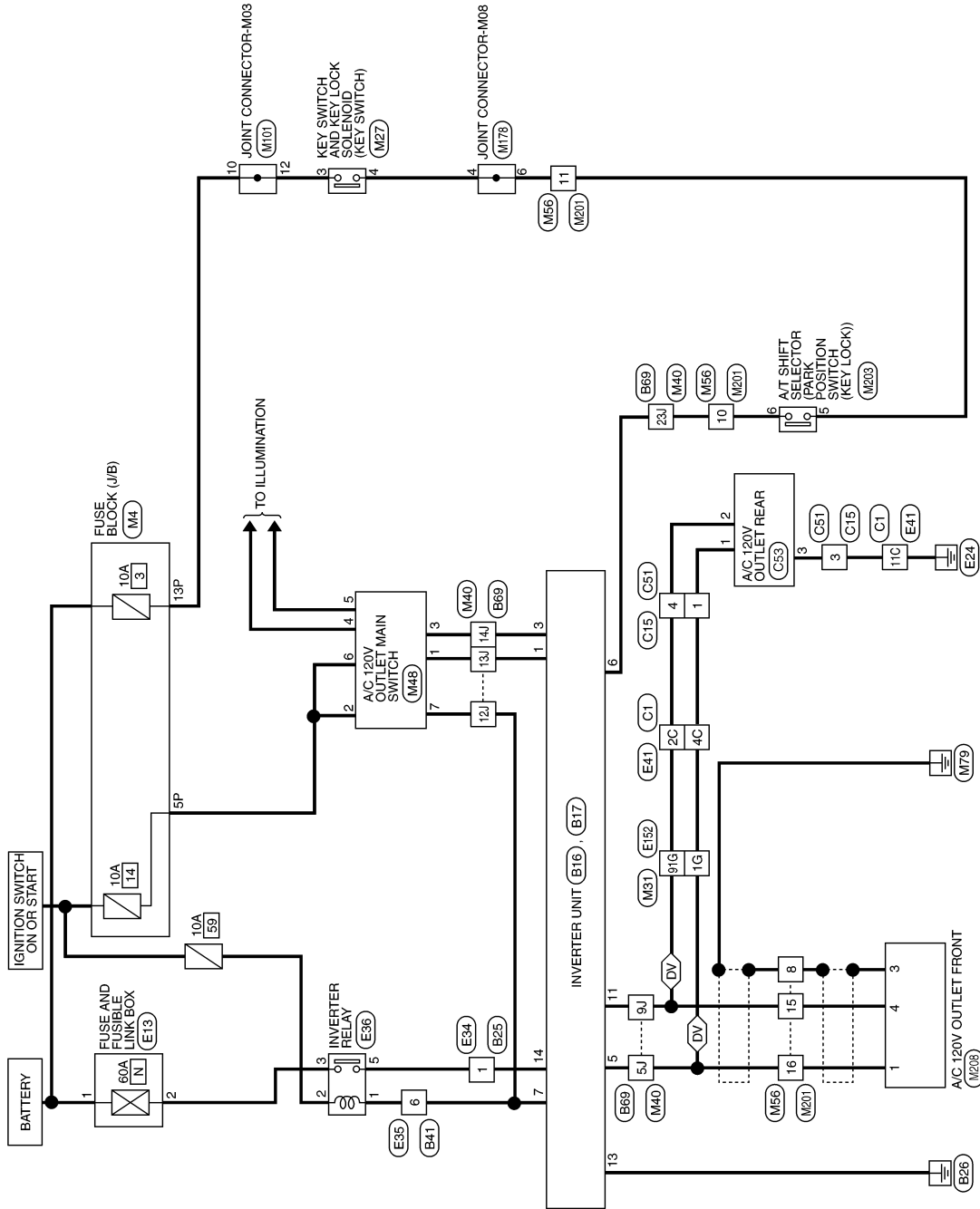
## INVERTER UNIT

### Wiring Diagram

INFOID:000000009878249

◁DV▷ : WITH REAR AC 120V OUTLET

INVERTER SYSTEM



ABMWA2581GB

# INVERTER UNIT

< WIRING DIAGRAM >

[AC 120 V OUTLET]

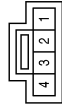
## INVERTER SYSTEM CONNECTORS

Connector No.	M4
Connector Name	FUSE BLOCK (J/B)
Connector Color	WHITE



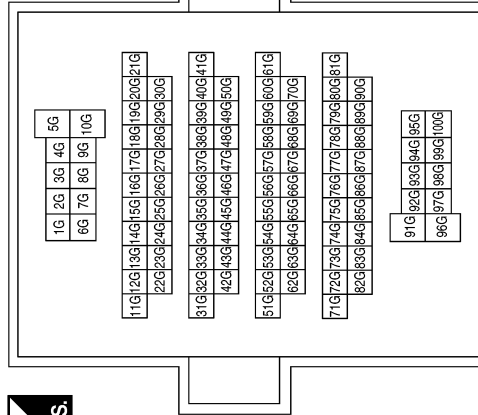
Terminal No.	Color of Wire	Signal Name
5P	O/L	-
13P	P	-

Connector No.	M27
Connector Name	KEY SWITCH AND KEY LOCK SOLENOID
Connector Color	WHITE



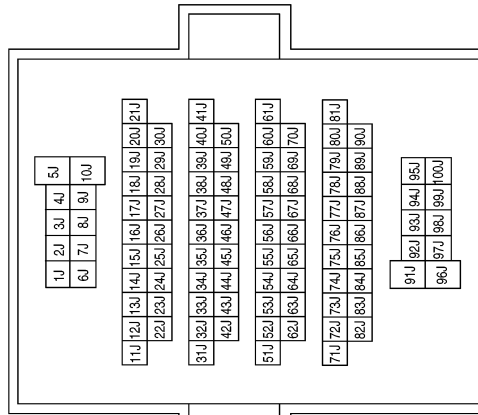
Terminal No.	Color of Wire	Signal Name
3	P	-
4	B/R	-

Connector No.	M31
Connector Name	WIRE TO WIRE
Connector Color	WHITE



Terminal No.	Color of Wire	Signal Name
1G	G	-
91G	BR	-

Connector No.	M40
Connector Name	WIRE TO WIRE
Connector Color	WHITE



Terminal No.	Color of Wire	Signal Name
5J	G	-
9J	BR	-
12J	SB	-
13J	L	-
14J	G	-
23J	W	-

A  
B  
C  
D  
E  
F  
G  
H  
I  
J  
K  
L  
N  
O  
P

PWO

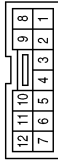
ABMIA6079GB

# INVERTER UNIT

< WIRING DIAGRAM >

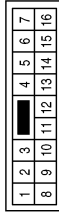
[AC 120 V OUTLET]

Connector No.	M48
Connector Name	A/C 120V OUTLET MAIN SWITCH
Connector Color	WHITE



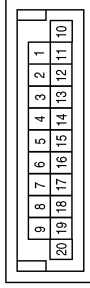
Terminal No.	Color of Wire	Signal Name
1	L	-
2	R	-
3	G	-
4	V	-
5	BR	-
6	R	-
7	SB	-

Connector No.	M56
Connector Name	WIRE TO WIRE
Connector Color	WHITE



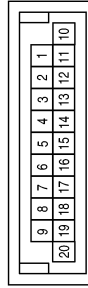
Terminal No.	Color of Wire	Signal Name
8	SHIELD	-
10	L/R	-
11	B/R	-
15	BR	-
16	G	-

Connector No.	M101
Connector Name	JOINT CONNECTOR-M03
Connector Color	BLUE



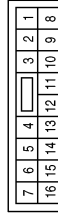
Terminal No.	Color of Wire	Signal Name
10	P	-
12	P	-

Connector No.	M178
Connector Name	JOINT CONNECTOR-M08
Connector Color	WHITE



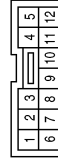
Terminal No.	Color of Wire	Signal Name
4	B/R	-
6	B/R	-

Connector No.	M201
Connector Name	WIRE TO WIRE
Connector Color	WHITE



Terminal No.	Color of Wire	Signal Name
8	SHIELD	-
10	L/R	-
11	B/R	-
15	BR	-
16	G	-

Connector No.	M203
Connector Name	A/T SHIFT SELECTOR (FLOOR SHIFT)
Connector Color	WHITE




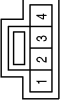
Terminal No.	Color of Wire	Signal Name
5	B/R	-
6	L/R	-

# INVERTER UNIT

< WIRING DIAGRAM >


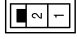
[AC 120 V OUTLET]

Connector No.	M208
Connector Name	A/C 120V OUTLET FRONT
Connector Color	WHITE



Terminal No.	Color of Wire	Signal Name
1	G	-
3	SHIELD	-
4	BR	-

Connector No.	E13
Connector Name	FUSE AND FUSIBLE LINK BOX
Connector Color	BLACK


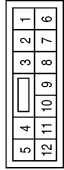
Terminal No.	Color of Wire	Signal Name
1	W	-
2	R	-

Connector No.	E34
Connector Name	WIRE TO WIRE
Connector Color	BLACK


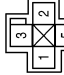
Terminal No.	Color of Wire	Signal Name
1	W	-

Connector No.	E35
Connector Name	WIRE TO WIRE
Connector Color	WHITE


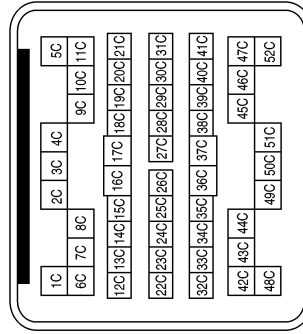
Terminal No.	Color of Wire	Signal Name
6	SB	-

Connector No.	E36
Connector Name	INVERTER RELAY
Connector Color	BLUE

Terminal No.	Color of Wire	Signal Name
1	SB	-
2	L/W	-
3	R	-
4	W	-

Connector No.	E41
Connector Name	WIRE TO WIRE
Connector Color	GRAY

Terminal No.	Color of Wire	Signal Name
2C	BR	-
4C	G	-
11C	B	-

A  
B  
C  
D  
E  
F  
G  
H  
I  
J  
K  
L  
N  
O  
P

PWO

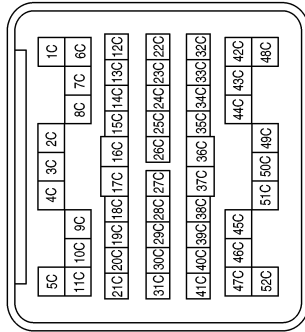
ABMIA6081GB

# INVERTER UNIT

< WIRING DIAGRAM >

[AC 120 V OUTLET]

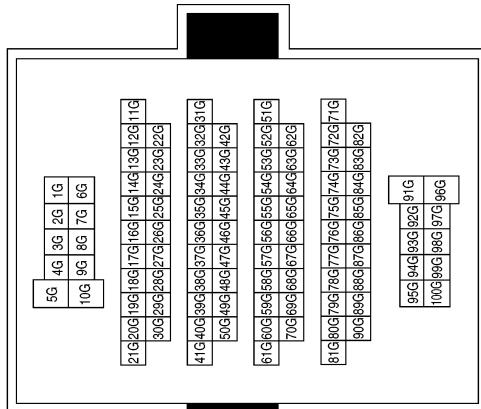
Connector No.	C1
Connector Name	WIRE TO WIRE
Connector Color	GRAY



Terminal No.	Color of Wire	Signal Name
2C	BR	-
4C	G	-
11C	B	-

Terminal No.	Color of Wire	Signal Name
1G	G	-
91G	BR	-

Connector No.	E152
Connector Name	WIRE TO WIRE
Connector Color	WHITE

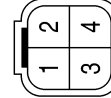


Connector No.	C53
Connector Name	A/C 120V OUTLET REAR
Connector Color	GRAY



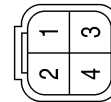
Terminal No.	Color of Wire	Signal Name
1	G	-
2	BR	-
3	B	-

Connector No.	C51
Connector Name	WIRE TO WIRE
Connector Color	GRAY



Terminal No.	Color of Wire	Signal Name
1	G	-
3	B	-
4	BR	-

Connector No.	C15
Connector Name	WIRE TO WIRE
Connector Color	GRAY



Terminal No.	Color of Wire	Signal Name
1	G	-
3	B	-
4	BR	-

ABMIA6082GB



# INVERTER UNIT

< WIRING DIAGRAM >

[AC 120 V OUTLET]

Connector No.	B17	
Connector Name	INVERTER UNIT	
Connector Color	WHITE	

Terminal No.	Color of Wire	Signal Name
13	B	GND
14	W	POWER

Terminal No.	Color of Wire	Signal Name
7	SB	FLY OUTPUT
8	-	-
9	-	-
10	-	-
11	BR	BR AC OUTPUT 2
12	-	-

Connector No.	B16	
Connector Name	INVERTER UNIT	
Connector Color	WHITE	

Terminal No.	Color of Wire	Signal Name
1	L	AC SW SIGNAL INPUT
2	-	-
3	G	400W INDICATOR DRIVE
4	-	-
5	G	AC OUTPUT 1
6	W	INPUT PARK SIGNAL

Connector No.	B41	
Connector Name	WIRE TO WIRE	
Connector Color	WHITE	

Terminal No.	Color of Wire	Signal Name
6	SB	-

Connector No.	B25	
Connector Name	WIRE TO WIRE	
Connector Color	BLACK	

Terminal No.	Color of Wire	Signal Name
1	W	-

ABMIA4059GB

A  
B  
C  
D  
E  
F  
G  
H  
I  
J  
K  
L  
N  
O  
P

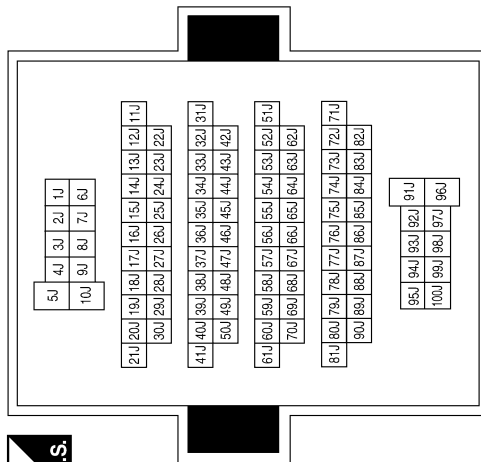
PWO

# INVERTER UNIT

< WIRING DIAGRAM >

[AC 120 V OUTLET]

Connector No.	B69
Connector Name	WIRE TO WIRE
Connector Color	WHITE



Terminal No.	Color of Wire	Signal Name
5J	G	-
9J	BR	-
12J	SB	-
13J	L	-
14J	G	-
23J	W	-

ABMIA4065GB

# DIAGNOSIS AND REPAIR WORK FLOW

< BASIC INSPECTION >

[AC 120 V OUTLET]

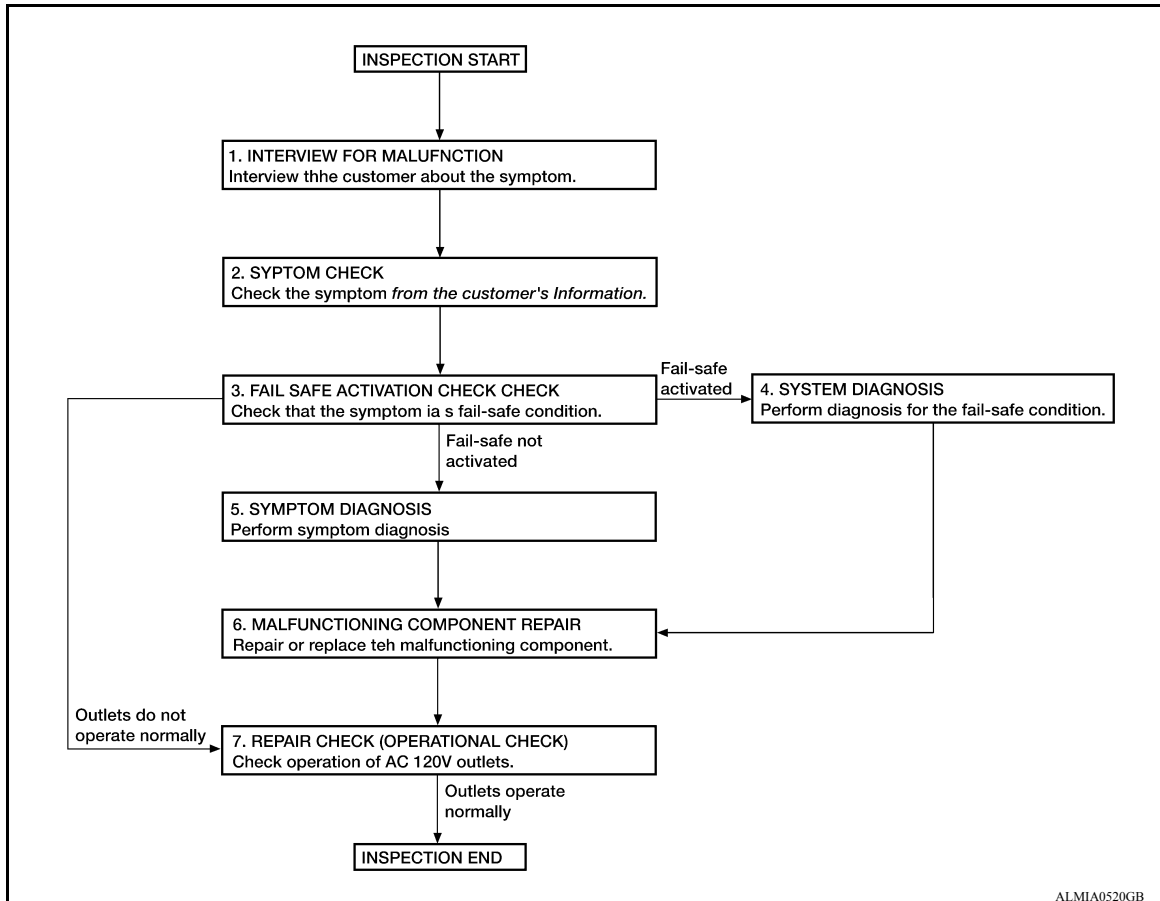
## BASIC INSPECTION

### DIAGNOSIS AND REPAIR WORK FLOW

Work Flow

INFOID:000000009878250

#### OVERALL SEQUENCE



#### DETAILED FLOW

##### 1. INTERVIEW FOR MALFUNCTION

Interview the customer about the symptom.

>> GO TO 2.

##### 2. SYMPTOM CHECK

Check the symptom from the customer's information.

>> GO TO 3.

##### 3. FAIL-SAFE ACTIVATION CHECK

Check that the symptom is a fail-safe condition.

Is fail-safe activated?

YES >> GO TO 4.

NO >> GO TO 5.

##### 4. SYSTEM DIAGNOSIS

Perform diagnosis for the fail-safe activated system. Specify the malfunctioning component.

A  
B  
C  
D  
E  
F  
G  
H  
I  
J  
K  
L

PWO

N  
O  
P

## DIAGNOSIS AND REPAIR WORK FLOW

< BASIC INSPECTION >

[AC 120 V OUTLET]

---

>> GO TO 6.

### 5. SYMPTOM DIAGNOSIS

---

Perform symptom diagnosis. Specify the malfunctioning component.

>> GO TO 6.

### 6. MALFUNCTIONING COMPONENT REPAIR

---

Repair or replace the malfunctioning component.

>> GO TO 7.

### 7. REPAIR CHECK (OPERATION CHECK)

---

Check operation of AC 120V outlets.

Do the outlets operate normally?

YES >> Inspection End.

NO >> GO TO 3.

# POWER SUPPLY AND GROUND CIRCUIT

< DTC/CIRCUIT DIAGNOSIS >

[AC 120 V OUTLET]

## DTC/CIRCUIT DIAGNOSIS

### POWER SUPPLY AND GROUND CIRCUIT

#### Diagnosis Procedure

INFOID:000000009878251

Regarding Wiring Diagram information, refer to [PWO-20, "Wiring Diagram"](#).

#### 1. CHECK FUSE AND FUSIBLE LINK

Check that the following fuse and fusible link are not blown.

Signal name	Fuse or Fusible Link No. or Letter
Ignition switch ON or START	59 (10A)
Battery power supply	N (60A)

Is the fuse or fusible link blown?

- YES >> Replace the blown fuse or fusible link after repairing the affected circuit.  
NO >> GO TO 2.

#### 2. CHECK INVERTER RELAY

Check inverter relay. Refer to [PWO-30, "Component Inspection \(Inverter Relay\)"](#).

Is the inspection result normal?

- YES >> GO TO 3.  
NO >> Replace inverter relay.

#### 3. CHECK INVERTER UNIT POWER SUPPLY CIRCUIT

1. Connect inverter relay connector.
2. Disconnect inverter unit connector B16.
3. Connect a fused jumper wire between inverter unit connector B16 terminal 7 and ground.
4. Turn ignition switch ON.
5. Check voltage between inverter unit connector B17 terminal 14 and ground.

Inverter unit		Ground	Voltage (Approx.)
Connector	Terminal		
B17	14	—	Battery voltage

Is the inspection result normal?

- YES >> GO TO 7.  
NO >> GO TO 4.

#### 4. CHECK INVERTER RELAY POWER SUPPLY CIRCUITS

1. Turn ignition switch OFF.
2. Disconnect inverter relay connector.
3. Check voltage between inverter relay connector E36 terminal 3 and ground.

Inverter relay		Ground	Voltage (Approx.)
Connector	Terminal		
E36	3	—	Battery voltage

4. Turn ignition switch ON.
5. Check voltage between inverter relay connector E36 terminal 1 and ground.

Inverter relay		Ground	Condition	Voltage (Approx.)
Connector	Terminal			

A  
B  
C  
D  
E  
F  
G  
H  
I  
J  
K  
L  
N  
O  
P

PWO

# POWER SUPPLY AND GROUND CIRCUIT

< DTC/CIRCUIT DIAGNOSIS >

[AC 120 V OUTLET]

E36	1	—	Ignition switch ON	Battery voltage
			Ignition switch OFF	0V

Is the inspection result normal?

YES >> GO TO 5.

NO >> Repair or replace the inverter relay power supply circuit.

## 5.CHECK INVERTER UNIT POWER SUPPLY CIRCUIT FOR OPEN

1. Turn ignition switch OFF.
2. Disconnect inverter unit connector B17.
3. Check continuity between inverter relay connector E36 terminal 5 and inverter unit connector B17 terminal 14.

Inverter relay		Inverter unit		Continuity
Connector	Terminal	Connector	Terminal	
E36	5	B17	14	Yes

Is the inspection result normal?

YES >> GO TO 6.

NO >> Repair or replace the inverter unit power supply circuit.

## 6.CHECK INVERTER RELAY COIL CIRCUIT FOR OPEN

Check continuity between inverter relay connector E36 terminal 2 and inverter unit connector B16 terminal 7.

Inverter relay		Inverter unit		Continuity
Connector	Terminal	Connector	Terminal	
E36	2	B16	7	Yes

Is the inspection result normal?

YES >> GO TO 7.

NO >> Repair or replace the inverter unit coil circuit.

## 7.CHECK INVERTER UNIT GROUND CIRCUIT

1. Turn ignition switch OFF.
2. Check continuity between inverter unit connector B17 terminal 13 and ground.

Inverter unit		Ground	Continuity
Connector	Terminal		
B17	13	—	Yes

Is the inspection result normal?

YES >> Inspection End.

NO >> Repair or replace the inverter unit ground circuit.

## Component Inspection (Inverter Relay)

INFOID:000000009878252

### 1.CHECK INVERTER RELAY

1. Turn ignition switch OFF.
2. Disconnect inverter relay connector.
3. Apply battery voltage to inverter relay terminal 1 and ground to terminal 2.
4. Check continuity between inverter relay terminals 3 and 5.

Inverter relay terminals	Condition	Continuity
3 – 5	Battery voltage applied to terminal 1 and ground to terminal 2	Yes
	Voltage and ground removed	No

# POWER SUPPLY AND GROUND CIRCUIT

< DTC/CIRCUIT DIAGNOSIS >

[AC 120 V OUTLET]

Is the inspection result normal?

- YES >> Inspection End.
- NO >> Replace inverter relay.

A  
B  
C  
D  
E  
F  
G  
H  
I  
J  
K  
L  
PWO  
N  
O  
P

# AC 120 V OUTLET MAIN SWITCH POWER SUPPLY CIRCUIT

< DTC/CIRCUIT DIAGNOSIS >

[AC 120 V OUTLET]

## AC 120 V OUTLET MAIN SWITCH POWER SUPPLY CIRCUIT

### Diagnosis Procedure

INFOID:000000009878253

Regarding Wiring Diagram information, refer to [PWO-20. "Wiring Diagram"](#).

#### 1. CHECK FUSE

Check that the following fuse is not blown.

Signal name	Fuse No.
Ignition switch ON or START	14 (10A)

Is the fuse blown?

- YES >> Replace the blown fuse after repairing the affected circuit.
- NO >> GO TO 2.

#### 2. CHECK POWER SUPPLY FOR AC 120V OUTLET MAIN SWITCH

1. Turn ignition switch ON.
2. Check for voltage between the AC 120V outlet main switch connector and ground.

AC 120V outlet main switch		Ground	Condition	Voltage (Approx.)
Connector	Terminal			
M48	2	—	Ignition switch ON	Battery voltage
			Ignition switch OFF	0V

Is the inspection result normal?

- YES >> Inspection End.
- NO >> Repair or replace the AC 120V main switch power supply circuit.



# AC 120 V OUTLET MAIN SWITCH INPUT SIGNAL CIRCUIT

< DTC/CIRCUIT DIAGNOSIS >

[AC 120 V OUTLET]

## AC 120 V OUTLET MAIN SWITCH INPUT SIGNAL CIRCUIT

### Diagnosis Procedure

INFOID:000000009878254

Regarding Wiring Diagram information, refer to [PWO-20. "Wiring Diagram"](#).

#### 1. CHECK AC 120V OUTLET MAIN SWITCH INPUT SIGNAL

1. Turn ignition switch ON.
2. AC 120V outlet main switch ON.
3. Check for voltage between the inverter unit harness connector B16 terminal 1 and ground.

Inverter unit		Ground	Condition	Voltage (Approx.)
Connector	Terminal			
B16	1	—	AC 120V outlet main switch OFF	0V
			AC 120V outlet main switch ON	Battery voltage

Is the inspection result normal?

- YES >> Inspection End.  
NO >> GO TO 2.

#### 2. CHECK AC 120V OUTLET MAIN SWITCH

Check AC 120V outlet main switch. Refer to [PWO-33. "Component Inspection \(AC 120V Outlet Main Switch\)"](#).

Is the inspection result normal?

- YES >> GO TO 3.  
NO >> Replace AC 120V outlet main switch. Refer to [PWO-44. "Removal and Installation"](#).

#### 3. CHECK HARNESS BETWEEN INVERTER UNIT AND AC 120V OUTLET MAIN SWITCH

1. Disconnect inverter unit connector B16.
2. Check for continuity between the inverter unit connector B16 terminal 1 and AC 120V outlet main switch connector M48 terminal 1.

Inverter unit		AC 120V outlet main switch		Continuity
Connector	Terminal	Connector	Terminal	
B16	1	M48	1	Yes

3. Check for continuity between inverter unit connector B16 terminal 1 and ground.

Inverter unit		Ground	Continuity
Connector	Terminal		
B16	1	—	No

Is the inspection result normal?

- YES >> Inspection End.  
NO >> Repair or replace the AC 120V outlet main switch input signal circuit.

### Component Inspection (AC 120V Outlet Main Switch)

INFOID:000000009878255

#### 1. CHECK AC 120V OUTLET MAIN SWITCH

1. Turn ignition switch OFF.
2. Disconnect AC 120V outlet main switch connector.
3. Check continuity between terminals 1 and 2 of AC 120V outlet main switch.

# AC 120 V OUTLET MAIN SWITCH INPUT SIGNAL CIRCUIT

< DTC/CIRCUIT DIAGNOSIS >

[AC 120 V OUTLET]

AC 120V outlet main switch terminals	Condition	Continuity
1-2	AC 120V outlet main switch ON	Yes
	AC 120V outlet main switch OFF	No

Is the inspection result normal?

YES >> Inspection End.

NO >> Replace AC 120V outlet main switch. Refer to [PWO-44, "Removal and Installation"](#).

# AC 120 V POWER OUTPUT CIRCUIT

< DTC/CIRCUIT DIAGNOSIS >

[AC 120 V OUTLET]

## AC 120 V POWER OUTPUT CIRCUIT

### Diagnosis Procedure

INFOID:000000009878256

Regarding Wiring Diagram information, refer to [PWO-20, "Wiring Diagram"](#).

### 1. CHECK HARNESS BETWEEN INVERTER UNIT AND AC 120V OUTLETS

1. Turn ignition switch OFF.
2. Disconnect inverter unit connector B16, AC 120V outlet front connector and AC 120V outlet rear connector.
3. Check continuity between inverter unit connector B16 terminals 5, 11 and AC 120V outlet front connector M208 terminals 1, 4.

Inverter unit		AC 120V outlet front		Continuity
Connector	Terminal	Connector	Terminal	
B16	5	M208	1	Yes
	11		4	

4. Check continuity between inverter unit connector B16 terminals 5, 11 and AC 120V outlet rear connector C53 terminals 1, 2.

Inverter unit		AC 120V outlet rear		Continuity
Connector	Terminal	Connector	Terminal	
B16	5	C53	1	Yes
	11		2	

5. Check continuity between inverter unit connector B16 terminals 5, 11 and ground.

Inverter unit		Ground	Continuity
Connector	Terminal		
B16	5	—	No
	11		

6. Check continuity between inverter unit connector B16 terminals 5 and 11.

Inverter unit			Continuity
Connector	Terminal		
B16	5	11	No

Is the inspection result normal?

YES >> GO TO 2.

NO >> Repair or replace the harness or connectors.

### 2. CHECK INVERTER UNIT OUTPUT SIGNAL

1. Connect inverter unit connector B16, AC 120V outlet front connector and AC 120V outlet rear connector.
2. Turn ignition switch ON.
3. AC 120V outlet main switch ON (AC 120V outlet main switch 150W indicator ON).
4. Check voltage between inverter unit connector B16 terminals 5 and 11.

#### CAUTION:

- To measure AC 120V output signal, always use the circuit tester AC range.
- Never allow the probes to contact each other.

## AC 120 V POWER OUTPUT CIRCUIT

< DTC/CIRCUIT DIAGNOSIS >

[AC 120 V OUTLET]

Terminals		Condition	Voltage (Approx.)
(+)	(-)		
Inverter unit connector B16		AC 120V outlet main switch	
Terminal			
5	11	All indicators OFF	0V
		150W indicator ON	AC 120V

Is the inspection result normal?

YES >> GO TO 3

NO >> Replace inverter unit. Refer to [PWO-43. "Removal and Installation"](#).

### 3. CHECK AC 120V OUTLET FRONT VOLTAGE

1. AC 120V outlet main switch ON (AC 120V outlet main switch 150W indicator ON).
2. Check voltage between AC 120V outlet front M208 terminals 1 and 4.

**CAUTION:**

- To measure AC 120V output signal, always use the circuit tester AC range.
- Never allow the probes to contact each other.

Terminals		Condition	Voltage (Approx.)
(+)	(-)		
AC 120V outlet front connector M208		AC 120V outlet main switch	
Terminal			
1	4	OFF	0V
		ON	AC 120V

Is the inspection result normal?

YES >> GO TO 4

NO >> Replace AC 120V outlet front. Refer to [PWO-45. "Removal and Installation - Front"](#).

### 4. CHECK AC 120V OUTLET FRONT GROUND CIRCUIT

1. AC 120V outlet main switch OFF.
2. Turn ignition switch OFF.
3. Disconnect AC 120V outlet front connector.
4. Check continuity between AC 120V outlet front connector M208 terminal 3 and ground.

AC 120V outlet front		Ground	Continuity
Connector	Terminal		
M208	3	—	Yes

Is the inspection result normal?

YES >> GO TO 5

NO >> Repair AC 120V outlet front ground circuit.

### 5. CHECK AC 120V OUTLET REAR VOLTAGE

1. Turn ignition switch ON.
2. AC 120V outlet main switch ON (AC 120V outlet main switch 150W indicator ON).
3. Check voltage between AC 120V outlet rear C53 terminals 1 and 2.

**CAUTION:**

- To measure AC 120V output signal, always use the circuit tester AC range.
- Never allow the probes to contact each other.

# AC 120 V POWER OUTPUT CIRCUIT

< DTC/CIRCUIT DIAGNOSIS >

[AC 120 V OUTLET]

Terminals		Condition	Voltage (Approx.)
(+)	(-)		
AC 120V outlet rear connector C53		AC 120V outlet main switch	
Terminal			
1	2	OFF	0V
		ON	AC 120V

Is the inspection result normal?

YES >> GO TO 6

NO >> Replace AC 120V outlet rear. Refer to [PWO-45. "Removal and Installation - Front"](#).

## 6. CHECK AC 120V OUTLET REAR GROUND CIRCUIT

1. AC 120V outlet main switch OFF.
2. Turn ignition switch OFF.
3. Disconnect AC 120V outlet rear connector.
4. Check continuity between AC 120V outlet rear connector C53 terminal 3 and ground.

AC 120V outlet rear		Ground	Continuity
Connector	Terminal		
C53	3	—	Yes

Is the inspection result normal?

YES >> Inspection End.

NO >> Repair AC 120V outlet rear ground circuit.

A  
B  
C  
D  
E  
F  
G  
H  
I  
J  
K  
L

PWO

N  
O  
P

# AC 120 V OUTLET MAIN SWITCH INDICATOR CIRCUIT

< DTC/CIRCUIT DIAGNOSIS >

[AC 120 V OUTLET]

## AC 120 V OUTLET MAIN SWITCH INDICATOR CIRCUIT

### Diagnosis Procedure (150W Indicator)

INFOID:000000009878257

Regarding Wiring Diagram information, refer to [PWO-20. "Wiring Diagram"](#).

#### 1. CHECK POWER SUPPLY FOR AC 120V OUTLET MAIN SWITCH INDICATOR

1. Turn ignition switch ON.
2. Check for voltage between the AC 120V outlet main switch connector M48 terminal 6 and ground.

AC 120V outlet main switch		Ground	Condition	Voltage (Approx.)
Connector	Terminal			
M48	6	—	Ignition switch ON	Battery voltage
			Ignition switch OFF	0V

Is the inspection result normal?

YES >> GO TO 2.

NO >> Repair or replace the AC 120V outlet main switch indicator power supply circuit.

#### 2. CHECK AC 120V OUTLET MAIN SWITCH 150W INDICATOR GROUND CIRCUIT

1. Turn ignition switch OFF.
2. Disconnect AC 120V outlet main switch connector and inverter unit connector B16.
3. Check continuity between AC 120V outlet main switch connector M48 terminal 7 and inverter unit connector B16 terminal 7.

AC 120V outlet main switch		Inverter unit		Continuity
Connector	Terminal	Connector	Terminal	
M48	7	B16	7	Yes

Is the inspection result normal?

YES >> Replace AC 120V outlet main switch. Refer to [PWO-44. "Removal and Installation"](#).

NO >> Repair or replace the AC 120V outlet main switch 150W indicator ground circuit.

### Diagnosis Procedure (400W Indicator)

INFOID:000000009878258

Regarding Wiring Diagram information, refer to [PWO-20. "Wiring Diagram"](#).

#### 1. CHECK AC 120V OUTLET MAIN SWITCH INDICATORS

Check AC 120V outlet main switch indicators. Refer to [PWO-39. "Component Inspection \(AC 120V Outlet Main Switch Indicators\)"](#).

Is the inspection result normal?

YES >> GO TO 2.

NO >> Replace AC 120V outlet main switch.

#### 2. CHECK POWER SUPPLY FOR AC 120V OUTLET MAIN SWITCH INDICATOR

1. Turn ignition switch ON.
2. Check for voltage between the AC 120V outlet main switch connector M48 terminal 6 and ground.

AC 120V outlet main switch		Ground	Condition	Voltage (Approx.)
Connector	Terminal			

# AC 120 V OUTLET MAIN SWITCH INDICATOR CIRCUIT

< DTC/CIRCUIT DIAGNOSIS >

[AC 120 V OUTLET]

M48	6	—	Ignition switch ON	Battery voltage
			Ignition switch OFF	0V

Is the inspection result normal?

YES >> GO TO 3.

NO >> Repair or replace the AC 120V outlet main switch indicator power supply circuit.

## 3. CHECK AC 120V OUTLET MAIN SWITCH 400W INDICATOR GROUND CIRCUIT

1. Turn ignition switch OFF.
2. Disconnect AC 120V outlet main switch connector and inverter unit connector B16.
3. Check continuity between AC 120V outlet main switch connector M48 terminal 3 and inverter unit connector B16 terminal 3.

AC 120V outlet main switch		Inverter unit		Continuity
Connector	Terminal	Connector	Terminal	
M48	3	B16	3	Yes

Is the inspection result normal?

YES >> GO TO 4.

NO >> Repair or replace the AC 120V outlet main switch 400W indicator ground circuit.

## 4. CHECK P RANGE SWITCH SIGNAL CIRCUIT

1. Disconnect shift lock control unit connector.
2. Check continuity between shift lock control unit connector M203 terminal 6 and inverter unit connector B16 terminal 6.

Shift lock control unit		Inverter unit		Continuity
Connector	Terminal	Connector	Terminal	
M203	6	B16	6	Yes

Is the inspection result normal?

YES >> Replace inverter unit. Refer to [PWO-43, "Removal and Installation"](#).

NO >> Repair or replace the P range switch signal circuit.

## Component Inspection (AC 120V Outlet Main Switch Indicators)

INFOID:000000009878259

### 1. CHECK AC 120V OUTLET MAIN SWITCH INDICATORS

1. Turn ignition switch OFF.
2. Disconnect AC 120V outlet main switch connector.
3. Apply battery voltage to AC 120V outlet main switch terminal 6 and ground to terminal 7.

AC 120V outlet main switch terminals	Condition	150W indicator
6 – 7	Battery voltage applied to terminal 6 and ground to terminal 7	ON
	Voltage and ground removed	OFF

4. Apply battery voltage to AC 120V outlet main switch terminal 6 and ground to terminal 3.

AC 120V outlet main switch terminals	Condition	400W indicator
6 – 3	Battery voltage applied to terminal 6 and ground to terminal 3	ON
	Voltage and ground removed	OFF

Is the inspection result normal?

YES >> Inspection End.

NO >> Replace AC 120V outlet main switch. Refer to [PWO-44, "Removal and Installation"](#).

## SYMPTOM DIAGNOSIS

### NO OUTPUT FROM AC 120 V OUTLET

#### Diagnosis Procedure

INFOID:000000009878260

#### 1. CHECK FAIL-SAFE ACTIVATION

---

Check if the symptom is caused by a fail-safe operation. Refer to [PWO-18, "Fail-safe"](#).

Is fail-safe operating?

- YES >> Repair the part causing fail-safe operation.
- NO >> GO TO 2.

#### 2. CHECK INVERTER UNIT POWER SUPPLY CIRCUIT

---

Check inverter unit power supply circuit. Refer to [PWO-29, "Diagnosis Procedure"](#).

Is the inspection result normal?

- YES >> GO TO 3.
- NO >> Repair or replace the malfunctioning parts.

#### 3. CHECK AC 120V OUTLET MAIN SWITCH POWER SUPPLY CIRCUIT

---

Check AC 120V outlet main switch power supply circuit. Refer to [PWO-32, "Diagnosis Procedure"](#).

Is the inspection result normal?

- YES >> GO TO 4.
- NO >> Repair or replace the malfunctioning parts.

#### 4. CHECK AC 120V OUTLET MAIN SWITCH INPUT SIGNAL CIRCUIT

---

Check AC 120V outlet main switch input signal circuit. Refer to [PWO-33, "Diagnosis Procedure"](#).

Is the inspection result normal?

- YES >> GO TO 5.
- NO >> Repair or replace the malfunctioning parts.

#### 5. CHECK INVERTER UNIT POWER OUTPUT CIRCUIT

---

Check inverter unit power output circuit. Refer to [PWO-35, "Diagnosis Procedure"](#).

Is the inspection result normal?

- YES >> Refer to [GI-42, "Intermittent Incident"](#).
- NO >> Repair or replace the malfunctioning parts.



# AC 120 V OUTLET MAIN SWITCH INDICATOR DOES NOT TURN ON

< SYMPTOM DIAGNOSIS >

[AC 120 V OUTLET]

## AC 120 V OUTLET MAIN SWITCH INDICATOR DOES NOT TURN ON

### Diagnosis Procedure

INFOID:000000009878261

#### 1. CHECK FAIL-SAFE ACTIVATION

Check if the symptom is caused by a fail-safe operation. Refer to [PWO-18, "Fail-safe"](#).

Is fail-safe operating?

- YES >> Repair the part causing fail-safe operation.
- NO >> GO TO 2.

#### 2. CHECK INVERTER UNIT POWER SUPPLY CIRCUIT

Check inverter unit power supply circuit. Refer to [PWO-29, "Diagnosis Procedure"](#).

Is the inspection result normal?

- YES >> GO TO 3.
- NO >> Repair or replace the malfunctioning parts.

#### 3. CHECK AC 120V OUTLET MAIN SWITCH POWER SUPPLY CIRCUIT

Check AC 120V outlet main switch power supply circuit. Refer to [PWO-32, "Diagnosis Procedure"](#).

Is the inspection result normal?

- YES >> GO TO 4.
- NO >> Repair or replace the malfunctioning parts.

#### 4. CHECK AC 120V OUTLET MAIN SWITCH INPUT SIGNAL CIRCUIT

Check AC 120V outlet main switch input signal circuit. Refer to [PWO-33, "Diagnosis Procedure"](#).

Is the inspection result normal?

- YES >> GO TO 5.
- NO >> Repair or replace the malfunctioning parts.

#### 5. CHECK AC 120V OUTLET MAIN SWITCH INDICATOR CIRCUIT

Check AC 120V outlet main switch indicator circuit. Refer to [PWO-38, "Diagnosis Procedure \(150W Indicator\)"](#).

Is the inspection result normal?

- YES >> Refer to [GI-42, "Intermittent Incident"](#).
- NO >> Repair or replace the malfunctioning parts.

A  
B  
C  
D  
E  
F  
G  
H  
I  
J  
K  
L  
N  
O  
P

PWO

## NORMAL OPERATING CONDITION

< SYMPTOM DIAGNOSIS >

[AC 120 V OUTLET]

---

### NORMAL OPERATING CONDITION

#### Description

INFOID:000000009878262

Because of modified sine wave output, the AC 120V outlet may not operate normally for electric appliance of which electric power consumption is 150W or less.

- Electric appliances requiring a large amount of electric power consumption at startup (e.g., CRT-based TV, power tool)
- Measuring instruments for data requiring accuracy (e.g., medical equipment, measuring instrument)
- Microprocessor-controlled appliances (e.g., microprocessor-controlled blanket)

Noise may be caused in radio or TV, depending on an electric appliance.

# REMOVAL AND INSTALLATION

## INVERTER UNIT

### Removal and Installation

INFOID:000000009878263

#### REMOVAL

1. Remove inverter unit fuse.
2. Remove rear panel. Refer to [INT-14, "Removal and Installation"](#).

**NOTE:**

The inverter unit is located behind the LH seat.

3. Remove the inverter unit bolts.
4. Disconnect the harness connector from the inverter unit.
5. Remove the inverter unit.

#### INSTALLATION

Installation is in the reverse order of removal.

A  
B  
C  
D  
E  
F  
G  
H  
I  
J  
K  
L

PWO

N  
O  
P

## AC 120V OUTLET MAIN SW

### Removal and Installation

INFOID:000000009878264

#### REMOVAL

1. Remove the inverter unit fuse.
2. Remove the cluster lid C. Refer to [IP-14, "Removal and Installation"](#).
3. Release pawls using suitable tool to remove the AC 120V outlet main switch.

#### INSTALLATION

Installation is in the reverse order of removal.

# AC 120 V OUTLET

< REMOVAL AND INSTALLATION >

[AC 120 V OUTLET]

## AC 120 V OUTLET

### Removal and Installation - Front

INFOID:000000009878265

#### AC 120V OUTLET FRONT

##### Removal

1. Remove center console rear finisher. Refer to [IP-20. "Removal and Installation"](#).
2. Release the pawl from the back of the center console rear finisher to remove the AC 120 V outlet.

##### Installation

Installation is in the reverse order of removal.

### Removal and Installation - Rear

INFOID:000000009878266

#### AC 120V OUTLET (CARGO BED)

##### Removal

1. Remove the fuse for the AC 120V outlet.
2. Remove the rivets attaching the AC 120V outlet finisher to the cargo bed.
3. Disconnect the harness connector from the AC 120V outlet to remove the AC 120V outlet.

##### Installation

Installation is in the reverse order of removal.

A  
B  
C  
D  
E  
F  
G  
H  
I  
J  
K  
L

PWO

N  
O  
P

# SERVICE DATA AND SPECIFICATIONS (SDS)

< SERVICE DATA AND SPECIFICATIONS (SDS)

[AC 120 V OUTLET]

## SERVICE DATA AND SPECIFICATIONS (SDS)

### SERVICE DATA AND SPECIFICATIONS (SDS)

#### AC 120V Power Outlet

INFOID:000000009878267

Rated voltage output		AC 120V (+/- 10%)
Operating voltage range		DC 11.5V to 15V (Inverter terminal)
Rated power output	Low power mode	150W
	High power mode	400W
Output over current protection	High power mode	3.7A or more
Input over current protection	Low power mode	13.3A or more
Output frequency		60Hz (+/- 10%)
Parasitic current		< 1mA
Max. input current		45A (during continuous power)
Rated continuous power		400W @ 40°C (104°F) Maximum
Overheat protection (Thermistor)		100°C (212°F)