

A
CO
C
D
E
F
G
H
I
J
K
L
M
N
O
P

SECTION **CO**

ENGINE COOLING SYSTEM

CONTENTS

PRECAUTION	RADIATOR
2	14
PRECAUTIONS	Checking Radiator
2	14
Precaution for Supplemental Restraint System (SRS) "AIR BAG" and "SEAT BELT PRE-TEN- SIONER"	REMOVAL AND INSTALLATION
2	15
Precaution for Liquid Gasket	RADIATOR
2	15
PREPARATION	Exploded View
4	15
PREPARATION	Removal and Installation
4	15
Special Service Tool	ENGINE COOLING FAN
4	18
Commercial Service Tool	Exploded View
4	18
SYSTEM DESCRIPTION	Removal and Installation (Crankshaft Driven Type)
6	18
COOLING SYSTEM	WATER PUMP
6	20
Cooling Circuit	Exploded View
6	20
Schematic	Removal and Installation
7	20
OVERHEATING CAUSE ANALYSIS	THERMOSTAT AND WATER PIPING
8	22
Troubleshooting Chart	Exploded View
8	22
PERIODIC MAINTENANCE	Removal and Installation
10	22
ENGINE COOLANT	SERVICE DATA AND SPECIFICATIONS
10	(SDS)
Inspection	25
10	SERVICE DATA AND SPECIFICATIONS
Changing Engine Coolant	(SDS)
11	25
	Standard and Limit
	25

PRECAUTIONS

< PRECAUTION >

PRECAUTION

PRECAUTIONS

Precaution for Supplemental Restraint System (SRS) "AIR BAG" and "SEAT BELT PRE-TENSIONER"

INFOID:000000011563405

The Supplemental Restraint System such as "AIR BAG" and "SEAT BELT PRE-TENSIONER", used along with a front seat belt, helps to reduce the risk or severity of injury to the driver and front passenger for certain types of collision. This system includes seat belt switch inputs and dual stage front air bag modules. The SRS system uses the seat belt switches to determine the front air bag deployment, and may only deploy one front air bag, depending on the severity of a collision and whether the front occupants are belted or unbelted. Information necessary to service the system safely is included in the SR and SB section of this Service Manual.

WARNING:

- To avoid rendering the SRS inoperative, which could increase the risk of personal injury or death in the event of a collision which would result in air bag inflation, all maintenance must be performed by an authorized NISSAN/INFINITI dealer.
- Improper maintenance, including incorrect removal and installation of the SRS, can lead to personal injury caused by unintentional activation of the system. For removal of Spiral Cable and Air Bag Module, see the SR section.
- Do not use electrical test equipment on any circuit related to the SRS unless instructed to in this Service Manual. SRS wiring harnesses can be identified by yellow and/or orange harnesses or harness connectors.

PRECAUTIONS WHEN USING POWER TOOLS (AIR OR ELECTRIC) AND HAMMERS

WARNING:

- When working near the Airbag Diagnosis Sensor Unit or other Airbag System sensors with the Ignition ON or engine running, DO NOT use air or electric power tools or strike near the sensor(s) with a hammer. Heavy vibration could activate the sensor(s) and deploy the air bag(s), possibly causing serious injury.
- When using air or electric power tools or hammers, always switch the Ignition OFF, disconnect the battery and wait at least three minutes before performing any service.

Precaution for Liquid Gasket

INFOID:000000011563406

REMOVAL OF LIQUID GASKET

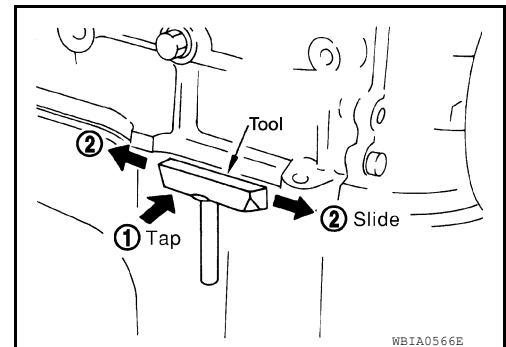
- After removing the bolts and nuts, separate the mating surface and remove the old liquid gasket using Tool.

Tool number : KV10111100 (J-37228)

CAUTION:

Do not damage the mating surfaces.

- Tap the seal cutter to insert it (1).
- In areas where the Tool is difficult to use, lightly tap to slide it (2).

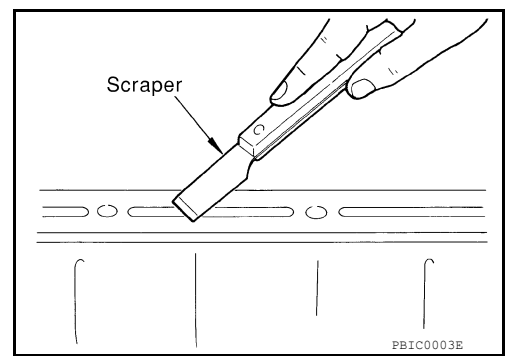


LIQUID GASKET APPLICATION PROCEDURE

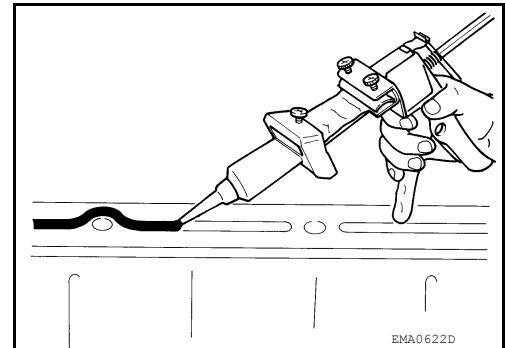
PRECAUTIONS

< PRECAUTION >

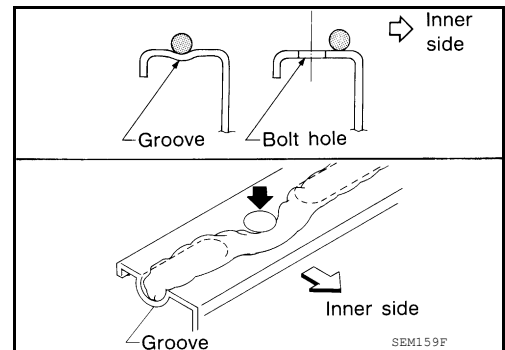
1. Remove the old liquid gasket adhering to the gasket application surface and the mating surface using suitable tool.
 - Remove the liquid gasket completely from the groove of the liquid gasket application surface, bolts, and bolt holes.
2. Thoroughly clean the mating surfaces and remove adhering moisture, grease and foreign material.



3. Attach the liquid gasket tube to the suitable tool.
Use Genuine RTV Silicone Sealant or equivalent. Refer to GI-21. "Recommended Chemical Products and Sealants".
4. Apply the liquid gasket without breaks to the specified location with the specified dimensions.



- If there is a groove for the liquid gasket application, apply the liquid gasket to the groove.
- Normally apply the liquid gasket on the inside edge of the bolt holes. Also apply to the outside edge of the bolt holes when specified in the procedure.
- Within five minutes of liquid gasket application, install the mating component.
- If the liquid gasket protrudes, wipe it off immediately.
- Do not retighten after the installation.
- Wait 30 minutes or more after installation before refilling the engine with oil or coolant.



CAUTION:

If there are more specific instructions in the procedures contained in this manual concerning liquid gasket application, observe them.

PREPARATION

< PREPARATION >

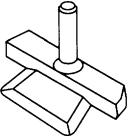
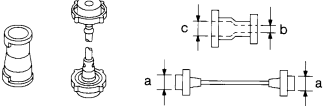
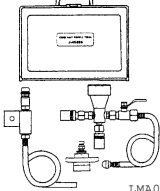
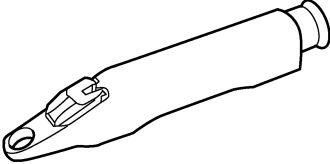
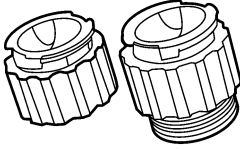
PREPARATION

PREPARATION

Special Service Tool

INFOID:000000011563407

The actual shape of the tools may differ from those illustrated here.


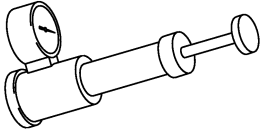
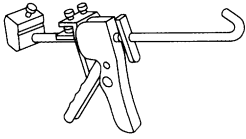
Tool number (TechMate No.) Tool name	Description
KV10111100 (J-37228) Seal cutter  NT046	Removing steel oil pan and rear timing chain case
EG17650301 (J-33984-A) Radiator cap tester adapter  S-NT564	Adapting radiator cap tester to radiator cap and radiator filler neck a: 28 (1.10) dia. b: 31.4 (1.236) dia. c: 41.3 (1.626) dia. Unit: mm (in)
KV991J0070 (J-45695) Coolant refill tool  LMA053	For refilling engine cooling system
KV991J0010 (J-23688) Engine coolant refractometer  WBIA0539E	Checking concentration of ethylene glycol in engine coolant
— (J-24460-92) Radiator Pressure Test Adapter  AWBIA0891ZZ	Pressure testing of the pressurized cooling system overflow tank

Commercial Service Tool

INFOID:000000011563408

PREPARATION

< PREPARATION >

Tool name	Description
<p>Power tool</p>  <p style="text-align: center;">PIIB1407E</p>	<p>Loosening nuts, screws and bolts</p>
<p>Radiator cap tester</p>  <p style="text-align: center;">PBIC1982E</p>	<p>Checking radiator and radiator cap</p>
<p>Tube presser</p>  <p style="text-align: center;">S-NT052</p>	<p>Pressing the tube of liquid gasket</p>

A

CO

C

D

E

F

G

H

I

J

K

L

M

N

O

P

COOLING SYSTEM

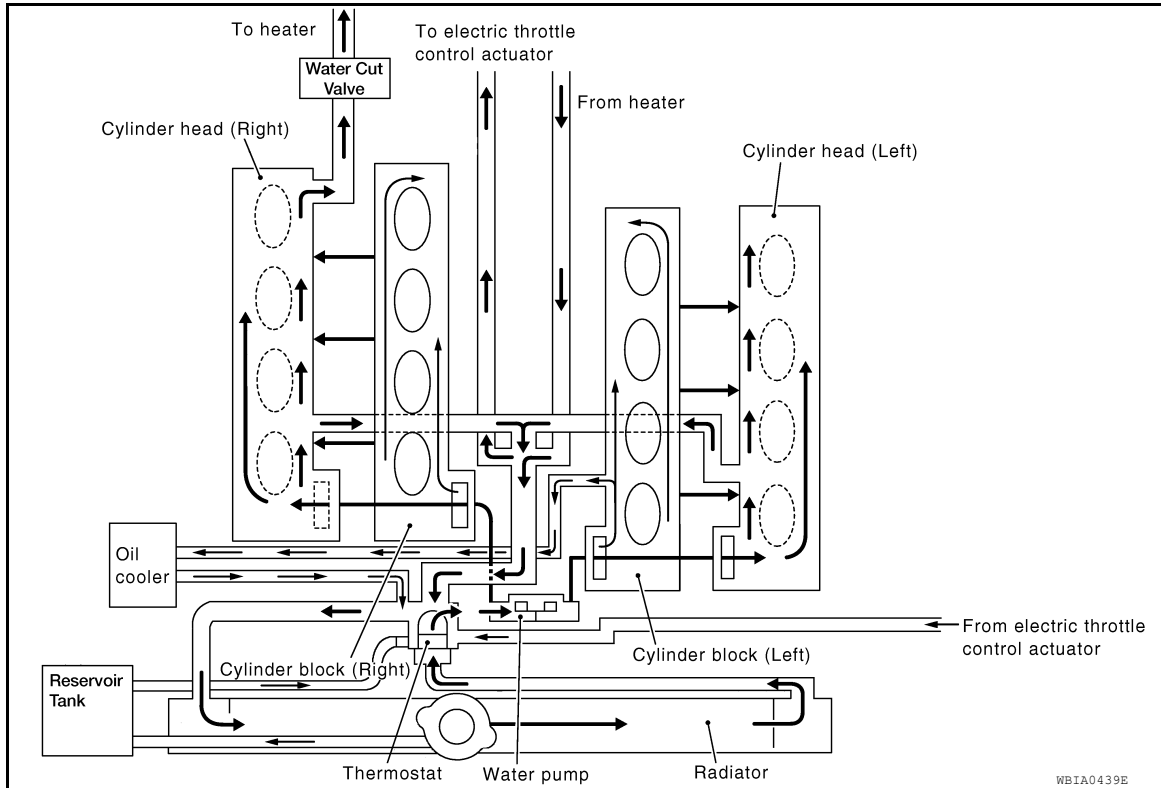
< SYSTEM DESCRIPTION >

SYSTEM DESCRIPTION

COOLING SYSTEM

Cooling Circuit

INFOID:000000011563409

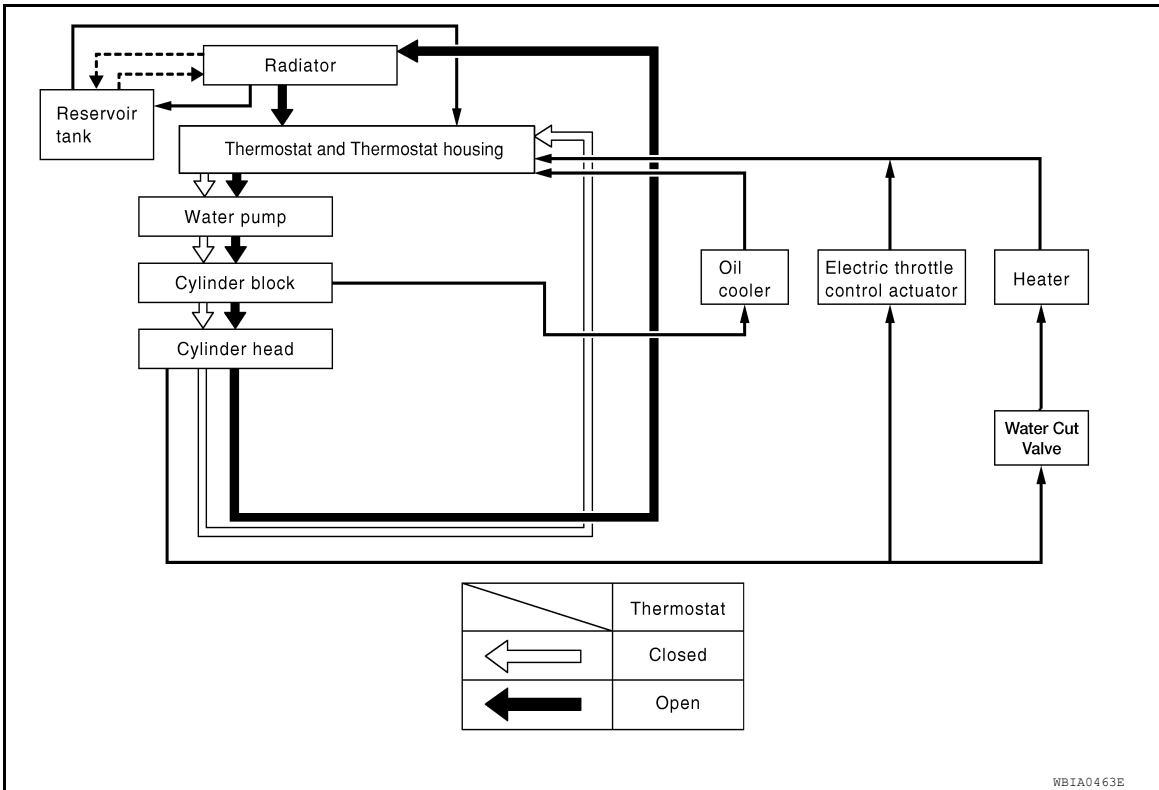


COOLING SYSTEM

< SYSTEM DESCRIPTION >

Schematic

INFOID:000000011563410



A

CO

C

D

E

F

G

H

I

J

K

L

M

N

O

P

OVERHEATING CAUSE ANALYSIS

< SYSTEM DESCRIPTION >

OVERHEATING CAUSE ANALYSIS

Troubleshooting Chart

INFOID:000000011563411

	Symptom		Check items	
Cooling system parts malfunction	Poor heat transfer	Water pump malfunction	Worn or loose drive belt	—
		Thermostat stuck closed	Coolant circulation	
		Damaged fins	Dust contamination or paper clogging	
			Physical damage	
		Clogged radiator cooling tube	Excess foreign material (rust, dirt, sand, etc.)	
	Water cut valve malfunction	Excess foreign material (rust, dirt, sand, etc.), physical damage		
	Reduced air flow	Cooling fan does not operate	Fan assembly	—
		High resistance to fan rotation		
		Damaged fan blades		
	Damaged radiator shroud	—	Radiator shroud	—
	Improper engine coolant mixture ratio	—	Coolant viscosity	—
	Poor engine coolant quality	—	Engine coolant density	—
	Insufficient engine coolant	Engine coolant leaks	Cooling hose	Loose clamp
				Cracked hose
			Water pump	Poor sealing
Radiator cap			Loose	
			Poor sealing	
Radiator			O-ring for damage, deterioration or improper fitting	
		Cracked radiator tank		
Reservoir tank		Cracked radiator core		
Overflowing reservoir tank	Exhaust gas leaks into cooling system	Cracked reservoir tank		
		Cylinder head deterioration		
			Cylinder head gasket deterioration	

OVERHEATING CAUSE ANALYSIS

< SYSTEM DESCRIPTION >

	Symptom		Check items		
Except cooling system parts malfunction	—	Overload on engine	Abusive driving	High engine rpm under no load	A
				Driving in low gear for extended time	CO
				Driving at extremely high speed	
				Powertrain system malfunction	C
			—	Installed improper size wheels and tires	D
				Dragging brakes	
			Improper ignition timing	E	
	Blocked or restricted air flow	Blocked radiator grille	Installed car brassiere		F
		Blocked bumper	Mud contamination or paper clogging	—	
		Blocked radiator			
Blocked condenser		Blocked air flow		G	
	Installed large fog lamp				

A
CO
C
D
E
F
G
H
I
J
K
L
M
N
O
P

ENGINE COOLANT

< PERIODIC MAINTENANCE >

PERIODIC MAINTENANCE

ENGINE COOLANT

Inspection

INFOID:000000011563412

WARNING:

Do not remove the radiator cap when the engine is hot. Serious burns could occur from high-pressure engine coolant escaping from the radiator. Wrap a thick cloth around the radiator cap. Slowly turn it a quarter of a turn to release built-up pressure. Carefully remove radiator cap by turning it all the way.

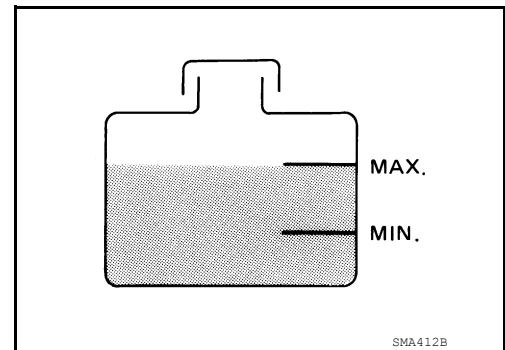
CHECKING COOLING SYSTEM HOSES

Check hoses for the following:

- Improper attachment
- Leaks
- Cracks
- Damage
- Loose connections
- Chafing
- Deterioration

LEVEL CHECK

- Check if the engine coolant reservoir tank level is within MIN to MAX level when engine is cool.
- Adjust engine coolant level as necessary.



CHECKING COOLING SYSTEM FOR LEAKS

WARNING:

Do not remove the radiator cap when the engine is hot. Serious burns could occur from high-pressure engine coolant escaping from the radiator. Wrap a thick cloth around the radiator cap. Slowly turn it a quarter of a turn to release built-up pressure. Carefully remove radiator cap by turning it all the way.

- To check for leakage, apply pressure to the cooling system at the reservoir filler neck using suitable tool (A) and Tool (B).

Tool number (B) : — (J-24460-92)

Test pressure : Refer to [LU-18, "Standard and Limit"](#).

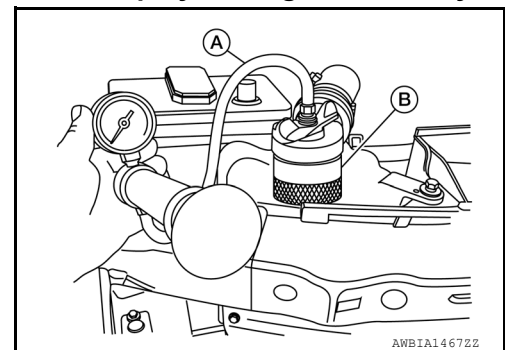
CAUTION:

Higher pressure than specified may cause radiator damage.

NOTE:

In case that engine coolant decreases, replenish cooling system with engine coolant.

- If any concerns are found, repair or replace damaged parts.



CHECKING RESERVOIR CAP

ENGINE COOLANT

< PERIODIC MAINTENANCE >

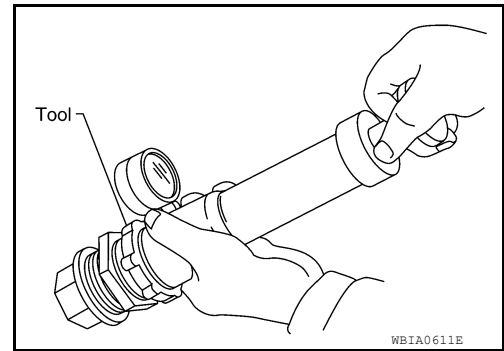
- Check reservoir cap relief pressure using suitable tool and Tool.

Tool number : — (J-24460-92)

Standard : Refer to [LU-18, "Standard and Limit"](#).

NOTE:

- Apply engine coolant to the cap seal.
- Replace the reservoir cap if there is any damage in the negative-pressure valve, or if the open-valve pressure is outside of the limit.



CHECKING RADIATOR CAP

Inspect the radiator cap.

NOTE:

Thoroughly wipe out the radiator filler neck to remove any waxy residue or foreign material.

- Replace the cap if deposits of waxy residue or other foreign material are on the black rubber gasket or the metal retainer.

Changing Engine Coolant

INFOID:0000000011563413

WARNING:

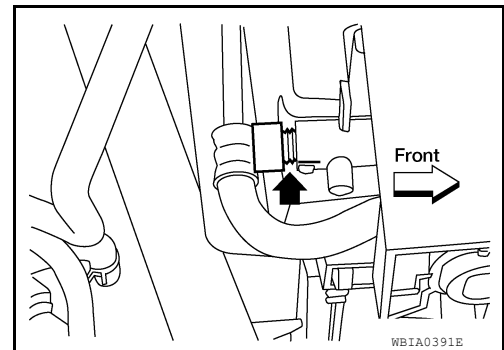
Do not remove the radiator cap when the engine is hot. Serious burns could occur from high-pressure engine coolant escaping from the radiator. Wrap a thick cloth around the radiator cap. Slowly turn it a quarter of a turn to release built-up pressure. Carefully remove radiator cap by turning it all the way.

DRAINING ENGINE COOLANT

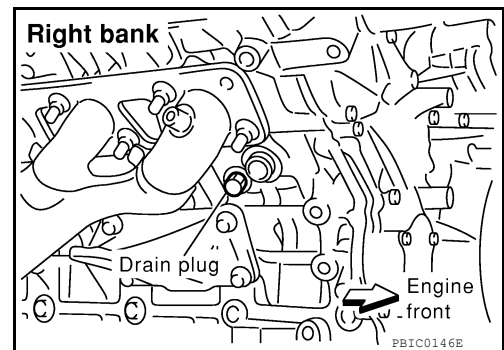
1. Turn ignition switch ON and set temperature control lever all the way to HOT position or the highest temperature position. Wait 10 seconds and turn ignition switch OFF.
2. Remove the engine under cover (without off-road package) or skid plate (with off-road package) (if equipped). Refer to [EXT-15, "Removal and Installation"](#).
3. Open the radiator drain plug at the bottom of the radiator, and remove the radiator filler cap. This is the only step required when partially draining the cooling system (radiator only).

CAUTION:

- Perform this step when the engine is cold.
- Do not to allow the coolant to contact the drive belts.

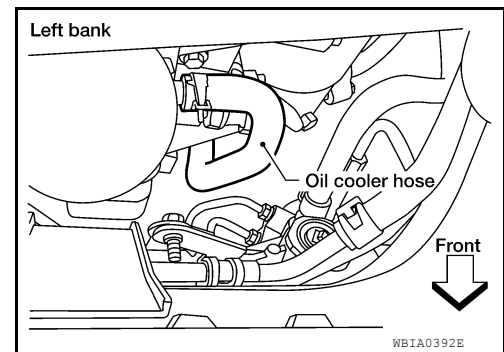


4. When draining all of the coolant in the system, it is necessary to drain the cylinder block. Remove the RH cylinder block drain plug to drain the right bank and the oil cooler hose to drain the left bank as shown.



ENGINE COOLANT

< PERIODIC MAINTENANCE >



5. Remove the reservoir tank to drain the engine coolant, then clean the reservoir tank before installing it.
6. Check the drained coolant for contaminants such as rust, corrosion or discoloration. If the coolant is contaminated, flush the engine cooling system. Refer to [CO-11. "Changing Engine Coolant"](#).

REFILLING ENGINE COOLANT

1. Close the radiator drain plug. Install the reservoir tank, cylinder block drain plug and the oil cooler hose (if removed).
 - The radiator must be completely empty of coolant and water.
 - Apply sealant to the threads of the cylinder block drain plug. Use Genuine High Performance Thread Sealant or equivalent. Refer to [GI-21. "Recommended Chemical Products and Sealants"](#).

Radiator drain plug : Refer to [CO-15. "Removal and Installation"](#).

RH cylinder block drain plug : Refer to [EM-90. "Exploded View"](#).

2. Set the vehicle heater controls to the full HOT and heater ON position. Turn the vehicle ignition ON with the engine OFF as necessary to activate the heater mode.
3. Remove the vented reservoir cap and replace it with a non-vented reservoir cap before filling the cooling system.
4. Install the Tool by installing the radiator cap adapter onto the radiator neck opening. Then attach the gauge body assembly with the refill tube and the venturi assembly to the radiator cap adapter.

Tool number : KV991J0070 (J-45695)

5. Insert the refill hose into the coolant mixture container that is placed at floor level. Make sure the ball valve is in the closed position.
 - Use recommended coolant or equivalent. Refer to [MA-15. "FOR NORTH AMERICA : Fluids and Lubricants"](#) (United States and Canada) or [MA-17. "FOR MEXICO : Fluids and Lubricants"](#) (Mexico).

Cooling system capacity (with reservoir) : Refer to [CO-25. "Standard and Limit"](#).

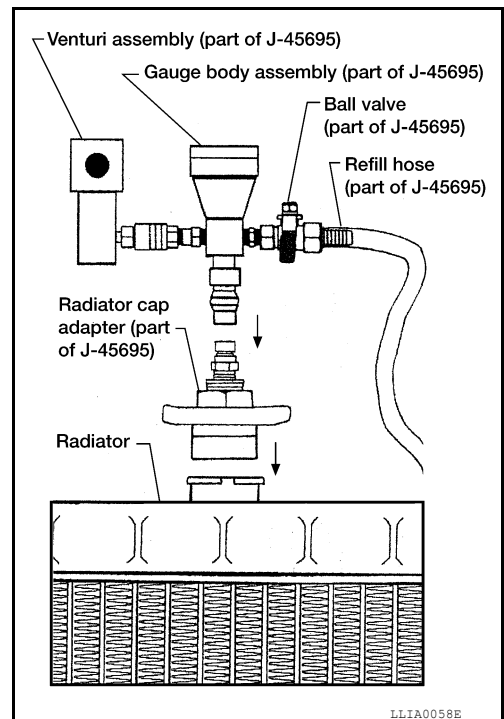
CAUTION:

Do not use any cooling additives such as radiator sealer. Additives may clog the cooling system and cause damage to the engine, transmission and/or cooling system.

6. Install an air hose to the venturi assembly, the air pressure must be within specification.

Compressed air supply pressure : 549 - 824 kPa (5.6 - 8.4 kg/cm², 80 - 119 psi)

CAUTION:



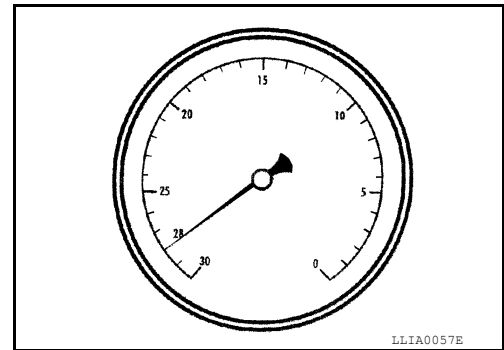
ENGINE COOLANT

< PERIODIC MAINTENANCE >

The compressed air supply must be equipped with an air dryer.

- The vacuum gauge will begin to rise and there will be an audible hissing noise. During this process open the ball valve on the refill hose slightly. Coolant will be visible rising in the refill hose. Once the refill hose is full of coolant, close the ball valve. This will purge any air trapped in the refill hose.
- Continue to draw the vacuum until the gauge reaches 28 inches of vacuum. The gauge may not reach 28 inches in high altitude locations. Refer to the following table for expected vacuum readings.

Altitude above sea level	Vacuum gauge reading
0 - 100 m (328 ft)	: 28 inches of vacuum
300 m (984 ft)	: 27 inches of vacuum
500 m (1,641 ft)	: 26 inches of vacuum
1,000 m (3,281 ft)	: 24 - 25 inches of vacuum



- When the vacuum gauge has reached the specified amount, disconnect the air hose and wait 20 seconds to see if the system loses any vacuum. If the vacuum level drops, perform any necessary repairs to the system and repeat steps 6 - 8 to bring the vacuum to the specified amount. Recheck for any leaks.
- Place the coolant container (with the refill hose inserted) at the same level as the top of the radiator. Then open the ball valve on the refill hose so the coolant will be drawn up to fill the cooling system. The cooling system is full when the vacuum gauge reads zero.

CAUTION:

Do not allow the coolant container to get too low when filling, to avoid air from being drawn into the cooling system.

- Remove the Tool from the radiator neck opening and install the radiator cap.
- Remove the non-vented reservoir cap.
- Fill the cooling system reservoir tank to the specified level. Run the engine to warm up the cooling system and top up the system as necessary before installing the vented reservoir cap.
- Install the engine under cover (without off-road package) or skid plate (with off-road package) (if equipped). Refer to [EXT-15, "Removal and Installation"](#).

FLUSHING COOLING SYSTEM

- Drain the water from the engine cooling system. Refer to [CO-11, "Changing Engine Coolant"](#).
- Fill the radiator and the reservoir tank (to the "MAX" line), with water. Reinstall the radiator cap and leave the vented reservoir cap off.
- Run the engine until it reaches normal operating temperature.
- Press the engine accelerator two or three times under no-load.
- Stop the engine and wait until it cools down.
- Drain the water from the engine cooling system. Refer to [CO-11, "Changing Engine Coolant"](#).
- Repeat steps 2 through 6 until clear water begins to drain from the radiator.

RADIATOR

< PERIODIC MAINTENANCE >

RADIATOR

Checking Radiator

INFOID:000000011563414

Check radiator for mud or clogging. If necessary, clean radiator as follows.

CAUTION:

- **Be careful not to bend or damage the radiator fins.**
 - **When radiator is cleaned without removal, remove all surrounding parts such as cooling fan, radiator shroud and horns. Then tape the harness and electrical connectors to prevent water from entering.**
1. Spray water to the back side of the radiator core starting at the top and working down using a side to side motion.
 2. Stop washing when dirt and debris no longer flow out from the radiator.
 3. Blow air into the back side of radiator core starting at the top and working down using a side to side motion until no water sprays out.
 - Use compressed air lower than 490 kPa (5 kg/cm², 71 psi) and keep distance more than 30 cm (11.8 in).
 4. Check for leaks and repair if necessary.

RADIATOR

< REMOVAL AND INSTALLATION >

REMOVAL AND INSTALLATION

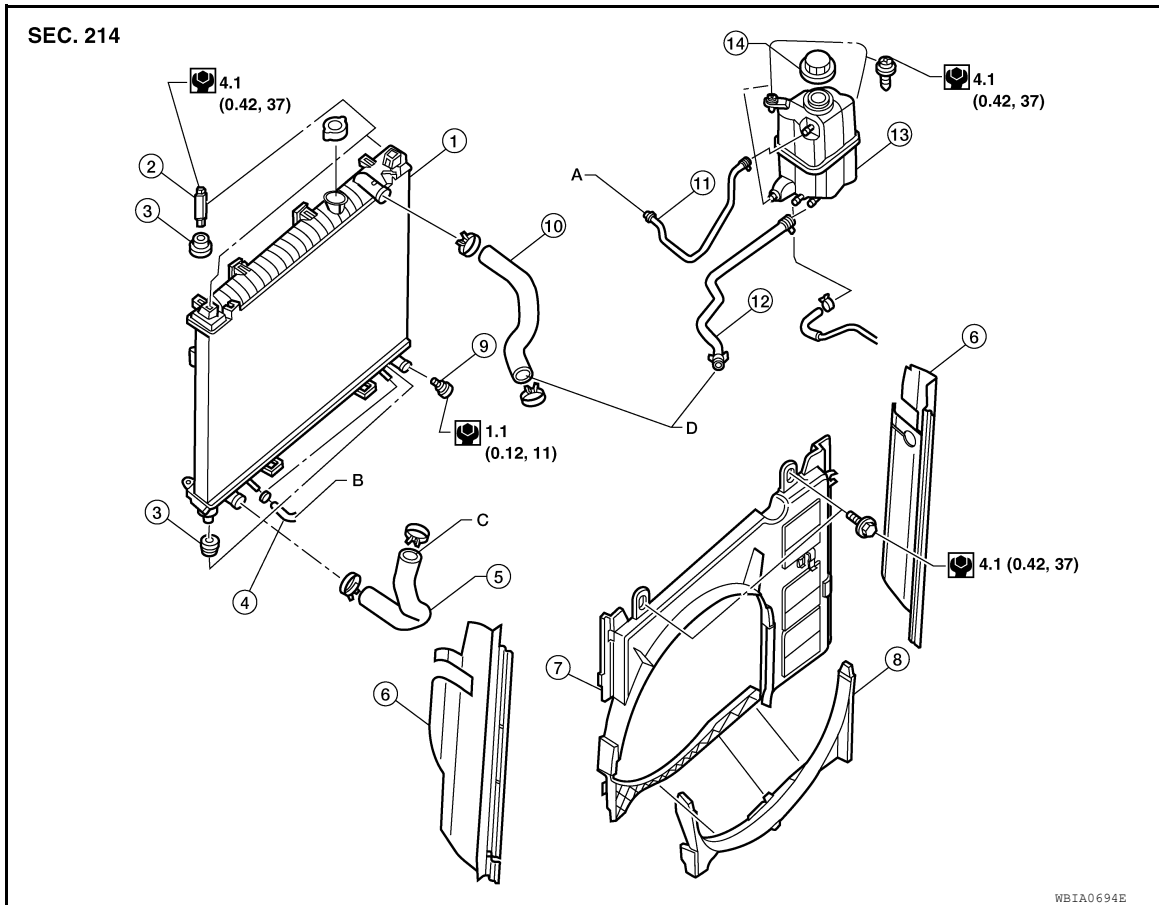
RADIATOR

Exploded View

INFOID:000000011563415

A

CO



C

D

E

F

G

H

I

J

K

- | | | |
|----------------------------|----------------------------|--------------------------|
| 1. Radiator | 2. Bolt | 3. Mounting rubber |
| 4. A/T fluid cooler hose | 5. Radiator hose (lower) | 6. Flaps |
| 7. Radiator shroud (upper) | 8. Radiator shroud (lower) | 9. Drain plug |
| 10. Radiator hose (upper) | 11. Reservoir tank hose | 12. By-pass hose |
| 13. Reservoir tank | 14. Reservoir tank cap | A. To radiator fill neck |
| B. To A/T cooler tube | C. To water suction pipe | D. To thermostat housing |

L

M

Removal and Installation

INFOID:000000011563416

N

WARNING:

Do not remove the radiator cap when the engine is hot. Serious burns could occur from high-pressure engine coolant escaping from the radiator. Wrap a thick cloth around the radiator cap. Slowly turn it a quarter of a turn to release built-up pressure. Carefully remove radiator cap by turning it all the way.

CAUTION:

Perform when the engine is cold.

NOTE:

When removing components such as hoses, tubes/lines, etc., cap or plug openings to prevent fluid from spilling.

O

P

REMOVAL

1. Drain engine coolant from the radiator. Refer to [CO-11, "Changing Engine Coolant"](#).
2. Remove engine room cover (if equipped). Refer to [EM-24, "Removal and Installation"](#).

RADIATOR

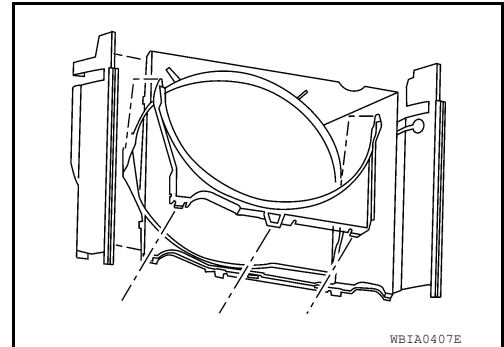
< REMOVAL AND INSTALLATION >

3. Remove air duct and resonator assembly. Refer to [EM-25, "Removal and Installation"](#).
4. Disconnect A/T fluid cooler hoses.
5. Disconnect radiator lower hose from the radiator.

CAUTION:

Do not allow coolant to contact drive belt.

6. Remove the lower radiator shroud.
 - Release the tabs, pull lower radiator shroud rearward and down to remove.

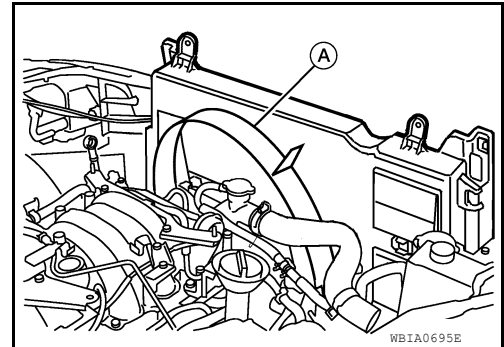


7. Disconnect the radiator upper hose and the coolant reservoir hose from the radiator.

CAUTION:

Do not allow coolant to contact drive belt.

8. Remove the radiator shroud upper bolts and remove the radiator shroud upper (A).



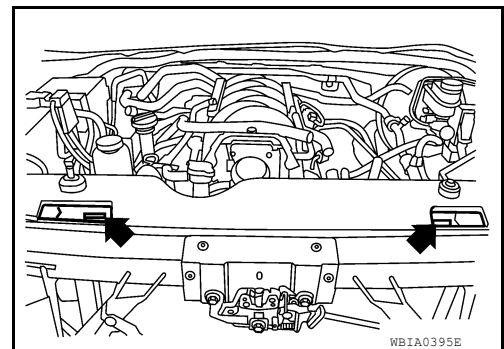
9. Remove the fan coupling nuts, and then remove the fan coupling and cooling fan as an assembly. Refer to [CO-18, "Exploded View"](#).

10. Remove the upper radiator bolts and rubbers.

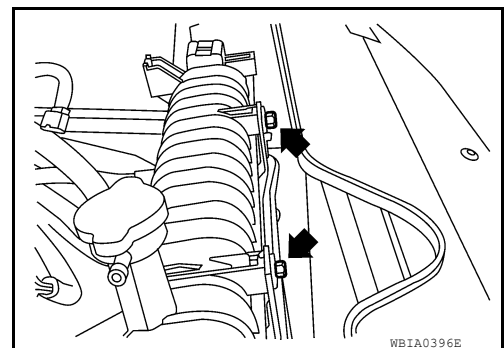
11. Remove the A/C condenser bolts and brackets.

NOTE:

Lift A/C condenser up and forward to remove from radiator.



12. Remove A/T oil cooler bolts and oil cooler from radiator and position aside.



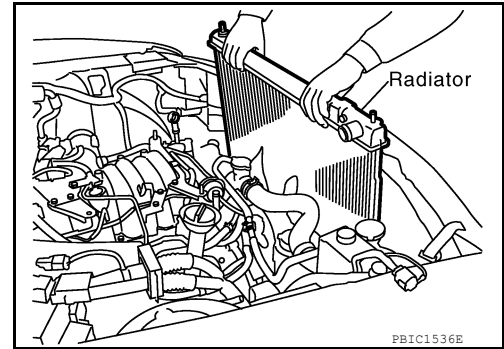
RADIATOR

< REMOVAL AND INSTALLATION >

13. Tilt radiator toward the engine and lift to remove.

CAUTION:

Do not damage or scratch air conditioner condenser, A/T oil cooler or radiator core when removing.



INSTALLATION

Installation is in the reverse order of removal.

- Refill A/T fluid. Refer to [TM-174, "Changing the A/T Fluid \(ATF\)"](#).
- Refill engine coolant. Refer to [CO-11, "Changing Engine Coolant"](#).

INSPECTION AFTER INSTALLATION

- Before starting engine, check oil/fluid levels including engine coolant and engine oil. If less than required quantity, fill to the specified level. Refer to [MA-15, "FOR NORTH AMERICA : Fluids and Lubricants"](#) (United States and Canada) or [MA-17, "FOR MEXICO : Fluids and Lubricants"](#) (Mexico).
- Use procedure below to check for fuel leakage.
- Turn ignition switch ON (with engine stopped). With fuel pressure applied to fuel piping, check for fuel leakage at connection points.
- Start engine. With engine speed increased, check again for fuel leakage at connection points.
- Run engine to check for unusual noise and vibration.

NOTE:

If hydraulic pressure inside timing chain tensioner drops after removal and installation, slack in the guide may generate a pounding noise during and just after engine start. However, this is normal. Noise will stop after hydraulic pressure rises.

- Warm up engine thoroughly to make sure there is no leakage of fuel, exhaust gas, or any oils/fluids including engine oil and engine coolant.
- Bleed air from passages in lines and hoses, such as in cooling system.
- After cooling down engine, again check oil/fluid levels including engine oil and engine coolant. Refill to specified level, if necessary.
- Summary of the inspection items:

Item		Before starting engine	Engine running	After engine stopped
Engine coolant		Level	Leakage	Level
Engine oil		Level	Leakage	Level
Transmission/ transaxle fluid	A/T and CVT Models	Leakage	Level/Leakage	Leakage
	M/T Models	Level/Leakage	Leakage	Level/Leakage
Other oils and fluids*		Level	Leakage	Level
Fuel		Leakage	Leakage	Leakage
Exhaust gas		—	Leakage	—

*Power steering fluid, brake fluid, etc.

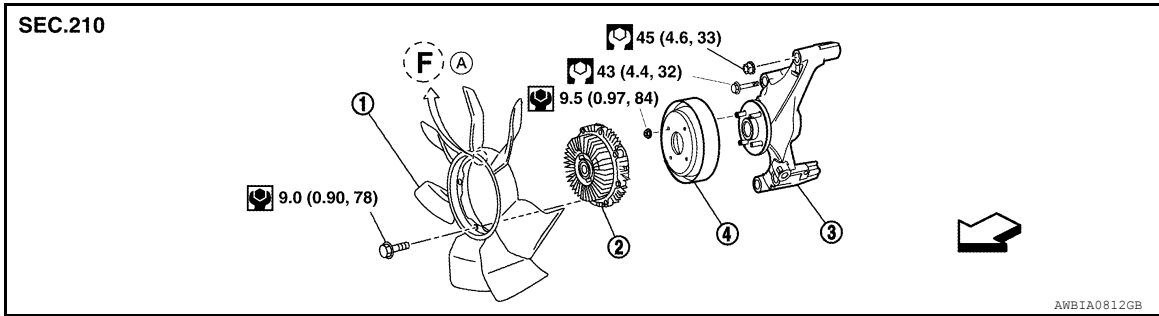
ENGINE COOLING FAN

< REMOVAL AND INSTALLATION >

ENGINE COOLING FAN

Exploded View

INFOID:000000011563417



- | | | |
|-----------------------|-----------------|----------------|
| 1. Cooling fan | 2. Fan coupling | 3. Fan bracket |
| 4. Cooling fan pulley | A. Front mark | ⇨ Engine front |

Removal and Installation (Crankshaft Driven Type)

INFOID:000000011563418

WARNING:

Do not remove the radiator cap when the engine is hot. Serious burns could occur from high-pressure engine coolant escaping from the radiator. Wrap a thick cloth around the radiator cap. Slowly turn it a quarter of a turn to release built-up pressure. Carefully remove radiator cap by turning it all the way.

NOTE:

When removing components such as hoses, tubes/lines, etc., cap or plug openings to prevent fluid from spilling.

REMOVAL

1. Partially drain engine coolant from the radiator. Refer to [CO-11, "Changing Engine Coolant"](#).

CAUTION:

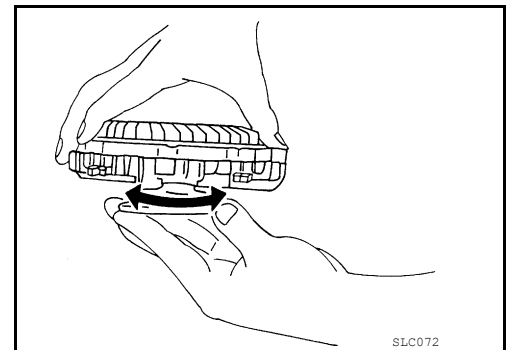
- Perform this step when engine is cold
- Do not spill engine coolant on drive belt

2. Remove the lower and upper radiator shrouds. Refer to [CO-15, "Removal and Installation"](#).
3. Remove the drive belt. Refer to [EM-13, "Removal and Installation"](#).
4. Remove the cooling fan.
5. Remove the fan bracket if necessary.

INSPECTION AFTER REMOVAL

Fan Coupling

- Inspect fan coupling for oil leakage and bimetal conditions.
- If there are any unusual concerns, replace the fan coupling.

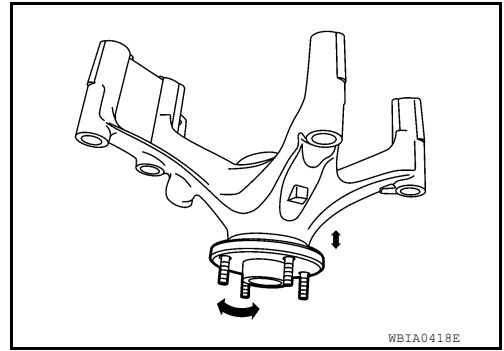


Fan Bracket

ENGINE COOLING FAN

< REMOVAL AND INSTALLATION >

- Check that the fan bracket shaft turns smoothly by hand and is not excessively loose.
- Replace the fan bracket assembly if necessary.



Cooling Fan Pulley

- Inspect cooling fan pulley.
- If there are any concerns, replace the cooling fan pulley.

INSTALLATION

Installation is in the reverse order of removal.

- Install cooling fan with its front mark "F" facing front of engine.

INSPECTION AFTER INSTALLATION

- Check for engine coolant leaks. Refer to [CO-10. "Inspection"](#).
- Start and warm up the engine. Visually make sure that there are no engine coolant leaks.

A

CO

C

D

E

F

G

H

I

J

K

L

M

N

O

P

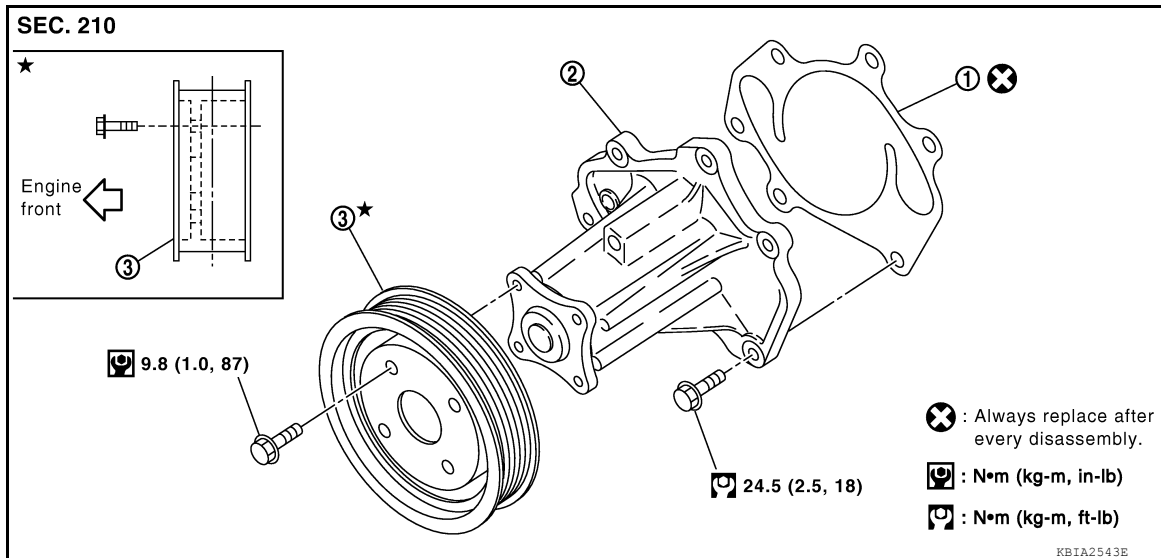
WATER PUMP

< REMOVAL AND INSTALLATION >

WATER PUMP

Exploded View

INFOID:000000011563419



1. Gasket

2. Water pump

3. Water pump pulley

Removal and Installation

INFOID:000000011563420

WARNING:

Do not remove the radiator cap when the engine is hot. Serious burns could occur from high-pressure engine coolant escaping from the radiator. Wrap a thick cloth around the radiator cap. Slowly turn it a quarter of a turn to release built-up pressure. Carefully remove radiator cap by turning it all the way.

CAUTION:

- When removing water pump, be careful not to get engine coolant on drive belt.
- Water pump cannot be disassembled and should be replaced as a unit.
- After installing water pump, connect hoses and clamps securely, then check for leaks.

NOTE:

When removing components such as hoses, tubes/lines, etc., cap or plug openings to prevent fluid from spilling.

REMOVAL

1. Drain engine coolant from the radiator. Refer to [CO-11, "Changing Engine Coolant"](#).

CAUTION:

Perform when the engine is cold.

2. Remove the engine cooling fan. Refer to [CO-18, "Removal and Installation \(Crankshaft Driven Type\)"](#).
3. Remove the water pump pulley.
4. Remove the water pump.
 - Engine coolant will leak from the cylinder block, so have a receptacle ready below.

CAUTION:

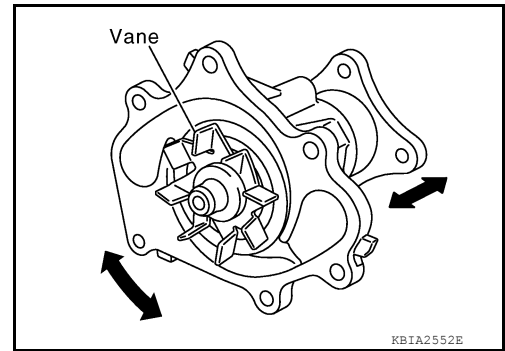
Handle water pump vane so that it does not contact any other parts.

INSPECTION AFTER REMOVAL

WATER PUMP

< REMOVAL AND INSTALLATION >

- Visually check for significant dirt or rust on the water pump body and vane.
- Check that the vane shaft turns smoothly by hand and is not excessively loose.
- Replace the water pump assembly if the water pump does not perform properly.



INSTALLATION

Installation is in the reverse order of removal.

CAUTION:

Do not reuse gasket.

- After installation bleed the air from the cooling system. Refer to [CO-11, "Changing Engine Coolant"](#).

INSPECTION AFTER INSTALLATION

- Before starting engine, check oil/fluid levels including engine coolant and engine oil. If less than required quantity, fill to the specified level. Refer to [MA-15, "FOR NORTH AMERICA : Fluids and Lubricants"](#) (United States and Canada) or [MA-17, "FOR MEXICO : Fluids and Lubricants"](#) (Mexico).
- Use procedure below to check for fuel leakage.
- Turn ignition switch ON (with engine stopped). With fuel pressure applied to fuel piping, check for fuel leakage at connection points.
- Start engine. With engine speed increased, check again for fuel leakage at connection points.
- Run engine to check for unusual noise and vibration.

NOTE:

If hydraulic pressure inside timing chain tensioner drops after removal and installation, slack in the guide may generate a pounding noise during and just after engine start. However, this is normal. Noise will stop after hydraulic pressure rises.

- Warm up engine thoroughly to make sure there is no leakage of fuel, exhaust gas, or any oils/fluids including engine oil and engine coolant.
- Bleed air from passages in lines and hoses, such as in cooling system.
- After cooling down engine, again check oil/fluid levels including engine oil and engine coolant. Refill to specified level, if necessary.
- Summary of the inspection items:

Item		Before starting engine	Engine running	After engine stopped
Engine coolant		Level	Leakage	Level
Engine oil		Level	Leakage	Level
Transmission/ transaxle fluid	A/T and CVT Models	Leakage	Level/Leakage	Leakage
	M/T Models	Level/Leakage	Leakage	Level/Leakage
Other oils and fluids*		Level	Leakage	Level
Fuel		Leakage	Leakage	Leakage
Exhaust gas		—	Leakage	—

*Power steering fluid, brake fluid, etc.

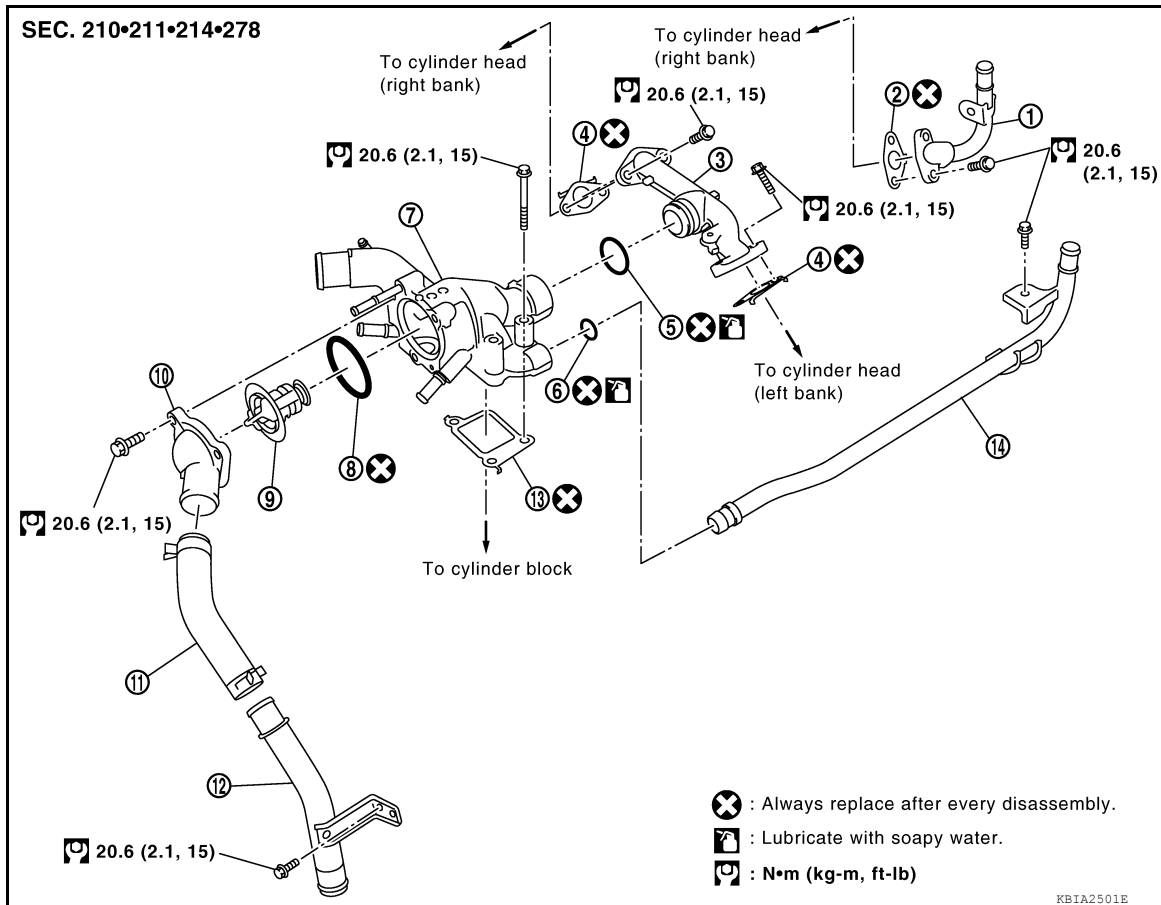
THERMOSTAT AND WATER PIPING

< REMOVAL AND INSTALLATION >

THERMOSTAT AND WATER PIPING

Exploded View

INFOID:000000011563421



- | | | |
|-----------------------|------------------------|------------------------|
| 1. Heater pipe | 2. Gasket | 3. Water outlet |
| 4. Gasket | 5. O-ring | 6. O-ring |
| 7. Thermostat housing | 8. Rubber ring | 9. Thermostat |
| 10. Water inlet | 11. Water suction hose | 12. Water suction pipe |
| 13. Gasket | 14. Heater pipe | |

Removal and Installation

INFOID:000000011563422

WARNING:

Do not remove the radiator cap when the engine is hot. Serious burns could occur from high-pressure engine coolant escaping from the radiator. Wrap a thick cloth around the radiator cap. Slowly turn it a quarter of a turn to release built-up pressure. Carefully remove radiator cap by turning it all the way.

CAUTION:

- When removing water pump, be careful not to get engine coolant on drive belt.
- Water pump cannot be disassembled and should be replaced as a unit.
- After installing water pump, connect hoses and clamps securely, then check for leaks.
- Perform when engine is cold.

NOTE:

When removing components such as hoses, tubes/lines, etc., cap or plug openings to prevent fluid from spilling.

REMOVAL

Removal of Thermostat

1. Partially drain engine coolant from the radiator. Refer to [CO-11. "Changing Engine Coolant"](#).

THERMOSTAT AND WATER PIPING

< REMOVAL AND INSTALLATION >

2. Disconnect the water suction hose from the water inlet.
3. Remove the water inlet and thermostat.

Removal of Thermostat Housing, Water Outlet and Heater Pipe

1. Remove the intake manifold. Refer to [EM-26, "Removal and Installation"](#).
2. Remove the thermostat housing, water outlet and heater pipe.

Removal of Water Cut Valve

1. Partially drain engine coolant from the radiator. Refer to [CO-11, "Changing Engine Coolant"](#).

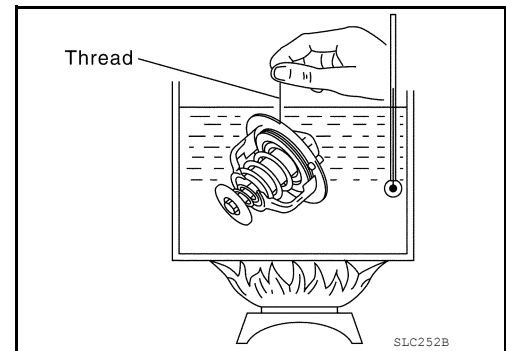
CAUTION:

Perform when the engine is cold.

2. Disconnect the water cut valve connector.
3. Disconnect the water hoses from the water cut valve.
4. Remove the water cut valve.

INSPECTION AFTER REMOVAL

- Place a thread so that it is caught in the valve of the thermostat. Immerse fully in a container filled with water. Heat while stirring.
- The valve opening temperature is the temperature at which the valve opens and falls from the thread.
- Continue heating. Check the full-open lift amount.
- After checking the full-open lift amount, lower the water temperature and check the valve closing temperature.



Thermostat	Standard values
Valve opening temperature	Refer to CO-25, "Standard and Limit" .
Full-open lift amount	Refer to CO-25, "Standard and Limit" .
Valve closing temperature	Refer to CO-25, "Standard and Limit" .

Replace the thermostat if the valve opening or closing values are out of the specification range.

INSTALLATION

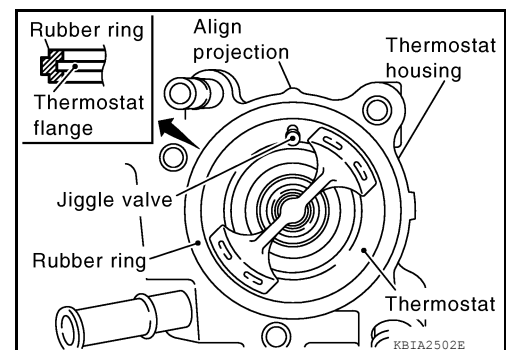
Installation of Thermostat

Installation is in the reverse order of removal.

- Install the thermostat with the flange securely inside the rubber ring as shown.
- Install the thermostat with the jiggle valve facing upwards.

CAUTION:

Do not reuse rubber ring.



Installation of Water Outlet Pipe and Heater Pipe

Installation is in the reverse order of removal.

Apply a mild detergent to the O-rings and gaskets before installing the water outlet pipe and heater pipe.

CAUTION:

- **Do not reuse O-rings.**
- **Do not reuse gaskets.**

INSPECTION AFTER INSTALLATION

THERMOSTAT AND WATER PIPING

< REMOVAL AND INSTALLATION >

- Check for engine coolant leaks. Refer to [CO-10. "Inspection"](#).
- Start and warm up the engine. Visually check for engine coolant leaks.

SERVICE DATA AND SPECIFICATIONS (SDS)

< SERVICE DATA AND SPECIFICATIONS (SDS)

SERVICE DATA AND SPECIFICATIONS (SDS)

SERVICE DATA AND SPECIFICATIONS (SDS)

Standard and Limit

INFOID:0000000011563423

A

CO

ENGINE COOLANT CAPACITY (APPROXIMATE)

Unit: ℓ (US qt, Imp qt)

Engine coolant capacity (With reservoir at "MAX" level)	12.2 (12-7/8, 10-3/4)
---	-----------------------

C

THERMOSTAT

D

Valve opening temperature	80° - 84°C (176° - 183°F)
Full-open lift amount	More than 10 mm / 95°C (0.39 in / 203°F)
Valve closing temperature	77°C (171°F) or higher

E

RADIATOR

Unit: kPa (kg/cm², psi)

Reservoir cap relief pressure	Standard	110 (1.12, 16)
Test pressure		137 (1.4, 20)

F

G

H

I

J

K

L

M

N

O

P