

A
B
C
D
E
F
G
H
I
J
K
L
M
N
O
P

DLK

SECTION DOOR & LOCK

CONTENTS

<p>BASIC INSPECTION 4</p> <p>DIAGNOSIS AND REPAIR WORKFLOW 4</p> <p style="padding-left: 20px;">Work Flow4</p> <p>SYSTEM DESCRIPTION 7</p> <p>AUTOMATIC DOOR LOCKS 7</p> <p style="padding-left: 20px;">System Diagram7</p> <p style="padding-left: 20px;">System Description7</p> <p style="padding-left: 20px;">Component Parts Location9</p> <p style="padding-left: 20px;">Component Description 10</p> <p>DOOR LOCK FUNCTION11</p> <p>DOOR LOCK AND UNLOCK SWITCH 11</p> <p style="padding-left: 20px;">DOOR LOCK AND UNLOCK SWITCH : System Diagram 11</p> <p style="padding-left: 20px;">DOOR LOCK AND UNLOCK SWITCH : System Description 11</p> <p style="padding-left: 20px;">DOOR LOCK AND UNLOCK SWITCH : Component Parts Location 12</p> <p style="padding-left: 20px;">DOOR LOCK AND UNLOCK SWITCH : Component Description 12</p> <p>REMOTE KEYLESS ENTRY 13</p> <p style="padding-left: 20px;">REMOTE KEYLESS ENTRY : System Diagram 13</p> <p style="padding-left: 20px;">REMOTE KEYLESS ENTRY : System Description 13</p> <p style="padding-left: 20px;">REMOTE KEYLESS ENTRY : Component Parts Location 15</p> <p style="padding-left: 20px;">REMOTE KEYLESS ENTRY : Component Description 15</p> <p>HOMELINK UNIVERSAL TRANSCEIVER17</p> <p style="padding-left: 20px;">Component Description 17</p> <p>DIAGNOSIS SYSTEM (BCM)18</p> <p>COMMON ITEM 18</p> <p style="padding-left: 20px;">COMMON ITEM : CONSULT Function (BCM - COMMON ITEM) 18</p>	<p>DOOR LOCK18</p> <p style="padding-left: 20px;">DOOR LOCK : CONSULT Function (BCM - DOOR LOCK)19</p> <p>MULTI REMOTE ENT19</p> <p style="padding-left: 20px;">MULTI REMOTE ENT : CONSULT Function (BCM - MULTI REMOTE ENT) 19</p> <p>DTC/CIRCUIT DIAGNOSIS22</p> <p>U1000 CAN COMM CIRCUIT22</p> <p style="padding-left: 20px;">Description22</p> <p style="padding-left: 20px;">DTC Logic22</p> <p style="padding-left: 20px;">Diagnosis Procedure22</p> <p>U1010 CONTROL UNIT (CAN)23</p> <p style="padding-left: 20px;">DTC Logic23</p> <p style="padding-left: 20px;">Diagnosis Procedure23</p> <p style="padding-left: 20px;">Special Repair Requirement23</p> <p>POWER SUPPLY AND GROUND CIRCUIT24</p> <p>BCM (BODY CONTROL MODULE)24</p> <p style="padding-left: 20px;">BCM (BODY CONTROL MODULE) : Diagnosis Procedure24</p> <p>DOOR SWITCH26</p> <p>KING CAB26</p> <p style="padding-left: 20px;">KING CAB : Description26</p> <p style="padding-left: 20px;">KING CAB : Component Function Check26</p> <p style="padding-left: 20px;">KING CAB : Diagnosis Procedure26</p> <p>CREW CAB27</p> <p style="padding-left: 20px;">CREW CAB : Description27</p> <p style="padding-left: 20px;">CREW CAB : Component Function Check27</p> <p style="padding-left: 20px;">CREW CAB : Diagnosis Procedure28</p> <p>DOOR LOCK AND UNLOCK SWITCH30</p> <p>KING CAB30</p> <p style="padding-left: 20px;">KING CAB : Description30</p> <p style="padding-left: 20px;">KING CAB : Component Function Check30</p>
--	--

DLK

KING CAB : Diagnosis Procedure	30	Component Function Check	55
		Diagnosis Procedure	55
CREW CAB	32	HAZARD FUNCTION	56
CREW CAB : Description	32	Description	56
CREW CAB : Component Function Check	32	Component Function Check	56
CREW CAB : Diagnosis Procedure	33	Diagnosis Procedure	56
FRONT DOOR LOCK ASSEMBLY LH (KEY CYLINDER SWITCH)	36	HEADLAMP FUNCTION	57
		Diagnosis Procedure	57
KING CAB	36	MAP LAMP AND IGNITION KEYHOLE ILLU- MINATION FUNCTION	58
KING CAB : Description	36	Diagnosis Procedure	58
KING CAB : Component Function Check	36	KEYFOB ID SET UP WITH CONSULT	59
KING CAB : Diagnosis Procedure	36	ID Code Entry Procedure	59
CREW CAB	38	KEYFOB ID SET UP WITHOUT CONSULT	60
CREW CAB : Description	38	ID Code Entry Procedure	60
CREW CAB : Component Function Check	38	HOMELINK UNIVERSAL TRANSCEIVER	62
CREW CAB : Diagnosis Procedure	38	Description	62
KEY SWITCH (BCM INPUT)	41	Component Function Check	62
		Diagnosis Procedure	62
COLUMN SHIFT	41	ECU DIAGNOSIS INFORMATION	64
COLUMN SHIFT : Diagnosis Procedure	41	BCM (BODY CONTROL MODULE)	64
FLOOR SHIFT	42	Reference Value	64
FLOOR SHIFT : Diagnosis Procedure	42	Terminal Layout	67
DOOR LOCK ACTUATOR	44	Physical Values	67
		Fail Safe	72
FRONT LH	44	DTC Inspection Priority Chart	72
FRONT LH : Description	44	DTC Index	73
FRONT LH : Component Function Check	44	WIRING DIAGRAM	75
FRONT LH : Diagnosis Procedure	44	INTEGRATED HOMELINK TRANSMITTER	75
FRONT RH	45	Wiring Diagram	75
FRONT RH : Description	45	POWER DOOR LOCK SYSTEM	77
FRONT RH : Component Function Check	45	Wiring Diagram - King Cab	77
FRONT RH : Diagnosis Procedure	45	Wiring Diagram - Crew Cab	85
REAR RH/LH	46	REMOTE KEYLESS ENTRY SYSTEM	96
REAR RH/LH : Description	46	Wiring Diagram	96
REAR RH/LH : Component Function Check	46	SYMPTOM DIAGNOSIS	106
REAR RH/LH : Diagnosis Procedure	46	DOOR LOCK	106
REMOTE KEYLESS ENTRY RECEIVER	48	Symptom Table	106
Description	48	REMOTE KEYLESS ENTRY SYSTEM	107
Component Function Check	48	Symptom Table	107
Diagnosis Procedure	48	HOMELINK UNIVERSAL TRANSCEIVER	109
KEYFOB BATTERY AND FUNCTION	51	Symptom Table	109
Description	51	SQUEAK AND RATTLE TROUBLE DIAG- NOSES	110
Component Function Check	51	Work Flow	110
Diagnosis Procedure	51	Generic Squeak and Rattle Troubleshooting	111
Component Inspection	52		
HORN FUNCTION	53		
Description	53		
Component Function Check	53		
Diagnosis Procedure	53		
WARNING CHIME FUNCTION	55		
Description	55		

Diagnostic Worksheet	114	Hood Stay Disposal	124	
PRECAUTION	116	DOOR	125	A
PRECAUTIONS	116	Fitting Adjustment	125	
Precaution for Supplemental Restraint System (SRS) "AIR BAG" and "SEAT BELT PRE-TEN- SIONER"	116	Removal and Installation	127	B
Precaution for Servicing Doors and Locks	116	FRONT DOOR LOCK	130	
Precaution for Work	117	Component Structure	130	C
PREPARATION	118	Removal and Installation	130	
PREPARATION	118	Disassembly and Assembly	132	D
Special Service Tool	118	REAR DOOR LOCK	133	
Commercial Service Tool	119	Component Structure	133	D
REMOVAL AND INSTALLATION	120	Removal and Installation	134	
HOOD	120	TAIL GATE	137	E
Fitting Adjustment	120	Exploded View	137	
Removal and Installation of Hood Assembly	121	Removal and Installation	137	F
Removal and Installation of Hood Lock Control ...	122	Tail Gate Gas Stay Disposal	138	
Hood Lock Control Inspection	123	DOOR SWITCH	140	G
		Exploded View	140	
		Removal and Installation	140	H

DLK

DIAGNOSIS AND REPAIR WORKFLOW

< BASIC INSPECTION >

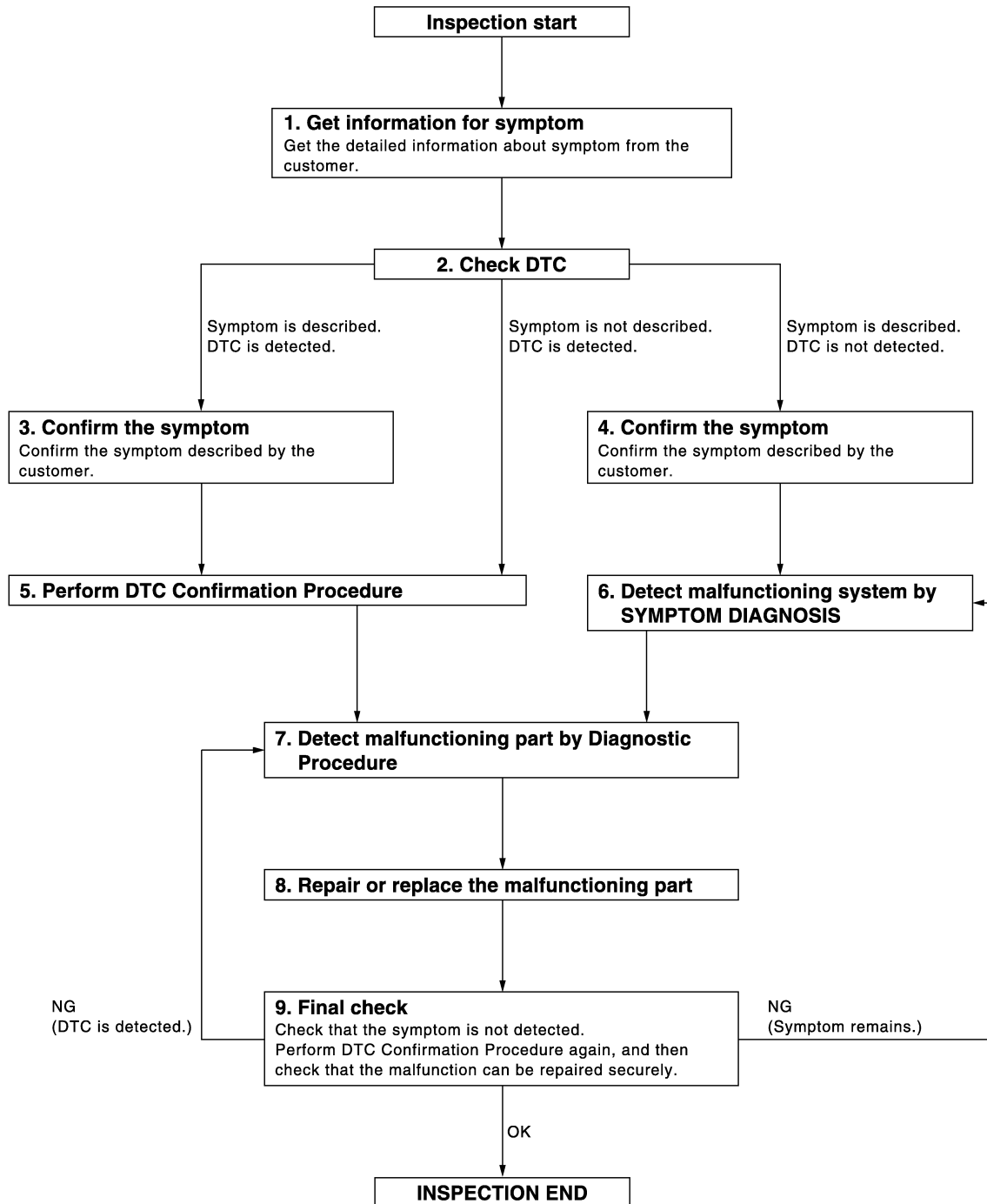
BASIC INSPECTION

DIAGNOSIS AND REPAIR WORKFLOW

Work Flow

INFOID:000000011560063

OVERALL SEQUENCE



DETAILED FLOW

JMKIA2270GB

DIAGNOSIS AND REPAIR WORKFLOW

< BASIC INSPECTION >

1.GET INFORMATION FOR SYMPTOM

Get the detailed information from the customer about the symptom (the condition and the environment when the incident/malfunction occurred).

>> GO TO 2.

2.CHECK DTC

1. Check DTC.
2. Perform the following procedure if DTC is displayed.
 - Record DTC and freeze frame data (Print them out with CONSULT).
 - Erase DTC.
 - Study the relationship between the cause detected by DTC and the symptom described by the customer.
3. Check related service bulletins for information.

Is any symptom described and any DTC detected?

- Symptom is described, DTC is displayed>>GO TO 3.
- Symptom is described, DTC is not displayed>>GO TO 4.
- Symptom is not described, DTC is displayed>>GO TO 5.

3.CONFIRM THE SYMPTOM

Confirm the symptom described by the customer.
Connect CONSULT to the vehicle in "DATA MONITOR" mode and check real time diagnosis results.
Verify relation between the symptom and the condition when the symptom is detected.

>> GO TO 5.

4.CONFIRM THE SYMPTOM

Confirm the symptom described by the customer.
Connect CONSULT to the vehicle in "DATA MONITOR" mode and check real time diagnosis results.
Verify relation between the symptom and the condition when the symptom is detected.

>> GO TO 6.

5.PERFORM DTC CONFIRMATION PROCEDURE

Perform DTC Confirmation Procedure for the displayed DTC, and then check that DTC is detected again.
At this time, always connect CONSULT to the vehicle, and check diagnostic results in real time.
If two or more DTCs are detected, refer to [DLK-72. "DTC Inspection Priority Chart"](#) and determine trouble diagnosis order.

NOTE:

- Freeze frame data is useful if the DTC is not detected.
- Perform Component Function Check if DTC Confirmation Procedure is not included in Service Manual. This simplified check procedure is an effective alternative though DTC cannot be detected during this check.
If the result of Component Function Check is NG, it is the same as the detection of DTC by DTC Confirmation Procedure.

Is DTC detected?

- Yes >> GO TO 7.
- No >> Refer to [GI-44. "Intermittent Incident"](#).

6.DETECT MALFUNCTIONING SYSTEM BY SYMPTOM DIAGNOSIS

Detect malfunctioning system according to SYMPTOM DIAGNOSIS based on the confirmed symptom in step 4, and determine the trouble diagnosis order based on possible causes and symptom.

>> GO TO 7.

7.DETECT MALFUNCTIONING PART BY DIAGNOSTIC PROCEDURE

Inspect according to Diagnostic Procedure of the system.

NOTE:

A
B
C
D
E
F
G
H
I
J
L
M
N
O
P

DLK

DIAGNOSIS AND REPAIR WORKFLOW

< BASIC INSPECTION >

The Diagnostic Procedure described based on open circuit inspection. A short circuit inspection is also required for the circuit check in the Diagnostic Procedure.

Is malfunctioning part detected?

Yes >> GO TO 8.

No >> Check voltage of related BCM terminals using CONSULT.

8. REPAIR OR REPLACE THE MALFUNCTIONING PART

1. Repair or replace the malfunctioning part.
2. Reconnect parts or connectors disconnected during Diagnostic Procedure again after repair and replacement.
3. Check DTC. If DTC is displayed, erase it.

>> GO TO 9.

9. FINAL CHECK

When DTC was detected in step 2, perform DTC Confirmation Procedure or Component Function Check again, and then check that the malfunction have been repaired securely.

When symptom was described from the customer, refer to confirmed symptom in step 3 or 4, and check that the symptom is not detected.

Does the symptom reappear?

YES (DTC is detected)>>GO TO 7.

YES (Symptom remains)>>GO TO 6.

NO >> Inspection End.

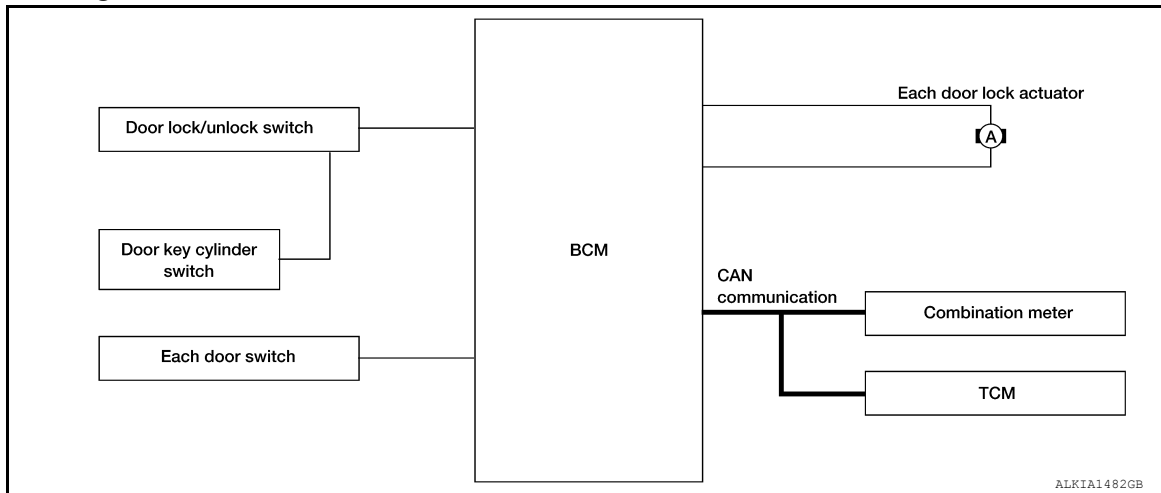
AUTOMATIC DOOR LOCKS

< SYSTEM DESCRIPTION >

SYSTEM DESCRIPTION

AUTOMATIC DOOR LOCKS

System Diagram



System Description

INFOID:0000000011560065

Input	Single	Function	Actuator
Door lock/unlock switch	Door lock/unlock signal	Door lock function	Each door lock actuator
Door key cylinder switch			
Each door switch	Door open/close signal	Key reminder function	
Combination meter	Warning buzzer signal		
	Vehicle speed signal	Automatic door lock/unlock function	
TCM	Shift position signal		

DOOR LOCK FUNCTION

- The door lock and unlock switch (driver side) is built into power window main switch.
- The door lock and unlock switch (passenger side) is on door trim.
- Interlocked with the locking operation of door lock and unlock switch, door lock actuators of all doors are locked.
- Interlocked with the unlocking operation of door lock and unlock switch, door lock actuators of all doors are unlocked.

Door Key Cylinder

- With the door key inserted in the door key cylinder on driver side, turning it to "LOCK", will lock door lock actuator of all doors.
- With the door key inserted in the door key cylinder on driver side, turning it to "UNLOCK" once unlocks the driver side door lock actuator; turning it to "UNLOCK" again within 5 seconds after the first unlock operation unlocks all of the other doors. - (SELECTIVE UNLOCK OPERATION)

Selective unlock operation mode can be changed using "DOOR LOCK-UNLOCK SET" mode in "WORK SUPPORT". Refer to [BCS-19. "DOOR LOCK : CONSULT Function \(BCM - DOOR LOCK\)".](#)

AUTOMATIC DOOR LOCKS (LOCK OPERATION)

The automatic door locks function is the function that locks all doors linked with the vehicle speed or shift position. It has 2 types as follows.

Vehicle Speed Sensing Auto Door Lock*1

All doors are locked when the vehicle speed reaches 24 km/h (15 MPH) or more.

BCM outputs the lock signal to all door lock actuators when it detects that the ignition switch is turned ON, all doors are closed and the vehicle speed received from the combination meter via CAN communication becomes 24 km/h (15 MPH) or more.

AUTOMATIC DOOR LOCKS

< SYSTEM DESCRIPTION >

If a door is opened and closed at any time during one ignition cycle (OFF → ON), even after initial auto door lock has taken place, the BCM will relock all doors when the vehicle speed reaches 24 km/h (15 MPH) or more again.

P Range Interlock Door Lock

All doors are locked when shifting the selector lever from the P position to any position other than P. BCM outputs the lock signal to all door lock actuators when it detects that the ignition switch is in the ON position and the shift signal received from the TCM via CAN communication is shifted from the P position to any position other than P.

Setting change of Automatic Door Locks (LOCK) Function

The LOCK operation setting of the automatic door locks function can be changed.

With CONSULT

The ON/OFF switching of the automatic door locks (LOCK) function and the type selection of the automatic door locks (LOCK) function can be performed at the WORK SUPPORT setting of CONSULT. Refer to [BCS-19, "DOOR LOCK : CONSULT Function \(BCM - DOOR LOCK\)"](#).

Without CONSULT

The automatic door locks (LOCK) function can be switched ON/OFF by performing the following operation.

1. Close all doors (door switch OFF).
2. Turn ignition switch ON.
3. Within 20 seconds of turning the ignition switch ON, press and hold the door lock and unlock switch to the LOCK position for more than 5 seconds.
4. The switching is completed when the hazard lamps blink.

OFF → ON : 2 blinks

ON → OFF : 1 blink

5. The ignition switch must be turned OFF and ON again between each setting change.

AUTOMATIC DOOR LOCKS (UNLOCK OPERATION)

The automatic door locks (UNLOCK) function is the function that unlocks all doors linked with the key position or shift position. It has 2 types as follows.

IGN OFF Interlock Door Unlock*1

All doors are unlocked when the power supply position is changed from ON to OFF. BCM outputs the unlock signal to all door lock actuators when it detects that the power supply position is changed from ignition switch ON to OFF.

P Range Interlock Door Unlock

All doors are unlocked when shifting the selector lever from any position other than the P to P position. BCM outputs the unlock signal to all door lock actuators when it detects that the ignition switch is in the ON position and the shift signal received from TCM via CAN communication is shifted from any position other than the P to P position.

Setting change of Automatic Door Locks (UNLOCK) Function

The UNLOCK operation setting of the automatic door locks function can be changed.

With CONSULT

The ON/OFF switching of the automatic door locks (UNLOCK) function and the type selection of the automatic door locks (UNLOCK) function can be performed at the WORK SUPPORT setting of CONSULT. Refer to [BCS-19, "DOOR LOCK : CONSULT Function \(BCM - DOOR LOCK\)"](#).

Without CONSULT

The automatic door locks (UNLOCK) function can be switched ON/OFF by performing the following operation.

1. Close all doors (door switch OFF).
2. Turn ignition switch ON.
3. Within 20 seconds of turning the ignition switch ON, press and hold the door lock and unlock switch to the UNLOCK position for more than 5 seconds.
4. The switching is completed when the hazard lamps blink.

OFF → ON : 2 blinks

ON → OFF : 1 blink

AUTOMATIC DOOR LOCKS

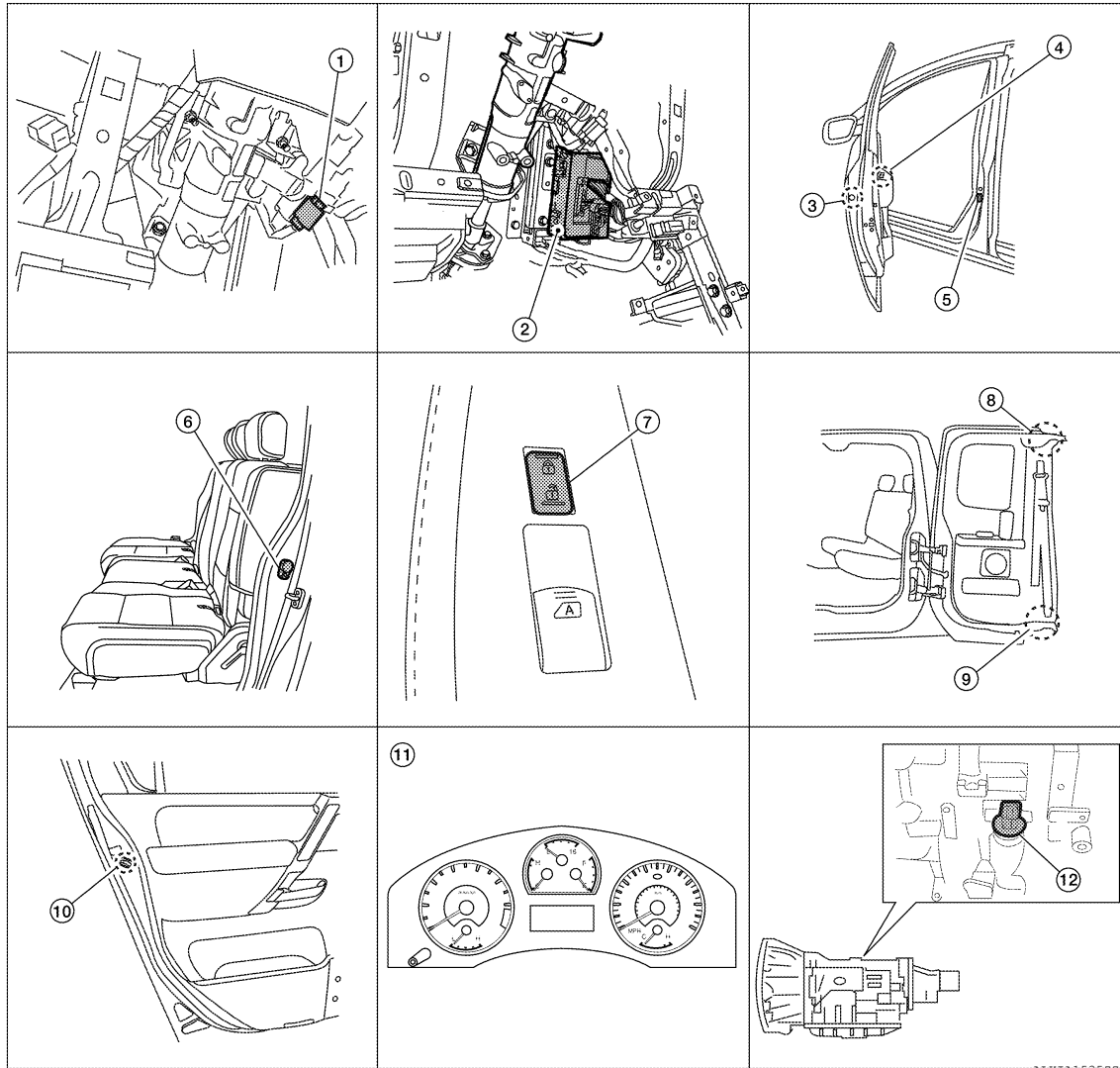
< SYSTEM DESCRIPTION >

5. The ignition switch must be turned OFF and ON again between each setting change.

*1: This function is set to ON before delivery.

Component Parts Location

INFOID:0000000011560066



- | | | |
|---|---|--|
| 1. Key switch and key lock solenoid (key switch) (floor shift) M27
Key switch (column shift) M80 | 2. BCM M18, M19, M20
(view with instrument panel LH removed) | 3. Front door lock assembly LH (key cylinder switch) D14
Front door lock actuator RH D114 |
| 4. Main power window and door lock/unlock switch
D15 (king cab)
D7, D8 (crew cab) | 5. Front door switch
LH B8
RH B108 | 6. Rear door switch (crew cab)
LH B18
RH B116 |
| 7. Power window and door lock/unlock switch RH D105 | 8. Rear door switch upper (king cab)
LH B73
RH B156 | 9. Rear door switch lower (king cab)
LH B74
RH B157 |
| 10. Rear door lock actuator (crew cab)
LH D205
RH D305 | 11. Combination meter M24 | 12. A/T assembly F9 (floor shift), F17 (column shift) |

A
B
C
D
E
F
G
H
I
J
K
L
M
N
O
P

DLK

AUTOMATIC DOOR LOCKS

< SYSTEM DESCRIPTION >

Component Description

INFOID:000000011560067

Item	Function
BCM	Controls the door lock function and room lamp function.
Door lock and unlock switch	Input lock or unlock signal to BCM.
Door lock actuator	Output lock/unlock signal from BCM and locks/unlocks each door.
Door switch	Input door open/close condition to BCM.
Door key cylinder switch	<ul style="list-style-type: none">• Input lock or unlock signal to main power window and door lock/unlock switch.• Main power window and door lock/unlock switch transmits door lock/unlock signal to BCM.
Combination meter	<ul style="list-style-type: none">• Receive buzzer signal from BCM via CAN communication line, and sounds the buzzer.• Transmits vehicle speed signal to BCM via CAN communication line.
TCM	Transmit shift position signal to BCM via CAN communication line.

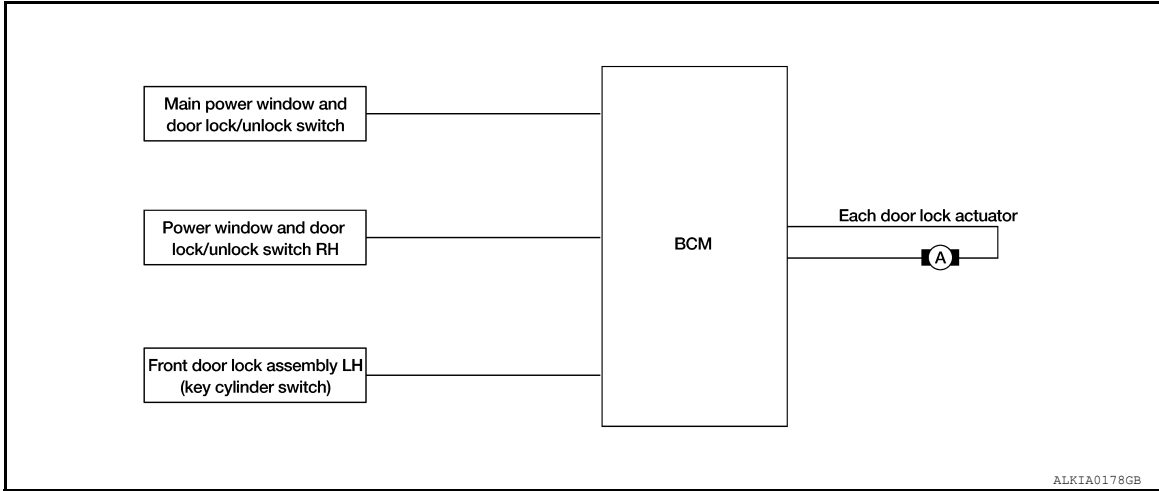
DOOR LOCK FUNCTION

< SYSTEM DESCRIPTION >

DOOR LOCK FUNCTION DOOR LOCK AND UNLOCK SWITCH

DOOR LOCK AND UNLOCK SWITCH : System Diagram

INFOID:000000011560068



ALKIA0178GB

DOOR LOCK AND UNLOCK SWITCH : System Description

INFOID:000000011560069

Switch	Input/output signal to BCM	BCM function	Actuator
Main power window and door lock/unlock switch	Door lock/unlock signal	Door lock/unlock control	Door lock actuator
Power window and door lock/unlock switch			
Door key cylinder switch			

DOOR LOCK FUNCTION

Functions Available by Operating the Door Lock and Unlock Switches on Driver Door and Passenger Door

- Interlocked with the locking operation of door lock and unlock switch, door lock actuators of all door lock actuators are locked.
- Interlocked with the unlocking operation of door lock and unlock switch, door lock actuators of all door lock actuators are unlocked.

Functions Available by Operating the Key Cylinder Switch on Driver Door

- Interlocked with the locking operation of door key cylinder, door lock actuators of all door lock actuators are locked.

Selective Unlock Operation

- When door key cylinder is unlocked, door lock actuator driver side is unlocked.
- When door key cylinder is unlocked for the second time within 5 seconds after the first operation, door lock actuators on all doors are unlocked.

Select unlock operation mode can be changed using DOOR LOCK-UNLOCK SET mode in "WORK SUPPORT". Refer to [BCS-19, "DOOR LOCK : CONSULT Function \(BCM - DOOR LOCK\)"](#).

Key Reminder System

Refer to [BCS-18, "COMMON ITEM : CONSULT Function \(BCM - COMMON ITEM\)"](#).

A
B
C
D
E
F
G
H
I
J
L
M
N
O
P

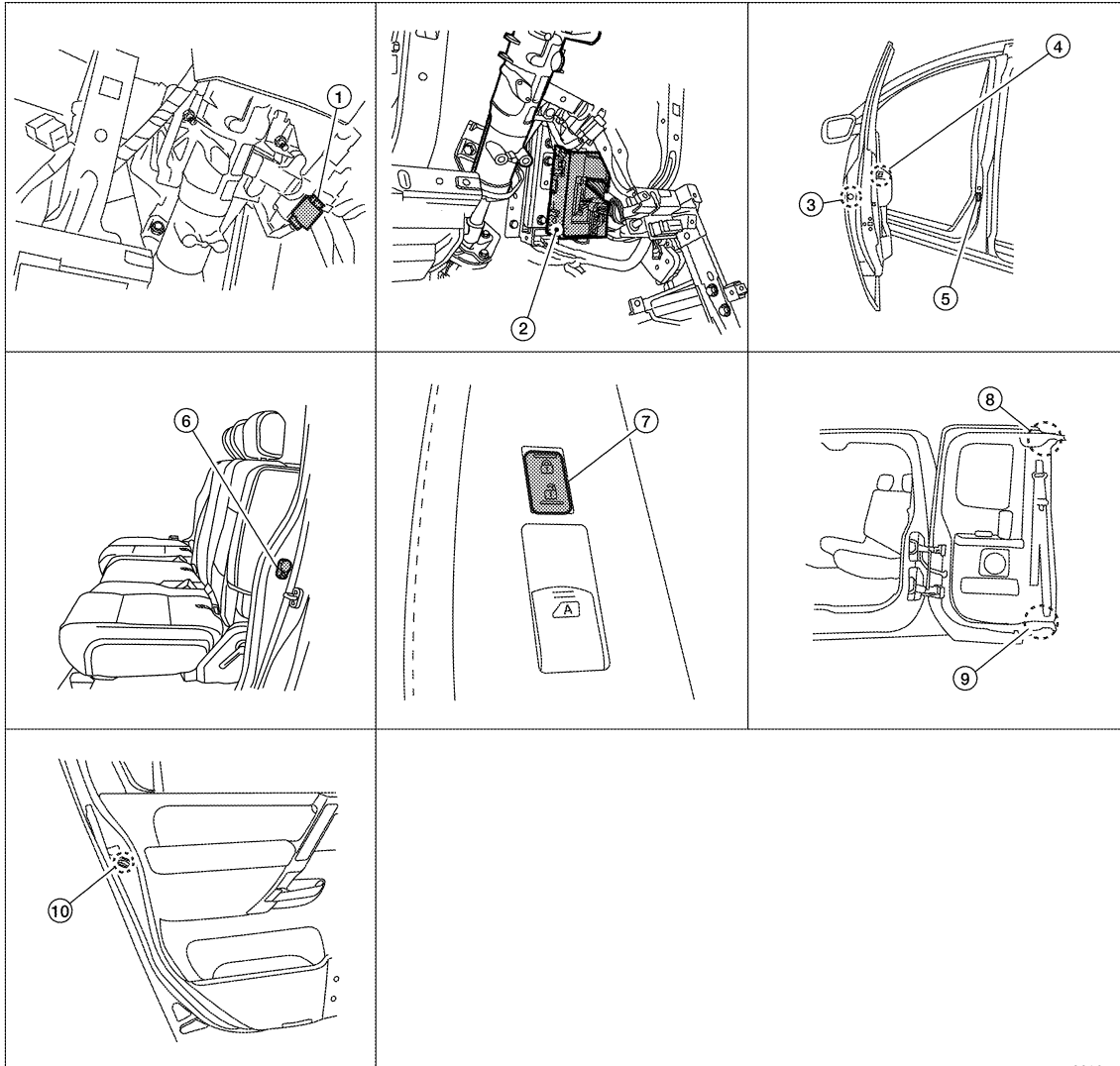
DLK

DOOR LOCK FUNCTION

< SYSTEM DESCRIPTION >

DOOR LOCK AND UNLOCK SWITCH : Component Parts Location

INFOID:000000011560070



ALKIA09182Z

- | | | |
|---|--|--|
| <p>1. Key switch and key lock solenoid (key switch) (floor shift) M27
Key switch (column shift) M80</p> <p>4. Main power window and door lock/unlock switch
D15 (king cab)
D7, D8 (crew cab)</p> <p>7. Power window and door lock/unlock switch RH D105</p> <p>10. Rear door lock actuator (crew cab)
LH D205
RH D305</p> | <p>2. BCM M18, M19, M20
(view with instrument panel LH removed)</p> <p>5. Front door switch
LH B8
RH B108</p> <p>8. Rear door switch upper (king cab)
LH B73
RH B156</p> | <p>3. Front door lock assembly LH (key cylinder switch) D14
Front door lock actuator RH D114</p> <p>6. Rear door switch (crew cab)
LH B18
RH B116</p> <p>9. Rear door switch lower (king cab)
LH B74
RH B157</p> |
|---|--|--|

DOOR LOCK AND UNLOCK SWITCH : Component Description

INFOID:000000011560071

Item	Function
BCM	Controls the door lock function and room lamp function.
Door lock and unlock switch	Transmits lock or unlock signal to BCM.

DOOR LOCK FUNCTION

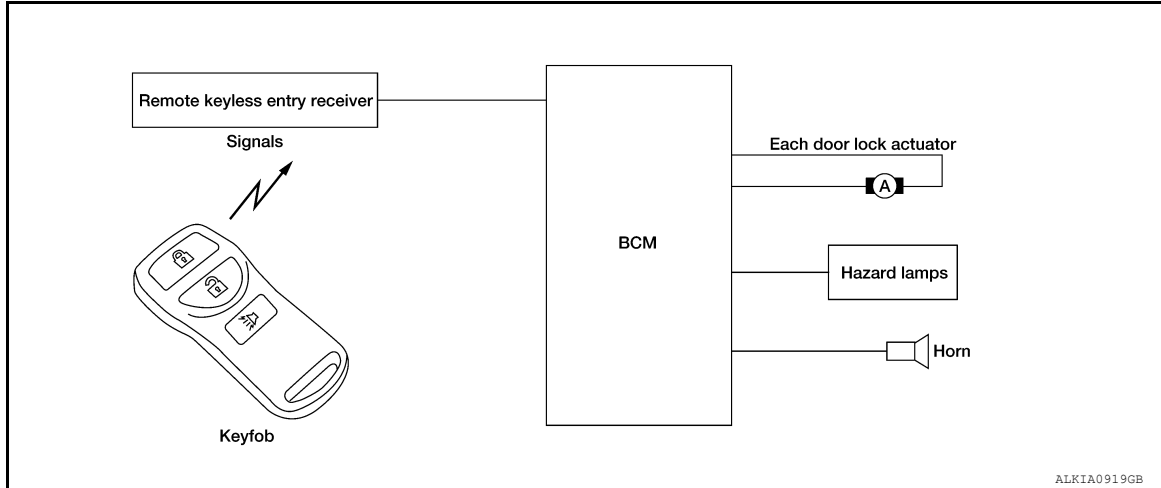
< SYSTEM DESCRIPTION >

Item	Function
Door lock actuator	Receives lock/unlock signal from BCM and locks/unlocks each door.
Door switch	Transmits door open/close condition to BCM.

REMOTE KEYLESS ENTRY

REMOTE KEYLESS ENTRY : System Diagram

INFOID:0000000011560072



REMOTE KEYLESS ENTRY : System Description

INFOID:0000000011560073

OPERATED PROCEDURE

- When the keyfob is operated, the signal from the keyfob is sent and the remote keyless entry receiver receives the signal and sends it to the BCM. The BCM only locks/unlocks the doors if the ID number matches. (Remote control entry functions)
- Using the keyfob, the transmitter sends radio waves to the remote keyless entry receiver, which then sends the received waves to the BCM. Only if the ID number matches does the BCM lock/unlock the doors. (Remote control door function)
- Unless the key is inserted into the ignition key cylinder or one of the doors is opened within 1 minute after the UNLOCK switch on the keyfob is pressed, all the doors are automatically locked. (Auto lock function)
- When a door is locked or unlocked, the vehicle turn signal lamps flash and the horn sounds to verify operation. (Active check function)
- When the key is in the ignition key cylinder (when the key switch is ON) and one of the doors is open, the door lock function does not work even when the door lock is operated with the keyfob.
- Keyfob ID set up is available.
- If a keyfob is lost, a new keyfob can be set up. A maximum of 5 IDs can be set up simultaneously.

REMOTE CONTROL ENTRY FUNCTIONS

- When a button on the keyfob is operated, the signal is sent from the keyfob and received by the remote keyless entry receiver.
- The received signal is sent to the BCM and compared with the registered ID number.
- If the ID number matches, the BCM sends the lock/unlock signal to each door lock actuator.
- When the door lock actuators receive this signal, each operates to lock/unlock its door.
- BCM locks all doors with input of LOCK signal from keyfob.
- When an UNLOCK signal is sent from keyfob once, driver's door will be unlocked.
- Then, if an UNLOCK signal is sent from keyfob again within 5 seconds, all other doors will be unlocked.

REMOTE CONTROL ENTRY OPERATION CONDITIONS

Keyfob operation	Operation condition
Door lock operation (locking)	<ul style="list-style-type: none"> • With key removed (key switch: OFF) • Closing all doors (door switch: OFF)
Door lock operation (unlocking)	With key removed (key switch: OFF)

DOOR LOCK FUNCTION

< SYSTEM DESCRIPTION >

AUTO LOCK FUNCTION

Operation Description

- Unless the key is inserted into the ignition key cylinder, one of the doors is opened, or the keyfob is operated within 1 minute after a door lock is unlocked by keyfob operation, all the doors are automatically locked. The 1 minute timer count is executed by the BCM and after 1 minute, the BCM sends the lock signal to all doors. Lock operations are the same as for the remote control entry function.

ACTIVE CHECK FUNCTION

Operation Description

When a door is locked or unlocked by keyfob operation, the vehicle turn signals flash and the horn sounds to verify operation.

- When a button on the keyfob is operated, the signal is sent from the remote controller and received by the keyless remote entry receiver.
- The received signal is sent to the BCM and compared with the registered ID number.
- If the ID number matches, the BCM uses communication to send the turn signal flashing and horn signal to the IPDM E/R.
- The IPDM E/R flashes the turn signal lamps and sounds the horn for each keyfob operation.

Operating function of hazard and horn reminder

	C mode		S mode	
	Lock	Unlock	Lock	Unlock
Keyfob operation	Lock	Unlock	Lock	Unlock
Hazard warning lamp flash	Twice	Once	Twice	—
Horn sound	Once	—	—	—

HAZARD AND HORN REMINDER

BCM output to IPDM E/R for horn reminder signal as DATA LINE (CAN-H line and CAN-L line).

The hazard and horn reminder has C mode (horn chirp mode) and S mode (non-horn chirp mode).

How to change hazard and horn reminder mode

With CONSULT

Hazard and horn reminder can be changed using "WORK SUPPORT" mode in "MULTI ANSWER BACK SET".

Without CONSULT

Refer to Owner's Manual for instructions.

INTERIOR LAMP OPERATION

When the following input signals are both supplied:

- all door switches are in the OFF position. (when all the doors are closed);
- interior lamp switch is in DOOR position.

Remote keyless entry system turns on interior lamp and ignition keyhole illumination (for 30 seconds) with input of UNLOCK signal from keyfob.

PANIC ALARM OPERATION

When key switch is OFF (when ignition key is not inserted in key cylinder), remote keyless entry system turns on and off horn and headlamp intermittently with input of PANIC ALARM signal from keyfob.

The alarm automatically turns off after 25 seconds or when BCM receives any signal from keyfob.

KEYLESS POWER WINDOW DOWN (OPEN) OPERATION

When keyfob unlock switch is turned ON with ignition switch OFF, and the switch is detected to be ON continuously for more than 1 second, the driver's door and passenger's door power windows are simultaneously opened.

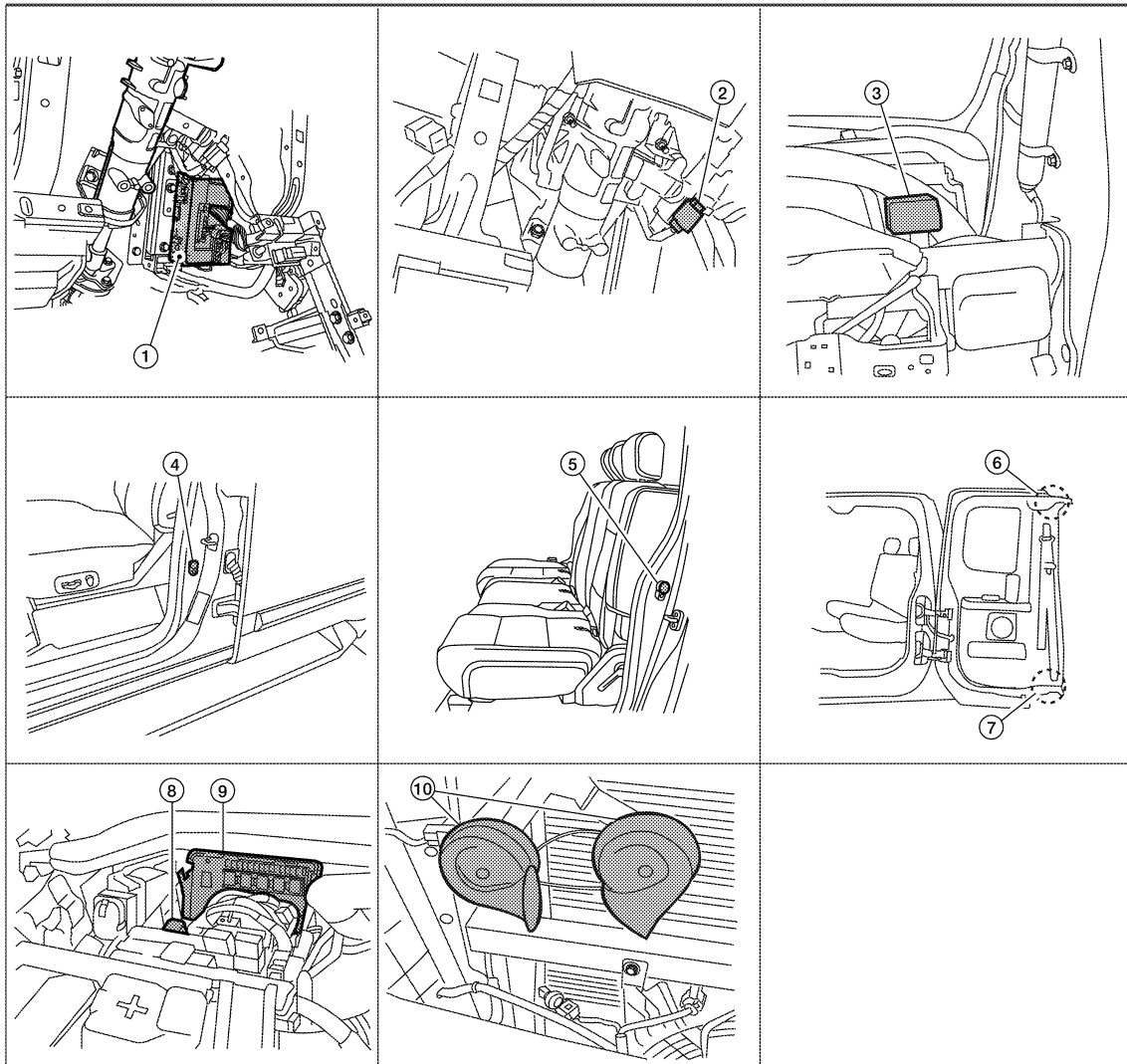
Power window is operated to open and the operation continues as long as the keyfob unlock switch is pressed.

DOOR LOCK FUNCTION

< SYSTEM DESCRIPTION >

REMOTE KEYLESS ENTRY : Component Parts Location

INFOID:000000011560074



- | | | |
|--|---|---|
| <p>1. BCM M18, M19, M20
(view with instrument panel LH removed)</p> <p>4. Front door switch LH B8
RH B108</p> <p>7. Rear door switch lower (king cab)
LH B74
RH B157</p> <p>10. Horn E3
(view with grille removed)</p> | <p>2. Key switch and key lock solenoid (key switch) (floor shift) M27
Key switch (column shift) M80
(view with instrument panel LH removed)</p> <p>5. Rear door switch (crew cab)
LH B18
RH B116</p> <p>8. Horn relay H-1
(view with cover removed)</p> | <p>3. Remote keyless entry receiver M120
(view with instrument panel RH removed)</p> <p>6. Rear door switch upper (king cab)
LH B73
RH B156</p> <p>9. IPDM E/R E122, E124</p> |
|--|---|---|

ALKIA09202Z

REMOTE KEYLESS ENTRY : Component Description

INFOID:000000011560075

Item	Function
BCM	Controls the door lock function and room lamp function.
Door lock and unlock switch	Transmits lock or unlock signal to BCM.

DOOR LOCK FUNCTION

< SYSTEM DESCRIPTION >

Item	Function
Door switch	Transmits door open/close condition to BCM.
Remote keyless entry receiver	Receives lock/unlock signal from the keyfob, and then transmits to BCM.

HOMELINK UNIVERSAL TRANSCEIVER

< SYSTEM DESCRIPTION >

HOMELINK UNIVERSAL TRANSCEIVER

Component Description

INFOID:0000000011560076

Item	Function	Reference page
Homelink universal transceiver	A maximum of 3 radio signals can be stored and transmitted to operate the garage door, etc.	Refer to Owner's Manual

A
B
C
D
E
F
G
H
I
J
DLK
L
M
N
O
P

DIAGNOSIS SYSTEM (BCM)

< SYSTEM DESCRIPTION >

DIAGNOSIS SYSTEM (BCM)

COMMON ITEM

COMMON ITEM : CONSULT Function (BCM - COMMON ITEM)

INFOID:000000011880213

APPLICATION ITEM

CONSULT performs the following functions via CAN communication with BCM:

Direct Diagnostic Mode	Description
Ecu Identification	The BCM part number is displayed.
Self Diagnostic Result	The BCM self diagnostic results are displayed.
Data Monitor	The BCM input/output data is displayed in real time.
Active Test	The BCM activates outputs to test components.
Work support	The settings for BCM functions can be changed.
Configuration	<ul style="list-style-type: none"> • The vehicle specification can be read and saved. • The vehicle specification can be written when replacing BCM.
CAN Diag Support Mntr	The result of transmit/receive diagnosis of CAN communication is displayed.

SYSTEM APPLICATION

BCM can perform the following functions:

System	Sub System	Direct Diagnostic Mode						
		Ecu Identification	Self Diagnostic Result	Data Monitor	Active Test	Work support	Configuration	CAN Diag Support Mntr
Door lock	DOOR LOCK			x	x	x		
Rear window defogger	REAR DEFOGGER			x	x			
Warning chime	BUZZER			x	x			
Interior room lamp timer	INT LAMP			x	x	x		
Remote keyless entry system	MULTI REMOTE ENT			x	x	x		
Exterior lamp	HEADLAMP			x	x	x		
Wiper and washer	WIPER			x	x	x		
Turn signal and hazard warning lamps	FLASHER			x	x			
Air conditioner	AIR CONDITIONER			x				
Combination switch	COMB SW			x				
BCM	BCM	x	x			x	x	x
Immobilizer	IMMU		x	x	x			
Interior room lamp battery saver	BATTERY SAVER			x	x	x		
Vehicle security system	THEFT ALM			x	x	x		
RAP system	RETAINED PWR			x	x	x		
Signal buffer system	SIGNAL BUFFER			x	x			
TPMS	AIR PRESSURE MONITOR		x	x	x	x		
Panic alarm system	PANIC ALARM				x			

DOOR LOCK

DIAGNOSIS SYSTEM (BCM)

< SYSTEM DESCRIPTION >

DOOR LOCK : CONSULT Function (BCM - DOOR LOCK)

INFOID:000000011880214

DATA MONITOR

Monitor Item [Unit]	Description
IGN ON SW [On/Off]	Indicates condition of ignition switch ON position.
KEY ON SW [On/Off]	Indicates condition of key switch.
CDL LOCK SW [On/Off]	Indicates condition of lock signal from door lock and unlock switch.
CDL UNLOCK SW [On/Off]	Indicates condition of unlock signal from door lock and unlock switch.
DOOR SW-DR [On/Off]	Indicates condition of front door switch LH.
DOOR SW-AS [On/Off]	Indicates condition of front door switch RH.
DOOR SW-RR [On/Off]	Indicates condition of rear door switch RH.
DOOR SW-RL [On/Off]	Indicates condition of rear door switch LH.
KEY CYL LK-SW [On/Off]	Indicates condition of lock signal from door key cylinder switch.
KEY CYL UN-SW [On/Off]	Indicates condition of unlock signal from door key cylinder switch.
KEYLESS LOCK [On/Off]	Indicates condition of lock signal from keyfob.
KEYLESS UNLOCK [On/Off]	Indicates condition of unlock signal from keyfob.

ACTIVE TEST

Test Item	Description
DOOR LOCK	This test is able to check door lock operation [OTR ULK/DR UNLK/ALL ULK/ALL LCK].

WORK SUPPORT

Support Item	Setting	Description
DOOR LOCK-UNLOCK SET	On*	Automatic door locks function ON.
	Off	Automatic door locks function OFF.
ANTI-LOCK OUT SET	Off	Anti lock out function OFF.
	On*	Anti lock out function ON.
AUTOMATIC DOOR LOCK SELECT	SHIFT OUT OF P	Doors lock automatically when shifted out of park (P).
	VH SPD*	Doors lock automatically when vehicle speed reaches 24 km/h (15 mph).
AUTOMATIC DOOR UNLOCK SELECT	MODE6	Drivers door unlocks automatically when key is removed.
	MODE5	Drivers door unlocks automatically when shifted into park (P).
	MODE4	Drivers door unlocks automatically when ignition is switched from ON to OFF.
	MODE3	Doors unlock automatically when key is removed.
	MODE2*	Doors unlock automatically when shifted into park (P).
AUTOMATIC LOCK/UNLOCK SELECT	On	Automatic lock/unlock function ON.
	Off*	Automatic lock/unlock function OFF.

* : Initial setting

MULTI REMOTE ENT

MULTI REMOTE ENT : CONSULT Function (BCM - MULTI REMOTE ENT)

INFOID:000000011880215

DATA MONITOR

DIAGNOSIS SYSTEM (BCM)

< SYSTEM DESCRIPTION >

Monitor Item [Unit]	Description
IGN ON SW [On/Off]	Indicates condition of ignition switch ON position.
KEY ON SW [On/Off]	Indicates condition of key switch.
ACC ON SW [On/Off]	Indicates condition of ignition switch ACC position.
KEYLESS LOCK [On/Off]	Indicates condition of lock signal from keyfob.
KEYLESS UNLOCK [On/Off]	Indicates condition of unlock signal from keyfob.
KEYLESS PANIC [On/Off]	Indicates condition of panic signal from keyfob.
DOOR SW-DR [On/Off]	Indicates condition of front door switch LH.
DOOR SW-AS [On/Off]	Indicates condition of front door switch RH.
DOOR SW-RR [On/Off]	Indicates condition of rear door switch RH.
DOOR SW-RL [On/Off]	Indicates condition of rear door switch LH.
CDL LOCK SW [On/Off]	Indicates condition of lock signal from door lock and unlock switch.
CDL UNLOCK SW [On/Off]	Indicates condition of unlock signal from door lock and unlock switch.
KEY CYL LK SW [On/Off]	Indicates condition of lock signal from door key cylinder switch.

ACTIVE TEST

Test Item	Description
DOOR LOCK	This test is able to check door lock operation [OTR ULK/DR UNLK/ALL ULK/ALL LCK].
PW REMOTO DOWN SET	This test is able to check keyfob power window down operation [Off/On].
FLASHER	This test is able to check hazard reminder operation [Off/LH/RH].
HORN	This test is able to check horn operation [On].

WORK SUPPORT

Support Item	Setting	Description	
HORN CHIRP SET	Off	Horn chirp function can be changed in this mode.	
	On*		
HAZARD LAMP SET	MODE4* Lock and Unlock	Hazard warning lamp function can be changed in this mode.	
	MODE3 Lock Only		
	MODE2 Unlock Only		
	MODE1 OFF		
MULTI ANSWER BACK SET	MODE2	Lock	Hazard warning lamps flash twice and horn does not sound.
		Unlock	Hazard warning lamps do not flash and horn does not sound.
	MODE1*	Lock	Hazard warning lamps flash twice and horn sounds once.
		Unlock	Hazard warning lamps flash once and horn does not sound.
AUTO LOCK SET	MODE3	1 min	Auto locking function can be changed in this mode.
	MODE2	OFF	
	MODE1*	5 min	
PANIC ALRM SET	MODE3	1.5 sec	Panic alarm operation can be changed in this mode.
	MODE2	OFF	
	MODE1*	0.5 sec	
PW DOWN SET	MODE3	5 sec	Keyfob power window down can be changed in this mode.
	MODE2	OFF	
	MODE1*	3 sec	
REMO CONT ID REGIST	—	Keyfob ID code can be registered.	

DIAGNOSIS SYSTEM (BCM)

< SYSTEM DESCRIPTION >

Support Item	Setting	Description
REMO CONT ID ERASUR	—	Keyfob ID code can be erased.
REMO CONT ID CONFIR	—	Keyfob ID code registration is displayed.

*: Initial setting

A

B

C

D

E

F

G

H

I

J

DLK

L

M

N

O

P

U1000 CAN COMM CIRCUIT

< DTC/CIRCUIT DIAGNOSIS >

DTC/CIRCUIT DIAGNOSIS

U1000 CAN COMM CIRCUIT

Description

INFOID:000000011560080

CAN (Controller Area Network) is a serial communication line for real time applications. It is an on-vehicle multiplex communication line with high data communication speed and excellent error detection ability. Modern vehicle is equipped with many electronic control unit, and each control unit shares information and links with other control units during operation (not independent). In CAN communication, control units are connected with 2 communication lines (CAN H-line, CAN L-line) allowing a high rate of information transmission with less wiring. Each control unit transmits/receives data but selectively reads required data only. CAN Communication Signal Chart. Refer to [LAN-51, "CAN Communication Signal Chart"](#).

DTC Logic

INFOID:000000011560081

DTC DETECTION LOGIC

DTC	CONSULT display description	DTC Detection Condition	Possible cause
U1000	CAN COMM CIRCUIT	When BCM cannot communicate CAN communication signal continuously for 2 seconds or more.	In CAN communication system, any item (or items) of the following listed below is malfunctioning. <ul style="list-style-type: none">• Transmission• Receiving (ECM)• Receiving (VDC/TCS/ABS)• Receiving (METER/M&A)• Receiving (TCM)• Receiving (IPDM E/R)

Diagnosis Procedure

INFOID:000000011560082

1.PERFORM SELF DIAGNOSTIC

1. Turn ignition switch ON and wait for 2 seconds or more.
2. Check "Self Diagnostic Result".

Is "CAN COMM CIRCUIT" displayed?

- YES >> Refer to [LAN-14, "Trouble Diagnosis Flow Chart"](#).
NO >> Refer to [GI-44, "Intermittent Incident"](#).

U1010 CONTROL UNIT (CAN)

< DTC/CIRCUIT DIAGNOSIS >

U1010 CONTROL UNIT (CAN)

DTC Logic

INFOID:0000000011560083

DTC DETECTION LOGIC

DTC	CONSULT display description	DTC Detection Condition	Possible cause
U1010	CONTROL UNIT (CAN)	BCM detected internal CAN communication circuit malfunction.	BCM

Diagnosis Procedure

INFOID:0000000011560084

1. REPLACE BCM

When DTC [U1010] is detected, replace BCM.

>> Replace BCM. Refer to [BCS-56. "Removal and Installation"](#).

Special Repair Requirement

INFOID:0000000011560085

1. REQUIRED WORK WHEN REPLACING BCM

The BCM must be initialized when replaced. Refer to [BCS-4. "CONFIGURATION : Description"](#) for BCM configuration.

Initialize NVIS by CONSULT. For the details of initialization refer to CONSULT Immobilizer mode and follow the on-screen instructions.

>> Work End.

A
B
C
D
E
F
G
H
I
J
L
M
N
O
P

DLK

POWER SUPPLY AND GROUND CIRCUIT

< DTC/CIRCUIT DIAGNOSIS >

POWER SUPPLY AND GROUND CIRCUIT

BCM (BODY CONTROL MODULE)

BCM (BODY CONTROL MODULE) : Diagnosis Procedure

INFOID:000000011880218

Regarding Wiring Diagram information, refer to [BCS-47. "Wiring Diagram"](#).

1. CHECK FUSES AND FUSIBLE LINK

Check that the following fuses and fusible link are not blown:

Terminal No.	Signal name	Fuses and fusible link No.
57	Battery power supply	22 (15A)
70		F (50A)
11	Ignition ACC or ON	4 (10A)
38	Ignition ON or START	59 (10A)

Is the fuse blown?

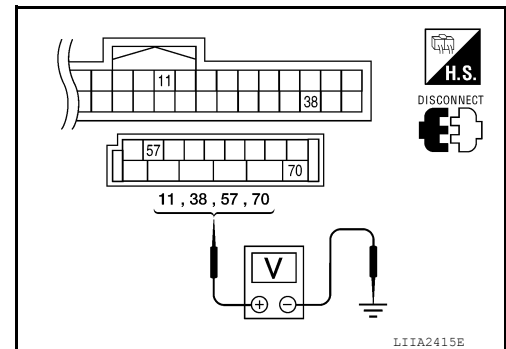
YES >> Replace the blown fuse or fusible link after repairing the affected circuit.

NO >> GO TO 2.

2. CHECK POWER SUPPLY CIRCUIT

1. Turn ignition switch OFF.
2. Disconnect BCM.
3. Check voltage between BCM harness connector and ground.

Connector	Terminals		Power source	Condition	Voltage (V) (Approx.)
	(+)	(-)			
M18	11	Ground	ACC power supply	Ignition switch ACC or ON	Battery voltage
	38	Ground	Ignition power supply	Ignition switch ON or START	Battery voltage
M20	57	Ground	Battery power supply	Ignition switch OFF	Battery voltage
	70	Ground	Battery power supply	Ignition switch OFF	Battery voltage



Is the measurement value normal?

YES >> GO TO 3.

NO >> Repair or replace harness.

3. CHECK GROUND CIRCUIT

POWER SUPPLY AND GROUND CIRCUIT

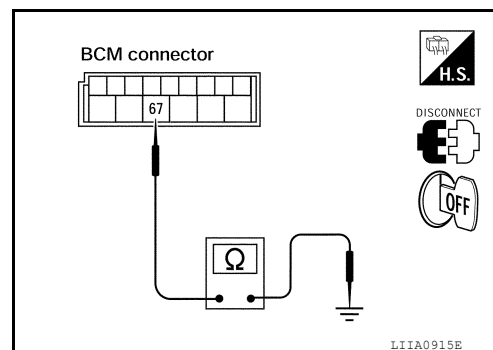
< DTC/CIRCUIT DIAGNOSIS >

Check continuity between BCM harness connector and ground.

BCM		Ground	Continuity
Connector	Terminal		
M20	67		Yes

Does continuity exist?

- YES >> Inspection End.
- NO >> Repair or replace harness.



A
B
C
D
E
F
G
H
I
J
L
M
N
O
P

DLK

DOOR SWITCH

< DTC/CIRCUIT DIAGNOSIS >

DOOR SWITCH

KING CAB

KING CAB : Description

INFOID:000000011560087

Detects door open/close condition.

KING CAB : Component Function Check

INFOID:000000011560088

1.CHECK FUNCTION

With CONSULT

Check door switches in data monitor mode with CONSULT.

Monitor item	Condition
DOOR SW-DR	CLOSE → OPEN: OFF → ON
DOOR SW-AS	

Is the inspection result normal?

YES >> Door switch is OK.

NO >> Refer to [DLK-26. "KING CAB : Diagnosis Procedure"](#).

KING CAB : Diagnosis Procedure

INFOID:000000011560089

Regarding Wiring Diagram information, refer to [DLK-77. "Wiring Diagram - King Cab"](#).

1.CHECK DOOR SWITCHES INPUT SIGNAL

With CONSULT

Check door switches ("DOOR SW-DR", "DOOR SW-AS") in DATA MONITOR mode with CONSULT. Refer to [BCS-19. "DOOR LOCK : CONSULT Function \(BCM - DOOR LOCK\)"](#).

• When doors are open:

DOOR SW-DR :ON

DOOR SW-AS :ON

• When doors are closed:

DOOR SW-DR :OFF

DOOR SW-AS :OFF

Without CONSULT

Check voltage between BCM connector M18 or M19 terminals 12, 47 and ground.

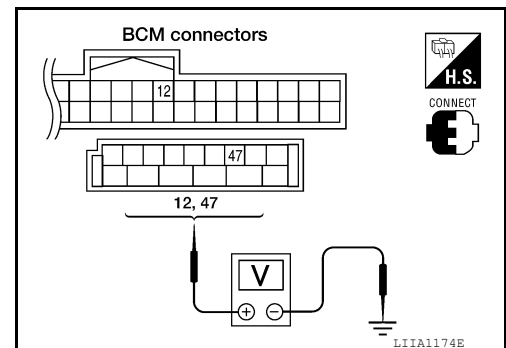
Connector	Item	Terminals		Condition	Voltage (V) (Approx.)
		(+)	(-)		
M19	Door switches LH	47	Ground	Open	0
M18	Door switches RH	12		Closed	Battery voltage

Is the inspection result normal?

YES >> Door switch circuit is OK.

NO >> GO TO 2

2.CHECK DOOR SWITCH CIRCUIT



DOOR SWITCH

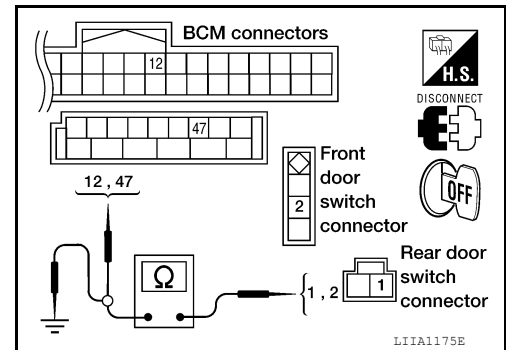
< DTC/CIRCUIT DIAGNOSIS >

1. Turn ignition switch OFF.
2. Disconnect door switch and BCM.
3. Check continuity between door switch connector B8 (Front LH), B108 (Front RH) terminal 2, B73 (Rear upper LH), B156 (Rear upper RH), B74 (Rear lower LH), B157 (Rear lower RH) terminal 1 and BCM connector M18, M19 terminals 12, and 47.

- 2 - 47 :Continuity should exist**
2 - 12 :Continuity should exist
1 - 47 :Continuity should exist
1 - 12 :Continuity should exist

4. Check continuity between door switch connector B8 (Front LH), B108 (Front RH) terminal 2, B73 (Rear upper LH), B156 (Rear upper RH), B74 (Rear lower LH), B157 (Rear lower RH) terminal 1 and ground.

- 2 - Ground :Continuity should not exist**
1 - Ground :Continuity should not exist



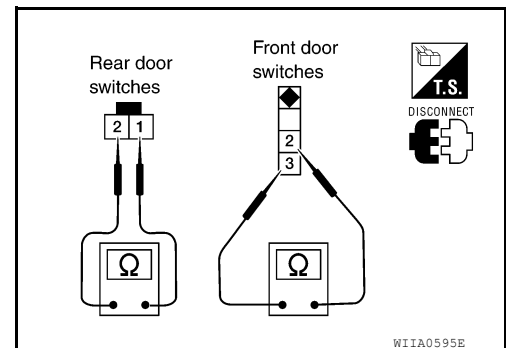
Is the inspection result normal?

- YES >> GO TO 3
 NO >> Repair or replace harness.

3. CHECK DOOR SWITCHES

Check continuity between door switch terminals.

Item	Terminals	Condition	Continuity
Door switches (front)	2 - 3	Open	Yes
		Closed	No
Door switches (rear upper and lower)	1 - 2	Open	Yes
		Closed	No



Is the inspection result normal?

- YES >> Repair or replace harness.
 NO >> Replace door switch.

CREW CAB

CREW CAB : Description

Detects door open/close condition.

CREW CAB : Component Function Check

1. CHECK FUNCTION

With CONSULT

Check door switches in data monitor mode with CONSULT.

Monitor item	Condition
DOOR SW-DR	CLOSE → OPEN: OFF → ON
DOOR SW-AS	
DOOR SW-RL	
DOOR SW-RR	

Is the inspection result normal?

- YES >> Door switch is OK.
 NO >> Refer to [DLK-28, "CREW CAB : Diagnosis Procedure"](#).

DOOR SWITCH

< DTC/CIRCUIT DIAGNOSIS >

CREW CAB : Diagnosis Procedure

INFOID:000000011560092

Regarding Wiring Diagram information, refer to [DLK-85, "Wiring Diagram - Crew Cab"](#).

1. CHECK DOOR SWITCHES INPUT SIGNAL

 With CONSULT


Check door switches ("DOOR SW-DR", "DOOR SW-AS", "DOOR SW-RL", "DOOR SW-RR") in DATA MONITOR mode with CONSULT. Refer to [BCS-19, "DOOR LOCK : CONSULT Function \(BCM - DOOR LOCK\)"](#).

• When doors are open:

DOOR SW-DR :ON
DOOR SW-AS :ON
DOOR SW-RL :ON
DOOR SW-RR :ON

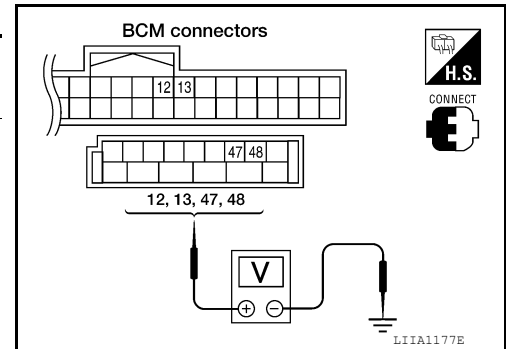
• When doors are closed:

DOOR SW-DR :OFF
DOOR SW-AS :OFF
DOOR SW-RL :OFF
DOOR SW-RR :OFF

 Without CONSULT

Check voltage between BCM connector M18 or M19 terminals 12, 13, 47, 48 and ground.

Connector	Item	Terminals		Condition	Voltage (V) (Approx.)
		(+)	(-)		
M19	Front door switch LH	47	Ground	Open ↓ Closed	0 ↓ Battery voltage
	Rear door switch LH	48			
M18	Front door switch RH	12			
	Rear door switch RH	13			



Is the inspection result normal?

YES >> Door switch circuit is OK.

NO >> GO TO 2

2. CHECK DOOR SWITCH CIRCUIT

1. Turn ignition switch OFF.
2. Disconnect door switch and BCM.
3. Check continuity between door switch connector B8 (Front LH), B108 (Front RH), B18 (Rear LH), B116 (Rear RH) terminal 2 and BCM connector M18, M19 terminals 12, 13, 47 and 48.

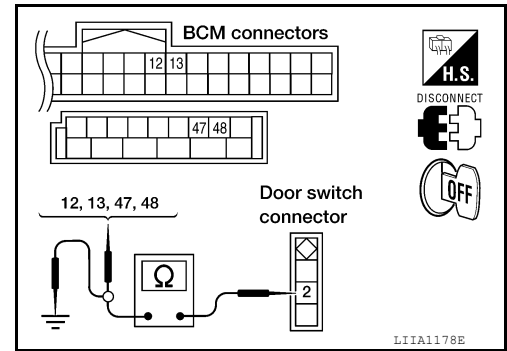
DOOR SWITCH

< DTC/CIRCUIT DIAGNOSIS >

- 2 - 47 :Continuity should exist**
- 2 - 12 :Continuity should exist**
- 2 - 48 :Continuity should exist**
- 2 - 13 :Continuity should exist**

4. Check continuity between door switch connector B8 (Front LH), B108 (Front RH), B18 (Rear LH), B116 (Rear RH) terminal 2 and ground.

- 2 - Ground :Continuity should not exist**



Is the inspection result normal?

- YES >> GO TO 3
- NO >> Repair or replace harness.

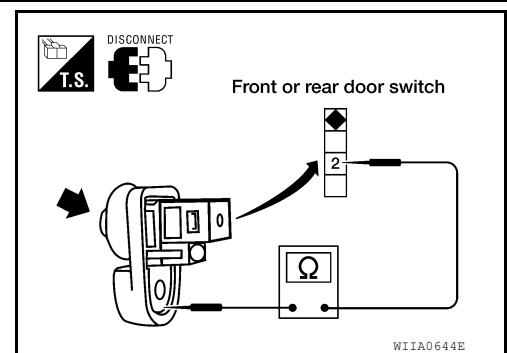
3.CHECK DOOR SWITCHES

Check continuity between door switch terminal 2 and exposed metal of switch while pressing and releasing switch.

	Terminals	Condition	Continuity
Door switch (front and rear)	2 – Ground	Released	Yes
		Pressed	No

Is the inspection result normal?

- YES >> Check door switch case ground condition.
- NO >> Replace door switch.



A
B
C
D
E
F
G
H
I
J
L
M
N
O
P

DLK

DOOR LOCK AND UNLOCK SWITCH

< DTC/CIRCUIT DIAGNOSIS >

DOOR LOCK AND UNLOCK SWITCH KING CAB

KING CAB : Description

INFOID:000000011560093

Transmits door lock/unlock operation to BCM.

KING CAB : Component Function Check

INFOID:000000011560094

1. CHECK FUNCTION

With CONSULT

Check CDL LOCK SW, CDL UNLOCK SW in Data Monitor mode with CONSULT.

Monitor item	Condition
CDL LOCK SW	LOCK : ON
	UNLOCK : OFF
CDL UNLOCK SW	LOCK : OFF
	UNLOCK : ON

Is the inspection result normal?

- YES >> Door lock and unlock switch is OK.
- NO >> refer to [DLK-30, "KING CAB : Diagnosis Procedure"](#).

KING CAB : Diagnosis Procedure

INFOID:000000011560095

Regarding Wiring Diagram information, refer to [DLK-77, "Wiring Diagram - King Cab"](#).

1. CHECK DOOR LOCK/UNLOCK SWITCH INPUT SIGNAL

With CONSULT

Check door lock/unlock switch ("CDL LOCK SW", "CDL UNLOCK SW") in DATA MONITOR mode in CONSULT. Refer to [BCS-19, "DOOR LOCK : CONSULT Function \(BCM - DOOR LOCK\)"](#).

- When door lock/unlock switch is turned to LOCK:

CDL LOCK SW : ON

- When door lock/unlock switch is turned to UNLOCK:

CDL UNLOCK SW : ON

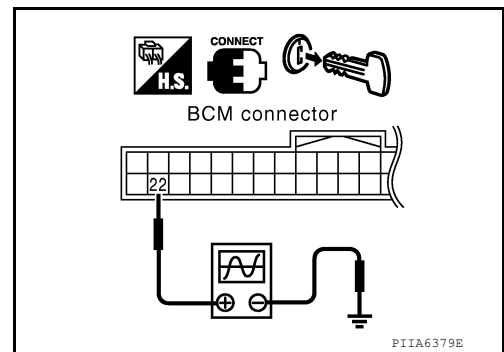
Without CONSULT

1. Remove key from ignition key cylinder.
2. Check the signal between BCM connector M18 terminal 22 and ground with oscilloscope when door lock/unlock switch is turned to LOCK or UNLOCK.
3. Make sure the signals which are shown in the figure below can be detected during 10 seconds just after the door lock/unlock switch is turned to LOCK or UNLOCK.

DOOR LOCK AND UNLOCK SWITCH

< DTC/CIRCUIT DIAGNOSIS >

Connector	Terminals		Signal (Reference value)
	(+)	(-)	
M18	22	Ground	<p>(V) 15 10 5 0 200 ms</p> <p>P11A2344E</p>



Is the inspection result normal?

- YES >> Door lock and unlock switch circuit is OK.
- NO >> GO TO 2

2. CHECK BCM OUTPUT SIGNAL

1. Turn ignition switch OFF.
2. Using the vehicle operational key fob, press and hold the UNLOCK button for more than 3 seconds.

The front windows should be lowered?

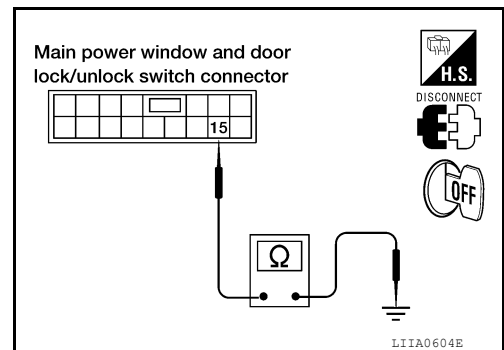
Is the inspection result normal?

- YES >> GO TO 3
- NO >> Replace BCM. Refer to [BCS-56. "Removal and Installation"](#).

3. CHECK DOOR LOCK/UNLOCK SWITCH GROUND HARNESS

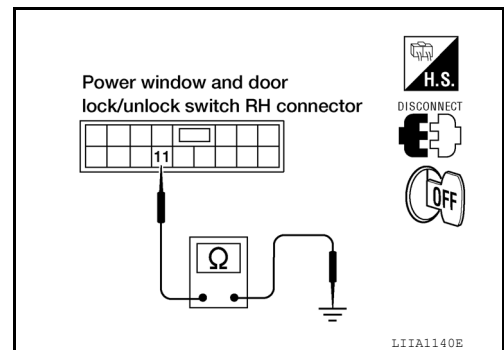
1. Disconnect main power window and door lock/unlock switch or power window and door lock/unlock switch RH.
2. Check continuity between main power window and door lock/unlock switch connector D15 terminal 15 and ground.

15 - Ground : Continuity should exist



3. Check continuity between power window and door lock/unlock switch RH connector D105 terminal 11 and ground.

11 - Ground : Continuity should exist



Is the inspection result normal?

- YES >> GO TO 4
- NO >> Repair or replace harness.

4. CHECK POWER WINDOW SERIAL LINK CIRCUIT

1. Disconnect BCM.

A
B
C
D
E
F
G
H
I
J
K
L
M
N
O
P

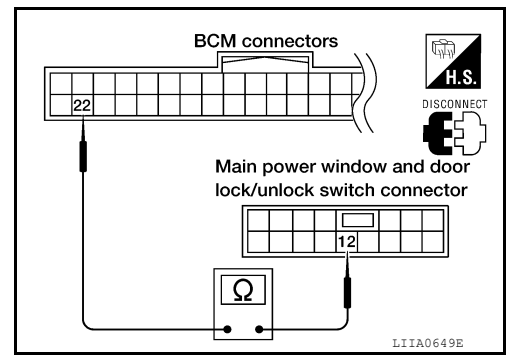
DLK

DOOR LOCK AND UNLOCK SWITCH

< DTC/CIRCUIT DIAGNOSIS >

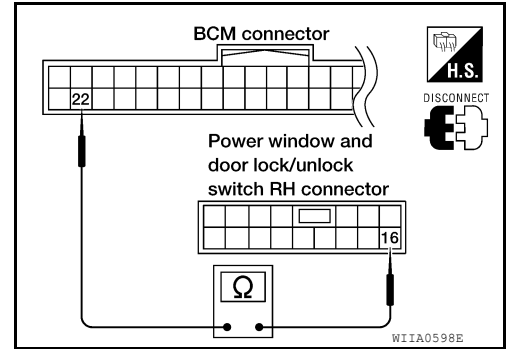
- Check continuity between BCM connector M18 terminal 22 and main power window and door lock/unlock switch connector D15 terminal 12.

22 - 12 : Continuity should exist



- Check continuity between BCM connector M18 terminal 22 and power window and door lock/unlock switch RH connector D105 terminal 16.

22 - 16 : Continuity should exist

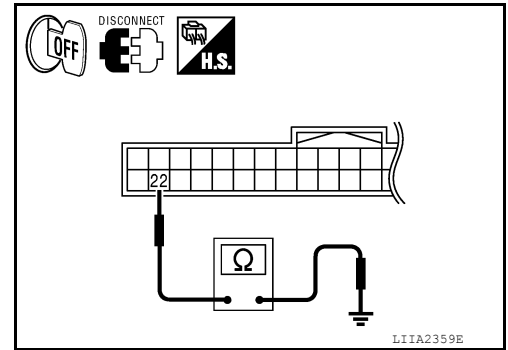


- Check continuity between BCM connector M18 terminal 22 and ground.

22 - Ground : Continuity should not exist

Is the inspection result normal?

- YES >> Replace main power window and door lock/unlock switch or power window and door lock/unlock switch RH.
- NO >> Repair or replace harness.



CREW CAB

CREW CAB : Description

Transmits door lock/unlock operation to BCM.

CREW CAB : Component Function Check

1. CHECK FUNCTION

With CONSULT

Check CDL LOCK SW, CDL UNLOCK SW in Data Monitor mode with CONSULT.

Monitor item	Condition
CDL LOCK SW	LOCK : ON
	UNLOCK : OFF
CDL UNLOCK SW	LOCK : OFF
	UNLOCK : ON

Is the inspection result normal?

- YES >> Door lock and unlock switch is OK.
- NO >> Refer to [DLK-33. "CREW CAB : Diagnosis Procedure"](#).

DOOR LOCK AND UNLOCK SWITCH

< DTC/CIRCUIT DIAGNOSIS >

CREW CAB : Diagnosis Procedure

INFOID:000000011560098

Regarding Wiring Diagram information, refer to [DLK-85, "Wiring Diagram - Crew Cab"](#).

1. CHECK DOOR LOCK/UNLOCK SWITCH INPUT SIGNAL

 With CONSULT

Check door lock/unlock switch ("CDL LOCK SW", "CDL UNLOCK SW") in DATA MONITOR mode in CONSULT. Refer to [BCS-19, "DOOR LOCK : CONSULT Function \(BCM - DOOR LOCK\)"](#).

- When door lock/unlock switch is turned to LOCK:

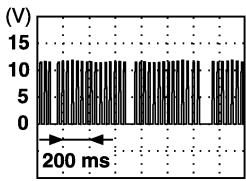
CDL LOCK SW :ON

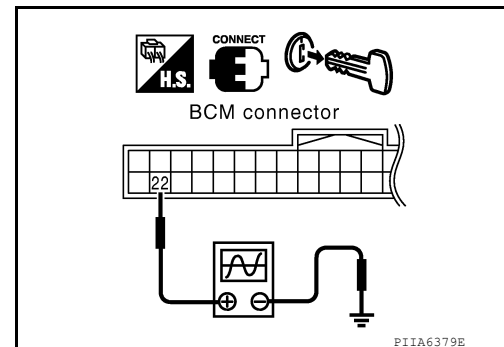
- When door lock/unlock switch is turned to UNLOCK:

CDL UNLOCK SW :ON

 Without CONSULT

1. Remove key from ignition key cylinder.
2. Check the signal between BCM connector M18 terminal 22 and ground with oscilloscope when door lock/unlock switch is turned to LOCK or UNLOCK.
3. Make sure the signals which are shown in the figure below can be detected during 10 seconds just after the door lock/unlock switch is turned to LOCK or UNLOCK.

Connector	Terminals		Signal (Reference value)
	(+)	(-)	
M18	22	Ground	 PIIA2344E



Is the inspection result normal?

- YES >> Door lock and unlock switch circuit is OK.
- NO >> GO TO 2

2. CHECK BCM OUTPUT SIGNAL

1. Turn ignition switch OFF.
2. Using the vehicle operational key fob, press and hold the UNLOCK button for more than 3 seconds.

The front windows should be lowered?

Is the inspection result normal?

- YES >> GO TO 3
- NO >> Replace BCM. Refer to [BCS-56, "Removal and Installation"](#).

3. CHECK DOOR LOCK/UNLOCK SWITCH GROUND HARNESS

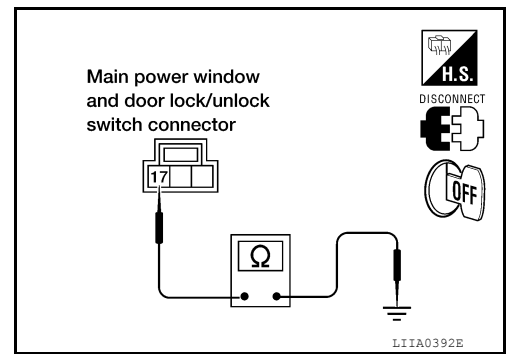
1. Turn ignition switch OFF.
2. Disconnect main power window and door lock/unlock switch or power window and door lock/unlock switch RH.

DOOR LOCK AND UNLOCK SWITCH

< DTC/CIRCUIT DIAGNOSIS >

3. Check continuity between main power window and door lock/unlock switch connector D8 terminal 17 and ground.

17 - Ground : Continuity should exist

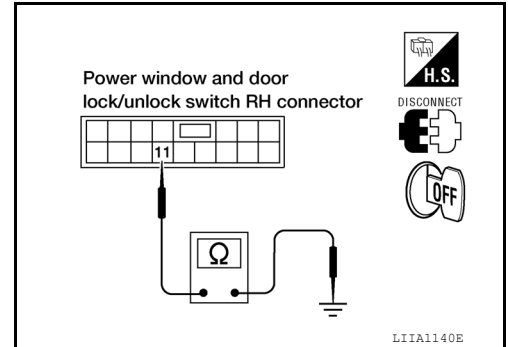


4. Check continuity between power window and door lock/unlock switch RH connector D105 terminal 11 and ground.

11 - Ground : Continuity should exist

Is the inspection result normal?

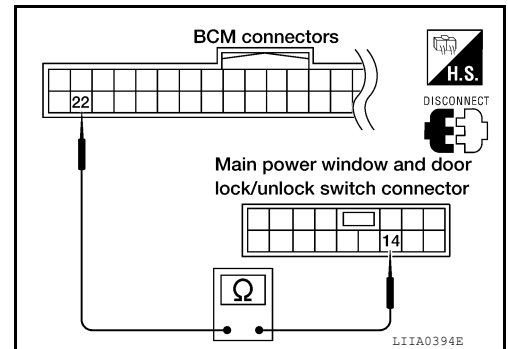
- YES >> GO TO 4
NO >> Repair or replace harness.



4. CHECK POWER WINDOW SERIAL LINK CIRCUIT

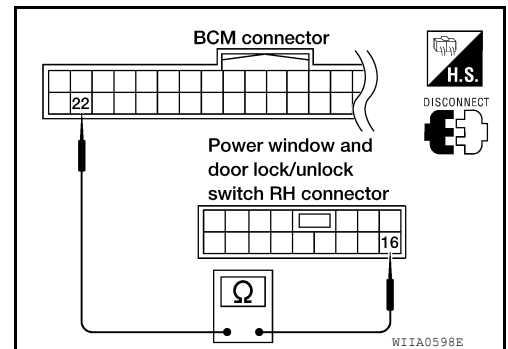
1. Disconnect BCM.
2. Check continuity between BCM connector M18 terminal 22 and main power window and door lock/unlock switch connector D7 terminal 14.

22 - 14 : Continuity should exist



3. Check continuity between BCM connector M18 terminal 22 and power window and door lock/unlock switch RH connector D105 terminal 16.

22 - 16 : Continuity should exist



DOOR LOCK AND UNLOCK SWITCH

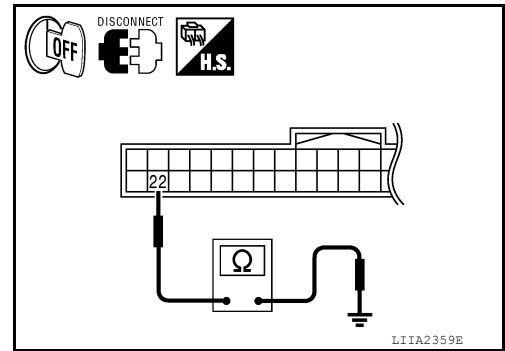
< DTC/CIRCUIT DIAGNOSIS >

4. Check continuity between BCM connector M18 terminal 22 and ground.

22 - Ground : Continuity should not exist

Is the inspection result normal?

- YES >> Replace main power window and door lock/unlock switch or power window and door lock/unlock switch RH.
- NO >> Repair or replace harness.



A
B
C
D
E
F
G
H
I
J
L
M
N
O
P

DLK

FRONT DOOR LOCK ASSEMBLY LH (KEY CYLINDER SWITCH)

< DTC/CIRCUIT DIAGNOSIS >

FRONT DOOR LOCK ASSEMBLY LH (KEY CYLINDER SWITCH)

KING CAB

KING CAB : Description

INFOID:0000000011560099

The main power window and door lock/unlock switch detects condition of the door key cylinder switch and transmits to BCM as the LOCK or UNLOCK signal.

KING CAB : Component Function Check

INFOID:0000000011560100

1.CHECK DOOR KEY CYLINDER SWITCH INPUT SIGNAL

Check "KEY CYL LK-SW" AND "KEY CYL UN-SW" in DATA MONITOR mode for "POWER DOOR LOCK SYSTEM" with CONSULT.

Monitor item	Condition
KEY CYL LK-SW	Lock : ON
	Neutral / Unlock : OFF
KEY CYL UN-SW	Unlock : ON
	Neutral / Lock : OFF

Is the inspection result normal?

- YES >> Key cylinder switch is OK.
- NO >> Refer to [DLK-36, "KING CAB : Diagnosis Procedure"](#).

KING CAB : Diagnosis Procedure

INFOID:0000000011560101

Regarding Wiring Diagram information, refer to [DLK-77, "Wiring Diagram - King Cab"](#).

1.CHECK DOOR KEY CYLINDER SWITCH LH

④ With CONSULT

Check front door lock assembly LH (key cylinder switch) ("KEY CYL LK-SW") and ("KEY CYL UN-SW) in DATA MONITOR mode with CONSULT. Refer to [BCS-19, "DOOR LOCK : CONSULT Function \(BCM - DOOR LOCK\)"](#).

- When key inserted in front key cylinder is turned to LOCK:

KEY CYL LK-SW : ON

- When key inserted in front key cylinder is turned to UNLOCK:

KEY CYL UN-SW : ON

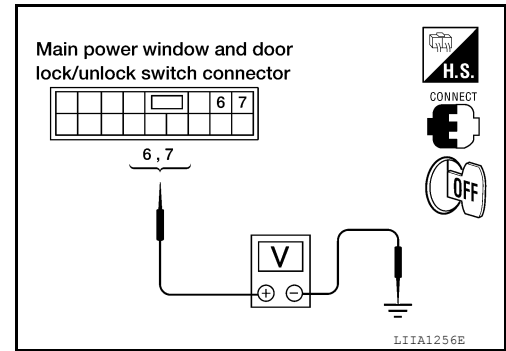
⊗ Without CONSULT

Check voltage between main power window and door lock/unlock switch connector D15 terminals 6, 7 and ground.

FRONT DOOR LOCK ASSEMBLY LH (KEY CYLINDER SWITCH)

< DTC/CIRCUIT DIAGNOSIS >

Connector	Terminals		Condition	Voltage (V) (Approx.)
	(+)	(-)		
D15	6	Ground	Neutral/Unlock	5
			Lock	0
	7		Neutral/Lock	5
			Unlock	0



Is the inspection result normal?

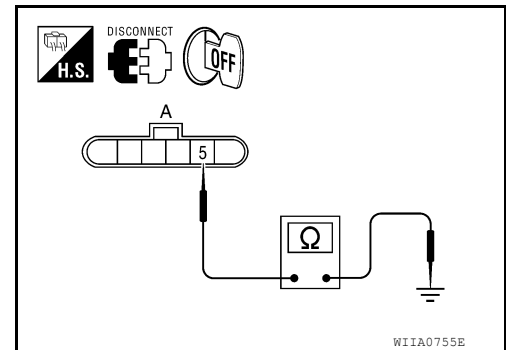
YES >> Front door lock assembly LH (key cylinder switch) signal is OK.

NO >> GO TO 2

2. CHECK DOOR KEY CYLINDER SWITCH LH GROUND HARNESS

1. Turn ignition switch OFF.
2. Disconnect front door lock assembly LH (key cylinder switch).
3. Check continuity between front door lock assembly LH (key cylinder switch) connector D14 terminal 5 and body ground.

Connector	Terminals	Continuity
D14	5 – Ground	Yes



Is the inspection result normal?

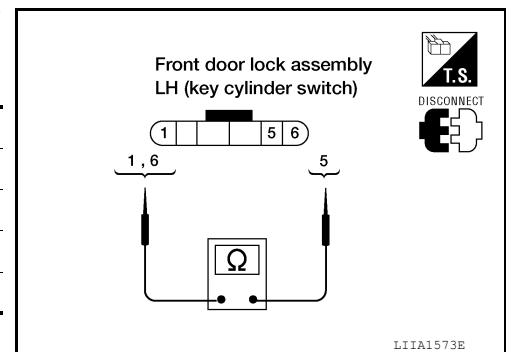
YES >> GO TO 3

NO >> Repair or replace harness.

3. CHECK DOOR KEY CYLINDER SWITCH LH

Check continuity between front door lock assembly LH (key cylinder switch) terminals.

Terminals	Condition	Continuity
1 – 5	Key is turned to UNLOCK or neutral.	No
	Key is turned to LOCK.	Yes
5 – 6	Key is turned to LOCK or neutral.	No
	Key is turned to UNLOCK.	Yes



Is the inspection result normal?

YES >> GO TO 4

NO >> Replace front door lock assembly LH (key cylinder switch). Refer to [DLK-130, "Removal and Installation"](#).

4. CHECK DOOR KEY CYLINDER HARNESS

1. Disconnect main power window and door lock/unlock switch.

A
B
C
D
E
F
G
H
I
J
L
M
N
O
P

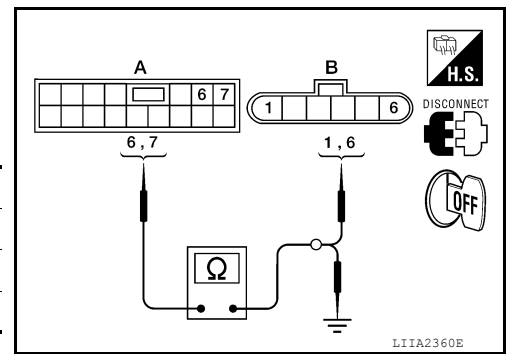
DLK

FRONT DOOR LOCK ASSEMBLY LH (KEY CYLINDER SWITCH)

< DTC/CIRCUIT DIAGNOSIS >

- Check continuity between main power window and door lock/unlock switch connector (A) D15 terminals 6, 7 and front door lock assembly LH (key cylinder switch) connector (B) D14 terminals 1, 6 and body ground.

Connector	Terminals	Connector	Terminals	Continuity
A: D15	6	B: D14	1	Yes
	7		6	Yes
	6, 7	Ground		No



Is the inspection result normal?

YES >> Replace main power window and door lock/unlock switch.

NO >> Repair or replace harness.

CREW CAB

CREW CAB : Description

INFOID:000000011560102

The main power window and door lock/unlock switch detects condition of the door key cylinder switch and transmits to BCM as the LOCK or UNLOCK signal.

CREW CAB : Component Function Check

INFOID:000000011560103

1. CHECK DOOR KEY CYLINDER SWITCH INPUT SIGNAL

Check "KEY CYL LK-SW" AND "KEY CYL UN-SW" in DATA MONITOR mode for "POWER DOOR LOCK SYSTEM" with CONSULT.

Monitor item	Condition
KEY CYL LK-SW	Lock : ON
	Neutral / Unlock : OFF
KEY CYL UN-SW	Unlock : ON
	Neutral / Lock : OFF

Is the inspection result normal?

YES >> Key cylinder switch is OK.

NO >> Refer to [DLK-38, "CREW CAB : Diagnosis Procedure"](#).

CREW CAB : Diagnosis Procedure

INFOID:000000011560104

Regarding Wiring Diagram information, refer to [DLK-85, "Wiring Diagram - Crew Cab"](#).

1. CHECK DOOR KEY CYLINDER SWITCH LH

Ⓟ With CONSULT

Check front door lock assembly LH (key cylinder switch) ("KEY CYL LK-SW") and ("KEY CYL UN-SW") in DATA MONITOR mode with CONSULT. Refer to [BCS-19, "DOOR LOCK : CONSULT Function \(BCM - DOOR LOCK\)"](#).

- When key inserted in front key cylinder is turned to LOCK:

KEY CYL LK-SW : ON

- When key inserted in front key cylinder is turned to UNLOCK:

KEY CYL UN-SW : ON

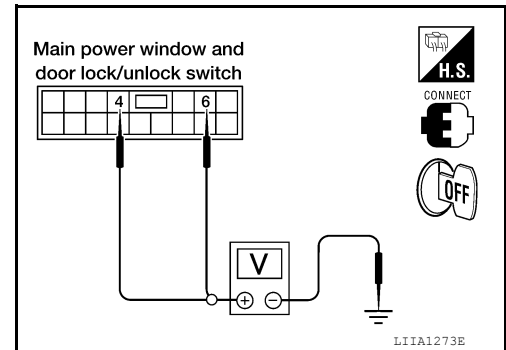
FRONT DOOR LOCK ASSEMBLY LH (KEY CYLINDER SWITCH)

< DTC/CIRCUIT DIAGNOSIS >

⊗ Without CONSULT

Check voltage between main power window and door lock/unlock switch connector D7 terminals 4, 6 and ground.

Connector	Terminals		Condition	Voltage (V) (Approx.)
	(+)	(-)		
D7	4	Ground	Neutral/Unlock	5
			Lock	0
	6		Neutral/Lock	5
			Unlock	0



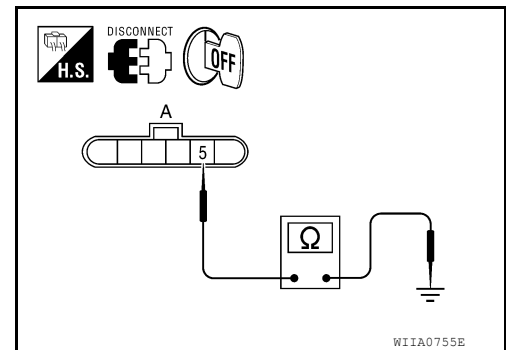
Is the inspection result normal?

- YES >> Front door lock assembly LH (key cylinder switch) signal is OK.
- NO >> GO TO 2

2. CHECK DOOR KEY CYLINDER SWITCH LH GROUND HARNESS

1. Turn ignition switch OFF.
2. Disconnect front door lock assembly LH (key cylinder switch).
3. Check continuity between front door lock assembly LH (key cylinder switch) connector D14 terminal 5 and body ground.

Connector	Terminals	Continuity
D14	5 – Ground	Yes



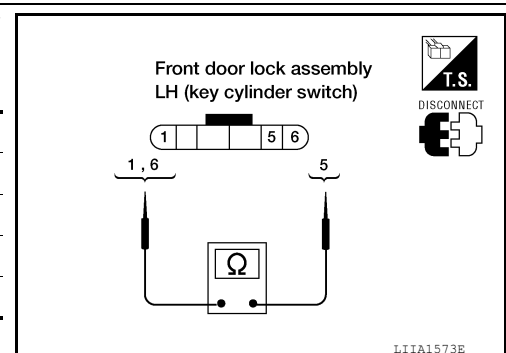
Is the inspection result normal?

- YES >> GO TO 3
- NO >> Repair or replace harness.

3. CHECK DOOR KEY CYLINDER SWITCH LH

Check continuity between front door lock assembly LH (key cylinder switch) terminals.

Terminals	Condition	Continuity
1 – 5	Key is turned to UNLOCK or neutral.	No
	Key is turned to LOCK.	Yes
5 – 6	Key is turned to LOCK or neutral.	No
	Key is turned to UNLOCK.	Yes



Is the inspection result normal?

- YES >> GO TO 4
- NO >> Replace front door lock assembly LH (key cylinder switch). Refer to [DLK-130. "Removal and Installation"](#).

4. CHECK DOOR KEY CYLINDER HARNESS

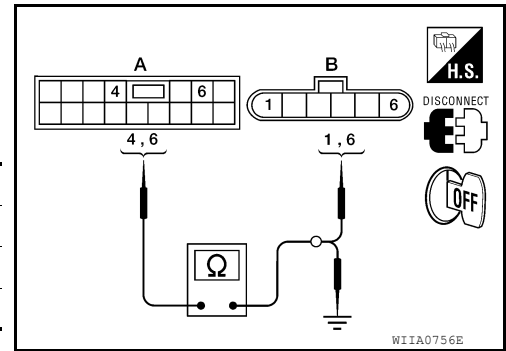
1. Disconnect main power window and door lock/unlock switch.

FRONT DOOR LOCK ASSEMBLY LH (KEY CYLINDER SWITCH)

< DTC/CIRCUIT DIAGNOSIS >

2. Check continuity between main power window and door lock/unlock switch connector (A) D7 terminals 4, 6 and front door lock assembly LH (key cylinder switch) connector (B) D14 terminals 1, 6 and body ground.

Connector	Terminals	Connector	Terminals	Continuity
A: D7	4	B: D14	1	Yes
	6		6	Yes
	4, 6	Ground		No



Is the inspection result normal?

YES >> Replace main power window and door lock/unlock switch.

NO >> Repair or replace harness.

KEY SWITCH (BCM INPUT)

< DTC/CIRCUIT DIAGNOSIS >

KEY SWITCH (BCM INPUT) COLUMN SHIFT

COLUMN SHIFT : Diagnosis Procedure

INFOID:000000011560105

Regarding Wiring Diagram information, refer to [DLK-77. "Wiring Diagram - King Cab"](#) or [DLK-85. "Wiring Diagram - Crew Cab"](#).

1. CHECK KEY SWITCH INPUT SIGNAL

With CONSULT

Check key switch "KEY ON SW" in DATA MONITOR mode with CONSULT. Refer to [BCS-19. "DOOR LOCK : CONSULT Function \(BCM - DOOR LOCK\)"](#).

- When key is inserted to ignition key cylinder:

KEY ON SW : ON

- When key is removed from ignition key cylinder:

KEY ON SW : OFF

Without CONSULT

Check voltage between BCM connector M18 terminal 37 and ground.

Connector	Terminals		Condition	Voltage (V)
	(+)	(-)		
M18	37	Ground	Key is inserted.	Battery voltage
			Key is removed.	0

Is the inspection result normal?

YES >> Key switch circuit is OK.

NO >> GO TO 2

2. CHECK KEY SWITCH

- Turn ignition switch OFF.
- Disconnect key switch connector.
- Check continuity between key switch terminals 3 and 4.

Terminals	Condition	Continuity
3 - 4	Key is inserted.	Yes
	Key is removed.	No

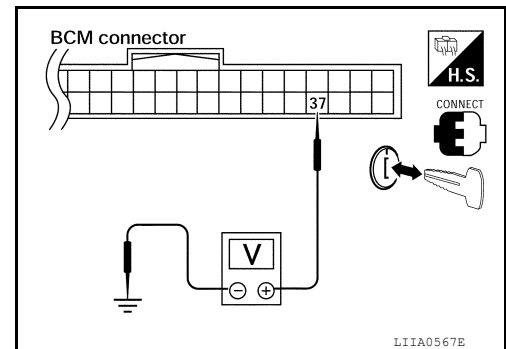
Is the inspection result normal?

YES >> GO TO 3

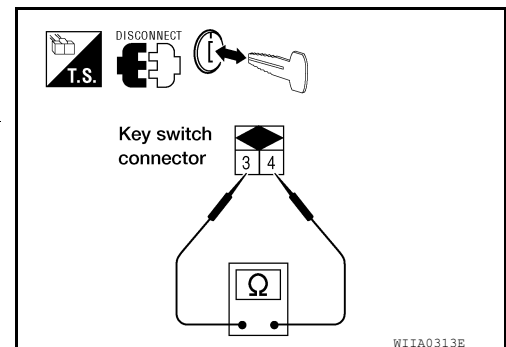
NO >> Replace key switch.

3. CHECK KEY SWITCH CIRCUIT

- Disconnect BCM connector.



DLK



KEY SWITCH (BCM INPUT)

< DTC/CIRCUIT DIAGNOSIS >

- Check continuity between the BCM harness connector M18 terminal 37 and key switch harness connector M80 terminal 4.
- Check continuity between BCM harness connector M18 terminal 37 and ground.

37 - 4 : Continuity should exist
37 - Ground : Continuity should not exist

Is the inspection result normal?

YES >> Check the following:

- 10A fuse [No. 3, located in fuse block (J/B)]
- Harness for open or short between key switch and fuse

NO >> Repair or replace harness.

FLOOR SHIFT

FLOOR SHIFT : Diagnosis Procedure

INFOID:000000011560106

Regarding Wiring Diagram information, refer to [DLK-77, "Wiring Diagram - King Cab"](#) or [DLK-85, "Wiring Diagram - Crew Cab"](#).

1. CHECK KEY SWITCH AND KEY LOCK SOLENOID (KEY SWITCH) INPUT SIGNAL

 With CONSULT


Check key switch "KEY ON SW" in DATA MONITOR mode with CONSULT. Refer to [BCS-19, "DOOR LOCK : CONSULT Function \(BCM - DOOR LOCK\)"](#).

- When key is inserted to ignition key cylinder:

KEY ON SW : ON

- When key is removed from ignition key cylinder:

KEY ON SW : OFF

 Without CONSULT

Check voltage between BCM connector M18 terminal 37 and ground.

Connector	Terminals		Condition	Voltage (V)
	(+)	(-)		
M18	37	Ground	Key is inserted.	Battery voltage
			Key is removed.	0

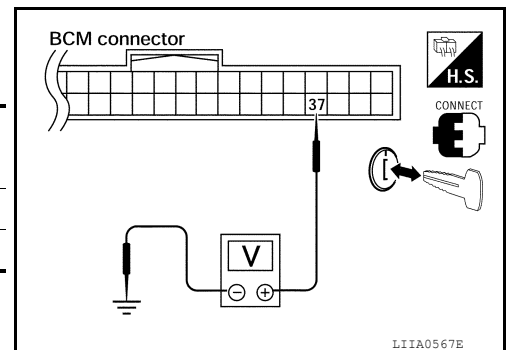
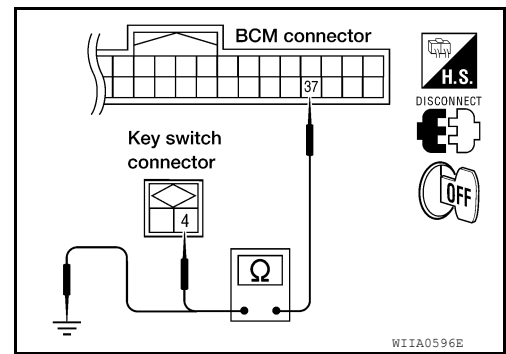
Is the inspection result normal?

YES >> Key switch and key lock solenoid (key switch) circuit is OK.

NO >> GO TO 2

2. CHECK KEY SWITCH AND KEY LOCK SOLENOID (KEY SWITCH)

- Turn ignition switch OFF.
- Disconnect key switch and key lock solenoid (key switch) connector.
- Check continuity between key switch and key lock solenoid (key switch) terminals 3 and 4.



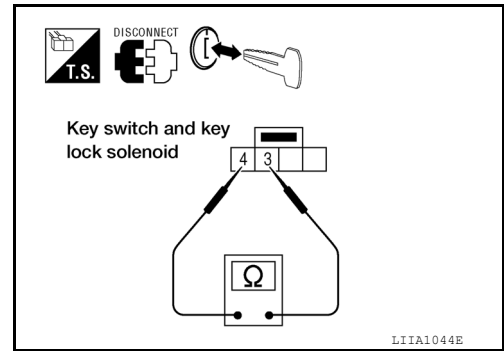
KEY SWITCH (BCM INPUT)

< DTC/CIRCUIT DIAGNOSIS >

Terminals	Condition	Continuity
3 - 4	Key is inserted.	Yes
	Key is removed.	No

Is the inspection result normal?

- YES >> GO TO 3
 NO >> Replace key switch and key lock solenoid (key switch).



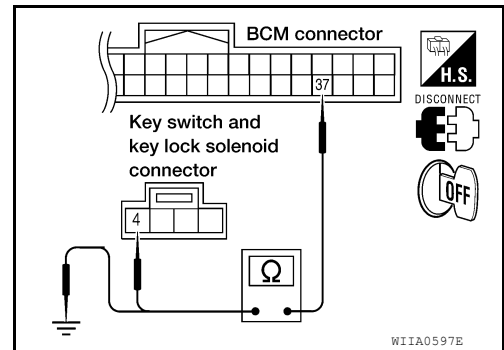
3. CHECK KEY SWITCH AND KEY LOCK SOLENOID (KEY SWITCH) CIRCUIT

1. Disconnect BCM connector.
2. Check continuity between the BCM harness connector M18 terminal 37 and key switch and key lock solenoid (key switch) harness connector M27 terminal 4.
3. Check continuity between BCM harness connector M18 terminal 37 and ground.

- 37 - 4 : Continuity should exist**
37 - Ground : Continuity should not exist

Is the inspection result normal?

- YES >> Check the following:
- 10A fuse [No. 3, located in fuse block (J/B)]
 - Harness for open or short between key switch and key lock solenoid (key switch) and fuse
- NO >> Repair or replace harness.



A
B
C
D
E
F
G
H
I
J
L
M
N
O
P

DLK

DOOR LOCK ACTUATOR

< DTC/CIRCUIT DIAGNOSIS >

DOOR LOCK ACTUATOR FRONT LH

FRONT LH : Description

INFOID:000000011560107

Locks/unlocks the door with the signal from BCM.

FRONT LH : Component Function Check

INFOID:000000011560108

1. CHECK FUNCTION

1. Use CONSULT to perform Active Test "DOOR LOCK".
2. Touch "ALL LCK" or "ALL ULK" to check that it works normally.

Is the inspection result normal?

- YES >> Door lock actuator is OK.
NO >> Refer to [DLK-44, "FRONT LH : Diagnosis Procedure"](#).

FRONT LH : Diagnosis Procedure

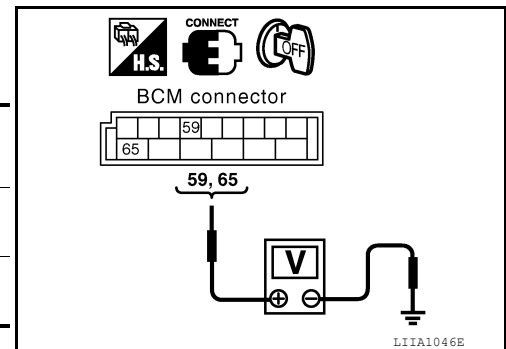
INFOID:000000011560109

Regarding Wiring Diagram information, refer to [DLK-77, "Wiring Diagram - King Cab"](#) or [DLK-85, "Wiring Diagram - Crew Cab"](#).

1. CHECK DOOR LOCK ACTUATOR SIGNAL

Check voltage between BCM connector M20 terminals 59, 65 and ground.

Connector	Terminals		Condition	Voltage (V) (Approx.)
	(+)	(-)		
M20	59	Ground	Driver door lock/unlock switch is turned to UNLOCK	0 → Battery voltage
	65		Driver door lock/unlock switch is turned to LOCK	0 → Battery voltage



Is the inspection result normal?

- YES >> GO TO 2
NO >> Replace BCM. Refer to [BCS-56, "Removal and Installation"](#).

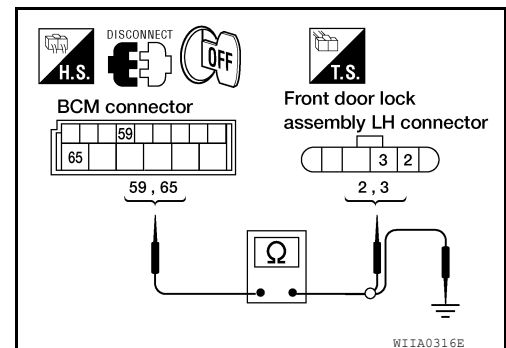
2. CHECK DOOR LOCK ACTUATOR HARNESS

1. Disconnect BCM and front door lock assembly LH.
2. Check continuity between BCM connector M20 terminals 59, 65 and front door lock assembly LH connector D14 terminals 2, 3.

Connector	Terminals	Connector	Terminals	Continuity
M20	59	D14	2	Yes
	65		3	Yes

3. Check continuity between BCM connector M20 terminals 59, 65 and ground.

Connector	Terminals	Continuity
M20	59	No
	65	No



Is the inspection result normal?

DOOR LOCK ACTUATOR

< DTC/CIRCUIT DIAGNOSIS >

- YES >> Replace front door lock assembly LH. Refer to [DLK-130, "Removal and Installation"](#).
 NO >> Repair or replace harness.

FRONT RH

FRONT RH : Description

INFOID:000000011560110

Locks/unlocks the door with the signal from BCM.

FRONT RH : Component Function Check

INFOID:000000011560111

1. CHECK FUNCTION

1. Use CONSULT to perform Active Test DOOR LOCK.
2. Touch "ALL LCK" or "ALL ULK" to check that it works normally.

Is the inspection result normal?

- YES >> Door lock actuator is OK.
 NO >> Refer to [DLK-45, "FRONT RH : Diagnosis Procedure"](#).

FRONT RH : Diagnosis Procedure

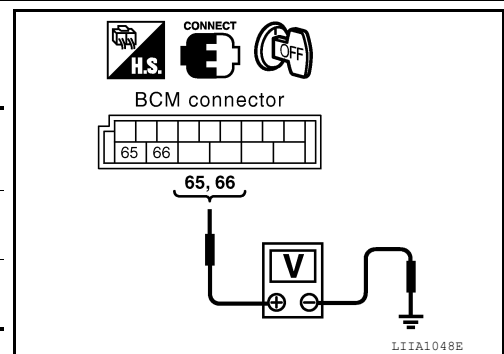
INFOID:000000011560112

Regarding Wiring Diagram information, refer to [DLK-77, "Wiring Diagram - King Cab"](#) or [DLK-85, "Wiring Diagram - Crew Cab"](#).

1. CHECK DOOR LOCK ACTUATOR SIGNAL

Check voltage between BCM connector M20 terminals 65, 66 and ground.

Connector	Terminals		Condition	Voltage (V) (Approx.)
	(+)	(-)		
M20	65	Ground	Door lock/unlock switch is turned to LOCK	0 → Battery voltage
	66		Door lock/unlock switch is turned to UNLOCK	0 → Battery voltage



Is the inspection result normal?

- YES >> GO TO 2
 NO >> Replace BCM. Refer to [BCS-56, "Removal and Installation"](#).

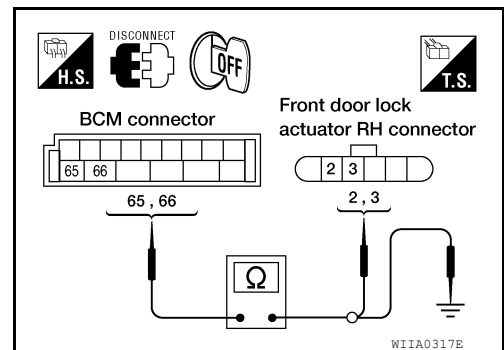
2. CHECK DOOR LOCK ACTUATOR HARNESS

1. Disconnect BCM and door lock actuator RH.
2. Check continuity between BCM connector M20 terminals 65, 66 and front door lock actuator RH terminals 2, 3.

Terminals	Continuity
65 3	Yes
66 2	Yes

3. Check continuity between BCM connector M20 terminals 65, 66 and ground.

Terminals	Continuity
65 Ground	No
66 Ground	No



Is the inspection result normal?

DOOR LOCK ACTUATOR

< DTC/CIRCUIT DIAGNOSIS >

YES >> Replace front door lock actuator RH. Refer to [DLK-130, "Removal and Installation"](#).

NO >> Repair or replace harness.

REAR RH/LH

REAR RH/LH : Description

INFOID:000000011560113

Locks/unlocks the door with the signal from BCM.

REAR RH/LH : Component Function Check

INFOID:000000011560114

1.CHECK FUNCTION

1. Use CONSULT to perform Active Test "DOOR LOCK".
2. Touch "ALL LCK" or "ALL ULK" to check that it works normally.

Is the inspection result normal?

YES >> Door lock actuator is OK.

NO >> Refer to [DLK-46, "REAR RH/LH : Diagnosis Procedure"](#).

REAR RH/LH : Diagnosis Procedure

INFOID:000000011560115

Regarding Wiring Diagram information, refer to [DLK-85, "Wiring Diagram - Crew Cab"](#).

1.CHECK DOOR LOCK ACTUATOR SIGNAL

Check voltage between BCM connector M20 terminals 65, 66 and ground.

Connector	Terminals		Condition	Voltage (V) (Approx.)
	(+)	(-)		
M20	65	Ground	Door lock/unlock switch is turned to LOCK	0 → Battery voltage
	66		Door lock/unlock switch is turned to UNLOCK	0 → Battery voltage

Is the inspection result normal?

YES >> GO TO 2

NO >> Replace BCM. Refer to [BCS-56, "Removal and Installation"](#).

2.CHECK DOOR LOCK ACTUATOR HARNESS

1. Disconnect BCM and inoperative door lock actuator.
2. Check continuity between BCM connector M20 terminals 65, 66 and rear door lock actuator connector terminals 2, 3.

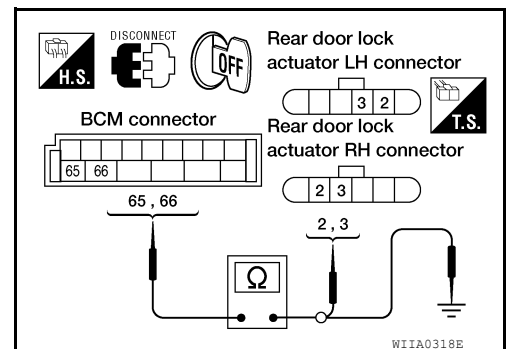
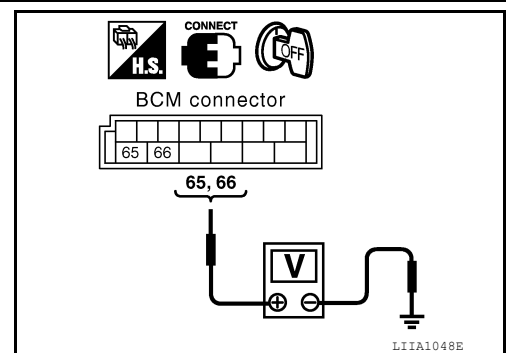
Terminals		Continuity
65	3	Yes
66	2	Yes

3. Check continuity between BCM connector M20 terminals 65, 66 and ground.

Terminals		Continuity
65	Ground	No
66		No

Is the inspection result normal?

YES >> Replace door lock actuator. Refer to [DLK-134, "Removal and Installation"](#).



DOOR LOCK ACTUATOR

< DTC/CIRCUIT DIAGNOSIS >

NO >> Repair or replace harness.

A

B

C

D

E

F

G

H

I

J

DLK

L

M

N

O

P

REMOTE KEYLESS ENTRY RECEIVER

< DTC/CIRCUIT DIAGNOSIS >

REMOTE KEYLESS ENTRY RECEIVER

Description

INFOID:000000011560116

Receives keyfob operation and transmits to BCM.

Component Function Check

INFOID:000000011560117

1. CHECK FUNCTION

With CONSULT

Check remote keyless entry receiver by pressing the keyfob lock and unlock buttons then monitoring KEYLESS LOCK, KEYLESS UNLOCK in Data Monitor mode with CONSULT.

Monitor item	Condition
KEYLESS LOCK	LOCK : ON
	UNLOCK : OFF
KEYLESS UNLOCK	LOCK : OFF
	UNLOCK : ON

Is the inspection result normal?

- YES >> Remote keyless entry receiver is OK.
 NO >> Refer to [DLK-48, "Diagnosis Procedure"](#).

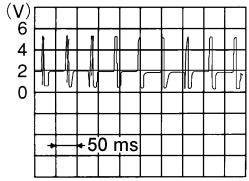
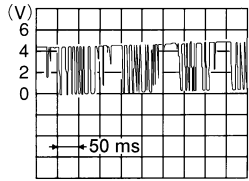
Diagnosis Procedure

INFOID:000000011560118

Regarding Wiring Diagram information, refer to [DLK-96, "Wiring Diagram"](#).

1. CHECK REMOTE KEYLESS ENTRY RECEIVER OUTPUT SIGNAL

- Turn ignition switch OFF.
- Check signal between remote keyless entry receiver connector and ground with oscilloscope.

Terminals		(-)	Condition	Signal (Reference value)
(+)	Terminal			
Remote keyless entry receiver connector				
M120	2	Ground	Waiting (All doors closed)	 <p>LI1A1894E</p>
			When signal is received (All doors closed)	 <p>LI1A1895E</p>

Is the inspection result normal?

- YES >> GO TO 7.

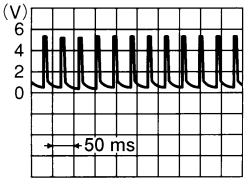
REMOTE KEYLESS ENTRY RECEIVER

< DTC/CIRCUIT DIAGNOSIS >

NO >> GO TO 2.

2. CHECK REMOTE KEYLESS ENTRY RECEIVER POWER SUPPLY

1. Disconnect remote keyless entry receiver connector.
2. Check signal between remote keyless entry receiver connector and ground with oscilloscope.

Terminals		(-)	Signal (Reference value)
(+) Remote keyless entry receiver connector			
Terminal			
M120	4	Ground	 <p style="text-align: right; font-size: small;">LIT1A1893E</p>

Is the inspection result normal?

- YES >> GO TO 4
 NO >> GO TO 3

3. CHECK REMOTE KEYLESS ENTRY RECEIVER CIRCUIT 1

1. Disconnect BCM connector.
2. Check continuity between BCM connector and remote keyless entry receiver connector.

BCM connector	Terminal	Remote keyless entry receiver connector	Terminal	Continuity
M18	19	M120	4	Yes

3. Check continuity between BCM connector and ground.

BCM connector	Terminal	Ground	Continuity
M18	19		No

Is the inspection result normal?

- YES >> Reconnect BCM, GO TO 4.
 NO >> Repair or replace harness between BCM and remote keyless entry receiver.

4. CHECK REMOTE KEYLESS ENTRY RECEIVER GROUND CIRCUIT

Check continuity between remote keyless entry receiver connector and ground.

Remote keyless entry receiver connector	Terminal	Ground	Continuity
M120	1		Yes

Is the inspection result normal?

- YES >> GO TO 6.
 NO >> GO TO 5.

5. CHECK REMOTE KEYLESS ENTRY RECEIVER CIRCUIT 2

Check continuity between BCM connector and remote keyless entry receiver connector.

A
B
C
D
E
F
G
H
I
J
L
M
N
O
P

DLK

REMOTE KEYLESS ENTRY RECEIVER

< DTC/CIRCUIT DIAGNOSIS >

BCM connector	Terminal	Remote keyless entry receiver connector	Terminal	Continuity
M18	18	M120	1	Yes

Is the inspection result normal?

YES >> GO TO 7.

NO >> Repair or replace harness between BCM and remote keyless entry receiver.

6. CHECK REMOTE KEYLESS ENTRY RECEIVER CIRCUIT 3

1. Check continuity between BCM connector and remote keyless entry receiver connector.

BCM connector	Terminal	Remote keyless entry receiver connector	Terminal	Continuity
M18	20	M120	2	Yes

2. Check continuity between BCM connector and ground.

BCM connector	Terminal	Ground	Continuity
M18	20		No

Is the inspection result normal?

YES >> GO TO 7.

NO >> Repair or replace harness between BCM and remote keyless entry.

7. CHECK INTERMITTENT INCIDENT

Refer to [GI-44, "Intermittent Incident"](#).

>> Inspection End.

KEYFOB BATTERY AND FUNCTION

< DTC/CIRCUIT DIAGNOSIS >

KEYFOB BATTERY AND FUNCTION

Description

INFOID:0000000011560119

The following functions are available when having and carrying electronic ID.

- Door lock/unlock
- Panic alarm

Remote control entry function and panic alarm function are available when operating the remote buttons.

Component Function Check

INFOID:0000000011560120

NOTE:

The Signal Tech II [- (J-50190)] can be used to test the remote keyless entry keyfob relative signal strength. Refer to the Signal Tech II User Guide for additional information.

1.CHECK FUNCTION

With CONSULT

Check keyfob by pressing the keyfob lock and unlock buttons then monitoring KEYLESS LOCK, KEYLESS UNLOCK in Data Monitor mode with CONSULT.

Monitor item	Condition
KEYLESS LOCK	LOCK : ON
	UNLOCK : OFF
KEYLESS UNLOCK	LOCK : OFF
	UNLOCK : ON

Is the inspection result normal?

YES >> Keyfob is OK.

NO >> Refer to [DLK-51, "Diagnosis Procedure"](#).

Diagnosis Procedure

INFOID:0000000011560121

NOTE:

The Signal Tech II [- (J-50190)] can be used to test the remote keyless entry keyfob relative signal strength. Refer to the Signal Tech II User Guide for additional information.

1.CHECK KEYFOB BATTERY

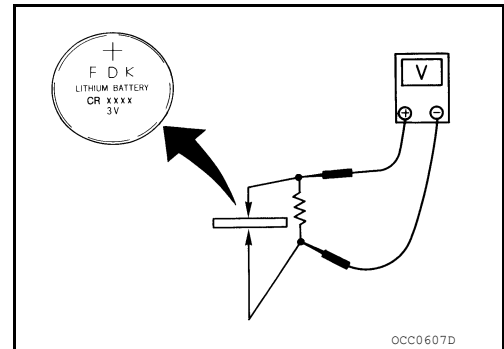
Check by connecting a resistance (approximately 300Ω) so that the current value becomes about 10 mA.

Standard : Approx. 2.5 - 3.0V

Is the measurement value within specification?

YES >> GO TO 2

NO >> Replace Keyfob battery.



2.CHECK KEYFOB FUNCTION

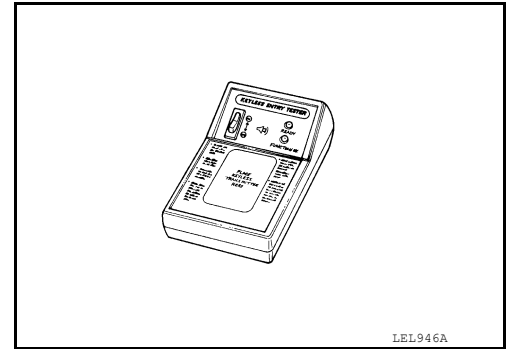
KEYFOB BATTERY AND FUNCTION

< DTC/CIRCUIT DIAGNOSIS >

Check keyfob function using Signal Tech II Tool [- (J-50190)] or Remote Keyless Entry Tester J-43241 (shown).

Does the test pass?

- YES >> Keyfob is OK.
NO >> Replace keyfob. Then, perform keyfob ID set up. Refer to [DLK-59. "ID Code Entry Procedure"](#) (with CONSULT) or [DLK-60. "ID Code Entry Procedure"](#) (without CONSULT).



Component Inspection

INFOID:000000011560122

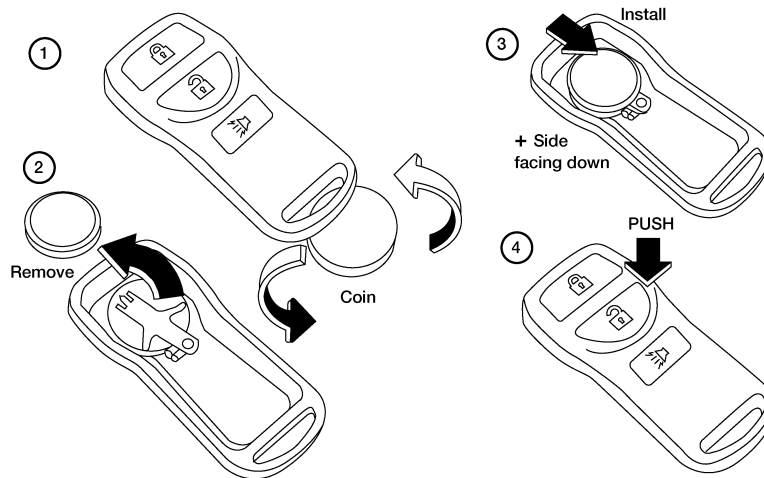
NOTE:

The Signal Tech II [- (J-50190)] can be used to test the remote keyless entry keyfob relative signal strength. Refer to the Signal Tech II User Guide for additional information.

1. REPLACE KEYFOB BATTERY

NOTE:

- Be careful not to touch the circuit board or battery terminal.
 - The keyfob is water-resistant. However, if it does get wet, immediately wipe it dry.
1. Open the lid using a coin.
 2. Remove the battery.
 3. Install the new battery, positive side down.
 4. Close the lid securely. Push the keyfob buttons two or three times to check operation.



L1IA1514E

Check keyfob operation after replacing the battery.

Is the inspection result normal?

- YES >> Keyfob is OK.
NO >> Check remote keyless entry receiver. Refer to [DLK-48. "Component Function Check"](#).

HORN FUNCTION

< DTC/CIRCUIT DIAGNOSIS >

HORN FUNCTION

Description

INFOID:0000000011560123

Perform answer-back for each operation with horn.

Component Function Check

INFOID:0000000011560124

1.CHECK FUNCTION

1. Select "HORN" in "ACTIVE TEST" mode with CONSULT.
2. Check the horn (high/low) operation.

Test item		Description	
HORN	ON	Horn relay	ON (for 20 ms)

Is the operation normal?

- YES >> Inspection End.
 NO >> Go to [DLK-53. "Diagnosis Procedure"](#).

Diagnosis Procedure

INFOID:0000000011560125

Regarding Wiring Diagram information, refer to [DLK-96. "Wiring Diagram"](#).

1.CHECK HORN FUNCTION

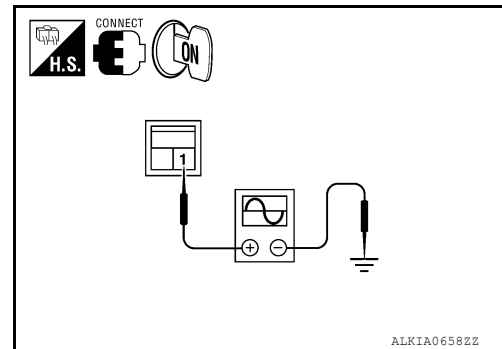
Check horn function with horn switch

Do the horns sound?

- YES >> GO TO 2
 NO >> Go to [HRN-3. "Wiring Diagram"](#).

2.CHECK HORN RELAY POWER SUPPLY

1. Turn ignition switch ON.
2. Perform "ACTIVE TEST", "HORN" with CONSULT.
3. Using an oscilloscope or analog voltmeter, check voltage between horn relay harness connector and ground.



Horn relay		Ground	Test item	Voltage (V) (Approx.)
Connector	Terminal			
H-1	1	Ground	HORN	Battery voltage → 0 → Battery voltage
			Other than above	Battery voltage

Is the inspection result normal?

- YES >> GO TO 4
 NO >> GO TO 3

3.CHECK HORN RELAY CIRCUIT

1. Turn ignition switch OFF.

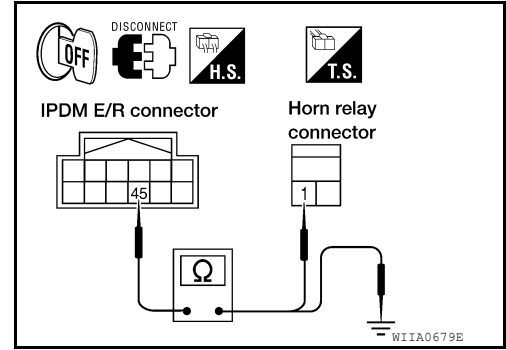
A
B
C
D
E
F
G
H
I
J
L
M
N
O
P

DLK

HORN FUNCTION

< DTC/CIRCUIT DIAGNOSIS >

2. Disconnect IPDM E/R and horn relay connector.
3. Check continuity between IPDM E/R harness connector and horn relay harness connector.



IPDM E/R		Horn relay		Continuity
Connector	Terminal	Connector	Terminal	
E122	45	H-1	1	Yes

4. Check continuity between IPDM E/R harness connector and ground.

IPDM E/R		Ground	Continuity
Connector	Terminal		
E122	45	Ground	No

Is the inspection result normal?

- YES >> GO TO 4.
 NO >> Repair or replace harness.

4. CHECK INTERMITTENT INCIDENT

Refer to [GI-44, "Intermittent Incident"](#).

Is the inspection result normal?

- YES >> Replace IPDM E/R. Refer to [PCS-28, "Removal and Installation of IPDM E/R"](#).
 NO >> Repair or replace the malfunctioning part.

WARNING CHIME FUNCTION

< DTC/CIRCUIT DIAGNOSIS >

WARNING CHIME FUNCTION

Description

INFOID:0000000011560126

Performs operation method guide and warning with buzzer.

Component Function Check

INFOID:0000000011560127

1.CHECK FUNCTION

With CONSULT

1. Turn ignition switch ON.
2. Using CONSULT, check the operation of the inside chime by performing "INSIDE BUZZER" ACTIVE TEST.

Does the inside chime operate normally?

- YES >> Warning buzzer into combination meter is OK.
NO >> Refer to [DLK-55, "Diagnosis Procedure"](#).

Diagnosis Procedure

INFOID:0000000011560128

1.CHECK METER BUZZER CIRCUIT

The inoperative warning chime is contained inside the combination meter. Replace combination meter. Refer to [MWI-95, "Removal and Installation"](#).

>> Inspection End.

A
B
C
D
E
F
G
H
I
J
L
M
N
O
P

DLK

HAZARD FUNCTION

< DTC/CIRCUIT DIAGNOSIS >

HAZARD FUNCTION

Description

INFOID:000000011560129

Perform answer-back for each operation with number of blinks.

Component Function Check

INFOID:000000011560130

1.CHECK FUNCTION

Check hazard warning lamp "FLASHER" in ACTIVE TEST.

Is the inspection result normal?

- YES >> Hazard warning lamp circuit is OK.
- NO >> Refer to [DLK-56, "Diagnosis Procedure"](#).

Diagnosis Procedure

INFOID:000000011560131

1.CHECK HAZARD SWITCH CIRCUIT

Operate the hazard lights by turning ON the hazard warning switch.

Do the lights operate normally?

- YES >> Replace the BCM. Refer to [BCS-56, "Removal and Installation"](#).
- NO >> Repair or replace hazard warning switch circuit. Refer to [EXL-144, "Removal and Installation"](#).

HEADLAMP FUNCTION

< DTC/CIRCUIT DIAGNOSIS >

HEADLAMP FUNCTION

Diagnosis Procedure

INFOID:000000011560132

1. CHECK HEADLAMP OPERATION

Do headlamps operate with headlamp switch?

YES or NO

YES >> Headlamp circuit is OK.

NO >> Check headlamp circuit. Refer to [EXL-36, "Component Function Check" \(HI\)](#) and [EXL-41, "Component Function Check" \(LO\)](#).

A
B
C
D
E
F
G
H
I
J
L
M
N
O
P

DLK

MAP LAMP AND IGNITION KEYHOLE ILLUMINATION FUNCTION

< DTC/CIRCUIT DIAGNOSIS >

MAP LAMP AND IGNITION KEYHOLE ILLUMINATION FUNCTION

Diagnosis Procedure

INFOID:000000011560133

1. CHECK MAP LAMP OPERATION

When room lamp switch is in "DOOR" position, open the driver or passenger door.
Map lamp and ignition keyhole illumination should illuminate.

Is the inspection result normal?

YES >> Map lamp circuit is OK.

NO >> Check map lamp circuit. Refer to [INL-3. "Work Flow"](#).

KEYFOB ID SET UP WITH CONSULT

< DTC/CIRCUIT DIAGNOSIS >

KEYFOB ID SET UP WITH CONSULT

ID Code Entry Procedure

INFOID:000000011560134

KEYFOB ID SET UP WITH CONSULT

NOTE:

- If a keyfob is lost, the ID code of the lost keyfob must be erased to prevent unauthorized use. A specific ID code can be erased with CONSULT. However, when the ID code of a lost keyfob is not known, all controller ID codes should be erased. After all ID codes are erased, the ID codes of all remaining and/or new keyfobs must be re-registered.
- When registering an additional keyfob, the existing ID codes in memory may or may not be erased. If five ID codes are stored in memory when an additional code is registered, only the oldest code is erased. If less than five codes are stored in memory when an additional code is registered, the new ID code is added and no ID codes are erased.
- Entry of a maximum of five ID codes is allowed. When more than five codes are entered, the oldest ID code will be erased.
- Even if the same ID code that is already in memory is input, the same ID code can be entered. The code is counted as an additional code.

1. Turn ignition switch ON.
2. Select "BCM".
3. Select "MULTI REMOTE ENT".
4. Select "WORK SUPPORT".
5. You can register, erase or confirm a keyfob ID code. To register a new code, select the following option and follow CONSULT instructions:
 - "REMO CONT ID REGIST"
Use this mode to register a keyfob ID code.

NOTE:

Register the ID code when keyfob or BCM is replaced, or when additional keyfob is required.

- "REMO CONT ID ERASUR"
Use this mode to erase a keyfob ID code.
- "REMO CONT ID CONFIR"
Use this mode to confirm if a keyfob ID code is registered or not.

A
B
C
D
E
F
G
H
I
J
DLK
L
M
N
O
P

KEYFOB ID SET UP WITHOUT CONSULT

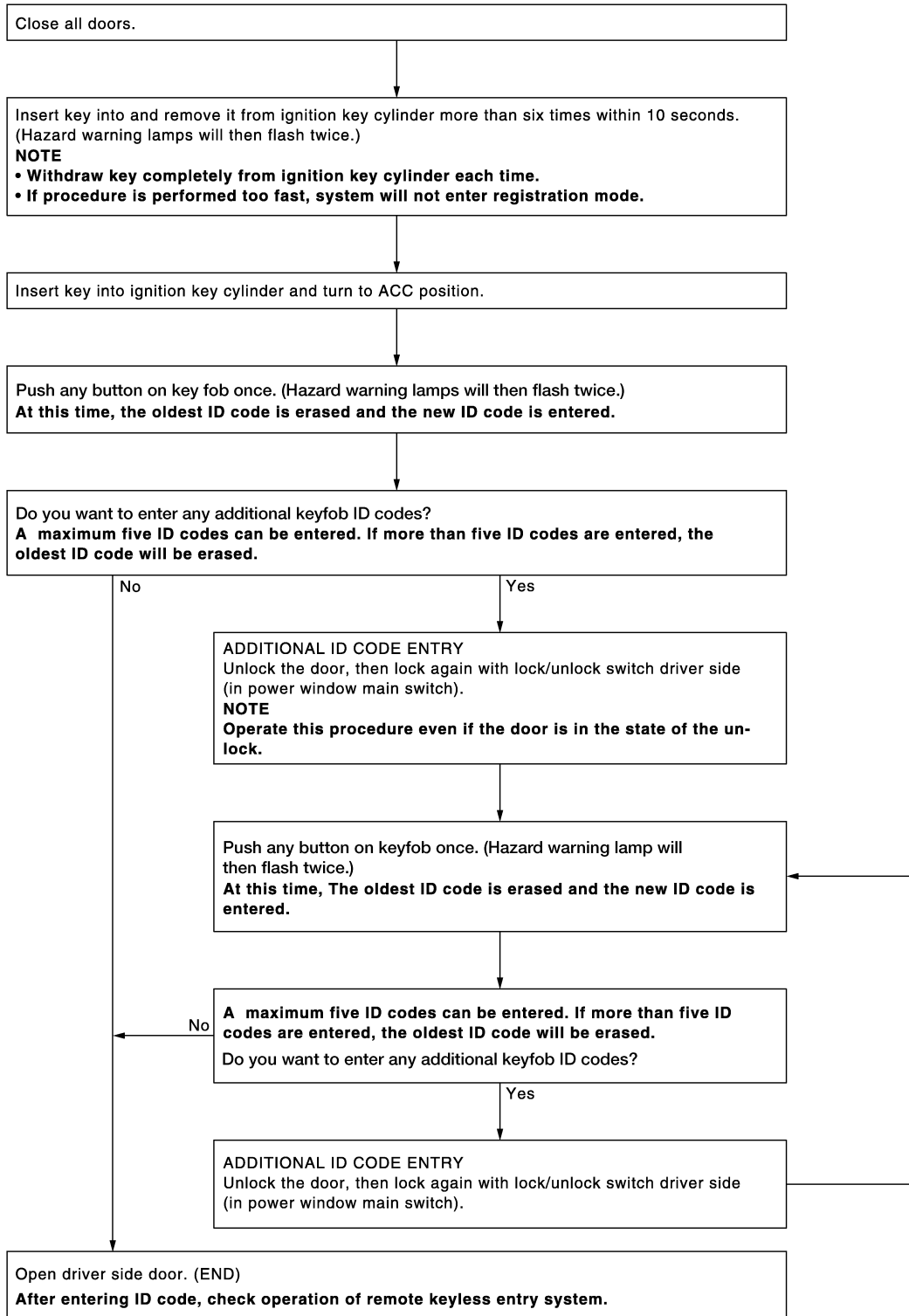
< DTC/CIRCUIT DIAGNOSIS >

KEYFOB ID SET UP WITHOUT CONSULT

ID Code Entry Procedure

INFOID:000000011560135

KEYFOB ID SET UP WITHOUT CONSULT



LI1A1670E

NOTE:

- If a keyfob is lost, the ID code of the lost keyfob must be erased to prevent unauthorized use. A specific ID code can be erased with CONSULT. However, when the ID code of a lost keyfob is not known, all controller

KEYFOB ID SET UP WITHOUT CONSULT

< DTC/CIRCUIT DIAGNOSIS >

ID codes should be erased. After all ID codes are erased, the ID codes of all remaining and/or new keyfobs must be re-registered.

To erase all ID codes in memory, register one ID code (keyfob) five times. After all ID codes are erased, the ID codes of all remaining and/or new keyfobs must be re-registered.

- When registering an additional keyfob, the existing ID codes in memory may or may not be erased. If five ID codes are stored in memory, when an additional code is registered, only the oldest code is erased. If less than five ID codes are stored in memory, when an additional ID code is registered, the new ID code is added and no ID codes are erased.
- If you need to activate more than two additional new keyfobs, repeat the procedure “Additional ID code entry” for each new keyfob.
- Entry of maximum five ID codes is allowed. When more than five ID codes are entered, the oldest ID code will be erased.
- Even if same ID code that is already in the memory is input, the same ID code can be entered. The code is counted as an additional code.

A

B

C

D

E

F

G

H

I

J

DLK

L

M

N

O

P

HOMELINK UNIVERSAL TRANSCEIVER

< DTC/CIRCUIT DIAGNOSIS >

HOMELINK UNIVERSAL TRANSCEIVER

Description

INFOID:000000011560136

Homelink universal transceiver can store and transmit a maximum of 3 radio signals. Allows operation of garage doors, gates, home and office lighting, entry door locks and security system, etc. Homelink universal transceiver power supply uses vehicle battery, which enables it to maintain every program in case battery is discharged or removed.

Component Function Check

INFOID:000000011560137

1. CHECK FUNCTION

Check that system receiver (garage door opener, etc.) operates with original hand-held transmitter.

Is the inspection result normal?

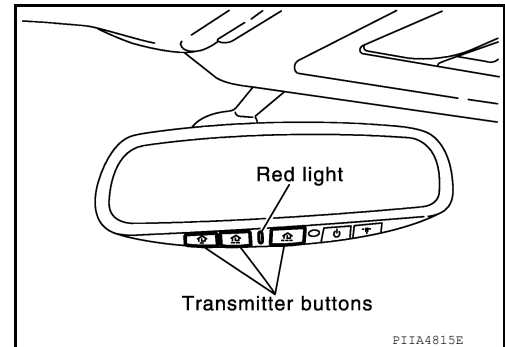
- YES >> GO TO 2
- NO >> Receiver or hand-held transmitter is malfunctioning.

2. CHECK ILLUMINATION

1. Turn ignition switch "OFF".
2. Press each of the transmitter buttons and watch for the red light to illuminate with each button.

Is the inspection result normal?

- YES >> GO TO 3
- NO >> Refer to [DLK-62, "Diagnosis Procedure"](#).



3. CHECK TRANSMITTER

Check transmitter with Tool*.

*:For details, refer to Technical Service Bulletin.

Is the inspection result normal?

- YES >> Receiver or hand-held transmitter malfunction, not vehicle related.
- NO >> Replace auto anti-dazzling inside mirror (homelink universal transceiver).

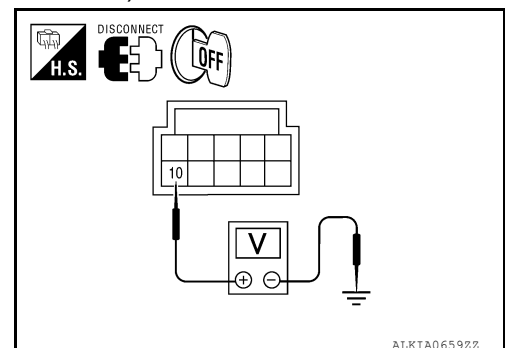
Diagnosis Procedure

INFOID:000000011560138

Regarding Wiring Diagram information, refer to [DLK-75, "Wiring Diagram"](#).

1. CHECK POWER SUPPLY

1. Disconnect auto anti-dazzling inside mirror (homelink universal transceiver) connector.
2. Check voltage between auto anti-dazzling inside mirror (homelink universal transceiver) harness connector and ground.



HOMELINK UNIVERSAL TRANSCEIVER

< DTC/CIRCUIT DIAGNOSIS >

Auto anti-dazzling inside mirror (Homelink universal transceiver) connector	Terminal		Condition	Voltage (V) (Approx.)
R7	10	Ground	Ignition switch position: LOCK	Battery voltage

Is the inspection result normal?

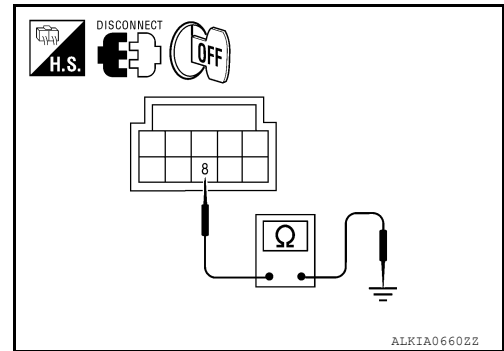
YES >> GO TO 2

NO >> Check the following.

- 10A fuse [No. 19 located in the fuse block (J/B)]
- Harness for open or short between fuse and auto anti-dazzling inside mirror (homelink universal transceiver).

2.CHECK GROUND CIRCUIT

Check continuity between auto anti-dazzling inside mirror (homelink universal transceiver) harness connector and ground.



Auto anti-dazzling inside mirror (Homelink universal transceiver) connector	Terminal	Ground	Continuity
R7	8		Yes

Is the inspection result normal?

YES >> GO TO 3

NO >> Repair harness.

3.CHECK INTERMITTENT INCIDENT

Refer to [GI-44. "Intermittent Incident"](#).

>> Inspection End.

A
B
C
D
E
F
G
H
I
J
L
M
N
O
P

DLK

BCM (BODY CONTROL MODULE)

< ECU DIAGNOSIS INFORMATION >

ECU DIAGNOSIS INFORMATION

BCM (BODY CONTROL MODULE)

Reference Value

INFOID:0000000011880219

NOTE:

The Signal Tech II Tool [- (J-50190)] can be used to perform the following functions. Refer to the Signal Tech II User Guide for additional information:

- Activate and display TPMS transmitter IDs
- Display tire pressure reported by the TPMS transmitter
- Read TPMS DTCs
- Register TPMS transmitter IDs
- Test remote keyless entry keyfob relative signal strength

VALUES ON THE DIAGNOSIS TOOL

Monitor Item	Condition	Value/Status
ACC ON SW	Ignition switch OFF or ON	Off
	Ignition switch ACC	On
AIR COND SW	A/C switch OFF	Off
	A/C switch ON	On
AIR PRESS FL	Front left tire air pressure value	kPa, kg/cm ² , psi
AIR PRESS FR	Front right tire air pressure value	kPa, kg/cm ² , psi
AIR PRESS RL	Rear left tire air pressure value	kPa, kg/cm ² , psi
AIR PRESS RR	Rear right tire air pressure value	kPa, kg/cm ² , psi
AUTO LIGHT SW	Lighting switch OFF	Off
	Lighting switch AUTO	On
BRAKE SW	Brake pedal released	Off
	Brake pedal applied	On
BUCKLE SW	Seat belt buckle unfastened	Off
	Seat belt buckle fastened	On
BUZZER	Buzzer in combination meter OFF	Off
	Buzzer in combination meter ON	On
CARGO LAMP SW	Cargo lamp switch OFF	Off
	Cargo lamp switch ON	On
CDL LOCK SW	Door lock/unlock switch does not operate	Off
	Press door lock/unlock switch to the LOCK side	On
CDL UNLOCK SW	Door lock/unlock switch does not operate	Off
	Press door lock/unlock switch to the UNLOCK side	On
DOOR SW-AS	Front door RH closed	Off
	Front door RH opened	On
DOOR SW-DR	Front door LH closed	Off
	Front door LH opened	On
DOOR SW-RL	Rear door LH closed	Off
	Rear door LH opened	On
DOOR SW-RR	Rear door RH closed	Off
	Rear door RH opened	On

BCM (BODY CONTROL MODULE)

< ECU DIAGNOSIS INFORMATION >

Monitor Item	Condition	Value/Status	
FAN ON SIG	Blower motor fan switch OFF	Off	A
	Blower motor fan switch ON	On	
FR FOG SW	Front fog lamp switch OFF	Off	B
	Front fog lamp switch ON	On	
FR WASHER SW	Front washer switch OFF	Off	C
	Front washer switch ON	On	
FR WIPER LOW	Front wiper switch OFF	Off	
	Front wiper switch LO	On	D
FR WIPER HI	Front wiper switch OFF	Off	
	Front wiper switch HI	On	
FR WIPER INT	Front wiper switch OFF	Off	E
	Front wiper switch INT	On	
FR WIPER STOP	Any position other than front wiper stop position	Off	F
	Front wiper stop position	On	
HAZARD SW	When hazard switch is not pressed	Off	
	When hazard switch is pressed	On	G
HEAD LAMP SW1	Headlamp switch OFF	Off	
	Headlamp switch 1st	On	H
HEAD LAMP SW2	Headlamp switch OFF	Off	
	Headlamp switch 1st	On	
HI BEAM SW	High beam switch OFF	Off	I
	High beam switch HI	On	
ID REGST FL1	ID registration of front left tire incomplete	YET	J
	ID registration of front left tire complete	DONE	
ID REGST FR1	ID registration of front right tire incomplete	YET	
	ID registration of front right tire complete	DONE	DLK
ID REGST RL1	ID registration of rear left tire incomplete	YET	
	ID registration of rear left tire complete	DONE	
ID REGST RR1	ID registration of rear right tire incomplete	YET	L
	ID registration of rear right tire complete	DONE	
IGN ON SW	Ignition switch OFF or ACC	Off	M
	Ignition switch ON	On	
IGN SW CAN	Ignition switch OFF or ACC	Off	
	Ignition switch ON	On	N
INT VOLUME	Wiper intermittent dial is in a dial position 1 - 7	1 - 7	
KEY CYL LK-SW	Door key cylinder LOCK position	Off	O
	Door key cylinder other than LOCK position	On	
KEY CYL UN-SW	Door key cylinder UNLOCK position	Off	
	Door key cylinder other than UNLOCK position	On	P
KEY ON SW	Mechanical key is removed from key cylinder	Off	
	Mechanical key is inserted to key cylinder	On	
KEYLESS LOCK	LOCK button of key fob is not pressed	Off	
	LOCK button of key fob is pressed	On	

BCM (BODY CONTROL MODULE)

< ECU DIAGNOSIS INFORMATION >

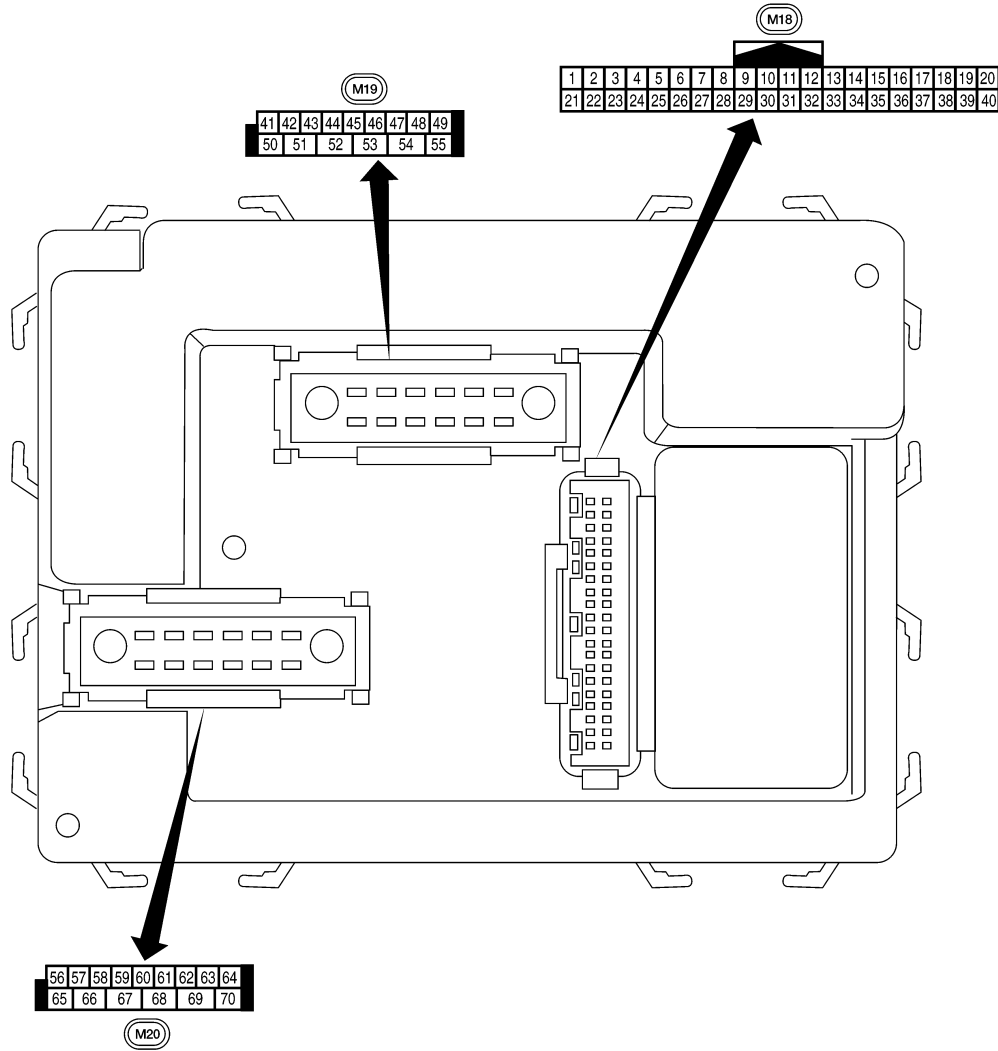
Monitor Item	Condition	Value/Status
KEYLESS PANIC	PANIC button of key fob is not pressed	Off
	PANIC button of key fob is pressed	On
KEYLESS UNLOCK	UNLOCK button of key fob is not pressed	Off
	UNLOCK button of key fob is pressed	On
LIGHT SW 1ST	Lighting switch OFF	Off
	Lighting switch 1st	On
OIL PRESS SW	• Ignition switch OFF or ACC • Engine running	Off
	Ignition switch ON	On
OPTICAL SENSOR	Bright outside of the vehicle	Close to 5V
	Dark outside of the vehicle	Close to 0V
PASSING SW	Other than lighting switch PASS	Off
	Lighting switch PASS	On
REAR DEF SW	Rear window defogger switch OFF	Off
	Rear window defogger switch ON	On
TURN SIGNAL L	Turn signal switch OFF	Off
	Turn signal switch LH	On
TURN SIGNAL R	Turn signal switch OFF	Off
	Turn signal switch RH	On
VEHICLE SPEED	While driving	Equivalent to speedometer reading
WARNING LAMP	Low tire pressure warning lamp in combination meter OFF	Off
	Low tire pressure warning lamp in combination meter ON	On

BCM (BODY CONTROL MODULE)

< ECU DIAGNOSIS INFORMATION >

Terminal Layout

INFOID:000000011880220



A
B
C
D
E
F
G
H
I
J
DLK
L
M
N
O
P

DLK

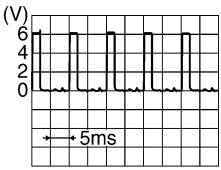
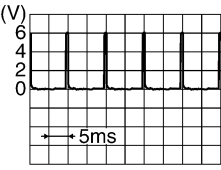
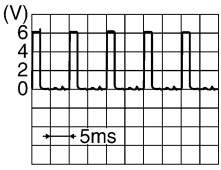
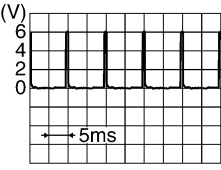
Physical Values

AWMIA15422Z

INFOID:000000011880221

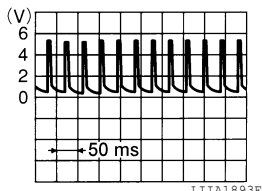
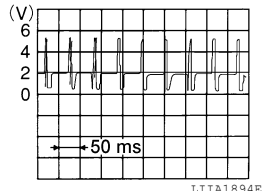
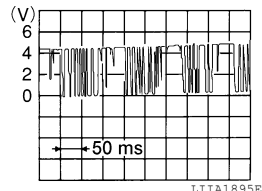
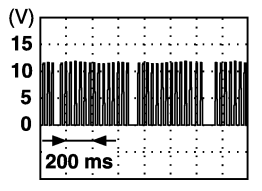
BCM (BODY CONTROL MODULE)

< ECU DIAGNOSIS INFORMATION >

Terminal	Wire color	Signal name	Signal input/output	Measuring condition		Reference value or waveform (Approx.)
				Ignition switch	Operation or condition	
1	BR/W	Key ring output	Output	OFF	ON (driver door open)	0V
					OFF (driver door closed)	Battery voltage
2	SB	Combination switch input 5	Input	ON	Lighting, turn, wiper OFF Wiper dial position 4	 <small>SKIA5291E</small>
3	G/Y	Combination switch input 4	Input	ON	Lighting, turn, wiper OFF Wiper dial position 4	 <small>SKIA5292E</small>
4	Y	Combination switch input 3	Input	ON	Lighting, turn, wiper OFF Wiper dial position 4	 <small>SKIA5291E</small>
5	G/B	Combination switch input 2	Input	ON	Lighting, turn, wiper OFF Wiper dial position 4	 <small>SKIA5292E</small>
6	V	Combination switch input 1				
9	R/G	Brake switch	Input	ON	Brake pedal depressed	Battery voltage
					Brake pedal released	0V
11	O	Ignition switch (ACC or ON)	Input	ACC or ON	Ignition switch ACC or ON	Battery voltage
12	R/L	Front door switch RH (All)	Input	OFF	ON (open)	0V
		Rear door switch lower RH (King Cab)			OFF (closed)	Battery voltage
		Rear door switch upper RH (King Cab)				
13	GR	Rear door switch RH (Crew Cab)	Input	OFF	ON (open)	0V
					OFF (closed)	Battery voltage
15	L/W	Tire pressure warning check connector	Input	OFF	—	5V
18	P	Remote keyless entry receiver and optical sensor (ground)	Output	OFF	—	0V

BCM (BODY CONTROL MODULE)

< ECU DIAGNOSIS INFORMATION >

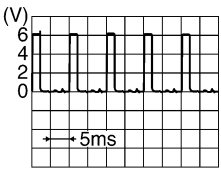
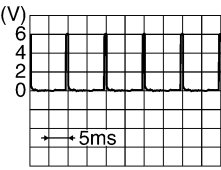
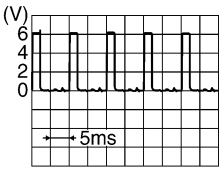
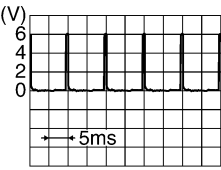
Terminal	Wire color	Signal name	Signal input/output	Measuring condition		Reference value or waveform (Approx.)
				Ignition switch	Operation or condition	
19	V/W	Remote keyless entry receiver (power supply)	Output	OFF	Ignition switch OFF	 <p style="text-align: right; font-size: small;">L11A1895E</p>
20	G/W	Remote keyless entry receiver (signal)	Input	OFF	Stand-by (keyfob buttons released)	 <p style="text-align: right; font-size: small;">L11A1894E</p>
					When remote keyless entry receiver receives signal from keyfob (keyfob buttons pressed)	 <p style="text-align: right; font-size: small;">L11A1895E</p>
21	G	NATS antenna amp.	Input	OFF → ON	Ignition switch (OFF → ON)	Just after turning ignition switch ON: Pointer of tester should move for approx. 1 second, then return to battery voltage.
22	G	BUS	—	—	Ignition switch ON or power window timer operates	 <p style="text-align: right; font-size: small;">P11A2344E</p>
23	G/O	Security indicator lamp	Output	OFF	Goes OFF → illuminates (Every 2.4 seconds)	Battery voltage → 0V
25	BR	NATS antenna amp.	Input	OFF → ON	Ignition switch (OFF → ON)	Just after turning ignition switch ON: Pointer of tester should move for approx. 1 second, then return to battery voltage.
27	W/R	Compressor ON signal	Input	ON	A/C switch OFF	5V
					A/C switch ON	0V
28	L/R	Front blower monitor	Input	ON	Front blower motor OFF	Battery voltage
					Front blower motor ON	0V
29	W/B	Hazard switch	Input	OFF	ON	0V
					OFF	5V
31	P/L	Cargo lamp switch	Input	OFF	Cargo lamp switch ON	0
					Cargo lamp switch OFF	Battery voltage

A
B
C
D
E
F
G
H
I
J
L
M
N
O
P

DLK

BCM (BODY CONTROL MODULE)

< ECU DIAGNOSIS INFORMATION >

Terminal	Wire color	Signal name	Signal input/output	Measuring condition		Reference value or waveform (Approx.)
				Ignition switch	Operation or condition	
32	R/G	Combination switch output 5	Output	ON	Lighting, turn, wiper OFF Wiper dial position 4	 <p style="text-align: right; font-size: small;">SKIA5291E</p>
33	R/Y	Combination switch output 4	Output	ON	Lighting, turn, wiper OFF Wiper dial position 4	 <p style="text-align: right; font-size: small;">SKIA5292E</p>
34	L	Combination switch output 3	Output	ON	Lighting, turn, wiper OFF Wiper dial position 4	 <p style="text-align: right; font-size: small;">SKIA5291E</p>
35	O/B	Combination switch output 2	Output	ON	Lighting, turn, wiper OFF Wiper dial position 4	 <p style="text-align: right; font-size: small;">SKIA5292E</p>
36	R/W	Combination switch output 1				
37	B/R	Key switch and key lock solenoid	Input	OFF	Key inserted	Battery voltage
					Key removed	0V
38	W/L	Ignition switch (ON)	Input	ON	—	Battery voltage
39	L	CAN-H	—	—	—	—
40	P	CAN-L	—	—	—	—
41	Y/B	Rear defogger switch	Input	ON	Rear defogger switch ON	0V
					Rear defogger switch OFF	5V
47	SB	Front door switch LH (All)	Input	OFF	ON (open)	0V
		Rear door switch lower LH (King Cab)				
		Rear door switch upper LH (King Cab)				
48	R/Y	Rear door switch LH (Crew Cab)	Input	OFF	ON (open)	0V
					OFF (closed)	Battery voltage
50	R/Y	Cargo bed lamp control	Output	OFF	Cargo lamp switch (ON)	0V
					Cargo lamp switch (OFF)	Battery voltage

BCM (BODY CONTROL MODULE)

< ECU DIAGNOSIS INFORMATION >

Terminal	Wire color	Signal name	Signal input/output	Measuring condition		Reference value or waveform (Approx.)
				Ignition switch	Operation or condition	
51	Y/B	Trailer turn signal (right)	Output	ON	Turn right ON	
52	G/B	Trailer turn signal (left)	Output	ON	Turn left ON	
56	R/G	Battery saver output	Output	OFF	15 minutes after ignition switch is turned OFF	0V
				ON	—	Battery voltage
57	Y/R	Battery power supply	Input	OFF	—	Battery voltage
58	W/R	Optical sensor	Input	ON	When optical sensor is illuminated	3.1V or more
					When optical sensor is not illuminated	0.6V or less
59	G	Front door lock assembly LH actuator (unlock)	Output	OFF	OFF (neutral)	0V
					ON (unlock)	Battery voltage
60	G/B	Turn signal (left)	Output	ON	Turn left ON	
61	G/Y	Turn signal (right)	Output	ON	Turn right ON	
63	L	Interior room/map lamp	Output	OFF	Any door switch ON (open)	0V
					OFF (closed)	Battery voltage
65	V	All door lock actuators (lock)	Output	OFF	OFF (neutral)	0V
					ON (lock)	Battery voltage
66	G/Y	Front door lock actuator RH and rear door lock actuators LH/RH (unlock)	Output	OFF	OFF (neutral)	0V
					ON (unlock)	Battery voltage
67	B	Ground	Input	ON	—	0V

A
B
C
D
E
F
G
H
I
J
K
L
M
N
O
P

DLK

BCM (BODY CONTROL MODULE)

< ECU DIAGNOSIS INFORMATION >

Terminal	Wire color	Signal name	Signal input/output	Measuring condition		Reference value or waveform (Approx.)
				Ignition switch	Operation or condition	
68	W/L	Power window power supply (RAP)	Output	—	Ignition switch ON	Battery voltage
					Within 45 seconds after ignition switch OFF	Battery voltage
					More than 45 seconds after ignition switch OFF	0V
					When front door LH or RH is open or power window timer operates	0V
69	W/R	Power window power supply	Output	—	—	Battery voltage
70	W/B	Battery power supply	Input	OFF	—	Battery voltage

Fail Safe

INFOID:000000011880223

Fail-safe index

BCM performs fail-safe control when any DTC listed below is detected.

Display contents of CONSULT	Fail-safe	Cancellation
U1000: CAN COMM CIRCUIT	Inhibit engine cranking	When the BCM re-establishes communication with the other modules.

DTC Inspection Priority Chart

INFOID:000000011880223

If some DTCs are displayed at the same time, perform inspections one by one based on the following priority chart:

Priority	DTC
1	<ul style="list-style-type: none"> U1000: CAN COMM CIRCUIT
2	<ul style="list-style-type: none"> B2190: NATS ANTENNA AMP B2191: DIFFERENCE OF KEY B2192: ID DISCORD BCM-ECM B2193: CHAIN OF BCM-ECM

BCM (BODY CONTROL MODULE)

< ECU DIAGNOSIS INFORMATION >

Priority	DTC	
3	<ul style="list-style-type: none"> • C1729: VHCL SPEED SIG ERR • C1735: IGNITION SIGNAL 	A
4	<ul style="list-style-type: none"> • C1704: LOW PRESSURE FL • C1705: LOW PRESSURE FR • C1706: LOW PRESSURE RR • C1707: LOW PRESSURE RL • C1708: [NO DATA] FL • C1709: [NO DATA] FR • C1710: [NO DATA] RR • C1711: [NO DATA] RL • C1712: [CHECKSUM ERR] FL • C1713: [CHECKSUM ERR] FR • C1714: [CHECKSUM ERR] RR • C1715: [CHECKSUM ERR] RL • C1716: [PRESSDATA ERR] FL • C1717: [PRESSDATA ERR] FR • C1718: [PRESSDATA ERR] RR • C1719: [PRESSDATA ERR] RL • C1720: [CODE ERR] FL • C1721: [CODE ERR] FR • C1722: [CODE ERR] RR • C1723: [CODE ERR] RL • C1724: [BATT VOLT LOW] FL • C1725: [BATT VOLT LOW] FR • C1726: [BATT VOLT LOW] RR • C1727: [BATT VOLT LOW] RL 	B C D E F G H

DTC Index

INFOID:000000011880224

NOTE:

Details of time display

- CRNT: Displays when there is a malfunction now or after returning to the normal condition until turning ignition switch OFF → ON again.
- 1 - 39: Displayed if any previous malfunction is present when current condition is normal. It increases like 1 → 2 → 3...38 → 39 after returning to the normal condition whenever ignition switch OFF → ON. The counter remains at 39 even if the number of cycles exceeds it. It is counted from 1 again when turning ignition switch OFF → ON after returning to the normal condition if the malfunction is detected again.

CONSULT display	Fail-safe	Tire pressure monitor warning lamp ON	Reference page
No DTC is detected. further testing may be required.	—	—	—
U1000: CAN COMM CIRCUIT	—	—	BCS-30
B2190: NATS ANTENA AMP	—	—	SEC-18
B2191: DIFFERENCE OF KEY	—	—	SEC-21
B2192: ID DISCORD BCM-ECM	—	—	SEC-22
B2193: CHAIN OF BCM-ECM	—	—	SEC-24
C1708: [NO DATA] FL	—	—	WT-15
C1709: [NO DATA] FR	—	—	WT-15
C1710: [NO DATA] RR	—	—	WT-15
C1711: [NO DATA] RL	—	—	WT-15
C1712: [CHECKSUM ERR] FL	—	—	WT-17
C1713: [CHECKSUM ERR] FR	—	—	WT-17
C1714: [CHECKSUM ERR] RR	—	—	WT-17
C1715: [CHECKSUM ERR] RL	—	—	WT-17

BCM (BODY CONTROL MODULE)

< ECU DIAGNOSIS INFORMATION >

CONSULT display	Fail-safe	Tire pressure monitor warning lamp ON	Reference page
C1716: [PRESSDATA ERR] FL	—	—	WT-19
C1717: [PRESSDATA ERR] FR	—	—	WT-19
C1718: [PRESSDATA ERR] RR	—	—	WT-19
C1719: [PRESSDATA ERR] RL	—	—	WT-19
C1720: [CODE ERR] FL	—	—	WT-17
C1721: [CODE ERR] FR	—	—	WT-17
C1722: [CODE ERR] RR	—	—	WT-17
C1723: [CODE ERR] RL	—	—	WT-17
C1724: [BATT VOLT LOW] FL	—	—	WT-17
C1725: [BATT VOLT LOW] FR	—	—	WT-17
C1726: [BATT VOLT LOW] RR	—	—	WT-17
C1727: [BATT VOLT LOW] RL	—	—	WT-17
C1729: VHCL SPEED SIG ERR	—	—	WT-21
C1735: IGNITION SIGNAL	—	—	WT-23

INTEGRATED HOMELINK TRANSMITTER

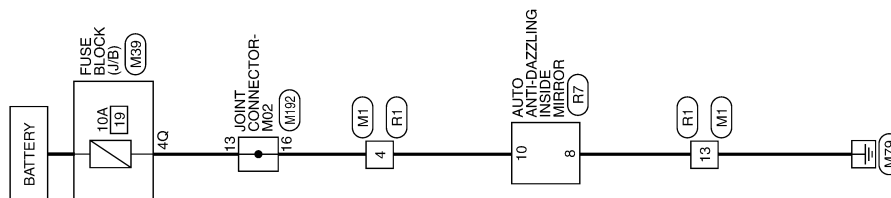
< WIRING DIAGRAM >

WIRING DIAGRAM

INTEGRATED HOMELINK TRANSMITTER

Wiring Diagram

INFOID:0000000011560145



INTEGRATED HOMELINK TRANSMITTER

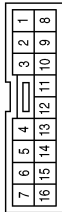
DLK

INTEGRATED HOMELINK TRANSMITTER

< WIRING DIAGRAM >

INTEGRATED HOMELINK TRANSMITTER CONNECTORS

Connector No.	M1
Connector Name	WIRE TO WIRE
Connector Color	WHITE



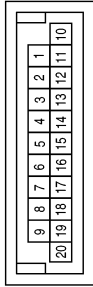
Terminal No.	Color of Wire	Signal Name
4	Y/R	-
13	B	-

Connector No.	M39
Connector Name	FUSE BLOCK (J/B)
Connector Color	WHITE



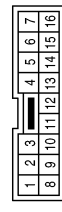
Terminal No.	Color of Wire	Signal Name
4Q	Y/R	-

Connector No.	M192
Connector Name	JOINT CONNECTOR-M02
Connector Color	GREEN



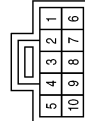
Terminal No.	Color of Wire	Signal Name
13	Y/R	-
16	Y/R	-

Connector No.	R1
Connector Name	WIRE TO WIRE
Connector Color	WHITE



Terminal No.	Color of Wire	Signal Name
4	Y/R	-
13	B	-

Connector No.	R7
Connector Name	AUTO ANTI-PAZZLING INSIDE MIRROR (WITH HOMELINK UNIVERSAL TRANSCIEIVER)
Connector Color	GRAY



Terminal No.	Color of Wire	Signal Name
8	B	-
10	Y/R	-

POWER DOOR LOCK SYSTEM

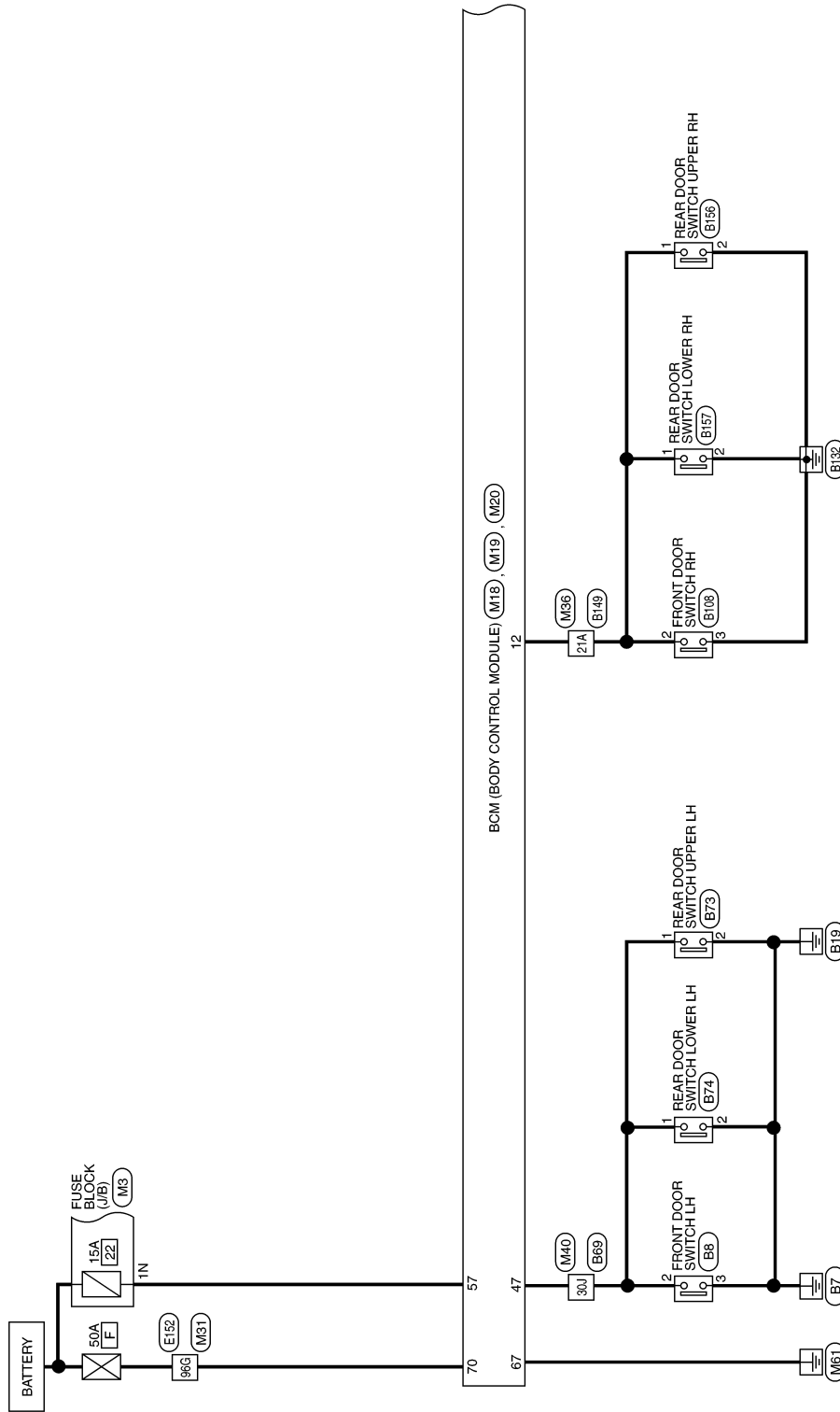
< WIRING DIAGRAM >

POWER DOOR LOCK SYSTEM

Wiring Diagram - King Cab

INFOID:000000011560146

POWER DOOR LOCK SYSTEM - KING CAB

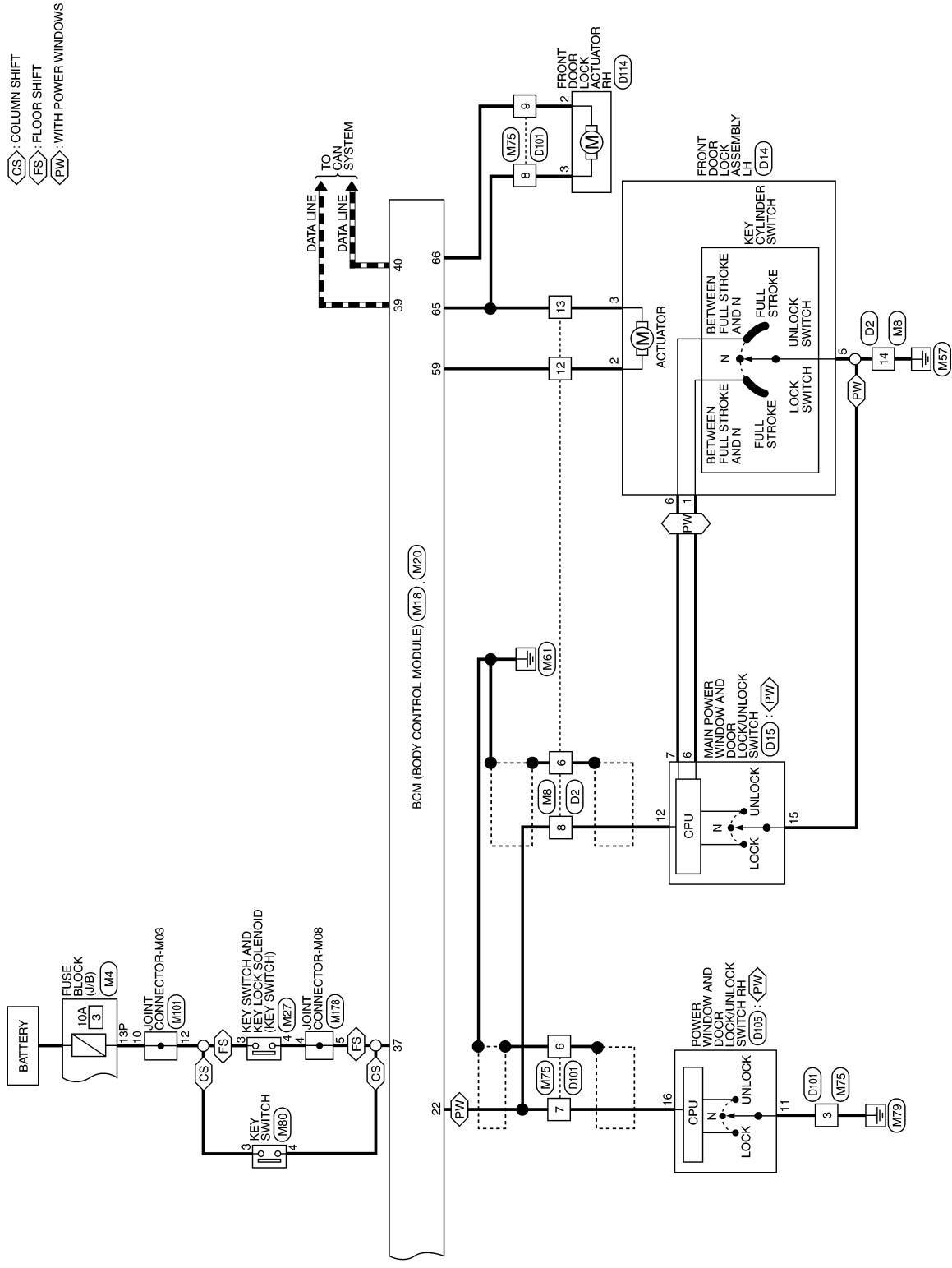


A
B
C
D
E
F
G
H
I
J
DLK
L
M
N
O
P

ABKWA2557GB

POWER DOOR LOCK SYSTEM

< WIRING DIAGRAM >



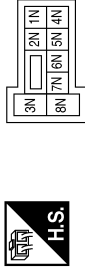
ABKWA2558GB

POWER DOOR LOCK SYSTEM

< WIRING DIAGRAM >

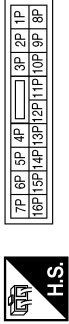
POWER DOOR LOCK SYSTEM CONNECTORS - KING CAB

Connector No.	M3
Connector Name	FUSE BLOCK (J/B)
Connector Color	WHITE



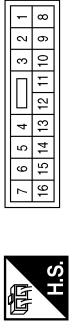
Terminal No.	Color of Wire	Signal Name
1N	Y/R	-

Connector No.	M4
Connector Name	FUSE BLOCK (J/B)
Connector Color	WHITE



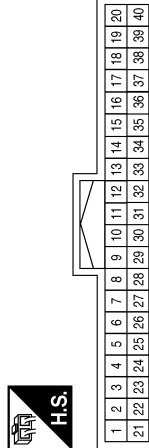
Terminal No.	Color of Wire	Signal Name
13P	P	-

Connector No.	M8
Connector Name	WIRE TO WIRE
Connector Color	WHITE



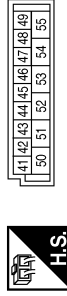
Terminal No.	Color of Wire	Signal Name
6	SHIELD	-
8	G	-
12	G	-
13	V	-
14	B	-

Connector No.	M18
Connector Name	BCM (BODY CONTROL MODULE)
Connector Color	WHITE



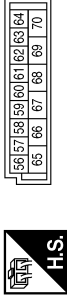
Terminal No.	Color of Wire	Signal Name
12	R/L	DOOR SW (AS)
22	G	ANTI-PINCH SERIAL LINK (FX, TX)
37	B/R	KEY SW
39	L	CAN-H
40	P	CAN-L

Connector No.	M19
Connector Name	BCM (BODY CONTROL MODULE)
Connector Color	WHITE



Terminal No.	Color of Wire	Signal Name
47	SB	DOOR SW (DR)

Connector No.	M20
Connector Name	BCM (BODY CONTROL MODULE)
Connector Color	BLACK



Terminal No.	Color of Wire	Signal Name
57	Y/R	BAT (FUSE)
59	G	DOOR UNLOCK OUTPUT (DR)
65	V	DOOR LOCK OUTPUT (ALL)
66	G/Y	DOOR UNLOCK OUTPUT (OTHER)
67	B	GND (POWER)
70	W/B	BAT (F/L)

ABKIA5865GB

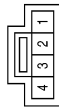
A
B
C
D
E
F
G
H
I
J
K
L
M
N
O
P

DLK

POWER DOOR LOCK SYSTEM

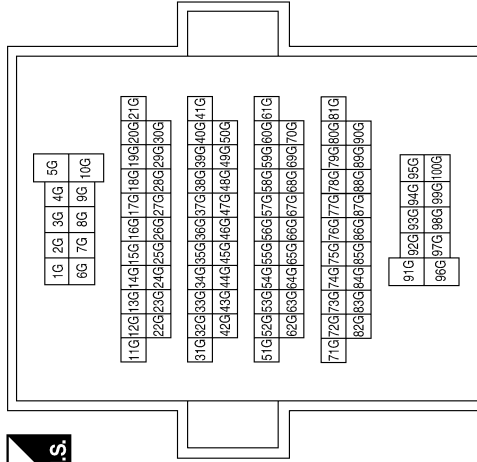
< WIRING DIAGRAM >

Connector No.	M27
Connector Name	KEY SWITCH AND KEY LOCK SOLENOID
Connector Color	WHITE



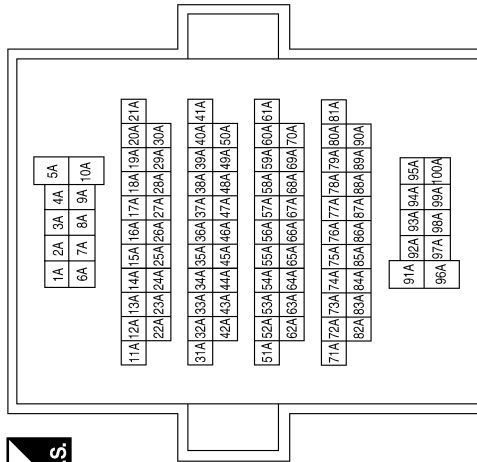
Terminal No.	Color of Wire	Signal Name
3	P	-
4	B/R	-

Connector No.	M31
Connector Name	WIRE TO WIRE
Connector Color	WHITE



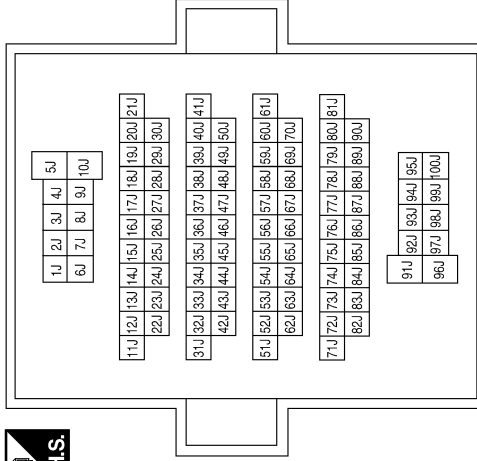
Terminal No.	Color of Wire	Signal Name
96G	W/B	-

Connector No.	M36
Connector Name	WIRE TO WIRE
Connector Color	WHITE



Terminal No.	Color of Wire	Signal Name
21A	R/L	-

Connector No.	M40
Connector Name	WIRE TO WIRE
Connector Color	WHITE



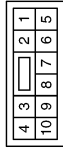
Terminal No.	Color of Wire	Signal Name
30J	SB	-

ABKIA4049GB

POWER DOOR LOCK SYSTEM

< WIRING DIAGRAM >

Connector No.	M75
Connector Name	WIRE TO WIRE
Connector Color	WHITE



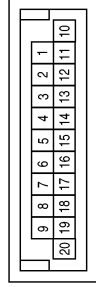
Terminal No.	Color of Wire	Signal Name
3	B	-
6	SHIELD	-
7	G	-
8	V	-
9	G/Y	-

Connector No.	M80
Connector Name	KEY SWITCH
Connector Color	WHITE



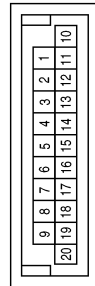
Terminal No.	Color of Wire	Signal Name
3	P	-
4	B/R	-

Connector No.	M101
Connector Name	JOINT CONNECTOR-M03
Connector Color	BLUE



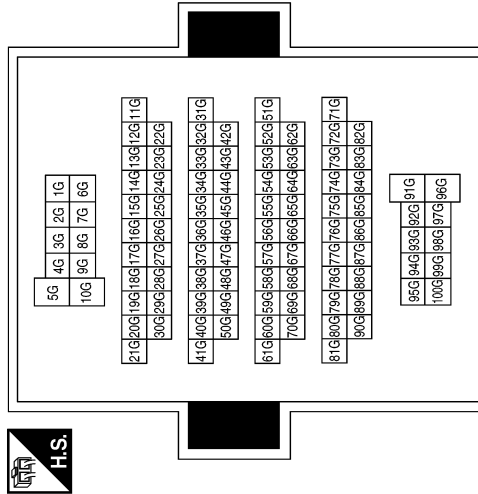
Terminal No.	Color of Wire	Signal Name
10	P	-
12	P	-

Connector No.	M178
Connector Name	JOINT CONNECTOR-M08
Connector Color	WHITE



Terminal No.	Color of Wire	Signal Name
4	B/R	-
5	B/R	-

Connector No.	E152
Connector Name	WIRE TO WIRE
Connector Color	WHITE



Terminal No.	96G	Color of Wire	W/B	Signal Name
				-

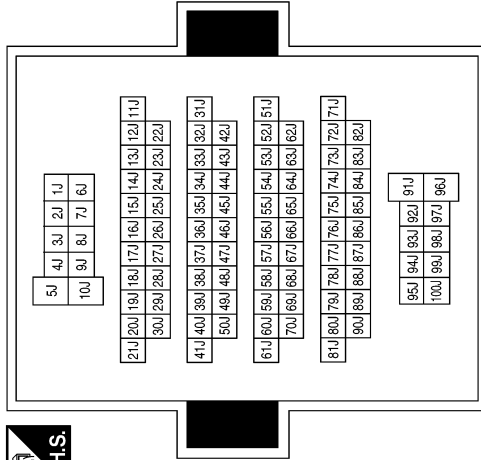
A
B
C
D
E
F
G
H
I
J
DLK
L
M
N
O
P

POWER DOOR LOCK SYSTEM

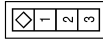
< WIRING DIAGRAM >

Terminal No.	Color of Wire	Signal Name
30J	SB	-

Connector No.	B69
Connector Name	WIRE TO WIRE
Connector Color	WHITE

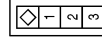


Connector No.	B8
Connector Name	FRONT DOOR SWITCH LH
Connector Color	WHITE



Terminal No.	Color of Wire	Signal Name
2	SB	-
3	B	-

Connector No.	B108
Connector Name	FRONT DOOR SWITCH RH
Connector Color	WHITE



Connector No.	B74
Connector Name	REAR DOOR SWITCH LOWER LH
Connector Color	BLACK



Connector No.	B73
Connector Name	REAR DOOR SWITCH UPPER LH
Connector Color	BLACK



Terminal No.	Color of Wire	Signal Name
2	R/L	-
3	B	-

Terminal No.	Color of Wire	Signal Name
1	SB	-
2	B	-

Terminal No.	Color of Wire	Signal Name
1	SB	-
2	B	-

ABKIA5848GB

POWER DOOR LOCK SYSTEM

< WIRING DIAGRAM >

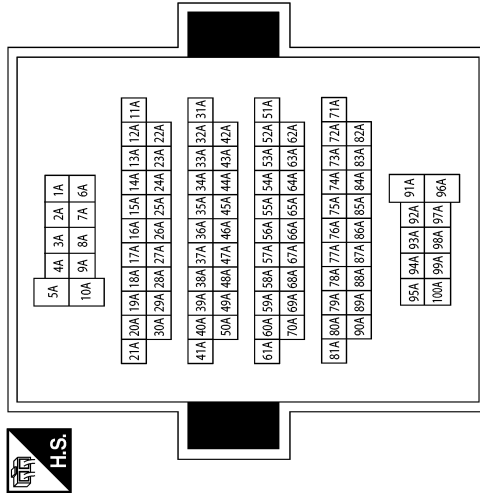
Connector No.	B156
Connector Name	REAR DOOR SWITCH UPPER RH
Connector Color	BLACK



Terminal No.	Color of Wire	Signal Name
1	R/L	-
2	B	-

Terminal No.	Color of Wire	Signal Name
21A	R/L	-

Connector No.	B149
Connector Name	WIRE TO WIRE
Connector Color	WHITE



Connector No.	D14
Connector Name	FRONT DOOR LOCK ASSEMBLY LH
Connector Color	BLACK



Terminal No.	Color of Wire	Signal Name
1	L	-
2	G	-
3	V	-
5	B	-
6	R	-

Connector No.	D2
Connector Name	WIRE TO WIRE
Connector Color	WHITE



Terminal No.	Color of Wire	Signal Name
6	SHIELD	-
8	LG/W	-
12	G	-
13	V	-
14	B	-

Connector No.	B157
Connector Name	REAR DOOR SWITCH LOWER RH
Connector Color	BLACK



Terminal No.	Color of Wire	Signal Name
1	R/L	-
2	B	-

ABKIA5849GB

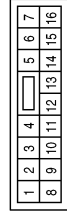
A B C D E F G H I J L M N O P

DLK

POWER DOOR LOCK SYSTEM

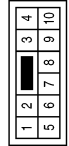
< WIRING DIAGRAM >

Connector No.	D105
Connector Name	POWER WINDOW AND DOOR LOCK/UNLOCK SWITCH RH
Connector Color	WHITE



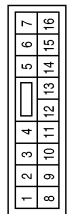
Terminal No.	Color of Wire	Signal Name
11	B	GND
16	LG/W	COMMUNICATION

Connector No.	D101
Connector Name	WIRE TO WIRE
Connector Color	WHITE



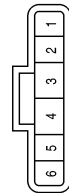
Terminal No.	Color of Wire	Signal Name
3	B	-
6	SHIELD	-
7	LG/W	-
8	V	-
9	G/Y	-

Connector No.	D15
Connector Name	MAIN POWER WINDOW AND DOOR LOCK/UNLOCK SWITCH (KING CAB)
Connector Color	WHITE



Terminal No.	Color of Wire	Signal Name
6	L	KEY CYLINDER LOCK
7	R	KEY CYLINDER UNLOCK
12	LG/W	COMMUNICATION
15	B	GND

Connector No.	D114
Connector Name	FRONT DOOR LOCK ACTUATOR RH
Connector Color	BLACK



Terminal No.	Color of Wire	Signal Name
2	G/Y	-
3	V	-

ABKIA5850GB

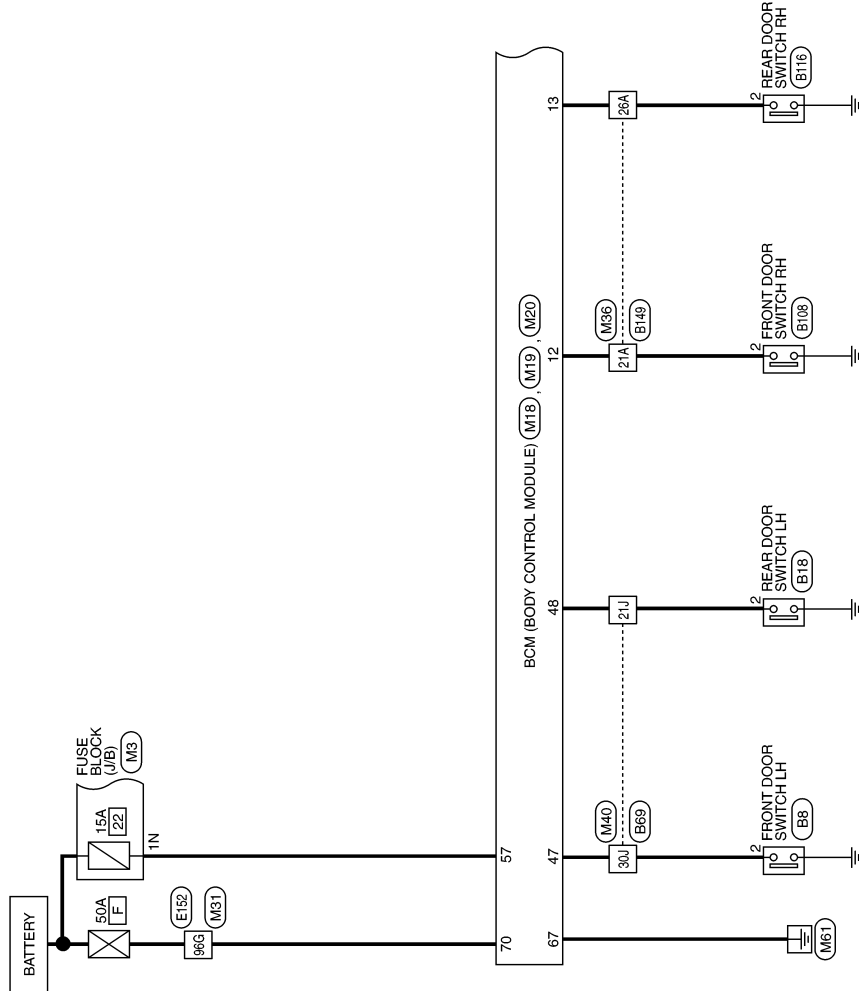
POWER DOOR LOCK SYSTEM

< WIRING DIAGRAM >

Wiring Diagram - Crew Cab

INFOID:000000011560147

POWER DOOR LOCK SYSTEM - CREW CAB

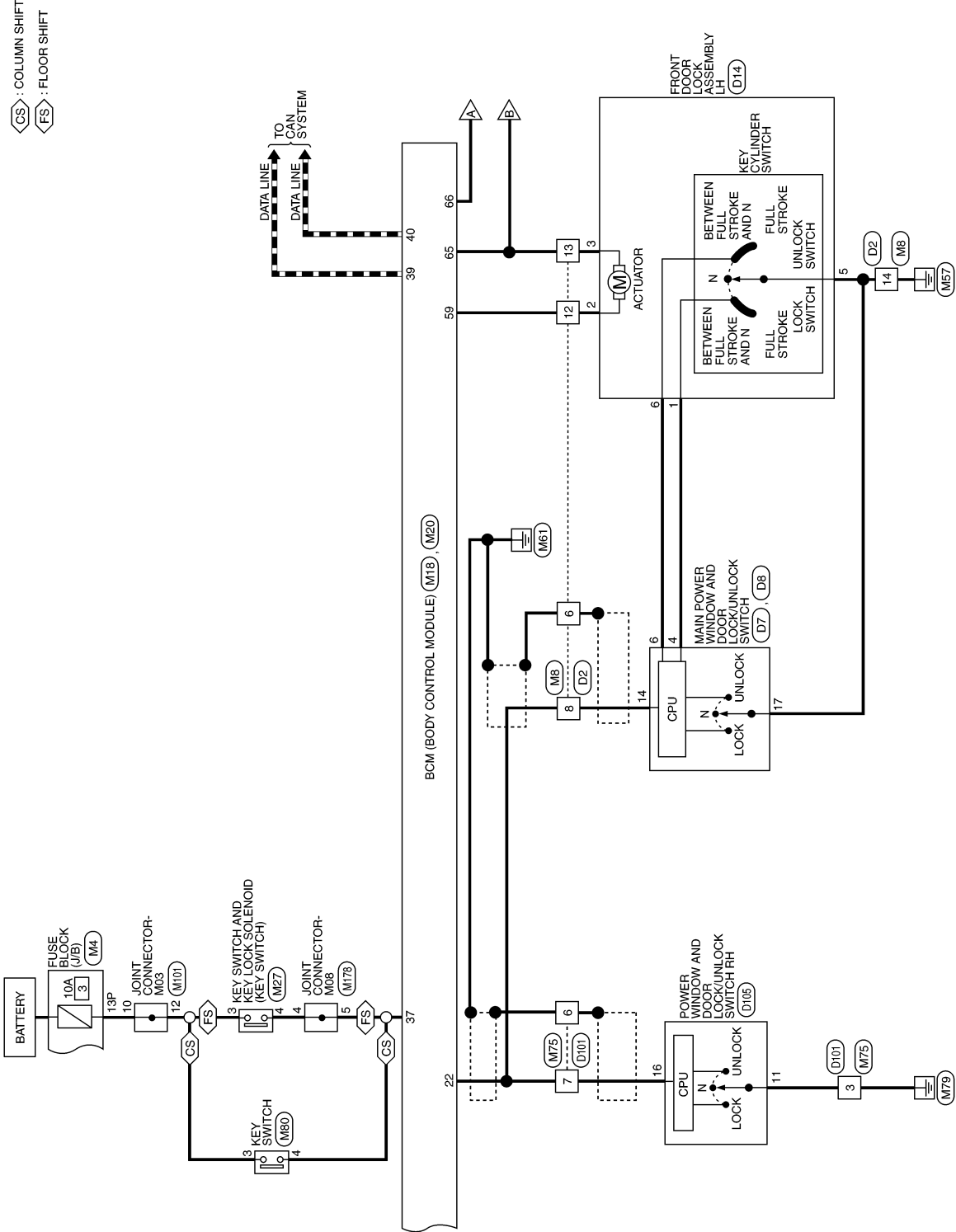


A
B
C
D
E
F
G
H
I
J
DLK
L
M
N
O
P

ABKWA2559GB

POWER DOOR LOCK SYSTEM

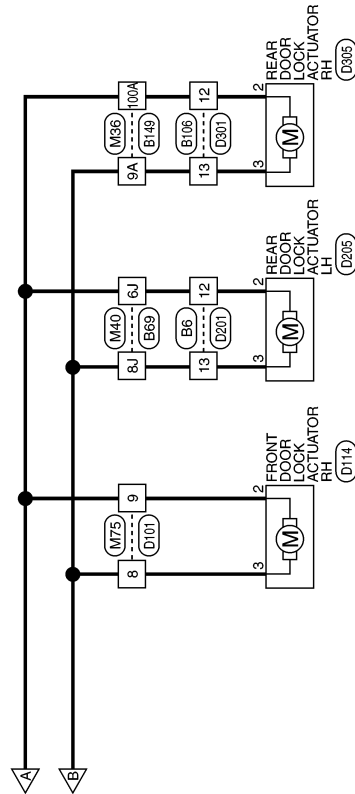
< WIRING DIAGRAM >



ABKWA2560GB

POWER DOOR LOCK SYSTEM

< WIRING DIAGRAM >



A
B
C
D
E
F
G
H
I
J
L
M
N
O
P

DLK

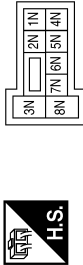
ABKWA2561GB

POWER DOOR LOCK SYSTEM

< WIRING DIAGRAM >

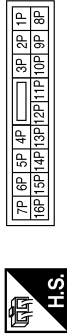
POWER DOOR LOCK SYSTEM CONNECTORS - CREW CAB

Connector No.	M3
Connector Name	FUSE BLOCK (J/B)
Connector Color	WHITE



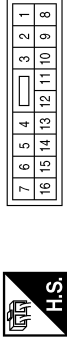
Terminal No.	Color of Wire	Signal Name
1N	Y/R	-

Connector No.	M4
Connector Name	FUSE BLOCK (J/B)
Connector Color	WHITE



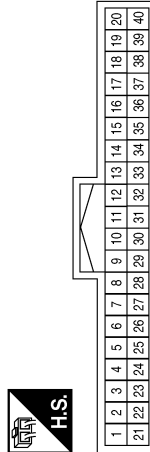
Terminal No.	Color of Wire	Signal Name
13P	P	-

Connector No.	M8
Connector Name	WIRE TO WIRE
Connector Color	WHITE



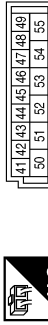
Terminal No.	Color of Wire	Signal Name
6	SHIELD	-
8	G	-
12	G	-
13	V	-
14	B	-

Connector No.	M18
Connector Name	BCM (BODY CONTROL MODULE)
Connector Color	WHITE



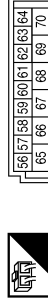
Terminal No.	Color of Wire	Signal Name
12	R/L	DOOR SW (AS)
13	GR	DOOR SW (RR)
22	G	ANTI-PINCH SERIAL LINK (FX, TX)
37	B/R	KEY SW
39	L	CAN-H
40	P	CAN-L

Connector No.	M19
Connector Name	BCM (BODY CONTROL MODULE)
Connector Color	WHITE



Terminal No.	Color of Wire	Signal Name
47	SB	DOOR SW (DR)
48	R/Y	DOOR SW (RL)

Connector No.	M20
Connector Name	BCM (BODY CONTROL MODULE)
Connector Color	BLACK

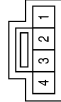


Terminal No.	Color of Wire	Signal Name
57	Y/R	BAT (FUSE)
59	G	DOOR UNLOCK OUTPUT (DR)
65	V	DOOR LOCK OUTPUT (ALL)
66	G/Y	DOOR UNLOCK OUTPUT (OTHER)
67	B	GND (POWER)
70	W/B	BAT (F/L)

POWER DOOR LOCK SYSTEM

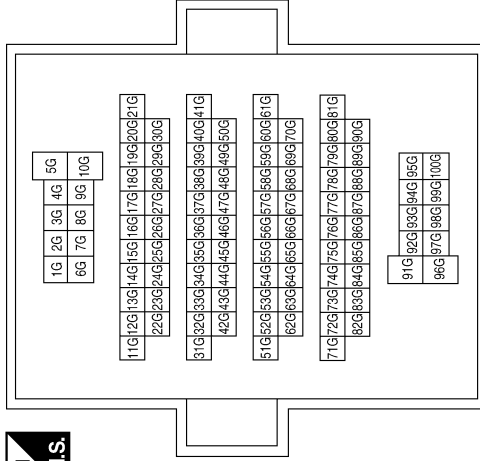
< WIRING DIAGRAM >

Connector No.	M27
Connector Name	KEY SWITCH AND KEY LOCK SOLENOID
Connector Color	WHITE



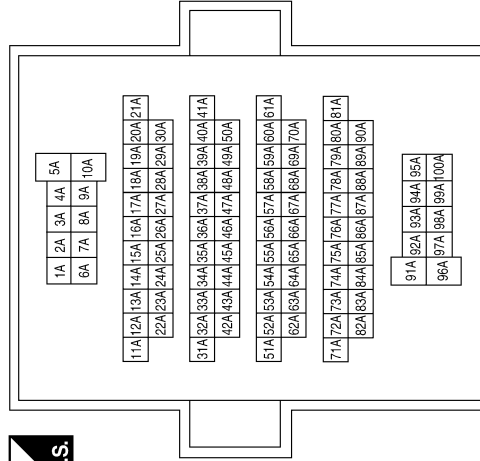
Terminal No.	Color of Wire	Signal Name
3	P	-
4	B/R	-

Connector No.	M31
Connector Name	WIRE TO WIRE
Connector Color	WHITE



Terminal No.	Color of Wire	Signal Name
96G	W/B	-

Connector No.	M36
Connector Name	WIRE TO WIRE
Connector Color	WHITE



Terminal No.	Color of Wire	Signal Name
9A	V	-
21A	R/L	-
26A	GR	-
100A	G/Y	-

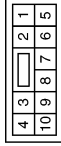
A
B
C
D
E
F
G
H
I
J
L
M
N
O
P

DLK

POWER DOOR LOCK SYSTEM

< WIRING DIAGRAM >

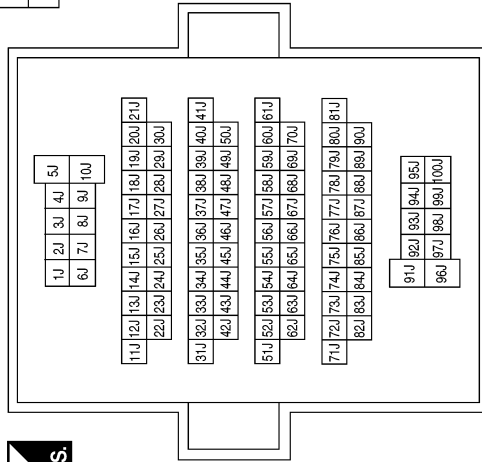
Connector No.	M75
Connector Name	WIRE TO WIRE
Connector Color	WHITE



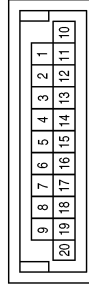
Terminal No.	Color of Wire	Signal Name
3	B	-
6	SHIELD	-
7	W/V	-
8	V	-
9	G/Y	-

Terminal No.	Color of Wire	Signal Name
6J	G/Y	-
8J	V	-
21J	R/Y	-
30J	SB	-

Connector No.	M40
Connector Name	WIRE TO WIRE
Connector Color	WHITE

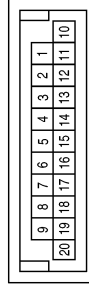


Connector No.	M178
Connector Name	JOINT CONNECTOR-M08
Connector Color	WHITE



Terminal No.	Color of Wire	Signal Name
4	B/R	-
5	B/R	-

Connector No.	M101
Connector Name	JOINT CONNECTOR-M03
Connector Color	BLUE



Terminal No.	Color of Wire	Signal Name
10	P	-
12	P	-

Connector No.	M80
Connector Name	KEY SWITCH
Connector Color	WHITE



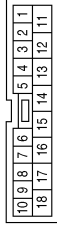
Terminal No.	Color of Wire	Signal Name
3	P	-
4	B/R	-

AAKIA2767GB

POWER DOOR LOCK SYSTEM

< WIRING DIAGRAM >

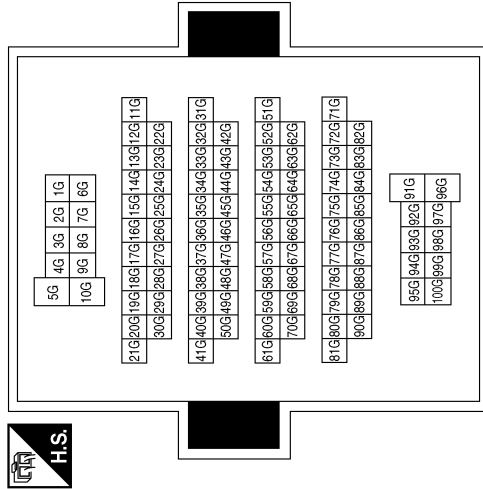
Connector No.	B6
Connector Name	WIRE TO WIRE
Connector Color	WHITE



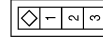
Terminal No.	Color of Wire	Signal Name
12	G/Y	-
13	V	-

Terminal No.	Color of Wire	Signal Name
96G	W/B	-

Connector No.	E152
Connector Name	WIRE TO WIRE
Connector Color	WHITE

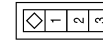


Connector No.	B18
Connector Name	REAR DOOR SWITCH LH
Connector Color	WHITE



Terminal No.	Color of Wire	Signal Name
2	R/Y	-

Connector No.	B8
Connector Name	FRONT DOOR SWITCH LH
Connector Color	WHITE



Terminal No.	Color of Wire	Signal Name
2	SB	-

ABKIA5851GB

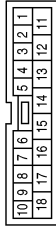
A
B
C
D
E
F
G
H
I
J
L
M
N
O
P

DLK

POWER DOOR LOCK SYSTEM

< WIRING DIAGRAM >

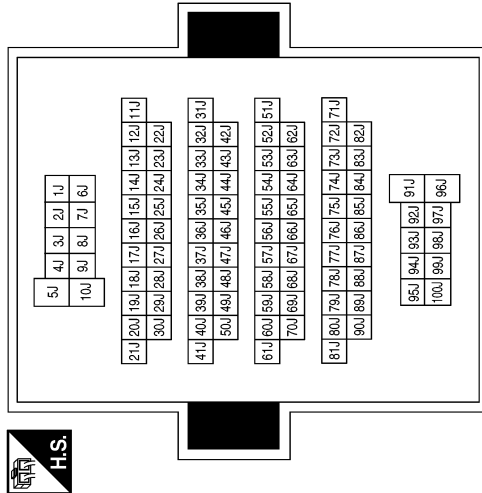
Connector No.	B106
Connector Name	WIRE TO WIRE
Connector Color	WHITE



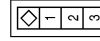
Terminal No.	Color of Wire	Signal Name
12	G/Y	-
13	V	-

Terminal No.	Color of Wire	Signal Name
6J	G/Y	-
8J	V	-
21J	R/Y	-
30J	SB	-

Connector No.	B69
Connector Name	WIRE TO WIRE
Connector Color	WHITE

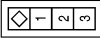


Connector No.	B116
Connector Name	REAR DOOR SWITCH RH
Connector Color	WHITE



Terminal No.	Color of Wire	Signal Name
2	GR	-

Connector No.	B108
Connector Name	FRONT DOOR SWITCH RH
Connector Color	WHITE



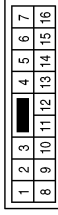
Terminal No.	Color of Wire	Signal Name
2	R/L	-

ABKIA5852GB

POWER DOOR LOCK SYSTEM

< WIRING DIAGRAM >

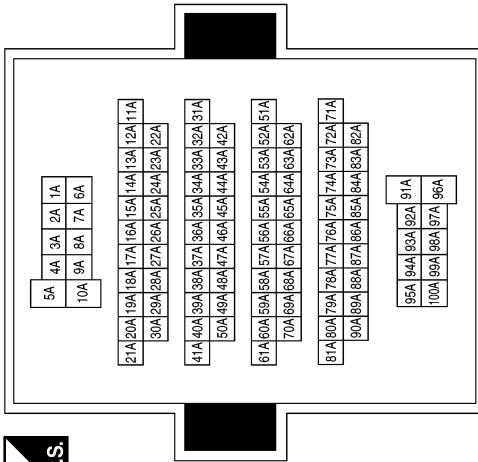
Connector No.	D2
Connector Name	WIRE TO WIRE
Connector Color	WHITE



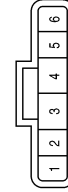
Terminal No.	Color of Wire	Signal Name
6	SHIELD	-
8	LG/W	-
12	G	-
13	V	-
14	B	-

Terminal No.	Color of Wire	Signal Name
9A	V	-
21A	R/L	-
26A	GR	-
100A	G/Y	-

Connector No.	B149
Connector Name	WIRE TO WIRE
Connector Color	WHITE

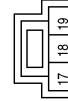


Connector No.	D14
Connector Name	FRONT DOOR LOCK ASSEMBLY LH
Connector Color	BLACK



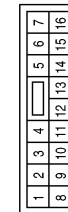
Terminal No.	Color of Wire	Signal Name
1	L	-
2	G	-
3	V	-
5	B	-
6	R	-

Connector No.	D8
Connector Name	MAIN POWER WINDOW AND DOOR LOCK/UNLOCK SWITCH (CREW CAB)
Connector Color	WHITE



Terminal No.	Color of Wire	Signal Name
17	B	GND

Connector No.	D7
Connector Name	MAIN POWER WINDOW AND DOOR LOCK/UNLOCK SWITCH (CREW CAB)
Connector Color	WHITE



Terminal No.	Color of Wire	Signal Name
4	L	KEY CYLINDER LOCK
6	R	KEY CYLINDER UNLOCK
14	LG/W	COMMUNICATION

ABKIA5853GB

A
B
C
D
E
F
G
H
I
J
K
L
M
N
O
P

DLK

POWER DOOR LOCK SYSTEM

< WIRING DIAGRAM >

Connector No.	D114
Connector Name	FRONT DOOR LOCK ACTUATOR RH
Connector Color	BLACK



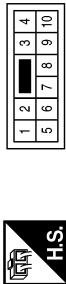
Terminal No.	Color of Wire	Signal Name
2	G/Y	-
3	V	-

Connector No.	D105
Connector Name	POWER WINDOW AND DOOR LOCK/UNLOCK SWITCH RH
Connector Color	WHITE



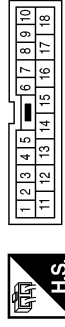
Terminal No.	Color of Wire	Signal Name
11	B	GND
16	LG/W	COMMUNICATION

Connector No.	D101
Connector Name	WIRE TO WIRE
Connector Color	WHITE



Terminal No.	Color of Wire	Signal Name
3	B	-
6	SHIELD	-
7	LG/W	-
8	V	-
9	G/Y	-

Connector No.	D301
Connector Name	WIRE TO WIRE
Connector Color	WHITE



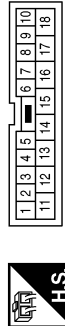
Terminal No.	Color of Wire	Signal Name
12	G/Y	-
13	V	-

Connector No.	D205
Connector Name	REAR DOOR LOCK ACTUATOR LH
Connector Color	BLACK



Terminal No.	Color of Wire	Signal Name
2	G/Y	-
3	V	-

Connector No.	D201
Connector Name	WIRE TO WIRE
Connector Color	WHITE



Terminal No.	Color of Wire	Signal Name
12	G/Y	-
13	V	-

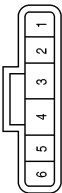
ABKIA5854GB

POWER DOOR LOCK SYSTEM

< WIRING DIAGRAM >

A
B
C
D
E
F
G
H
I
J
DLK
L
M
N
O
P

Connector No.	D305
Connector Name	REAR DOOR LOCK ACTUATOR RH
Connector Color	BLACK



Terminal No.	Color of Wire	Signal Name
2	G/Y	-
3	V	-

ABKIA5855GB

REMOTE KEYLESS ENTRY SYSTEM

< WIRING DIAGRAM >

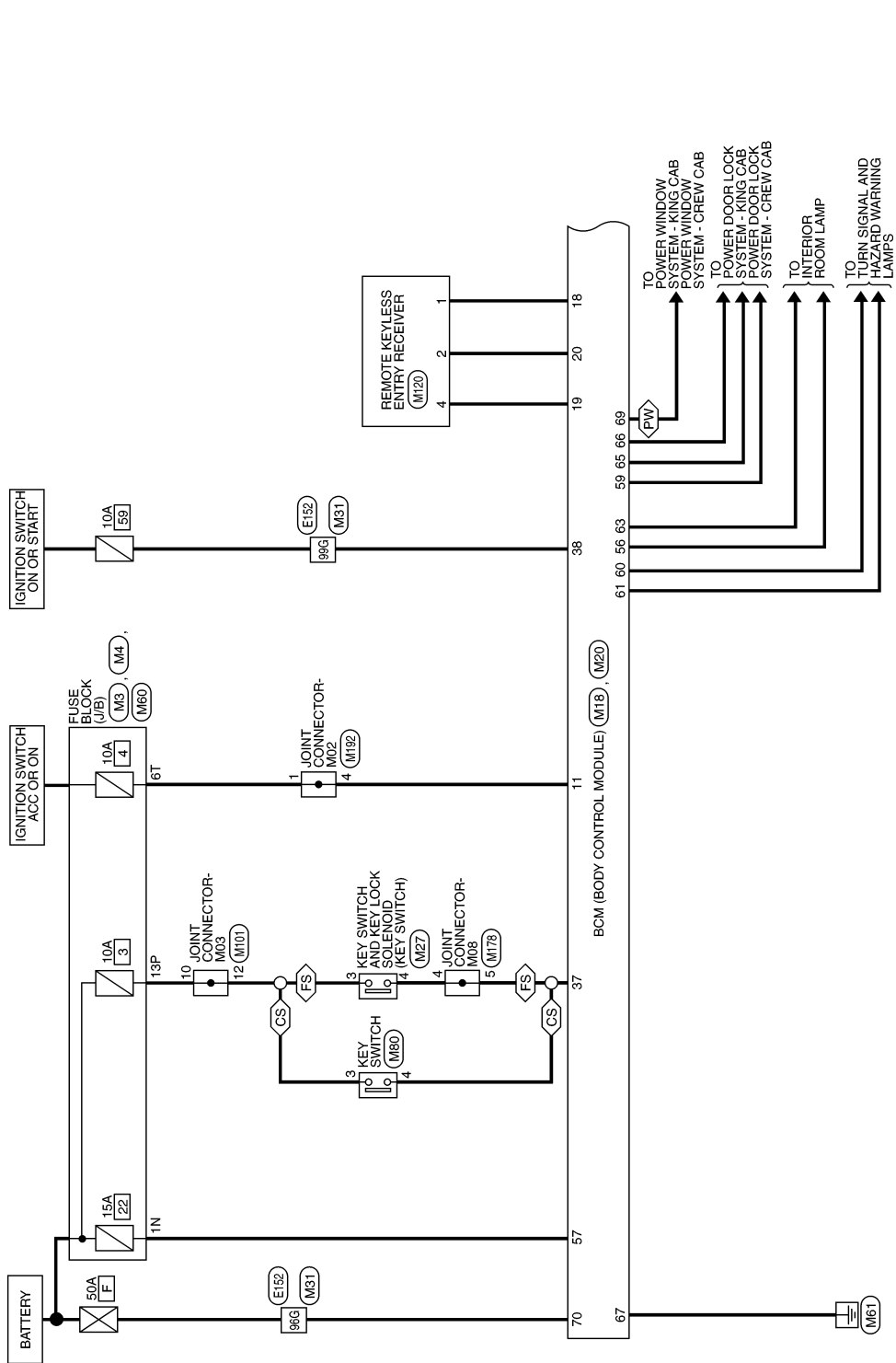
REMOTE KEYLESS ENTRY SYSTEM

Wiring Diagram

INFOID:000000011560148

- : COLUMN SHIFT
- : FLOOR SHIFT
- : WITH POWER WINDOWS

REMOTE KEYLESS ENTRY SYSTEM

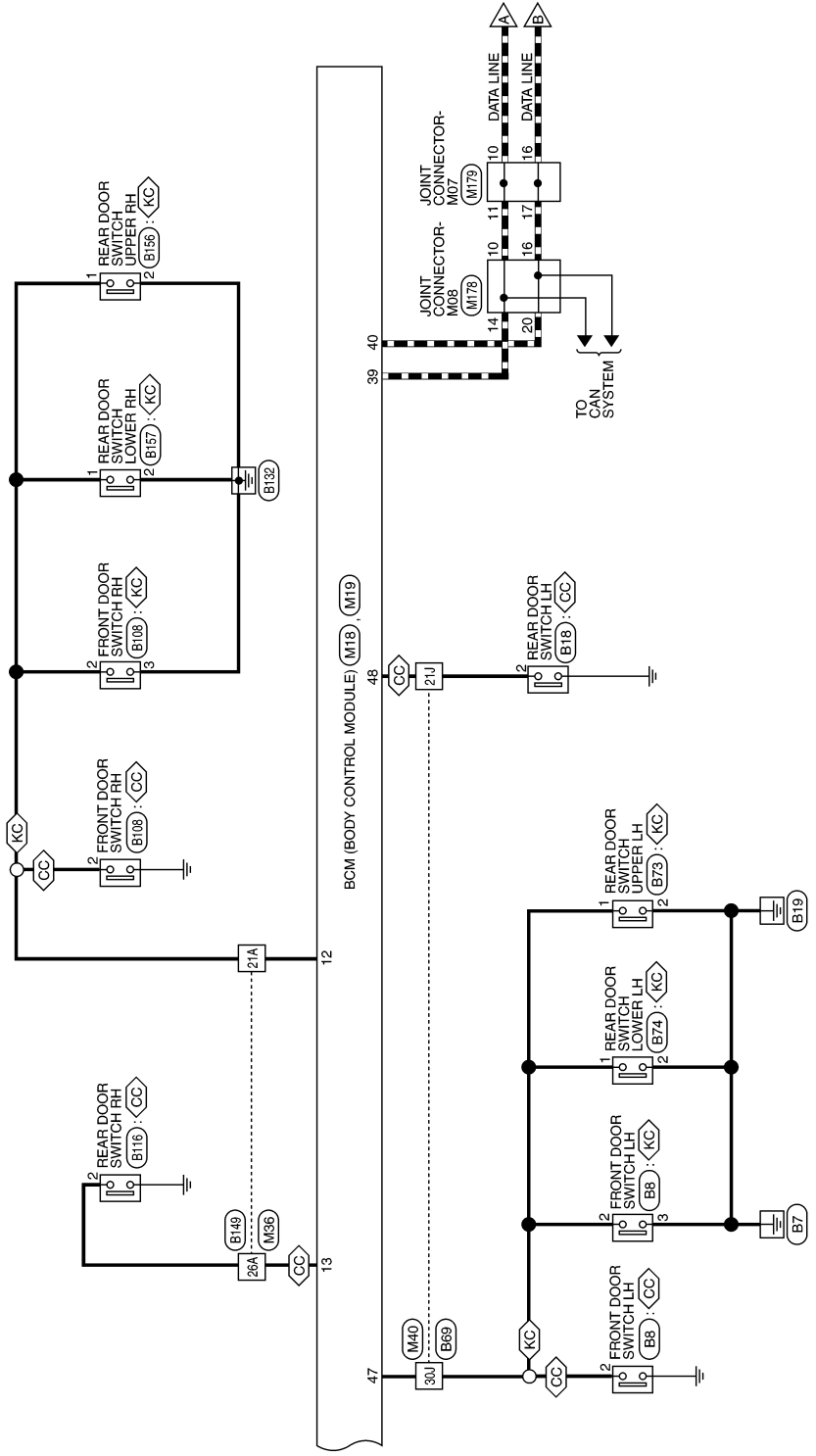


AAKWA1167GB

REMOTE KEYLESS ENTRY SYSTEM

< WIRING DIAGRAM >

CC : CREW CAB
KC : KING CAB

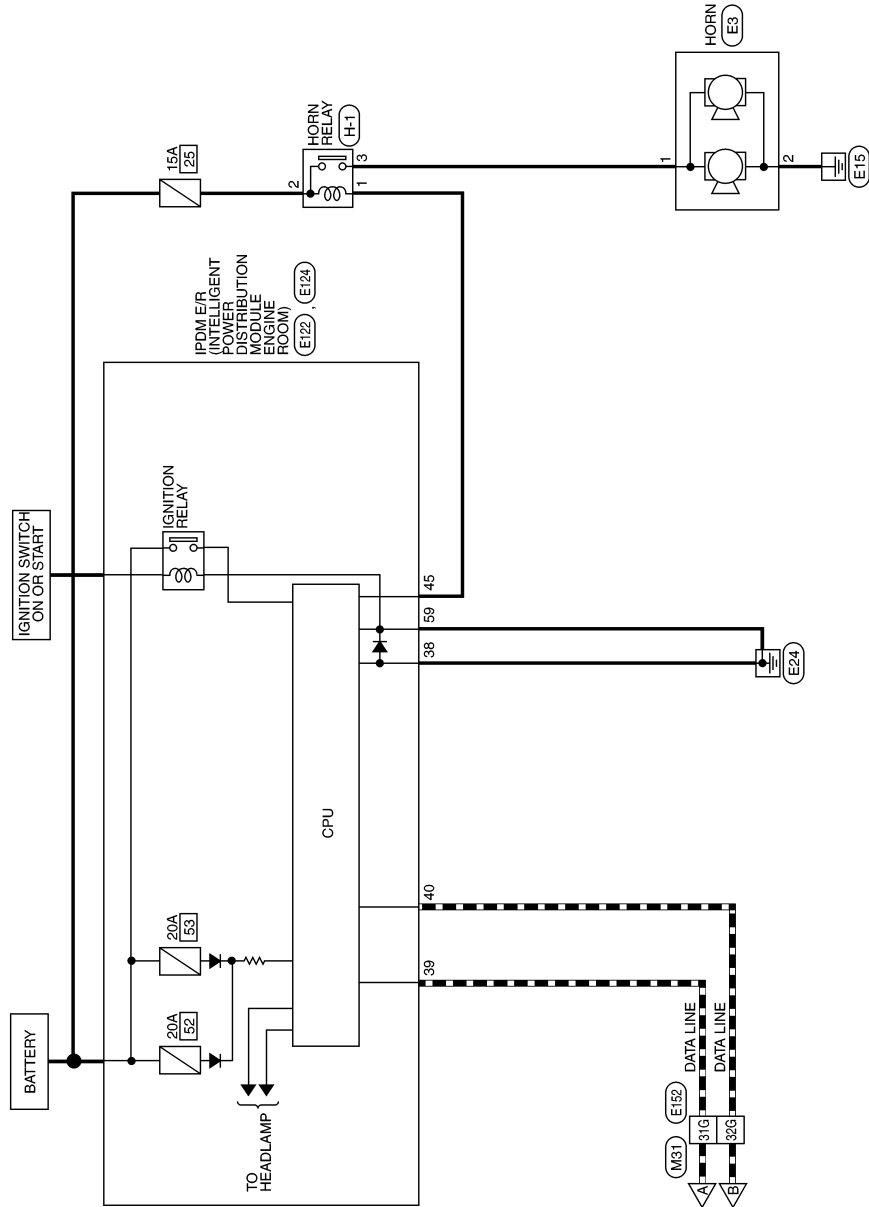


ABKWA2556GB

A
B
C
D
E
F
G
H
I
J
DLK
L
M
N
O
P

REMOTE KEYLESS ENTRY SYSTEM

< WIRING DIAGRAM >



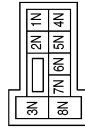
AAKWA1168GB

REMOTE KEYLESS ENTRY SYSTEM

< WIRING DIAGRAM >

REMOTE KEYLESS ENTRY SYSTEM CONNECTORS

Connector No.	M3
Connector Name	FUSE BLOCK (J/B)
Connector Color	WHITE



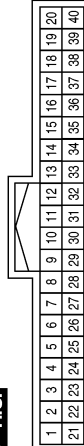
Terminal No.	1N	Y/R	Color of Wire	Signal Name	-
--------------	----	-----	---------------	-------------	---

Connector No.	M4
Connector Name	FUSE BLOCK (J/B)
Connector Color	WHITE



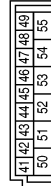
Terminal No.	13P	P	Color of Wire	Signal Name	-
--------------	-----	---	---------------	-------------	---

Connector No.	M18
Connector Name	BCM (BODY CONTROL MODULE)
Connector Color	WHITE



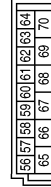
Terminal No.	Color of Wire	Signal Name
11	O	ACC SW
12	R/L	DOOR SW (AS)
13	GR	DOOR SW (RR)
18	P	KEYLESS AND AUTO LIGHT SENSOR GND
19	V/W	KEYLESS TUNER POWER SUPPLY OUTPUT
20	G/W	KEYLESS TUNER SIGNAL
37	B/R	KEY SW
38	W/L	IGN SW
39	L	CAN-H
40	P	CAN-L

Connector No.	M19
Connector Name	BCM (BODY CONTROL MODULE)
Connector Color	WHITE



Terminal No.	Color of Wire	Signal Name
47	SB	DOOR SW (DR)
48	R/Y	DOOR SW (RL)

Connector No.	M20
Connector Name	BCM (BODY CONTROL MODULE)
Connector Color	BLACK



Terminal No.	Color of Wire	Signal Name
56	R/G	BATTERY SAVER OUTPUT
57	Y/R	BAT (FUSE)
59	G	DOOR UNLOCK OUTPUT (DR)
60	G/B	FLASHER OUTPUT (LEFT)
61	G/Y	FLASHER OUTPUT (RIGHT)
63	L	ROOM LAMP OUTPUT
65	V	DOOR LOCK OUTPUT (ALL)
66	G/Y	DOOR UNLOCK OUTPUT (OTHER)
67	B	GND (POWER)
69	W/R	POWER WINDOW POWER SUPPLY (BAT)
70	W/B	BAT (F/L)

AAKIA2768GB

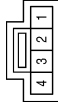
A B C D E F G H I J L M N O P

DLK

REMOTE KEYLESS ENTRY SYSTEM

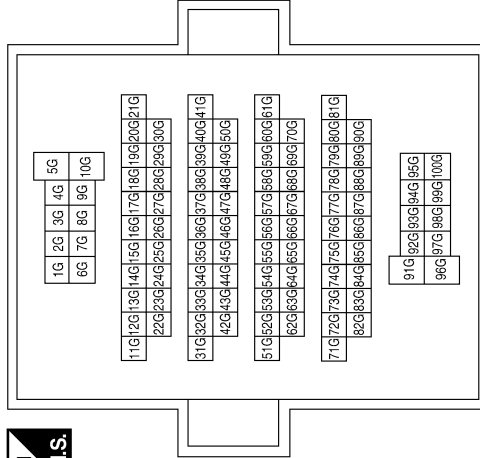
< WIRING DIAGRAM >

Connector No.	M27
Connector Name	KEY SWITCH AND KEY LOCK SOLENOID
Connector Color	WHITE



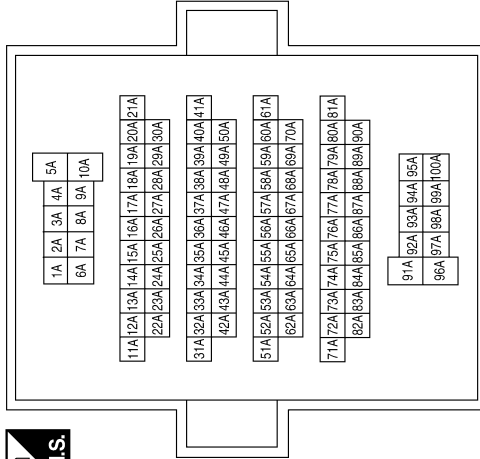
Terminal No.	Color of Wire	Signal Name
3	P	-
4	B/R	-

Connector No.	M31
Connector Name	WIRE TO WIRE
Connector Color	WHITE



Terminal No.	Color of Wire	Signal Name
31G	L	-
32G	P	-
96G	W/B	-
99G	W/L	-

Connector No.	M36
Connector Name	WIRE TO WIRE
Connector Color	WHITE

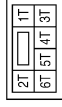


Terminal No.	Color of Wire	Signal Name
21A	R/L	-
26A	GR	-

REMOTE KEYLESS ENTRY SYSTEM

< WIRING DIAGRAM >

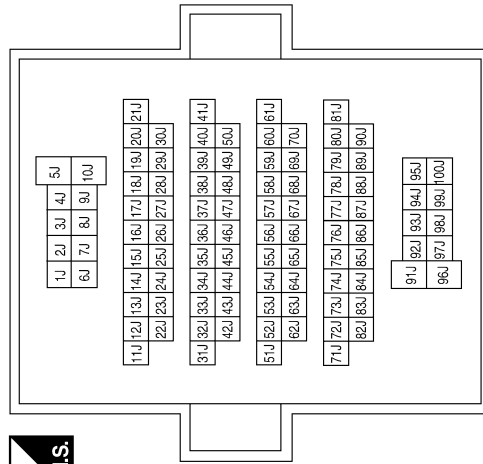
Connector No.	M60
Connector Name	FUSE BLOCK (J/B)
Connector Color	WHITE



Terminal No.	Color of Wire	Signal Name
6T	O	-

Terminal No.	Color of Wire	Signal Name
21J	R/Y	-
30J	SB	-

Connector No.	M40
Connector Name	WIRE TO WIRE
Connector Color	WHITE

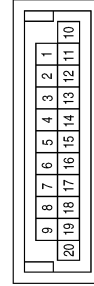


Connector No.	M120
Connector Name	REMOTE KEYLESS ENTRY RECEIVER
Connector Color	WHITE



Terminal No.	Color of Wire	Signal Name
1	P	-
2	G/W	-
4	V/W	-

Connector No.	M101
Connector Name	JOINT CONNECTOR-M03
Connector Color	BLUE



Terminal No.	Color of Wire	Signal Name
10	P	-
12	P	-

Connector No.	M80
Connector Name	KEY SWITCH
Connector Color	WHITE



Terminal No.	Color of Wire	Signal Name
3	P	-
4	B/R	-

ABKIA4062GB

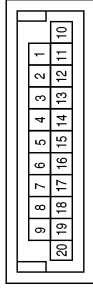
A B C D E F G H I J L M N O P

DLK

REMOTE KEYLESS ENTRY SYSTEM

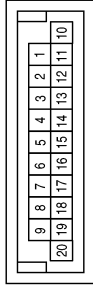
< WIRING DIAGRAM >

Connector No.	M192
Connector Name	JOINT CONNECTOR-M02
Connector Color	GREEN



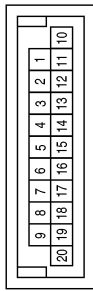
Terminal No.	Color of Wire	Signal Name
1	O	-
4	O	-

Connector No.	M179
Connector Name	JOINT CONNECTOR-M07
Connector Color	WHITE



Terminal No.	Color of Wire	Signal Name
10	L	-
11	L	-
16	P	-
17	P	-

Connector No.	M178
Connector Name	JOINT CONNECTOR-M08
Connector Color	WHITE



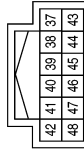
Terminal No.	Color of Wire	Signal Name
4	B/R	-
5	B/R	-
10	L	-
14	L	-
16	P	-
20	P	-

Connector No.	E124
Connector Name	IPDM E/R (INTELLIGENT POWER DISTRIBUTION MODULE ENGINE ROOM)
Connector Color	BLACK



Terminal No.	Color of Wire	Signal Name
59	B	GND (POWER)

Connector No.	E122
Connector Name	IPDM E/R (INTELLIGENT POWER DISTRIBUTION MODULE ENGINE ROOM)
Connector Color	WHITE



Terminal No.	Color of Wire	Signal Name
38	B	GND (SIGNAL)
39	L	CAN-H
40	P	CAN-L
45	G/W	ANTI THEFT HORN

Connector No.	E3
Connector Name	HORN
Connector Color	BLACK



Terminal No.	Color of Wire	Signal Name
1	G	-
2	B	-

AAKIA2769GB

REMOTE KEYLESS ENTRY SYSTEM

< WIRING DIAGRAM >

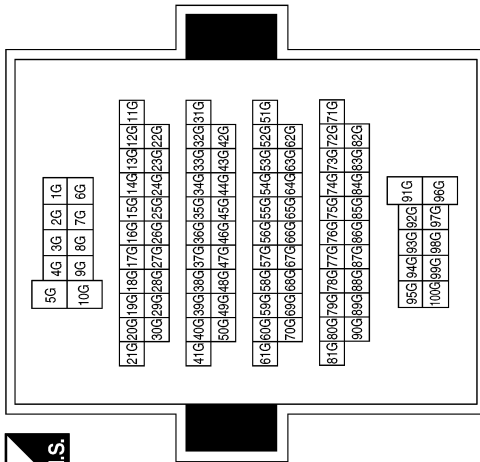
Connector No.	B8
Connector Name	FRONT DOOR SWITCH LH
Connector Color	WHITE



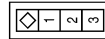
Terminal No.	Color of Wire	Signal Name
2	SB	-
3	B	-

Terminal No.	Color of Wire	Signal Name
31G	L	-
32G	P	-
96G	W/B	-
99G	L/W	-

Connector No.	E152
Connector Name	WIRE TO WIRE
Connector Color	WHITE



Connector No.	B18
Connector Name	REAR DOOR SWITCH LH
Connector Color	WHITE



Terminal No.	Color of Wire	Signal Name
2	R/Y	-

ABKIA5844GB

A
B
C
D
E
F
G
H
I
J
DLK
L
M
N
O
P

REMOTE KEYLESS ENTRY SYSTEM

< WIRING DIAGRAM >

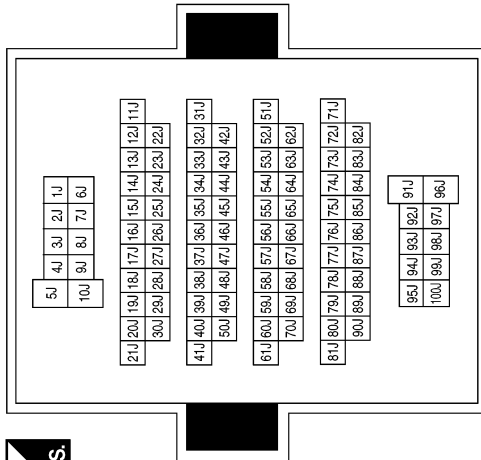
Connector No.	B73
Connector Name	REAR DOOR SWITCH UPPER LH
Connector Color	BLACK



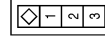
Terminal No.	Color of Wire	Signal Name
1	SB	-
2	B	-

Terminal No.	Color of Wire	Signal Name
21J	R/Y	-
30J	SB	-

Connector No.	B69
Connector Name	WIRE TO WIRE
Connector Color	WHITE

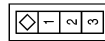


Connector No.	B116
Connector Name	REAR DOOR SWITCH RH
Connector Color	WHITE



Terminal No.	Color of Wire	Signal Name
2	GR	-

Connector No.	B108
Connector Name	FRONT DOOR SWITCH RH
Connector Color	WHITE



Terminal No.	Color of Wire	Signal Name
2	R/L	-
3	B	-

Connector No.	B74
Connector Name	REAR DOOR SWITCH LOWER LH
Connector Color	BLACK



Terminal No.	Color of Wire	Signal Name
1	SB	-
2	B	-

ABKIA5845GB

REMOTE KEYLESS ENTRY SYSTEM

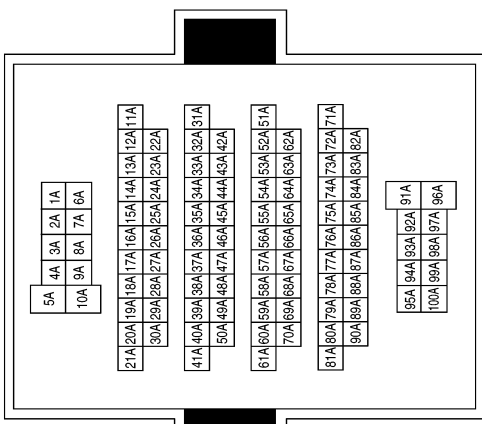
< WIRING DIAGRAM >

Connector No.	B156
Connector Name	REAR DOOR SWITCH UPPER RH
Connector Color	BLACK



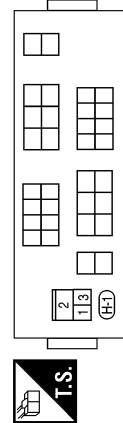
Terminal No.	Color of Wire	Signal Name
1	R/L	-
2	B	-

Terminal No.	Color of Wire	Signal Name
21A	R/L	-
26A	GR	-



Connector No.	B149
Connector Name	WIRE TO WIRE
Connector Color	WHITE

Connector No.	H-1
Connector Name	FUSE AND FUSIBLE LINK BOX (HORN RELAY)
Connector Color	-



Terminal No.	Color of Wire	Signal Name
1	R/W	-
2	G/B	-
3	G	-



Connector No.	B157
Connector Name	REAR DOOR SWITCH LOWER RH
Connector Color	BLACK



Terminal No.	Color of Wire	Signal Name
1	R/L	-
2	B	-

ABKIA5846GB

A
B
C
D
E
F
G
H
I
J
K
L
M
N
O
P

DLK

DOOR LOCK

< SYMPTOM DIAGNOSIS >

SYMPTOM DIAGNOSIS

DOOR LOCK

Symptom Table

INFOID:000000011560149

DOOR LOCK SYSTEM

NOTE:

- Before performing the diagnosis in the following table, check “Work flow”. Refer to [DLK-4, "Work Flow"](#).
- If the following symptoms are detected, check systems shown in the “Diagnosis/service procedure” column in this order.

Symptom	Repair order	Refer to page
Key reminder door function does not operate properly.	1a. Door switch check (king cab)	DLK-26
	1b. Door switch check (crew cab)	DLK-27
	2a. Key switch check (column shift)	DLK-41
	2b. Key switch and key lock solenoid (key switch) check (floor shift)	DLK-42
	3. Replace BCM.	BCS-56
Power door lock does not operate with door lock and unlock switch on main power window and door lock/unlock switch or power window and door lock/unlock switch RH.	1. Door lock/unlock switch check (driver side)	DLK-30 DLK-32
	2. Door lock/unlock switch check (passenger side)	DLK-30 DLK-32
Specific door lock actuator does not operate.	1. Door lock actuator check (Front LH)	DLK-44
	2. Door lock actuator check (Front RH)	DLK-45
	3. Door lock actuator check (Rear LH)	DLK-46
	4. Door lock actuator check (Rear RH)	DLK-46
Power door lock does not operate with front door key cylinder LH operation.	1. Front door lock assembly LH (key cylinder switch) check	DLK-36 DLK-38
	2. Replace BCM.	BCS-56
Power door lock does not operate.	1. BCM power supply and ground circuit check	BCS-31
	2. Door lock/unlock switch check	DLK-30

REMOTE KEYLESS ENTRY SYSTEM

< SYMPTOM DIAGNOSIS >

REMOTE KEYLESS ENTRY SYSTEM

Symptom Table

INFOID:0000000011560150

REMOTE KEYLESS ENTRY SYSTEM

Symptom	Diagnoses/service procedure	Reference page
All functions of remote keyless entry system do not operate.	1. Keyfob battery and function check (use Remote Keyless Entry Tester J-43241 or Signal Tech II Tool [- (J-50190)] NOTE: If the result of keyfob function check is OK, keyfob is not malfunctioning.	DLK-51
	2. Check BCM and remote keyless entry receiver.	DLK-48
The new ID of keyfob cannot be entered.	1. Keyfob battery and function check (use Remote Keyless Entry Tester J-43241 or Signal Tech II Tool J-50190) NOTE: If the result of keyfob function check is OK, keyfob is not malfunctioning.	DLK-51
	2a. Key switch check (column shift)	DLK-41
	2b. Key switch and key lock solenoid (key switch) check (floor shift)	DLK-42
	3a. Door switch check (king cab)	DLK-26
	3b. Door switch check (crew cab)	DLK-27
	4. ACC power check	BCS-31
	5. Replace BCM.	BCS-56
Door lock or unlock does not function. (If the power door lock system does not operate manually, check power door lock system)	1. Keyfob battery and function check (use Remote Keyless Entry Tester J-43241 or Signal Tech II Tool [- (J-50190)] NOTE: If the result of keyfob function check is OK, keyfob is not malfunctioning.	DLK-51
	2. Replace BCM.	BCS-56
Hazard and horn reminder does not activate properly when pressing lock or unlock button of keyfob.	1. Check hazard and horn reminder mode with CONSULT NOTE: Hazard and horn reminder mode can be changed. First check the hazard and horn reminder mode setting.	DLK-13
	2a. Door switch check (king cab)	DLK-26
	2b. Door switch check (crew cab)	DLK-27
	3. Replace BCM.	BCS-56
Hazard reminder does not activate properly when pressing lock or unlock button of keyfob. (Horn reminder OK)	1. Check hazard reminder mode with CONSULT NOTE: Hazard reminder mode can be changed. First check the hazard reminder mode setting.	DLK-13
	2. Check hazard function with hazard switch	—
	3. Replace BCM.	BCS-56
Horn reminder does not activate properly when pressing lock or unlock button of keyfob. (Hazard reminder OK)	1. Check horn reminder mode with CONSULT NOTE: Horn reminder mode can be changed. First check the horn reminder mode setting.	DLK-13
	2. Check horn function with horn switch	—
	3. IPDM E/R operation check	DLK-53
	4. Replace BCM.	BCS-56
Room lamp, ignition keyhole illumination and step lamp operation do not activate properly.	1. Room lamp operation check	—

REMOTE KEYLESS ENTRY SYSTEM

< SYMPTOM DIAGNOSIS >

Symptom	Diagnoses/service procedure	Reference page
	2. Ignition keyhole illumination operation check	—
	3. Step lamp operation check	—
	4a. Door switch check (king cab)	DLK-26
	4b. Door switch check (crew cab)	DLK-27
	5. Replace BCM.	BCS-56
Panic alarm (horn and headlamp) does not activate when panic alarm button is continuously pressed.	1. Keyfob battery and function check (use Remote Keyless Entry Tester J-43241 or Signal Tech II Tool [- (J-50190)] NOTE: If the result of keyfob function check is OK, keyfob is not malfunctioning.	DLK-51
	2a. Key switch check (column shift)	DLK-41
	2b. Key switch and key lock solenoid (key switch) check (floor shift)	DLK-42
	3. Replace BCM.	BCS-56
Auto door lock operation does not activate properly. (All other remote keyless entry functions OK.)	1. Check auto door lock operation mode with CONSULT NOTE: Auto door lock operation mode can be changed. First check the auto door lock operation mode setting.	DLK-11
	2. Replace BCM.	BCS-56
Keyless power window down (open) operation does not activate properly. (All other remote keyless entry functions OK.)	1. Check power window down operation mode with CONSULT NOTE: Power window down operation mode can be changed. First check the power window down operation mode setting.	—
	2. Check power window function with switch	—
	3. Replace BCM.	BCS-56

HOMELINK UNIVERSAL TRANSCEIVER

< SYMPTOM DIAGNOSIS >

HOMELINK UNIVERSAL TRANSCEIVER

Symptom Table

INFOID:000000011560151

HOMELINK UNIVERSAL TRANSCEIVER MALFUNCTION

Symptom	Diagnosis/service procedure	Reference page
Homelink universal transceiver does not operate properly.	1. Check homelink universal transceiver function.	DLK-62
	2. Check Intermittent Incident.	GI-44

A
B
C
D
E
F
G
H
I
J
L
M
N
O
P

DLK

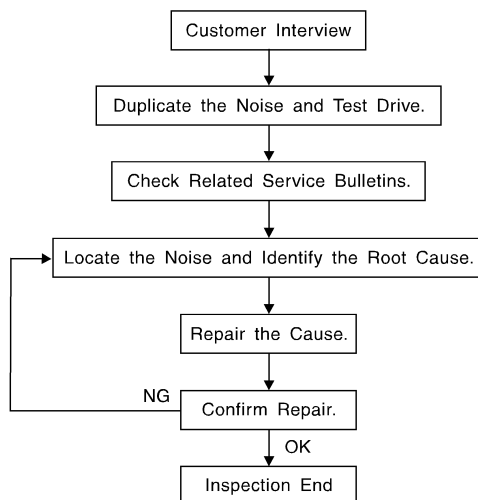
SQUEAK AND RATTLE TROUBLE DIAGNOSES

< SYMPTOM DIAGNOSIS >

SQUEAK AND RATTLE TROUBLE DIAGNOSES

Work Flow

INFOID:000000011560152



SBT842

CUSTOMER INTERVIEW

Interview the customer if possible, to determine the conditions that exist when the noise occurs. Use the Diagnostic Worksheet during the interview to document the facts and conditions when the noise occurs and any customer's comments; refer to [DLK-114, "Diagnostic Worksheet"](#). This information is necessary to duplicate the conditions that exist when the noise occurs.

- The customer may not be able to provide a detailed description or the location of the noise. Attempt to obtain all the facts and conditions that exist when the noise occurs (or does not occur).
- If there is more than one noise in the vehicle, be sure to diagnose and repair the noise that the customer is concerned about. This can be accomplished by test driving the vehicle with the customer.
- After identifying the type of noise, isolate the noise in terms of its characteristics. The noise characteristics are provided so the customer, service adviser and technician are all speaking the same language when defining the noise.
- Squeak —(Like tennis shoes on a clean floor)
Squeak characteristics include the light contact/fast movement/brought on by road conditions/hard surfaces = higher pitch noise/softer surfaces = lower pitch noises/edge to surface = chirping.
- Creak—(Like walking on an old wooden floor)
Creak characteristics include firm contact/slow movement/twisting with a rotational movement/pitch dependent on materials/often brought on by activity.
- Rattle—(Like shaking a baby rattle)
Rattle characteristics include the fast repeated contact/vibration or similar movement/loose parts/missing clip or fastener/incorrect clearance.
- Knock —(Like a knock on a door)
Knock characteristics include hollow sounding/sometimes repeating/often brought on by driver action.
- Tick—(Like a clock second hand)
Tick characteristics include gentle contacting of light materials/loose components/can be caused by driver action or road conditions.
- Thump—(Heavy, muffled knock noise)
Thump characteristics include softer knock/dead sound often brought on by activity.
- Buzz—(Like a bumble bee)
Buzz characteristics include high frequency rattle/firm contact.
- Often the degree of acceptable noise level will vary depending upon the person. A noise that you may judge as acceptable may be very irritating to the customer.
- Weather conditions, especially humidity and temperature, may have a great effect on noise level.

DUPLICATE THE NOISE AND TEST DRIVE

If possible, drive the vehicle with the customer until the noise is duplicated. Note any additional information on the Diagnostic Worksheet regarding the conditions or location of the noise. This information can be used to duplicate the same conditions when you confirm the repair.

SQUEAK AND RATTLE TROUBLE DIAGNOSES

< SYMPTOM DIAGNOSIS >

If the noise can be duplicated easily during the test drive, to help identify the source of the noise, try to duplicate the noise with the vehicle stopped by doing one or all of the following:

- 1) Close a door.
 - 2) Tap or push/pull around the area where the noise appears to be coming from.
 - 3) Rev the engine.
 - 4) Use a floor jack to recreate vehicle "twist".
 - 5) At idle, apply engine load (electrical load, half-clutch on M/T model, drive position on CVT and A/T models).
 - 6) Raise the vehicle on a hoist and hit a tire with a rubber hammer.
- Drive the vehicle and attempt to duplicate the conditions the customer states exist when the noise occurs.
 - If it is difficult to duplicate the noise, drive the vehicle slowly on an undulating or rough road to stress the vehicle body.

CHECK RELATED SERVICE BULLETINS

After verifying the customer concern or symptom, check ASIST for Technical Service Bulletins (TSBs) related to that concern or symptom.

If a TSB relates to the symptom, follow the procedure to repair the noise.

LOCATE THE NOISE AND IDENTIFY THE ROOT CAUSE

1. Narrow down the noise to a general area. To help pinpoint the source of the noise, use a listening tool (Chassis Ear: J-39570, Engine Ear: J-39565 and mechanic's stethoscope).
2. Narrow down the noise to a more specific area and identify the cause of the noise by:
 - removing the components in the area that you suspect the noise is coming from.
Do not use too much force when removing clips and fasteners, otherwise clips and fasteners can be broken or lost during the repair, resulting in the creation of new noise.
 - tapping or pushing/pulling the component that you suspect is causing the noise.
Do not tap or push/pull the component with excessive force, otherwise the noise will be eliminated only temporarily.
 - feeling for a vibration with your hand by touching the component(s) that you suspect is (are) causing the noise.
 - placing a piece of paper between components that you suspect are causing the noise.
 - looking for loose components and contact marks.Refer to [DLK-111. "Generic Squeak and Rattle Troubleshooting"](#).

REPAIR THE CAUSE

- If the cause is a loose component, tighten the component securely.
- If the cause is insufficient clearance between components:
 - separate components by repositioning or loosening and retightening the component, if possible.
 - insulate components with a suitable insulator such as urethane pads, foam blocks, felt cloth tape or urethane tape. A NISSAN Squeak and Rattle Kit (J-50397) is available through your authorized NISSAN Parts Department.

CAUTION:

Do not use excessive force as many components are constructed of plastic and may be damaged.

NOTE:

- Always check with the Parts Department for the latest parts information.
- The materials contained in the NISSAN Squeak and Rattle Kit (J-50397) are listed on the inside cover of the kit; and can each be ordered separately as needed.
- The following materials not found in the kit can also be used to repair squeaks and rattles.
 - SILICONE GREASE: Use instead of UHMW tape that will be visible or does not fit. The silicone grease will only last a few months.
 - SILICONE SPRAY: Use when grease cannot be applied.
 - DUCT TAPE: Use to eliminate movement.

CONFIRM THE REPAIR

Confirm that the cause of a noise is repaired by test driving the vehicle. Operate the vehicle under the same conditions as when the noise originally occurred. Refer to the notes on the Diagnostic Worksheet.

Generic Squeak and Rattle Troubleshooting

INFOID:000000011560153

Refer to Table of Contents for specific component removal and installation information.

INSTRUMENT PANEL

Most incidents are caused by contact and movement between:

SQUEAK AND RATTLE TROUBLE DIAGNOSES

< SYMPTOM DIAGNOSIS >

1. Cluster lid A and the instrument panel
2. Acrylic lens and combination meter housing
3. Instrument panel to front pillar finisher
4. Instrument panel to windshield
5. Instrument panel pins
6. Wiring harnesses behind the combination meter
7. A/C defroster duct and duct joint

These incidents can usually be located by tapping or moving the components to duplicate the noise or by pressing on the components while driving to stop the noise. Most of these incidents can be repaired by applying felt cloth tape or silicone spray (in hard to reach areas). Urethane pads can be used to insulate wiring harness.

CAUTION:

Do not use silicone spray to isolate a squeak or rattle. If you saturate the area with silicone, you will not be able to recheck the repair.

CENTER CONSOLE

Components to pay attention to include:

1. Shift selector assembly cover to finisher
2. A/C control unit and cluster lid C
3. Wiring harnesses behind audio and A/C control unit

The instrument panel repair and isolation procedures also apply to the center console.

DOORS

Pay attention to the:

1. Finisher and inner panel making a slapping noise
2. Inside handle escutcheon to door finisher
3. Wiring harnesses tapping
4. Door striker out of alignment causing a popping noise on starts and stops

Tapping or moving the components or pressing on them while driving to duplicate the conditions can isolate many of these incidents. You can usually insulate the areas with felt cloth tape or insulator foam blocks from the NISSAN Squeak and Rattle Kit (J-50397) to repair the noise.

TRUNK

Trunk noises are often caused by a loose jack or loose items put into the trunk by the owner.

In addition look for:

1. Trunk lid bumpers out of adjustment
2. Trunk lid striker out of adjustment
3. The trunk lid torsion bars knocking together
4. A loose license plate or bracket

Most of these incidents can be repaired by adjusting, securing or insulating the item(s) or component(s) causing the noise.

SUNROOF/HEADLINING

Noises in the sunroof/headlining area can often be traced to one of the following:

1. Sunroof lid, rail, linkage or seals making a rattle or light knocking noise
2. Sun visor shaft shaking in the holder
3. Front or rear windshield touching headlining and squeaking

Again, pressing on the components to stop the noise while duplicating the conditions can isolate most of these incidents. Repairs usually consist of insulating with felt cloth tape.

OVERHEAD CONSOLE (FRONT AND REAR)

Overhead console noises are often caused by the console panel clips not being engaged correctly. Most of these incidents are repaired by pushing up on the console at the clip locations until the clips engage.

In addition look for:

1. Loose harness or harness connectors.
2. Front console map/reading lamp lens loose.

SQUEAK AND RATTLE TROUBLE DIAGNOSES

< SYMPTOM DIAGNOSIS >

3. Loose screws at console attachment points.

SEATS

When isolating seat noise it's important to note the position the seat is in and the load placed on the seat when the noise is present. These conditions should be duplicated when verifying and isolating the cause of the noise.

Cause of seat noise include:

1. Headrest rods and holder
2. A squeak between the seat pad cushion and frame
3. The rear seatback lock and bracket

These noises can be isolated by moving or pressing on the suspected components while duplicating the conditions under which the noise occurs. Most of these incidents can be repaired by repositioning the component or applying urethane tape to the contact area.

UNDERHOOD

Some interior noise may be caused by components under the hood or on the engine wall. The noise is then transmitted into the passenger compartment.

Causes of transmitted underhood noise include:

1. Any component installed to the engine wall
2. Components that pass through the engine wall
3. Engine wall mounts and connectors
4. Loose radiator installation pins
5. Hood bumpers out of adjustment
6. Hood striker out of adjustment

These noises can be difficult to isolate since they cannot be reached from the interior of the vehicle. The best method is to secure, move or insulate one component at a time and test drive the vehicle. Also, engine rpm or load can be changed to isolate the noise. Repairs can usually be made by moving, adjusting, securing, or insulating the component causing the noise.

A
B
C
D
E
F
G
H
I
J
L
M
N
O
P

DLK

SQUEAK AND RATTLE TROUBLE DIAGNOSES

< SYMPTOM DIAGNOSIS >

Diagnostic Worksheet

INFOID:000000011560154

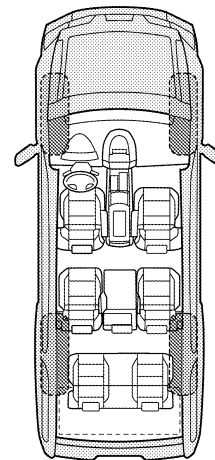
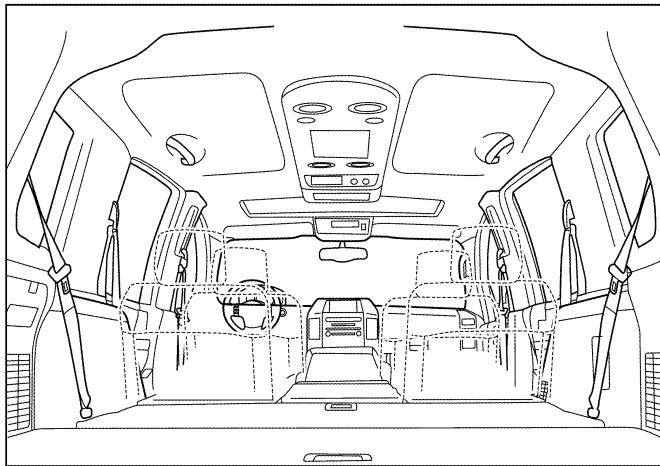
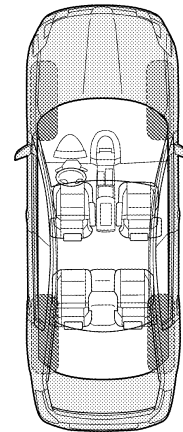
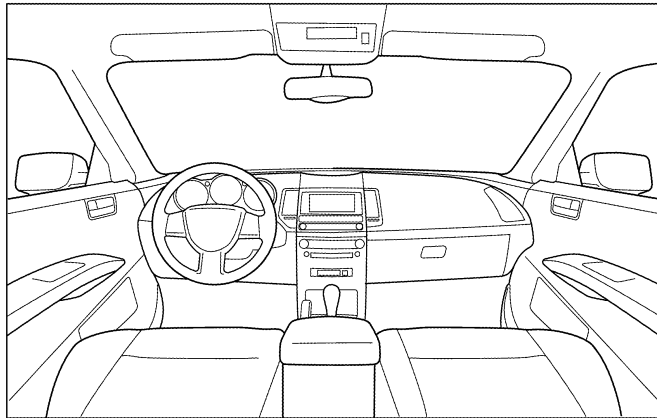
Dear Customer:

We are concerned about your satisfaction with your vehicle. Repairing a squeak or rattle sometimes can be very difficult. To help us fix your vehicle right the first time, please take a moment to note the area of the vehicle where the squeak or rattle occurs and under what conditions. You may be asked to take a test drive with a service advisor or technician to ensure we confirm the noise you are hearing.

SQUEAK & RATTLE DIAGNOSTIC WORKSHEET

I. WHERE DOES THE NOISE COME FROM? (circle the area of the vehicle)

The illustrations are for reference only, and may not reflect the actual configuration of your vehicle.



Continue to page 2 of the worksheet and briefly describe the location of the noise or rattle. In addition, please indicate the conditions which are present when the noise occurs.

SQUEAK AND RATTLE TROUBLE DIAGNOSES

< SYMPTOM DIAGNOSIS >

SQUEAK & RATTLE DIAGNOSTIC WORKSHEET - page 2

Briefly describe the location where the noise occurs:

II. WHEN DOES IT OCCUR? (please check the boxes that apply)

- | | |
|---|--|
| <input type="checkbox"/> Anytime | <input type="checkbox"/> After sitting out in the rain |
| <input type="checkbox"/> 1st time in the morning | <input type="checkbox"/> When it is raining or wet |
| <input type="checkbox"/> Only when it is cold outside | <input type="checkbox"/> Dry or dusty conditions |
| <input type="checkbox"/> Only when it is hot outside | <input type="checkbox"/> Other: |

III. WHEN DRIVING:

- Through driveways
- Over rough roads
- Over speed bumps
- Only about ____ mph
- On acceleration
- Coming to a stop
- On turns: left, right or either (circle)
- With passengers or cargo
- Other: _____
- After driving ____ miles or ____ minutes

IV. WHAT TYPE OF NOISE

- Squeak (like tennis shoes on a clean floor)
- Creak (like walking on an old wooden floor)
- Rattle (like shaking a baby rattle)
- Knock (like a knock at the door)
- Tick (like a clock second hand)
- Thump (heavy muffled knock noise)
- Buzz (like a bumble bee)

TO BE COMPLETED BY DEALERSHIP PERSONNEL

Test Drive Notes:

	YES	NO	Initials of person performing
Vehicle test driven with customer	<input type="checkbox"/>	<input type="checkbox"/>	_____
- Noise verified on test drive	<input type="checkbox"/>	<input type="checkbox"/>	_____
- Noise source located and repaired	<input type="checkbox"/>	<input type="checkbox"/>	_____
- Follow up test drive performed to confirm repair	<input type="checkbox"/>	<input type="checkbox"/>	_____

VIN: _____ Customer Name _____

W.O.# _____ Date: _____

This form must be attached to Work Order

LATA0071E

DLK

A
B
C
D
E
F
G
H
I
J
L
M
N
O
P

PRECAUTIONS

< PRECAUTION >

PRECAUTION

PRECAUTIONS

Precaution for Supplemental Restraint System (SRS) "AIR BAG" and "SEAT BELT PRE-TENSIONER"

INFOID:000000011560155

The Supplemental Restraint System such as "AIR BAG" and "SEAT BELT PRE-TENSIONER", used along with a front seat belt, helps to reduce the risk or severity of injury to the driver and front passenger for certain types of collision. This system includes seat belt switch inputs and dual stage front air bag modules. The SRS system uses the seat belt switches to determine the front air bag deployment, and may only deploy one front air bag, depending on the severity of a collision and whether the front occupants are belted or unbelted. Information necessary to service the system safely is included in the SR and SB section of this Service Manual.

WARNING:

- To avoid rendering the SRS inoperative, which could increase the risk of personal injury or death in the event of a collision which would result in air bag inflation, all maintenance must be performed by an authorized NISSAN/INFINITI dealer.
- Improper maintenance, including incorrect removal and installation of the SRS, can lead to personal injury caused by unintentional activation of the system. For removal of Spiral Cable and Air Bag Module, see the SR section.
- Do not use electrical test equipment on any circuit related to the SRS unless instructed to in this Service Manual. SRS wiring harnesses can be identified by yellow and/or orange harnesses or harness connectors.

PRECAUTIONS WHEN USING POWER TOOLS (AIR OR ELECTRIC) AND HAMMERS

WARNING:

- When working near the Airbag Diagnosis Sensor Unit or other Airbag System sensors with the Ignition ON or engine running, DO NOT use air or electric power tools or strike near the sensor(s) with a hammer. Heavy vibration could activate the sensor(s) and deploy the air bag(s), possibly causing serious injury.
- When using air or electric power tools or hammers, always switch the Ignition OFF, disconnect the battery and wait at least three minutes before performing any service.

Precaution for Servicing Doors and Locks

INFOID:000000011560156

WARNING:

Radio waves could adversely affect electric medical equipment. Those who use a pacemaker should contact the electric medical equipment manufacturer for the possible influences before use,

- After removing and installing the opening/closing parts, be sure to carry out fitting adjustments to check their operation.
- Check the lubrication level, damage, and wear of each part. If necessary, grease or replace it.
- When removing or disassembling each component, be careful not to damage or deform it. If a component may be subject to interference, be sure to protect it with a shop cloth.
- When removing (disengaging) components with a screwdriver or similar tool, be sure to wrap the component with a shop cloth or vinyl tape to protect it.
- Protect the removed parts with a shop cloth and prevent them from being dropped.
- Replace a deformed or damaged clip.
- If a part is specified as a non-reusable part, always replace it with a new one.
- Be sure to tighten bolts and nuts securely to the specified torque.
- After installation is complete, be sure to check that each part works properly.
- Follow the steps below to clean components:
 - Water soluble dirt:
 - Dip a soft cloth into lukewarm water, wring the water out of the cloth and wipe the dirty area.
 - Then rub with a soft, dry cloth.
 - Oily dirt:
 - Dip a soft cloth into lukewarm water with mild detergent (concentration: within 2 to 3%) and wipe the dirty area.
 - Then dip a cloth into fresh water, wring the water out of the cloth and wipe the detergent off.
 - Then rub with a soft, dry cloth.

PRECAUTIONS

< PRECAUTION >

- Do not use organic solvent such as thinner, benzene, alcohol or gasoline.
- For genuine leather seats, use a genuine leather seat cleaner.

A

Precaution for Work

INFOID:0000000011894751

- When removing or disassembling each component, be careful not to damage or deform it. If a component may be subject to interference, be sure to protect it with a shop cloth.
- When removing (disengaging) components with a screwdriver or similar tool, be sure to wrap the component with a shop cloth or vinyl tape to protect it.
- Protect the removed parts with a shop cloth and prevent them from being dropped.
- Replace a deformed or damaged clip.
- If a part is specified as a non-reusable part, always replace it with a new one.
- Be sure to tighten bolts and nuts securely to the specified torque.
- After installation is complete, be sure to check that each part works properly.
- Follow the steps below to clean components:
 - Water soluble dirt:
 - Dip a soft cloth into lukewarm water, wring the water out of the cloth and wipe the dirty area.
 - Then rub with a soft, dry cloth.
 - Oily dirt:
 - Dip a soft cloth into lukewarm water with mild detergent (concentration: within 2 to 3%) and wipe the dirty area.
 - Then dip a cloth into fresh water, wring the water out of the cloth and wipe the detergent off.
 - Then rub with a soft, dry cloth.
- Do not use organic solvent such as thinner, benzene, alcohol or gasoline.
- For genuine leather seats, use a genuine leather seat cleaner.

B

C

D

E

F

G

H

I

J

DLK

L

M

N

O

P

PREPARATION

< PREPARATION >

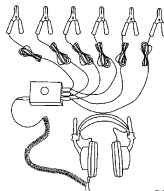

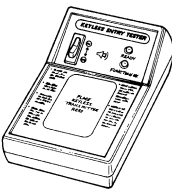

PREPARATION

PREPARATION

Special Service Tool


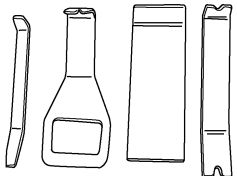
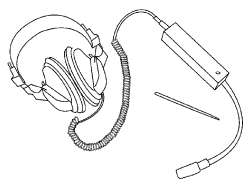

INFOID:000000011560157

The actual shape of the tools may differ from those illustrated here.

Tool number (TechMate No.) Tool name	Description
<p>— (J-39570) Chassis Ear</p>  <p style="text-align: right; font-size: small;">SITA0993E</p>	<p>Locating the noise</p>
<p>— (J-50397) NISSAN Squeak and Rattle Kit</p>  <p style="text-align: right; font-size: small;">ALJIA1232ZZ</p>	<p>Repairing the cause of noise</p>
<p>— (J-43241) Remote Keyless Entry Tester</p>  <p style="text-align: right; font-size: small;">LEL946A</p>	<p>Used to test key fobs</p>
<p>— (J-50190) Signal Tech II</p>  <p style="text-align: right; font-size: small;">ALEIA0131ZZ</p>	<ul style="list-style-type: none"> • Activate and display TPMS transmitter IDs • Display tire pressure reported by the TPMS transmitter • Read TPMS DTCs • Register TPMS transmitter IDs • Test remote keyless entry keyfob relative signal strength • Compatible with future sensors • Equipped with a display • Check Intelligent Key relative signal strength • Confirm vehicle Intelligent Key antenna signal strength

PREPARATION

< PREPARATION >

Tool number (TechMate No.) Tool name	Description	
KV48105501 (J-45295-A) Transmitter activation tool	 <p>ALEIA01832Z</p> <ul style="list-style-type: none"> • Activate TPMS transmitter IDs • Compatible with future sensors • Equipped with a display (KV48105501 only) 	A B C
— (J-46534) Trim Tool Set	 <p>AMJIA04832Z</p> <p>Removing trim components</p>	D E F
Commercial Service Tool		
<p style="text-align: right;"><i>INFOID:0000000011560158</i></p>		
(TechMate No.) Tool name	Description	
(J-39565) Engine Ear	 <p>SIIA0995E</p> <p>Locating the noise</p>	G H I J
(—) Power tool	 <p>PIIB1407E</p> <p>Loosening nuts, screws and bolts</p>	<div style="background-color: black; color: white; padding: 2px; text-align: center;">DLK</div> L M N O P

HOOD

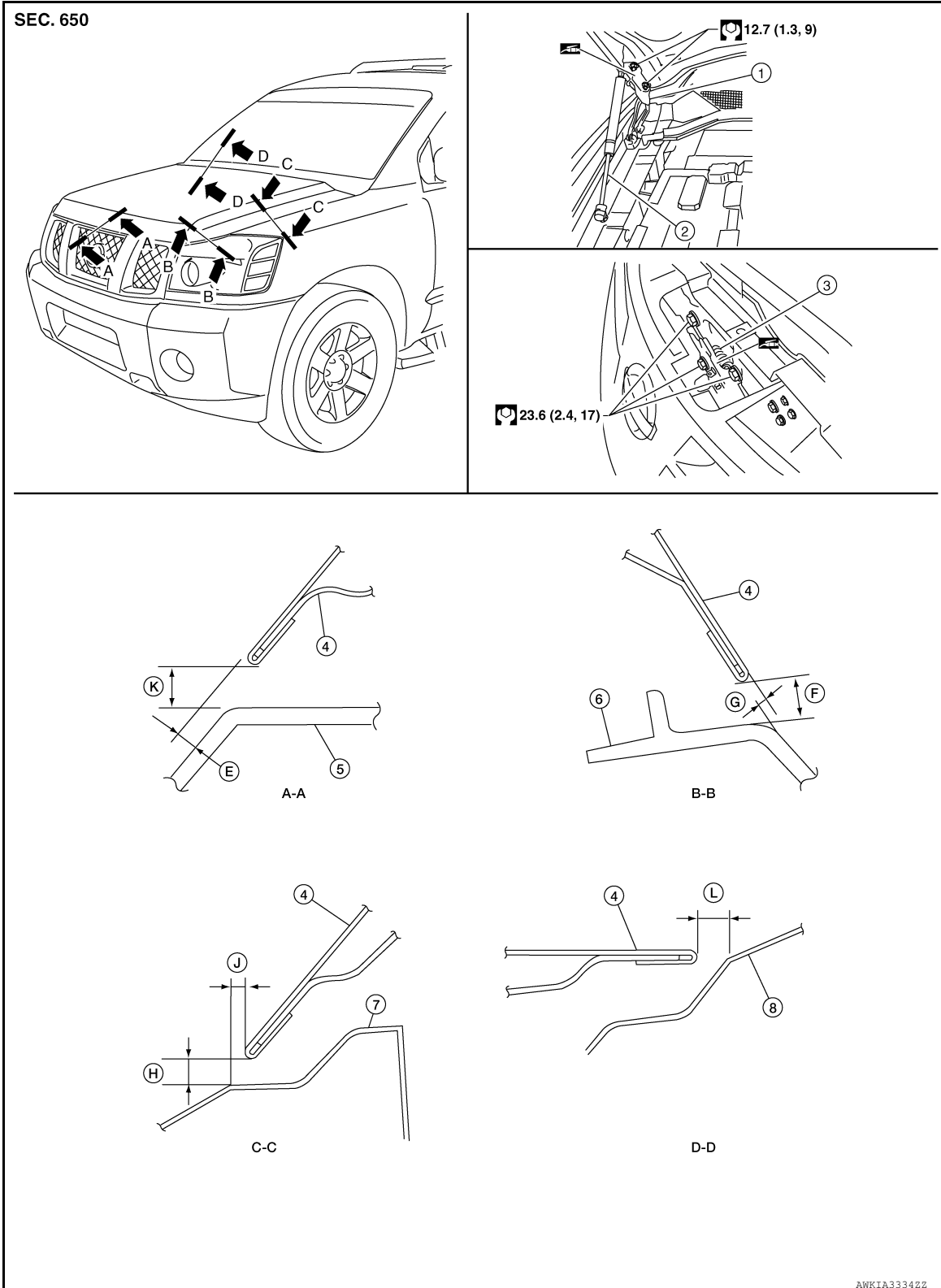
< REMOVAL AND INSTALLATION >

REMOVAL AND INSTALLATION

HOOD

Fitting Adjustment

INFOID:000000011560159



HOOD

< REMOVAL AND INSTALLATION >

- | | | |
|---------------------|----------------------|-----------------------|
| 1. Hood hinge | 2. Hood stay | 3. Hood lock assembly |
| 4. Hood assembly | 5. Front grille | 6. Headlamp |
| 7. Front fender | 8. Cowl grill | E. 2.0 mm (0.079 in) |
| F. 8.0mm (0.315 in) | G. 0.8 mm (0.031 in) | H. 3.5 mm (0.138 in) |
| J. 0.0 mm (0.00 in) | K. 8.0 mm (0.315 in) | L. 8.8 mm (0.346 in) |

CLEARANCE AND SURFACE HEIGHT ADJUSTMENT

1. Remove the front grille. Refer to [EXT-20, "Removal and Installation"](#).
2. Remove the hood lock assembly and adjust the height by rotating the bumper rubber until the hood clearance of hood and fender becomes 1 mm (0.04 in) lower than fitting standard dimension.
3. Temporarily tighten the hood lock, and position it by engaging it with the hood striker. Check the lock and striker for looseness, and tighten the lock bolt to the specified torque.
4. Adjust the clearance and surface height of hood and fender according to the fitting standard dimension by rotating right and left bumper rubbers.

CAUTION:

Adjust right/left gap between hood and each part to the following specification.

Hood and headlamp (B-B) 8.0 ± 2.0 mm (0.315 ± 0.079 in)

5. Install the front grille. Refer to [EXT-20, "Removal and Installation"](#).

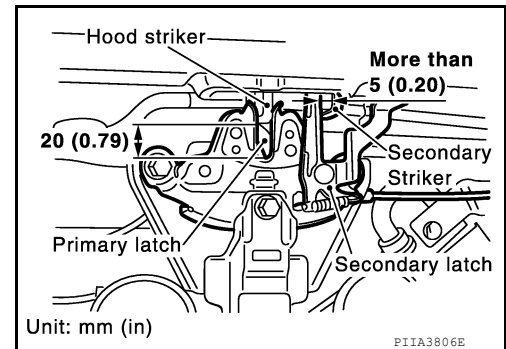
HOOD LOCK ADJUSTMENT

1. Remove the front grille. Refer to [EXT-20, "Removal and Installation"](#).
2. Move the hood lock to the left or right so that striker center is vertically aligned with hood lock center (when viewed from vehicle front).
3. Make sure the secondary latch is properly engaged with the secondary striker with hood's own weight by dropping it from approx. 200 mm (7.87 in) height or by pressing it lightly approx. 3 kg (29 N, 7lb).

CAUTION:

Do not drop the hood from 300 mm (11.81 in) height or higher.

4. After adjusting hood lock, tighten the lock bolts to the specified torque.
5. Install the front grille. Refer to [EXT-20, "Removal and Installation"](#).



Removal and Installation of Hood Assembly

INFOID:000000011560160

CAUTION:

- Use two people when removing or installing hood assembly due to its heavy weight.
- Use protective tape or shop cloths to protect surrounding components from damage during removal and installation of hood assembly.

REMOVAL

1. Support the hood assembly using a suitable tool.

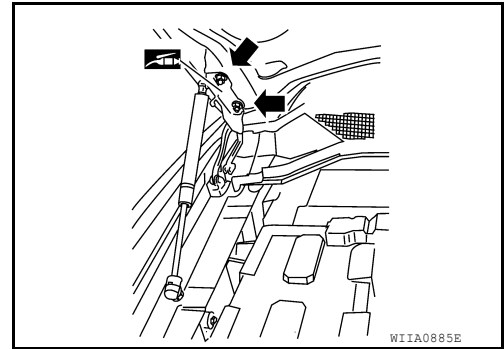
WARNING:

Bodily injury may occur if hood assembly is not supported properly when removing hood assembly.

HOOD

< REMOVAL AND INSTALLATION >

2. Remove the hinge nuts (←) and the hood assembly.



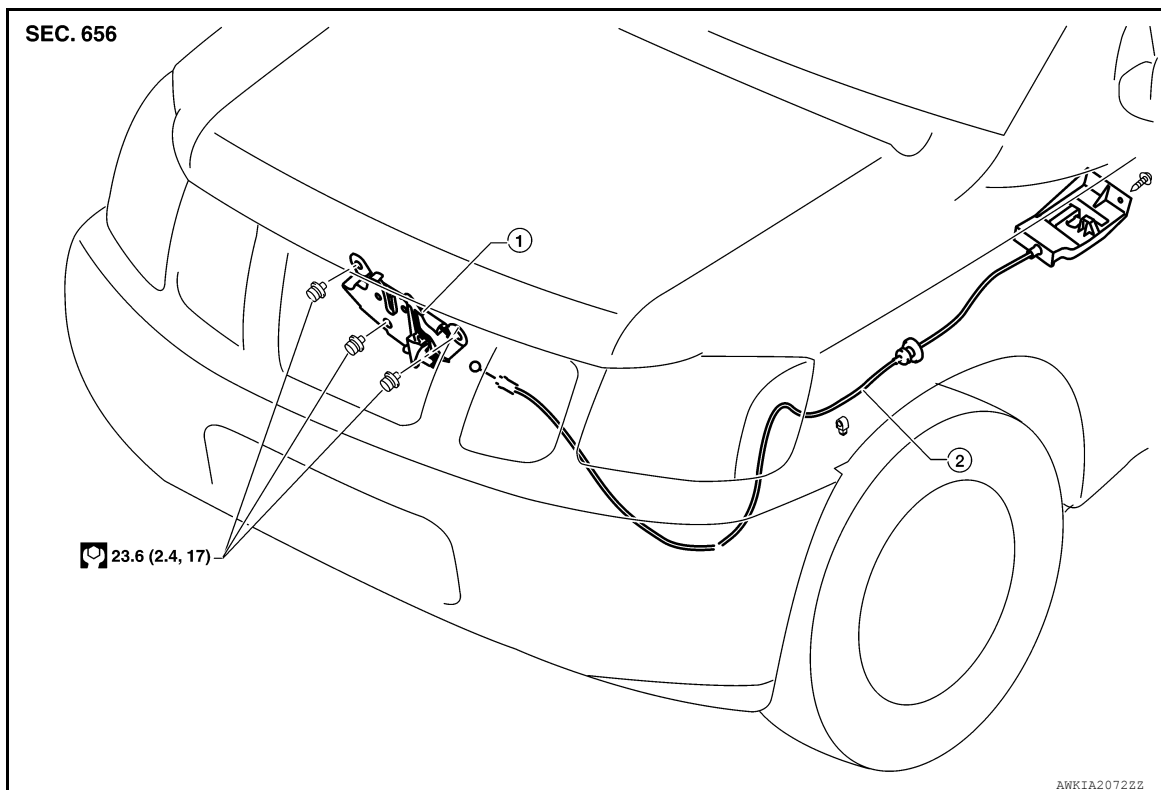
INSTALLATION

Installation is in the reverse order of removal.

- Adjust the hood. Refer to [DLK-120, "Fitting Adjustment"](#).
- Adjust the hood lock. Refer to [DLK-120, "Fitting Adjustment"](#).

Removal and Installation of Hood Lock Control

INFOID:000000011560161



1. Hood lock assembly
2. Hood lock release cable

REMOVAL

1. Remove the hood lock assembly bolts.
2. Disconnect the hood lock release cable from the hood lock assembly, and unclip it from the radiator core support upper and hoodledge.
3. Remove the bolt and the hood lock release handle.
4. Remove the grommet from the dash lower, and pull the hood lock release cable toward the passenger compartment.

CAUTION:

While pulling, be careful not to damage the outside of the hood lock release cable, keep the radius 100mm (3.94 in) or more.

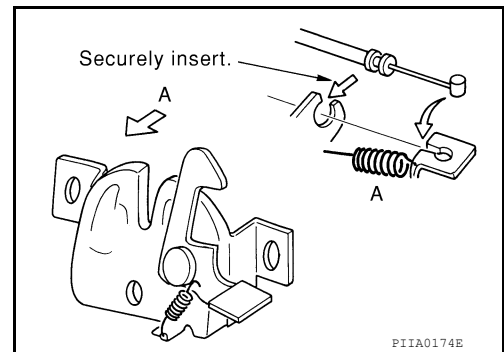
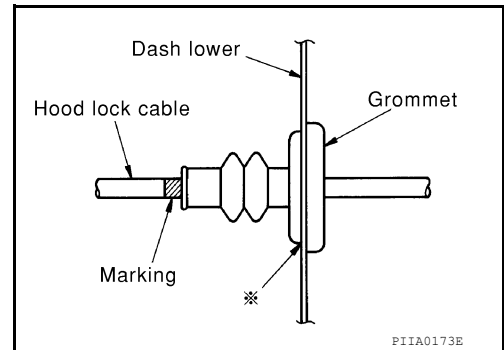
5. Remove the hood lock assembly.

HOOD

< REMOVAL AND INSTALLATION >

INSTALLATION

1. Pull the hood lock release cable through the hole in dash lower panel into the engine room.
Be careful not to bend the cable too much, keeping the radius 100mm (3.94 in) or more.
2. Make sure the hood lock release cable is not offset from the positioning grommet, and from inside the vehicle, push the grommet into the dash lower hole securely.
3. Apply the sealant around the grommet at (*) mark.
4. Install the hood lock release cable securely to the hood lock.
5. After installing, check the hood lock adjustment and hood lock release handle operation.



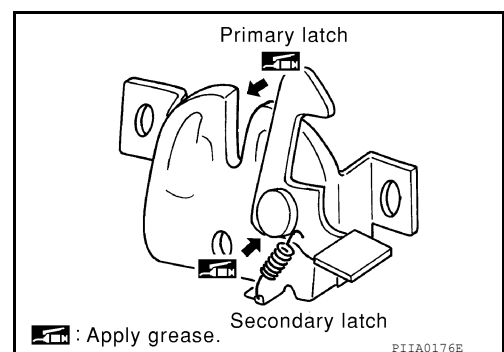
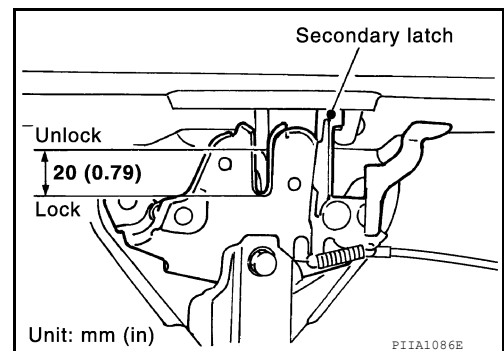
Hood Lock Control Inspection

INFOID:000000011560162

CAUTION:

If the hood lock release cable is bent or deformed, replace it.

1. Make sure the secondary latch is properly engaged with the secondary striker with hood's own weight by dropping it from approx. 200 mm (7.87 in) height.
2. While operating the hood lock release handle, carefully make sure the front edge of the hood is raised by approx. 20 mm (0.79 in). Also make sure the hood lock release handle returns to the original position.
3. Check the hood lock lubrication condition. If necessary, apply a suitable multi-purpose grease to the points shown.



A
B
C
D
E
F
G
H
I
J
DLK
L
M
N
O
P

HOOD

< REMOVAL AND INSTALLATION >

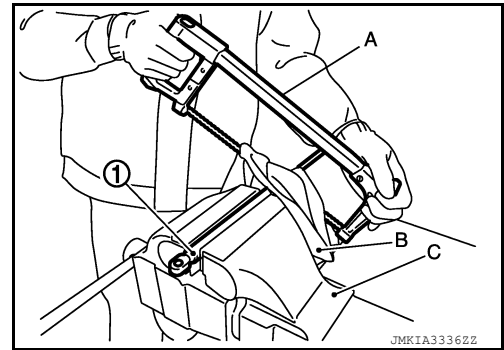
Hood Stay Disposal

INFOID:000000011560163

1. Fix hood stay (1) using a vise (C).
2. Using hacksaw (A) slowly make 2 holes in the hood stay, in numerical order as shown.

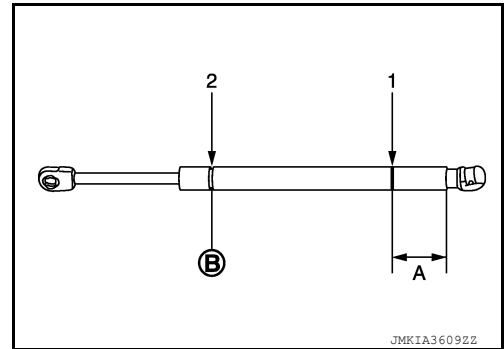
CAUTION:

- When cutting a hole on hood stay, always cover hacksaw with shop cloths (B) to avoid scattering metal fragments or oil.
- Wear eye protection (safety glasses).
- Wear gloves.



A: 20 mm (0.8 in)

B: Cut at the groove.



DOOR

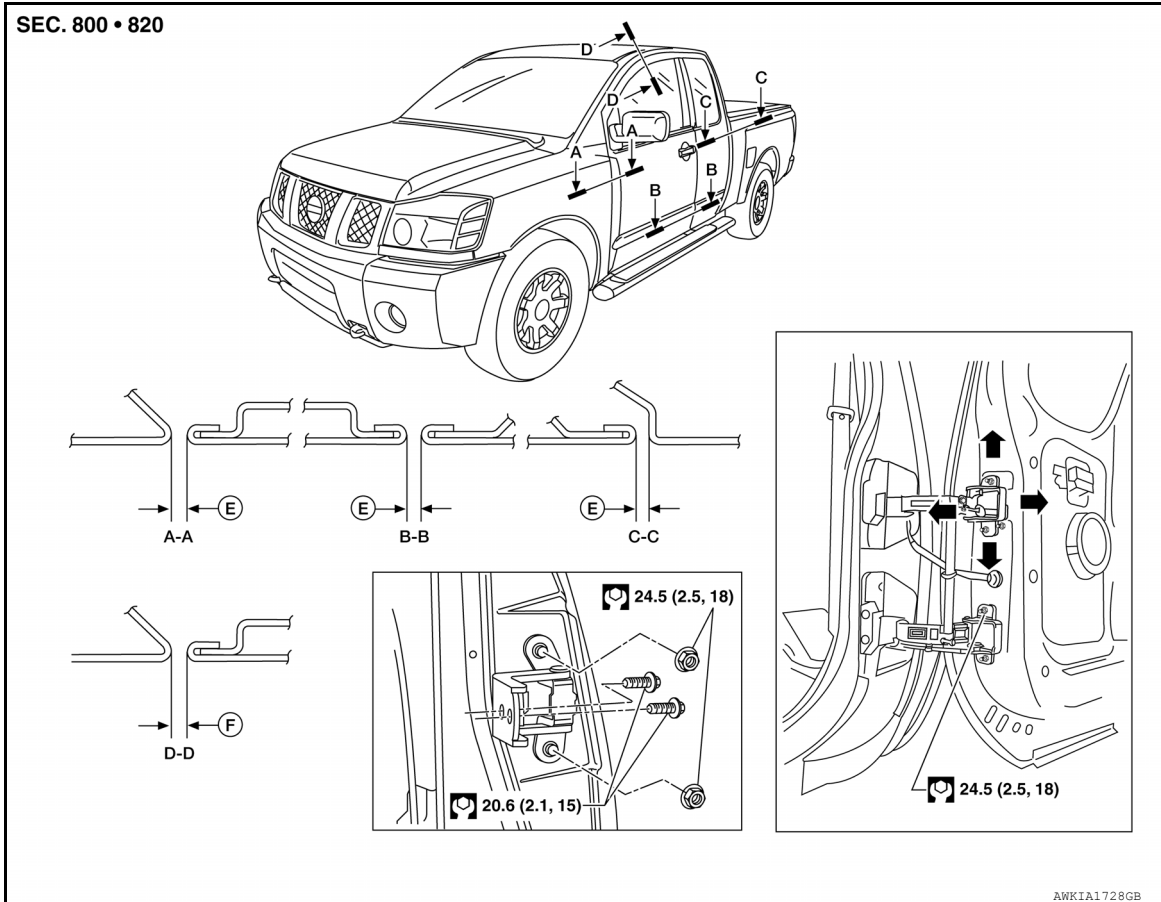
< REMOVAL AND INSTALLATION >

DOOR

Fitting Adjustment

INFOID:000000011560164

KING CAB



E. $4.5 \pm 1.0 \text{ mm}$ ($0.177 \pm 0.039 \text{ in}$)

F. $6.5 \pm 1.0 \text{ mm}$ ($0.256 \pm 0.039 \text{ in}$)

A
B
C
D
E
F
G
H
I
J

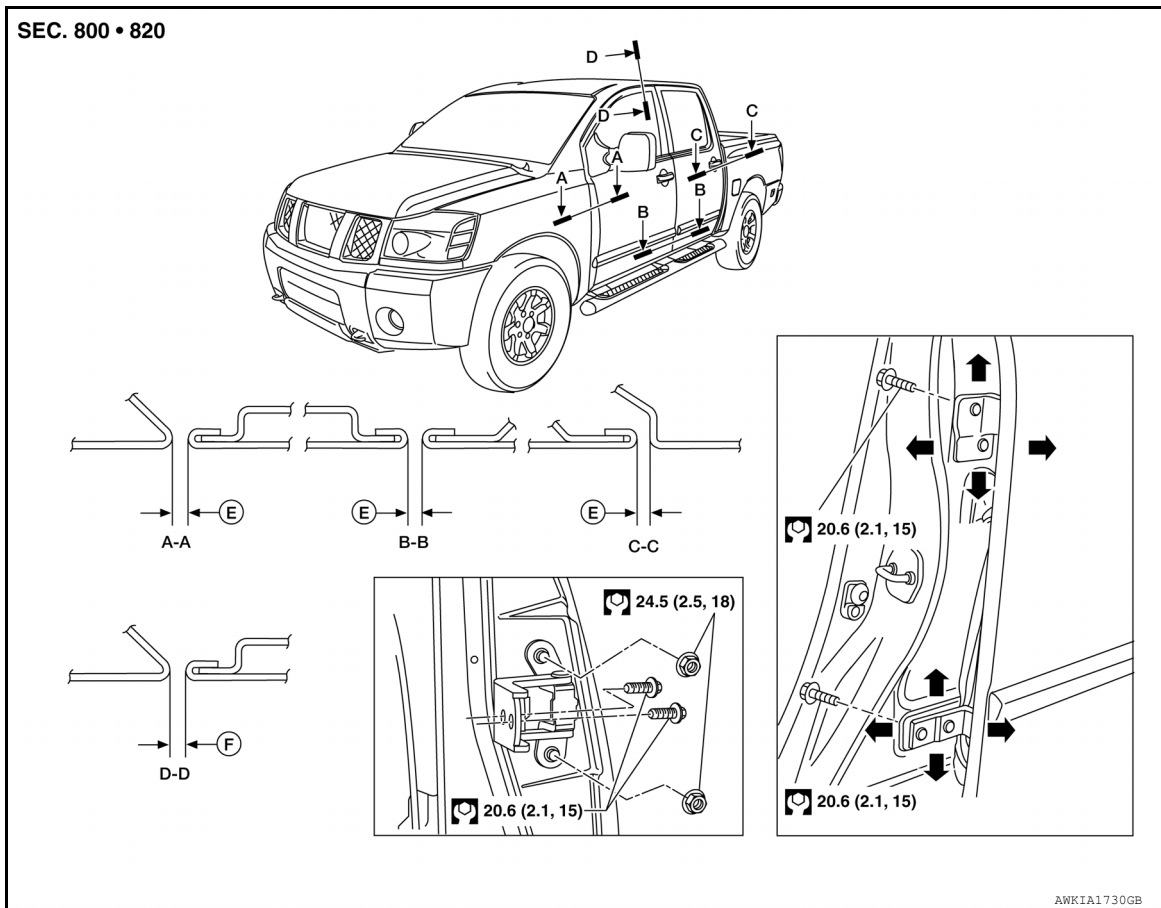
DLK

L
M
N
O
P

DOOR

< REMOVAL AND INSTALLATION >

CREW CAB



E. 4.5 ± 1.0 mm (0.177 ± 0.039 in) F. 6.5 ± 1.0 mm (0.256 ± 0.039 in)

Front Door

Longitudinal clearance and surface height adjustment at front end

1. Remove the front fender. Refer to [EXT-23. "Removal and Installation"](#).
2. Loosen the hinge bolts.
3. Raise the front door at rear end to adjust.
4. Tighten the hinge bolts
5. Install the front fender. Refer to [EXT-23. "Removal and Installation"](#).

Rear Door Crew Cab

Longitudinal clearance and surface height adjustment at rear end

1. Remove the center pillar upper finisher. Refer to [INT-15. "Removal and Installation"](#).
2. Accessing from inside the vehicle, loosen the nuts. Open the rear door, and raise the rear door at rear end to adjust.
3. Tighten the nuts to specification.

Rear door hinge nuts : 24.5 N·m (2.5 kg·m, 18 ft·lb)

4. Install the center pillar upper garnish. Refer to [INT-15. "Removal and Installation"](#).

Rear Door King Cab

Longitudinal clearance and surface height adjustment at front end

1. With the door open, support and loosen the hinge to door nuts.
2. Adjust the door position as necessary.
3. Tighten the nuts to specification.

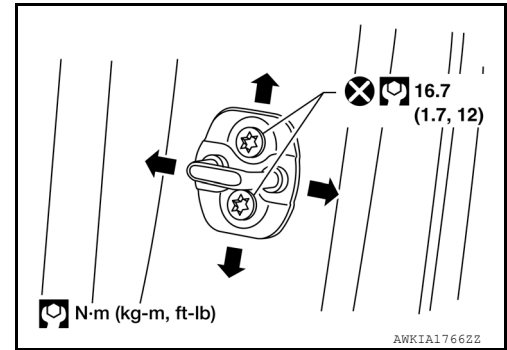
DOOR

< REMOVAL AND INSTALLATION >

Rear door hinge nuts : 24.5 N·m (2.5 kg-m, 18 ft-lb)

Striker adjustment

1. Loosen striker bolts.
2. Adjust the striker so that it becomes parallel with the lock insertion direction.
3. Tighten striker bolts.



Removal and Installation

INFOID:0000000011560165

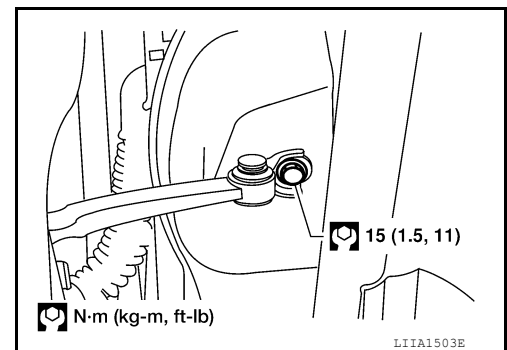
KING CAB

Front Door

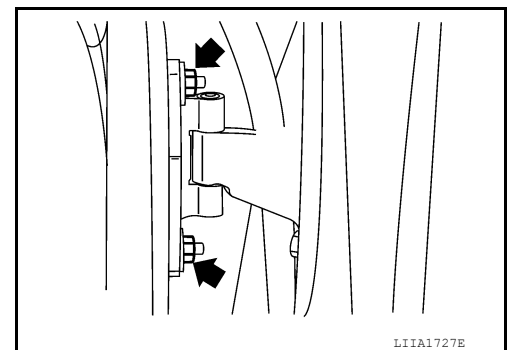
CAUTION:

- Use two people when removing or installing the front door assembly due to its heavy weight.
- When removing and installing front door assembly, support front door with a suitable tool.
- Check the hinge rotating part for poor lubrication. If necessary, apply a suitable multipurpose grease.
- When removing and installing front door assembly, be sure to carry out the fitting adjustment.

1. Remove the front door lock assembly. Refer to [DLK-130. "Removal and Installation"](#).
2. Remove the door harness.
3. Remove the check link cover.
4. Remove the check link bolt from the hinge pillar.



5. Remove the door-side hinge nuts (←) and bolts, and the front door assembly.



Installation is in the reverse order of removal.

- Align the front door. Refer to [DLK-125. "Fitting Adjustment"](#).

Rear Door

CAUTION:

A
B
C
D
E
F
G
H
I
J
DLK
L
M
N
O
P

DOOR

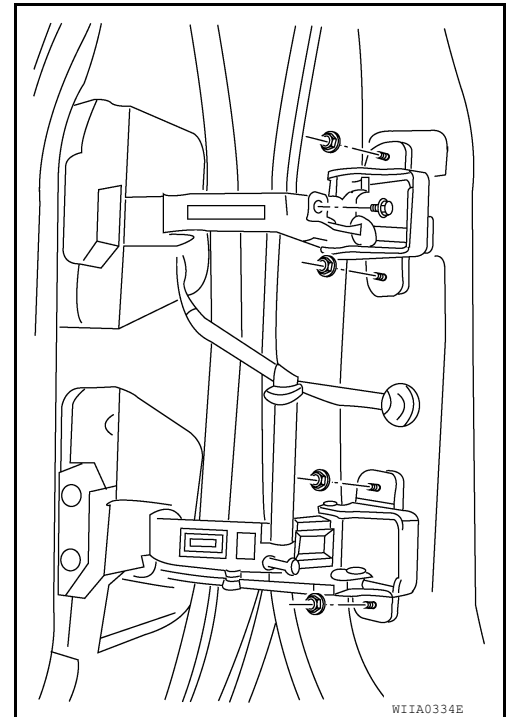
< REMOVAL AND INSTALLATION >

- Use two people when removing or installing the rear door assembly due to its heavy weight.
- When removing and installing rear door assembly, support rear door with a suitable tool.
- Check the hinge rotating part for poor lubrication. If necessary, apply a suitable multipurpose grease.
- When removing and installing rear door assembly, be sure to carry out the fitting adjustment.

1. Remove the door glass. Refer to [GW-23, "Removal"](#).
2. Remove the speaker.
3. Remove the door handles and latch assembly. Refer to [DLK-133, "Component Structure"](#).
4. Remove the check link.
5. Remove the door harness.
6. Remove the door assembly.

Installation is in the reverse order of removal.

- Align the rear door. Refer to [DLK-125, "Fitting Adjustment"](#).

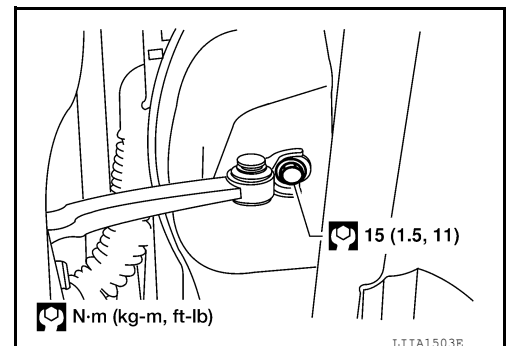


CREW CAB

CAUTION:

- Use two people when removing or installing the rear door assembly due to its heavy weight.
- When removing and installing rear door assembly, support rear door with a suitable tool.
- Check the hinge rotating part for poor lubrication. If necessary, apply a suitable multipurpose grease.
- When removing and installing rear door assembly, be sure to carry out the fitting adjustment.

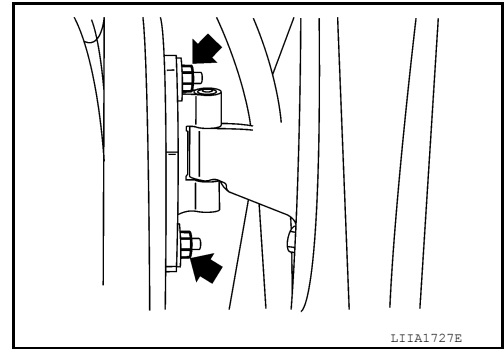
1. Remove the rear door lock assembly. Refer to [DLK-134, "Removal and Installation"](#).
2. Remove the door harness.
3. Remove the check link cover.
4. Remove the check link bolt from the hinge pillar.



DOOR

< REMOVAL AND INSTALLATION >

5. Remove the door-side hinge nuts (←) and bolts, and the rear door assembly.



Installation is in the reverse order of removal.

- Align the rear door. Refer to [DLK-125, "Fitting Adjustment"](#).

A
B
C
D
E
F
G
H
I
J
L
M
N
O
P

DLK

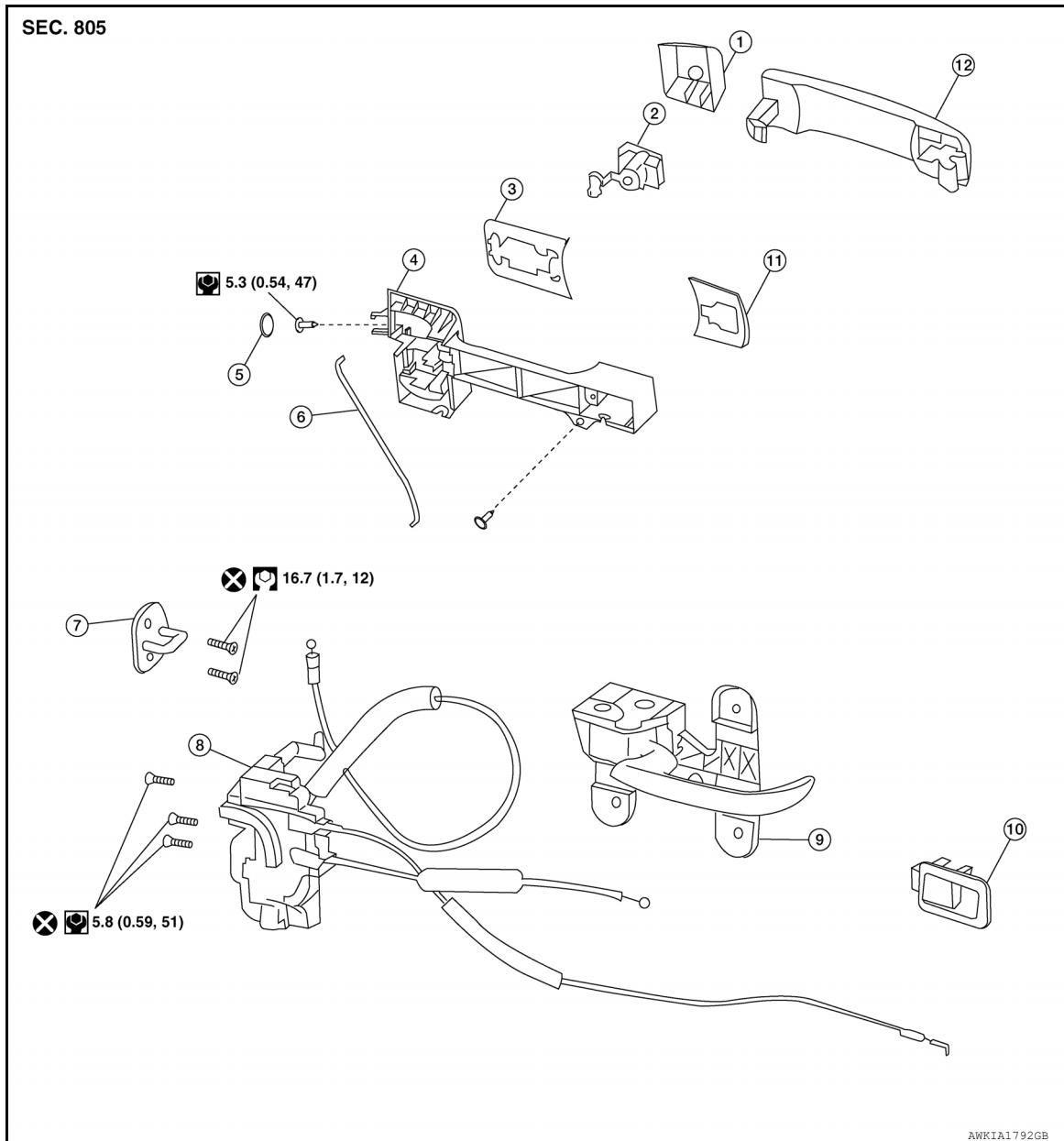
FRONT DOOR LOCK

< REMOVAL AND INSTALLATION >

FRONT DOOR LOCK

Component Structure

INFOID:000000011560166



- | | | |
|-------------------------------|--------------------------|-----------------------------|
| 1. Door key cylinder assembly | 2. Key cylinder assembly | 3. Rear gasket |
| 4. Outside handle bracket | 5. Grommet | 6. Key cylinder rod |
| 7. Front door striker | 8. Door lock assembly | 9. Inside handle assembly |
| 10. Inside door lock lever | 11. Front gasket | 12. Outside handle assembly |

Removal and Installation

INFOID:000000011560167

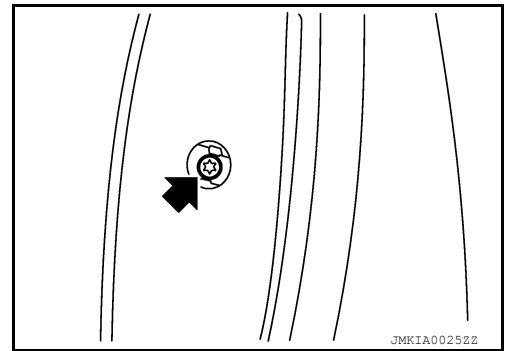
REMOVAL

1. Remove the front door window regulator. Refer to [GW-18. "Removal and Installation"](#).
2. Remove the front door window rear glass run.
3. Position aside vapor barrier.

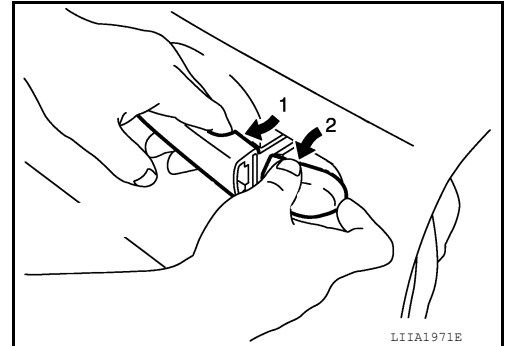
FRONT DOOR LOCK

< REMOVAL AND INSTALLATION >

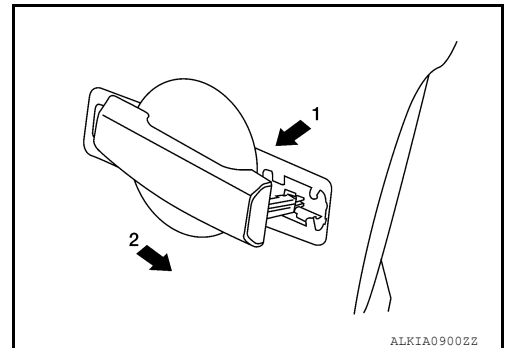
4. Remove the door side grommet, and the bolt (←) that retains the outside handle bracket.



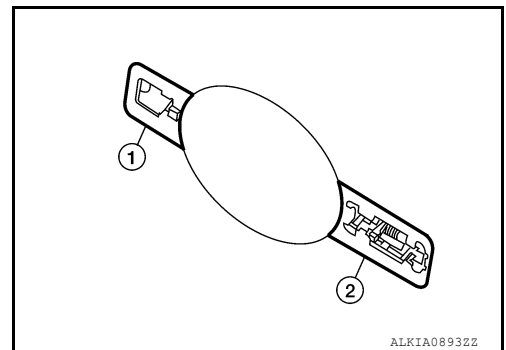
5. While pulling the outside handle, remove the door key cylinder assembly or outside handle escutcheon in order shown.



6. Separate the key cylinder rod from the door key cylinder assembly (if equipped).
7. While pulling the outside handle, slide it toward rear of vehicle to remove in order shown.



8. Remove the front gasket (1) and rear gasket (2).



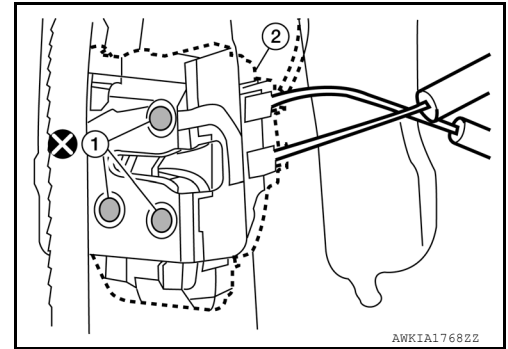
A
B
C
D
E
F
G
H
I
J
DLK
L
M
N
O
P

FRONT DOOR LOCK

< REMOVAL AND INSTALLATION >

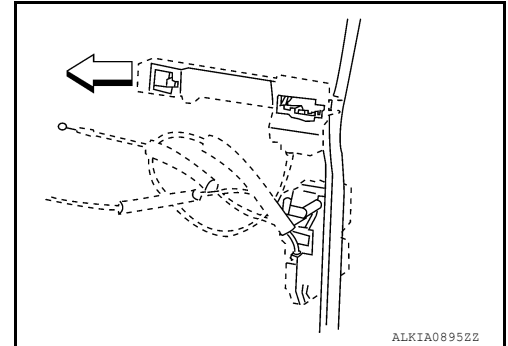
9. Remove the bolts (1) and separate the door lock assembly (2) from the door.

CAUTION:
Do not reuse bolts.

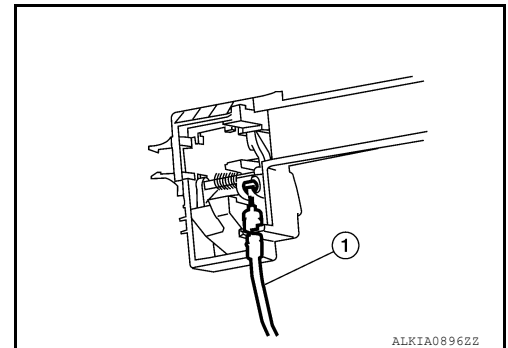


10. While pulling the outside handle bracket, slide it toward the front of the vehicle to remove it and the door lock assembly as shown.

⇐: Front



11. Disconnect the door lock actuator electrical connector.
12. Separate the outside handle cable connection (1) from the outside handle bracket.



INSTALLATION

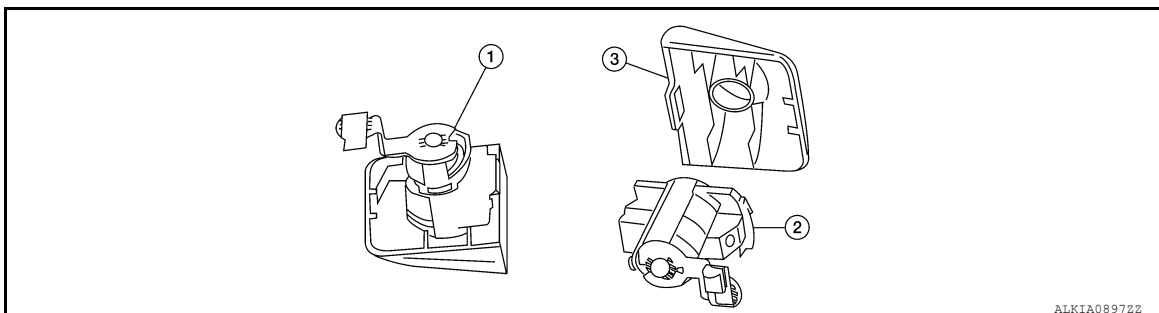
Installation is in the reverse order of removal.

CAUTION:
To install the key cylinder rod, be sure to rotate the key cylinder rod holder until a click is felt.

Disassembly and Assembly

INFOID:000000011560168

DOOR KEY CYLINDER ASSEMBLY



1. Door key cylinder assembly 2. Key cylinder assembly 3. Door key cylinder escutcheon

Release the door key cylinder escutcheon pawls to remove the door key cylinder.

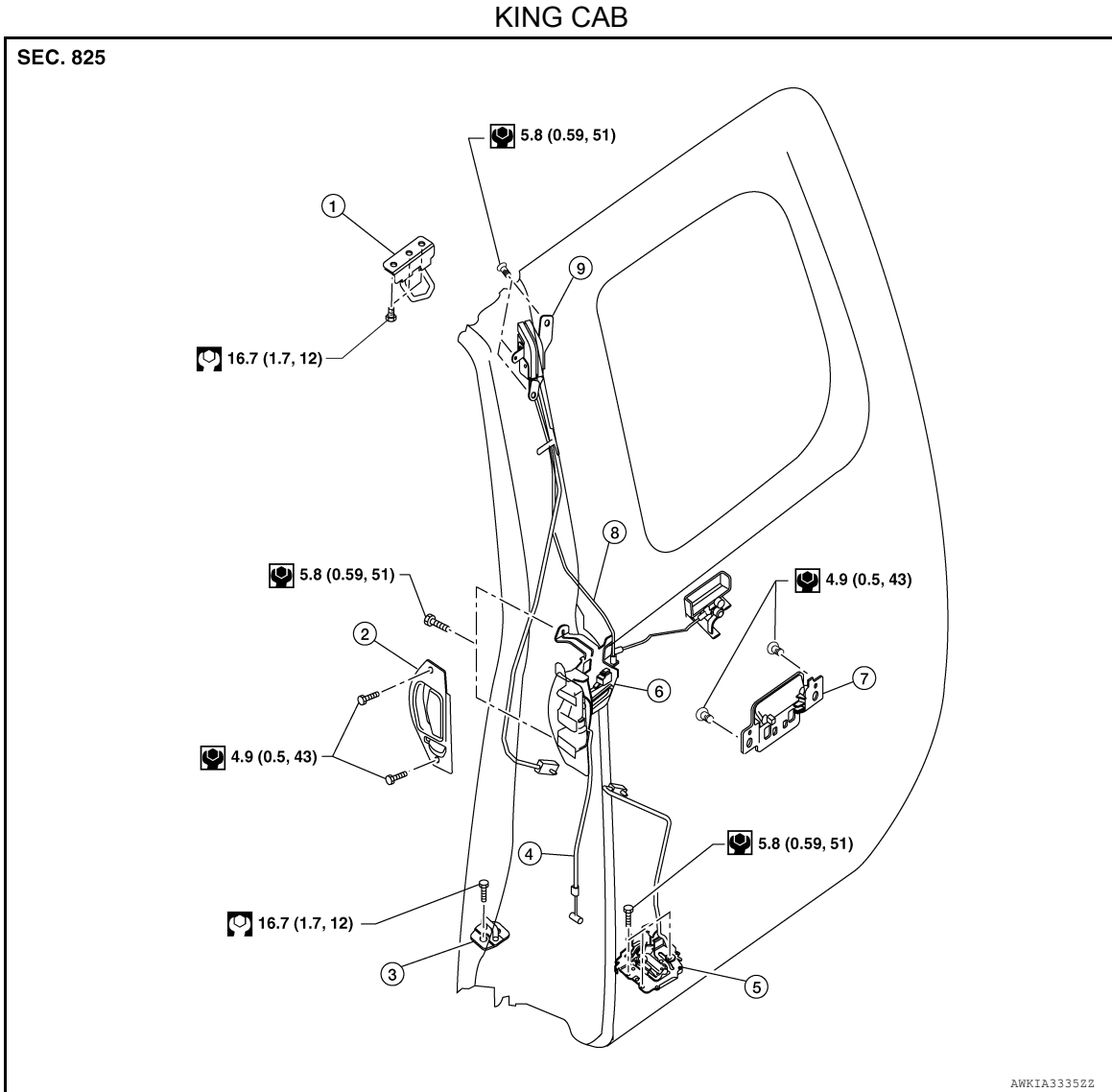
REAR DOOR LOCK

< REMOVAL AND INSTALLATION >

REAR DOOR LOCK

Component Structure

INFOID:000000011560169



- | | | |
|---------------------------------|--------------------------|---------------------------------|
| 1. Rear upper door lock striker | 2. Rear door handle | 3. Rear lower door lock striker |
| 4. Lower latch cable | 5. Rear lower door latch | 6. Rear door lock assembly |
| 7. Inside handle | 8. Upper latch cable | 9. Rear upper door latch |

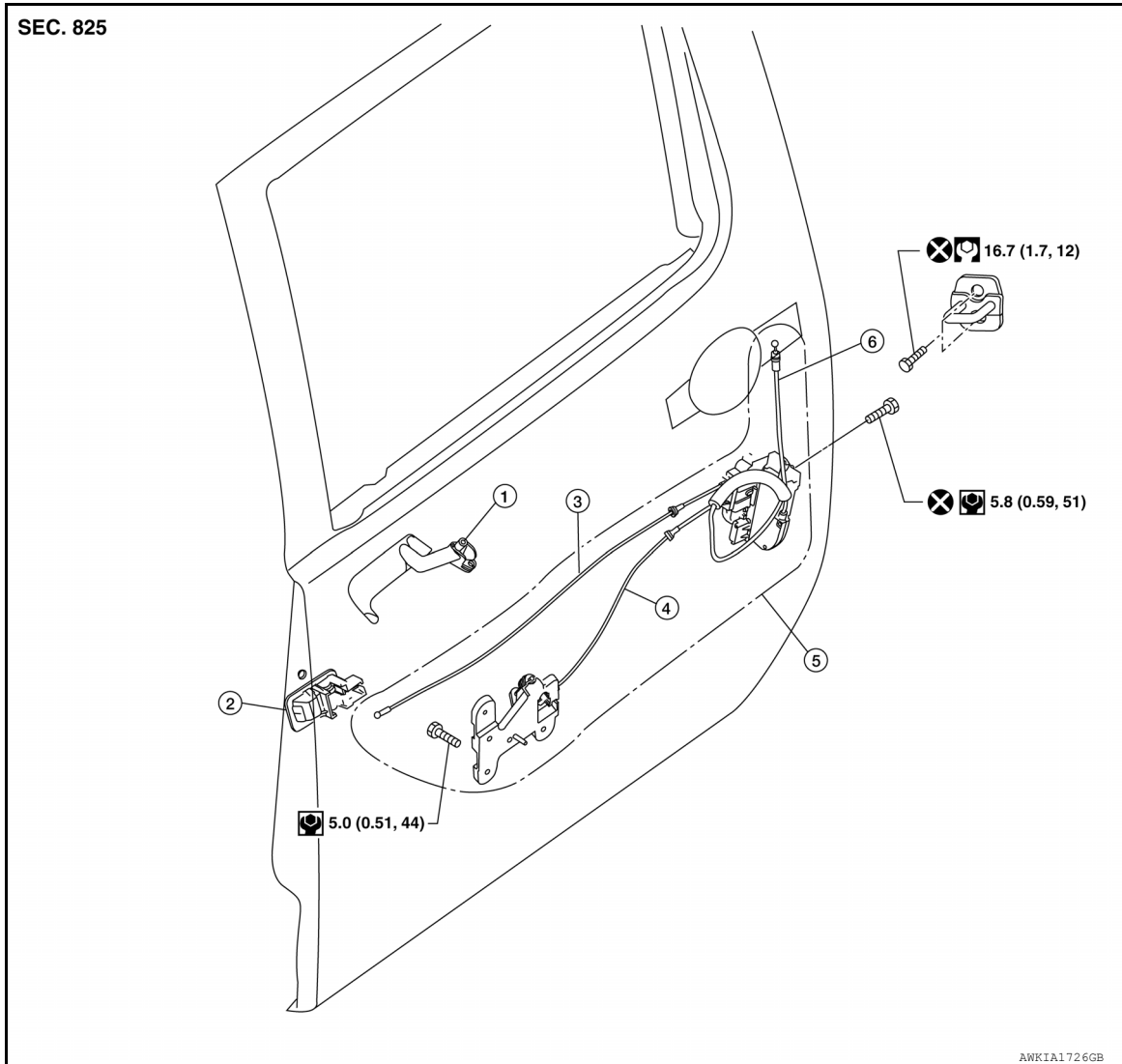
A
B
C
D
E
F
G
H
I
J
K
L
M
N
O
P

DLK

REAR DOOR LOCK

< REMOVAL AND INSTALLATION >

CREW CAB



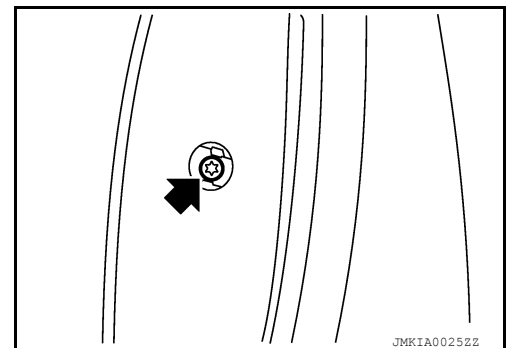
- | | | |
|------------------------|---|-------------------------|
| 1. Inside handle | 2. Rear door lock knob | 3. Lock knob cable |
| 4. Inside handle cable | 5. Rear door lock/remote control assembly | 6. Outside handle cable |

Removal and Installation

INFOID:000000011560170

REMOVAL

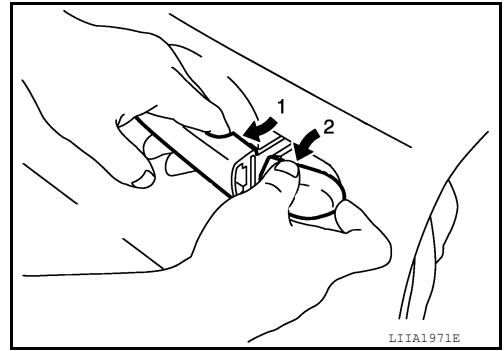
1. Remove the rear door finisher. Refer to [INT-10, "Removal and Installation"](#).
2. Remove the vapor barrier.
3. Remove the door side grommet and the bolt (←) that retains the outside handle bracket.



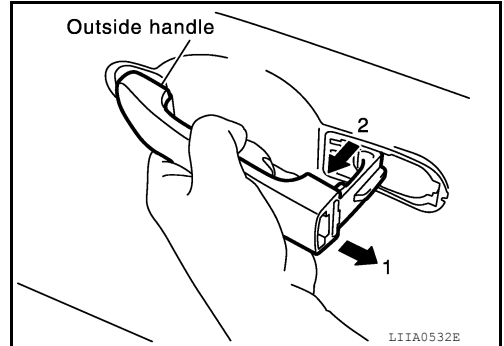
REAR DOOR LOCK

< REMOVAL AND INSTALLATION >

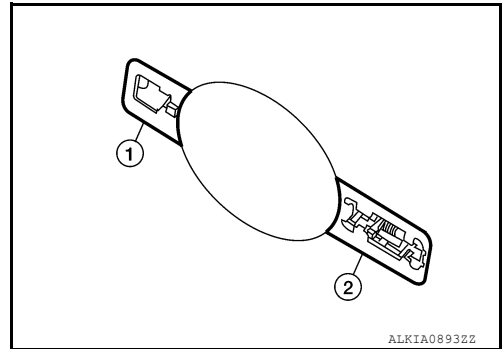
4. While pulling the outside handle, remove the door handle escutcheon in order shown.



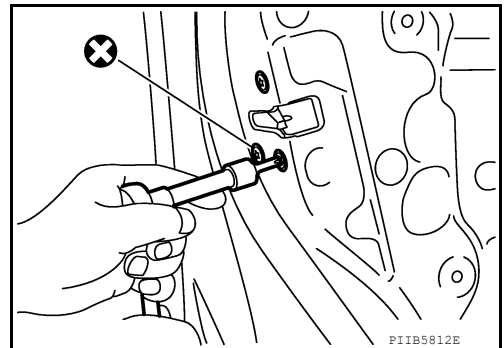
5. While pulling the outside handle, slide it toward the rear of vehicle to remove in order shown.



6. Remove the front gasket (1) and rear gasket (2).



7. Remove the inside handle screws.
8. Remove the bolts and the door lock assembly.
CAUTION:
Do not reuse bolts.

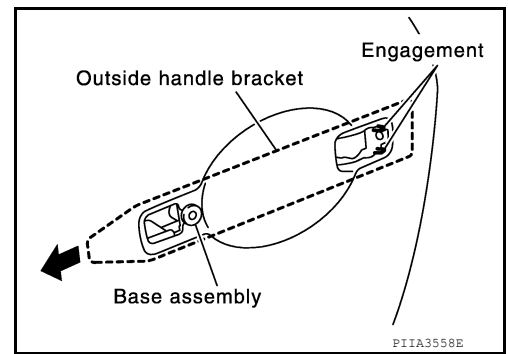


A
B
C
D
E
F
G
H
I
J
DLK
L
M
N
O
P

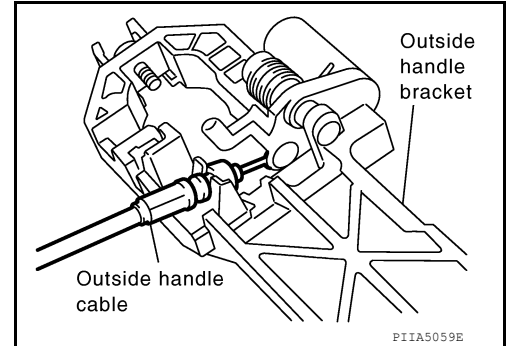
REAR DOOR LOCK

< REMOVAL AND INSTALLATION >

9. While pulling outside handle bracket, slide toward rear of vehicle to remove outside handle bracket and door lock assembly.



10. Disconnect the outside handle cable.



INSTALLATION

Installation is in the reverse order of removal.

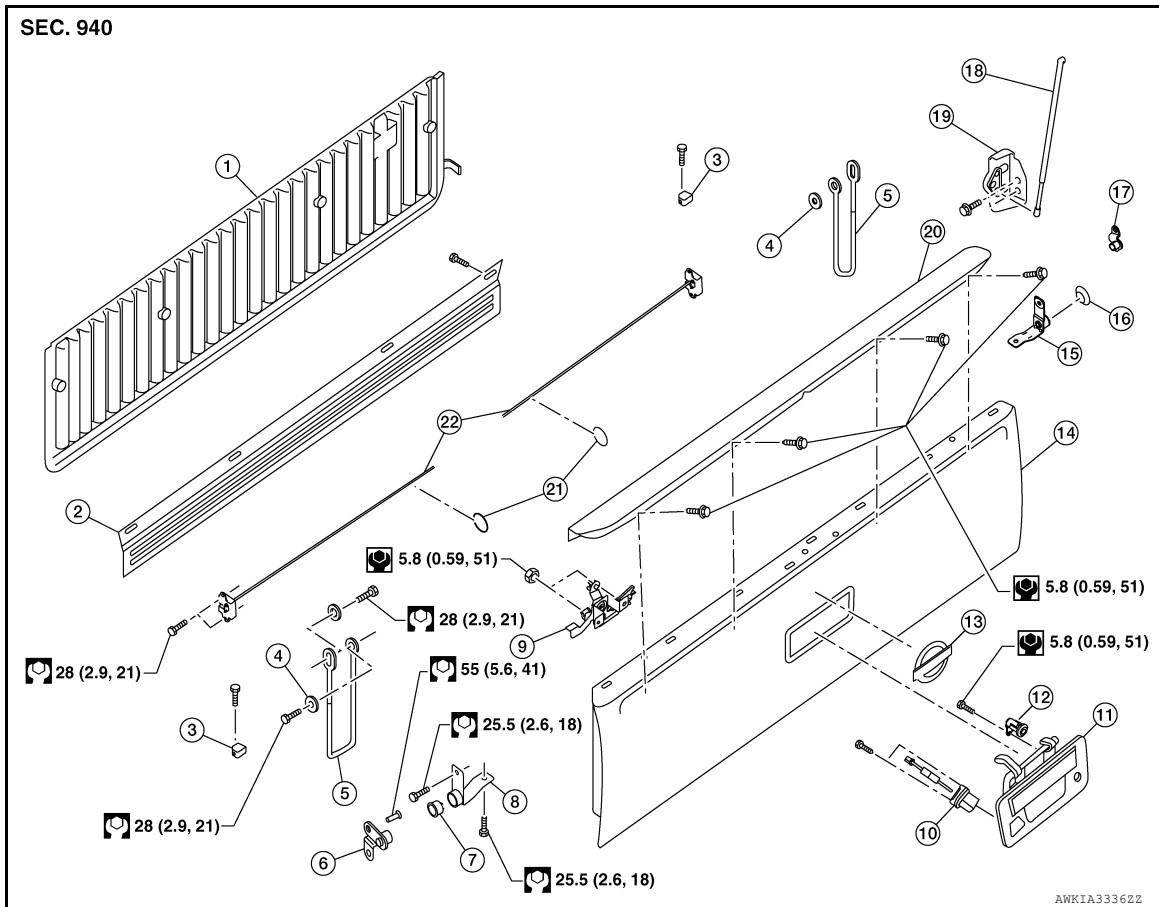
TAIL GATE

< REMOVAL AND INSTALLATION >

TAIL GATE

Exploded View

INFOID:000000011560171



- | | | |
|--|--|--|
| 1. Tail gate liner cover (if equipped) | 2. Tail gate inner panel | 3. Tail gate rubber bumper |
| 4. Washer | 5. Tail gate stay assembly | 6. Tail gate hinge assembly (LH), body side |
| 7. Tail gate ring (LH) | 8. Tail gate hinge assembly (LH), gate side | 9. Tail gate control assembly |
| 10. Rear camera (if equipped) | 11. Tail gate handle | 12. Tail gate lock cylinder |
| 13. Emblem | 14. Tail gate | 15. Tail gate hinge assembly (RH), gate side |
| 16. Tail gate ring (RH) | 17. Tail gate hinge assembly (RH), body side | 18. Gas stay (if equipped) |
| 19. Gas stay bracket | 20. Tail gate cover | 21. Rubber bumper |
| 22. Tail gate latch assembly (LH/RH) | | |

Removal and Installation

INFOID:000000011560172

CAUTION:

Use two people when removing or installing tail gate assembly due to its heavy weight.

TAIL GATE

Removal

1. Lower tail gate to access rear camera harness connector bracket (if equipped). Release tab on bracket, then pull out rear camera harness and disconnect connector.
2. Release tail gate stay assembly (LH/RH).

A
B
C
D
E
F
G
H
I
J
L
M
N
O
P

DLK

TAIL GATE

< REMOVAL AND INSTALLATION >

3. While holding tail gate at 45 degree angle, pull tail gate out from hinge assembly (LH), then slide tail gate out of hinge assembly (RH) and remove.

Installation

Installation is in the reverse order of removal.

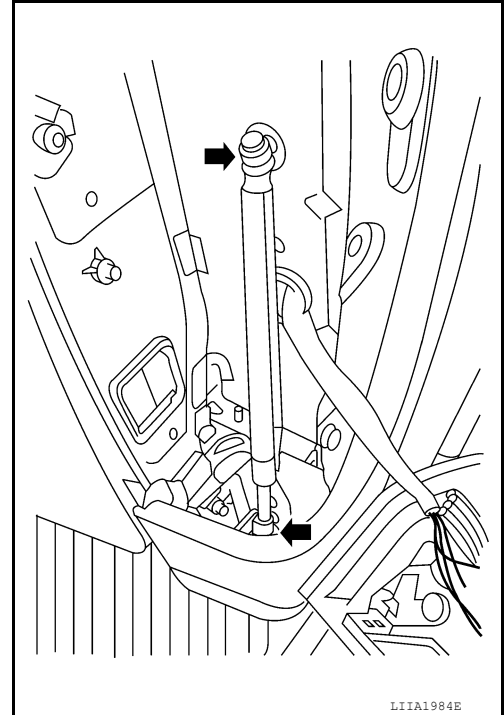
GAS STAY

Removal

WARNING:

The gas stay is under high pressure. Remove the gas stay only with the tail gate fully closed. Injury may result if the gas stay is removed when the tail gate is open.

1. Remove the (RH) rear combination lamp assembly. Refer to [EXL-149. "Removal and Installation"](#).
2. Remove the gas stay.



Installation

Installation is in the reverse order of removal.

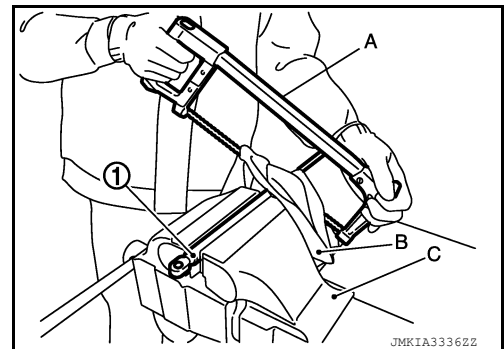
Tail Gate Gas Stay Disposal

INFOID:000000011560173

1. Fix tail gate gas stay (1) using a vise (C).
2. Using hacksaw (A) slowly make 2 holes in the tail gate gas stay, in numerical order as shown.

CAUTION:

- When cutting a hole on tail gate gas stay, always cover hacksaw with shop cloths (B) to avoid scattering metal fragments or oil.
- Wear eye protection (safety glasses).
- Wear gloves.

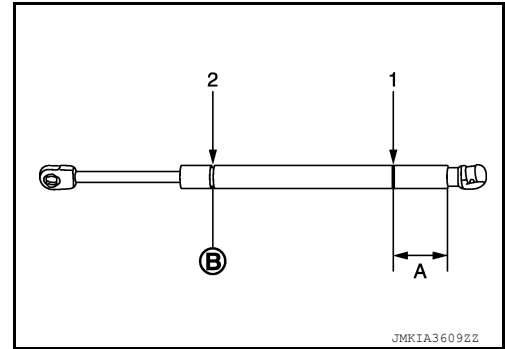


TAIL GATE

< REMOVAL AND INSTALLATION >

A: 20 mm. (0.8 in)

B: Cut at the groove.



A

B

C

D

E

F

G

H

I

J

DLK

L

M

N

O

P

DOOR SWITCH

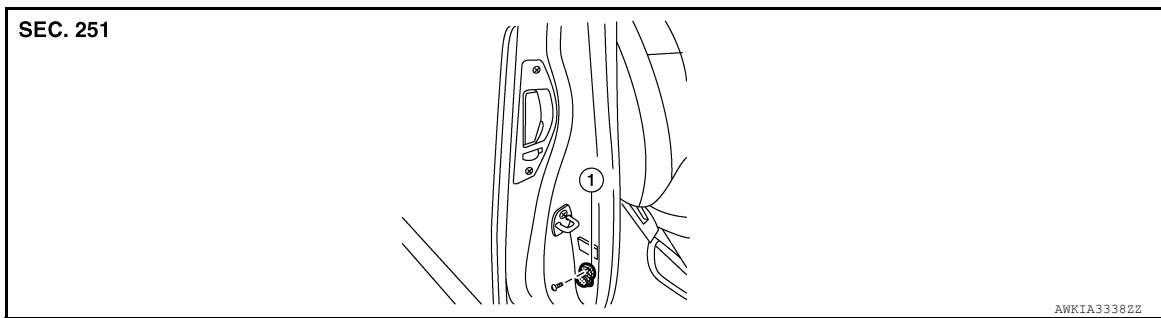
< REMOVAL AND INSTALLATION >

DOOR SWITCH

Exploded View

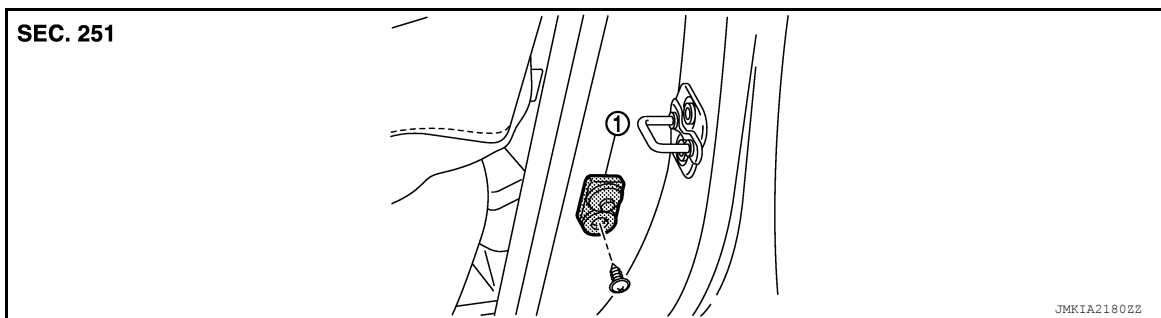
INFOID:000000011875169

KING CAB



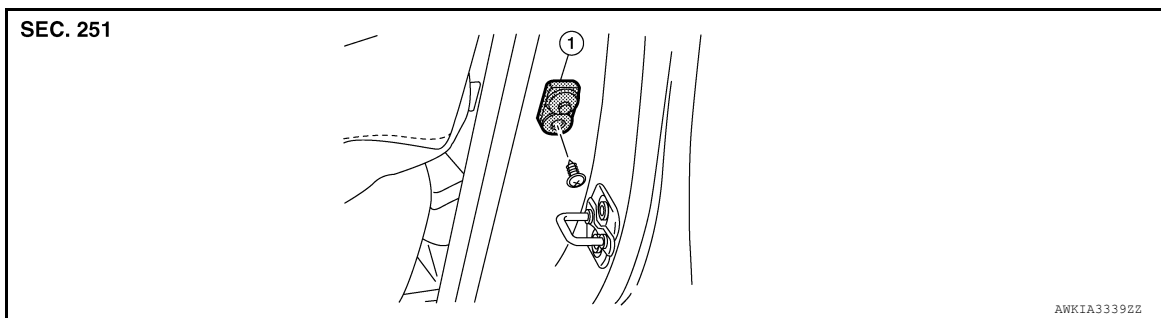
1. Door switch

CREW CAB FRONT DOOR



1. Door switch

CREW CAB REAR DOOR



1. Door switch

Removal and Installation

INFOID:000000011875170

REMOVAL

1. Remove the door switch screw.
2. Disconnect the harness connector from door switch and remove.

INSTALLATION

Installation is in the reverse order of removal.