

SECTION IP
INSTRUMENT PANEL

A
 B
 C
 D
 E
 F
 G
 H
 I
IP
 K
 L
 M
 N
 O
 P

CONTENTS

PRECAUTION	2	CLUSTER LID C	15
PRECAUTIONS	2	Exploded View	15
Precaution for Supplemental Restraint System (SRS) "AIR BAG" and "SEAT BELT PRE-TENSIONER"	2	Removal and Installation	15
Precaution for Work	2	CLUSTER LID D	16
PREPARATION	3	Exploded View	16
PREPARATION	3	Removal and Installation	16
Special Service Tool	3	INSTRUMENT LOWER PANEL RH AND GLOVE BOX	17
Commercial Service Tool	3	Removal and Installation	17
SYMPTOM DIAGNOSIS	4	INSTRUMENT LOWER PANEL LH	18
SQUEAK AND RATTLE TROUBLE DIAGNOSES	4	Removal and Installation	18
Work Flow	4	A/T FINISHER	19
Generic Squeak and Rattle Troubleshooting	5	Removal and Installation	19
Diagnostic Worksheet	8	CENTER CONSOLE	20
REMOVAL AND INSTALLATION	10	Exploded View	20
INSTRUMENT PANEL ASSEMBLY	10	Removal and Installation	21
Exploded View	10	UNIT DISASSEMBLY AND ASSEMBLY ...	22
Removal and Installation	13	INSTRUMENT LOWER PANEL RH AND GLOVE BOX	22
CLUSTER LID A	14	Exploded View	22
Exploded View	14	Disassembly and Assembly	22
Removal and Installation	14	CENTER CONSOLE ASSEMBLY	24
		Exploded View	24
		Disassembly and Assembly	25

PRECAUTIONS

< PRECAUTION >

PRECAUTION

PRECAUTIONS

Precaution for Supplemental Restraint System (SRS) "AIR BAG" and "SEAT BELT PRE-TENSIONER"

INFOID:000000011560470

The Supplemental Restraint System such as "AIR BAG" and "SEAT BELT PRE-TENSIONER", used along with a front seat belt, helps to reduce the risk or severity of injury to the driver and front passenger for certain types of collision. This system includes seat belt switch inputs and dual stage front air bag modules. The SRS system uses the seat belt switches to determine the front air bag deployment, and may only deploy one front air bag, depending on the severity of a collision and whether the front occupants are belted or unbelted. Information necessary to service the system safely is included in the SR and SB section of this Service Manual.

WARNING:

- To avoid rendering the SRS inoperative, which could increase the risk of personal injury or death in the event of a collision which would result in air bag inflation, all maintenance must be performed by an authorized NISSAN/INFINITI dealer.
- Improper maintenance, including incorrect removal and installation of the SRS, can lead to personal injury caused by unintentional activation of the system. For removal of Spiral Cable and Air Bag Module, see the SR section.
- Do not use electrical test equipment on any circuit related to the SRS unless instructed to in this Service Manual. SRS wiring harnesses can be identified by yellow and/or orange harnesses or harness connectors.

PRECAUTIONS WHEN USING POWER TOOLS (AIR OR ELECTRIC) AND HAMMERS

WARNING:

- When working near the Airbag Diagnosis Sensor Unit or other Airbag System sensors with the Ignition ON or engine running, DO NOT use air or electric power tools or strike near the sensor(s) with a hammer. Heavy vibration could activate the sensor(s) and deploy the air bag(s), possibly causing serious injury.
- When using air or electric power tools or hammers, always switch the Ignition OFF, disconnect the battery and wait at least three minutes before performing any service.

Precaution for Work

INFOID:000000011560471

- When removing or disassembling each component, be careful not to damage or deform it. If a component may be subject to interference, be sure to protect it with a shop cloth.
- When removing (disengaging) components with a screwdriver or similar tool, be sure to wrap the component with a shop cloth or vinyl tape to protect it.
- Protect the removed parts with a shop cloth and prevent them from being dropped.
- Replace a deformed or damaged clip.
- If a part is specified as a non-reusable part, always replace it with a new one.
- Be sure to tighten bolts and nuts securely to the specified torque.
- After installation is complete, be sure to check that each part works properly.
- Follow the steps below to clean components:
 - Water soluble dirt:
 - Dip a soft cloth into lukewarm water, wring the water out of the cloth and wipe the dirty area.
 - Then rub with a soft, dry cloth.
 - Oily dirt:
 - Dip a soft cloth into lukewarm water with mild detergent (concentration: within 2 to 3%) and wipe the dirty area.
 - Then dip a cloth into fresh water, wring the water out of the cloth and wipe the detergent off.
 - Then rub with a soft, dry cloth.
 - Do not use organic solvent such as thinner, benzene, alcohol or gasoline.
 - For genuine leather seats, use a genuine leather seat cleaner.

PREPARATION

< PREPARATION >

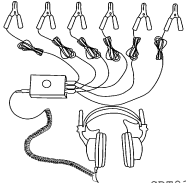

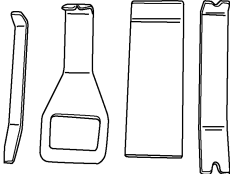
PREPARATION

PREPARATION

Special Service Tool

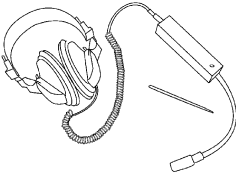

INFOID:000000011560472

The actual shape of the tools may differ from those illustrated here.

Tool number (TechMate No.) Tool name	Description
— (J-39570) Chassis Ear <div style="text-align: center;">  <p>SBT839</p> </div>	Locating the noise
— (J-50397) NISSAN Squeak and Rattle kit <div style="text-align: center;">  <p>ALJIA12322Z</p> </div>	Repairing the cause of noise
— (J-46534) Trim Tool Set <div style="text-align: center;">  <p>ANJIA04832Z</p> </div>	Removing trim components

Commercial Service Tool

INFOID:000000011560473

(TechMate No.) Tool name	Description
(J-39565) Engine Ear <div style="text-align: center;">  <p>SIIA0995E</p> </div>	Locating the noise
(—) Power Tool <div style="text-align: center;">  <p>PIIB1407E</p> </div>	Loosening nuts, screws and bolts

SQUEAK AND RATTLE TROUBLE DIAGNOSES

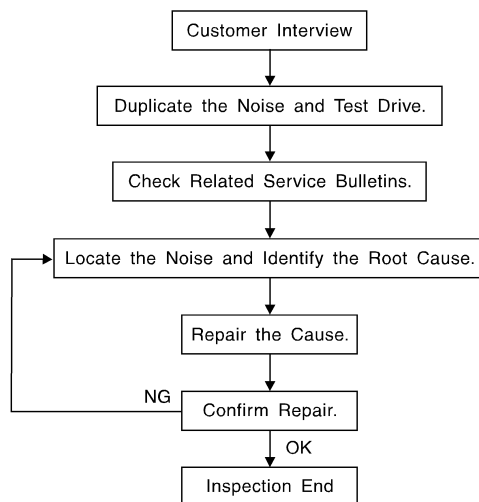
< SYMPTOM DIAGNOSIS >

SYMPTOM DIAGNOSIS

SQUEAK AND RATTLE TROUBLE DIAGNOSES

Work Flow

INFOID:0000000011560474



SBT842

CUSTOMER INTERVIEW

Interview the customer if possible, to determine the conditions that exist when the noise occurs. Use the Diagnostic Worksheet during the interview to document the facts and conditions when the noise occurs and any customer's comments; refer to [IP-8, "Diagnostic Worksheet"](#). This information is necessary to duplicate the conditions that exist when the noise occurs.

- The customer may not be able to provide a detailed description or the location of the noise. Attempt to obtain all the facts and conditions that exist when the noise occurs (or does not occur).
- If there is more than one noise in the vehicle, be sure to diagnose and repair the noise that the customer is concerned about. This can be accomplished by test driving the vehicle with the customer.
- After identifying the type of noise, isolate the noise in terms of its characteristics. The noise characteristics are provided so the customer, service adviser and technician are all speaking the same language when defining the noise.
- Squeak —(Like tennis shoes on a clean floor)
Squeak characteristics include the light contact/fast movement/brought on by road conditions/hard surfaces = higher pitch noise/softer surfaces = lower pitch noises/edge to surface = chirping.
- Creak—(Like walking on an old wooden floor)
Creak characteristics include firm contact/slow movement/twisting with a rotational movement/pitch dependent on materials/often brought on by activity.
- Rattle—(Like shaking a baby rattle)
Rattle characteristics include the fast repeated contact/vibration or similar movement/loose parts/missing clip or fastener/incorrect clearance.
- Knock —(Like a knock on a door)
Knock characteristics include hollow sounding/sometimes repeating/often brought on by driver action.
- Tick—(Like a clock second hand)
Tick characteristics include gentle contacting of light materials/loose components/can be caused by driver action or road conditions.
- Thump—(Heavy, muffled knock noise)
Thump characteristics include softer knock/dead sound often brought on by activity.
- Buzz—(Like a bumble bee)
Buzz characteristics include high frequency rattle/firm contact.
- Often the degree of acceptable noise level will vary depending upon the person. A noise that you may judge as acceptable may be very irritating to the customer.
- Weather conditions, especially humidity and temperature, may have a great effect on noise level.

DUPLICATE THE NOISE AND TEST DRIVE

SQUEAK AND RATTLE TROUBLE DIAGNOSES

< SYMPTOM DIAGNOSIS >

If possible, drive the vehicle with the customer until the noise is duplicated. Note any additional information on the Diagnostic Worksheet regarding the conditions or location of the noise. This information can be used to duplicate the same conditions when you confirm the repair.

If the noise can be duplicated easily during the test drive, to help identify the source of the noise, try to duplicate the noise with the vehicle stopped by doing one or all of the following:

- 1) Close a door.
 - 2) Tap or push/pull around the area where the noise appears to be coming from.
 - 3) Rev the engine.
 - 4) Use a floor jack to recreate vehicle "twist".
 - 5) At idle, apply engine load (electrical load, half-clutch on M/T model, drive position on CVT and A/T models).
 - 6) Raise the vehicle on a hoist and hit a tire with a rubber hammer.
- Drive the vehicle and attempt to duplicate the conditions the customer states exist when the noise occurs.
 - If it is difficult to duplicate the noise, drive the vehicle slowly on an undulating or rough road to stress the vehicle body.

CHECK RELATED SERVICE BULLETINS

After verifying the customer concern or symptom, check ASIST for Technical Service Bulletins (TSBs) related to that concern or symptom.

If a TSB relates to the symptom, follow the procedure to repair the noise.

LOCATE THE NOISE AND IDENTIFY THE ROOT CAUSE

1. Narrow down the noise to a general area. To help pinpoint the source of the noise, use a listening tool (Chassis Ear: J-39570, Engine Ear: J-39565 and mechanic's stethoscope).
2. Narrow down the noise to a more specific area and identify the cause of the noise by:
 - removing the components in the area that you suspect the noise is coming from.
Do not use too much force when removing clips and fasteners, otherwise clips and fasteners can be broken or lost during the repair, resulting in the creation of new noise.
 - tapping or pushing/pulling the component that you suspect is causing the noise.
Do not tap or push/pull the component with excessive force, otherwise the noise will be eliminated only temporarily.
 - feeling for a vibration with your hand by touching the component(s) that you suspect is (are) causing the noise.
 - placing a piece of paper between components that you suspect are causing the noise.
 - looking for loose components and contact marks.Refer to [IP-5, "Generic Squeak and Rattle Troubleshooting"](#).

REPAIR THE CAUSE

- If the cause is a loose component, tighten the component securely.
- If the cause is insufficient clearance between components:
 - separate components by repositioning or loosening and retightening the component, if possible.
 - insulate components with a suitable insulator such as urethane pads, foam blocks, felt cloth tape or urethane tape. A NISSAN Squeak and Rattle Kit (J-50397) is available through your authorized NISSAN Parts Department.

CAUTION:

Do not use excessive force as many components are constructed of plastic and may be damaged.

NOTE:

- Always check with the Parts Department for the latest parts information.
- The materials contained in the NISSAN Squeak and Rattle Kit (J-50397) are listed on the inside cover of the kit; and can each be ordered separately as needed.
- The following materials not found in the kit can also be used to repair squeaks and rattles.
 - SILICONE GREASE: Use instead of UHMW tape that will be visible or does not fit. The silicone grease will only last a few months.
 - SILICONE SPRAY: Use when grease cannot be applied.
 - DUCT TAPE: Use to eliminate movement.

CONFIRM THE REPAIR

Confirm that the cause of a noise is repaired by test driving the vehicle. Operate the vehicle under the same conditions as when the noise originally occurred. Refer to the notes on the Diagnostic Worksheet.

Generic Squeak and Rattle Troubleshooting

INFOID:000000011560475

Refer to Table of Contents for specific component removal and installation information.

SQUEAK AND RATTLE TROUBLE DIAGNOSES

< SYMPTOM DIAGNOSIS >

INSTRUMENT PANEL

Most incidents are caused by contact and movement between:

1. Cluster lid A and the instrument panel
2. Acrylic lens and combination meter housing
3. Instrument panel to front pillar finisher
4. Instrument panel to windshield
5. Instrument panel pins
6. Wiring harnesses behind the combination meter
7. A/C defroster duct and duct joint

These incidents can usually be located by tapping or moving the components to duplicate the noise or by pressing on the components while driving to stop the noise. Most of these incidents can be repaired by applying felt cloth tape or silicone spray (in hard to reach areas). Urethane pads can be used to insulate wiring harness.

CAUTION:

Do not use silicone spray to isolate a squeak or rattle. If you saturate the area with silicone, you will not be able to recheck the repair.

CENTER CONSOLE

Components to pay attention to include:

1. Shift selector assembly cover to finisher
2. A/C control unit and cluster lid C
3. Wiring harnesses behind audio and A/C control unit

The instrument panel repair and isolation procedures also apply to the center console.

DOORS

Pay attention to the:

1. Finisher and inner panel making a slapping noise
2. Inside handle escutcheon to door finisher
3. Wiring harnesses tapping
4. Door striker out of alignment causing a popping noise on starts and stops

Tapping or moving the components or pressing on them while driving to duplicate the conditions can isolate many of these incidents. You can usually insulate the areas with felt cloth tape or insulator foam blocks from the NISSAN Squeak and Rattle Kit (J-50397) to repair the noise.

TRUNK

Trunk noises are often caused by a loose jack or loose items put into the trunk by the owner.

In addition look for:

1. Trunk lid bumpers out of adjustment
2. Trunk lid striker out of adjustment
3. The trunk lid torsion bars knocking together
4. A loose license plate or bracket

Most of these incidents can be repaired by adjusting, securing or insulating the item(s) or component(s) causing the noise.

SUNROOF/HEADLINING

Noises in the sunroof/headlining area can often be traced to one of the following:

1. Sunroof lid, rail, linkage or seals making a rattle or light knocking noise
2. Sun visor shaft shaking in the holder
3. Front or rear windshield touching headlining and squeaking

Again, pressing on the components to stop the noise while duplicating the conditions can isolate most of these incidents. Repairs usually consist of insulating with felt cloth tape.

OVERHEAD CONSOLE (FRONT AND REAR)

Overhead console noises are often caused by the console panel clips not being engaged correctly. Most of these incidents are repaired by pushing up on the console at the clip locations until the clips engage.

In addition look for:

SQUEAK AND RATTLE TROUBLE DIAGNOSES

< SYMPTOM DIAGNOSIS >

1. Loose harness or harness connectors.
2. Front console map/reading lamp lens loose.
3. Loose screws at console attachment points.

A

SEATS

When isolating seat noise it's important to note the position the seat is in and the load placed on the seat when the noise is present. These conditions should be duplicated when verifying and isolating the cause of the noise.

B

Cause of seat noise include:

C

1. Headrest rods and holder
2. A squeak between the seat pad cushion and frame
3. The rear seatback lock and bracket

D

These noises can be isolated by moving or pressing on the suspected components while duplicating the conditions under which the noise occurs. Most of these incidents can be repaired by repositioning the component or applying urethane tape to the contact area.

E

UNDERHOOD

Some interior noise may be caused by components under the hood or on the engine wall. The noise is then transmitted into the passenger compartment.

F

Causes of transmitted underhood noise include:

1. Any component installed to the engine wall
2. Components that pass through the engine wall
3. Engine wall mounts and connectors
4. Loose radiator installation pins
5. Hood bumpers out of adjustment
6. Hood striker out of adjustment

G

H

These noises can be difficult to isolate since they cannot be reached from the interior of the vehicle. The best method is to secure, move or insulate one component at a time and test drive the vehicle. Also, engine rpm or load can be changed to isolate the noise. Repairs can usually be made by moving, adjusting, securing, or insulating the component causing the noise.

I

IP

K

L

M

N

O

P

SQUEAK AND RATTLE TROUBLE DIAGNOSES

< SYMPTOM DIAGNOSIS >

Diagnostic Worksheet

INFOID:000000011560476

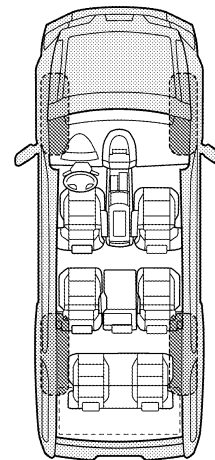
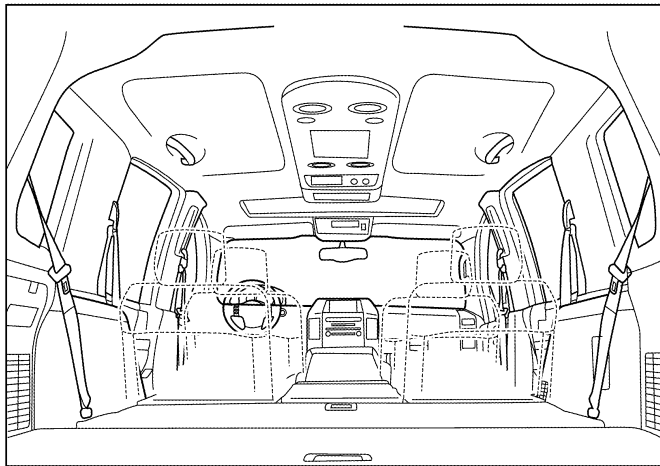
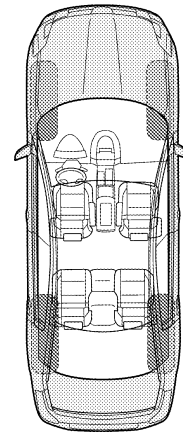
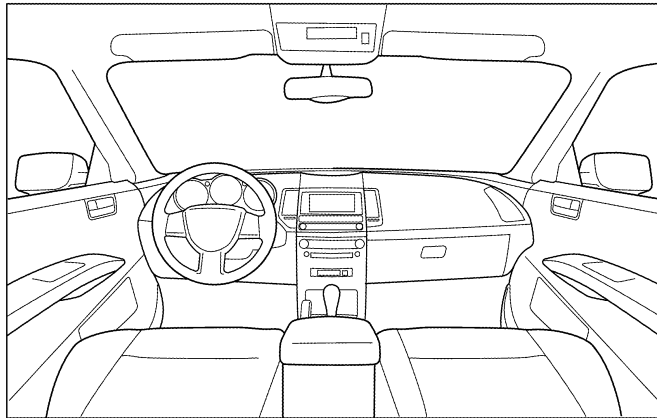
Dear Customer:

We are concerned about your satisfaction with your vehicle. Repairing a squeak or rattle sometimes can be very difficult. To help us fix your vehicle right the first time, please take a moment to note the area of the vehicle where the squeak or rattle occurs and under what conditions. You may be asked to take a test drive with a service advisor or technician to ensure we confirm the noise you are hearing.

SQUEAK & RATTLE DIAGNOSTIC WORKSHEET

I. WHERE DOES THE NOISE COME FROM? (circle the area of the vehicle)

The illustrations are for reference only, and may not reflect the actual configuration of your vehicle.



Continue to page 2 of the worksheet and briefly describe the location of the noise or rattle. In addition, please indicate the conditions which are present when the noise occurs.

SQUEAK AND RATTLE TROUBLE DIAGNOSES

< SYMPTOM DIAGNOSIS >

SQUEAK & RATTLE DIAGNOSTIC WORKSHEET - page 2

Briefly describe the location where the noise occurs:

II. WHEN DOES IT OCCUR? (please check the boxes that apply)

- | | |
|---|--|
| <input type="checkbox"/> Anytime | <input type="checkbox"/> After sitting out in the rain |
| <input type="checkbox"/> 1st time in the morning | <input type="checkbox"/> When it is raining or wet |
| <input type="checkbox"/> Only when it is cold outside | <input type="checkbox"/> Dry or dusty conditions |
| <input type="checkbox"/> Only when it is hot outside | <input type="checkbox"/> Other: |

III. WHEN DRIVING:

- Through driveways
- Over rough roads
- Over speed bumps
- Only about ____ mph
- On acceleration
- Coming to a stop
- On turns: left, right or either (circle)
- With passengers or cargo
- Other: _____
- After driving ____ miles or ____ minutes

IV. WHAT TYPE OF NOISE

- Squeak (like tennis shoes on a clean floor)
- Creak (like walking on an old wooden floor)
- Rattle (like shaking a baby rattle)
- Knock (like a knock at the door)
- Tick (like a clock second hand)
- Thump (heavy muffled knock noise)
- Buzz (like a bumble bee)

TO BE COMPLETED BY DEALERSHIP PERSONNEL

Test Drive Notes:

	YES	NO	Initials of person performing
Vehicle test driven with customer	<input type="checkbox"/>	<input type="checkbox"/>	_____
- Noise verified on test drive	<input type="checkbox"/>	<input type="checkbox"/>	_____
- Noise source located and repaired	<input type="checkbox"/>	<input type="checkbox"/>	_____
- Follow up test drive performed to confirm repair	<input type="checkbox"/>	<input type="checkbox"/>	_____

VIN: _____ Customer Name _____

W.O.# _____ Date: _____

This form must be attached to Work Order

LATA0071E

INSTRUMENT PANEL ASSEMBLY

< REMOVAL AND INSTALLATION >

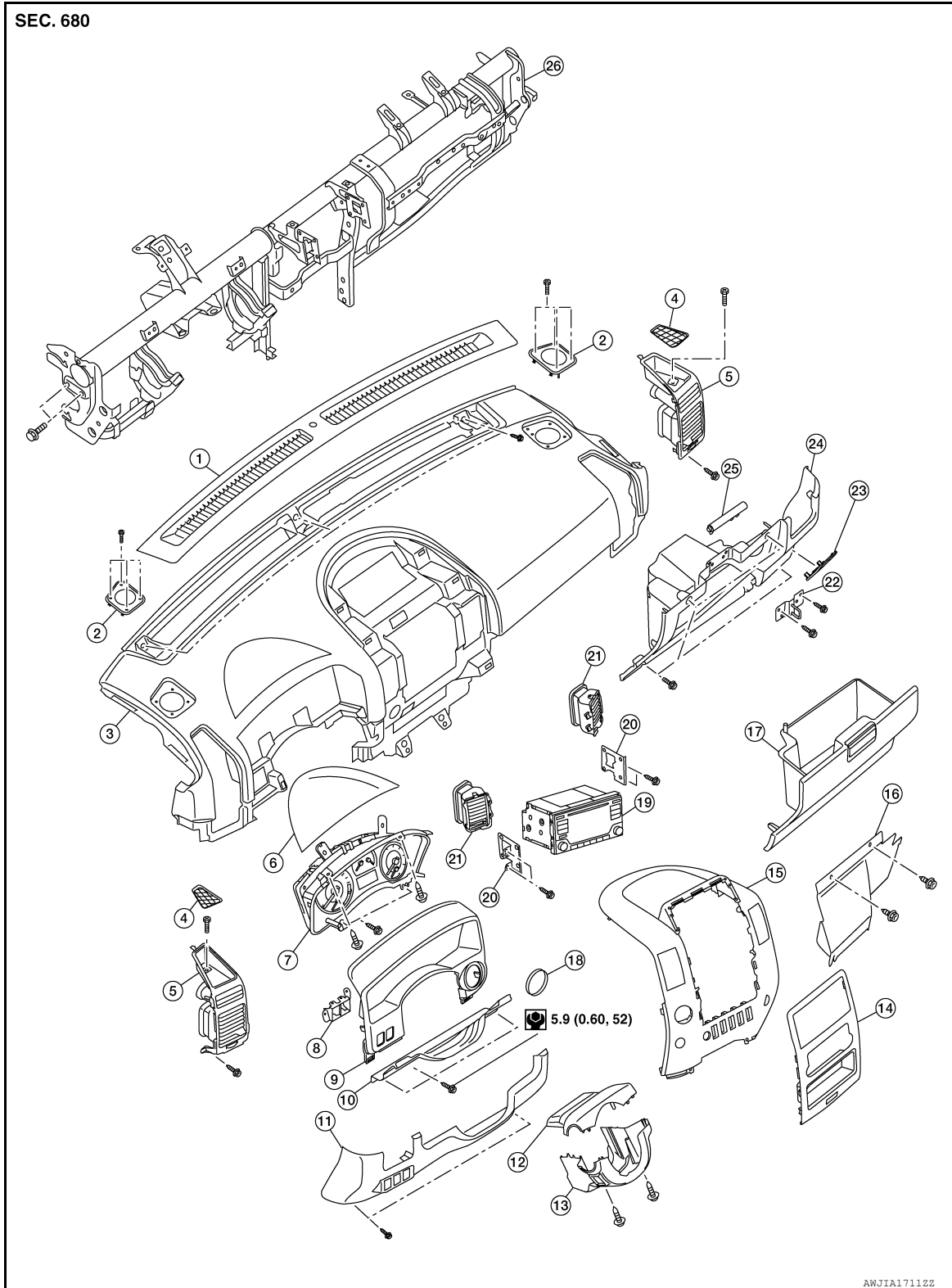
REMOVAL AND INSTALLATION

INSTRUMENT PANEL ASSEMBLY

Exploded View

INFOID:000000011560477

TYPE 1



INSTRUMENT PANEL ASSEMBLY

< REMOVAL AND INSTALLATION >

- | | | | |
|------------------------------------|-------------------------------------|--|---|
| 1. Defroster grille | 2. Speaker grille (RH/LH) | 3. Instrument panel and pad assembly | A |
| 4. Deck pocket mat (RH/LH) | 5. Side ventilator assembly (RH/LH) | 6. Instrument panel upper cover | |
| 7. Combination meter | 8. Switch assembly | 9. Cluster lid A | |
| 10. Lower knee protector | 11. Instrument lower panel LH | 12. Steering column upper cover | B |
| 13. Steering column lower cover | 14. Cluster lid D | 15. Cluster lid C | |
| 16. Instrument lower cover RH | 17. Glove box | 18. Ignition switch escutcheon | |
| 19. Audio unit | 20. Audio bracket (RH/LH) | 21. Center ventilator assembly (RH/LH) | C |
| 22. Glove box lid striker | 23. Fuse block cover | 24. Instrument lower panel RH | |
| 25. Glove box damper (if equipped) | 26. Steering member | | D |

E

F

G

H

I

IP

K

L

M

N

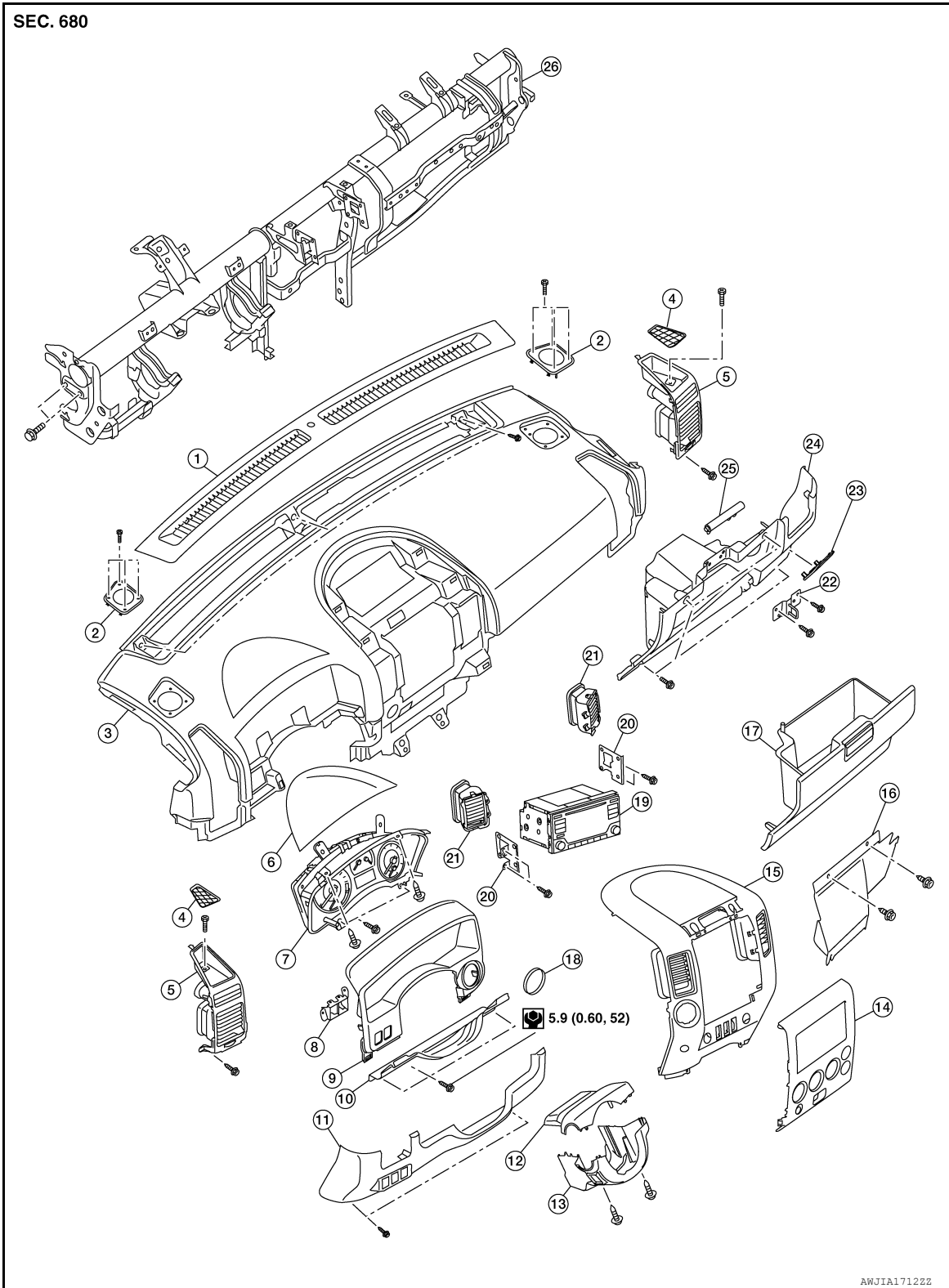
O

P

INSTRUMENT PANEL ASSEMBLY

< REMOVAL AND INSTALLATION >

TYPE 2



- | | | |
|---------------------------------|-------------------------------------|--|
| 1. Defroster grille | 2. Speaker grille (RH/LH) | 3. Instrument panel and pad assembly |
| 4. Deck pocket mat (RH/LH) | 5. Side ventilator assembly (RH/LH) | 6. Instrument panel upper cover |
| 7. Combination meter | 8. Switch assembly | 9. Cluster lid A |
| 10. Lower knee protector | 11. Instrument lower panel LH | 12. Steering column upper cover |
| 13. Steering column lower cover | 14. Cluster lid D | 15. Cluster lid C |
| 16. Instrument lower cover RH | 17. Glove box | 18. Ignition switch escutcheon |
| 19. Audio unit | 20. Audio bracket (RH/LH) | 21. Center ventilator assembly (RH/LH) |

INSTRUMENT PANEL ASSEMBLY

< REMOVAL AND INSTALLATION >

- | | | |
|------------------------------------|----------------------|-------------------------------|
| 22. Glove box lid striker | 23. Fuse block cover | 24. Instrument lower panel RH |
| 25. Glove box damper (if equipped) | 26. Steering member | |

Removal and Installation

INFOID:0000000011560478

REMOVAL

CAUTION:

Disconnect both the negative and positive battery terminals, then wait at least three minutes.

1. Disconnect the negative and positive battery terminals, then wait at least three minutes.
2. Remove the A/T finisher. Refer to [IP-19, "Removal and Installation"](#).
3. Remove the front center console assembly upper screws.
4. Remove instrument lower panel RH and glove box assembly. Refer to [IP-17, "Removal and Installation"](#).
5. Remove center console lower cover (RH/LH), then remove front center console assembly lower screws.
6. Open the console lid assembly and remove console bin mat, then remove the rear inner screws.
7. Move front seats forward.
8. Remove lower center console assembly screws at the rear.
9. Move the center console assembly rearward slightly to create additional clearance when removing the instrument panel and pad assembly.
10. Remove the spiral cable. Refer to [SR-13, "Removal and Installation"](#).
11. Remove the combination meter. Refer to [MWI-95, "Removal and Installation"](#).
12. Release instrument panel upper cover clips and remove instrument panel upper cover.
13. Disconnect rear sonar speaker harness connector (if equipped).
14. Remove cluster lid C. Refer to [IP-15, "Removal and Installation"](#).
15. Remove display unit (if equipped). Refer to [AV-337, "Removal and Installation"](#).
16. Release the defroster grille clips and pawls, disconnect the optical sensor harness connector and remove defroster grille.
17. Remove side ventilator assembly bolts and side ventilator assemblies (RH/LH).
18. Remove the front pillar finishers (RH/LH). Refer to [INT-15, "Removal and Installation"](#).
19. Disconnect the speaker harness connectors (RH/LH/center) through the openings of removed components.
20. Remove the passenger air bag nuts and disconnect the connectors. Refer to [SR-15, "Removal and Installation"](#).
21. Disconnect the harness connectors from the remaining optional equipment (if equipped).
22. Remove instrument panel and pad assembly.

INSTALLATION

Installation is in the reverse order of removal.

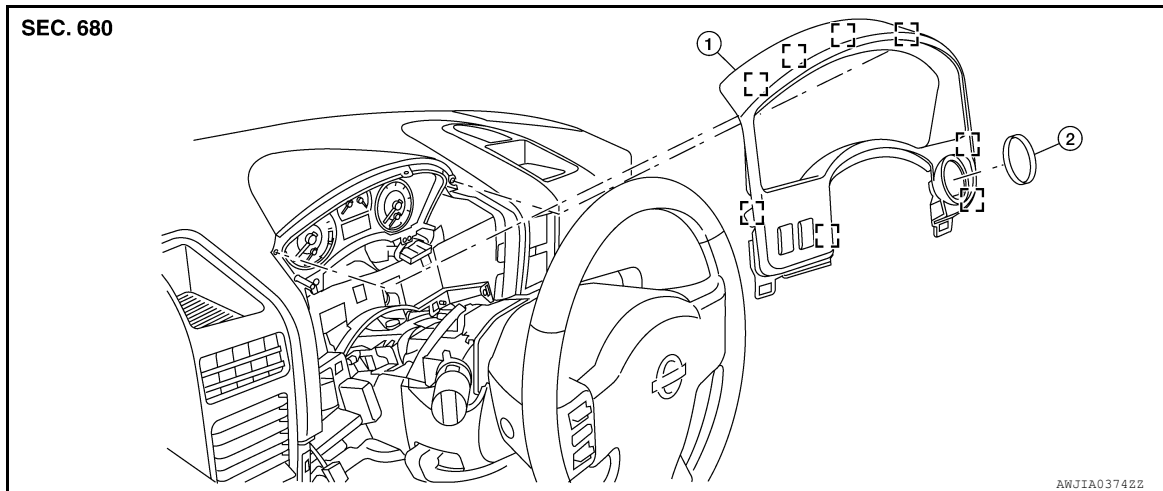
CLUSTER LID A

< REMOVAL AND INSTALLATION >

CLUSTER LID A


Exploded View

INFOID:000000011560479



1. Cluster lid A

2. Ignition switch escutcheon

 Metal Clip

Removal and Installation

INFOID:000000011560480

REMOVAL

1. Remove the instrument lower panel LH. Refer to [IP-18. "Removal and Installation"](#).
2. Tilt the steering wheel to the lowest position, then remove steering column upper cover.
3. Remove ignition switch escutcheon.
4. Pull cluster lid A rearward in vehicle to release the clips.
5. Disconnect the harness connectors from the cluster lid A and remove.

INSTALLATION

Installation is in the reverse order of removal.

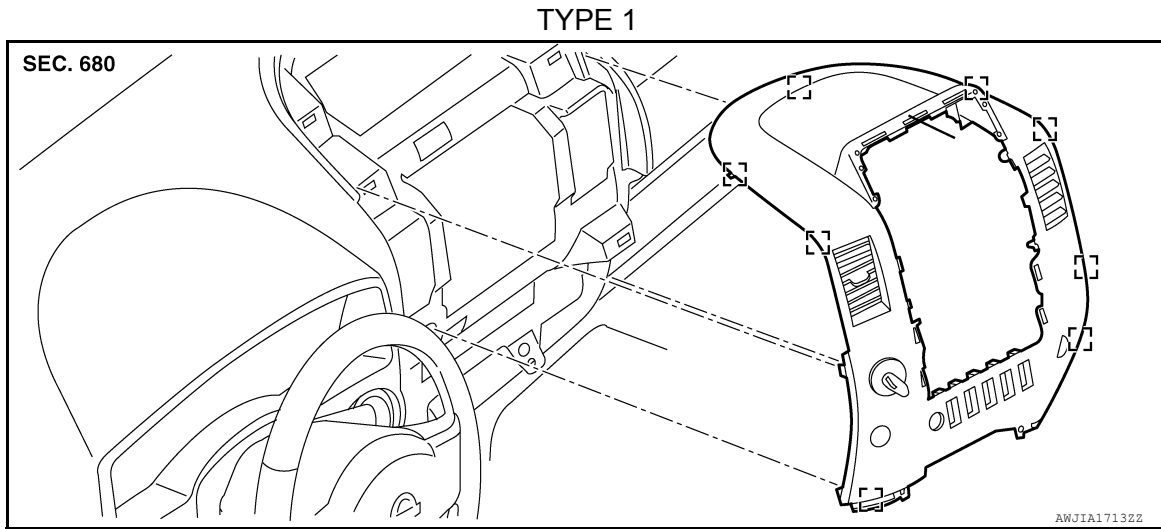
CLUSTER LID C

< REMOVAL AND INSTALLATION >

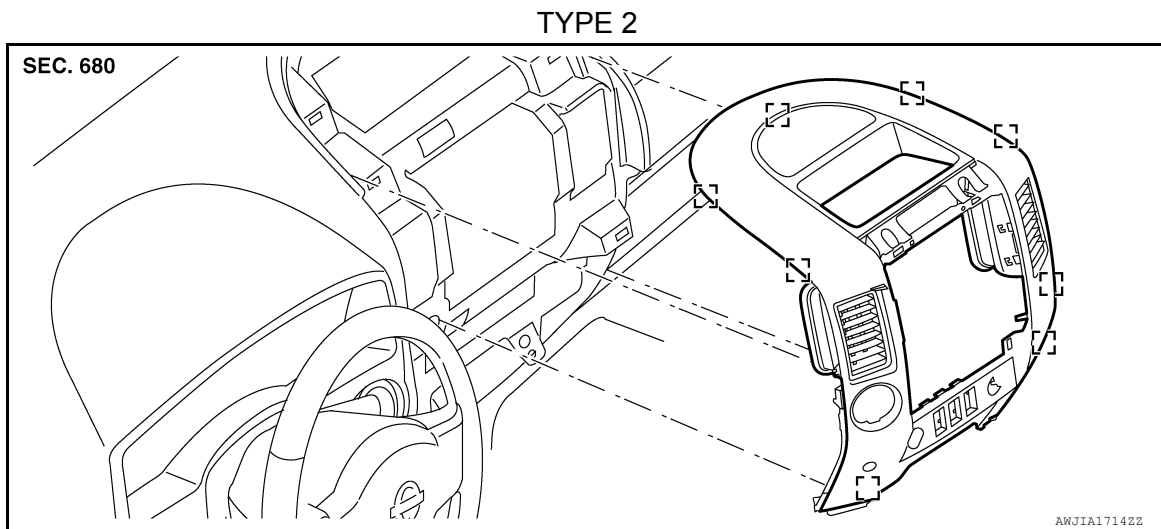
CLUSTER LID C

Exploded View

INFOID:000000011560481



 Metal clip



 Metal clip

Removal and Installation

INFOID:000000011560482

REMOVAL

1. Remove the A/T finisher. Refer to [IP-19, "Removal and Installation"](#).
2. Remove instrument lower panel RH and glove box. Refer to [IP-17, "Removal and Installation"](#).
3. Remove instrument lower panel LH. Refer to [IP-18, "Removal and Installation"](#).
4. Remove cluster lid D. Refer to [IP-16, "Removal and Installation"](#).
5. Pull cluster lid C rearward to release the clips.
6. Disconnect the harness connectors from the cluster lid C and remove.

INSTALLATION

Installation is in the reverse order of removal.

A
B
C
D
E
F
G
H
I
IP
K
L
M
N
O
P

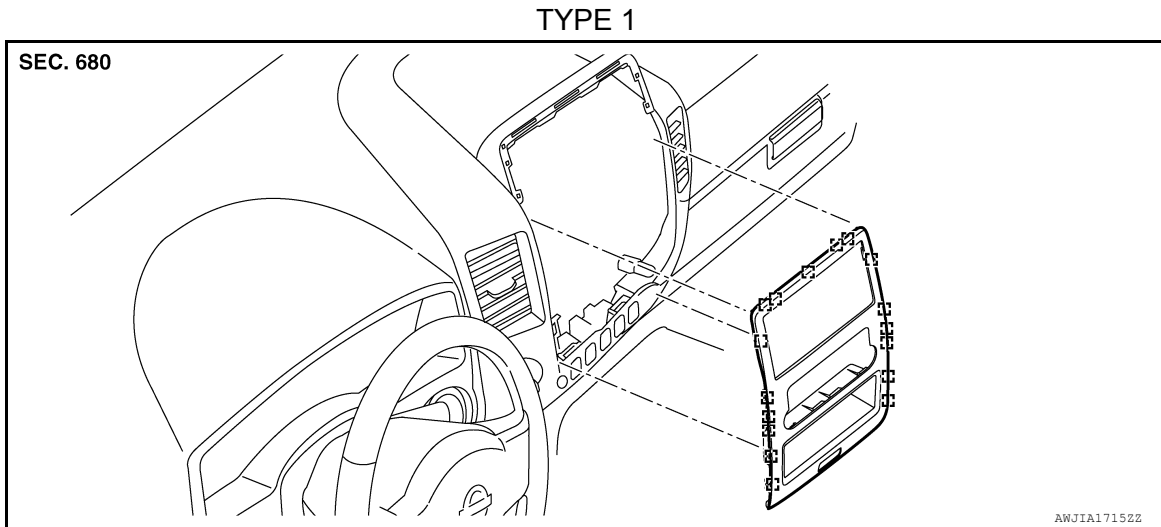
CLUSTER LID D

< REMOVAL AND INSTALLATION >

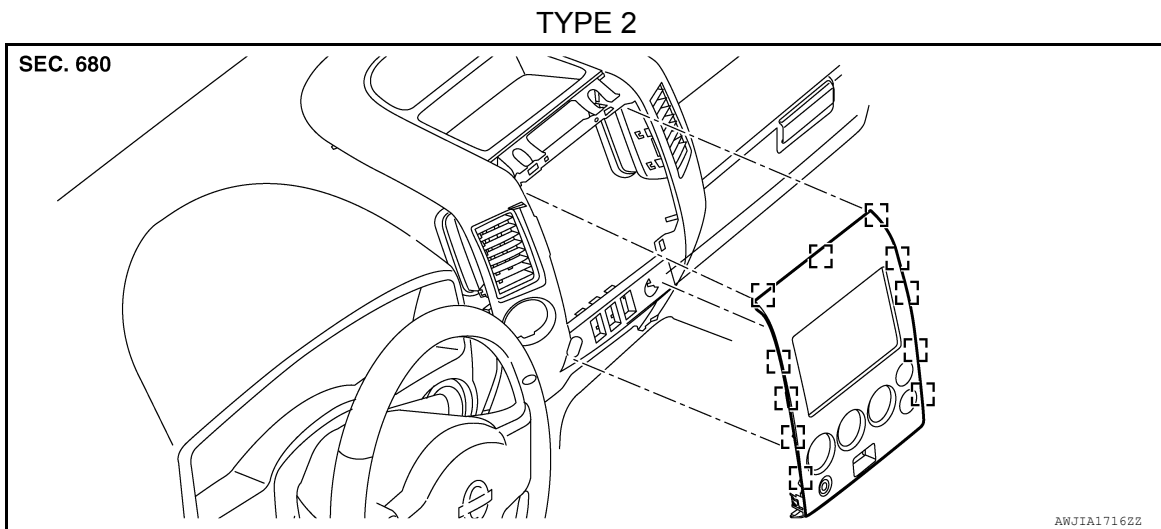
CLUSTER LID D

Exploded View

INFOID:000000011560483



☐ Metal clip



☐ Metal clip

Removal and Installation

INFOID:000000011560484

REMOVAL

1. Pull cluster lid D rearward to release the clips.
2. Disconnect the harness connectors from the cluster lid D and remove.

INSTALLATION

Installation is in the reverse order of removal.

INSTRUMENT LOWER PANEL RH AND GLOVE BOX

< REMOVAL AND INSTALLATION >

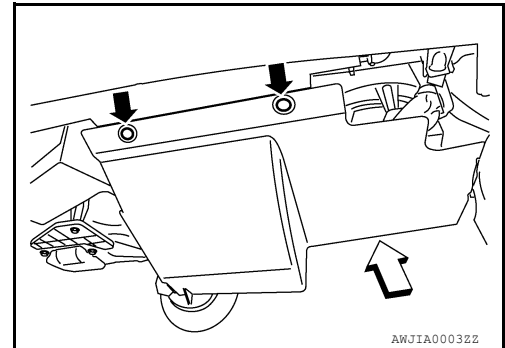
INSTRUMENT LOWER PANEL RH AND GLOVE BOX

Removal and Installation

INFOID:000000011560485

REMOVAL

1. Release the clips, then remove instrument lower cover RH.
↳: Front
2. Remove instrument lower panel RH and glove box screws. Refer to [IP-22. "Exploded View"](#).
3. Disconnect the harness connector, then remove the instrument lower panel RH and glove box.



INSTALLATION

Installation is in the reverse order of removal.

A
B
C
D
E
F
G
H
I
IP
K
L
M
N
O
P

INSTRUMENT LOWER PANEL LH

< REMOVAL AND INSTALLATION >

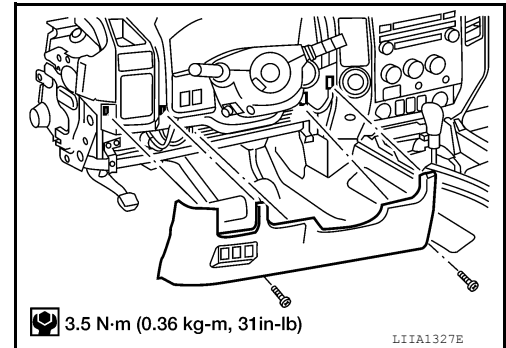
INSTRUMENT LOWER PANEL LH

Removal and Installation

INFOID:000000011560486

REMOVAL

1. Remove instrument lower panel LH screws.
2. Pull instrument lower panel LH rearward to release the clips.
3. Disconnect the harness connectors from the instrument lower panel LH and remove.



INSTALLATION

Installation is in the reverse order of removal.

A/T FINISHER

< REMOVAL AND INSTALLATION >

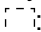
A/T FINISHER


Removal and Installation

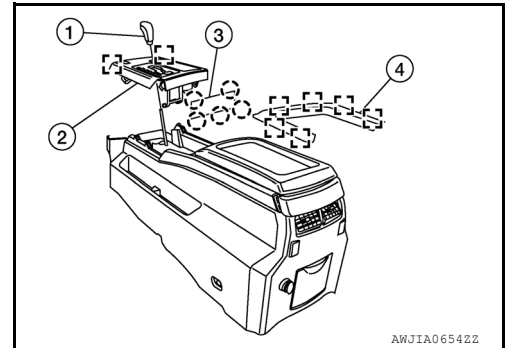
INFOID:000000011560487

REMOVAL

1. Remove the shift selector handle (1).
 - a. Push the shift selector handle cover downward and away from the shift selector handle (1).
 - b. Rotate the shift selector handle (1) counterclockwise to remove.
2. Pull up on the front console upper finisher (4) to release the metal clips and remove it from the front center console assembly.

 Metal clip
3. Pull up on the storage compartment mask (3) to release the pawls and remove it from the front center console assembly.

 Pawl
4. Remove the A/T finisher (2).
 - a. Pull up on A/T finisher (2) to release the metal clips and access the A/T finisher switch harness connectors.
 - b. Disconnect A/T finisher switch harness connectors and remove the A/T finisher (2) from the front center console assembly.



INSTALLATION

Installation is in the reverse order of removal.

A
B
C
D
E
F
G
H
I
IP
K
L
M
N
O
P

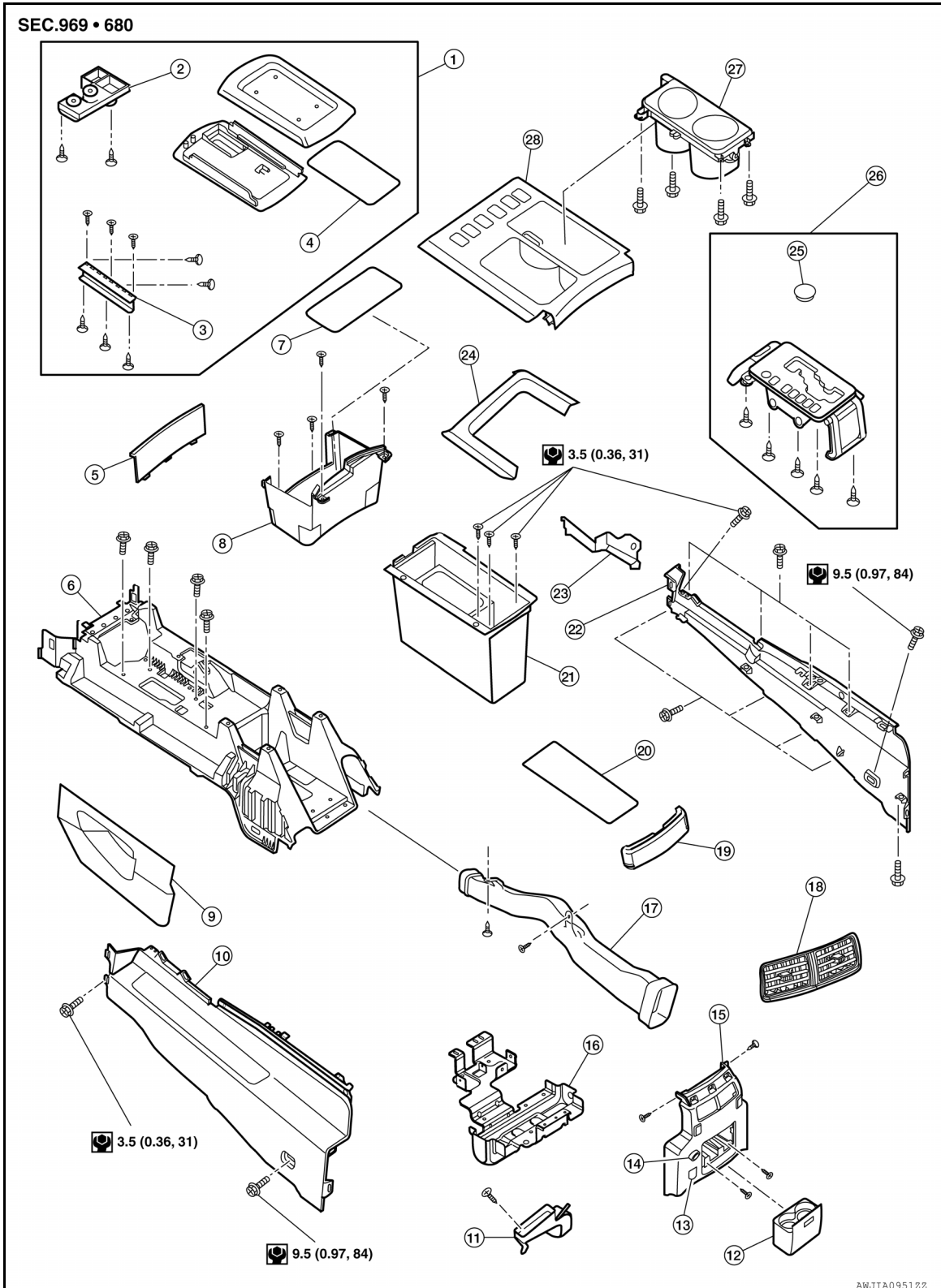
CENTER CONSOLE

< REMOVAL AND INSTALLATION >

CENTER CONSOLE

Exploded View

INFOID:000000011560488



- | | | |
|--------------------------------|-----------------------------|------------------------------------|
| 1. Console lid assembly | 2. Console lid latch | 3. Console lid hinge |
| 4. Console lid bin mat | 5. Storage compartment mask | 6. Console reinforcement assembly |
| 7. Storage compartment bin mat | 8. Storage compartment | 9. Center console lower cover (LH) |

CENTER CONSOLE

< REMOVAL AND INSTALLATION >

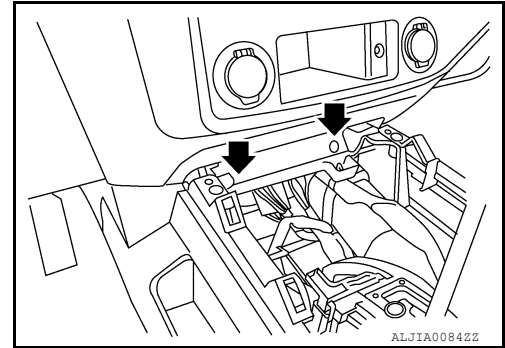
- | | | |
|----------------------------------|-------------------------------------|------------------------------|
| 10. Console cover (LH) | 11. Rear console duct | 12. Rear cup holder assembly |
| 13. A/C 120V outlet front | 14. Console power socket | 15. Rear finisher assembly |
| 16. Console rear bracket | 17. Heat duct | 18. Rear finisher ventilator |
| 19. Rear upper finisher | 20. Console bin mat | 21. Console bin |
| 22. Console cover (RH) | 23. Center console lower cover (RH) | 24. Console upper finisher |
| 25. A/T shift lock release cover | 26. Shift indicator assembly | 27. Cup holder insert |
| 28. A/T finisher | | |

Removal and Installation

INFOID:000000011560489

REMOVAL

1. Remove the A/T finisher. Refer to [IP-19, "Removal and Installation"](#).
2. Remove the front center console assembly upper screws.
3. Remove shift selector assembly. Refer to [TM-189, "A/T Shift Selector Removal and Installation"](#).
4. Remove instrument lower panel RH and glove box assembly. Refer to [IP-17, "Removal and Installation"](#).
5. Remove center console lower cover (RH/LH), then remove front center console assembly lower screws.
6. Open the console lid assembly and remove console bin mat, then remove the rear inner screws.
7. Move front seats forward.
8. Remove lower center console assembly screws at the rear.
9. Release center console assembly from floor and tilt to disconnect harness connectors.
10. Carefully remove center console assembly through rear door opening.



CAUTION:

Always use an assistant to steady the center console assembly during removal from vehicle interior.

INSTALLATION

Installation is in the reverse order of removal.

INSTRUMENT LOWER PANEL RH AND GLOVE BOX

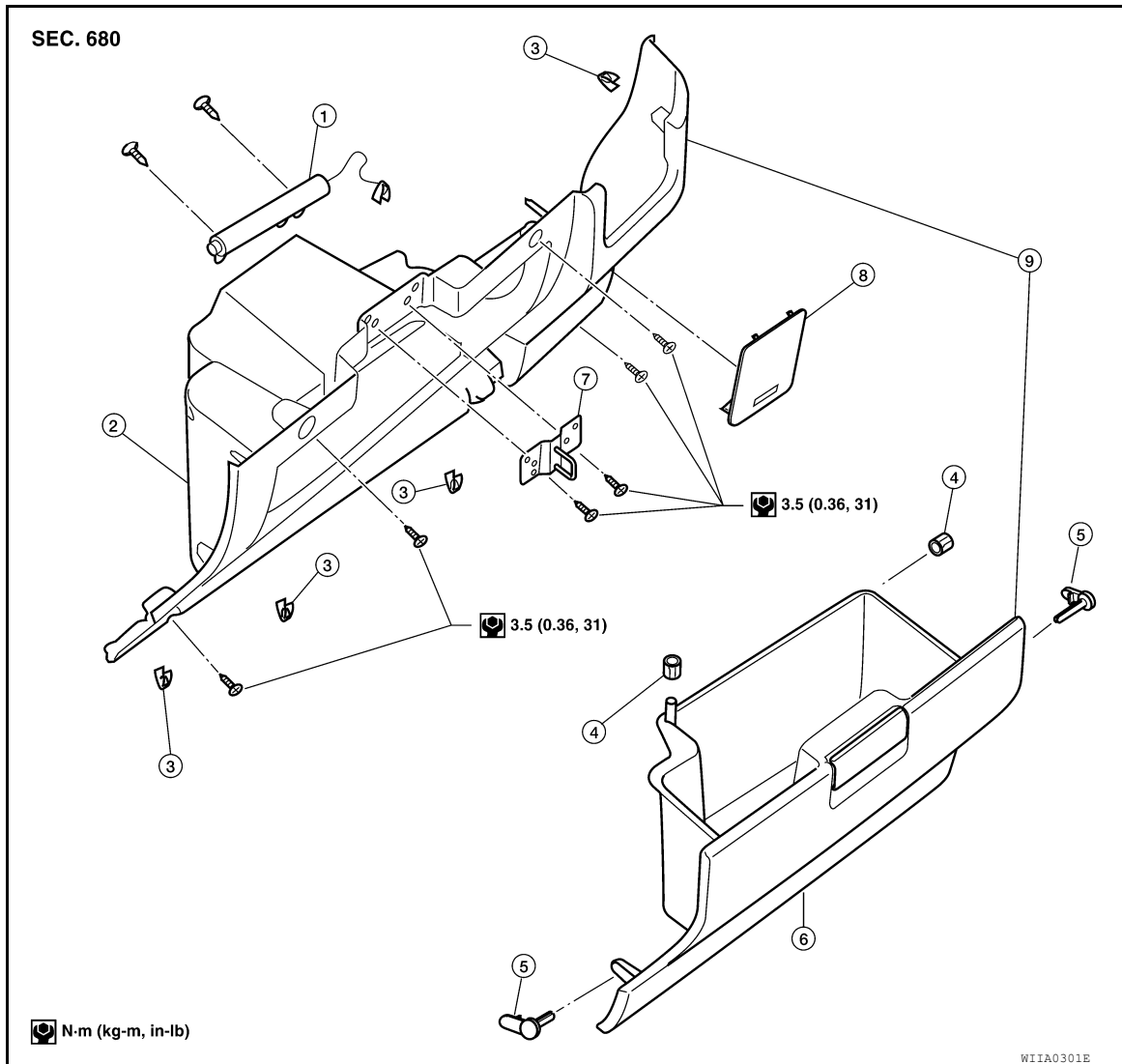
< UNIT DISASSEMBLY AND ASSEMBLY >

UNIT DISASSEMBLY AND ASSEMBLY

INSTRUMENT LOWER PANEL RH AND GLOVE BOX

Exploded View

INFOID:000000011560490



- | | | |
|-----------------------------------|----------------------|---|
| 1. Glove box damper (if equipped) | 2. Glove box housing | 3. Clips |
| 4. Rubber stoppers | 5. Glove box pins | 6. Glove box |
| 7. Glove box striker | 8. Fuse block cover | 9. Instrument lower panel RH and glove box assembly |

Disassembly and Assembly

INFOID:000000011560491

DISASSEMBLY

1. Remove damper clip (if equipped) from glove box.
2. Remove glove box pins and glove box.
3. Remove glove box striker screws, using power tool and remove glove box striker.
4. Remove fuse block cover.
5. Remove glove box damper screws and remove glove box damper (if equipped).

ASSEMBLY

INSTRUMENT LOWER PANEL RH AND GLOVE BOX

< UNIT DISASSEMBLY AND ASSEMBLY >

Assembly is in the reverse order of disassembly.

A

B

C

D

E

F

G

H

I

IP

K

L

M

N

O

P

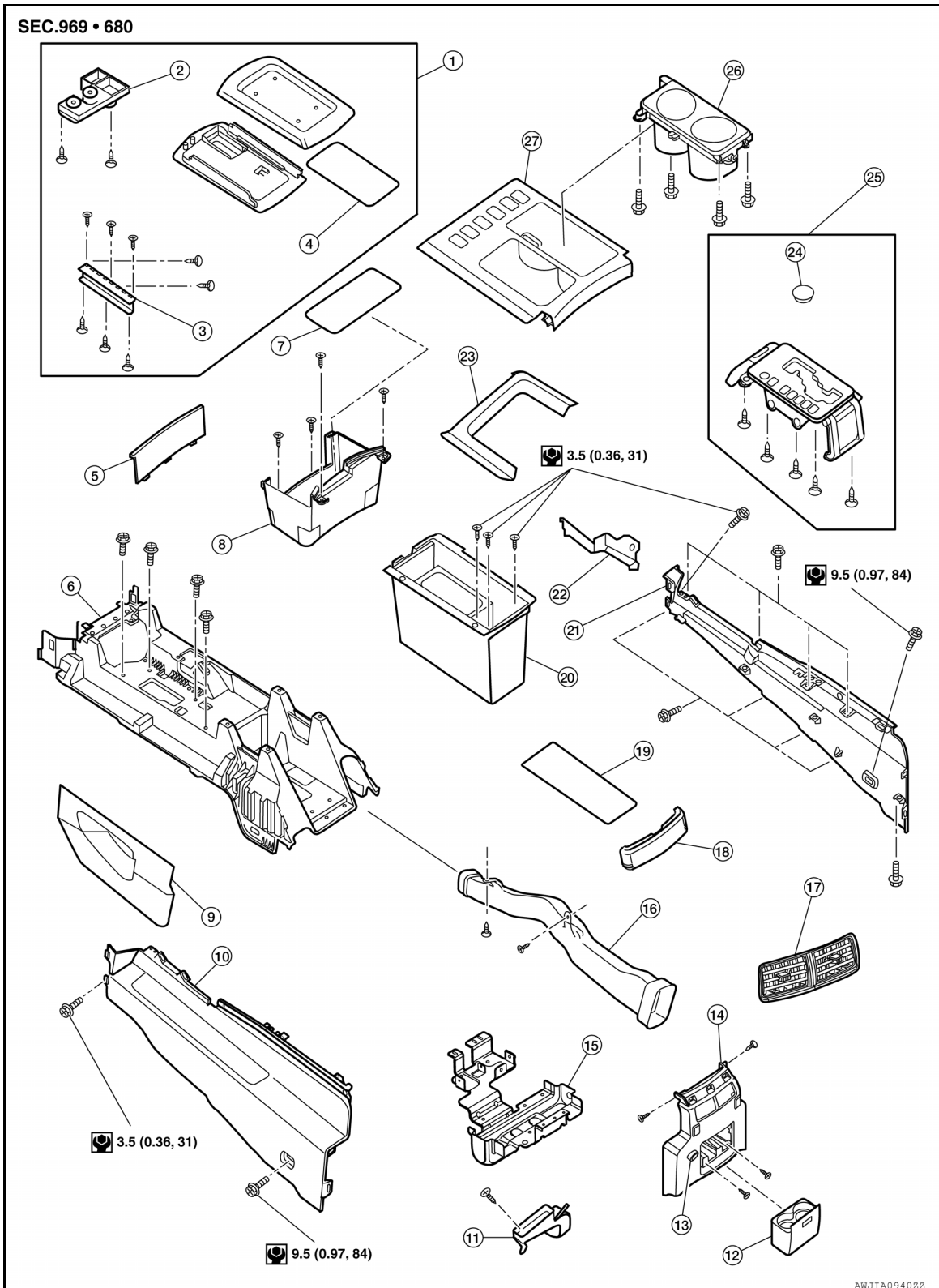
CENTER CONSOLE ASSEMBLY

< UNIT DISASSEMBLY AND ASSEMBLY >

CENTER CONSOLE ASSEMBLY

Exploded View

INFOID:000000011560492



- | | | |
|--------------------------------|-----------------------------|------------------------------------|
| 1. Console lid assembly | 2. Console lid latch | 3. Console lid hinge |
| 4. Console lid bin mat | 5. Storage compartment mask | 6. Console reinforcement assembly |
| 7. Storage compartment bin mat | 8. Storage compartment | 9. Center console lower cover (LH) |

CENTER CONSOLE ASSEMBLY

< UNIT DISASSEMBLY AND ASSEMBLY >

- | | | | |
|-------------------------------------|------------------------------|----------------------------------|---|
| 10. Console cover (LH) | 11. Rear console duct | 12. Rear cup holder assembly | |
| 13. Console power socket | 14. Rear finisher assembly | 15. Console rear bracket | A |
| 16. Heat duct | 17. Rear finisher ventilator | 18. Rear upper finisher | |
| 19. Console bin mat | 20. Console bin | 21. Console cover (RH) | B |
| 22. Center console lower cover (RH) | 23. Console upper finisher | 24. A/T shift lock release cover | |
| 25. Shift indicator assembly | 26. Cup holder insert | 27. A/T finisher | C |

Disassembly and Assembly

INFOID:000000011560493

DISASSEMBLY

1. Remove center console assembly. Refer to [IP-21, "Removal and Installation"](#). D
2. Remove latch from console lid.
3. Remove console lid and lid hinge.
4. Release console bin and position as necessary to disconnect the DVD player harness connector (if equipped), then remove console bin. E
5. Remove rear upper finisher.
6. Remove DVD player and brackets from console bin (if equipped). F
7. Remove rear cup holder assembly.
8. Release rear finisher assembly and position as necessary to disconnect harness connectors, then remove rear finisher assembly. G
9. Remove console power socket. Refer to [PWO-9, "Removal and Installation"](#).
10. Remove storage compartment. H
11. Remove heat duct and rear console duct.
12. Remove the console cover screws, then remove console covers (RH/LH).
13. Remove console rear bracket. I

ASSEMBLY

Assembly is in the reverse order of disassembly.

IP

K

L

M

N

O

P