

SECTION **HRN**  
HORN

A  
B  
C  
D  
E  
F  
G  
H  
I  
J  
K  
M  
N  
O  
P

CONTENTS

<b>PRECAUTION</b> .....	2	<b>HORN</b> .....	3
<b>PRECAUTIONS</b> .....	2	Wiring Diagram .....	3
Precaution for Supplemental Restraint System (SRS) "AIR BAG" and "SEAT BELT PRE-TEN- SIONER" .....	2	<b>REMOVAL AND INSTALLATION</b> .....	6
<b>WIRING DIAGRAM</b> .....	3	<b>HORN</b> .....	6
		Exploded View .....	6
		Removal and Installation .....	6

HRN

# PRECAUTIONS

< PRECAUTION >

## PRECAUTION

### PRECAUTIONS

#### Precaution for Supplemental Restraint System (SRS) "AIR BAG" and "SEAT BELT PRE-TENSIONER"

INFOID:000000009266942

The Supplemental Restraint System such as "AIR BAG" and "SEAT BELT PRE-TENSIONER", used along with a front seat belt, helps to reduce the risk or severity of injury to the driver and front passenger for certain types of collision. This system includes seat belt switch inputs and dual stage front air bag modules. The SRS system uses the seat belt switches to determine the front air bag deployment, and may only deploy one front air bag, depending on the severity of a collision and whether the front occupants are belted or unbelted. Information necessary to service the system safely is included in the SR and SB section of this Service Manual.

#### **WARNING:**

- To avoid rendering the SRS inoperative, which could increase the risk of personal injury or death in the event of a collision which would result in air bag inflation, all maintenance must be performed by an authorized NISSAN/INFINITI dealer.
- Improper maintenance, including incorrect removal and installation of the SRS, can lead to personal injury caused by unintentional activation of the system. For removal of Spiral Cable and Air Bag Module, see the SR section.
- Do not use electrical test equipment on any circuit related to the SRS unless instructed to in this Service Manual. SRS wiring harnesses can be identified by yellow and/or orange harnesses or harness connectors.

#### PRECAUTIONS WHEN USING POWER TOOLS (AIR OR ELECTRIC) AND HAMMERS

#### **WARNING:**

- When working near the Airbag Diagnosis Sensor Unit or other Airbag System sensors with the Ignition ON or engine running, DO NOT use air or electric power tools or strike near the sensor(s) with a hammer. Heavy vibration could activate the sensor(s) and deploy the air bag(s), possibly causing serious injury.
- When using air or electric power tools or hammers, always switch the Ignition OFF, disconnect the battery, and wait at least 3 minutes before performing any service.

# HORN

< WIRING DIAGRAM >

## WIRING DIAGRAM

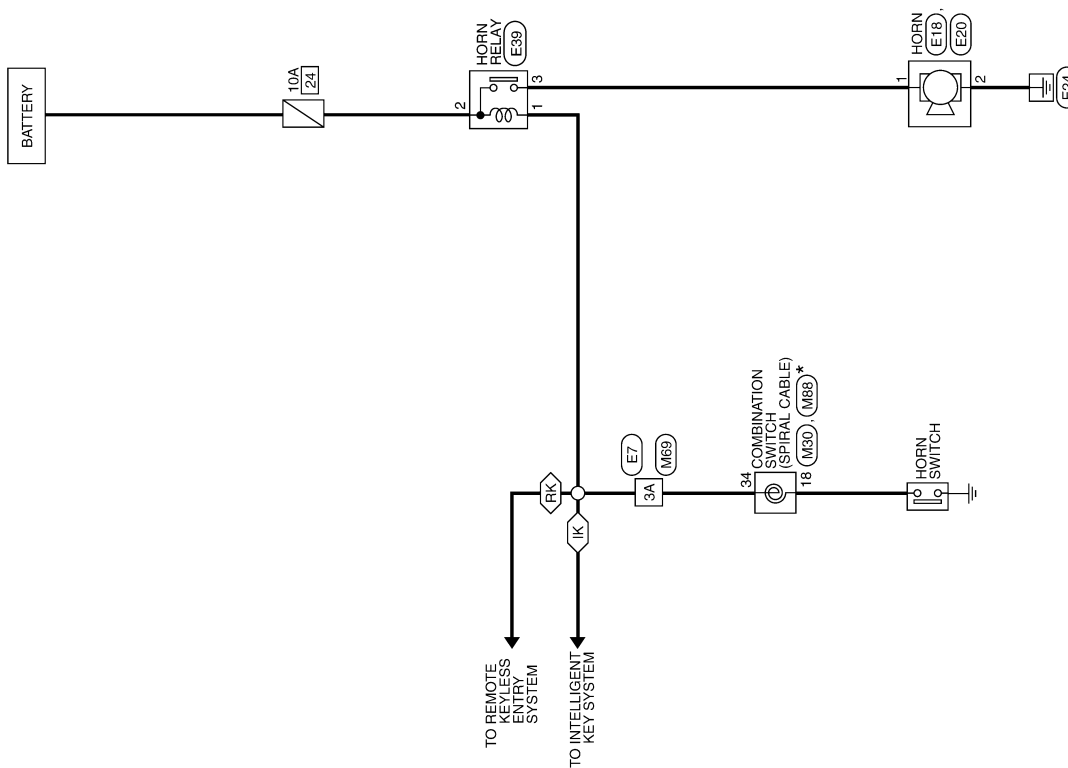
### HORN

#### Wiring Diagram

INFOID:000000009266943

IK : WITH INTELLIGENT KEY SYSTEM  
RK : WITH REMOTE KEYLESS ENTRY SYSTEM

HORN



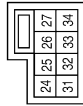
\*: THIS CONNECTOR IS NOT SHOWN IN "HARNES LAYOUT" OF PG SECTION.

ABLWA1886GB

A  
B  
C  
D  
E  
F  
G  
H  
I  
J  
K  
HRN  
M  
N  
O  
P

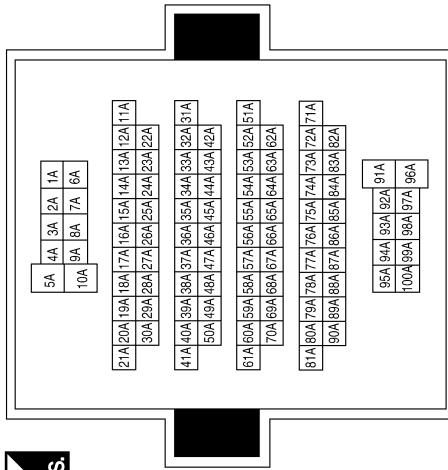
HORN CONNECTORS

Connector No.	M30
Connector Name	COMBINATION SWITCH (SPIRAL CABLE)
Connector Color	GRAY



Terminal No.	34	Color of Wire	R	Signal Name	-
--------------	----	---------------	---	-------------	---

Connector No.	M69
Connector Name	WIRE TO WIRE
Connector Color	WHITE



Terminal No.	3A	Color of Wire	R	Signal Name	-
--------------	----	---------------	---	-------------	---

Connector No.	M88
Connector Name	COMBINATION SWITCH (SPIRAL CABLE)
Connector Color	GRAY



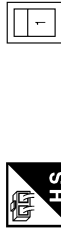
Terminal No.	18	Color of Wire	G	Signal Name	-
--------------	----	---------------	---	-------------	---

ABLIA4866GB

# HORN

< WIRING DIAGRAM >

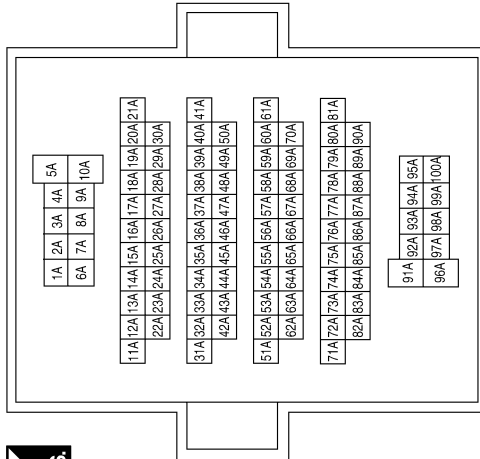
Connector No.	E18
Connector Name	HORN
Connector Color	BLACK



Terminal No.	Color of Wire	Signal Name
1	G	-

Terminal No.	3A	Color of Wire	SB	Signal Name	-
--------------	----	---------------	----	-------------	---

Connector No.	E7
Connector Name	WIRE TO WIRE
Connector Color	WHITE



Connector No.	E39
Connector Name	HORN RELAY
Connector Color	WHITE



Terminal No.	Color of Wire	Signal Name
1	SB	-
2	L	-
3	G	-

Connector No.	E20
Connector Name	HORN
Connector Color	BLACK



Terminal No.	2	Color of Wire	B	Signal Name	-
--------------	---	---------------	---	-------------	---

ABLI1A4044GB

A  
B  
C  
D  
E  
F  
G  
H  
I  
J  
K  
L  
M  
N  
O  
P

HRN

# HORN

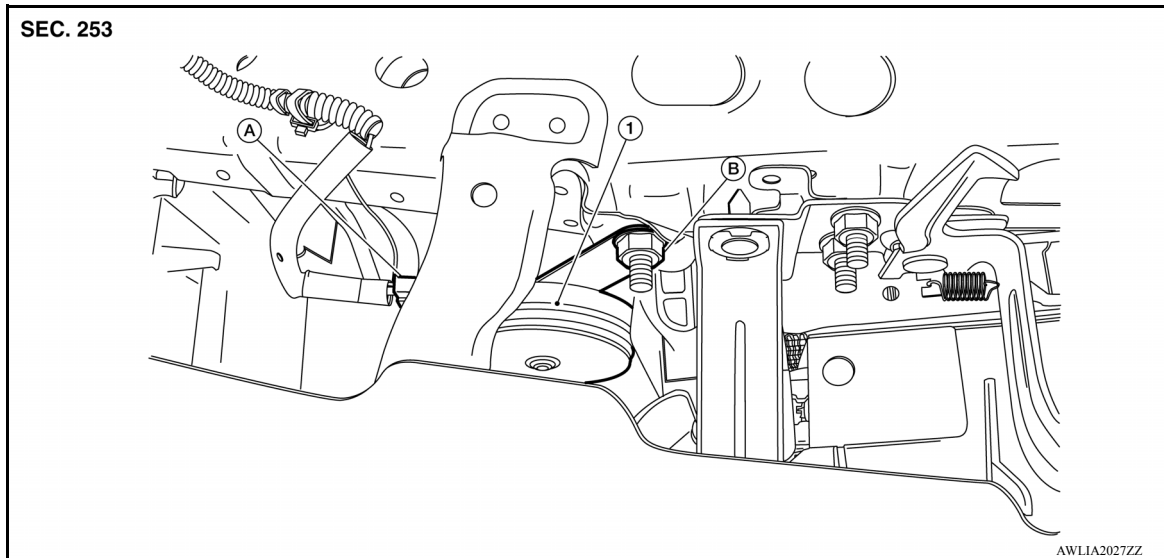
< REMOVAL AND INSTALLATION >

## REMOVAL AND INSTALLATION

### HORN

Exploded View

INFOID:000000009266944



1. Horn

A. Connector(s)

B. Nut

### Removal and Installation

INFOID:000000009266945

#### REMOVAL

1. Disconnect the harness connectors from the horn.
2. Remove the horn nut and the horn.

#### INSTALLATION

Installation is in the reverse order of removal.