

SECTION EI
EXTERIOR & INTERIOR

A
 B
 C
 D
 E
 F
 G
 H
 EI
 J
 K
 L
 M
 N
 O
 P

CONTENTS

<p>PRECAUTION 3</p> <p>PRECAUTIONS 3</p> <p style="padding-left: 20px;">Precaution for Supplemental Restraint System (SRS) "AIR BAG" and "SEAT BELT PRE-TENSIONER"3</p> <p style="padding-left: 20px;">Precaution Necessary for Steering Wheel Rotation After Battery Disconnect3</p> <p style="padding-left: 20px;">Precaution4</p> <p>PREPARATION 5</p> <p>PREPARATION 5</p> <p style="padding-left: 20px;">Special Service Tool5</p> <p style="padding-left: 20px;">Commercial Service Tool5</p> <p>SYMPTOM DIAGNOSIS 6</p> <p>SQUEAK AND RATTLE TROUBLE DIAGNOSIS 6</p> <p style="padding-left: 20px;">Work Flow6</p> <p style="padding-left: 20px;">Generic Squeak and Rattle Troubleshooting8</p> <p style="padding-left: 20px;">Diagnostic Worksheet 10</p> <p>CLIP AND FASTENER12</p> <p style="padding-left: 20px;">Description 12</p> <p>ON-VEHICLE REPAIR 15</p> <p>FRONT BUMPER15</p> <p style="padding-left: 20px;">Removal and Installation 15</p> <p>REAR BUMPER17</p> <p style="padding-left: 20px;">Component 17</p> <p style="padding-left: 20px;">Removal and Installation - Hatchback 18</p> <p style="padding-left: 20px;">Removal and Installation - Sedan 19</p> <p>FRONT GRILLE21</p> <p style="padding-left: 20px;">Removal and Installation21</p> <p>COWL TOP22</p> <p style="padding-left: 20px;">Removal and Installation22</p>	<p>FENDER PROTECTOR24</p> <p style="padding-left: 20px;">Component24</p> <p style="padding-left: 20px;">Removal and Installation24</p> <p>ROOF SIDE MOLDING25</p> <p style="padding-left: 20px;">Component25</p> <p style="padding-left: 20px;">Removal and Installation25</p> <p>DOOR OUTSIDE MOLDING27</p> <p style="padding-left: 20px;">Component27</p> <p style="padding-left: 20px;">Removal and Installation28</p> <p>CENTER MUD GUARD30</p> <p style="padding-left: 20px;">Removal and Installation30</p> <p>TRUNK LID FINISHER31</p> <p style="padding-left: 20px;">Removal and Installation31</p> <p>REAR AIR SPOILER32</p> <p style="padding-left: 20px;">Removal and Installation32</p> <p>DOOR FINISHER34</p> <p style="padding-left: 20px;">Removal and Installation34</p> <p>BACK DOOR TRIM38</p> <p style="padding-left: 20px;">Removal and Installation38</p> <p>BODY SIDE TRIM39</p> <p style="padding-left: 20px;">Component39</p> <p style="padding-left: 20px;">Removal and Installation40</p> <p>REAR PARCEL SHELF FINISHER44</p> <p style="padding-left: 20px;">Removal and Installation44</p> <p>FLOOR TRIM45</p> <p style="padding-left: 20px;">Removal and Installation45</p> <p>HEADLINING47</p> <p style="padding-left: 20px;">Component47</p> <p style="padding-left: 20px;">Removal and Installation - Hatchback49</p> <p style="padding-left: 20px;">Removal and Installation - Sedan51</p> <p>LUGGAGE FLOOR TRIM53</p>
---	---

Removal and Installation 53

**TRUNK ROOM TRIM & TRUNK LID FINISH-
ER 55**
Removal and Installation 55

PRECAUTIONS

< PRECAUTION >

PRECAUTION

PRECAUTIONS

Precaution for Supplemental Restraint System (SRS) "AIR BAG" and "SEAT BELT PRE-TENSIONER"

INFOID:000000004783758

The Supplemental Restraint System such as "AIR BAG" and "SEAT BELT PRE-TENSIONER", used along with a front seat belt, helps to reduce the risk or severity of injury to the driver and front passenger for certain types of collision. This system includes seat belt switch inputs and dual stage front air bag modules. The SRS system uses the seat belt switches to determine the front air bag deployment, and may only deploy one front air bag, depending on the severity of a collision and whether the front occupants are belted or unbelted. Information necessary to service the system safely is included in the SRS and SB section of this Service Manual.

WARNING:

- To avoid rendering the SRS inoperative, which could increase the risk of personal injury or death in the event of a collision which would result in air bag inflation, all maintenance must be performed by an authorized NISSAN/INFINITI dealer.
- Improper maintenance, including incorrect removal and installation of the SRS can lead to personal injury caused by unintentional activation of the system. For removal of Spiral Cable and Air Bag Module, see the SRS section.
- Do not use electrical test equipment on any circuit related to the SRS unless instructed to in this Service Manual. SRS wiring harnesses can be identified by yellow and/or orange harnesses or harness connectors.
- When working near the Airbag Diagnosis Sensor Unit or other Airbag System sensors with the Ignition ON or engine running, DO NOT use air or electric power tools or strike near the sensor(s) with a hammer. Heavy vibration could activate the sensor(s) and deploy the air bag(s), possibly causing serious injury.
- When using air or electric power tools or hammers, always switch the Ignition OFF, disconnect the battery, and wait at least 3 minutes before performing any service.

Precaution Necessary for Steering Wheel Rotation After Battery Disconnect

INFOID:000000004685432

NOTE:

- This Procedure is applied only to models with Intelligent Key system and NATS (NISSAN ANTI-THEFT SYSTEM).
- Remove and install all control units after disconnecting both battery cables with the ignition knob in the "LOCK" position.
- Always use CONSULT-III to perform self-diagnosis as a part of each function inspection after finishing work. If DTC is detected, perform trouble diagnosis according to self-diagnostic results.

For models equipped with the Intelligent Key system and NATS, an electrically controlled steering lock mechanism is adopted on the key cylinder.

For this reason, if the battery is disconnected or if the battery is discharged, the steering wheel will lock and steering wheel rotation will become impossible.

If steering wheel rotation is required when battery power is interrupted, follow the procedure below before starting the repair operation.

OPERATION PROCEDURE

1. Connect both battery cables.

NOTE:

Supply power using jumper cables if battery is discharged.

2. Use the Intelligent Key or mechanical key to turn the ignition switch to the "ACC" position. At this time, the steering lock will be released.
3. Disconnect both battery cables. The steering lock will remain released and the steering wheel can be rotated.
4. Perform the necessary repair operation.
5. When the repair work is completed, return the ignition switch to the "LOCK" position before connecting the battery cables. (At this time, the steering lock mechanism will engage.)
6. Perform a self-diagnosis check of all control units using CONSULT-III.

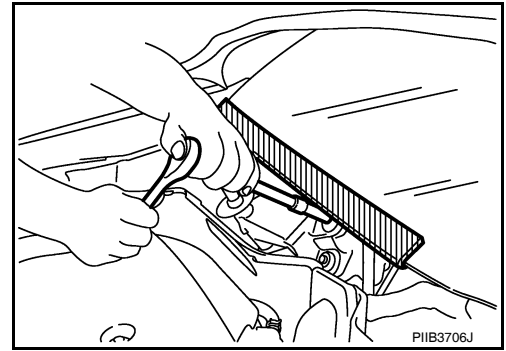
PRECAUTIONS

< PRECAUTION >

Precaution

INFOID:000000004307207

- When removing or disassembling any part, be careful not to damage or deform it. Protect parts which may get in the way with cloth.
- When removing parts with a screwdriver or other tool, protect parts by wrapping them with vinyl or tape.
- Keep removed parts protected with cloth.
- If a clip is deformed or damaged, replace it.
- If an un reusable part is removed, replace it with a new one.
- Tighten bolts and nuts firmly to the specified torque.
- After re-assembly has been completed, make sure each part functions correctly.
- Remove stains in the following way.
 - Water-soluble stains:
Dip a cloth in warm water, and squeeze tightly. After wiping the stain, wipe with a soft dry cloth.
 - Oil stain:
Dissolve a synthetic detergent in warm water (density of 2 to 3% or less), dip the cloth, then clean off the stain with the cloth. Next, dip the soft cloth in fresh water, and then squeeze it tightly. Then clean off the detergent completely. Then wipe the area with a soft dry cloth.
- Do not use any organic solvent, such as thinner or benzine.
- When performing procedures that require removal of the cowl top, cover the lower end of the windshield with a suitable protection material.



PREPARATION

< PREPARATION >

PREPARATION

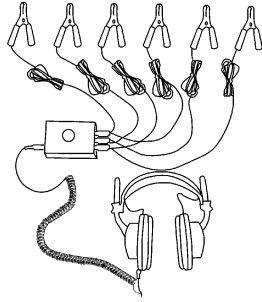
PREPARATION

Special Service Tool

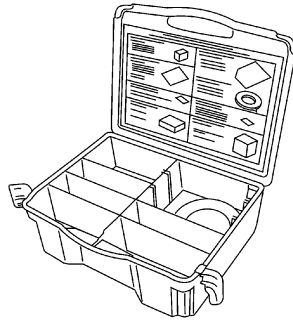
INFOID:000000004307208

The actual shapes of Kent-Moore tools may differ from those of special service tools illustrated here.

Tool number (Kent-Moore No.) Tool name	Description
— (J-39570) Chassis ear	Locating the noise
— (J-43980) NISSAN Squeak and Rattle kit	Repairing the cause of noise



SBT839

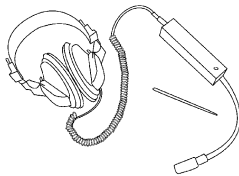


SBT840

Commercial Service Tool

INFOID:000000004307209

Tool number (Kent-Moore No.) Tool name	Description
— (J-39565) Engine ear	Locating the noise



SIIA0995E

SQUEAK AND RATTLE TROUBLE DIAGNOSIS

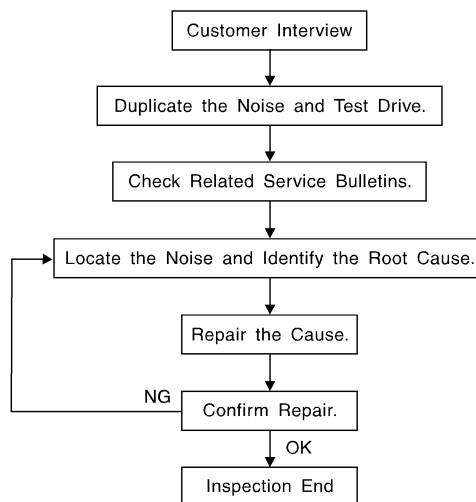
< SYMPTOM DIAGNOSIS >

SYMPTOM DIAGNOSIS

SQUEAK AND RATTLE TROUBLE DIAGNOSIS

Work Flow

INFOID:000000004307210



SBT842

CUSTOMER INTERVIEW

Interview the customer, if possible, to determine the conditions that exist when the noise occurs. Use the Diagnostic Worksheet during the interview to document the facts and conditions when the noise occurs and any customer's comments; refer to [EI-10. "Diagnostic Worksheet"](#). This information is necessary to duplicate the conditions that exist when the noise occurs.

- The customer may not be able to provide a detailed description or the location of the noise. Attempt to obtain all the facts and conditions that exist when the noise occurs (or does not occur).
- If there is more than one noise in the vehicle, be sure to diagnose and repair the noise that the customer is concerned about. This can be accomplished by test driving the vehicle with the customer.
- After identifying the type of noise, isolate the noise in terms of its characteristics. The noise characteristics are provided so the customer, service adviser and technician are all speaking the same language when defining the noise.
- Squeak — (Like tennis shoes on a clean floor)
Squeak characteristics include the light contact/fast movement/brought on by road conditions/hard surfaces = higher pitch noise/softer surfaces = lower pitch noises/edge to surface = chirping
- Creak — (Like walking on an old wooden floor)
Creak characteristics include firm contact/slow movement/twisting with a rotational movement/pitch dependent on materials/often brought on by activity.
- Rattle — (Like shaking a baby rattle)
Rattle characteristics include the fast repeated contact/vibration or similar movement/loose parts/missing clip or fastener/incorrect clearance.
- Knock — (Like a knock on a door)
Knock characteristics include hollow sounding/sometimes repeating/often brought on by driver action.
- Tick — (Like a clock second hand)
Tick characteristics include gentle contacting of light materials/loose components/can be caused by driver action or road conditions.
- Thump — (Heavy, muffled knock noise)
Thump characteristics include softer knock/dead sound often brought on by activity.
- Buzz — (Like a bumblebee)
Buzz characteristics include high frequency rattle/firm contact.
- Often the degree of acceptable noise level will vary depending upon the person. A noise that you may judge as acceptable may be very irritating to the customer.
- Weather conditions, especially humidity and temperature, may have a great effect on noise level.

DUPLICATE THE NOISE AND TEST DRIVE

SQUEAK AND RATTLE TROUBLE DIAGNOSIS

< SYMPTOM DIAGNOSIS >

If possible, drive the vehicle with the customer until the noise is duplicated. Note any additional information on the Diagnostic Worksheet regarding the conditions or location of the noise. This information can be used to duplicate the same conditions when you confirm the repair.

If the noise can be duplicated easily during the test drive, to help identify the source of the noise, try to duplicate the noise with the vehicle stopped by doing one or all of the following:

- Close a door.
- Tap or push/pull around the area where the noise appears to be coming from.
- Rev the engine.
- Use a floor jack to recreate vehicle "twist".
- At idle, apply engine load (electrical load, half-clutch on M/T model, drive position on A/T and CVT models).
- Raise the vehicle on a hoist and hit a tire with a rubber hammer.
- Drive the vehicle and attempt to duplicate the conditions the customer states exist when the noise occurs.
- If it is difficult to duplicate the noise, drive the vehicle slowly on an undulating or rough road to stress the vehicle body.

CHECK RELATED SERVICE BULLETINS

After verifying the customer concern or symptom, check ASIST for Technical Service Bulletins (TSBs) related to that concern or symptom.

If a TSB relates to the symptom, follow the procedure to repair the noise.

LOCATE THE NOISE AND IDENTIFY THE ROOT CAUSE

1. Narrow down the noise to a general area. To help pinpoint the source of the noise, use a listening tool (Chassis Ear: J-39570, Engine Ear: J-39565 and mechanics stethoscope).
2. Narrow down the noise to a more specific area and identify the cause of the noise by:
 - Removing the components in the area that you suspect the noise is coming from.
Do not use too much force when removing clips and fasteners, otherwise clips and fasteners can be broken or lost during the repair, resulting in the creation of new noise.
 - Tapping or pushing/pulling the component that you suspect is causing the noise.
Do not tap or push/pull the component with excessive force, otherwise the noise will be eliminated only temporarily.
 - Feeling for a vibration with your hand by touching the component(s) that you suspect is (are) causing the noise.
 - Placing a piece of paper between components that you suspect are causing the noise.
 - Looking for loose components and contact marks.

Refer to [EI-8, "Generic Squeak and Rattle Troubleshooting"](#).

REPAIR THE CAUSE

- If the cause is a loose component, tighten the component securely.
- If the cause is insufficient clearance between components:
 - Separate components by repositioning or loosening and retightening the component, if possible.
 - Insulate components with a suitable insulator such as urethane pads, foam blocks, felt cloth tape or urethane tape. A NISSAN Squeak and Rattle Kit (J-43980) is available through your authorized NISSAN Parts Department.

CAUTION:

Do not use excessive force as many components are constructed of plastic and may be damaged.

Always check with the Parts Department for the latest parts information.

The following materials are contained in the NISSAN Squeak and Rattle Kit (J-43980). Each item can be ordered separately as needed.

URETHANE PADS [1.5 mm (0.059 in) thick]

Insulates connectors, harness, etc.

76268-9E005: 100 x 135 mm (3.94 x 5.31 in)/76884-71L01: 60 x 85 mm (2.36 x 3.35 in)/76884-71L02: 15 x 25 mm (0.59 x 0.98 in)

INSULATOR (Foam blocks)

Insulates components from contact. Can be used to fill space behind a panel.

73982-9E000: 45 mm (1.77 in) thick, 50 x 50 mm (1.97 x 1.97 in)/73982-50Y00: 10 mm (0.39 in) thick, 50 x 50 mm (1.97 x 1.97 in)

INSULATOR (Light foam block)

80845-71L00: 30 mm (1.18 in) thick, 30 x 50 mm (1.18 x 1.97 in)

FELT CLOTH TAPE

Used to insulate where movement does not occur. Ideal for instrument panel applications.

68370-4B000: 15 x 25 mm (0.59 x 0.98 in) pad/68239-13E00: 5 mm (0.20 in) wide tape roll

SQUEAK AND RATTLE TROUBLE DIAGNOSIS

< SYMPTOM DIAGNOSIS >

The following materials, not found in the kit, can also be used to repair squeaks and rattles.

UHMW (TEFLON) TAPE

Insulates where slight movement is present. Ideal for instrument panel applications.

SILICONE GREASE

Used in place of UHMW tape that will be visible or not fit.

Note: Will only last a few months.

SILICONE SPRAY

Use when grease cannot be applied.

DUCT TAPE

Use to eliminate movement.

CONFIRM THE REPAIR

Confirm that the cause of a noise is repaired by test driving the vehicle. Operate the vehicle under the same conditions as when the noise originally occurred. Refer to the notes on the Diagnostic Worksheet.

Generic Squeak and Rattle Troubleshooting

INFOID:000000004307211

Refer to Table of Contents for specific component removal and installation information.

INSTRUMENT PANEL

Most incidents are caused by contact and movement between:

1. The cluster lid A and instrument panel
2. Acrylic lens and combination meter housing
3. Instrument panel to front pillar garnish
4. Instrument panel to windshield
5. Instrument panel pins
6. Wiring harnesses behind the combination meter
7. A/C defroster duct and duct joint

These incidents can usually be located by tapping or moving the components to duplicate the noise or by pressing on the components while driving to stop the noise. Most of these incidents can be repaired by applying felt cloth tape or silicone spray (in hard to reach areas). Urethane pads can be used to insulate wiring harness.

CAUTION:

Do not use silicone spray to isolate a squeak or rattle. If you saturate the area with silicone, you will not be able to recheck the repair.

CENTER CONSOLE

Components to pay attention to include:

1. Shifter assembly cover to finisher
2. A/C control unit and cluster lid C
3. Wiring harnesses behind audio and A/C control unit

The instrument panel repair and isolation procedures also apply to the center console.

DOORS

Pay attention to the:

1. Finisher and inner panel making a slapping noise
2. Inside handle escutcheon to door finisher
3. Wiring harnesses tapping
4. Door striker out of alignment causing a popping noise on starts and stops

Tapping or moving the components or pressing on them while driving to duplicate the conditions can isolate many of these incidents. You can usually insulate the areas with felt cloth tape or insulator foam blocks from the NISSAN Squeak and Rattle Kit (J-43980) to repair the noise.

TRUNK

Trunk noises are often caused by a loose jack or loose items put into the trunk by the owner.

In addition look for:

1. Trunk lid bumpers out of adjustment
2. Trunk lid striker out of adjustment

SQUEAK AND RATTLE TROUBLE DIAGNOSIS

< SYMPTOM DIAGNOSIS >

3. The trunk lid torsion bars knocking together

4. A loose license plate or bracket

Most of these incidents can be repaired by adjusting, securing or insulating the item(s) or component(s) causing the noise.

SUNROOF/HEADLINING

Noises in the sunroof/headlining area can often be traced to one of the following:

1. Sunroof lid, rail, linkage or seals making a rattle or light knocking noise

2. Sun visor shaft shaking in the holder

3. Front or rear windshield touching headliner and squeaking

Again, pressing on the components to stop the noise while duplicating the conditions can isolate most of these incidents. Repairs usually consist of insulating with felt cloth tape.

OVERHEAD CONSOLE (FRONT AND REAR)

Overhead console noises are often caused by the console panel clips not being engaged correctly. Most of these incidents are repaired by pushing up on the console at the clip locations until the clips engage.

In addition look for:

1. Loose harness or harness connectors.

2. Front console map/reading lamp lens loose.

3. Loose screws at console attachment points.

SEATS

When isolating seat noise it's important to note the position the seat is in and the load placed on the seat when the noise is present. These conditions should be duplicated when verifying and isolating the cause of the noise.

Cause of seat noise include:

1. Headrest rods and holder

2. A squeak between the seat pad cushion and frame

3. The rear seatback lock and bracket

These noises can be isolated by moving or pressing on the suspected components while duplicating the conditions under which the noise occurs. Most of these incidents can be repaired by repositioning the component or applying urethane tape to the contact area.

UNDERHOOD

Some interior noise may be caused by components under the hood or on the engine wall. The noise is then transmitted into the passenger compartment.

Causes of transmitted underhood noise include:

1. Any component installed on the engine wall

2. Components that pass through the engine wall

3. Engine wall mounts and connectors

4. Loose radiator pins

5. Hood bumpers out of adjustment

6. Hood striker out of adjustment

These noises can be difficult to isolate since they cannot be reached from the interior of the vehicle. The best method is to secure, move or insulate one component at a time and test drive the vehicle. Also, engine RPM or load can be changed to isolate the noise. Repairs can usually be made by moving, adjusting, securing, or insulating the component causing the noise.

A

B

C

D

E

F

G

H

EI

J

K

L

M

N

O

P

SQUEAK AND RATTLE TROUBLE DIAGNOSIS

< SYMPTOM DIAGNOSIS >

Diagnostic Worksheet

INFOID:000000004307212

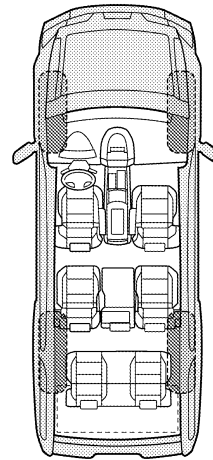
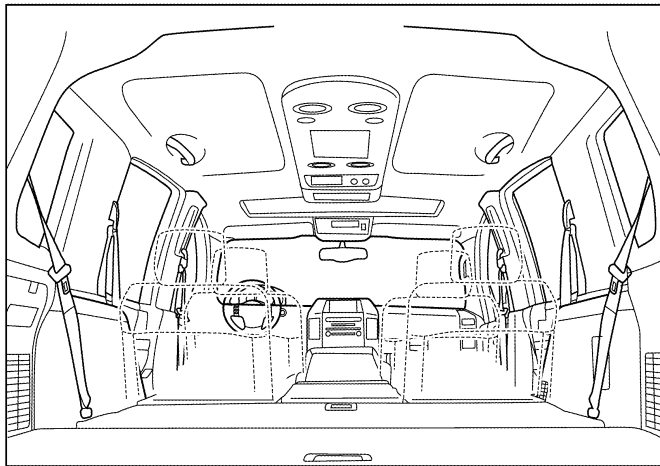
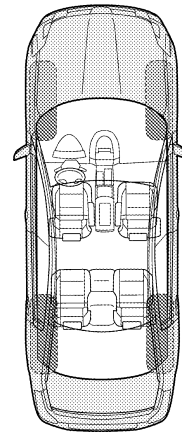
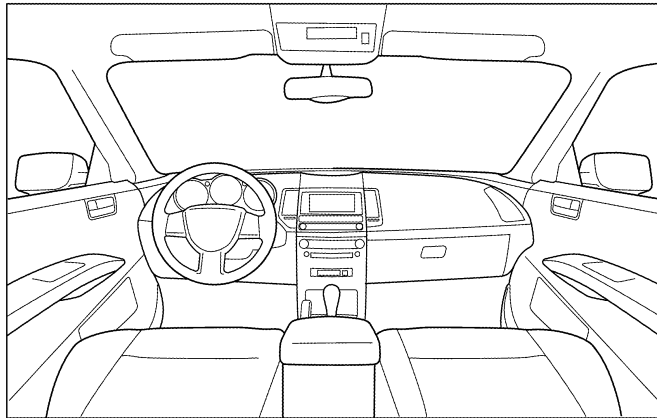
Dear Customer:

We are concerned about your satisfaction with your vehicle. Repairing a squeak or rattle sometimes can be very difficult. To help us fix your vehicle right the first time, please take a moment to note the area of the vehicle where the squeak or rattle occurs and under what conditions. You may be asked to take a test drive with a service advisor or technician to ensure we confirm the noise you are hearing.

SQUEAK & RATTLE DIAGNOSTIC WORKSHEET

I. WHERE DOES THE NOISE COME FROM? (circle the area of the vehicle)

The illustrations are for reference only, and may not reflect the actual configuration of your vehicle.



Continue to page 2 of the worksheet and briefly describe the location of the noise or rattle. In addition, please indicate the conditions which are present when the noise occurs.

SQUEAK AND RATTLE TROUBLE DIAGNOSIS

< SYMPTOM DIAGNOSIS >

SQUEAK & RATTLE DIAGNOSTIC WORKSHEET - page 2

Briefly describe the location where the noise occurs:

II. WHEN DOES IT OCCUR? (please check the boxes that apply)

- | | |
|---|--|
| <input type="checkbox"/> Anytime | <input type="checkbox"/> After sitting out in the rain |
| <input type="checkbox"/> 1st time in the morning | <input type="checkbox"/> When it is raining or wet |
| <input type="checkbox"/> Only when it is cold outside | <input type="checkbox"/> Dry or dusty conditions |
| <input type="checkbox"/> Only when it is hot outside | <input type="checkbox"/> Other: |

III. WHEN DRIVING:

- Through driveways
- Over rough roads
- Over speed bumps
- Only about ____ mph
- On acceleration
- Coming to a stop
- On turns: left, right or either (circle)
- With passengers or cargo
- Other: _____
- After driving ____ miles or ____ minutes

IV. WHAT TYPE OF NOISE

- Squeak (like tennis shoes on a clean floor)
- Creak (like walking on an old wooden floor)
- Rattle (like shaking a baby rattle)
- Knock (like a knock at the door)
- Tick (like a clock second hand)
- Thump (heavy muffled knock noise)
- Buzz (like a bumble bee)

TO BE COMPLETED BY DEALERSHIP PERSONNEL

Test Drive Notes:

	YES	NO	Initials of person performing
Vehicle test driven with customer	<input type="checkbox"/>	<input type="checkbox"/>	_____
- Noise verified on test drive	<input type="checkbox"/>	<input type="checkbox"/>	_____
- Noise source located and repaired	<input type="checkbox"/>	<input type="checkbox"/>	_____
- Follow up test drive performed to confirm repair	<input type="checkbox"/>	<input type="checkbox"/>	_____

VIN: _____ Customer Name _____

W.O.# _____ Date: _____

This form must be attached to Work Order

LAI A0071E

CLIP AND FASTENER


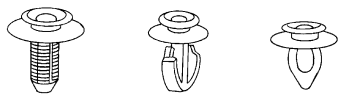


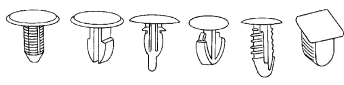
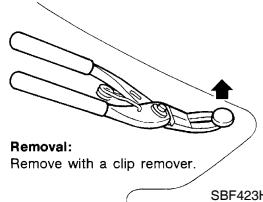

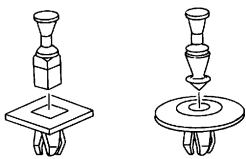
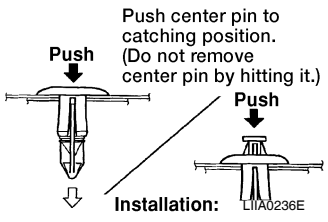
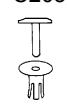
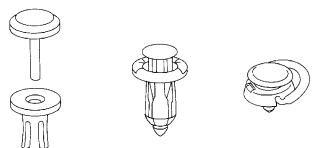
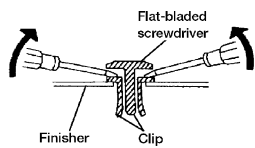

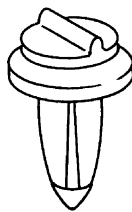
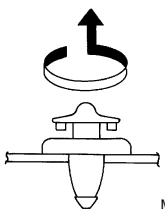

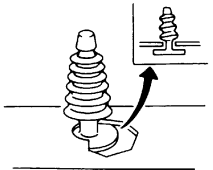
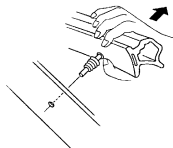
< SYMPTOM DIAGNOSIS >

CLIP AND FASTENER

Description

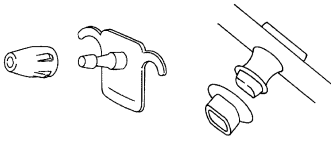
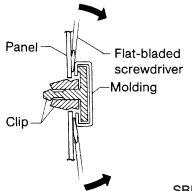
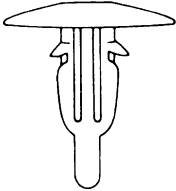
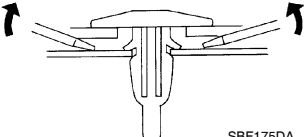
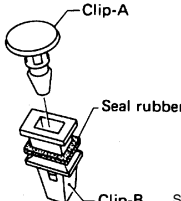
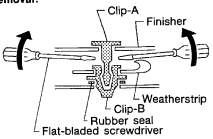
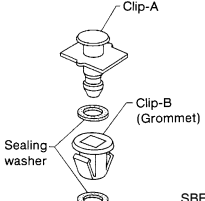
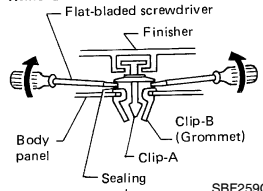
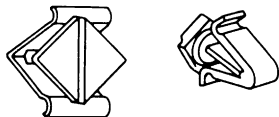
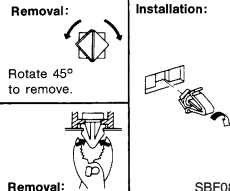
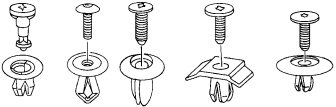
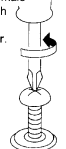
INFOID:000000004307213

- Clips and fasteners in EI section correspond to the following numbers and symbols.
- Replace any clips and/or fasteners which are damaged during removal or installation.

Symbol No.	Shapes	Removal & Installation
C101 	 SBF302H	Removal: Remove by bending up with flat-bladed screwdrivers or clip remover.  SBF367BA
C103 	 SBT095	Removal: Remove with a clip remover.  SBF423H
C203 	 SBF258G	Installation: Push center pin to catching position. (Do not remove center pin by hitting it.)  LIA0236E
C205 	 MBT080A	Removal:  SBF638CA
C206 	 MBF519B	 MBF520B
CE103 	 SBF104B	Removal:  SBF147B

CLIP AND FASTENER

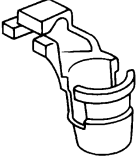
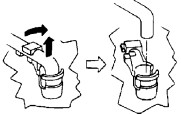

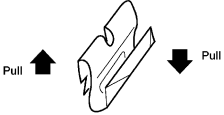
< SYMPTOM DIAGNOSIS >

Symbol No.	Shapes	Removal & Installation
CE107	 <p style="text-align: center;">SBF411H</p>	 <p style="text-align: right;">SBF767B</p>
CE117	 <p style="text-align: center;">SBF174D</p>	<p>Removal: Remove by bending up with a flat-bladed screwdriver or pliers.</p>  <p style="text-align: right;">SBF175DA</p>
CF110	 <p style="text-align: center;">SBF648B</p>	<p>Removal:</p>  <p style="text-align: right;">SBF649B</p>
CF118	 <p style="text-align: center;">SBF151D</p>	<p>Removal:</p>  <p style="text-align: right;">SBF259G</p>
CG101	 <p style="text-align: center;">SBF145B</p>	<p>Removal: Rotate 45° to remove.</p> <p>Installation:</p>  <p style="text-align: right;">SBF085B</p>
CS101	 <p style="text-align: center;">SBF078B</p>	<p>Removal:</p> <ol style="list-style-type: none"> Screw out with a Phillips screwdriver. Remove female portion with flat-bladed screwdriver.  <p style="text-align: right;">SBF992G</p>

A
B
C
D
E
F
G
H
EI
J
K
L
M
N
O
P

CLIP AND FASTENER

< SYMPTOM DIAGNOSIS >

Symbol No.	Shapes	Removal & Installation
CR103	 <p data-bbox="743 443 802 457">SBF768B</p>	<p data-bbox="1162 260 1370 310">Removal: Holder portion of clip must be spread out to remove rod.</p>  <p data-bbox="1351 443 1409 457">SBF770B</p>
Metal Clip	 <p data-bbox="743 695 802 709">WBT072</p>	<p data-bbox="1143 520 1208 535">Removal:</p>  <p data-bbox="1351 695 1409 709">WBT073</p>

FRONT BUMPER

< ON-VEHICLE REPAIR >

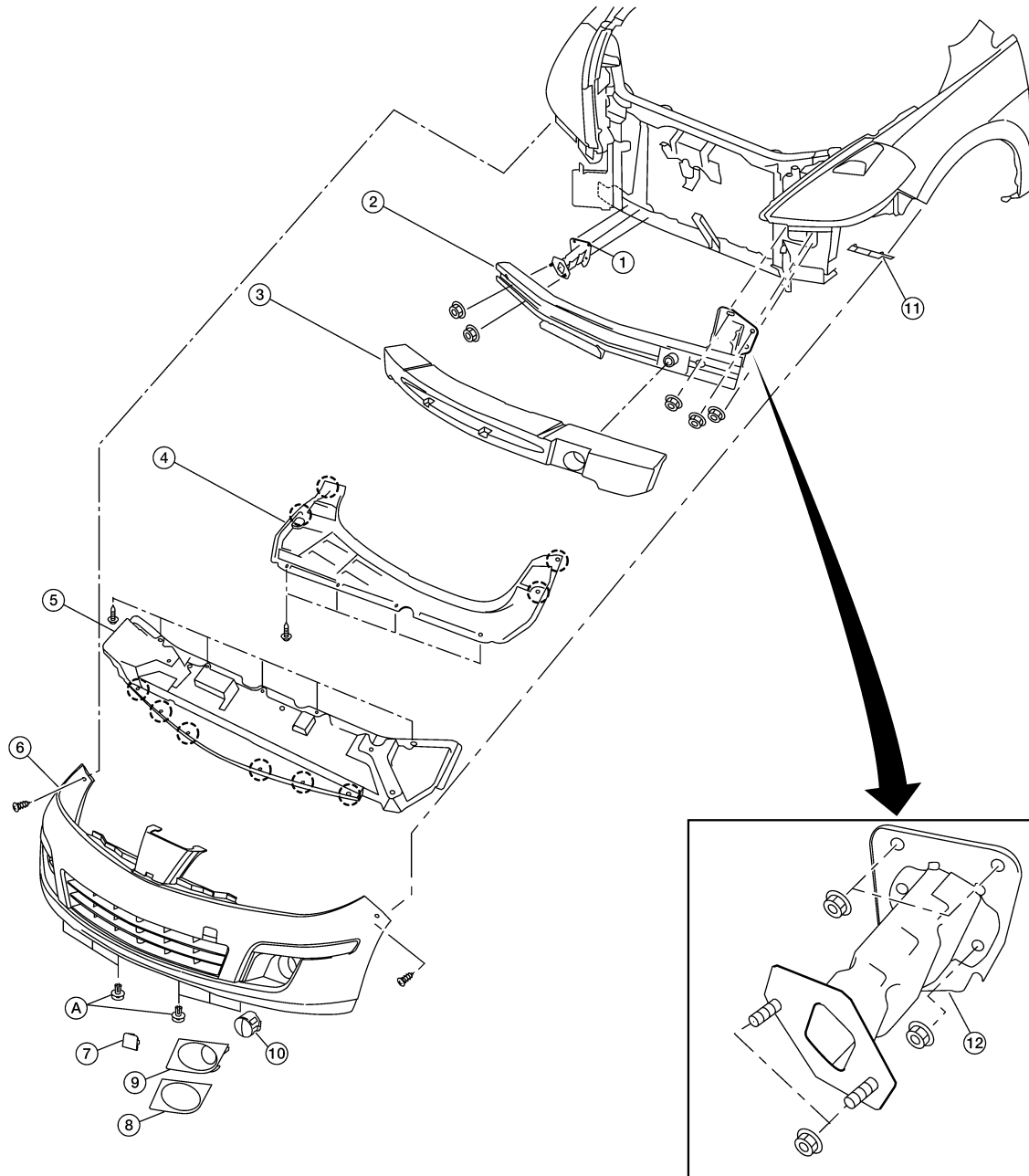
ON-VEHICLE REPAIR

FRONT BUMPER

Removal and Installation

INFOID:000000004307214

SEC.620



A
B
C
D
E
F
G
H
EI
J
K
L
M
N
O
P

- | | | |
|----------------------|--|---|
| 1. Bumper stay RH | 2. Bumper reinforcement (production) | 3. Bumper energy absorber |
| 4. Engine undercover | 5. Front valance | 6. Front bumper fascia |
| 7. Access cover | 8. Fog lamp opening finisher (without fog lamps) | 9. Fog lamp opening finisher (with fog lamps) |

WIIA1405E

FRONT BUMPER

< ON-VEHICLE REPAIR >

10. Fog lamp assembly
- A. Clip C205

11. Bumper side retainer

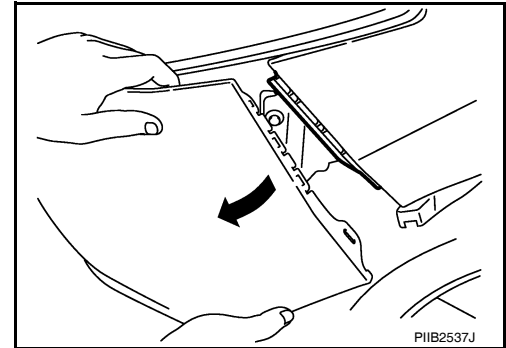
12. Bumper stay LH (service)

CAUTION:

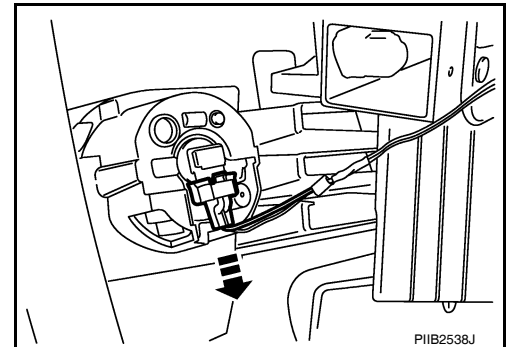
Bumper fascia is made of resin. Do not apply strong force to it, and be careful to prevent contact with oil.

REMOVAL

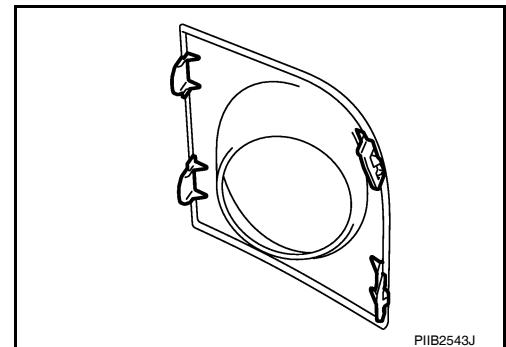
1. Open hood.
2. Disconnect the negative battery terminal.
3. Remove front grille. Refer to [EI-21](#).
4. Remove front fender protectors RH/LH. Refer to [EI-24](#).
5. Remove front valance and engine undercover.
6. Remove screws of front bumper fascia RH/LH.
7. Pull the outboard edge of front bumper fascia away from vehicle to disengage from the bumper side retainer.



8. Disconnect fog lamp harness connector RH/LH (if equipped).
9. Remove the front bumper fascia.



10. Remove fog lamp opening finisher and fog lamp assembly RH/LH (if equipped). Refer to [LT-47, "Removal and Installation"](#).
11. Remove bumper energy absorber.



12. Remove RH/LH air guide mounting clips of bumper reinforcement.
13. Remove the nuts, then remove bumper reinforcement and bumper stay(s):
 - For production, bumper stay LH is part of bumper reinforcement.
 - For service, bumper stay RH/LH are separate assemblies.
14. Remove bumper side bracket RH/LH after front bumper fascia removal.

INSTALLATION

Installation is in the reverse order of removal.

REAR BUMPER

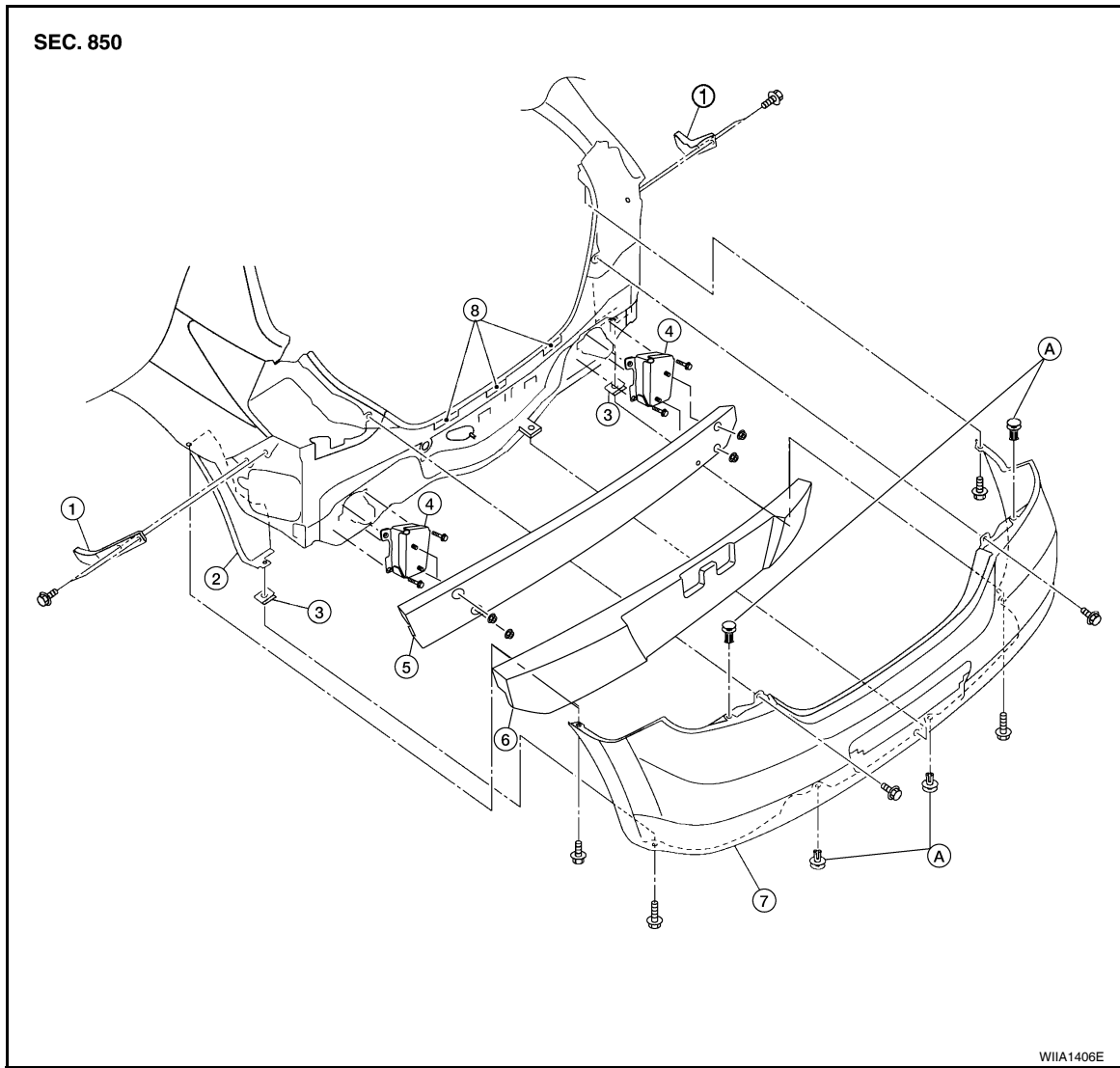
< ON-VEHICLE REPAIR >

REAR BUMPER

Component

INFOID:000000004307215

Hatchback Models



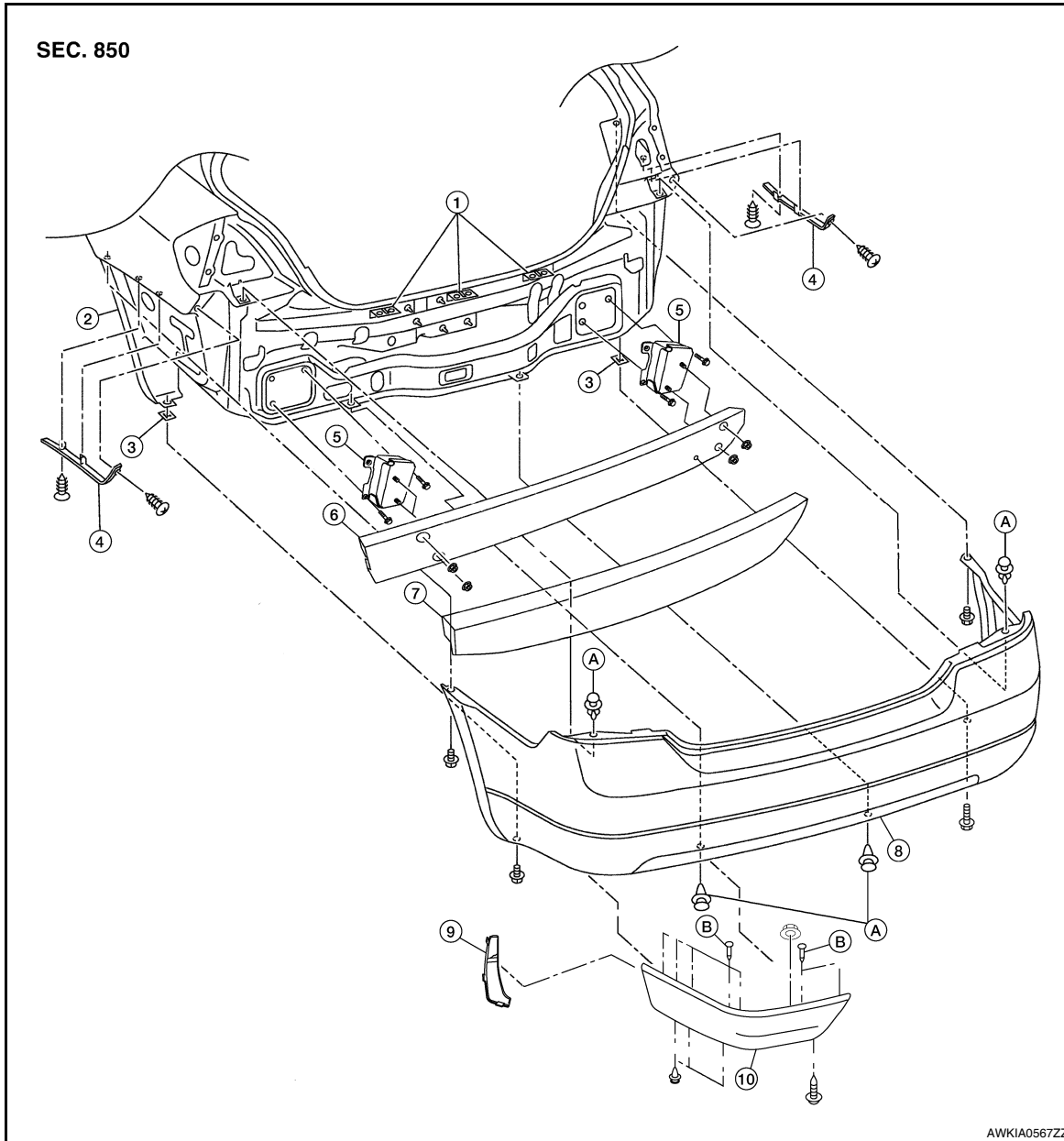
- | | | |
|---------------------------------|-------------------------------|--------------------------|
| 1. Bumper side bracket | 2. Rear fender protector | 3. Spring nut |
| 4. Bumper reinforcement bracket | 5. Rear bumper reinforcement | 6. Energy absorbing foam |
| 7. Rear bumper fascia | 8. Rear bumper upper retainer | A. Clip C205 |

A
B
C
D
E
F
G
H
EI
J
K
L
M
N
O
P

REAR BUMPER

< ON-VEHICLE REPAIR >

Sedan Models



- | | | |
|---|---------------------------------|-------------------------------|
| 1. Rear bumper upper retainer | 2. Rear fender protector | 3. Spring nut |
| 4. Bumper side bracket | 5. Bumper reinforcement bracket | 6. Rear bumper reinforcement |
| 7. Energy absorbing foam | 8. Rear bumper fascia | 9. Finisher end (if equipped) |
| 10. Rear bumper corner finisher (if equipped) | A. Clip C205 | B. Metal clip |

Removal and Installation - Hatchback

INFOID:000000004307216

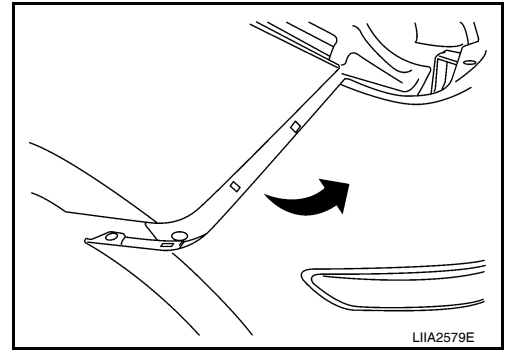
REMOVAL

1. Disconnect the negative battery terminal.
2. Open back door.
3. Disconnect the negative battery terminal.
4. Remove rear combination lamp RH/LH. Refer to [LT-87, "Removal and Installation"](#).
5. Remove rear bumper fascia spring nuts and screws RH/LH.
6. Remove rear fender protector. Refer to [EI-24, "Removal and Installation"](#).

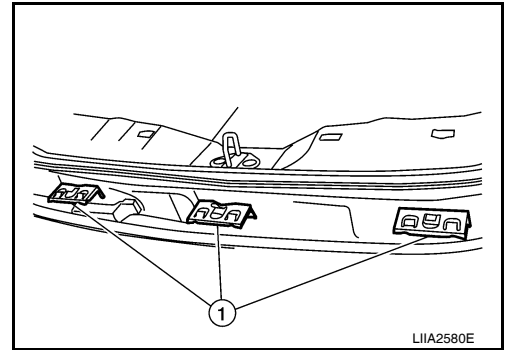
REAR BUMPER

< ON-VEHICLE REPAIR >

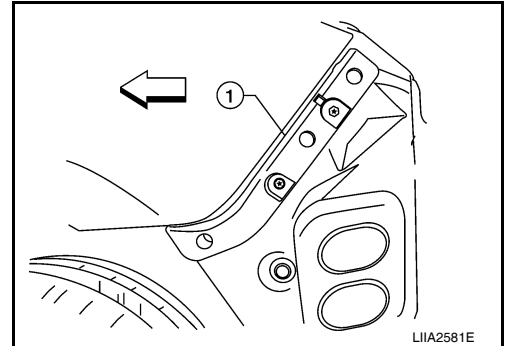
7. Pull the rear bumper fascia side outward and release the bumper side bracket.



8. Remove rear bumper fascia upper clips and screws.
9. Release rear bumper upper retainer (1), then pull rear bumper fascia outward away from rear of vehicle.



10. Disconnect license lamp connector.
11. Remove energy absorbing foam and rear bumper reinforcement.
12. Remove the bumper side bracket (1) RH/LH.
 - ■: Vehicle front



INSTALLATION

Installation is in the reverse order of removal.

Removal and Installation - Sedan

INFOID:000000004307217

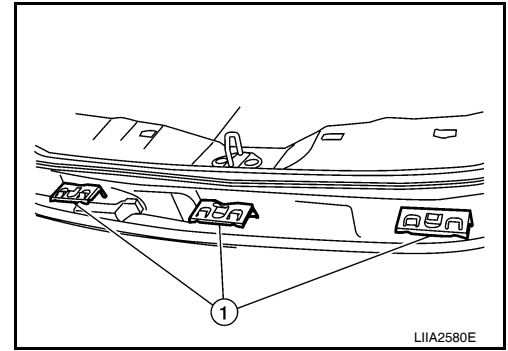
REMOVAL

1. Open trunk lid.
2. Remove rear combination lamp RH/LH. Refer to [LT-87, "Removal and Installation"](#).
3. Remove rear bumper fascia spring nuts and screws RH/LH.
4. Remove rear fender protector. Refer to [EI-24, "Removal and Installation"](#).
5. Pull the rear bumper fascia side outward and release the bumper side bracket.
6. Remove rear bumper fascia upper clips and screws.

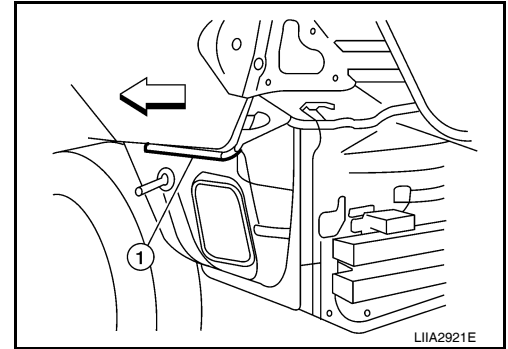
REAR BUMPER

< ON-VEHICLE REPAIR >

7. Release rear bumper upper retainer (1), then pull rear bumper fascia outward away from rear of vehicle.
8. Release the clips and remove the rear bumper corner finisher and finisher end (if equipped).



9. Remove energy absorbing foam and rear bumper reinforcement.
10. Remove the bumper side bracket (1) RH/LH.
 - ■: Vehicle front



INSTALLATION

Installation is in the reverse order of removal.

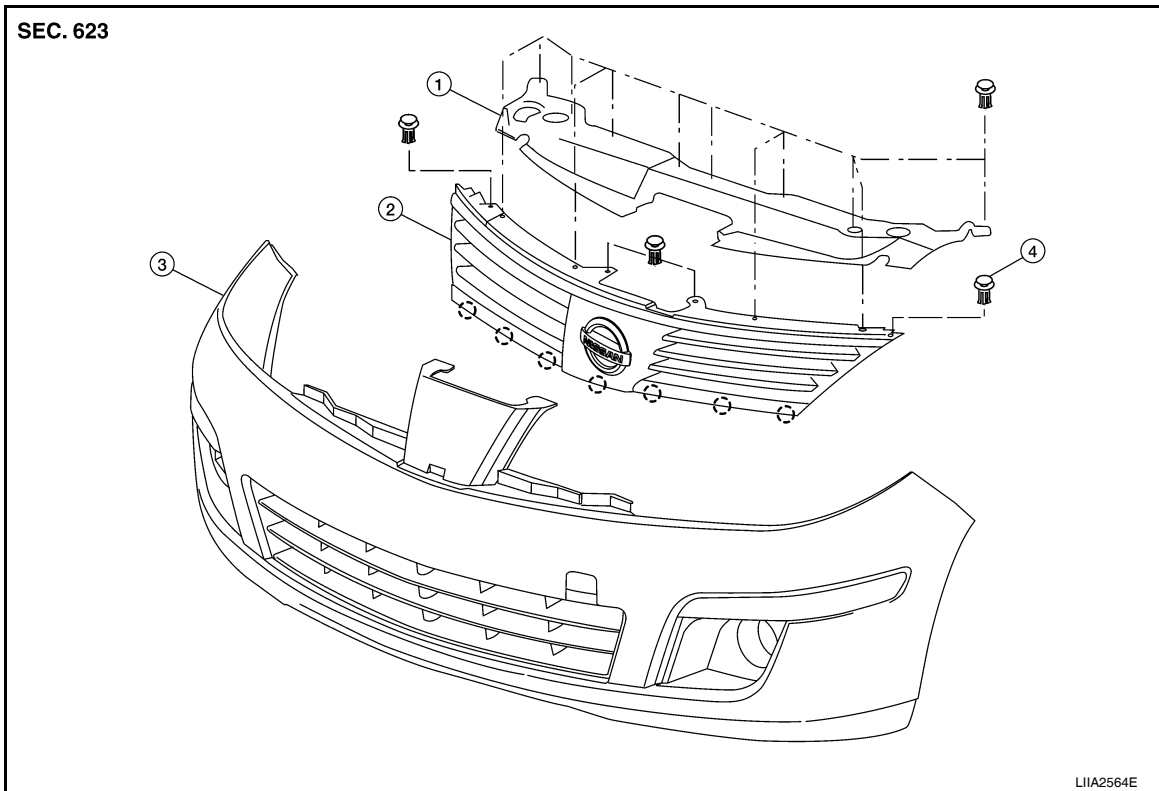
FRONT GRILLE

< ON-VEHICLE REPAIR >

FRONT GRILLE

Removal and Installation

INFOID:000000004307218



- | | | |
|-------------------------|-----------------|------------------------|
| 1. Upper radiator cover | 2. Front grille | 3. Front bumper fascia |
| 4. Clip C205 | ■ Pawl | |

REMOVAL

1. Open hood assembly.
2. Remove the clips, then remove upper radiator cover.
3. Remove the upper clips and release the lower pawls, then pull outward to remove the front grille.

INSTALLATION

Installation is in the reverse order of removal.

A
B
C
D
E
F
G
H
EI
J
K
L
M
N
O
P

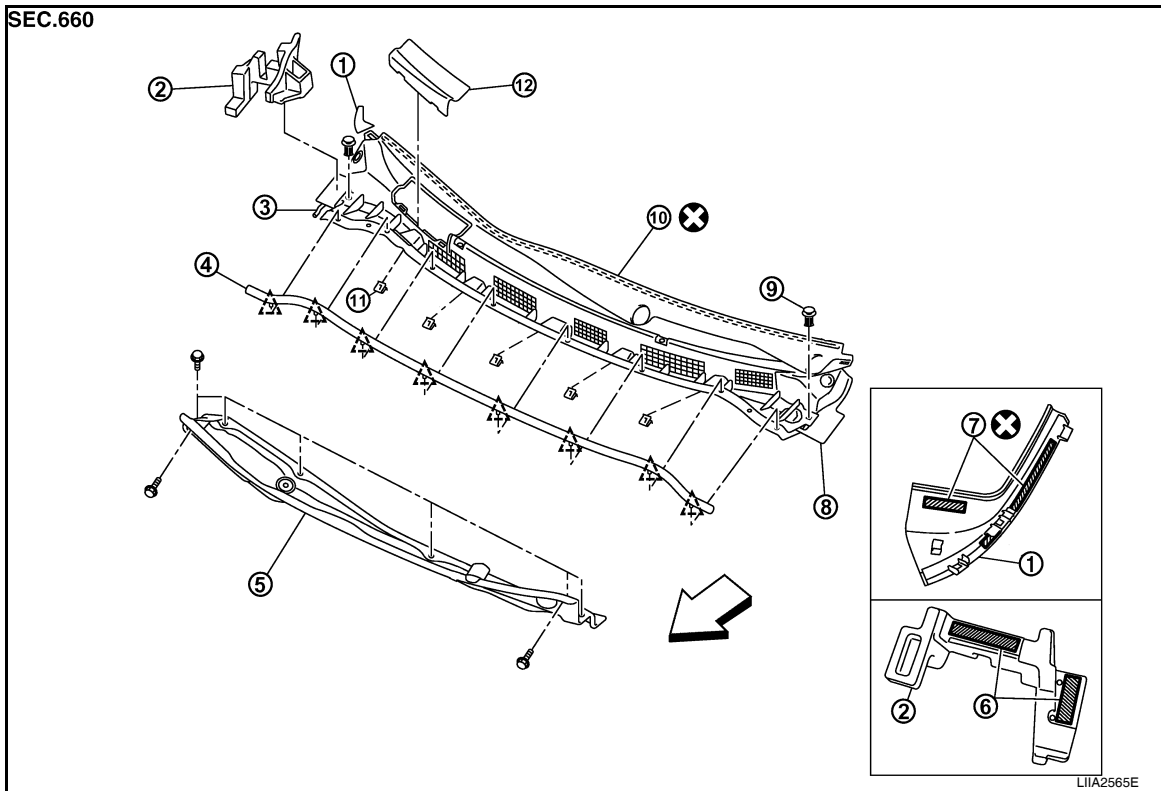
COWL TOP

< ON-VEHICLE REPAIR >

COWL TOP

Removal and Installation

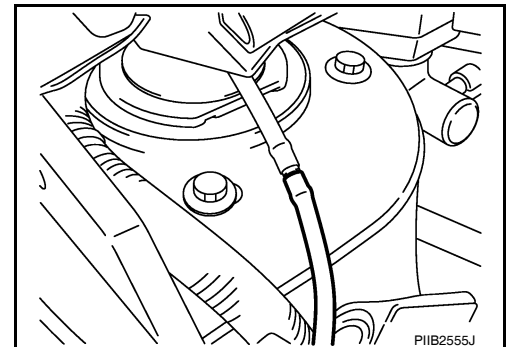
INFOID:000000004307219



- | | | |
|-------------------------------|-------------------------|-----------------------|
| 1. Fender cover | 2. Fender seal | 3. Washer tube |
| 4. Cowl top seal | 5. Cowl extension panel | 6. Dual lock fastener |
| 7. Double-faced adhesive tape | 8. Cowl top cover | 9. Clip C205 |
| 10. EPT sealer | 11. Cowl extension clip | 12. Cover |
| ■ Clip CE103 | ← Vehicle front | |

REMOVAL

1. Remove front wiper arm RH/LH from vehicle. Refer to [WW-18. "Removal and Installation of Front Wiper Arms"](#).
2. Disconnect washer tube.

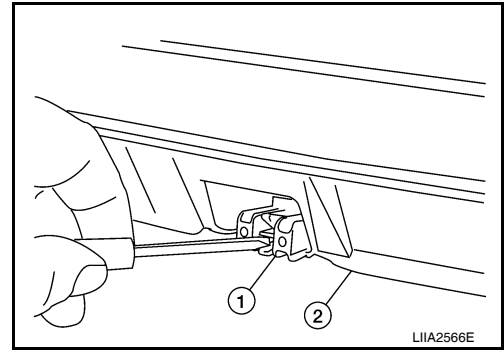


3. Remove fender seal and fender cover RH/LH.
4. Release the cowl top seal clips, then remove cowl top seal.

COWL TOP

< ON-VEHICLE REPAIR >

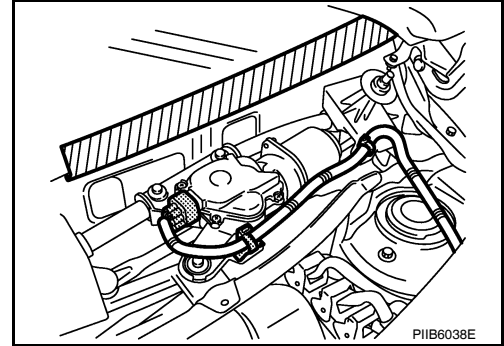
5. Release the cowl extension clip (1) by prying the center pawls apart and pulling clip outward. Remove remaining clips, then remove cowl top cover (2).



6. Disconnect and remove the front wiper motor and linkage assembly. Refer to [WW-20, "Removal and Installation of Front Wiper Drive Assembly"](#).

CAUTION:

To avoid damage, make sure to cover the lower edge of windshield with suitable protection material.



7. Remove cowl extension panel bolts, then remove cowl extension panel.

INSTALLATION

Installation is in the reverse order of removal.

NOTE:

- For wiper arm RH/LH installation and adjustment, Refer to [WW-18, "Removal and Installation of Front Wiper Arms"](#).
- Always replace EPT sealer and double-faced adhesive tape when installing cowl top cover.

A
B
C
D
E
F
G
H
EI
J
K
L
M
N
O
P

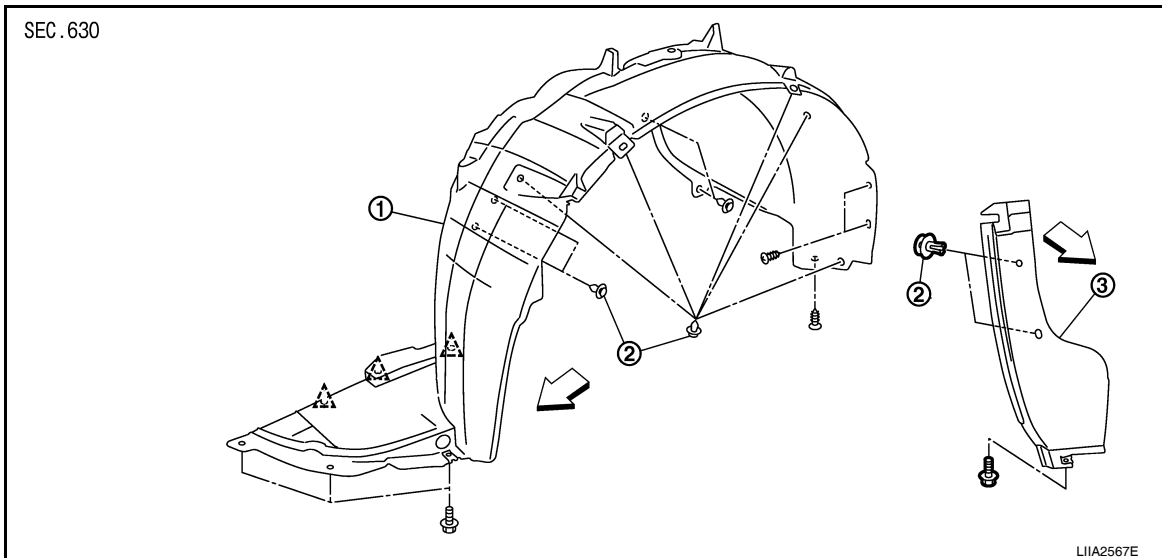
FENDER PROTECTOR

< ON-VEHICLE REPAIR >

FENDER PROTECTOR

Component

INFOID:000000004307220



1. Front fender protector

2. Clip C205

3. Rear fender protector

■ Clip C103

← Vehicle front

Removal and Installation

INFOID:000000004307221

FRONT FENDER PROTECTOR

Removal

1. Remove front fender protector bolts and clips.
2. Remove front fender protector.

Installation

Installation is in the reverse order of removal.

REAR FENDER PROTECTOR

Removal

1. Remove rear fender protector bolt and clip.
2. Remove rear fender protector.

Installation

Installation is in the reverse order of removal.

ROOF SIDE MOLDING

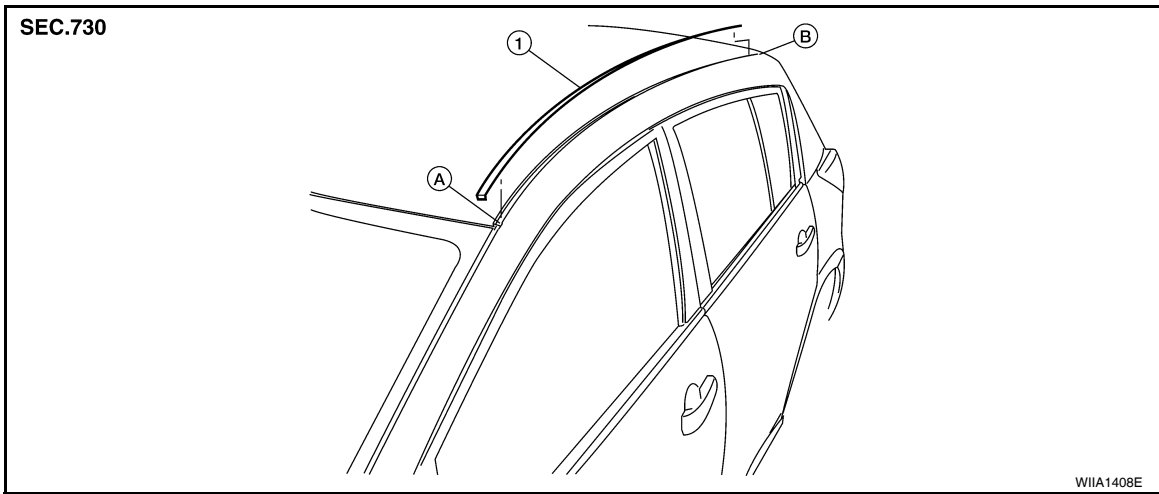
< ON-VEHICLE REPAIR >

ROOF SIDE MOLDING

Component

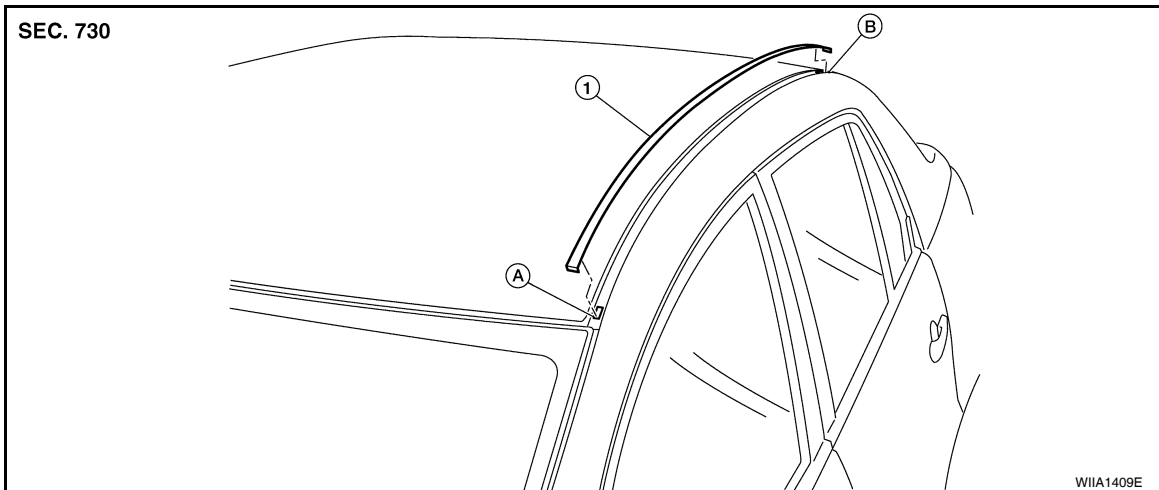
INFOID:000000004307222

Hatchback Models



1. Roof side molding A. Front roof side molding clip B. Rear roof side molding clip

Sedan Models



1. Roof side molding A. Front roof side molding clip B. Rear roof side molding clip

Removal and Installation

INFOID:000000004307223

REMOVAL

1. Using a suitable tool, release the rear roof side molding clip and remove.
2. Lift up rear edge of roof side molding working forward.
3. Release front roof side molding clip, then remove roof side molding.

INSTALLATION

Installation is in the reverse order of removal.

NOTE:

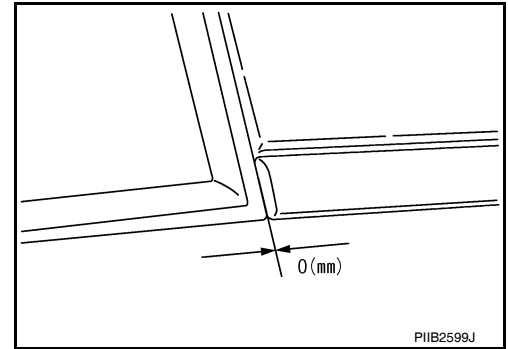
A
B
C
D
E
F
G
H
EI
J
K
L
M
N
O
P

ROOF SIDE MOLDING

< ON-VEHICLE REPAIR >

Make sure front edge of roof side molding contacts windshield molding with no gap.

- For setting a new clip A or B, use Epoxy Adhesive DP-100C made by 3M. For adhesive DP-100C application use an applicator 9170 EPX W 1:1 and mixer nozzle 9742 EPX 50ML made by 3M.



DOOR OUTSIDE MOLDING

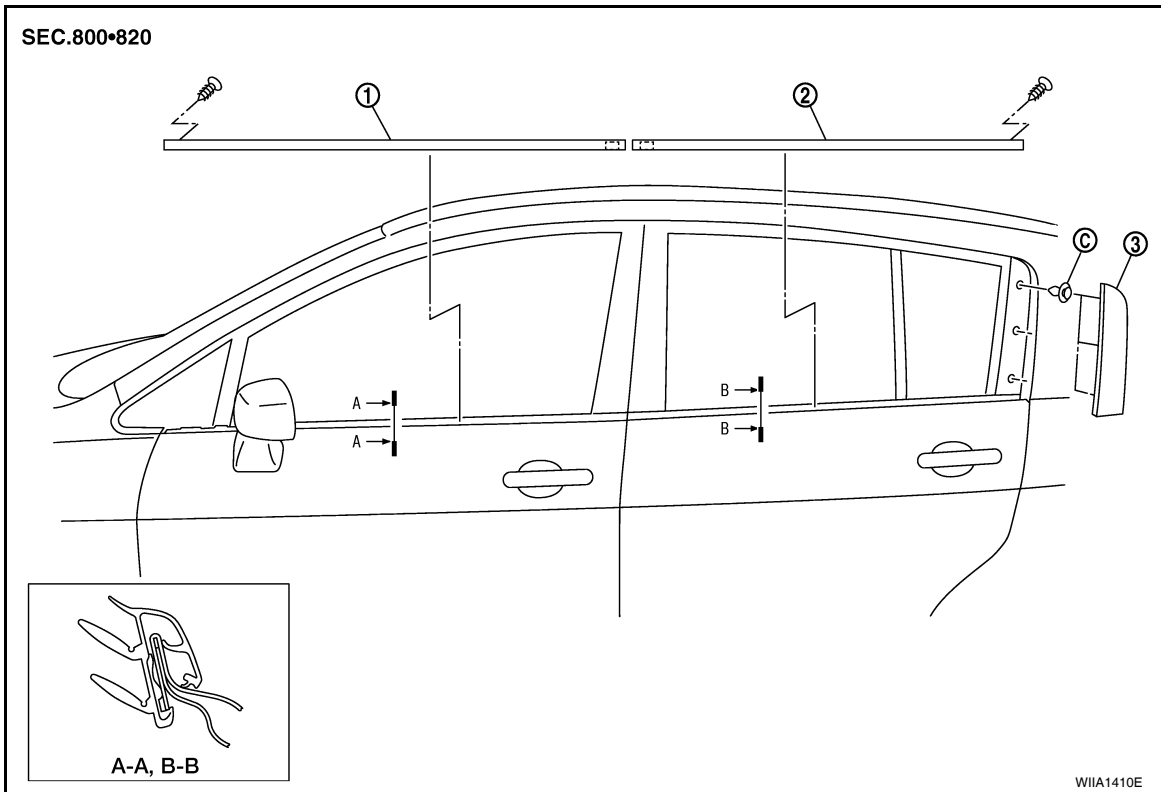
< ON-VEHICLE REPAIR >

DOOR OUTSIDE MOLDING

Component

INFOID:000000004307224

Hatchback Models



- 1. Front door outside molding
- C. Clip C101

- 2. Rear door outside molding

- 3. Rear door corner cover

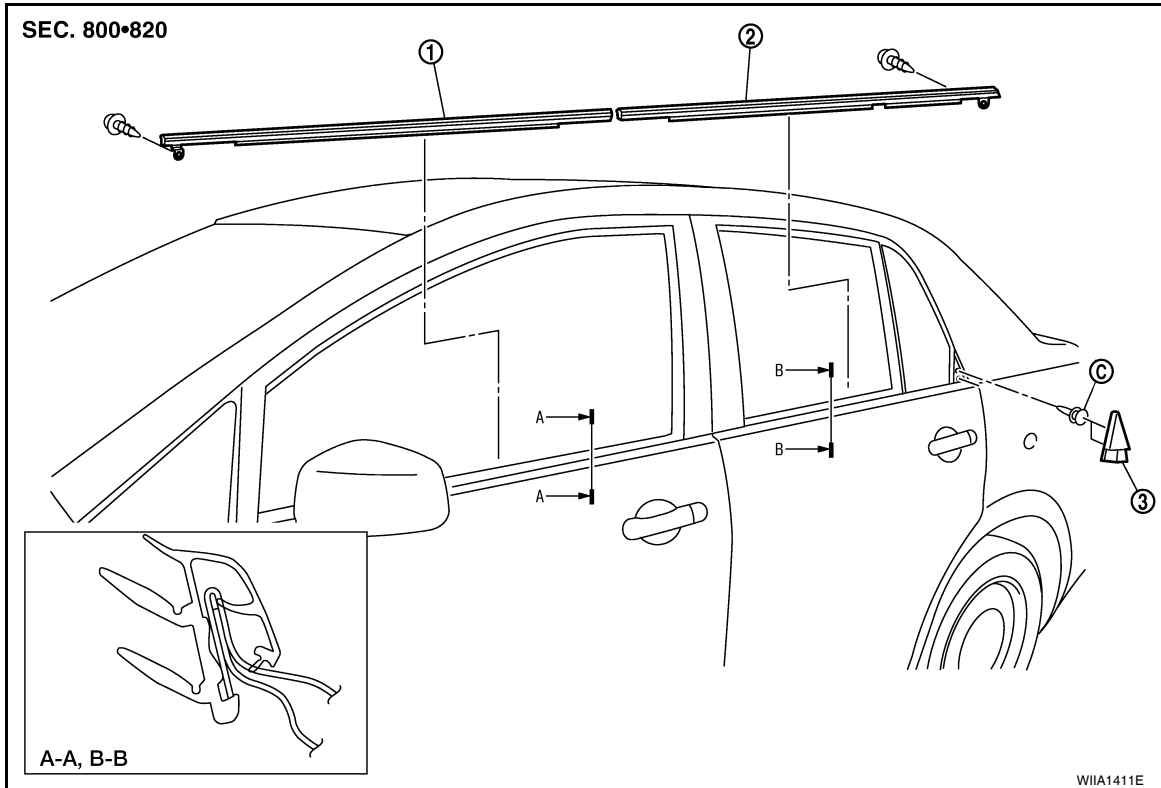
A
B
C
D
E
F
G
H
I
J
K
L
M
N
O
P

EI

DOOR OUTSIDE MOLDING

< ON-VEHICLE REPAIR >

Sedan Models



1. Front door outside molding
 2. Rear door outside molding
 3. Rear door corner cover
- C. Clip C101

Removal and Installation

INFOID:000000004307225

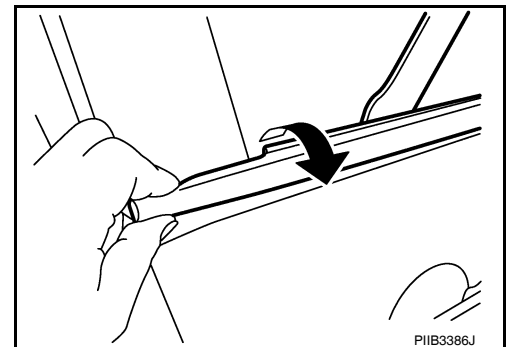
FRONT DOOR OUTSIDE MOLDING

CAUTION:

- Use care while removing to avoid permanent damage to part from excessive force during removal.
- After removal, visually inspect molding; replace if deformed or damaged.

Removal

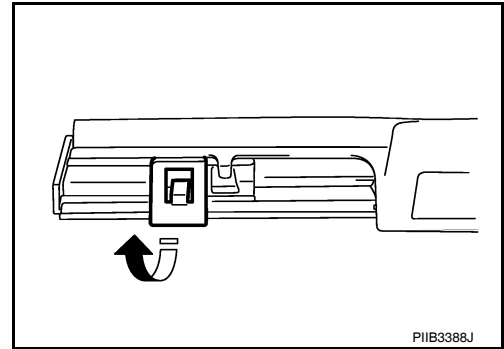
1. Open front door window.
2. Remove front door outside molding screw.
3. While pulling up on front of front door outside molding, insert a suitable tool beneath the molding and release it from the door top edge.



DOOR OUTSIDE MOLDING

< ON-VEHICLE REPAIR >

4. Twist the lower edge of the molding away from the door at the rear to gain access to the locking tab.
5. Insert a suitable tool behind the molding pressing the center of the tab inward to release.
6. Remove front door outside molding while pulling up after disengaging.



Installation

Installation is in the reverse order of removal.

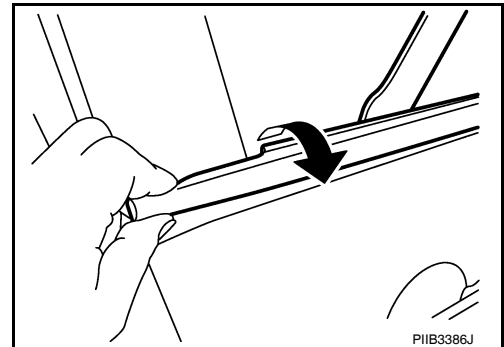
REAR DOOR OUTSIDE MOLDING

CAUTION:

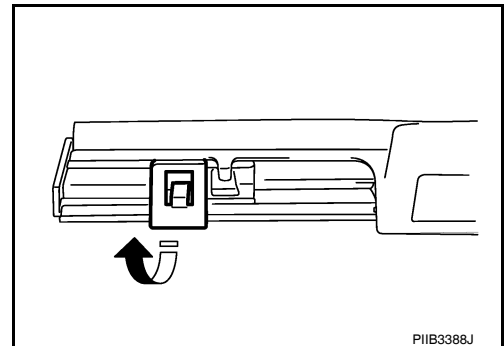
- Use care while removing to avoid permanent damage to part from excessive force during removal.
- After removal, visually inspect molding; replace if deformed or damaged.

Removal

1. Open rear door window.
2. Remove rear door outside molding screw.
3. While pulling up on rear of rear door outside molding, insert a suitable tool beneath the molding and release it from the door top edge.



4. Twist the lower edge of the molding away from the door at the front to gain access to the locking tab.
5. Insert a suitable tool behind the molding pressing the center of the tab inward to release.
6. Remove rear door outside molding while pulling up after disengaging.



Installation

Installation is in the reverse order of removal.

REAR DOOR CORNER COVER

Removal

Using a suitable tool, release the clips while pulling outward and remove the rear door corner cover.

Installation

Installation is in the reverse order of removal.

A
B
C
D
E
F
G
H
EI
J
K
L
M
N
O
P

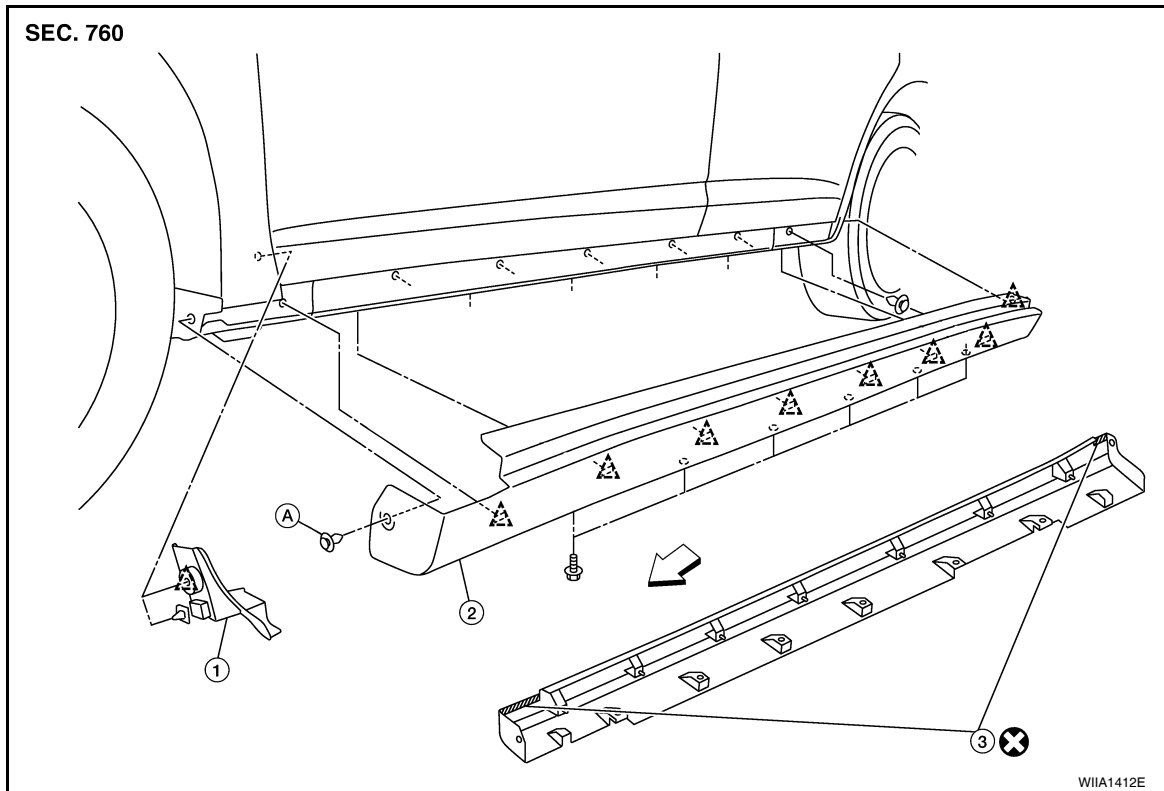
CENTER MUD GUARD

< ON-VEHICLE REPAIR >

CENTER MUD GUARD

Removal and Installation

INFOID:000000004307226



1. Sill cover cap

2. Center mud guard

3. Double-faced adhesive tape

A. Clip C205

■ Clip C101

← Vehicle front

REMOVAL

1. Remove center mud guard screws, front and rear.
2. Remove center mud guard bolts at bottom edge and release double-faced adhesive tape from body side.
3. Open front and rear doors, then using a suitable tool, remove the clips and remove the center mud guard from the body side.
4. Release the sill cover cap clips, then remove sill cover cap.

INSTALLATION

Installation is in the reverse order of removal.

NOTE:

- Always replace double-faced adhesive tape on back of center mud guard when installing.
- Do not wash vehicle within 24 hours after installation.

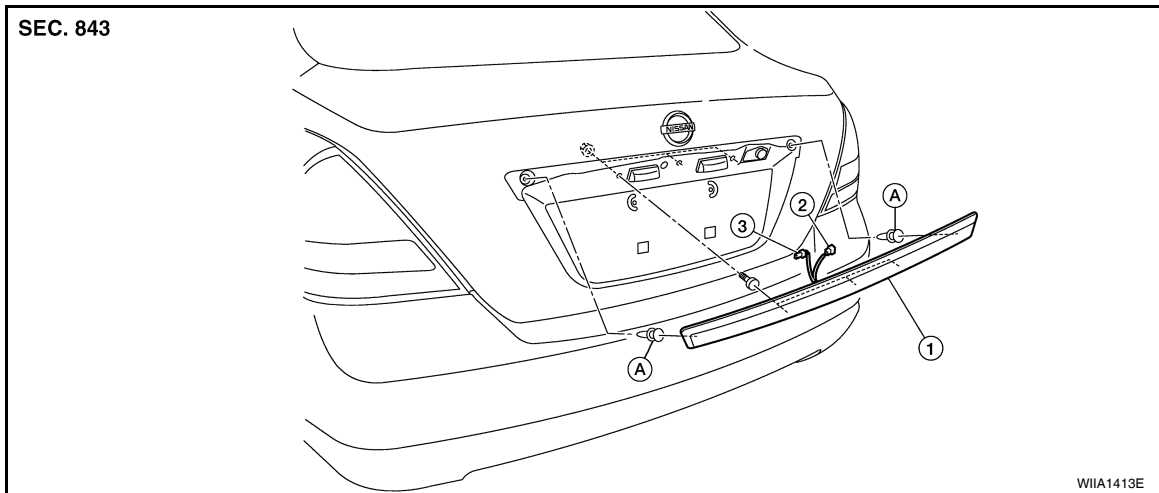
TRUNK LID FINISHER

< ON-VEHICLE REPAIR >

TRUNK LID FINISHER

Removal and Installation

INFOID:000000004307227



- 1. Trunk lid finisher outer
- 2. Trunk lid opener switch connector
- 3. Trunk opener request switch connector
- A. Clip C101

REMOVAL

1. Disconnect the negative battery terminal.
2. Open trunk lid, remove trunk lid finisher inner. Refer to [EI-55](#).
3. Remove trunk lid finisher outer nuts.
4. Release the clips, then pull trunk lid finisher outer away from trunk lid.
5. Disconnect trunk lid opener switch connector and trunk opener request switch connector, then remove trunk lid finisher outer.

INSTALLATION

Installation is in the reverse order of removal.

A
B
C
D
E
F
G
H
EI
J
K
L
M
N
O
P

REAR AIR SPOILER

< ON-VEHICLE REPAIR >

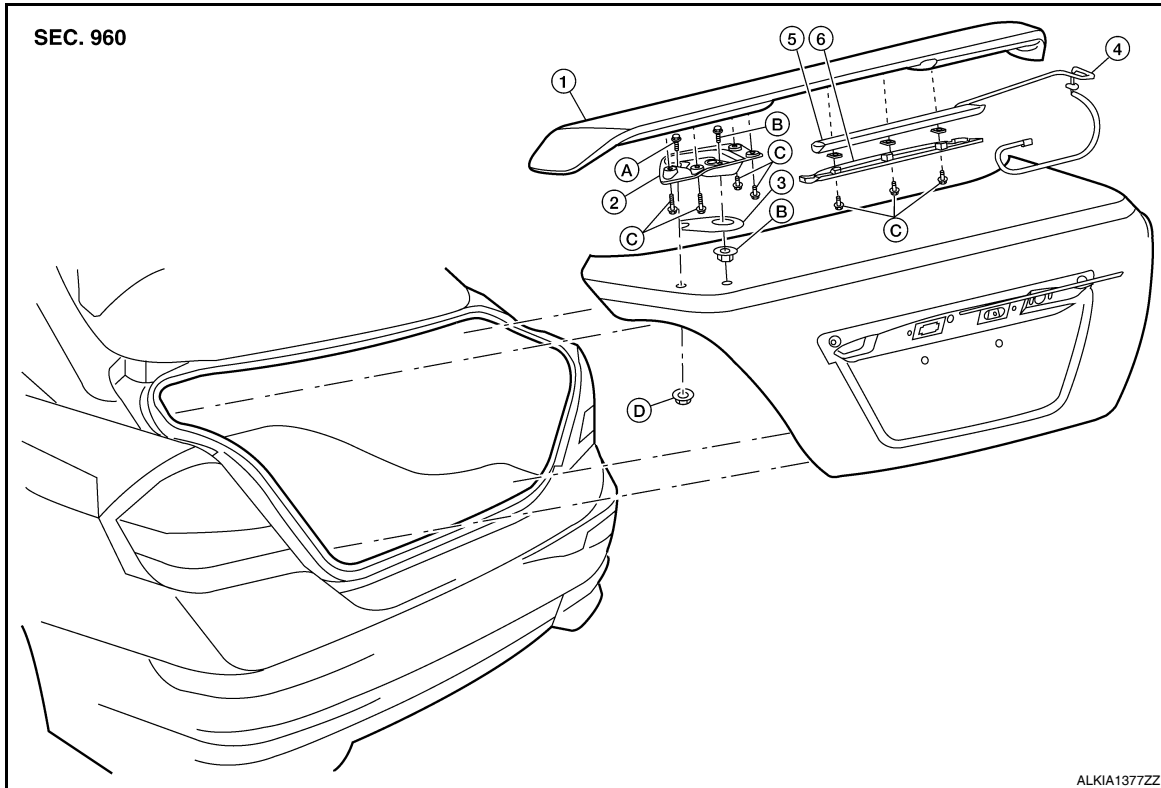
REAR AIR SPOILER

Removal and Installation

INFOID:000000004307228

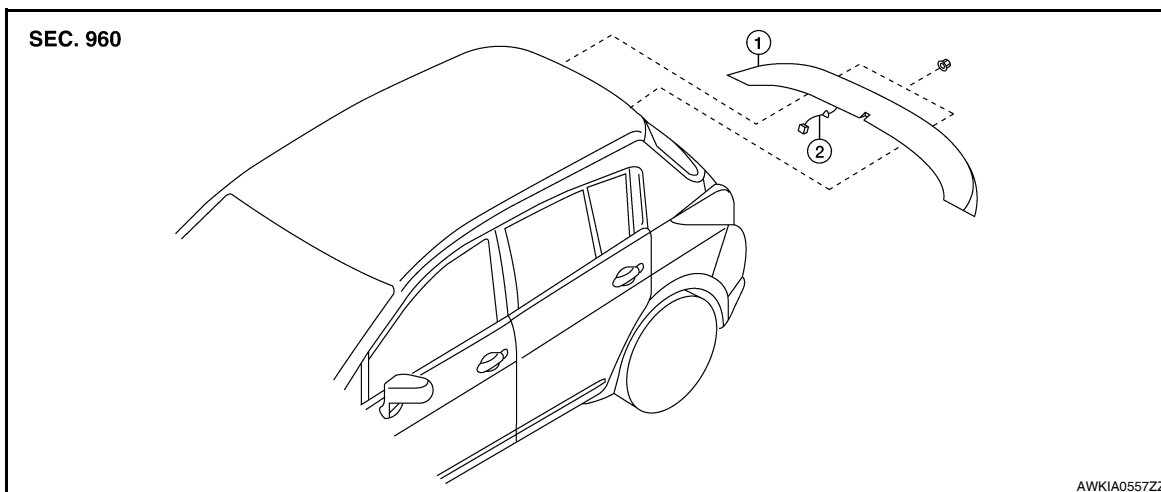
Exploded View

Sedan Models



- | | | |
|-----------------------------------|-------------------------------|------------------------------|
| 1. Rear air spoiler assembly | 2. Stanchion | 3. Adhesive backed foam tape |
| 4. High mounted stop lamp harness | 5. High mounted stop lamp LED | 6. Bracket |
| A. Stud | B. Clip CF118 | C. Screw |
| D. Nut | | |

Hatchback Models



- | | |
|------------------------------|-----------------------------------|
| 1. Rear air spoiler assembly | 2. High mounted stop lamp harness |
|------------------------------|-----------------------------------|

Removal - Sedan

1. Disconnect the negative battery terminal.

REAR AIR SPOILER

< ON-VEHICLE REPAIR >

2. Remove the rear spoiler nuts.
3. Remove inside trunk lid finisher. Refer to [EI-55, "Removal and Installation"](#).
4. Disconnect high mounted stop lamp connector.
5. Release adhesive backed foam tape and clips, then carefully lift the rear air spoiler from trunk lid.

CAUTION:

Use care not to damage painted surfaces during removal, or releasing of adhesive backed foam tapes if equipped.

6. Release the high mounted stop lamp harness grommet from trunk lid, then remove rear air spoiler.

Installation - Sedan

Installation is in the reverse order of removal.

NOTE:

- Before installing rear air spoiler, clean the surface where it will be mounted with isopropyl alcohol or equivalent to degrease the surface.
- Before installing, be sure there are no gaps or waves in the foam tape (if equipped) where the surfaces meet.
- During installation, be sure grommet of high mounted stop lamp harness is fully seated into trunk lid opening prior to final rear air spoiler placement.

Removal - Hatchback

1. Disconnect the negative battery terminal.
2. Remove back door finisher upper. Refer to [EI-38](#).
3. Disconnect high mounted stop lamp connector.
4. Remove the nuts and carefully lift the rear air spoiler from the back door.

CAUTION:

Use care not to damage painted surfaces during removal, or releasing of adhesive backed foam tapes if equipped.

5. Release the high mounted stop lamp harness grommet from back door, then remove rear air spoiler.

Installation - Hatchback

Installation is in the reverse order of removal.

NOTE:

- Before installing rear air spoiler, clean the surface where it will be mounted with isopropyl alcohol or equivalent to degrease the surface.
- Before installing, be sure there are no gaps or waves in the foam tape (if equipped) where the surfaces meet.
- During installation, be sure grommet of high mounted stop lamp harness is fully seated into back door opening prior to final rear air spoiler placement.

A
B
C
D
E
F
G
H
EI
J
K
L
M
N
O
P

DOOR FINISHER

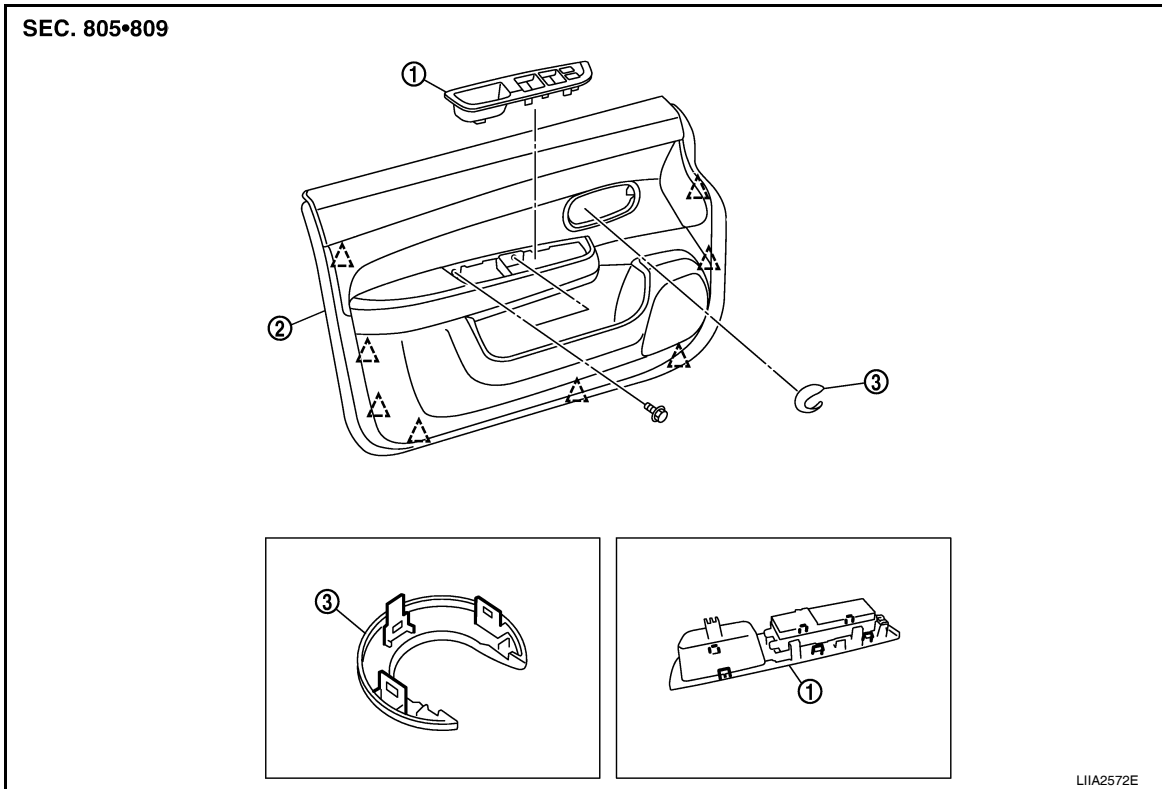
< ON-VEHICLE REPAIR >

DOOR FINISHER

Removal and Installation

INFOID:000000004307229

FRONT DOOR

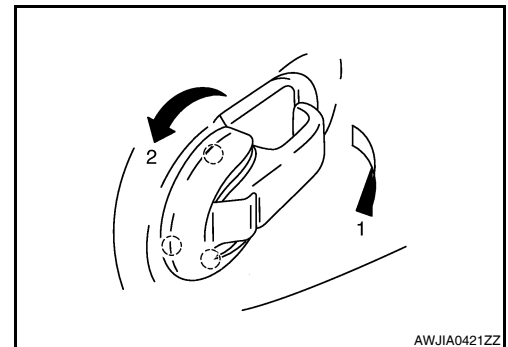


1. Power window and door lock/unlock switch finisher 2. Front door finisher 3. Inside handle escutcheon

■ Clip C101

Removal

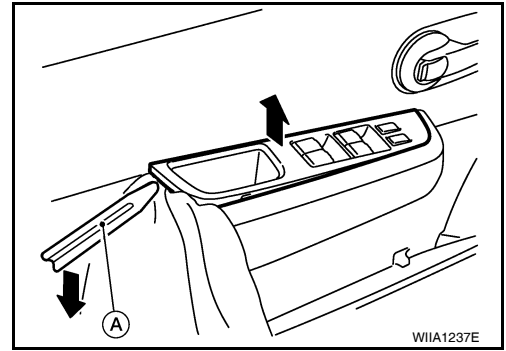
1. Open front door and front door window.
2. Disconnect the negative battery terminal.
3. Release the front door inside handle escutcheon pawls, then slide the escutcheon rearward to remove from front door finisher.



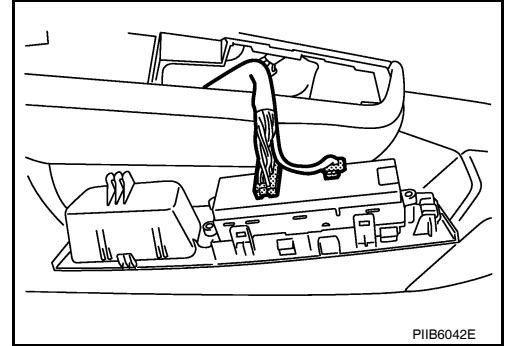
DOOR FINISHER

< ON-VEHICLE REPAIR >

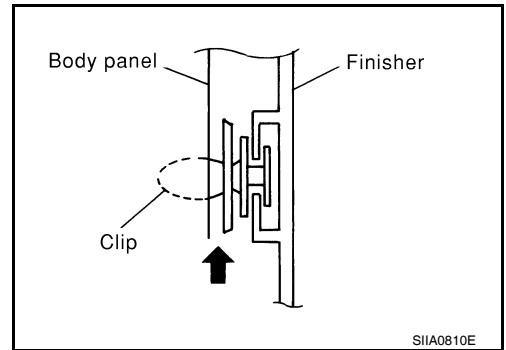
4. Insert a trim stick (A) or suitable tool into back edge of front door power window and door lock/unlock switch finisher. Lift upward to release the clips and remove.



5. Disconnect front door power window and door lock/unlock switch harness connector.



6. Remove the two front door finisher screws.
7. Release the clips, then lift front door finisher upward to remove it from door body panel.



Installation

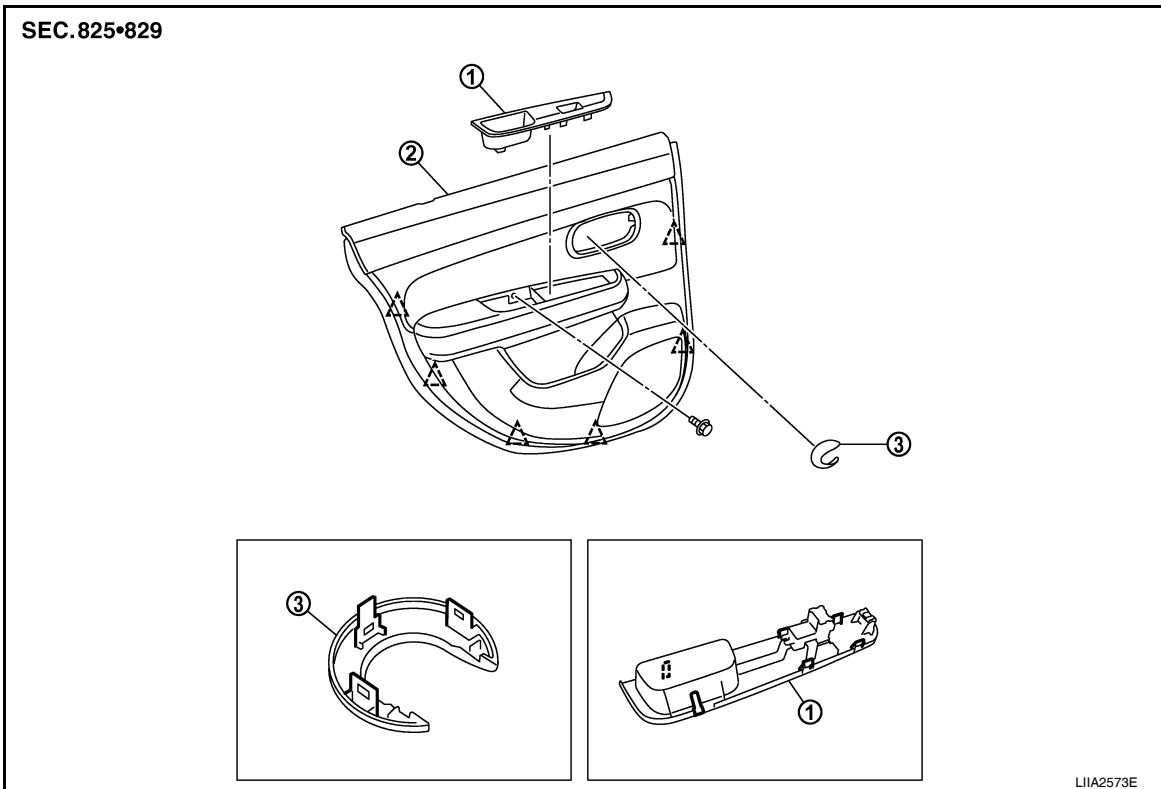
Installation is in the reverse order of removal.

REAR DOOR

A
B
C
D
E
F
G
H
EI
J
K
L
M
N
O
P

DOOR FINISHER

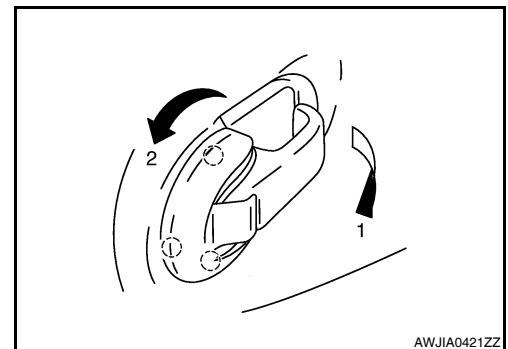
< ON-VEHICLE REPAIR >



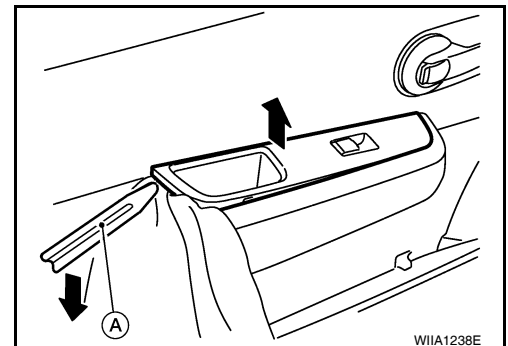
1. Rear power window switch finisher 2. Rear door finisher 3. Inside handle escutcheon
■ Clip C101

Removal

1. Open rear door and rear door window.
2. Disconnect the negative battery terminal.
3. Release the rear door inside handle escutcheon pawls, then slide the escutcheon rearward to remove from rear door finisher.



4. Insert a trim stick (A), or suitable tool into back edge of rear door power window switch finisher. Lift upward to release the clips and remove.

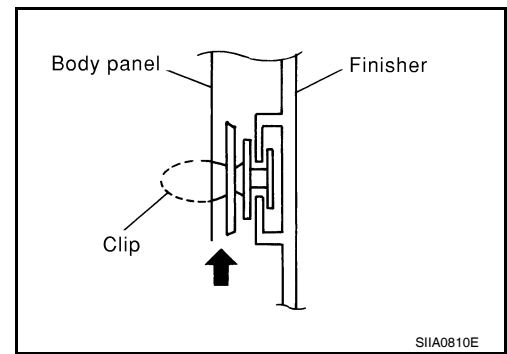


5. Disconnect rear door power window switch harness connector.
6. Remove rear door finisher screw.

DOOR FINISHER

< ON-VEHICLE REPAIR >

7. Release the clips, then lift rear door finisher upward to remove it from door body panel.



Installation

Installation is in the reverse order of removal.

A
B
C
D
E
F
G
H
EI
J
K
L
M
N
O
P

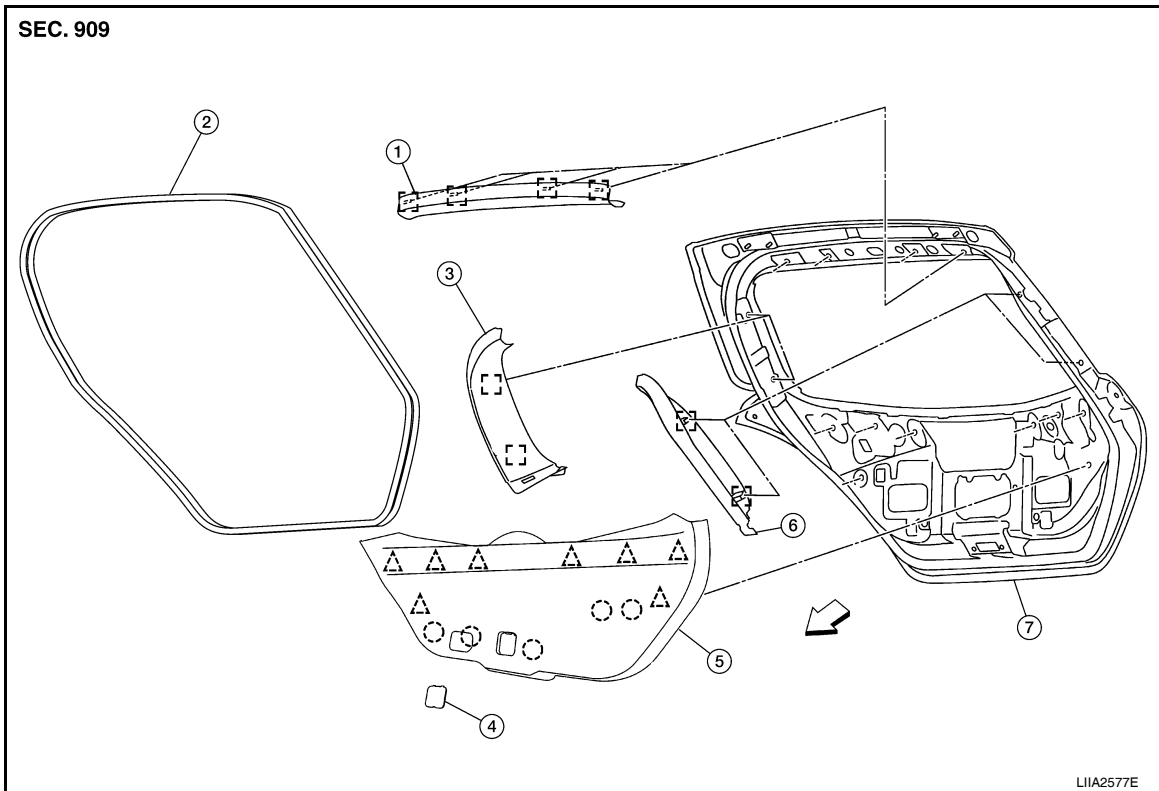
BACK DOOR TRIM

< ON-VEHICLE REPAIR >

BACK DOOR TRIM

Removal and Installation

INFOID:000000004307230



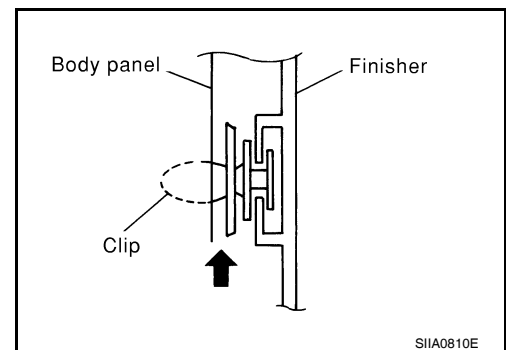
- | | | |
|-----------------------------|-----------------------------|--------------------------------|
| 1. Back door finisher upper | 2. Back door weatherstrip | 3. Back door side garnish (RH) |
| 4. Cover | 5. Back door finisher lower | 6. Back door side garnish (LH) |
| 7. Back door | ■ Pawl | ■ Metal clip |
| ■ Clip C101 | ← Vehicle front | |

REMOVAL

CAUTION:

- Insert a suitable tool between panel on vehicle and clips (as indicated with arrow) to release clips.
- Use a suitable tool when removing metal clips from garnishes.
- Be careful not to damage the body while prying to release clips.
- Make sure clips are properly aligned in panel holes on body when installing, then press them in completely.

1. Open back door.
2. Release the clips, then lift upward to release the pawls and remove the back door finisher lower.
3. Release the clips, then remove back door side garnish RH/LH.
4. Release the clips, then remove back door finisher upper from the back door.



INSTALLATION

Installation is in the reverse order of removal.

BODY SIDE TRIM

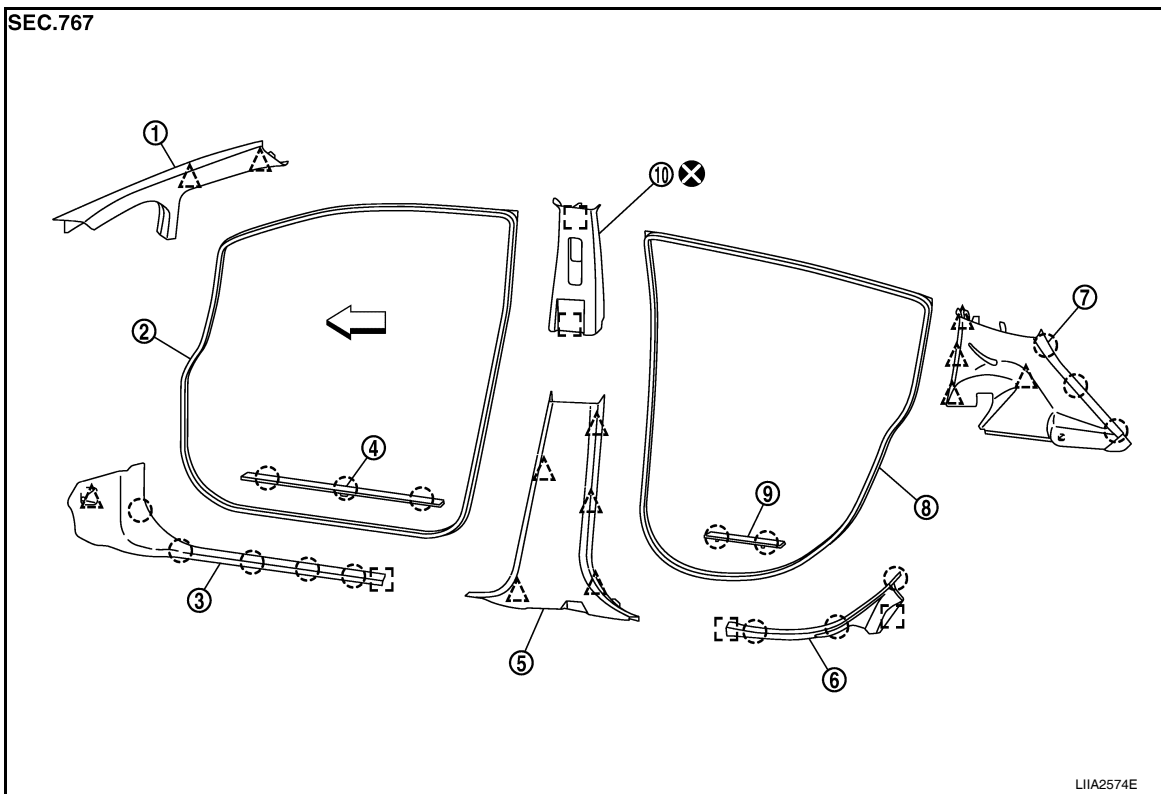
< ON-VEHICLE REPAIR >

BODY SIDE TRIM

Component

INFOID:000000004307231

Hatchback Models



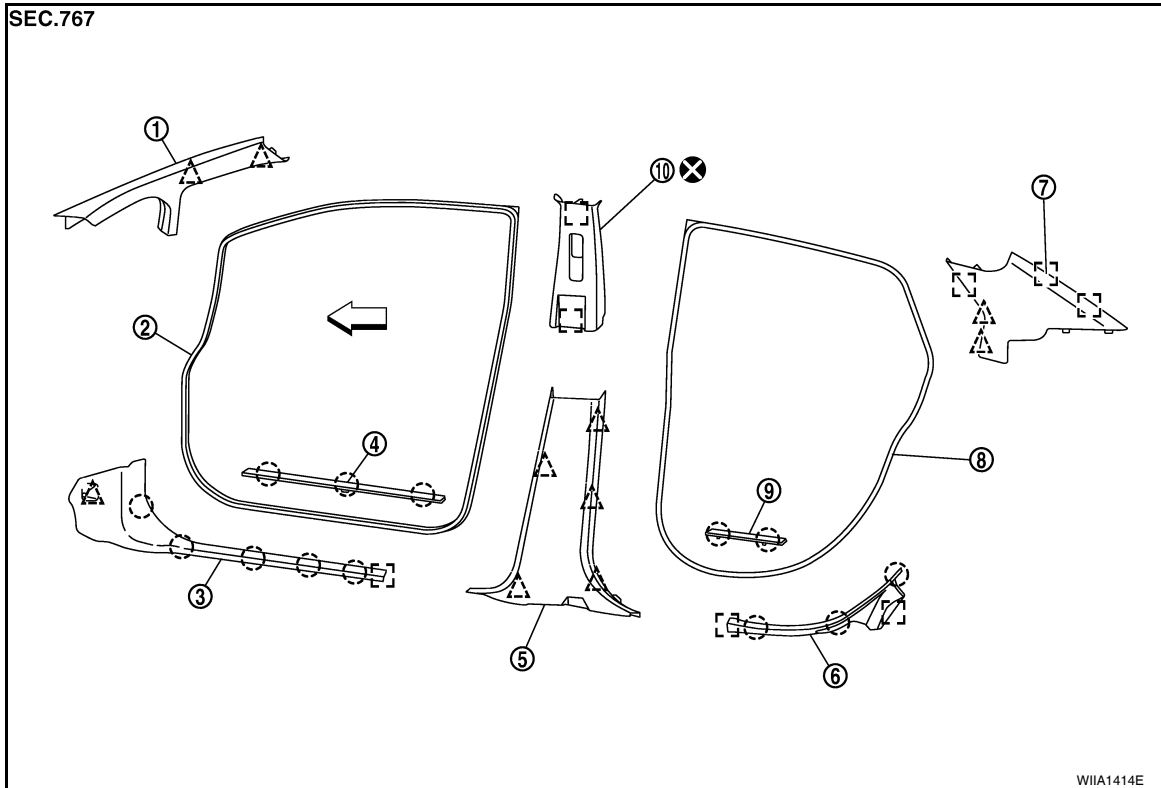
- | | | |
|---------------------------------|--------------------------------|------------------------------|
| 1. Front pillar garnish | 2. Front body side welt | 3. Front kicking plate inner |
| 4. Front kicking plate outer | 5. Center pillar lower garnish | 6. Rear kicking plate inner |
| 7. Rear pillar finisher | 8. Rear body side welt | 9. Rear kicking plate outer |
| 10. Center pillar upper garnish | ■ Pawl | ■ Metal clip |
| ■ Clip | ← Vehicle front | |

A
B
C
D
E
F
G
H
EI
J
K
L
M
N
O
P

BODY SIDE TRIM

< ON-VEHICLE REPAIR >

Sedan Models



- | | | |
|---------------------------------|--------------------------------|------------------------------|
| 1. Front pillar garnish | 2. Front body side welt | 3. Front kicking plate inner |
| 4. Front kicking plate outer | 5. Center pillar lower garnish | 6. Rear kicking plate inner |
| 7. Rear pillar finisher | 8. Rear body side welt | 9. Rear kicking plate outer |
| 10. Center pillar upper garnish | ■ Pawl | ■ Metal clip |
| ■ Clip | ← Vehicle front | |

Removal and Installation

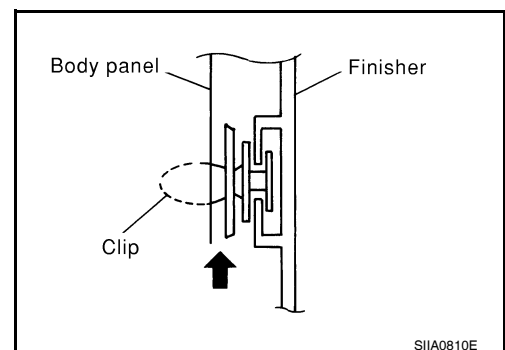
INFOID:000000004307232

WARNING:

Do not reuse center pillar upper garnish if removed.

CAUTION:

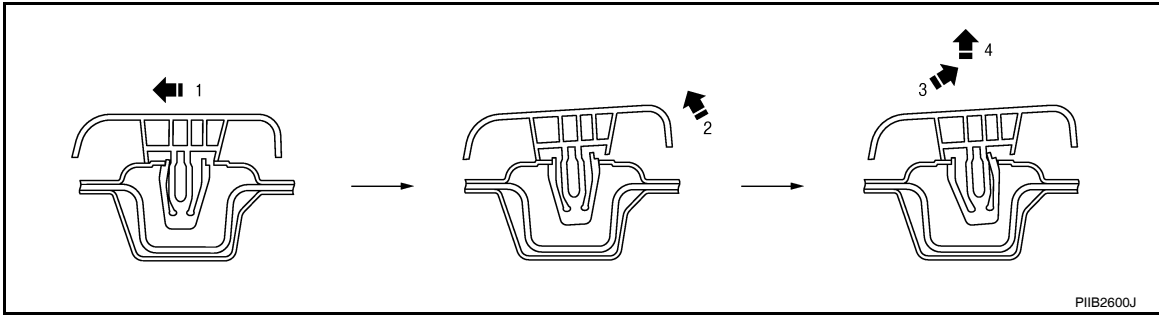
- Insert a suitable tool between panel on vehicle and clips (as indicated with arrow) to release clips.
- Use a suitable tool when removing metal clips from garnishes.
- Be careful not to damage the body while prying to release clips.
- Make sure clips are properly aligned in panel holes on body when installing, then press them in completely.



BODY SIDE TRIM

< ON-VEHICLE REPAIR >

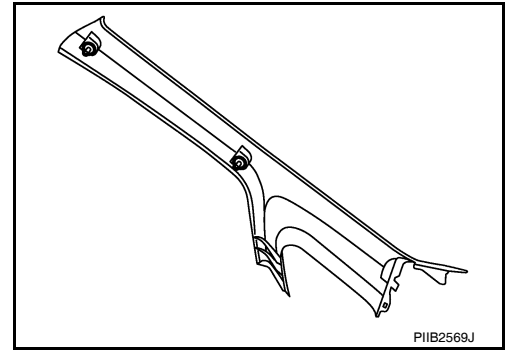
- When releasing molded-in pawls or resin clips, follow the steps below to prevent garnish or clip damage.



FRONT PILLAR GARNISH

Removal

Release the clips, then remove front pillar garnish.



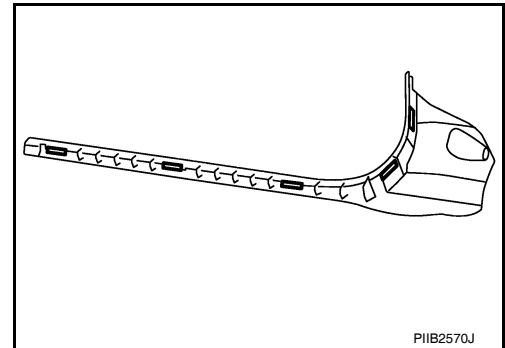
Installation

Installation is in the reverse order of removal.

FRONT KICKING PLATE INNER

Removal

Release the clips, then remove front kicking plate inner.



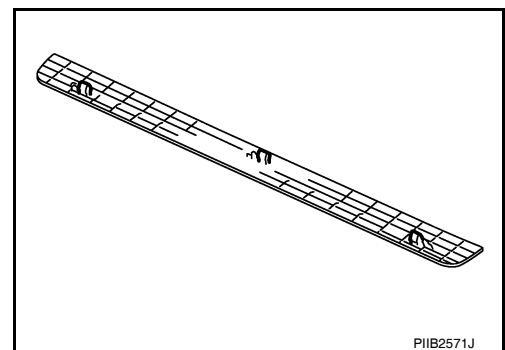
Installation

Installation is in the reverse order of removal.

FRONT KICKING PLATE OUTER

Removal

Release the clips, then remove front kicking plate outer.



A
B
C
D
E
F
G
H
I
J
K
L
M
N
O
P

EI

BODY SIDE TRIM

< ON-VEHICLE REPAIR >

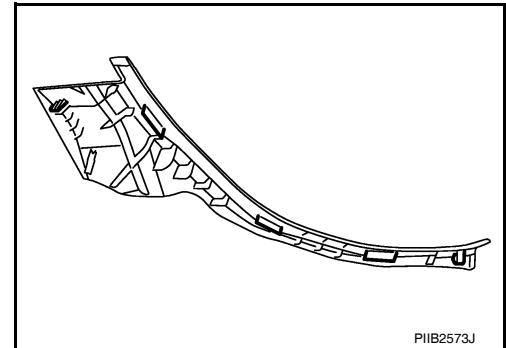
Installation

Installation is in the reverse order of removal.

REAR KICKING PLATE INNER

Removal

Release the clips, then remove rear kicking plate inner.



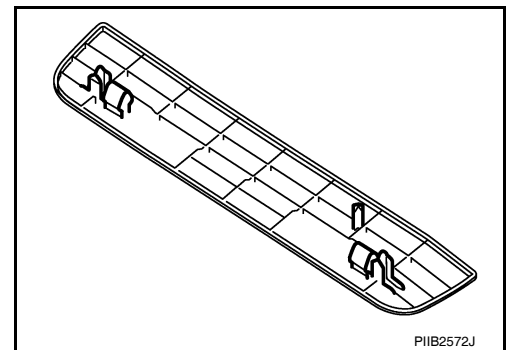
Installation

Installation is in the reverse order of removal.

REAR KICKING PLATE OUTER

Removal

Release the clips, then remove rear kicking plate outer.



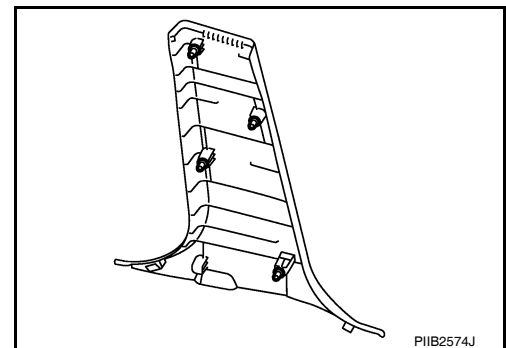
Installation

Installation is in the reverse order of removal.

CENTER PILLAR LOWER GARNISH

Removal

1. Remove front kicking plate inner.
2. Remove rear kicking plate inner.
3. Remove front and rear body side welts.
4. Release the clips, then remove center pillar lower garnish.



Installation

Installation is in the reverse order of removal.

CENTER PILLAR UPPER GARNISH

Removal

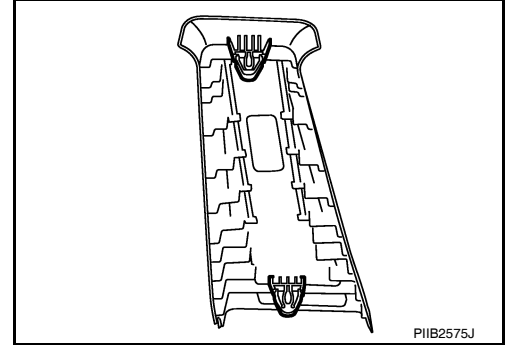
BODY SIDE TRIM

< ON-VEHICLE REPAIR >

WARNING:

Do not reuse center pillar upper garnish if removed.

1. Remove center pillar lower garnish.
2. Remove front seat belt shoulder anchor. Refer to [SB-4. "Removal and Installation of Front Seat Belt"](#).
3. Remove front and rear body side welts.
4. Release the resin clips, then remove center pillar upper garnish.



Installation

Installation is in the reverse order of removal.

REAR PILLAR FINISHER

Removal

1. Remove rear seat cushion, rear seatback, and seatback side cushions. Refer to [SE-16. "Removal and Installation"](#).
2. Remove rear body side welt.
3. Release the clips, then remove rear pillar finisher.

Installation

Installation is in the reverse order of removal.

A
B
C
D
E
F
G
H
I
J
K
L
M
N
O
P

EI

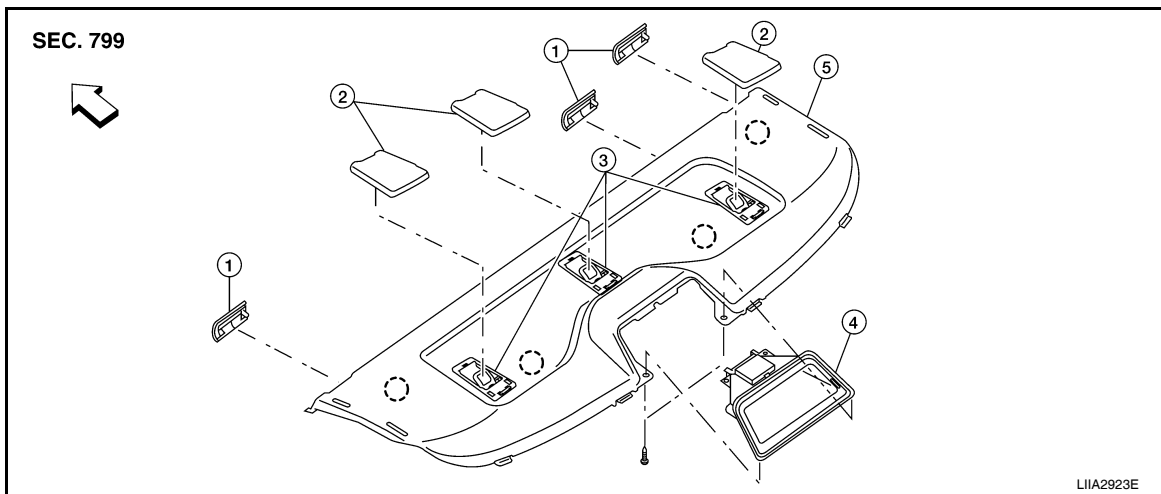
REAR PARCEL SHELF FINISHER

< ON-VEHICLE REPAIR >

REAR PARCEL SHELF FINISHER

Removal and Installation

INFOID:000000004307233



- | | | |
|---|-------------------------------|----------------------------|
| 1. Rear seat belt shoulder anchor cover | 2. Child anchor cover | 3. Child anchor cover base |
| 4. High mounted stop lamp (if equipped) | 5. Rear parcel shelf finisher | ■ Pawl |

← Vehicle front

REMOVAL

1. Disconnect the negative battery terminal.
2. Remove rear seat. Refer to [SE-16, "Removal and Installation"](#).
3. Remove rear pillar finisher. Refer to [EI-40, "Removal and Installation"](#).
4. Remove high mounted stop lamp and disconnect connector (if equipped).
5. Remove rear parcel shelf finisher.

INSTALLATION

Installation is in the reverse order of removal.

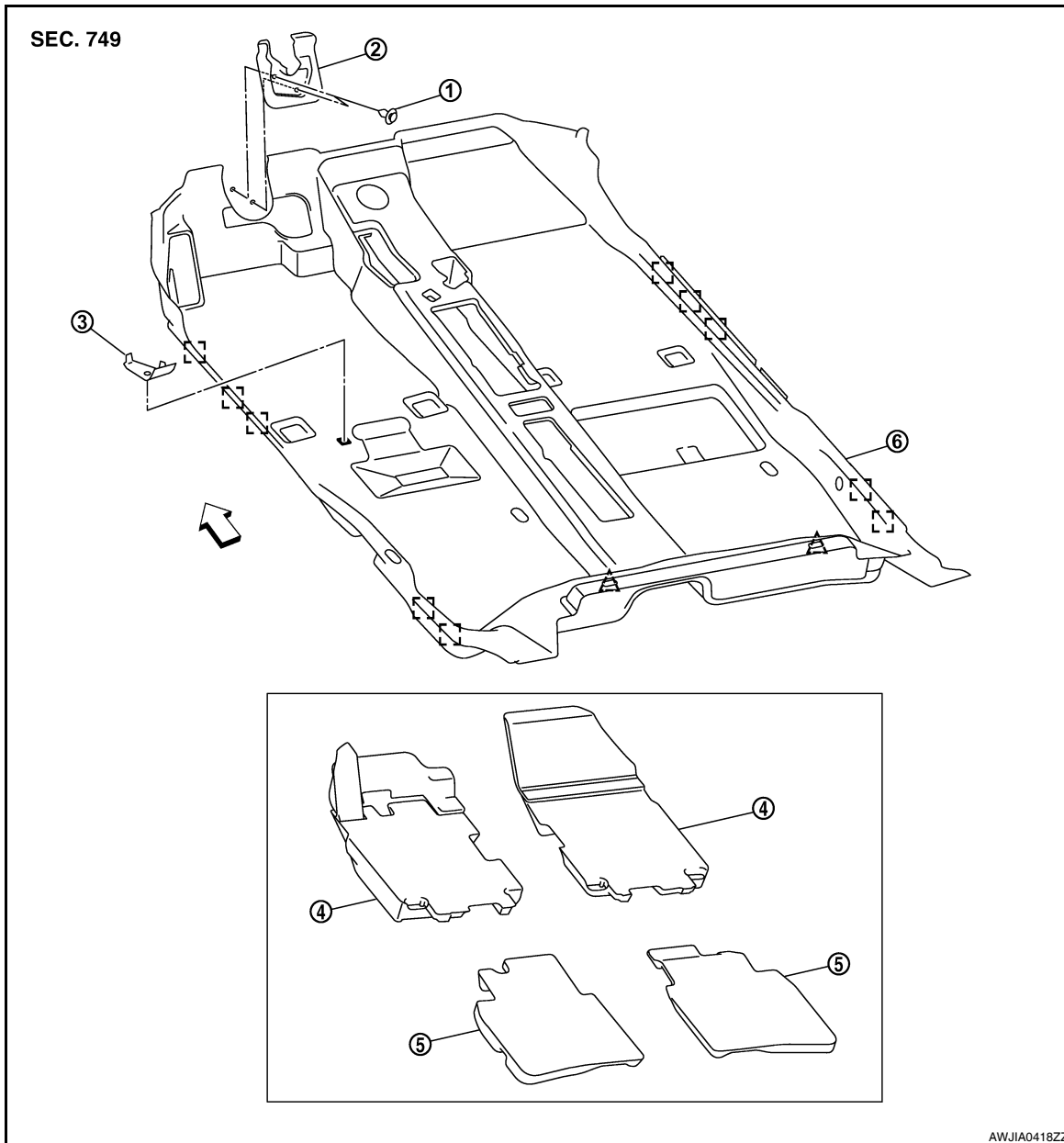
FLOOR TRIM

< ON-VEHICLE REPAIR >

FLOOR TRIM

Removal and Installation

INFOID:000000004307234



- | | | |
|-----------------------|--------------------------------|----------------------|
| 1. Clip C101 | 2. Steering column shaft cover | 3. Floor carpet hook |
| 4. Front floor spacer | 5. Rear floor spacer | 6. Floor trim |
| ■ Metal clip | ■ Clip CF110 | ← Vehicle front |

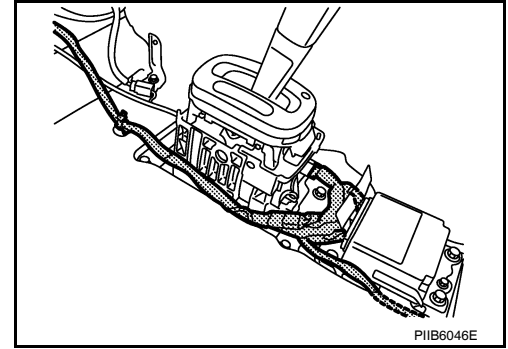
REMOVAL

1. Disconnect both the negative and positive battery terminals, then wait at least three minutes.
2. Remove front seat assembly RH/LH and rear seat cushion. Refer to [SE-12, "Removal and Installation"](#) and [SE-16, "Removal and Installation"](#).
3. Remove center console and floor bracket. Refer to [IP-12, "Removal and Installation"](#).
4. Remove instrument lower cover. Refer to [IP-12, "Removal and Installation"](#).
5. Remove front kicking plate inner RH/LH, center pillar lower garnish RH/LH, and rear kicking plate inner RH/LH. Refer to [EI-40, "Removal and Installation"](#).

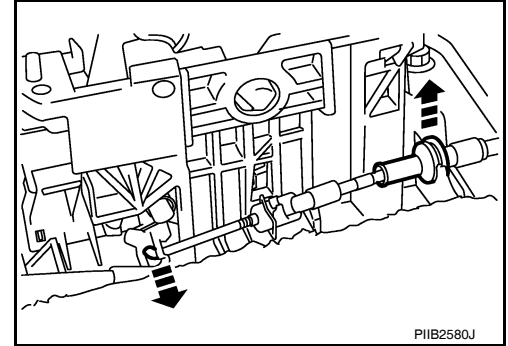
FLOOR TRIM

< ON-VEHICLE REPAIR >

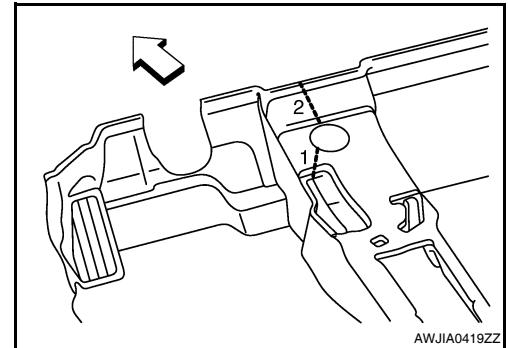
6. Disconnect floor harness connector.
7. Remove diagnosis sensor unit. Refer to [SRS-45](#).



8. Remove key interlock cable. Refer to [AT-218](#).



9. Remove floor carpet hook.
10. Cut floor trim using a blade knife first between openings (1), then at front edge (2) as shown.
 - ■: Vehicle front



11. Release floor trim metal clips after cutting, then pull out floor trim through door opening.
12. Remove floor spacer RH/LH.

INSTALLATION

Installation is in the reverse order of removal.

CAUTION:

When replacing the floor trim with a new one, prepare for installation by cutting it like the old one. Make sure there is a quality fit between floor trim and instrument lower cover by tucking the cut edge completely.

HEADLINING

< ON-VEHICLE REPAIR >

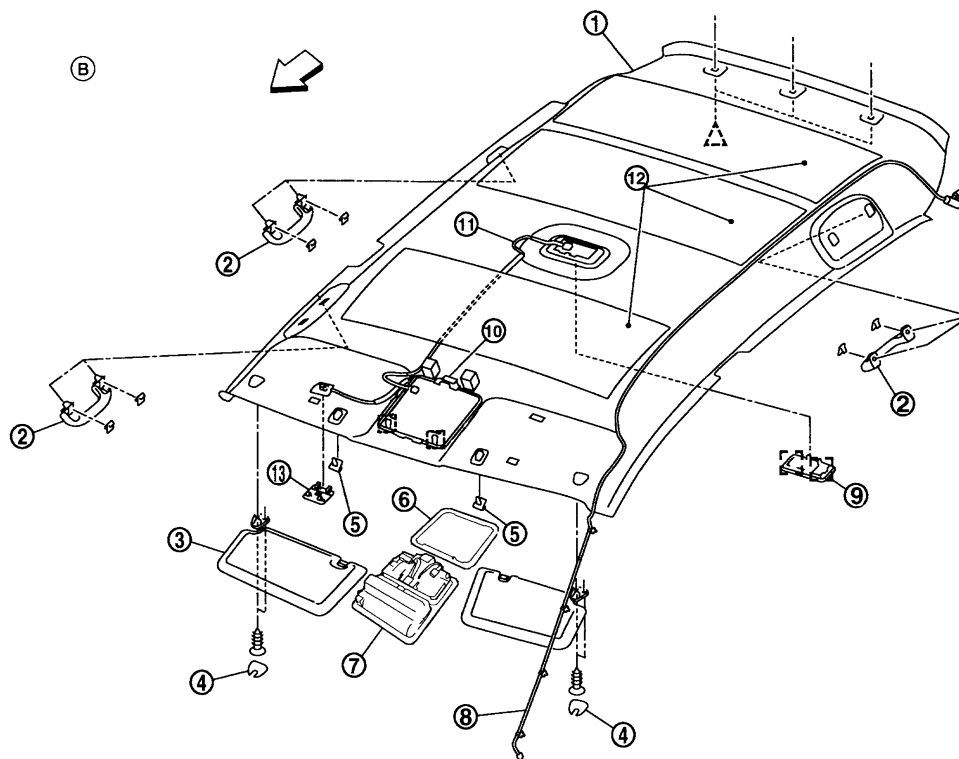
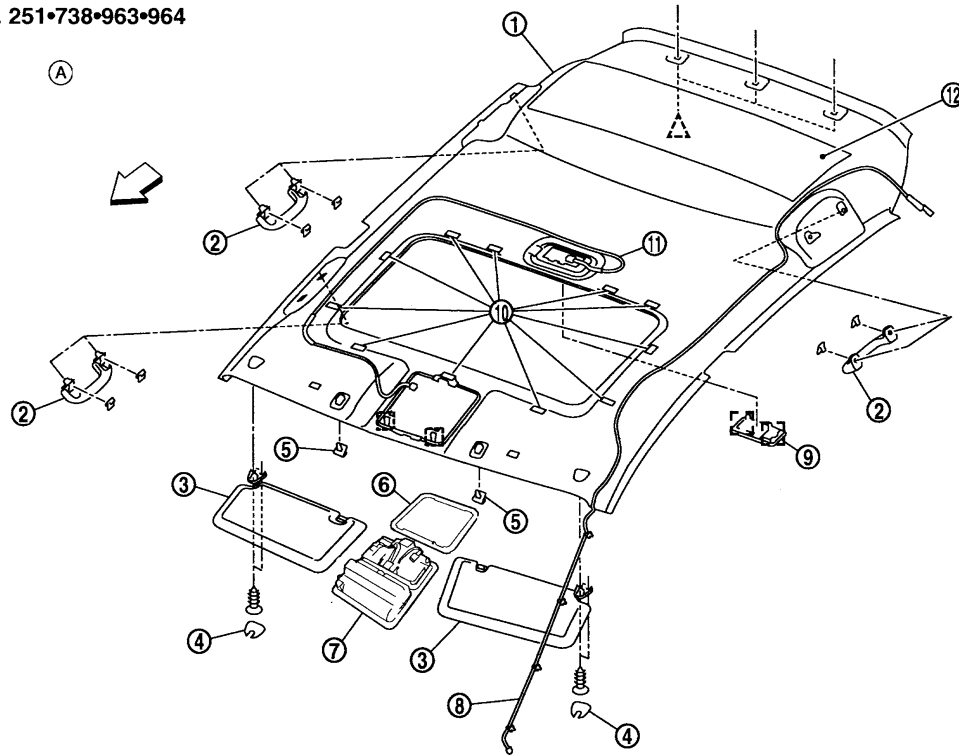
HEADLINING

Component

INFOID:000000004307235

Hatchback Models

SEC. 251•738•963•964



- 1. Headlining
- 4. Cap

- 2. Assist grip
- 5. Sunvisor holder

- 3. Sunvisor
- 6. Roof console retainer

LIA2576E

A
B
C
D
E
F
G
H
EI
J
K
L
M
N
O
P

HEADLINING

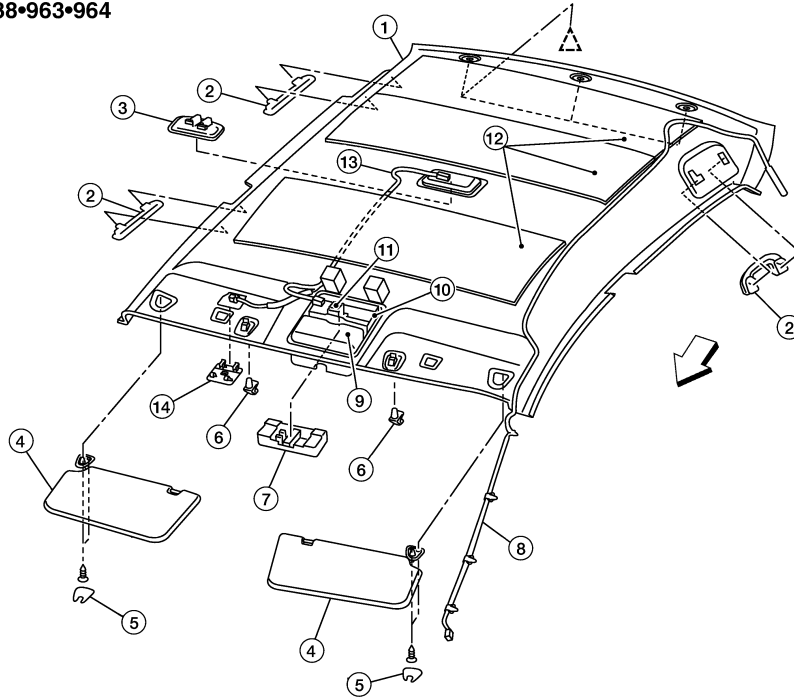
< ON-VEHICLE REPAIR >

- | | | |
|---|-------------------------|-----------------|
| 7. Roof console/map lamp assembly (if equipped) | 8. Antenna feeder cable | 9. Room lamp |
| 10. Dual lock fastener | 11. Room lamp harness | 12. Insulator |
| 13. Finisher | A. Without sunroof | B. With sunroof |
| ■ Metal clip | ■ Clip C103 | ← Vehicle front |

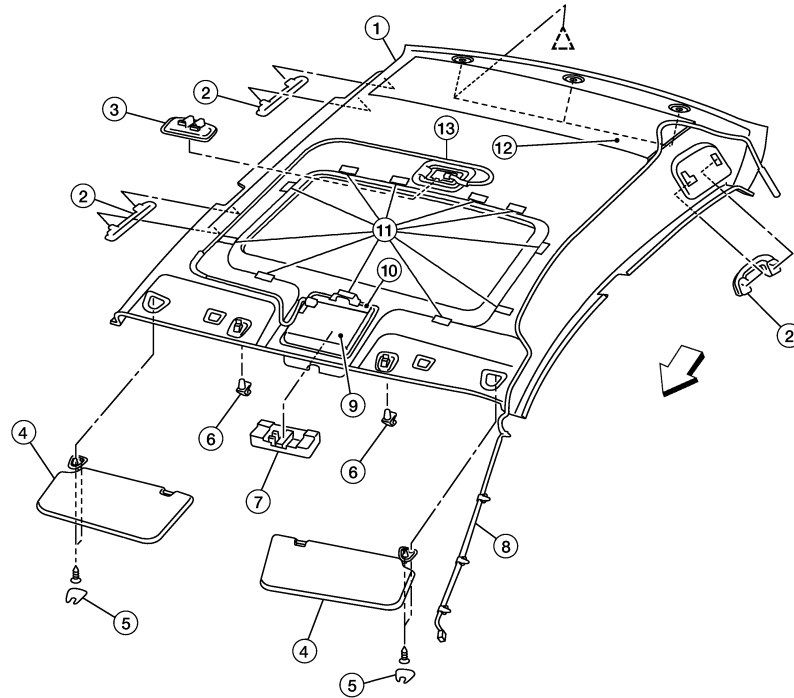
Sedan Models

SEC. 251•738•963•964

(A)



(B)



HEADLINING

< ON-VEHICLE REPAIR >

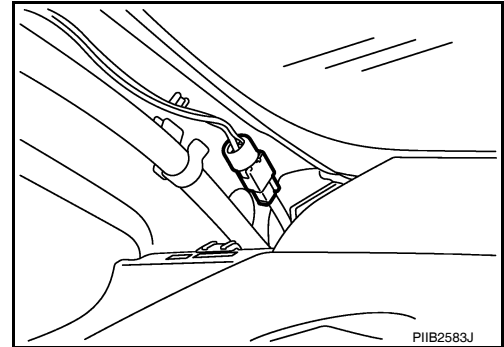
- | | | | |
|------------------------------------|-------------------------|--|---|
| 1. Headlining | 2. Assist grip | 3. Room lamp | A |
| 4. Sunvisor | 5. Cap | 6. Sunvisor holder | B |
| 7. Map lamp assembly (if equipped) | 8. Antenna feeder cable | 9. Roof console assembly (if equipped) | B |
| 10. Roof plate (if equipped) | 11. Dual lock fastener | 12. Insulator | C |
| 13. Room lamp harness | 14. Cover | A. With sunroof | C |
| B. Without sunroof | ■ Clip C103 | ← Vehicle front | D |

Removal and Installation - Hatchback

INFOID:000000004307236

REMOVAL

1. Disconnect the negative and positive battery terminals, then wait at least three minutes.
2. Remove front seat assembly RH/LH. Refer to [SE-12, "Removal and Installation"](#).
3. Remove rear seat cushion and rear seatback. Refer to [SE-16, "Removal and Installation"](#).
4. Remove front seat belt shoulder anchor RH/LH. Refer to [SB-4, "Removal and Installation of Front Seat Belt"](#).
5. Remove center console body assembly. Refer to [IP-11](#).
6. Remove front pillar garnish RH/LH. Refer to [EI-40, "Removal and Installation"](#).
7. Remove antenna feeder cable clip, then disconnect antenna feeder cable connector.

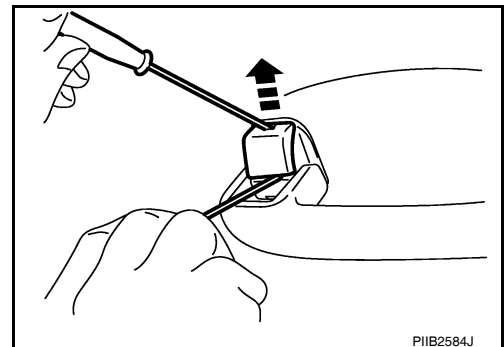


8. Remove front and rear kicking plate inner RH/LH, center pillar lower garnish, center pillar upper garnish, front and rear body side welt RH/LH. Refer to [EI-40, "Removal and Installation"](#).

WARNING:

Do not reuse center pillar upper garnish if removed.

9. Remove back door weatherstrip. Refer to [EI-38](#).
10. Release the clips using a suitable tool, then remove the front and rear assist grips.

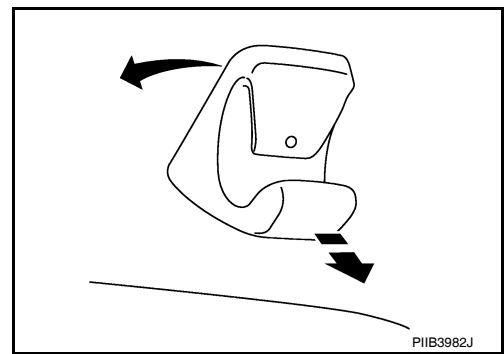


11. Remove the sunvisor caps and screws, then remove sunvisor RH/LH.

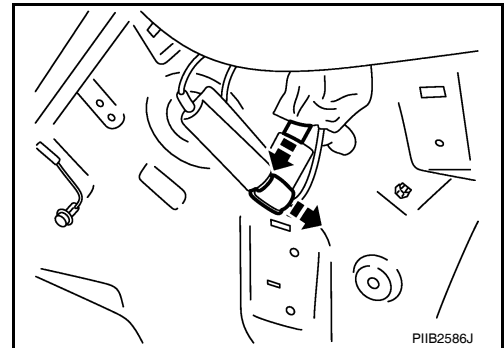
HEADLINING

< ON-VEHICLE REPAIR >

12. Remove sunvisor holders RH/LH by rotating 45 degrees, then pulling outward.



13. Release the metal clips, then remove the roof console/map lamp assembly (if equipped).
14. Release remaining headlining clips.
15. Disconnect antenna feeder cable near rear pillar finisher LH.

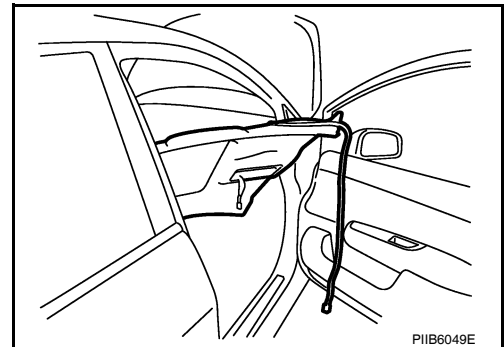


16. Disengage the dual lock fastener on the backside of headlining.
• Insert a suitable tool into the edge of dual lock fastener, then move the tool side to side horizontally to release it.

CAUTION:

Excessive up and down force may cause roof panel damage.

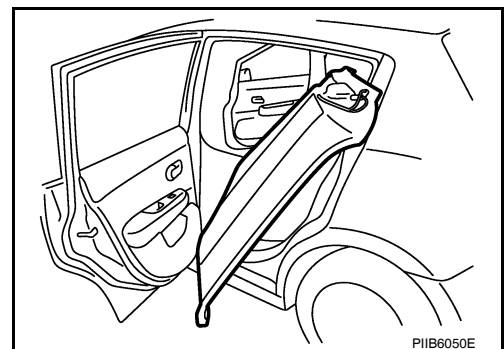
17. Position the headlining so the front edge goes through the opening of the right side front door.



18. Position the headlining so the rear edge goes through the opening of the left rear door, then remove headlining.

CAUTION:

- 2 technicians should be used to avoid damage when removing or replacing headlining.
- During headlining removal and installation, cover the center console finisher upper surface to prevent damage.
- Set A/T or CVT shift lever to the D position, and make a space to remove front end of headlining right side.
- Do not bend headlining when removing.



INSTALLATION

Installation is in the reverse order of removal.

CAUTION:

HEADLINING

< ON-VEHICLE REPAIR >

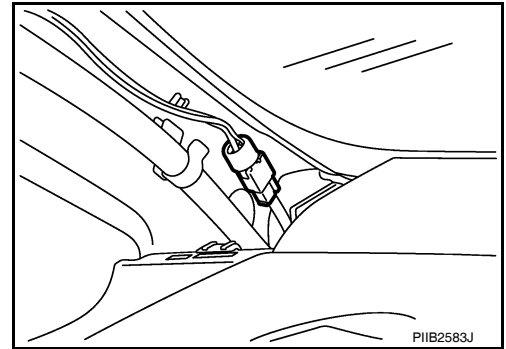
Avoid headlining damage when installing by inserting rear clips first during assembly.

Removal and Installation - Sedan

INFOID:000000004307237

REMOVAL

1. Disconnect the negative and positive battery terminals, then wait at least three minutes.
2. Remove front seat assembly RH/LH. Refer to [SE-12, "Removal and Installation"](#).
3. Remove rear seat cushion and rear seatback. Refer to [SE-16, "Removal and Installation"](#).
4. Remove front seat belt shoulder anchor RH/LH. Refer to [SB-4, "Removal and Installation of Front Seat Belt"](#).
5. Remove center console body assembly. Refer to [IP-11](#).
6. Remove front pillar garnish RH/LH. Refer to [EI-40, "Removal and Installation"](#).
7. Remove antenna feeder cable clip, then disconnect antenna feeder cable connector.

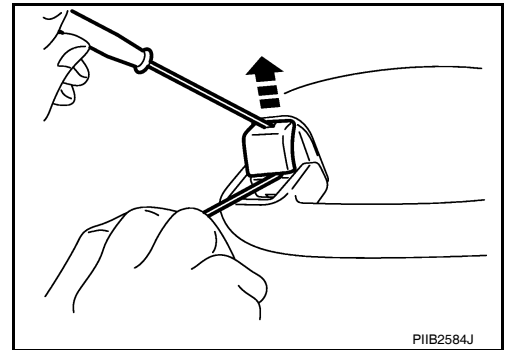


8. Remove front and rear kicking plate inner RH/LH, center pillar lower garnish, center pillar upper garnish, front and rear body side welt RH/LH. Refer to [EI-40, "Removal and Installation"](#).

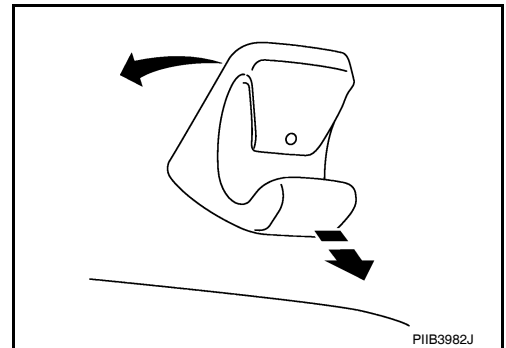
WARNING:

Do not reuse center pillar upper garnish if removed.

9. Release the clips using a suitable tool, then remove the front and rear assist grips.



10. Remove the sunvisor caps and screws, then remove sunvisor RH/LH.
11. Remove sunvisor holders RH/LH by rotating 45 degrees, then pulling outward.

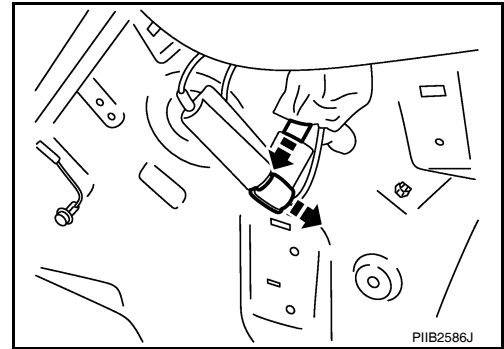


12. Release the metal clips, then remove the roof console/map lamp assembly (if equipped).
13. Release remaining headlining clips.

HEADLINING

< ON-VEHICLE REPAIR >

14. Disconnect antenna feeder cable near rear pillar finisher LH.



15. Disengage the dual lock fastener on the backside of headlining.
• Insert a suitable tool into the edge of dual lock fastener, then move the tool side to side horizontally to release it.

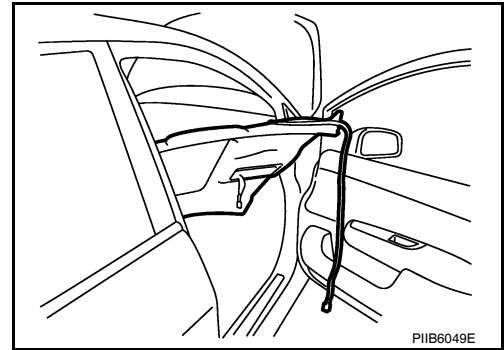
CAUTION:

Excessive up and down force may cause roof panel damage.

16. Position the headlining so the front edge goes through the opening of the right side front door.
17. Position the headlining so the rear edge goes through the opening of the left rear door, then remove headlining.

CAUTION:

- 2 technicians should be used to avoid damage when removing or replacing headlining.
- During headlining removal and installation, cover the center console finisher upper surface to prevent damage.
- Set A/T or CVT shift lever to the D position, and make a space to remove front end of headlining right side.
- Do not bend headlining when removing.



INSTALLATION

Installation is in the reverse order of removal.

CAUTION:

Avoid headlining damage when installing by inserting rear clips first during assembly.

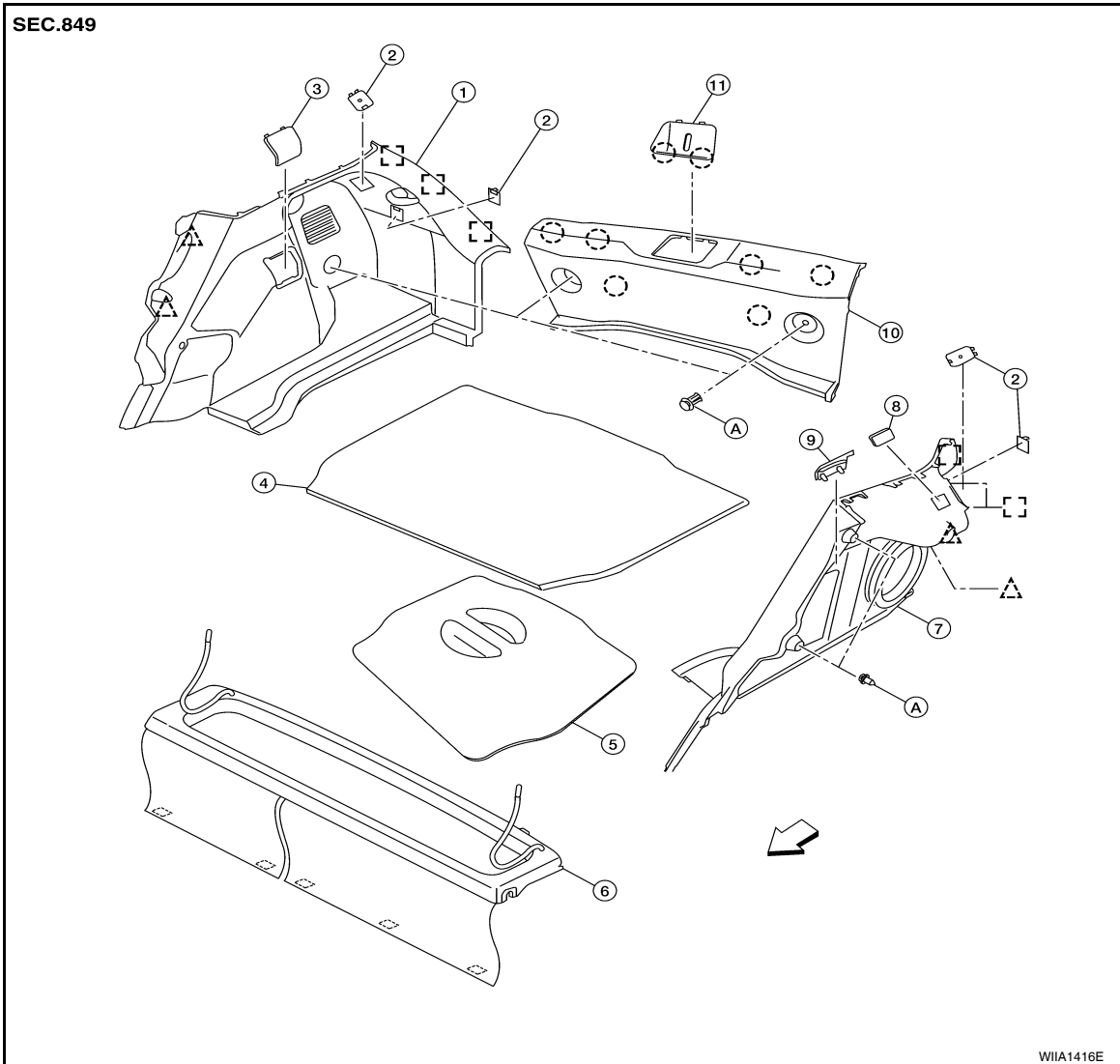
LUGGAGE FLOOR TRIM

< ON-VEHICLE REPAIR >

LUGGAGE FLOOR TRIM

Removal and Installation

INFOID:000000004307238



- | | | |
|-----------------------------------|-------------------------|----------------------------|
| 1. Luggage side lower finisher RH | 2. Access cover | 3. Shock absorber cover RH |
| 4. Luggage floor center board | 5. Luggage floor spacer | 6. Tonneau board |
| 7. Luggage side lower finisher LH | 8. Cargo lamp | 9. Shock absorber cover LH |
| 10. Luggage rear plate | 11. Striker cover plate | ▣ Pawl |
| ▣ Metal clip | ▣ Clip C101 | ⇐ Vehicle front |

REMOVAL

CAUTION:

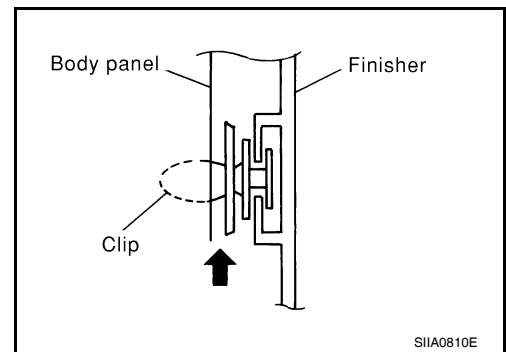
A
B
C
D
E
F
G
H
EI
J
K
L
M
N
O
P

LUGGAGE FLOOR TRIM

< ON-VEHICLE REPAIR >

- Insert a trim stick or suitable tool between panel on vehicle and clips (as indicated with arrow) to release clips.
- Use a trim stick or suitable tool when removing metal clips from garnishes.
- Be careful not to damage the body while prying to release clips.
- Make sure clips are properly aligned in panel holes on body when installing, then press them in completely.

1. Disconnect the negative battery terminal.
2. Open the rear doors and the back door.
3. Remove the rear seat cushion and seatback and seatback side RH/LH. Refer to [SE-15](#).
4. Lift and remove the luggage floor center board and luggage floor spacer.
5. Detach the tethers, then pull upward to remove the tonneau board.
6. Release the clips, then remove the striker cover and luggage rear plate.
7. Release the clips, then remove the luggage side lower finisher RH/LH.
 - For LH side, disconnect cargo lamp connector.



INSTALLATION

Installation is in the reverse order of removal.

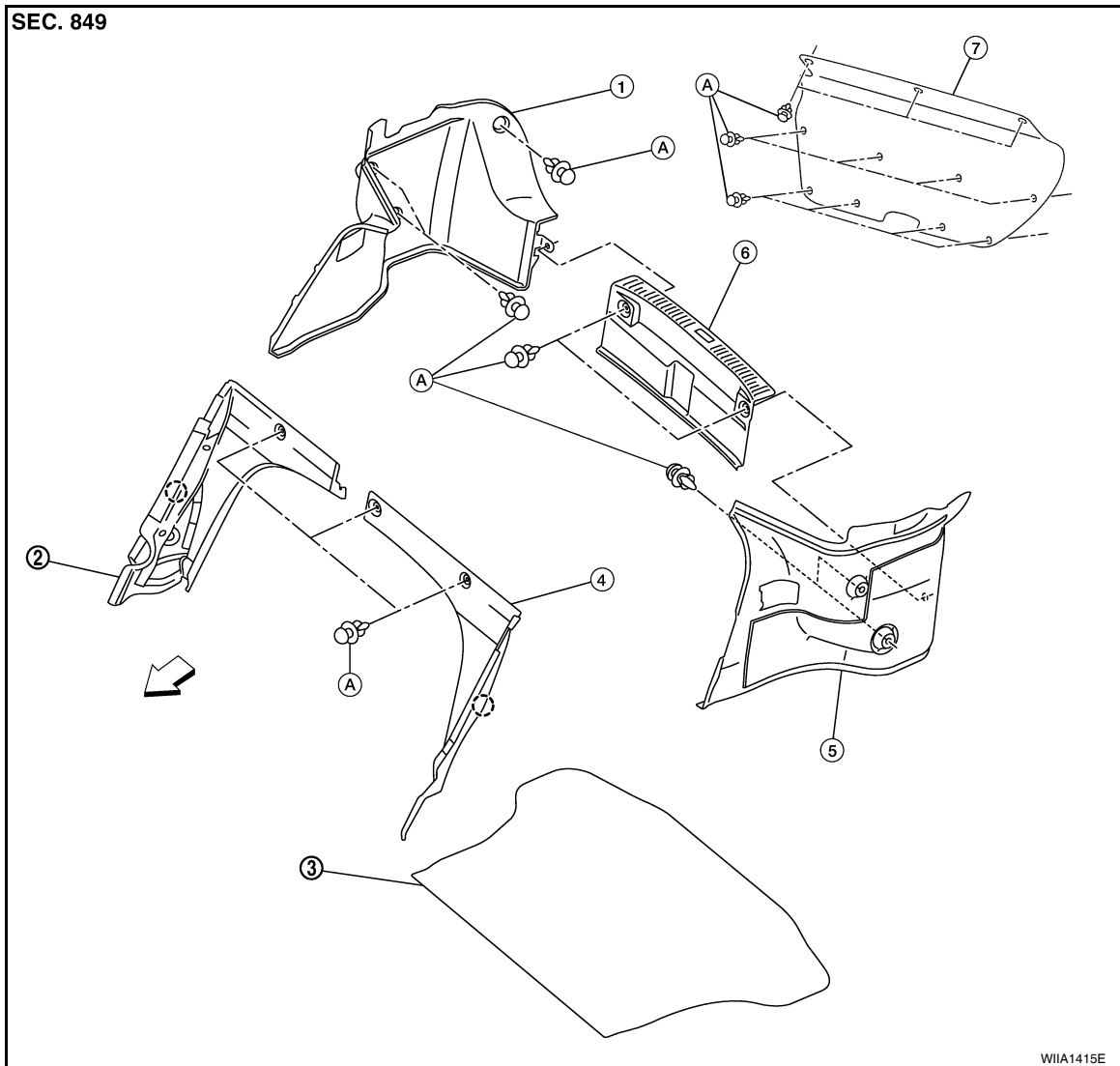
TRUNK ROOM TRIM & TRUNK LID FINISHER

< ON-VEHICLE REPAIR >

TRUNK ROOM TRIM & TRUNK LID FINISHER

Removal and Installation

INFOID:000000004307239



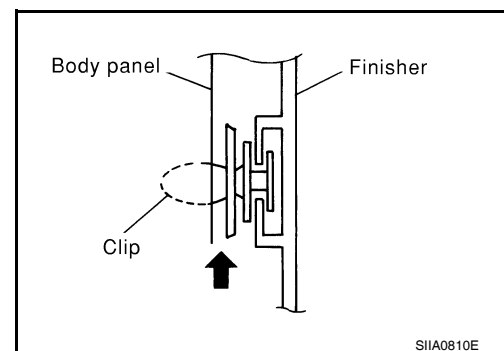
- | | | |
|--|--|-----------------------|
| 1. Trunk side finisher RH | 2. Seat back finisher RH (if equipped) | 3. Trunk floor carpet |
| 4. Seat back finisher LH (if equipped) | 5. Trunk side finisher LH | 6. Trunk rear plate |
| 7. Trunk lid finisher inner | A. Clip C205 | ← Vehicle front |

REMOVAL

CAUTION:

- Insert a trim stick or suitable tool between panel on vehicle and clips (as indicated with arrow) to release clips.
- Be careful not to damage the body while prying to release clips.
- Make sure clips are properly aligned in panel holes on body when installing, then press them in completely.

1. Open trunk lid.
2. Position the rear seat cushion to the forward most position, then remove the rear seatback and seatback side RH/LH. Refer to [SE-15](#).
3. Release the clips, then remove the seatback finisher RH/LH.
4. Lift and remove the trunk floor carpet.



TRUNK ROOM TRIM & TRUNK LID FINISHER

< ON-VEHICLE REPAIR >

5. Release the clips, then remove the trunk rear plate.
6. Release the clips, then remove the trunk side finisher RH/LH.
7. Release the clips and remove the trunk lid finisher inner from the trunk lid.

INSTALLATION

Installation is in the reverse order of removal.