

SECTION **GW**

GLASSES, WINDOW SYSTEM & MIRRORS

CONTENTS

SERVICE INFORMATION	3	Terminal and Reference Value for BCM	28	F
PRECAUTIONS	3	Work Flow	28	
Precaution for Supplemental Restraint System (SRS) "AIR BAG" and "SEAT BELT PRE-TENSIONER"	3	CONSULT Function (BCM)	28	G
Precaution Necessary for Steering Wheel Rotation After Battery Disconnect	3	Power Window Auto Operation Initialization	29	
Precaution for Procedure without Cowl Top Cover.....	4	Trouble Diagnosis Symptom Chart	29	
Handling for Adhesive and Primer	4	BCM Power Supply and Ground Circuit Inspection	30	H
Precaution for Work	4	Main Power Window and Door Lock/Unlock Switch Power Supply and Ground Circuit Inspection	30	
PREPARATION	5	Front Power Window Motor LH Circuit Inspection.....	31	GW
Special Service Tools	5	Front Power Window RH Circuit Inspection (Power Window and Door Lock/Unlock Switch RH Operation)	32	J
Commercial Service Tool	5	Front Power Window Motor RH Circuit Inspection.....	33	
SQUEAK AND RATTLE TROUBLE DIAGNOSES	6	Encoder Circuit Inspection	34	K
Work Flow	6	Door Switch Check	36	
Generic Squeak and Rattle Troubleshooting	8	Rear Power Window LH Circuit Inspection (Rear Power Window Switch LH Operation)	37	L
Diagnostic Worksheet	10	Rear Power Window RH Circuit Inspection (Rear Power Window Switch RH Operation)	38	
WINDSHIELD GLASS	12	Rear Power Window Motor LH Circuit Inspection.....	38	M
Removal and Installation	12	Rear Power Window Motor RH Circuit Inspection.....	40	
OPERA WINDOW GLASS	14	FRONT DOOR GLASS AND REGULATOR	42	N
Removal and Installation	14	Removal and Installation	42	
REAR WINDOW GLASS AND MOLDING	16	Disassembly and Assembly	44	O
Removal and Installation	16	Inspection after Installation	44	
POWER WINDOW SYSTEM	18	REAR DOOR GLASS AND REGULATOR	46	P
Component Parts and Harness Connector Location	18	Removal and Installation	46	
System Description	18	Disassembly and Assembly	48	
CAN Communication System Description	21	Inspection after Installation	48	
Schematic	22	REAR WINDOW DEFOGGER	49	
Wiring Diagram - WINDOW-	23	Component Parts and Harness Connector Location	49	
Main Power Window and Door Lock/Unlock Switch Harness Connector Terminal Layout	27	System Description	49	
Terminal and Reference Value for Main Power Window and Door Lock/Unlock Switch	27	CAN Communication System Description	50	
		Wiring Diagram - DEF -	51	
		Terminal and Reference Value for BCM	53	

Terminal and Reference Value for IPDM E/R	53	Filament Repair	60
Work Flow	53	DOOR MIRROR	62
CONSULT Function (BCM)	53	Wiring Diagram - MIRROR -	62
Trouble Diagnosis Symptom Chart	53	Removal and Installation	63
BCM Power Supply and Ground Circuit Inspection		Disassembly and Assembly	63
... ..	54	INSIDE MIRROR	65
Rear Window Defogger Switch Circuit Inspection..	54	Wiring Diagram - I/MIRR -	65
Rear Window Defogger Circuit Inspection	55	Removal and Installation	65
Door Mirror Defogger Circuit Inspection	57		
Filament Check	59		

PRECAUTIONS

< SERVICE INFORMATION >

SERVICE INFORMATION

PRECAUTIONS

Precaution for Supplemental Restraint System (SRS) "AIR BAG" and "SEAT BELT PRE-TENSIONER"

INFOID:000000007330151

The Supplemental Restraint System such as "AIR BAG" and "SEAT BELT PRE-TENSIONER", used along with a front seat belt, helps to reduce the risk or severity of injury to the driver and front passenger for certain types of collision. This system includes seat belt switch inputs and dual stage front air bag modules. The SRS system uses the seat belt switches to determine the front air bag deployment, and may only deploy one front air bag, depending on the severity of a collision and whether the front occupants are belted or unbelted. Information necessary to service the system safely is included in the SRS and SB section of this Service Manual.

WARNING:

- To avoid rendering the SRS inoperative, which could increase the risk of personal injury or death in the event of a collision which would result in air bag inflation, all maintenance must be performed by an authorized NISSAN/INFINITI dealer.
- Improper maintenance, including incorrect removal and installation of the SRS can lead to personal injury caused by unintentional activation of the system. For removal of Spiral Cable and Air Bag Module, see the SRS section.
- Do not use electrical test equipment on any circuit related to the SRS unless instructed to in this Service Manual. SRS wiring harnesses can be identified by yellow and/or orange harnesses or harness connectors.

PRECAUTIONS WHEN USING POWER TOOLS (AIR OR ELECTRIC) AND HAMMERS

WARNING:

- When working near the Airbag Diagnosis Sensor Unit or other Airbag System sensors with the Ignition ON or engine running, DO NOT use air or electric power tools or strike near the sensor(s) with a hammer. Heavy vibration could activate the sensor(s) and deploy the air bag(s), possibly causing serious injury.
- When using air or electric power tools or hammers, always switch the Ignition OFF, disconnect the battery, and wait at least 3 minutes before performing any service.

Precaution Necessary for Steering Wheel Rotation After Battery Disconnect

INFOID:000000007330152

NOTE:

- This Procedure is applied only to models with Intelligent Key system and NATS (NISSAN ANTI-THEFT SYSTEM).
- Remove and install all control units after disconnecting both battery cables with the ignition knob in the "LOCK" position.
- Always use CONSULT to perform self-diagnosis as a part of each function inspection after finishing work. If DTC is detected, perform trouble diagnosis according to self-diagnostic results.

For models equipped with the Intelligent Key system and NATS, an electrically controlled steering lock mechanism is adopted on the key cylinder.

For this reason, if the battery is disconnected or if the battery is discharged, the steering wheel will lock and steering wheel rotation will become impossible.

If steering wheel rotation is required when battery power is interrupted, follow the procedure below before starting the repair operation.

OPERATION PROCEDURE

1. Connect both battery cables.

NOTE:

Supply power using jumper cables if battery is discharged.

2. Use the Intelligent Key or mechanical key to turn the ignition switch to the "ACC" position. At this time, the steering lock will be released.
3. Disconnect both battery cables. The steering lock will remain released and the steering wheel can be rotated.
4. Perform the necessary repair operation.

PRECAUTIONS

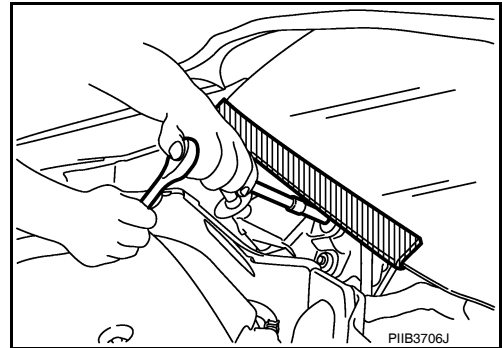
< SERVICE INFORMATION >

5. When the repair work is completed, return the ignition switch to the "LOCK" position before connecting the battery cables. (At this time, the steering lock mechanism will engage.)
6. Perform a self-diagnosis check of all control units using CONSULT.

Precaution for Procedure without Cowl Top Cover

INFOID:000000007330153

When performing the procedure after removing cowl top cover, cover the lower end of windshield.



Handling for Adhesive and Primer

INFOID:000000007330154

- Do not use an adhesive which is past its usable date. Shelf life of the adhesive is limited to six months after the date of manufacture. Carefully adhere to the expiration or manufacture date printed on the box.
- Keep primers and adhesive in a cool, dry place. Ideally, they should be stored in a refrigerator.
- Open the seal of the primer and adhesive just before application. Discard the remainder after application.
- Before application, be sure to shake the primer container to stir the contents. If any floating material is found, do not use it.
- If any primer or adhesive contacts the skin, wipe it off with gasoline or equivalent and wash the skin with soap.
- When using primer and adhesive, always observe the precautions in the instruction manual.

Precaution for Work

INFOID:000000007793369

- When removing or disassembling each component, be careful not to damage or deform it. If a component may be subject to interference, be sure to protect it with a shop cloth.
- When removing (disengaging) components with a screwdriver or similar tool, be sure to wrap the component with a shop cloth or vinyl tape to protect it.
- Protect the removed parts with a shop cloth and prevent them from being dropped.
- Replace a deformed or damaged clip.
- If a part is specified as a non-reusable part, always replace it with new one.
- Be sure to tighten bolts and nuts securely to the specified torque.
- After installation is complete, be sure to check that each part works properly.
- Follow the steps below to clean components.
 - Water soluble dirt: Dip a soft cloth into lukewarm water, and wring the water out of the cloth to wipe the dirty area.
Then rub with a soft and dry cloth.
 - Oily dirt: Dip a soft cloth into lukewarm water with mild detergent (concentration: within 2 to 3%), and wipe the dirty area.
Then dip a cloth into fresh water, and wring the water out of the cloth to wipe the detergent off. Then rub with a soft and dry cloth.
- Do not use organic solvent such as thinner, benzene, alcohol, or gasoline.
- For genuine leather seats, use a genuine leather seat cleaner.

PREPARATION

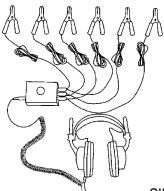
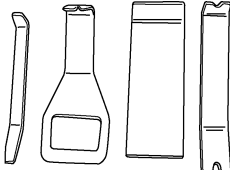

< SERVICE INFORMATION >

PREPARATION

Special Service Tools

INFOID:000000007330155

The actual shapes of Kent-Moore tools may differ from those of special service tools illustrated here.

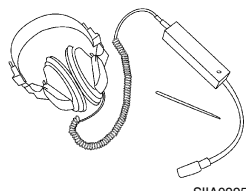
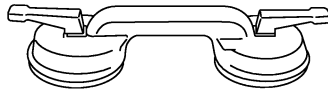
Tool number (Kent-Moore No.) Tool name	Description
(J-39570) Chassis ear  SIIA0993E	Locating the noise
— (J-46534) Trim Tool Set  AWJIA0483ZZ	Removing trim components
(J-43980) NISSAN Squeak and Rattle Kit  SIIA0994E	Repairing the cause of noise

A
B
C
D
E
F
G
H
J

GW

Commercial Service Tool

INFOID:000000007330156

Tool name	Description
Engine ear  SIIA0995E	Locating the noise
Suction lifter  PIIB1805J	Holding of door glass

K
L
M
N
O
P

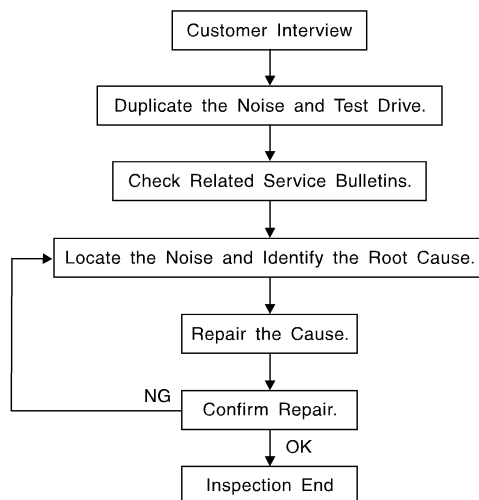
SQUEAK AND RATTLE TROUBLE DIAGNOSES

< SERVICE INFORMATION >

SQUEAK AND RATTLE TROUBLE DIAGNOSES

Work Flow

INFOID:000000007774119



SBT842

CUSTOMER INTERVIEW

Interview the customer if possible, to determine the conditions that exist when the noise occurs. Use the Diagnostic Worksheet during the interview to document the facts and conditions when the noise occurs and any customer's comments; refer to [GW-10, "Diagnostic Worksheet"](#). This information is necessary to duplicate the conditions that exist when the noise occurs.

- The customer may not be able to provide a detailed description or the location of the noise. Attempt to obtain all the facts and conditions that exist when the noise occurs (or does not occur).
- If there is more than one noise in the vehicle, be sure to diagnose and repair the noise that the customer is concerned about. This can be accomplished by test driving the vehicle with the customer.
- After identifying the type of noise, isolate the noise in terms of its characteristics. The noise characteristics are provided so the customer, service adviser and technician are all speaking the same language when defining the noise.
- Squeak —(Like tennis shoes on a clean floor)
Squeak characteristics include the light contact/fast movement/brought on by road conditions/hard surfaces = higher pitch noise/softer surfaces = lower pitch noises/edge to surface = chirping.
- Creak—(Like walking on an old wooden floor)
Creak characteristics include firm contact/slow movement/twisting with a rotational movement/pitch dependent on materials/often brought on by activity.
- Rattle—(Like shaking a baby rattle)
Rattle characteristics include the fast repeated contact/vibration or similar movement/loose parts/missing clip or fastener/incorrect clearance.
- Knock —(Like a knock on a door)
Knock characteristics include hollow sounding/sometimes repeating/often brought on by driver action.
- Tick—(Like a clock second hand)
Tick characteristics include gentle contacting of light materials/loose components/can be caused by driver action or road conditions.
- Thump—(Heavy, muffled knock noise)
Thump characteristics include softer knock/dead sound often brought on by activity.
- Buzz—(Like a bumble bee)
Buzz characteristics include high frequency rattle/firm contact.
- Often the degree of acceptable noise level will vary depending upon the person. A noise that you may judge as acceptable may be very irritating to the customer.
- Weather conditions, especially humidity and temperature, may have a great effect on noise level.

DUPLICATE THE NOISE AND TEST DRIVE

If possible, drive the vehicle with the customer until the noise is duplicated. Note any additional information on the Diagnostic Worksheet regarding the conditions or location of the noise. This information can be used to duplicate the same conditions when you confirm the repair.

SQUEAK AND RATTLE TROUBLE DIAGNOSES

< SERVICE INFORMATION >

If the noise can be duplicated easily during the test drive, to help identify the source of the noise, try to duplicate the noise with the vehicle stopped by doing one or all of the following:

- 1) Close a door.
 - 2) Tap or push/pull around the area where the noise appears to be coming from.
 - 3) Rev the engine.
 - 4) Use a floor jack to recreate vehicle "twist".
 - 5) At idle, apply engine load (electrical load, half-clutch on M/T model, drive position on CVT and A/T models).
 - 6) Raise the vehicle on a hoist and hit a tire with a rubber hammer.
- Drive the vehicle and attempt to duplicate the conditions the customer states exist when the noise occurs.
 - If it is difficult to duplicate the noise, drive the vehicle slowly on an undulating or rough road to stress the vehicle body.

CHECK RELATED SERVICE BULLETINS

After verifying the customer concern or symptom, check ASIST for Technical Service Bulletins (TSBs) related to that concern or symptom.

If a TSB relates to the symptom, follow the procedure to repair the noise.

LOCATE THE NOISE AND IDENTIFY THE ROOT CAUSE

1. Narrow down the noise to a general area. To help pinpoint the source of the noise, use a listening tool (Chassis Ear: J-39570, Engine Ear: J-39565 and mechanic's stethoscope).
2. Narrow down the noise to a more specific area and identify the cause of the noise by:
 - removing the components in the area that you suspect the noise is coming from.
Do not use too much force when removing clips and fasteners, otherwise clips and fasteners can be broken or lost during the repair, resulting in the creation of new noise.
 - tapping or pushing/pulling the component that you suspect is causing the noise.
Do not tap or push/pull the component with excessive force, otherwise the noise will be eliminated only temporarily.
 - feeling for a vibration with your hand by touching the component(s) that you suspect is (are) causing the noise.
 - placing a piece of paper between components that you suspect are causing the noise.
 - looking for loose components and contact marks.Refer to [GW-8, "Generic Squeak and Rattle Troubleshooting"](#).

REPAIR THE CAUSE

- If the cause is a loose component, tighten the component securely.
- If the cause is insufficient clearance between components:
 - separate components by repositioning or loosening and retightening the component, if possible.
 - insulate components with a suitable insulator such as urethane pads, foam blocks, felt cloth tape or urethane tape. A NISSAN Squeak and Rattle Kit (J-43980) is available through your authorized NISSAN Parts Department.

CAUTION:

Do not use excessive force as many components are constructed of plastic and may be damaged.

Always check with the Parts Department for the latest parts information.

The following materials are contained in the NISSAN Squeak and Rattle Kit (J-43980). Each item can be ordered separately as needed.

URETHANE PADS [1.5 mm (0.059 in) thick]

Insulates connectors, harness, etc.

76268-9E005: 100×135 mm (3.94×5.31 in)/76884-71L01: 60×85 mm (2.36×3.35 in)/76884-71L02: 15×25 mm (0.59×0.98 in)

INSULATOR (Foam blocks)

Insulates components from contact. Can be used to fill space behind a panel.

73982-9E000: 45 mm (1.77 in) thick, 50×50 mm (1.97×1.97 in)/73982-50Y00: 10 mm (0.39 in) thick, 50×50 mm (1.97×1.97 in)

INSULATOR (Light foam block)

80845-71L00: 30 mm (1.18 in) thick, 30×50 mm (1.18×1.97 in)

FELT CLOTH TAPE

Used to insulate where movement does not occur. Ideal for instrument panel applications.

68370-4B000: 15×25 mm (0.59×0.98 in) pad/68239-13E00: 5 mm (0.20 in) wide tape roll. The following materials not found in the kit can also be used to repair squeaks and rattles.

UHMW (TEFLON) TAPE

Insulates where slight movement is present. Ideal for instrument panel applications.

SILICONE GREASE

SQUEAK AND RATTLE TROUBLE DIAGNOSES

< SERVICE INFORMATION >

Used instead of UHMW tape that will be visible or not fit.

Note: Will only last a few months.

SILICONE SPRAY

Use when grease cannot be applied.

DUCT TAPE

Use to eliminate movement.

CONFIRM THE REPAIR

Confirm that the cause of a noise is repaired by test driving the vehicle. Operate the vehicle under the same conditions as when the noise originally occurred. Refer to the notes on the Diagnostic Worksheet.

Generic Squeak and Rattle Troubleshooting

INFOID:000000007774120

Refer to Table of Contents for specific component removal and installation information.

INSTRUMENT PANEL

Most incidents are caused by contact and movement between:

1. The cluster lid A and instrument panel
2. Acrylic lens and combination meter housing
3. Instrument panel to front pillar garnish
4. Instrument panel to windshield
5. Instrument panel pins
6. Wiring harnesses behind the combination meter
7. A/C defroster duct and duct joint

These incidents can usually be located by tapping or moving the components to duplicate the noise or by pressing on the components while driving to stop the noise. Most of these incidents can be repaired by applying felt cloth tape or silicone spray (in hard to reach areas). Urethane pads can be used to insulate wiring harness.

CAUTION:

Do not use silicone spray to isolate a squeak or rattle. If you saturate the area with silicone, you will not be able to recheck the repair.

CENTER CONSOLE

Components to pay attention to include:

1. Shift selector assembly cover to finisher
2. A/C control unit and cluster lid C
3. Wiring harnesses behind audio and A/C control unit

The instrument panel repair and isolation procedures also apply to the center console.

DOORS

Pay attention to the:

1. Finisher and inner panel making a slapping noise
2. Inside handle escutcheon to door finisher
3. Wiring harnesses tapping
4. Door striker out of alignment causing a popping noise on starts and stops

Tapping or moving the components or pressing on them while driving to duplicate the conditions can isolate many of these incidents. You can usually insulate the areas with felt cloth tape or insulator foam blocks from the NISSAN Squeak and Rattle Kit (J-43980) to repair the noise.

TRUNK

Trunk noises are often caused by a loose jack or loose items put into the trunk by the owner.

In addition look for:

1. Trunk lid bumpers out of adjustment
2. Trunk lid striker out of adjustment
3. The trunk lid torsion bars knocking together
4. A loose license plate or bracket

SQUEAK AND RATTLE TROUBLE DIAGNOSES

< SERVICE INFORMATION >

Most of these incidents can be repaired by adjusting, securing or insulating the item(s) or component(s) causing the noise.

SUNROOF/HEADLINING

Noises in the sunroof/headlining area can often be traced to one of the following:

1. Sunroof lid, rail, linkage or seals making a rattle or light knocking noise
2. Sun visor shaft shaking in the holder
3. Front or rear windshield touching headliner and squeaking

Again, pressing on the components to stop the noise while duplicating the conditions can isolate most of these incidents. Repairs usually consist of insulating with felt cloth tape.

OVERHEAD CONSOLE (FRONT AND REAR)

Overhead console noises are often caused by the console panel clips not being engaged correctly. Most of these incidents are repaired by pushing up on the console at the clip locations until the clips engage.

In addition look for:

1. Loose harness or harness connectors.
2. Front console map/reading lamp lens loose.
3. Loose screws at console attachment points.

SEATS

When isolating seat noise it's important to note the position the seat is in and the load placed on the seat when the noise is present. These conditions should be duplicated when verifying and isolating the cause of the noise.

Cause of seat noise include:

1. Headrest rods and holder
2. A squeak between the seat pad cushion and frame
3. The rear seatback lock and bracket

These noises can be isolated by moving or pressing on the suspected components while duplicating the conditions under which the noise occurs. Most of these incidents can be repaired by repositioning the component or applying urethane tape to the contact area.

UNDERHOOD

Some interior noise may be caused by components under the hood or on the engine wall. The noise is then transmitted into the passenger compartment.

Causes of transmitted underhood noise include:

1. Any component installed to the engine wall
2. Components that pass through the engine wall
3. Engine wall mounts and connectors
4. Loose radiator installation pins
5. Hood bumpers out of adjustment
6. Hood striker out of adjustment

These noises can be difficult to isolate since they cannot be reached from the interior of the vehicle. The best method is to secure, move or insulate one component at a time and test drive the vehicle. Also, engine rpm or load can be changed to isolate the noise. Repairs can usually be made by moving, adjusting, securing, or insulating the component causing the noise.

A
B
C
D
E
F
G
H
J
K
L
M
N
O
P

GW

SQUEAK AND RATTLE TROUBLE DIAGNOSES

< SERVICE INFORMATION >

Diagnostic Worksheet

INFOID:000000007774122

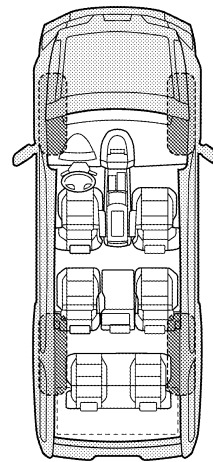
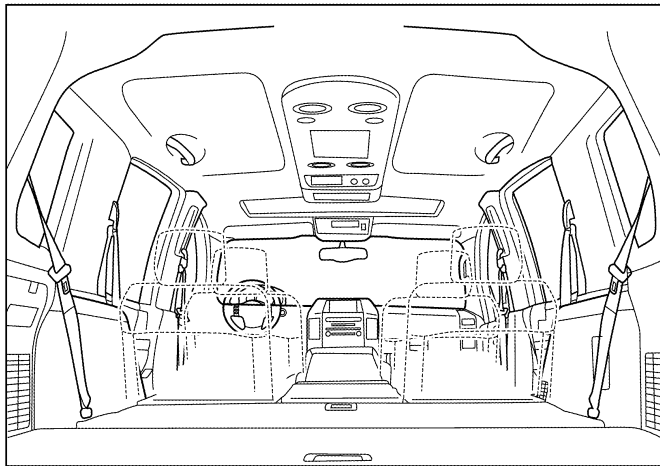
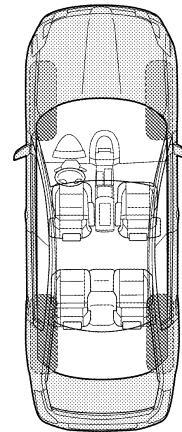
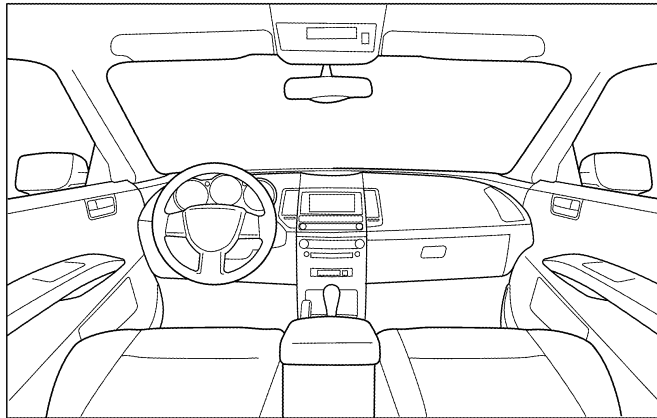
Dear Customer:

We are concerned about your satisfaction with your vehicle. Repairing a squeak or rattle sometimes can be very difficult. To help us fix your vehicle right the first time, please take a moment to note the area of the vehicle where the squeak or rattle occurs and under what conditions. You may be asked to take a test drive with a service advisor or technician to ensure we confirm the noise you are hearing.

SQUEAK & RATTLE DIAGNOSTIC WORKSHEET

I. WHERE DOES THE NOISE COME FROM? (circle the area of the vehicle)

The illustrations are for reference only, and may not reflect the actual configuration of your vehicle.



Continue to page 2 of the worksheet and briefly describe the location of the noise or rattle. In addition, please indicate the conditions which are present when the noise occurs.

SQUEAK AND RATTLE TROUBLE DIAGNOSES

< SERVICE INFORMATION >

SQUEAK & RATTLE DIAGNOSTIC WORKSHEET - page 2

Briefly describe the location where the noise occurs:

II. WHEN DOES IT OCCUR? (please check the boxes that apply)

- | | |
|---|--|
| <input type="checkbox"/> Anytime | <input type="checkbox"/> After sitting out in the rain |
| <input type="checkbox"/> 1st time in the morning | <input type="checkbox"/> When it is raining or wet |
| <input type="checkbox"/> Only when it is cold outside | <input type="checkbox"/> Dry or dusty conditions |
| <input type="checkbox"/> Only when it is hot outside | <input type="checkbox"/> Other: |

III. WHEN DRIVING:

- Through driveways
- Over rough roads
- Over speed bumps
- Only about ____ mph
- On acceleration
- Coming to a stop
- On turns: left, right or either (circle)
- With passengers or cargo
- Other: _____
- After driving ____ miles or ____ minutes

IV. WHAT TYPE OF NOISE

- Squeak (like tennis shoes on a clean floor)
- Creak (like walking on an old wooden floor)
- Rattle (like shaking a baby rattle)
- Knock (like a knock at the door)
- Tick (like a clock second hand)
- Thump (heavy muffled knock noise)
- Buzz (like a bumble bee)

TO BE COMPLETED BY DEALERSHIP PERSONNEL

Test Drive Notes:

	YES	NO	Initials of person performing
Vehicle test driven with customer	<input type="checkbox"/>	<input type="checkbox"/>	_____
- Noise verified on test drive	<input type="checkbox"/>	<input type="checkbox"/>	_____
- Noise source located and repaired	<input type="checkbox"/>	<input type="checkbox"/>	_____
- Follow up test drive performed to confirm repair	<input type="checkbox"/>	<input type="checkbox"/>	_____

VIN: _____ Customer Name _____

W.O.# _____ Date: _____

This form must be attached to Work Order

LAIA0071E

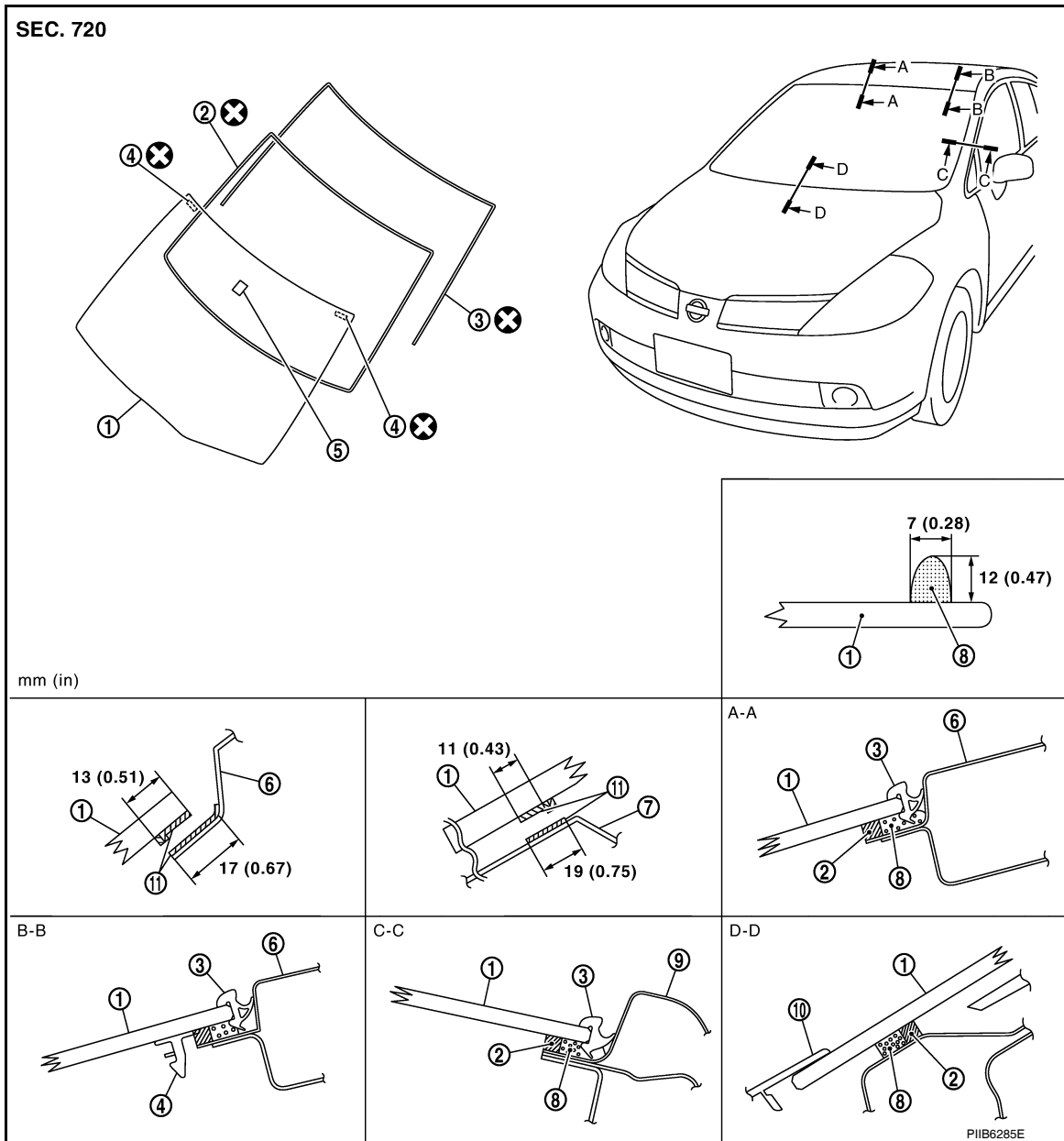
WINDSHIELD GLASS

< SERVICE INFORMATION >

WINDSHIELD GLASS

Removal and Installation

INFOID:000000007330160



- | | | |
|------------------------------|----------------|-----------------------------|
| 1. Windshield glass assembly | 2. Dam sealant | 3. Windshield molding |
| 4. Spacer | 5. Mirror base | 6. Roof panel outer |
| 7. Cowl top front | 8. Adhesive | 9. Front pillar outer panel |
| 10. Cowl top cover | 11. Primer | |

REMOVAL

- Partially remove the headlining (front edge). Refer to [EI-41](#).
- Remove the front wiper arms. Refer to [WW-20, "Removal and Installation of Front Wiper Arms"](#).
- Remove the cowl top cover. Refer to [EI-22](#).

4. Apply protective tape around the windshield glass to protect the painted surface from damage.

After removing windshield upper molding, remove glass using piano wire or power cutting tool (A) and an inflatable pump bag (B).

- If a windshield glass is to be reused, mark the body and the glass with mating marks.

WARNING:

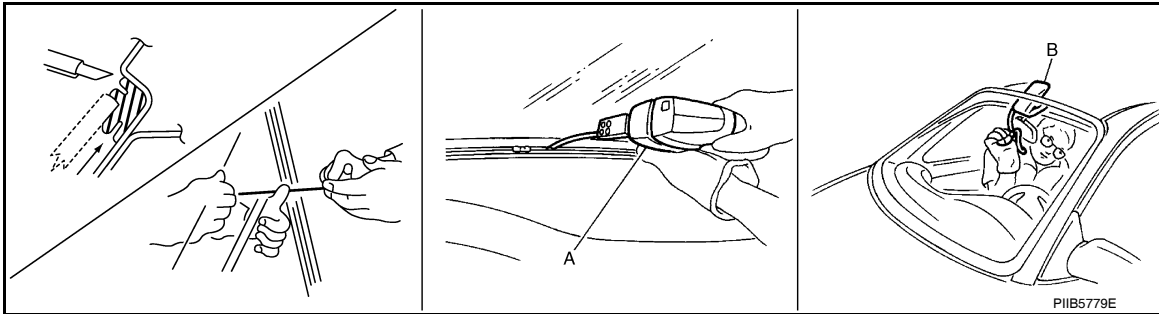
WINDSHIELD GLASS

< SERVICE INFORMATION >

When cutting the glass from the vehicle, always wear safety glasses and heavy gloves to help prevent glass splinters from entering your eyes or cutting your hands.

CAUTION:

- When a windshield glass is to be reused, do not use a cutting knife or power cutting tool.
- Be careful not to scratch the glass when removing.
- Do not set or stand the glass on its edge. Small chips may develop into cracks.



INSTALLATION

- Use a genuine NISSAN Urethane Adhesive Kit (if available) or equivalent and follow the instructions furnished with it.
- While the urethane adhesive is curing, open a door window. This will prevent the glass from being forced out by passenger room air pressure when a door is closed.
- The molding must be installed securely so that it is in position and leaves no gap.
- Inform the customer that the vehicle should remain stationary until the urethane adhesive has completely cured (preferably 24 hours). Curing time varies with temperature and humidity.

WARNING:

- Keep heat and open flames away as primers and adhesive are flammable.
- The materials contained in the kit are harmful if swallowed, and may irritate skin and eyes. Avoid contact with the skin and eyes.
- Use in an open, well ventilated location. Avoid breathing the vapors. They can be harmful if inhaled. If affected by vapor inhalation, immediately move to an area with fresh air.
- Driving the vehicle before the urethane adhesive has completely cured may affect the performance of the windshield in case of an accident.

CAUTION:

- Do not use an adhesive which is past its usable term. Shelf life of the adhesive is limited to six months after the date of manufacture. Carefully adhere to the expiration or manufacture date printed on the box.
- Keep primers and adhesive in a cool, dry place. Ideally, they should be stored in a refrigerator.
- Do not leave primers or adhesive cartridge unattended with their caps open or off.
- The vehicle should not be driven for at least 24 hours or until the urethane adhesive has completely cured. Curing time varies depending on temperature and humidities. The curing time will increase under lower temperatures and lower humidities.

Repairing Water Leaks

Leaks can be repaired without removing and reinstalling glass.

If water is leaking between the urethane adhesive material and body or glass, determine the extent of leakage.

This can be done by applying water to the windshield area while pushing glass outward.

To stop the leak, apply primer (if necessary) and then urethane adhesive to the leak point.

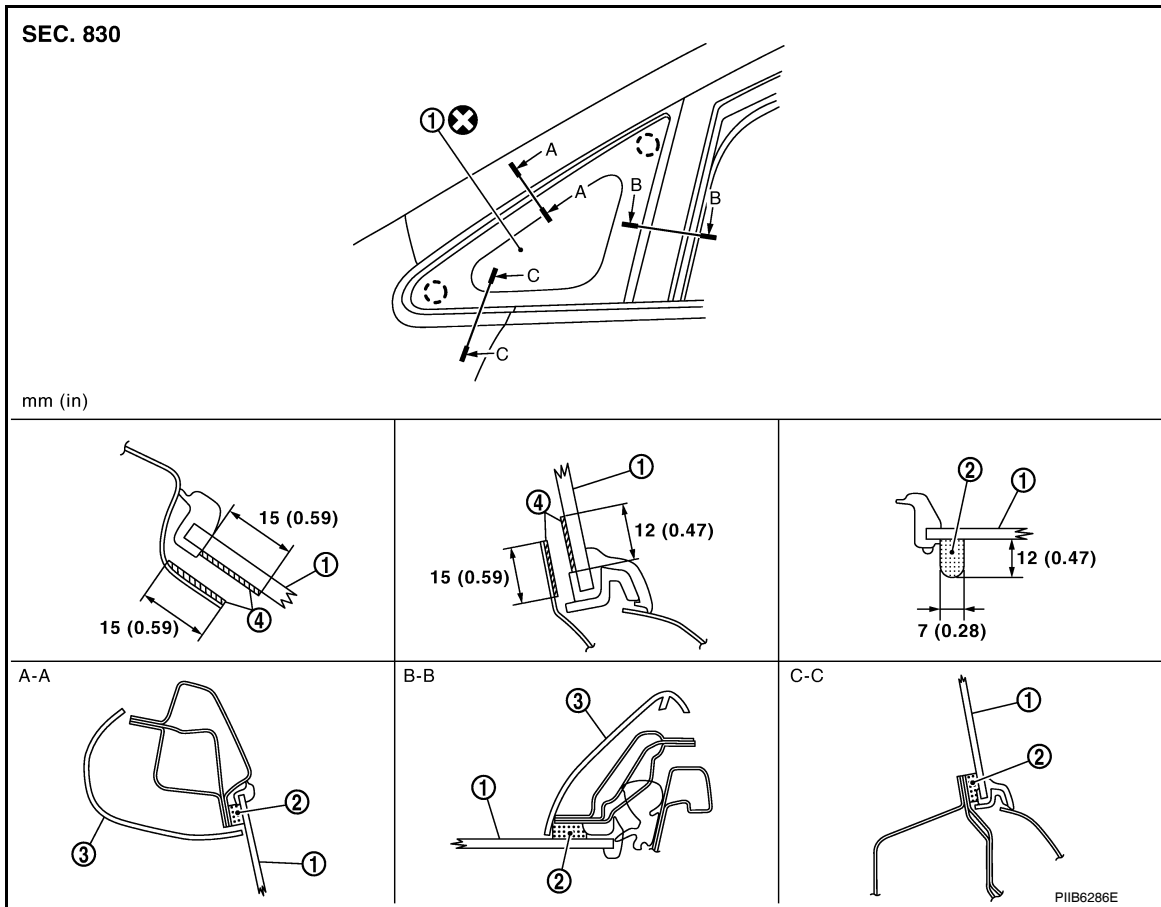
OPERA WINDOW GLASS

< SERVICE INFORMATION >

OPERA WINDOW GLASS

Removal and Installation

INFOID:000000007330161



REMOVAL

1. Remove the front pillar finisher. Refer to [EI-35, "Removal and Installation"](#).
2. Remove the instrument side panel. Refer to [IP-11](#).
3. Apply protective tape around the opera window glass to protect the painted surface from damage.
 - If a opera window glass is to be reused, mark the body and the glass with mating marks.
4. Remove the opera window glass using piano wire or power cutting tool and inflatable pump bag.

WARNING:

When cutting the glass from the vehicle, always wear safety glasses and heavy gloves to help prevent glass splinters from entering your eyes or cutting your hands.

CAUTION:

- When a opera window glass is to be reused, do not use a cutting knife or power cutting tool.
- Be careful not to scratch the glass when removing.
- Do not set or stand the glass on its edge. Small chips may develop into cracks.
- Clips are molded to the side window glass. Replace the clips with new ones if they are damaged when removing the side window glass.

INSTALLATION

- Use a genuine NISSAN Urethane Adhesive Kit (if available) or equivalent and follow the instructions furnished with it.
- While the urethane adhesive is curing, open a door window. This will prevent the glass from being forced out by passenger room air pressure when a door is closed.
- The opera window glass must be installed securely so that the molding around glass is in position and leaves no gap.

OPERA WINDOW GLASS

< SERVICE INFORMATION >

- Inform the customer that the vehicle should remain stationary until the urethane adhesive has completely cured (preferably 24 hours). Curing time varies with temperature and humidity.

WARNING:

- **Keep heat and open flames away as primers and adhesive are flammable.**
- **The materials contained in the kit are harmful if swallowed, and may irritate skin and eyes. Avoid contact with the skin and eyes.**
- **Use in an open, well ventilated location. Avoid breathing the vapors. They can be harmful if inhaled. If affected by vapor inhalation, immediately move to an area with fresh air.**
- **Driving the vehicle before the urethane adhesive has completely cured may affect the performance of the side window in case of an accident.**

CAUTION:

- **Do not use an adhesive which is past its usable term. Shelf life of the adhesive is limited to six months after the date of manufacture. Carefully adhere to the expiration or manufacture date printed on the box.**
- **Keep primers and adhesive in a cool, dry place. Ideally, they should be stored in a refrigerator.**
- **Do not leave primers or adhesive cartridge unattended with their caps open or off.**
- **The vehicle should not be driven for at least 24 hours or until the urethane adhesive has completely cured. Curing time varies depending on temperature and humidities. The curing time will increase under lower temperature and lower humidity.**

Repairing Water Leaks

Leaks can be repaired without removing and reinstalling glass.

If water is leaking between the urethane adhesive material and body or glass, determine the extent of leakage.

This can be done by applying water to the side window area while pushing glass outward.

To stop the leak, apply primer (if necessary) and then urethane adhesive to the leak point.

A

B

C

D

E

F

G

H

GW

J

K

L

M

N

O

P

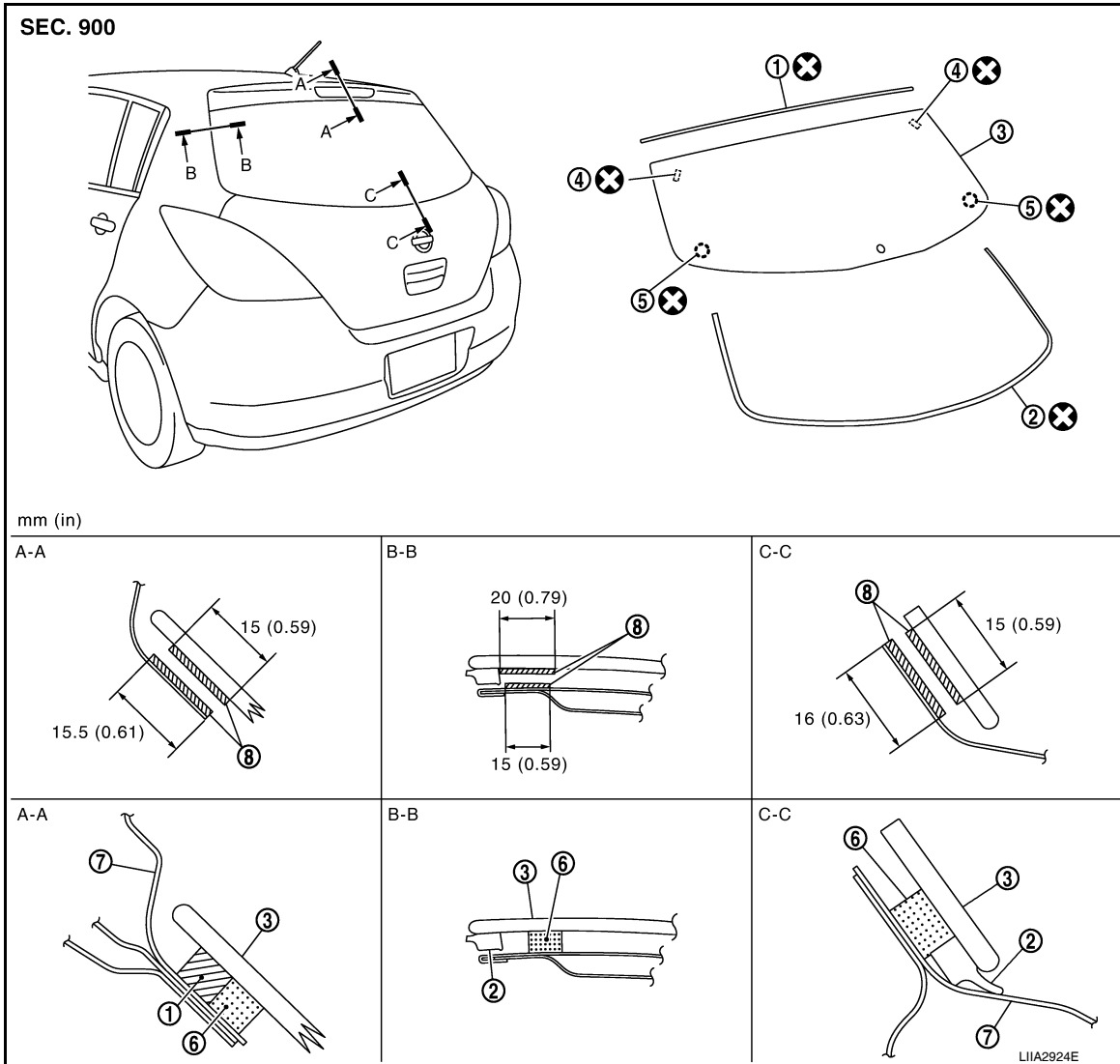
REAR WINDOW GLASS AND MOLDING

< SERVICE INFORMATION >

REAR WINDOW GLASS AND MOLDING

Removal and Installation

INFOID:000000007330162



- | | | |
|--------------------------|-------------------------------------|---------------------------|
| 1. Rubber dam | 2. Back door window molding (Lower) | 3. Back door window glass |
| 4. Clip (Upper) | 5. Clip (Lower) | 6. Adhesive |
| 7. Back door outer panel | 8. Primer | |

REMOVAL

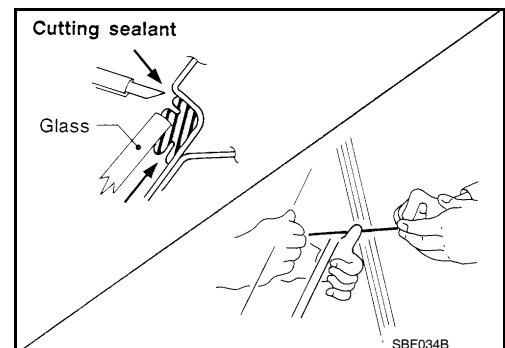
- Remove the rear wiper arm and motor. Refer to [WW-34. "Removal and Installation"](#).
- Remove the connectors and grounds for the rear window defogger.
- Remove glass using piano wire or power cutting tool and an inflatable pump bag.
 - If the rear window glass is to be reused, mark the body and the glass with mating marks

WARNING:

When cutting the glass from the vehicle, always wear safety glasses and heavy gloves to help prevent glass splinters from entering your eyes or cutting your hands.

CAUTION:

- When a windshield glass is to be reused, do not use a cutting knife or power cutting tool.



REAR WINDOW GLASS AND MOLDING

< SERVICE INFORMATION >

- **Be careful not to scratch the glass when removing.**
- **Do not set or stand the glass on its edge. Small chips may develop into cracks.**

A

INSTALLATION

Installation is in the reverse order of removal.

- Use a genuine NISSAN Urethane Adhesive Kit (if available) or equivalent and follow the instructions furnished with it.
- While the urethane adhesive is curing, open a door window. This will prevent the glass from being forced out by passenger compartment air pressure when a door is closed.
- The molding must be installed securely so that it is in position and leaves no gap.
- Check gap along bottom to confirm that glass does not contact sheet metal.
- Inform the customer that the vehicle should remain stationary until the urethane adhesive has completely cured (preferably 24 hours). Curing time varies with temperature and humidity.

B

C

D

WARNING:

- **Keep heat and open flames away as primers and adhesive are flammable.**
- **The materials contained in the kit are harmful if swallowed, and may irritate skin and eyes. Avoid contact with the skin and eyes.**
- **Use in an open, well ventilated location. Avoid breathing the vapors. They can be harmful if inhaled. If affected by vapor inhalation, immediately move to an area with fresh air.**
- **Driving the vehicle before the urethane adhesive has completely cured may affect the performance of the windshield in case of an accident.**

E

F

CAUTION:

- **Do not use an adhesive which is past its usable term. Shelf life of this product is limited to six months after the date of manufacture. Carefully adhere to the expiration or manufacture date printed on the box.**
- **Keep primers and adhesive in a cool, dry place. Ideally, they should be stored in a refrigerator.**
- **Do not leave primers or adhesive cartridge unattended with their caps open or off.**
- **The vehicle should not be driven for at least 24 hours or until the urethane adhesive has completely cured. Curing time varies depending on temperature and humidity. The curing time will increase under lower temperatures and lower humidities.**

G

H

GW

Repairing Water leaks for Rear Window Glass

Leaks can be repaired without removing or reinstalling glass.

If water is leaking between urethane adhesive material and body or glass, determine the extent of leakage.

This can be done by applying water to the rear window area while pushing glass outward.

To stop leak, apply primer (if necessary) and then urethane adhesive to the leak point.

J

K

L

M

N

O

P

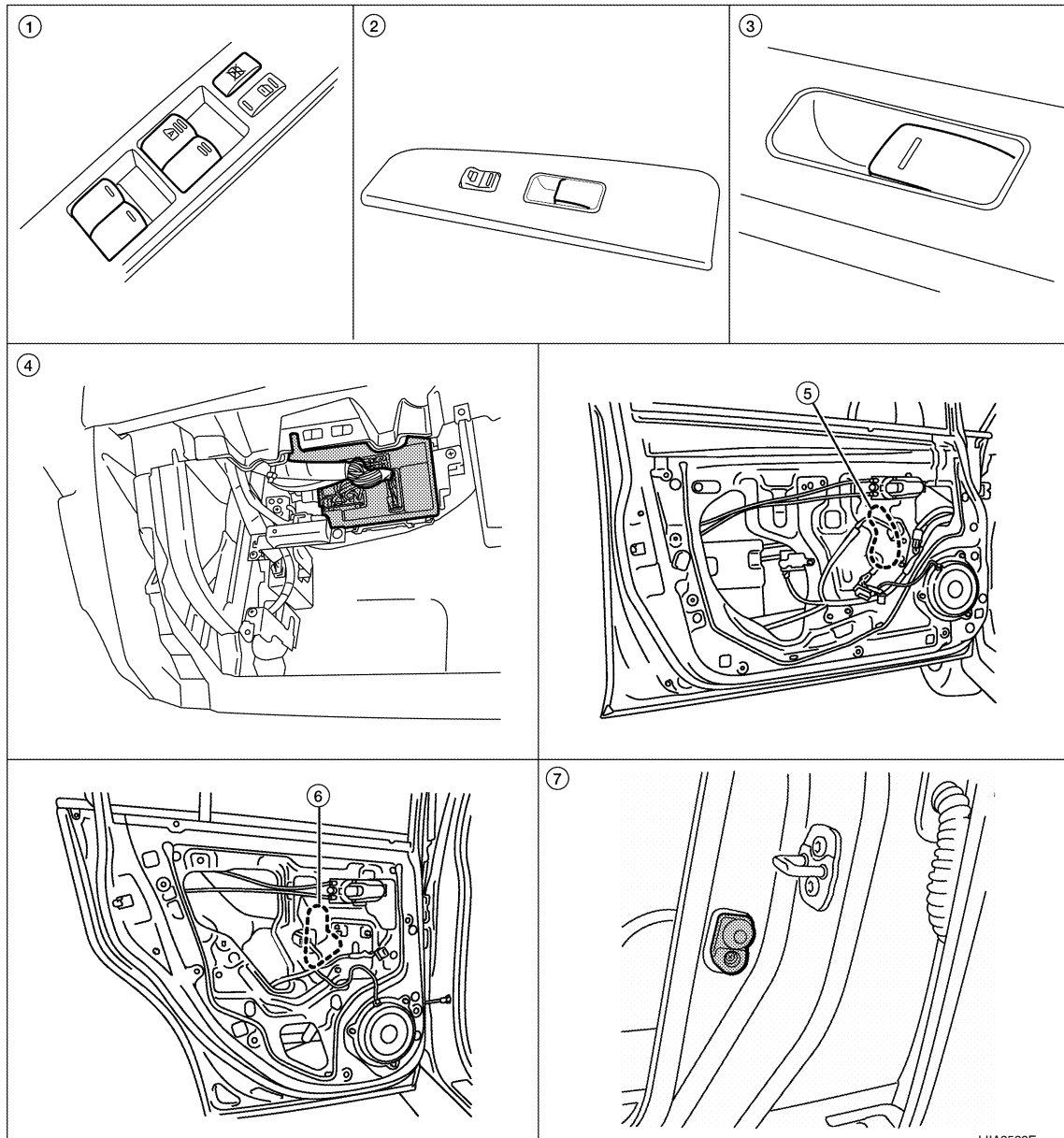
POWER WINDOW SYSTEM

< SERVICE INFORMATION >

POWER WINDOW SYSTEM

Component Parts and Harness Connector Location

INFOID:000000007330163



1. Main power window and door lock/unlock switch D7, D8
2. Power window and door lock/unlock switch RH D105
3. Rear power window switch LH D203, RH D303
4. BCM M18, M19, M20 (view with glove box removed)
5. Front power window motor LH D9, RH D104
6. Rear power window motor LH D204, RH D304
7. Front door switch LH B8, RH B108

System Description

INFOID:000000007330164

Power is supplied at all times

- through 40A fusible link (letter **g**, located in the fuse and fusible link box)
- to BCM terminal 70.

With ignition switch in ON or START position, power is supplied

- through 10A fuse [No. 6, located in the fuse block (J/B)]
- to BCM terminal 38

POWER WINDOW SYSTEM

< SERVICE INFORMATION >

- through BCM terminal 68
- to main power window and door lock/unlock switch terminal 10
- to power window and door lock/unlock switch RH terminal 8 and
- to rear power window switches LH and RH terminal 1.

Ground is supplied

- to BCM terminal 67
- to main power window and door lock/unlock switch terminal 17
- through body grounds M57 and M61.

With ignition switch in ACC or ON position, power is supplied

- through 10A fuse [No. 20, located in the fuse block (J/B)]
- to BCM terminal 11.

MANUAL OPERATION

Front Door LH

WINDOW UP

When the front LH switch in the main power window and door lock/unlock switch is pulled in the up position, power is supplied

- through main power window and door lock/unlock switch terminal 8
- to front power window motor LH terminal 2.

Ground is supplied

- through main power window and door lock/unlock switch terminal 11
- to front power window motor LH terminal 3.

Then, the motor raises the window until the switch is released.

WINDOW DOWN

When the front LH switch in the main power window and door lock/unlock switch is pressed in the down position, power is supplied

- through main power window and door lock/unlock switch terminal 11
- to front power window motor LH terminal 3.

Ground is supplied

- through main power window and door lock/unlock switch terminal 8
- to front power window motor LH terminal 2.

Then, the motor lowers the window until the switch is released.

Front Door RH

POWER WINDOW AND DOOR LOCK/UNLOCK SWITCH RH OPERATION

WINDOW UP

When the power window and door lock/unlock switch RH is pulled in the up position, power is supplied

- through power window and door lock/unlock switch RH terminal 7
- to front power window motor RH terminal 2.

Ground is supplied

- through power window and door lock/unlock switch RH terminal 6
- to front power window motor RH terminal 1.

Then, the motor raises the window until the switch is released.

WINDOW DOWN

When the power window and door lock/unlock switch RH is pressed in the down position, power is supplied

- through power window and door lock/unlock switch RH terminal 6
- to front power window motor RH terminal 1.

Ground is supplied

- through power window and door lock/unlock switch RH terminal 7
- to front power window motor RH terminal 2.

Then, the motor lowers the window until the switch is released.

MAIN POWER WINDOW AND DOOR LOCK/UNLOCK SWITCH OPERATION

WINDOW UP

When the main power window and door lock/unlock switch (front RH) is pulled in the up position, power is supplied

- through main power window and door lock/unlock switch terminal 16
- to power window and door lock/unlock switch RH terminal 12
- through power window and door lock/unlock switch RH terminal 7
- to front power window motor RH terminal 2.

Ground is supplied

- through main power window and door lock/unlock switch terminal 12

A

B

C

D

E

F

G

H

GW

J

K

L

M

N

O

P

POWER WINDOW SYSTEM

< SERVICE INFORMATION >

- to power window and door lock/unlock switch RH terminal 11
- through power window and door lock/unlock switch LH terminal 6
- to front power window motor RH terminal 1.

Then, the motor raises the window until the switch is released.

WINDOW DOWN

When the main power window and door lock/unlock switch (front RH) is pressed in the down position, power is supplied

- through main power window and door lock/unlock switch terminal 12
- to power window and door lock/unlock switch LH terminal 11
- through power window and door lock/unlock switch LH terminal 6
- to front power window motor RH terminal 1.

Ground is supplied

- through main power window and door lock/unlock switch terminal 16
- to power window and door lock/unlock switch RH terminal 12
- through power window and door lock/unlock switch LH terminal 7
- to front power window motor RH terminal 2.

Then, the motor lowers the window until the switch is released.

Rear Door (LH or RH)

REAR POWER WINDOW SWITCH LH OR RH OPERATION

WINDOW UP

When the rear power window switch LH or RH is pulled in the up position, power is supplied

- through rear power window switch LH or RH terminal 5
- to rear power window motor LH or RH terminal 2.

Ground is supplied

- through rear power window switch LH or RH terminal 4
- to rear power window motor LH or RH terminal 1.

Then, the motor raises the window until the switch is released.

WINDOW DOWN

When the rear power window switch LH or RH is pressed in the down position, power is supplied

- through rear power window switch LH or RH terminal 4
- to rear power window motor LH or RH terminal 1.

Ground is supplied

- through rear power window switch LH or RH terminal 5
- to rear power window motor LH or RH terminal 2.

Then, the motor lowers the window until the switch is released.

MAIN POWER WINDOW AND DOOR LOCK/UNLOCK SWITCH OPERATION

WINDOW UP

When the main power window and door lock/unlock switch (rear LH) is pulled in the up position, power is supplied

- through main power window and door lock/unlock switch terminal 1
- to rear power window switch LH terminal 2
- through rear power window switch LH terminal 5
- to rear power window motor LH terminal 2.

Ground is supplied

- through main power window and door lock/unlock switch terminal 3
- to rear power window switch LH terminal 3
- through rear power window switch LH terminal 4
- to rear power window motor LH terminal 1.

Then, the motor raises the window until the switch is released.

When the main power window and door lock/unlock switch (rear RH) is pulled in the up position, power is supplied

- through main power window and door lock/unlock switch terminal 7
- to rear power window switch RH terminal 2
- through rear power window switch RH terminal 5
- to rear power window motor RH terminal 2.

Ground is supplied

- through main power window and door lock/unlock switch terminal 5
- through rear power window switch RH terminal 3
- to rear power window switch RH terminal 4
- to rear power window motor RH terminal 1.

Then, the motor raises the window until the switch is released.

POWER WINDOW SYSTEM

< SERVICE INFORMATION >

WINDOW DOWN

When the main power window and door lock/unlock switch (rear LH) is pressed in the down position, power is supplied

- through main power window and door lock/unlock switch terminal 3
- to rear power window switch LH terminal 3
- through rear power window switch LH terminal 4
- to rear power window motor LH terminal 1.

Ground is supplied

- through main power window and door lock/unlock switch terminal 1
- to rear power window switch LH terminal 2
- through rear power window switch LH terminal 5
- to rear power window motor LH terminal 2.

Then, the motor lowers the window until the switch is released.

When the main power window and door lock/unlock switch (rear RH) is pressed in the down position, power is supplied

- through main power window and door lock/unlock switch terminal 5
- to rear power window switch RH terminal 3
- through rear power window switch RH terminal 4
- to rear power window motor RH terminal 1.

Ground is supplied

- through main power window and door lock/unlock switch terminal 7
- to rear power window switch RH terminal 2
- through rear power window switch RH terminal 5
- to rear power window motor RH terminal 2.

Then, the motor lowers the window until the switch is released.

AUTO OPERATION

The power window AUTO feature enables the driver to open the window without holding the window switch in the down position.

POWER WINDOW LOCK

The power window lock is designed to lock operation of all windows except for front door window LH.

When in the lock position, the power window lock disables power window and door lock/unlock switch RH and rear power window switch LH and RH by disconnecting switch ground signal. This prevents the power window motors from operating.

RETAINED POWER OPERATION

When the ignition switch is turned to the OFF position from ON or START position, power is supplied for 45 seconds

- through BCM terminal 68
- to main power window and door lock/unlock switch terminal 10
- to power window and door lock/unlock switch RH terminal 8 and
- to rear power window switches LH and RH terminal 1.

When power and ground are supplied, the BCM continues to be energized, and the power window can be operated.

The retained power operation is canceled when the front LH or front RH door is opened.

Retained power operation period can be changed by CONSULT. Refer to [GW-28, "CONSULT Function \(BCM\)"](#).

ANTI-PINCH SYSTEM

Main power window and door lock/unlock switch monitors the power window motor operation and the power window position (full closed or other) for front LH power window by the signal from encoder in front power window motor LH.

When main power window and door lock/unlock switch detects interruption during the following close operations

- automatic close operation when ignition switch is in the ON position
- automatic close operation during retained power operation

Main power window and door lock/unlock switch controls front power window motor LH for open and the power window will be lowered.

CAN Communication System Description

Refer to [LAN-5, "System Description"](#).

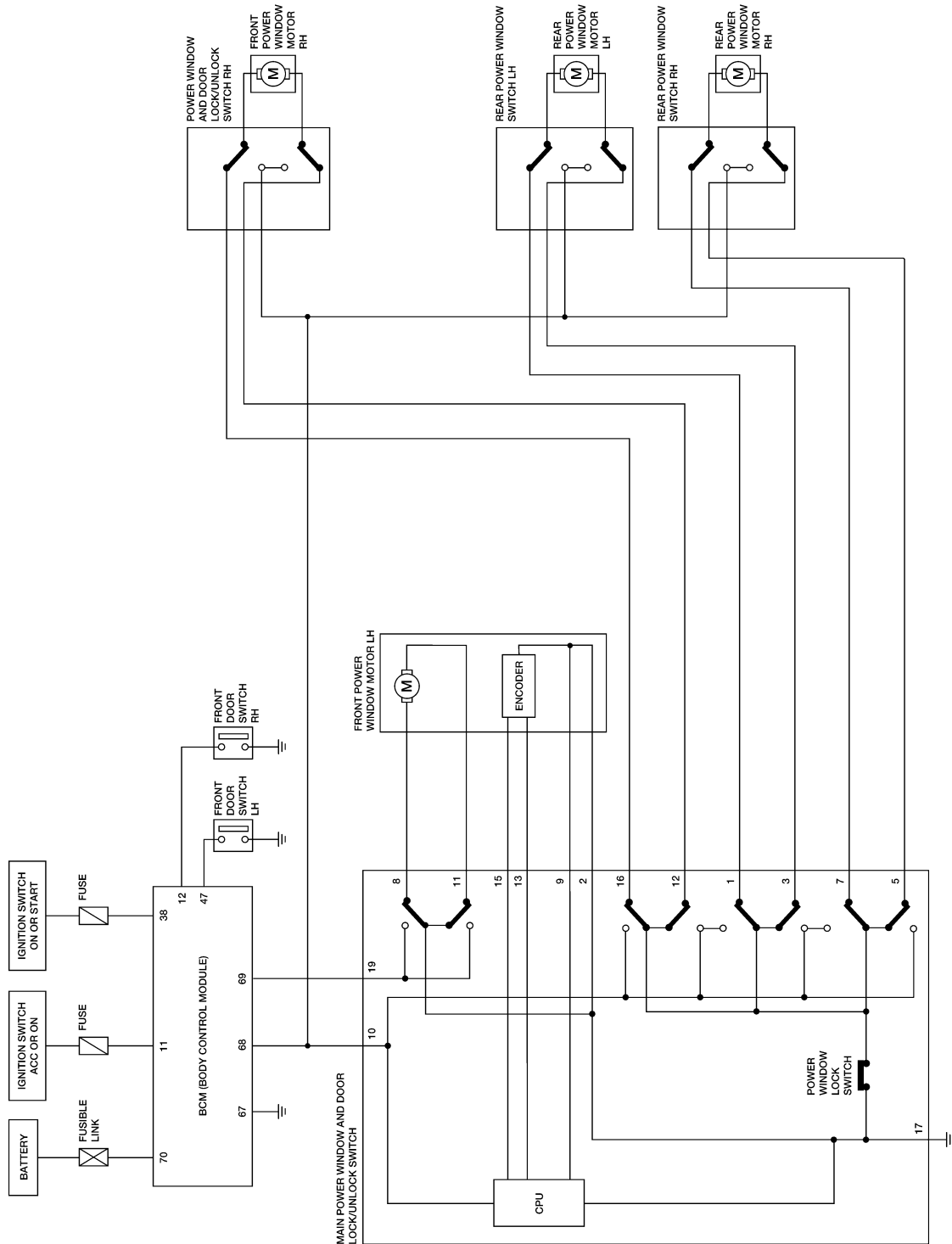
INFOID:000000007330165

POWER WINDOW SYSTEM

< SERVICE INFORMATION >

Schematic

INFOID:000000007330166

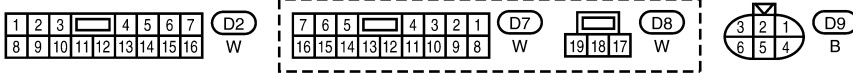
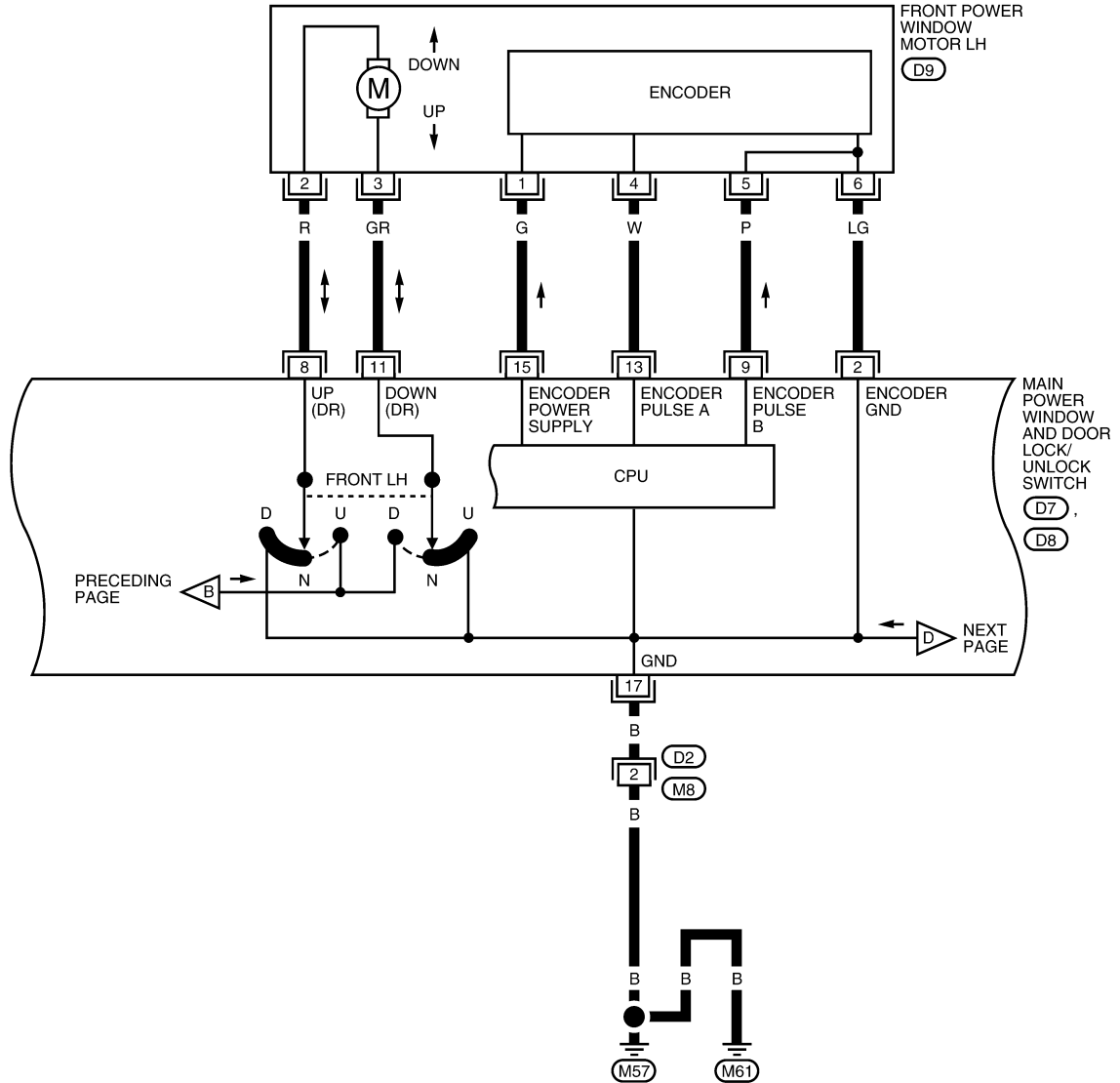


WIWA1977E

POWER WINDOW SYSTEM

< SERVICE INFORMATION >

GW-WINDOW-02

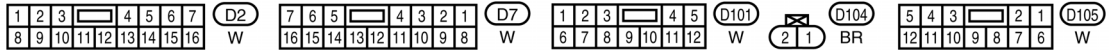
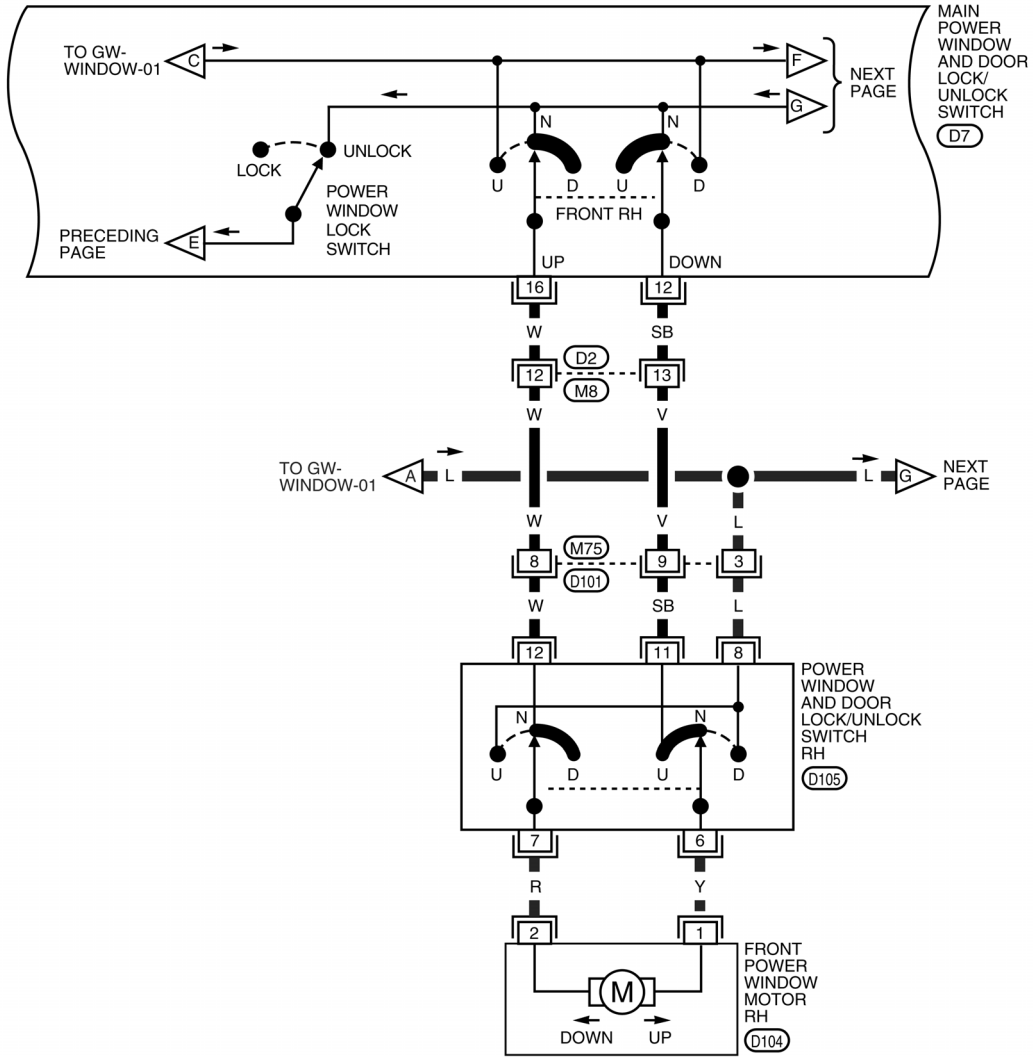


LIWA0556E

POWER WINDOW SYSTEM

< SERVICE INFORMATION >

GW-WINDOW-03

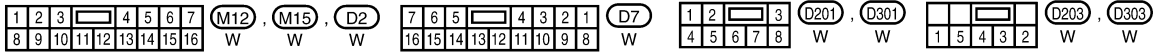
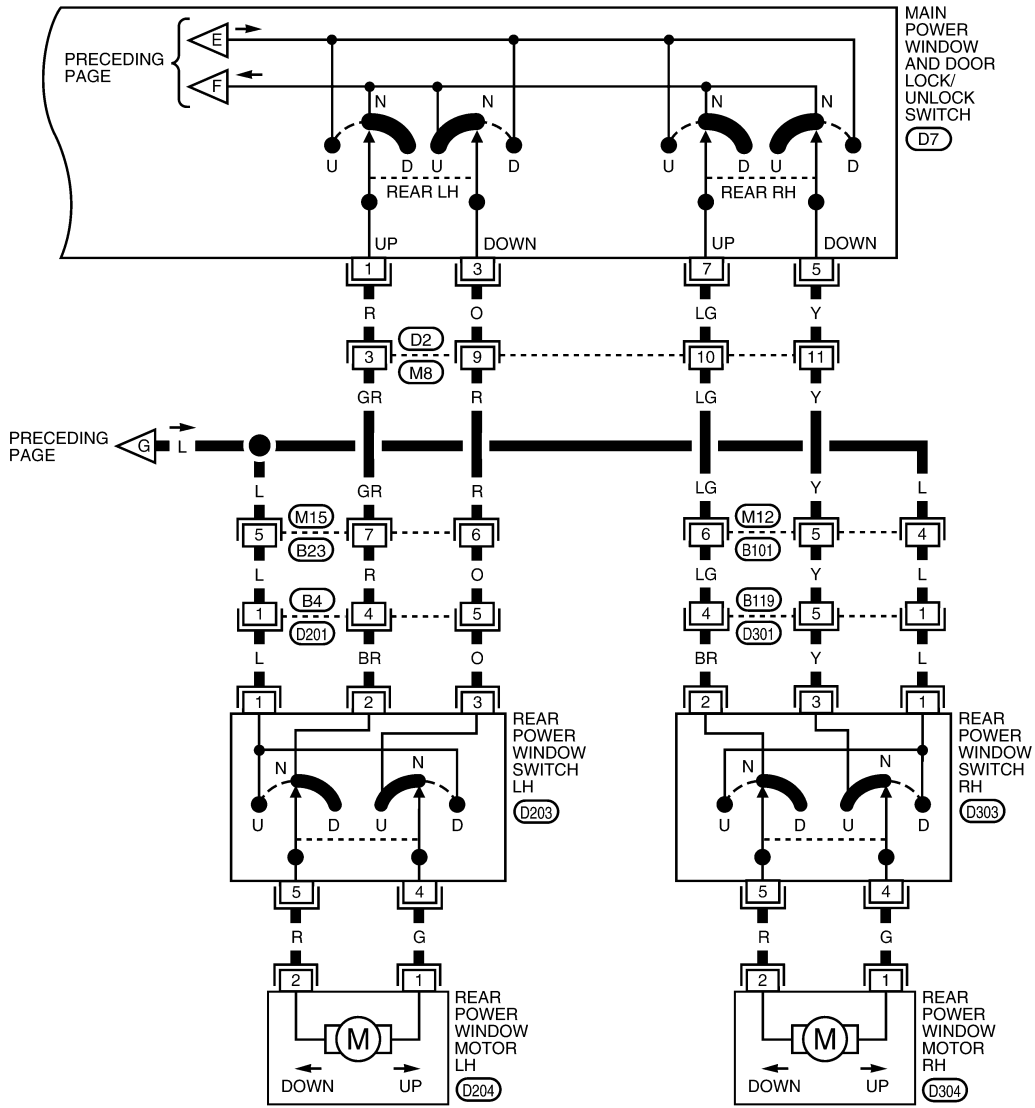


AAKWA0401GB

POWER WINDOW SYSTEM

< SERVICE INFORMATION >

GW-WINDOW-04



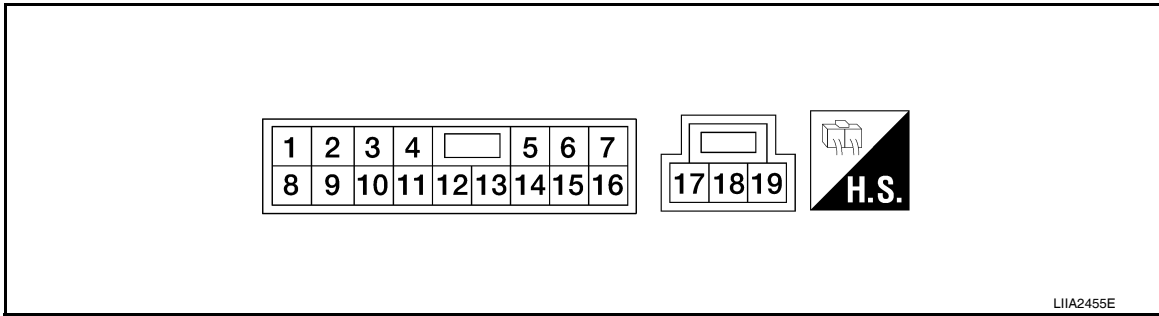
WIWA1980E

POWER WINDOW SYSTEM

< SERVICE INFORMATION >

Main Power Window and Door Lock/Unlock Switch Harness Connector Terminal Layout

INFOID:000000007330168



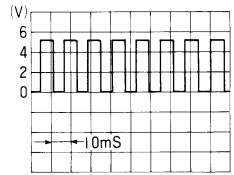
Terminal and Reference Value for Main Power Window and Door Lock/Unlock Switch

INFOID:000000007330169

Terminal	Wire Color	Item	Condition	Voltage (V) (Approx.)
1	R	Rear power window LH UP signal	When rear LH switch in main power window and door lock/unlock switch is operated UP	Battery voltage
2	LG	Encoder ground	—	0
3	O	Rear power window LH DOWN signal	When rear LH switch in main power window and door lock/unlock switch is operated DOWN	Battery voltage
5	Y	Rear power window RH DOWN signal	When rear RH switch in main power window and door lock/unlock switch is operated DOWN	Battery voltage
7	LG	Rear power window RH UP signal	When rear RH switch in main power window and door lock/unlock switch is operated UP	Battery voltage
8	R	Front power window motor LH UP signal	When power window motor is operated UP	Battery voltage
9	P	Encoder pulse B signal	When power window switch operates	<p>OCC3383D</p>
10	L	RAP signal	When ignition switch ON	Battery voltage
			Within 45 seconds after ignition switch is turned to OFF	Battery voltage
			More than 45 seconds after ignition switch is turned to OFF	0
			When front door LH or RH open or power window timer operates	0
11	GR	Front power window motor LH DOWN signal	When power window motor is operated DOWN	Battery voltage
12	SB	Front power window motor RH DOWN signal	When power window motor is operated DOWN	Battery voltage

POWER WINDOW SYSTEM

< SERVICE INFORMATION >

Terminal	Wire Color	Item	Condition	Voltage (V) (Approx.)
13	W	Encoder pulse A signal	When power window motor operates	 OCC3383D
15	G	Encoder power supply	When ignition switch ON or power window timer operates	10
16	W	Front power window motor LH UP signal	When power window motor is operated UP	Battery voltage
17	B	Ground	—	0
19	P	Battery power supply	—	Battery voltage

Terminal and Reference Value for BCM

INFOID:000000007330170

Refer to [BCS-12. "Terminal and Reference Value for BCM"](#) .

Work Flow

INFOID:000000007330171

1. Check the symptom and customer's requests.
2. Understand the outline of system. Refer to [GW-18. "System Description"](#) .
3. According to the trouble diagnosis chart, repair or replace the cause of the malfunction.
Refer to [GW-29. "Trouble Diagnosis Symptom Chart"](#) .
4. Does power window system operate normally? If Yes, GO TO 5, If No, GO TO 3.
5. Inspection End.

CONSULT Function (BCM)

INFOID:000000007330172

CONSULT can display each diagnostic item using the diagnostic test modes shown following.

BCM diagnostic test item	Diagnostic mode	Content
Inspection by part	WORK SUPPORT	Supports inspections and adjustments. Commands are transmitted to the BCM for setting the status suitable for required operation, input/output signals are received from the BCM and received data is displayed.
	DATA MONITOR	Displays BCM input/output data in real time.
	ACTIVE TEST	Operation of electrical loads can be checked by sending drive signal to them.
	SELF DIAGNOSTIC RESULT	Displays BCM self-diagnosis results.
	CAN DIAG SUPPORT MNTR	The results of transmit/receive diagnosis of CAN communication can be read.
	ECU IDENTIFICATION	BCM part number can be read.
	CONFIGURATION	Performs BCM configuration read/write functions.

ACTIVE TEST

POWER WINDOW SYSTEM

< SERVICE INFORMATION >

Test Item	Description
RETAINED PWR	<p>This test is able to supply RAP signal (power) from BCM (body control module) to power window system and power sunroof system (if equipped). Those systems can be operated when turning on "RETAINED PWR" on CONSULT screen even if the ignition switch is turned OFF.</p> <p>NOTE: During this test, CONSULT can be operated with ignition switch in OFF position. "RETAINED PWR" should be turned "ON" or "OFF" on CONSULT screen when ignition switch is ON. Then turn ignition switch OFF to check retained power operation. CONSULT might be stuck if "RETAINED PWR" is turned "ON" or "OFF" on CONSULT screen when ignition switch is OFF.</p>

WORK SUPPORT

Work item	Description
RETAINED PWR	<p>RAP signal's power supply period can be changed by mode setting. Selects RAP signal's power supply period between three steps</p> <ul style="list-style-type: none"> • MODE1 (45 sec.)/MODE2 (OFF)/MODE3 (2 min.).

DATA MONITOR

Work item	Description
IGN ON SW	Indicates (ON/OFF) condition of ignition switch
DOOR SW-DR	Indicates (ON/OFF) condition of front door switch LH
DOOR SW-AS	Indicates (ON/OFF) condition of front door switch RH

Power Window Auto Operation Initialization

INFOID:000000007330173

1. Turn the ignition switch ON.
2. Open the window—all the way DOWN.
3. Pull all the way UP on the switch and hold (close the window).
 - Continue holding the switch all the way UP for 4 seconds after the window is closed.
4. Confirm the window is now operating correctly.

NOTE:

- If the window is still not operating correctly, refer to [GW-29. "Trouble Diagnosis Symptom Chart"](#).
- The above initialization procedure must be performed if any of the following occur:
 - Battery cable is disconnected
 - Power window switch connector is disconnected
 - Power window regulator is replaced
 - Power window motor is replaced
 - Window glass is removed
 - Window glass run rubber is replaced
 - Power window fuse is blown
 - Window is partly opened and/or closed many times without being fully closed.

Trouble Diagnosis Symptom Chart

INFOID:000000007330174

Check that other systems using the signal of the following systems operate normally.

Symptom	Repair order	Refer to page
None of the power windows can be operated using any switch	1. BCM power supply and ground circuit check	BCS-16
	2. Main power window and door lock/unlock power supply and ground circuit check	GW-30
	3. Replace main power window and door lock/unlock switch	EI-30
Front power window LH alone does not operate	1. Front power window motor LH circuit check	GW-31
	2. Replace main power window and door lock/unlock switch	EI-30

POWER WINDOW SYSTEM

< SERVICE INFORMATION >

Symptom	Repair order	Refer to page
Front power window RH does not operate from power window and door lock/unlock switch RH only	1. Front power window RH circuit check (power window and door lock/unlock switch RH operation)	GW-32
Front power window RH does not operate from main power window and door lock/unlock switch only	1. Replace main power window and door lock/unlock switch	EI-30
Front power window RH does not operate from any switch	1. Front power window motor RH circuit check	GW-33
Anti-pinch system does not operate normally (Front LH)	1. Door window sliding part malfunction • A foreign material adheres to window glass or glass run rubber. • Glass run rubber wear or deformation. • Sash is tilted too much, or not enough.	—
	2. Encoder circuit check	GW-34
Front power window LH automatic operation does not function properly	1. Power window system initialization	GW-44
	2. Main power window and door lock/unlock power supply and ground circuit check	GW-30
	3. Encoder circuit check	GW-34
Rear power window LH does not operate from rear power window switch LH only	1. Rear power window LH circuit check (rear power window switch LH operation)	GW-37
Rear power window LH does not operate from main power window and door lock/unlock switch only	1. Replace main power window and door lock/unlock switch	EI-30
Rear power window LH does not operate from any switch	1. Rear power window motor LH circuit check	GW-38
Rear power window RH does not operate from rear power window switch RH only	1. Rear power window RH circuit check (rear window switch RH operation)	GW-38
Rear power window RH does not operate from main power window and door lock/unlock switch only	1. Replace main power window and door lock/unlock switch	EI-30
Rear power window RH does not operate from any switch	1. Rear power window motor RH circuit check	GW-40
Power window retained power operation does not operate properly	1. Check the retained power operation mode setting.	GW-28
	2. Door switch check	GW-36
	3. Replace BCM.	BCS-19

BCM Power Supply and Ground Circuit Inspection

INFOID:000000007330175

Refer to [BCS-16. "BCM Power Supply and Ground Circuit Inspection"](#) .

Main Power Window and Door Lock/Unlock Switch Power Supply and Ground Circuit Inspection

INFOID:000000007330176

1. CHECK POWER SUPPLY CIRCUIT

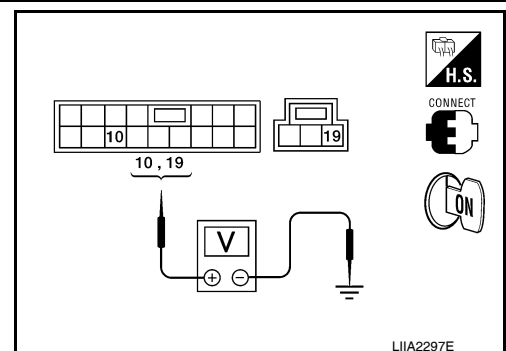
- Turn ignition switch ON.
- Check voltage between main power window and door lock/unlock switch connector D7 terminal 10, D8 terminal 19 and ground.

10 - Ground : Battery voltage
19 - Ground : Battery voltage

OK or NG

- OK >> GO TO 2.
 NG >> GO TO 3.

2. CHECK GROUND CIRCUIT



POWER WINDOW SYSTEM

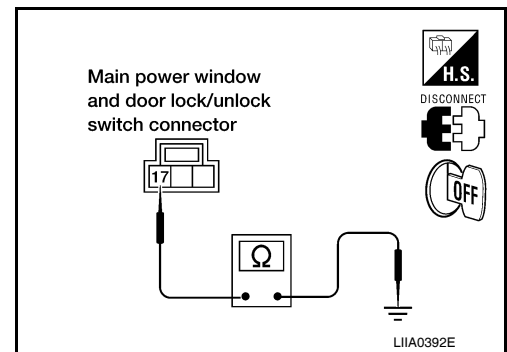
< SERVICE INFORMATION >

1. Turn ignition switch OFF.
2. Disconnect main power window and door lock/unlock switch.
3. Check continuity between main power window and door lock/unlock switch connector D8 terminal 17 and ground.

17 - Ground : Continuity should exist.

OK or NG

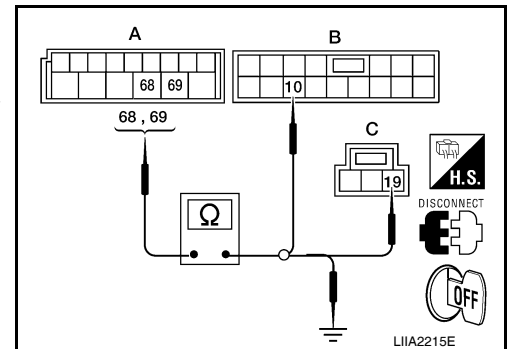
- OK >> Power supply and ground circuit are OK.
 NG >> Repair or replace harness.



3. CHECK MAIN POWER WINDOW AND DOOR LOCK/UNLOCK SWITCH POWER SUPPLY CIRCUIT

1. Turn ignition switch OFF.
2. Disconnect BCM and main power window and door lock/unlock switch.
3. Check continuity between BCM connector (A) and main power window and door lock/unlock switch connector D7 (B) terminal 10 and D8 (C) terminal 19.

Connector	Terminal	Connector	Terminal	Continuity
A		B		
BCM: M20	68	Main power window and door lock/unlock switch: D7	10	Yes
	69	Main power window and door lock/unlock switch: D8	19	Yes



4. Check continuity between BCM connector (A) and ground.

Connector	Terminal	Ground	Continuity
A			
BCM: M20	68	Ground	No
	69		No

OK or NG

- OK >> GO TO 4.
 NG >> Repair or replace harness.

4. CHECK BCM OUTPUT SIGNAL

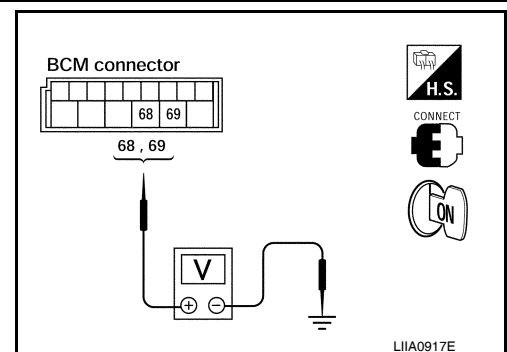
1. Connect BCM.
2. Turn ignition switch ON.
3. Check voltage between BCM connector M20 terminals 68, 69 and ground.

68 - Ground : Battery voltage

69 - Ground : Battery voltage

OK or NG

- OK >> Check the condition of the harness and the connector.
 NG >> Replace BCM. Refer to [BCS-19. "Removal and Installation of BCM"](#) .



Front Power Window Motor LH Circuit Inspection

INFOID:000000007330177

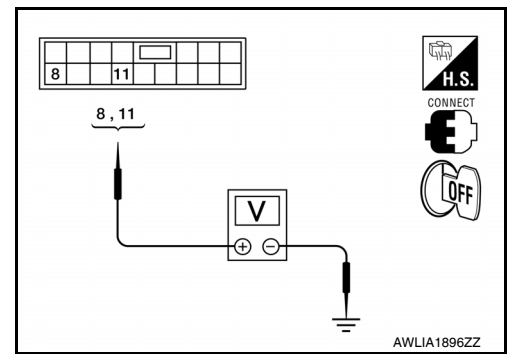
1. CHECK MAIN POWER WINDOW AND DOOR LOCK/UNLOCK SWITCH OUTPUT SIGNAL

POWER WINDOW SYSTEM

< SERVICE INFORMATION >

1. Turn ignition switch OFF.
2. Check voltage between main power window and door lock/unlock switch connector D7 terminals 8, 11 and ground.

Connector	Terminals		Condition	Voltage (V) (Approx.)
	(+)	(-)		
D7	8	Ground	UP	Battery voltage
			DOWN	0
	11		UP	0
			DOWN	Battery voltage



OK or NG

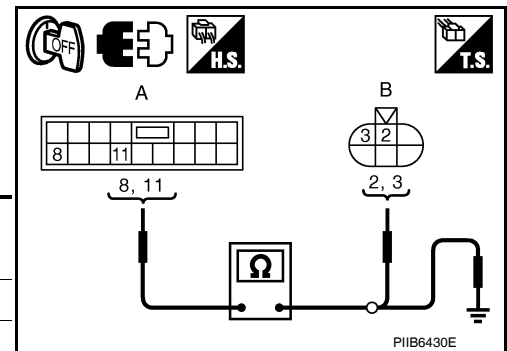
OK >> GO TO 2.

NG >> Replace main power window and door lock/unlock switch. Refer to [EI-30. "Removal and Installation"](#).

2. CHECK POWER WINDOW MOTOR CIRCUIT

1. Disconnect main power window and door lock/unlock switch and front power window motor LH.
2. Check continuity between main power window and door lock/unlock switch connector (A) and front power window motor LH connector (B).

Connector	Terminal	Connector	Terminal	Continuity
A		B		
Main power window and door lock/unlock switch: D7	8	Front power window motor LH: D9	2	Yes
	11		3	Yes



3. Check continuity between main power window and door lock/unlock switch connector (A) and ground.

Connector	Terminal	Ground	Continuity
A			
Main power window and door lock/unlock switch: D7	8	Ground	No
	11		No

OK or NG

OK >> Replace front power window motor LH. Refer to [GW-42](#).

NG >> Repair or replace harness.

Front Power Window RH Circuit Inspection (Power Window and Door Lock/Unlock Switch RH Operation)

INFOID:000000007330178

1. CHECK POWER SUPPLY CIRCUIT

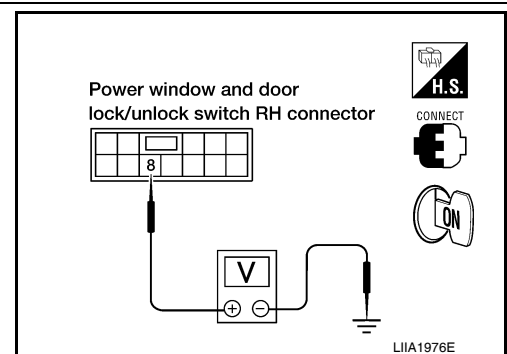
1. Turn ignition switch ON.
2. Check voltage between power window and door lock/unlock switch RH connector D105 terminal 8 and ground.

8 - Ground : Battery voltage

OK or NG

OK >> Replace power window and door lock/unlock switch RH. Refer to [EI-30. "Removal and Installation"](#).

NG >> Repair or replace harness.



POWER WINDOW SYSTEM

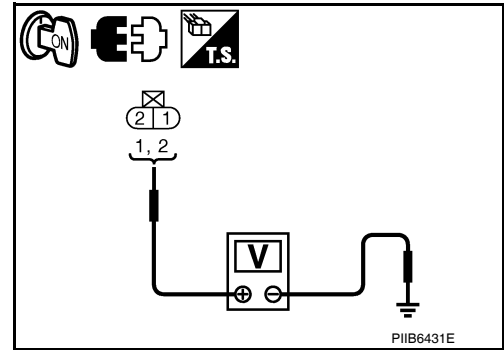
< SERVICE INFORMATION >

Front Power Window Motor RH Circuit Inspection

INFOID:000000007330179

1. CHECK POWER WINDOW AND DOOR LOCK/UNLOCK SWITCH RH OUTPUT SIGNAL

1. Turn ignition switch OFF.
2. Disconnect front power window motor RH.
3. Turn ignition switch ON.
4. Check voltage between front power window motor RH connector and ground.



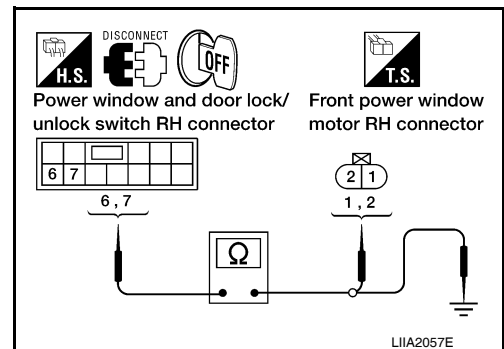
Connector	Terminals		Condition	Voltage (V) (Approx.)
	(+)	(-)		
Front power window motor RH: D104	1	Ground	UP	0
			DOWN	Battery voltage
	2		UP	Battery voltage
			DOWN	0

OK or NG

- OK >> Replace front power window motor RH. Refer to [GW-42](#).
 NG >> GO TO 2.

2. CHECK FRONT POWER WINDOW MOTOR RH CIRCUIT

1. Turn ignition switch OFF.
2. Disconnect power window and door lock/unlock switch RH.
3. Check continuity between rear power window switch RH connector D105 terminals 6, 7 and rear power window motor RH connector D104 terminals 1, 2.



- 6 - 1 : Continuity should exist.**
7 - 2 : Continuity should exist.

4. Check continuity between power window and door lock/unlock switch RH connector D105 terminals 6, 7 and ground.

- 6 - Ground : Continuity should not exist.**
7 - Ground : Continuity should not exist.

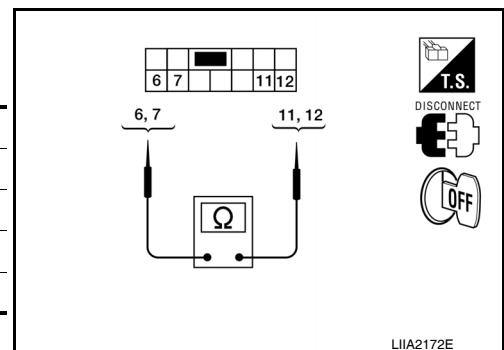
OK or NG

- OK >> GO TO 3.
 NG >> Repair or replace harness.

3. CHECK POWER WINDOW AND DOOR LOCK/UNLOCK SWITCH RH

1. Check continuity between power window and door lock/unlock switch RH terminals.

	Terminals		Condition	Continuity
	6	11		
Power window and door lock/unlock switch RH	6	11	DOWN	No
			Other than above	Yes
	7	12	UP	No
			Other than above	Yes



OK or NG

- OK >> GO TO 4.
 NG >> Replace power window and door lock/unlock switch RH. Refer to [EI-30, "Removal and Installation"](#).

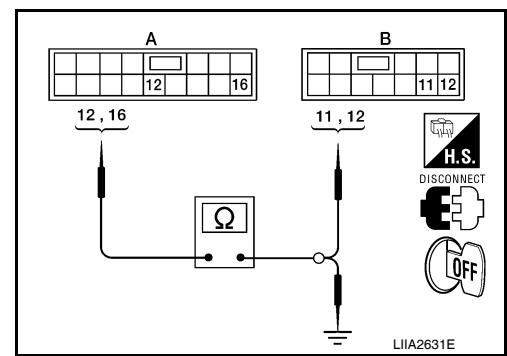
4. CHECK POWER WINDOW AND DOOR LOCK/UNLOCK SWITCH RH CIRCUIT

POWER WINDOW SYSTEM

< SERVICE INFORMATION >

1. Disconnect main power window and door lock/unlock switch.
2. Check continuity between main power window and door lock/unlock switch connector (A) and power window and door lock/unlock switch RH connector (B).

Connector	Terminal	Connector	Terminal	Continuity
A		B		
Main power window and door lock/unlock switch: D7	12	Power window and door lock/unlock switch RH: D105	11	Yes
	16		12	



3. Check continuity power window main switch connector (A) and ground.

Connector	Terminal	Ground	Continuity
A			
Main power window and door lock/unlock switch: D7	12	Ground	No
	16		

OK or NG

- OK >> Replace main power window and door lock/unlock switch. Refer to [EI-30, "Removal and Installation"](#).
- NG >> Repair or replace harness.

Encoder Circuit Inspection

INFOID:000000007330180

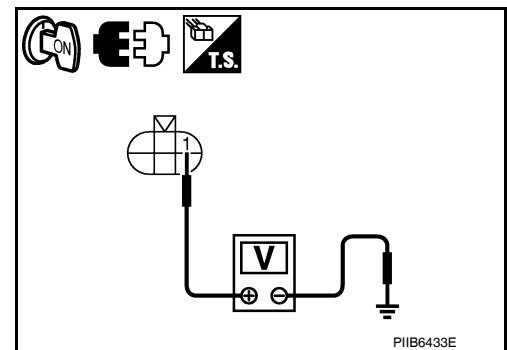
1. CHECK FRONT POWER WINDOW MOTOR LH POWER SUPPLY

1. Turn ignition switch OFF.
2. Disconnect front power window motor LH.
3. Turn ignition switch ON.
4. Check voltage between front power window motor LH connector D9 terminal 1 and ground.

1 - Ground : Approx. 10V

OK or NG

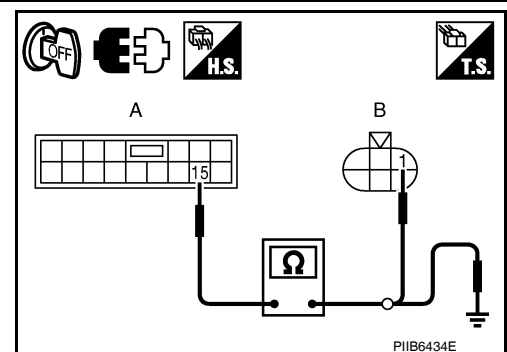
- OK >> GO TO 3.
- NG >> GO TO 2.



2. CHECK HARNESS CONTINUITY

1. Turn ignition switch OFF.
2. Disconnect main power window and door lock/unlock switch.
3. Check continuity between front power window motor LH connector (B) and main power window and door lock/unlock switch connector (A).

Connector	Terminal	Connector	Terminal	Continuity
A		B		
Main power window and door lock/unlock switch: D7	15	Front power window motor LH: D9	1	Yes



4. Check continuity between front power window motor LH connector (B) and ground.

Connector	Terminal	Ground	Continuity
B			
Front power window motor LH: D9	1	Ground	No

POWER WINDOW SYSTEM

< SERVICE INFORMATION >

OK or NG

- OK >> Replace main power window and door lock/unlock switch. Refer to [EI-30. "Removal and Installation"](#).
- NG >> Repair or replace harness.

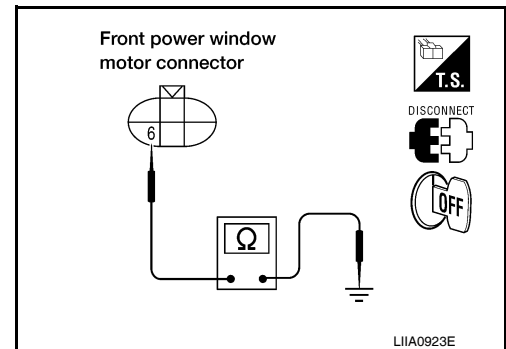
3. CHECK ENCODER GROUND

1. Turn ignition switch OFF.
2. Check continuity between front power window motor LH connector D9 terminal 6 and ground.

6 - Ground : Continuity should exist.

OK or NG

- OK >> GO TO 5.
- NG >> GO TO 4.



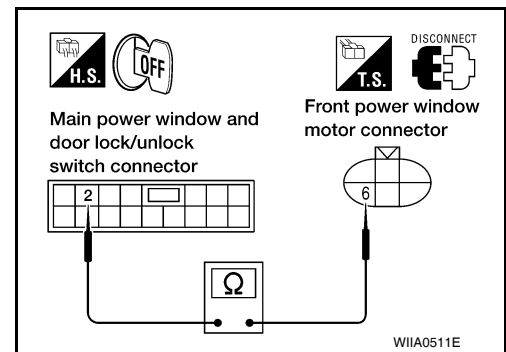
4. CHECK ENCODER GROUND CIRCUIT

1. Disconnect main power window and door lock/unlock switch.
2. Check continuity between front power window motor LH connector D9 terminal 6 and main power window and door lock/unlock switch connector D7 terminal 2.

6 - 2 : Continuity should exist.

OK or NG

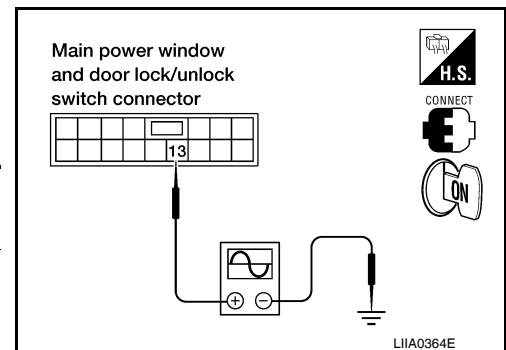
- OK >> Replace main power window and door lock/unlock switch. Refer to [EI-30. "Removal and Installation"](#).
- NG >> Repair or replace harness.



5. CHECK ENCODER PULSE A SIGNAL

1. Connect front power window motor LH.
2. Turn ignition switch ON.
3. Check the signal between main power window and door lock/unlock switch connector and ground with oscilloscope.

Connector	Terminals		Condition	Signal
	(+)	(-)		
D7	13	Ground	Opening	<p style="text-align: right;">OCC3383D</p>



OK or NG

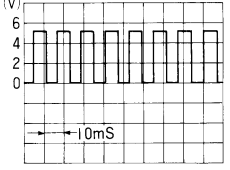
- OK >> Replace main power window and door lock/unlock switch. Refer to [EI-30. "Removal and Installation"](#).
- NG >> GO TO 6.

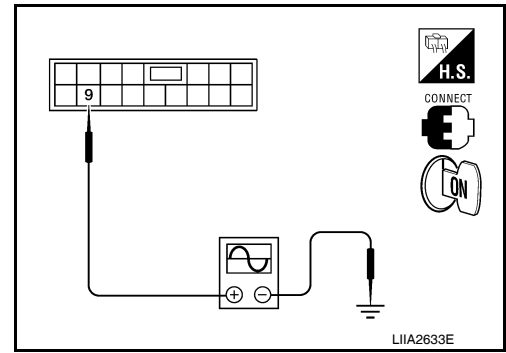
6. CHECK ENCODER PULSE B SIGNAL

POWER WINDOW SYSTEM

< SERVICE INFORMATION >

Check the signal between main power window and door lock/unlock switch connector and ground with oscilloscope.

Connector	Terminals		Condition	Signal
	(+)	(-)		
D7	9	Ground	Opening	 <p>OCC3383D</p>



OK or NG

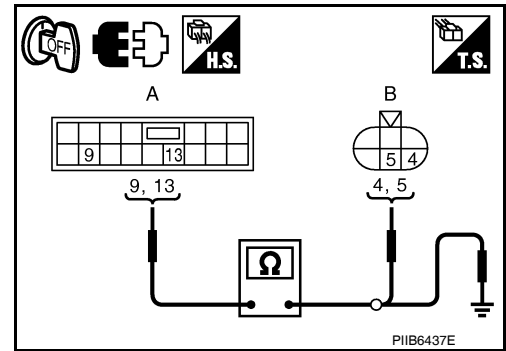
OK >> Replace main power window and door lock/unlock switch. Refer to [EI-30, "Removal and Installation"](#).

NG >> GO TO 7.

7. CHECK ENCODER CIRCUIT

- Turn ignition switch OFF.
- Disconnect front power window motor LH and main power window and door lock/unlock switch.
- Check continuity between front power window motor LH connector (B) and main power window and door lock/unlock switch connector (A).

Connector	Terminal	Connector	Terminal	Continuity
A		B		
Main power window and door lock/unlock switch: D7	9	Front power window motor LH: D9	5	Yes
	13		4	



- Check continuity between main power window and door lock/unlock switch connector (A) and ground.

Connector	Terminal	Ground	Continuity
A			
Main power window and door lock/unlock switch: D7	9	Ground	No
	13		

OK or NG

OK >> Replace front power window motor LH. Refer to [GW-42](#).

NG >> Repair or replace harness.

Door Switch Check

INFOID:000000007330181

1. CHECK FRONT DOOR SWITCH INPUT SIGNAL

With CONSULT

Check front door switches ("DOOR SW-DR" and "DOOR SW-AS") in "DATA MONITOR" mode with CONSULT.

Monitor item	Condition
DOOR SW-DR	OPEN: ON
	CLOSE: OFF
DOOR SW-AS	OPEN: ON
	CLOSE: OFF

POWER WINDOW SYSTEM

< SERVICE INFORMATION >

⊗ Without CONSULT

Check voltage between BCM connector and ground.

Item	Connector	Terminals		Condition	Voltage (V) (Approx.)
		(+)	(-)		
Front RH	M18	12	Ground	OPEN	0
				CLOSE	Battery voltage
Front LH	M19	47		OPEN	0
				CLOSE	Battery voltage

OK or NG

OK >> Front door switch is OK.

NG >> GO TO 2.

2. CHECK FRONT DOOR SWITCH CIRCUIT

- Turn ignition switch OFF.
- Disconnect front door switch LH or RH and BCM.
- Check continuity between front door switch connector B8 (LH) or B108 (RH) terminal 2 and BCM connector M19 terminal 47 (LH) or connector M18 terminal 12 (RH).

Front LH

2 - 47

: Continuity should exist.

Front RH

2 - 12

: Continuity should exist.

- Check continuity between front door switch connector B8 (LH) or B108 (RH) terminal 2 and ground.

2 - Ground

: Continuity should not exist.

OK or NG

OK >> GO TO 3.

NG >> Repair or replace harness.

3. CHECK DOOR SWITCH

Check continuity between each front door switch terminal 2 and body ground part of front door switch.

Terminal	Door switch	Continuity	
2	Body ground part of front door switch	Pushed	No
	Released	Yes	Yes

OK or NG

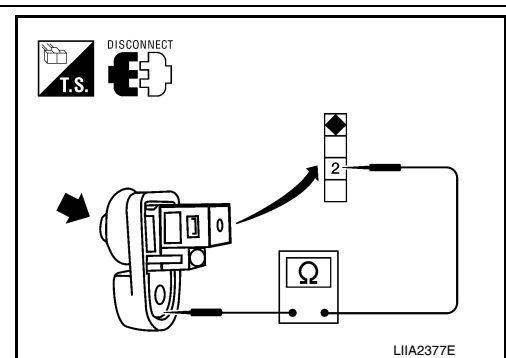
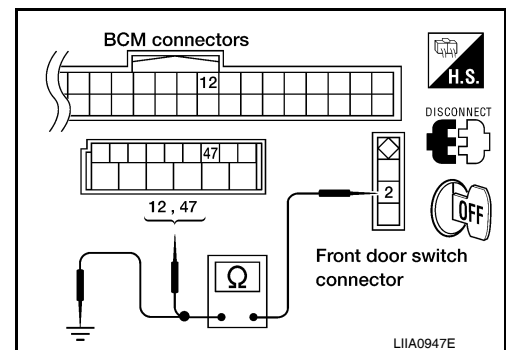
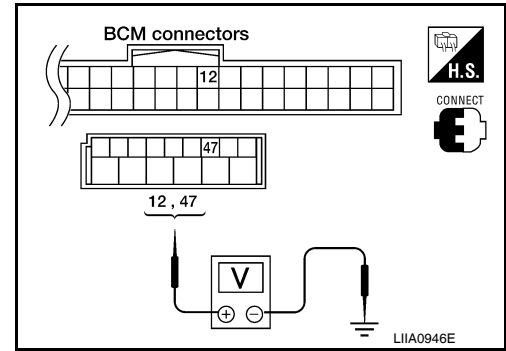
OK >> Replace BCM. Refer to [BCS-19, "Removal and Installation of BCM"](#).

NG >> Replace malfunctioning front door switch.

Rear Power Window LH Circuit Inspection (Rear Power Window Switch LH Operation)

INFOID:000000007330182

1. CHECK POWER SUPPLY



POWER WINDOW SYSTEM

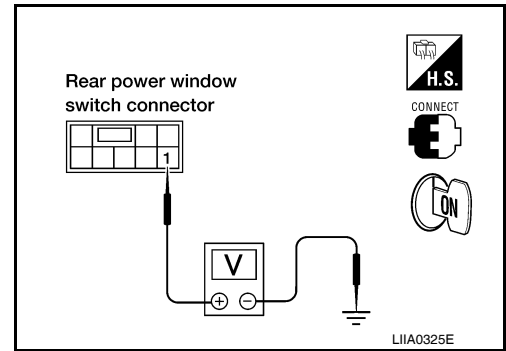
< SERVICE INFORMATION >

1. Turn ignition switch ON.
2. Check voltage between rear power window switch LH connector D203 terminal 1 and ground.

1 - Ground : **Battery voltage**

OK or NG

- OK >> Replace rear power window switch LH. Refer to [EI-30](#), "[Removal and Installation](#)".
- NG >> Repair or replace harness.



Rear Power Window RH Circuit Inspection (Rear Power Window Switch RH Operation)

INFOID:000000007330183

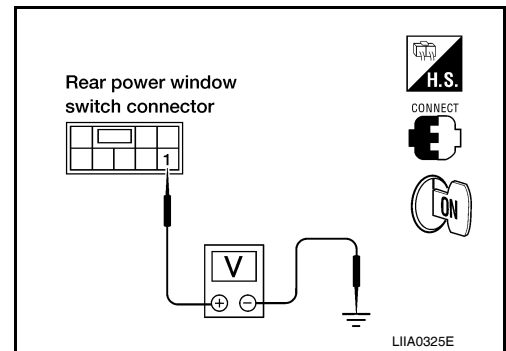
1. CHECK POWER SUPPLY

1. Turn ignition switch ON.
2. Check voltage between rear power window switch RH connector D303 terminal 1 and ground.

1 - Ground : **Battery voltage**

OK or NG

- OK >> Replace rear power window switch RH. Refer to [EI-30](#), "[Removal and Installation](#)".
- NG >> Repair or replace harness.



Rear Power Window Motor LH Circuit Inspection

INFOID:000000007330184

1. CHECK REAR POWER WINDOW SWITCH LH OUTPUT SIGNAL

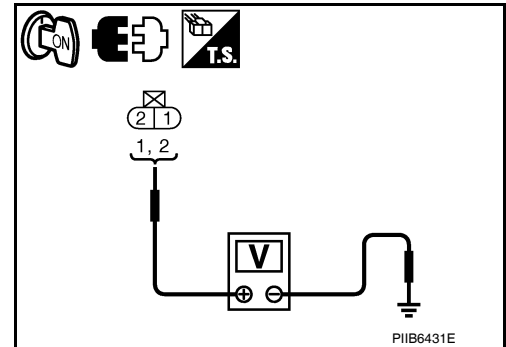
1. Turn ignition switch OFF.
2. Disconnect rear power window motor LH.
3. Turn ignition switch ON.
4. Check voltage between rear power window motor LH connector and ground.

Connector	Terminals		Condition	Voltage (V) (Approx.)
	(+)	(-)		
Rear power window motor LH: D204	1	Ground	UP	0
			DOWN	Battery voltage
	2		UP	Battery voltage
			DOWN	0

OK or NG

- OK >> Replace rear power window motor LH. Refer to [GW-46](#).
- NG >> GO TO 2.

2. CHECK REAR POWER WINDOW MOTOR LH CIRCUIT



POWER WINDOW SYSTEM

< SERVICE INFORMATION >

1. Turn ignition switch OFF.
2. Disconnect rear power window switch LH.
3. Check continuity between rear power window switch LH connector D203 (A) terminals 4, 5 and rear power window motor LH connector D204 (B) terminals 1, 2.

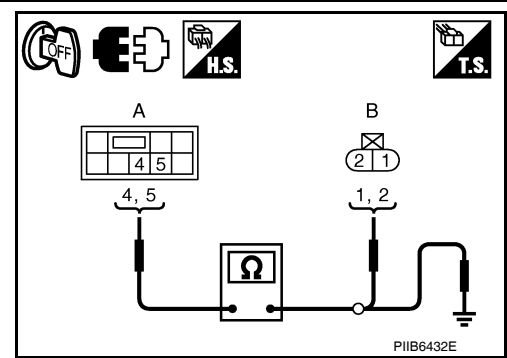
4 - 1 : Continuity should exist.

5 - 2 : Continuity should exist.

4. Check continuity between rear power window switch LH connector D203 (A) terminals 4, 5 and ground.

4 - Ground : Continuity should not exist.

5 - Ground : Continuity should not exist.



OK or NG

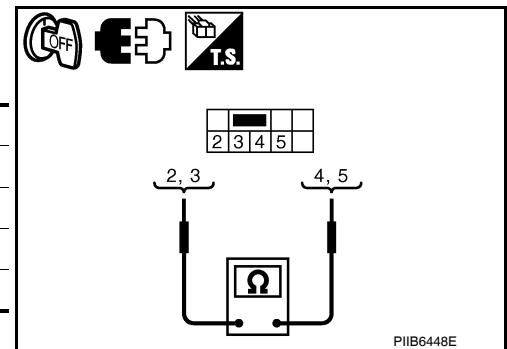
OK >> GO TO 3.

NG >> Repair or replace harness.

3. CHECK POWER WINDOW SWITCH

1. Check continuity between rear power window switch LH terminals.

	Terminals		Condition	Continuity
	Rear power window switch LH	2	5	UP
Other than above				Yes
3		4	DOWN	No
			Other than above	Yes



OK or NG

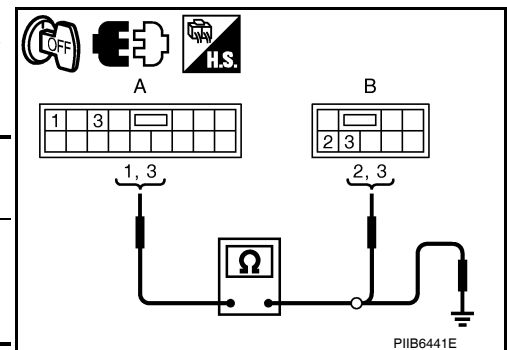
OK >> GO TO 4.

NG >> Replace rear power window switch LH. Refer to [EI-30. "Removal and Installation"](#).

4. CHECK REAR POWER WINDOW SWITCH LH CIRCUIT

1. Disconnect main power window and door lock/unlock switch.
2. Check continuity between power window main switch connector (A) and rear power window switch LH connector (B).

Connector	Terminal	Connector	Terminal	Continuity
A		B		
Main power window and door lock/unlock switch: D7	1	Rear power window switch LH: D203	2	Yes
	3		3	



3. Check continuity power window main switch connector (A) and ground.

Connector	Terminal		Continuity
A		Ground	No
Main power window and door lock/unlock switch: D7	1		
		3	

OK or NG

OK >> Replace main power window and door lock/unlock switch. Refer to [EI-30. "Removal and Installation"](#).

NG >> Repair or replace harness.

POWER WINDOW SYSTEM

< SERVICE INFORMATION >

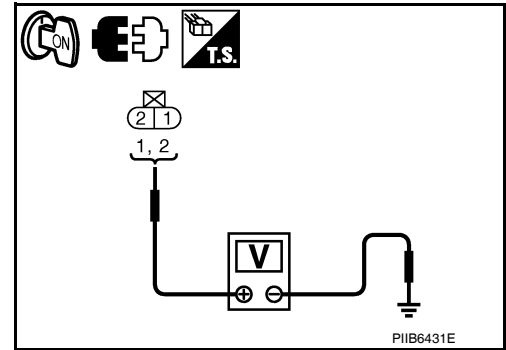
Rear Power Window Motor RH Circuit Inspection

INFOID:000000007330185

1. CHECK REAR POWER WINDOW SWITCH RH OUTPUT SIGNAL

1. Turn ignition switch OFF.
2. Disconnect rear power window motor RH.
3. Turn ignition switch ON.
4. Check voltage between rear power window motor RH connector and ground.

Connector	Terminals		Condition	Voltage (V) (Approx.)
	(+)	(-)		
Rear power window motor RH: D304	1	Ground	UP	0
			DOWN	Battery voltage
	2		UP	Battery voltage
			DOWN	0



OK or NG

- OK >> Replace rear power window motor RH. Refer to [GW-46](#).
 NG >> GO TO 2.

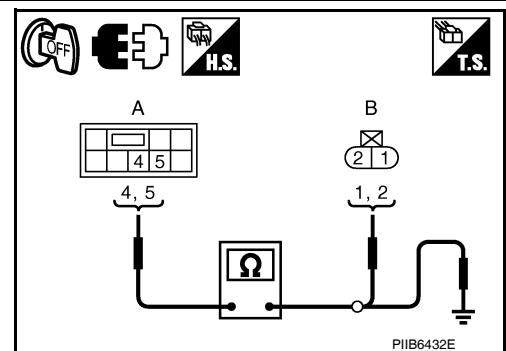
2. CHECK REAR POWER WINDOW MOTOR RH CIRCUIT

1. Turn ignition switch OFF.
2. Disconnect rear power window switch RH.
3. Check continuity between rear power window switch RH connector D303 (A) terminals 4, 5 and rear power window motor RH connector D304 (B) terminals 1, 2.

- 4 - 1 : Continuity should exist.**
5 - 2 : Continuity should exist.

4. Check continuity between rear power window switch RH connector D303 (A) terminals 4, 5 and ground.

- 4 - Ground : Continuity should not exist.**
5 - Ground : Continuity should not exist.



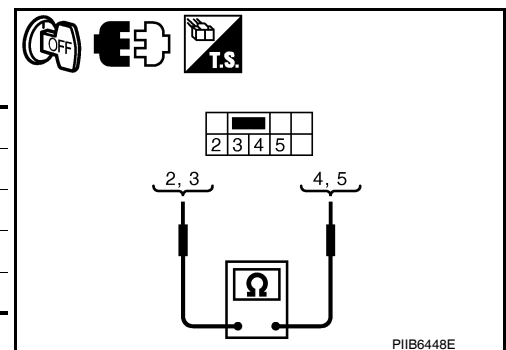
OK or NG

- OK >> GO TO 3.
 NG >> Repair or replace harness.

3. CHECK POWER WINDOW SWITCH

1. Check continuity between rear power window switch RH terminals.

Rear power window switch RH	Terminals		Condition	Continuity	
	2	5			
				UP	No
				Other than above	Yes
			DOWN	No	
			Other than above	Yes	



OK or NG

- OK >> GO TO 4.
 NG >> Replace rear power window switch RH. Refer to [EI-30, "Removal and Installation"](#).

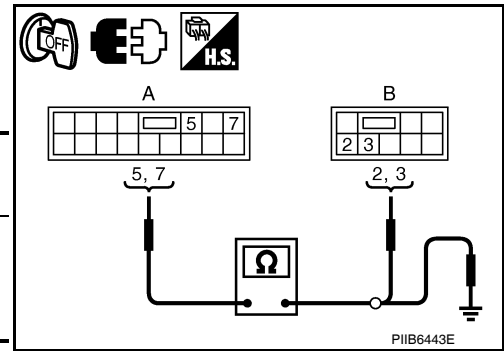
4. CHECK REAR POWER WINDOW SWITCH RH CIRCUIT

POWER WINDOW SYSTEM

< SERVICE INFORMATION >

1. Disconnect main power window and door lock/unlock switch.
2. Check continuity between power window main switch connector (A) and rear power window switch RH connector (B).

Connector	Terminal	Connector	Terminal	Continuity
A		B		
Main power window and door lock/unlock switch D7	5	Rear power window switch RH D303	3	Yes
	7		2	



3. Check continuity power window main switch connector (A) and ground.

Connector	Terminal	Ground	Continuity
A			
Main power window and door lock/unlock switch D7	5	Ground	No
	7		

OK or NG

- OK >> Replace main power window and door lock/unlock switch. Refer to [EI-30, "Removal and Installation"](#).
- NG >> Repair or replace harness.

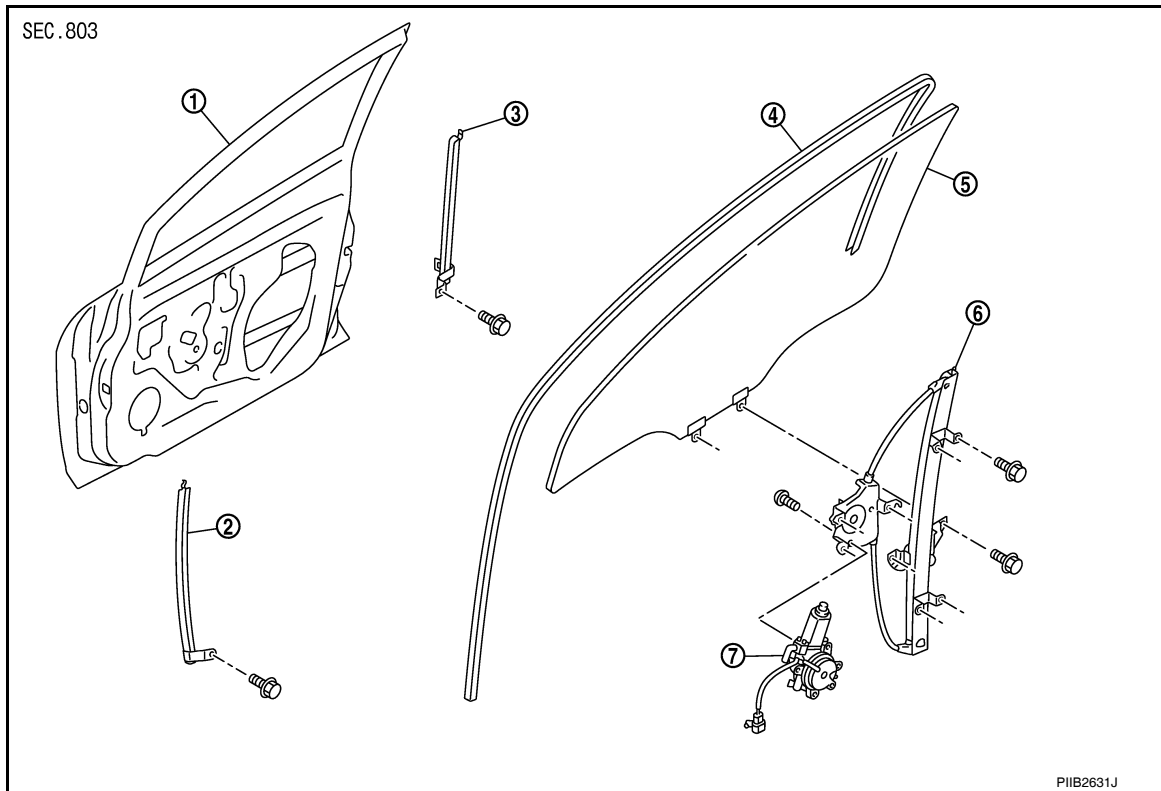
FRONT DOOR GLASS AND REGULATOR

< SERVICE INFORMATION >

FRONT DOOR GLASS AND REGULATOR

Removal and Installation

INFOID:000000007330186



- | | | |
|-----------------------|-----------------------|-----------------------|
| 1. Door panel | 2. Lower sash (front) | 3. Lower sash (rear) |
| 4. Door glass run | 5. Door glass | 6. Regulator assembly |
| 7. Power window motor | | |

DOOR GLASS

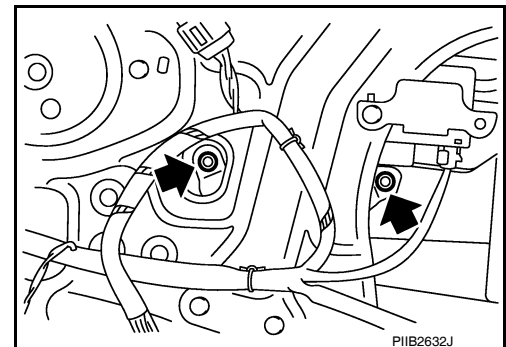
Removal

1. Remove the front door finisher. Refer to [EI-30. "Removal and Installation"](#).
2. Disconnect the front door speaker harness connector.
3. Position aside vapor barrier.

NOTE:

If the vapor barrier is reused, cut the butyl-tape so that a part of butyl-tape remains on the vapor barrier.

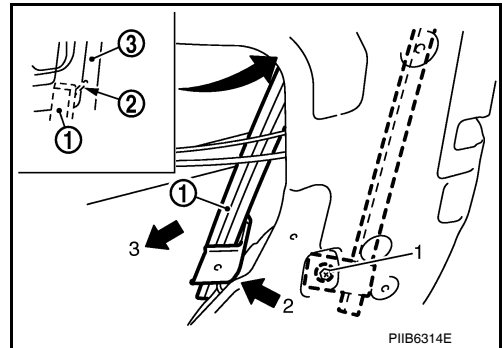
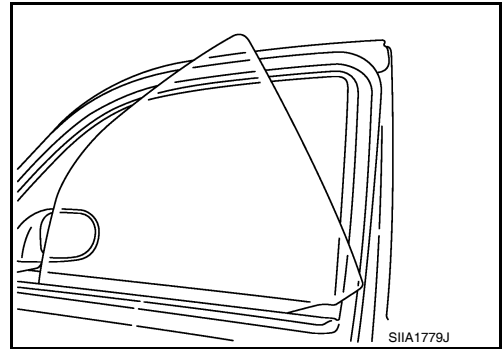
4. Temporarily reconnect the power window switch to operate the window.
5. Raise or lower the window until the glass bolts can be seen.
6. Remove the door glass bolts.



FRONT DOOR GLASS AND REGULATOR

< SERVICE INFORMATION >

7. While holding the door window, raise it at the rear end to pull the glass out of the sash toward the inside of the door.
8. Remove the lower sash (rear) bolt, move the lower end portion ahead of the door panel.(3) and pull out the insertion (2) of the upper end from the door panel to remove the lower sash (rear)(1).



9. Remove the lower sash (front) bolt and pull out the lower sash (front) just downward to remove it.
10. Remove the door glass run from the door panel.

Installation

Installation is in the reverse order of removal.

REGULATOR ASSEMBLY

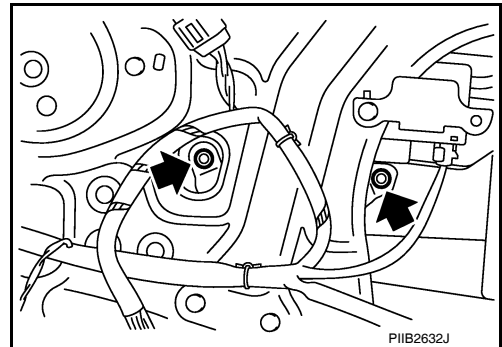
Removal

1. Remove the front door finisher. Refer to [EI-30, "Removal and Installation"](#).
2. Disconnect the harness connector for the front speaker
3. Position aside the vapor barrier.

NOTE:

If vapor barrier is reused, cut the butyl-tape so that a part of butyl-tape remains on the vapor barrier.

4. Temporarily reconnect the power window switch to operate the window.
5. Raise or lower the window until the glass bolts can be seen.
6. Remove the door glass bolts.

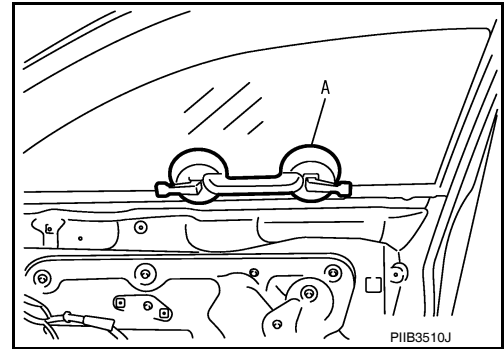


A
B
C
D
E
F
G
H
GW
J
K
L
M
N
O
P

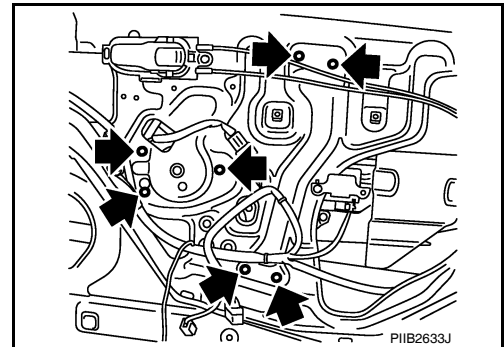
FRONT DOOR GLASS AND REGULATOR

< SERVICE INFORMATION >

7. Raise the door glass and hold with a suction lifter A.



8. Disconnect the harness connector from the regulator assembly.
9. Remove the regulator assembly bolts, and then remove the regulator assembly.



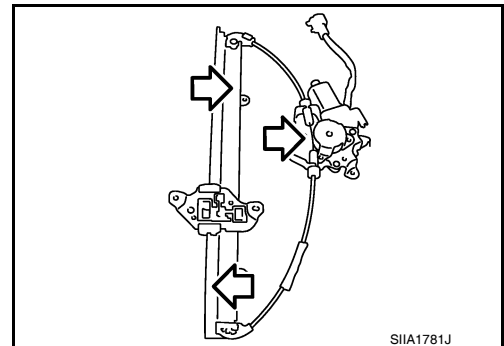
Installation

Installation is in the reverse order of removal.

Inspection after Removal

Check the regulator assembly for the following. [If a problem is detected, grease or replace it as shown].

- Wire wear
- Regulator deformation
- Grease condition for each sliding part



Disassembly and Assembly

INFOID:000000007330187

POWER WINDOW REGULATOR ASSEMBLY

Disassembly

Remove the power window motor from the regulator assembly.

Assembly

Assembly is in the reverse order of disassembly.

Inspection after Installation

INFOID:000000007330188

POWER WINDOW SYSTEM INITIALIZATION

Initialize power window system Refer to: [GW-29. "Power Window Auto Operation Initialization"](#)

INSPECT THE FUNCTION OF THE ANTI-PINCH SYSTEM

1. Fully open the door glass.
2. Place a wooden piece (wooden hammer handle, etc.) near the fully closed position.
3. Carry out fully closing operation with auto up switch.

FRONT DOOR GLASS AND REGULATOR

< SERVICE INFORMATION >

- Check that the glass reverses without pinching the wooden piece, is lowered approx. 150 mm (5.91 in) or for 2 seconds and then stops. A
- The glass should not be raised with power window main switch while it is reversing or lowering.

CAUTION:

- **Use care to avoid being pinched during the inspection. Do not use a hand, etc. in place of the wooden piece during the inspection.** B
- **Check that auto up function is normal before inspection, following the system initialization.**

FITTING INSPECTION

- Make sure the glass is securely fit into the glass run groove. C
- Lower the glass slightly [approx. 10 to 20 mm (0.39 to 0.79 in)] and make sure the clearance to the sash is parallel. If the clearance between the glass and sash is not parallel, loosen the regulator bolts, guide rail bolts, and the glass and guide rail bolts to correct the glass position. D
- Make sure the system is normal with raising and lowering the glass. E

A

B

C

D

E

F

G

H

GW

J

K

L

M

N

O

P

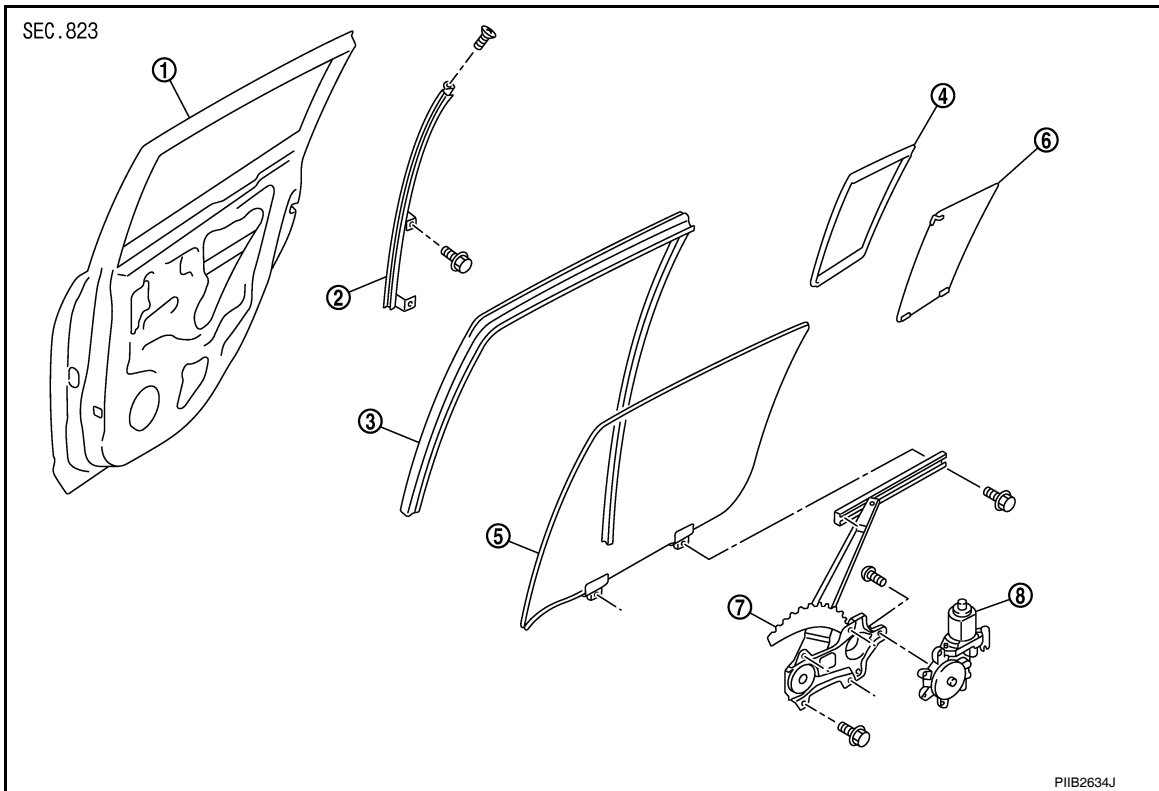
REAR DOOR GLASS AND REGULATOR

< SERVICE INFORMATION >

REAR DOOR GLASS AND REGULATOR

Removal and Installation

INFOID:000000007330189



- | | | |
|---------------------------------|-----------------------|--------------------|
| 1. Door panel | 2. Partition sash | 3. Door glass run |
| 4. Partition glass weatherstrip | 5. Door glass | 6. Partition glass |
| 7. Regulator assembly | 8. Power window motor | |

DOOR GLASS

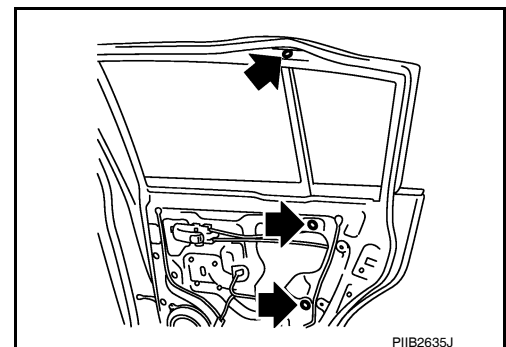
Removal

1. Remove the rear door finisher. Refer to [EI-30. "Removal and Installation"](#).
2. Disconnect the harness connector of rear door speaker.
3. Position aside the vapor barrier.

NOTE:

If the vapor barrier is reused, cut the butyl-tape so that a part of the butyl-tape remains on the vapor barrier.

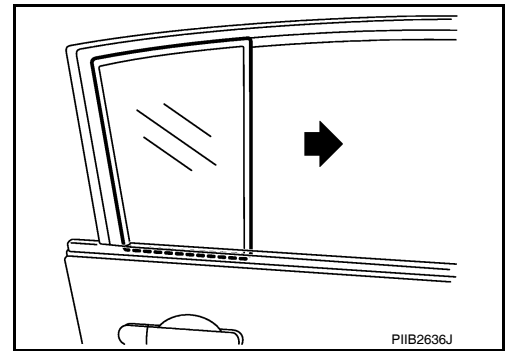
4. Remove partition sash bolt and screw, pull the partition sash downward and tilt the upper end of the sash forward to pull out the sash upward.



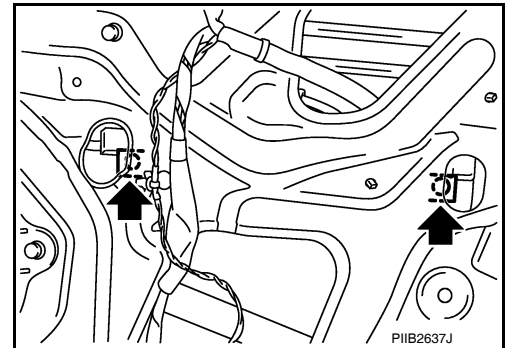
REAR DOOR GLASS AND REGULATOR

< SERVICE INFORMATION >

5. Pull out the partition glass in the direction as shown.



6. Temporarily reconnect the power window switch to operate the windows.
7. Raise or lower until lower glass bolts can be seen.
8. Remove the rear door glass bolts.
9. Pull out the rear door glass toward the outside of the door to remove.



10. Remove the door glass run from the door panel.

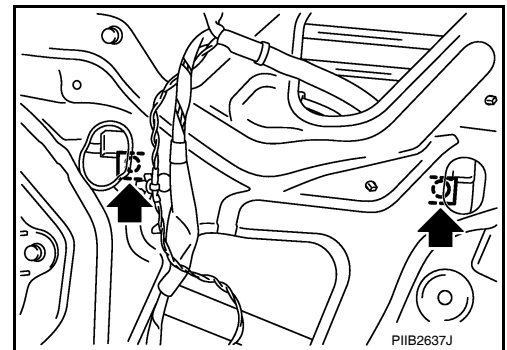
Installation

Installation is in the reverse order of removal.

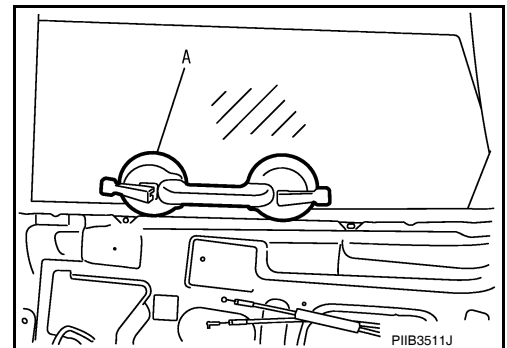
REGULATOR ASSEMBLY

Removal

1. Remove and position aside the rear door finisher. Refer to [EI-30, "Removal and Installation"](#).
2. Disconnect the harness connector of rear speaker.
3. Position aside the vapor barrier.
4. Temporarily reconnect the power window switch to operate the windows.
5. Raise or lower until lower glass bolts can be seen.
6. Remove the rear door glass bolts.



7. Raise up the door glass and hold with a suction lifter A.

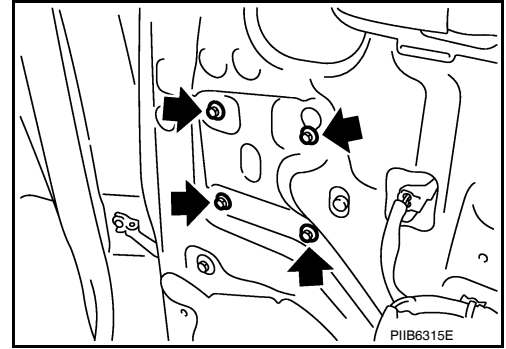


A
B
C
D
E
F
G
H
GW
J
K
L
M
N
O
P

REAR DOOR GLASS AND REGULATOR

< SERVICE INFORMATION >

8. Remove the regulator bolts, and then remove the regulator assembly from the door panel.



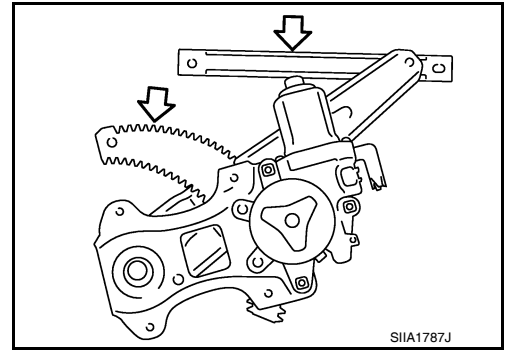
Installation

Installation is in the reverse order of removal.

Inspection after Removal

Check the regulator assembly for the following. [If a problem is detected, grease or replace it as shown].

- Gear wear
- Regulator deformation
- Grease condition for each sliding part



Disassembly and Assembly

INFOID:000000007330190

POWER WINDOW REGULATOR ASSEMBLY

Disassembly

Remove the power window motor from the regulator assembly.

Assembly

Assembly is in the reverse order of disassembly.

Inspection after Installation

INFOID:000000007330191

FITTING INSPECTION

- Make sure the glass is securely fit into the glass run groove.
- Lower the glass slightly [approx. 10 to 20 mm (0.39 to 0.79 in)], and make sure the clearance to the sash is parallel. If the clearance between the glass and sash is not parallel, loosen the regulator bolts, guide rail bolts, and glass and carrier plate bolts to correct the glass position.

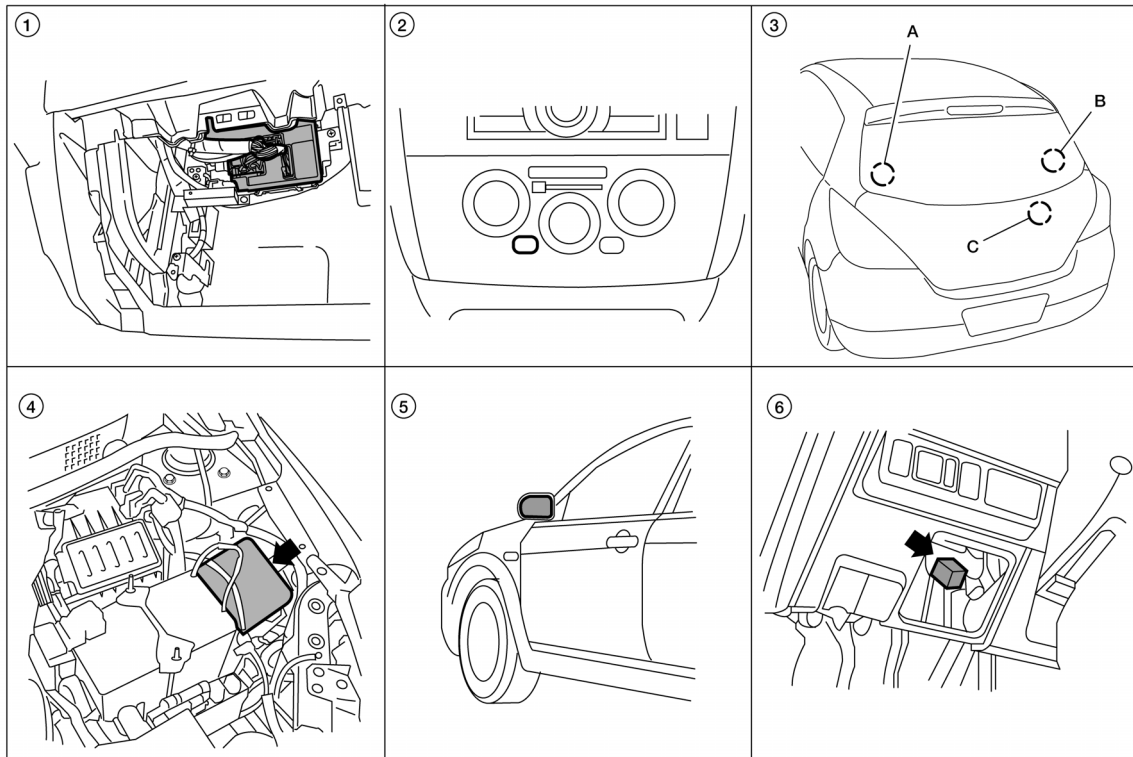
REAR WINDOW DEFOGGER

< SERVICE INFORMATION >

REAR WINDOW DEFOGGER

Component Parts and Harness Connector Location

INFOID:000000007330192



1. BCM M18, M20 (view with glove box removed)
2. Front air control M33
3. A. Rear window defogger ground connector D413
B. Rear window defogger connector D412
C. Condenser-1 D409, D411
4. IPDM E/R E46, E48
5. Door mirror LH D4, RH D107 (with heated mirrors)
6. Heated mirror relay M48 (with heated mirrors)

AWKIA1851ZZ

System Description

INFOID:000000007330193

The rear window defogger system is controlled by BCM (body control module) and IPDM E/R (intelligent power distribution module engine room).

The rear window defogger only operates for approximately 15 minutes.

Power is supplied at all times

- through 15A fuses (No. 46 and 47, located in the IPDM E/R)
- to rear window defogger relay
- through 10A fuse [No. 12 (with heated mirrors), located in the fuse block (J/B)]
- to heated mirror relay terminal 3
- through 40A fusible link (letter **g**, located in the fuse and fusible link box)
- to BCM terminal 70.

With the ignition switch turned to ON or START position, power is supplied

- through ignition relay
- to rear window defogger relay (located in the IPDM E/R)
- through 10A fuse [No. 6, located in the fuse block (J/B)]
- to BCM terminal 38.

Ground is supplied

REAR WINDOW DEFOGGER

< SERVICE INFORMATION >

- to BCM terminal 67 and
- to front air control terminal 8
- through body grounds M57 and M61
- to IPDM E/R terminals 39 and 59
- through body grounds E15 and E24.

When front air control (rear window defogger switch) is turned to ON, ground is supplied

- to BCM terminal 9
- through front air control terminal 3
- through front air control terminal 8
- through body grounds M57 and M61.

Then rear window defogger switch is illuminated.

Then BCM recognizes that rear window defogger switch is turned to ON.

Then it sends rear window defogger switch signals to IPDM E/R via CAN communication (CAN-H, CAN-L).

When IPDM E/R receives rear window defogger switch signals, ground is supplied

- to rear window defogger relay (located in the IPDM E/R)
- through IPDM E/R terminals 39 and 59
- through body grounds E15 and E24

Then rear window defogger relay is energized.

With power and ground supplied, rear window defogger filaments heat and defog the rear window.

When rear window defogger relay is turned to ON (with heated mirrors), power is supplied

- through heated mirror relay terminal 5
- to door mirror (LH and RH) terminal 1.

Door mirror (LH and RH) is grounded through body grounds M57 and M61.

With power and ground supplied, rear window defogger filaments heat and defog the rear window and door mirror filaments heat and defog the mirrors.

CAN Communication System Description

INFOID:000000007330194

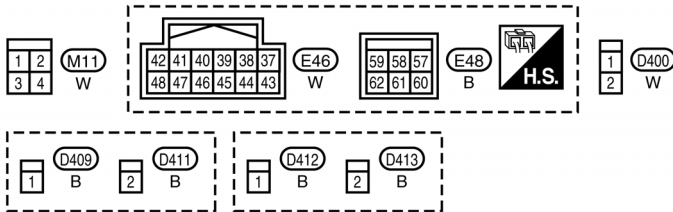
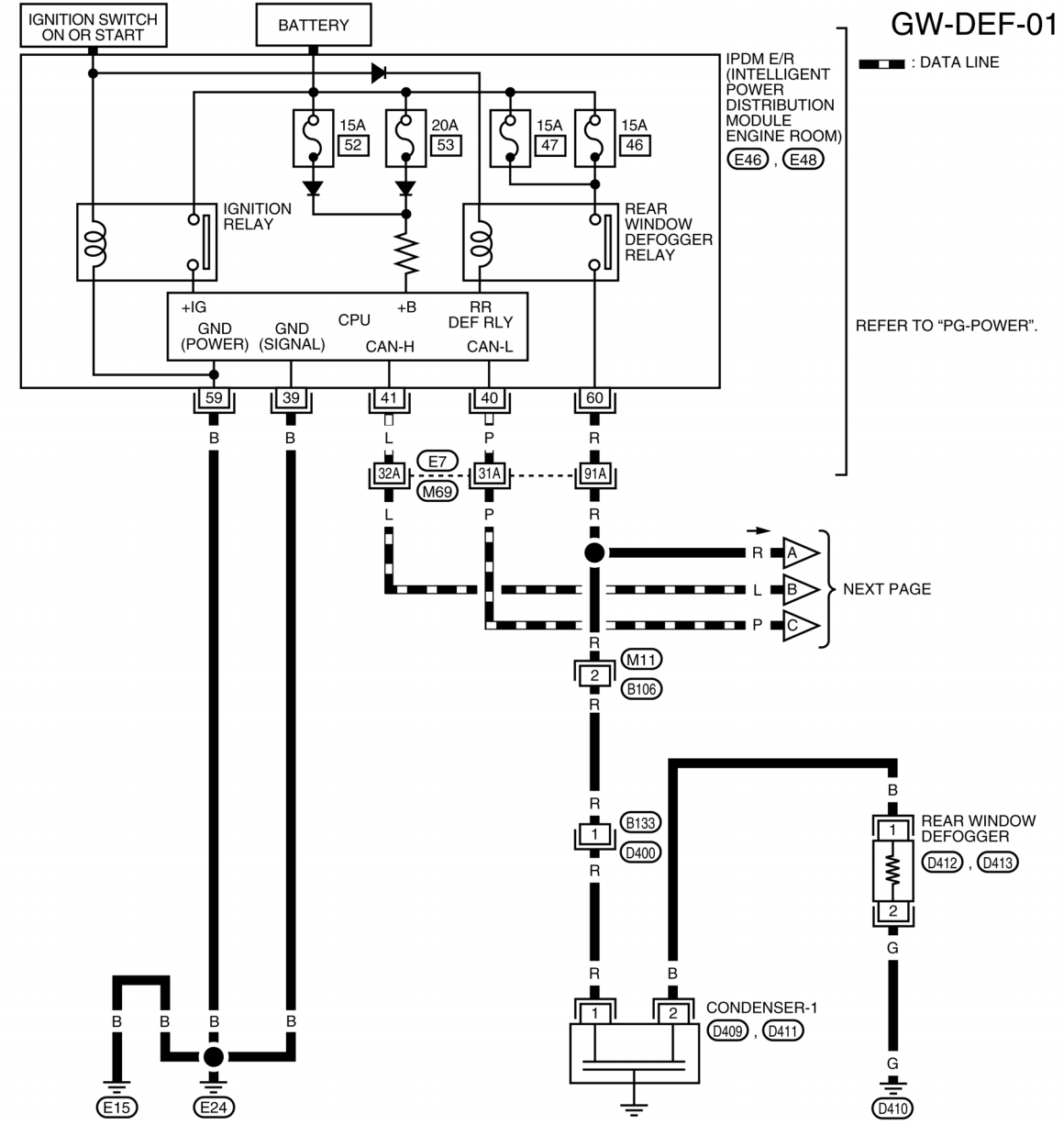
Refer to [LAN-5. "System Description"](#).

REAR WINDOW DEFOGGER

< SERVICE INFORMATION >

Wiring Diagram - DEF -

INFOID:000000007330195

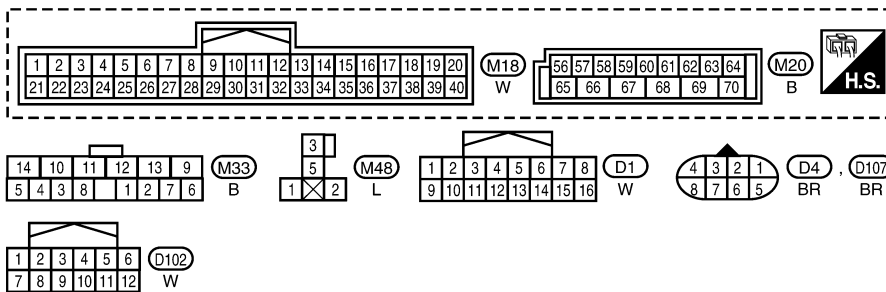
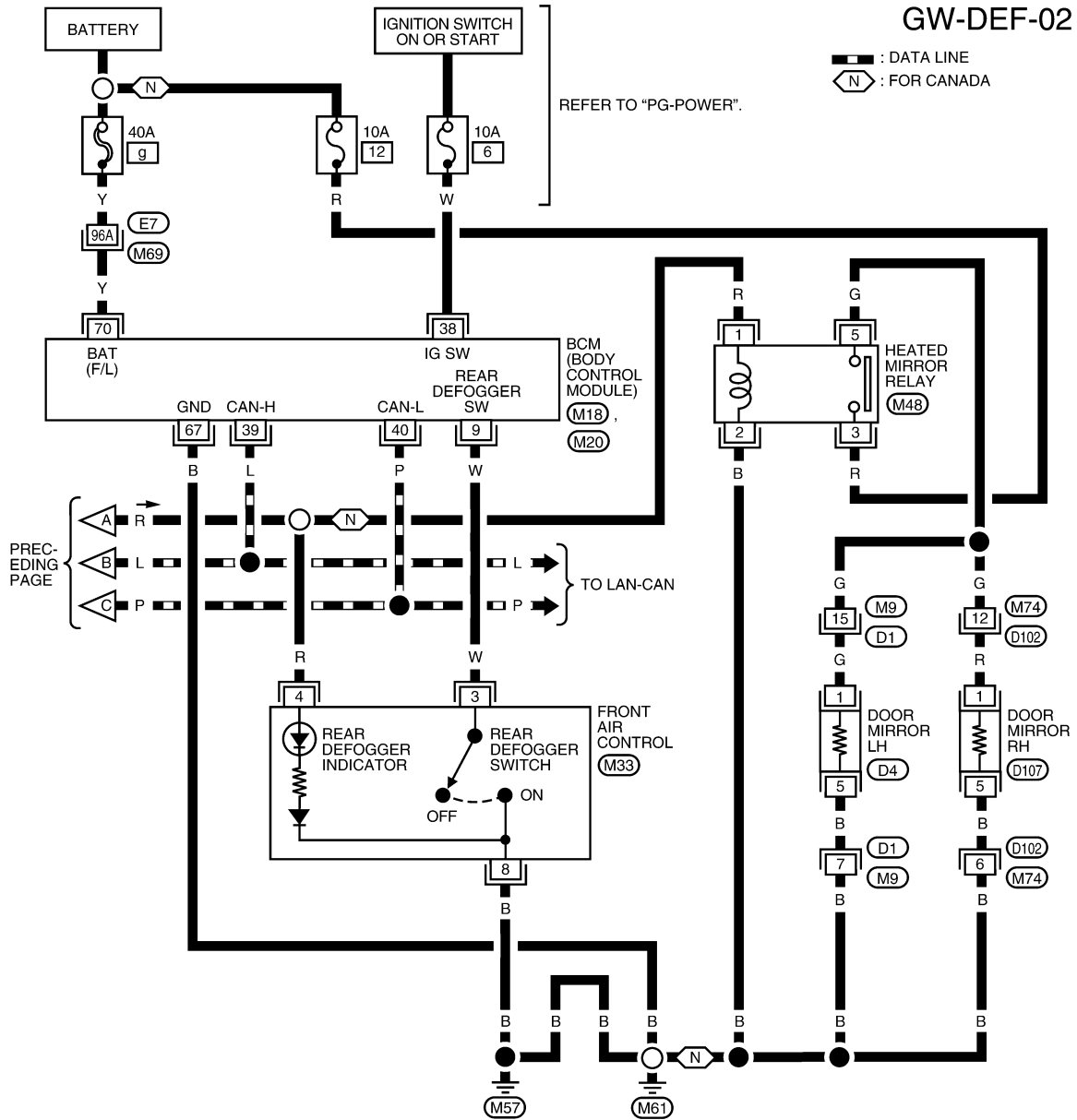


REFER TO THE FOLLOWING.
 (M69) - SUPER MULTIPLE JUNCTION (SMJ)

AAKWA0402GB

REAR WINDOW DEFOGGER

< SERVICE INFORMATION >



REFER TO THE FOLLOWING.
 (M69) - SUPER MULTIPLE JUNCTION (SMJ)

ABKWA1039GB

REAR WINDOW DEFOGGER

< SERVICE INFORMATION >

Terminal and Reference Value for BCM

INFOID:000000007330196

Refer to [BCS-12, "Terminal and Reference Value for BCM"](#).

Terminal and Reference Value for IPDM E/R

INFOID:000000007330197

Refer to [PG-24, "Terminal and Reference Value for IPDM E/R"](#).

Work Flow

INFOID:000000007330198

1. Check the symptom and customer's requests.
2. Understand the outline of system. Refer to [GW-49, "System Description"](#).
3. According to the trouble diagnosis chart, repair or replace the cause of the malfunction. Refer to [GW-53, "Trouble Diagnosis Symptom Chart"](#).
4. Does rear window defogger operate normally? YES: GO TO 5, NO: GO TO 3.
5. Inspection End.

CONSULT Function (BCM)

INFOID:000000007330199

CONSULT can display each diagnostic item using the diagnostic test modes shown following.

BCM diagnostic test item	Diagnostic mode	Content
Inspection by part	WORK SUPPORT	Supports inspections and adjustments. Commands are transmitted to the BCM for setting the status suitable for required operation, input/output signals are received from the BCM and received data is displayed.
	DATA MONITOR	Displays BCM input/output data in real time.
	ACTIVE TEST	Operation of electrical loads can be checked by sending drive signal to them.
	SELF DIAGNOSTIC RESULT	Displays BCM self-diagnosis results.
	CAN DIAG SUPPORT MNTR	The results of transmit/receive diagnosis of CAN communication can be read.
	ECU IDENTIFICATION	BCM part number can be read.
	CONFIGURATION	Performs BCM configuration read/write functions.

DATA MONITOR

Display Item List

Monitor item "Operation"	Content
REAR DEF SW	"ON/OFF" Indicates (ON/OFF) condition of the rear window defogger switch.
IGN ON SW	"ON/OFF" Indicates (ON/OFF) condition of the ignition switch signal.

ACTIVE TEST

Display Item List

Test item	Content
REAR WINDOW DEFOGGER	Gives a drive signal to the rear window defogger to activate it.

Trouble Diagnosis Symptom Chart

INFOID:000000007330200

Make sure other systems using the signal of the following systems operate normally.

REAR WINDOW DEFOGGER

< SERVICE INFORMATION >

Symptom	Diagnoses / Service procedure	Refer to page
Rear window defogger and door mirror defoggers do not operate. (With heated mirrors)	1. BCM power supply and ground circuit check	BCS-16
	2. IPDM E/R auto active test check	PG-20
	3. Rear window defogger switch circuit check	GW-54
	4. Replace IPDM E/R	PG-27
Rear window defogger does not operate. (Without heated mirrors)	1. BCM power supply and ground circuit check	BCS-16
	2. IPDM E/R auto active test check	PG-20
	3. Rear window defogger switch circuit check	GW-54
	4. Rear window defogger circuit check	GW-55
	5. Filament check	GW-59
	7. Replace IPDM E/R	PG-27
Rear window defogger does not operate but both door mirror defoggers operate. (With heated mirrors)	1. Rear window defogger circuit check	GW-55
	2. Filament check	GW-59
Door mirror defoggers do not operate but rear window defogger operates. (With heated mirrors)	1. Door mirror defogger circuit check	GW-57
Rear window defogger switch does not light, but rear window defogger operates.	1. Replace front air control	MTC-56

BCM Power Supply and Ground Circuit Inspection

INFOID:000000007330201

Refer to [BCS-16, "BCM Power Supply and Ground Circuit Inspection"](#).

Rear Window Defogger Switch Circuit Inspection

INFOID:000000007330202

1. CHECK REAR WINDOW DEFOGGER SWITCH OPERATION

With CONSULT

Check ("REAR DEF SW", "IGN ON SW") in DATA MONITOR mode with CONSULT.

When rear window defogger switch is turned to ON

REAR DEF SW : ON

When ignition switch is turned to ON

IGN ON SW : ON

Without CONSULT

- Turn ignition switch ON.
- Check voltage between BCM connector and ground.

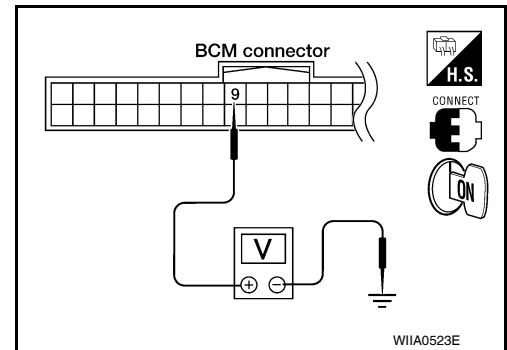
Connector	Terminals		Condition	Voltage (V) (Approx.)
	(+)	(-)		
M18	9	Ground	Rear window defogger switch is pressed	0
			Rear window defogger switch is released	5

OK or NG

OK >> Rear window defogger switch check is OK.

NG >> GO TO 2.

2. CHECK REAR WINDOW DEFOGGER SWITCH CIRCUIT HARNESS CONTINUITY



REAR WINDOW DEFOGGER

< SERVICE INFORMATION >

1. Turn ignition switch OFF.
2. Disconnect BCM and front air control.
3. Check continuity between BCM connector M18 (A) terminal 9 and front air control connector M33 (B) terminal 3.

9 - 3 : Continuity should exist.

4. Check continuity between BCM connector M18 (A) terminal 9 and ground

9 - Ground : Continuity should not exist.

OK or NG

- OK >> GO TO 3.
- NG >> Repair or replace harness.

3.CHECK REAR WINDOW DEFOGGER SWITCH

Check continuity between front air control terminals.

Terminals		Condition	Continuity
3	8	Rear window defogger switch is ON (pressed)	Yes
		Rear window defogger switch is OFF (released)	No

OK or NG

- OK >> GO TO 4.
- NG >> Replace front air control. Refer to [MTC-56. "Removal and Installation"](#).

4.CHECK REAR WINDOW DEFOGGER SWITCH GROUND

Check continuity between front air control connector M33 terminal 8 and ground.

Connector	Terminal	Ground	Continuity
M33	8		Yes

OK or NG

- OK >> GO TO 5.
- NG >> Repair or replace harness.

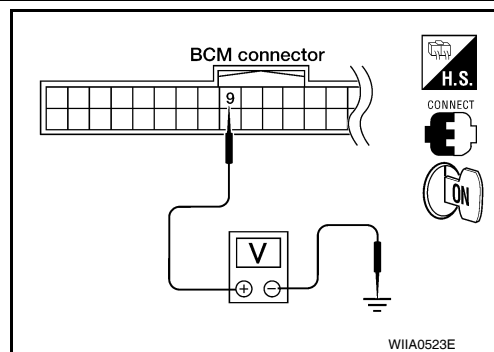
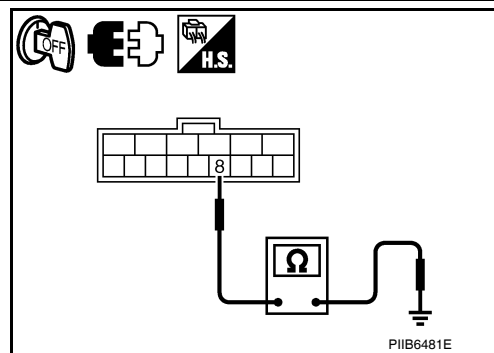
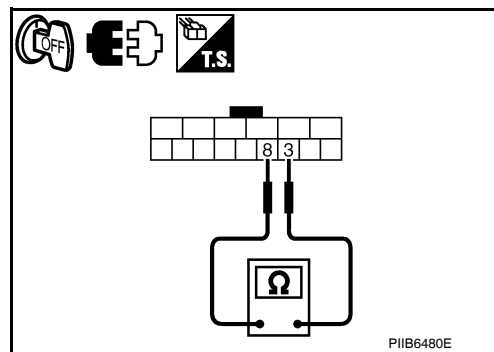
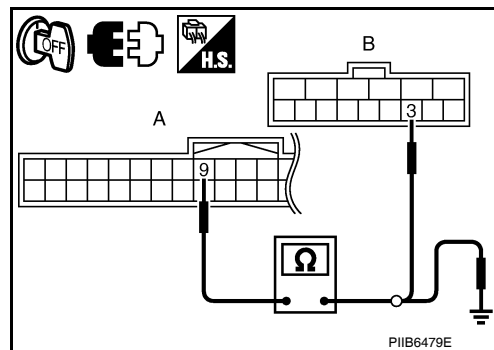
5.CHECK BCM OUTPUT SIGNAL

1. Connect BCM.
2. Turn ignition switch ON.
3. Check voltage between BCM connector M18 terminal 9 and ground.

9 - Ground : Approx. 5V

OK or NG

- OK >> Replace front air control. Refer to [MTC-56](#).
- NG >> Replace BCM. Refer to [BCS-19. "Removal and Installation of BCM"](#).



Rear Window Defogger Circuit Inspection

1.CHECK FUSES

Check if any of the following fuses in IPDM E/R are blown.

REAR WINDOW DEFOGGER

< SERVICE INFORMATION >

Component Parts	Ampere	Fuse No.
IPDM E/R	15A	46
IPDM E/R	15A	47

OK or NG

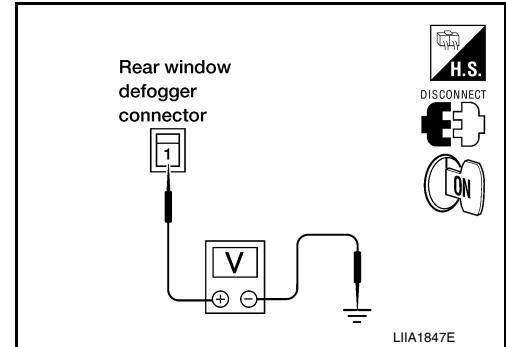
OK >> GO TO 2.

NG >> If fuse is blown, be sure to eliminate cause of malfunction before installing new fuse.

2. CHECK REAR WINDOW DEFOGGER POWER SUPPLY CIRCUIT

1. Turn ignition switch OFF.
2. Disconnect rear window defogger.
3. Turn ignition switch ON.
4. Check voltage between rear window defogger connector and ground.

Connector	Terminals		Condition	Voltage (V) (Approx.)
	(+)	(-)		
D412	1	Ground	Rear window defogger switch ON	Battery voltage
			Rear window defogger switch OFF	0



OK or NG

OK >> GO TO 3.

NG >> GO TO 4.

3. CHECK REAR WINDOW DEFOGGER GROUND CIRCUIT

1. Turn ignition switch OFF.
2. Check continuity between rear window defogger connector D413 terminal 2 and ground.

2 - Ground : Continuity should exist.

OK or NG

- OK >> Check filament. Refer to [GW-59, "Filament Check"](#).
- If filament is OK. Check the condition of the harness and the connector.
 - If filament is NG. Repair filament. Refer to [GW-60, "Filament Repair"](#).

NG >> Repair or replace harness.

4. CHECK CONDENSER-1 CIRCUIT

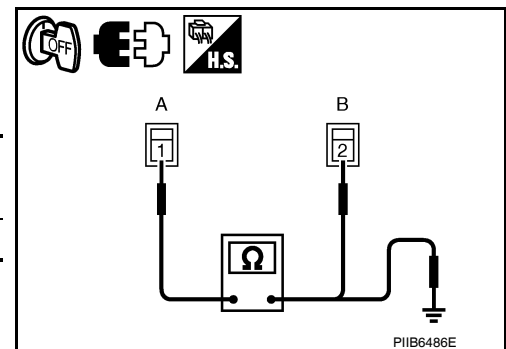
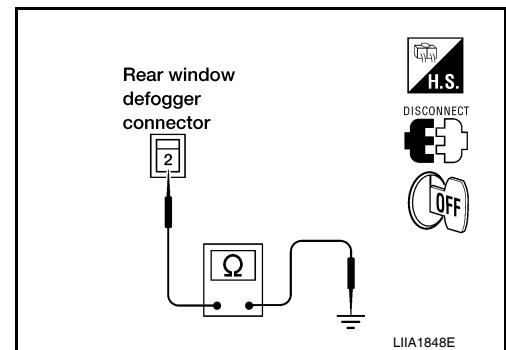
1. Disconnect condenser-1.
2. Check continuity between rear window defogger connector (A) and condenser-1 connector (B).

A		B		Continuity
Connector	Terminal	Connector	Terminal	
D412	1	D411	2	Yes

3. Check continuity between rear window defogger connector (A) and ground.

A		Ground	Continuity
Connector	Terminal		
D412	1		No

OK or NG



REAR WINDOW DEFOGGER

< SERVICE INFORMATION >

- OK >> GO TO 5.
- NG >> Repair or replace harness.

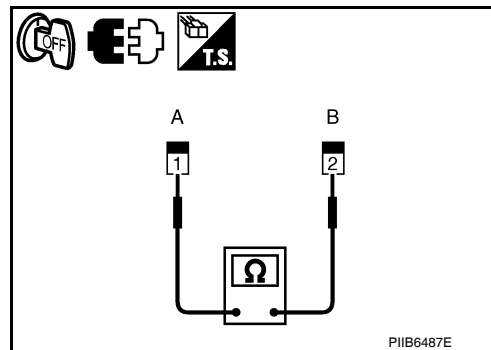
5. CHECK CONDENSER-1

Check continuity between condenser-1 (A) and (B) terminals.

A		B		Continuity
Connector	Terminal	Connector	Terminal	
D409	1	E48	2	Yes

OK or NG

- OK >> GO TO 6.
- NG >> Replace condenser-1.



6. CHECK CONDENSER-1 HARNESS CONTINUITY

1. Disconnect IPDM E/R.
2. Check continuity between condenser-1 connector (A) and IPDM E/R connector (B).

A		B		Continuity
Connector	Terminal	Connector	Terminal	
D409	1	E48	60	Yes

3. Check continuity between condenser-1 connector (A) and ground.

A		Ground	Continuity
Condenser-1 connector	Terminal		
D409	1		No

OK or NG

- OK >> GO TO 7.
- NG >> Repair or replace harness.

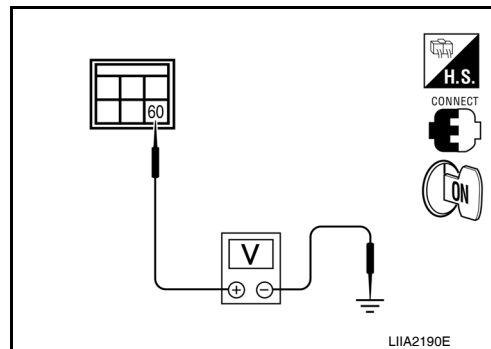
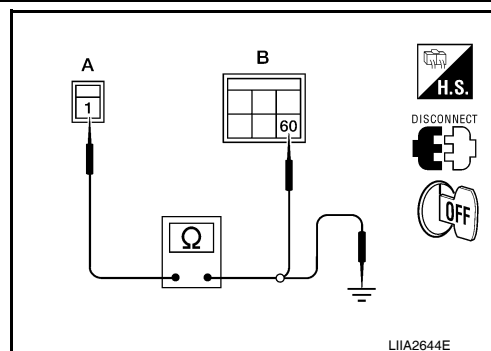
7. CHECK REAR WINDOW DEFOGGER RELAY OUTPUT SIGNAL

1. Connect IPDM E/R.
2. Turn ignition switch ON.
3. Check voltage between IPDM E/R connector and ground.

Connector	Terminals		Condition	Voltage (V) (Approx.)
	(+)	(-)		
E48	60	Ground	Rear window defogger switch ON	Battery voltage
			Rear window defogger switch OFF	0

OK or NG

- OK >> Check condition of harness and connector.
- NG >> Replace IPDM E/R. Refer to [PG-27, "Removal and Installation of IPDM E/R"](#).



Door Mirror Defogger Circuit Inspection

INFOID:000000007330204

1. CHECK FUSE

Check if the following fuse in the fuse block (J/B) is blown.

REAR WINDOW DEFOGGER

< SERVICE INFORMATION >

Component Parts	Ampere	Fuse No.
Fuse block (J/B)	10A	12

OK or NG

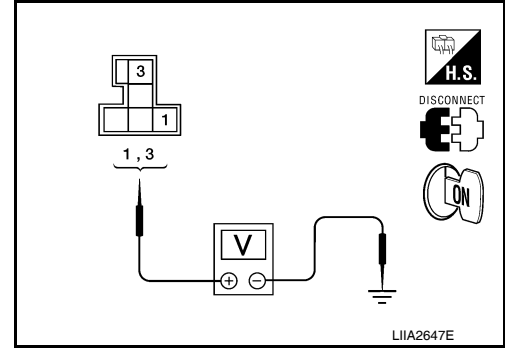
OK >> GO TO 2.

NG >> If fuse is blown, be sure to eliminate cause of malfunction before installing new fuse.

2. CHECK HEATED MIRROR RELAY POWER SUPPLY CIRCUIT

1. Disconnect heated mirror relay.
2. Turn ignition switch ON.
3. Check voltage between heated mirror relay connector and ground.

Connector	Terminals		Voltage (V) (Approx.)
	(+)	(-)	
M48	1	Ground	Battery voltage
	3		



OK or NG

OK >> GO TO 3.

NG >> Repair or replace harness.

3. CHECK HEATED MIRROR RELAY GROUND CIRCUIT

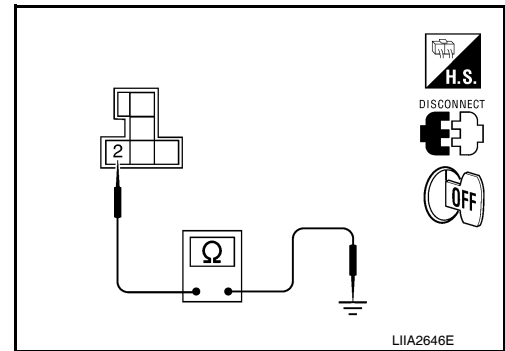
1. Turn ignition switch OFF.
2. Check continuity between heated mirror relay connector M48 terminal 2 and ground.

2 - Ground : Continuity should exist.

OK or NG

OK >> GO TO 4.

NG >> Repair or replace harness.



4. INSPECTION OF HEATED MIRROR RELAY

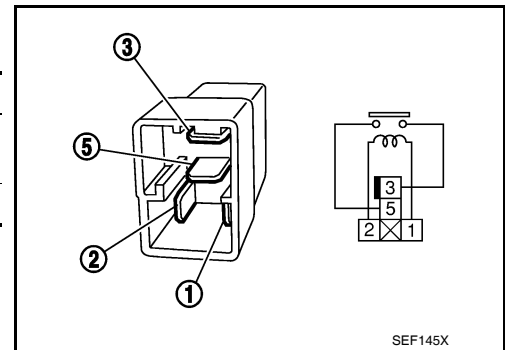
Check continuity between heated mirror relay terminals 3 and 5.

Condition	Continuity
12V direct current supply between terminals 1 and 2	Yes
No current supply	No

OK or NG

OK >> GO TO 5.

NG >> Replace heated mirror relay.



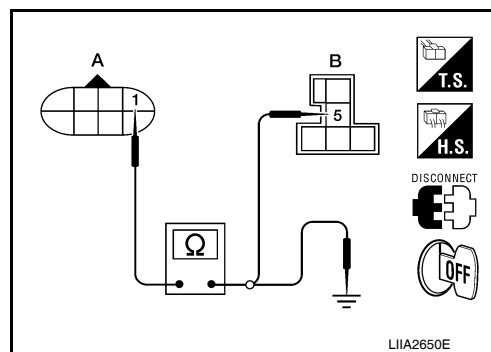
5. CHECK HARNESS CONTINUITY

REAR WINDOW DEFOGGER

< SERVICE INFORMATION >

1. Disconnect door mirror (LH or RH).
2. Check continuity between door mirror (LH or RH) connector (A) and heated mirror relay connector (B).

Connector	Terminal	Connector	Terminal	Continuity
A		B		
D4 (LH)	1	M48	5	Yes
D107 (RH)				



3. Check continuity between door mirror (LH or RH) connector (A) and ground.

A		Ground	Continuity
Connector	Terminal		
D4 (LH)	1	Ground	No
D107 (RH)			

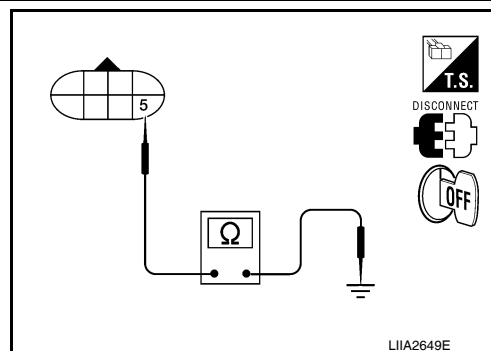
OK or NG

- OK >> GO TO 6.
- NG >> Repair or replace harness.

6. CHECK GROUND CIRCUIT

Check continuity between door mirror (LH or RH) connector and ground.

Connector	Terminals		Continuity
D4 (LH)	5	Ground	Battery voltage
D107 (RH)			



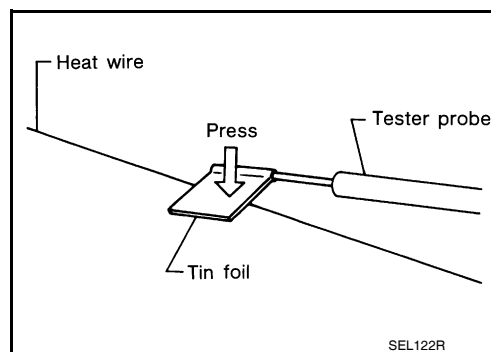
OK or NG

- OK >> Replace door mirror (LH or RH). Refer to [GW-63](#), "[Removal and Installation](#)".
- NG >> Repair or replace harness.

Filament Check

INFOID:000000007330205

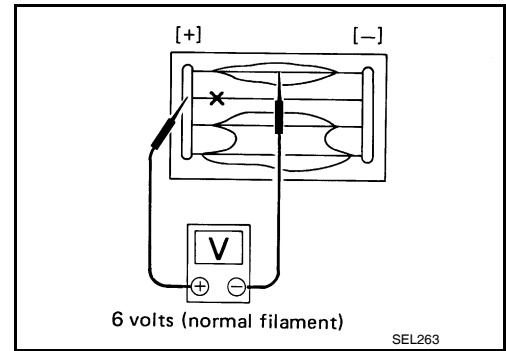
1. When measuring voltage, wrap tin foil around the top of the negative probe. Then press the foil against the wire with your finger.



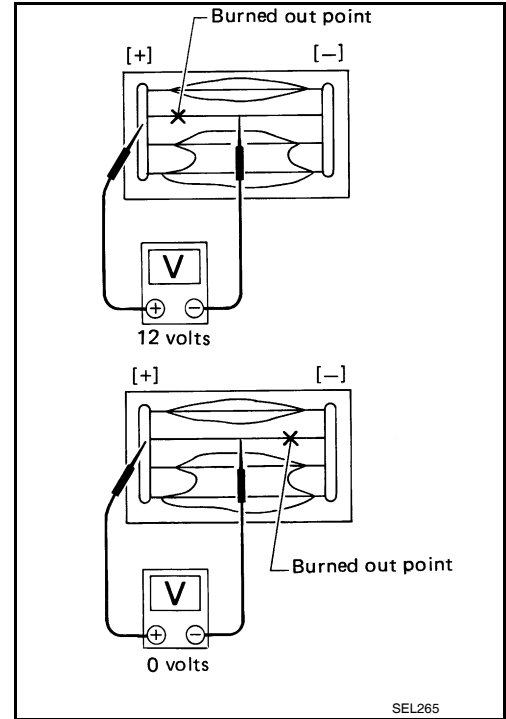
REAR WINDOW DEFOGGER

< SERVICE INFORMATION >

- Attach probe circuit tester (in Volt range) to middle portion of each filament.



- If a filament is burned out, circuit tester registers 0 or battery voltage.
- To locate burned out point, move probe to left and right along filament. Test needle will swing abruptly when probe passes the point.



Filament Repair

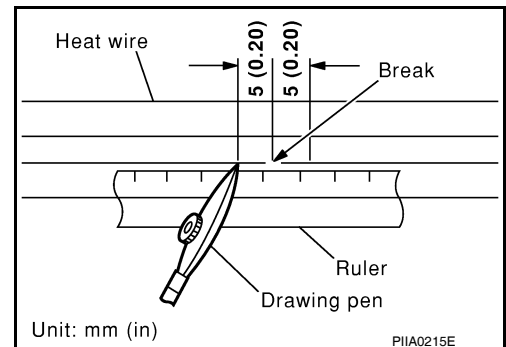
INFOID:000000007330206

REPAIR EQUIPMENT

- Conductive silver composition (DuPont No. 4817 or equivalent)
- Ruler 30 cm (11.8 in) long
- Drawing pen
- Heat gun
- Alcohol
- Cloth

REPAIRING PROCEDURE

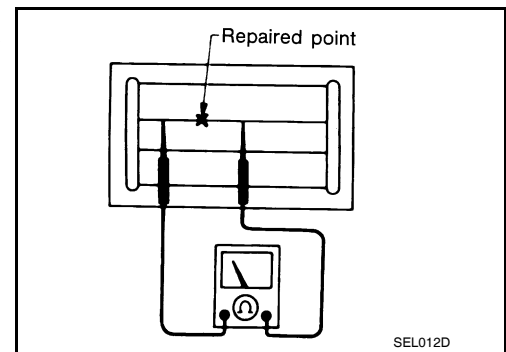
- Wipe broken heat wire and its surrounding area clean with a cloth dampened in alcohol.
- Apply a small amount of conductive silver composition to tip of drawing pen. Shake silver composition container before use.
- Place ruler on glass along broken line. Deposit conductive silver composition on break with drawing pen. Slightly overlap existing heat wire on both sides [preferably 5 mm (0.20 in)] of the break.



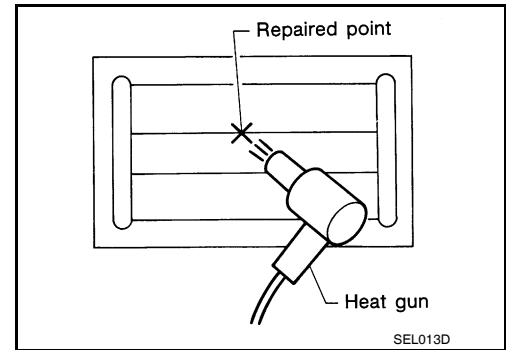
REAR WINDOW DEFOGGER

< SERVICE INFORMATION >

4. After repair has been completed, check repaired wire for continuity. This check should be conducted 10 minutes after silver composition is deposited.
Do not touch repaired area while test is being conducted.



5. Apply a constant stream of hot air directly to the repaired area for approximately 20 minutes with a heat gun. A minimum distance of 3 cm (1.2 in) should be kept between repaired area and hot air outlet.
If a heat gun is not available, let the repaired area dry for 24 hours.



A
B
C
D
E
F
G
H
J
K
L
M
N
O
P

GW

DOOR MIRROR

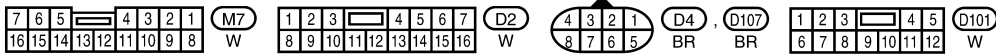
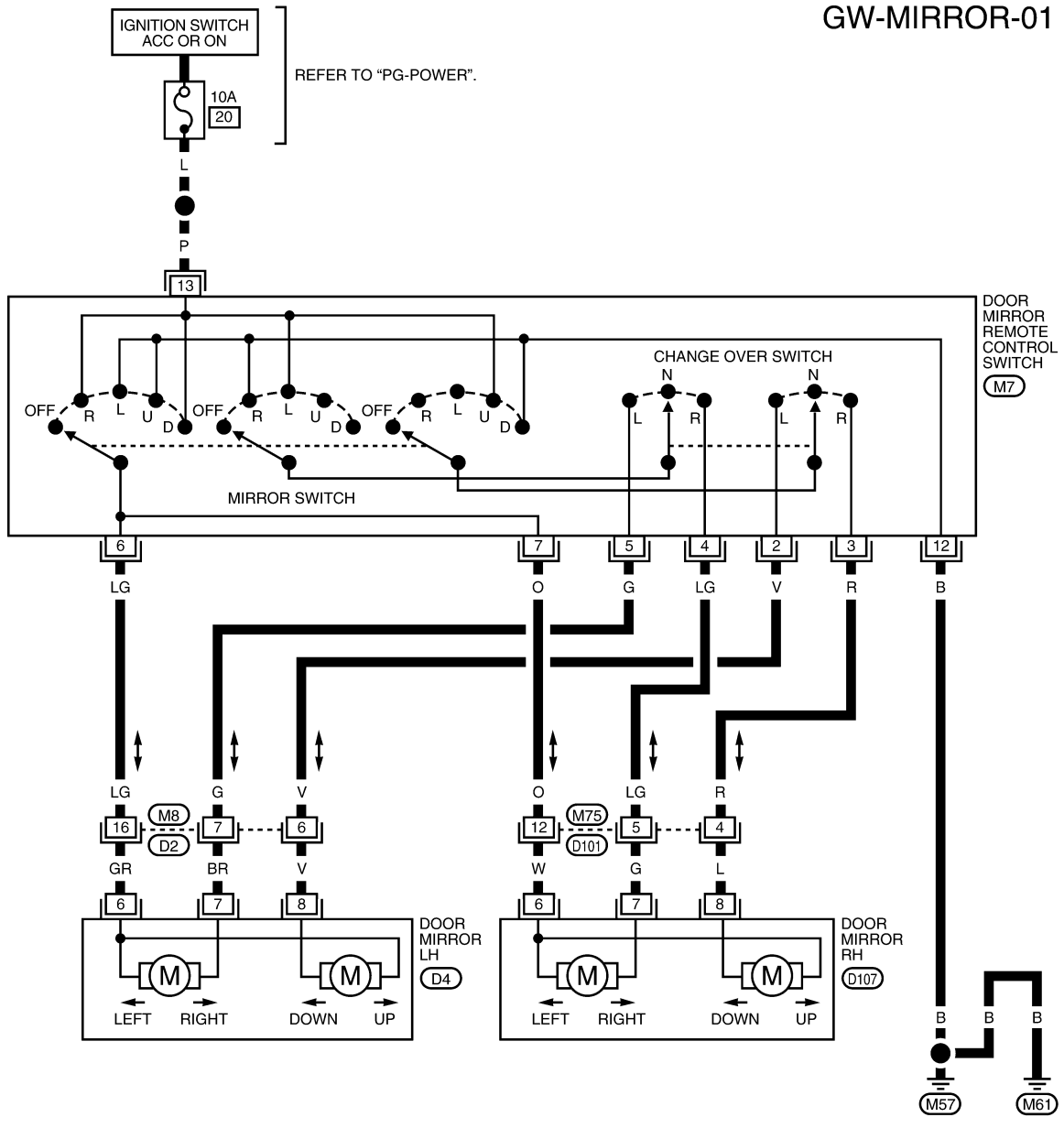
< SERVICE INFORMATION >

DOOR MIRROR

Wiring Diagram - MIRROR -

INFOID:000000007330207

GW-MIRROR-01



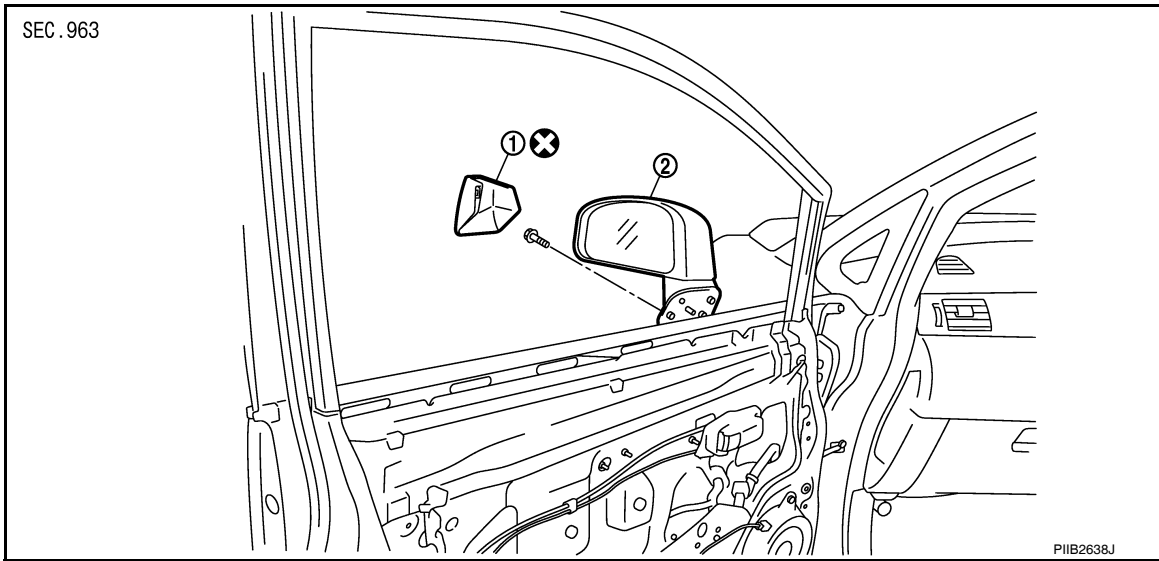
LIWA0559E

DOOR MIRROR

< SERVICE INFORMATION >

Removal and Installation

INFOID:000000007330208



1. Door mirror base cover
2. Door mirror

CAUTION:

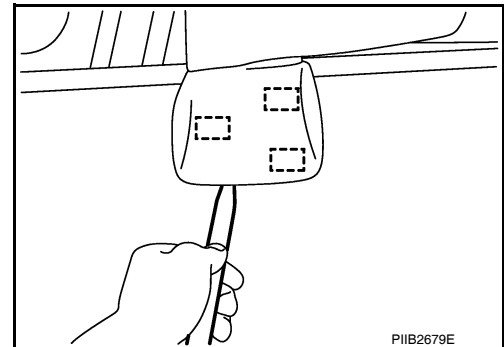
Be careful not to damage the mirror body.

REMOVAL

1. Remove the front door finisher. Refer to [EI-30, "Removal and Installation"](#).
2. Disconnect the harness connector of door mirror.
3. Using a suitable tool remove door mirror base cover.

CAUTION:

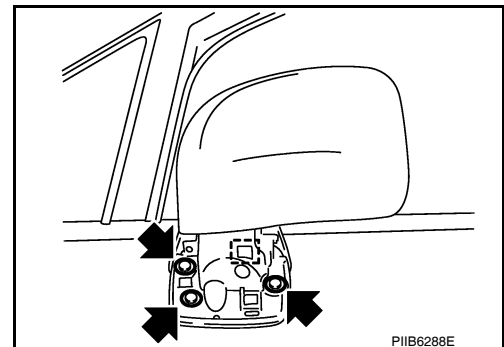
- Do not reuse the disassembled door mirror base cover.
- Be careful not to damage the door panel with a tool.



4. Remove the door mirror bolts, and remove the door mirror assembly.

CAUTION:

Do not use force to remove the door mirror assembly by force because it is attached by clip.



INSTALLATION

Installation is in the reverse order of removal.

Disassembly and Assembly

INFOID:000000007330209

DISASSEMBLY

1. Pull out all the terminals from the connector.

NOTE:

A
B
C
D
E
F
G
H
GW
J
K
L
M
N
O
P

DOOR MIRROR

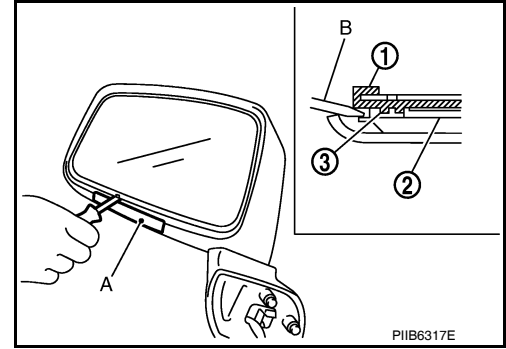
< SERVICE INFORMATION >

Before pulling out the terminal, note the connector terminal arrangement.

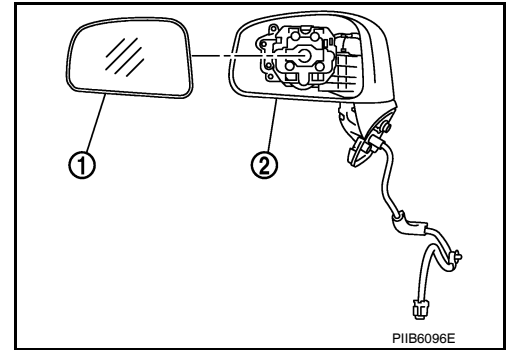
2. Turn the mirror glass surface upward.
3. Apply a protective tape (A) to the housing.
4. Insert suitable tool (B) into the concave gap between mirror holder (1) and power unit (2). Push up tabs (3) (2 locations) on mirror holder to disengage lower part of mirror holder, and remove mirror body assembly.

NOTE:

When pushing up the tabs, do not forcefully push up only 1 concave position but try to push up 2 concave positions.



5. Remove the mirror body (1) from the mirror housing assembly (2).
6. If necessary, remove screws and mirror actuators.



ASSEMBLY

1. Warm the lower tabs with a dryer or equivalent.

NOTE:

Warm the lower tabs sufficiently before installing the mirror body. The tabs may be broken if it is cold. Be especially careful in the winter.

2. Engage upper tabs of mirror body (1) with power unit (2). Then, press lower part of mirror glass down until the lower part snaps to allow engagement of lower tabs.

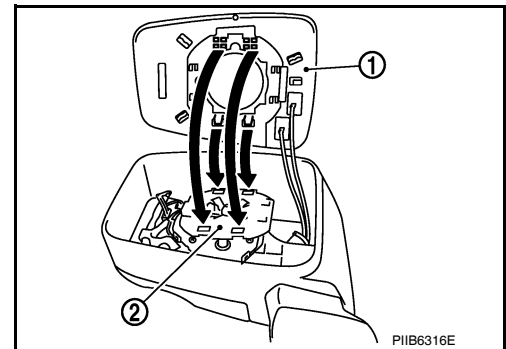
NOTE:

After installation, visually check that the lower tabs are securely engaged when viewed from the bottom of mirror surface.

3. Insert the harness terminals into the connector.

NOTE:

Make sure to insert the harness terminals into the correct connector. Do not confuse the locations.



INSIDE MIRROR

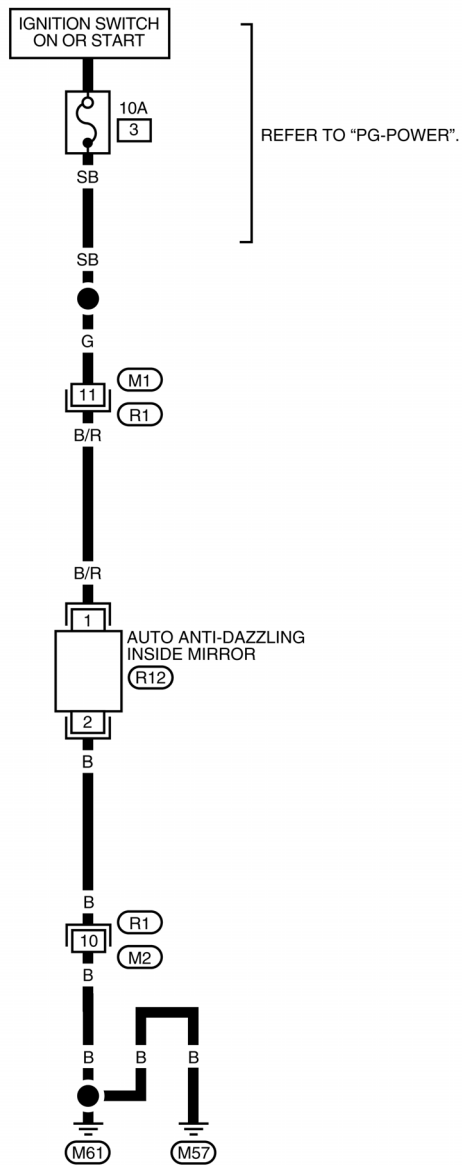
< SERVICE INFORMATION >

INSIDE MIRROR

Wiring Diagram - I/MIRR -

INFOID:000000007687760

GW-I/MIRR-01



A
B
C
D
E
F
G
H
J
K
L
M
N
O
P

GW

AAKWA0403GB

Removal and Installation

INFOID:000000007330210

REMOVAL

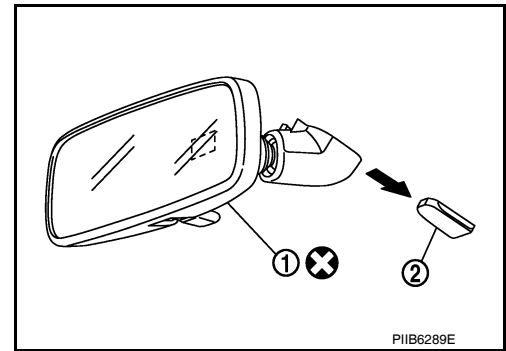
INSIDE MIRROR

< SERVICE INFORMATION >

Slide the inside mirror upward, and then remove inside mirror (1) from the mirror base (2).

CAUTION:

- Do not use excessive force to remove the inside mirror because it is inserted tightly into the mirror base.
- Do not reuse the inside mirror disassembled from mirror base.



INSTALLATION

Installation is in the reverse order of removal.

CAUTION:

Be sure to insert the inside mirror to the mirror base until the pawl is engaged to the mirror base.