

SECTION **INT**
INTERIOR

A

B

C

D

E

F

G

H

I

INT

K

L

M

N

O

P

CONTENTS

PRECAUTION	3	KICKING PLATE INNER : Removal and Installation	20
PRECAUTIONS	3	DASH SIDE FINISHER	21
Precaution for Supplemental Restraint System (SRS) "AIR BAG" and "SEAT BELT PRE-TENSIONER"	3	DASH SIDE FINISHER : Removal and Installation	21
Precaution for Work	3	BODY SIDE WELT	22
PREPARATION	4	BODY SIDE WELT : Removal and Installation	22
PREPARATION	4	CENTER PILLAR LOWER FINISHER	22
Special Service Tool	4	CENTER PILLAR LOWER FINISHER : Removal and Installation	23
Commercial Service Tools	4	CENTER PILLAR UPPER FINISHER	23
CLIP LIST	5	CENTER PILLAR UPPER FINISHER : Removal and Installation	23
Descriptions for Clips	5	REAR PILLAR FINISHER	24
SYMPTOM DIAGNOSIS	9	REAR PILLAR FINISHER : Removal and Installation	24
SQUEAK AND RATTLE TROUBLE DIAGNOSES	9	REAR PARCEL SHELF FINISHER	25
Work Flow	9	Exploded View	25
Generic Squeak and Rattle Troubleshooting	11	Removal and Installation	25
Diagnostic Worksheet	13	FLOOR TRIM	27
REMOVAL AND INSTALLATION	15	Exploded View	27
FRONT DOOR FINISHER	15	Removal and Installation	27
Exploded View	15	HEADLINING	29
Removal and Installation	15	Exploded View	29
REAR DOOR FINISHER	17	Removal and Installation	29
Exploded View	17	TRUNK ROOM TRIM	32
Removal and Installation	17	Exploded View	32
BODY SIDE TRIM	19	TRUNK REAR PLATE	32
Exploded View	19	TRUNK REAR PLATE : Removal and Installation	32
FRONT PILLAR FINISHER	19	TRUNK FRONT FINISHER	33
FRONT PILLAR FINISHER : Removal and Installation	19	TRUNK FRONT FINISHER : Removal and Installation	33
KICKING PLATE INNER	20		

TRUNK SIDE FINISHER	33	TRUNK LID TRIM	35
TRUNK SIDE FINISHER : Removal and Installation	33	Exploded View	35
		Removal and Installation	35

PRECAUTIONS

< PRECAUTION >

PRECAUTION

PRECAUTIONS

Precaution for Supplemental Restraint System (SRS) "AIR BAG" and "SEAT BELT PRE-TENSIONER"

INFOID:000000009269458

The Supplemental Restraint System such as "AIR BAG" and "SEAT BELT PRE-TENSIONER", used along with a front seat belt, helps to reduce the risk or severity of injury to the driver and front passenger for certain types of collision. This system includes seat belt switch inputs and dual stage front air bag modules. The SRS system uses the seat belt switches to determine the front air bag deployment, and may only deploy one front air bag, depending on the severity of a collision and whether the front occupants are belted or unbelted. Information necessary to service the system safely is included in the SR and SB section of this Service Manual.

WARNING:

- To avoid rendering the SRS inoperative, which could increase the risk of personal injury or death in the event of a collision which would result in air bag inflation, all maintenance must be performed by an authorized NISSAN/INFINITI dealer.
- Improper maintenance, including incorrect removal and installation of the SRS, can lead to personal injury caused by unintentional activation of the system. For removal of Spiral Cable and Air Bag Module, see the SR section.
- Do not use electrical test equipment on any circuit related to the SRS unless instructed to in this Service Manual. SRS wiring harnesses can be identified by yellow and/or orange harnesses or harness connectors.

PRECAUTIONS WHEN USING POWER TOOLS (AIR OR ELECTRIC) AND HAMMERS

WARNING:

- When working near the Airbag Diagnosis Sensor Unit or other Airbag System sensors with the Ignition ON or engine running, DO NOT use air or electric power tools or strike near the sensor(s) with a hammer. Heavy vibration could activate the sensor(s) and deploy the air bag(s), possibly causing serious injury.
- When using air or electric power tools or hammers, always switch the Ignition OFF, disconnect the battery, and wait at least 3 minutes before performing any service.

Precaution for Work

INFOID:000000009269459

- When removing or disassembling each component, be careful not to damage or deform it. If a component may be subject to interference, be sure to protect it with a shop cloth.
- When removing (disengaging) components with a screwdriver or similar tool, be sure to wrap the component with a shop cloth or vinyl tape to protect it.
- Protect the removed parts with a shop cloth and prevent them from being dropped.
- Replace a deformed or damaged clip.
- If a part is specified as a non-reusable part, always replace it with a new one.
- Be sure to tighten bolts and nuts securely to the specified torque.
- After installation is complete, be sure to check that each part works properly.
- Follow the steps below to clean components:
 - Water soluble dirt:
 - Dip a soft cloth into lukewarm water, wring the water out of the cloth and wipe the dirty area.
 - Then rub with a soft, dry cloth.
 - Oily dirt:
 - Dip a soft cloth into lukewarm water with mild detergent (concentration: within 2 to 3%) and wipe the dirty area.
 - Then dip a cloth into fresh water, wring the water out of the cloth and wipe the detergent off.
 - Then rub with a soft, dry cloth.
 - Do not use organic solvent such as thinner, benzene, alcohol or gasoline.
 - For genuine leather seats, use a genuine leather seat cleaner.

A
B
C
D
E
F
G
H
I
INT
K
L
M
N
O
P

PREPARATION

< PREPARATION >

PREPARATION

PREPARATION

Special Service Tool

INFOID:000000009269460

The actual shapes of Kent-Moore tools may differ from those of special service tools illustrated here.

Tool number (Kent-Moore No.) Tool name	Description
— (J-39570) Chassis Ear <div data-bbox="630 510 792 699" data-label="Image"> </div> <div data-bbox="776 688 841 709" data-label="Caption"> <p>S1A0993E</p> </div>	Locating the noise
— (J-43980) NISSAN Squeak and Rattle Kit <div data-bbox="623 760 792 949" data-label="Image"> </div> <div data-bbox="776 938 841 959" data-label="Caption"> <p>S1A0994E</p> </div>	Repairing the cause of noise
— (J-46534) Trim Tool Set <div data-bbox="594 1010 824 1178" data-label="Image"> </div> <div data-bbox="776 1188 862 1209" data-label="Caption"> <p>AWJ1A0483ZZ</p> </div>	Removing trim components

Commercial Service Tools

INFOID:000000009269461

(Kent-Moore No.) Tool name	Description
(J-39565) Engine Ear <div data-bbox="594 1444 829 1612" data-label="Image"> </div> <div data-bbox="776 1623 841 1644" data-label="Caption"> <p>S1A0995E</p> </div>	Locating the noise
(—) Power tools <div data-bbox="558 1738 883 1833" data-label="Image"> </div> <div data-bbox="776 1875 841 1896" data-label="Caption"> <p>PIIB1407E</p> </div>	Loosening nuts, screws and bolts

CLIP LIST


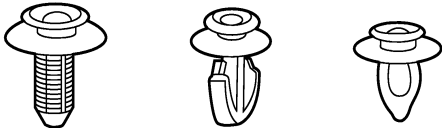


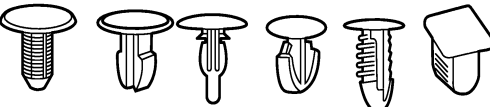
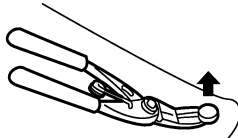

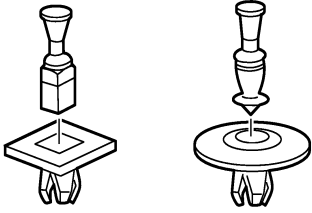
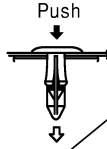
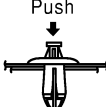

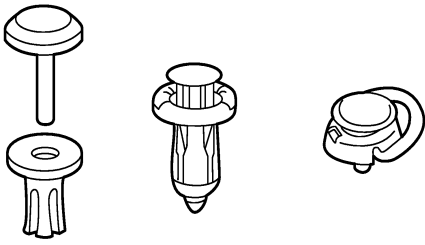
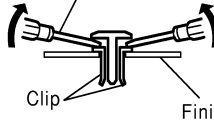

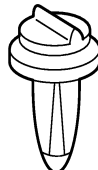
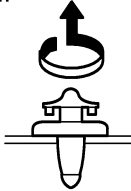
< PREPARATION >

CLIP LIST

Descriptions for Clips

INFOID:00000009269462

Replace any clips and fasteners which are damaged during removal or installation.


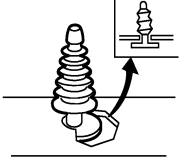
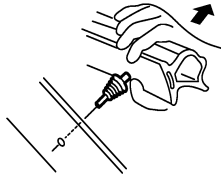

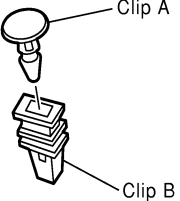
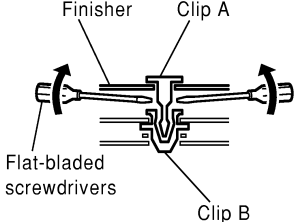

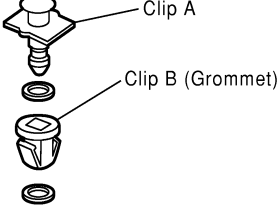
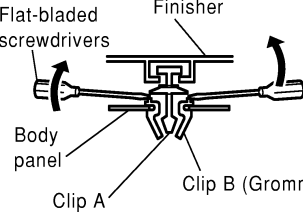
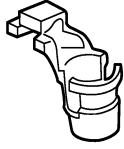
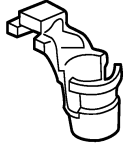
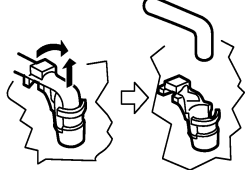

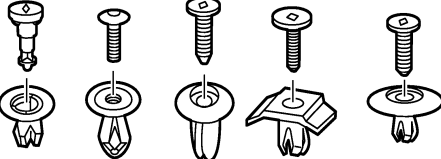

Symbol No.	Shapes	Removal & Installation
C101 		<p>Removal: Remove by bending up with flat-bladed screwdrivers or clip remover.</p> 
C103 		 <p>Removal: Remove with a clip remover.</p>
C203 		<p>Removal: Push center pin to catching position. (Do not remove center pin by hitting it.)</p> <p>Push</p>  <p>Push</p>  <p>Installation:</p>
C205 		<p>Removal: Flat-bladed screwdriver</p>  <p>Clip</p> <p>Finisher</p>
C206 		<p>Removal:</p> 

SIIA0315E

A
B
C
D
E
F
G
H
I
INT
K
L
M
N
O
P

CLIP LIST


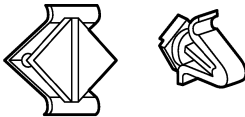

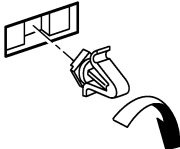

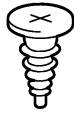



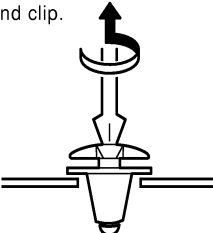


< PREPARATION >

Symbol No.	Shapes	Removal & Installation
<p>CE103</p> 		<p>Removal:</p> 
<p>CF110</p> 		<p>Removal:</p> 
<p>CF118</p> 		<p>Removal:</p> 
<p>CR103</p> 		<p>Removal: Holder portion of clip must be spread out to remove rod.</p> 
<p>CS101</p> 		<p>Removal:</p> <ol style="list-style-type: none"> 1. Screw out with a Phillips screwdriver. 2. Remove female portion with flat-bladed screwdriver. 

SIAA0316E

CLIP LIST

< PREPARATION >


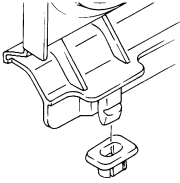
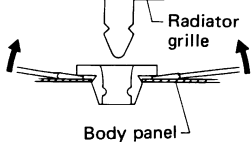

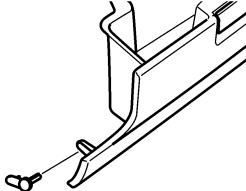
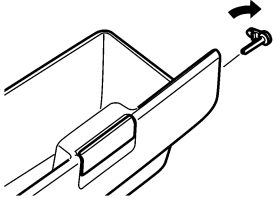

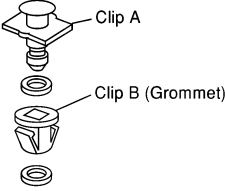
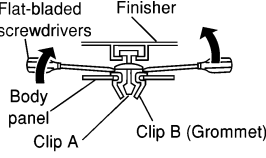
Symbol No.	Shapes	Removal & Installation	
CG101 		Removal:  Rotate 45° to remove	Installation: 
CS102 			
CS113 		Removal: Disconnect upper connection of clip with a flat-bladed screwdriver, then remove clip while inserting a flat-bladed screwdriver between body panel and clip.	
C111 			

S1IA0317E

A
B
C
D
E
F
G
H
I
INT
K
L
M
N
O
P

CLIP LIST

< PREPARATION >

Symbol No.	Shapes	Removal & Installation
<p>CG104</p> 		<p>Removal: Remove by bending up with flat-bladed screwdrivers.</p> 
<p>CE114</p> 		
<p>CF118</p> 		<p>Removal: Flat-bladed screwdrivers Finisher</p> 

ALJIA0564GB

SQUEAK AND RATTLE TROUBLE DIAGNOSES

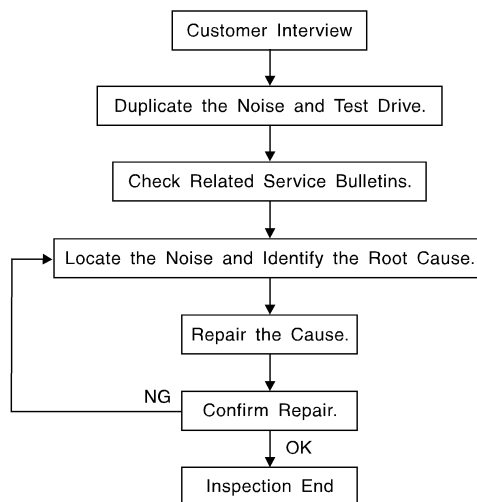
< SYMPTOM DIAGNOSIS >

SYMPTOM DIAGNOSIS

SQUEAK AND RATTLE TROUBLE DIAGNOSES

Work Flow

INFOID:000000009269463



SBT842

CUSTOMER INTERVIEW

Interview the customer if possible, to determine the conditions that exist when the noise occurs. Use the Diagnostic Worksheet during the interview to document the facts and conditions when the noise occurs and any customer's comments; refer to [INT-13, "Diagnostic Worksheet"](#). This information is necessary to duplicate the conditions that exist when the noise occurs.

- The customer may not be able to provide a detailed description or the location of the noise. Attempt to obtain all the facts and conditions that exist when the noise occurs (or does not occur).
- If there is more than one noise in the vehicle, be sure to diagnose and repair the noise that the customer is concerned about. This can be accomplished by test driving the vehicle with the customer.
- After identifying the type of noise, isolate the noise in terms of its characteristics. The noise characteristics are provided so the customer, service adviser and technician are all speaking the same language when defining the noise.
- Squeak —(Like tennis shoes on a clean floor)
Squeak characteristics include the light contact/fast movement/brought on by road conditions/hard surfaces = higher pitch noise/softer surfaces = lower pitch noises/edge to surface = chirping.
- Creak—(Like walking on an old wooden floor)
Creak characteristics include firm contact/slow movement/twisting with a rotational movement/pitch dependent on materials/often brought on by activity.
- Rattle—(Like shaking a baby rattle)
Rattle characteristics include the fast repeated contact/vibration or similar movement/loose parts/missing clip or fastener/incorrect clearance.
- Knock —(Like a knock on a door)
Knock characteristics include hollow sounding/sometimes repeating/often brought on by driver action.
- Tick—(Like a clock second hand)
Tick characteristics include gentle contacting of light materials/loose components/can be caused by driver action or road conditions.
- Thump—(Heavy, muffled knock noise)
Thump characteristics include softer knock/dead sound often brought on by activity.
- Buzz—(Like a bumble bee)
Buzz characteristics include high frequency rattle/firm contact.
- Often the degree of acceptable noise level will vary depending upon the person. A noise that you may judge as acceptable may be very irritating to the customer.
- Weather conditions, especially humidity and temperature, may have a great effect on noise level.

DUPLICATE THE NOISE AND TEST DRIVE

SQUEAK AND RATTLE TROUBLE DIAGNOSES

< SYMPTOM DIAGNOSIS >

If possible, drive the vehicle with the customer until the noise is duplicated. Note any additional information on the Diagnostic Worksheet regarding the conditions or location of the noise. This information can be used to duplicate the same conditions when you confirm the repair.

If the noise can be duplicated easily during the test drive, to help identify the source of the noise, try to duplicate the noise with the vehicle stopped by doing one or all of the following:

- 1) Close a door.
 - 2) Tap or push/pull around the area where the noise appears to be coming from.
 - 3) Rev the engine.
 - 4) Use a floor jack to recreate vehicle "twist".
 - 5) At idle, apply engine load (electrical load, half-clutch on M/T model, drive position on CVT and A/T models).
 - 6) Raise the vehicle on a hoist and hit a tire with a rubber hammer.
- Drive the vehicle and attempt to duplicate the conditions the customer states exist when the noise occurs.
 - If it is difficult to duplicate the noise, drive the vehicle slowly on an undulating or rough road to stress the vehicle body.

CHECK RELATED SERVICE BULLETINS

After verifying the customer concern or symptom, check ASIST for Technical Service Bulletins (TSBs) related to that concern or symptom.

If a TSB relates to the symptom, follow the procedure to repair the noise.

LOCATE THE NOISE AND IDENTIFY THE ROOT CAUSE

1. Narrow down the noise to a general area. To help pinpoint the source of the noise, use a listening tool (Chassis Ear: J-39570, Engine Ear: J-39565 and mechanic's stethoscope).
2. Narrow down the noise to a more specific area and identify the cause of the noise by:
 - removing the components in the area that you suspect the noise is coming from.
Do not use too much force when removing clips and fasteners, otherwise clips and fasteners can be broken or lost during the repair, resulting in the creation of new noise.
 - tapping or pushing/pulling the component that you suspect is causing the noise.
Do not tap or push/pull the component with excessive force, otherwise the noise will be eliminated only temporarily.
 - feeling for a vibration with your hand by touching the component(s) that you suspect is (are) causing the noise.
 - placing a piece of paper between components that you suspect are causing the noise.
 - looking for loose components and contact marks.
Refer to [INT-11, "Generic Squeak and Rattle Troubleshooting"](#).

REPAIR THE CAUSE

- If the cause is a loose component, tighten the component securely.
- If the cause is insufficient clearance between components:
 - separate components by repositioning or loosening and retightening the component, if possible.
 - insulate components with a suitable insulator such as urethane pads, foam blocks, felt cloth tape or urethane tape. A NISSAN Squeak and Rattle Kit (J-43980) is available through your authorized NISSAN Parts Department.

CAUTION:

Do not use excessive force as many components are constructed of plastic and may be damaged.

Always check with the Parts Department for the latest parts information.

The following materials are contained in the NISSAN Squeak and Rattle Kit (J-43980). Each item can be ordered separately as needed.

URETHANE PADS [1.5 mm (0.059 in) thick]

Insulates connectors, harness, etc.

76268-9E005: 100×135 mm (3.94×5.31 in)/76884-71L01: 60×85 mm (2.36×3.35 in)/76884-71L02: 15×25 mm (0.59×0.98 in)

INSULATOR (Foam blocks)

Insulates components from contact. Can be used to fill space behind a panel.

73982-9E000: 45 mm (1.77 in) thick, 50×50 mm (1.97×1.97 in)/73982-50Y00: 10 mm (0.39 in) thick, 50×50 mm (1.97×1.97 in)

INSULATOR (Light foam block)

80845-71L00: 30 mm (1.18 in) thick, 30×50 mm (1.18×1.97 in)

FELT CLOTH TAPE

Used to insulate where movement does not occur. Ideal for instrument panel applications.

68370-4B000: 15×25 mm (0.59×0.98 in) pad/68239-13E00: 5 mm (0.20 in) wide tape roll. The following materials not found in the kit can also be used to repair squeaks and rattles.

SQUEAK AND RATTLE TROUBLE DIAGNOSES

< SYMPTOM DIAGNOSIS >

UHMW (TEFLON) TAPE

Insulates where slight movement is present. Ideal for instrument panel applications.

SILICONE GREASE

Used instead of UHMW tape that will be visible or not fit.

Note: Will only last a few months.

SILICONE SPRAY

Use when grease cannot be applied.

DUCT TAPE

Use to eliminate movement.

CONFIRM THE REPAIR

Confirm that the cause of a noise is repaired by test driving the vehicle. Operate the vehicle under the same conditions as when the noise originally occurred. Refer to the notes on the Diagnostic Worksheet.

Generic Squeak and Rattle Troubleshooting

INFOID:000000009269464

Refer to Table of Contents for specific component removal and installation information.

INSTRUMENT PANEL

Most incidents are caused by contact and movement between:

1. Cluster lid A and the instrument panel
2. Acrylic lens and combination meter housing
3. Instrument panel to front pillar finisher
4. Instrument panel to windshield
5. Instrument panel pins
6. Wiring harnesses behind the combination meter
7. A/C defroster duct and duct joint

These incidents can usually be located by tapping or moving the components to duplicate the noise or by pressing on the components while driving to stop the noise. Most of these incidents can be repaired by applying felt cloth tape or silicone spray (in hard to reach areas). Urethane pads can be used to insulate wiring harness.

CAUTION:

Do not use silicone spray to isolate a squeak or rattle. If you saturate the area with silicone, you will not be able to recheck the repair.

CENTER CONSOLE

Components to pay attention to include:

1. Shift selector assembly cover to finisher
2. A/C control unit and cluster lid C
3. Wiring harnesses behind audio and A/C control unit

The instrument panel repair and isolation procedures also apply to the center console.

DOORS

Pay attention to the:

1. Finisher and inner panel making a slapping noise
2. Inside handle escutcheon to door finisher
3. Wiring harnesses tapping
4. Door striker out of alignment causing a popping noise on starts and stops

Tapping or moving the components or pressing on them while driving to duplicate the conditions can isolate many of these incidents. You can usually insulate the areas with felt cloth tape or insulator foam blocks from the NISSAN Squeak and Rattle Kit (J-43980) to repair the noise.

TRUNK

Trunk noises are often caused by a loose jack or loose items put into the trunk by the owner.

In addition look for:

1. Trunk lid bumpers out of adjustment
2. Trunk lid striker out of adjustment
3. The trunk lid torsion bars knocking together

A
B
C
D
E
F
G
H
I
INT
K
L
M
N
O
P

SQUEAK AND RATTLE TROUBLE DIAGNOSES

< SYMPTOM DIAGNOSIS >

4. A loose license plate or bracket

Most of these incidents can be repaired by adjusting, securing or insulating the item(s) or component(s) causing the noise.

SUNROOF/HEADLINING

Noises in the sunroof/headlining area can often be traced to one of the following:

1. Sunroof lid, rail, linkage or seals making a rattle or light knocking noise
2. Sun visor shaft shaking in the holder
3. Front or rear windshield touching headlining and squeaking

Again, pressing on the components to stop the noise while duplicating the conditions can isolate most of these incidents. Repairs usually consist of insulating with felt cloth tape.

OVERHEAD CONSOLE (FRONT AND REAR)

Overhead console noises are often caused by the console panel clips not being engaged correctly. Most of these incidents are repaired by pushing up on the console at the clip locations until the clips engage.

In addition look for:

1. Loose harness or harness connectors.
2. Front console map/reading lamp lens loose.
3. Loose screws at console attachment points.

SEATS

When isolating seat noise it's important to note the position the seat is in and the load placed on the seat when the noise is present. These conditions should be duplicated when verifying and isolating the cause of the noise.

Cause of seat noise include:

1. Headrest rods and holder
2. A squeak between the seat pad cushion and frame
3. The rear seatback lock and bracket

These noises can be isolated by moving or pressing on the suspected components while duplicating the conditions under which the noise occurs. Most of these incidents can be repaired by repositioning the component or applying urethane tape to the contact area.

UNDERHOOD

Some interior noise may be caused by components under the hood or on the engine wall. The noise is then transmitted into the passenger compartment.

Causes of transmitted underhood noise include:

1. Any component installed to the engine wall
2. Components that pass through the engine wall
3. Engine wall mounts and connectors
4. Loose radiator installation pins
5. Hood bumpers out of adjustment
6. Hood striker out of adjustment

These noises can be difficult to isolate since they cannot be reached from the interior of the vehicle. The best method is to secure, move or insulate one component at a time and test drive the vehicle. Also, engine rpm or load can be changed to isolate the noise. Repairs can usually be made by moving, adjusting, securing, or insulating the component causing the noise.

SQUEAK AND RATTLE TROUBLE DIAGNOSES

< SYMPTOM DIAGNOSIS >

Diagnostic Worksheet

INFOID:00000009269465

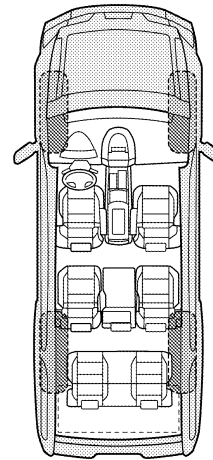
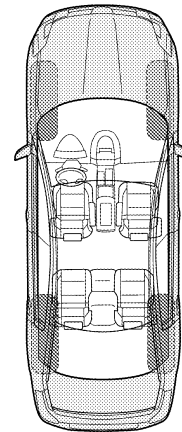
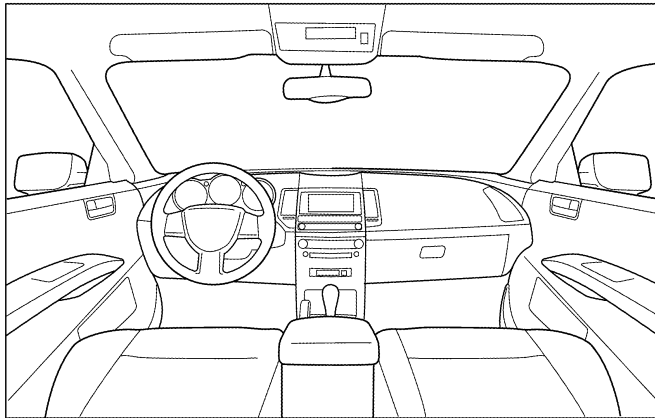
Dear Customer:

We are concerned about your satisfaction with your vehicle. Repairing a squeak or rattle sometimes can be very difficult. To help us fix your vehicle right the first time, please take a moment to note the area of the vehicle where the squeak or rattle occurs and under what conditions. You may be asked to take a test drive with a service advisor or technician to ensure we confirm the noise you are hearing.

SQUEAK & RATTLE DIAGNOSTIC WORKSHEET

I. WHERE DOES THE NOISE COME FROM? (circle the area of the vehicle)

The illustrations are for reference only, and may not reflect the actual configuration of your vehicle.



Continue to page 2 of the worksheet and briefly describe the location of the noise or rattle. In addition, please indicate the conditions which are present when the noise occurs.

A
B
C
D
E
F
G
H
I
INT
K
L
M
N
O
P

SQUEAK AND RATTLE TROUBLE DIAGNOSES

< SYMPTOM DIAGNOSIS >

SQUEAK & RATTLE DIAGNOSTIC WORKSHEET - page 2

Briefly describe the location where the noise occurs:

II. WHEN DOES IT OCCUR? (please check the boxes that apply)

- | | |
|---|--|
| <input type="checkbox"/> Anytime | <input type="checkbox"/> After sitting out in the rain |
| <input type="checkbox"/> 1st time in the morning | <input type="checkbox"/> When it is raining or wet |
| <input type="checkbox"/> Only when it is cold outside | <input type="checkbox"/> Dry or dusty conditions |
| <input type="checkbox"/> Only when it is hot outside | <input type="checkbox"/> Other: |

III. WHEN DRIVING:

- Through driveways
- Over rough roads
- Over speed bumps
- Only about ____ mph
- On acceleration
- Coming to a stop
- On turns: left, right or either (circle)
- With passengers or cargo
- Other: _____
- After driving ____ miles or ____ minutes

IV. WHAT TYPE OF NOISE

- Squeak (like tennis shoes on a clean floor)
- Creak (like walking on an old wooden floor)
- Rattle (like shaking a baby rattle)
- Knock (like a knock at the door)
- Tick (like a clock second hand)
- Thump (heavy muffled knock noise)
- Buzz (like a bumble bee)

TO BE COMPLETED BY DEALERSHIP PERSONNEL

Test Drive Notes:

	YES	NO	Initials of person performing
Vehicle test driven with customer	<input type="checkbox"/>	<input type="checkbox"/>	_____
- Noise verified on test drive	<input type="checkbox"/>	<input type="checkbox"/>	_____
- Noise source located and repaired	<input type="checkbox"/>	<input type="checkbox"/>	_____
- Follow up test drive performed to confirm repair	<input type="checkbox"/>	<input type="checkbox"/>	_____

VIN: _____ Customer Name _____
W.O.# _____ Date: _____

This form must be attached to Work Order

LAIA0071E

FRONT DOOR FINISHER

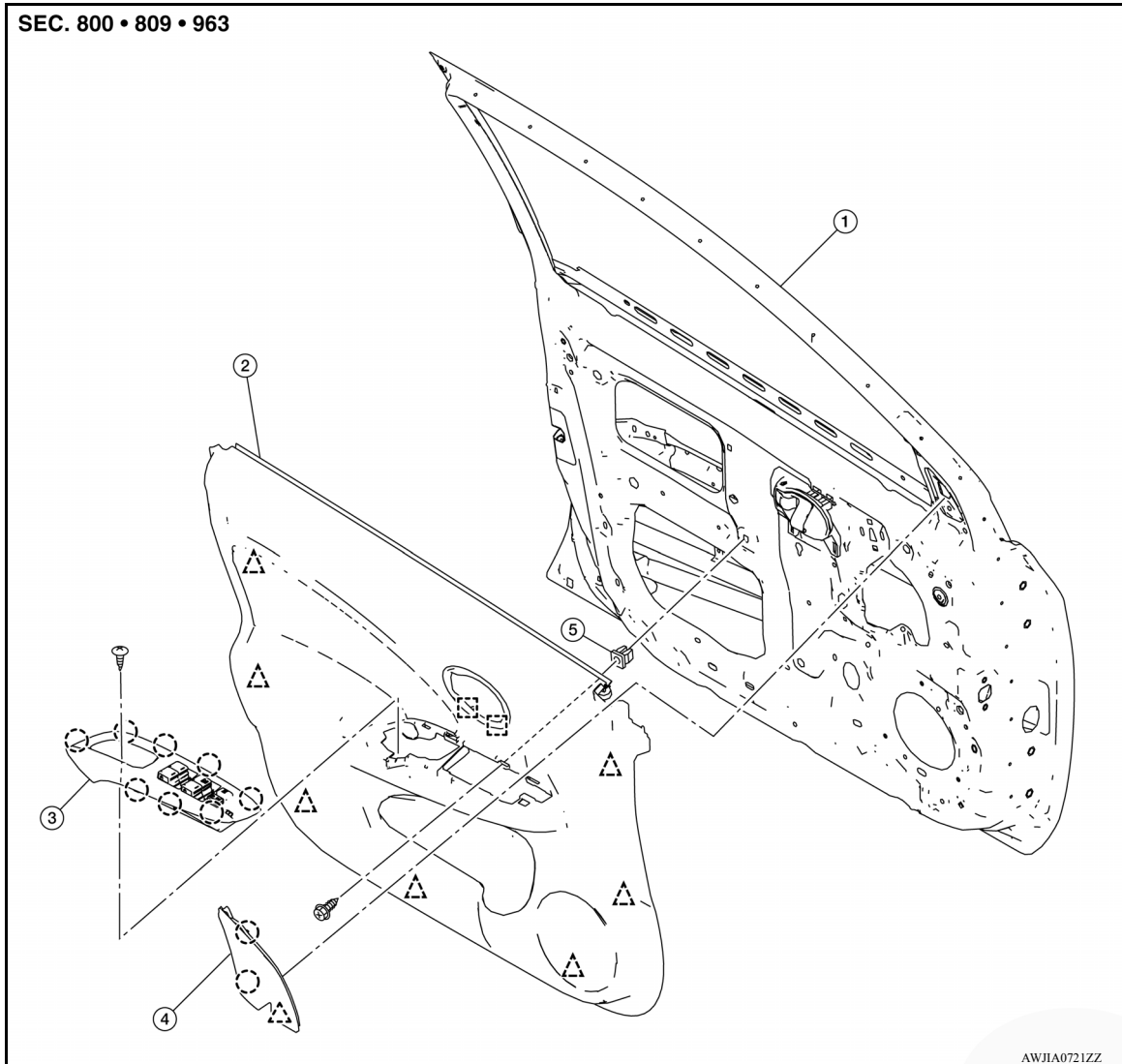
< REMOVAL AND INSTALLATION >

REMOVAL AND INSTALLATION

FRONT DOOR FINISHER

Exploded View

INFOID:000000009269466



- | | | |
|-------------------------------|------------------------|---|
| 1. Front door panel | 2. Front door finisher | 3. Main power window and door lock/
unlock switch finisher (if equipped) |
| 4. Front door corner finisher | 5. Grommet | □ Metal clip |
| △ Clip | ○ Pawl | |

NOTE:

LH side shown; RH side similar.

Removal and Installation

INFOID:000000009269467

REMOVAL

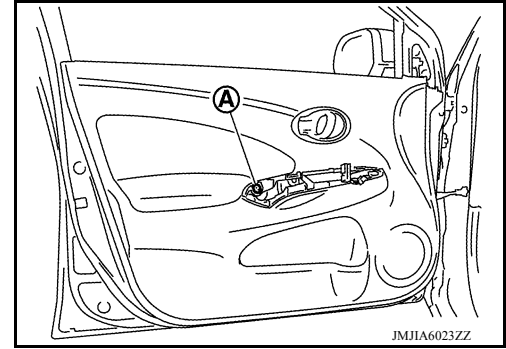
1. Fully open front door window.
2. Remove front door corner finisher. Refer to [MIR-17. "FRONT DOOR CORNER FINISHER : Removal and Installation"](#).
3. Remove power window and door lock/unlock switch and finisher as an assembly (if equipped). Refer to [PWC-52. "Removal and Installation"](#) (LH) or [PWC-53. "Removal and Installation"](#) (RH).

A
B
C
D
E
F
G
H
I
INT
K
L
M
N
O
P

FRONT DOOR FINISHER

< REMOVAL AND INSTALLATION >

4. Remove front door finisher.
 - a. Remove front door finisher bolt (A).

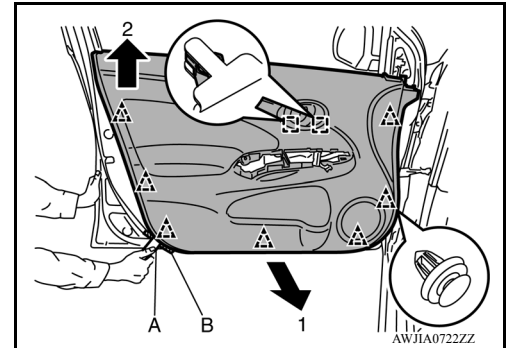


- b. Release front door finisher clips and metal clips using a suitable tool (A) and remove front door finisher as shown.

-  Clip
-  Metal clip

CAUTION:

Apply protective tape (B) on the door panel and/or door finisher to protect from damage.



INSTALLATION

Installation is in the reverse order of removal.

CAUTION:

When installing front door finisher, make sure the clips and metal clips are securely pressed into door panel holes.

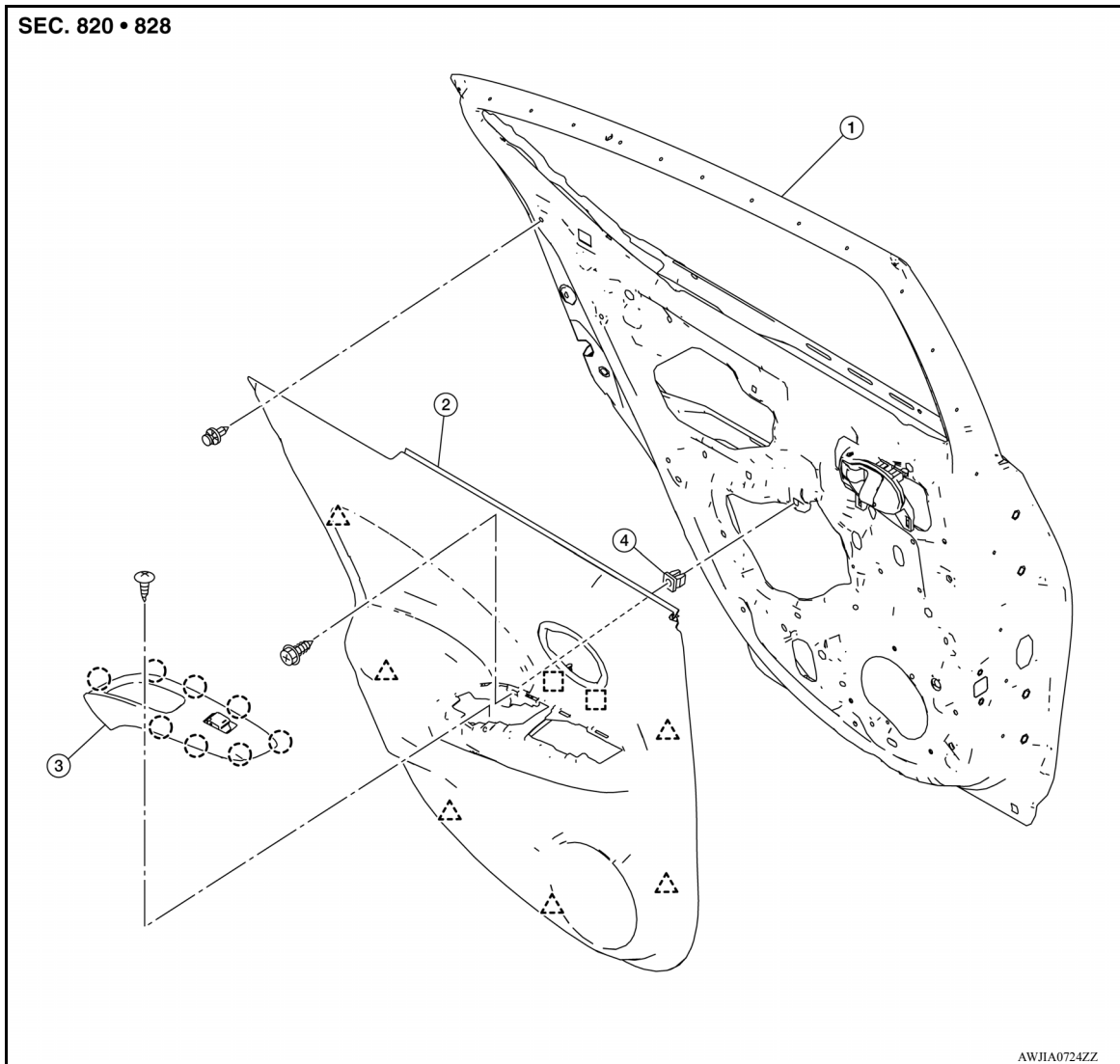
REAR DOOR FINISHER

< REMOVAL AND INSTALLATION >

REAR DOOR FINISHER

Exploded View

INFOID:000000009269468



1. Rear door panel

2. Rear door finisher

3. Rear power window switch finisher (if equipped)

4. Grommet

△ Clip

□ Metal clip

○ Pawl

Removal and Installation

INFOID:000000009269469

REMOVAL

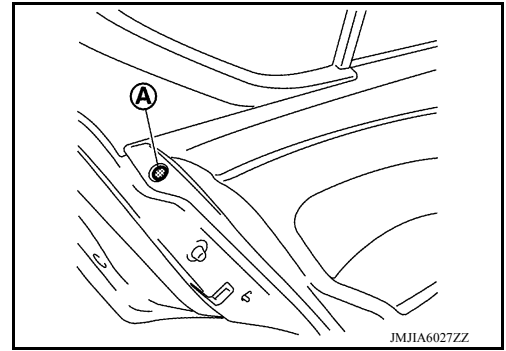
1. Fully open rear door window.

A
B
C
D
E
F
G
H
I
INT
K
L
M
N
O
P

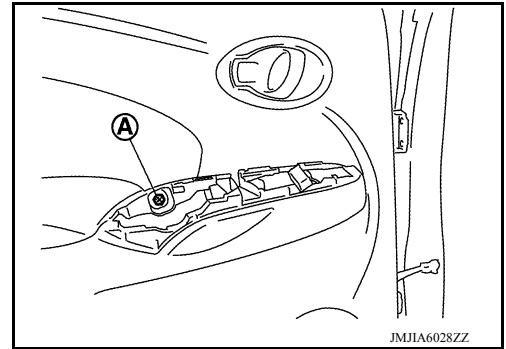
REAR DOOR FINISHER

< REMOVAL AND INSTALLATION >

2. Remove rear door finisher clip (A).



3. Remove rear power window switch and finisher as an assembly (if equipped). Refer to [PWC-54, "Removal and Installation"](#).
4. Remove rear door finisher.
 - a. Remove rear door finisher bolt (A).

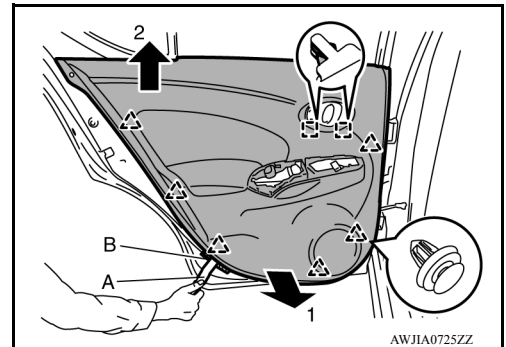


- b. Release rear door finisher clips and metal clips using a suitable tool (A) and remove rear door finisher as shown.

- Clip
- Metal clip

CAUTION:

Apply protective tape (B) on the door panel and/or door finisher to protect from damage.



INSTALLATION

Installation is in the reverse order of removal.

CAUTION:

When installing rear door finisher, make sure the clips and metal clips are securely pressed into door panel holes.

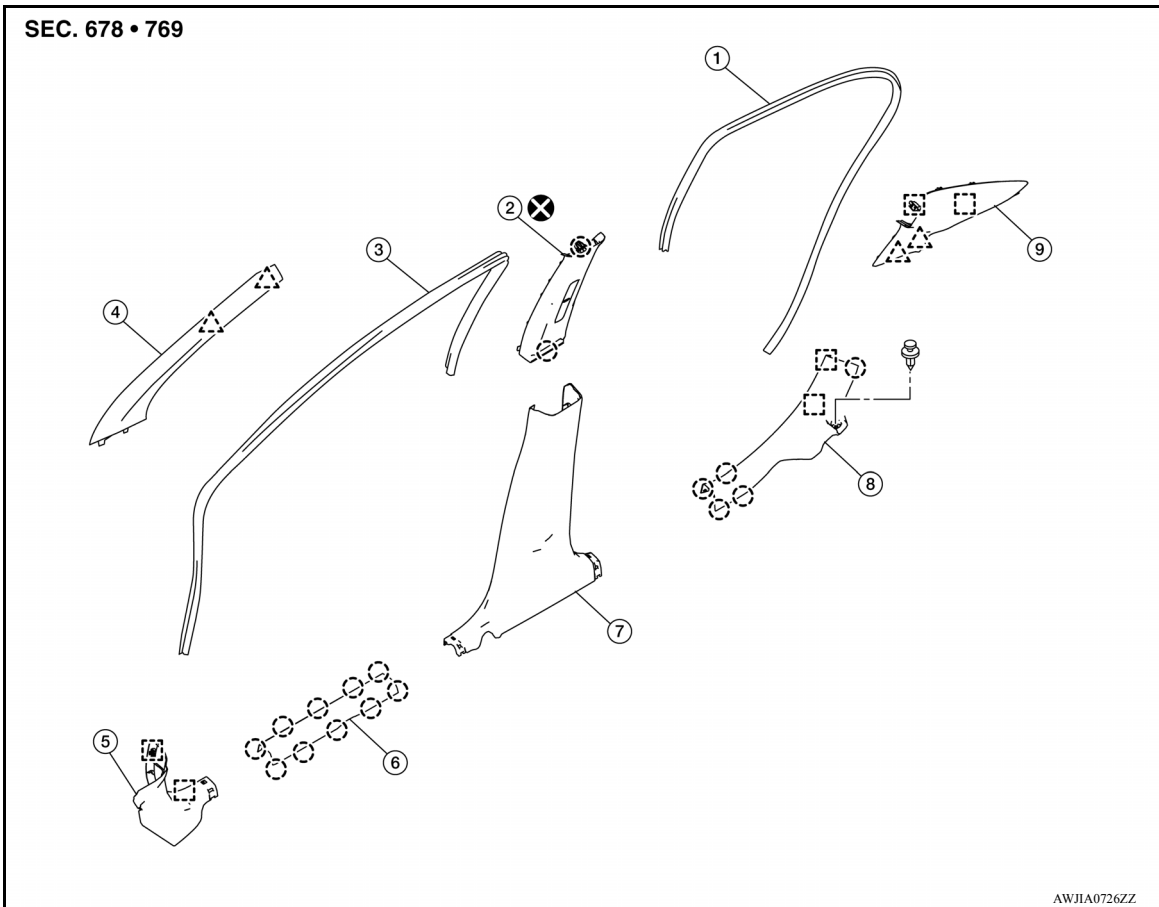
BODY SIDE TRIM

< REMOVAL AND INSTALLATION >

BODY SIDE TRIM

Exploded View

INFOID:00000009269470



- | | | |
|---------------------------------|---------------------------------|-------------------------|
| 1. Rear body side welt | 2. Center pillar upper finisher | 3. Front body side welt |
| 4. Front pillar finisher | 5. Dash side finisher | 6. Front kicking plate |
| 7. Center pillar lower finisher | 8. Rear kicking plate | 9. Rear pillar finisher |
| Clip | Pawl | Metal clip |

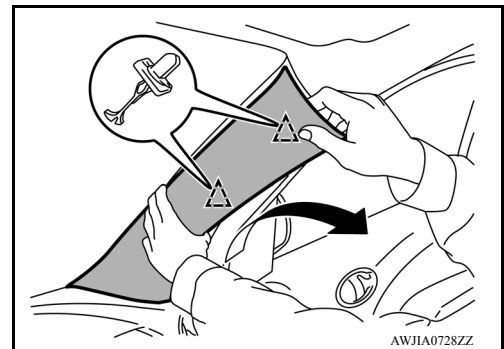
FRONT PILLAR FINISHER

FRONT PILLAR FINISHER : Removal and Installation

INFOID:00000009269471

REMOVAL

1. Release front pillar portion of front body side welt.
2. Pull front pillar finisher downward as shown, using mild pressure to disengage the front pillar finisher from the clips.
: Clip

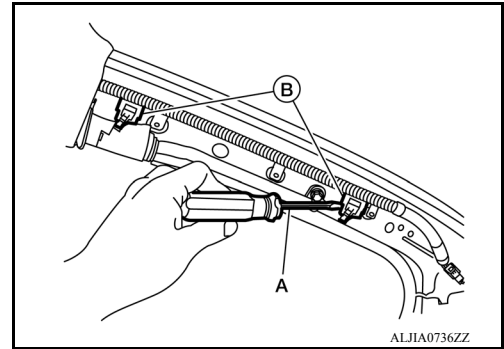


A
B
C
D
E
F
G
H
I
INT
K
L
M
N
O
P

BODY SIDE TRIM

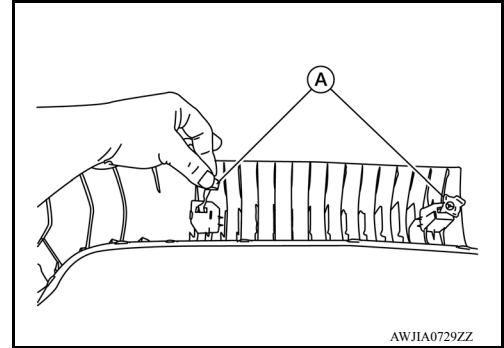
< REMOVAL AND INSTALLATION >

3. Remove the front pillar finisher clips (B) using a suitable tool (A).



INSTALLATION

1. Install the front pillar finisher clips (A) to the front pillar finisher by inserting clip end and rotating 90 degrees in either direction.



2. Install the front pillar finisher to the front pillar.

CAUTION:

When installing front pillar finisher, check that all clips are securely pressed into body panel holes.

KICKING PLATE INNER

KICKING PLATE INNER : Removal and Installation

INFOID:000000009269472

FRONT KICKING PLATE

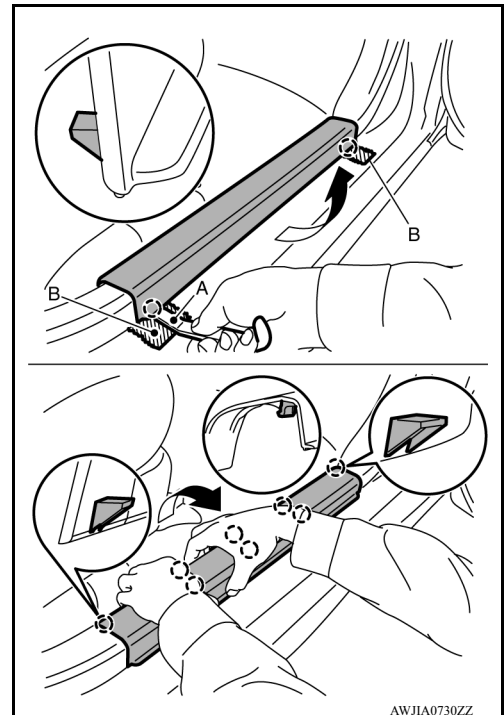
Removal

1. Release front kicking plate pawls using a suitable tool (A) and remove front kicking plate as shown.

CAUTION:

Apply protective tape (B) to the body as shown before releasing the pawls on the outer ends.

○: Pawl



BODY SIDE TRIM

< REMOVAL AND INSTALLATION >

Installation

Installation is in the reverse order of removal.

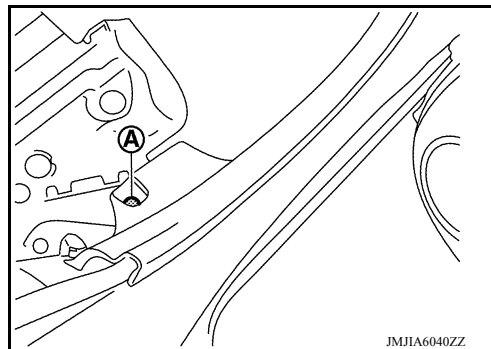
CAUTION:

When installing rear kicking plate, make sure that metal clips are securely pressed in body panel holes.

REAR KICKING PLATE

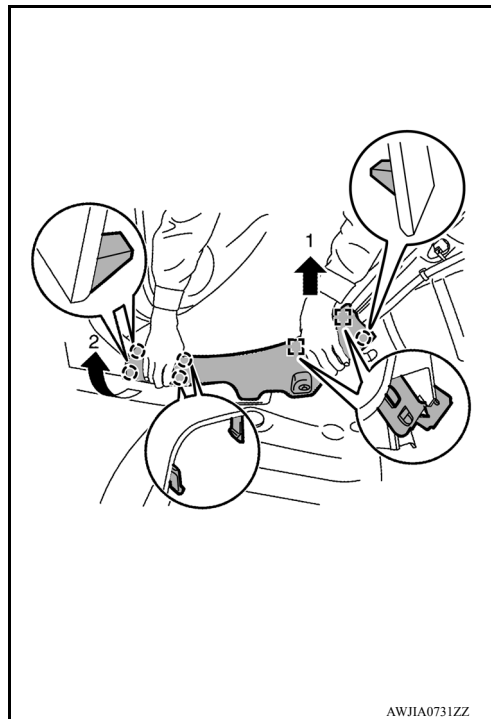
Removal

1. Remove rear seat cushion. Refer to [SE-23, "Removal and Installation - Seat Cushion Assembly"](#).
2. Remove rear kicking plate clip (A).



3. Lift rear end of rear kicking plate to disengage rear kicking plate metal clips, then rotate front end of rear kicking plate to disengage rear kicking plate pawls and remove rear kicking plate.

- : Metal clip
- : Pawl



Installation

Installation is in the reverse order of removal.

CAUTION:

When installing rear kicking plate, make sure that metal clips are securely pressed in body panel holes.

DASH SIDE FINISHER

DASH SIDE FINISHER : Removal and Installation

INFOID:000000009269473

REMOVAL

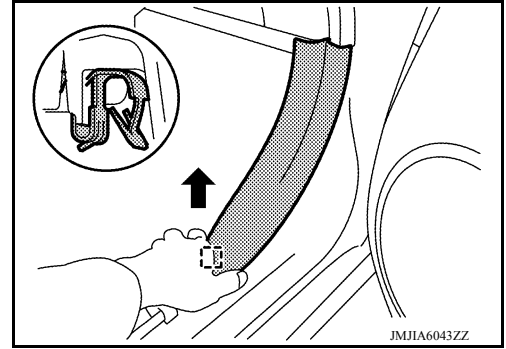
1. Remove front kicking plate. Refer to [INT-20, "KICKING PLATE INNER : Removal and Installation"](#).

BODY SIDE TRIM

< REMOVAL AND INSTALLATION >

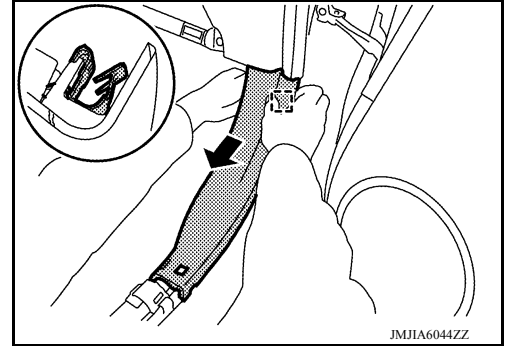
2. Lift up rear end of dash side finisher to disengage metal clip.

 Metal clip



3. Pull back dash side finisher to disengage dash side finisher metal clip and remove dash side finisher.

 Metal clip



INSTALLATION

Installation is in the reverse order of removal.

CAUTION:

When installing dash side finisher, make sure that all metal clips are securely pressed into body panel holes.

BODY SIDE WELT

BODY SIDE WELT : Removal and Installation

INFOID:000000009269474

CAUTION:

Do not excessively pull or stretch body side welts.

FRONT BODY SIDE WELT

Removal

1. Remove dash side finisher. Refer to [INT-21, "DASH SIDE FINISHER : Removal and Installation"](#).
2. Remove center pillar lower finisher. Refer to [INT-23, "CENTER PILLAR LOWER FINISHER : Removal and Installation"](#).
3. Remove front body side welt.

Installation

Installation is in the reverse order of removal.

REAR BODY SIDE WELT

Removal

1. Remove center pillar lower finisher. Refer to [INT-23, "CENTER PILLAR LOWER FINISHER : Removal and Installation"](#).
2. Remove rear body side welt.

Installation

Installation is in the reverse order of removal.

CENTER PILLAR LOWER FINISHER

BODY SIDE TRIM

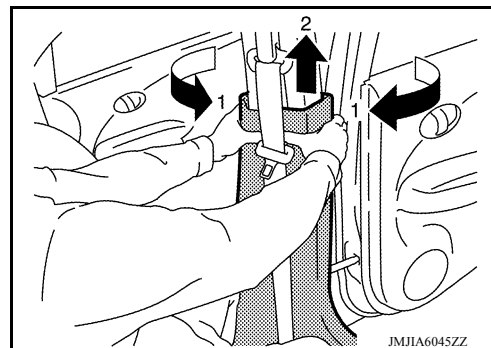
< REMOVAL AND INSTALLATION >

CENTER PILLAR LOWER FINISHER : Removal and Installation

INFOID:00000009269475

REMOVAL

1. Remove front kicking plate and rear kicking plate. Refer to [INT-20. "KICKING PLATE INNER : Removal and Installation"](#).
2. Remove center pillar lower finisher as shown.



INSTALLATION

Installation is in the reverse order of removal.

CENTER PILLAR UPPER FINISHER

CENTER PILLAR UPPER FINISHER : Removal and Installation

INFOID:00000009269476

REMOVAL

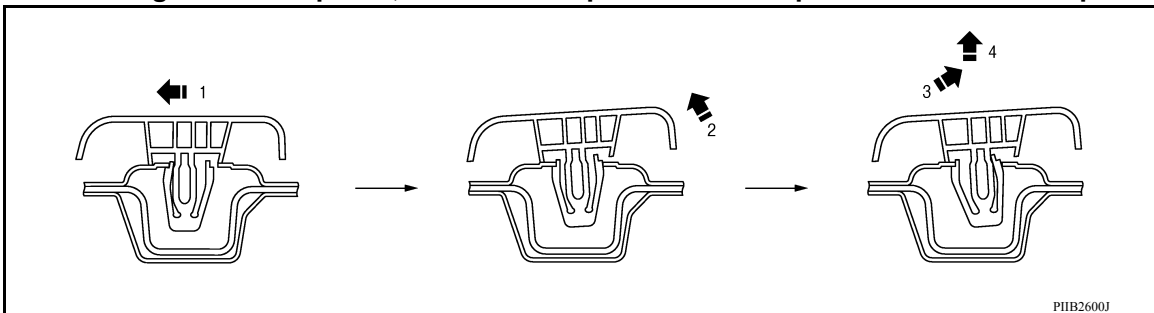
1. Remove front shoulder anchor. Refer to [SB-6. "SEAT BELT RETRACTOR : Removal and Installation"](#).
2. Remove front body side welt and rear body side welt. Refer to [INT-22. "BODY SIDE WELT : Removal and Installation"](#).
3. Release center pillar upper finisher upper pawl using a suitable tool as shown.

WARNING:

Do not reuse center pillar upper finisher if removed.

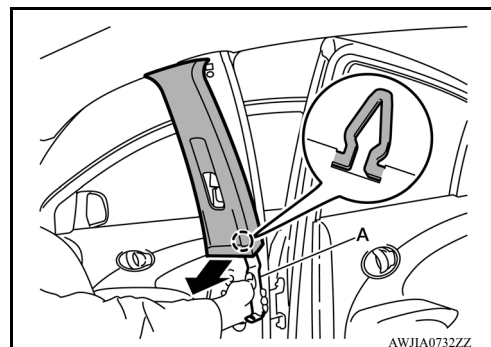
CAUTION:

When releasing molded in pawls, follow the steps as shown to prevent finisher or clip damage.



4. Release center pillar upper finisher lower pawl using a suitable tool (A) and remove center pillar upper finisher.

○: Pawl



INSTALLATION

Installation is in the reverse order of removal.

CAUTION:

BODY SIDE TRIM

< REMOVAL AND INSTALLATION >

When installing center pillar upper finisher, make sure that pawls and are securely pressed into the body panel holes.

REAR PILLAR FINISHER

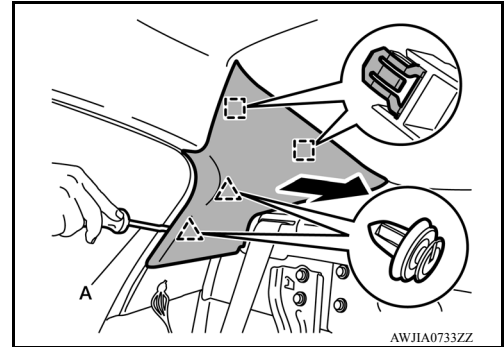
REAR PILLAR FINISHER : Removal and Installation

INFOID:000000009269477

REMOVAL

1. Partially remove rear body side welt. Refer to [INT-22. "BODY SIDE WELT : Removal and Installation"](#).
2. Remove rear seat cushion. Refer to [SE-23. "Removal and Installation - Seat Cushion Assembly"](#).
3. Remove the rear seat bolster. Refer to [SE-24. "Removal and Installation - Rear Seat Bolster"](#).
4. Release rear pillar finisher clips and metal clips using a suitable tool (A) and remove rear pillar finisher by pulling outward.

-  Clip
-  Metal clip



INSTALLATION

Installation is in the reverse order of removal.

CAUTION:

When installing rear pillar finisher, make sure that clips and metal clips are securely pressed in body holes.

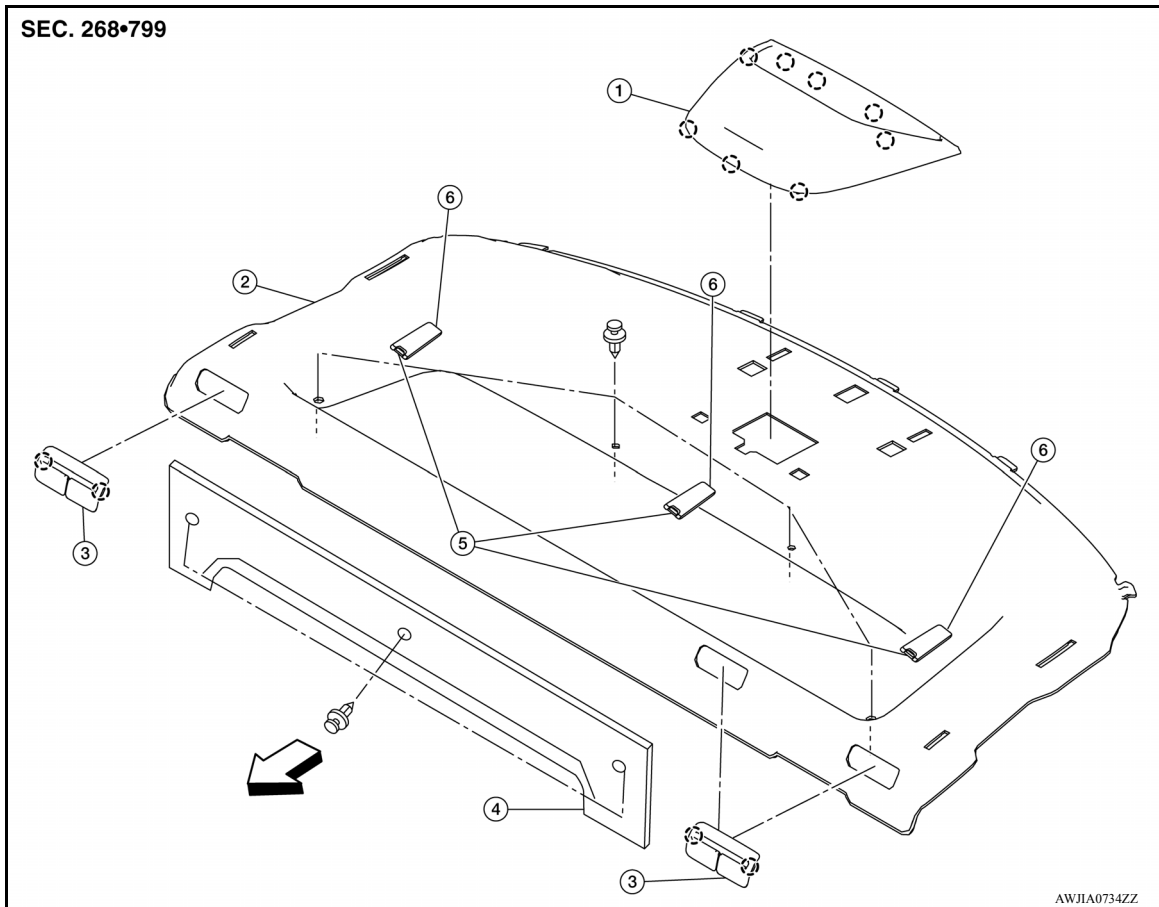
REAR PARCEL SHELF FINISHER

< REMOVAL AND INSTALLATION >

REAR PARCEL SHELF FINISHER

Exploded View

INFOID:00000009269478



- | | | |
|---------------------------|-------------------------------|-------------------------------------|
| 1. High-mounted stop lamp | 2. Rear parcel shelf finisher | 3. Seat belt finisher |
| 4. Seatback latch cover | 5. Top tether strap anchor | 6. Top tether strap anchor finisher |
- ↶ Front ○ Pawl

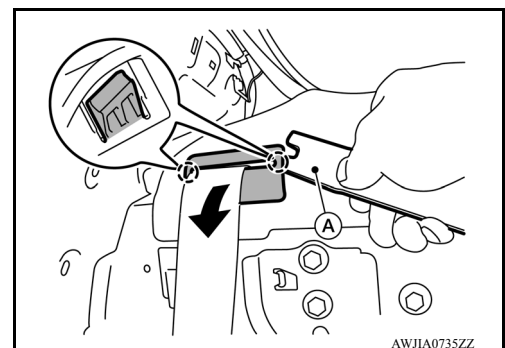
Removal and Installation

INFOID:00000009269479

REMOVAL

1. Remove high-mounted stop lamp. Refer to [EXL-112, "Removal and Installation"](#).
2. Remove rear pillar finisher. Refer to [INT-24, "REAR PILLAR FINISHER : Removal and Installation"](#).
3. Remove rear seat belt floor anchor bolts. Refer to [SB-9, "SEAT BELT RETRACTOR : Removal and Installation"](#).
4. Release seat belt finisher pawls using a suitable tool (A) and remove seat belt finisher.

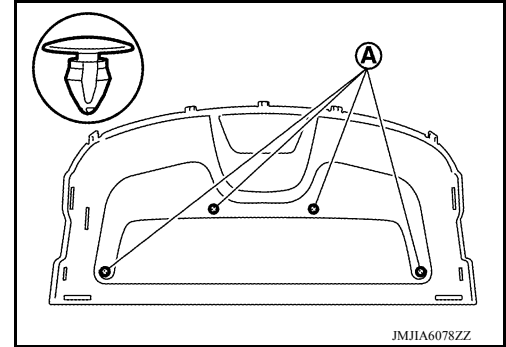
○: Pawl



REAR PARCEL SHELF FINISHER

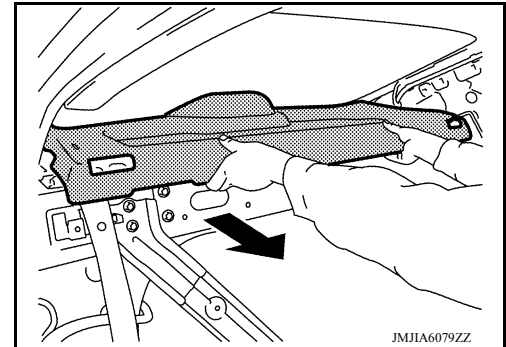
< REMOVAL AND INSTALLATION >

5. Fold rear seatbacks down (60:40 split seatback) or remove fixed seatback. Refer to [SE-23. "Removal and Installation - Fixed Seatback"](#).
6. Remove seatback latch cover clips and seatback latch cover.
7. Remove rear parcel shelf finisher clips (A).



8. Pull rear parcel shelf finisher toward front and remove rear parcel shelf finisher.

←: Front



9. Release anchor finisher pawls and remove anchor finishers and anchors from rear parcel shelf finisher (if necessary).

INSTALLATION

Installation is in the reverse order of removal.

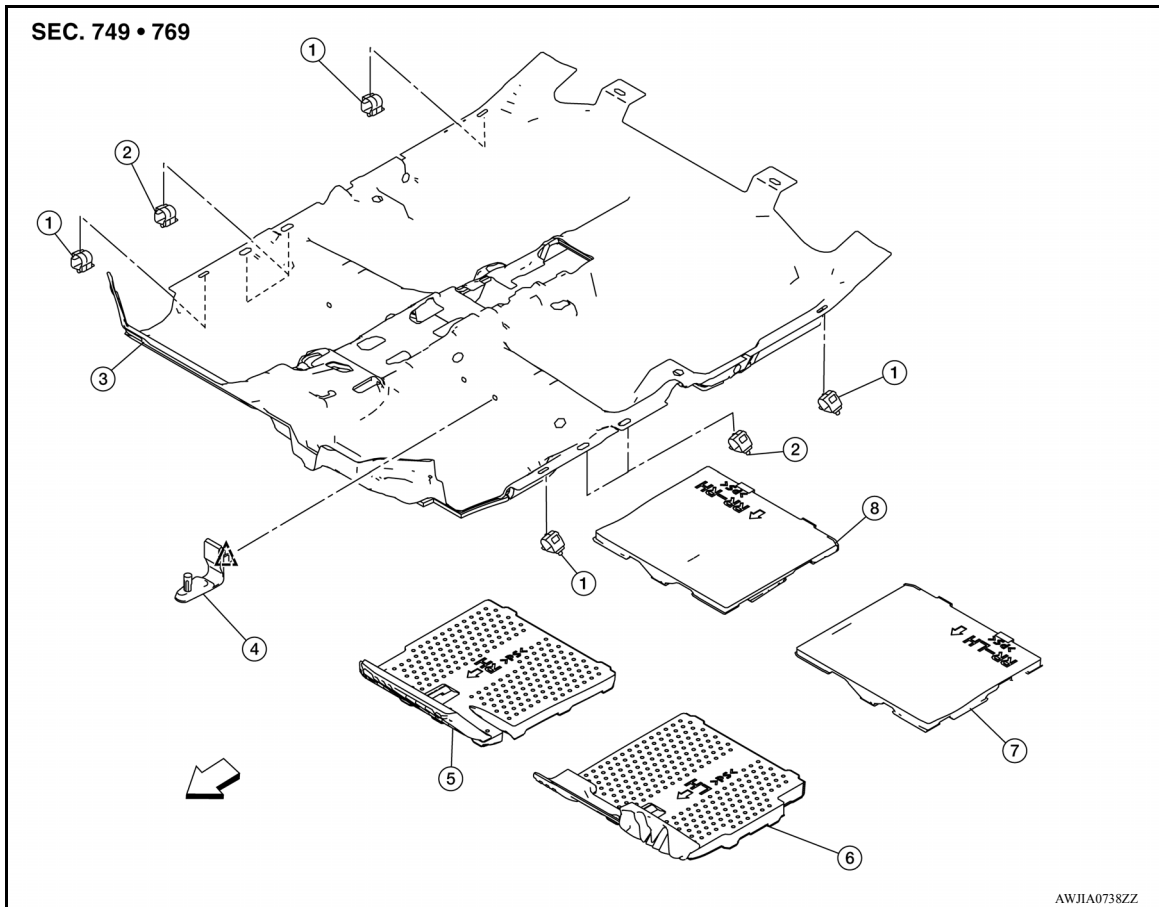
FLOOR TRIM

< REMOVAL AND INSTALLATION >

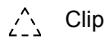
FLOOR TRIM

Exploded View

INFOID:00000009269480



- | | | |
|---------------------------|----------------------------|----------------------------|
| 1. Harness clip A | 2. Harness clip B | 3. Floor carpet |
| 4. Carpet hook | 5. Front floor spacer (RH) | 6. Front floor spacer (LH) |
| 7. Rear floor spacer (LH) | 8. Rear floor spacer (RH) | ⇐ Front |



Clip

Removal and Installation

INFOID:00000009269481

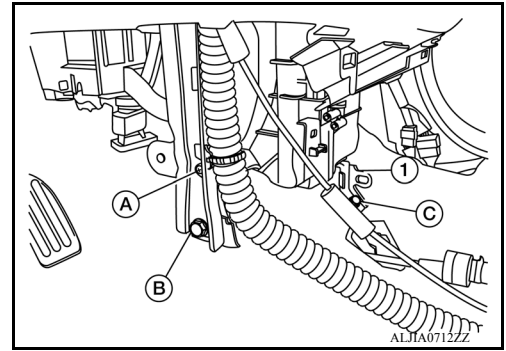
REMOVAL

1. Remove front seat assemblies (LH/RH). Refer to [SE-17, "DRIVER SIDE : Removal and Installation"](#).
2. Remove rear seat cushion. Refer to [SE-23, "Removal and Installation - Seat Cushion Assembly"](#).
3. Remove center console lower. Refer to [IP-25, "Removal and Installation"](#).
4. Remove dash side finishers (LH/RH). Refer to [INT-21, "DASH SIDE FINISHER : Removal and Installation"](#).
5. Remove center pillar lower finishers (LH/RH). Refer to [INT-23, "CENTER PILLAR LOWER FINISHER : Removal and Installation"](#).
6. Disconnect diagnosis sensor unit. Refer to [SR-27, "Removal and Installation"](#).
7. Remove shift selector assembly.
 - 5MT: Refer to [TM-23, "Removal and Installation"](#).
 - 4AT: Refer to [TM-233, "Removal and Installation"](#)
 - CVT: Refer to [TM-429, "Removal and Installation"](#)

FLOOR TRIM

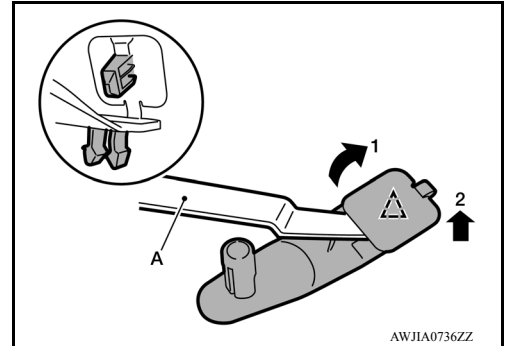
< REMOVAL AND INSTALLATION >

8. Remove A/C unit assembly bolt (C) and bracket (1) from vehicle.
9. Remove instrument panel lower bracket bolt (B) and screw (A) and reposition bracket as necessary to remove floor carpet.



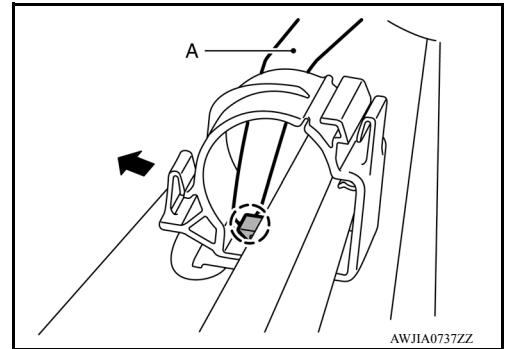
10. Release carpet hook clip with a suitable tool (A) and remove carpet hook.

△: Clip



11. Release pawl using a suitable tool (A) and open the harness clip.

○: Pawl



12. Remove floor carpet.

INSTALLATION

Installation is in the reverse order of removal.

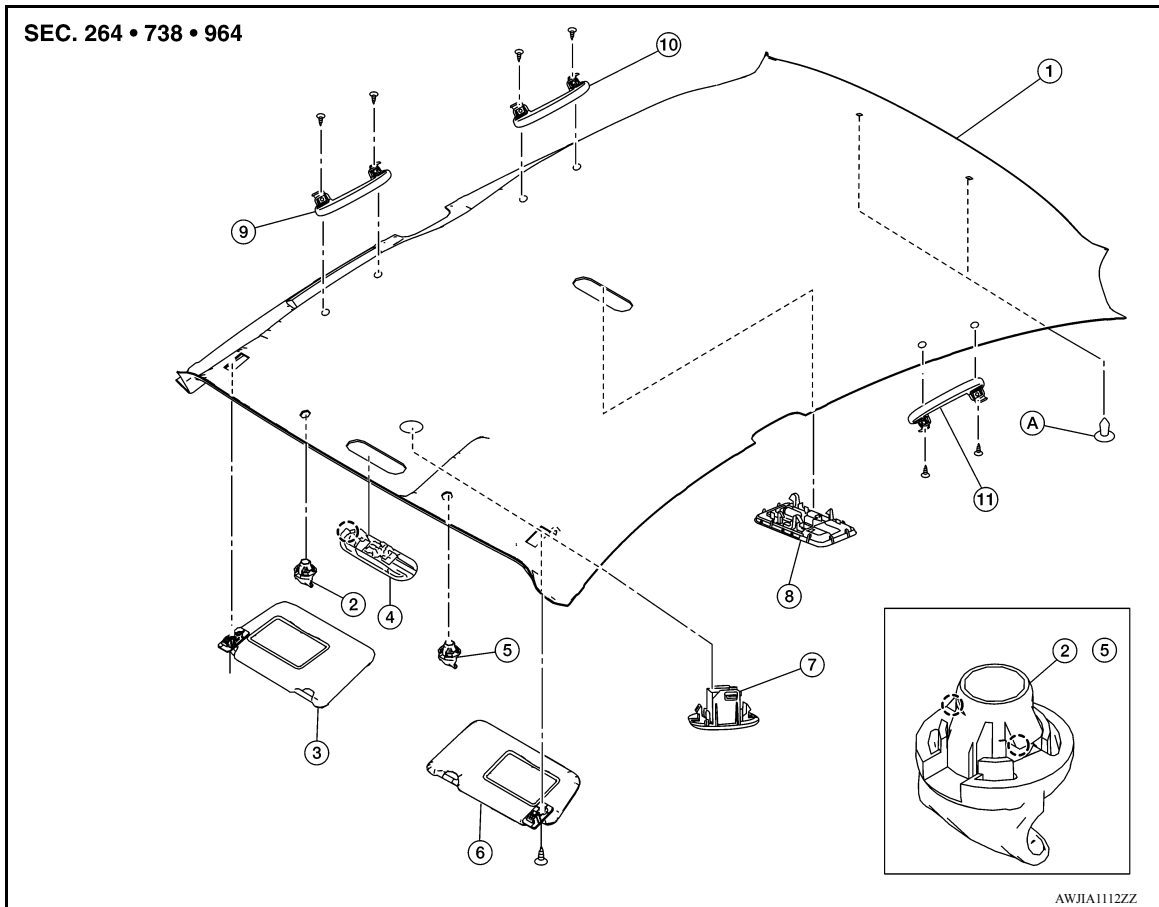
HEADLINING

< REMOVAL AND INSTALLATION >

HEADLINING

Exploded View

INFOID:000000009269482



- | | | |
|---|---|---|
| 1. Headlining assembly | 2. Sun visor assembly (RH) | 3. Sun visor assembly (RH) |
| 4. Map lamp (if equipped) | 5. Sun visor holder (LH) | 6. Sun visor assembly (LH) |
| 7. Microphone finisher (if equipped) | 8. Room lamp | 9. Front assist grip (RH) (if equipped) |
| 10. Rear assist grip (RH) (if equipped) | 11. Rear assist grip (LH) (if equipped) | A. Headlining clip |
- Pawl

Removal and Installation

INFOID:000000009269483

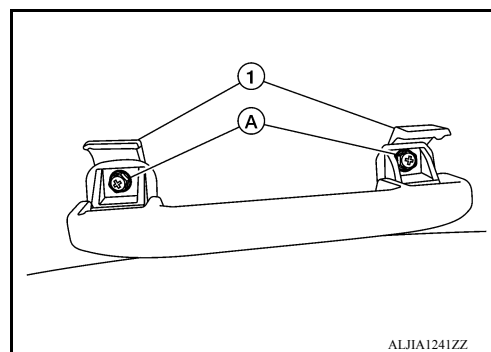
REMOVAL

1. Remove front pillar finishers (LH/RH). Refer to [INT-19, "FRONT PILLAR FINISHER : Removal and Installation"](#).
2. Remove sun visor assembly screws and sun visor assemblies (LH/RH).
3. Remove passenger seat. Refer to [SE-17, "DRIVER SIDE : Removal and Installation"](#).
NOTE:
Remove passenger seat to make room for headlining removal out of the LH rear door.
4. Remove lamp assemblies. Refer to [INL-50, "Removal and Installation"](#) (Map Lamp, if equipped) and [INL-52, "Removal and Installation"](#) (Interior Room Lamp).

HEADLINING

< REMOVAL AND INSTALLATION >

5. Remove all the assist grips.
 - a. Release assist grip cover (1).
 - b. Remove assist grip bolts and assist grip.



6. Remove center pillar upper finishers (LH/RH). Refer to [INT-23, "CENTER PILLAR UPPER FINISHER : Removal and Installation"](#).
7. Remove rear pillar finishers (LH/RH). Refer to [INT-24, "REAR PILLAR FINISHER : Removal and Installation"](#).
8. Insert a suitable tool (A) at approximately a 30 degree angle into the sun visor holder notch on the front of the sun visor holder (1) and press in the locking tab (B) to release it. While holding in lock tab (B), rotate the sun visor holder (1) 90 degrees to release it from the headlining.

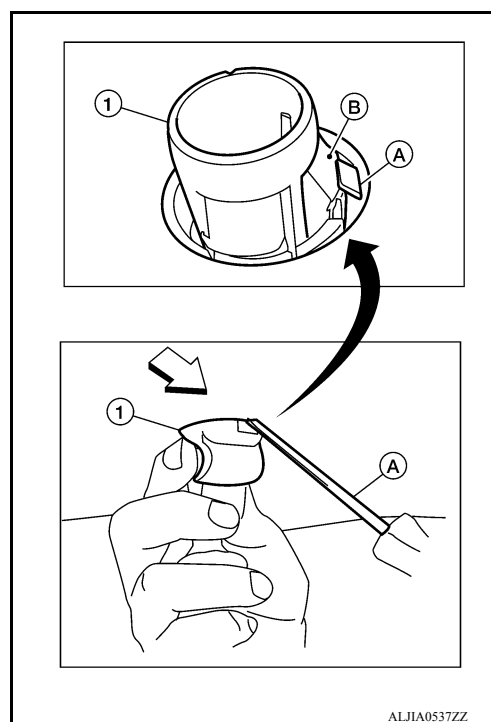
⇐: Front

CAUTION:

Do not force the sun visor holder when removing as the locking tab may be damaged if the suitable tool is not positioned correctly.

NOTE:

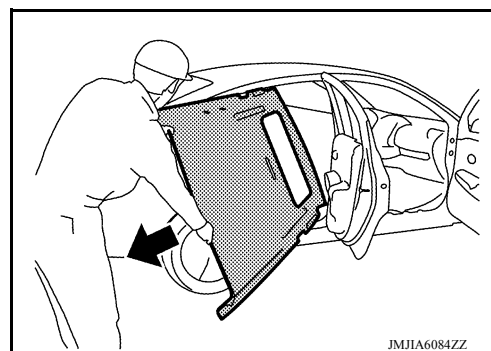
If the sun visor holder (1) does not fully rotate, make sure that the suitable tool (A) is pressing in on the locking tab (B) and is not positioned under locking tab (B). Reinsert the suitable tool (A) as necessary to release the locking tab (B).



9. Remove headlining clips.
10. Remove headlining assembly through the rear door.

CAUTION:

- Two people are required for removal to prevent damage to headlining.
- Apply protective tape to the portion where contact may occur during work.
- Do not bend headlining when removing.



INSTALLATION

Installation is in the reverse order of removal.

CAUTION:

- When installing headlining, start by installing both sun visor holders and headlining clips in order to keep the headlining in position.

HEADLINING

< REMOVAL AND INSTALLATION >

- Do not bend headlining when installing.
- Be careful that the surface is not wrinkled when installing.

A

B

C

D

E

F

G

H

I

INT

K

L

M

N

O

P

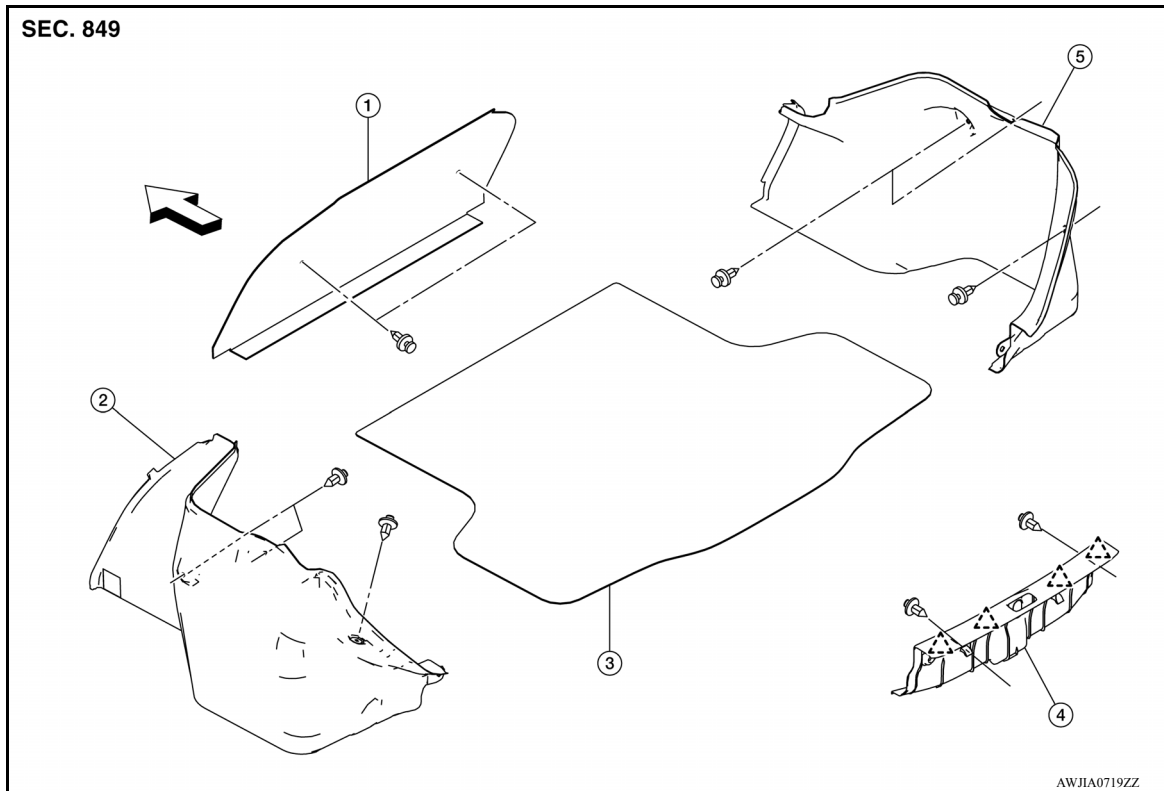
TRUNK ROOM TRIM

< REMOVAL AND INSTALLATION >

TRUNK ROOM TRIM

Exploded View

INFOID:000000009269484



- 1. Trunk front finisher (if equipped)
 - 2. Trunk side finisher (LH)
 - 3. Trunk floor carpet
 - 4. Trunk rear plate
 - 5. Trunk side finisher (RH)
- Pawl

↔ Front

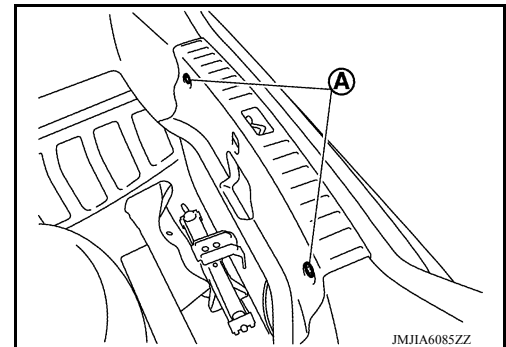
TRUNK REAR PLATE

TRUNK REAR PLATE : Removal and Installation

INFOID:000000009269485

REMOVAL

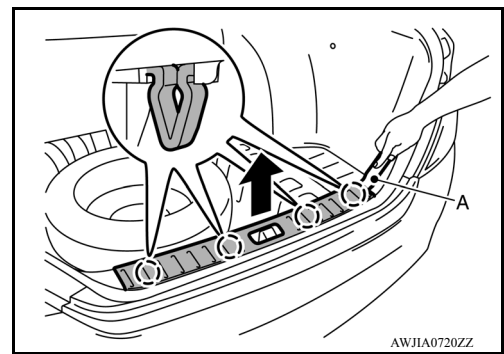
1. Fully open trunk lid.
2. Remove trunk floor carpet.
3. Remove trunk rear plate clips (A).



TRUNK ROOM TRIM

< REMOVAL AND INSTALLATION >

4. Release trunk rear plate pawls using a suitable tool (A) and remove trunk rear plate as shown.



INSTALLATION

Installation is in the reverse order of removal.

CAUTION:

When installing trunk rear plate, make sure that clips are securely pressed into body holes.

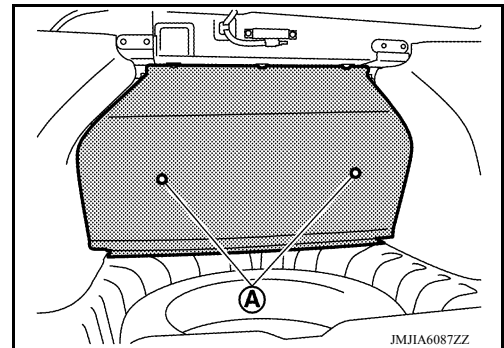
TRUNK FRONT FINISHER

TRUNK FRONT FINISHER : Removal and Installation

INFOID:000000009269486

REMOVAL

1. Fully open trunk lid.
2. Remove trunk floor carpet.
3. Remove trunk front finisher clips (A) and trunk front finisher.



INSTALLATION

Installation is in the reverse order of removal.

CAUTION:

When installing trunk front finisher, make sure that clips are securely pressed into body holes.

TRUNK SIDE FINISHER

TRUNK SIDE FINISHER : Removal and Installation

INFOID:000000009269487

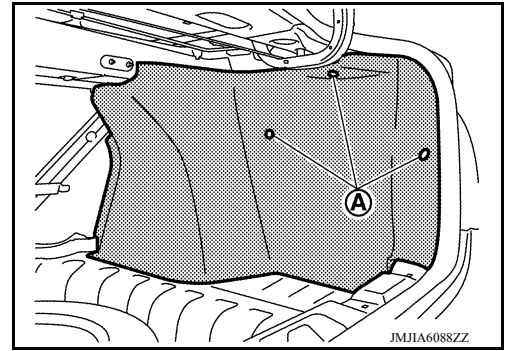
REMOVAL

1. Remove trunk rear plate. Refer to [INT-32, "TRUNK REAR PLATE : Removal and Installation"](#).
2. Remove trunk front finisher. Refer to [INT-33, "TRUNK FRONT FINISHER : Removal and Installation"](#).

TRUNK ROOM TRIM

< REMOVAL AND INSTALLATION >

3. Remove trunk side finisher clips (A) and trunk side finisher.



INSTALLATION

Installation is in the reverse order of removal.

CAUTION:

Make sure the rear end of trunk side finisher is positioned behind the trunk weatherstrip.

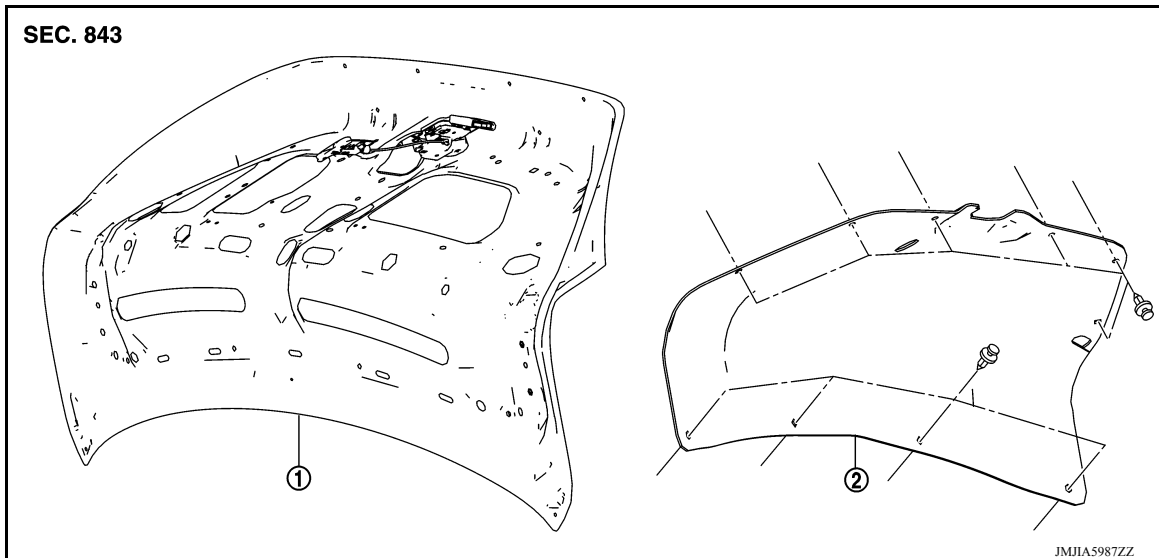
TRUNK LID TRIM

< REMOVAL AND INSTALLATION >

TRUNK LID TRIM

Exploded View

INFOID:000000009269488



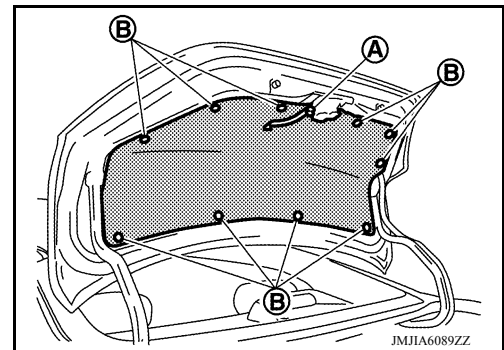
1. Trunk lid assembly
2. Trunk lid finisher

Removal and Installation

INFOID:000000009269489

REMOVAL

1. Fully open trunk lid.
2. Remove emergency release handle. Refer to [DLK-313, "EMERGENCY LEVER : Removal and Installation"](#).
3. Disconnect the harness connector (A) from the trunk lid lock assembly.
4. Remove trunk lid finisher clips (B) using a suitable tool and trunk lid finisher.



INSTALLATION

Installation is in the reverse order of removal.

A
B
C
D
E
F
G
H
I
INT
K
L
M
N
O
P