

SECTION ST
STEERING SYSTEM

A
 B
 C
 D
 E
 F
ST
 H
 I
 J
 K
 L
 M
 N
 O
 P

CONTENTS

PRECAUTION	2	Inspection	10
PRECAUTIONS	2	STEERING SHAFT	12
Precaution for Supplemental Restraint System (SRS) "AIR BAG" and "SEAT BELT PRE-TENSIONER"	2	Exploded View	12
Service Notice or Precautions for Steering System	2	Removal and Installation	12
		Inspection	13
PREPARATION	3	STEERING GEAR AND LINKAGE	14
PREPARATION	3	Exploded View	14
Special Service Tool	3	Removal and Installation	14
Commercial Service Tool	3	Inspection	14
BASIC INSPECTION	5	UNIT DISASSEMBLY AND ASSEMBLY ...	16
STEERING WHEEL	5	STEERING GEAR AND LINKAGE	16
Inspection	5	Exploded View	16
SYMPTOM DIAGNOSIS	7	Disassembly and Assembly	16
NOISE, VIBRATION AND HARSHNESS (NVH) TROUBLESHOOTING	7	Inspection	18
NVH Troubleshooting Chart	7	SERVICE DATA AND SPECIFICATIONS (SDS)	19
REMOVAL AND INSTALLATION	8	SERVICE DATA AND SPECIFICATIONS (SDS)	19
STEERING WHEEL	8	General Specifications	19
Exploded View	8	Steering Wheel Axial End Play and Play	19
Removal and Installation	8	Steering Wheel Turning Force	19
STEERING COLUMN	9	Steering Angle	19
Exploded View	9	Steering Column Operating Range	19
Removal and Installation	9	Rack Stroke	20
		Ball Joint Swing Force	20
		Ball Joint Axial End Play	20
		Inner Socket Length	20

PRECAUTIONS

< PRECAUTION >

PRECAUTION

PRECAUTIONS

Precaution for Supplemental Restraint System (SRS) "AIR BAG" and "SEAT BELT PRE-TENSIONER"

INFOID:000000012430493

The Supplemental Restraint System such as "AIR BAG" and "SEAT BELT PRE-TENSIONER", used along with a front seat belt, helps to reduce the risk or severity of injury to the driver and front passenger for certain types of collision. Information necessary to service the system safely is included in the SR and SB section of this Service Manual.

WARNING:

- To avoid rendering the SRS inoperative, which could increase the risk of personal injury or death in the event of a collision which would result in air bag inflation, all maintenance must be performed by an authorized NISSAN/INFINITI dealer.
- Improper maintenance, including incorrect removal and installation of the SRS, can lead to personal injury caused by unintentional activation of the system. For removal of Spiral Cable and Air Bag Module, see the SR section.
- Do not use electrical test equipment on any circuit related to the SRS unless instructed to in this Service Manual. SRS wiring harnesses can be identified by yellow and/or orange harnesses or harness connectors.

PRECAUTIONS WHEN USING POWER TOOLS (AIR OR ELECTRIC) AND HAMMERS

WARNING:

- When working near the Airbag Diagnosis Sensor Unit or other Airbag System sensors with the Ignition ON or engine running, DO NOT use air or electric power tools or strike near the sensor(s) with a hammer. Heavy vibration could activate the sensor(s) and deploy the air bag(s), possibly causing serious injury.
- When using air or electric power tools or hammers, always switch the Ignition OFF, disconnect the battery and wait at least three minutes before performing any service.

Service Notice or Precautions for Steering System

INFOID:000000012430494

- In case of removing the steering gear, make the final tightening with grounded and unloaded vehicle condition, and then check wheel alignment.
- Observe the following precautions when disassembling.
 - Before disassembly, thoroughly clean the outside of the unit.
 - Disassembly should be done in a clean work area. It is important to prevent the internal parts from becoming contaminated by dirt or other foreign matter.
 - For easier and proper assembly, place disassembled parts in order on a parts rack.
 - Use nylon cloth or paper towels to clean the parts; common shop rags can leave lint that might interfere with their operation.
 - Do not reuse non-reusable parts.
 - Before assembling, apply the specified grease to the directed parts.

FOR ELECTRIC POWER STEERING (EPS)

- During quick steering, rasping noise may be heard from around the steering wheel. This is not a malfunction. The noise is an operating noise of the EPS system under normal conditions. If the rasping noise occurs during slow steering, this may not be an operating noise of the system. In this case, it is necessary to find out the location of the noise and repair, if necessary.
- Do not repeat static steering. (Motor and EPS control unit could be heated.)

PREPARATION

< PREPARATION >

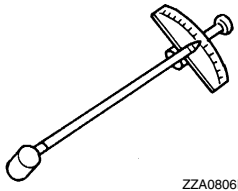
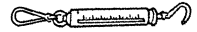
PREPARATION

PREPARATION

Special Service Tool

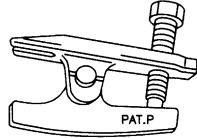
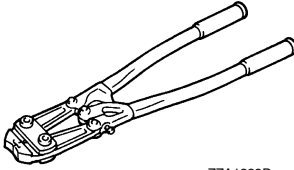
INFOID:0000000012430495

The actual shape of the tools may differ from those illustrated here.

Tool number (TechMate No.) Tool name	Description
ST3127S000 (J-25765-A) Preload gauge  ZZA0806D	Inspecting steering column rotating torque, pinion rotating torque and ball joint rotating torque
— (J-44372) Pull gauge  LST024	Measuring steering wheel turning force or rack sliding force

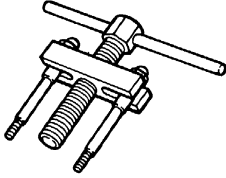

Commercial Service Tool

INFOID:0000000012430496

Tool name	Description
Ball joint remover  S-NT146	Remove steering outer socket
Boot band crimping tool  ZZA1229D	Installing boot clamp (large diameter)

PREPARATION

< PREPARATION >

Tool name	Description
<p data-bbox="164 197 375 224">Steering wheel puller</p>  <p data-bbox="824 417 891 434">ZZA0819D</p>	<p data-bbox="1005 197 1260 224">Removing steering wheel</p>
<p data-bbox="164 449 272 476">Power tool</p>  <p data-bbox="824 665 891 682">PIIB1407E</p>	<p data-bbox="1005 449 1341 476">Loosening nuts, screws and bolts</p>

STEERING WHEEL

< BASIC INSPECTION >

BASIC INSPECTION

STEERING WHEEL

Inspection

INFOID:000000012430497

CONDITION OF INSTALLATION

- Check installation conditions of steering gear, front suspension, axle and steering column.
- Check if movement exists when steering wheel is moved up and down, to the left and right and to the axial direction.

Steering wheel axial end play

: Refer to [ST-19, "Steering Wheel Axial End Play and Play"](#).

- Verify that the steering gear nuts are tightened to specification. Refer to [ST-14, "Exploded View"](#).

STEERING WHEEL PLAY

1. Set the front wheels and tires in the straight-ahead position, start engine, then lightly turn steering wheel to the left and right until the front wheels start to move. Measure steering wheel movement on the outer circumference.

Steering wheel play on the outer circumference

: Refer to [ST-19, "Steering Wheel Axial End Play and Play"](#).

2. When the measurement value is outside the standard value, check backlash for each joint of steering column and installation condition of steering gear.

STEERING WHEEL NEUTRAL POSITION

Check steering wheel neutral position using the following procedure:

1. Confirm that front wheel alignment is correct. Refer to [FSU-8, "Adjustment"](#).
2. Set the front wheels and tires in the straight-ahead position, check if steering wheel is in the neutral position.
3. If it is not in the neutral position, remove steering wheel and reinstall it correctly.
4. If the neutral position cannot be attained by repositioning the steering wheel two teeth or less on steering stem, loosen the steering gear outer socket lock nuts, then adjust the inner sockets by the same amount in the opposite direction.
5. Re-check the front wheel alignment. Refer to [FSU-8, "Adjustment"](#).

STEERING WHEEL TURNING FORCE

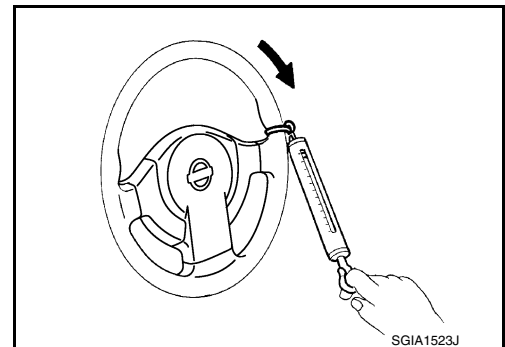
1. Park vehicle on a level and dry surface, set parking brake.
2. Tires need to be inflated normal pressure. Refer to [WT-54, "Tire Air Pressure"](#).
3. Start engine.
4. Check steering wheel turning force using Tool when steering wheel has been turned 360° from the neutral position.

Tool number : — (J-44372)

Steering wheel turning force

: Refer to [ST-19, "Steering Wheel Turning Force"](#).

5. If steering wheel turning force is out of specification, inspect steering column. Refer to [ST-10, "Inspection"](#).
6. If steering column meets specification, inspect steering gear. Refer to [ST-14, "Inspection"](#).



FRONT WHEEL TURNING ANGLE

1. Perform toe-in inspection. Refer to [FSU-8, "Adjustment"](#).

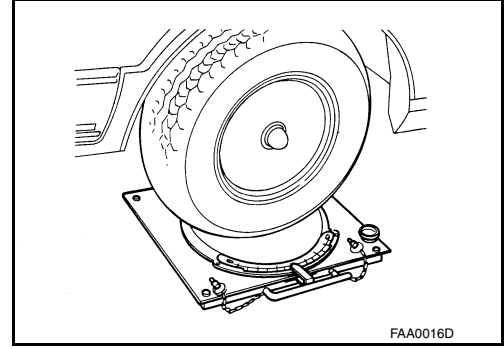
CAUTION:

STEERING WHEEL

< BASIC INSPECTION >

Perform front wheel turning angle inspection, after toe-in inspection.

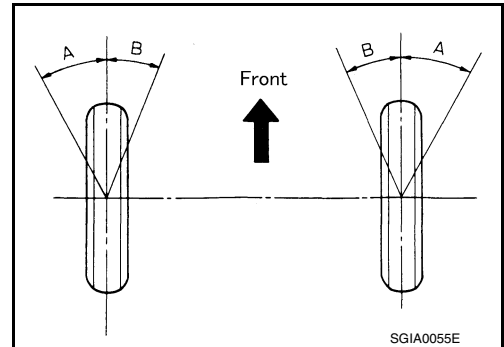
2. Place front wheels on turning radius gauges and rear wheels on stands, so that vehicle can be level.
3. Check the maximum inner and outer wheel turning angles for (LH/ RH) wheels and tires.



- With the engine at idle, turn steering wheel from full left stop to full right stop and measure the turning angles.

Inner wheel (Angle: A) : Refer to [ST-19, "Steering Angle"](#).

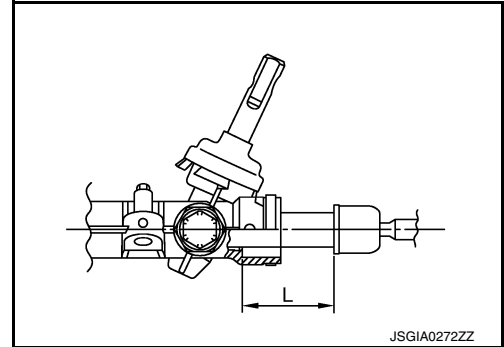
Outer wheel (Angle: B) : Refer to [ST-19, "Steering Angle"](#).



- Check the following items when turning angle is out of the standard.
 - Check rack stroke (L).

Rack stroke (L) : Refer to [ST-20, "Rack Stroke"](#).

- Disassemble steering gear to check the cause that rack stroke is outside of the standard.
- Steering angles are not adjustable. Check steering gear, steering column and front suspension components for wear or damage if any of the turning angles are different from the specified value. Replace any of them, if any non-standard condition exists.



NOISE, VIBRATION AND HARSHNESS (NVH) TROUBLESHOOTING

< SYMPTOM DIAGNOSIS >

SYMPTOM DIAGNOSIS

NOISE, VIBRATION AND HARSHNESS (NVH) TROUBLESHOOTING

NVH Troubleshooting Chart

INFOID:0000000012430498

Use the chart below to find the cause of the symptom. If necessary, repair or replace these parts.

Symptom	Possible cause and SUSPECTED PARTS											Reference page				
	Outer/inner socket ball joint swinging torque	Outer/inner socket ball joint rotating torque	Outer/inner socket ball joint end play	Steering wheel play	Improper steering wheel	Improper installation or looseness of tilt lock lever	Mounting looseness	Steering column deformation or damage	Improper installation or looseness of steering column	Steering linkage looseness	AXLE and SUSPENSION		TIRE	ROAD WHEEL	DRIVE SHAFT	BRAKE
Noise	x	x	x	x				x	x		x	x	x	x	x	ST-14. "Inspection"
Shake					x	x	x				x	x	x	x	x	ST-14. "Inspection"
Vibration					x	x	x	x	x		x	x		x		ST-14. "Inspection"
Shimmy					x		x			x	x	x				ST-5. "Inspection"
Shudder					x	x				x	x	x				ST-5. "Inspection"
																ST-9. "Removal and Installation"
																ST-14. "Exploded View"
																ST-10. "Inspection"
																ST-9. "Exploded View"
																ST-14. "Exploded View"
																FAX-6. "NVH Troubleshooting Chart"
																RAX-4. "NVH Troubleshooting Chart"
																FSU-5. "NVH Troubleshooting Chart"
																RSU-4. "NVH Troubleshooting Chart"
																WT-43. "NVH Troubleshooting Chart"
																WT-43. "NVH Troubleshooting Chart"
																FAX-6. "NVH Troubleshooting Chart"
																BR-7. "NVH Troubleshooting Chart"

x: Applicable

A
B
C
D
E
F
ST
H
I
J
K
L
M
N
O
P

STEERING WHEEL

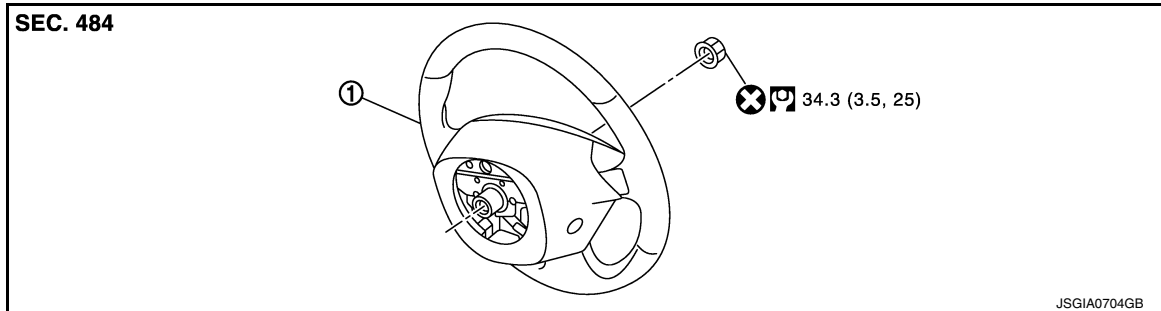
< REMOVAL AND INSTALLATION >

REMOVAL AND INSTALLATION

STEERING WHEEL

Exploded View

INFOID:000000012430499



1. Steering wheel

Removal and Installation

INFOID:000000012430500

REMOVAL

1. Set the front wheels and tires in the straight-ahead position.
2. Remove driver air bag module. Refer to [SR-12, "Removal and Installation"](#).
3. Remove steering wheel lock nut.
4. Remove steering wheel using suitable tool.

CAUTION:

Place a piece of tape across the spiral cable so it will not be rotated out of position.

5. Inspect steering wheel near the puller holes for damage. Replace as necessary.

INSTALLATION

Installation is in the reverse order of removal.

CAUTION:

Do not reuse steering wheel lock nut.

- Align spiral cable correctly before installing steering wheel. Make sure that the spiral cable is in the neutral position. Refer to [SR-16, "Removal and Installation"](#).
- Adjust the neutral position of the steering angle sensor. Refer to [BRC-55, "ADJUSTMENT OF STEERING ANGLE SENSOR NEUTRAL POSITION : Description"](#).

CAUTION:

- The spiral cable may snap due to steering operation if the cable is not installed in the correct position.
- With the steering linkage disconnected, the cable may snap by turning the steering wheel beyond the limited number of turns.

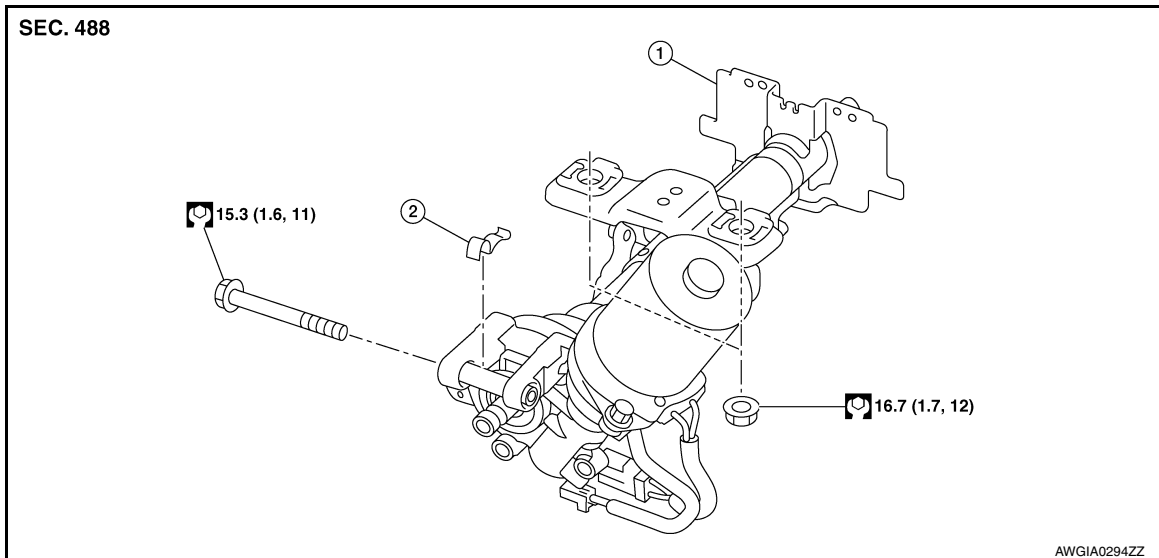
STEERING COLUMN

< REMOVAL AND INSTALLATION >

STEERING COLUMN

Exploded View

INFOID:000000012430501



1. Steering column

2. Clamp

Removal and Installation

INFOID:000000012430502

CAUTION:

- Any time the ignition switch has been disconnected, removed or installed; the vehicle keys must be re-registered in the BCM. Refer to CONSULT operations manual.
- Care must be taken not to rotate the steering gear during the removal or installation of the steering column.
- Care must be taken not to allow axial impact to the steering column during removal or installation.

REMOVAL

1. Set the front wheels and tires in the straight-ahead position.
2. Set the steering column tilt to the lowest position.
CAUTION:
Securely lock the tilt lever.
3. Remove instrument lower panel LH. Refer to [IP-24, "Removal and Installation"](#).
4. Remove spiral cable. Refer to [SR-16, "Removal and Installation"](#).
5. Remove combination switch. Refer to [EXL-107, "Removal and Installation"](#).
6. Remove cluster lid A. Refer to [IP-21, "Removal and Installation"](#).
7. Disconnect the harness connector from the ignition switch.
8. Disconnect the harness connector from the key switch.
9. For models with CVT but without intelligent key system, perform the following steps to separate key interlock cable from steering lock unit:

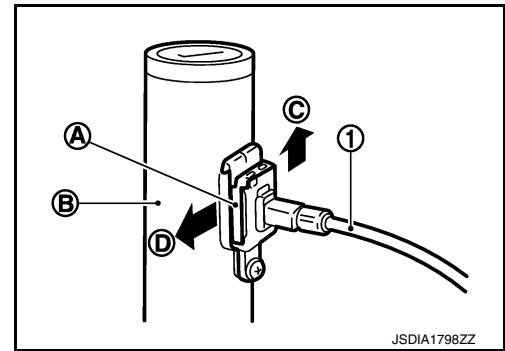
STEERING COLUMN

< REMOVAL AND INSTALLATION >

- a. Lift lock plate (A) in the direction of the arrow (←C) and remove in the direction of the arrow (←D).

- (1) :Key interlock cable
(B) :Steering lock unit

- b. Disconnect the key interlock cable from the steering lock unit.



10. Set the steering column tilt to the middle position.

CAUTION:

Do not change the position of the tilt mechanism until the steering column is reinstalled.

11. Loosen the steering shaft lower joint bolt.
12. Remove the steering intermediate shaft upper bolt and separate the steering intermediate shaft from the steering column. Refer to [ST-12. "Removal and Installation"](#).

CAUTION:

- Place a matching mark on both steering intermediate shaft and steering column before removing the steering intermediate shaft.
- When removing steering intermediate shaft, do not insert any tool into the yoke groove to pull out the steering intermediate shaft or damage could occur. Replace steering intermediate shaft if damaged.

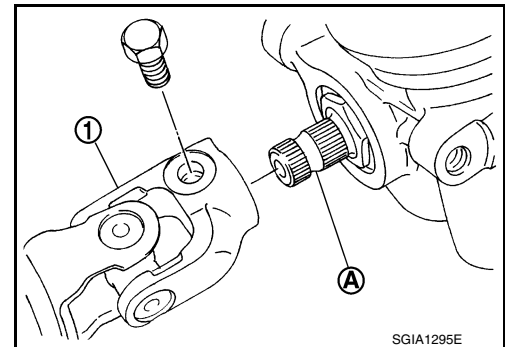
13. Disconnect EPS control unit harness connectors.
14. Remove steering column.
15. Remove EPS control unit from steering column if necessary. Refer to [STC-37. "Removal and Installation"](#).
16. For models without intelligent key system, remove the steering lock unit only if the steering column is being replaced. Refer to [DLK-311. "Removal and Installation - Steering lock unit"](#).
17. Remove clamp from steering column if necessary.
18. Inspect steering column after removal. Refer to [ST-10. "Inspection"](#).

INSTALLATION

Installation is in the reverse order of removal.

CAUTION:

- During installation, finger-tighten all of the bracket and joint retaining bolts, then tighten them to specification.
- When installing the steering column cover, check that the vehicle harness is not stuck in the cover.
- Replace the steering column if it has been dropped or sustained an impact.
- For intermediate shaft bolt direction, refer to [ST-12. "Exploded View"](#).
- When connecting intermediate shaft upper side (1) and column shaft, make sure the bolt is securely seated in groove (A) of column shaft before final tightening.
- After installing steering column, perform self-diagnosis with CONSULT to ensure correct operation. Refer to [STC-6. "CONSULT Function"](#).
- Inspect steering column after installation. Refer to [ST-10. "Inspection"](#).
- Adjust the neutral position of the steering angle sensor. Refer to [BRC-55. "ADJUSTMENT OF STEERING ANGLE SENSOR NEUTRAL POSITION : Description"](#).



Inspection

INSPECTION AFTER REMOVAL

- Check each part of steering column assembly for damage or other malfunctions. Replace if there are any abnormal conditions.

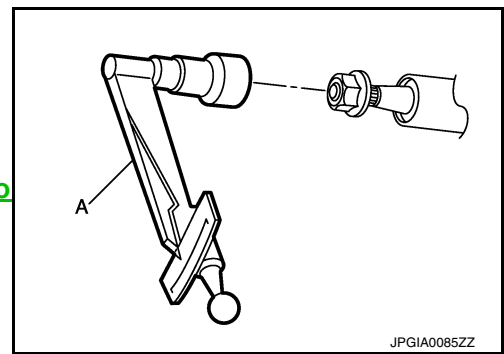
STEERING COLUMN

< REMOVAL AND INSTALLATION >

- Measure steering column rotating torque using Tool (A). Replace steering column if the rotating torque is outside specification

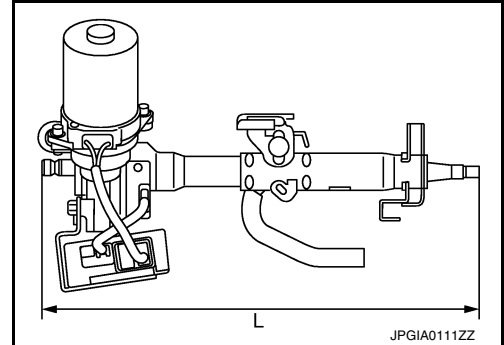
Tool number (A) : ST3127S000 (J-25765-A)

Rotating torque : Refer to [ST-19, "Steering Column Operating Range"](#).



- Measure the steering column length (L) as shown, if vehicle has been involved in a minor collision. Replace steering column if outside specification.

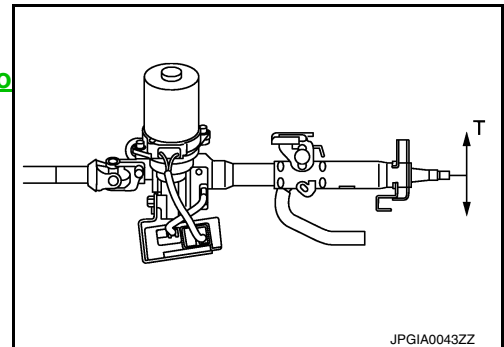
Steering column length (L) : Refer to [ST-19, "Steering Column Operating Range"](#).



INSPECTION AFTER INSTALLATION

- Rotate steering wheel to make sure it is centered and there is no binding, noise or excessive steering effort.
- Make sure that the number of turns are the same from the straight-ahead position to the left and right locks.
- Check each part of steering column for damage or other malfunctions. Replace if there are any abnormal conditions. Refer to [ST-10, "Inspection"](#).
- Check the steering wheel play, neutral position steering wheel, steering wheel turning force, and front wheel turning angle. Refer to [ST-5, "Inspection"](#).
- Check tilt mechanism operating range (T) as shown.

Tilt operating range (T) : Refer to [ST-19, "Steering Column Operating Range"](#).



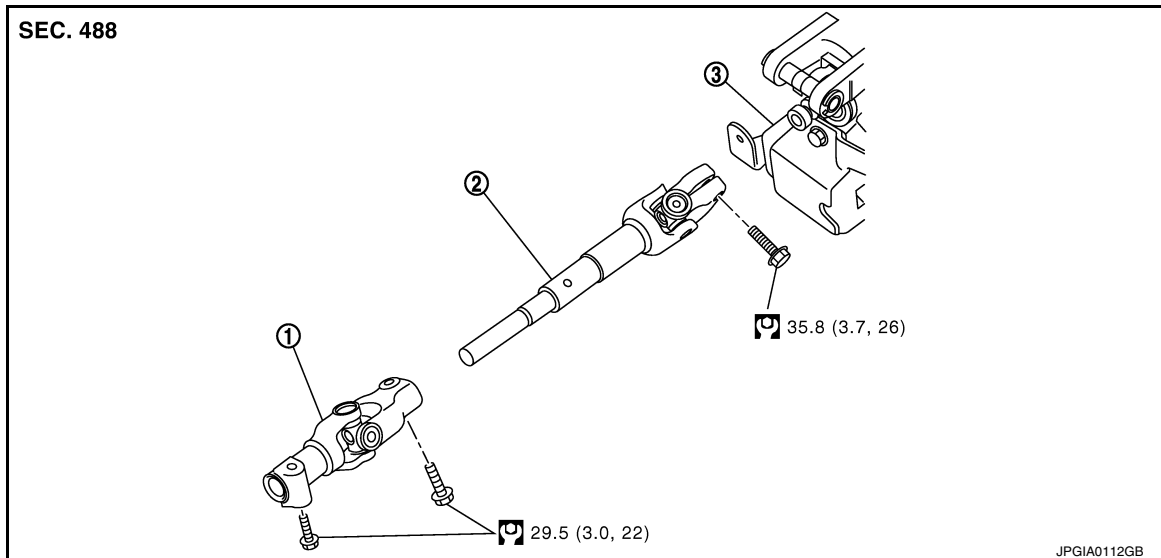
STEERING SHAFT

< REMOVAL AND INSTALLATION >

STEERING SHAFT

Exploded View

INFOID:000000012430504



1. Lower joint

2. Steering intermediate shaft

3. Steering column

Removal and Installation

INFOID:000000012430505

REMOVAL

CAUTION:

Spiral cable may be cut if steering wheel turns while separating steering column and steering gear. Be sure to secure steering wheel using string to avoid turning.

1. Set the front wheels and tires in the straight-ahead position.
2. Set the steering column tilt to the middle position.

CAUTION:

Securely lock the tilt lever.

3. Remove instrument lower panel LH. Refer to [IP-24, "Removal and Installation"](#).
4. Loosen lower joint upper bolt.
5. Remove lower joint lower bolt and separate lower joint from the steering gear lower shaft.

CAUTION:

- Place a matching mark on both lower joint and steering gear lower shaft before removing lower joint.
- When removing lower joint, do not insert any tool into the yoke groove to pull out the lower joint. Replace the lower joint if damaged.

6. Remove lower joint from steering intermediate shaft.
7. Remove the steering intermediate shaft bolt, from steering column, and remove steering intermediate shaft from steering column.

CAUTION:

- Place a matching mark on both steering intermediate shaft and steering column before removing steering intermediate shaft.
- When removing the steering intermediate shaft, do not insert any tool into the yoke groove to pull out the steering intermediate shaft or damage could occur. Replace the steering intermediate shaft if damaged.

INSTALLATION

CAUTION:

During installation, finger-tighten all of the bracket and joint retaining bolts; then tighten them to specification. Do not apply undue stress to the steering column.

Installation is in the reverse order of removal.

STEERING SHAFT

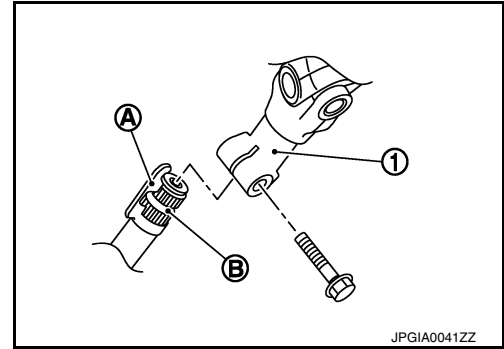
< REMOVAL AND INSTALLATION >

- Before installation, check that steering column tilt is in the middle position.
- For intermediate shaft bolt, and lower joint bolt direction, refer to [ST-12, "Exploded View"](#).
- To install align the steering gear guide protrusion (A) with the groove of lower joint (1), make sure the bolt is securely seated in groove (B) of steering gear before final tightening.

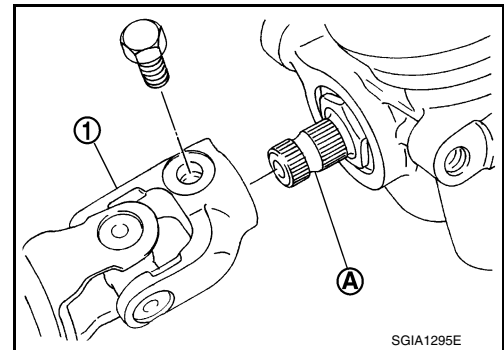
CAUTION:

If a guide protrusion is not included, align with the matching mark placed at the removal step.

- When tightening lower joint bolt to the steering gear lower shaft, temporarily tighten it and make sure there is no sticking or galling before final tightening.



- When connecting intermediate shaft upper side (1) and column shaft, make sure the bolt is securely seated in groove (A) of column shaft before final tightening.



- Perform inspection after installation. Refer to [ST-13, "Inspection"](#).

Inspection

INFOID:000000012430506

INSPECTION AFTER REMOVAL

- Check each part of steering intermediate shaft, lower joint, and steering column for damage or other malfunctions. Replace if there are any abnormal conditions.

INSPECTION AFTER INSTALLATION

- Rotate steering wheel to make sure it is centered and there is no binding, noise or excessive steering effort.
- Make sure that the number of turns are the same from the straight-ahead position to the left and right locks.
- Check each part of steering intermediate shaft, lower joint, and steering column for damage or other malfunctions. Replace if there are any abnormal conditions.
- Check the steering wheel play, neutral position steering wheel, steering wheel turning force, and front wheel turning angle. Refer to [ST-5, "Inspection"](#).
- Check the neutral position of the steering angle sensor. Refer to [BRC-55, "ADJUSTMENT OF STEERING ANGLE SENSOR NEUTRAL POSITION : Description"](#).

STEERING GEAR AND LINKAGE

< REMOVAL AND INSTALLATION >

INSPECTION AFTER INSTALLATION

- Rotate steering wheel to make sure it is centered and there is no binding, noise or excessive steering effort.
- Make sure that the number of turns are the same from the straight-ahead position to the left and right locks.
- Check each part of steering system for damage or other malfunctions. Replace if there are any abnormal conditions.
- Check the steering wheel play, neutral position steering wheel, steering wheel turning force, and front wheel turning angle. Refer to [ST-5, "Inspection"](#).
- Check wheel alignment. Refer to [FSU-8, "Adjustment"](#).
- Check the neutral position of the steering angle sensor. Refer to [BRC-55, "ADJUSTMENT OF STEERING ANGLE SENSOR NEUTRAL POSITION : Description"](#).

A
B
C
D
E
F
ST
H
I
J
K
L
M
N
O
P

STEERING GEAR AND LINKAGE

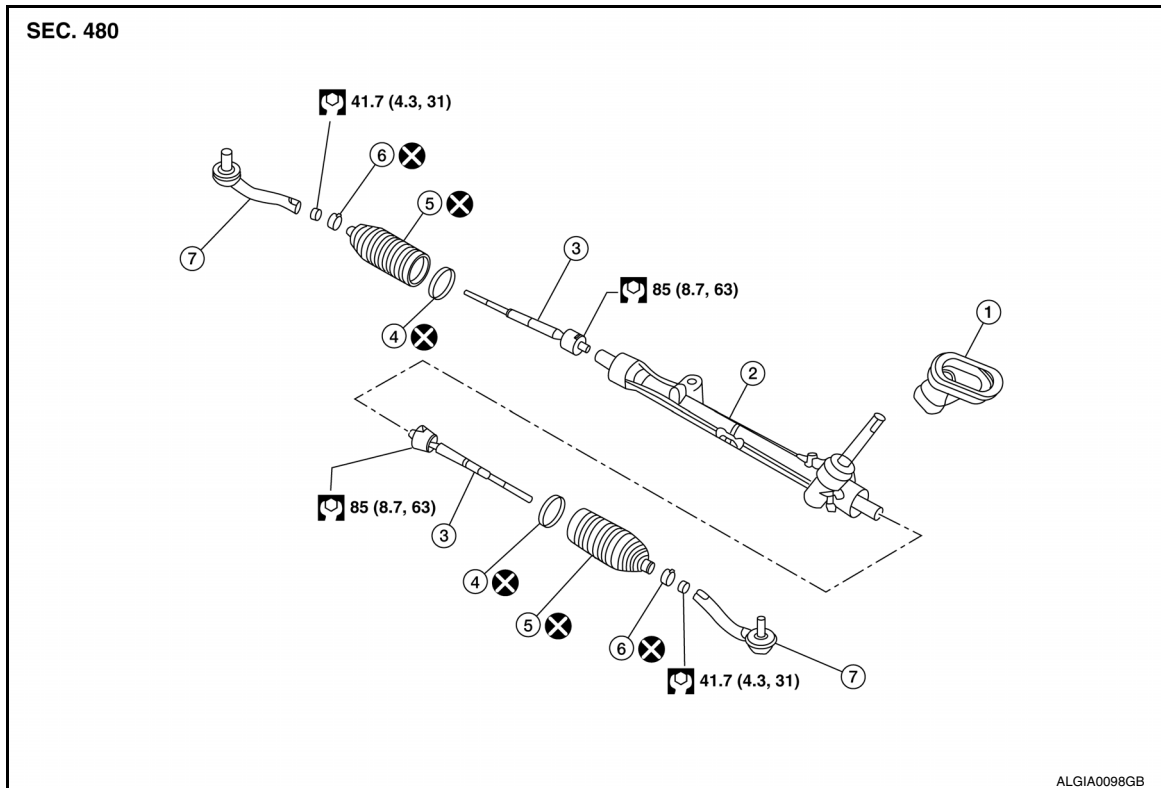
< UNIT DISASSEMBLY AND ASSEMBLY >

UNIT DISASSEMBLY AND ASSEMBLY

STEERING GEAR AND LINKAGE

Exploded View

INFOID:000000012430510



- | | | |
|---------------------|------------------|---------------------|
| 1. Joint cover | 2. Steering gear | 3. Inner socket |
| 4. Inner boot clamp | 5. Boot | 6. Outer boot clamp |
| 7. Outer socket | | |

Disassembly and Assembly

INFOID:000000012430511

DISASSEMBLY

1. Remove outer socket lock nut and outer socket.
CAUTION:
When loosening outer socket lock nut, be sure to hold outer socket with a suitable tool to prevent ball joint from contacting knuckle.
2. Remove inner boot clamp, outer boot clamp and remove boot.
CAUTION:
Do not damage inner socket or steering gear housing when removing boot.
3. Remove inner socket.

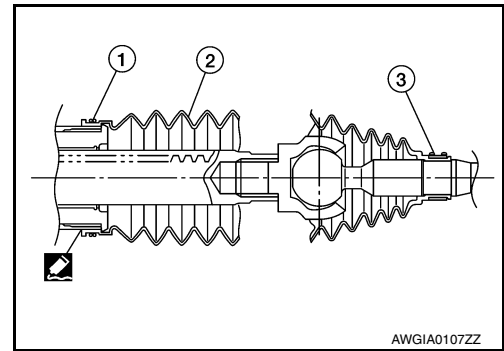
ASSEMBLY

1. Apply (Autolex A or Dow Corning 111) or equivalent to inner socket and turn pinion fully to retract inner socket into gear housing assembly.
CAUTION:
Make sure there are no contaminants in the grease, on the inner socket, or inside the steering gear housing.

STEERING GEAR AND LINKAGE

< UNIT DISASSEMBLY AND ASSEMBLY >

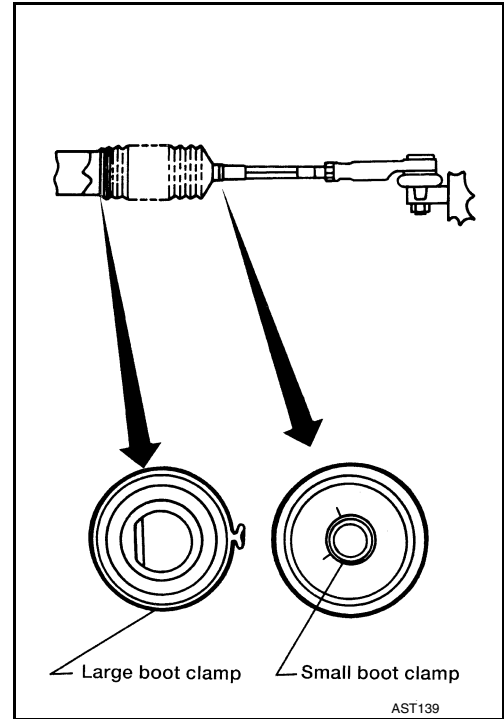
2. Install large end (1) of boot (2) to gear housing assembly.
3. Install small end (3) of boot (2) to inner socket boot mounting groove.



4. Install outer boot clamp to boot small end using suitable tool.
5. Install inner boot clamp to boot large end using suitable tool.

CAUTION:

Do not reuse boot clamps.

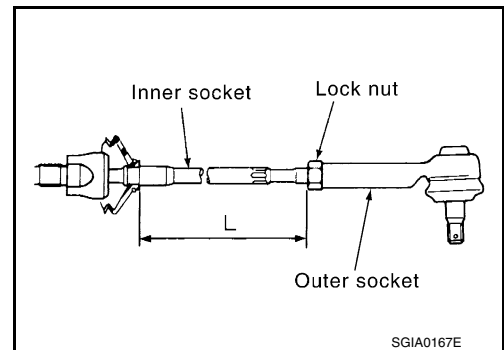


6. Install outer socket.
7. Adjust inner socket to standard length (L) and then tighten lock nut to the specified torque. Check length of inner socket (L) again after tightening lock nut.

Inner socket length (L) : Refer to [ST-20, "Inner Socket Length"](#).

CAUTION:

The length achieved after toe-in adjustment is not necessarily the above value.



8. Check wheel alignment. Refer to [FSU-8, "Adjustment"](#).

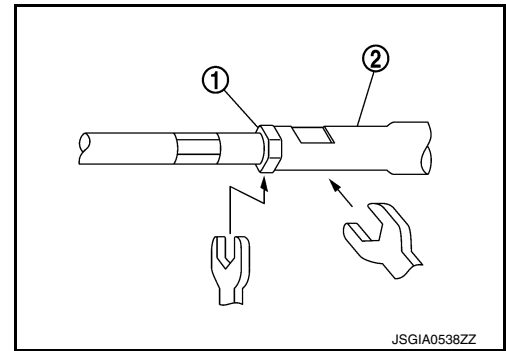
CAUTION:

A
B
C
D
E
F
ST
H
I
J
K
L
M
N
O
P

STEERING GEAR AND LINKAGE

< UNIT DISASSEMBLY AND ASSEMBLY >

When tightening outer socket lock nut (1), be sure to hold outer socket (2) using a suitable tool to prevent ball joint from contacting knuckle.



INFOID:000000012430512

Inspection

INSPECTION AFTER DISASSEMBLY

Boot

- Check boot for cracks and replace it if damage exists.

Steering gear

- Check steering gear for damage and scratches to the inner wall. Replace if there are any abnormal conditions.

Outer Socket and Inner Socket

Check the following items and replace the component if outside specification:

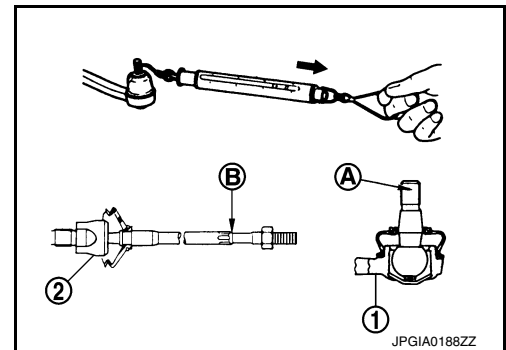
BALL JOINT SWINGING FORCE

- Hook a Tool at the point shown and pull the spring balance. Make sure that the Tool reads the specified value when ball stud and inner socket start to move. Replace outer socket (1) and inner socket (2) if they are outside the standard.

Tool number : — (J-44372)

Measuring point of outer socket (1) : Ball stud upper side (A)

Measuring point of inner socket (2) : Point (B)

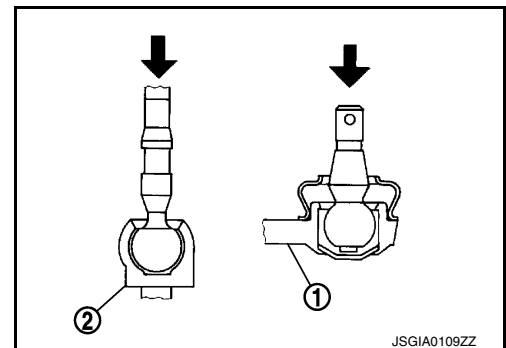


Swinging force : Refer to [ST-20, "Ball Joint Swinging Force"](#).

BALL JOINT AXIAL END PLAY

- Apply an axial load of 490 N (50 kg-f, 110 lb-f) to ball stud. Using a dial gauge, measure amount of stud movement and make sure that the value is within the following specified range. Replace outer socket (1) and inner socket (2) if the measured value is outside the standard.

Axial end play : Refer to [ST-20, "Ball Joint Axial End Play"](#).



SERVICE DATA AND SPECIFICATIONS (SDS)

< SERVICE DATA AND SPECIFICATIONS (SDS)

SERVICE DATA AND SPECIFICATIONS (SDS)

SERVICE DATA AND SPECIFICATIONS (SDS)

General Specifications

INFOID:0000000012430513

Steering gear model	R24K
---------------------	------

Steering Wheel Axial End Play and Play

INFOID:0000000012430514

Unit: mm (in)

Item	Standard
Steering wheel axial end play	0 (0)
Steering wheel play on the outer circumference	0 - 35 (0 - 1.38)

Steering Wheel Turning Force

INFOID:0000000012430515

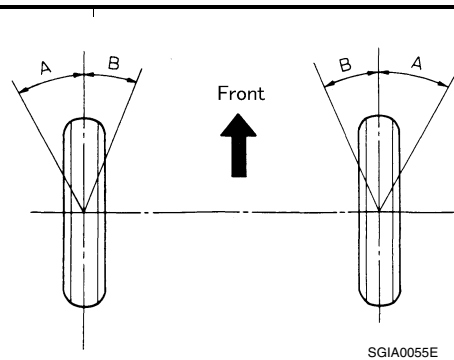
Unit: N (kg-f, lb-f)

Item	Standard
Steering wheel turning force	36 (3.7, 8.09) or less

Steering Angle

INFOID:0000000012430516

Unit: Degree minute (Decimal degree)



Item		Standard
Inner wheel (Angle A)	Minimum	34° 30' (34.5°)
	Nominal	37° 30' (37.5°)
	Maximum	38° 30' (38.5°)
Outer wheel (Angle B)	Nominal	32° 00' (32.0°)

Steering Column Operating Range

INFOID:0000000012430517

Item	Standard
Tilt operating range*	39.4 mm (1.551 in)
Rotating torque	1.4 - 2.1 N·m (0.14 - 0.21 kg·m, 12 - 19 in-lb)
Steering column length*	477.9 mm (18.81 in)

*: For measuring position, refer to [ST-10. "Inspection"](#).

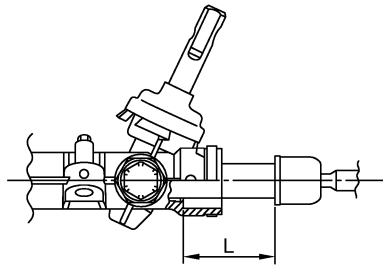
SERVICE DATA AND SPECIFICATIONS (SDS)

< SERVICE DATA AND SPECIFICATIONS (SDS)

Rack Stroke

INFOID:000000012430518

Unit: mm (in)



JSGIA0272ZZ

Item	Standard
Rack stroke neutral position (L)	64.6 (2.543)

Ball Joint Swing Force

INFOID:000000012430519

Item	Standard
Outer socket Spring balance measurement*	6.0 – 58 N (0.61 – 5.9 kg-f, 1.35 – 13.03 lb-f)
Inner socket Spring balance measurement*	3.5 – 34.7 N (0.36 – 3.5 kg-f, 0.79 – 7.8 lb-f)

*: For measuring position, refer to [ST-14, "Inspection"](#).

Ball Joint Axial End Play

INFOID:000000012430520

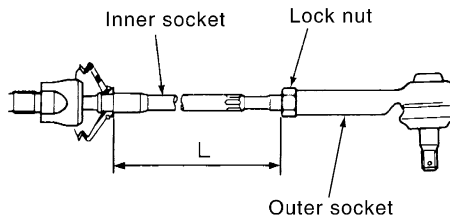
Unit: mm (in)

Item	Standard
Outer socket	0.5 (0.020) or less
Inner socket	0.2 (0.008 in) or less

Inner Socket Length

INFOID:000000012430521

Unit: mm (in)



SGIA0167E

Item	Standard
Inner socket length (L)	67.4 (2.654)