

# SECTION RFD

## REAR FINAL DRIVE

A  
B  
C  
**RFD**

### CONTENTS

<b>C200</b>		
<b>PRECAUTIONS</b> .....	<b>4</b>	
Service Notice or Precautions .....	4	
<b>PREPARATION</b> .....	<b>5</b>	
Special Service Tools .....	5	
Commercial Service Tools .....	7	
<b>NOISE, VIBRATION AND HARSHNESS (NVH)</b>		
<b>TROUBLESHOOTING</b> .....	<b>8</b>	
NVH Troubleshooting Chart .....	8	
<b>DESCRIPTION</b> .....	<b>9</b>	
Cross-Sectional View .....	9	
<b>DIFFERENTIAL GEAR OIL</b> .....	<b>10</b>	
Changing Differential Gear Oil .....	10	
DRAINING .....	10	
FILLING .....	10	
Checking Differential Gear Oil .....	10	
OIL LEAKAGE AND OIL LEVEL .....	10	
<b>FRONT OIL SEAL</b> .....	<b>11</b>	
Removal and Installation .....	11	
REMOVAL .....	11	
INSTALLATION .....	12	
<b>CARRIER COVER</b> .....	<b>13</b>	
Removal and Installation .....	13	
REMOVAL .....	13	
INSTALLATION .....	13	
<b>REAR FINAL DRIVE ASSEMBLY</b> .....	<b>14</b>	
Removal and Installation .....	14	
REMOVAL .....	14	
INSTALLATION .....	14	
Disassembly and Assembly .....	15	
COMPONENTS .....	15	
ASSEMBLY INSPECTION AND ADJUSTMENT..	17	
DISASSEMBLY .....	21	
INSPECTION AFTER DISASSEMBLY .....	24	
ADJUSTMENT AND SELECTION ADJUSTING		
WASHERS .....	25	
ASSEMBLY .....	30	
<b>SERVICE DATA AND SPECIFICATIONS (SDS)</b> .....	<b>35</b>	
General Specifications .....	35	
2WD MODELS .....	35	
4WD MODELS .....	35	
Inspection and Adjustment .....	35	
DRIVE GEAR RUNOUT .....	35	
DIFFERENTIAL SIDE GEAR CLEARANCE .....	35	
PRELOAD TORQUE .....	35	
BACKLASH .....	35	
COMPANION FLANGE RUNOUT .....	36	
SELECTIVE PARTS .....	36	
<b>M226 WITHOUT ELECTRONIC LOCKING DIFFERENTIAL</b>		
<b>PRECAUTIONS</b> .....	<b>37</b>	
Service Notice or Precautions .....	37	
<b>PREPARATION</b> .....	<b>38</b>	
Special Service Tools .....	38	
Commercial Service Tools .....	41	
<b>NOISE, VIBRATION, AND HARSHNESS (NVH)</b>		
<b>TROUBLESHOOTING</b> .....	<b>42</b>	
NVH Troubleshooting Chart .....	42	
<b>DESCRIPTION</b> .....	<b>43</b>	
Cross-Sectional View .....	43	
<b>DIFFERENTIAL GEAR OIL</b> .....	<b>44</b>	
Changing Differential Gear Oil .....	44	
DRAINING .....	44	
FILLING .....	44	
Checking Differential Gear Oil .....	44	
OIL LEAKAGE AND OIL LEVEL .....	44	
<b>FRONT OIL SEAL</b> .....	<b>45</b>	
Removal and Installation .....	45	
REMOVAL .....	45	
INSTALLATION .....	47	
<b>CARRIER COVER</b> .....	<b>48</b>	
Removal and Installation .....	48	
REMOVAL .....	48	
INSTALLATION .....	48	
<b>REAR FINAL DRIVE ASSEMBLY</b> .....	<b>49</b>	
Removal and Installation .....	49	
REMOVAL .....	49	

E  
F  
G  
H  
I  
J  
K  
L  
M

INSTALLATION .....	49	Differential Lock Control Unit Input/Output Signal	
Disassembly and Assembly .....	50	Reference Values .....	85
COMPONENTS .....	50	DIFFERENTIAL LOCK CONTROL UNIT	
ASSEMBLY INSPECTION AND ADJUSTMENT..	51	INSPECTION TABLE .....	85
DISASSEMBLY .....	54	CONSULT-II Function (DIFF LOCK) .....	87
INSPECTION AFTER DISASSEMBLY .....	58	FUNCTION .....	87
SELECTION ADJUSTING WASHERS .....	59	CONSULT-II SETTING PROCEDURE .....	87
ASSEMBLY .....	62	SELF-DIAG RESULTS MODE .....	88
<b>SERVICE DATA AND SPECIFICATIONS (SDS) .....</b>	<b>68</b>	DATA MONITOR MODE .....	90
General Specifications .....	68	<b>TROUBLE DIAGNOSIS FOR SYSTEM .....</b>	<b>91</b>
Inspection and Adjustment .....	68	Power Supply Circuit For Differential Lock Control	
DIFFERENTIAL SIDE GEAR CLEARANCE .....	68	Unit .....	91
PRELOAD TORQUE .....	68	CONSULT-II REFERENCE VALUE IN DATA	
BACKLASH .....	68	MONITOR MODE .....	91
COMPANION FLANGE RUNOUT .....	68	DIFFERENTIAL LOCK CONTROL UNIT TER-	
SELECTIVE PARTS .....	69	MINALS AND REFERENCE VALUE .....	91
		DIAGNOSTIC PROCEDURE .....	92
		Differential Lock Control Unit .....	93
		DIAGNOSTIC PROCEDURE .....	93
		Differential Lock Mode Switch .....	93
		CONSULT-II REFERENCE VALUE IN DATA	
		MONITOR MODE .....	93
		DIFFERENTIAL LOCK CONTROL UNIT TER-	
		MINALS AND REFERENCE VALUE .....	93
		DIAGNOSTIC PROCEDURE .....	94
		COMPONENT INSPECTION .....	96
		Differential Lock Position Switch .....	97
		CONSULT-II REFERENCE VALUE IN DATA	
		MONITOR MODE .....	97
		DIFFERENTIAL CONTROL UNIT TERMINALS	
		AND REFERENCE VALUE .....	97
		DIAGNOSTIC PROCEDURE .....	98
		Differential Lock Solenoid Relay .....	100
		CONSULT-II REFERENCE VALUE IN DATA	
		MONITOR MODE .....	100
		DIAGNOSTIC PROCEDURE .....	100
		Differential Lock Solenoid .....	101
		CONSULT-II REFERENCE VALUE IN DATA	
		MONITOR MODE .....	101
		DIFFERENTIAL LOCK CONTROL UNIT TER-	
		MINALS AND REFERENCE VALUE .....	101
		DIAGNOSTIC PROCEDURE .....	102
		COMPONENT INSPECTION .....	105
		ABS System .....	105
		DIAGNOSTIC PROCEDURE .....	105
		CAN Communication Line .....	106
		DIAGNOSTIC PROCEDURE .....	106
		<b>TROUBLE DIAGNOSIS FOR SYMPTOMS .....</b>	<b>107</b>
		DIFF LOCK Indicator Lamp Does Not Turn ON ...	107
		DIAGNOSTIC PROCEDURE .....	107
		DIFF LOCK Indicator Lamp Does Not Change ...	110
		DIAGNOSTIC PROCEDURE .....	110
		DIFF LOCK Indicator Lamp Sometimes Flashes .	111
		DIAGNOSTIC PROCEDURE .....	111
		<b>DIFFERENTIAL LOCK CONTROL UNIT .....</b>	<b>113</b>
		Removal and Installation .....	113
		REMOVAL .....	113
		INSTALLATION .....	113

<b>DIFFERENTIAL LOCK POSITION SWITCH</b> .....	<b>114</b>	INSTALLATION .....	122	
Removal and Installation .....	114	Disassembly and Assembly .....	123	A
REMOVAL .....	114	COMPONENTS .....	123	
INSTALLATION .....	115	ASSEMBLY INSPECTION AND ADJUSTMENT .....	124	
<b>FRONT OIL SEAL</b> .....	<b>118</b>	DISASSEMBLY .....	127	B
Removal and Installation .....	118	INSPECTION AFTER DISASSEMBLY .....	131	
REMOVAL .....	118	SELECTION ADJUSTING WASHERS .....	132	
INSTALLATION .....	120	ASSEMBLY .....	134	C
<b>CARRIER COVER</b> .....	<b>121</b>	<b>SERVICE DATA AND SPECIFICATIONS (SDS) ...</b>	<b>139</b>	
Removal and Installation .....	121	General Specifications .....	139	
REMOVAL .....	121	Inspection and Adjustment .....	139	RFD
INSTALLATION .....	121	PRELOAD TORQUE .....	139	
<b>REAR FINAL DRIVE ASSEMBLY</b> .....	<b>122</b>	BACKLASH .....	139	
Removal and Installation .....	122	COMPANION FLANGE RUNOUT .....	139	
REMOVAL .....	122	SELECTIVE PARTS .....	140	E

---

## PRECAUTIONS

### Service Notice or Precautions

EDS002Z8

- Check for the correct installation status prior to removal or disassembly. If matching marks are required, be certain they do not interfere with the function of the parts when applied.
- Overhaul should be done in a clean work area, it is preferable to work in dust proof area.
- Before disassembly completely remove sand and mud from the exterior of the unit, preventing them from entering into the unit during disassembly or assembly.
- Check appearance of the disassembled parts for damage, deformation, and unusual wear. Replace them with a new ones if necessary.
- Gaskets, seals and O-rings should be replaced any time when the unit is disassembled.
- In principle, tighten bolts or nuts gradually in several steps working diagonally from inside to outside. If tightening sequence is specified, observe it.
- Clean and flush the parts sufficiently and blow-dry them.
- Be careful not to damage sliding surfaces and mating surfaces.
- When applying sealant, remove the old sealant from the mounting surface; then remove any moisture, oil, and foreign materials from the application and mounting surfaces.
- Always use shop paper for cleaning the inside of components.
- Avoid using cotton gloves or shop rags to prevent entering of lint.
- During assembly, observe the specified tightening torque, and apply new differential gear oil, petroleum jelly, or multi-purpose grease as specified.

# PREPARATION

[C200]

PF0:00002

EDS00229

## PREPARATION

### Special Service Tools

The actual shapes of Kent-Moore tools may differ from those of special service tools illustrated here.

Tool number (Kent-Moore No.) Tool name	Description
KV38108300 ( — ) Flange wrench	Removing and installing drive pinion lock nut
KV38100500 (J-25273) Drift	Installing front oil seal <b>a: 80 mm (3.15 in) dia.</b> <b>b: 60 mm (2.36 in) dia.</b>
ST3127S000 (J-25765-A) Preload gauge 1: GG91030000 (J-25765) Torque wrench 2: HT62940000 ( — ) Socket adapter (1/2") 3: HT62900000 ( — ) Socket adapter (3/8")	Measuring pinion bearing preload and total preload
KV10111100 (J-37228) Seal cutter	Removing rear cover
ST3306S001 ( — ) Differential side bearing puller set 1: ST33051001 (J-22888-20) Puller 2: ST33061000 (J-8107-2) Base	Removing and installing side bearing inner race <b>a: 28.5 mm (1.122 in) dia.</b> <b>b: 38 mm (1.50 in) dia.</b>
ST30031000 (J-22912-01) Puller	Removing pinion rear bearing inner race

A

B

C

RFD

E

F

G

H

I

J

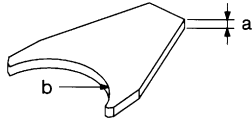
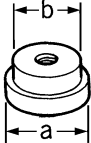
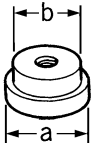
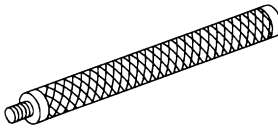
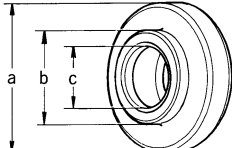
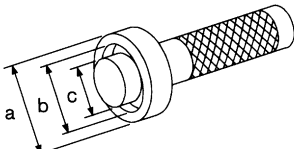
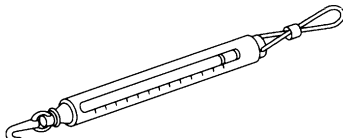
K

L

M

# PREPARATION

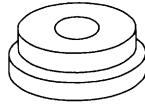
**[C200]**

Tool number (Kent-Moore No.) Tool name	Description
KV38100600 (J-25267) Drift <div style="text-align: center;">  <p>NT528</p> </div>	Installing side bearing adjusting washer <b>a: 8 mm (0.31 in)</b> <b>b: R42.5 mm (1.673 in)</b>
ST30621000 (J-25742-5) Drift <div style="text-align: center;">  <p>ZZA1000D</p> </div>	Installing pinion rear bearing outer race <b>a: 79 mm (3.11 in) dia.</b> <b>b: 59 mm (2.32 in) dia.</b>
ST30613000 (J-25742-3) Drift <div style="text-align: center;">  <p>ZZA1000D</p> </div>	Installing pinion front bearing outer race <b>a: 72 mm (2.83 in) dia.</b> <b>b: 48 mm (1.89 in) dia.</b>
ST30611000 (J-25742-1) Drift bar <div style="text-align: center;">  <p>S-NT090</p> </div>	Installing pinion front bearing outer race [Use with ST30613000 (J-25742-3) and ST30621000 (J-25742-5)]
ST30901000 (J-26010-01) Drift <div style="text-align: center;">  <p>ZZA0978D</p> </div>	Installing pinion rear bearing inner race <b>a: 79 mm (3.11 in) dia.</b> <b>b: 45 mm (1.77 in) dia.</b> <b>c: 35.2 mm (1.386 in) dia.</b>
ST3323 0000 (J-25805-01) Drift <div style="text-align: center;">  <p>NT085</p> </div>	Installing side bearing inner race <b>a: 51 mm (2.01 in) dia.</b> <b>b: 41 mm (1.61 in) dia.</b> <b>c: 28.5 mm (1.122 in) dia.</b>
— (J-8129) Spring gauge <div style="text-align: center;">  <p>NT127</p> </div>	Measuring turning torque

# PREPARATION

[C200]

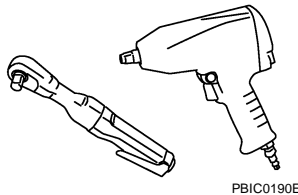
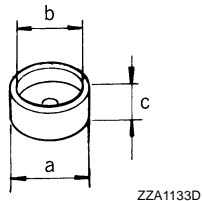
Tool number (Kent-Moore No.) Tool name	Description	
— (J-34309) Differential shim selector tool	Adjusting bearing preload and pinion gear height	A B C
— (J-25269-4) Side bearing disc (2 Req'd)	Selecting pinion height adjusting washer	RFD E



## Commercial Service Tools

EDS002ZA

Tool name	Description	
Spacer	Installing pinion front bearing inner race <b>a: 60 mm (2.36 in) dia.</b> <b>b: 36 mm (1.42 in) dia.</b> <b>c: 30 mm (1.18 in)</b>	F G H I
Power tool	Loosening nuts and bolts	J K L M







# DESCRIPTION

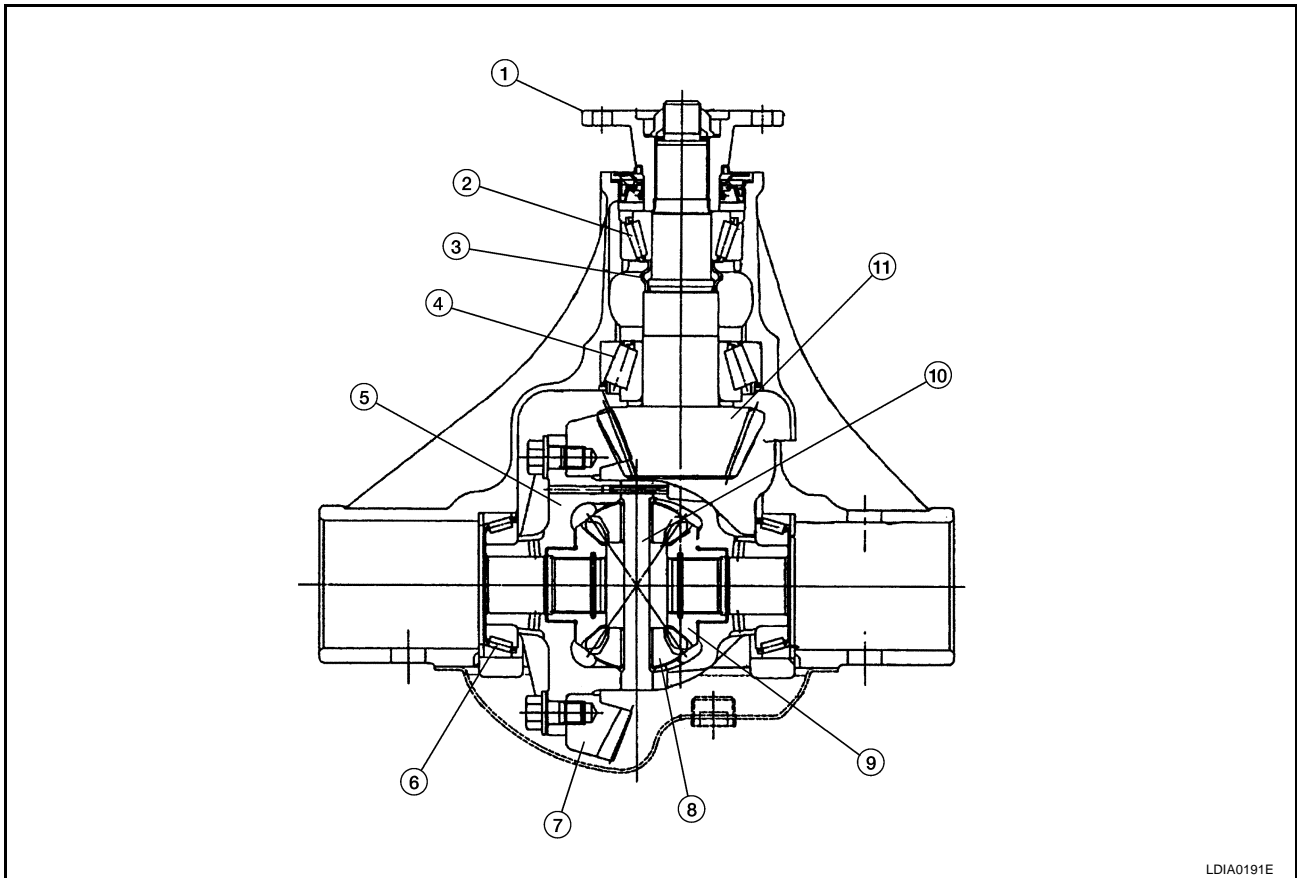
[C200]

PF0:0000

EDS002ZC

## DESCRIPTION

### Cross-Sectional View



- |                        |                         |                       |
|------------------------|-------------------------|-----------------------|
| 1. Companion flange    | 2. Pinion front bearing | 3. Collapsible spacer |
| 4. Pinion rear bearing | 5. Differential case    | 6. Side bearing       |
| 7. Drive gear          | 8. Pinion mate gear     | 9. Side gear          |
| 10. Pinion mate shaft  | 11. Drive pinion        |                       |

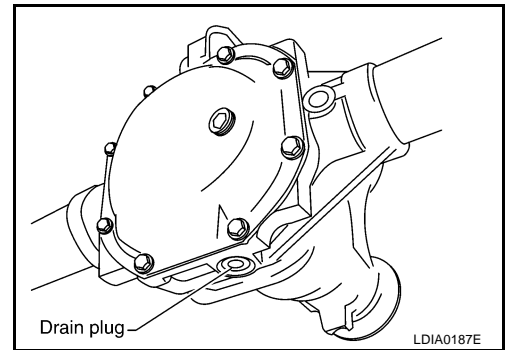
A  
B  
C  
RFD  
E  
F  
G  
H  
I  
J  
K  
L  
M

## DIFFERENTIAL GEAR OIL

### Changing Differential Gear Oil DRAINING

1. Stop engine.
2. Remove drain plug and drain gear oil.
3. Set a new gasket on drain plug and install it to final drive assembly and tighten to the specified torque. Refer to [RFD-15, "COMPONENTS"](#) .

**CAUTION:**  
Do not reuse gasket.



### FILLING

1. Remove filler plug. Fill with new gear oil until oil level reaches the specified level near filler plug hole.

**Oil grade and Viscosity:**

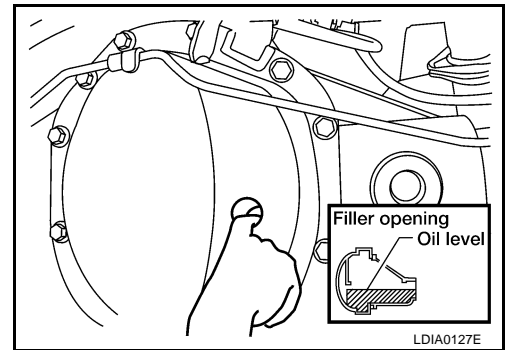
Refer to [MA-11, "Fluids and Lubricants"](#) .

**Oil capacity:**

Refer to [MA-11, "Fluids and Lubricants"](#) .

2. After refilling oil, check oil level. Apply sealant to filler plug. Install filler plug to final drive assembly and tighten to the specified torque. Refer to [RFD-15, "COMPONENTS"](#) .

- Use Genuine Silicone RTV or equivalent. Refer to [GI-46, "Recommended Chemical Products and Sealants"](#) .



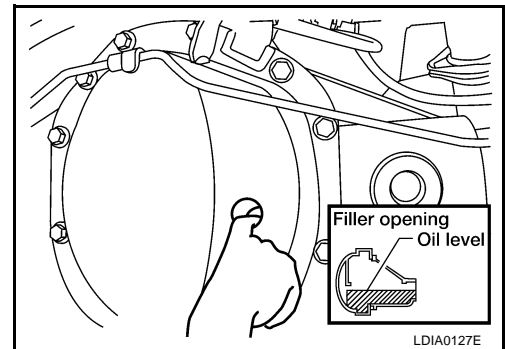
### Checking Differential Gear Oil OIL LEAKAGE AND OIL LEVEL

1. Make sure that gear oil is not leaking from final drive assembly or around it.
2. Check oil level from filler plug hole as shown.

**CAUTION:**  
Do not start engine while checking oil level.

3. Apply sealant to filler plug. Install filler plug to final drive assembly and tighten to the specified torque. Refer to [RFD-50, "COMPONENTS"](#) .

- Use Genuine Silicone RTV or equivalent. Refer to [GI-46, "Recommended Chemical Products and Sealants"](#) .



FRONT OIL SEAL

Removal and Installation

REMOVAL

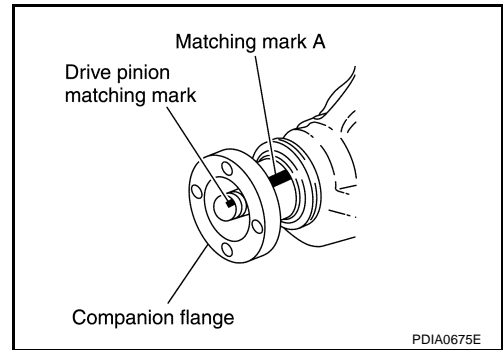
1. Remove the propeller shaft. Refer to [PR-5, "Removal and Installation"](#) .
2. Put matching mark on the end of the drive pinion. The matching mark should be in line with the matching mark A on companion flange.

**CAUTION:**

For matching mark, use paint. Do not damage drive pinion.

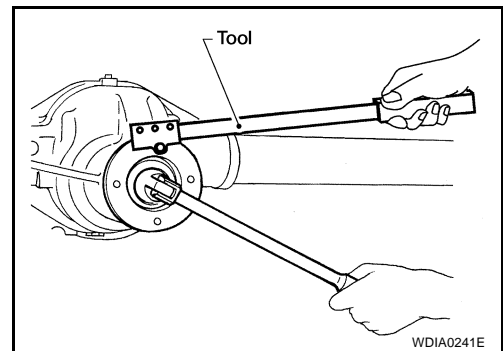
**NOTE:**

The matching mark A on the final drive companion flange indicates the maximum vertical runout position.

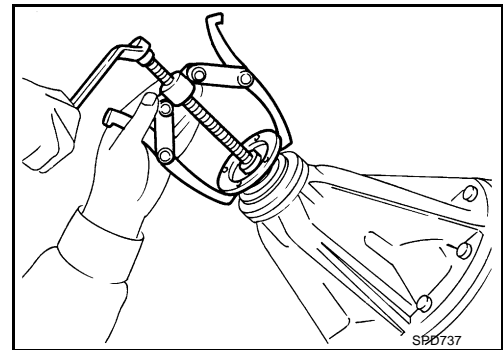


3. Remove the drive pinion lock nut using Tool.

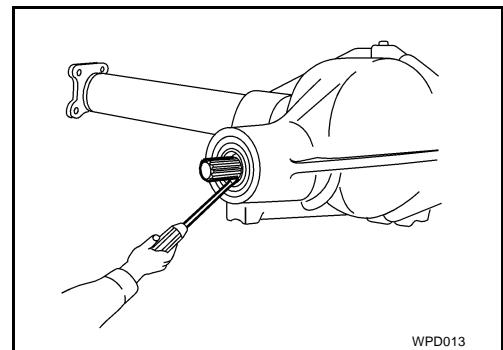
Tool number : KV38108300 ( — )



4. Remove the companion flange using suitable tool.



5. Remove the front oil seal using suitable tool.



A  
B  
C  
RFD  
E  
F  
G  
H  
I  
J  
K  
L  
M

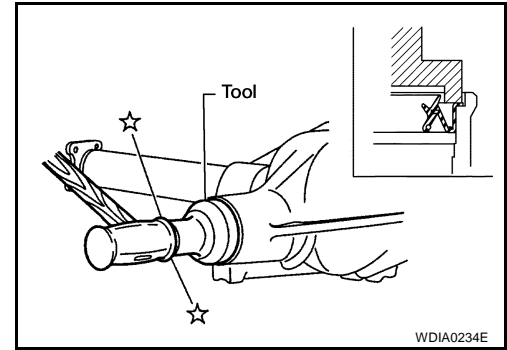
## INSTALLATION

1. Apply multi-purpose grease to the front oil seal lips.
2. Install the new front oil seal using Tool.

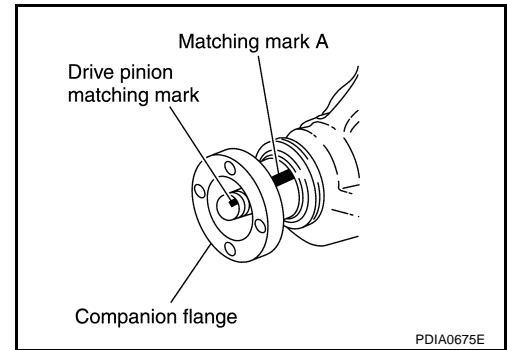
**Tool number : KV38100500 (J-25273)**

**CAUTION:**

- Do not reuse oil seal.
- Do not incline oil seal when installing.



3. Align the matching mark of drive pinion with the matching mark A of companion flange, then install the companion flange.



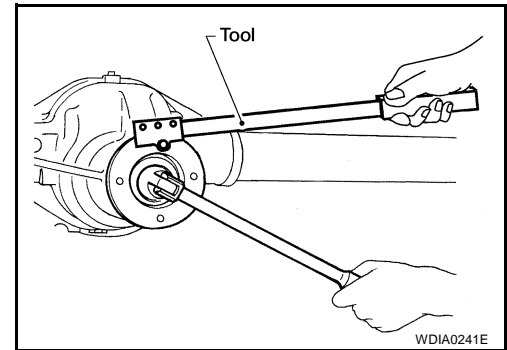
4. Apply gear oil on the screw part of drive pinion and the seating surface of drive pinion lock nut.
5. Install the new drive pinion lock nut and tighten to the specified torque using Tool. Refer to [RFD-15, "COMPONENTS"](#).

**Tool number : KV38108300 ( — )**

**CAUTION:**

**Do not reuse drive pinion lock nut.**

6. Install the propeller shaft. Refer to [PR-5, "Removal and Installation"](#).

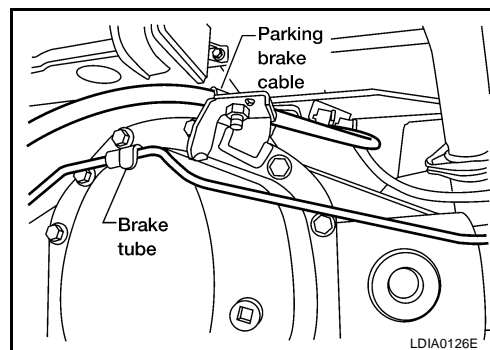


## CARRIER COVER

### Removal and Installation

#### REMOVAL

1. Remove the drain plug and drain the gear oil. Refer to [RFD-10, "DRAINING"](#).
2. Disconnect the parking brake cable and brake tube from the carrier cover.

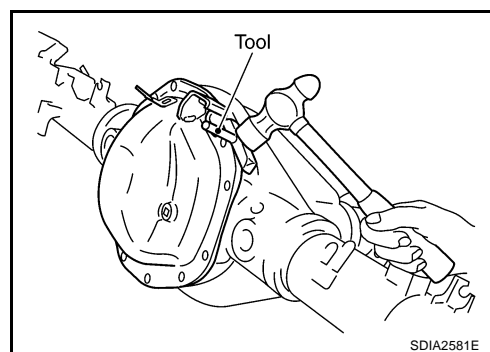


3. Remove the carrier cover bolts. Then separate the carrier cover from the axle housing using Tool.

**Tool number** : KV10111100 (J-37228)

#### CAUTION:

- Be careful not to damage the mating surface.
- Do not insert flat-bladed screwdriver, this will damage the mating surface.



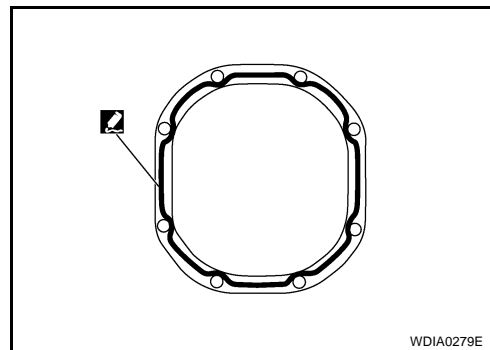
#### INSTALLATION

1. Apply sealant to mating surface of carrier cover.
  - Use Genuine Silicone RTV or equivalent. Refer to [GI-46, "Recommended Chemical Products and Sealants"](#).

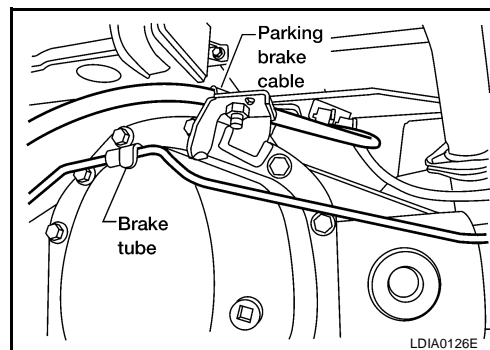
#### CAUTION:

Remove old sealant adhering to mounting surfaces. Also remove any moisture, oil, or foreign material adhering to application and mounting surfaces.

2. Install carrier cover on axle housing and tighten carrier cover bolts to the specified torque. Refer to [RFD-15, "COMPONENTS"](#).



3. Connect the brake tube and parking brake cable to the carrier cover and tighten to the specified torque. Refer to [PB-4, "Components"](#).
4. Fill with new gear oil until oil level reaches the specified limit near filler plug hole. Refer to [RFD-10, "Checking Differential Gear Oil"](#).



## REAR FINAL DRIVE ASSEMBLY

### Removal and Installation

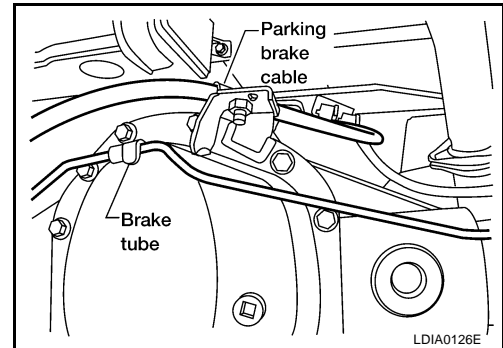
#### REMOVAL

1. Drain the rear final drive gear oil. Refer to [RFD-44, "DRAINING"](#) .
2. Remove the rear propeller shaft. Refer to [PR-10, "Removal and Installation"](#) .
  - Plug rear end of transfer (4WD models only).
3. Remove the axle shafts, back plates and torque members. Refer to [RAX-7, "Removal and Installation"](#) .
4. Remove the stabilizer bar. Refer to [RSU-11, "Removal and Installation"](#) .
5. Disconnect the following components from the rear final drive.
  - ABS sensor wire harness
  - Parking brake cable
  - Brake hoses and tubes

**CAUTION:**

Position the wire harness, cable and hoses away from the final drive assembly. Failure to do so may result in components being damaged during rear axle assembly removal.

6. Support the rear final drive using a suitable jack.
7. Remove rear shock absorber lower bolts. Refer to [RSU-7, "Removal and Installation"](#) .
8. Remove leaf spring U-bolt nuts. Refer to [RSU-8, "Removal and Installation"](#) .



**WARNING:**

Support the rear final drive assembly using suitable jack before removing leaf spring U-bolt nuts.

9. Remove rear final drive assembly using suitable jack.

#### INSTALLATION

Installation is in the reverse order of removal.

- Fill the rear final drive with new gear oil until oil level reaches the specified limit near the filler plug hole. Refer to [RFD-44, "Checking Differential Gear Oil"](#) .
- Refill brake fluid and bleed the air from the brake system. Refer to [BR-10, "Bleeding Brake System"](#) .

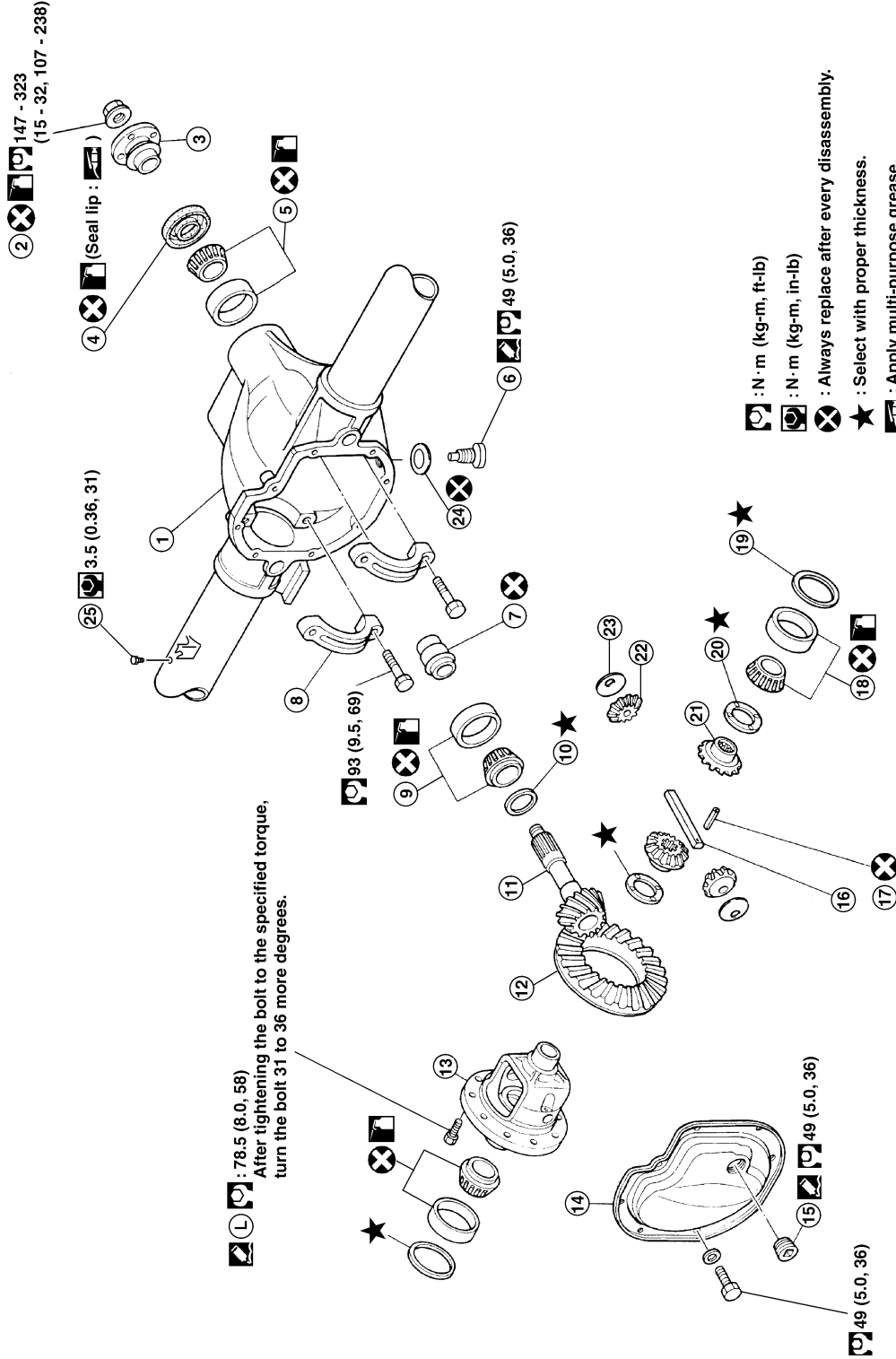
# REAR FINAL DRIVE ASSEMBLY

[C200]

## Disassembly and Assembly COMPONENTS

EDS002Z1

SEC. 380



76.5 (8.0, 58)  
After tightening the bolt to the specified torque, turn the bolt 31 to 36 more degrees.

- : N · m (kg-m, ft-lb)
- : N · m (kg-m, in-lb)
- : Always replace after every disassembly.
- : Select with proper thickness.
- : Apply multi-purpose grease.
- : Apply gear oil.
- : Apply Genuine Silicone RTV or equivalent. Refer to GI section.
- : Apply Genuine High Strength Thread Locking Sealant or equivalent. Refer to GI section.

A  
B  
C  
RFD  
E  
F  
G  
H  
I  
J  
K  
L  
M

# REAR FINAL DRIVE ASSEMBLY

[C200]

- 
- |                                    |                               |                              |
|------------------------------------|-------------------------------|------------------------------|
| 1. Axle housing                    | 2. Drive pinion lock nut      | 3. Companion flange          |
| 4. Front oil seal                  | 5. Drive pinion front bearing | 6. Drain plug                |
| 7. Collapsible spacer              | 8. Side bearing cap           | 9. Drive pinion rear bearing |
| 10. Pinion height adjusting washer | 11. Drive pinion              | 12. Drive gear               |
| 13. Differential case              | 14. Carrier cover             | 15. Filler plug              |
| 16. Pinion mate shaft              | 17. Lock pin                  | 18. Side bearing             |
| 19. Side bearing adjusting washer  | 20. Side gear thrust washer   | 21. Side gear                |
| 22. Pinion mate gear               | 23. Pinion mate thrust washer | 24. Gasket                   |
| 25. Breather                       |                               |                              |



## ASSEMBLY INSPECTION AND ADJUSTMENT

- Before inspection and adjustment, drain gear oil.

### Total Preload Torque

- Rotate drive pinion back and forth 2 to 3 times to check for unusual noise and rotation malfunction.
- Rotate drive pinion at least 20 times to check for smooth operation of the bearing.
- Measure total preload using Tool.

**Tool number** : ST3127S000 (J-25765-A)

**Total preload torque (With oil seal):**

**1.4 - 2.9 N·m (0.15 - 0.29 kg·m, 13 - 25 in·lb)**

**NOTE:**

**Total preload torque = Pinion bearing torque + Side bearing torque**

- If measured value is out of the specification, disassemble it to check and adjust each part. Adjust the pinion bearing preload and side bearing preload.

Adjust the pinion bearing preload first, then adjust the side bearing preload.

**When the preload torque is greater than specification**

**On pinion bearings:** Replace the collapsible spacer.

**On side bearings:** Use thinner side bearing adjusting washers by the same amount to each side. Refer to [RFD-36, "Side Bearing Adjusting Washer"](#) .

**When the preload torque is less than specification**

**On pinion bearings:** Tighten the drive pinion nut.

**On side bearings:** Use thicker side bearing adjusting washers by the same amount to each side. Refer to [RFD-36, "Side Bearing Adjusting Washer"](#) .

### Drive Gear Runout

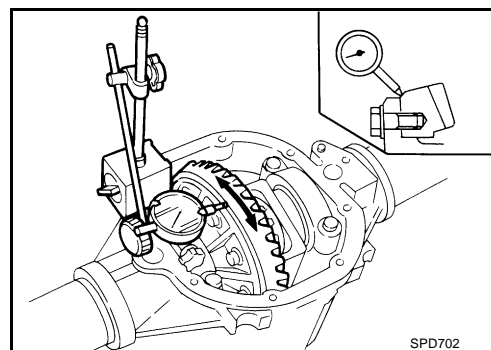
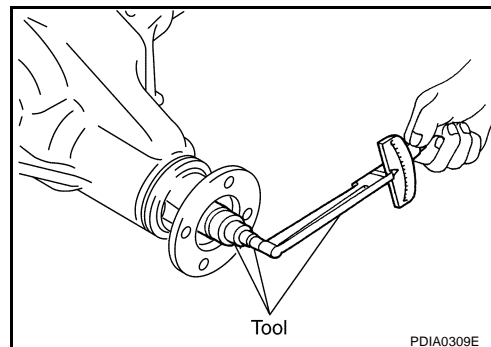
- Remove carrier cover. Refer to [RFD-21, "Differential Assembly"](#) .
- Fit a dial indicator to the drive gear back face.
- Rotate the drive gear to measure runout.

**Runout limit:** 0.08 mm (0.0031 in) or less

- If the runout is outside of the repair limit, check drive gear assembly condition; foreign material may be caught between drive gear and differential case, or differential case or drive gear may be deformed.

**CAUTION:**

**Replace drive gear and drive pinion gear as a set.**



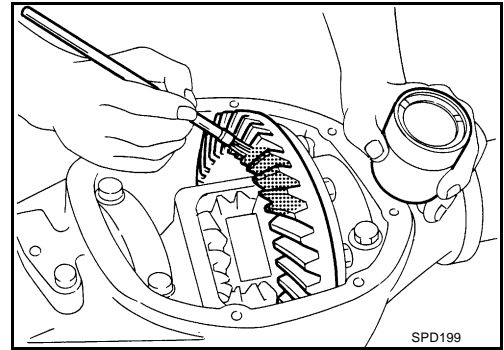
A  
B  
C  
RFD  
E  
F  
G  
H  
I  
J  
K  
L  
M

## Tooth Contact

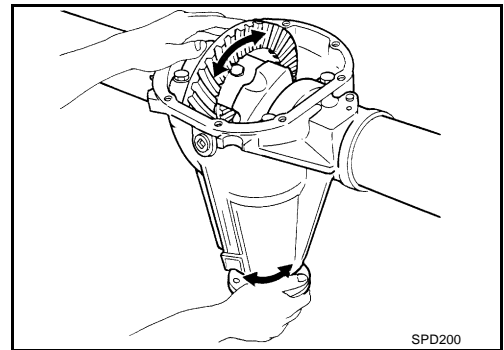
1. Remove carrier cover. Refer to [RFD-21, "Differential Assembly"](#).
2. Apply red lead to drive gear.

**CAUTION:**

Apply red lead to both the faces of 3 to 4 gears at 4 locations evenly spaced on drive gear.



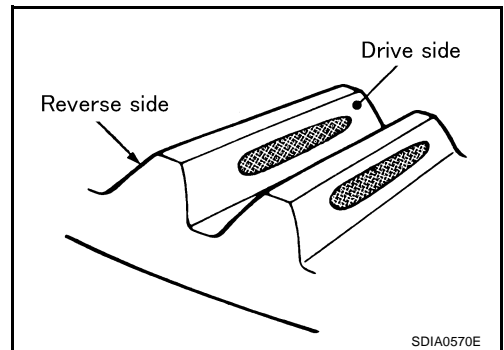
3. Hold companion flange steady and rotate the drive gear in both directions.



4. Check drive pinion gear to drive gear tooth contact.

**CAUTION:**

Check tooth contact on drive side and reverse side.



# REAR FINAL DRIVE ASSEMBLY

[C200]

Tooth contact condition		Pinion height adjusting washer selection valve [ mm (in) ]	Adjustment (Yes/No)	Possible cause
Drive side	Back side			
Heel side Toe side	Toe side Heel side	↑ Thicker	Yes	Occurrence of noise and scoring sound in all speed ranges.
		↓ Thinner	No	-
		↓ Thinner	Yes	Occurrence of noise at constant speed and decreasing speed.
				Occurrence of noise and scoring sound in all speed ranges.

A

B

C

RFD

E

F

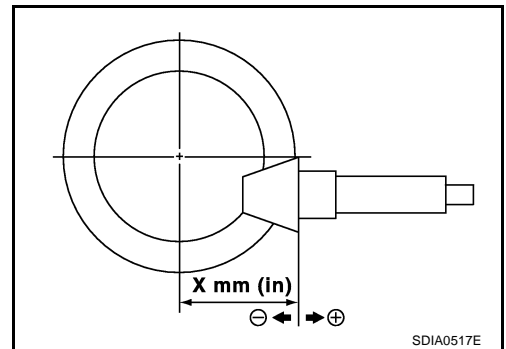
G

H

I

SDIA0207E

5. If tooth contact is improperly adjusted, follow the procedure below to adjust the pinion height (dimension X).



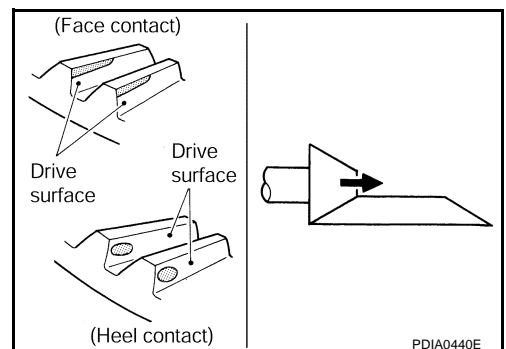
J

K

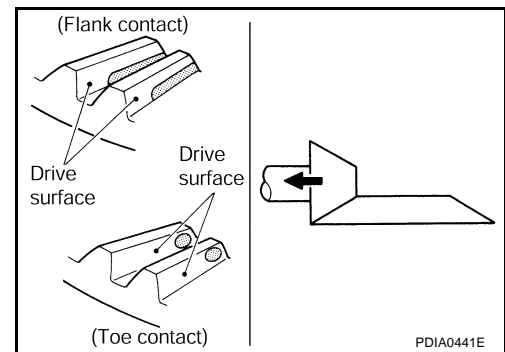
L

M

- If the tooth contact is near the face (face contact), or near the heel (heel contact), thicken pinion height adjusting washers to move drive pinion closer to drive gear. Refer to [RFD-36, "Pinion Height Adjusting Washer"](#).



- If the tooth contact is near the flank (flank contact), or near the toe (toe contact), thin pinion height adjusting washers to move drive pinion farther from drive gear.  
Refer to [RFD-36, "Pinion Height Adjusting Washer"](#) .



## Backlash

- Remove carrier cover. Refer to [RFD-21, "Differential Assembly"](#) .
- Fit a dial indicator to the drive gear face to measure the backlash.

**Backlash:**            **0.10 - 0.15 mm (0.0039 - 0.0059 in)**

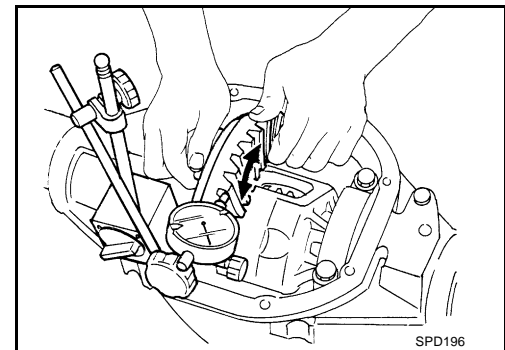
- If the backlash is outside of the specified value, change the thickness of side bearing adjusting washer.

**When the backlash is large:**

**Make drive gear back side adjusting washer thicker, and drive gear tooth side adjusting washer thinner by the same amount. Refer to [RFD-36, "Side Bearing Adjusting Washer"](#) .**

**When the backlash is small:**

**Make drive gear back side adjusting washer thinner, and drive gear tooth side adjusting washer thicker by the same amount. Refer to [RFD-36, "Side Bearing Adjusting Washer"](#) .**



## CAUTION:

**Do not change the total amount of washers as it will change the bearing preload.**

## Companion Flange Runout

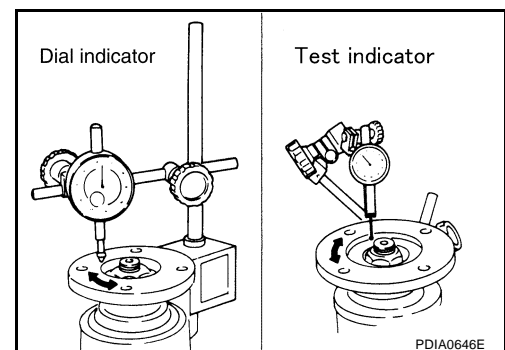
- Fit a dial indicator onto the companion flange face (inner side of the propeller shaft bolt holes).
- Rotate companion flange to check for runout.

**Runout limit:**    **0.08 mm (0.0031 in) or less**

- Fit a test indicator to the inner side of companion flange (socket diameter).
- Rotate companion flange to check for runout.

**Runout limit:**    **0.08 mm (0.0031 in) or less**

- If the runout value is outside the runout limit, follow the procedure below to adjust.
  - Check for runout while changing the phase between companion flange and drive pinion by 90° step, and search for the position where the runout is the minimum.
  - If the runout value is still outside of the limit after the phase has been changed, replace companion flange.
  - If the runout value is still outside of the limit after companion flange has been replaced, possible cause will be an assembly malfunction of drive pinion and pinion bearing, malfunctioning pinion bearing.



## DISASSEMBLY

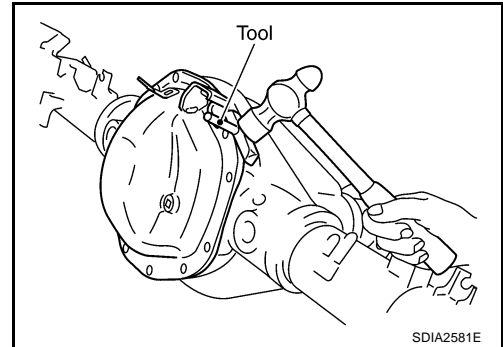
### Differential Assembly

1. Drain gear oil, if necessary.
2. Remove carrier cover bolts.
3. Separate the carrier cover from the axle housing using Tool.

**Tool number** : KV10111100 (J-37228)

**CAUTION:**

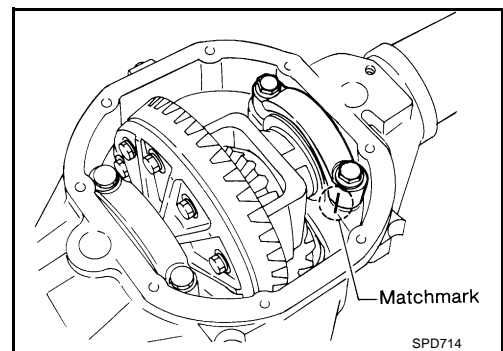
- Be careful not to damage the mating surface.
- Do not insert flat-bladed screwdriver, this will damage the mating surface.



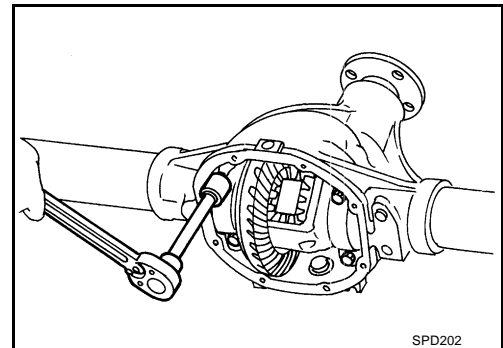
4. For proper reinstallation, paint matching marks on one side of the side bearing cap.

**CAUTION:**

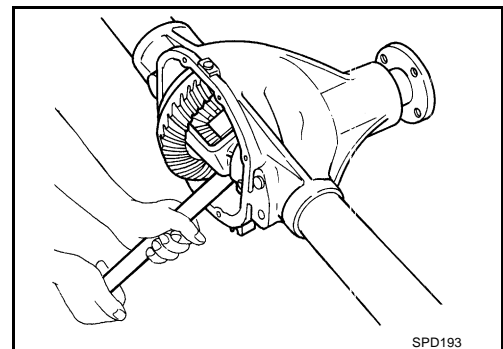
- For matching mark, use paint. Do not damage side bearing caps and axle housing.
- Side bearing caps are line-board during manufacture. The matching marks are used to reinstall them in their original positions.



5. Remove side bearing caps.



6. Remove differential case assembly with using suitable tool.

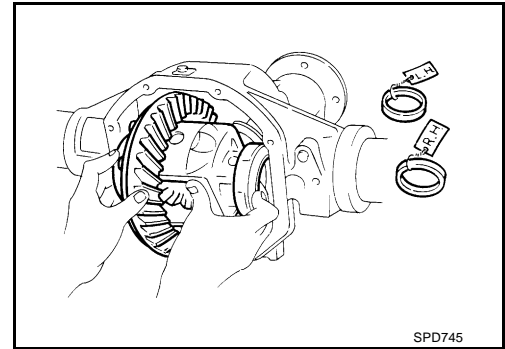


A  
B  
C  
RFD  
E  
F  
G  
H  
I  
J  
K  
L  
M

# REAR FINAL DRIVE ASSEMBLY

[C200]

- Keep side bearing outer races together with inner race. Do not mix them up. Also, keep side bearing adjusting washers together with bearings.

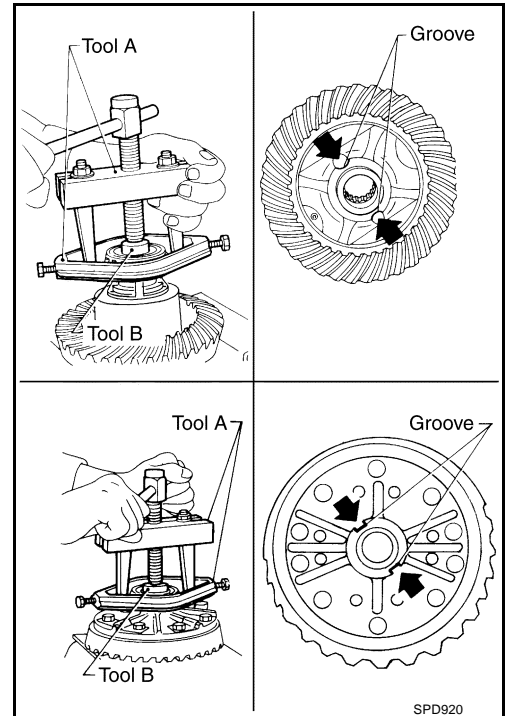


7. Remove side bearing inner race using Tools.

**Tool number**    **A: ST33051001 (J-22888-20)**  
                          **B: ST33061000 (J-8107-2)**

**CAUTION:**

- Engage puller jaws in groove to prevent damage.
- To prevent damage to the side bearing and drive gear, place copper plates between these parts and vise.
- It is not necessary to remove side bearing inner race except if it is replaced.



8. For proper reinstallation, paint matching mark on one differential case assembly.

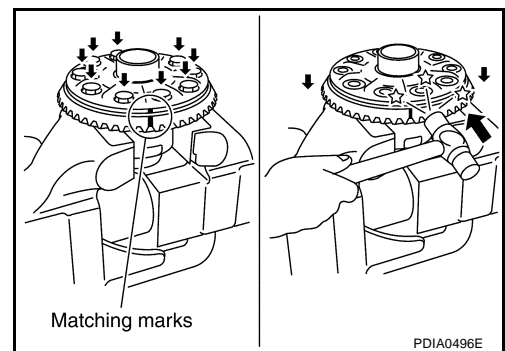
**CAUTION:**

**For matching mark, use paint. Do not damage differential case and drive gear.**

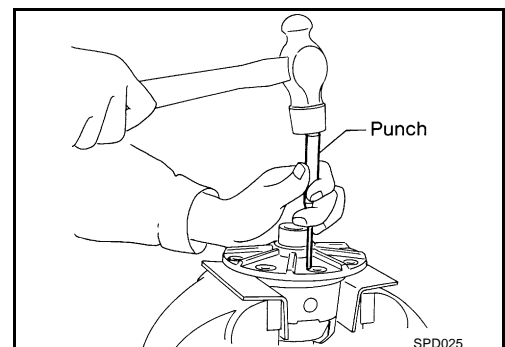
9. Remove drive gear bolts.  
10. Tap drive gear off differential case assembly.

**CAUTION:**

**Tap evenly all around to keep drive gear from bending.**



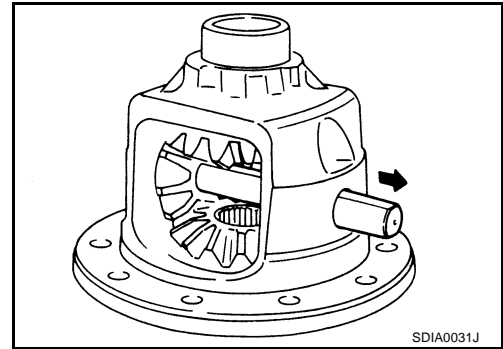
11. Remove lock pin of pinion mate shaft with punch from drive gear side.



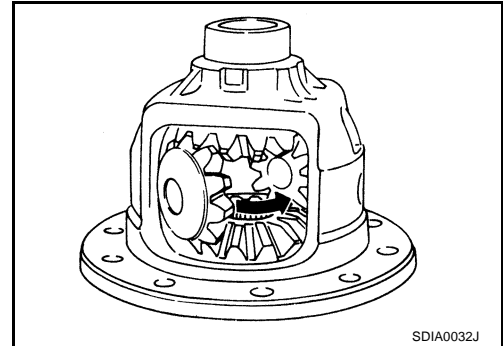
# REAR FINAL DRIVE ASSEMBLY

[C200]

12. Remove pinion mate shaft.



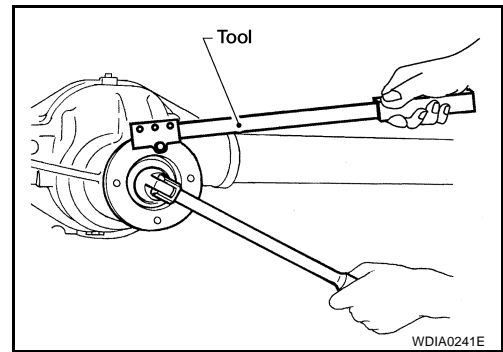
13. Turn pinion mate gear, then remove pinion mate gear, pinion mate thrust washer, side gear and side gear thrust washer from differential case.



## Drive Pinion Assembly

1. Remove differential assembly. Refer to [RFD-21, "Differential Assembly"](#).
2. Remove drive pinion lock nut using Tool.

**Tool number** : KV38108300 ( — )



3. Put matching mark on the end of drive pinion. The matching mark should be in line with the matching mark A on companion flange.

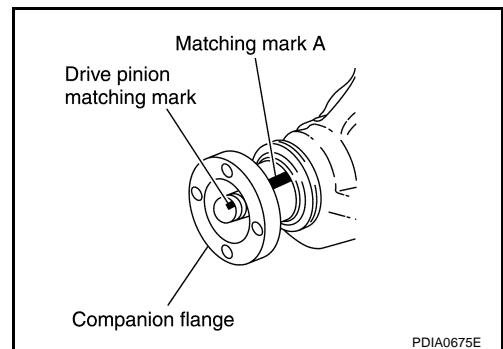
### **CAUTION:**

**For matching mark, use paint. Do not damage companion flange and drive pinion.**

### **NOTE:**

The matching mark A on the final drive companion flange indicates the maximum vertical runout position.

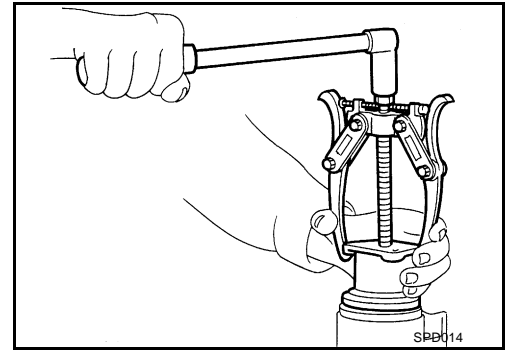
When replacing companion flange, matching mark is not necessary.



# REAR FINAL DRIVE ASSEMBLY

[C200]

4. Remove companion flange using suitable Tool.

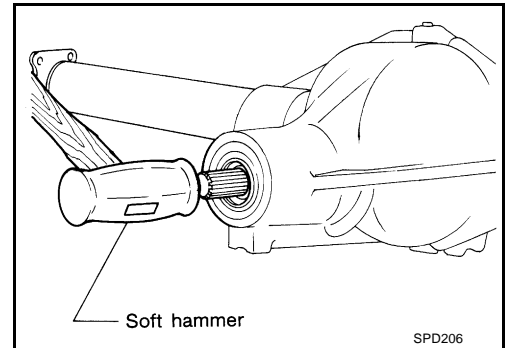


5. Remove drive pinion assembly from axle housing using suitable tool.

**CAUTION:**

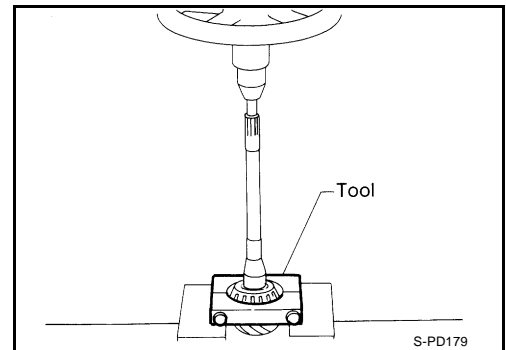
**Do not drop drive pinion assembly.**

- 6. Remove front oil seal.
- 7. Remove drive pinion front bearing inner race.
- 8. Remove collapsible spacer.



9. Remove drive pinion rear bearing inner race and drive pinion height adjusting washer using Tool.

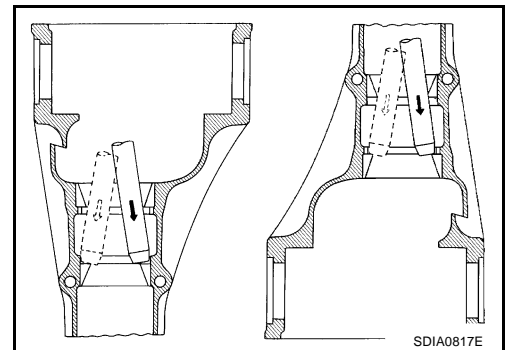
**Tool number : ST30031000 (J-22912-01)**



10. Tap drive pinion front/rear bearing outer races uniformly a brass rod or equivalent.

**CAUTION:**

**Be careful not to damage axle housing.**



## INSPECTION AFTER DISASSEMBLY

Clean up the disassembled parts. Then, inspect if the parts are worn or damaged. If so, follow the measures below.

Content	Conditions and Measures
Hypoid gear	<ul style="list-style-type: none"> <li>● If the gear teeth do not mesh or line-up correctly, determine the cause and adjust or replace as necessary.</li> <li>● If the gears are worn, cracked, damaged, pitted or chipped (by friction) noticeably, replace with new drive gear and drive pinion as a set.</li> </ul>
Bearing	<ul style="list-style-type: none"> <li>● If any chipped (by friction), pitted, worn, rusted or scratched mark, or unusual noise from the bearing is observed, replace as a bearing assembly (as a new set).</li> </ul>



# REAR FINAL DRIVE ASSEMBLY

[C200]

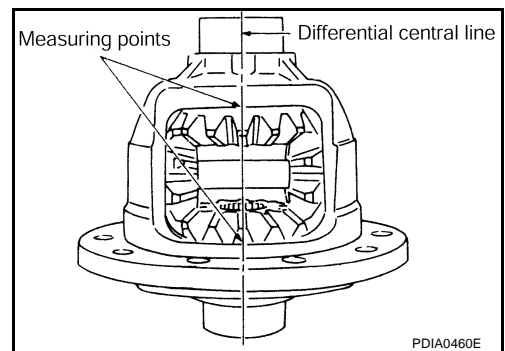
Content	Conditions and Measures
Side gear and Pinion mate gear	<ul style="list-style-type: none"> <li>● If any cracks or damage on the surface of the tooth is found, replace.</li> <li>● If any worn or chipped mark on the contact sides of the thrust washer is found, replace.</li> </ul>
Side gear thrust washer and pinion mate thrust washer	<ul style="list-style-type: none"> <li>● If it is chipped (by friction), damaged, or unusually worn, replace.</li> </ul>
Oil seal	<ul style="list-style-type: none"> <li>● Whenever disassembled, replace.</li> <li>● If wear, deterioration of adherence (sealing force lips), or damage is detected on the lips, replace them.</li> </ul>
Differential case	<ul style="list-style-type: none"> <li>● If any wear or crack on the contact sides of the differential case is found, replace.</li> </ul>
Companion flange	<ul style="list-style-type: none"> <li>● If any chipped mark (about 0.1 mm, 0.004 in) or other damage on the contact sides of the lips of the companion flange is found, replace.</li> </ul>

A  
B  
C  
RFD

## ADJUSTMENT AND SELECTION ADJUSTING WASHERS

### Differential Side Gear Clearance

- Assemble the differential parts if they are disassembled. Refer to [RFD-32, "Differential Assembly"](#).
1. Place differential case straight up so that side gear to be measured comes upward.



2. Using feeler gauge, measure the clearance between side gear back and differential case at 3 different points, while rotating side gear. Average the 3 readings, and then measure the clearance. (Measure the clearance of the other side as well.)

#### Side gear back clearance specification:

**0.1 - 0.2 mm (0.004 - 0.008 in) or less.**

**(Each gear should rotate smoothly without excessive resistance during differential motion.)**

#### CAUTION:

**To prevent side gear from tilting, insert feeler gauges with the same thickness from both sides.**

3. If the back clearance is outside the specification, use a thicker/thinner side gear thrust washer to adjust. Refer to [RFD-36, "Side Gear Thrust Washer"](#).

**When the back clearance is large:**

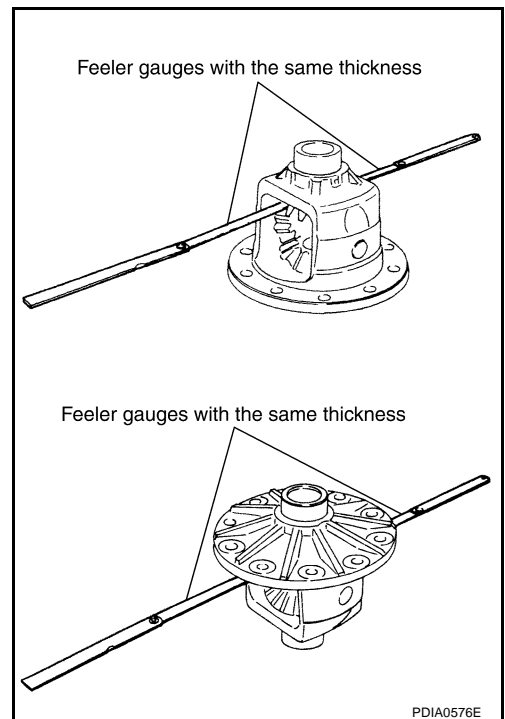
**Use a thicker thrust washer.**

**When the back clearance is small:**

**Use a thinner thrust washer.**

#### CAUTION:

**Select a side gear thrust washer for right and left individually.**



E  
F  
G  
H  
I  
J  
K  
L  
M

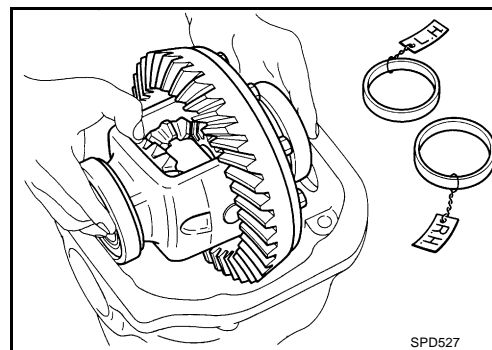
### Side Bearing Preload

- A selection of carrier side bearing adjusting washers is required for successful completion of this procedure.

# REAR FINAL DRIVE ASSEMBLY

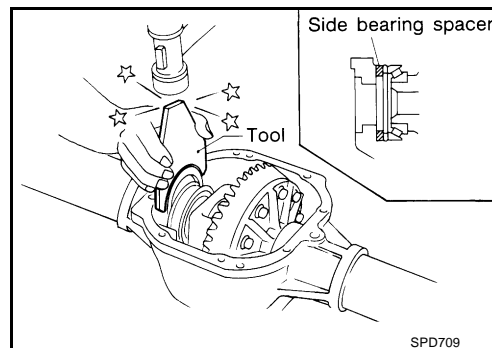
[C200]

1. Make sure all parts are clean. Also, make sure the bearings are well lubricated with gear oil.
2. Place the differential case, with side bearings and bearing races installed, into axle housing.

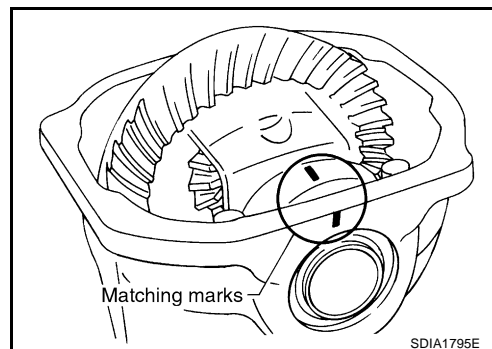


3. Insert left and right original side bearing adjusting washers in place between side bearings and axle housing using Tool.

**Tool number : KV38100600 (J-25267)**



4. Install side bearing caps in their correct locations and tighten side bearing cap bolts to the specified torque. Refer to [RFD-15, "COMPONENTS"](#).
5. Turn the carrier several times to seat the bearings.

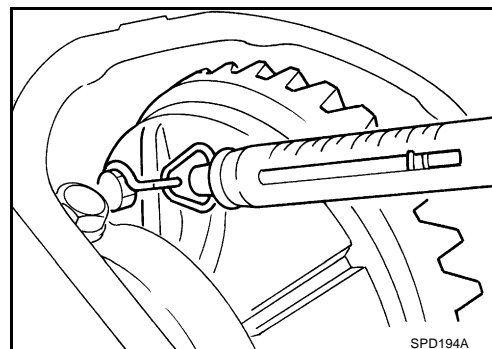


6. Measure the turning torque of the carrier at the drive gear bolts using Tool.

**Tool number : — (J-8129)**

**Specification:**

**34.3 - 39.2 N (3.5 - 4.0 kg, 7.7 - 8.8 lb) of pulling force at the drive gear bolt**



7. If the turning torque is outside the specification, use a thicker/thinner side bearing adjusting washer to adjust. Refer to [RFD-36, "Side Bearing Adjusting Washer"](#).

**If the turning torque is less than the specification:**

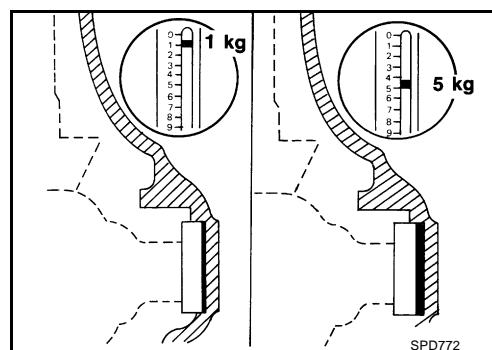
**Use a thicker thrust washer.**

**If the turning torque is greater than the specification:**

**Use a thinner thrust washer.**

**CAUTION:**

**Select a side bearing adjusting washer for right and left individually.**



# REAR FINAL DRIVE ASSEMBLY

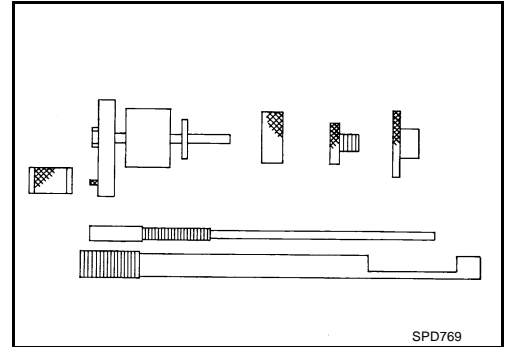
[C200]

- Record the total amount of washer thickness required for the correct carrier side bearing preload.

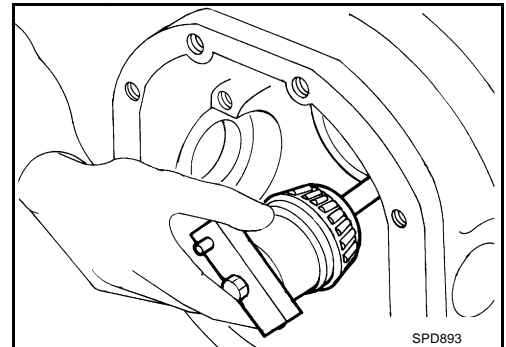
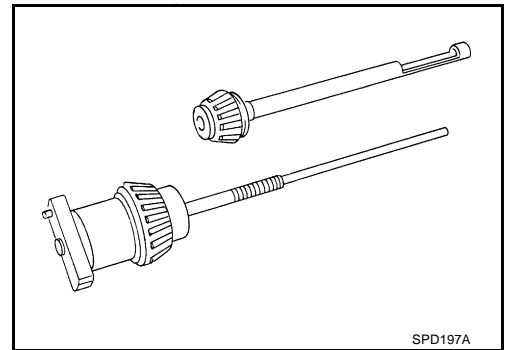
## Pinion Gear Height

- Make sure all parts are clean and that the bearings are well lubricated.
- Assemble the pinion gear bearings into the Tool.

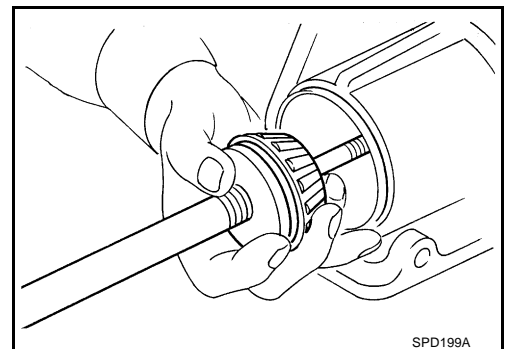
**Tool number** : — **(J-34309)**



- Drive pinion front bearing;** make sure the J-34309-3 pinion front bearing seat is secured tightly against the J-34309-2 gauge anvil. Then turn the pinion front bearing pilot, J-34309-5, to secure the bearing in its proper position.
  - Drive pinion rear bearing;** the pinion rear bearing pilot, J-34309-8, is used to center the drive pinion rear bearing only. The pinion rear bearing locking seat, J-34309-4, is used to lock the bearing to the assembly.
  - Installation of J-34309-9 and J-34309-16;** place a suitable 2.5 mm (0.098 in) thick plain washer between J-34309-9 and J-34309-16. Both surfaces of J-34309-9 and J-34309-16 must be parallel with a clearance of 2.5 mm (0.098 in).
- Install the drive pinion rear bearing inner race into axle housing. Then place the pinion preload shim selector tool, J-34309-1, gauge screw assembly.



- Assemble the drive pinion front bearing inner race and the J-34309-2 gauge anvil. Assemble them together with the J-34309-1 gauge screw in axle housing. Make sure that the pinion height gauge plate, J-34309-16, will turn a full 360°. Tighten the two sections together by hand.

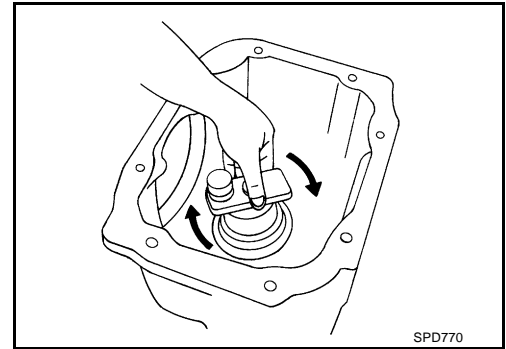


A  
B  
C  
RFD  
E  
F  
G  
H  
I  
J  
K  
L  
M

# REAR FINAL DRIVE ASSEMBLY

[C200]

5. Turn the assembly several times to seat the bearings.

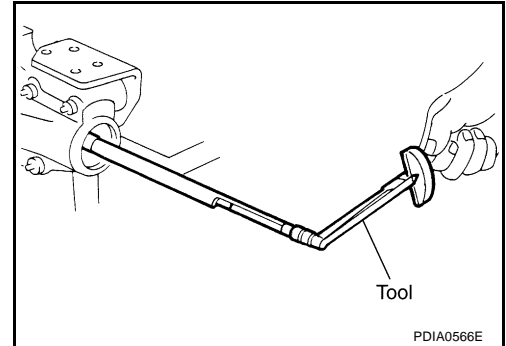


6. Measure the turning torque at the end of the J-34309-2 gauge anvil using Tool.

**Tool number : ST3127S000 (J-25765- A)**

**Turning torque specification:**

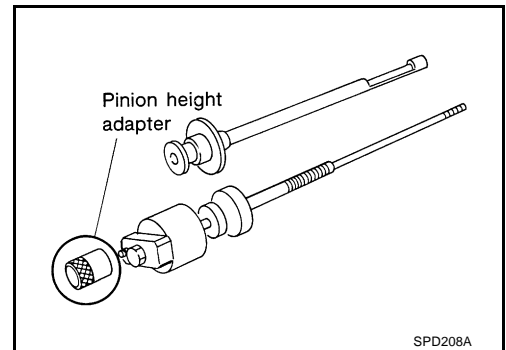
**1.0 - 1.3 N-m (0.11 - 0.13 kg-m, 9 - 11 in-lb)**



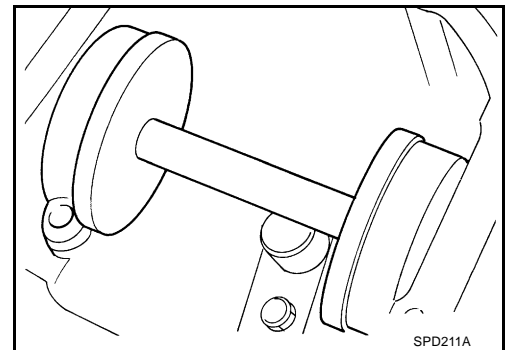
7. Place the J-34309-11 pinion height adapter onto the gauge plate and tighten it by hand.

**CAUTION:**

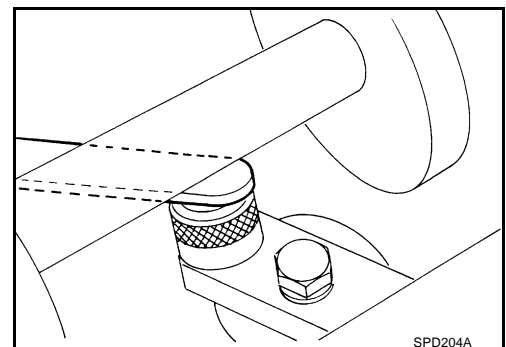
**Make sure all machined surfaces are clean.**



8. Position the side bearing discs, J-25269-4, and arbor firmly into the side bearing bores. Install the bearing caps and tighten bearing cap bolts to the specified torque. Refer to [RFD-15, "COMPONENTS"](#).



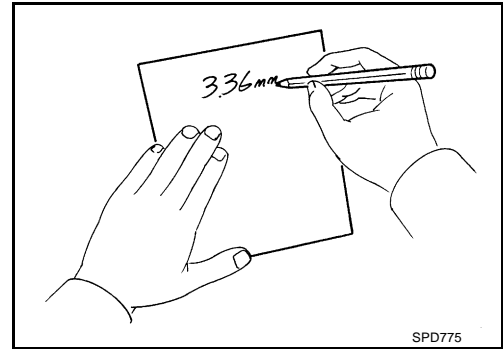
9. Select the correct standard pinion height adjusting washer thickness. Select by using a standard gauge of 3 mm (0.12 in) and your J-34309-101 feeler gauge. Measure the distance between the J-34309-11 pinion height adapter including the standard gauge and the arbor.



# REAR FINAL DRIVE ASSEMBLY

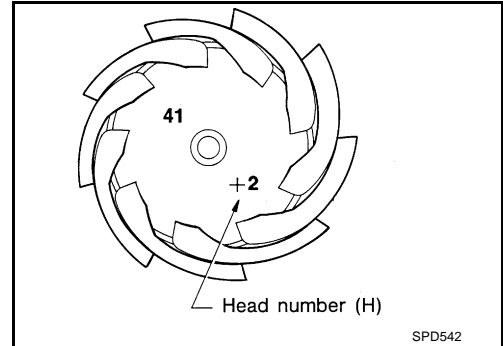
[C200]

10. Write down exact measurement (the value of feeler gauge).



11. Correct the pinion height washer size by referring to the “pinion head number”.

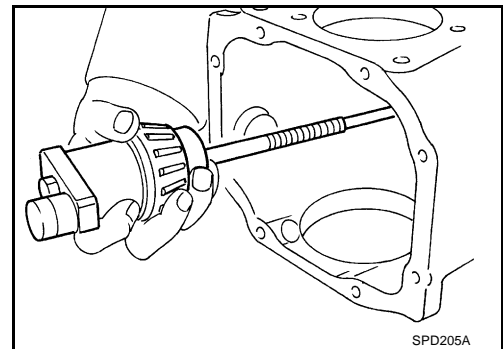
**There are two numbers painted on the drive pinion. The first one refers to the drive pinion and drive gear as a matched set. This number should be the same as the number on the drive gear. The second number is the “pinion head height number”. It refers to the ideal pinion height from standard for quietest operation. Use the following chart to determine the correct pinion height washer.**



Pinion head height number	Add or remove from the standard pinion height adjusting washer thickness measurement
- 6	Add 0.06 mm (0.0024 in)
- 5	Add 0.05 mm (0.0020 in)
- 4	Add 0.04 mm (0.0016 in)
- 3	Add 0.03 mm (0.0012 in)
- 2	Add 0.02 mm (0.0008 in)
- 1	Add 0.01 mm (0.0004 in)
0	Use the selected washer thickness
+1	Subtract 0.01 mm (0.0004 in)
+2	Subtract 0.02 mm (0.0008 in)
+3	Subtract 0.03 mm (0.0012 in)
+4	Subtract 0.04 mm (0.0016 in)
+5	Subtract 0.05 mm (0.0020 in)
+6	Subtract 0.06 mm (0.0024 in)

12. Select the correct pinion height adjusting washer. Refer to [RFD-36, "Pinion Height Adjusting Washer"](#) .

13. Remove the J-34309 differential shim selector tool from the final drive housing. Then disassemble to retrieve the pinion bearings.



A  
B  
C  
RFD  
E  
F  
G  
H  
I  
J  
K  
L  
M

## ASSEMBLY

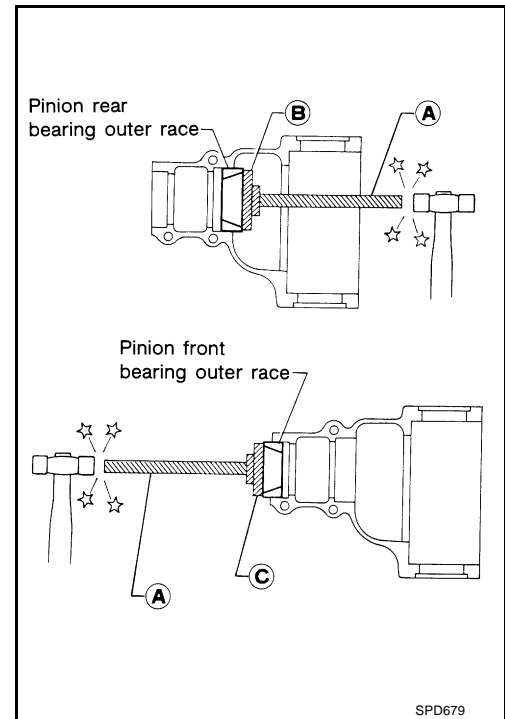
### Drive Pinion Assembly

1. Install new front and rear bearing outer races using Tools.

**Tool number**     **A: ST30611000 (J-25742-1)**  
                           **B: ST30621000 (J-25742-5)**  
                           **C: ST30613000 (J-25742-3)**

**CAUTION:**

- At first, using a hammer, tap bearing outer race until it becomes flat to axle housing.
  - Do not reuse drive pinion front and rear bearing outer race.
2. Select drive pinion height adjusting washer. Refer to [RFD-27. "Pinion Gear Height"](#).

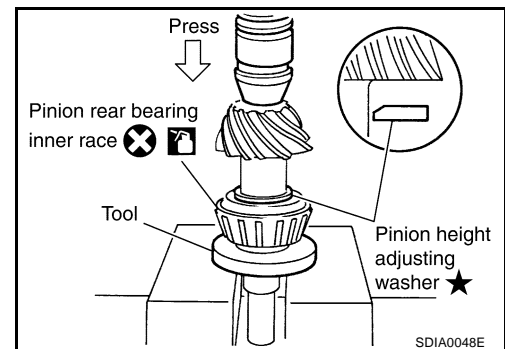


3. Install selected drive pinion height adjusting washer to drive pinion. Press new drive pinion rear bearing inner race to it using Tool.

**Tool number**     **: ST30901000 (J-26010-01)**

**CAUTION:**

- Pay attention to the direction of pinion height adjusting washer. (Assemble as shown in the figure.)
  - Do not reuse drive pinion rear bearing inner race.
4. Assemble new collapsible spacer to drive pinion.



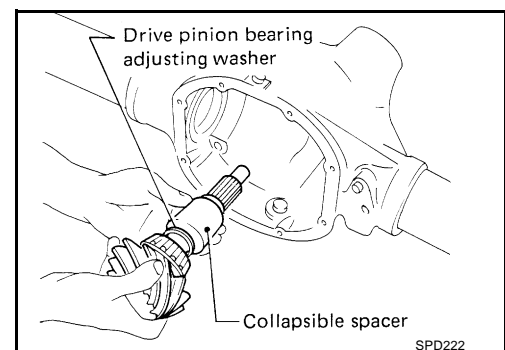
**CAUTION:**

**Do not reuse collapsible spacer.**

5. Apply gear oil to drive pinion rear bearing, and assemble drive pinion into axle housing.
6. Apply gear oil to drive pinion front bearing, and assemble new drive pinion front bearing inner race to drive pinion assembly.

**CAUTION:**

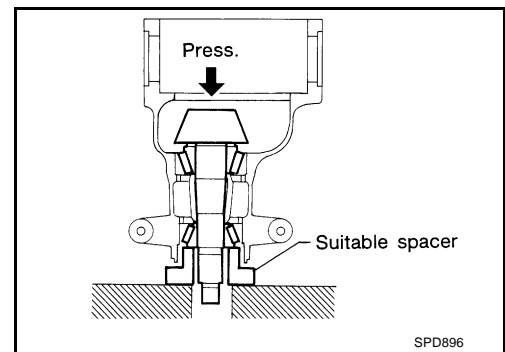
**Do not reuse drive pinion front bearing inner race.**



# REAR FINAL DRIVE ASSEMBLY

[C200]

7. Press the pinion front bearing inner race onto drive pinion using suitable tool. Press the pinion front bearing inner race as far as the pinion nut can be tightened.

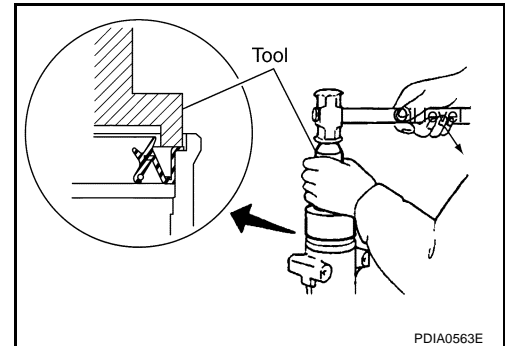


8. Install new front oil seal as shown using Tool.

**Tool number** : KV38100500 (J-25273)

**CAUTION:**

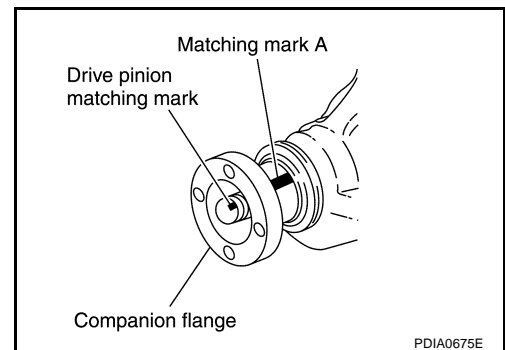
- Do not reuse oil seal.
- When installing, do not incline oil seal.
- Apply multi-purpose grease onto oil seal lips, and gear oil onto the circumference of oil seal.



9. Install companion flange.

**NOTE:**

When reusing drive pinion, align the matching mark of drive pinion with the matching mark A of companion flange, then install companion flange.



10. Apply gear oil to the thread and seat of drive pinion lock nut, and temporarily tighten new drive pinion lock nut to drive pinion.

**CAUTION:**

**Do not reuse drive pinion lock nut.**

11. Adjust the new drive pinion lock nut tightening torque and pinion bearing preload torque using Tools.

**Tool number** A: KV38108300 ( — )

B: ST3127S000 (J-25765-A)

**Drive pinion lock nut tightening torque:**

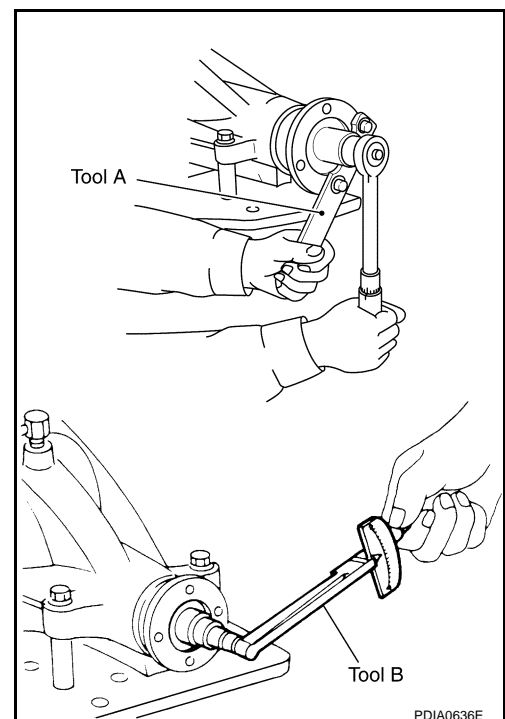
147 - 323 N·m (15 - 32 kg·m, 109 - 238 ft·lb)

**Drive pinion bearing preload:**

1.1 - 1.4 N·m (0.12 - 0.14 kg·m, 10 - 12 in·lb)

**CAUTION:**

- Adjust the lower limit of the drive pinion lock nut tightening torque first.
- If the preload torque exceeds the specified value, replace collapsible spacer and tighten it again to adjust. Do not loosen drive pinion lock nut to adjust the preload torque.



A  
B  
C  
RFD  
E  
F  
G  
H  
I  
J  
K  
L  
M



- After adjustment, rotate drive pinion back and forth 2 to 3 times to check for unusual noise, rotation malfunction, and other malfunctions.

12. Install differential case assembly. Refer to [RFD-32, "Differential Assembly"](#) .

**CAUTION:**

**Do not install carrier cover yet.**

13. Check and adjust drive gear runout, tooth contact, drive gear to drive pinion backlash, and companion flange runout. Refer to [RFD-17, "Drive Gear Runout"](#) , [RFD-18, "Tooth Contact"](#) , [RFD-20, "Backlash"](#) , [RFD-20, "Companion Flange Runout"](#) .

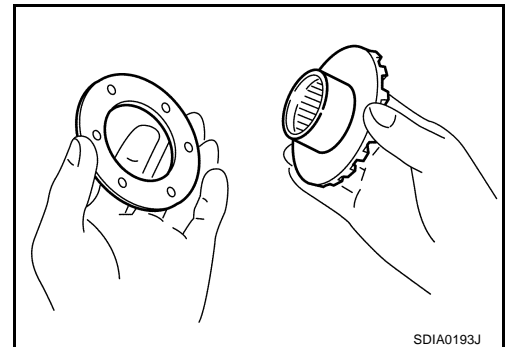
Recheck above items. Readjust the above description, if necessary.

14. Check total preload torque. Refer to [RFD-17, "Total Preload Torque"](#) .

15. Install carrier cover. Refer to [RFD-32, "Differential Assembly"](#) .

## Differential Assembly

1. Install side gear thrust washers with the same thickness as the ones installed prior to disassembly or reinstall the old ones on the side gears.

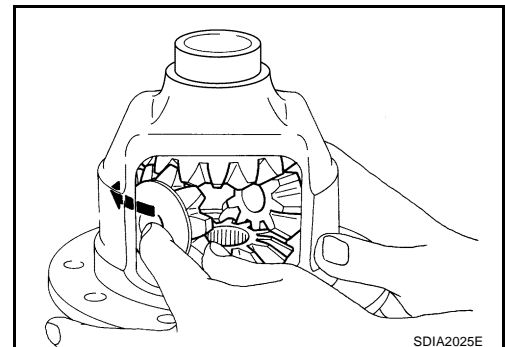


2. Install side gears and thrust washers into differential case.

**CAUTION:**

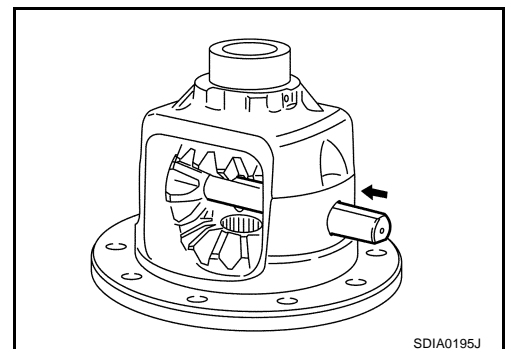
**Make sure that the circular clip is installed to side gears.**

3. Align 2 pinion mate gears in diagonally opposite positions, then rotate and install them into differential case after installing thrust washer to pinion mate gear.



4. Align the lock pin holes on differential case with shaft, and install pinion mate shaft.

5. Measure side gear end play. If necessary, select the appropriate side gear thrust washers. Refer to [RFD-25, "Differential Side Gear Clearance"](#) .





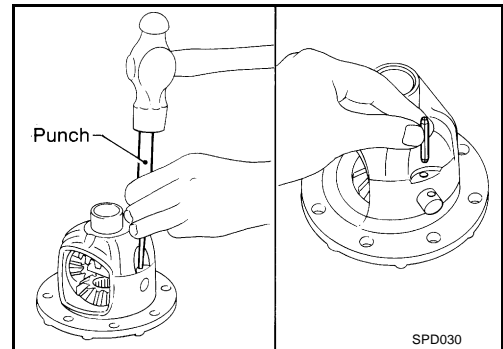
# REAR FINAL DRIVE ASSEMBLY

[C200]

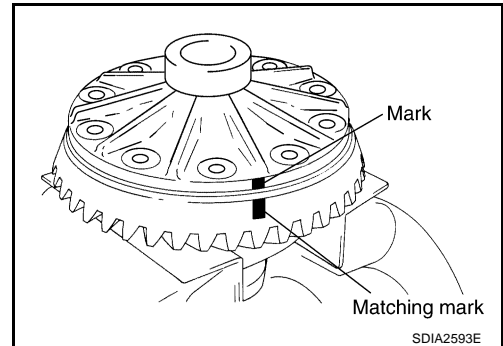
6. Drive a lock pin into pinion mate shaft, using suitable tool. Make sure lock pin is flush with differential case.

**CAUTION:**

**Do not reuse lock pin.**



7. Align the matching mark of differential case with the mark of drive gear, then place drive gear.

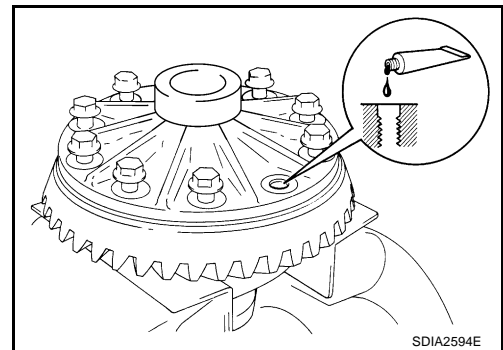


8. Apply thread locking sealant into the thread hole of drive gear.

- Use **Genuine High Strength Thread Locking Sealant or equivalent**. Refer to [GI-46, "Recommended Chemical Products and Sealants"](#).

**CAUTION:**

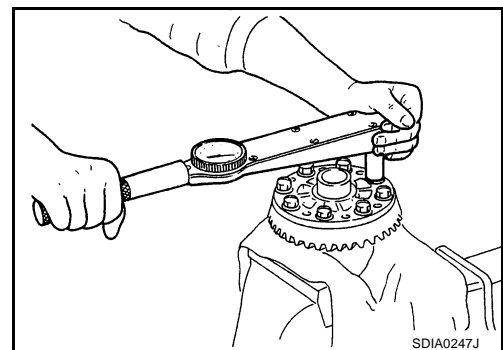
**Drive gear back and threaded holes shall be cleaned and degreased sufficiently.**



9. Install the drive gear bolts, and then tighten to the specified torque. Refer to [RFD-15, "COMPONENTS"](#).

**CAUTION:**

- **Tighten bolts in a crisscross fashion.**
- **After tightening the bolt to the specified torque, turn the bolt 31 to 36 more degrees.**

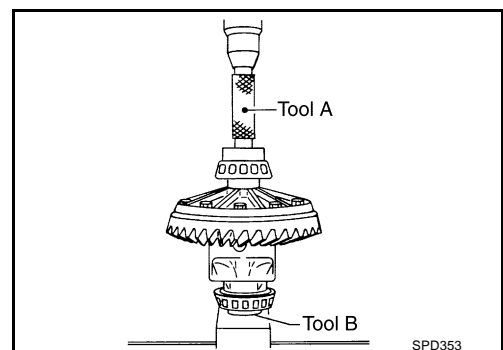


10. Press new side bearing inner races to differential case using Tools.

- Tool number**      **A: ST33230000 (J-25805-01)**  
                             **B: ST33061000 (J-8107-2)**

**CAUTION:**

**Do not reuse side bearing inner race.**

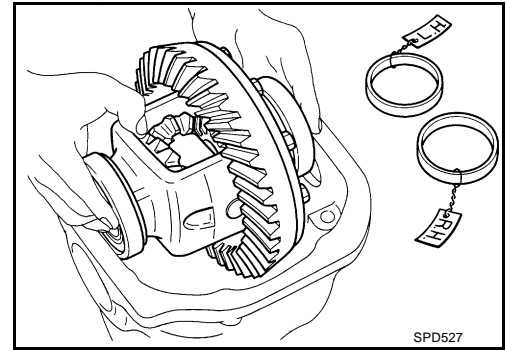


A  
B  
C  
RFD  
E  
F  
G  
H  
I  
J  
K  
L  
M

# REAR FINAL DRIVE ASSEMBLY

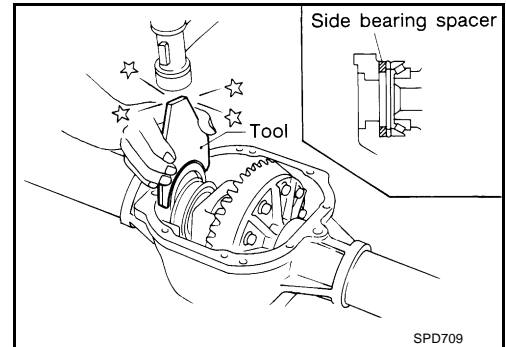
[C200]

11. Install differential case assembly with side bearing outer races into axle housing.
12. Measure side bearing preload. If necessary, select the appropriate side bearing adjusting washers. Refer to [RFD-25, "Side Bearing Preload"](#).

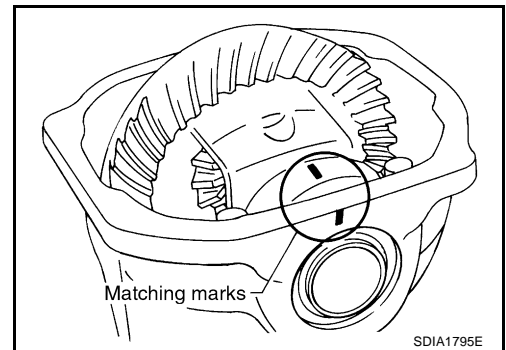


13. Insert selected left and right side bearing adjusting washers in place between side bearings and axle housing using Tool.

**Tool number : KV38100600 (J-25267)**



14. Align matching mark on side bearing cap with that on axle housing.
15. Install side bearing caps and tighten side bearing cap bolts to the specified torque. Refer to [RFD-15, "COMPONENTS"](#).
16. Check and adjust drive gear runout, tooth contact, drive gear to drive pinion backlash, and total preload torque. Refer to [RFD-17, "Drive Gear Runout"](#), [RFD-18, "Tooth Contact"](#), [RFD-20, "Backlash"](#), [RFD-17, "Total Preload Torque"](#).  
Recheck above items. Readjust the above description, if necessary.

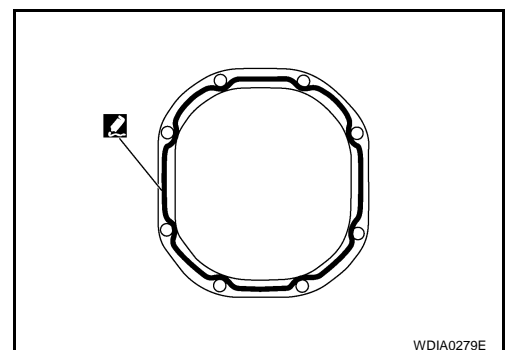


17. Apply sealant to mating surface of carrier cover.
  - Use Genuine Silicone RTV or equivalent. Refer to [GI-46, "Recommended Chemical Products and Sealants"](#).

**CAUTION:**

Remove old sealant adhering to mating surfaces. Also remove any moisture, oil, or foreign material adhering to application and mating surfaces.

18. Install carrier cover on axle housing and tighten bolts with the specified torque. Refer to [RFD-15, "COMPONENTS"](#).



# SERVICE DATA AND SPECIFICATIONS (SDS)

[C200]

## SERVICE DATA AND SPECIFICATIONS (SDS)

PFP:00030

### General Specifications 2WD MODELS

EDS002ZJ

Applied model	VQ40DE	
	5A/T	
Final drive model	C200	
Gear ratio	2.937	3.133
Number of teeth (Drive gear/Drive pinion)	47/16	47/15
Oil capacity (Approx.) $\ell$ (US pt, Imp pt)	1.6 (3-3/8, 2-7/8)	
Number of pinion gears	2	
Drive pinion adjustment spacer type	Collapsible	

### 4WD MODELS

Applied model	VQ40DE	
	5A/T	
Final drive model	C200	
Gear ratio	3.133	3.357
Number of teeth (Drive gear/Drive pinion)	47/15	47/14
Oil capacity (Approx.) $\ell$ (US pt, Imp pt)	1.6 (3-3/8, 2-7/8)	
Number of pinion gears	2	
Drive pinion adjustment spacer type	Collapsible	

### Inspection and Adjustment DRIVE GEAR RUNOUT

EDS002ZK

Unit: mm (in)

Item	Runout limit
Drive gear back face	0.08 (0.0031) or less

### DIFFERENTIAL SIDE GEAR CLEARANCE

Unit: mm (in)

Item	Specification
Side gear backlash (Clearance between side gear and differential case)	0.1 - 0.2 (0.004 - 0.008) or less (Each gear should rotate smoothly without excessive resistance during differential motion.)

### PRELOAD TORQUE

Unit: N·m (kg·m, in·lb)

Item	Specification
Pinion bearing (P1)	1.1 - 1.4 (0.12 - 0.14, 10 - 12)
Side bearing (P2)	0.3 - 1.5 (0.03 - 0.15, 3 - 13)
Side bearing to pinion bearing (Total preload) (Total preload = P1 + P2)	1.4 - 2.9 (0.15 - 0.29, 13 - 25)

### BACKLASH

Unit: mm (in)

Item	Specification
Drive gear to drive pinion gear	0.10 - 0.15 (0.0039 - 0.0059)

# SERVICE DATA AND SPECIFICATIONS (SDS)

[C200]

## COMPANION FLANGE RUNOUT

Unit: mm (in)

Item	Runout limit
Companion flange face	0.08 (0.0031) or less
Inner side of the companion flange	0.08 (0.0031) or less

## SELECTIVE PARTS

### Side Gear Thrust Washer

Unit: mm (in)

Thickness	Part number*	Thickness	Part number*
0.75 (0.0295)	38424 EC000	0.87 (0.0343)	38424 EC004
0.78 (0.0307)	38424 EC001	0.90 (0.0350)	38424 EC005
0.81 (0.0319)	38424 EC002	0.93 (0.0366)	38424 EC006
0.84 (0.0331)	38424 EC003		

\*: Always check with the Parts Department for the latest parts information.

### Pinion Height Adjusting Washer

Unit: mm (in)

Thickness	Part number*	Thickness	Part number*
3.05 (0.1201)	38154 0C000	3.29 (0.1295)	38154 0C008
3.08 (0.1213)	38154 0C001	3.32 (0.1307)	38154 0C009
3.11 (0.1224)	38154 0C002	3.35 (0.1319)	38154 0C010
3.14 (0.1236)	38154 0C003	3.38 (0.1331)	38154 0C011
3.17 (0.1248)	38154 0C004	3.41 (0.1343)	38154 0C012
3.20 (0.1260)	38154 0C005	3.44 (0.1354)	38154 0C013
3.23 (0.1272)	38154 0C006	3.47 (0.1366)	38154 0C014
3.26 (0.1283)	38154 0C007	3.50 (0.1378)	38154 0C015

\*: Always check with the Parts Department for the latest parts information.

### Side Bearing Adjusting Washer

Unit: mm (in)

Thickness	Part number*	Thickness	Part number*
2.00 (0.0787)	38453 N3100	2.35 (0.0925)	38453 N3107
2.05 (0.0807)	38453 N3101	2.40 (0.0945)	38453 N3108
2.10 (0.0827)	38453 N3102	2.45 (0.0965)	38453 N3109
2.15 (0.0846)	38453 N3103	2.50 (0.0984)	38453 N3110
2.20 (0.0866)	38453 N3104	2.55 (0.1004)	38453 N3111
2.25 (0.0886)	38453 N3105	2.60 (0.1024)	38453 N3112
2.30 (0.0906)	38453 N3106	2.65 (0.1043)	38453 N3113

\*: Always check with the Parts Department for the latest parts information.

# PRECAUTIONS

## [M226 WITHOUT ELECTRONIC LOCKING DIFFEREN-

### PRECAUTIONS

PFP:00001

#### Service Notice or Precautions

EDS002ZL

- Check for the correct installation status prior to removal or disassembly. If matching marks are required, be certain they do not interfere with the function of the parts when applied.
- Overhaul should be done in a clean work area, it is preferable to work in dust proof area.
- Before disassembly completely remove sand and mud from the exterior of the unit, preventing them from entering into the unit during disassembly or assembly.
- Check appearance of the disassembled parts for damage, deformation, and unusual wear. Replace them with new ones if necessary.
- Gaskets, seals and O-rings should be replaced any time the unit is disassembled.
- In principle, tighten bolts or nuts gradually in several steps working diagonally from inside to outside. If tightening sequence is specified, observe it.
- Clean and flush the parts sufficiently and blow-dry them.
- Be careful not to damage sliding surfaces and mating surfaces.
- When applying sealant, remove the old sealant from the mounting surface; then remove any moisture, oil, and foreign materials from the application and mounting surfaces.
- Always use shop paper for cleaning the inside of components.
- Avoid using cotton gloves or shop rags to prevent entering of lint.
- During assembly, observe the specified tightening torque, and apply new differential gear oil, petroleum jelly, or multi-purpose grease as specified.

A

B

C

RFD

E

F

G

H

I

J

K

L

M

# PREPARATION

## [M226 WITHOUT ELECTRONIC LOCKING DIFFEREN-

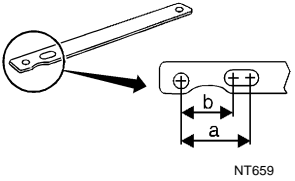
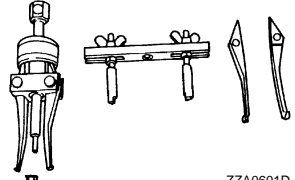
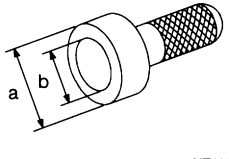
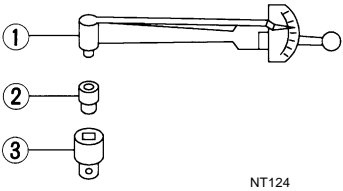
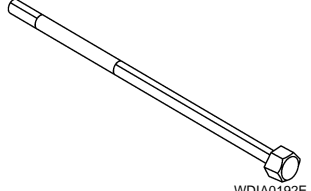
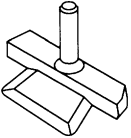
PFP:00002

### PREPARATION

### Special Service Tools

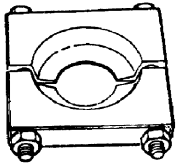
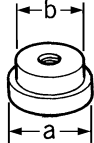
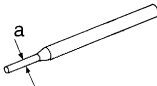
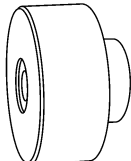
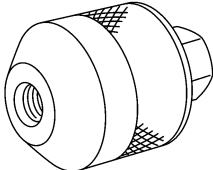

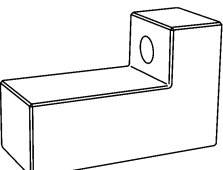
EDS002ZM

The actual shapes of Kent-Moore tools may differ from those of special service tools illustrated here.

Tool number (Kent-Moore No.) Tool name	Description
KV40104000 ( — ) Flange wrench	 Removing and installing drive pinion nut <b>a: 85 mm (3.35 in) dia.</b> <b>b: 65 mm (2.56 in) dia.</b>
ST33290001 (J-34286) Puller	 Removing front oil seal
ST15310000 ( — ) Drift	 Installing front oil seal <b>a: 96mm (3.77 in) dia.</b> <b>b: 84 mm (3.30 in) dia.</b>
ST3127S000 (J-25765-A) Preload gauge set 1. GG91030000 (J-25765) Torque wrench 2. HT62940000 (1/2") ( — ) Socket adapter 3. HT62900000 (3/8") ( — ) Socket adapter	 Inspecting drive pinion bearing preload and total preload
— (C-4164) Adjuster tool	 Removing and installing side bearing ad- juster
KV10111100 (J-37228) Seal cutter	 Removing carrier cover

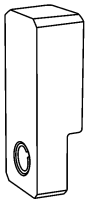
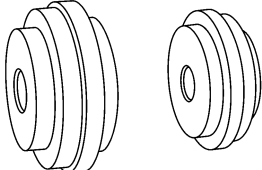
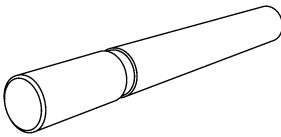
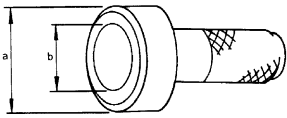
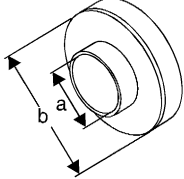
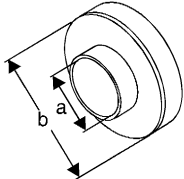
# PREPARATION

## [M226 WITHOUT ELECTRONIC LOCKING DIFFEREN-

Tool number (Kent-Moore No.) Tool name	Description	
ST30021000 (J-22912-01) Puller <div style="text-align: center;">  <p style="font-size: small;">ZZA0700D</p> </div>	Removing drive pinion rear bearing inner race	A B C
ST33081000 ( — ) Adapter <div style="text-align: center;">  <p style="font-size: small;">ZZA1000D</p> </div>	Removing and installing side bearing inner race <b>a: 43 mm (1.69 in) dia.</b> <b>b: 33.5 mm (1.32 in) dia.</b>	RFD E
ST23550000 ( — ) Pin punch <div style="text-align: center;">  <p style="font-size: small;">NT410</p> </div>	Removing and installing lock pin <b>a: 4.5 mm (0.177 in) dia.</b>	F G H
— (8144) Pinion block <div style="text-align: center;">  <p style="font-size: small;">SDIA2599E</p> </div>	Adjusting pinion gear height	I J
— (6740) Cone <div style="text-align: center;">  <p style="font-size: small;">SDIA2601E</p> </div>	Adjusting pinion gear height	K L
— (6741) Screw <div style="text-align: center;">  <p style="font-size: small;">SDIA2602E</p> </div>	Adjusting pinion gear height	M
— (6739) Pinion height lock <div style="text-align: center;">  <p style="font-size: small;">SDIA2603E</p> </div>	Adjusting pinion gear height	

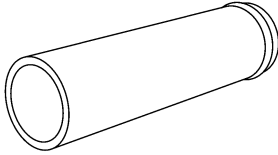
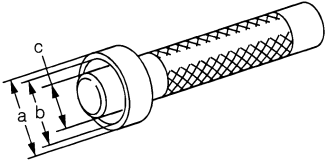
# PREPARATION

## [M226 WITHOUT ELECTRONIC LOCKING DIFFEREN-

Tool number (Kent-Moore No.) Tool name	Description
<p>— (D-115-2) Scooter block</p>  <p style="text-align: right; margin-right: 20px;">SDIA2604E</p>	Adjusting pinion gear height
<p>— (8541A-1) Arbor disc</p>  <p style="text-align: right; margin-right: 20px;">SDIA2605E</p>	Adjusting pinion gear height
<p>— (D-115-3) Arbor</p>  <p style="text-align: right; margin-right: 20px;">SDIA2606E</p>	Adjusting pinion gear height
<p>ST01500001 ( — ) Drift</p>  <p style="text-align: right; margin-right: 20px;">ZZA0811D</p>	Installing drive pinion rear bearing outer race <b>a: 89mm (3.50 in) dia.</b> <b>b: 79 mm (3.11 in) dia.</b>
<p>ST30022000 ( — ) Drift</p>  <p style="text-align: right; margin-right: 20px;">NT660</p>	Installing drive pinion rear bearing outer race <b>a: 46 mm (1.81 in) dia.</b> <b>b: 110 mm (4.33 in) dia.</b>
<p>ST33022000 ( — ) Drift</p>  <p style="text-align: right; margin-right: 20px;">NT660</p>	Installing drive pinion front bearing outer race <b>a: 49 mm (1.92 in) dia.</b> <b>b: 67 mm (2.63 in) dia.</b>

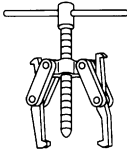
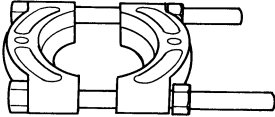
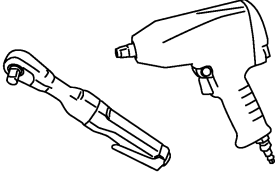


# PREPARATION [M226 WITHOUT ELECTRONIC LOCKING DIFFEREN-

Tool number (Kent-Moore No.) Tool name	Description
<p>— (C-4040) Installer</p>  <p style="text-align: right; margin-right: 50px;">SDIA2607E</p>	<p>Installing drive pinion rear bearing inner race</p>
<p>KV38100300 (J-25523) Drift</p>  <p style="text-align: right; margin-right: 50px;">ZZA1046D</p>	<p>Installing side bearing inner race  <b>a: 54 mm (2.13 in) dia.</b>  <b>b: 46 mm (1.81 in) dia.</b>  <b>c: 32mm (1.26 in) dia.</b></p>

## Commercial Service Tools

EDS0022N

Tool name	Description
<p>Puller</p>  <p style="text-align: right; margin-right: 50px;">NT077</p>	<p>Removing companion flange and side bearing inner race</p>
<p>Puller</p>  <p style="text-align: right; margin-right: 50px;">ZZB0823D</p>	<p>Removing side bearing inner race</p>
<p>Power tool</p>  <p style="text-align: right; margin-right: 50px;">PBIC0190E</p>	<p>Loosening bolts and nuts</p>

# NOISE, VIBRATION, AND HARSHNESS (NVH) TROUBLESHOOTING

## [M226 WITHOUT ELECTRONIC LOCKING DIFFERENTIAL]

### NOISE, VIBRATION, AND HARSHNESS (NVH) TROUBLESHOOTING

PF0:0003

#### NVH Troubleshooting Chart

EDS002Z0

Use the chart below to help you find the cause of the symptom. If necessary, repair or replace these parts.

Symptom		Possible cause and SUSPECTED PARTS												
Noise		Gear tooth rough	Gear contact improper	Tooth surfaces worn	Backlash incorrect	Companion flange excessive runout	Gear oil improper	PROPELLER SHAFT	AXLE AND SUSPENSION	TIRES	ROAD WHEEL	AXLE SHAFT	BRAKES	STEERING
Reference page		—	<a href="#">RFD-51, "Tooth Contact"</a>	—	<a href="#">RFD-52, "Backlash"</a>	<a href="#">RFD-53, "Companion Flange Runout"</a>	<a href="#">RFD-44, "Checking Differential Gear Oil"</a>	<a href="#">PR-3, "NVH Troubleshooting Chart"</a>	<a href="#">RAX-5, "NVH Troubleshooting Chart", RSU-4, "NVH Troubleshooting Chart"</a>	<a href="#">WT-4, "NVH Troubleshooting Chart"</a>	<a href="#">RAX-5, "NVH Troubleshooting Chart"</a>	<a href="#">BR-5, "NVH Troubleshooting Chart"</a>	<a href="#">PS-5, "NVH Troubleshooting Chart"</a>	
		×	×	×	×	×	×	×	×	×	×	×	×	×

×: Applicable

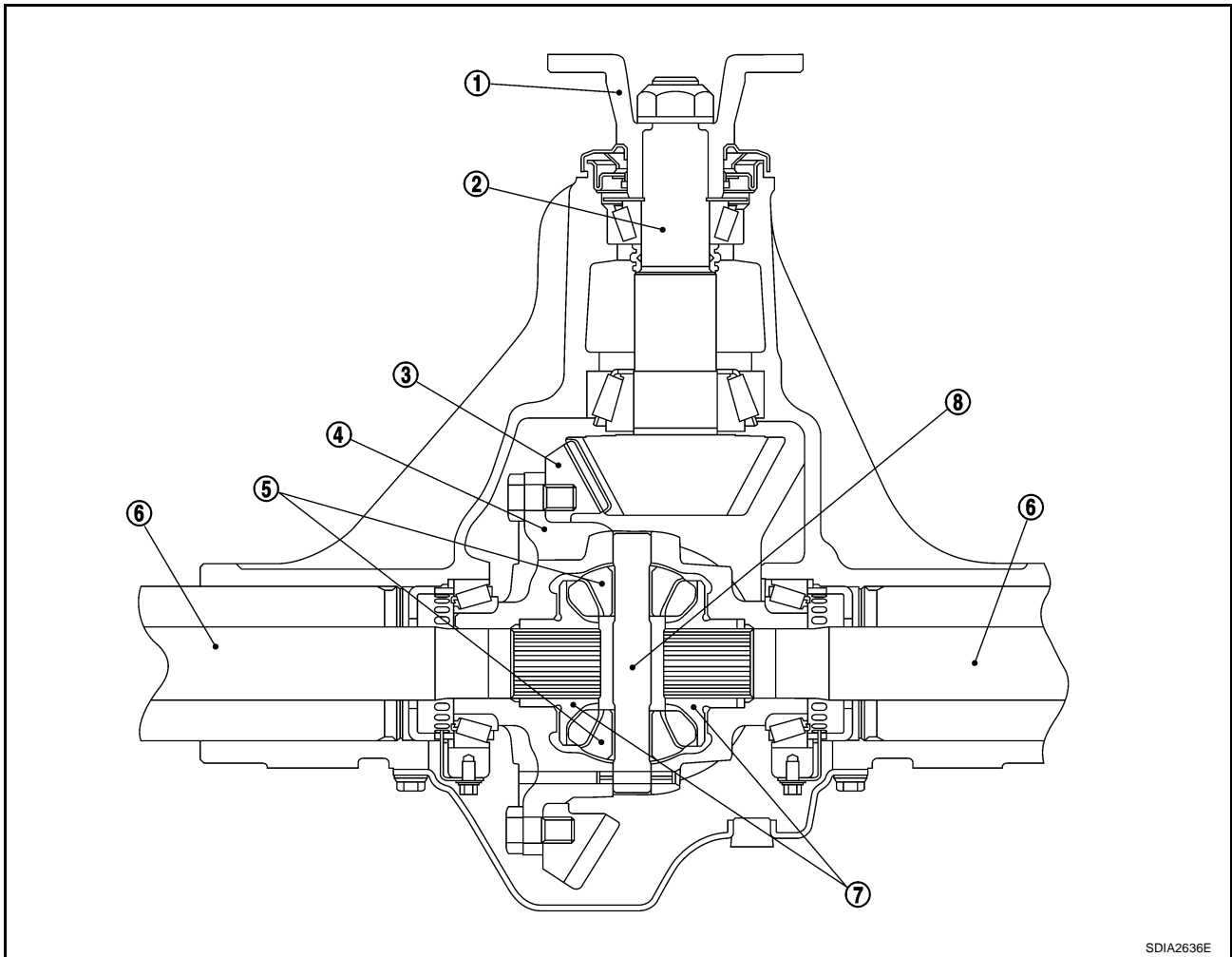
# DESCRIPTION [M226 WITHOUT ELECTRONIC LOCKING DIFFEREN-

## DESCRIPTION

PF0:0000

## Cross-Sectional View

EDS002ZP



- 1. Companion flange
- 4. Differential case
- 7. Side gear

- 2. Drive pinion
- 5. Pinion mate gear
- 8. Pinion mate shaft

- 3. Drive gear
- 6. Axle shaft

SDIA2636E

A  
B  
C  
RFD  
E  
F  
G  
H  
I  
J  
K  
L  
M

# DIFFERENTIAL GEAR OIL

## [M226 WITHOUT ELECTRONIC LOCKING DIFFEREN-

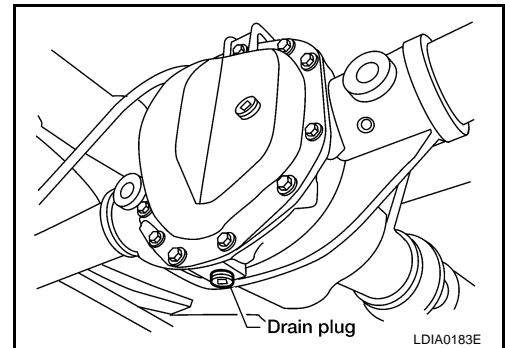
PFP:KLD30

### DIFFERENTIAL GEAR OIL

#### Changing Differential Gear Oil DRAINING

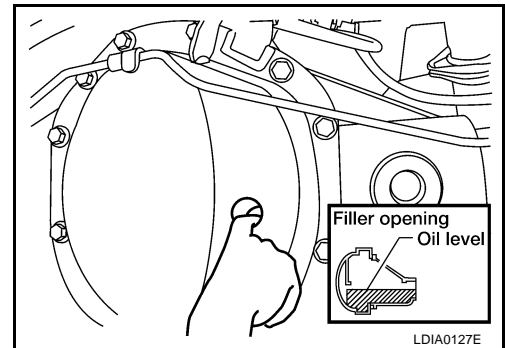
EDS002Z0

1. Stop engine.
2. Remove drain plug and drain gear oil.
3. Apply sealant to drain plug. Install drain plug to final drive assembly and tighten to the specified torque. Refer to [RFD-50, "COMPONENTS"](#).
  - Use Genuine Silicone RTV or equivalent. Refer to [GI-46, "Recommended Chemical Products and Sealants"](#).



#### FILLING

1. Remove filler plug. Fill with new gear oil until oil level reaches the specified limit near filler plug hole.
  - Oil grade and Viscosity:**  
Refer to [MA-11, "Fluids and Lubricants"](#).
  - Oil capacity:**  
Refer to [MA-11, "Fluids and Lubricants"](#).
2. After refilling oil, check oil level. Apply sealant to filler plug. Install filler plug to final drive assembly and tighten to the specified torque. Refer to [RFD-50, "COMPONENTS"](#).
  - Use Genuine Silicone RTV or equivalent. Refer to [GI-46, "Recommended Chemical Products and Sealants"](#).



#### Checking Differential Gear Oil OIL LEAKAGE AND OIL LEVEL

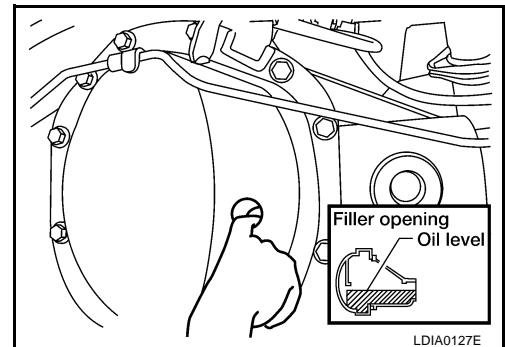
EDS002ZR

1. Make sure that gear oil is not leaking from final drive assembly or around it.
2. Check oil level from filler plug hole as shown.

#### **CAUTION:**

**Do not start engine while checking oil level.**

3. Apply sealant to filler plug. Install filler plug to final drive assembly and tighten to the specified torque. Refer to [RFD-50, "COMPONENTS"](#).
  - Use Genuine Silicone RTV or equivalent. Refer to [GI-46, "Recommended Chemical Products and Sealants"](#).



# FRONT OIL SEAL [M226 WITHOUT ELECTRONIC LOCKING DIFFEREN-

## FRONT OIL SEAL

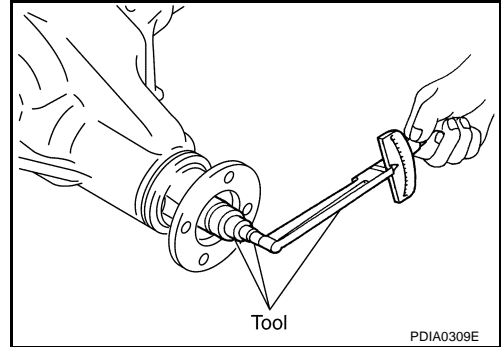
PFP:38189

### Removal and Installation REMOVAL

EDS002ZS

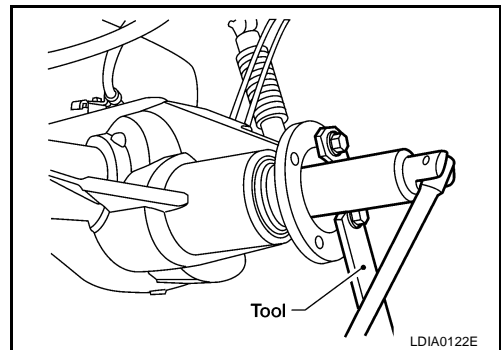
1. Remove the rear propeller shaft. Refer to [PR-10, "Removal and Installation"](#).
2. Remove the brake calipers and rotors. Refer to [BR-29, "Removal and Installation of Brake Caliper and Disc Rotor"](#).
3. Rotate the pinion three or four times using Tool and record the rotating torque.

**Tool number : ST3127S000 (J-25765-A)**



4. Remove the drive pinion lock nut, using Tool.

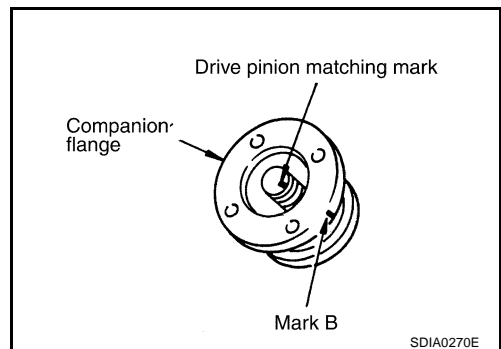
**Tool number : KV40104000 ( — )**



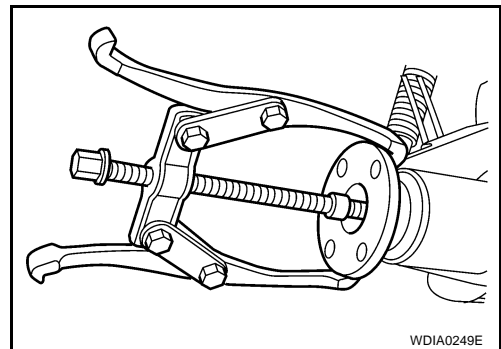
5. Put a matching mark on the end of the drive pinion in line with the matching mark B on the companion flange.

**CAUTION:**

**Use paint to make the matching mark on the drive pinion.  
Do not damage the companion flange or drive pinion.**



6. Remove the companion flange using suitable tool.



A

B

C

RFD

E

F

G

H

I

J

K

L

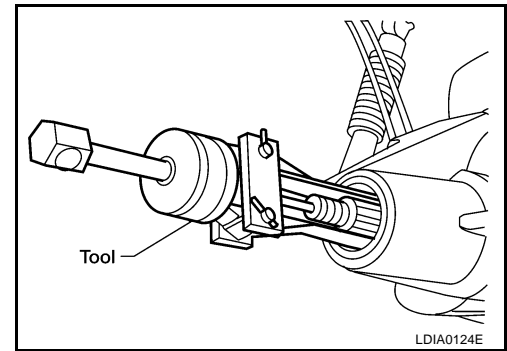
M

## FRONT OIL SEAL [M226 WITHOUT ELECTRONIC LOCKING DIFFEREN-

7. Remove the front oil seal using Tool.

**Tool number** : ST33290001 (J-34286)

**CAUTION:**  
Do not damage axle housing.



# FRONT OIL SEAL [M226 WITHOUT ELECTRONIC LOCKING DIFFEREN-

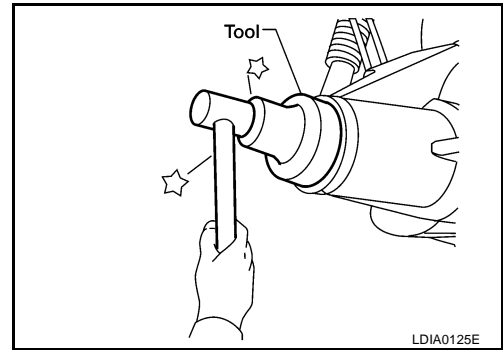
## INSTALLATION

1. Apply multi-purpose grease to the new oil seal lips, and gear oil onto the circumference of the new oil seal. Install the new front oil seal into the axle housing using Tool.

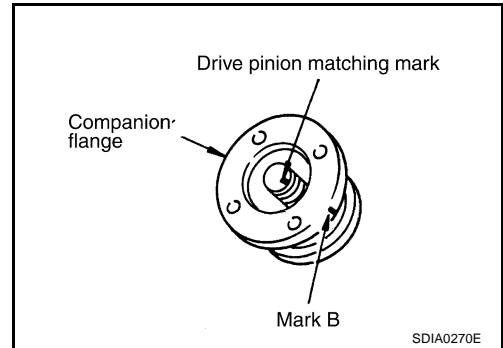
**Tool number** : ST15310000 ( — )

### CAUTION:

- Do not reuse oil seal.
- Do not incline oil seal when installing.
- Apply multi-purpose grease onto oil seal lips, and gear oil onto the circumference of oil seal.



2. Align the matching mark of the drive pinion with the matching mark B of the companion flange, then install the companion flange.

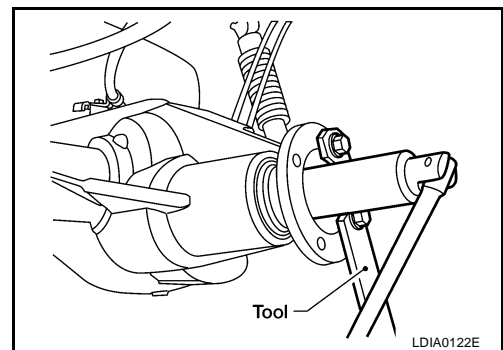


3. Install the washer (if required), and new drive pinion nut. Tighten the nut until there is zero bearing end play using Tool.

**Tool number** : KV40104000 ( — )

### CAUTION:

Do not reuse drive pinion nut and washer.



4. Rotate the drive pinion using Tool. Rotating torque should be equal to the reading recorded in step 4 above during removal plus an additional 0.56 N·m (5 in-lb).

**Tool number** : ST3127S000 (J-25765-A)

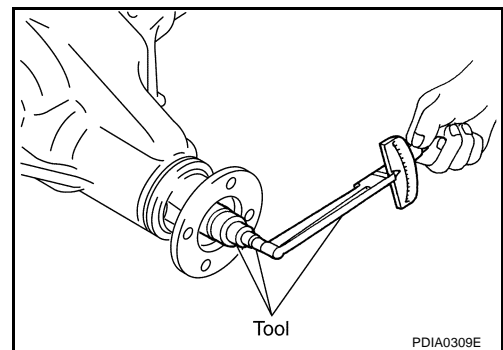
5. If the rotating torque is low, continue to tighten the drive pinion nut in 6.8 N·m (5 ft-lb) increments without overtightening. Refer to [RFD-50, "COMPONENTS"](#) . Tighten until proper rotating torque is achieved.

### CAUTION:

- Do not loosen the drive pinion nut to decrease drive pinion rear bearing rotating torque.
- Do not exceed specified rotating preload torque. If preload torque or rotating torque is exceeded a new collapsible spacer must be installed.
- Do not exceed maximum tightening torque. If maximum tightening torque is reached prior to reaching the required rotating torque, the collapsible spacer may have been damaged. Replace the collapsible spacer.

6. Check the gear oil level. Refer to [RFD-44, "Checking Differential Gear Oil"](#) .

7. Install the remaining components in the reverse order of removal.



# CARRIER COVER [M226 WITHOUT ELECTRONIC LOCKING DIFFEREN-

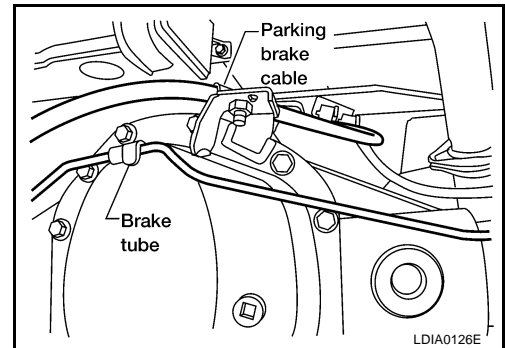
PFP:38351

## CARRIER COVER

### Removal and Installation REMOVAL

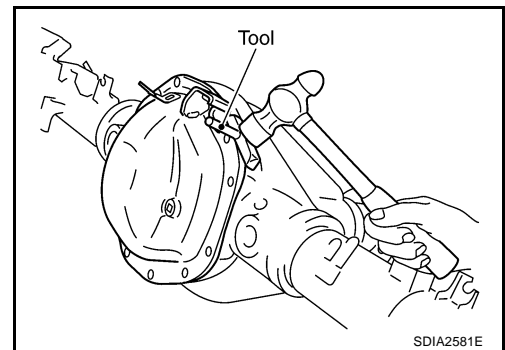
EDS002ZT

1. Remove the drain plug and drain the gear oil. Refer to [RFD-44, "DRAINING"](#).
2. Disconnect the parking brake cable and brake tube from the carrier cover.



3. Remove the carrier cover bolts. Then separate the carrier cover from the axle housing using Tool.

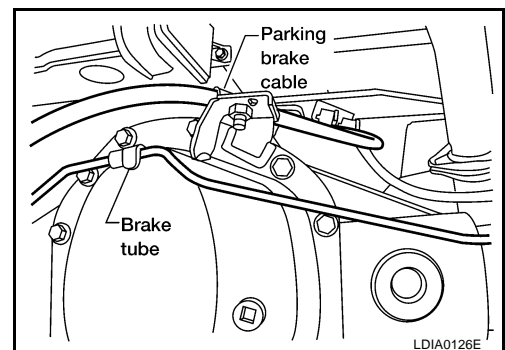
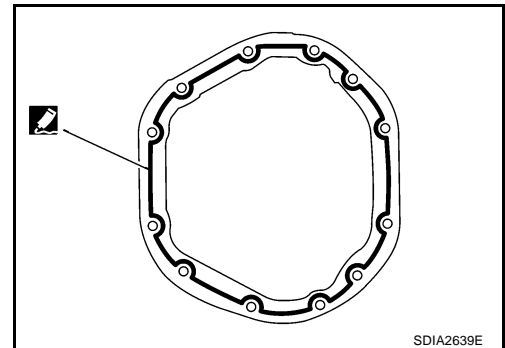
**Tool number** : KV10111100 (J-37228)



### INSTALLATION

1. Apply sealant to mating surface of carrier cover.
  - Use Genuine Silicone RTV or equivalent. Refer to [GI-46, "Recommended Chemical Products and Sealants"](#).

**CAUTION:**  
Remove old sealant adhering to mounting surfaces. Also remove any moisture, oil, or foreign material adhering to application and mounting surfaces.
2. Install carrier cover on axle housing and tighten carrier cover bolts to the specified torque. Refer to [RFD-50, "COMPONENTS"](#).
3. Connect the brake tube and parking brake cable to the carrier cover and tighten to the specified torque. Refer to [PB-4, "Components"](#).
4. Fill with new gear oil until oil level reaches the specified limit near filler plug hole. Refer to [RFD-44, "Checking Differential Gear Oil"](#).





# REAR FINAL DRIVE ASSEMBLY

## [M226 WITHOUT ELECTRONIC LOCKING DIFFEREN-

### REAR FINAL DRIVE ASSEMBLY

PF3:38300

#### Removal and Installation

EDS002ZU

#### REMOVAL

1. Drain the rear final drive gear oil. Refer to [RFD-44, "DRAINING"](#) .
2. Remove the rear propeller shaft. Refer to [PR-10, "Removal and Installation"](#) .
  - Plug rear end of transfer (4WD models only).
3. Remove the axle shafts, back plates and torque members. Refer to [RAX-7, "Removal and Installation"](#) .
4. Remove the stabilizer bar. Refer to [RSU-11, "Removal and Installation"](#) .
5. Disconnect the following components from the rear final drive.
  - ABS sensor wire harness
  - Parking brake cable
  - Brake hoses and tubes

#### CAUTION:

Position the wire harness, cable and hoses away from the final drive assembly. Failure to do so may result in components being damaged during rear axle assembly removal.

6. Support the rear final drive using a suitable jack.
7. Remove rear shock absorber lower bolts. Refer to [RSU-7, "Removal and Installation"](#) .
8. Remove leaf spring U-bolt nuts. Refer to [RSU-8, "Removal and Installation"](#) .

#### WARNING:

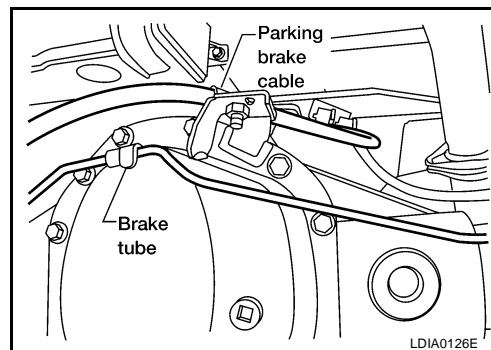
Support the rear final drive assembly using suitable jack before removing leaf spring U-bolt nuts.

9. Remove rear final drive assembly using suitable jack.

#### INSTALLATION

Installation is in the reverse order of removal.

- Fill the rear final drive with new gear oil until oil level reaches the specified limit near the filler plug hole. Refer to [RFD-44, "Checking Differential Gear Oil"](#) .
- Refill brake fluid and bleed the air from the brake system. Refer to [BR-10, "Bleeding Brake System"](#) .



A

B

C

RFD

E

F

G

H

I

J

K

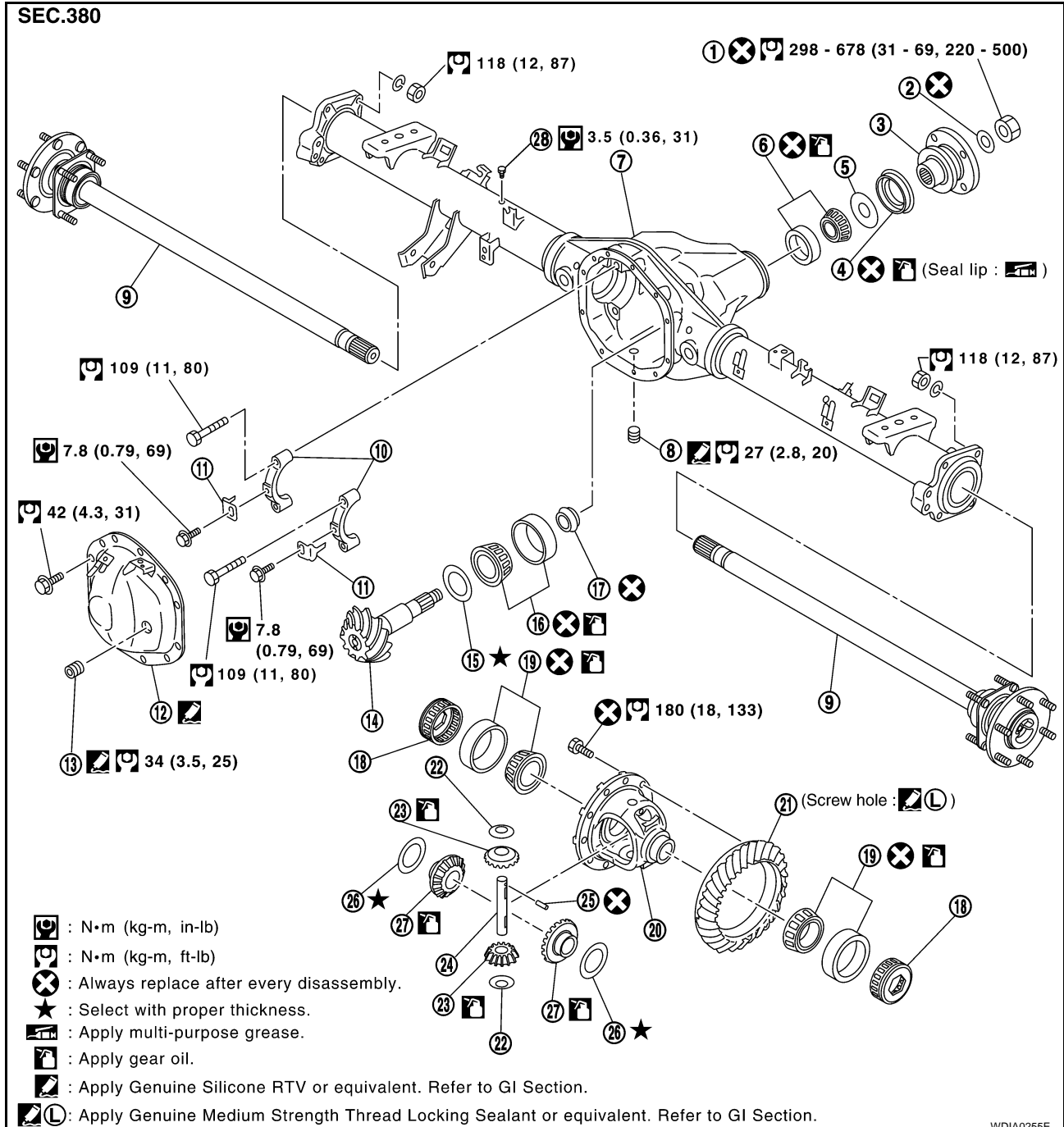
L

M

# REAR FINAL DRIVE ASSEMBLY [M226 WITHOUT ELECTRONIC LOCKING DIFFEREN-

EDS002ZV

## Disassembly and Assembly COMPONENTS



WDIA0255E

- |                               |                                |  |
|-------------------------------|--------------------------------|--|
| 1. Drive pinion nut           | 2. Drive pinion nut washer     | 3. Companion flange                      |
| 4. Front oil seal             | 5. Front bearing thrust washer | 6. Drive pinion front bearing            |
| 7. Axle housing               | 8. Drain plug                  | 9. Axle shaft assembly                   |
| 10. Side bearing cap          | 11. Adjuster lock plate        | 12. Carrier cover                        |
| 13. Filler plug               | 14. Drive pinion               | 15. Drive pinion height adjusting washer |
| 16. Drive pinion rear bearing | 17. Collapsible spacer         | 18. Side bearing adjuster                |
| 19. Side bearing              | 20. Differential case          | 21. Drive gear                           |
| 22. Pinion mate thrust washer | 23. Pinion mate gear           | 24. Pinion mate shaft                    |
| 25. Lock pin                  | 26. Side gear thrust washer    | 27. Side gear                            |
| 28. Breather                  |                                |  |

# REAR FINAL DRIVE ASSEMBLY

## [M226 WITHOUT ELECTRONIC LOCKING DIFFEREN-

### ASSEMBLY INSPECTION AND ADJUSTMENT

#### Total Preload Torque

1. Turn drive pinion in both directions several times to set bearing rollers.
2. Check total preload using Tool.

**Tool number** : ST3127S000 (J-25765-A)

**Total preload (with oil seal)**  
: 2.49 - 4.57 N·m (0.26 - 0.46 kg·m, 22- 40 in·lb)

#### NOTE:

**Total preload torque = Pinion bearing torque + Side bearing torque**

- If measured value is out of the specification, disassemble it to check and adjust each part. Adjust pinion bearing preload and side bearing preload. Adjust pinion bearing preload first, then adjust side bearing preload.

#### When the preload torque is greater than specification

- On pinion bearings:** Replace collapsible spacer.
- On side bearings:** Loosen side bearing adjuster.

#### When the preload torque is less than specification

- On pinion bearings:** Tighten drive pinion nut.
- On side bearings:** Tighten side bearing adjuster.

#### Tooth Contact

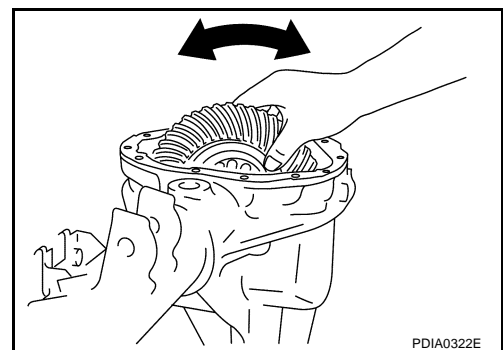
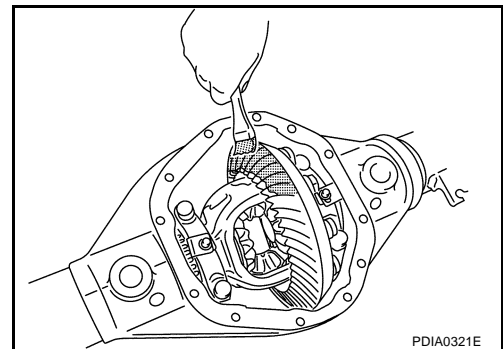
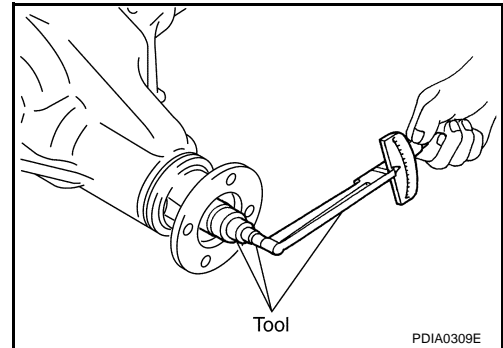
Checking gear tooth contact pattern is necessary to verify correct relationship between drive gear and drive pinion. Gears which are not positioned in proper arrangement may be noisy and/or have a short life. Check gear tooth contact pattern to obtain the best contact for low noise and long life.

1. Remove rear cover. Refer to [RFD-54, "DISASSEMBLY"](#).
2. Thoroughly clean drive gear and drive pinion teeth.
3. Apply red lead to drive gear.

#### CAUTION:

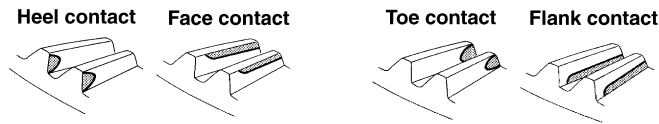
**Apply red lead to both the faces of 3 to 4 gears at 4 locations evenly spaced on drive gear.**

4. Hold companion flange steady by hand and rotate drive gear in both directions.



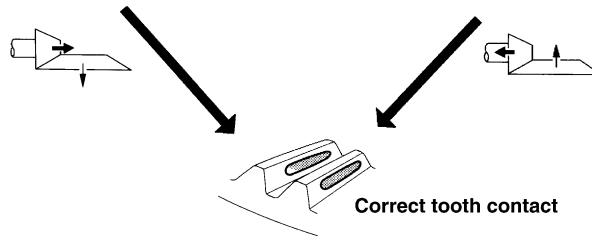
# REAR FINAL DRIVE ASSEMBLY [M226 WITHOUT ELECTRONIC LOCKING DIFFEREN-

Usually the pattern will be correct if washers are correctly calculated and the backlash is correct. However, in rare cases, trial and error processes may be employed to obtain a correct pattern. The tooth pattern is the best indication of how well a differential has been set up.



To correct, increase thickness of drive pinion height adjusting washer in order to bring drive pinion close to drive gear.

To correct, reduce thickness of drive pinion height adjusting washer in order to make drive pinion go away from drive gear.



When adjustment is completed, be sure to wipe off completely the red lead and oil or their equivalent.

SDIA2591E

- If outside the standard, adjust drive pinion height adjusting washer and backlash. Refer to [RFD-60, "Drive Pinion Height Adjusting Washer"](#) and [RFD-52, "Backlash"](#).

## Backlash

- Remove rear cover. Refer to [RFD-54, "DISASSEMBLY"](#).
- Check drive gear to drive pinion backlash using a dial indicator at several points.

**Drive gear to drive pinion backlash:**  
**0.08 - 0.13 mm (0.0031 - 0.0051 in)**

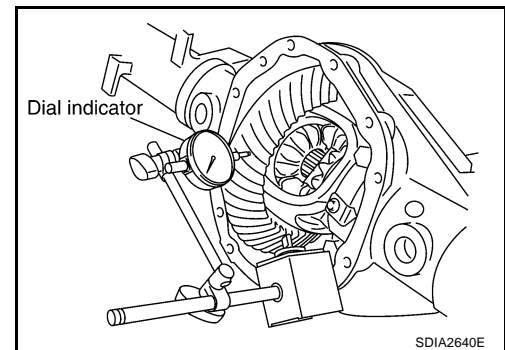
- If outside the standard, adjust side bearing adjuster.

### CAUTION:

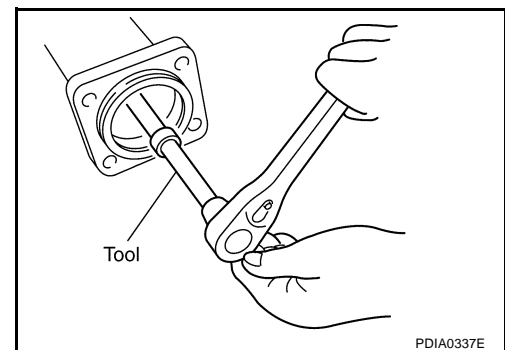
**Check tooth contact and total preload after adjusting side bearing adjuster. Refer to [RFD-51, "Total Preload Torque"](#), [RFD-51, "Tooth Contact"](#).**

- Remove adjuster lock plate.
- Loosen side bearing cap bolts.
- Tighten or loosen each side bearing adjuster using Tool.

**Tool number : — (C - 4164)**



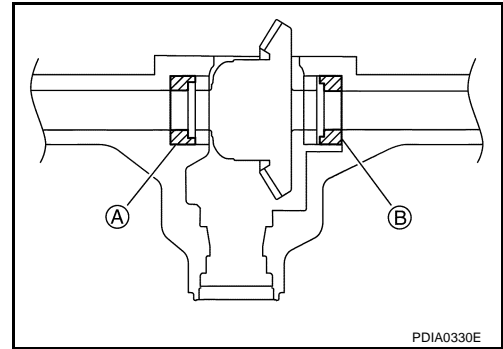
SDIA2640E



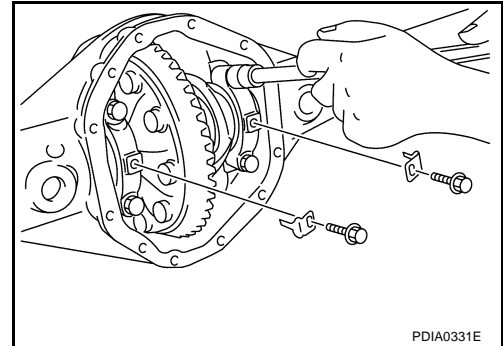
PDIA0337E

## REAR FINAL DRIVE ASSEMBLY [M226 WITHOUT ELECTRONIC LOCKING DIFFEREN-

- d. In case of excessive backlash, loosen side bearing adjuster A and tighten side bearing adjuster B. In case of insufficient backlash, loosen side bearing adjuster B and tighten side bearing adjuster A.



- e. After adjusting backlash, tighten cap bolts to the specified torque. Refer to [RFD-50, "COMPONENTS"](#) .
- f. Install adjuster lock plate and tighten to the specified torque. Refer to [RFD-50, "COMPONENTS"](#) .



### Companion Flange Runout

1. Fit a dial indicator onto companion flange face (inner side of propeller shaft bolt holes).
2. Rotate companion flange to check for runout.

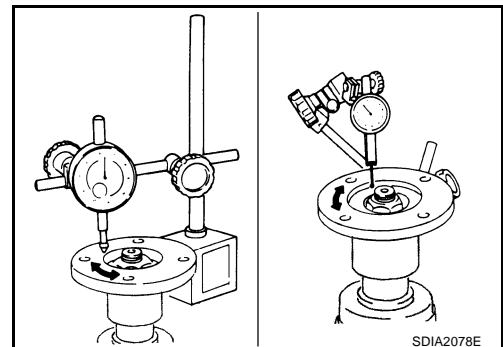
**Runout limit : 0.10 mm (0.0039 in) or less**

3. Fit a test indicator to the inner side of companion flange (socket diameter).
4. Rotate companion flange to check for runout.

**Runout limit : 0.13 mm (0.0051 in) or less**

5. If the runout value is outside the repair limit, follow the procedure below to adjust.

- a. Check for runout while changing the phase between companion flange and drive pinion by 90°, 180° and 270° and search for the point where the runout is the minimum.
- b. If the runout value is still outside of the limit after the phase has been changed, replace companion flange.
- c. If the runout value is still outside of the limit after companion flange has been replaced, check drive pinion bearing and drive pinion assembly.



# REAR FINAL DRIVE ASSEMBLY

## [M226 WITHOUT ELECTRONIC LOCKING DIFFEREN-

### DISASSEMBLY

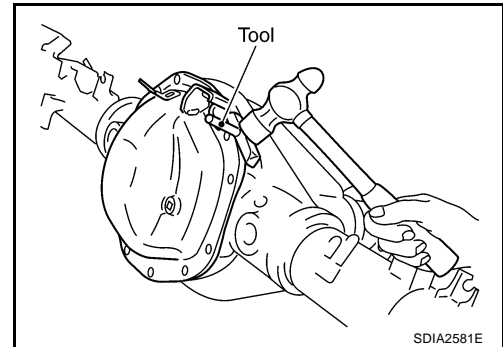
#### Differential Assembly

1. Remove carrier cover bolts.
2. Separate carrier cover from axle housing using Tool.

**Tool number** : KV10111100 (J-37228)

**CAUTION:**

- Be careful not to damage the mating surface.
- Do not insert flat-bladed screwdriver, this will damage the mating surface.

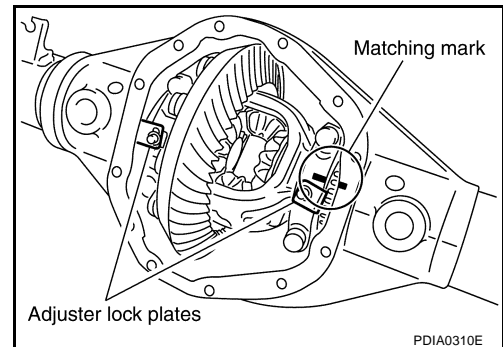


3. For proper reinstallation, paint matching mark on one side of side bearing cap.

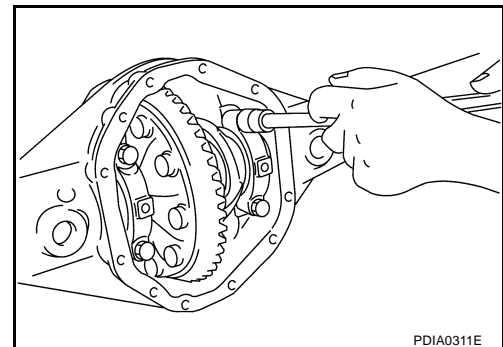
**CAUTION:**

- Side bearing caps are line-board for initial assembly. The matching marks are used to reinstall them in their original positions.
- For matching mark, use paint. Do not damage side bearing cap.

4. Remove adjuster lock plates.

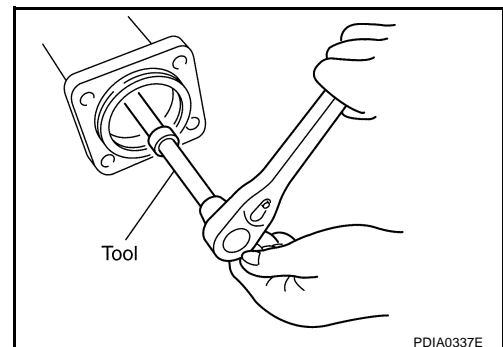


5. Remove side bearing caps.



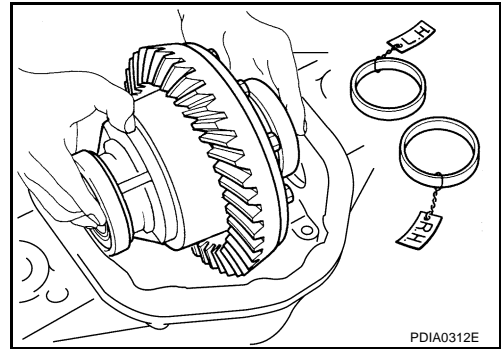
6. Remove side bearing adjusters using Tool.

**Tool number** : — (C - 4164)



## REAR FINAL DRIVE ASSEMBLY [M226 WITHOUT ELECTRONIC LOCKING DIFFEREN-

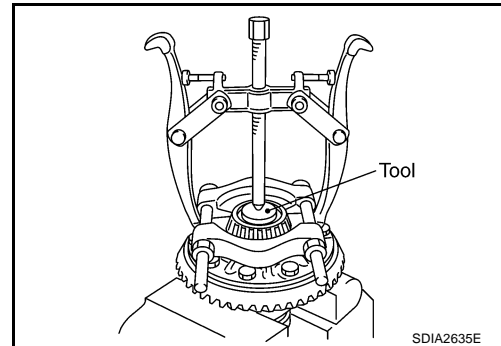
7. Keep side bearing outer races together with inner races. Do not mix them up. Also, keep side bearing adjusters together with bearing.
8. Remove side bearing adjusters from axle housing.



9. Remove side bearing inner races using Tool.

**Tool number** : ST33081000 ( — )

**CAUTION:**  
Be careful not to damage differential case.

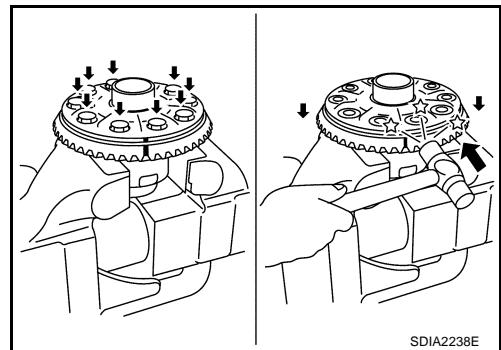


10. For proper reinstallation, paint matching mark on differential case and drive gear.

**CAUTION:**  
For matching mark, use paint. Do not damage differential case and drive gear.

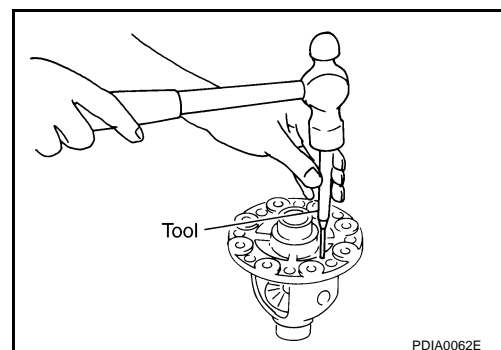
11. Remove drive gear bolts.
12. Tap drive gear off differential case using suitable tool.

**CAUTION:**  
Tap evenly all around to keep drive gear from binding.

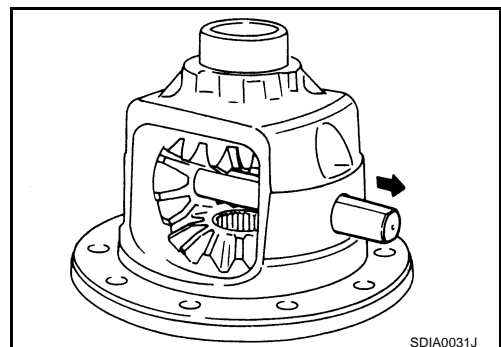


13. Pull lock pin out of pinion mate shaft, using Tool.

**Tool number** : ST23550000 ( — )



14. Remove pinion mate shaft.

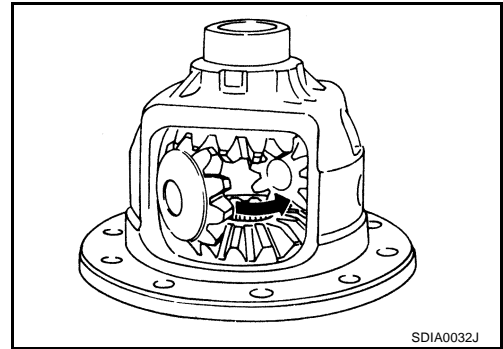


A  
B  
C  
RFD

E  
F  
G  
H  
I  
J  
K  
L  
M

## REAR FINAL DRIVE ASSEMBLY [M226 WITHOUT ELECTRONIC LOCKING DIFFEREN-

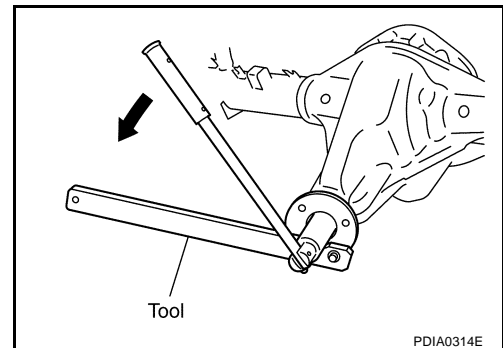
15. Turn pinion mate gear, then remove pinion mate gear, pinion mate thrust washer, side gear and side gear thrust washer from differential case.



### Drive Pinion Assembly

1. Remove differential case assembly. Refer to [RFD-54, "Differential Assembly"](#).
2. Remove drive pinion nut and washer using Tool.

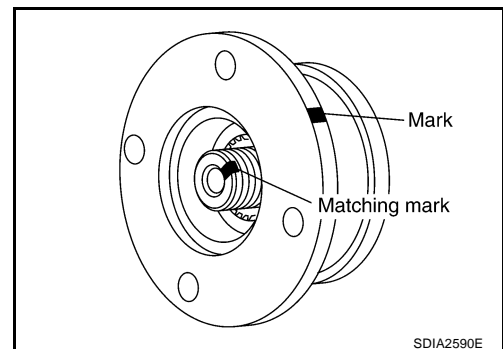
**Tool number** : KV40104000 ( — )



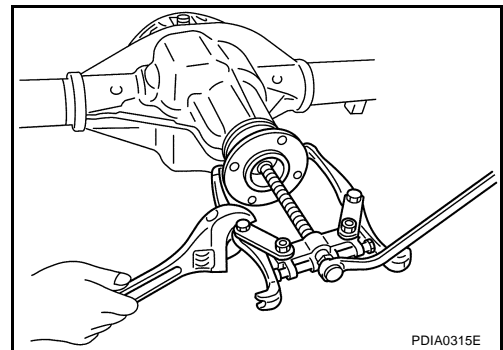
3. Put a matching mark on the thread edge of drive pinion. The mark should be in line with the mark on companion flange.

**CAUTION:**

**For matching mark, use paint. Do not damage drive pinion.**



4. Remove companion flange using suitable tool.





## REAR FINAL DRIVE ASSEMBLY [M226 WITHOUT ELECTRONIC LOCKING DIFFEREN-

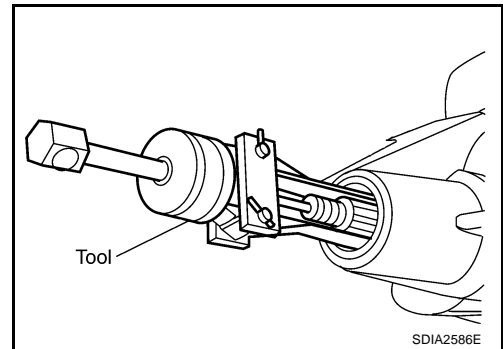
5. Remove front oil seal using Tool.

Tool number : ST33290001 (J-34286)

**CAUTION:**

**Be careful not to damage axle housing.**

6. Remove front bearing thrust washer.

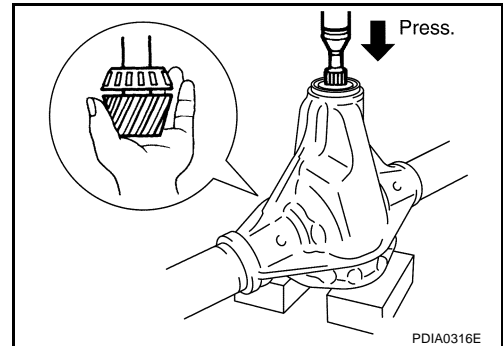


7. Press the drive pinion assembly and collapsible spacer from axle housing.

**CAUTION:**

**Do not drop drive pinion assembly.**

8. Remove drive pinion front bearing inner race from axle housing.



9. Tap drive pinion front bearing outer race uniformly with a brass bar or equivalent to remove.

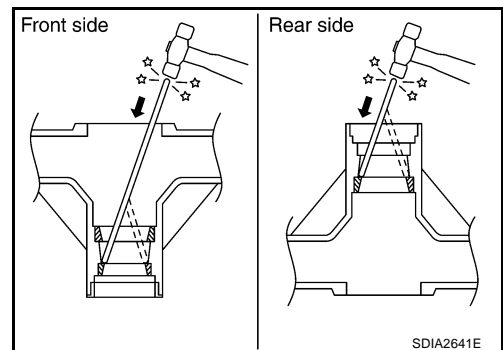
**CAUTION:**

**Be careful not to damage axle housing.**

10. Tap drive pinion rear bearing outer race uniformly with a brass bar or equivalent for removal.

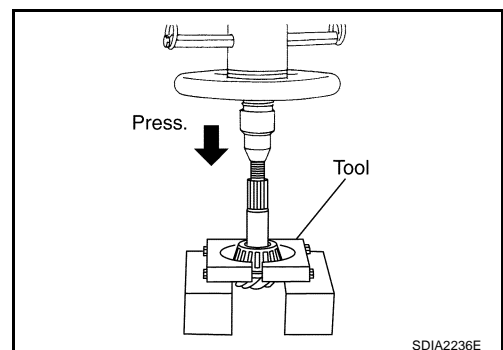
**CAUTION:**

**Be careful not to damage axle housing.**



11. Remove drive pinion rear bearing inner race and drive pinion height adjusting washer using Tool.

Tool number : ST30021000 (J-22912-01)



A  
B  
C  
RFD

E  
F  
G  
H  
I  
J  
K  
L  
M

# REAR FINAL DRIVE ASSEMBLY

## [M226 WITHOUT ELECTRONIC LOCKING DIFFEREN-

---

### INSPECTION AFTER DISASSEMBLY

#### Drive Gear and Drive Pinion

- If the gear teeth do not mesh or line-up correctly, determine the cause and adjust, repair, or replace as necessary.
- If the gears are worn, cracked, damaged, pitted or chipped (by friction) noticeably, replace with new gears.
- Drive gear and drive pinion are supplied in matched sets only. Matching numbers on both drive pinion and drive gear are etched for verification. If a new gear set is being used, verify the numbers of each pinion gear and drive gear before proceeding with assembly.

#### Bearing

- If bearings are chipped (by friction), pitted, worn, rusted, scratched, or unusual noise is coming from bearing, replace with new bearing assembly (as a new set).
- Bearing must be replaced with a new one whenever disassembled.

#### Side Gear, Pinion Mate and Pinion Mate Shaft

- If any cracks or damage are found on the surface of the tooth, replace with new one.
- If any worn or chipped marks are found on the contact sides of thrust washer, replace with new one.
- Replace both side gear and pinion mate gear as a set when replacing side gear or pinion mate gear.

#### Side Gear Thrust Washer and Pinion Mate Thrust Washer

- If any chips (by friction), damage, or unusual wear are found, replace with new one.

#### Differential Case

- If any wear or cracks are found on the contact sides of differential case, replace with new one.

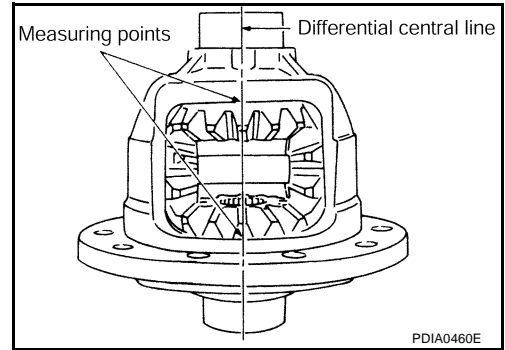
# REAR FINAL DRIVE ASSEMBLY

## [M226 WITHOUT ELECTRONIC LOCKING DIFFEREN-

### SELECTION ADJUSTING WASHERS

#### Side Gear Thrust Washer

1. Place differential case straight up so that side gear to be measured comes upward.



2. Using a thickness gauge, measure the clearance between side gear back and differential case at 3 different points, while rotating side gear. Average the 3 readings, and then measure the clearance. (Measure the clearance of the other side as well.)

**Side gear back clearance standard:**

**0.305 mm (0.0120 in) or less.**

**(Each gear should rotate smoothly without excessive resistance during differential motion.)**

**CAUTION:**

**To prevent side gear from tilting, insert thickness gauges with the same thickness from both sides.**

3. If the back clearance is outside the standard, use a thicker/thinner side gear thrust washer to adjust.

**When the back clearance is greater than specification:**

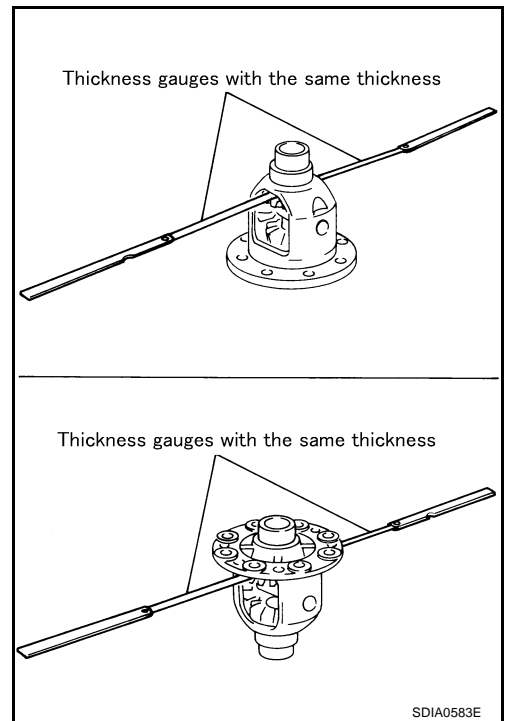
**Use a thicker thrust washer.**

**When the back clearance is less than specification:**

**Use a thinner thrust washer.**

**CAUTION:**

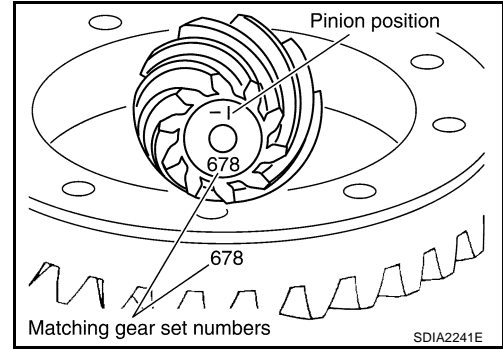
**Select a side gear thrust washer for right and left individually.**



# REAR FINAL DRIVE ASSEMBLY [M226 WITHOUT ELECTRONIC LOCKING DIFFEREN-

## Drive Pinion Height Adjusting Washer

- Drive gear and drive pinion are supplied in matched sets only. Matching numbers on both drive pinion and drive gear are etched for verification. If a new gear set is being used, verify the numbers of each drive pinion and drive gear before proceeding with assembly.



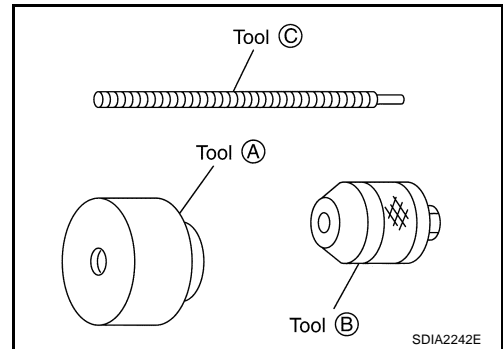
- The mounting distance from the center line of drive gear to the back face of drive pinion for the Model 226 axle assembly is 109.5 mm (4.312 in). On the button end of each drive pinion, there is etched a plus (+) number, a minus (-) number, or a zero (0), which indicates the best running position for each particular gear set. This dimension is controlled by a selective drive pinion height adjusting washer between drive pinion inner bearing race and drive pinion. For example: If a drive pinion is etched m+8 (+3), it would require 0.08 mm (0.003 in) less drive pinion height adjusting washer than a drive pinion etched "0". This means decreasing drive pinion height adjusting washer thickness; increases the mounting distance of drive pinion to 109.6 mm (4.315 in). If a drive pinion is etched m-8 (-3), it would require adding 0.08 mm (0.003 in) more to drive pinion height adjusting washer than would be required if drive pinion were etched "0". By adding 0.08 mm (0.003 in), the mounting distance of drive pinion was decreased to 109.4 mm (4.309 in) which is just what m-8 (a-3) etching indicated.
- To change drive pinion adjustment, use different drive pinion height adjusting washers which come in different thickness.
- Use the following tables as a guide for selecting the correct drive pinion height adjusting washer thickness to add or subtract from the old drive pinion height adjusting washer.

OLD DRIVE PINION MARKING	NEW DRIVE PINION MARKING mm (in)								
	-4	-3	-2	-1	0	+1	+2	+3	+4
+4	+0.20 (+0.008)	+0.18 (+0.007)	+0.15 (+0.006)	+0.13 (+0.005)	+0.10 (+0.004)	+0.08 (+0.003)	+0.05 (+0.002)	+0.02 (+0.001)	0 (0)
+3	+0.18 (+0.007)	+0.15 (+0.006)	+0.13 (+0.005)	+0.10 (+0.004)	+0.08 (+0.003)	+0.05 (+0.002)	+0.02 (+0.001)	0 (0)	-0.02 (-0.001)
+2	+0.15 (+0.006)	+0.13 (+0.005)	+0.10 (+0.004)	+0.08 (+0.003)	+0.05 (+0.002)	+0.02 (+0.001)	0 (0)	-0.02 (-0.001)	-0.05 (-0.002)
+1	+0.13 (+0.005)	+0.10 (+0.004)	+0.08 (+0.003)	+0.05 (+0.002)	+0.02 (+0.001)	0 (0)	-0.02 (-0.001)	-0.05 (-0.002)	-0.08 (-0.003)
0	+0.10 (+0.004)	+0.08 (+0.003)	+0.05 (+0.002)	+0.02 (+0.001)	0 (0)	-0.02 (-0.001)	-0.05 (-0.002)	-0.08 (-0.003)	-0.10 (-0.004)
-1	+0.08 (+0.003)	+0.05 (+0.002)	+0.02 (+0.001)	0 (0)	-0.02 (-0.001)	-0.05 (-0.002)	-0.08 (-0.003)	-0.10 (-0.004)	-0.13 (-0.005)
-2	+0.05 (+0.002)	+0.02 (+0.001)	0 (0)	-0.02 (-0.001)	-0.05 (-0.002)	-0.08 (-0.003)	-0.10 (-0.004)	-0.13 (-0.005)	-0.15 (-0.006)
-3	+0.02 (+0.001)	0 (0)	-0.02 (-0.001)	-0.05 (-0.002)	-0.08 (-0.003)	-0.10 (-0.004)	-0.13 (-0.005)	-0.15 (-0.006)	-0.18 (-0.007)
-4	0 (0)	-0.02 (-0.001)	-0.05 (-0.002)	-0.08 (-0.003)	-0.10 (-0.004)	-0.13 (-0.005)	-0.15 (-0.006)	-0.18 (-0.007)	-0.20 (-0.008)

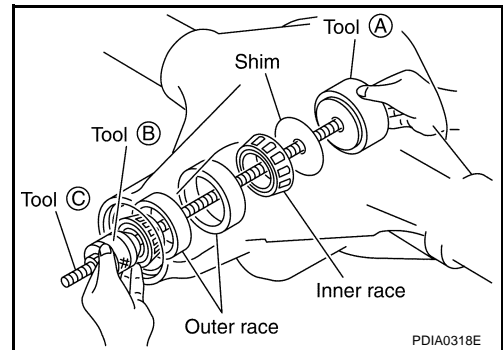
## REAR FINAL DRIVE ASSEMBLY [M226 WITHOUT ELECTRONIC LOCKING DIFFEREN-

1. Make sure all parts are clean and that drive pinion bearings are well lubricated.
2. Assemble drive pinion bearings into Tool.

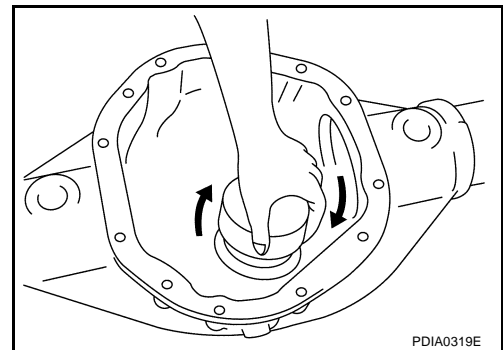
<b>Tool number</b>	<b>A:</b> —	<b>(8144)</b>
	<b>B:</b> —	<b>(6740)</b>
	<b>C:</b> —	<b>(6741)</b>



3. Install drive pinion bearing inner race and drive pinion height adjusting washer to axle housing using Tool as shown.



4. Turn the assembly several times to seat drive pinion bearings.

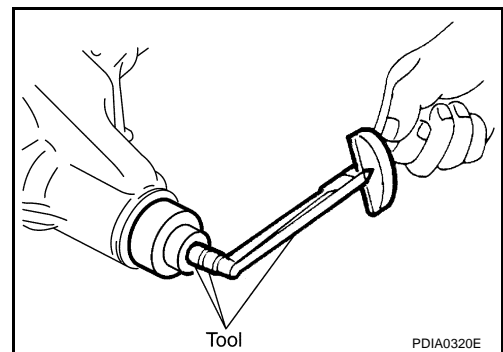


5. Measure the turning torque, using Tool.

**Tool number : ST3127S000 (J-25765-A)**

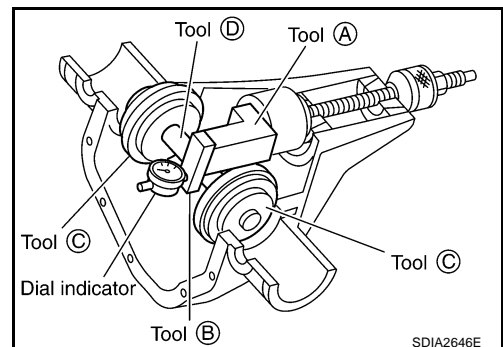
**Turning torque specification:**

**1.2 - 2.8 N-m (0.13 - 0.28 kg-m, 11 - 24 in-lb)**



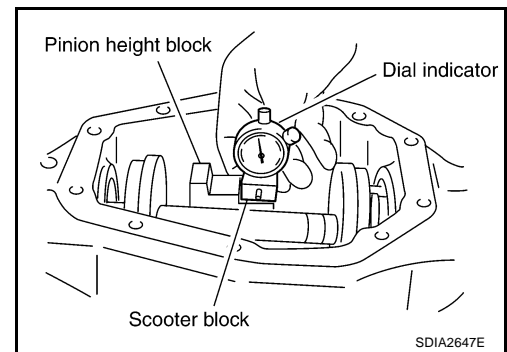
6. Tighten side bearing caps to the specified torque installing Tools as shown.

<b>Tool number</b>	<b>A:</b> —	<b>(6739)</b>
	<b>B:</b> —	<b>(D-115-2)</b>
	<b>C:</b> —	<b>(8541A-1)</b>
	<b>D:</b> —	<b>(D-115-3)</b>



## REAR FINAL DRIVE ASSEMBLY [M226 WITHOUT ELECTRONIC LOCKING DIFFEREN-

7. Put scooter block on pinion height block. Make sure that dial indicator is level adjusting pressure with a hand. Dial indicator indicates "0".
8. Slide dial indicator along arbor. Record the maximum.
9. Adjust drive pinion height adjusting washer so that the maximum will be "0".



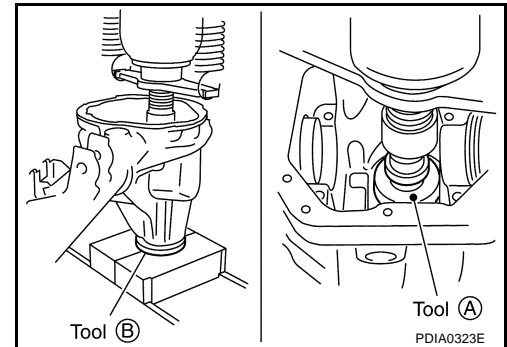
### ASSEMBLY

#### Drive Pinion Assembly

1. Press a drive pinion rear bearing outer race into axle housing using Tools.

**Tool number**     **A: ST01500001 ( — )**  
                               **B: ST30022000 ( — )**

**CAUTION:**  
**Do not reuse drive pinion rear bearing.**

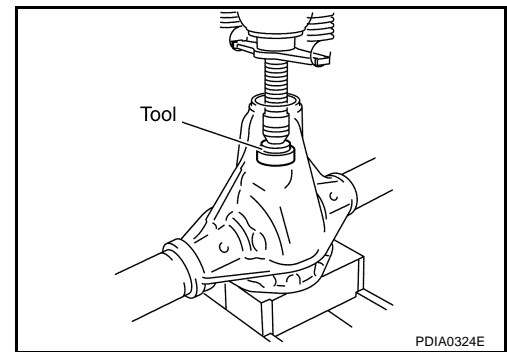


2. Press drive pinion front bearing outer race into axle housing using Tool.

**Tool number**     **: ST33022000 ( — )**

**CAUTION:**  
**Do not reuse drive pinion front bearing.**

3. Select drive pinion height adjusting washer. Refer to [RFD-60](#), "[Drive Pinion Height Adjusting Washer](#)".

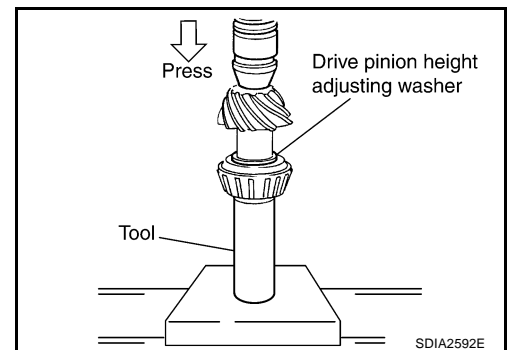


4. Press a drive pinion rear bearing inner race and drive pinion height adjusting washer to drive pinion using Tool.

**Tool number**     **: — (C - 4040)**

**CAUTION:**  
**Do not reuse drive pinion rear bearing.**

5. Apply gear oil to drive pinion rear bearing and drive pinion front bearing.
6. Install drive pinion front bearing inner race in axle housing.
7. Install front bearing thrust washer to axle housing.



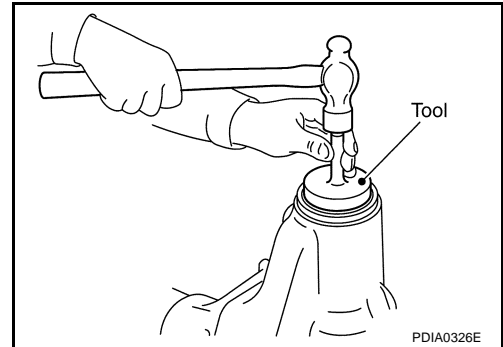
## REAR FINAL DRIVE ASSEMBLY [M226 WITHOUT ELECTRONIC LOCKING DIFFEREN-

8. Apply multi-purpose grease to front oil seal lip. Install front oil seal into axle housing using Tool.

**Tool number** : ST15310000 ( — )

**CAUTION:**

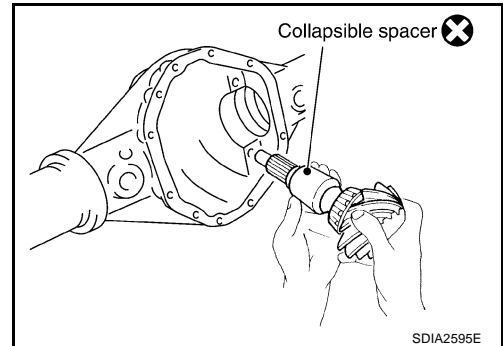
- Do not reuse oil seal.
- When installing, do not incline oil seal.



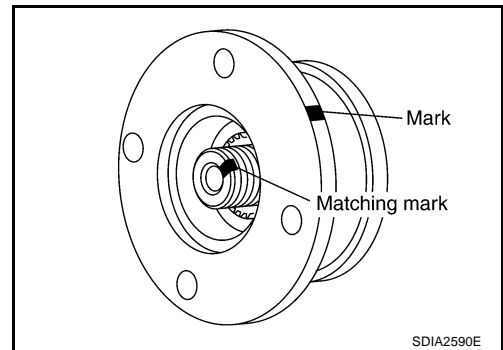
9. Install collapsible spacer to drive pinion. And then install drive pinion assembly in axle housing.

**CAUTION:**

- Do not reuse collapsible spacer.
- Be careful not to damage front oil seal.



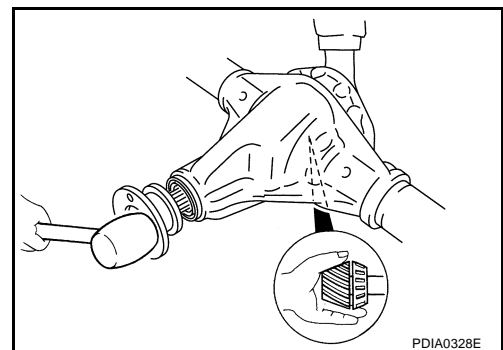
10. Align the matching mark of drive pinion with the mark of companion flange.



11. Install companion flange onto drive pinion. Tap companion flange until fully seated using suitable tool.

**CAUTION:**

**Be careful not to damage companion flange and front oil seal.**



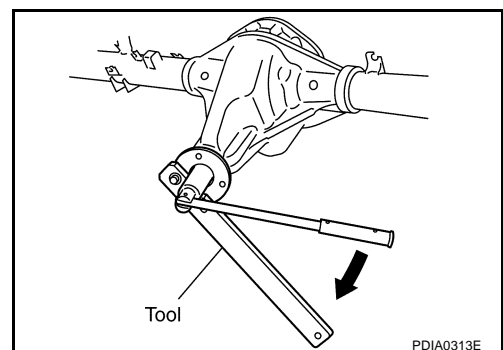
12. Install drive pinion nut and drive pinion nut washer. Tighten the drive pinion nut using Tool until total preload is within specification.

- The threaded portion of drive pinion and drive pinion nut should be free from oil or grease.

**Tool number** : KV40104000 ( — )

**CAUTION:**

**Do not reuse drive pinion nut and drive pinion nut washer.**



A  
B  
C  
RFD

E  
F  
G  
H  
I  
J  
K  
L  
M

## REAR FINAL DRIVE ASSEMBLY [M226 WITHOUT ELECTRONIC LOCKING DIFFEREN-

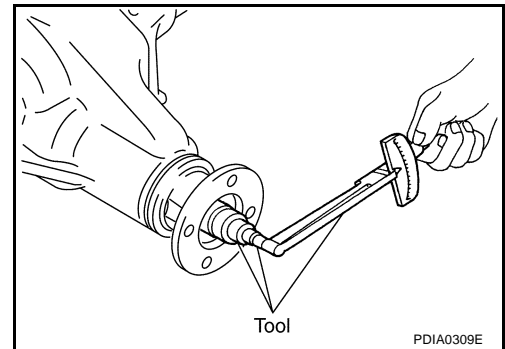
13. Tighten drive pinion nut by very small degrees until the specified preload is achieved. When checking the preload, turn drive pinion in both directions several times to set the bearing rollers, using Tool.

**Tool number : ST3127S000 (J-25765-A)**

**Pinion bearing preload:**

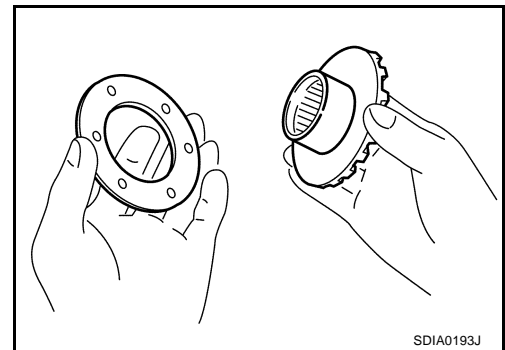
**1.7 - 3.1 N·m (0.18 - 0.31 kg·m, 15 - 27 in·lb)**

- a. This procedure will have to be repeated if:
- Maximum preload is achieved before the minimum drive pinion nut torque is reached.
  - Minimum preload is not achieved before maximum drive pinion nut torque is reached.

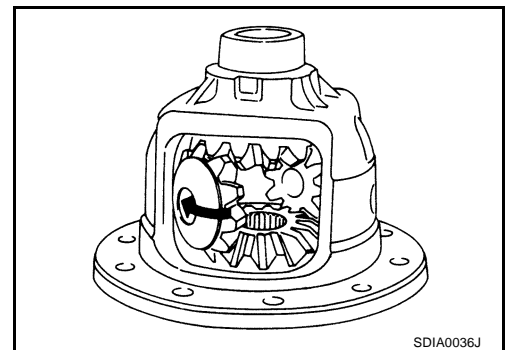


### Differential Assembly

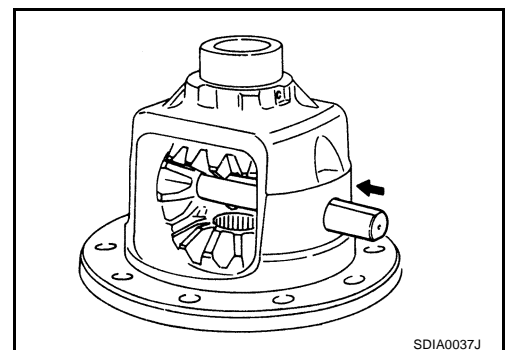
1. Assemble side gear thrust washers with the same thickness as the ones installed prior to disassembly or reinstall the old ones on side gears.
2. Assemble side gear and side gear thrust washer into differential case.



3. Align 2 pinion mate gears in diagonally opposite positions, then rotate and assemble them into differential case after assembling pinion mate thrust washer to pinion mate gear.



4. Align lock pin holes on differential case and shaft, and assemble pinion mate shaft.
5. Measure side gear end play. If necessary, select the appropriate side gear thrust washers. Refer to [RFD-59, "Side Gear Thrust Washer"](#).





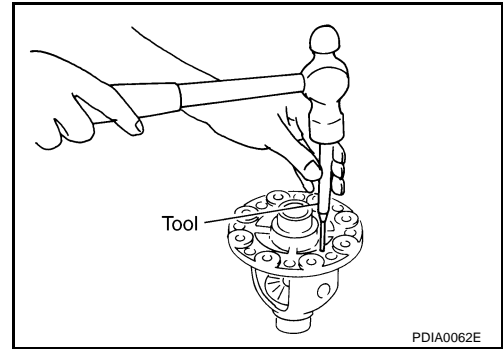
## REAR FINAL DRIVE ASSEMBLY [M226 WITHOUT ELECTRONIC LOCKING DIFFEREN-

6. Drive a lock pin into pinion mate shaft, using Tool.

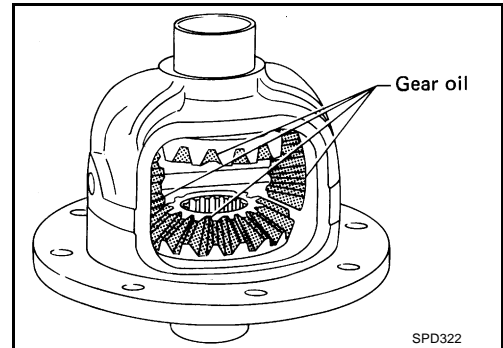
**Tool number** : ST23550000 ( — )

**CAUTION:**

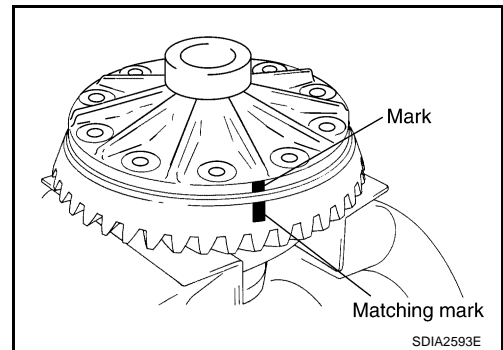
**Do not reuse lock pin.**



7. Apply gear oil to gear tooth surfaces and thrust surfaces and check to see they turn properly.



8. Align the matching mark of differential case with the mark of drive gear, then install drive gear.

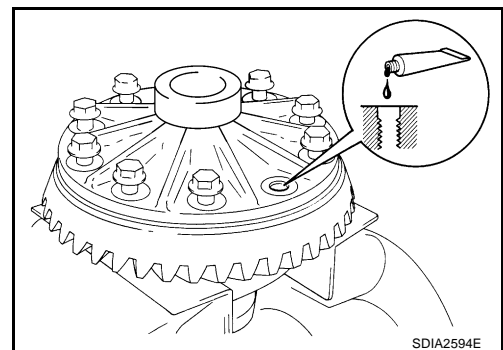


9. Apply thread locking sealant into the thread hole of drive gear.

- Use Genuine Medium Strength Thread Locking Sealant or equivalent. Refer to [GI-46. "Recommended Chemical Products and Sealants"](#) .

**CAUTION:**

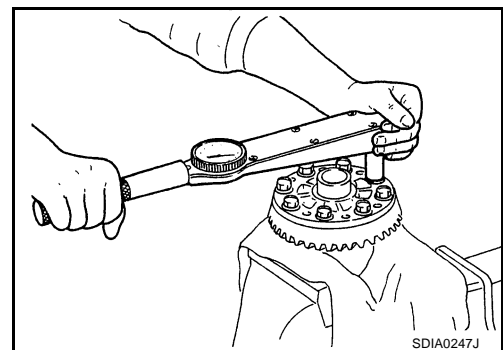
**Make sure the drive gear back and threaded holes are clean.**



10. Install the drive gear bolts, and then tighten to the specified torque. Refer to [RFD-50. "COMPONENTS"](#) .

**CAUTION:**

- Do not reuse the bolts.
- Tighten bolts in a crisscross fashion.

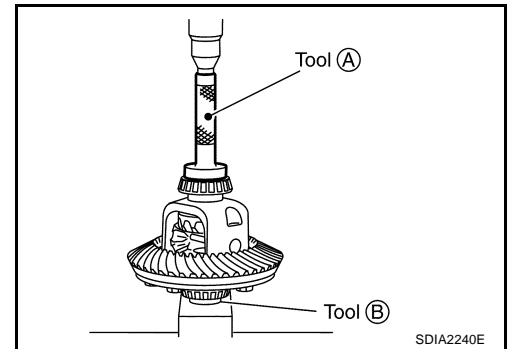


## REAR FINAL DRIVE ASSEMBLY [M226 WITHOUT ELECTRONIC LOCKING DIFFEREN-

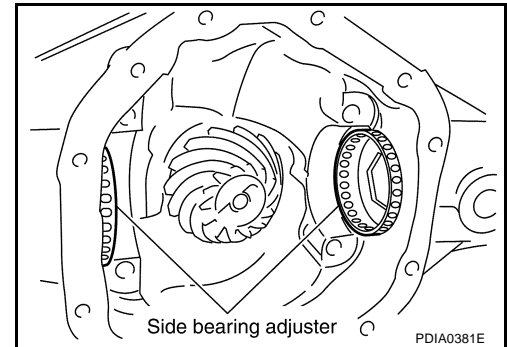
11. Press side bearing inner races to differential case using Tools.

**Tool number**    **A: KV38100300 (J-25523)**  
                          **B: ST33081000 ( — )**

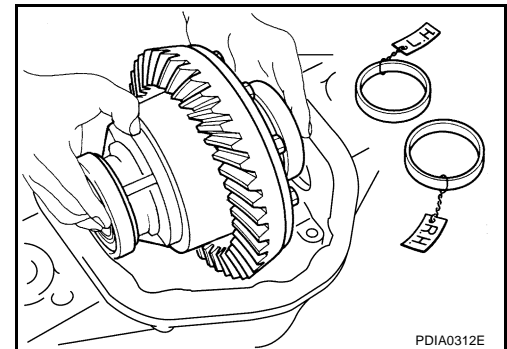
**CAUTION:**  
**Do not reuse side bearing.**



12. Install side bearing adjusters into axle housing.

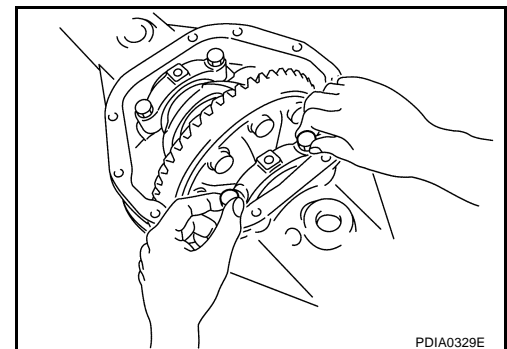


13. Apply gear oil to side bearings. Install differential case assembly with side bearing outer races into axle housing.



14. Align paint matching mark on side bearing caps with that on axle housing and install side bearing caps on axle housing.

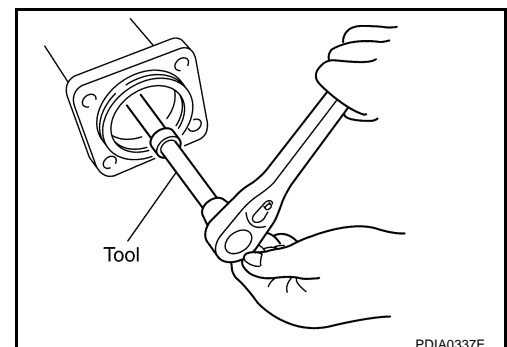
**CAUTION:**  
**Do not tighten at this point. This allows further tightening of side bearing adjusters.**



15. Tighten each side bearing adjuster using Tool.

**Tool number**    :    —    **(C - 4164)**

16. Adjust backlash of drive gear and drive pinion. Refer to [RFD-52, "Backlash"](#) .
17. Check total preload. Refer to [RFD-51, "Total Preload Torque"](#) .
18. Check tooth contact. Refer to [RFD-51, "Tooth Contact"](#) .



## REAR FINAL DRIVE ASSEMBLY [M226 WITHOUT ELECTRONIC LOCKING DIFFEREN-

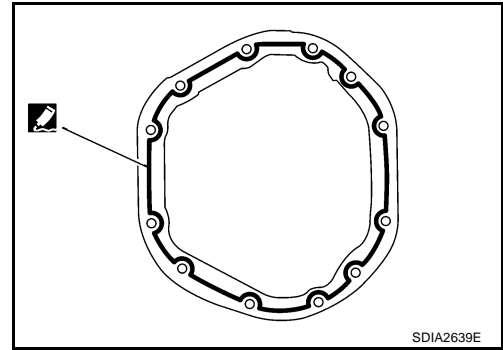
19. Apply sealant to mating surface of carrier cover.

- Use Genuine Silicone RTV or equivalent. Refer to [GI-46, "Recommended Chemical Products and Sealants"](#).

**CAUTION:**

Remove old sealant adhering to mating surfaces. Also remove any moisture, oil, or foreign material adhering to application and mating surfaces.

20. Install carrier cover on axle housing and tighten carrier cover bolts with the specified torque. Refer to [RFD-50, "COMPONENTS"](#).



A

B

C

RFD

E

F

G

H

I

J

K

L

M

**SERVICE DATA AND SPECIFICATIONS (SDS)  
[M226 WITHOUT ELECTRONIC LOCKING DIFFEREN-**

**SERVICE DATA AND SPECIFICATIONS (SDS)**

PF0:00030

**General Specifications**

EDS002ZW

Applied model	VQ40DE
	6M/T
Final drive model	M226
Gear ratio	3.538
Number of pinion gears	2
Number of teeth (Drive gear / drive pinion)	46/13
Oil capacity (Approx.)	ℓ (US pt, Imp pt)
	2.01 (4-1/4, 3-1/2)
Drive pinion adjustment spacer type	Collapsible

**Inspection and Adjustment  
DIFFERENTIAL SIDE GEAR CLEARANCE**

EDS002ZX

Unit: mm (in)

Item	Standard
Side gear backlash (Clearance between side gear and differential case)	0.305 (0.0120) or less. (Each gear should rotate smoothly without excessive resistance during differential motion.)

**PRELOAD TORQUE**

Unit: N·m (kg·m, in·lb)

Item	Specification
Total preload (Drive pinion torque to rotate plus)	2.49 - 4.57 (0.26 - 0.46, 22 - 40)
Drive pinion bearing preload	1.7 - 3.1 (0.18 - 0.31, 15 - 27)

**BACKLASH**

Unit: mm (in)

Item	Standard
Drive gear to drive pinion gear	0.08 - 0.13 (0.0031 - 0.0051)

**COMPANION FLANGE RUNOUT**

Unit: mm (in)

Item	Runout limit
Companion flange face	0.10 (0.0039) or less
Inner side of companion flange	0.13 (0.0051) or less

**SERVICE DATA AND SPECIFICATIONS (SDS)**  
**[M226 WITHOUT ELECTRONIC LOCKING DIFFEREN-**

**SELECTIVE PARTS**

**Side Gear Thrust Washer**

Unit: mm (in)

Thickness	Package part number*
0.76 (0.030)	38424 8S101
0.79 (0.031)	
0.81 (0.032)	
0.84 (0.033)	
0.86 (0.034)	
0.89 (0.035)	38424 8S102
0.91 (0.036)	
0.94 (0.037)	
0.97 (0.038)	
0.99 (0.039)	

\*Always check with the parts department for the latest parts information.

**Drive Pinion Height Adjusting Washer**

Unit: mm (in)

Thickness	Package part number*
0.076 (0.030)	38151 8S101
0.079 (0.031)	
0.081 (0.032)	
0.084 (0.033)	
0.086 (0.034)	
0.089 (0.035)	38151 8S102
0.091 (0.036)	
0.094 (0.037)	
0.097 (0.038)	
0.099 (0.039)	
0.102 (0.040)	38151 8S103
0.104 (0.041)	
0.107 (0.042)	
0.109 (0.043)	
0.112 (0.044)	
0.114 (0.045)	38151 8S104
0.117 (0.046)	
0.119 (0.047)	
0.122 (0.048)	
0.124 (0.049)	
0.127 (0.050)	38151 8S105
0.130 (0.051)	
0.132 (0.052)	
0.135 (0.053)	
0.137 (0.054)	

\*Always check with the Parts Department for the latest parts information.

# PRECAUTIONS

## [M226 WITH ELECTRONIC LOCKING DIFFERENTIAL]

### PRECAUTIONS

PF0:00001

### Precautions for Supplemental Restraint System (SRS) "AIR BAG" and "SEAT BELT PRE-TENSIONER"

EDS002ZY

The Supplemental Restraint System such as "AIR BAG" and "SEAT BELT PRE-TENSIONER", used along with a front seat belt, helps to reduce the risk or severity of injury to the driver and front passenger for certain types of collision. This system includes seat belt switch inputs and dual stage front air bag modules. The SRS system uses the seat belt switches to determine the front air bag deployment, and may only deploy one front air bag, depending on the severity of a collision and whether the front occupants are belted or unbelted. Information necessary to service the system safely is included in the SRS and SB section of this Service Manual.

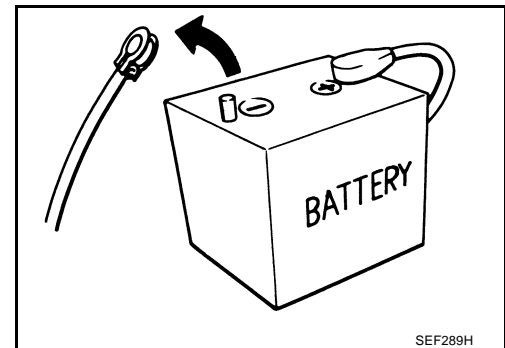
#### WARNING:

- To avoid rendering the SRS inoperative, which could increase the risk of personal injury or death in the event of a collision which would result in air bag inflation, all maintenance must be performed by an authorized NISSAN/INFINITI dealer.
- Improper maintenance, including incorrect removal and installation of the SRS, can lead to personal injury caused by unintentional activation of the system. For removal of Spiral Cable and Air Bag Module, see the SRS section.
- Do not use electrical test equipment on any circuit related to the SRS unless instructed to in this Service Manual. SRS wiring harnesses can be identified by yellow and/or orange harnesses or harness connectors.

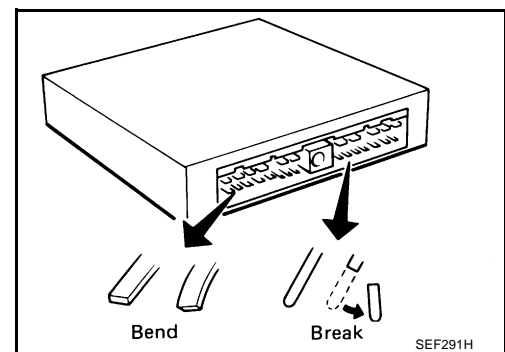
### Precautions

EDS002ZZ

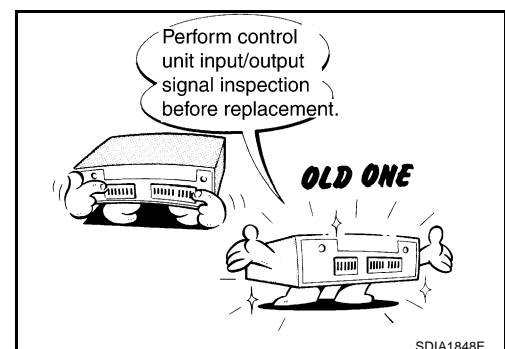
- Before connecting or disconnecting differential lock control unit harness connector, turn ignition switch "OFF" and disconnect the battery cable from the negative terminal. Because battery voltage is applied to differential lock control unit even if ignition switch is turned "OFF".



- When connecting or disconnecting pin connectors into or from differential lock control unit, take care not to damage pin terminals (bend or break). When connecting pin connectors make sure that there are not any bends or breaks on differential lock control unit pin terminal.



- Before replacing differential lock control unit, perform differential lock control unit input/output signal inspection and make sure whether differential lock control unit functions properly or not. Refer to [RFD-85, "Differential Lock Control Unit Input/Output Signal Reference Values"](#).



# PRECAUTIONS

## [M226 WITH ELECTRONIC LOCKING DIFFERENTIAL]

### Service Notice or Precaution

EDS00300

- Check for the correct installation status prior to removal or disassembly. If matching marks are required, be certain they do not interfere with the function of the parts when applied.
- Overhaul should be done in a clean work area, it is preferable to work in dust proof area.
- Before disassembly completely remove sand and mud from the exterior of the unit, preventing them from entering into the unit during disassembly or assembly.
- Check appearance of the disassembled parts for damage, deformation, and unusual wear. Replace them with a new ones if necessary.
- Gaskets, seals and O-rings should be replaced any time when the unit is disassembled.
- In principle, tighten bolts or nuts gradually in several steps working diagonally from inside to outside. If tightening sequence is specified, observe it.
- Clean and flush the parts sufficiently and blow-dry them.
- Be careful not to damage sliding surfaces and mating surfaces.
- When applying sealant, remove the old sealant from the mounting surface; then remove any moisture, oil, and foreign materials from the application and mounting surfaces.
- Always use shop paper for cleaning the inside of components.
- Avoid using cotton gloves or shop rags to prevent entering of lint.
- During assembly, observe the specified tightening torque, and apply new differential gear oil, petroleum jelly, or multi-purpose grease as specified for each vehicle, if necessary.

A

B

C

RFD

E

F

G

### Wiring Diagrams and Trouble Diagnosis

EDS00301

When reading wiring diagrams, refer to the following:

- [GI-16, "How to Read Wiring Diagrams"](#).
- [PG-4, "POWER SUPPLY ROUTING CIRCUIT"](#).

When performing trouble diagnosis, refer to the following:

- [GI-11, "How to Follow Trouble Diagnoses"](#).
- [GI-28, "How to Perform Efficient Diagnosis for an Electrical Incident"](#).

H

I

J

K

L

M

# PREPARATION [M226 WITH ELECTRONIC LOCKING DIFFERENTIAL]

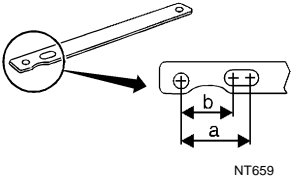
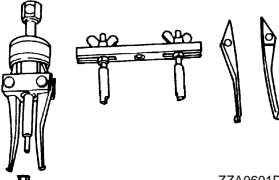
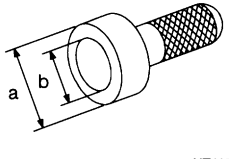
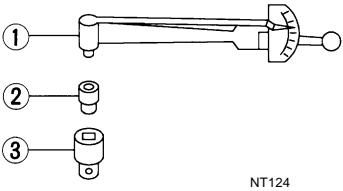
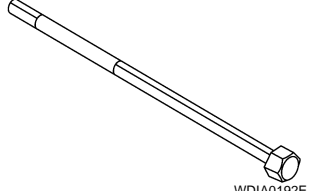
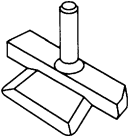
PFP:00002

EDS00302

## PREPARATION

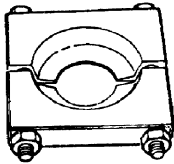
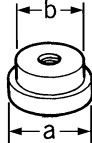
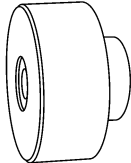
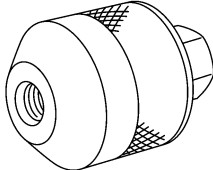

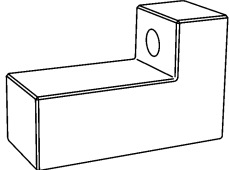
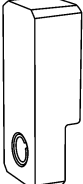
### Special Service Tools

The actual shapes of Kent-Moore tools may differ from those of special service tools illustrated here.

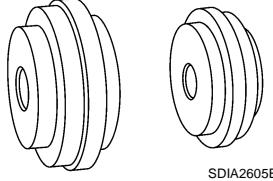
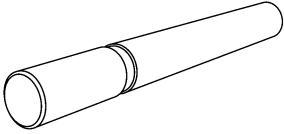
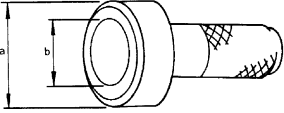
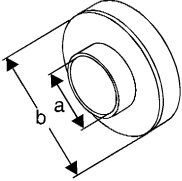
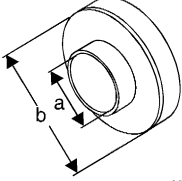
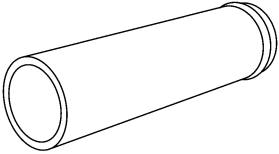
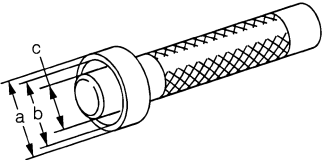
Tool number (Kent-Moore No.) Tool name	Description
KV40104000 ( — ) Flange wrench <div style="text-align: center;">  <p style="text-align: center;">NT659</p> </div>	Removing and installing drive pinion nut <b>a: 85 mm (3.35 in) dia.</b> <b>b: 65 mm (2.56 in) dia.</b>
ST33290001 (J-34286) Puller <div style="text-align: center;">  <p style="text-align: center;">ZZA0601D</p> </div>	Removing front oil seal
ST15310000 ( — ) Drift <div style="text-align: center;">  <p style="text-align: center;">NT115</p> </div>	Installing front oil seal <b>a: 96mm (3.77 in) dia.</b> <b>b: 84 mm (3.30 in) dia.</b>
ST3127S000 (J-25765-A) Preload gauge set <ol style="list-style-type: none"> <li>1. GG91030000 (J-25765) Torque wrench</li> <li>2. HT62940000 (1/2") ( — ) Socket adapter</li> <li>3. HT62900000 (3/8") ( — ) Socket adapter</li> </ol> <div style="text-align: center;">  <p style="text-align: center;">NT124</p> </div>	Inspecting drive pinion bearing preload and total preload
— (C-4164) Adjuster tool <div style="text-align: center;">  <p style="text-align: center;">WDIA0192E</p> </div>	Removing and installing side bearing ad- juster
KV10111100 (J-37228) Seal cutter <div style="text-align: center;">  <p style="text-align: center;">S-NT046</p> </div>	Removing carrier cover



# PREPARATION [M226 WITH ELECTRONIC LOCKING DIFFERENTIAL]

Tool number (Kent-Moore No.) Tool name	Description	
ST30021000 (J-22912-01) Puller <div style="text-align: center;">  <p>ZZA0700D</p> </div>	Removing drive pinion rear bearing inner race	A B C
ST33081000 ( — ) Adapter <div style="text-align: center;">  <p>ZZA1000D</p> </div>	Removing and installing side bearing inner race <b>a: 43 mm (1.69 in) dia.</b> <b>b: 33.5 mm (1.32 in) dia.</b>	<b>RFD</b> E
— (8144) Pinion block <div style="text-align: center;">  <p>SDIA2599E</p> </div>	Adjusting pinion gear height	F G H
— (6740) Cone <div style="text-align: center;">  <p>SDIA2601E</p> </div>	Adjusting pinion gear height	I J
— (6741) Screw <div style="text-align: center;">  <p>SDIA2602E</p> </div>	Adjusting pinion gear height	K L
— (6739) Pinion height lock <div style="text-align: center;">  <p>SDIA2603E</p> </div>	Adjusting pinion gear height	M
— (D-115-2) Scooter block <div style="text-align: center;">  <p>SDIA2604E</p> </div>	Adjusting pinion gear height	

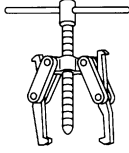
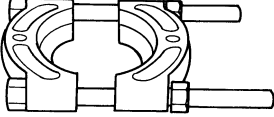
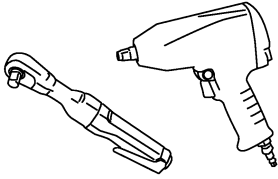
# PREPARATION [M226 WITH ELECTRONIC LOCKING DIFFERENTIAL]

Tool number (Kent-Moore No.) Tool name	Description
<p>— (8541A-1) Arbor disc</p>  <p style="text-align: right; margin-right: 50px;">SDIA2605E</p>	Adjusting pinion gear height
<p>— (D-115-3) Arbor</p>  <p style="text-align: right; margin-right: 50px;">SDIA2606E</p>	Adjusting pinion gear height
<p>ST01500001 ( — ) Drift</p>  <p style="text-align: right; margin-right: 50px;">ZZA0811D</p>	Installing drive pinion rear bearing outer race <b>a: 89mm (3.50 in) dia.</b> <b>b: 79 mm (3.11 in) dia.</b>
<p>ST30022000 ( — ) Drift</p>  <p style="text-align: right; margin-right: 50px;">NT660</p>	Installing drive pinion rear bearing outer race <b>a: 46 mm (1.81 in) dia.</b> <b>b: 110 mm (4.33 in) dia.</b>
<p>ST33022000 ( — ) Drift</p>  <p style="text-align: right; margin-right: 50px;">NT660</p>	Installing drive pinion front bearing outer race <b>a: 49 mm (1.92 in) dia.</b> <b>b: 67 mm (2.63 in) dia.</b>
<p>— (C-4040) Installer</p>  <p style="text-align: right; margin-right: 50px;">SDIA2607E</p>	Installing drive pinion rear bearing inner race
<p>KV38100300 (J-25523) Drift</p>  <p style="text-align: right; margin-right: 50px;">ZZA1046D</p>	Installing side bearing inner race <b>a: 54 mm (2.13 in) dia.</b> <b>b: 46 mm (1.81 in) dia.</b> <b>c: 32mm (1.26 in) dia.</b>

# PREPARATION [M226 WITH ELECTRONIC LOCKING DIFFERENTIAL]

## Commercial Service Tools

EDS00303

Tool name	Description
Puller   NT077	Removing companion flange and side bearing inner race
Puller   ZZB0823D	Removing side bearing inner race
Power tool   PBIC0190E	Loosening bolts and nuts

A  
B  
C  
RFD  
E  
F  
G  
H  
I  
J  
K  
L  
M



# DIFFERENTIAL GEAR OIL

## [M226 WITH ELECTRONIC LOCKING DIFFERENTIAL]

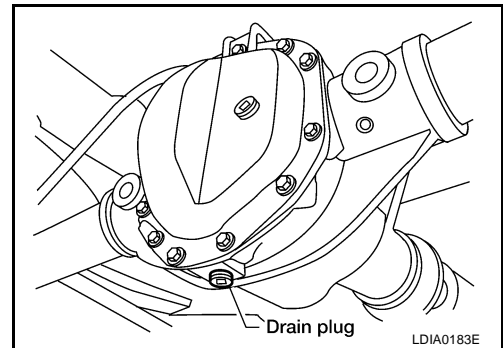
PPF:KLD30

EDS00305

### DIFFERENTIAL GEAR OIL

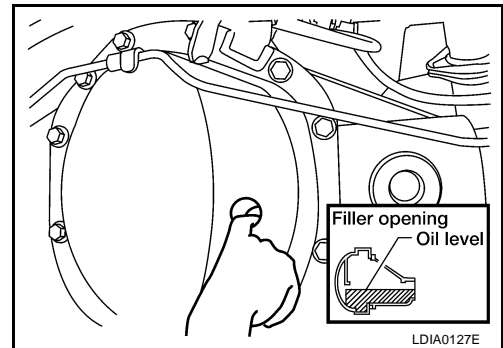
#### Changing Differential Gear Oil DRAINING

1. Stop engine.
2. Remove drain plug and drain gear oil.
3. Apply sealant to drain plug. Install drain plug to final drive assembly and tighten to the specified torque. Refer to [RFD-50, "COMPONENTS"](#).
  - Use Genuine Silicone RTV or equivalent. Refer to [GI-46, "Recommended Chemical Products and Sealants"](#).



#### FILLING

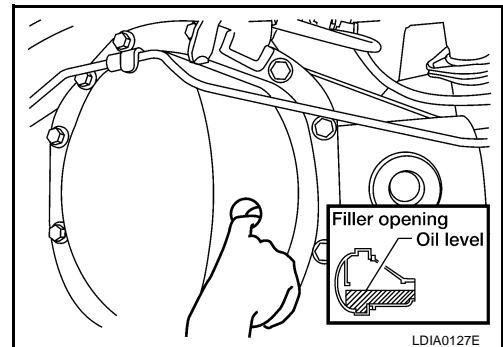
1. Remove filler plug. Fill with new gear oil until oil level reaches the specified limit near filler plug hole.
  - Oil grade and Viscosity:**  
Refer to [MA-11, "Fluids and Lubricants"](#).
  - Oil capacity:**  
Refer to [MA-11, "Fluids and Lubricants"](#).
2. After refilling oil, check oil level. Apply sealant to filler plug. Install filler plug to final drive assembly and tighten to the specified torque. Refer to [RFD-50, "COMPONENTS"](#).
  - Use Genuine Silicone RTV or equivalent. Refer to [GI-46, "Recommended Chemical Products and Sealants"](#).



#### Checking Differential Gear Oil OIL LEAKAGE AND OIL LEVEL

EDS00306

1. Make sure that gear oil is not leaking from final drive assembly or around it.
2. Check oil level from filler plug hole as shown.
  - CAUTION:**  
Do not start engine while checking oil level.
3. Apply sealant to filler plug. Install filler plug to final drive assembly and tighten to the specified torque. Refer to [RFD-50, "COMPONENTS"](#).
  - Use Genuine Silicone RTV or equivalent. Refer to [GI-46, "Recommended Chemical Products and Sealants"](#).



# DIFFERENTIAL LOCK SYSTEM

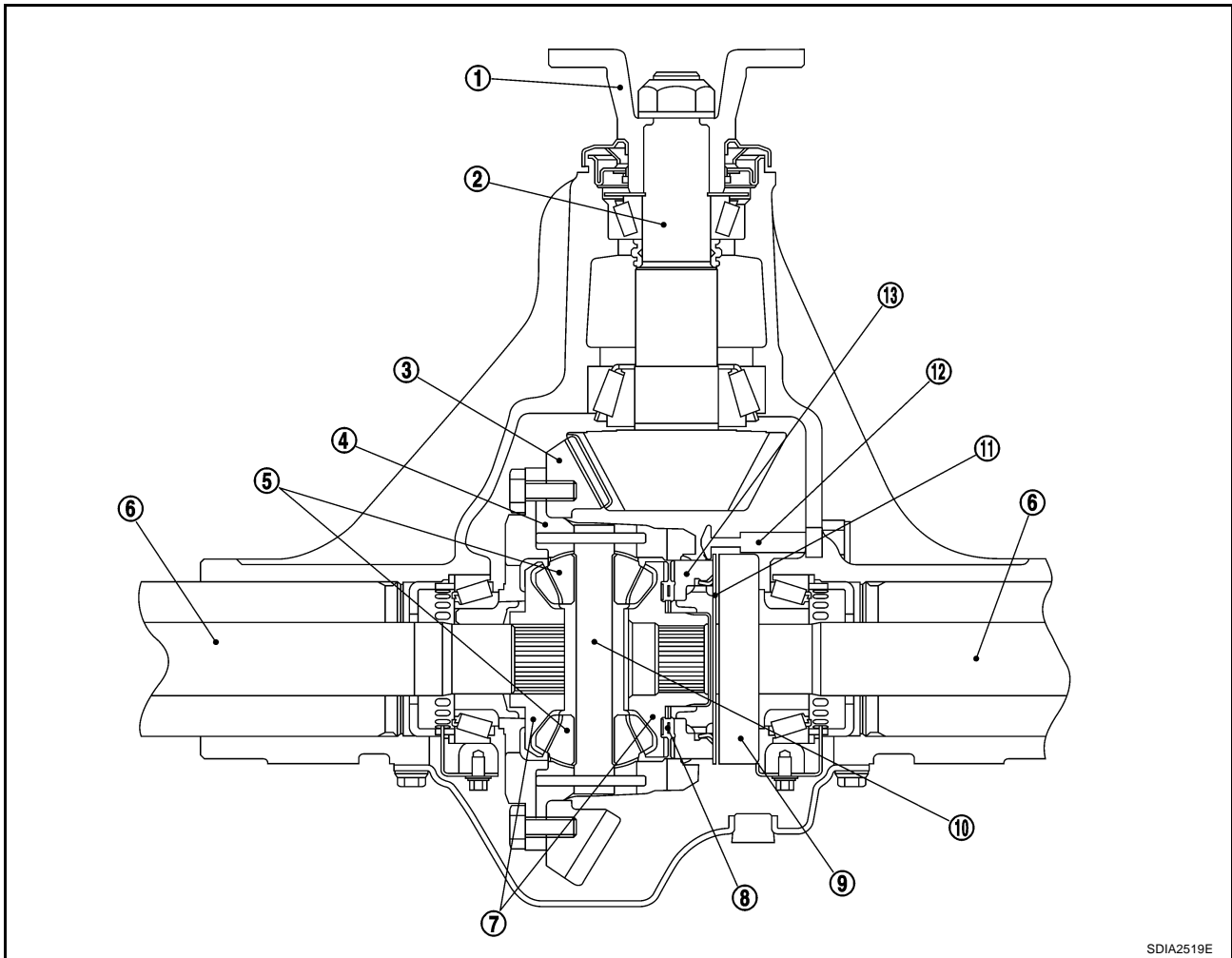
## [M226 WITH ELECTRONIC LOCKING DIFFERENTIAL]

### DIFFERENTIAL LOCK SYSTEM

PFP:28496

### Cross-sectional View

EDS00307



SDIA2519E

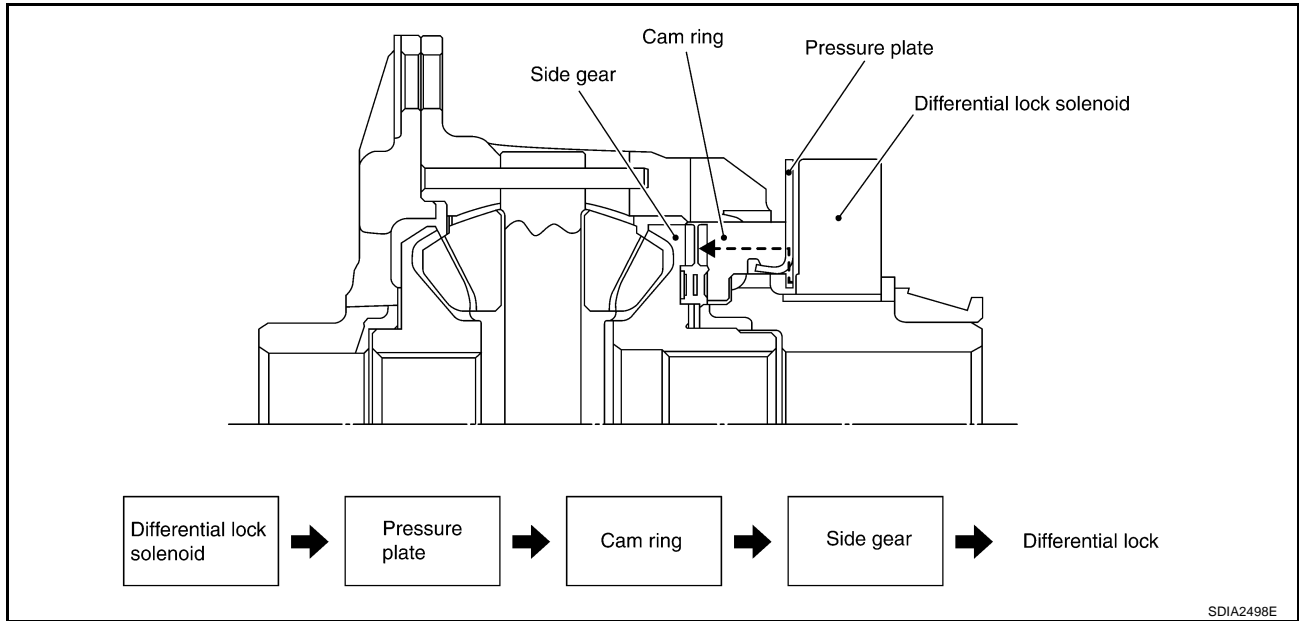
- |                       |                     |                                       |
|-----------------------|---------------------|---------------------------------------|
| 1. Companion flange   | 2. Drive pinion     | 3. Drive gear                         |
| 4. Differential case  | 5. Pinion mate gear | 6. Axle shaft                         |
| 7. Side gear          | 8. Spring           | 9. Differential lock solenoid         |
| 10. Pinion mate shaft | 11. Pressure plate  | 12. Differential lock position switch |
| 13. Cam ring          |                     |                                       |

# DIFFERENTIAL LOCK SYSTEM

## [M226 WITH ELECTRONIC LOCKING DIFFERENTIAL]

### Differential Lock Operation

EDS00308



1. Differential lock solenoid operates pressure plate.
2. Pressure plate presses cam ring.
3. Engage cam ring and side gear, and then differential is locked.

### System Description

EDS00309

#### DIFFERENTIAL LOCK SOLENOID

It is operated by signal from differential lock control unit, and it operates pressure plate so as to switch lock/unlock.

#### DIFFERENTIAL LOCK POSITION SWITCH

It detects that differential is in lock or unlock by pressure plate position, and sends it to differential lock control unit.

#### DIFFERENTIAL LOCK CONTROL UNIT

- Differential lock control unit controls differential lock solenoid by input signals of each sensor and each switch.
- As a fail-safe function, differential lock disengages, if malfunction is detected in differential lock system.
- Self-diagnosis can be done with CONSULT-II.

#### DIFFERENTIAL LOCK MODE SWITCH

Able to select differential lock and unlock.

#### DIFF LOCK INDICATOR LAMP

The following is the indications of indicator lamp.

Condition	DIFF LOCK indicator lamp
Differential lock/unlock	ON/OFF
Differential lock standby condition	Flashing: 1 time/2 seconds
Differential lock system malfunction	OFF (Even if differential lock mode switch is turned ON)
Lamp check	Turns ON when ignition switch is turned ON. Turns OFF after engine start.

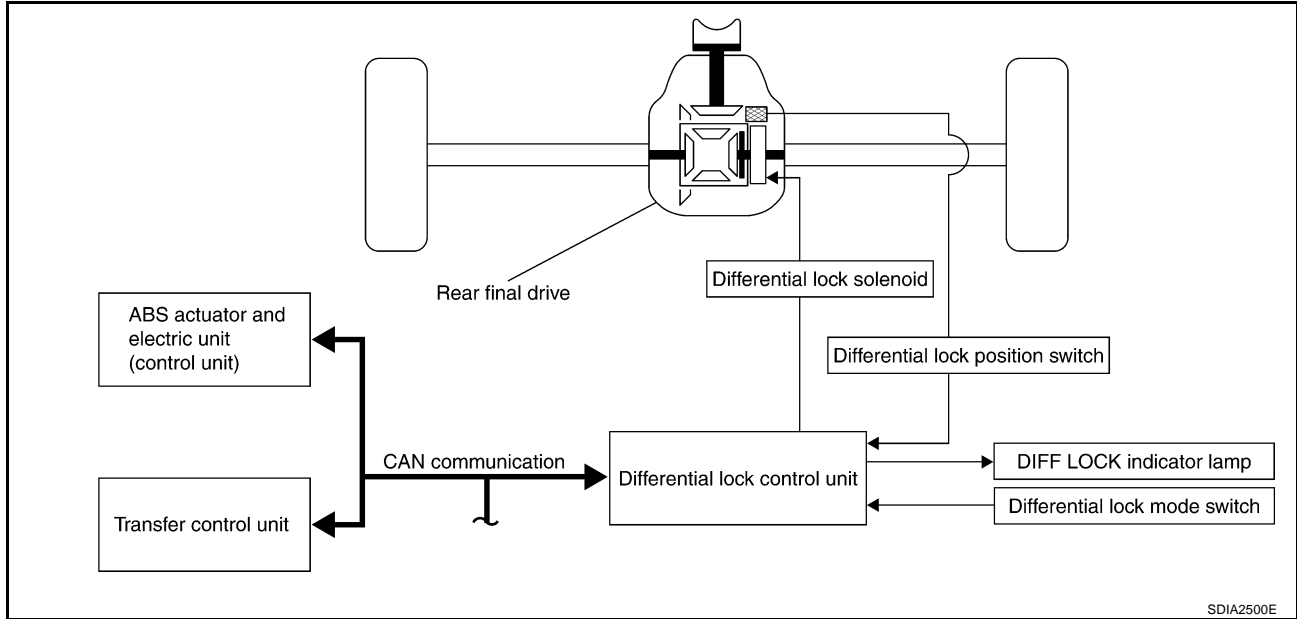
#### NOTE:

Differential lock standby condition is the condition that differential lock mode switch is ON and differential is unlocked.

# DIFFERENTIAL LOCK SYSTEM [M226 WITH ELECTRONIC LOCKING DIFFERENTIAL]

## System Diagram

EDS0030A



## COMPONENTS FUNCTION DESCRIPTION

Component parts	Function
Differential lock control unit	<ul style="list-style-type: none"> <li>Controls differential lock solenoid and switches differential lock/unlock.</li> <li>As a fail-safe function, differential lock disengages, if malfunction is detected in differential lock system.</li> </ul>
Differential lock solenoid	Controls pressure plate by current from differential lock control unit.
Differential lock position switch	Detects that differential is lock or unlock condition.
Differential lock mode switch	Able to select differential lock or unlock.
DIFF LOCK indicator lamp	Illuminates that differential is in lock or lock standby condition.
ABS actuator and electric unit (control unit)	Transmits the following signals via CAN communication to differential lock control unit. <ul style="list-style-type: none"> <li>Vehicle speed signal</li> <li>VDC operation signal</li> </ul>
Transfer control unit	Transmits the following signal via CAN communication to differential lock control unit. <ul style="list-style-type: none"> <li>4WD shift switch signal</li> </ul>

## CAN Communication SYSTEM DESCRIPTION

EDS0030B

Refer to [LAN-21, "CAN Communication Unit"](#) .



# TROUBLE DIAGNOSIS

## [M226 WITH ELECTRONIC LOCKING DIFFERENTIAL]

PFP:00004

### TROUBLE DIAGNOSIS

#### Fail-safe Function

EDS0030C

If any malfunction occurs in the differential lock system, and the control unit detects the malfunction, the DIFF LOCK indicator lamp on the combination meter does not turn ON to indicate system malfunction. The differential lock control unit turns the differential lock solenoid OFF.

#### How to Perform Trouble Diagnosis

EDS0030D

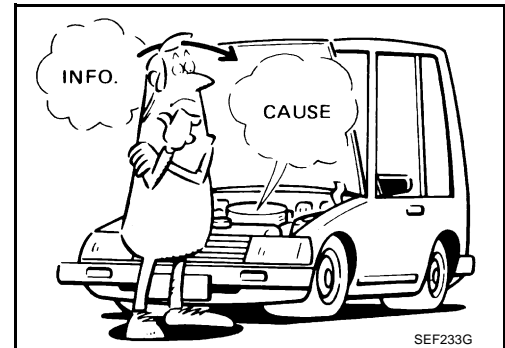
##### BASIC CONCEPT

- To perform trouble diagnosis, it is most important to have understanding about the vehicle systems (control and mechanism) thoroughly.
- It is also important to clarify customer complaints before inspection.

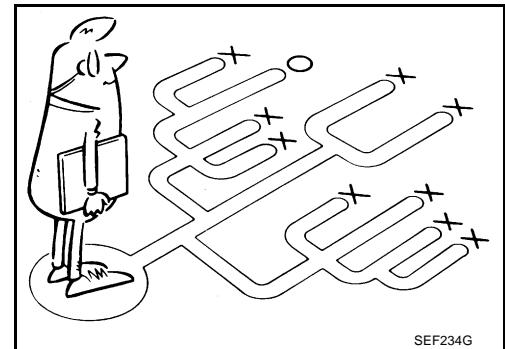
First of all, reproduce symptoms, and understand them fully. Ask customer about his/her complaints carefully. In some cases, it will be necessary to check symptoms by driving vehicle with customer.

##### **CAUTION:**

**Customers are not professional. It is dangerous to make an easy guess like "maybe the customer means that...," or "maybe the customer mentions this symptom".**



- It is essential to check symptoms right from the beginning in order to repair malfunctions completely. For intermittent malfunctions, reproduce symptoms based on interview with customer and past examples. Do not perform inspection on ad hoc basis. Most intermittent malfunctions are caused by poor contacts. In this case, it will be effective to shake suspected harness or connector by hand. When repairing without any symptom diagnosis, you cannot judge if malfunctions have actually been eliminated.
- After completing diagnosis, always erase diagnostic memory. Refer to [RFD-89, "How to Erase Self-diagnostic Results"](#).
- For intermittent malfunctions, move harness or harness connector by hand. Then check for poor contact or reproduced open circuit.



A

B

C

RFD

E

F

G

H

I

J

K

L

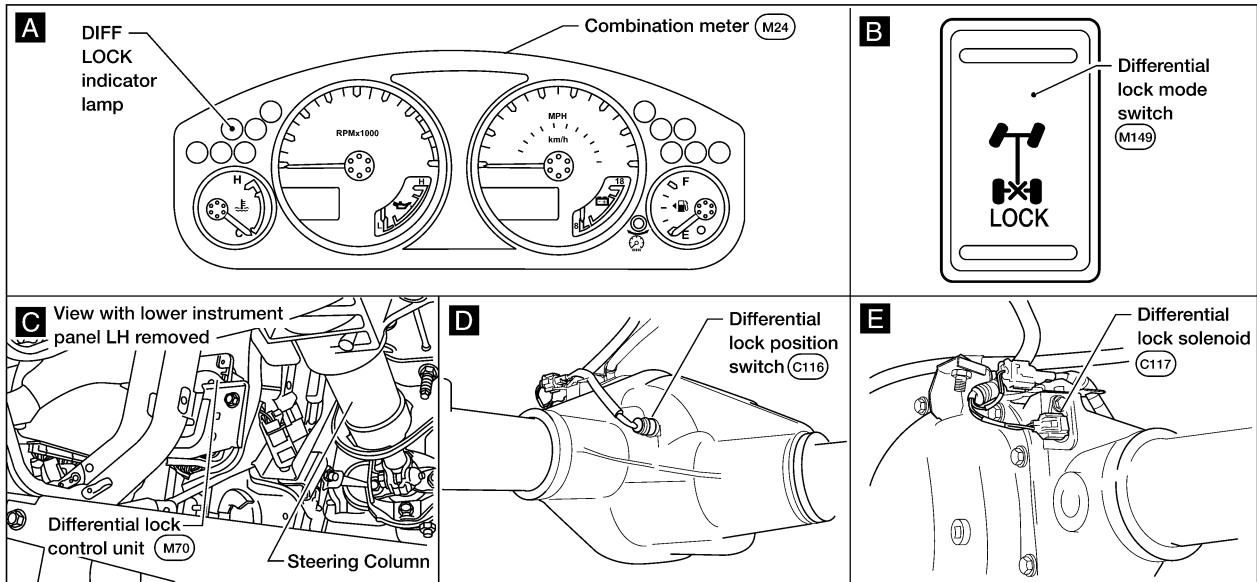
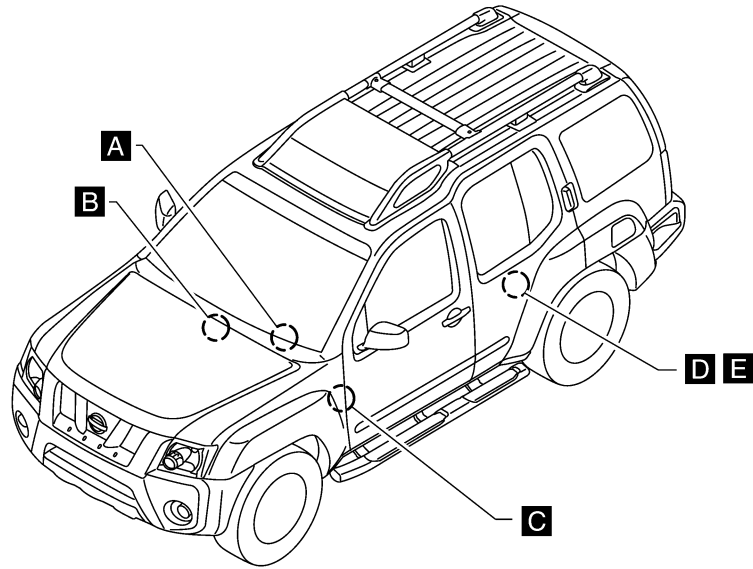
M

# TROUBLE DIAGNOSIS

## [M226 WITH ELECTRONIC LOCKING DIFFERENTIAL]

### Location of Electrical Parts

EDS0030E



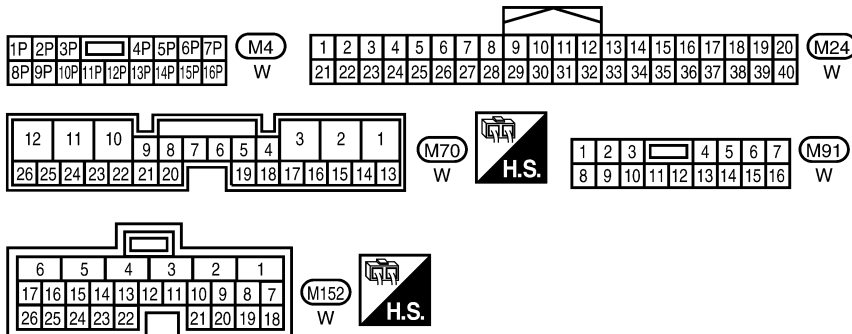
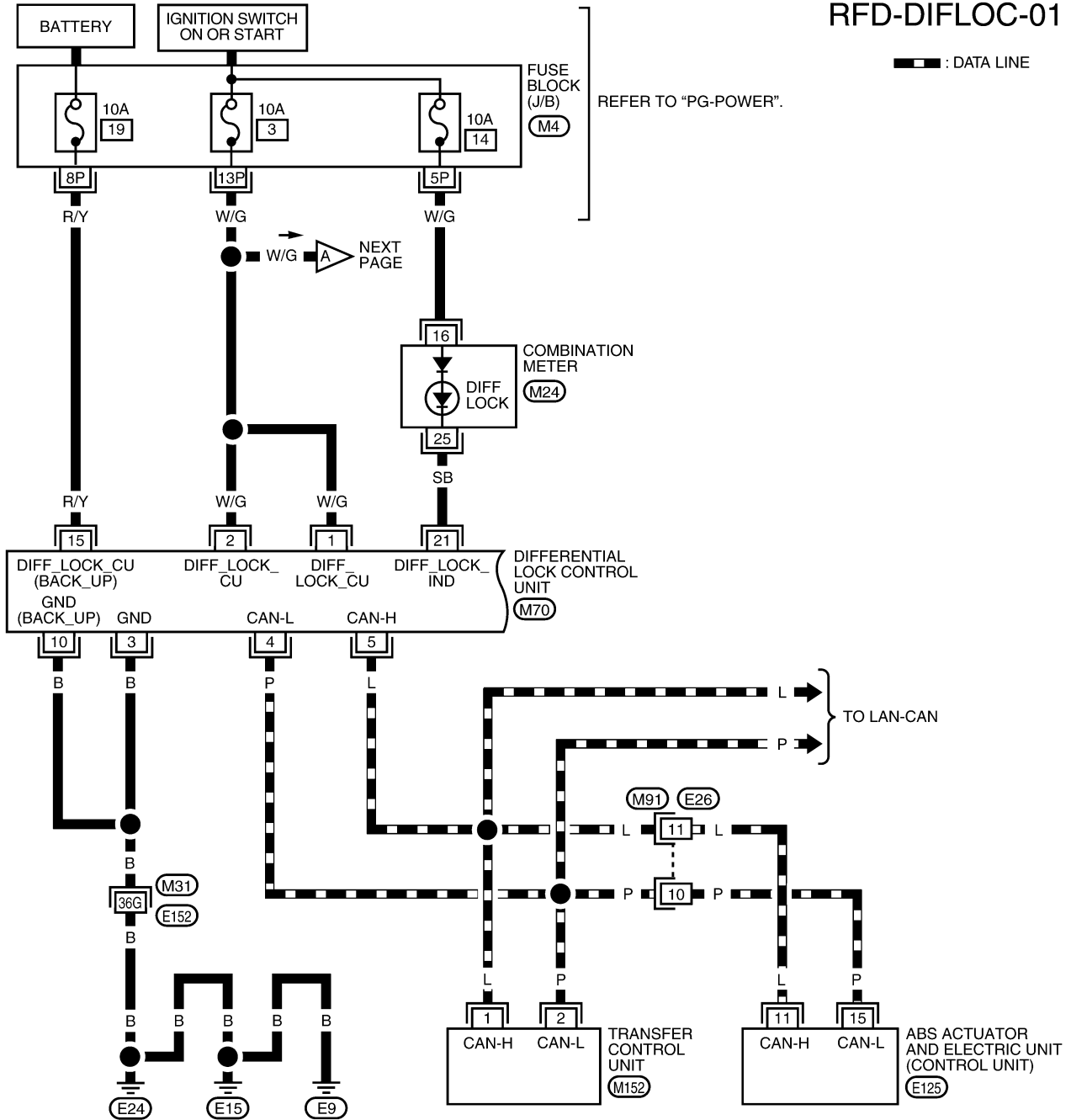
# TROUBLE DIAGNOSIS [M226 WITH ELECTRONIC LOCKING DIFFERENTIAL]

## Wiring Diagram — DIFLOC —

EDS0030F

### RFD-DIFLOC-01

■ : DATA LINE

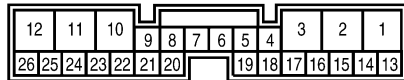
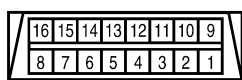
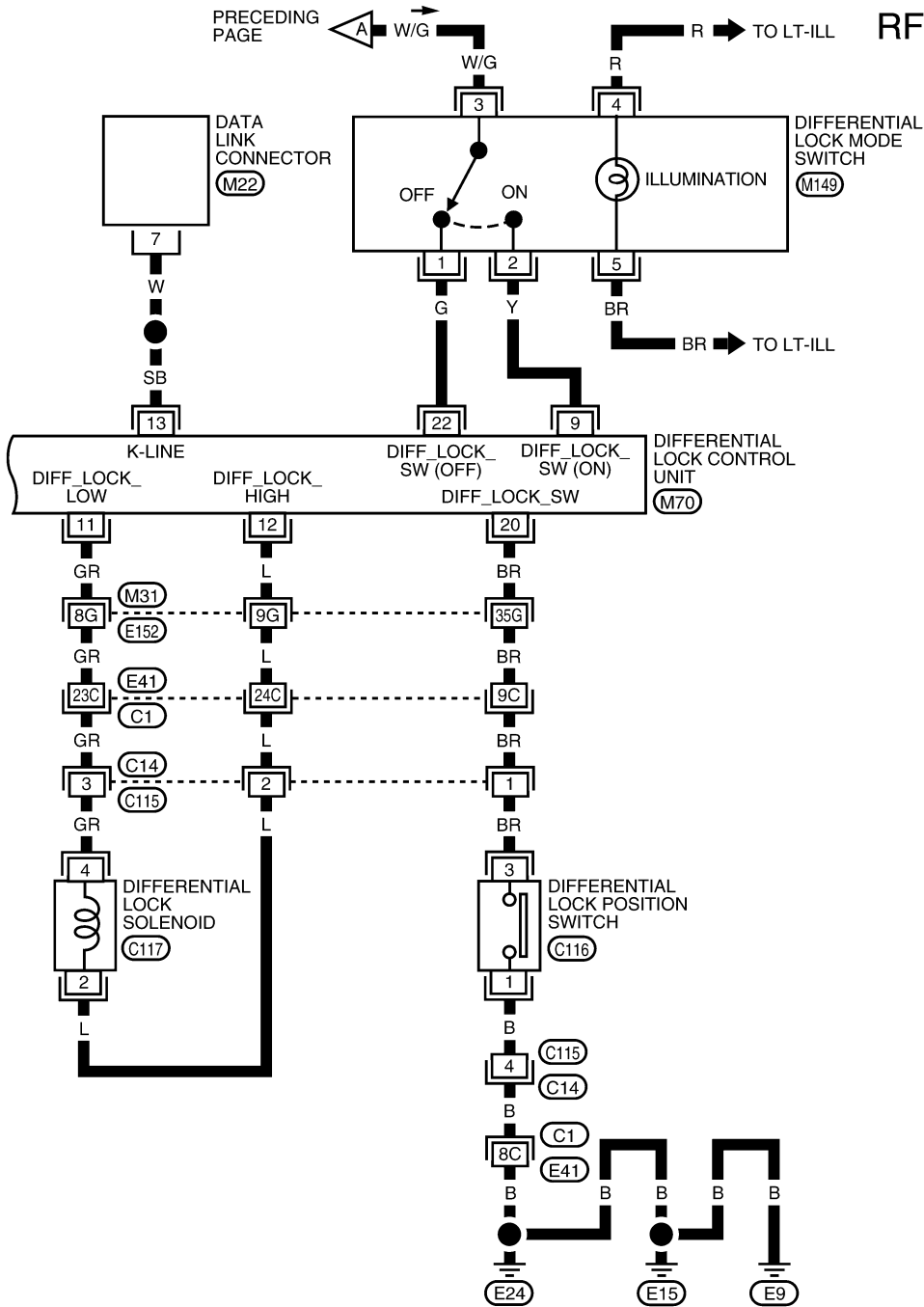


REFER TO THE FOLLOWING.

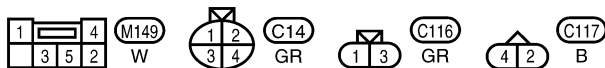
- (M31) - SUPER MULTIPLE JUNCTION (SMJ)
- (E125) - ELECTRICAL UNITS

# TROUBLE DIAGNOSIS [M226 WITH ELECTRONIC LOCKING DIFFERENTIAL]

RFD-DIFLOC-02



REFER TO THE FOLLOWING.  
 (M31), (C1) - SUPER  
 MULTIPLE JUNCTION (SMJ)



BDWA0056E

# TROUBLE DIAGNOSIS

## [M226 WITH ELECTRONIC LOCKING DIFFERENTIAL]

EDS0030G

### Trouble Diagnosis Chart for Symptoms

If the DIFF LOCK indicator lamp does not turn ON then OFF after the engine starts, perform self-diagnosis. Refer to [RFD-88, "SELF-DIAG RESULTS MODE"](#).

Symptom	Condition	Check item	Reference page
DIFF LOCK indicator lamp does not turn ON. (DIFF LOCK indicator lamp check)	Ignition switch: ON	CAN communication line	<a href="#">RFD-107</a>
		Power supply and ground for differential lock control unit	
		Combination meter	
DIFF LOCK indicator lamp does not change.	<ul style="list-style-type: none"> <li>● Engine running</li> <li>● Differential lock mode switch: ON</li> </ul>	Combination meter	<a href="#">RFD-110</a>
		Differential lock mode switch	
		CAN communication line	
DIFF LOCK indicator lamp sometimes flashes.	<ul style="list-style-type: none"> <li>● Engine running</li> <li>● Differential lock mode switch: ON</li> </ul>	Combination meter	<a href="#">RFD-111</a>
		Differential lock mode switch	
		Differential lock position switch	
		Differential inner parts	

### Differential Lock Control Unit Input/Output Signal Reference Values

#### DIFFERENTIAL LOCK CONTROL UNIT INSPECTION TABLE

EDS0030H

#### Specifications with CONSULT-II

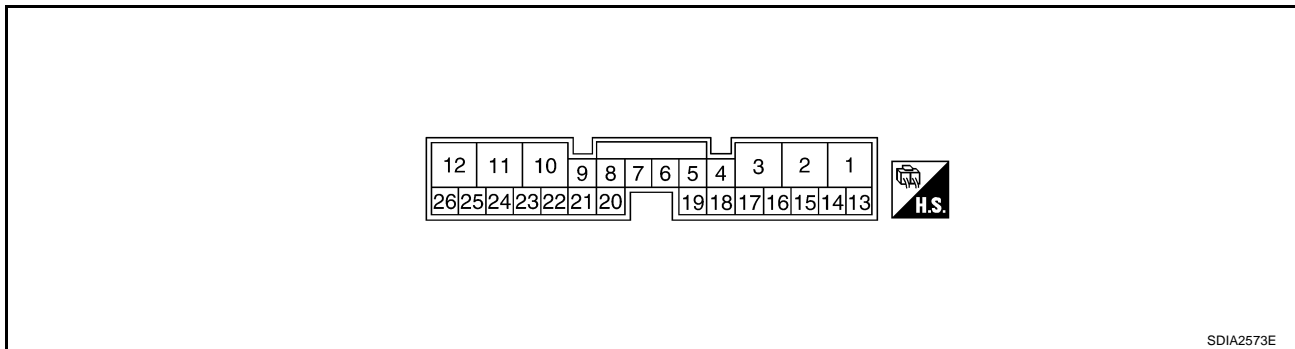
Monitor item [Unit]	Content	Condition	Display value
BATTERY VOLT [V]	Power supply voltage for differential lock control unit	Ignition switch: ON	Battery voltage
4WD MODE [2H/4H/4Lo]	Condition of 4WD shift switch	4WD shift switch (Engine running)	2WD
			4H
			4LO
VHCL S/SEN-R [km/h] or [mph]	Wheel speed (Rear wheel right)	Vehicle stopped	0 km/h (0 mph)
		Vehicle running <b>CAUTION:</b> <b>Check air pressure of tire under standard condition.</b>	Approximately equal to the indication on speedometer (Inside of ±10%)
VHCL S/SEN-L [km/h] or [mph]	Wheel speed (Rear wheel left)	Vehicle stopped	0 km/h (0 mph)
		Vehicle running <b>CAUTION:</b> <b>Check air pressure of tire under standard condition.</b>	Approximately equal to the indication on speedometer (Inside of ±10%)
VHCL S/SEN-RL [km/h] or [mph]	Wheel speed (Average value of rear wheel right and left)	Vehicle stopped	0 km/h (0 mph)
		Vehicle running <b>CAUTION:</b> <b>Check air pressure of tire under standard condition.</b>	Approximately equal to the indication on speedometer (Inside of ±10%)
D-LOCK SW SIG [ON/OFF]	Condition of differential lock mode switch	Differential lock mode switch: ON	ON
		Differential lock mode switch: OFF	OFF
D-LOCK SIG [ON/OFF]	Control status of differential lock	<ul style="list-style-type: none"> <li>● Vehicle stopped</li> <li>● Engine running</li> <li>● VDC OFF switch: ON (if equipped)</li> <li>● 4WD shift switch: 4LO</li> </ul>	Differential lock mode switch: ON
			Differential lock mode switch: OFF

## TROUBLE DIAGNOSIS [M226 WITH ELECTRONIC LOCKING DIFFERENTIAL]

Monitor item [Unit]	Content	Condition		Display value
RELAY ON [ON/OFF]	Operating condition of differential lock solenoid relay (integrated in differential lock control unit)	<ul style="list-style-type: none"> <li>● Vehicle stopped</li> <li>● Engine running</li> <li>● VDC OFF switch: ON (if equipped)</li> <li>● 4WD shift switch: 4LO</li> </ul>	Differential lock mode switch: ON	ON
			Differential lock mode switch: OFF	OFF
RELAY MTR [ON/OFF]	Control status of differential lock solenoid relay (integrated in differential lock control unit)	<ul style="list-style-type: none"> <li>● Vehicle stopped</li> <li>● Engine running</li> <li>● VDC OFF switch: ON (if equipped)</li> <li>● 4WD shift switch: 4LO</li> </ul>	Differential lock mode switch: ON	ON
			Differential lock mode switch: OFF	OFF
SOL MTR [ON/OFF]	Control status of differential lock solenoid	<ul style="list-style-type: none"> <li>● Vehicle stopped</li> <li>● Engine running</li> <li>● VDC OFF switch: ON (if equipped)</li> <li>● 4WD shift switch: 4LO</li> </ul>	Differential lock mode switch: ON	ON
			Differential lock mode switch: OFF	OFF
IND MTR [ON/OFF]	Control status of DIFF LOCK indicator lamp		DIFF LOCK indicator lamp: ON	ON
			DIFF LOCK indicator lamp: OFF	OFF
D-LOCK POS SW [ON/OFF]	Condition of differential lock position switch	<ul style="list-style-type: none"> <li>● Vehicle stopped</li> <li>● Engine running</li> <li>● VDC OFF switch: ON (if equipped)</li> <li>● 4WD shift switch: 4LO</li> </ul>	Differential lock mode switch: ON (DIFF LOCK indicator lamp: ON)	ON
			Differential lock mode switch: OFF (DIFF LOCK indicator lamp: OFF)	OFF

### Specifications Between Differential Lock Control Unit Terminals

#### DIFFERENTIAL LOCK CONTROL UNIT TERMINAL CONNECTOR LAYOUT



Data are reference value and are measured between each terminal and ground.

Terminal	Wire color	Item	Condition		Data (Approx.)
1	W/G	Power supply	Ignition switch: ON		Battery voltage
			Ignition switch: OFF		0V
2	W/G	Power supply	Ignition switch: ON		Battery voltage
			Ignition switch: OFF		0V
3	B	Ground	Always		0V
4	P	CAN-L	-		-
5	L	CAN-H	-		-
9	Y	Differential lock mode switch (ON)	Ignition switch: ON	Differential lock mode switch: ON	Battery voltage
				Differential lock mode switch: OFF	0V

# TROUBLE DIAGNOSIS

## [M226 WITH ELECTRONIC LOCKING DIFFERENTIAL]

Terminal	Wire color	Item	Condition	Data (Approx.)	
10	B	Ground	Always	0V	
11	GR	Differential lock solenoid (-)	<ul style="list-style-type: none"> <li>● Vehicle stopped</li> <li>● Engine running</li> <li>● VDC OFF switch: ON (if equipped)</li> <li>● 4WD shift switch: 4LO</li> </ul>	Differential lock mode switch: ON	0V
				Differential lock mode switch: OFF	Battery voltage
12	L	Differential lock solenoid (+)	<ul style="list-style-type: none"> <li>● Vehicle stopped</li> <li>● Engine running</li> <li>● VDC OFF switch: ON (if equipped)</li> <li>● 4WD shift switch: 4LO</li> </ul>	Differential lock mode switch: ON	Battery voltage
				Differential lock mode switch: OFF	0V
13	SB	K-LINE (CONSULT-II signal)	-	-	
15	R/Y	Power supply (Memory back-up)	Ignition switch: ON	Battery voltage	
			Ignition switch: OFF	Battery voltage	
20	BR	Differential lock position switch	<ul style="list-style-type: none"> <li>● Vehicle stopped</li> <li>● Engine running</li> <li>● VDC OFF switch: ON (if equipped)</li> <li>● 4WD shift switch: 4LO</li> </ul>	Differential lock mode switch: ON (DIFF LOCK indicator lamp: ON)	0V
				Differential lock mode switch: OFF (DIFF LOCK indicator lamp: OFF)	Battery voltage
21	SB	DIFF LOCK indicator lamp	Ignition switch: ON	DIFF LOCK indicator lamp: ON	0V
				DIFF LOCK indicator lamp: OFF	Battery voltage
22	G	Differential lock mode switch (OFF)	Ignition switch: ON	Differential lock mode switch: ON	0V
				Differential lock mode switch: OFF	Battery voltage

**CAUTION:**

When using a circuit tester to measure voltage for inspection, be sure not to extend forcibly any connector terminals.

### CONSULT-II Function (DIFF LOCK) FUNCTION

EDS00301

CONSULT-II can display each diagnostic item using the diagnostic test modes shown following.

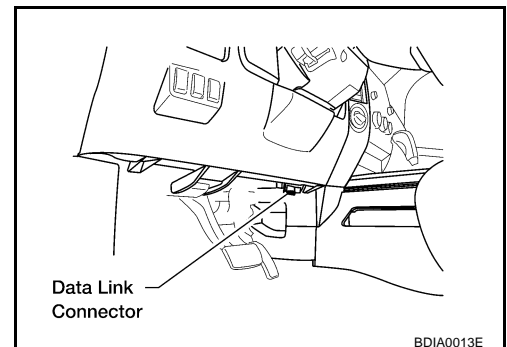
DIFF LOCK diagnostic mode	Description
DATA MONITOR	Displays differential lock control unit input/output data in real time.
SELF-DIAG RESULTS	Displays differential lock control unit self-diagnosis results.
CAN DIAG SUPPORT MNTR	The result of transmit/receive diagnosis of CAN communication can be read.

### CONSULT-II SETTING PROCEDURE

**CAUTION:**

If CONSULT-II is used with no connection of CONSULT-II CONVERTER, malfunctions might be detected in self-diagnosis depending on control unit which carries out CAN communication.

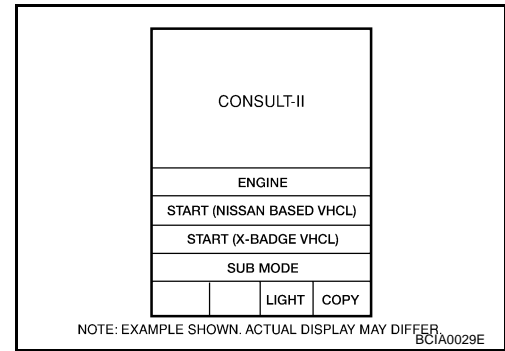
- For details, refer to the separate "CONSULT-II Operations Manual".
1. Turn ignition switch OFF.
  2. Connect CONSULT-II and CONSULT-II CONVERTER to data link connector on vehicle.
  3. Turn ignition switch ON.



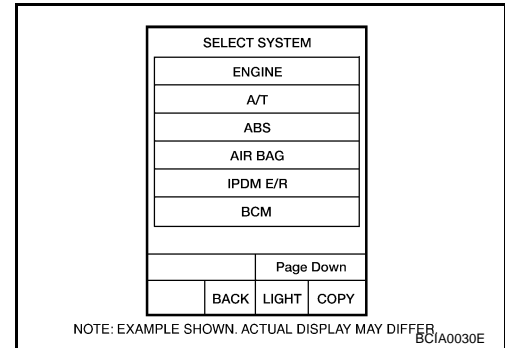
# TROUBLE DIAGNOSIS

## [M226 WITH ELECTRONIC LOCKING DIFFERENTIAL]

4. Touch "START (NISSAN BASED VHCL)".



5. Touch "DIFF LOCK".  
If "DIFF LOCK" is not indicated, go to [GI-39, "CONSULT-II Data Link Connector \(DLC\) Circuit"](#).
6. Perform each diagnostic test mode according to each service procedure.



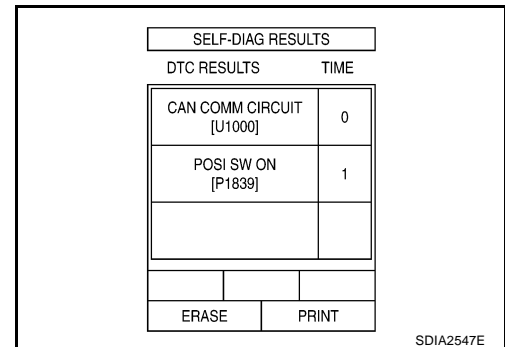
### SELF-DIAG RESULTS MODE

#### Operation Procedure

- Perform "CONSULT-II SETTING PROCEDURE". Refer to [RFD-87, "CONSULT-II SETTING PROCEDURE"](#).
- With engine at idle, touch "SELF-DIAG RESULTS". Display shows malfunction experienced since the last erasing operation.

**NOTE:**

- The details for "TIME" are as follow:
  - "0": Error currently detected with differential lock control unit.
  - Except for "0": Error detected in the past and memorized with differential lock control unit.  
Detects frequency of driving after DTC occurs (frequency of turning ignition switch "ON/OFF").



#### Display Item List

Items (CONSULT-II screen terms)	Diagnostic item is detected when...	Check item
*INITIAL START* [P1833]	● Due to removal of battery which cuts off power supply to differential control unit, self-diagnosis memory function is suspended.	<a href="#">RFD-91, "Power Supply Circuit For Differential Lock Control Unit"</a>
CONTROL UNIT 1 [P1834]	● Malfunction is detected in the memory (RAM) system of differential lock control unit.	<a href="#">RFD-93, "Differential Lock Control Unit"</a>
CONTROL UNIT 2 [P1835]	● Malfunction is detected in the memory (ROM) system of differential lock control unit.	<a href="#">RFD-93, "Differential Lock Control Unit"</a>
CONTROL UNIT 3 [P1836]	● Malfunction is detected in the memory (EEPROM) system of differential lock control unit.	<a href="#">RFD-93, "Differential Lock Control Unit"</a>
CONTROL UNIT 4 [P1837]	● AD converter system of differential lock control unit is malfunctioning.	<a href="#">RFD-93, "Differential Lock Control Unit"</a>
ON SW [P1838]	● More than two switch inputs are simultaneously detected due to short circuit of differential lock mode switch.	<a href="#">RFD-93, "Differential Lock Mode Switch"</a>



## TROUBLE DIAGNOSIS

### [M226 WITH ELECTRONIC LOCKING DIFFERENTIAL]

Items (CONSULT-II screen terms)	Diagnostic item is detected when...	Check item
POSI SW ON [P1839]	<ul style="list-style-type: none"> <li>When differential lock position switch is ON, rotation difference occurs in wheel speed (rear wheel right and left).</li> </ul>	<a href="#">RFD-97, "Differential Lock Position Switch"</a>
RELAY [P1844]	<ul style="list-style-type: none"> <li>Differential lock control unit detects as irregular by comparing target value with monitor value.</li> </ul>	<a href="#">RFD-100, "Differential Lock Solenoid Relay", RFD-101, "Differential Lock Solenoid"</a>
SOL CIRCUIT [P1847]	<ul style="list-style-type: none"> <li>Malfunction is detected in differential lock control unit internal circuit.</li> </ul>	<a href="#">RFD-101, "Differential Lock Solenoid"</a>
SOL DISCONNECT [P1848]	<ul style="list-style-type: none"> <li>Differential lock solenoid internal circuit or harness is open.</li> <li>Differential lock solenoid relay does not switch to ON position.</li> </ul>	<a href="#">RFD-101, "Differential Lock Solenoid"</a>
SOL SHORT [P1849]	<ul style="list-style-type: none"> <li>Differential lock solenoid internal circuit or harness is shorted.</li> </ul>	<a href="#">RFD-101, "Differential Lock Solenoid"</a>
SOL CURRENT [P1850]	<ul style="list-style-type: none"> <li>Differential lock solenoid relay does not switch to OFF position.</li> </ul>	<a href="#">RFD-101, "Differential Lock Solenoid"</a>
ABS SYSTEM [C1203]	<ul style="list-style-type: none"> <li>Malfunction related to wheel sensor has been detected by ABS actuator and electric unit (control unit).</li> </ul>	<a href="#">RFD-105, "ABS System"</a>
CAN COMM CIRCUIT [U1000]	<ul style="list-style-type: none"> <li>Malfunction has been detected from CAN communication line.</li> </ul>	<a href="#">RFD-106, "CAN Communication Line"</a>
NO DTC IS DETECTED. FURTHER TESTING MAY BE REQUIRED.	<ul style="list-style-type: none"> <li>No NG item has been detected.</li> </ul>	—

**CAUTION:**

If "CAN COMM CIRCUIT [U1000]" is displayed with other DTCs, first perform the trouble diagnosis for CAN communication line.

#### How to Erase Self-diagnostic Results

1. Perform inspection of malfunctioning item and then repair or replace.
2. Start engine and select "SELF-DIAG RESULTS" mode for "DIFF LOCK" with CONSULT-II.
3. Touch "ERASE" on CONSULT-II screen to erase DTC memory.

**CAUTION:**

If memory cannot be erased, perform diagnosis.

# TROUBLE DIAGNOSIS

## [M226 WITH ELECTRONIC LOCKING DIFFERENTIAL]

### DATA MONITOR MODE

#### Operation Procedure

1. Perform "CONSULT-II SETTING PROCEDURE". Refer to [RFD-87, "CONSULT-II SETTING PROCEDURE"](#).
2. Touch "DATA MONITOR".
3. Select from "SELECT MONITOR ITEM", screen of data monitor mode is displayed.

**NOTE:**

**When malfunction is detected, CONSULT-II performs REAL-TIME DIAGNOSIS.  
Also, any malfunction detected while in this mode will be displayed at real time.**

#### Display Item List

×: Standard    -: Not applicable

Monitor item (Unit)	SELECT MONITOR ITEM			Remarks
	ECU INPUT SIGNALS	MAIN SIGNALS	SELECTION FROM MENU	
BATTERY VOLT [V]	×	×	×	Power supply voltage for differential lock control unit.
4WD MODE [2H/4H/4Lo]	×	×	×	4WD shift switch signal status via CAN communication line is displayed.
VHCL S/SEN-R [km/h] or [mph]	×	-	×	Wheel speed calculated by rear wheel sensor right signal is displayed.
VHCL S/SEN-L [km/h] or [mph]	×	-	×	Wheel speed calculated by rear wheel sensor left signal is displayed.
VHCL S/SEN-RL [km/h] or [mph]	×	×	×	Average value between wheel speed calculated by rear wheel sensor right signal and rear wheel sensor left signal is displayed.
D-LOCK SW SIG [ON/OFF]	×	×	×	Condition of differential lock mode switch is displayed.
D-LOCK SIG [ON/OFF]	×	×	×	Control status of differential lock is displayed.
RELAY ON [ON/OFF]	×	×	×	Operating condition of differential lock solenoid relay is displayed (integrated in differential lock control unit).
RELAY MTR [ON/OFF]	×	×	×	Control status of differential lock solenoid relay is displayed (integrated in differential lock control unit).
SOL MTR [ON/OFF]	×	×	×	Control status of differential lock solenoid is displayed.
IND MTR [ON/OFF]	×	×	×	Control status of DIFF LOCK indicator lamp is displayed.
D-LOCK POS SW [ON/OFF]	×	×	×	Condition of differential lock position switch is displayed.
Voltage [V]	-	-	×	The value measured by the voltage probe is displayed.
Frequency [Hz]	-	-	×	The value measured by the pulse probe is displayed.
DUTY-HI (high) [%]	-	-	×	
DUTY-LOW (low) [%]	-	-	×	
PLS WIDTH-HI [msec]	-	-	×	
PLS WIDTH-LOW [msec]	-	-	×	

# TROUBLE DIAGNOSIS FOR SYSTEM [M226 WITH ELECTRONIC LOCKING DIFFERENTIAL]

## TROUBLE DIAGNOSIS FOR SYSTEM

PFP:00000

### Power Supply Circuit For Differential Lock Control Unit CONSULT-II REFERENCE VALUE IN DATA MONITOR MODE

EDS0030J

Data are reference value.

Monitor item [Unit]	Content	Condition	Display value
BATTERY VOLT [V]	Power supply voltage for differential lock control unit	Ignition switch: ON	Battery voltage

### DIFFERENTIAL LOCK CONTROL UNIT TERMINALS AND REFERENCE VALUE

Data are reference value and are measured between each terminal and ground.

Terminal	Wire color	Item	Condition	Data (Approx.)
1	W/G	Power supply	Ignition switch: ON	Battery voltage
			Ignition switch: OFF	0V
2	W/G	Power supply	Ignition switch: ON	Battery voltage
			Ignition switch: OFF	0V
3	B	Ground	Always	0V
10	B	Ground	Always	0V
15	R/Y	Power supply (Memory back-up)	Ignition switch: ON	Battery voltage
			Ignition switch: OFF	Battery voltage

**CAUTION:**

When using a circuit tester to measure voltage for inspection, be sure not to extend forcibly any connector terminals.

A  
B  
C  
RFD  
E  
F  
G  
H  
I  
J  
K  
L  
M

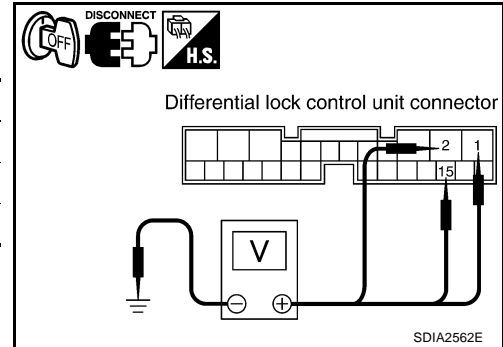
# TROUBLE DIAGNOSIS FOR SYSTEM [M226 WITH ELECTRONIC LOCKING DIFFERENTIAL]

## DIAGNOSTIC PROCEDURE

### 1. CHECK POWER SUPPLY

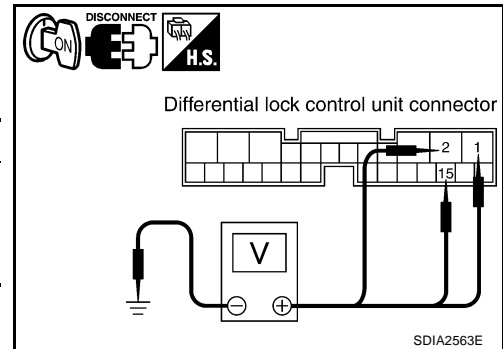
1. Turn ignition switch OFF.
2. Disconnect differential lock control unit harness connector.
3. Check voltage between differential lock control unit harness connector terminals and ground.

Connector	Terminal	Voltage (Approx.)
M70	1 - Ground	0V
	2 - Ground	0V
	15 - Ground	Battery voltage



4. Turn ignition switch ON. (Do not start engine.)
5. Check voltage between differential lock control unit harness connector terminals and ground.

Connector	Terminal	Voltage (Approx.)
M70	1 - Ground	Battery voltage
	2 - Ground	
	15 - Ground	



OK or NG

OK >> GO TO 2.

NG >> Check the following. If any items are damaged, repair or replace damaged parts.

- 10A fuse [No. 3 or 19, located in fuse block (J/B)]
- Harness for short or open between battery and differential lock control unit harness connector terminal 15
- Harness for short or open between ignition switch and differential lock control unit harness connector terminals 1 and 2
- Battery and ignition switch. Refer to [PG-4, "POWER SUPPLY ROUTING CIRCUIT"](#).

### 2. CHECK GROUND CIRCUIT

1. Turn ignition switch OFF.
2. Check continuity between differential lock control unit harness connector M70 terminals 3, 10 and ground.

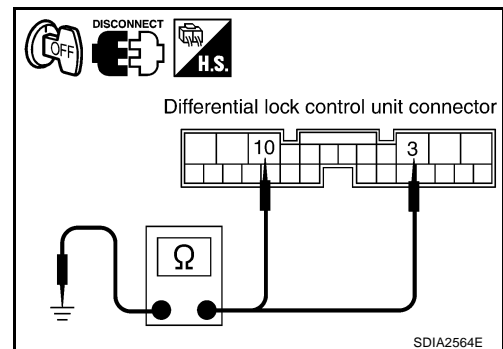
**Continuity should exist.**

Also check harness for short to ground and short to power.

OK or NG

OK >> GO TO 3.

NG >> Repair open circuit or short to ground or short to power in harness or connectors.



# TROUBLE DIAGNOSIS FOR SYSTEM [M226 WITH ELECTRONIC LOCKING DIFFERENTIAL]

## 3. CHECK DIFFERENTIAL LOCK CONTROL UNIT

Check differential lock control unit input/output signal. Refer to [RFD-85, "Differential Lock Control Unit Input/Output Signal Reference Values"](#).

OK or NG

- OK >> GO TO 4.
- NG >> Check differential lock control unit pin terminals for damage or loose connection with harness connector. If any items are damaged, repair or replace damaged parts.

## 4. CHECK DTC

Perform the self-diagnosis, after driving the vehicle for a while.

OK or NG

- OK >> Inspection End.
- NG >> Replace differential lock control unit. Refer to [RFD-113, "DIFFERENTIAL LOCK CONTROL UNIT"](#).

## Differential Lock Control Unit DIAGNOSTIC PROCEDURE

EDS0030K

### 1. PERFORM SELF-DIAGNOSIS

Ⓜ With CONSULT-II

1. Turn ignition switch ON. (Do not start engine.)
2. Select "SELF-DIAG RESULTS" mode for "DIFF LOCK" with CONSULT-II.
3. Touch "ERASE".
4. Turn ignition switch OFF and wait at least 10 seconds.
5. Perform the self-diagnosis again.

Is the "CONTROL UNIT 1 [P1834]", "CONTROL UNIT 2 [P1835]", "CONTROL UNIT 3 [P1836]" or "CONTROL UNIT 4 [P1837]" displayed?

- YES >> Replace differential lock control unit. Refer to [RFD-113, "DIFFERENTIAL LOCK CONTROL UNIT"](#).
- NO >> Inspection End.

## Differential Lock Mode Switch CONSULT-II REFERENCE VALUE IN DATA MONITOR MODE

EDS0030L

Data are reference value.

Monitor item	Content	Condition	Display value
D-LOCK SW SIG [ON/OFF]	Condition of differential lock mode switch	Differential lock mode switch: ON	ON
		Differential lock mode switch: OFF	OFF

## DIFFERENTIAL LOCK CONTROL UNIT TERMINALS AND REFERENCE VALUE

Data are reference value and are measured between each terminal and ground.

Terminal	Wire color	Item	Condition	Data (Approx.)
9	Y	Differential lock mode switch (ON)	Ignition switch: ON	Differential lock mode switch: ON Battery voltage
				Differential lock mode switch: OFF 0V
22	G	Differential lock mode switch (OFF)	Ignition switch: ON	Differential lock mode switch: ON 0V
				Differential lock mode switch: OFF Battery voltage

### CAUTION:

When using a circuit tester to measure voltage for inspection, be sure not to extend forcibly any connector terminals.

# TROUBLE DIAGNOSIS FOR SYSTEM [M226 WITH ELECTRONIC LOCKING DIFFERENTIAL]

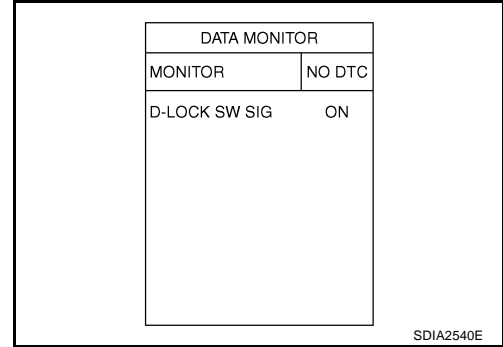
## DIAGNOSTIC PROCEDURE

### 1. CHECK DIFFERENTIAL LOCK MODE SWITCH SIGNAL

#### Ⓜ With CONSULT-II

1. Start engine.
2. Select "DATA MONITOR" mode for "DIFF LOCK" with CONSULT-II.
3. Read out ON/OFF switching action of "D-LOCK SW SIG".

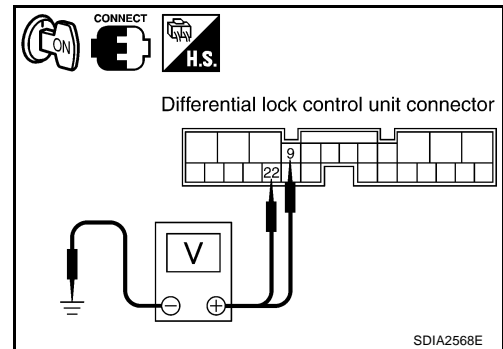
Monitor item	Condition	Display value
D-LOCK SW SIG	<ul style="list-style-type: none"> <li>● Vehicle stopped</li> <li>● Engine running</li> </ul>	Differential lock mode switch: ON
		Differential lock mode switch: OFF



#### ⓧ Without CONSULT-II

1. Turn ignition switch ON.
2. Check voltage between differential lock control unit harness connector terminals and ground.

Connector	Terminal	Condition	Voltage (Approx.)
M70	9 - Ground	Differential lock mode switch: ON	Battery voltage
		Differential lock mode switch: OFF	0V
	22 - Ground	Differential lock mode switch: ON	0V
		Differential lock mode switch: OFF	Battery voltage



#### OK or NG

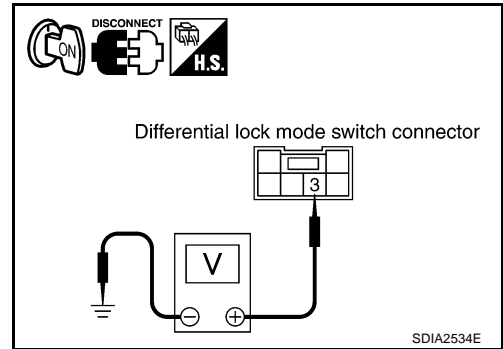
- OK    >> GO TO 5.  
 NG    >> GO TO 2.

# TROUBLE DIAGNOSIS FOR SYSTEM [M226 WITH ELECTRONIC LOCKING DIFFERENTIAL]

## 2. CHECK DIFFERENTIAL LOCK MODE SWITCH SUPPLY CIRCUIT

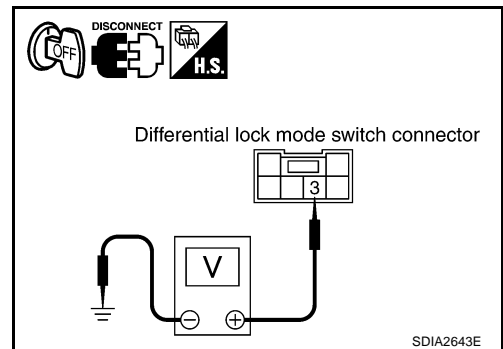
1. Turn ignition switch ON.
2. Disconnect differential lock mode switch harness connector.
3. Check voltage between differential lock mode switch harness connector terminal 3 and ground.

Connector	Terminal	Voltage (Approx.)
M149	3 - Ground	Battery voltage



4. Turn ignition switch OFF.
5. Check voltage between differential lock mode switch harness connector terminal 3 and ground.

Connector	Terminal	Voltage (Approx.)
M149	3 - Ground	0V



### OK or NG

OK >> GO TO 3.

NG >> Check the following. If any items are damaged, repair or replace damaged parts.

- 10A fuse [No. 3, located in fuse block (J/B)]
- Harness for short or open between ignition switch and differential lock mode switch harness connector terminal 3
- Ignition switch. Refer to [PG-4. "POWER SUPPLY ROUTING CIRCUIT"](#).

## 3. CHECK DIFFERENTIAL LOCK MODE SWITCH

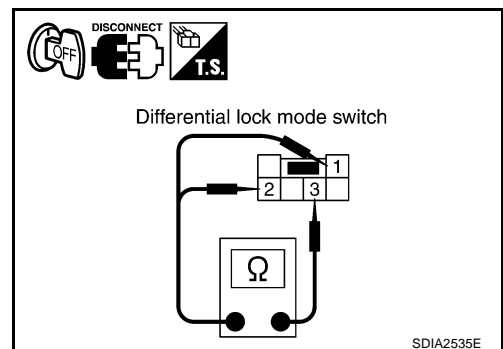
1. Turn ignition switch OFF.
2. Operate differential lock mode switch and check continuity between differential lock mode switch terminals.

Terminal	Condition	Continuity
1 - 3	Differential lock mode switch: ON	No
	Differential lock mode switch: OFF	Yes
2 - 3	Differential lock mode switch: ON	Yes
	Differential lock mode switch: OFF	No

### OK or NG

OK >> GO TO 4.

NG >> Replace differential lock mode switch.



# TROUBLE DIAGNOSIS FOR SYSTEM [M226 WITH ELECTRONIC LOCKING DIFFERENTIAL]

## 4. CHECK HARNESS BETWEEN DIFFERENTIAL LOCK CONTROL UNIT AND DIFFERENTIAL LOCK MODE SWITCH

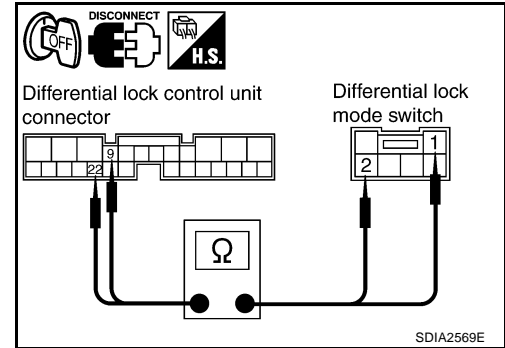
1. Disconnect differential lock control unit harness connector.
2. Check continuity between the following terminals.
  - Differential lock control unit harness connector M70 terminal 9 and differential lock mode switch harness connector M149 terminal 2.
  - Differential lock control unit harness connector M70 terminal 22 and differential lock mode switch harness connector M149 terminal 1.

**Continuity should exist.**

Also check harness for short to ground and short to power.

OK or NG

- OK >> GO TO 5.
- NG >> Repair or replace damaged parts.



## 5. CHECK DIFFERENTIAL LOCK CONTROL UNIT

Check differential lock control unit input/output signal. Refer to [RFD-85, "Differential Lock Control Unit Input/Output Signal Reference Values"](#).

OK or NG

- OK >> GO TO 6.
- NG >> Check differential lock control unit pin terminals for damage or loose connection with harness connector. If any items are damaged, repair or replace damaged parts.

## 6. CHECK DTC

Perform the self-diagnosis, after driving the vehicle for a while.

OK or NG

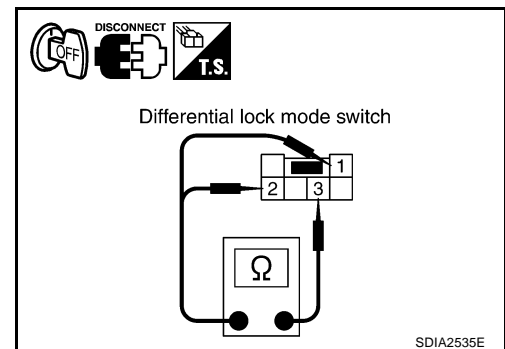
- OK >> Inspection End.
- NG >> Replace differential lock control unit. Refer to [RFD-113, "DIFFERENTIAL LOCK CONTROL UNIT"](#).

## COMPONENT INSPECTION

1. Turn ignition switch OFF.
2. Operate differential lock mode switch and check continuity between differential lock mode switch terminals.

Terminal	Condition	Continuity
1 - 3	Differential lock mode switch: ON	No
	Differential lock mode switch: OFF	Yes
2 - 3	Differential lock mode switch: ON	Yes
	Differential lock mode switch: OFF	No

3. If NG, replace differential lock mode switch.





# TROUBLE DIAGNOSIS FOR SYSTEM [M226 WITH ELECTRONIC LOCKING DIFFERENTIAL]

EDS0030M

## Differential Lock Position Switch CONSULT-II REFERENCE VALUE IN DATA MONITOR MODE

Data are reference value.

Monitor item	Content	Condition	Display value
D-LOCK POS SW [ON/OFF]	Condition of differential lock position switch	<ul style="list-style-type: none"> <li>● Vehicle stopped</li> <li>● Engine running</li> <li>● VDC OFF switch: ON (if equipped)</li> <li>● 4WD shift switch: 4LO</li> </ul>	Differential lock mode switch: ON (DIFF LOCK indicator lamp: ON)
			Differential lock mode switch: OFF (DIFF LOCK indicator lamp: OFF)

A  
B  
C  
RFD

## DIFFERENTIAL CONTROL UNIT TERMINALS AND REFERENCE VALUE

Data are reference value and are measured between each terminal and ground.

Terminal	Wire color	Item	Condition	Data (Approx.)
20	BR	Differential lock position switch	<ul style="list-style-type: none"> <li>● Vehicle stopped</li> <li>● Engine running</li> <li>● VDC OFF switch: ON (if equipped)</li> <li>● 4WD shift switch: 4LO</li> </ul>	Differential lock mode switch: ON (DIFF LOCK indicator lamp: ON)
				Differential lock mode switch: OFF (DIFF LOCK indicator lamp: OFF)

E  
F  
G  
H  
I  
J  
K  
L  
M

**CAUTION:**

When using a circuit tester to measure voltage for inspection, be sure not to extend forcibly any connector terminals.

# TROUBLE DIAGNOSIS FOR SYSTEM [M226 WITH ELECTRONIC LOCKING DIFFERENTIAL]

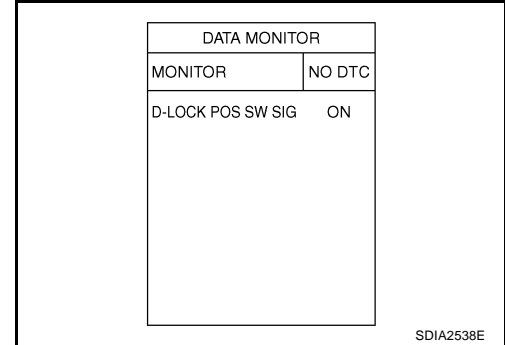
## DIAGNOSTIC PROCEDURE

### 1. CHECK DIFFERENTIAL LOCK POSITION SWITCH SIGNAL

#### Ⓜ With CONSULT-II

1. Start engine.
2. Select "DATA MONITOR" mode for "DIFF LOCK" with CONSULT-II.
3. Read out ON/OFF switching action of "D-LOCK POS SW SIG".

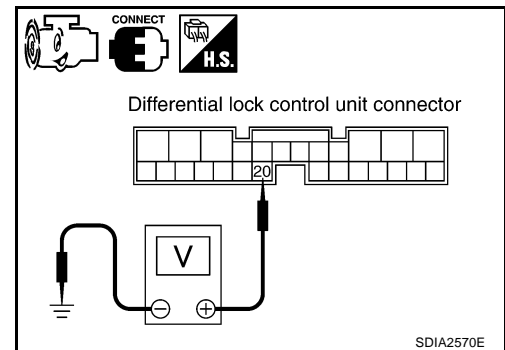
Monitor item	Condition		Display value
D-LOCK POS SW SIG	<ul style="list-style-type: none"> <li>● Vehicle stopped</li> <li>● Engine running</li> <li>● VDC OFF switch: ON (if equipped)</li> <li>● 4WD shift switch: 4LO</li> </ul>	Differential lock mode switch: ON (DIFF LOCK indicator lamp: ON)	ON
		Differential lock mode switch: OFF (DIFF LOCK indicator lamp: OFF)	OFF



#### ⓧ Without CONSULT-II

1. Start engine.
2. Check voltage between differential lock control unit harness connector terminal and ground.

Connector	Terminal	Condition		Voltage (Approx.)
M70	20 - Ground	<ul style="list-style-type: none"> <li>● Vehicle stopped</li> <li>● Engine running</li> <li>● VDC OFF switch: ON (if equipped)</li> <li>● 4WD shift switch: 4LO</li> </ul>	Differential lock mode switch: ON (DIFF LOCK indicator lamp: ON)	0V
			Differential lock mode switch: OFF (DIFF LOCK indicator lamp: OFF)	Battery voltage



OK or NG

- OK >> GO TO 5.  
NG >> GO TO 2.

### 2. CHECK GROUND CIRCUIT

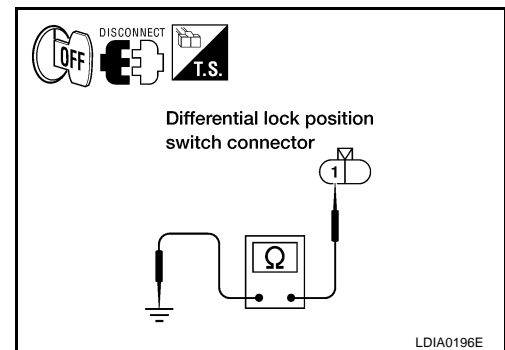
1. Turn ignition switch OFF.
2. Disconnect differential lock position switch harness connector.
3. Check continuity between differential lock position switch harness connector C116 terminal 1 and ground.

**Continuity should exist.**

Also check harness for short to ground and short to power.

OK or NG

- OK >> GO TO 3.  
NG >> Repair open circuit or short to ground or short to power in harness or connectors.



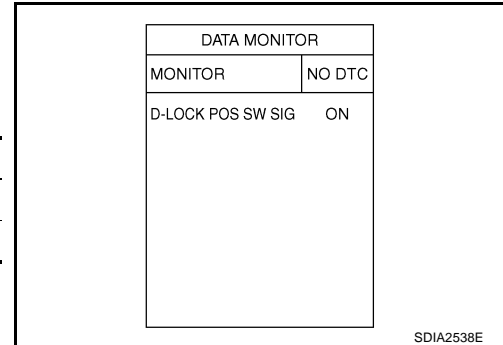
# TROUBLE DIAGNOSIS FOR SYSTEM [M226 WITH ELECTRONIC LOCKING DIFFERENTIAL]

## 3. CHECK DIFFERENTIAL LOCK POSITION SWITCH

### With CONSULT-II

1. Turn ignition switch ON.
2. Select "DATA MONITOR" mode for "DIFF LOCK" with CONSULT-II.
3. Read out ON/OFF switching action of "D-LOCK POS SW SIG" while connecting and disconnecting jumper wire between differential lock position switch harness connector C116 terminals 1 and 3.

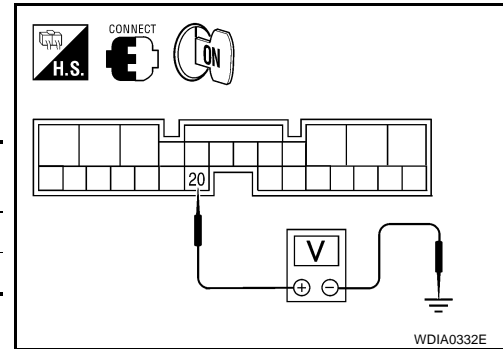
Monitor item	Condition	Display value
D-LOCK POS SW SIG	Jumper wire connected	ON
	Jumper wire disconnected	OFF



### Without CONSULT-II

1. Turn ignition switch ON.
2. Check voltage between differential lock control unit harness connector terminal and ground while connecting and disconnecting jumper wire between differential lock position switch harness connector C116 terminals 1 and 3.

Connector	Terminal	Condition	Voltage (Approx.)
M70	20 - Ground	Jumper wire connected	0V
		Jumper wire disconnected	Battery voltage



#### OK or NG

- OK >> Replace differential lock position switch.
- NG >> GO TO 4.

## 4. CHECK HARNESS BETWEEN DIFFERENTIAL LOCK CONTROL UNIT AND DIFFERENTIAL LOCK POSITION SWITCH

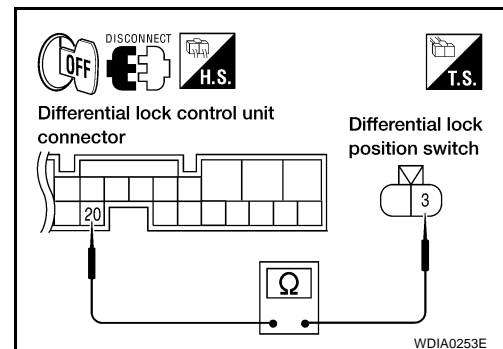
1. Turn ignition switch OFF.
2. Disconnect differential lock control unit harness connector.
3. Check continuity between differential lock control unit harness connector M70 terminal 20 and differential lock position switch harness connector C116 terminal 3.

**Continuity should exist.**

Also check harness for short to ground and short to power.

#### OK or NG

- OK >> GO TO 5.
- NG >> Repair or replace damaged parts.



# TROUBLE DIAGNOSIS FOR SYSTEM [M226 WITH ELECTRONIC LOCKING DIFFERENTIAL]

## 5. CHECK DIFFERENTIAL LOCK CONTROL UNIT

Check differential lock control unit input/output signal. Refer to [RFD-85, "Differential Lock Control Unit Input/Output Signal Reference Values"](#) .

OK or NG

- OK >> GO TO 6.
- NG >> Check differential lock control unit pin terminals for damage or loose connection with harness connector. If any items are damaged, repair or replace damaged parts.

## 6. CHECK DTC

Perform the self-diagnosis, after driving the vehicle for a while.

OK or NG

- OK >> Inspection End.
- NG >> Replace differential lock control unit. Refer to [RFD-113, "DIFFERENTIAL LOCK CONTROL UNIT"](#) .

### Differential Lock Solenoid Relay CONSULT-II REFERENCE VALUE IN DATA MONITOR MODE

EDS0030N

Data are reference value.

Monitor item	Content	Condition	Display value
RELAY ON [ON/OFF]	Operating condition of differential lock solenoid relay (integrated in differential lock control unit)	<ul style="list-style-type: none"> <li>● Vehicle stopped</li> <li>● Engine running</li> <li>● VDC OFF switch: ON (if equipped)</li> <li>● 4WD shift switch: 4LO</li> </ul>	Differential lock mode switch: ON  ON
			Differential lock mode switch: OFF  OFF

## DIAGNOSTIC PROCEDURE

### 1. CHECK DIFFERENTIAL LOCK SOLENOID SYSTEM

Perform self-diagnosis. Refer to [RFD-88, "SELF-DIAG RESULTS MODE"](#) .

Is "RELAY [P1844]" displayed?

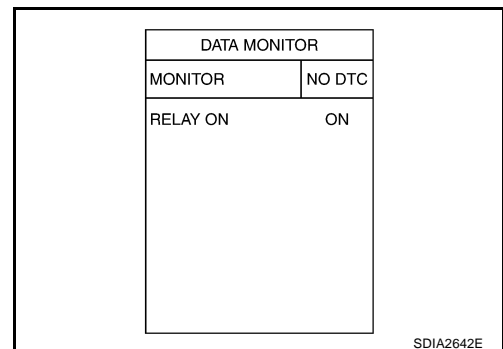
- YES >> Perform trouble diagnosis for differential lock solenoid. Refer to [RFD-101, "Differential Lock Solenoid"](#) .
- NO >> GO TO 2.

### 2. CHECK DIFFERENTIAL LOCK SOLENOID RELAY SIGNAL

**With CONSULT-II**

1. Start engine.
2. Select "DATA MONITOR" mode for "DIFF LOCK" with CONSULT-II.
3. Read out ON/OFF switching action of "RELAY ON".

Monitor item	Condition	Display value
RELAY ON	<ul style="list-style-type: none"> <li>● Vehicle stopped</li> <li>● Engine running</li> <li>● VDC OFF switch: ON (if equipped)</li> <li>● 4WD shift switch: 4LO</li> </ul>	Differential lock mode switch: ON  ON
		Differential lock mode switch: OFF  OFF



OK or NG

- OK >> GO TO 4.
- NG >> GO TO 3.

# TROUBLE DIAGNOSIS FOR SYSTEM [M226 WITH ELECTRONIC LOCKING DIFFERENTIAL]

## 3. CHECK DIFFERENTIAL LOCK CONTROL UNIT

Check differential lock control unit input/output signal. Refer to [RFD-85, "Differential Lock Control Unit Input/Output Signal Reference Values"](#).

OK or NG

OK >> GO TO 4.

NG >> Check differential lock control unit pin terminals for damage or loose connection with harness connector. If any item is damaged, repair or replace damaged parts.

## 4. CHECK DTC

Perform the self-diagnosis, after driving the vehicle for a while.

OK or NG

OK >> Inspection End.

NG >> Replace differential lock control unit. Refer to [RFD-113, "DIFFERENTIAL LOCK CONTROL UNIT"](#).

### Differential Lock Solenoid

EDS00300

#### CONSULT-II REFERENCE VALUE IN DATA MONITOR MODE

Data are reference value.

Monitor item	Content	Condition	Display value
RELAY ON [ON/OFF]	Operating condition of differential lock solenoid relay (integrated in differential lock control unit)	<ul style="list-style-type: none"> <li>● Vehicle stopped</li> <li>● Engine running</li> <li>● VDC OFF switch: ON (if equipped)</li> <li>● 4WD shift switch: 4LO</li> </ul> Differential lock mode switch: ON	ON
		Differential lock mode switch: OFF	OFF
RELAY MTR [ON/OFF]	Control status of differential lock solenoid relay (integrated in differential lock control unit)	<ul style="list-style-type: none"> <li>● Vehicle stopped</li> <li>● Engine running</li> <li>● VDC OFF switch: ON (if equipped)</li> <li>● 4WD shift switch: 4LO</li> </ul> Differential lock mode switch: ON	ON
		Differential lock mode switch: OFF	OFF
SOL MTR [ON/OFF]	Control status of differential lock solenoid	<ul style="list-style-type: none"> <li>● Vehicle stopped</li> <li>● Engine running</li> <li>● VDC OFF switch: ON (if equipped)</li> <li>● 4WD shift switch: 4LO</li> </ul> Differential lock mode switch: ON	ON
		Differential lock mode switch: OFF	OFF

#### DIFFERENTIAL LOCK CONTROL UNIT TERMINALS AND REFERENCE VALUE

Data are reference value and are measured between each terminal and ground.

Terminal	Wire color	Item	Condition	Data (Approx.)
11	GR	Differential lock solenoid (-)	<ul style="list-style-type: none"> <li>● Vehicle stopped</li> <li>● Engine running</li> <li>● VDC OFF switch: ON (if equipped)</li> <li>● 4WD shift switch: 4LO</li> </ul> Differential lock mode switch: ON	0V
			Differential lock mode switch: OFF	Battery voltage
12	L	Differential lock solenoid (+)	<ul style="list-style-type: none"> <li>● Vehicle stopped</li> <li>● Engine running</li> <li>● VDC OFF switch: ON (if equipped)</li> <li>● 4WD shift switch: 4LO</li> </ul> Differential lock mode switch: ON	Battery voltage
			Differential lock mode switch: OFF	0V

**CAUTION:**

When using a circuit tester to measure voltage for inspection, be sure not to extend forcibly any connector terminals.

# TROUBLE DIAGNOSIS FOR SYSTEM [M226 WITH ELECTRONIC LOCKING DIFFERENTIAL]

## DIAGNOSTIC PROCEDURE

### 1. CHECK DIFFERENTIAL SOLENOID SIGNAL

#### Ⓜ With CONSULT-II

1. Start engine.
2. Select "DATA MONITOR" mode for "DIFF LOCK" with CONSULT-II.
3. Read out ON/OFF switching action of "RELAY ON", "RELAY MTR", "SOL MTR".

Monitor item	Condition		Display value
RELAY ON	<ul style="list-style-type: none"> <li>● Vehicle stopped</li> <li>● Engine running</li> <li>● VDC OFF switch: ON (if equipped)</li> <li>● 4WD shift switch: 4LO</li> </ul>	Differential lock mode switch: ON	ON
		Differential lock mode switch: OFF	OFF
RELAY MTR		Differential lock mode switch: ON	ON
		Differential lock mode switch: OFF	OFF
SOL MTR	Differential lock mode switch: ON	ON	
	Differential lock mode switch: OFF	OFF	

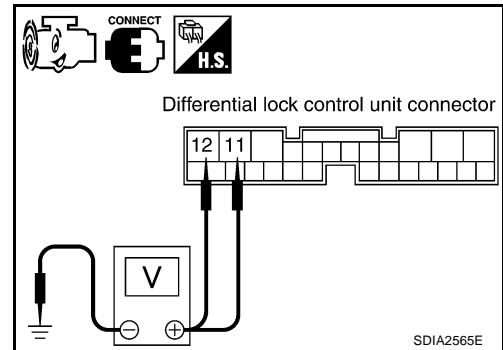
DATA MONITOR	
MONITOR	NO DTC
RELAY ON	OFF
RELAY MTR	OFF
SOL MTR	OFF

SDIA2539E

#### ⓧ Without CONSULT-II

1. Start engine.
2. Check voltage between differential lock control unit harness connector terminal and ground.

Connector	Terminal	Condition		Data (Approx.)
M70	11 - Ground	<ul style="list-style-type: none"> <li>● Vehicle stopped</li> <li>● Engine running</li> <li>● VDC OFF switch: ON (if equipped)</li> <li>● 4WD shift switch: 4LO</li> </ul>	Differential lock mode switch: ON	0V
			Differential lock mode switch: OFF	Battery voltage
	12 - Ground		Differential lock mode switch: ON	Battery voltage
			Differential lock mode switch: OFF	0V



OK or NG

- OK    >> GO TO 6.  
 NG    >> GO TO 2.

# TROUBLE DIAGNOSIS FOR SYSTEM [M226 WITH ELECTRONIC LOCKING DIFFERENTIAL]

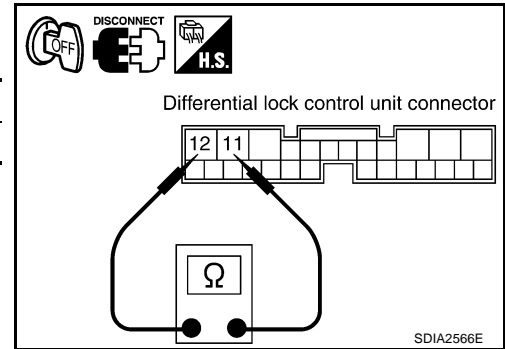
## 2. CHECK DIFFERENTIAL LOCK SOLENOID CIRCUIT

1. Turn ignition switch OFF.
2. Disconnect differential lock control unit harness connector.
3. Check resistance between differential lock control unit harness connector terminals 11 and 12.

Connector	Terminal	Resistance (Approx.)
M70	11 - 12	3.4 Ω

OK or NG

- OK >> GO TO 6.  
NG >> GO TO 3.



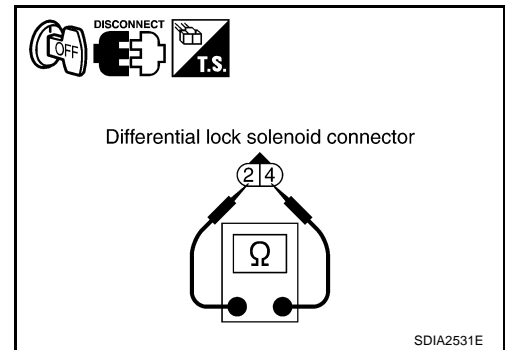
## 3. CHECK DIFFERENTIAL LOCK SOLENOID RESISTANCE

1. Disconnect differential lock solenoid harness connector.
2. Check resistance between differential lock solenoid terminals 2 and 4.

2 - 4 : Approx. 3.4Ω

OK or NG

- OK >> GO TO 4.  
NG >> Replace differential lock solenoid. Refer to [RFD-127](#), "[Differential Assembly](#)".



## 4. CHECK DIFFERENTIAL LOCK SOLENOID OPERATION

1. Check operation of differential lock solenoid by applying battery voltage to differential lock solenoid terminals.

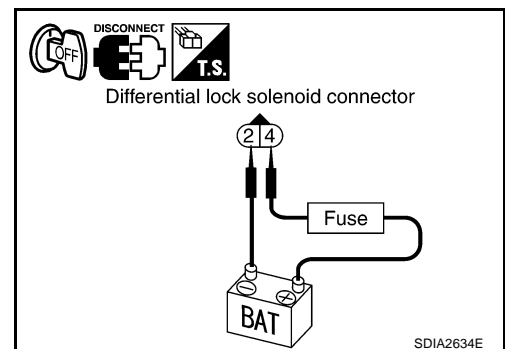
**CAUTION:**

**Be sure to apply the voltage of the correct polarity to the respective terminals. Otherwise, the part may be damaged.**

Terminal
4 (Battery voltage) - 2 (Ground)

Does solenoid operate?

- YES >> GO TO 5.  
NO >> Replace differential lock solenoid. Refer to [RFD-127](#), "[Differential Assembly](#)".



# TROUBLE DIAGNOSIS FOR SYSTEM [M226 WITH ELECTRONIC LOCKING DIFFERENTIAL]

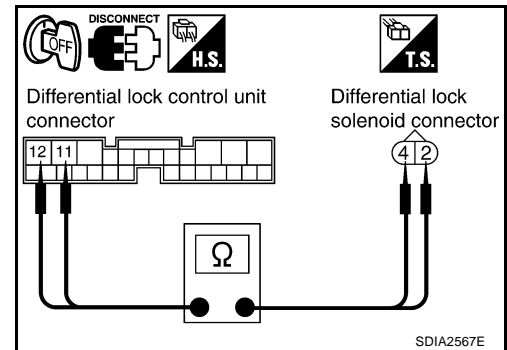
## 5. CHECK HARNESS BETWEEN DIFFERENTIAL LOCK CONTROL UNIT AND DIFFERENTIAL LOCK SOLENOID

1. Check continuity between the following terminals.
  - Differential lock control unit harness connector M70 terminal 11 and differential lock solenoid harness connector C117 terminal 4.
  - Differential lock control unit harness connector M70 terminal 12 and differential lock solenoid harness connector C117 terminal 2.

11 - 4 : Continuity should exist.

12 - 2 : Continuity should exist.

Also check harness for short to ground and short to power.



OK or NG

OK >> GO TO 6.

NG >> Repair or replace damaged parts.

## 6. CHECK DIFFERENTIAL LOCK CONTROL UNIT

Check differential lock control unit input/output signal. Refer to [RFD-85, "Differential Lock Control Unit Input/Output Signal Reference Values"](#).

OK or NG

OK >> GO TO 7.

NG >> Check differential lock control unit pin terminals for damage or loose connection with harness connector. If any items are damaged, repair or replace damaged parts.

## 7. CHECK DTC

Perform the self-diagnosis, after driving the vehicle for a while.

OK or NG

OK >> Inspection End.

NG >> Replace differential lock control unit. Refer to [RFD-113, "DIFFERENTIAL LOCK CONTROL UNIT"](#).



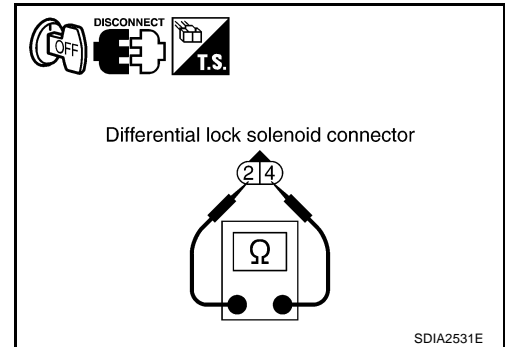
# TROUBLE DIAGNOSIS FOR SYSTEM [M226 WITH ELECTRONIC LOCKING DIFFERENTIAL]

## COMPONENT INSPECTION

1. Turn ignition switch OFF.
2. Disconnect differential lock solenoid harness connector.
3. Check resistance between differential lock solenoid terminals 2 and 4.

**2 - 4 : Approx. 3.4Ω**

4. If NG, replace differential lock solenoid. Refer to [RFD-127, "Differential Assembly"](#).



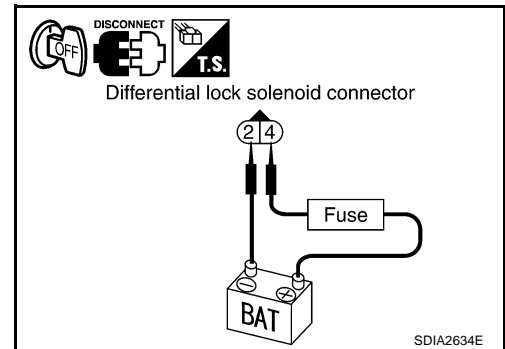
5. Check operation by applying battery voltage to differential lock solenoid terminals.

**CAUTION:**

**Be sure to apply the voltage of the correct polarity to the respective terminals. Otherwise, the part may be damaged.**

Terminal
4 (Battery voltage) - 2 (Ground)

6. If NG, replace differential lock solenoid.



EDS0030P

## ABS System DIAGNOSTIC PROCEDURE

### 1. CHECK DTC WITH ABS ACTUATOR AND ELECTRIC UNIT (CONTROL UNIT)

Perform self-diagnosis with ABS actuator and electric unit (control unit). Refer to [BRC-65, "SELF-DIAGNOSIS"](#) with ABL, [BRC-115, "SELF-DIAGNOSIS"](#) with VDC.

Is any malfunction detected by self-diagnosis?

- YES >> Check the malfunctioning system.
- NO >> GO TO 2.

### 2. CHECK DIFFERENTIAL LOCK CONTROL UNIT

Check differential lock control unit input/output signal. Refer to [RFD-85, "Differential Lock Control Unit Input/Output Signal Reference Values"](#).

OK or NG

- OK >> GO TO 3.
- NG >> Check differential lock control unit pin terminals for damage or loose connection with harness connector. If any items are damaged, repair or replace damaged parts.

### 3. CHECK DTC

Perform the self-diagnosis, after driving the vehicle for a while.

OK or NG

- OK >> Inspection End.
- NG >> Perform self-diagnosis with ABS actuator and electric unit (control unit) again. Refer to [BRC-65, "SELF-DIAGNOSIS"](#) (with ABL) or [BRC-115, "SELF-DIAGNOSIS"](#) (with VDC).

# TROUBLE DIAGNOSIS FOR SYSTEM [M226 WITH ELECTRONIC LOCKING DIFFERENTIAL]

EDS00300

## CAN Communication Line DIAGNOSTIC PROCEDURE

### 1. CHECK CAN COMMUNICATION CIRCUIT

#### Ⓟ With CONSULT-II

1. Turn ignition switch ON and start engine.
2. Select "SELF-DIAG RESULTS" mode for "DIFF LOCK" with CONSULT-II.
3. Perform the self-diagnosis.

Is the "CAN COMM CIRCUIT [U1000]" displayed?

- YES >> Go to [LAN-4, "Precautions When Using CONSULT-II"](#) .  
NO >> Inspection End.

SELF-DIAG RESULTS	
DTC RESULTS	TIME
CAN COMM CIRCUIT [U1000]	0
ERASE	PRINT

SDIA1850E

# TROUBLE DIAGNOSIS FOR SYMPTOMS [M226 WITH ELECTRONIC LOCKING DIFFERENTIAL]

PF0:00007

## TROUBLE DIAGNOSIS FOR SYMPTOMS

### DIFF LOCK Indicator Lamp Does Not Turn ON

EDS0030R

#### SYMPTOM:

DIFF LOCK indicator lamp does not turn ON for approx. 1 second when turning ignition switch to "ON".

#### DIAGNOSTIC PROCEDURE

### 1. CHECK SYSTEM FOR CAN COMMUNICATION LINE

Perform self-diagnosis. Refer to [RFD-88, "SELF-DIAG RESULTS MODE"](#).

Is "CAN COMM CIRCUIT" displayed?

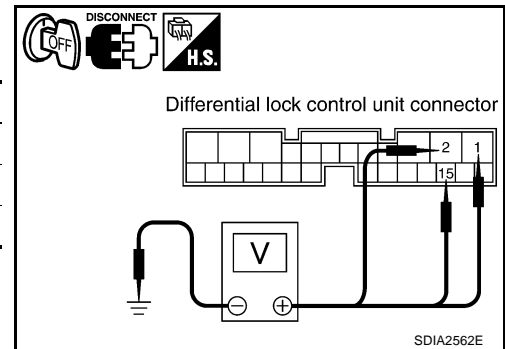
YES >> Perform trouble diagnosis for CAN communication line. Refer to [RFD-106, "CAN Communication Line"](#)

NO >> GO TO 2.

### 2. CHECK DIFFERENTIAL LOCK CONTROL UNIT POWER SUPPLY

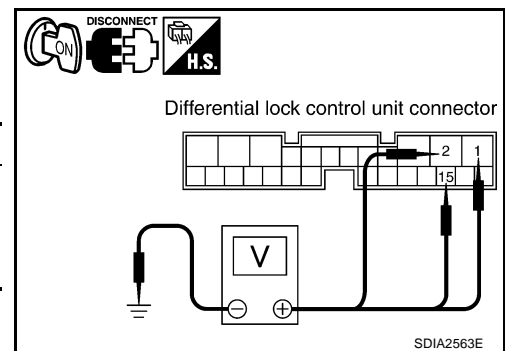
1. Turn ignition switch OFF.
2. Disconnect differential lock control unit harness connector.
3. Check voltage between differential lock control unit harness connector terminals and ground.

Connector	Terminal	Voltage (Approx.)
M70	1 - Ground	0V
	2 - Ground	0V
	15 - Ground	Battery voltage



4. Turn ignition switch ON. (Do not start engine.)
5. Check voltage between differential lock control unit harness connector terminals and ground.

Connector	Terminal	Voltage (Approx.)
M70	1 - Ground	Battery voltage
	2 - Ground	
	15 - Ground	



#### OK or NG

OK >> GO TO 3.

NG >> Check the following. If any items are damaged, repair or replace damaged parts.

- 10A fuse [No. 3 or 19, located in fuse block (J/B)]
- Harness for short or open between battery and differential lock control unit harness connector terminal 15
- Harness for short or open between ignition switch and differential lock control unit harness connector terminals 1 and 2
- Battery and ignition switch. Refer to [PG-4, "POWER SUPPLY ROUTING CIRCUIT"](#).

## TROUBLE DIAGNOSIS FOR SYMPTOMS [M226 WITH ELECTRONIC LOCKING DIFFERENTIAL]

### 3. CHECK DIFFERENTIAL LOCK CONTROL UNIT GROUND CIRCUIT

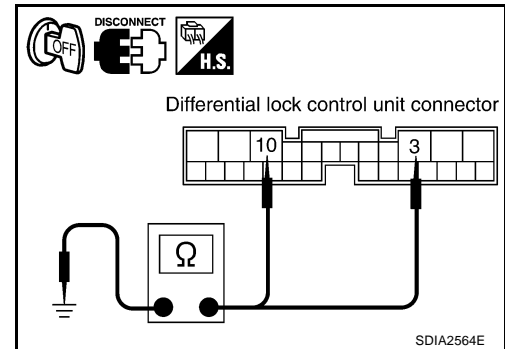
1. Turn ignition switch OFF.
2. Check continuity between differential lock control unit harness connector M70 terminals 3, 10 and ground.

**Continuity should exist.**

Also check harness for short to ground and short to power.

OK or NG

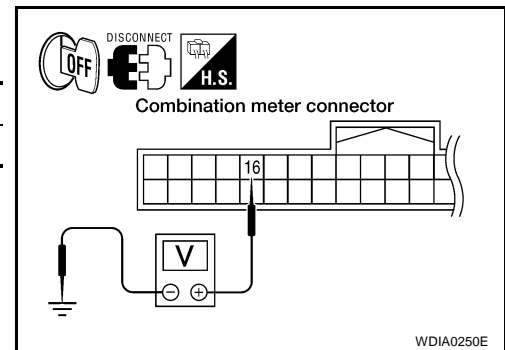
- OK >> GO TO 4.  
 NG >> Repair open circuit or short to ground or short to power in harness or connectors.



### 4. CHECK COMBINATION METER POWER SUPPLY CIRCUIT

1. Disconnect combination meter harness connector.
2. Check voltage between combination meter harness connector terminal 16 and ground

Connector	Terminal	Voltage (Approx.)
M24	16 - Ground	0V

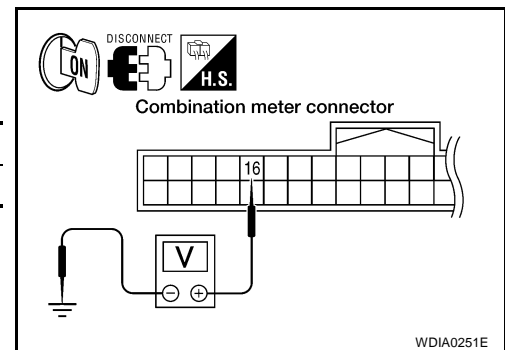


3. Turn ignition switch ON. (Do not start engine.)
4. Check voltage between combination meter harness connector terminal 16 and ground.

Connector	Terminal	Voltage (Approx.)
M24	16 - Ground	Battery voltage

OK or NG

- OK >> GO TO 5.  
 NG >> Check the following. If any items are damaged, repair or replace damaged parts.
- 10A fuse [No.14, located in the fuse block (J/B)]
  - Harness for short or open between ignition switch and combination meter harness connector terminal 16.
  - Ignition switch. Refer to [PG-4, "POWER SUPPLY ROUTING CIRCUIT"](#).



## TROUBLE DIAGNOSIS FOR SYMPTOMS [M226 WITH ELECTRONIC LOCKING DIFFERENTIAL]

### 5. CHECK HARNESS BETWEEN DIFFERENTIAL LOCK CONTROL UNIT AND COMBINATION METER

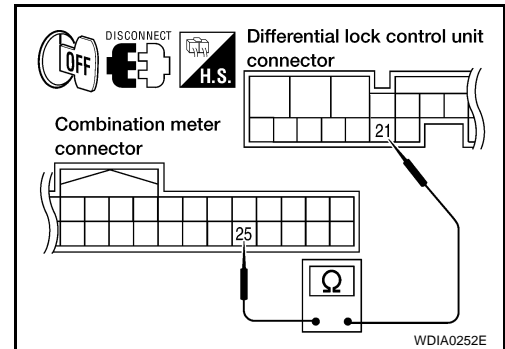
1. Turn ignition switch OFF.
2. Check continuity between differential lock control unit harness connector M70 terminal 21 and combination meter harness connector M24 terminal 25.

**Continuity should exist.**

Also check harness for short to ground and short to power.

OK or NG

- OK >> GO TO 6.  
NG >> Repair or replace damaged parts.



### 6. CHECK DIFF LOCK INDICATOR LAMP CIRCUIT

1. Turn ignition switch OFF.
2. Check combination meter. Refer to [DI-7, "Combination Meter"](#).

OK or NG

- OK >> GO TO 7.  
NG >> Replace combination meter. Refer to [IP-10, "INSTRUMENT PANEL ASSEMBLY"](#).

### 7. CHECK SYMPTOM

Check again.

OK or NG

- OK >> Inspection End.  
NG >> GO TO 8.

### 8. CHECK DIFFERENTIAL LOCK CONTROL UNIT

Check differential lock control unit input/output signal. Refer to [RFD-85, "Differential Lock Control Unit Input/Output Signal Reference Values"](#).

OK or NG

- OK >> Inspection End.  
NG >> Check differential lock control unit pin terminals for damage or loose connection with harness connector. If any items are damaged, repair or replace damaged parts.

# TROUBLE DIAGNOSIS FOR SYMPTOMS

## [M226 WITH ELECTRONIC LOCKING DIFFERENTIAL]

EDS0030S

### DIFF LOCK Indicator Lamp Does Not Change

#### SYMPTOM:

DIFF LOCK indicator lamp does not change when turning differential lock mode switch to "ON" after engine start.

#### DIAGNOSTIC PROCEDURE

#### 1. CHECK DIFF LOCK INDICATOR LAMP

---

Confirm DIFF LOCK indicator lamp when ignition switch is turned to ON.

Does DIFF LOCK indicator lamp turn on?

YES >> GO TO 2.

NO >> Go to [RFD-107, "DIFF LOCK Indicator Lamp Does Not Turn ON"](#) .

#### 2. CHECK SELF-DIAGNOSTIC RESULTS

---

Perform self-diagnosis. Refer to [RFD-88, "SELF-DIAG RESULTS MODE"](#) .

Is any malfunction detected by self-diagnosis?

YES >> Check the malfunctioning system.

NO >> GO TO 3.

#### 3. CHECK SYSTEM FOR DIFFERENTIAL LOCK MODE SWITCH

---

Perform trouble diagnosis for differential lock mode switch system. Refer to [RFD-93, "Differential Lock Mode Switch"](#) .

OK or NG

OK >> GO TO 4.

NG >> Repair or replace damaged parts.

#### 4. CHECK DIFF LOCK INDICATOR LAMP CIRCUIT

---

1. Turn ignition switch OFF.

2. Check combination meter. Refer to [DI-7, "Combination Meter"](#) .

OK or NG

OK >> GO TO 5.

NG >> Replace combination meter. Refer to [IP-10, "INSTRUMENT PANEL ASSEMBLY"](#) .

#### 5. CHECK SYMPTOM

---

Check again.

OK or NG

OK >> Inspection End.

NG >> GO TO 6.

#### 6. CHECK DIFFERENTIAL LOCK CONTROL UNIT

---

Check differential lock control unit input/output signal. Refer to [RFD-85, "Differential Lock Control Unit Input/Output Signal Reference Values"](#) .

OK or NG

OK >> Inspection End.

NG >> Check differential lock control unit pin terminals for damage or loose connection with harness connector. If any items are damaged, repair or replace damaged parts.

# TROUBLE DIAGNOSIS FOR SYMPTOMS

## [M226 WITH ELECTRONIC LOCKING DIFFERENTIAL]

EDS0030T

### DIFF LOCK Indicator Lamp Sometimes Flashes

#### SYMPTOM:

DIFF LOCK indicator lamp sometimes flashes when it turns ON or OFF during driving.

#### DIAGNOSTIC PROCEDURE

#### 1. CHECK DIFF LOCK INDICATOR LAMP

Confirm DIFF LOCK indicator lamp when ignition switch is turned to ON.

Does DIFF LOCK indicator lamp turn on?

YES >> GO TO 2.

NO >> Go to [RFD-107, "DIFF LOCK Indicator Lamp Does Not Turn ON"](#) .

#### 2. CHECK SELF-DIAGNOSTIC RESULTS

Perform self-diagnosis. Refer to [RFD-88, "SELF-DIAG RESULTS MODE"](#) .

Is any malfunction detected by self-diagnosis?

YES >> Check the malfunctioning system.

NO >> GO TO 3.

#### 3. CHECK SYSTEM FOR DIFFERENTIAL LOCK MODE SWITCH

Perform trouble diagnosis for differential lock mode switch system. Refer to [RFD-93, "Differential Lock Mode Switch"](#) .

OK or NG

OK >> GO TO 4.

NG >> Repair or replace damaged parts.

#### 4. CHECK SYSTEM FOR DIFFERENTIAL POSITION SWITCH

Perform trouble diagnosis for differential lock position switch system. Refer to [RFD-97, "Differential Lock Position Switch"](#) .

OK or NG

OK >> GO TO 5.

NG >> Repair or replace damaged parts.

#### 5. CHECK SYMPTOM

Check again.

OK or NG

OK >> Inspection End.

NG >> GO TO 6.

#### 6. CHECK DIFFERENTIAL LOCK CONTROL UNIT

Check differential lock control unit input/output signal. Refer to [RFD-85, "Differential Lock Control Unit Input/Output Signal Reference Values"](#) .

OK or NG

OK >> GO TO 7.

NG >> Check differential lock control unit pin terminals for damage or loose connection with harness connector. If any items are damaged, repair or replace damaged parts.

**TROUBLE DIAGNOSIS FOR SYMPTOMS**  
**[M226 WITH ELECTRONIC LOCKING DIFFERENTIAL]**

---

**7. CHECK DIFFERENTIAL INNER PARTS**

---

1. Disassemble rear final drive assembly. Refer to [RFD-123, "Disassembly and Assembly"](#) .
2. Check differential inner parts.

OK or NG

- OK     >> Inspection End.  
NG     >> Repair or replace damaged parts.



# DIFFERENTIAL LOCK CONTROL UNIT

## [M226 WITH ELECTRONIC LOCKING DIFFERENTIAL]

### DIFFERENTIAL LOCK CONTROL UNIT

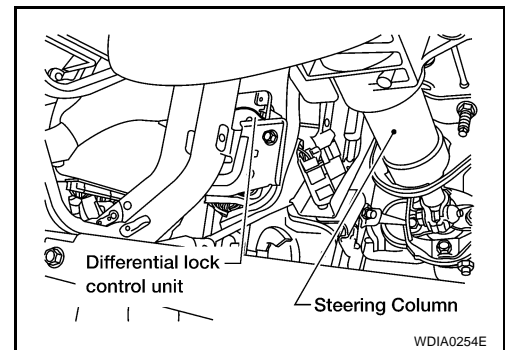
PFP:28496

#### Removal and Installation

EDS0030U

#### REMOVAL

1. Disconnect the battery cable from the negative terminal.
2. Disconnect the differential lock control unit connector.
3. Remove the two bolts and remove the differential lock control unit.



#### INSTALLATION

Installation is in the reverse order of removal.

- When installing differential lock control unit, tighten bolts to the specified torque.

**Differential lock control unit bolts : 5.1 N-m (0.52 kg-m, 45 in-lb)**

A

B

C

RFD

E

F

G

H

I

J

K

L

M

# DIFFERENTIAL LOCK POSITION SWITCH

## [M226 WITH ELECTRONIC LOCKING DIFFERENTIAL]

### DIFFERENTIAL LOCK POSITION SWITCH

PFP:28496

#### Removal and Installation

##### REMOVAL

EDS003AX

##### Differential Lock Position Switch

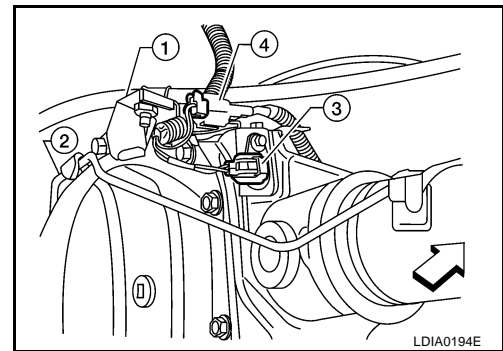
##### CAUTION:

- Be careful not to damage spline, companion flange and front oil seal when removing propeller shaft.
- Before removing final drive assembly or rear axle assembly, disconnect ABS sensor harness connector from the assembly and move it away from final drive/rear axle assembly area. Failure to do so may result in sensor wires being damaged and sensor becoming inoperative.

1. Drain rear final drive gear oil. Refer to [RFD-77, "DRAINING"](#).
2. Remove rear propeller shaft. Refer to [PR-10, "Removal and Installation"](#).
  - Plug rear end of transfer.
3. Remove both RH and LH axle shafts. Refer to [RAX-19, "Removal and Installation"](#).
4. Remove the rear stabilizer bar. Refer to [RSU-11, "Removal and Installation"](#).
5. Disconnect the following components from the rear final drive.

- ← : Vehicle front
- Parking brake cable (1)
- Brake hoses and tubes (2)
- Differential lock position switch connector (4)

6. Remove the bolt from the differential lock solenoid (3) and remove the solenoid from the axle housing.

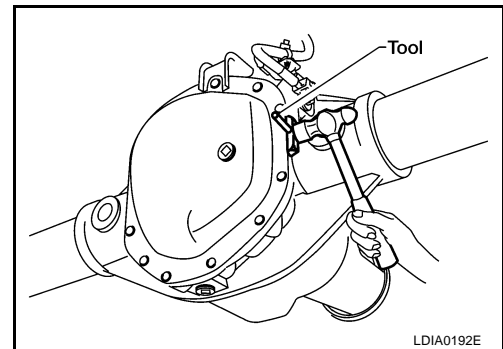


7. Remove the carrier cover bolts. Then separate the carrier cover from the axle housing using Tool.

**Tool number** : KV10111100 (J-37228)

##### CAUTION:

- Be careful not to damage the mating surface.
- Do not insert flat-bladed screwdriver, this will damage the mating surface.

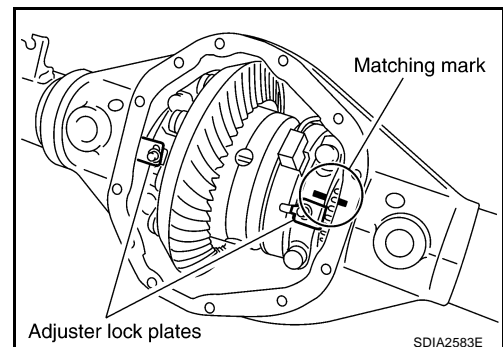


8. For installation, apply a paint matching mark on one side of side bearing cap.

##### CAUTION:

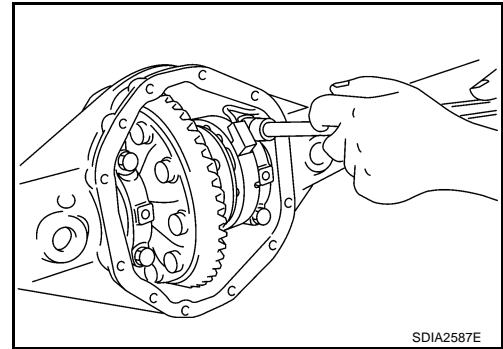
- Side bearing caps are line-board for initial assembly. The matching marks are used to install them in their original positions.
- For matching mark, use paint. Do not damage side bearing cap.

9. Remove adjuster lock plates.



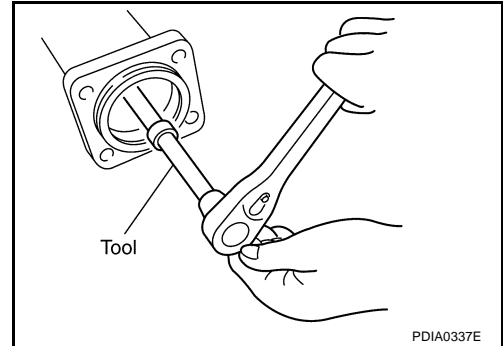
# DIFFERENTIAL LOCK POSITION SWITCH [M226 WITH ELECTRONIC LOCKING DIFFERENTIAL]

10. Remove side bearing caps.

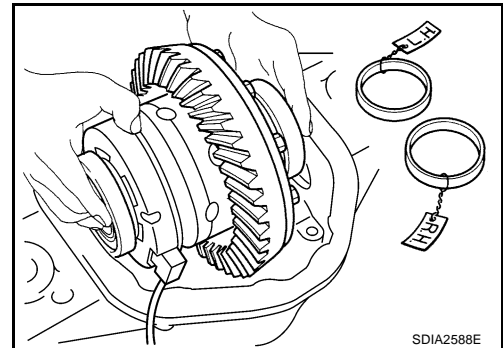


11. Loosen the side bearing adjusters using Tool.

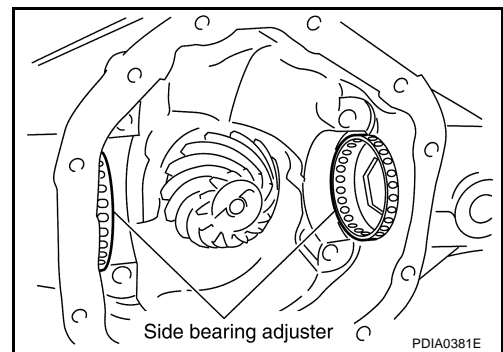
**Tool number : — (C - 4164)**



12. Keep side bearing outer races together with inner races. Do not mix them up. Also, keep side bearing adjusters together with bearing.



13. Remove side bearing adjusters from axle housing.



14. Remove the differential lock position switch harness from the bracket.

15. Remove differential lock position switch.

## INSTALLATION

1. Apply sealant to threads of differential lock position switch and install it to the axle housing with the specified torque. Refer to [RFD-123, "COMPONENTS"](#).

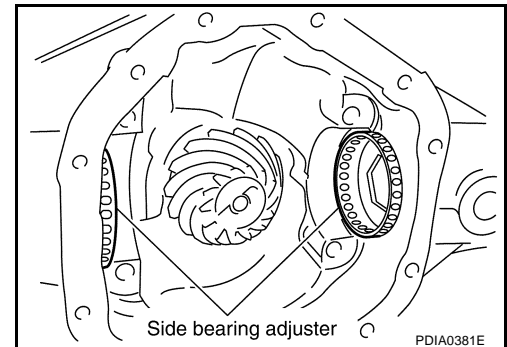
- Use Genuine Silicone RTV or equivalent. Refer to [GI-46, "Recommended Chemical Products and Sealants"](#).

## DIFFERENTIAL LOCK POSITION SWITCH [M226 WITH ELECTRONIC LOCKING DIFFERENTIAL]

### CAUTION:

Remove old sealant adhering to axle housing and differential lock position switch. Also remove any moisture, oil, or foreign material adhering to application and axle housing and differential lock position switch.

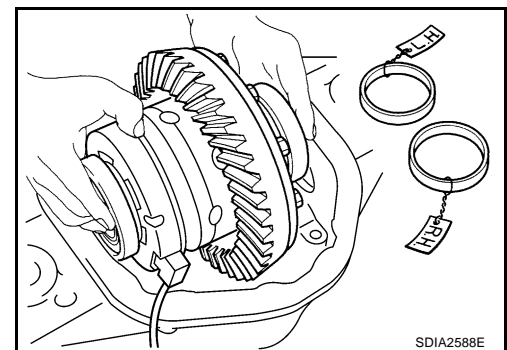
2. Install differential lock position switch harness to the bracket on axle housing.
3. Install side bearing adjusters into axle housing.



4. Apply gear oil to side bearings. Install differential case assembly with side bearing outer races into axle housing.
5. Apply multi-purpose grease to differential lock position connector.

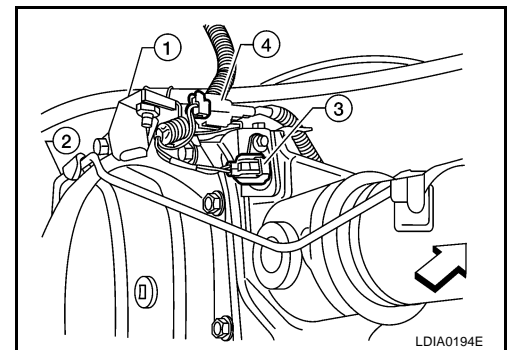
### CAUTION:

Do not reuse sensor connector.



- ⇐: Front

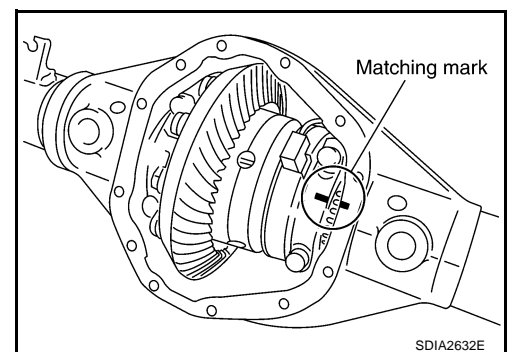
6. Install the differential lock solenoid (3) to axle housing and tighten bolt with specified torque. Refer to [RFD-123, "COMPONENTS"](#).
7. Connect the differential lock position switch connector (4).



8. Align paint matching mark on side bearing caps with that on axle housing and install side bearing caps on axle housing without tightening to specification.

### CAUTION:

Do not tighten at this point. This allows further tightening of side bearing adjusters.

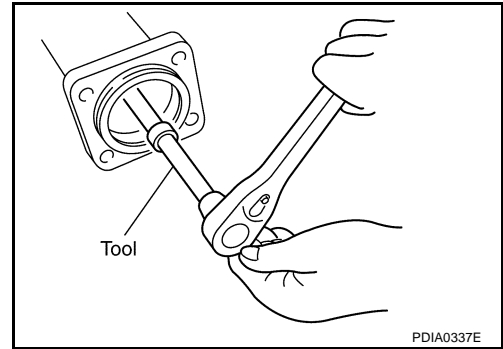


## DIFFERENTIAL LOCK POSITION SWITCH [M226 WITH ELECTRONIC LOCKING DIFFERENTIAL]

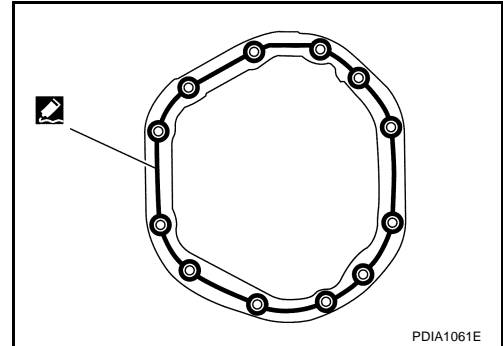
9. Tighten each side bearing adjusters using adjuster tool.

**Tool number** : — (C - 4164)

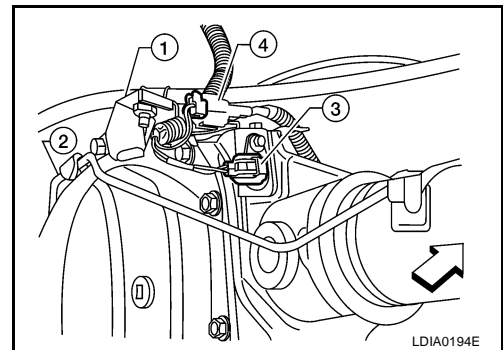
10. Adjusting backlash of drive gear and drive pinion. Refer to [RFD-125, "Backlash"](#) .
11. Check total preload. Refer to [RFD-124, "Total Preload Torque"](#) .
12. Check tooth contact. Refer to [RFD-124, "Tooth Contact"](#) .



13. Apply sealant to mating surface of carrier cover.
- Use Genuine Silicone RTV or equivalent. Refer to [GI-46, "Recommended Chemical Products and Sealants"](#) .
- CAUTION:**  
Remove old sealant adhering to mounting surfaces. Also remove any moisture, oil, or foreign material adhering to application and mounting surfaces.
14. Install carrier cover on axle housing and tighten carrier cover bolts with the specified torque. Refer to [RFD-123, "COMPONENTS"](#) .



- ←: Front
15. Connect the brake tube (2) and parking brake cable (4) to the carrier cover and tighten to the specified torque. Refer to [RFD-123, "COMPONENTS"](#) .
16. Install the rear stabilizer bar. Refer to [RSU-11, "Removal and Installation"](#) .
17. Install both RH and LH axle shafts. Refer to [RAX-21, "INSTALLATION"](#) .
18. Install propeller shaft. Refer to [PR-12, "INSTALLATION"](#) .
19. Refill rear final drive oil. Refer to [RFD-77, "FILLING"](#) .



A  
B  
C  
RFD  
E  
F  
G  
H  
I  
J  
K  
L  
M

# FRONT OIL SEAL [M226 WITH ELECTRONIC LOCKING DIFFERENTIAL]

PFP:38189

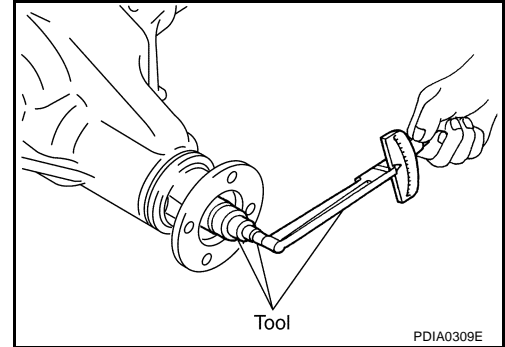
EDS0030V

## FRONT OIL SEAL

### Removal and Installation REMOVAL

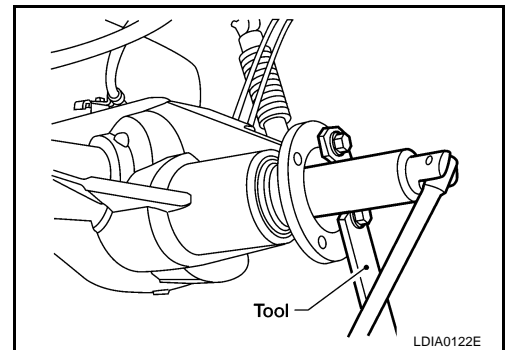
1. Remove the rear propeller shaft. Refer to [PR-10, "Removal and Installation"](#) .
2. Remove the brake calipers and rotors. Refer to [BR-29, "Removal and Installation of Brake Caliper and Disc Rotor"](#) .
3. Rotate the pinion three or four times using Tool and record the rotating torque.

**Tool number** : ST3127S000 (J-25765-A)



4. Remove the drive pinion lock nut, using Tool.

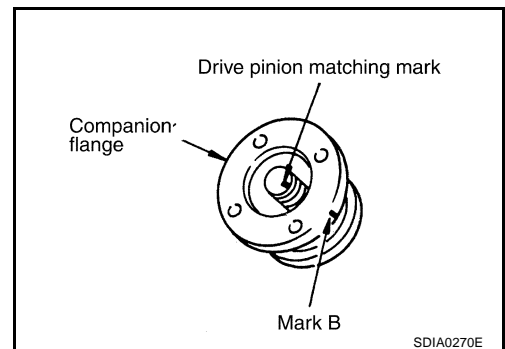
**Tool number** : KV40104000 ( — )



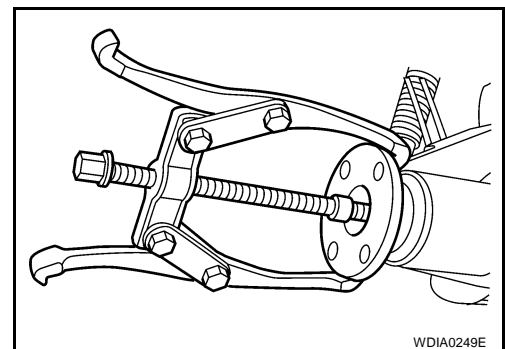
5. Put a matching mark on the end of the drive pinion in line with the matching mark B on the companion flange.

**CAUTION:**

**Use paint to make the matching mark on the drive pinion.  
Do not damage the companion flange or drive pinion.**



6. Remove the companion flange using suitable tool.

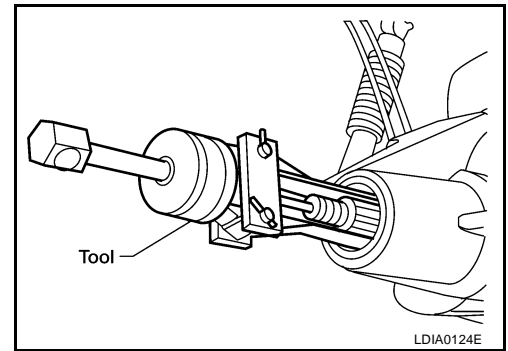


## FRONT OIL SEAL [M226 WITH ELECTRONIC LOCKING DIFFERENTIAL]

7. Remove the front oil seal using Tool.

**Tool number** : ST33290001 (J-34286)

**CAUTION:**  
Do not damage axle housing.



A  
B  
C

RFD

E  
F  
G  
H  
I  
J  
K  
L  
M

# FRONT OIL SEAL [M226 WITH ELECTRONIC LOCKING DIFFERENTIAL]

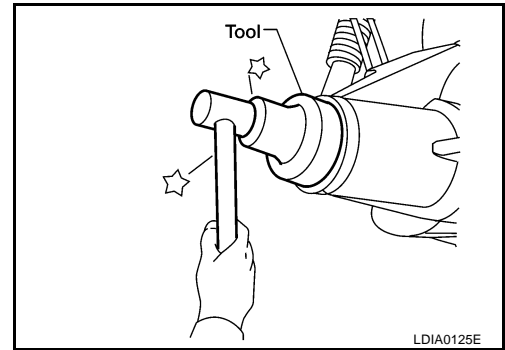
## INSTALLATION

1. Apply multi-purpose grease to the new oil seal lips, and gear oil onto the circumference of the new oil seal. Install the new front oil seal into the axle housing using Tool.

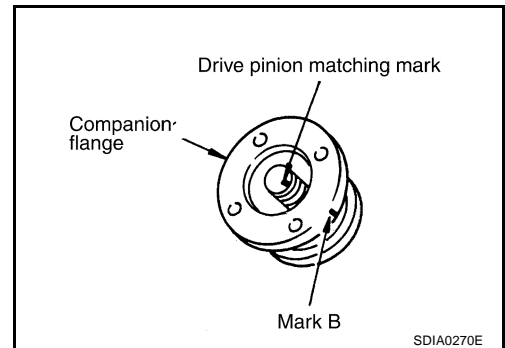
**Tool number** : ST15310000 ( — )

### CAUTION:

- Do not reuse oil seal.
- Do not incline oil seal when installing.
- Apply multi-purpose grease onto oil seal lips, and gear oil onto the circumference of oil seal.



2. Align the matching mark of the drive pinion with the matching mark B of the companion flange, then install the companion flange.

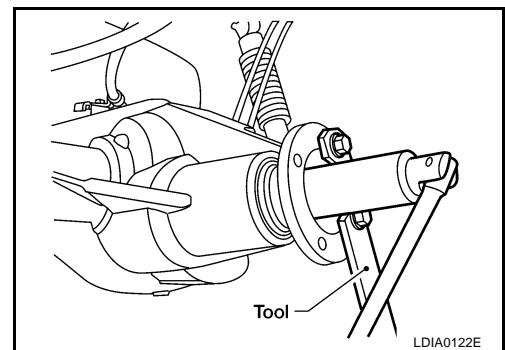


3. Install the new washer (if required), and new drive pinion nut. Tighten the nut until there is zero bearing end play using Tool.

**Tool number** : KV40104000 ( — )

### CAUTION:

**Do not reuse drive pinion nut and washer.**



4. Rotate the drive pinion using Tool. Rotating torque should be equal to the reading recorded in step 4 above during removal plus an additional 0.56 N·m (5 in-lb).

**Tool number** : ST3127S000 (J-25765-A)

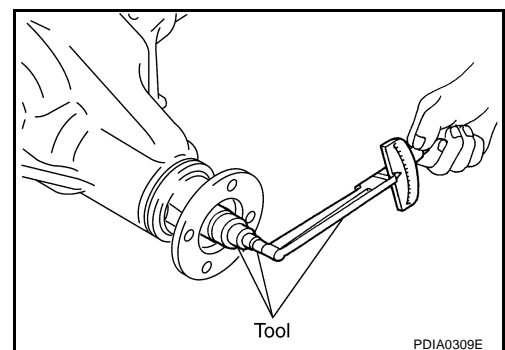
5. If the rotating torque is low, continue to tighten the drive pinion nut in 6.8 N·m (5 ft-lb) increments without overtightening. Refer to [RFD-123, "COMPONENTS"](#). Tighten until proper rotating torque is achieved.

### CAUTION:

- Do not loosen the drive pinion nut to decrease drive pinion rear bearing rotating torque.
- Do not exceed specified rotating preload torque. If preload torque or rotating torque is exceeded a new collapsible spacer must be installed.
- Do not exceed maximum tightening torque. If maximum tightening torque is reached prior to reaching the required rotating torque, the collapsible spacer may have been damaged. Replace the collapsible spacer.

6. Check the gear oil level. Refer to [RFD-77, "Checking Differential Gear Oil"](#).

7. Install the remaining components in the reverse order of removal.





# CARRIER COVER [M226 WITH ELECTRONIC LOCKING DIFFERENTIAL]

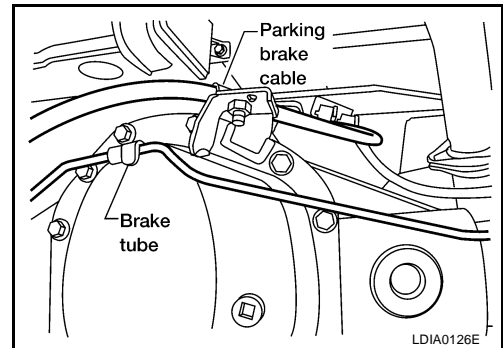
PFP:38351

## CARRIER COVER

### Removal and Installation

EDS0030W

1. Remove the drain plug and drain the gear oil. Refer to [RFD-77, "DRAINING"](#).
2. Disconnect the parking brake cable and brake tube from the carrier cover.

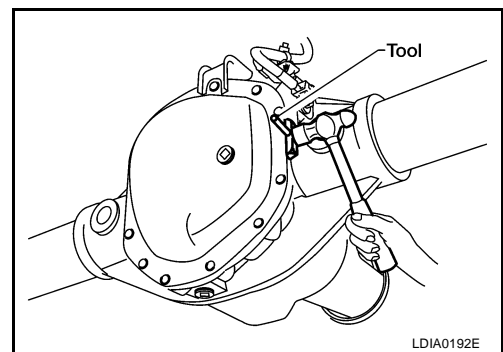


3. Remove the carrier cover bolts. Then separate the carrier cover from the axle housing using Tool.

**Tool number** : KV10111100 (J-37228)

#### **CAUTION:**

- Be careful not to damage the mating surface.
- Do not insert flat-bladed screwdriver, this will damage the mating surface.



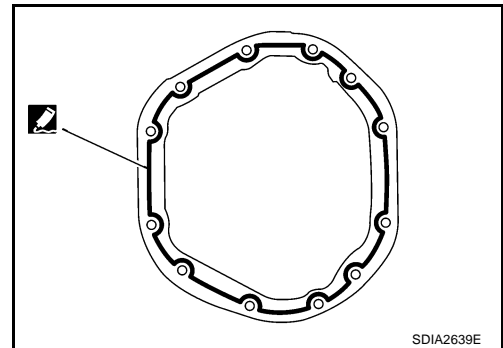
### INSTALLATION

1. Apply sealant to mating surface of carrier cover.
  - Use Genuine Silicone RTV or equivalent. Refer to [GI-46, "Recommended Chemical Products and Sealants"](#).

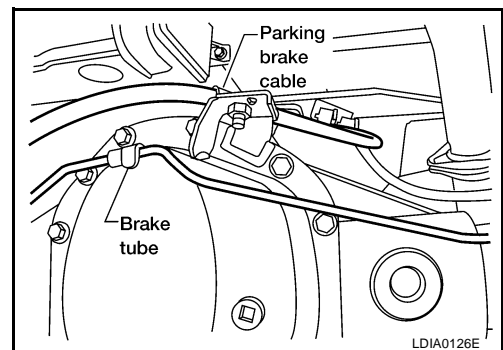
#### **CAUTION:**

Remove old sealant adhering to mounting surfaces. Also remove any moisture, oil, or foreign material adhering to application and mounting surfaces.

2. Install carrier cover on axle housing and tighten carrier cover bolts to the specified torque. Refer to [RFD-50, "COMPONENTS"](#).



3. Connect the brake tube and parking brake cable to the carrier cover and tighten to the specified torque. Refer to [PB-4, "Components"](#).
4. Fill with new gear oil until oil level reaches the specified limit near filler plug hole. Refer to [RFD-44, "Checking Differential Gear Oil"](#).



# REAR FINAL DRIVE ASSEMBLY [M226 WITH ELECTRONIC LOCKING DIFFERENTIAL]

## REAR FINAL DRIVE ASSEMBLY

PFP:38300

### Removal and Installation

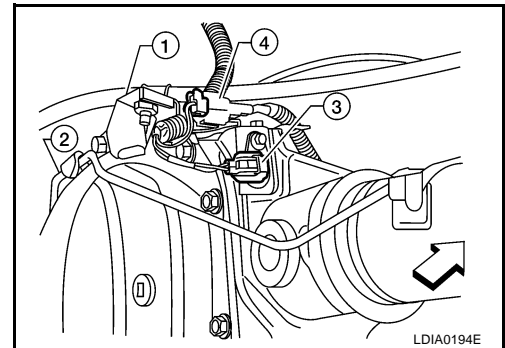
EDS0030X

#### REMOVAL

1. Drain the rear final drive gear oil. Refer to [RFD-77, "DRAINING"](#) .
2. Remove the rear propeller shaft. Refer to [PR-10, "Removal and Installation"](#) .
  - Plug rear end of transfer (4WD models only).
3. Remove the axle shafts, back plates and torque members. Refer to [RAX-19, "Removal and Installation"](#) .
4. Remove the stabilizer bar. Refer to [RSU-11, "Removal and Installation"](#) .
5. Disconnect the following components from the rear final drive.
  - ← : Vehicle front
  - ABS sensor wire harness
  - Parking brake cable (1)
  - Brake hoses and tubes (2)
  - Differential lock solenoid connector (3)
  - Differential lock position switch connector (4)

#### CAUTION:

Position the wire harnesses, cable and hoses away from the final drive assembly. Failure to do so may result in components being damaged during rear axle assembly removal.



6. Support the rear final drive using a suitable jack.
7. Remove rear shock absorber lower bolts. Refer to [RSU-7, "Removal and Installation"](#) .
8. Remove leaf spring U-bolt nuts. Refer to [RSU-8, "Removal and Installation"](#) .

#### WARNING:

Support the rear final drive assembly using suitable jack before removing leaf spring U-bolt nuts.

9. Remove rear final drive assembly using suitable jack.

#### INSTALLATION

Installation is in the reverse order of removal.

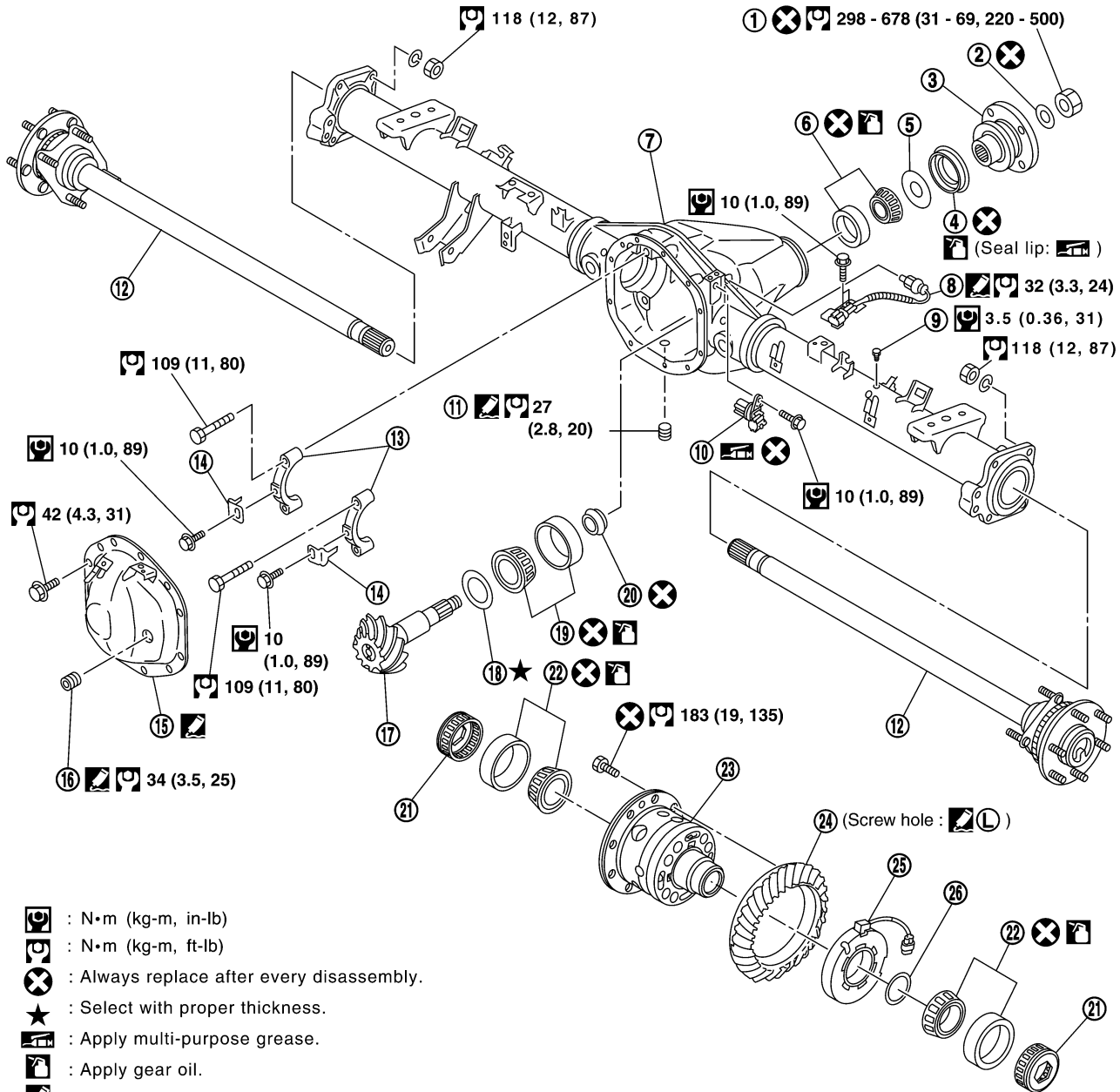
- Fill the rear final drive with new gear oil until oil level reaches the specified limit near the filler plug hole. Refer to [RFD-44, "Checking Differential Gear Oil"](#) .
- Refill brake fluid and bleed the air from the brake system. Refer to [BR-10, "Bleeding Brake System"](#) .

# REAR FINAL DRIVE ASSEMBLY [M226 WITH ELECTRONIC LOCKING DIFFERENTIAL]

EDS0030Y

## Disassembly and Assembly COMPONENTS

SEC.380



- : N·m (kg-m, in-lb)
- : N·m (kg-m, ft-lb)
- : Always replace after every disassembly.
- : Select with proper thickness.
- : Apply multi-purpose grease.
- : Apply gear oil.
- : Apply Genuine Silicone RTV or equivalent. Refer to GI Section.
- : Apply Genuine Medium Strength Thread Locking Sealant or equivalent. Refer to GI Section.

WDIA0113E

- |                                |                                      |  |
|--------------------------------|--------------------------------------|--|
| 1. Drive pinion nut            | 2. Drive pinion nut washer           | 3. Companion flange                      |
| 4. Front oil seal              | 5. Front bearing thrust washer       | 6. Drive pinion front bearing            |
| 7. Axle housing                | 8. Differential lock position switch | 9. Breather                              |
| 10. Sensor connector           | 11. Drain plug                       | 12. Axle shaft assembly                  |
| 13. Side bearing cap           | 14. Adjuster lock plate              | 15. Carrier cover                        |
| 16. Filler plug                | 17. Drive pinion                     | 18. Drive pinion height adjusting washer |
| 19. Drive pinion rear bearing  | 20. Collapsible spacer               | 21. Side bearing adjuster                |
| 22. Side bearing               | 23. Differential case assembly       | 24. Drive gear                           |
| 25. Differential lock solenoid | 26. Solenoid washer                  |  |

# REAR FINAL DRIVE ASSEMBLY [M226 WITH ELECTRONIC LOCKING DIFFERENTIAL]

## ASSEMBLY INSPECTION AND ADJUSTMENT

### Total Preload Torque

1. Turn drive pinion in both directions several times to set bearing rollers.
2. Check total preload using Tool.

**Tool number** : ST3127S000 (J-25765-A)

**Total preload** : 2.38 - 4.46 N·m (0.25 - 0.45 kg·m,  
(with oil seal) 21- 39 in·lb)

#### NOTE:

**Total preload torque = Pinion bearing torque + Side bearing torque**

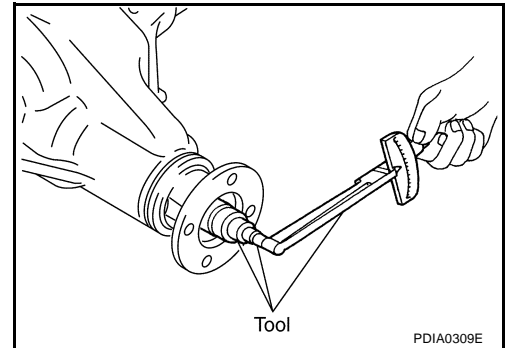
- If measured value is out of the specification, disassemble it to check and adjust each part. Adjust the pinion bearing preload and the side bearing preload. Adjust the pinion bearing preload first, then adjust the side bearing preload.

#### When the preload torque is greater than specification

- On pinion bearings:** Replace collapsible spacer.
- On side bearings:** Loosen side bearing adjuster.

#### When the preload torque is less than specification

- On pinion bearings:** Tighten drive pinion nut.
- On side bearings:** Tighten side bearing adjuster.



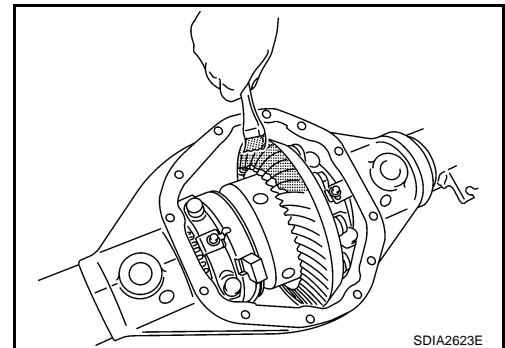
### Tooth Contact

Checking gear tooth contact pattern is necessary to verify correct relationship between drive gear and drive pinion. Gears which are not positioned in proper arrangement may be noisy and/or have a short life. Check gear tooth contact pattern to obtain the best contact for low noise and long life.

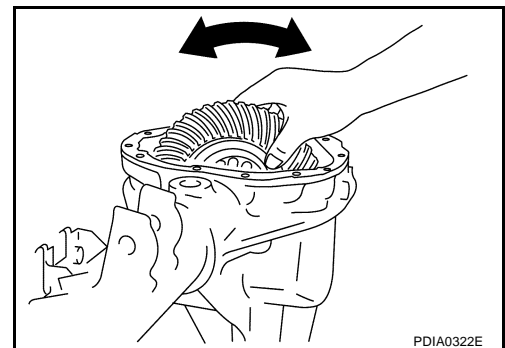
1. Remove rear cover. Refer to [RFD-127, "DISASSEMBLY"](#).
2. Thoroughly clean drive gear and drive pinion teeth.
3. Apply red lead to drive gear.

#### CAUTION:

Apply red lead to both the faces of 3 to 4 gears at 4 locations evenly spaced on drive gear.



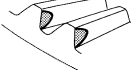
4. Hold companion flange steady by hand and rotate drive gear in both directions.



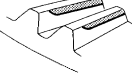
# REAR FINAL DRIVE ASSEMBLY [M226 WITH ELECTRONIC LOCKING DIFFERENTIAL]

Usually the pattern will be correct if washers are correctly calculated and the backlash is correct. However, in rare cases, trial and error processes may be employed to obtain a correct pattern. The tooth pattern is the best indication of how well a differential has been set up.

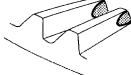
**Heel contact**



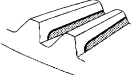
**Face contact**



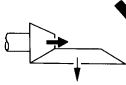
**Toe contact**



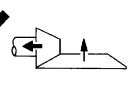
**Flank contact**

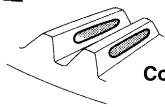


To correct, increase thickness of drive pinion height adjusting washer in order to bring drive pinion close to drive gear.



To correct, reduce thickness of drive pinion height adjusting washer in order to make drive pinion go away from drive gear.





**Correct tooth contact**

When adjustment is completed, be sure to wipe off completely the red lead and oil or their equivalent.

SDIA2591E

5. If outside the standard, adjust drive pinion height adjusting washer and backlash. Refer to [RFD-132, "Drive Pinion Height Adjusting Washer"](#) and [RFD-125, "Backlash"](#).

### Backlash

1. Remove rear cover. Refer to [RFD-127, "DISASSEMBLY"](#).
2. Check drive gear to drive pinion backlash using a dial indicator at several points.

**Drive gear to drive pinion backlash:**  
**0.08 - 0.13 mm (0.0031 - 0.0051 in)**

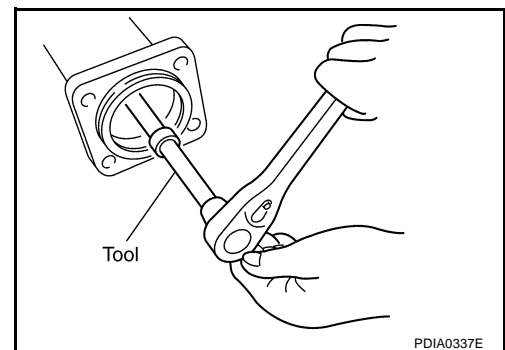
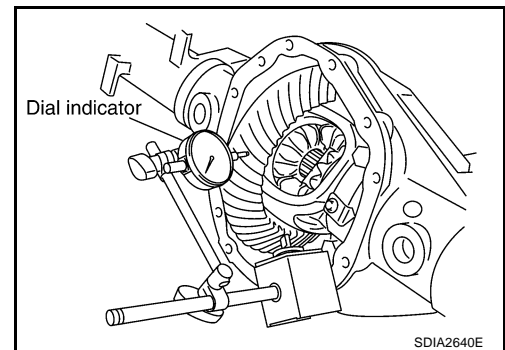
3. If outside the standard, adjust side bearing adjuster.

**CAUTION:**

**Check tooth contact and total preload after adjusting side bearing adjuster. Refer to [RFD-124, "Total Preload Torque"](#), [RFD-124, "Tooth Contact"](#).**

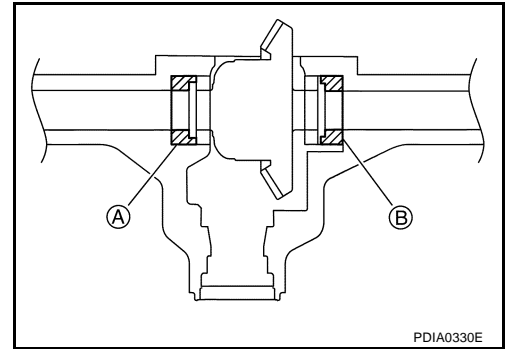
- a. Remove adjuster lock plate.
- b. Loosen side bearing cap bolts.
- c. Tighten or loosen each side bearing adjuster using Tool.

**Tool number : — (C - 4164)**



## REAR FINAL DRIVE ASSEMBLY [M226 WITH ELECTRONIC LOCKING DIFFERENTIAL]

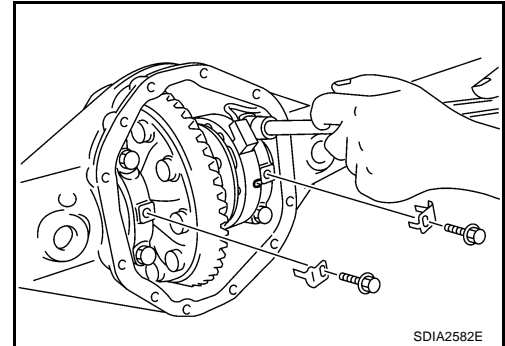
- d. In case of excessive backlash, loosen side bearing adjuster A and tighten side bearing adjuster B. In case of insufficient backlash, loosen side bearing adjuster B and tighten side bearing adjuster A.



- e. After adjusting backlash, tighten cap bolts to the specified torque. Refer to [RFD-123, "COMPONENTS"](#).
- f. Install adjuster lock plate and tighten to the specified torque. Refer to [RFD-123, "COMPONENTS"](#).

**CAUTION:**

**Install adjuster lock plate to grooving of differential lock solenoid.**



### Companion Flange Runout

1. Fit a dial indicator onto companion flange face (inner side of propeller shaft bolt holes).
2. Rotate companion flange to check for runout.

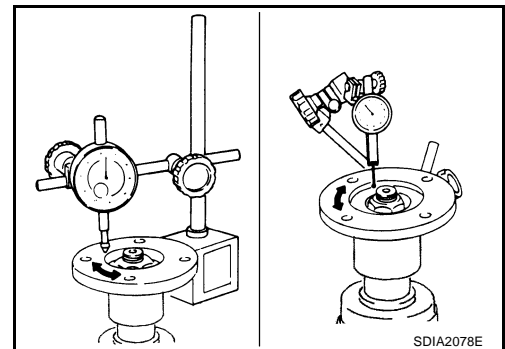
**Runout limit : 0.10 mm (0.0039 in) or less**

3. Fit a test indicator to the inner side of companion flange (socket diameter).
4. Rotate companion flange to check for runout.

**Runout limit : 0.13 mm (0.0051 in) or less**

5. If the runout value is outside the repair limit, follow the procedure below to adjust.

- a. Check for runout while changing the phase between companion flange and drive pinion by 90°, 180° and 270° and search for the point where the runout is the minimum.
- b. If the runout value is still outside of the limit after the phase has been changed, replace companion flange.
- c. If the runout value is still outside of the limit after companion flange has been replaced, check drive pinion bearing and drive pinion assembly.



# REAR FINAL DRIVE ASSEMBLY [M226 WITH ELECTRONIC LOCKING DIFFERENTIAL]

## DISASSEMBLY

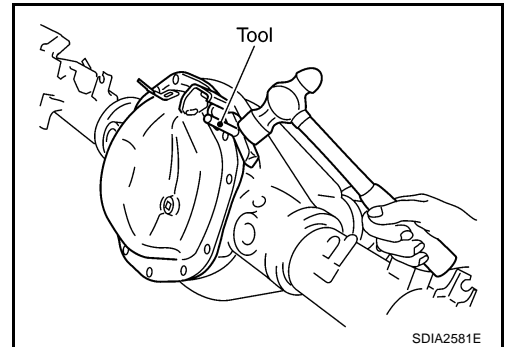
### Differential Assembly

1. Remove carrier cover bolts.
2. Separate the carrier cover from the axle housing using Tool.

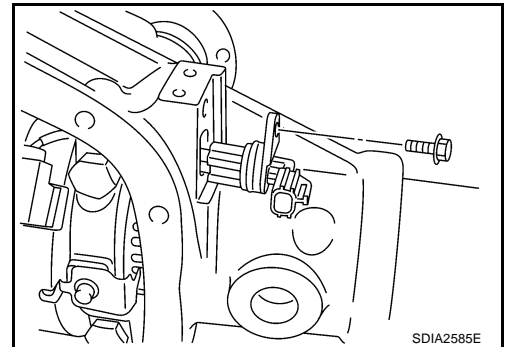
**Tool number** : KV10111100 (J-37228)

#### **CAUTION:**

- Be careful not to damage the mating surface.
- Do not insert flat-bladed screwdriver, this will damage the mating surface.



3. Remove differential sensor connector bolt and differential lock solenoid connector.

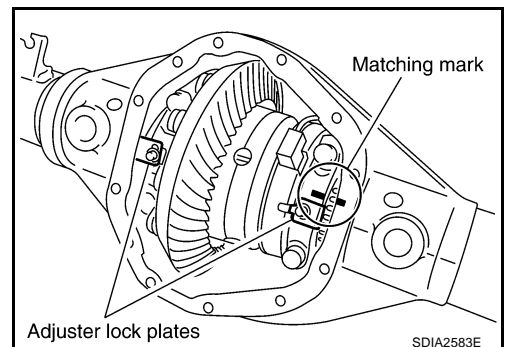


4. For proper reinstallation, paint matching mark on one side of side bearing cap.

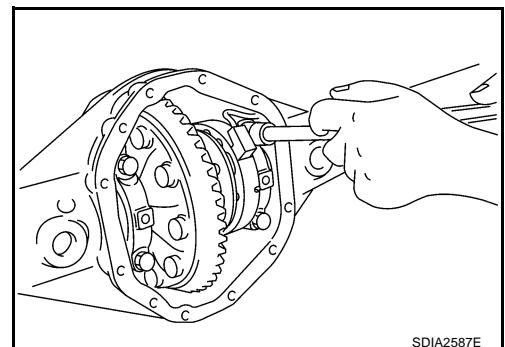
#### **CAUTION:**

- Side bearing caps are line-board for initial assembly. The matching marks are used to reinstall them in their original positions.
- For matching mark, use paint. Do not damage side bearing cap.

5. Remove adjuster lock plates.



6. Remove side bearing caps.

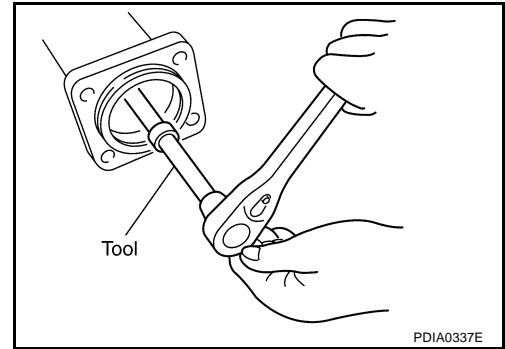


A  
B  
C  
RFD  
E  
F  
G  
H  
I  
J  
K  
L  
M

# REAR FINAL DRIVE ASSEMBLY [M226 WITH ELECTRONIC LOCKING DIFFERENTIAL]

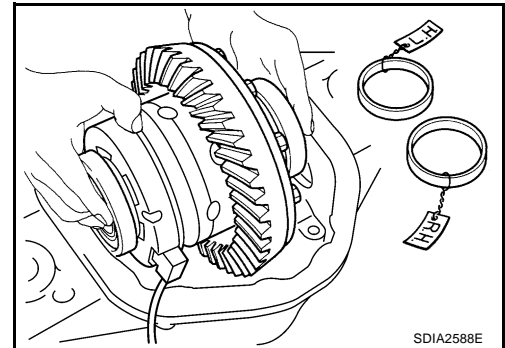
7. Remove side bearing adjusters using Tool.

**Tool number** : — (C - 4164)



8. Keep side bearing outer races together with inner races. Do not mix them up. Also, keep side bearing adjusters together with bearing.

9. Remove side bearing adjusters from axle housing.



10. Remove bracket of differential lock position switch connector and bolts.

11. Remove differential lock position switch.

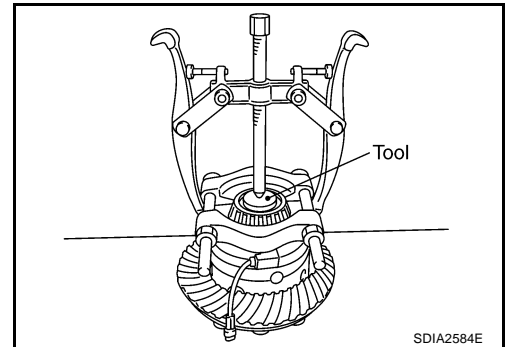
12. Remove side bearing inner race and washer using Tool.

**Tool number** : ST33081000 ( — )

**CAUTION:**

**Be careful not to damage differential case assembly and differential lock solenoid.**

13. Remove differential lock solenoid and solenoid washer.

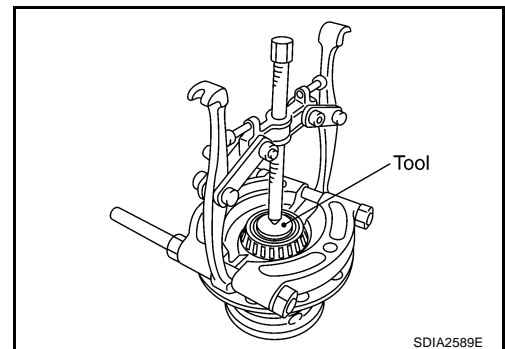


14. Remove side bearing inner race using Tool.

**Tool number** : ST33081000 ( — )

**CAUTION:**

**Be careful not to damage differential case assembly.**





# REAR FINAL DRIVE ASSEMBLY [M226 WITH ELECTRONIC LOCKING DIFFERENTIAL]

15. For proper reinstallation, paint matching mark on differential case assembly and drive gear.

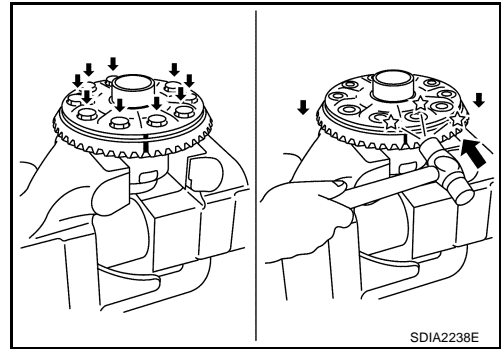
**CAUTION:**

**For matching mark, use paint. Do not damage differential case and drive gear.**

16. Remove drive gear bolts.
17. Tap drive gear off differential case assembly using suitable tool.

**CAUTION:**

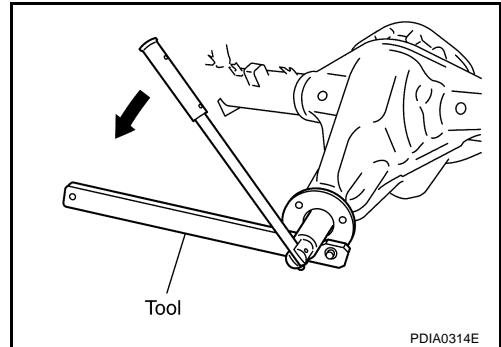
**Tap evenly all around to keep drive gear from binding.**



## Drive Pinion Assembly

1. Remove differential case assembly. Refer to [RFD-127, "Differential Assembly"](#).
2. Remove drive pinion nut and washer using Tool.

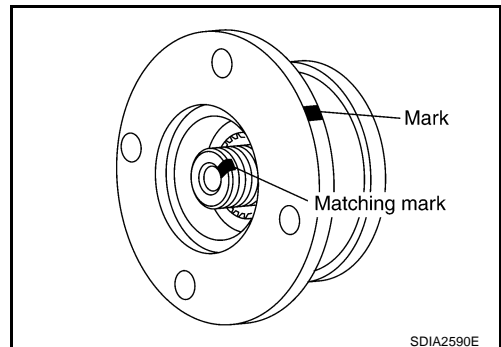
**Tool number : KV40104000 ( — )**



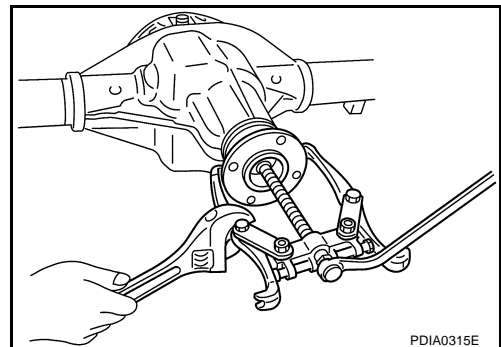
3. Put a matching mark on the thread edge of drive pinion. The mark should be in line with the mark on companion flange.

**CAUTION:**

**For matching mark, use paint. Do not damage drive pinion.**



4. Remove companion flange using suitable tool.



A  
B  
C  
RFD

E  
F  
G  
H  
I  
J  
K  
L  
M

## REAR FINAL DRIVE ASSEMBLY [M226 WITH ELECTRONIC LOCKING DIFFERENTIAL]

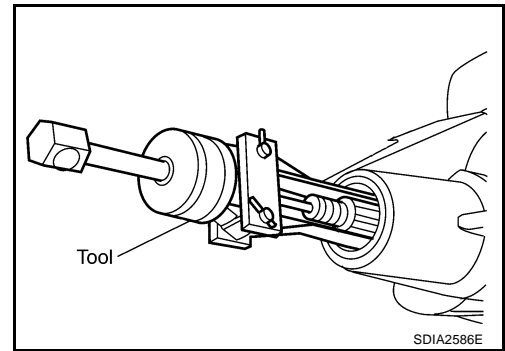
5. Remove front oil seal using Tool.

**Tool number** : ST33290001 (J-34286)

**CAUTION:**

**Be careful not to damage axle housing.**

6. Remove front bearing thrust washer.

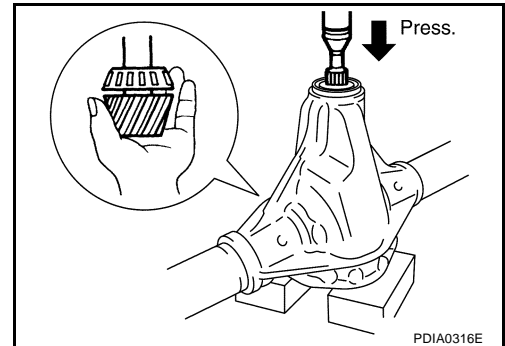


7. Remove drive pinion assembly and collapsible spacer from axle housing, using press.

**CAUTION:**

**Do not drop drive pinion assembly.**

8. Remove drive pinion front bearing inner race from axle housing.



9. Tap drive pinion front bearing outer race uniformly with a brass bar or equivalent to remove.

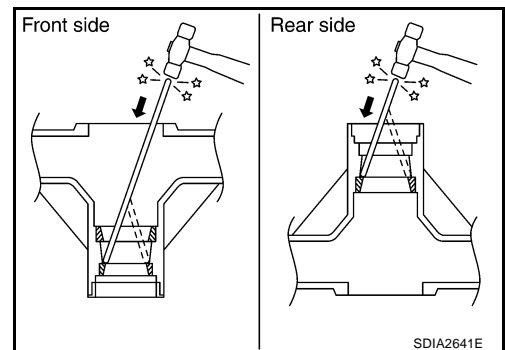
**CAUTION:**

**Be careful not to damage axle housing.**

10. Tap drive pinion rear bearing outer race uniformly with a brass bar or equivalent for removal.

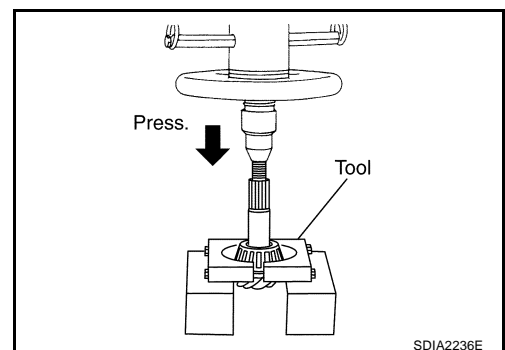
**CAUTION:**

**Be careful not to damage axle housing.**



11. Remove drive pinion rear bearing inner race and drive pinion height adjusting washer using Tool.

**Tool number** : ST30021000 (J-22912-01)



# REAR FINAL DRIVE ASSEMBLY

## [M226 WITH ELECTRONIC LOCKING DIFFERENTIAL]

### INSPECTION AFTER DISASSEMBLY

#### Drive Gear and Drive Pinion

- If the gear teeth do not mesh or line-up correctly, determine the cause and adjust, repair, or replace as necessary.
- If the gears are worn, cracked, damaged, pitted or chipped (by friction) noticeably, replace with new gears.
- Drive gear and drive pinion are supplied in matched sets only. Matching numbers on both drive pinion and drive gear are etched for verification. If a new gear set is being used, verify the numbers of each pinion gear and drive gear before proceeding with assembly.

#### Bearing

- If bearings are chipped (by friction), pitted, worn, rusted, scratched, or unusual noise is coming from bearing, replace with new bearing assembly (as a new set).
- Bearing must be replaced with a new one whenever disassembled.

#### Differential Case Assembly

- If the gears are worn, cracked, damaged, pitted or chipped (by friction) noticeably, replace with new differential case assembly.
- If the movement is not smooth when pushing cam ring of differential case assembly by hand, repair or replace as necessary.

#### Differential Lock Solenoid

- If the operating part of differential lock solenoid is not smooth, perform component inspection. Refer to [RFD-105, "COMPONENT INSPECTION"](#).

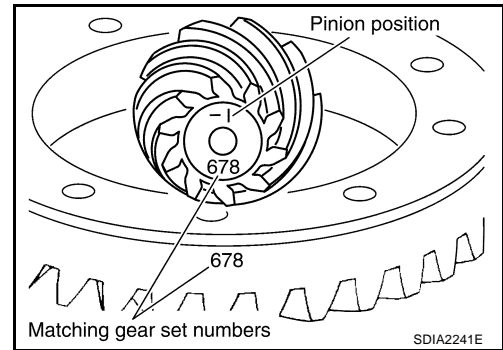
A  
B  
C  
RFD  
E  
F  
G  
H  
I  
J  
K  
L  
M

# REAR FINAL DRIVE ASSEMBLY [M226 WITH ELECTRONIC LOCKING DIFFERENTIAL]

## SELECTION ADJUSTING WASHERS

### Drive Pinion Height Adjusting Washer

- Drive gear and drive pinion are supplied in matched sets only. Matching numbers on both drive pinion and drive gear are etched for verification. If a new gear set is being used, verify the numbers of each drive pinion and drive gear before proceeding with assembly.



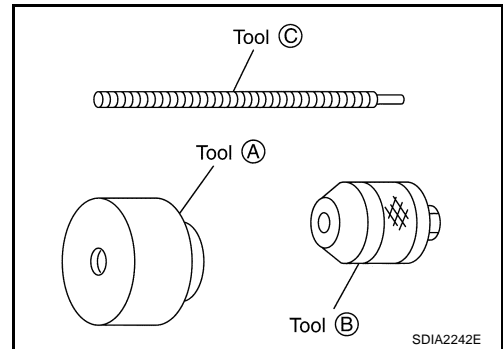
- The mounting distance from the center line of drive gear to the back face of drive pinion for the Model 226 axle assembly is 109.5 mm (4.312 in). On the button end of each drive pinion, there is etched a plus (+) number, a minus (-) number, or a zero (0), which indicates the best running position for each particular gear set. This dimension is controlled by a selective drive pinion height adjusting washer between drive pinion inner bearing race and drive pinion. For example: If a drive pinion is etched m+8 (+3), it would require 0.08 mm (0.003 in) less drive pinion height adjusting washer than a drive pinion etched "0". This means decreasing drive pinion height adjusting washer thickness; increases the mounting distance of drive pinion to 109.6 mm (4.315 in). If a drive pinion is etched m-8 (-3), it would require adding 0.08 mm (0.003 in) more to drive pinion height adjusting washer than would be required if drive pinion were etched "0". By adding 0.08 mm (0.003 in), the mounting distance of drive pinion was decreased to 109.4 mm (4.309 in) which is just what m-8 (a-3) etching indicated.
- To change drive pinion adjustment, use different drive pinion height adjusting washers which come in different thickness.
- Use the following tables as a guide for selecting the correct drive pinion height adjusting washer thickness to add or subtract from the old drive pinion height adjusting washer.

OLD DRIVE PINION MARKING	NEW DRIVE PINION MARKING mm (in)								
	-4	-3	-2	-1	0	+1	+2	+3	+4
+4	+0.20 (+0.008)	+0.18 (+0.007)	+0.15 (+0.006)	+0.13 (+0.005)	+0.10 (+0.004)	+0.08 (+0.003)	+0.05 (+0.002)	+0.02 (+0.001)	0 (0)
+3	+0.18 (+0.007)	+0.15 (+0.006)	+0.13 (+0.005)	+0.10 (+0.004)	+0.08 (+0.003)	+0.05 (+0.002)	+0.02 (+0.001)	0 (0)	-0.02 (-0.001)
+2	+0.15 (+0.006)	+0.13 (+0.005)	+0.10 (+0.004)	+0.08 (+0.003)	+0.05 (+0.002)	+0.02 (+0.001)	0 (0)	-0.02 (-0.001)	-0.05 (-0.002)
+1	+0.13 (+0.005)	+0.10 (+0.004)	+0.08 (+0.003)	+0.05 (+0.002)	+0.02 (+0.001)	0 (0)	-0.02 (-0.001)	-0.05 (-0.002)	-0.08 (-0.003)
0	+0.10 (+0.004)	+0.08 (+0.003)	+0.05 (+0.002)	+0.02 (+0.001)	0 (0)	-0.02 (-0.001)	-0.05 (-0.002)	-0.08 (-0.003)	-0.10 (-0.004)
-1	+0.08 (+0.003)	+0.05 (+0.002)	+0.02 (+0.001)	0 (0)	-0.02 (-0.001)	-0.05 (-0.002)	-0.08 (-0.003)	-0.10 (-0.004)	-0.13 (-0.005)
-2	+0.05 (+0.002)	+0.02 (+0.001)	0 (0)	-0.02 (-0.001)	-0.05 (-0.002)	-0.08 (-0.003)	-0.10 (-0.004)	-0.13 (-0.005)	-0.15 (-0.006)
-3	+0.02 (+0.001)	0 (0)	-0.02 (-0.001)	-0.05 (-0.002)	-0.08 (-0.003)	-0.10 (-0.004)	-0.13 (-0.005)	-0.15 (-0.006)	-0.18 (-0.007)
-4	0 (0)	-0.02 (-0.001)	-0.05 (-0.002)	-0.08 (-0.003)	-0.10 (-0.004)	-0.13 (-0.005)	-0.15 (-0.006)	-0.18 (-0.007)	-0.20 (-0.008)

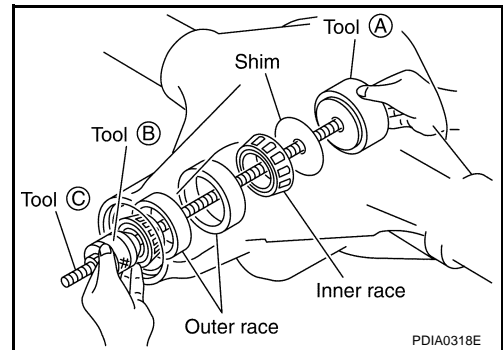
## REAR FINAL DRIVE ASSEMBLY [M226 WITH ELECTRONIC LOCKING DIFFERENTIAL]

1. Make sure all parts are clean and that drive pinion bearings are well lubricated.
2. Assemble drive pinion bearings into Tools.

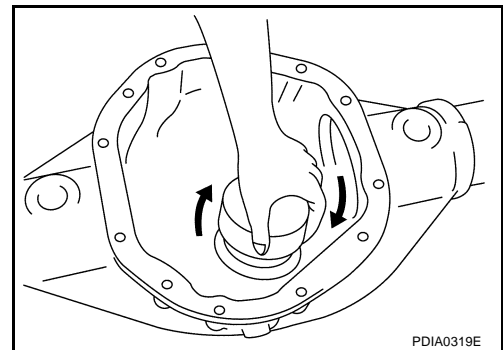
<b>Tool number</b>	<b>A:</b> —	<b>(8144)</b>
	<b>B:</b> —	<b>(6740)</b>
	<b>C:</b> —	<b>(6741)</b>



3. Install drive pinion bearing inner race and drive pinion height adjusting washer to axle housing using Tool as shown.



4. Turn the assembly several times to seat drive pinion bearings.

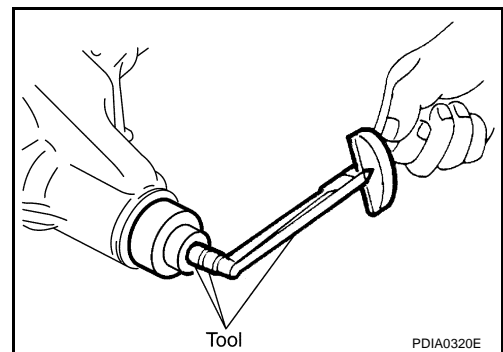


5. Measure the turning torque, using Tool.

**Tool number : ST3127S000 (J-25765-A)**

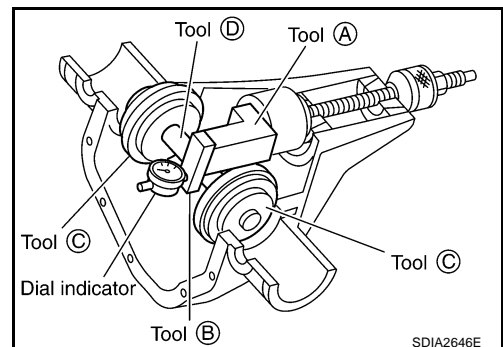
**Turning torque specification:**

**1.2 - 2.8 N-m (0.13 - 0.28 kg-m, 11 - 24 in-lb)**



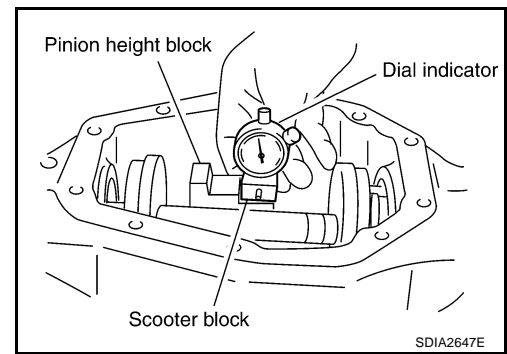
6. Tighten side bearing caps to the specified torque installing Tools as shown.

<b>Tool number</b>	<b>A:</b> —	<b>(6739)</b>
	<b>B:</b> —	<b>(D-115-2)</b>
	<b>C:</b> —	<b>(8541A-1)</b>
	<b>D:</b> —	<b>(D-115-3)</b>



## REAR FINAL DRIVE ASSEMBLY [M226 WITH ELECTRONIC LOCKING DIFFERENTIAL]

7. Put scooter block on pinion height block. Make sure that dial indicator is level adjusting pressure with a hand. Dial indicator indicates "0".
8. Slide dial indicator along arbor. Record the maximum.
9. Adjust drive pinion height adjusting washer so that the maximum will be "0".



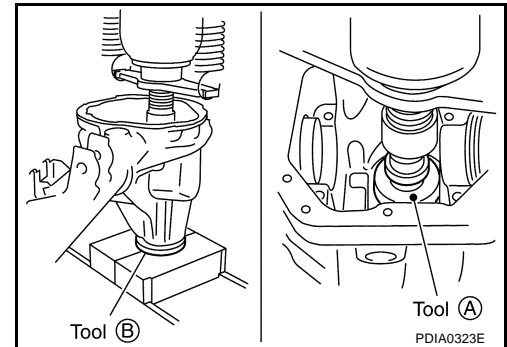
### ASSEMBLY

#### Drive Pinion Assembly

1. Press a new drive pinion rear bearing outer race into axle housing using Tools.

**Tool number**     **A: ST01500001 ( — )**  
                               **B: ST30022000 ( — )**

**CAUTION:**  
**Do not reuse drive pinion rear bearing.**

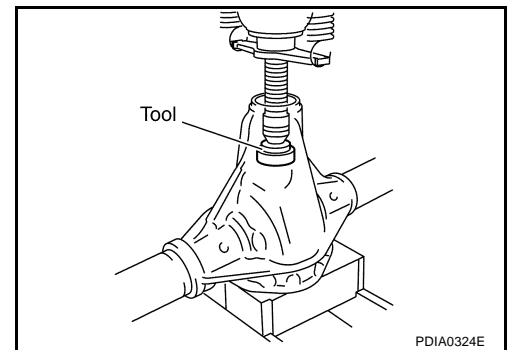


2. Press a new drive pinion front bearing outer race into axle housing, using Tool.

**Tool number**     **: ST33022000 ( — )**

**CAUTION:**  
**Do not reuse drive pinion front bearing.**

3. Select drive pinion height adjusting washer. Refer to [RFD-132](#), "[Drive Pinion Height Adjusting Washer](#)".

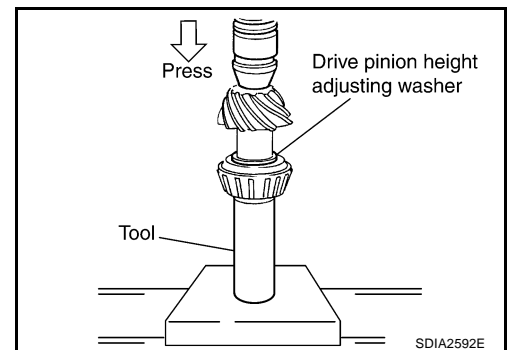


4. Press a new drive pinion rear bearing inner race and new drive pinion height adjusting washer to drive pinion using Tool.

**Tool number**     **: — (C - 4040)**

**CAUTION:**  
**Do not reuse drive pinion rear bearing.**

5. Apply gear oil to drive pinion rear bearing and drive pinion front bearing.
6. Install new drive pinion front bearing inner race in axle housing.
7. Install front bearing thrust washer to axle housing.



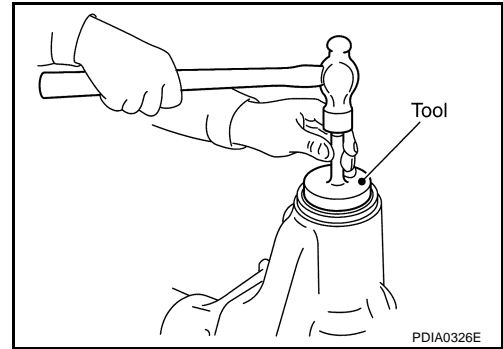
## REAR FINAL DRIVE ASSEMBLY [M226 WITH ELECTRONIC LOCKING DIFFERENTIAL]

8. Apply multi-purpose grease to new front oil seal lip. Install new front oil seal into axle housing using Tool.

**Tool number** : ST15310000 ( — )

**CAUTION:**

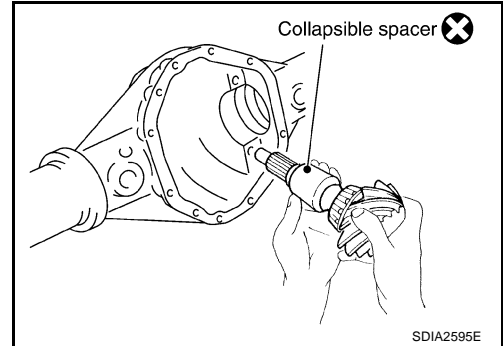
- Do not reuse oil seal.
- When installing, do not incline oil seal.



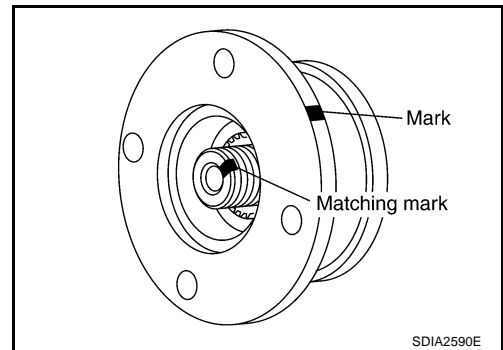
9. Install new collapsible spacer to drive pinion. And then install drive pinion assembly in axle housing.

**CAUTION:**

- Do not reuse collapsible spacer.
- Be careful not to damage front oil seal.



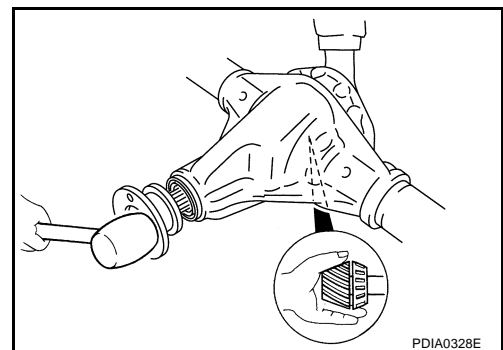
10. Align the matching mark of drive pinion with the mark of companion flange.



11. Install companion flange onto drive pinion. Tap companion flange until fully seated using suitable tool.

**CAUTION:**

**Be careful not to damage companion flange and front oil seal.**



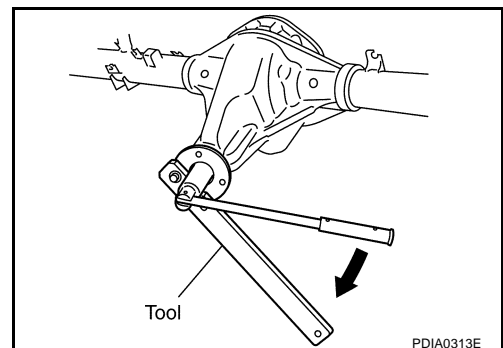
12. Install new drive pinion nut and new drive pinion nut washer. Tighten drive pinion nut until total preload is within specification using Tool.

- The threaded portion of drive pinion and drive pinion nut should be free from oil or grease.

**Tool number** : KV40104000 ( — )

**CAUTION:**

**Do not reuse drive pinion nut and drive pinion nut washer.**



## REAR FINAL DRIVE ASSEMBLY [M226 WITH ELECTRONIC LOCKING DIFFERENTIAL]

13. Tighten new drive pinion nut by very small degrees until the specified preload is achieved. When checking the preload, turn drive pinion in both directions several times to set the bearing rollers, using Tool.

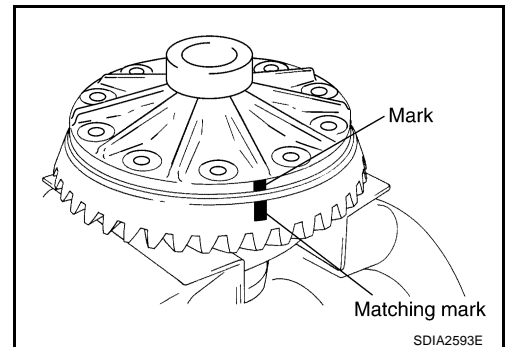
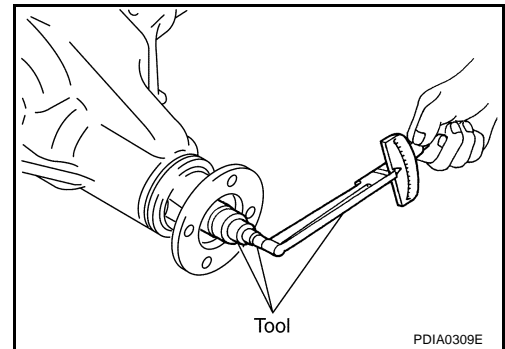
**Tool number** : ST3127S000 (J-25765-A)

**Pinion bearing preload:** 1.7 - 3.1 N·m (0.18 - 0.31 kg·m,  
15 - 27 in·lb)

- a. This procedure will have to be repeated if:
- Maximum preload is achieved before the minimum drive pinion nut torque is reached.
  - Minimum preload is not achieved before maximum drive pinion nut torque is reached.

### Differential Assembly

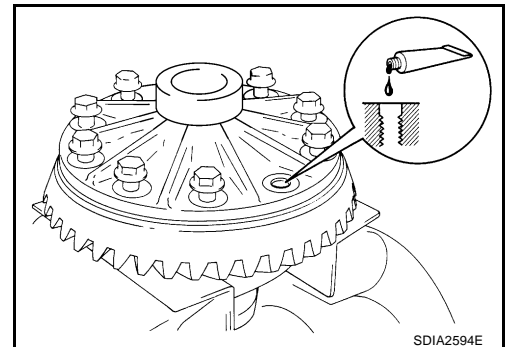
1. Align the matching mark of differential case assembly with the mark of drive gear, then install drive gear.



2. Apply thread locking sealant into the thread hole of drive gear.
- Use **Genuine Medium Strength Thread Locking Sealant or equivalent**. Refer to [GI-46, "Recommended Chemical Products and Sealants"](#).

#### **CAUTION:**

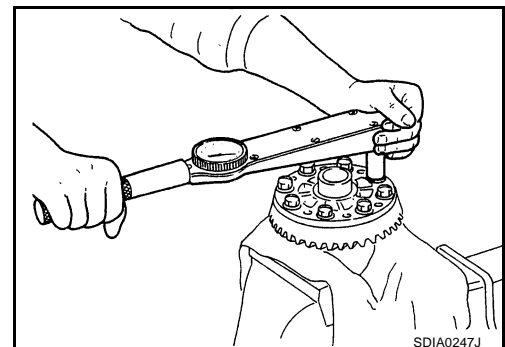
**Make sure the drive gear back and threaded holes are clean.**



3. Install the new drive gear bolts, and then tighten to the specified torque. Refer to [RFD-123, "COMPONENTS"](#).

#### **CAUTION:**

- Do not reuse the bolts.
- Tighten bolts in a crisscross fashion.





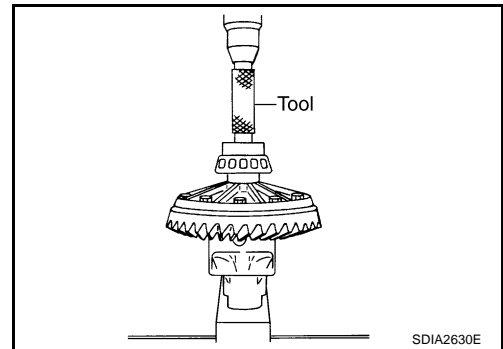
## REAR FINAL DRIVE ASSEMBLY [M226 WITH ELECTRONIC LOCKING DIFFERENTIAL]

4. Press side bearing inner races to differential case assembly using Tool.

Tool number : ST33081000 ( — )

**CAUTION:**

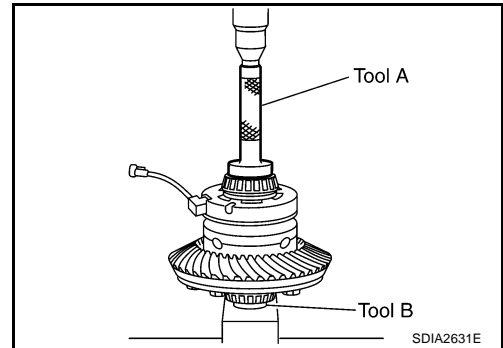
Do not reuse side bearing.



5. Install differential lock solenoid and washer.  
6. Press side bearing inner races to differential case assembly using Tools.

Tool number A: KV38100300 (J-25523)

B: ST33081000 ( — )



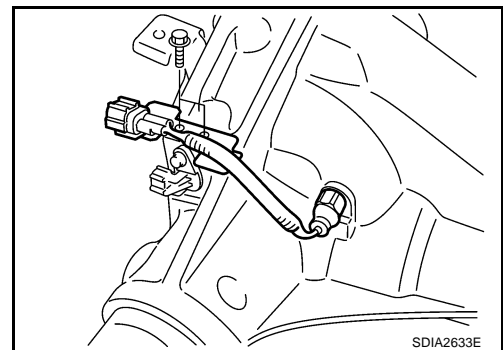
7. Apply sealant to threads of differential lock position switch.

- Use Genuine Silicone RTV or equivalent. Refer to [GI-46, "Recommended Chemical Products and Sealants"](#).

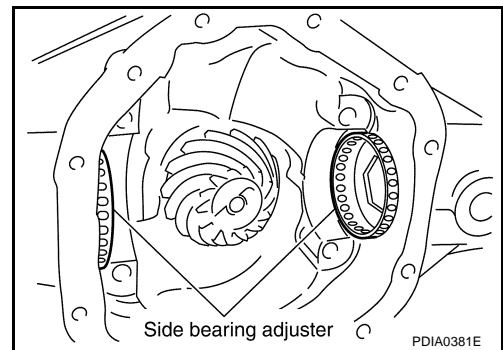
**CAUTION:**

Remove old sealant adhering to axle housing and differential lock position switch. Also remove any moisture, oil, or foreign material adhering to application and axle housing and differential lock position switch.

8. Install differential lock position switch on axle housing and tighten differential lock position switch bolts with the specified torque. Refer to [RFD-123, "COMPONENTS"](#).



9. Install side bearing adjusters into axle housing.



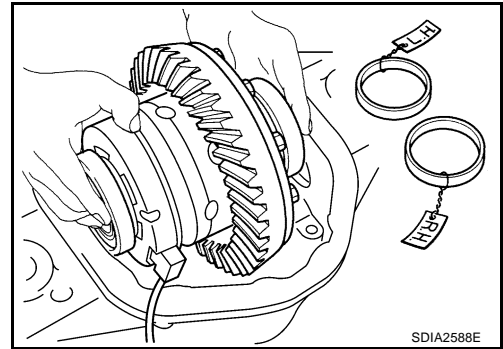
A  
B  
C  
RFD  
E  
F  
G  
H  
I  
J  
K  
L  
M

## REAR FINAL DRIVE ASSEMBLY [M226 WITH ELECTRONIC LOCKING DIFFERENTIAL]

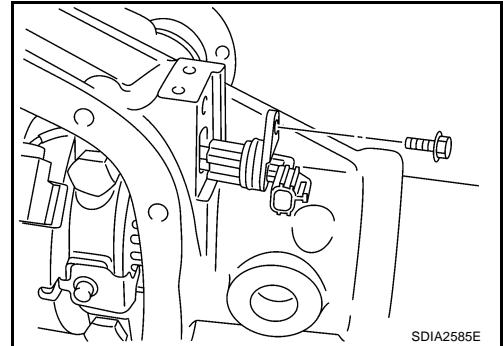
10. Apply gear oil to side bearings. Install differential case assembly with side bearing outer races into axle housing.
11. Apply multi-purpose grease to new sensor connector.

**CAUTION:**

**Do not reuse sensor connector.**



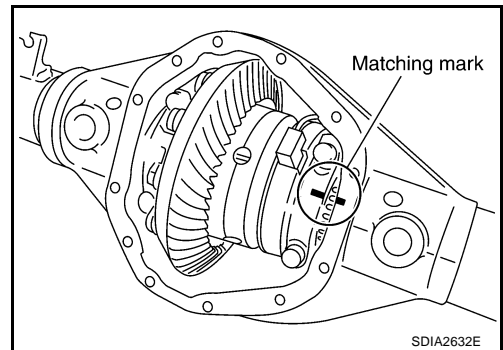
12. Connect differential lock solenoid harness and sensor connector. Then install it to axle housing, tighten to the specified torque. Refer to [RFD-123, "COMPONENTS"](#).



13. Align paint matching mark on side bearing caps with that on axle housing and install side bearing caps on axle housing.

**CAUTION:**

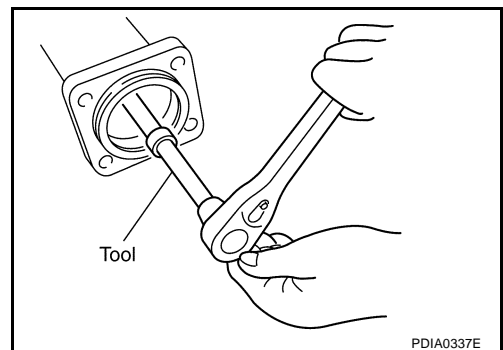
**Do not tighten at this point. This allows further tightening of side bearing adjusters.**



14. Tighten each side bearing adjusters using Tool.

**Tool number** : — (C - 4164)

15. Adjusting backlash of drive gear and drive pinion. Refer to [RFD-125, "Backlash"](#).
16. Check total preload. Refer to [RFD-124, "Total Preload Torque"](#).
17. Check tooth contact. Refer to [RFD-124, "Tooth Contact"](#).



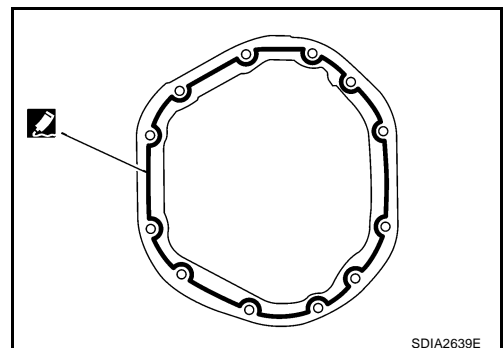
18. Apply sealant to mating surface of carrier cover.

- Use Genuine Silicone RTV or equivalent. Refer to [GI-46, "Recommended Chemical Products and Sealants"](#).

**CAUTION:**

**Remove old sealant adhering to mating surfaces. Also remove any moisture, oil, or foreign material adhering to application and mating surfaces.**

19. Install carrier cover on axle housing and tighten carrier cover bolts with the specified torque. Refer to [RFD-123, "COMPONENTS"](#).



**SERVICE DATA AND SPECIFICATIONS (SDS)**  
**[M226 WITH ELECTRONIC LOCKING DIFFERENTIAL]**

**SERVICE DATA AND SPECIFICATIONS (SDS)**

PF0:00030

**General Specifications**

EDS0030Z

Applied model	VQ40DE	
	4WD	
	5A/T	6M/T
Final drive model	M226	
Gear ratio	3.357	3.692
Number of pinion gears	2	
Number of teeth (Drive gear / drive pinion)	47/14	48/13
Oil capacity (Approx.)      ℓ (US pt, Imp pt)	2.01 (4-1/4, 3-1/2)	
Drive pinion adjustment spacer type	Collapsible	

**Inspection and Adjustment**  
**PRELOAD TORQUE**

EDS00310

Unit: N·m (kg·m, in·lb)

Item	Specification
Total preload (Drive pinion torque to rotate plus)	2.38 - 4.46 (0.25 - 0.45, 21 - 39)
Drive pinion bearing preload	1.7 - 3.1 (0.18 - 0.31, 15 - 27)

**BACKLASH**

Unit: mm (in)

Item	Standard
Drive gear to drive pinion gear	0.08 - 0.13 (0.0031 - 0.0051)

**COMPANION FLANGE RUNOUT**

Unit: mm (in)

Item	Runout limit
Companion flange face	0.10 (0.0039) or less
Inner side of companion flange	0.13 (0.0051) or less

**SERVICE DATA AND SPECIFICATIONS (SDS)**  
**[M226 WITH ELECTRONIC LOCKING DIFFERENTIAL]**

**SELECTIVE PARTS**

**Drive Pinion Height Adjusting Washer**

Unit: mm (in)

Thickness	Package part number*
0.076 (0.030) 0.079 (0.031) 0.081 (0.032) 0.084 (0.033) 0.086 (0.034)	38151 8S101
0.089 (0.035) 0.091 (0.036) 0.094 (0.037) 0.097 (0.038) 0.099 (0.039)	38151 8S102
0.102 (0.040) 0.104 (0.041) 0.107 (0.042) 0.109 (0.043) 0.112 (0.044)	38151 8S103
0.114 (0.045) 0.117 (0.046) 0.119 (0.047) 0.122 (0.048) 0.124 (0.049)	38151 8S104
0.127 (0.050) 0.130 (0.051) 0.132 (0.052) 0.135 (0.053) 0.137 (0.054)	38151 8S105

\*Always check with the Parts Department for the latest parts information.