

SECTION **PWO**  
POWER OUTLET

A  
B  
C  
D  
E  
F  
G  
H  
I  
J  
K  
L  
N  
O  
P

CONTENTS

<b>PRECAUTION</b> .....	2	<b>POWER SOCKET</b> .....	3
<b>PRECAUTIONS</b> .....	2	Wiring Diagram - Power Socket - .....	3
Precaution for Supplemental Restraint System (SRS) "AIR BAG" and "SEAT BELT PRE-TENSIONER" .....	2	<b>ON-VEHICLE REPAIR</b> .....	6
<b>COMPONENT DIAGNOSIS</b> .....	3	<b>POWER SOCKET</b> .....	6
		Removal and Installation .....	6

PWO

# PRECAUTIONS

< PRECAUTION >

## PRECAUTION

### PRECAUTIONS

#### Precaution for Supplemental Restraint System (SRS) "AIR BAG" and "SEAT BELT PRE-TENSIONER"

INFOID:000000005588084

The Supplemental Restraint System such as "AIR BAG" and "SEAT BELT PRE-TENSIONER", used along with a front seat belt, helps to reduce the risk or severity of injury to the driver and front passenger for certain types of collision. This system includes seat belt switch inputs and dual stage front air bag modules. The SRS system uses the seat belt switches to determine the front air bag deployment, and may only deploy one front air bag, depending on the severity of a collision and whether the front occupants are belted or unbelted. Information necessary to service the system safely is included in the SR and SB section of this Service Manual.

#### **WARNING:**

- To avoid rendering the SRS inoperative, which could increase the risk of personal injury or death in the event of a collision which would result in air bag inflation, all maintenance must be performed by an authorized NISSAN/INFINITI dealer.
- Improper maintenance, including incorrect removal and installation of the SRS, can lead to personal injury caused by unintentional activation of the system. For removal of Spiral Cable and Air Bag Module, see the SR section.
- Do not use electrical test equipment on any circuit related to the SRS unless instructed to in this Service Manual. SRS wiring harnesses can be identified by yellow and/or orange harnesses or harness connectors.

#### PRECAUTIONS WHEN USING POWER TOOLS (AIR OR ELECTRIC) AND HAMMERS

#### **WARNING:**

- When working near the Airbag Diagnosis Sensor Unit or other Airbag System sensors with the Ignition ON or engine running, DO NOT use air or electric power tools or strike near the sensor(s) with a hammer. Heavy vibration could activate the sensor(s) and deploy the air bag(s), possibly causing serious injury.
- When using air or electric power tools or hammers, always switch the Ignition OFF, disconnect the battery, and wait at least 3 minutes before performing any service.

# POWER SOCKET

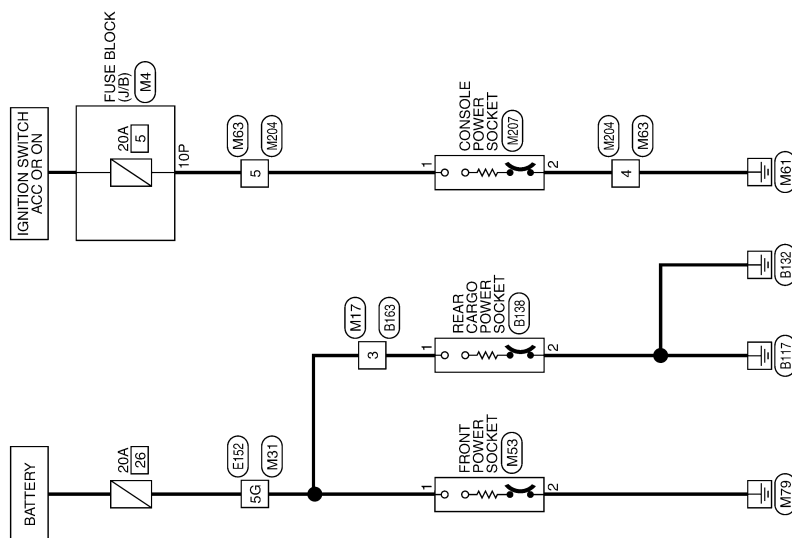
< COMPONENT DIAGNOSIS >

## COMPONENT DIAGNOSIS

### POWER SOCKET

Wiring Diagram - Power Socket -

INFOID:000000005268273



POWER SOCKET

PWO

# POWER SOCKET

< COMPONENT DIAGNOSIS >

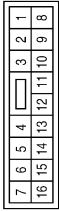
## POWER SOCKET CONNECTORS

Connector No.	M4
Connector Name	FUSE BLOCK (J/B)
Connector Color	WHITE



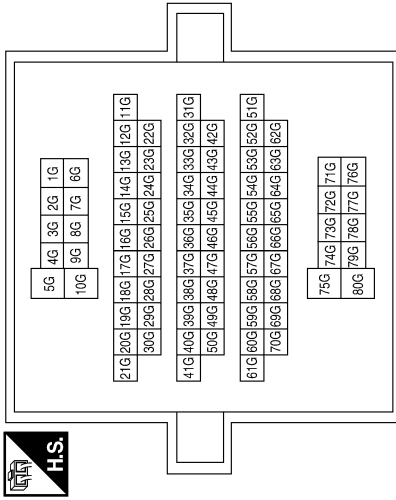
Terminal No.	10P	Color of Wire	G/Y	Signal Name	-
--------------	-----	---------------	-----	-------------	---

Connector No.	M17
Connector Name	WIRE TO WIRE
Connector Color	WHITE



Terminal No.	3	Color of Wire	R	Signal Name	-
--------------	---	---------------	---	-------------	---

Connector No.	M31
Connector Name	WIRE TO WIRE
Connector Color	WHITE



Terminal No.	5G	Color of Wire	R	Signal Name	-
--------------	----	---------------	---	-------------	---

Connector No.	M53
Connector Name	FRONT POWER SOCKET
Connector Color	BLACK



Terminal No.	1	Color of Wire	R	Signal Name	-
Terminal No.	2	Color of Wire	B	Signal Name	-

Connector No.	M63
Connector Name	WIRE TO WIRE
Connector Color	WHITE



Terminal No.	4	Color of Wire	B	Signal Name	-
Terminal No.	5	Color of Wire	G/Y	Signal Name	-

Connector No.	M204
Connector Name	WIRE TO WIRE
Connector Color	WHITE



Terminal No.	4	Color of Wire	B	Signal Name	-
Terminal No.	5	Color of Wire	G/Y	Signal Name	-

ABMIA0390GB

# POWER SOCKET

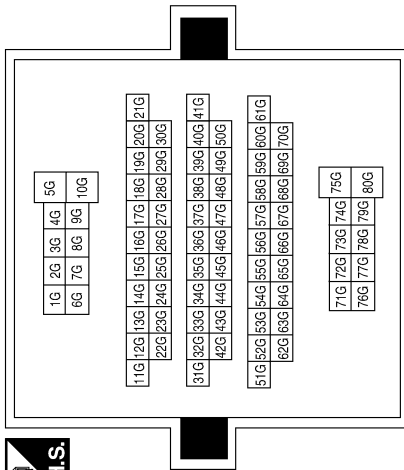
## < COMPONENT DIAGNOSIS >

Connector No.	B138
Connector Name	REAR CARGO POWER SOCKET
Connector Color	BLACK



Terminal No.	Color of Wire	Signal Name
1	R	-
2	B	-

Connector No.	E152
Connector Name	WIRE TO WIRE
Connector Color	WHITE



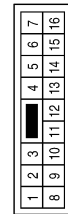
Terminal No.	Color of Wire	Signal Name
5G	R	-

Connector No.	M207
Connector Name	CONSOLE POWER SOCKET
Connector Color	BLACK



Terminal No.	Color of Wire	Signal Name
1	G/Y	-
2	B	-

Connector No.	B163
Connector Name	WIRE TO WIRE
Connector Color	WHITE



Terminal No.	Color of Wire	Signal Name
3	R	-

ABMIA0391GB

A  
B  
C  
D  
E  
F  
G  
H  
I  
J  
K  
L  
N  
O  
P

PWO

# POWER SOCKET

< ON-VEHICLE REPAIR >

## ON-VEHICLE REPAIR

### POWER SOCKET

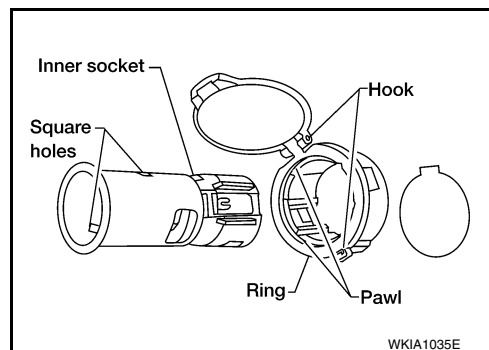
#### Removal and Installation

INFOID:000000005588083

#### FRONT POWER SOCKET, CONSOLE POWER SOCKET, AND REAR CARGO POWER SOCKET

##### Removal

1. Access both front and back of power socket assembly. Refer to [JP-10. "Exploded View"](#) (Instrument panel), [JP-18. "Exploded View"](#) (Center console), [INT-23. "Removal and Installation"](#) (Luggage floor trim).
2. Remove inner socket from the ring, while pressing the hook on the ring out from square hole.
3. Disconnect power socket connector.
4. Remove ring from power socket finisher while pressing pawls.



##### Installation

Installation is in the reverse order of removal.