

SECTION **RSU**
 REAR SUSPENSION

A
B
C
D

RSU

CONTENTS

PRECAUTION	2	ON-VEHICLE REPAIR	7	F
PRECAUTIONS	2	REAR SUSPENSION ASSEMBLY	7	
Precaution for Supplemental Restraint System (SRS) "AIR BAG" and "SEAT BELT PRE-TENSIONER"	2	Component	7	G
Precaution	2	REMOVAL AND INSTALLATION	9	
PREPARATION	3	SHOCK ABSORBER	9	H
PREPARATION	3	Removal and Installation	9	
Commercial Service Tool	3	Disposal	9	
SYMPTOM DIAGNOSIS	4	LEAF SPRING	10	I
NOISE VIBRATION AND HARSHNESS (NVH) TROUBLESHOOTING	4	Removal and Installation	10	
NVH Troubleshooting Chart	4	STABILIZER BAR	13	J
ON-VEHICLE MAINTENANCE	5	Removal and Installation	13	
REAR SUSPENSION ASSEMBLY	5	SERVICE DATA AND SPECIFICATIONS (SDS)	15	K
On-Vehicle Inspection and Service	5	SERVICE DATA AND SPECIFICATIONS (SDS)	15	L
STABILIZER BAR	6	General Specification (Rear)	15	
Inspection	6	Wheelarch Height (Unladen* ¹)	15	M

N
O
P

PRECAUTIONS

< PRECAUTION >

PRECAUTION

PRECAUTIONS

Precaution for Supplemental Restraint System (SRS) "AIR BAG" and "SEAT BELT PRE-TENSIONER"

INFOID:000000004920062

The Supplemental Restraint System such as "AIR BAG" and "SEAT BELT PRE-TENSIONER", used along with a front seat belt, helps to reduce the risk or severity of injury to the driver and front passenger for certain types of collision. This system includes seat belt switch inputs and dual stage front air bag modules. The SRS system uses the seat belt switches to determine the front air bag deployment, and may only deploy one front air bag, depending on the severity of a collision and whether the front occupants are belted or unbelted. Information necessary to service the system safely is included in the SR and SB section of this Service Manual.

WARNING:

- To avoid rendering the SRS inoperative, which could increase the risk of personal injury or death in the event of a collision which would result in air bag inflation, all maintenance must be performed by an authorized NISSAN/INFINITI dealer.
- Improper maintenance, including incorrect removal and installation of the SRS, can lead to personal injury caused by unintentional activation of the system. For removal of Spiral Cable and Air Bag Module, see the SR section.
- Do not use electrical test equipment on any circuit related to the SRS unless instructed to in this Service Manual. SRS wiring harnesses can be identified by yellow and/or orange harnesses or harness connectors.

PRECAUTIONS WHEN USING POWER TOOLS (AIR OR ELECTRIC) AND HAMMERS

WARNING:

- When working near the Airbag Diagnosis Sensor Unit or other Airbag System sensors with the Ignition ON or engine running, DO NOT use air or electric power tools or strike near the sensor(s) with a hammer. Heavy vibration could activate the sensor(s) and deploy the air bag(s), possibly causing serious injury.
- When using air or electric power tools or hammers, always switch the Ignition OFF, disconnect the battery, and wait at least 3 minutes before performing any service.

Precaution

INFOID:000000003289054

- When installing rubber parts, final tightening must be carried out under unladen condition* with tires on ground.
* Fuel, radiator coolant, and engine oil are full. Spare tire, jack, hand tools, and mats are in their designated positions.

PREPARATION

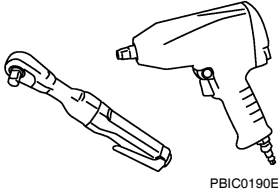
< PREPARATION >

PREPARATION

PREPARATION

Commercial Service Tool

INFOID:000000003081044

Tool name	Description
Power tool  PBIC0190E	Removing bolts and nuts

A

B

C

D

RSU

F

G

H

I

J

K

L

M

N

O

P

NOISE VIBRATION AND HARSHNESS (NVH) TROUBLESHOOTING

< SYMPTOM DIAGNOSIS >

SYMPTOM DIAGNOSIS

NOISE VIBRATION AND HARSHNESS (NVH) TROUBLESHOOTING

NVH Troubleshooting Chart

INFOID:000000003289020

Use the chart below to help you find the cause of the symptom. If necessary, repair or replace the parts.

Symptoms		Possible cause and SUSPECTED PARTS										Reference page			
		Improper installation, looseness	Shock absorber deformation, damage or deflection	Bushing or mounting deterioration	Parts interference	Spring fatigue	Suspension looseness	PROPELLER SHAFT	REAR FINAL DRIVE	AXLE	TIRES	ROAD WHEEL	BRAKES	STEERING	
Symptoms	Noise	x	x	x	x	x	x	x	x	x	x	x	x	x	RSU-5
	Shake	x	x	x	x		x	x		x	x	x	x	x	RSU-9
	Vibration	x	x	x	x	x		x		x	x				RSU-5
	Shimmy	x	x	x	x						x	x	x	x	RSU-5
	Shudder	x	x	x							x	x	x	x	RSU-5
	Poor quality ride or handling	x	x	x	x	x	x				x	x	x		RSU-10 RSU-5
														DLN-149, "NVH Troubleshooting Chart" DLN-194, "NVH Troubleshooting Chart" (C200) , DLN-226, "NVH Troubleshooting Chart" (M226) RAX-6, "NVH Troubleshooting Chart" (C200) , RAX-18, "NVH Troubleshooting Chart" (M226) WT-42, "NVH Troubleshooting Chart" WT-42, "NVH Troubleshooting Chart" BR-5, "NVH Troubleshooting Chart" ST-5, "NVH Troubleshooting Chart"	

x: Applicable

REAR SUSPENSION ASSEMBLY

< ON-VEHICLE MAINTENANCE >

ON-VEHICLE MAINTENANCE

REAR SUSPENSION ASSEMBLY

On-Vehicle Inspection and Service

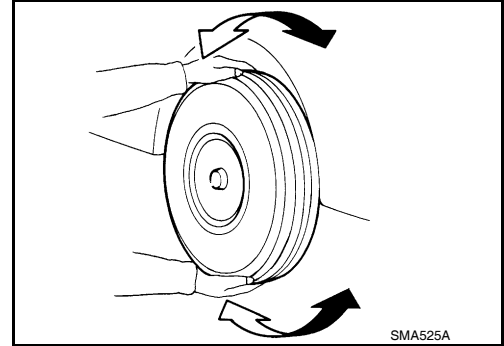
INFOID:000000003289036

- Check the rear suspension parts for any excessive play, cracks, wear, and other damage.
- Shake each rear wheel to check for any excessive play as shown.
- Tighten all of the nuts and bolts to the specified torque.

CAUTION:

When installing the components with rubber bushings, the final tightening of the nuts and bolts must be done with the vehicle in an unladen condition (the fuel, engine coolant, and engine oil full; the spare tire, jack, hand tools and mats in their designated positions) with the tires on the ground.

- Check the shock absorbers for oil leaks, deformation, and other damage.
- Check the shock absorber bushings for excessive wear and other damage.



A
B
C
D
RSU
F
G
H
I
J
K
L
M
N
O
P

STABILIZER BAR

< ON-VEHICLE MAINTENANCE >

STABILIZER BAR

Inspection

INFOID:000000003289040

- Check stabilizer bar for any deformation, cracks, or damage and replace if necessary.
- Check rubber bushings for deterioration, or cracks and replace if necessary.

REAR SUSPENSION ASSEMBLY

< ON-VEHICLE REPAIR >

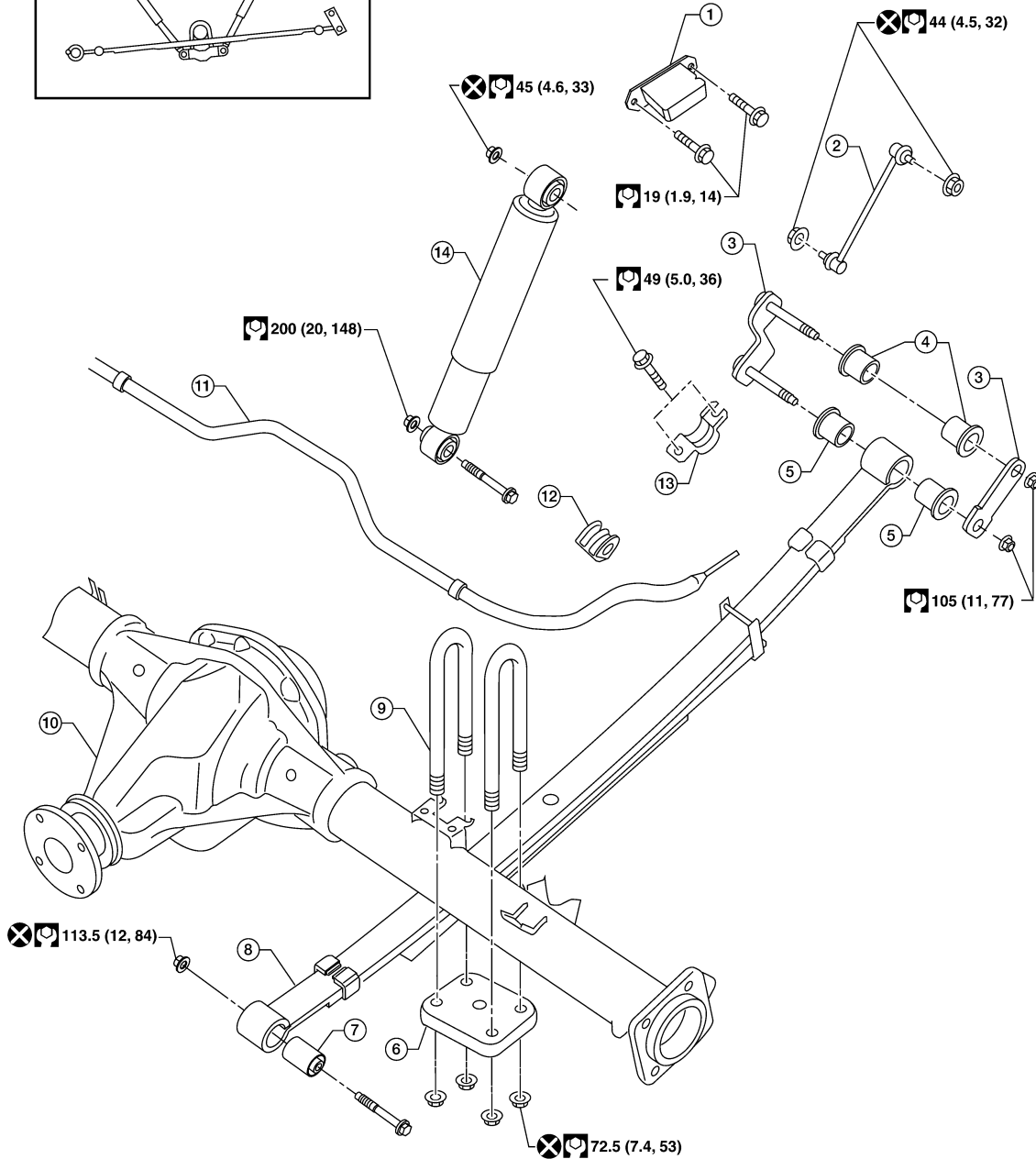
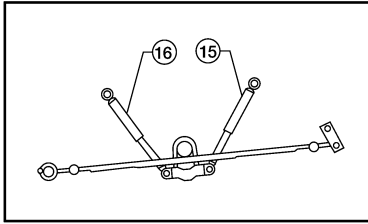
ON-VEHICLE REPAIR

REAR SUSPENSION ASSEMBLY

Component

INFOID:000000003289037

SEC. 431



A
B
C
D
RSU
F
G
H
I
J
K
L
M
N
O
P

WEIA0171E

REAR SUSPENSION ASSEMBLY

< ON-VEHICLE REPAIR >

- | | | |
|---------------------------------|-------------------------------|--------------------------------|
| 1. Bumper | 2. Connecting rod | 3. Rear spring shackle |
| 4. Rear spring shackle bushing | 5. Rear spring bushing (rear) | 6. Rear spring pad |
| 7. Rear spring bushing (front) | 8. Rear leaf spring | 9. Rear spring clip U-bolts |
| 10. Rear final drive | 11. Stabilizer bar | 12. Bushing |
| 13. Stabilizer bar clamp | 14. Shock absorber | 15. Shock absorber (left side) |
| 16. Shock absorber (right side) | | |

CAUTION:

When installing the components with rubber bushings, the final tightening of the nuts and bolts must be done with the vehicle in an unladen condition (the fuel, engine coolant, and engine oil full; the spare tire, jack, hand tools and mats in their designated positions) with the tires on the ground.

SHOCK ABSORBER

< REMOVAL AND INSTALLATION >

REMOVAL AND INSTALLATION

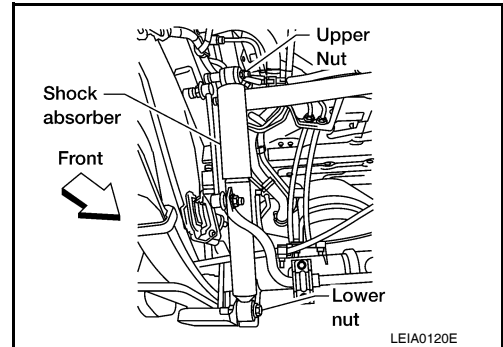
SHOCK ABSORBER

Removal and Installation

INFOID:000000003289045

REMOVAL

1. Support the rear final drive and suspension assembly using a suitable jack.
2. Remove the shock absorber upper and lower nuts and bolts using power tool.



3. Remove the shock absorber.

INSPECTION AFTER REMOVAL

Inspect the shock absorber for any oil leaks, cracks, or deformations. Replace the shock absorber as necessary.

INSTALLATION

Installation is in the reverse order of removal.

Shock absorber upper and lower nuts : Refer to [RSU-7, "Component"](#).

Disposal

INFOID:000000006046366

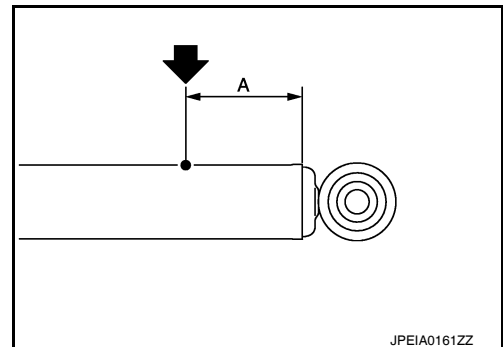
1. Set shock absorber horizontally with the piston rod fully extended.
2. Drill 2 – 3 mm (0.08 – 0.12 in) hole at the position (●) from top as shown in the figure to release gas gradually.

CAUTION:

- Wear eye protection (safety glasses).
- Wear gloves.
- Be careful with metal chips or oil blown out by the compressed gas.

NOTE:

- Drill vertically in this direction (←).
- Directly to the outer tube avoiding brackets.
- The gas is clear, colorless, odorless, and harmless.



A : 20 – 30 mm (0.79 – 1.18 in)

3. Position the drilled hole downward and drain oil by moving the piston rod several times.

CAUTION:

Dispose of drained oil according to the law and local regulations.

LEAF SPRING

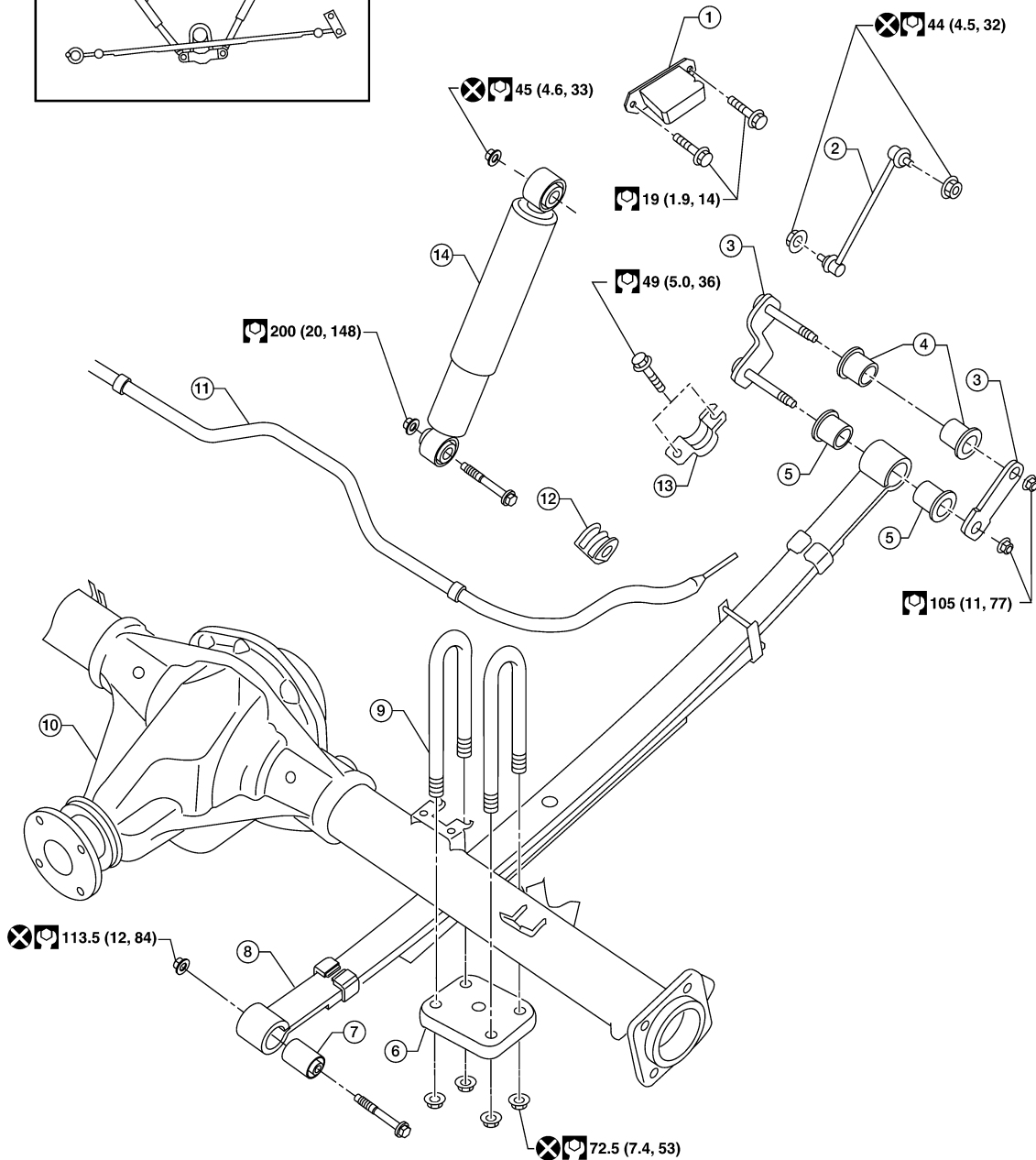
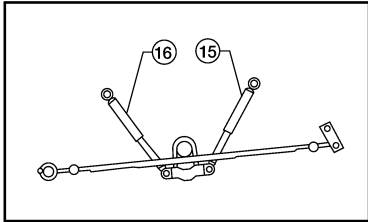
< REMOVAL AND INSTALLATION >

LEAF SPRING

Removal and Installation

INFOID:000000003289044

SEC. 431



WEIA0171E

- | | | |
|--------------------------------|-------------------------------|-----------------------------|
| 1. Bumper | 2. Connecting rod | 3. Rear spring shackle |
| 4. Rear spring shackle bushing | 5. Rear spring bushing (rear) | 6. Rear spring pad |
| 7. Rear spring bushing (front) | 8. Rear leaf spring | 9. Rear spring clip U-bolts |

LEAF SPRING

< REMOVAL AND INSTALLATION >

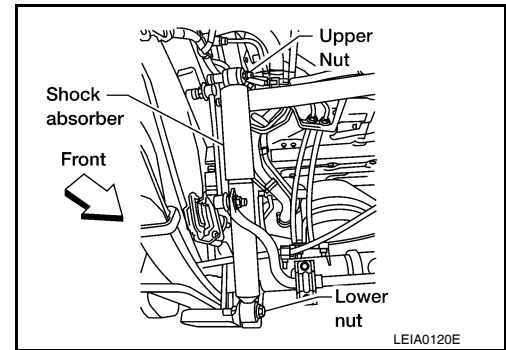
- | | | |
|---------------------------------|--------------------|--------------------------------|
| 10. Rear final drive | 11. Stabilizer bar | 12. Bushing |
| 13. Stabilizer bar clamp | 14. Shock absorber | 15. Shock absorber (left side) |
| 16. Shock absorber (right side) | | |

CAUTION:

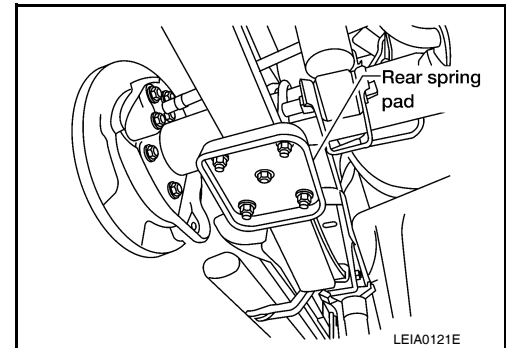
When installing the components with rubber bushings, the final tightening of the nuts and bolts must be done with the vehicle in an unladen condition (the fuel, engine coolant, and engine oil full; the spare tire, jack, hand tools and mats in their designated positions) with the tires on the ground.

REMOVAL

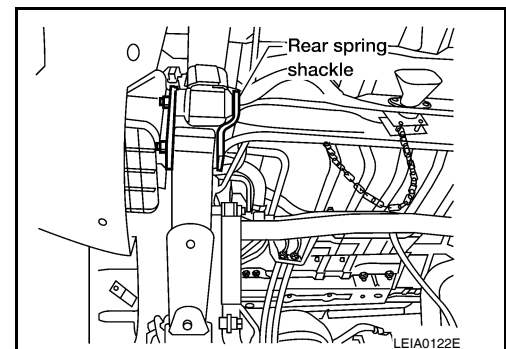
1. Remove the spare tire.
2. For the RH side, remove the tailpipe. Refer to [EX-5. "Removal and Installation"](#).
3. Support the rear final drive assembly with a suitable jack to relieve the tension from the rear leaf spring.
 - The axle weight should be supported, but there should be no compression in the rear leaf spring.
4. Remove the shock absorber lower nut and bolt using power tool.



5. Remove the four rear spring clip U-bolt nuts using power tool, then remove the rear spring pad.



6. Remove the rear spring shackle and bushings using power tool.

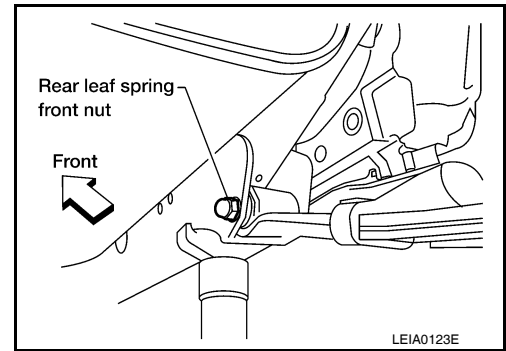


A
B
C
D
RSU
F
G
H
I
J
K
L
M
N
O
P

LEAF SPRING

< REMOVAL AND INSTALLATION >

7. Remove the rear leaf spring front nut and bolt using power tool.
8. Remove the rear leaf spring.

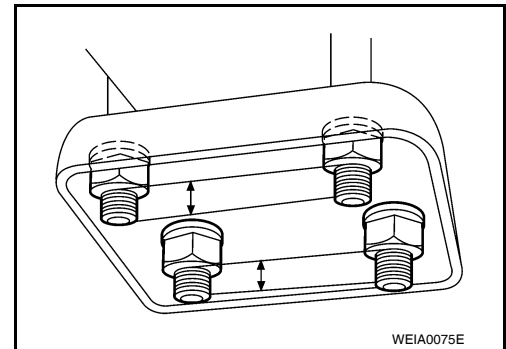


INSPECTION AFTER REMOVAL

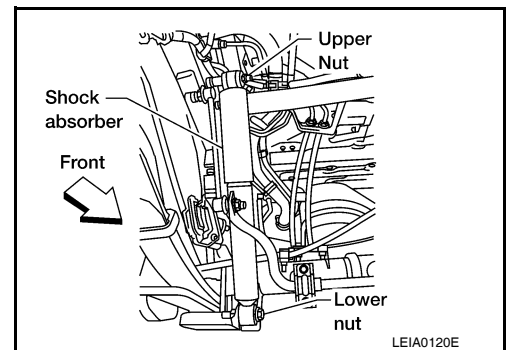
- Check the rear leaf spring for any cracks or damage. Replace the rear leaf spring if necessary.
- Check the rear spring shackle, rear spring clip U-bolts, bumper, and rear spring pad for excessive wear, cracks, straightness, and damage. Replace any components if necessary.
- Check all bushings for deformation and cracks. Replace any bushings if necessary.

INSTALLATION

1. Apply soapsuds to all of the rubber bushings.
2. Install the rear spring shackle and rear leaf spring front nut and bolt. Finger-tighten the nuts.
3. Install the rear spring clip U-bolts on top of the axle case.
4. Install the rear spring pad, and nuts under the rear spring.
5. Tighten the rear spring clip U-bolt nuts diagonally and evenly to specification.
 - Tighten the rear spring clip U-bolt nuts so the lengths of all the exposed rear spring clip U-bolt threads under spring pad are equal in length within a tolerance of 3 mm (0.12 in), as shown.



6. Install the shock absorber, and finger-tighten the upper and lower nuts.



7. Remove the jack supporting the rear final drive assembly and bounce the rear of the vehicle to stabilize the suspension.
8. For the RH side, install the tailpipe. Refer to [EX-5, "Removal and Installation"](#).
9. Install the spare tire.
10. Tighten the rear spring shackle nuts, rear leaf spring front nut, and shock absorber upper and lower nuts to specification.
 - When installing the components with rubber bushings, the final nut tightening must be carried out under unladen* conditions with the tires on level ground.
 - * (Fuel, radiator coolant and engine oil full. Spare tire, jack, hand tools and mats in designated positions.)

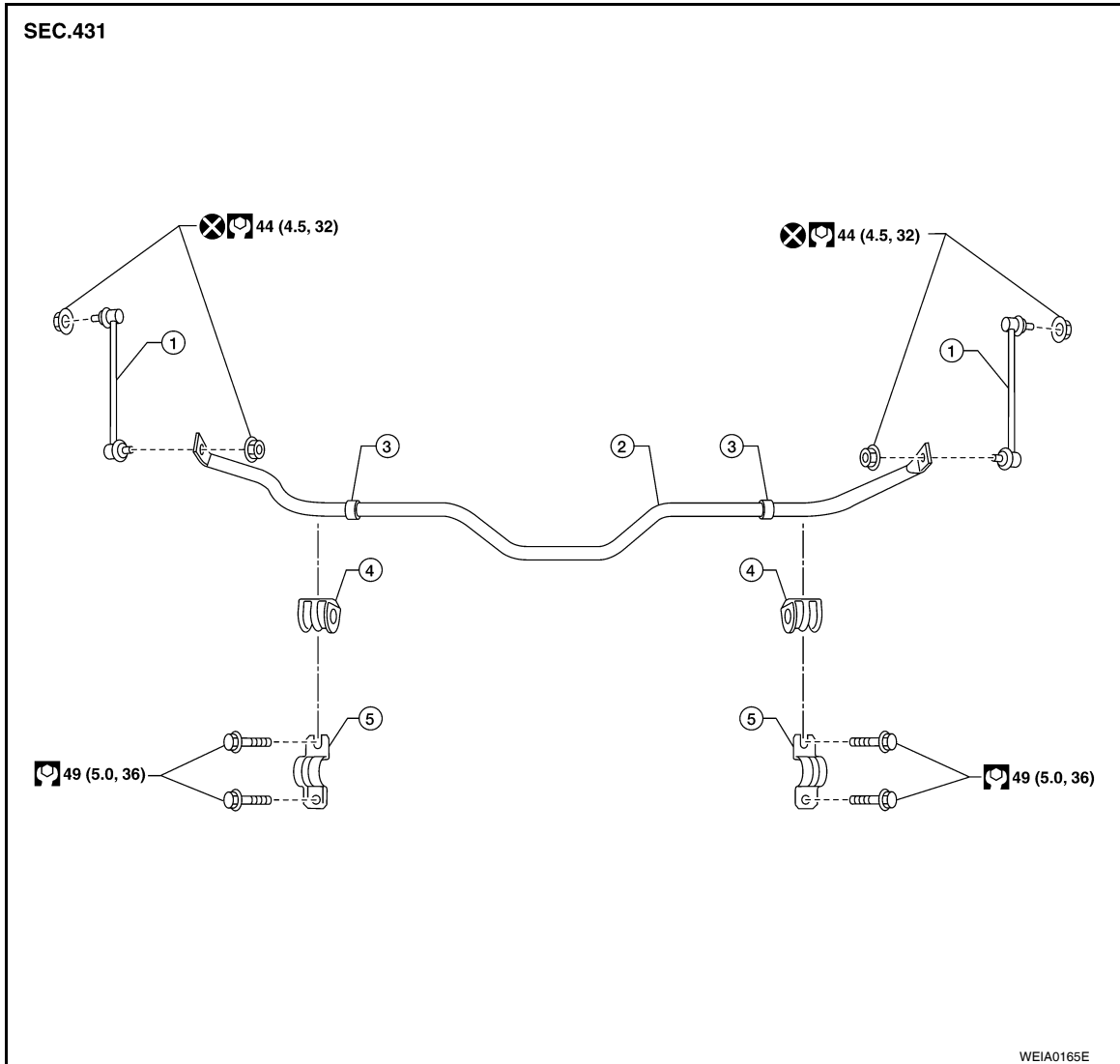
STABILIZER BAR

< REMOVAL AND INSTALLATION >

STABILIZER BAR

Removal and Installation

INFOID:000000003289041



- | | | |
|-------------------|-------------------------|--|
| 1. Connecting rod | 2. Stabilizer bar | 3. Crimp ring (part of stabilizer bar) |
| 4. Bushing | 5. Stabilizer bar clamp | |

REMOVAL

1. Disconnect the stabilizer bar ends from the connecting rods using power tool.
2. Remove the stabilizer bar clamps using power tool, and remove the bushings.
3. Remove the stabilizer bar.

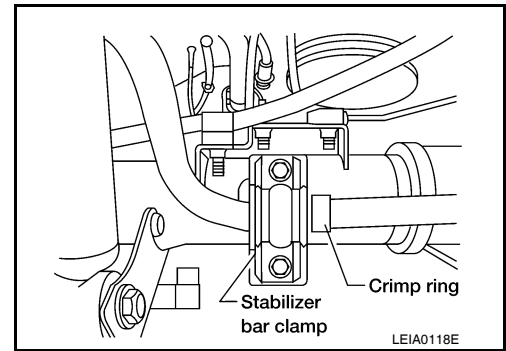
INSTALLATION

Installation is in the reverse order of removal.

STABILIZER BAR

< REMOVAL AND INSTALLATION >

- Install the stabilizer bar clamp and bushing so they are positioned outside of the crimp ring on the stabilizer bar.



SERVICE DATA AND SPECIFICATIONS (SDS)

< SERVICE DATA AND SPECIFICATIONS (SDS)

SERVICE DATA AND SPECIFICATIONS (SDS)

SERVICE DATA AND SPECIFICATIONS (SDS)

General Specification (Rear)

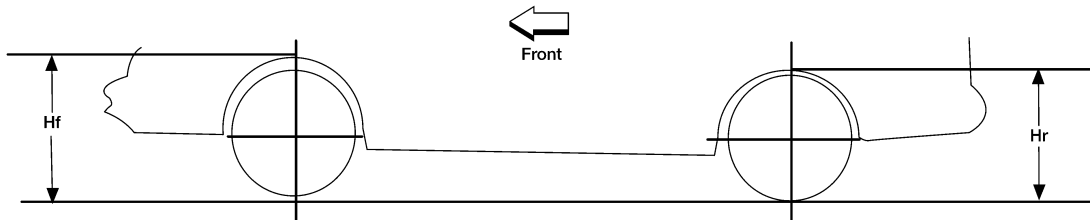
INFOID:000000003289023

Suspension type	Rigid axle with semi-elliptic leaf springs
Shock absorber type	Double-acting hydraulic

Wheelarch Height (Unladen*¹)

INFOID:000000003289024

Unit: mm (in)



LEIA0085E

Engine type	VQ40DE				
Drive type	2WD		4WD		
Applied models	X and S	SE	X and S	O/R	SE
Tire size	265/70R16	265/65R17	265/70R16	265/75R16	265/65R17
Front wheelarch height (Hf)	839 (33.03)	841 (33.11)	858 (33.78)	870 (34.25)	859 (33.82)
Rear wheelarch height (Hr)	872 (34.33)	872 (34.33)	892 (35.12)	904 (35.59)	892 (35.12)

*1: Fuel, radiator coolant and engine oil full. Spare tire, jack, hand tools and mats in designated positions.