

SECTION **MIR**  
MIRRORS

A  
B  
C  
D  
E  
F  
G  
H  
I  
J  
K  
M  
N  
O  
P

CONTENTS

<b>COMPONENT DIAGNOSIS</b> .....	2	Special Service Tool .....	6
<b>DOOR MIRROR</b> .....	2	Commercial Service Tool .....	6
Wiring Diagram .....	2	<b>INSIDE MIRROR</b> .....	7
<b>PRECAUTION</b> .....	5	Removal and Installation .....	7
<b>PRECAUTIONS</b> .....	5	<b>DOOR MIRROR</b> .....	8
Precaution for Supplemental Restraint System (SRS) "AIR BAG" and "SEAT BELT PRE-TEN- SIONER" .....	5	Door Mirror Assembly .....	8
<b>SERVICE INFORMATION</b> .....	6	Door Mirror Glass .....	8
<b>PREPARATION</b> .....	6	<b>DISASSEMBLY AND ASSEMBLY</b> .....	9
		<b>DOOR MIRROR</b> .....	9
		Mirror Actuator .....	9

MIR



# DOOR MIRROR

## < COMPONENT DIAGNOSIS >

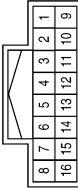
### DOOR MIRROR CONNECTORS

Connector No.	M4
Connector Name	FUSE BLOCK (J/B)
Connector Color	WHITE



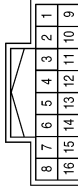
Terminal No.	Color of Wire	Signal Name
12P	G/Y	-

Connector No.	M9
Connector Name	WIRE TO WIRE
Connector Color	WHITE



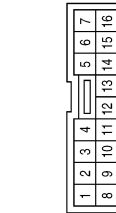
Terminal No.	Color of Wire	Signal Name
14	Y	-
15	V	-
16	L	-

Connector No.	M74
Connector Name	WIRE TO WIRE
Connector Color	WHITE



Terminal No.	Color of Wire	Signal Name
6	R	-
7	P	-
8	LG	-

Connector No.	M159
Connector Name	DOOR MIRROR REMOTE CONTROL SWITCH
Connector Color	WHITE



Terminal No.	Color of Wire	Signal Name
2	L	-
3	R	-

Terminal No.	Color of Wire	Signal Name
4	LG	-
5	Y	-
6	V	-
7	P	-
12	B	-
13	G/Y	-

Connector No.	D1
Connector Name	WIRE TO WIRE
Connector Color	WHITE



Terminal No.	Color of Wire	Signal Name
14	Y/R	-
15	V/W	-
16	L/R	-

A  
B  
C  
D  
E  
F  
G  
H  
I  
J  
K  
L  
M  
N  
O  
P

MIR

# DOOR MIRROR

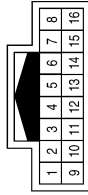
## < COMPONENT DIAGNOSIS >

Connector No.	D107
Connector Name	DOOR MIRROR RH
Connector Color	BLACK



Terminal No.	Color of Wire	Signal Name
1	Y/B	-
2	L/B	-
3	V/W	-

Connector No.	D102
Connector Name	WIRE TO WIRE
Connector Color	WHITE



Terminal No.	Color of Wire	Signal Name
6	L/B	-
7	V/W	-
8	Y/B	-

Connector No.	D4
Connector Name	DOOR MIRROR LH
Connector Color	BLACK



Terminal No.	Color of Wire	Signal Name
1	Y/R	-
2	L/R	-
3	V/W	-

AWLIA0906GB

# PRECAUTIONS

< PRECAUTION >

## PRECAUTION

### PRECAUTIONS

#### Precaution for Supplemental Restraint System (SRS) "AIR BAG" and "SEAT BELT PRE-TENSIONER"

INFOID:000000005777068

The Supplemental Restraint System such as "AIR BAG" and "SEAT BELT PRE-TENSIONER", used along with a front seat belt, helps to reduce the risk or severity of injury to the driver and front passenger for certain types of collision. This system includes seat belt switch inputs and dual stage front air bag modules. The SRS system uses the seat belt switches to determine the front air bag deployment, and may only deploy one front air bag, depending on the severity of a collision and whether the front occupants are belted or unbelted. Information necessary to service the system safely is included in the SR and SB section of this Service Manual.

#### **WARNING:**

- To avoid rendering the SRS inoperative, which could increase the risk of personal injury or death in the event of a collision which would result in air bag inflation, all maintenance must be performed by an authorized NISSAN/INFINITI dealer.
- Improper maintenance, including incorrect removal and installation of the SRS, can lead to personal injury caused by unintentional activation of the system. For removal of Spiral Cable and Air Bag Module, see the SR section.
- Do not use electrical test equipment on any circuit related to the SRS unless instructed to in this Service Manual. SRS wiring harnesses can be identified by yellow and/or orange harnesses or harness connectors.

#### PRECAUTIONS WHEN USING POWER TOOLS (AIR OR ELECTRIC) AND HAMMERS

#### **WARNING:**

- When working near the Airbag Diagnosis Sensor Unit or other Airbag System sensors with the Ignition ON or engine running, DO NOT use air or electric power tools or strike near the sensor(s) with a hammer. Heavy vibration could activate the sensor(s) and deploy the air bag(s), possibly causing serious injury.
- When using air or electric power tools or hammers, always switch the Ignition OFF, disconnect the battery, and wait at least 3 minutes before performing any service.

A  
B  
C  
D  
E  
F  
G  
H  
I  
J  
K  
M  
N  
O  
P

MIR

# PREPARATION

< SERVICE INFORMATION >

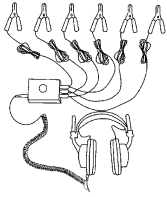
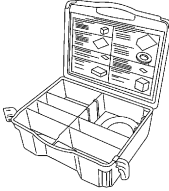
## SERVICE INFORMATION

### PREPARATION

#### Special Service Tool

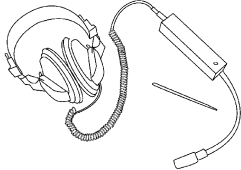
INFOID:000000005282595

The actual shapes of Kent-Moore tools may differ from those of special service tools illustrated here.

Tool number (Kent-Moore No.) Tool name	Description
<p>— (J-39570) Chassis ear</p>  <p style="text-align: right;">SIIA0993E</p>	<p>Locating the noise</p>
<p>— (J-43980) NISSAN Squeak and Rattle Kit</p>  <p style="text-align: right;">SIIA0994E</p>	<p>Repairing the cause of noise</p>

#### Commercial Service Tool

INFOID:000000005282596

(Kent-Moore No.) Tool name	Description
<p>(J-39565) Engine ear</p>  <p style="text-align: right;">SIIA0995E</p>	<p>Locating the noise</p>

# INSIDE MIRROR

< SERVICE INFORMATION >

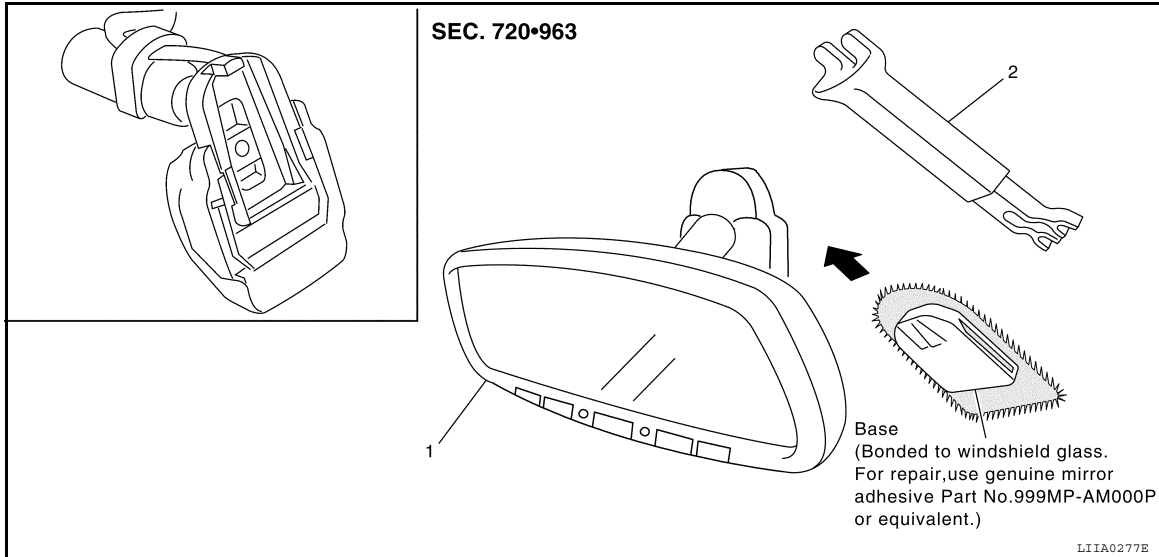
## INSIDE MIRROR

### Removal and Installation

INFOID:000000005282597

#### INSIDE MIRROR

1. Remove inside mirror finisher.
2. Slide the mirror upward to remove.
3. Disconnect the connector.



1. Inside mirror
2. Inside mirror finisher

Installation is in the reverse order of removal.

A  
B  
C  
D  
E  
F  
G  
H  
I  
J  
K  
L  
M  
N  
O  
P

MIR

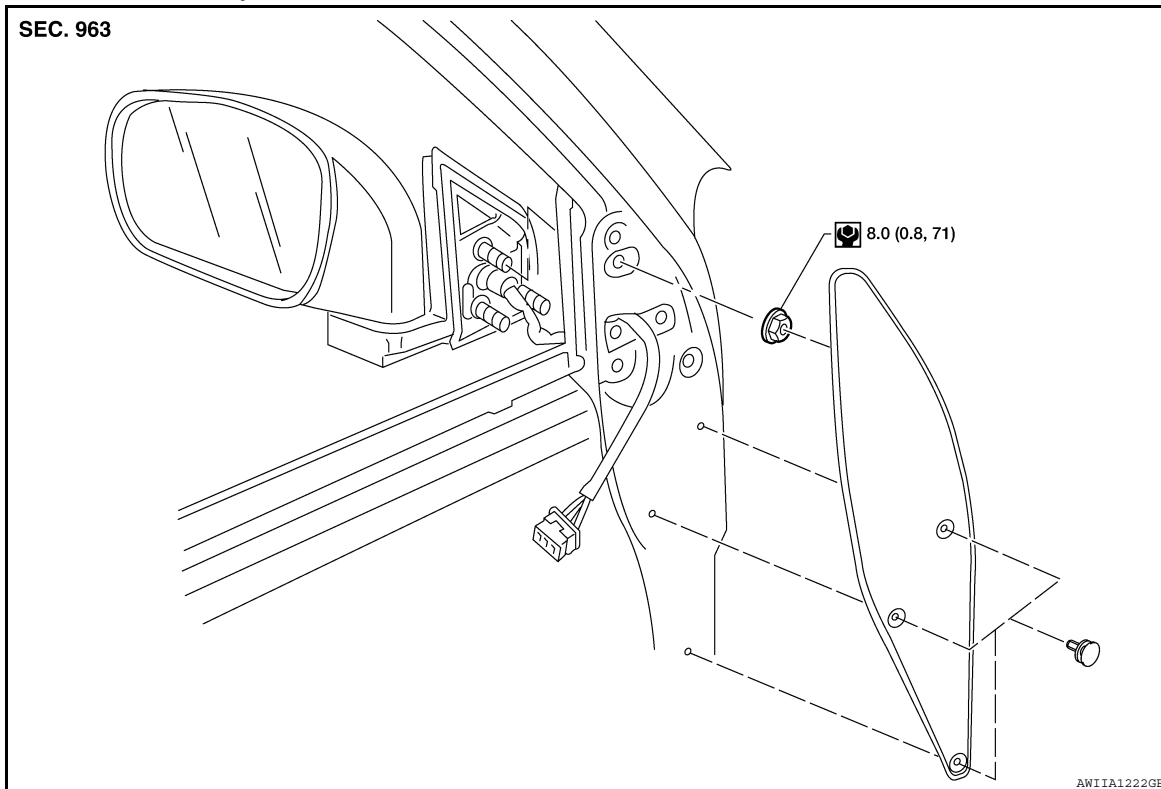
# DOOR MIRROR

< SERVICE INFORMATION >

## DOOR MIRROR

### Door Mirror Assembly

INFOID:000000005282598



### REMOVAL

#### NOTE:

Be careful not to damage the mirror bodies.

1. Remove the front door sash cover.
2. Remove the front door finisher. Refer to [INT-10, "Removal and Installation"](#).
3. Disconnect the door mirror harness connector.
4. Remove the nuts and the door mirror assembly.

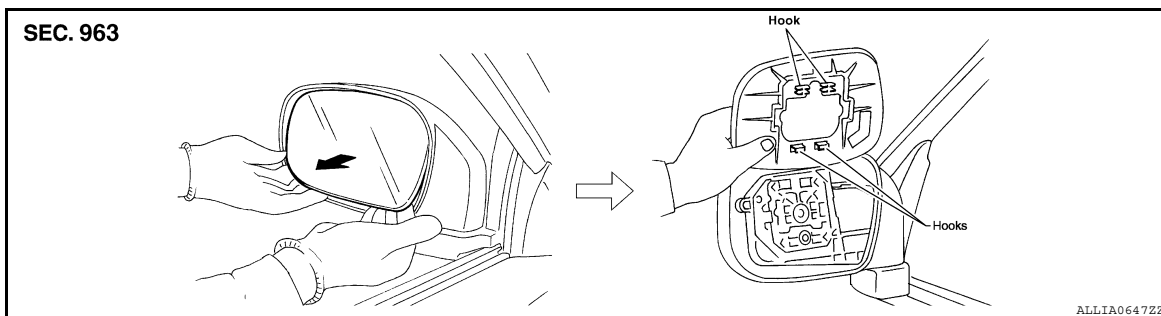
### INSTALLATION

Installation is in the reverse order of removal.

### Door Mirror Glass

INFOID:000000005282599

### REMOVAL AND INSTALLATION



1. Angle the mirror fully up.
2. Remove the mirror.
  - Pull from the bottom to disengage the clips.
  - Continue to pivot the mirror upward from the bottom to separate the hooks.

Installation is in the reverse order of removal.



# DOOR MIRROR

< DISASSEMBLY AND ASSEMBLY >

## DISASSEMBLY AND ASSEMBLY

### DOOR MIRROR

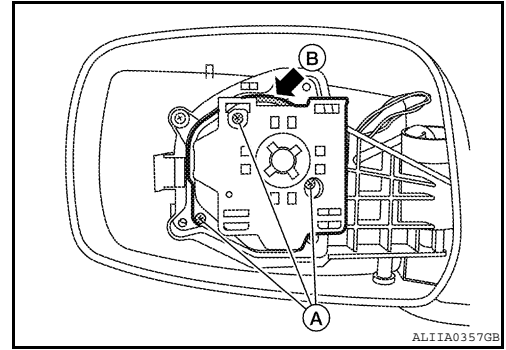
#### Mirror Actuator

INFOID:000000005282600

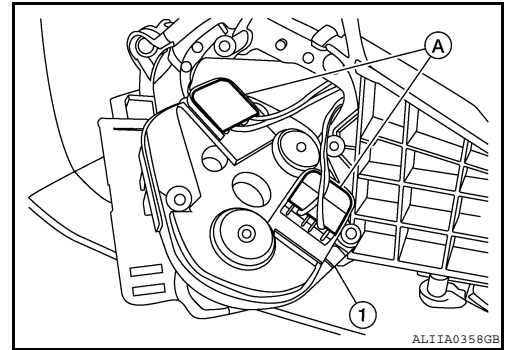
#### DISASSEMBLY AND ASSEMBLY

##### Disassembly

1. Remove the mirror glass. Refer to [MIR-8, "Door Mirror Glass"](#).
2. Remove the screws (A) and release the actuator from housing (B).



3. Disconnect the connectors (A) and remove the actuator (1).



##### Assembly

Assembly is the reverse order of disassembly.

A  
B  
C  
D  
E  
F  
G  
H  
I  
J  
K  
M  
N  
O  
P

MIR