

SECTION **BR**
BRAKE SYSTEM

A
B
C
D
E

CONTENTS

PRECAUTION	3	BRAKE MASTER CYLINDER	11	BR
PRECAUTIONS	3	On Board Inspection	11	
Precaution for Supplemental Restraint System (SRS) "AIR BAG" and "SEAT BELT PRE-TENSIONER"	3	BRAKE TUBE AND HOSE	12	G
Precaution for Brake System	3	Hydraulic Circuit	12	
PREPARATION	4	FRONT BRAKE	13	H
PREPARATION	4	FRONT BRAKE : Inspection	13	
Special Service Tool	4	REAR BRAKE	14	I
Commercial Service Tool	4	REAR BRAKE : Inspection	14	
FUNCTION DIAGNOSIS	5	ON-VEHICLE MAINTENANCE	15	J
NOISE, VIBRATION AND HARSHNESS (NVH) TROUBLESHOOTING	5	BRAKE PEDAL	15	
NVH Troubleshooting Chart	5	Inspection and Adjustment	15	K
BASIC INSPECTION	6	BRAKE FLUID	17	L
FRONT DISC BRAKE	6	On Board Inspection	17	
BRAKE PAD	6	Drain and Refill	17	M
BRAKE PAD : Inspection	6	Bleeding Brake System	17	
DISC ROTOR	6	ON-VEHICLE REPAIR	19	N
DISC ROTOR : Inspection	6	BRAKE PEDAL	19	
REAR DISC BRAKE	8	Exploded View	19	O
BRAKE PAD	8	Removal and Installation	19	
BRAKE PAD : Inspection	8	BRAKE TUBE AND HOSE	21	P
DISC ROTOR	8	Hydraulic Circuit	21	
DISC ROTOR : Inspection	8	Removal and Installation of Front Brake Piping and Brake Hose	22	
BRAKE BOOSTER	9	Removal and Installation of Rear Brake Piping and Brake Hose	23	
Inspection	9	Inspection After Installation	24	
VACUUM LINES	10	BRAKE MASTER CYLINDER	26	
Inspection	10	Removal and Installation	26	
		BRAKE BOOSTER	28	
		Removal and Installation	28	
		VACUUM LINES	30	

Removal and Installation	30	FRONT DISC BRAKE	41
FRONT DISC BRAKE	31	Exploded View of Brake Caliper	41
Exploded View of Brake Pads	31	Disassembly and Assembly	42
Removal and Installation of Brake Pad	31	REAR DISC BRAKE	44
Brake Burnishing	32	Exploded View of Brake Caliper	44
Exploded View of Brake Caliper	33	Disassembly and Assembly	44
Removal and Installation of Brake Caliper and Disc Rotor	33	SERVICE DATA AND SPECIFICATIONS (SDS)	47
REAR DISC BRAKE	36	SERVICE DATA AND SPECIFICATIONS (SDS)	47
Exploded View of Brake Pad	36	General Specification	47
Removal and Installation of Brake Pad	36	Brake Pedal	47
Brake Burnishing	37	Brake Booster	48
Exploded View of Brake Caliper	38	Check Valve	48
Removal and Installation of Brake Caliper and Disc Rotor	38	Front Disc Brake	48
DISASSEMBLY AND ASSEMBLY	41	Rear Disc Brake	48

PRECAUTIONS

< PRECAUTION >

PRECAUTION

PRECAUTIONS

Precaution for Supplemental Restraint System (SRS) "AIR BAG" and "SEAT BELT PRE-TENSIONER"

INFOID:000000005612475

The Supplemental Restraint System such as "AIR BAG" and "SEAT BELT PRE-TENSIONER", used along with a front seat belt, helps to reduce the risk or severity of injury to the driver and front passenger for certain types of collision. This system includes seat belt switch inputs and dual stage front air bag modules. The SRS system uses the seat belt switches to determine the front air bag deployment, and may only deploy one front air bag, depending on the severity of a collision and whether the front occupants are belted or unbelted. Information necessary to service the system safely is included in the SR and SB section of this Service Manual.

WARNING:

- To avoid rendering the SRS inoperative, which could increase the risk of personal injury or death in the event of a collision which would result in air bag inflation, all maintenance must be performed by an authorized NISSAN/INFINITI dealer.
- Improper maintenance, including incorrect removal and installation of the SRS, can lead to personal injury caused by unintentional activation of the system. For removal of Spiral Cable and Air Bag Module, see the SR section.
- Do not use electrical test equipment on any circuit related to the SRS unless instructed to in this Service Manual. SRS wiring harnesses can be identified by yellow and/or orange harnesses or harness connectors.

PRECAUTIONS WHEN USING POWER TOOLS (AIR OR ELECTRIC) AND HAMMERS

WARNING:

- When working near the Airbag Diagnosis Sensor Unit or other Airbag System sensors with the Ignition ON or engine running, DO NOT use air or electric power tools or strike near the sensor(s) with a hammer. Heavy vibration could activate the sensor(s) and deploy the air bag(s), possibly causing serious injury.
- When using air or electric power tools or hammers, always switch the Ignition OFF, disconnect the battery, and wait at least 3 minutes before performing any service.

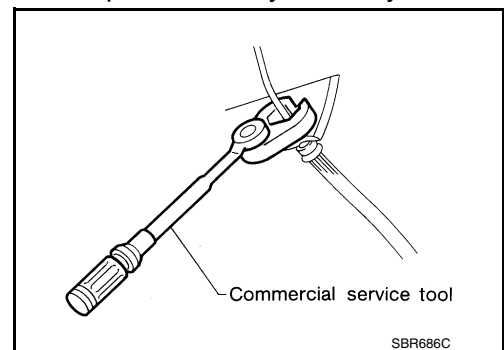
Precaution for Brake System

INFOID:000000005268721

- Recommended fluid is Genuine NISSAN Super Heavy Duty Brake Fluid or equivalent. Refer to [MA-12, "Fluids and Lubricants"](#).
- Do not reuse drained brake fluid.
- Be careful not to splash brake fluid on painted areas.
- To clean or wash all parts of master cylinder, disc brake caliper and wheel cylinder, use clean brake fluid.
- Do not use mineral oils such as gasoline or kerosene. They will ruin rubber parts of the hydraulic system.
- Use flare nut wrench when removing and installing brake tube.
- Always check tightening torque when installing brake lines.
- Before working, turn ignition switch to OFF and disconnect connectors for ABS actuator and electric unit (control unit) or battery negative terminal.
- Burnish the brake contact surfaces after refinishing or replacing drums or rotors, after replacing pads or linings, or if a soft pedal occurs at very low mileage. Refer to [BR-32, "Brake Burnishing"](#).

WARNING:

- Clean brake pads and shoes with a waste cloth, then wipe with a dust collector.



PREPARATION

< PREPARATION >

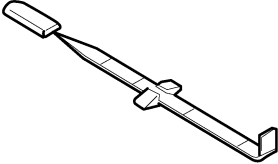
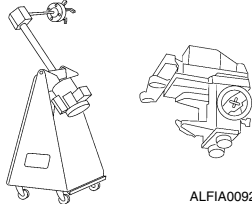
PREPARATION

PREPARATION

Special Service Tool

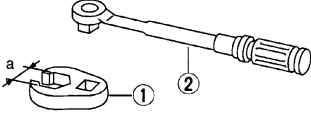

INFOID:000000005268722

The actual shapes of Kent-Moore tools may differ from those of special service tools illustrated here.

Tool number (Kent-Moore No.) Tool name		Description
— (J-46532) Brake and clutch pedal height measurement tool		Measuring brake pedal height
38-PFM90.5 (—) Pro-Cut PFM 90 On-Car Brake Lathe		Turning rotors

Commercial Service Tool

INFOID:000000005268723

Tool name		Description
1. Flare nut crowfoot 2. Torque wrench		Removing and installing brake piping a: 10 mm (0.39 in) / 12 mm (0.47 in)
Power tool		Removing nuts, bolts and screws

FRONT DISC BRAKE

< BASIC INSPECTION >

BASIC INSPECTION

FRONT DISC BRAKE

BRAKE PAD

BRAKE PAD : Inspection

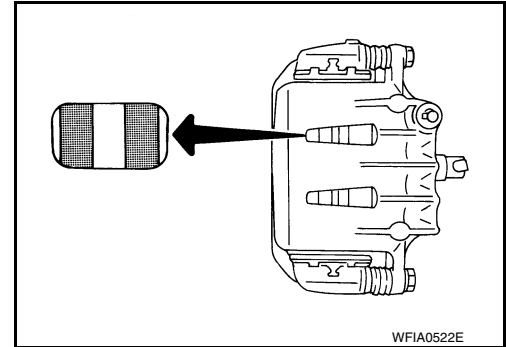
INFOID:000000005268725

PAD WEAR

Check pad thickness from the inspection holes on cylinder body.
Check using a scale if necessary.

Standard thickness (new) : Refer to [BR-48, "Front Disc Brake"](#).

Repair limit thickness : Refer to [BR-48, "Front Disc Brake"](#).



DISC ROTOR

DISC ROTOR : Inspection

INFOID:000000005268726

VISUAL

Check surface of disc rotor for uneven wear, cracks, and serious damage. Replace as necessary.

RUNOUT

1. Attach disc rotor to wheel hub using wheel nuts at two or more positions.
2. Inspect runout using a dial gauge placed at 10 mm (0.39 in) inside the disc edge.

Runout limit : Refer to [BR-48, "Front Disc Brake"](#).

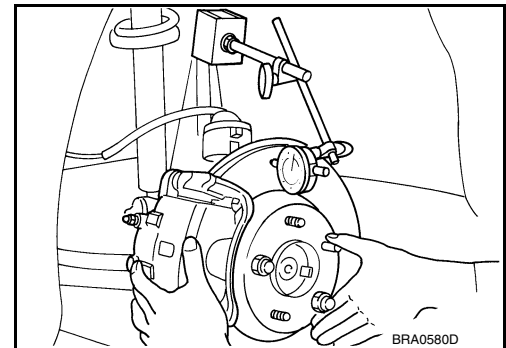
(with it attached to the vehicle)

NOTE:

Before measuring, make sure that wheel bearing axial end play is within the specification. Refer to [FAX-5, "On-Vehicle Inspection and Service"](#).

3. When runout exceeds limit value, displace mounting positions of disc rotor by one hole. And then find a position of the minimum value for runout.
4. If runout is outside the specified value after performing the above operation, turn disc rotor using Tool.

Tool number : 38-PFM90.5 (—)



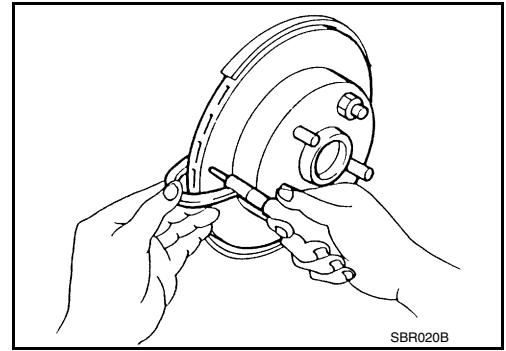
THICKNESS

FRONT DISC BRAKE

< BASIC INSPECTION >

Check thickness of the disc rotor using a micrometer. Replace disc rotor if thickness is less than the repair limit thickness.

- Standard thickness (new)** : Refer to [BR-48, "Front Disc Brake"](#).
- Repair limit thickness** : Refer to [BR-48, "Front Disc Brake"](#).
- Maximum uneven wear (measured at 8 positions)** : Refer to [BR-48, "Front Disc Brake"](#).



A
B
C
D
E
F
G
H
I
J
K
L
M
N
O
P

BR

REAR DISC BRAKE

< BASIC INSPECTION >

REAR DISC BRAKE

BRAKE PAD

BRAKE PAD : Inspection

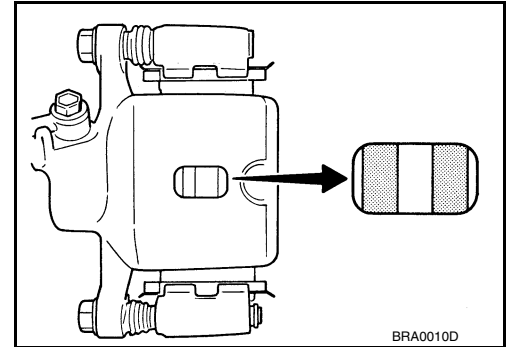
INFOID:000000005268727

PAD WEAR

Check pad thickness from an inspection hole on cylinder body.
Check using a scale if necessary.

Standard thickness (new) : Refer to [BR-48, "Rear Disc Brake"](#).

Repair limit thickness : Refer to [BR-48, "Rear Disc Brake"](#).



DISC ROTOR

DISC ROTOR : Inspection

INFOID:000000005268728

VISUAL

Check surface of disc rotor for uneven wear, cracks, and serious damage. Replace as necessary.

RUNOUT

1. Attach disc rotor to wheel hub using wheel nuts at two or more positions.
2. Inspect runout using dial gauge placed at 10 mm (0.39 in) inside disc edge as shown.

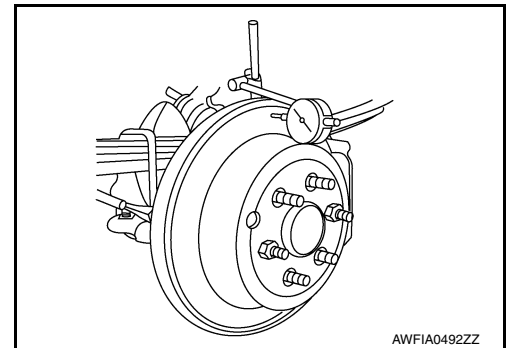
Runout limit : Refer to [BR-48, "Rear Disc Brake"](#).
(with it attached to the vehicle)

NOTE:

Before measuring, make sure that wheel bearing axial end play is within the specification. Refer to [RAX-15, "Axle Specification"](#) (C200), [RAX-26, "Axle Bearing"](#) (M226).

3. When runout exceeds limit value, displace mounting positions of disc rotor by one hole. And then find a position of the minimum value for runout.
4. If runout is outside the specified value after performing the above operation, turn disc rotor using Tool.

Tool number : 38-PFM90.5 (—)



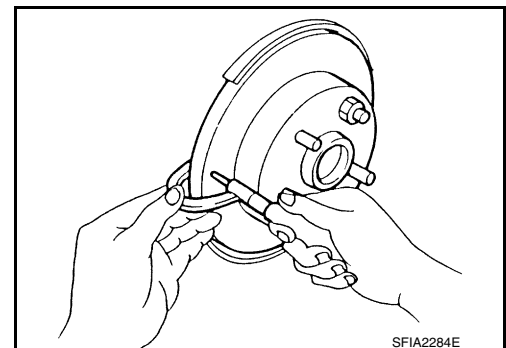
THICKNESS

Check the thickness of the disc rotor using a micrometer. Replace disc rotor if the thickness is less than the repair limit thickness.

Standard thickness (new) : Refer to [BR-48, "Rear Disc Brake"](#).

Repair limit thickness : Refer to [BR-48, "Rear Disc Brake"](#).

Maximum uneven wear (measured at 8 positions) : Refer to [BR-48, "Rear Disc Brake"](#).



BRAKE BOOSTER

< BASIC INSPECTION >

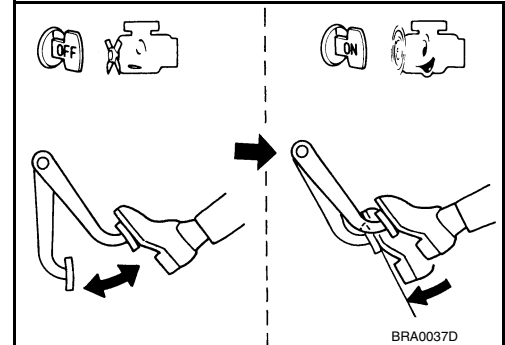
BRAKE BOOSTER

Inspection

INFOID:000000005268729

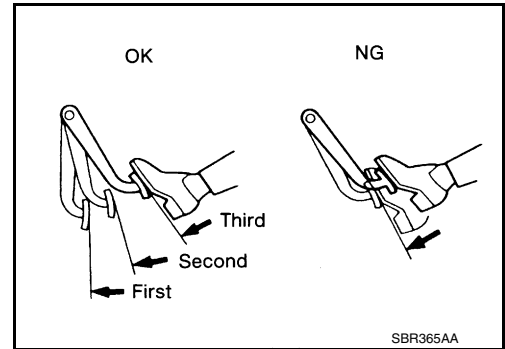
OPERATION

With engine stopped, change vacuum to atmospheric pressure by depressing brake pedal several times. Then with brake pedal fully depressed, start engine and when vacuum pressure reaches the standard, make sure that clearance between brake pedal and floor panel decreases.



AIR TIGHT

• Run engine at idle for approximately 1 minute, and stop it after applying vacuum to booster. Depress brake pedal normally to change vacuum to atmospheric pressure. Make sure that distance at intervals of 5 seconds between brake pedal and floor panel gradually increases.



• Depress brake pedal while engine is running, and stop engine with pedal depressed. The pedal stroke should not change after holding pedal down for 30 seconds.

VACUUM LINES

< BASIC INSPECTION >

VACUUM LINES

Inspection

INFOID:000000005268730

VISUAL INSPECTION

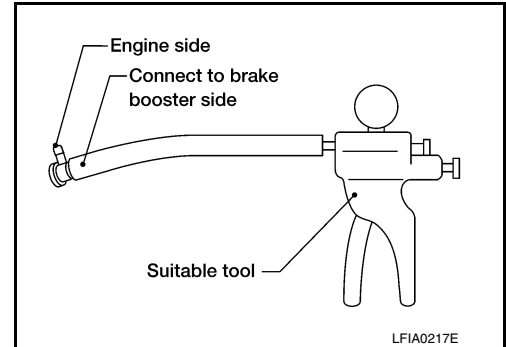
Check for improper assembly, damage and deterioration. Replace as necessary.

CHECK VALVE INSPECTION

Airtightness Inspection

Use a suitable vacuum pump to check. Connect to brake booster side of check valve.

Check valve specification : Refer to [BR-48, "Check Valve"](#).



BRAKE MASTER CYLINDER

< BASIC INSPECTION >

BRAKE MASTER CYLINDER

On Board Inspection

INFOID:000000005268731

LEAK INSPECTION

Check for leaks at master cylinder to brake booster attachment point, reservoir tank, and brake tube connections.

A

B

C

D

E

BR

G

H

I

J

K

L

M

N

O

P

BRAKE TUBE AND HOSE

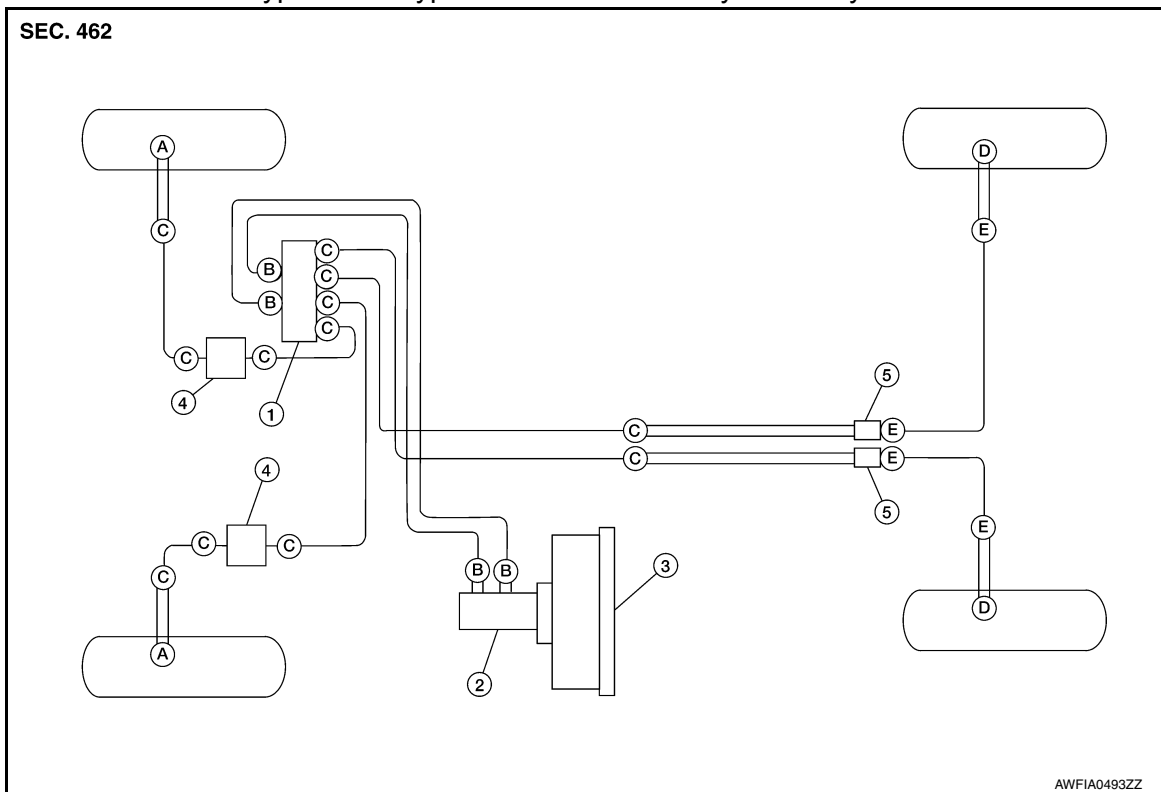
< BASIC INSPECTION >

BRAKE TUBE AND HOSE

Hydraulic Circuit

INFOID:000000005268732

Type 1 and Type 2 - Four Channel Hydraulic System

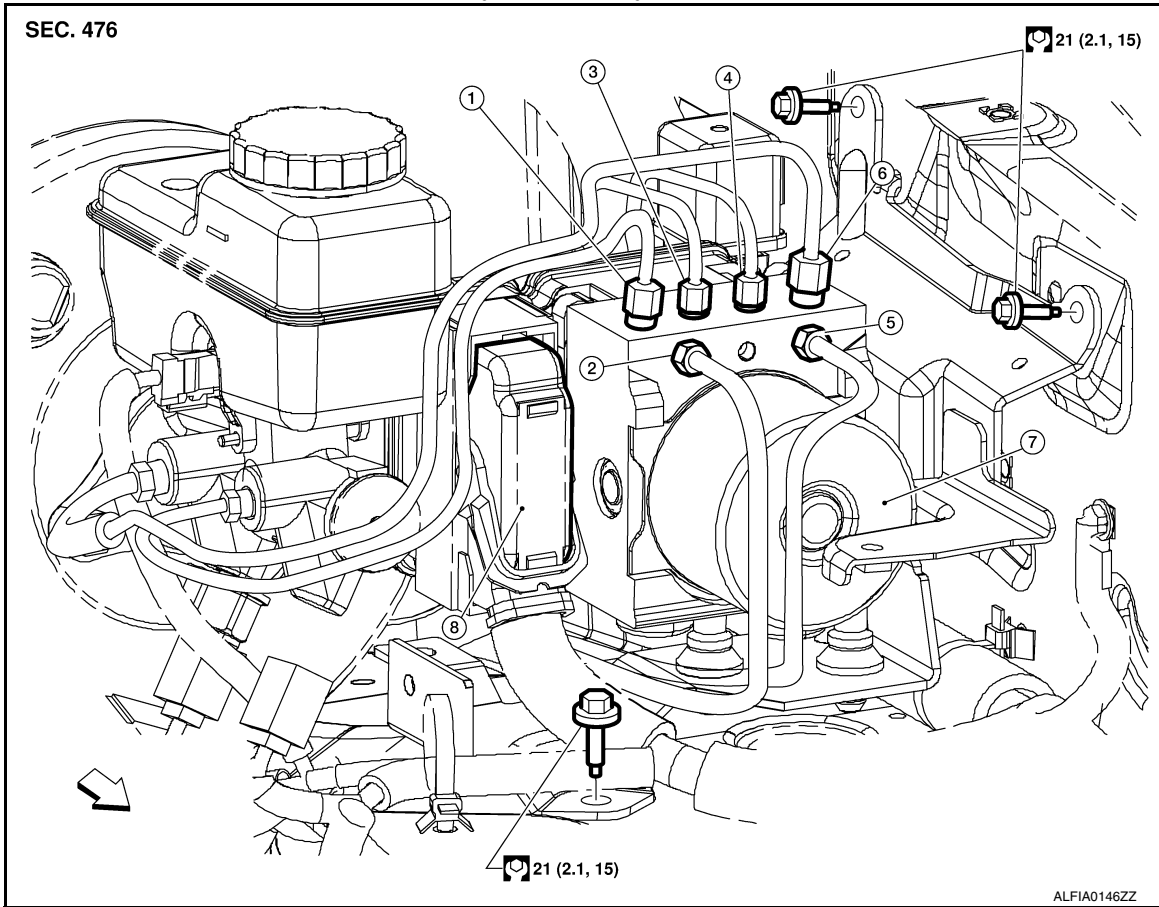


- | | | |
|---|--|--|
| 1. Actuator | 2. Master cylinder | 3. Brake booster |
| 4. Connector | 5. Axle mounted connector
9.3 N·m (0.95 kg-m, 82 in-lb) | A. Union bolt (front caliper)
18.2 N·m (1.9 kg-m, 13 ft-lb) |
| B. Flare nut M12
18.2 N·m (1.9 kg-m, 13 ft-lb) | C. Flare nut M10
13.0 N·m (1.3 kg-m, 10 ft-lb) | D. Hose connection (rear caliper)
18.2 N·m (1.9 kg-m, 13 ft-lb) |
| E. Flare nut M10
16.2 N·m (1.7 kg-m, 12 ft-lb) | | |

BRAKE TUBE AND HOSE

< BASIC INSPECTION >

Type 1 and Type 2



- | | | |
|---|--|---|
| 1. From master cylinder secondary side
18.2 N·m (1.9 kg-m, 13 ft-lb) | 2. To rear right disc brake
13.0 N·m (1.3 kg-m, 10 ft-lb) | 3. To rear left disc brake
13.0 N·m (1.3 kg-m, 10 ft-lb) |
| 4. To front right disc brake
13.0 N·m (1.3 kg-m, 10 ft-lb) | 5. To front left disc brake
13.0 N·m (1.3 kg-m, 10 ft-lb) | 6. From master cylinder primary side
18.2 N·m (1.9 kg-m, 13 ft-lb) |
| 7. ABS actuator and electric unit (control unit) | 8. Harness connector | ⇐ Front |

CAUTION:

- All hoses and piping (tubes) must be free from excessive bending, twisting and pulling.
- Make sure there is no interference with other parts when turning steering both clockwise and counterclockwise.
- The brake piping is an important safety part. If a brake fluid leak is detected, always disassemble the parts. Replace applicable part with a new one, if necessary.
- Be careful not to splash brake fluid on painted areas; it may cause paint damage. If brake fluid is splashed on painted areas, wash it away with water immediately.
- Do not bend or twist brake hose sharply, or strongly pull it.
- When removing components, cover connections so that no dirt, dust, or other foreign matter gets in.
- Do not reuse drained brake fluid.
- After installation of the ABS actuator and electric unit (control unit), refill brake system with new brake fluid. Then bleed the air from the system. Refer to [BR-17, "Bleeding Brake System"](#).

FRONT BRAKE

FRONT BRAKE : Inspection

INFOID:000000005268733

INSPECTION AFTER REMOVAL

CAUTION:

Brake tubes and hoses are important safety parts. Always disassemble the parts and retighten their fittings, if a brake fluid leak is detected. Replace applicable part with a new one, if damaged part is detected.

BRAKE TUBE AND HOSE

< BASIC INSPECTION >

1. Check brake lines (tubes and hoses) and connections for fluid leaks, damage, twists, deformation, contact with other parts, and loose connections. Replace any parts as necessary. Refer to [BR-12. "Hydraulic Circuit"](#).
2. While depressing brake pedal under a force of 785 N (80 kg-f, 177 lb-f) with engine running for approximately 5 seconds, check each part for fluid leaks.

REAR BRAKE

REAR BRAKE : Inspection

INFOID:000000005268734

INSPECTION AFTER REMOVAL

CAUTION:

Brake tubes and hoses are important safety parts. Always disassemble the parts and retighten their fittings, if a brake fluid leak is detected. Replace applicable part with a new one, if damaged part is detected.

1. Check brake lines (tubes and hoses) and connections for fluid leaks, damage, twists, deformation, contact with other parts, and loose connections. Replace any parts as necessary. Refer to [BR-12. "Hydraulic Circuit"](#).
2. While depressing brake pedal under a force of 785 N (80 kg-f, 177 lb-f) with engine running for approximately 5 seconds, check each part for fluid leaks.

BRAKE PEDAL

< ON-VEHICLE MAINTENANCE >

ON-VEHICLE MAINTENANCE

BRAKE PEDAL

Inspection and Adjustment

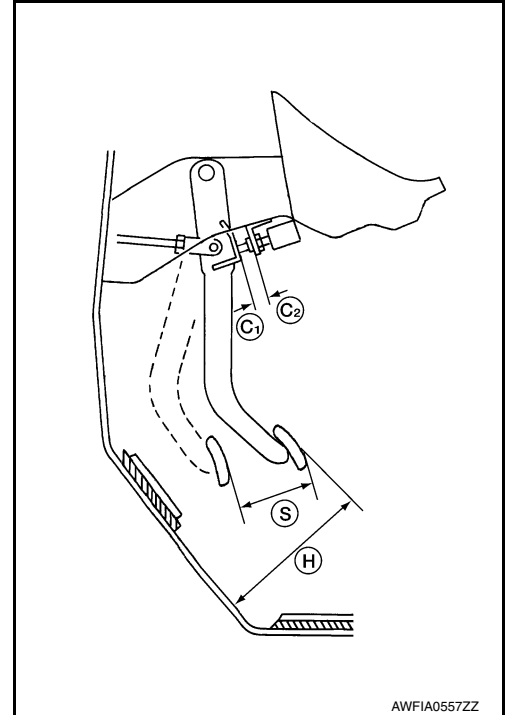
INFOID:000000005268735

INSPECTION

1. Inspect the brake pedal free height (H) from the floor using Tool at a 90° angle to the floor as shown.

Tool number : — (J-46532)

2. Adjust the brake pedal height to specifications.



Brake Pedal Specifications

Unit: mm (in)

Pedal free height (H)	M/T	Refer to BR-47. "Brake Pedal" .
	A/T	Refer to BR-47. "Brake Pedal" .
Pedal full stroke (S)		Refer to BR-47. "Brake Pedal" .
Clearance between pedal stopper and threaded end of stop lamp switch and ASCD switch (C1) or (C2)		Refer to BR-47. "Brake Pedal" .

ADJUSTMENT

1. Loosen the stop lamp switch and ASCD cancel switch by turning 45° counterclockwise.

BRAKE PEDAL

< ON-VEHICLE MAINTENANCE >

- Loosen lock nut (A) on the input rod, then turn input rod to adjust the brake pedal to specified height. When finished adjusting, tighten lock nut (A) to specification.

Lock nut (A) : 18.7 N·m (1.9 kg-m, 14 ft-lb)

CAUTION:

Make sure that the screw portion of the end of input rod is located inside the clevis.

- With the brake pedal pulled up and held by hand, press the stop lamp switch and the ASCD cancel switch in until threaded ends contact the brake pedal bracket.
- With the threaded ends of the stop lamp switch and ASCD switch contacting the pedal bracket, turn the switches 45° clockwise to lock in place. Check that the stop lamp switch and ASCD cancel switch threaded end to brake pedal bracket gap (C) is within specifications.

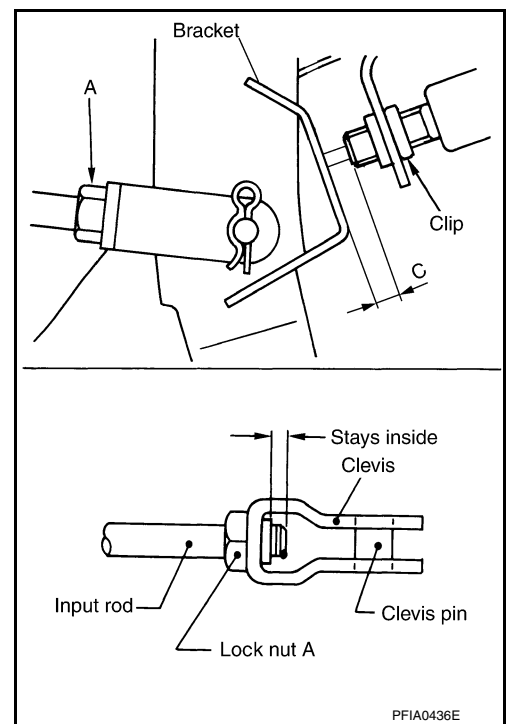
CAUTION:

Make sure that the gap (C) between the brake pedal bracket and stop lamp switch and ASCD cancel switch threaded ends are within specification.

- Check the brake pedal for smooth operation.

CAUTION:

Make sure that the stop lamp goes off when the brake pedal is released.



BRAKE FLUID

< ON-VEHICLE MAINTENANCE >

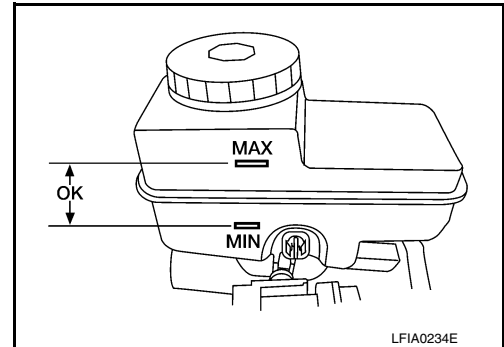
BRAKE FLUID

On Board Inspection

INFOID:000000005268736

LEVEL CHECK

- Check that the brake fluid level in the reservoir tank is within specification, between the MAX and MIN lines as shown.
- Visually check around reservoir tank for fluid leaks.
- If fluid level is excessively low, check brake system for leaks.
- If brake warning lamp remains illuminated after the parking brake pedal is released, check the brake system for any brake fluid leaks.



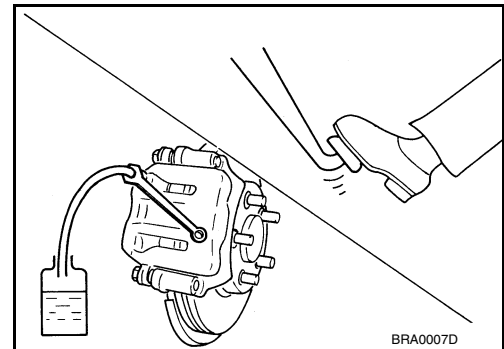
Drain and Refill

INFOID:000000005268737

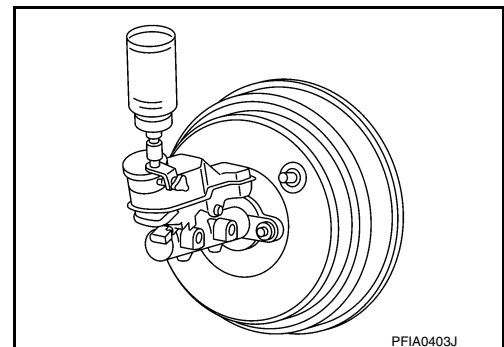
CAUTION:

- Refill with new brake fluid. Refer to [MA-12, "Fluids and Lubricants"](#).
- Do not reuse drained brake fluid.
- Do not let brake fluid splash on the painted surfaces of the body. This might damage the paint, so when splashing it, immediately wipe off the area and wash away with water.
- Before servicing, disconnect ABS actuator and electric unit (control unit) connector or battery negative terminal.

1. Turn ignition switch OFF and disconnect ABS actuator and electric unit (control unit) connector or battery negative terminal.
2. Connect a vinyl tube to each bleed valve.
3. Depress brake pedal, loosen each bleed valve, and gradually remove brake fluid.



4. Make sure there is no foreign material in reservoir tank, and refill with new brake fluid.
5. Rest foot on brake pedal. Loosen bleed valve. Slowly depress brake pedal until it stops. Tighten bleed valve. Release brake pedal. Repeat the process a few times, then pause to add new brake fluid to master cylinder. Continue until the new brake fluid flows out of the bleed valve. Bleed the air out of the brake hydraulic system. Refer to [BR-17, "Bleeding Brake System"](#).



Bleeding Brake System

INFOID:000000005268738

CAUTION:

- Refill with new brake fluid. Refer to [MA-12, "Fluids and Lubricants"](#).
- Do not reuse drained brake fluid.

A
B
C
D
E
BR
G
H
I
J
K
L
M
N
O
P

BRAKE FLUID

< ON-VEHICLE MAINTENANCE >

- Do not let brake fluid splash on the painted surfaces of the body. This might damage the paint, so when splashing it, immediately wipe off the area and wash away with water.
 - Before servicing, disconnect ABS actuator and electric unit (control unit) connector or battery negative terminal.
 - While bleeding, monitor the master cylinder brake fluid level.
1. Turn ignition switch OFF and disconnect ABS actuator and electric unit (control unit) connector or battery negative terminal.
 2. Connect a vinyl tube to the rear right bleed valve.
 3. Fully depress brake pedal 4 to 5 times.
 4. With brake pedal depressed, loosen bleed valve to let the air out, and then tighten it immediately.
 5. Repeat steps 3 and 4 until no more air comes out.
 6. Tighten bleed valve to the specified torque. Refer to [BR-33, "Exploded View of Brake Caliper"](#) (front disc brake), [BR-38, "Exploded View of Brake Caliper"](#) (rear disc brake).
 7. Perform steps 2 to 6 at each wheel, with master cylinder reservoir tank filled at least half way, bleed air from the front left, rear left, and front right bleed valve, in that order.

BRAKE PEDAL

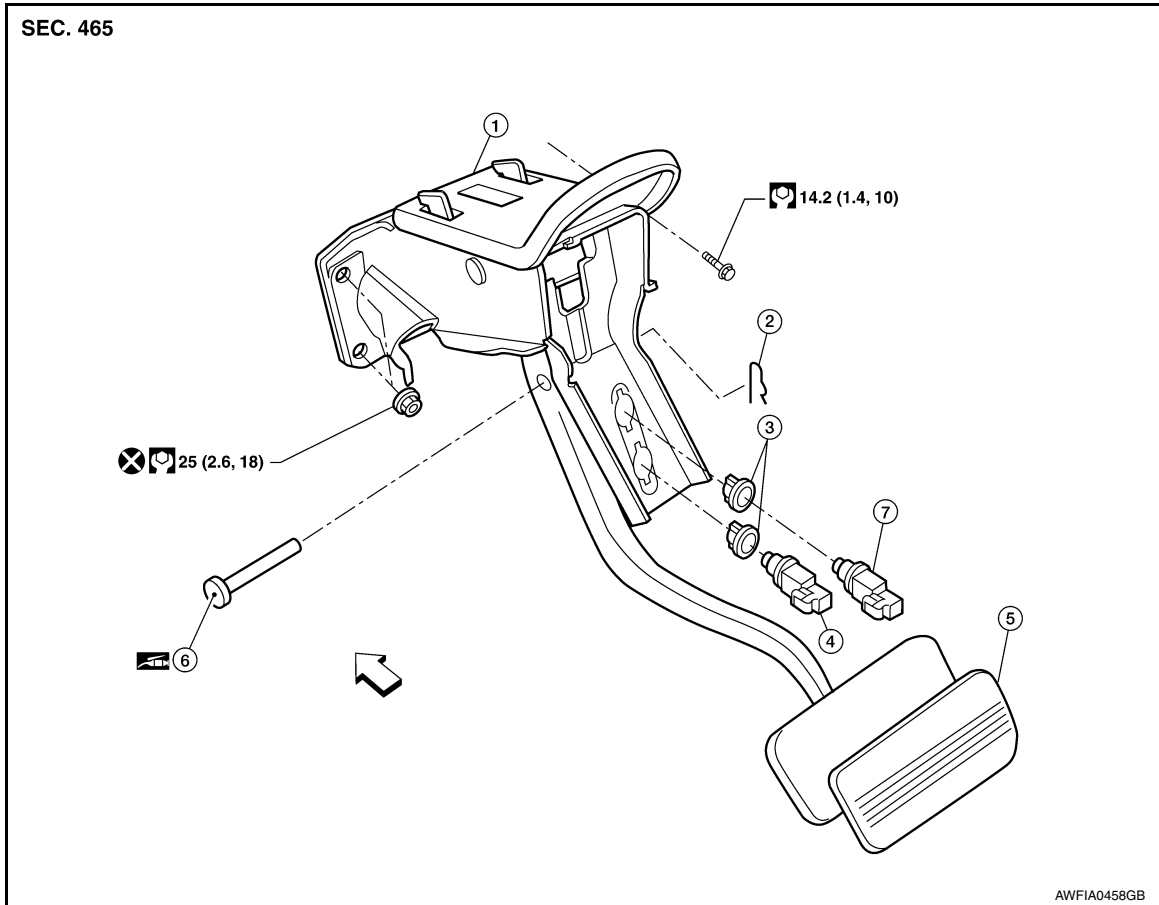
< ON-VEHICLE REPAIR >

ON-VEHICLE REPAIR

BRAKE PEDAL

Exploded View

INFOID:000000005268739



- | | | |
|-------------------------|--------------|---------------|
| 1. Brake pedal assembly | 2. Snap pin | 3. Clip |
| 4. Stop lamp switch | 5. Pedal pad | 6. Clevis pin |
| 7. ASCD cancel switch | ← Front | |

NOTE:

The clevis pin may be installed from either direction.

Removal and Installation

INFOID:000000005268740

REMOVAL

WARNING:

Do not deform the brake tube.

CAUTION:

- Do not disassemble the brake pedal assembly.
 - Avoid damage from dropping the brake pedal assembly during handling.
 - Keep the brake pedal assembly away from water.
1. Remove the lower instrument panel LH. Refer to [IP-10, "Exploded View"](#).
 2. Remove the stop lamp switch and ASCD cancel switch from the pedal assembly.
 3. Remove snap pin and clevis pin from the clevis of the brake booster.
 4. Remove the brake pedal assembly bolt.
 5. Remove the pedal assembly nuts and discard, then remove the pedal assembly.
 - Temporarily install the nuts by hand to support the booster.

BRAKE PEDAL

< ON-VEHICLE REPAIR >

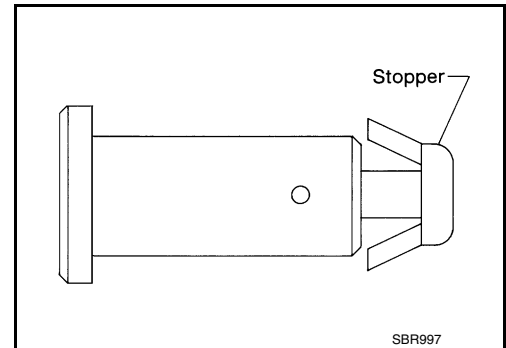
CAUTION:

Do not reuse the nuts for installation.

INSPECTION AFTER REMOVAL

Check brake pedal for following items.

- Cracking or deformation of the clevis pin stopper
- Clevis pin deformation
- Crack of any welded portion
- Brake pedal bent or deformed



INSTALLATION

Installation is in the reverse order of removal.

- Check the brake pedal for smooth operation. There should be no binding or sticking when applying or releasing the brake pedal.
- After installing the brake pedal assembly, adjust it as necessary. Refer to [BR-15, "Inspection and Adjustment"](#).

CAUTION:

Do not reuse the nuts for installation, discard and install with new lock nuts.

BRAKE TUBE AND HOSE

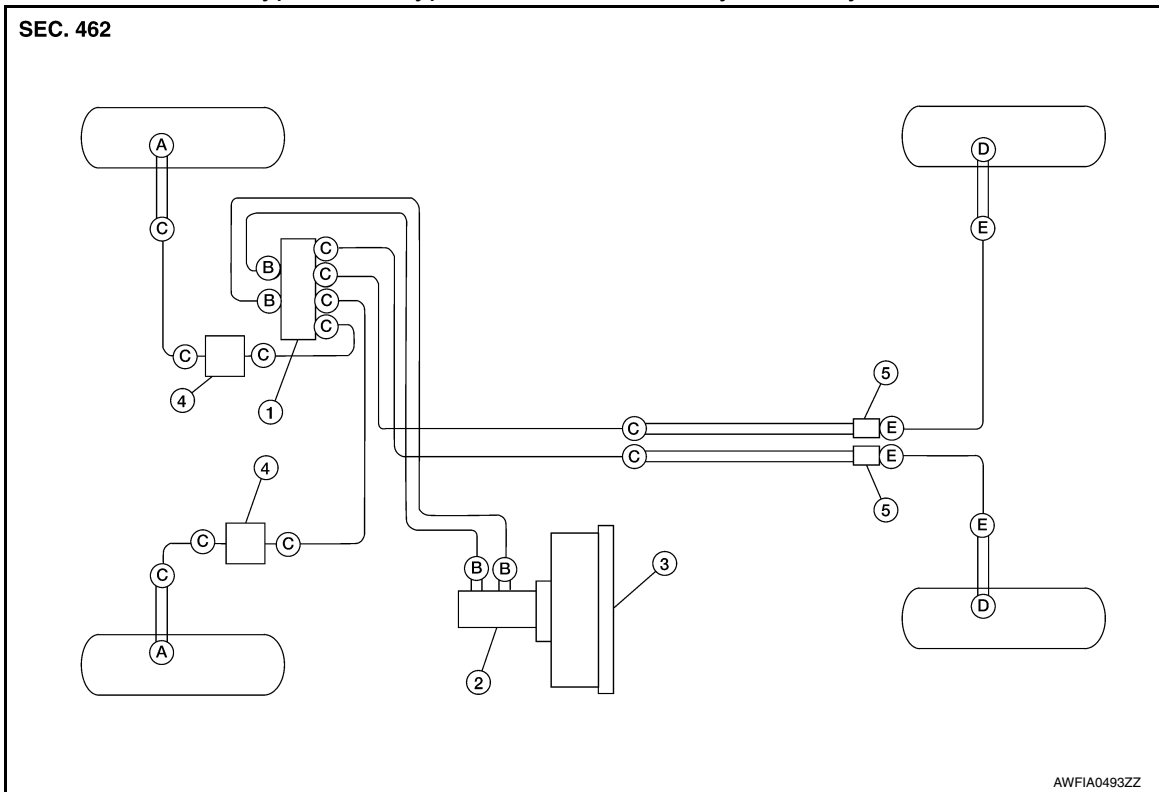
< ON-VEHICLE REPAIR >

BRAKE TUBE AND HOSE

Hydraulic Circuit

INFOID:000000005268741

Type 1 and Type 2 - Four Channel Hydraulic System



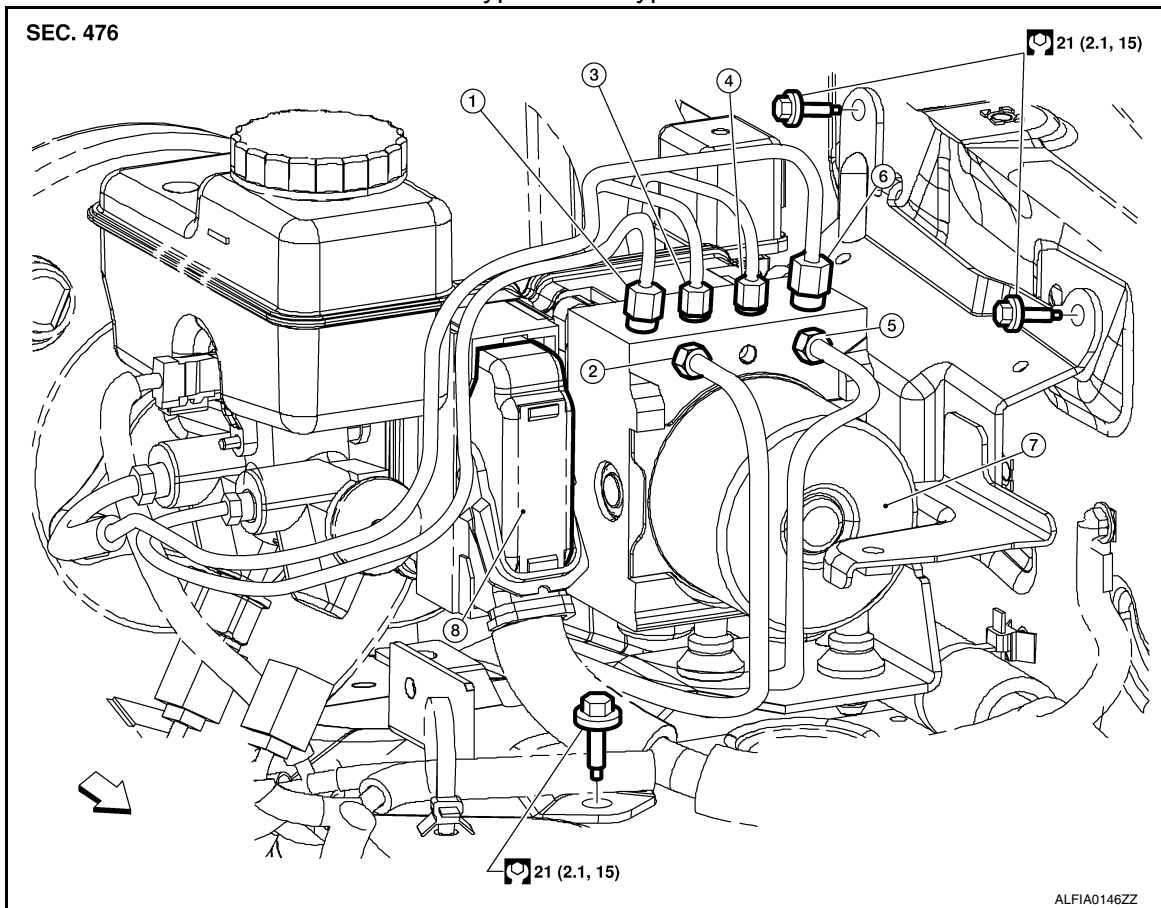
- | | | |
|---|--|--|
| 1. Actuator | 2. Master cylinder | 3. Brake booster |
| 4. Connector | 5. Axle mounted connector
9.3 N·m (0.95 kg·m, 82 in·lb) | A. Union bolt (front caliper)
18.2 N·m (1.9 kg·m, 13 ft·lb) |
| B. Flare nut M12
18.2 N·m (1.9 kg·m, 13 ft·lb) | C. Flare nut M10
13.0 N·m (1.3 kg·m, 10 ft·lb) | D. Hose connection (rear caliper)
18.2 N·m (1.9 kg·m, 13 ft·lb) |
| E. Flare nut M10
16.2 N·m (1.7 kg·m, 12 ft·lb) | | |

A
B
C
D
E
BR
G
H
I
J
K
L
M
N
O
P

BRAKE TUBE AND HOSE

< ON-VEHICLE REPAIR >

Type 1 and Type 2



- | | | |
|---|--|---|
| 1. From master cylinder secondary side
18.2 N·m (1.9 kg-m, 13 ft-lb) | 2. To rear right disc brake
13.0 N·m (1.3 kg-m, 10 ft-lb) | 3. To rear left disc brake
13.0 N·m (1.3 kg-m, 10 ft-lb) |
| 4. To front right disc brake
13.0 N·m (1.3 kg-m, 10 ft-lb) | 5. To front left disc brake
13.0 N·m (1.3 kg-m, 10 ft-lb) | 6. From master cylinder primary side
18.2 N·m (1.9 kg-m, 13 ft-lb) |
| 7. ABS actuator and electric unit (control unit) | 8. Harness connector | ⇐ Front |

CAUTION:

- All hoses and piping (tubes) must be free from excessive bending, twisting and pulling.
- Make sure there is no interference with other parts when turning steering both clockwise and counterclockwise.
- The brake piping is an important safety part. If a brake fluid leak is detected, always disassemble the parts. Replace applicable part with a new one, if necessary.
- Be careful not to splash brake fluid on painted areas; it may cause paint damage. If brake fluid is splashed on painted areas, wash it away with water immediately.
- Do not bend or twist brake hose sharply, or strongly pull it.
- When removing components, cover connections so that no dirt, dust, or other foreign matter gets in.
- Do not reuse drained brake fluid.
- After installation of the ABS actuator and electric unit (control unit), refill brake system with new brake fluid. Then bleed the air from the system. Refer to [BR-17, "Bleeding Brake System"](#).

Removal and Installation of Front Brake Piping and Brake Hose

INFOID:000000005268742

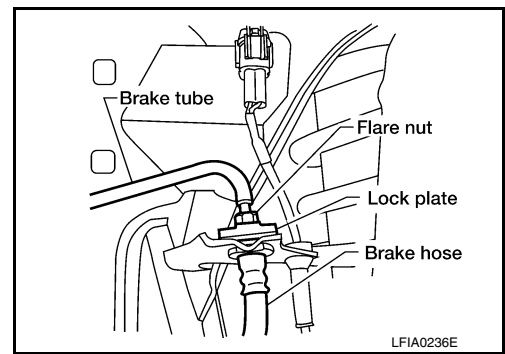
REMOVAL

1. Drain brake fluid. Refer to [BR-17, "Drain and Refill"](#).

BRAKE TUBE AND HOSE

< ON-VEHICLE REPAIR >

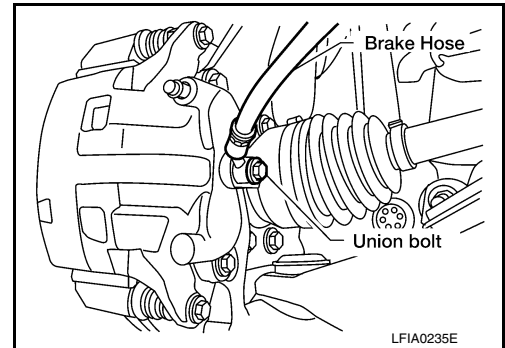
2. Remove brake tube from brake hose, using a suitable tool.
3. Remove lock plate and brake hose from bracket.



4. Remove union bolt and copper washers, then remove brake hose from caliper assembly.

CAUTION:

Do not reuse copper washers.

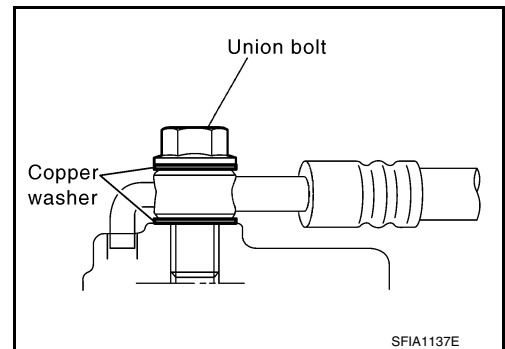


INSTALLATION

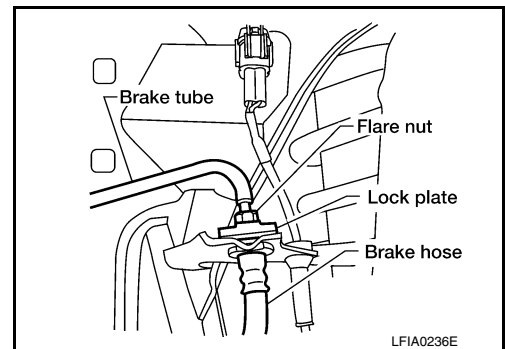
1. Install brake hose by aligning with the protrusion on caliper assembly, then install new copper washers and union bolt. Tighten union bolt to specified torque. Refer to [BR-12, "Hydraulic Circuit"](#).

CAUTION:

Use new copper washers for installation.



2. Insert brake hose end through bracket, then secure it to bracket with lock plate.
3. Install brake tube to brake hose, then tighten flare nut to the specified torque using a suitable tool. Refer to [BR-12, "Hydraulic Circuit"](#).



4. Refill brake fluid and bleed air. Refer to [BR-17, "Bleeding Brake System"](#).

Removal and Installation of Rear Brake Piping and Brake Hose

INFOID:000000005268743

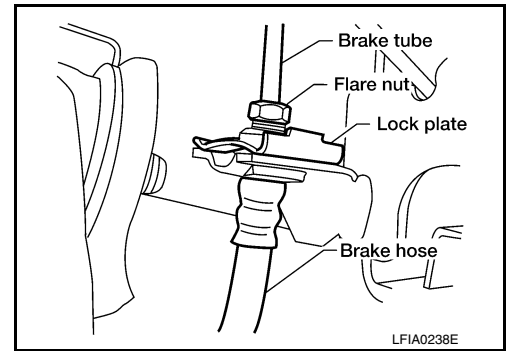
REMOVAL

1. Drain brake fluid. Refer to [BR-17, "Drain and Refill"](#).

BRAKE TUBE AND HOSE

< ON-VEHICLE REPAIR >

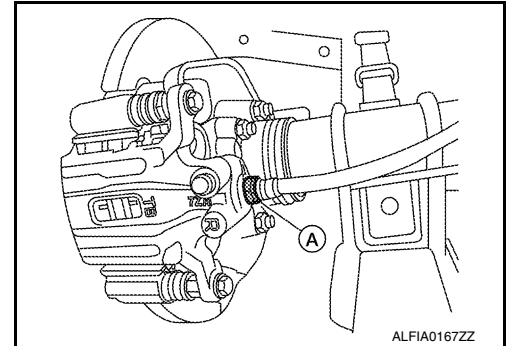
2. Remove brake tube from brake hose, using a suitable tool.
3. Remove lock plate and brake hose from bracket.



4. Remove the hose connection (A) and copper washer from caliper assembly.

CAUTION:

Do not reuse copper washer.

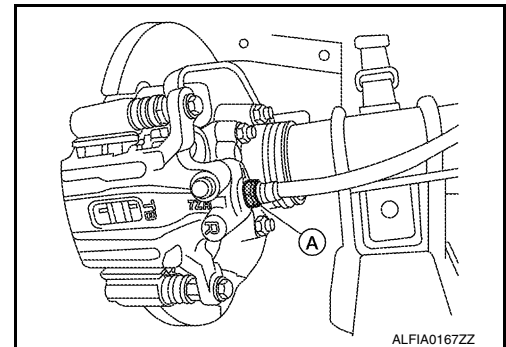


INSTALLATION

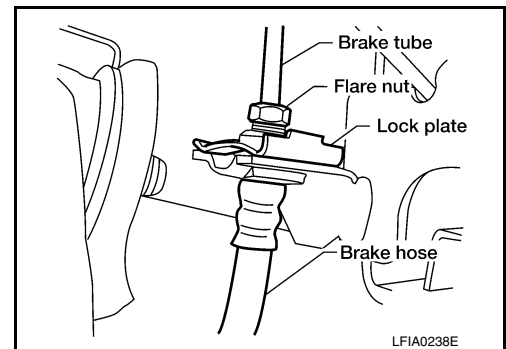
1. Install the hose connection (A) with a new copper washer. Tighten the hose connection to the specified torque. Refer to [BR-12, "Hydraulic Circuit"](#).

CAUTION:

Do not reuse copper washer.



2. Insert brake hose end through bracket, then secure it to bracket with lock plate.
3. Install brake tube to brake hose, then tighten flare nut to the specified torque using a suitable tool.



4. Refill brake fluid and bleed air. Refer to [BR-17, "Bleeding Brake System"](#).

Inspection After Installation

INFOID:000000005268744

CAUTION:

Brake pipes and hoses are important safety parts. Always disassemble the parts and retighten their fittings if a brake fluid leak is detected. Replace applicable part with a new one, if a damaged part is detected.

1. Check brake pipes and hoses, and connections for fluid leaks, damage, twist, deformation, contact with other parts, and loose connections. Replace any parts as necessary. Refer to [BR-12, "Hydraulic Circuit"](#).

BRAKE TUBE AND HOSE

< ON-VEHICLE REPAIR >

2. While depressing brake pedal under a force of 785 N (80 kg-f, 177 lb-f) with engine running for approximately 5 seconds, check each part for fluid leaks.

A

B

C

D

E

BR

G

H

I

J

K

L

M

N

O

P

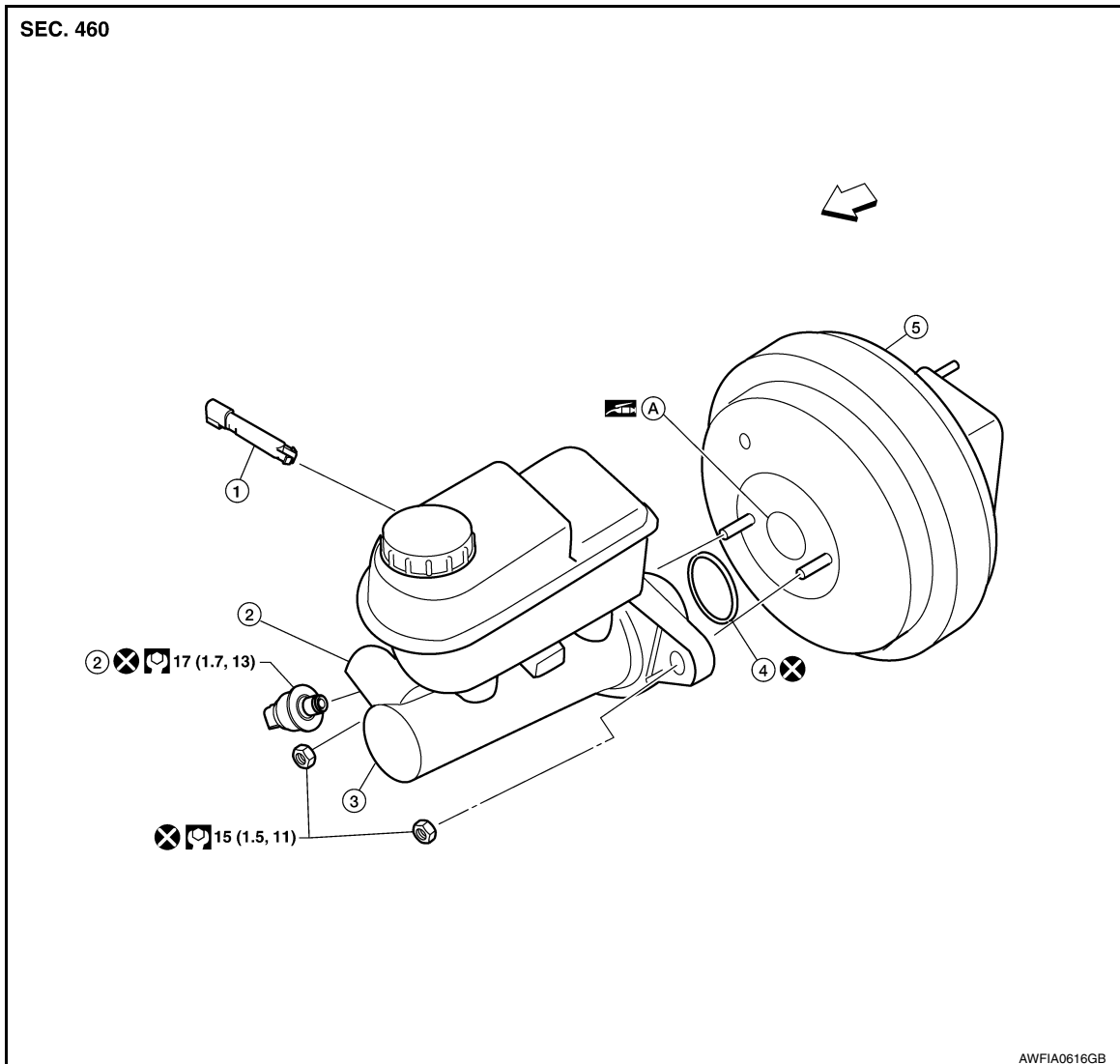
BRAKE MASTER CYLINDER

< ON-VEHICLE REPAIR >

BRAKE MASTER CYLINDER

Removal and Installation

INFOID:000000005268745



- | | | |
|-----------------------|--------------------------|---|
| 1. Fluid level sensor | 2. Fluid pressure sensor | 3. Master cylinder assembly |
| 4. O-ring | 5. Brake booster | A. PBC (Poly Butyl Cuprysil) grease
or silicone based grease |

⇐ Front

CAUTION:

Be careful not to splash brake fluid on painted areas; it may cause paint damage. If brake fluid is splashed on painted areas, wash it away with water immediately.

REMOVAL

1. Drain the brake fluid. Refer to [BR-17, "Drain and Refill"](#).
2. Disconnect the harness connectors for the fluid level sensor and fluid pressure sensor.
3. Disconnect the brake pipes from the master cylinder assembly.
4. Remove the brake pipes from the ABS actuator and electric unit (control unit).
5. Remove the master cylinder assembly nuts and discard.

CAUTION:

Discard the nuts, do not reuse.

6. Remove the master cylinder assembly.

BRAKE MASTER CYLINDER

< ON-VEHICLE REPAIR >

7. Remove the fluid pressure sensor and fluid level sensor if required.

INSTALLATION

Installation is in the reverse order of removal.

- Use new master cylinder assembly nuts for installation.

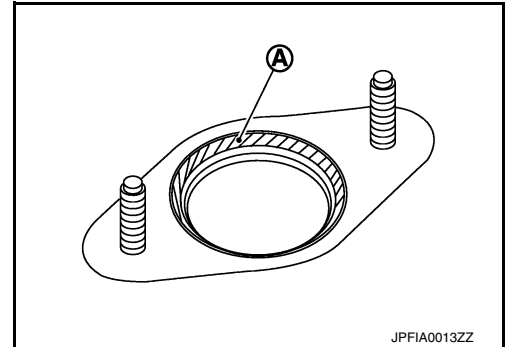
CAUTION:

Do not reuse the master cylinder assembly nuts.

- Refill the brake fluid and bleed the air. Refer to [BR-17, "Bleeding Brake System"](#).

CAUTION:

- **Refill using recommended brake fluid. Refer to [BR-17, "Drain and Refill"](#).**
- **Do not reuse drained brake fluid.**
- Adjust the brake pedal. Refer to [BR-15, "Inspection and Adjustment"](#).
- Apply silicon grease to the brake booster at position (A) as shown, be sure O-ring is in proper position when installing the master cylinder assembly to the brake booster.



A
B
C
D
E
BR
G
H
I
J
K
L
M
N
O
P

BRAKE BOOSTER

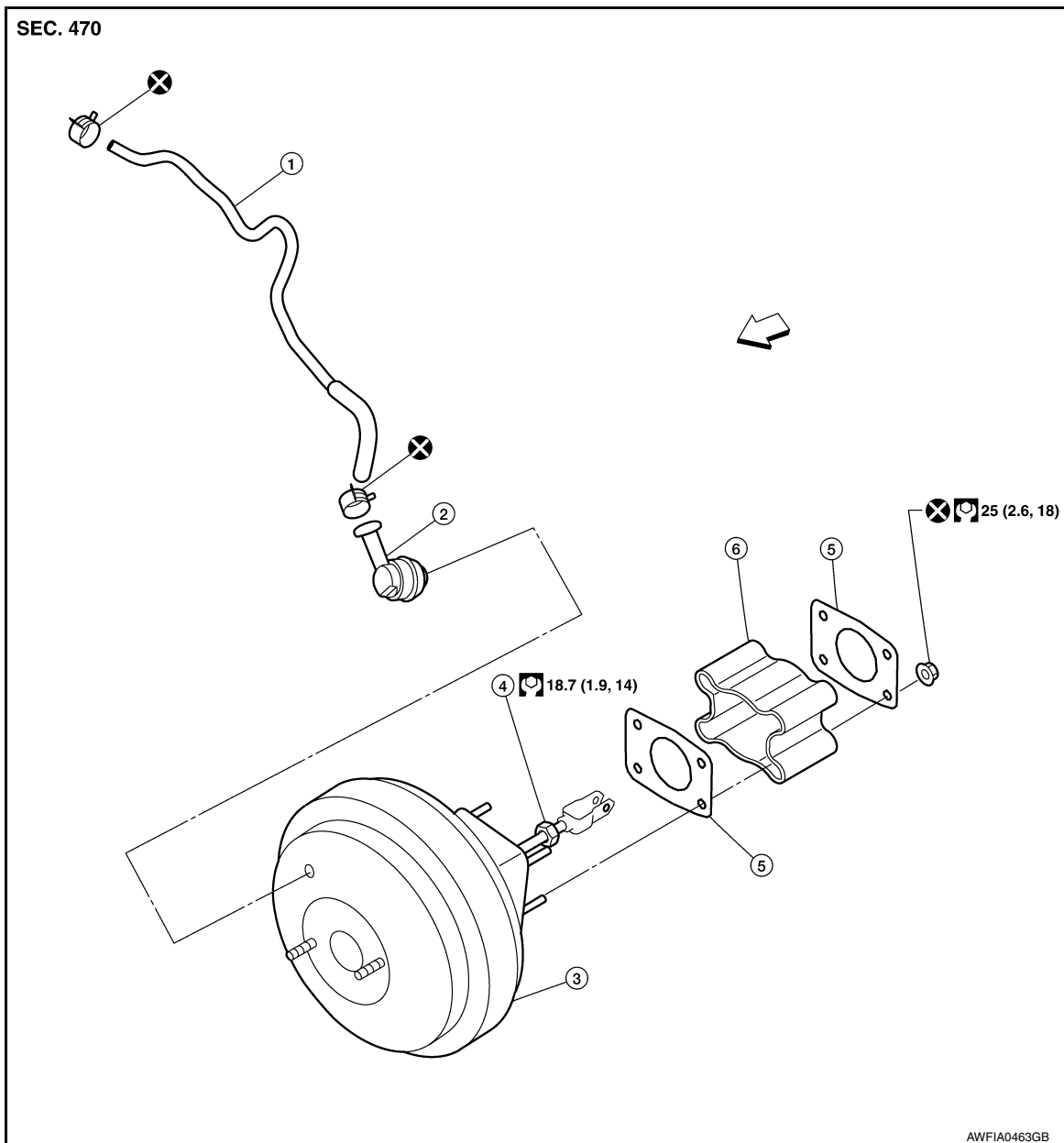
< ON-VEHICLE REPAIR >

BRAKE BOOSTER

Removal and Installation

INFOID:000000005268746

Brake Booster and Vacuum Hose



- | | | |
|------------------------------|-------------------------------------|------------------|
| 1. Brake booster vacuum hose | 2. Brake booster vacuum check valve | 3. Brake booster |
| 4. Lock nut | 5. Gasket | 6. Spacer block |

↔ Front

REMOVAL

CAUTION:

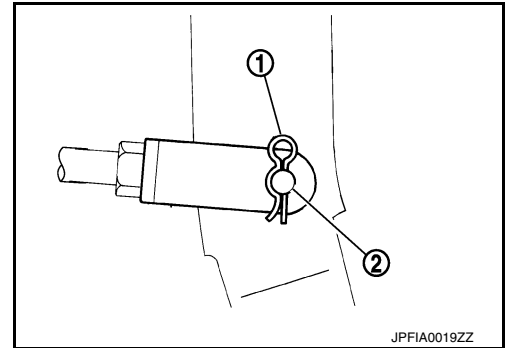
- Be careful not to deform or bend brake piping while removing and installing brake booster.
- Replace clevis pin if it is damaged.
- Be careful not to damage brake booster stud bolt threads. If brake booster is tilted or inclined during installation, dash panel may damage the threads.
- Attach the check valve in the correct direction.

1. Remove the ABS actuator and electric unit (control unit). Refer to [BRC-114, "Removal and Installation"](#) (type 1), [BRC-234, "Removal and Installation"](#) (type2).

BRAKE BOOSTER

< ON-VEHICLE REPAIR >

2. Remove the brake piping from the brake master cylinder.
3. Remove the brake master cylinder. Refer to [BR-26, "Removal and Installation"](#).
4. Remove brake booster vacuum hose from the brake booster. Refer to [BR-30, "Removal and Installation"](#).
5. Remove the brake pedal clevis pin (2) and snap pin (1) from inside the vehicle.



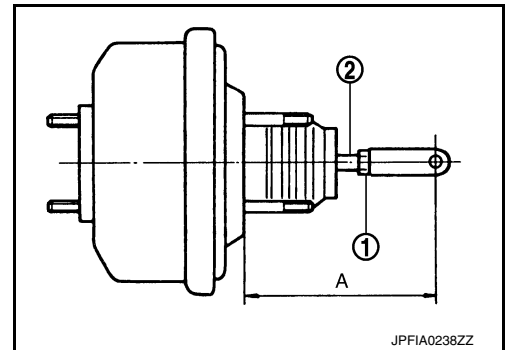
6. Remove the brake booster and brake pedal assembly nuts and discard.
CAUTION:
Discard the nuts, do not reuse.
7. Remove brake booster assembly from dash panel.

INSTALLATION

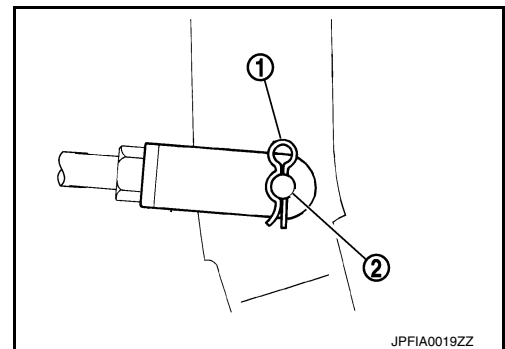
1. Loosen the lock nut (1) to adjust the input rod (2) so that length (A) is within the specified value.

Input rod (2) with lock nut (1) length (A) standard dimension : Refer to [BR-48, "Brake Booster"](#).

2. After adjusting input rod length (A), temporarily tighten the lock nut (1) and install the booster assembly to the dash panel.
 - Install a gaskets and spacer block between the booster assembly and the dash panel.



3. Connect the input rod using the brake pedal clevis pin (2) and snap pin (1) from inside the vehicle.



4. Install the brake booster using new nuts.
CAUTION:
Do not reuse the brake booster and brake pedal assembly nuts.
5. Install the brake master cylinder. Refer to [BR-26, "Removal and Installation"](#).
6. Install the brake piping to the brake master cylinder. Refer to [BR-12, "Hydraulic Circuit"](#).
7. Connect the brake booster vacuum hose and check valve to the brake booster.
8. Adjust the brake pedal height. Refer to [BR-15, "Inspection and Adjustment"](#).
9. Tighten the input rod lock nut to specification.
10. Install the ABS actuator and electric unit (control unit). Refer to [BRC-114, "Removal and Installation"](#) (type 1), [BRC-234, "Removal and Installation"](#) (type2).
11. Refill with new brake fluid and bleed the air. Refer to [BR-17, "Bleeding Brake System"](#).

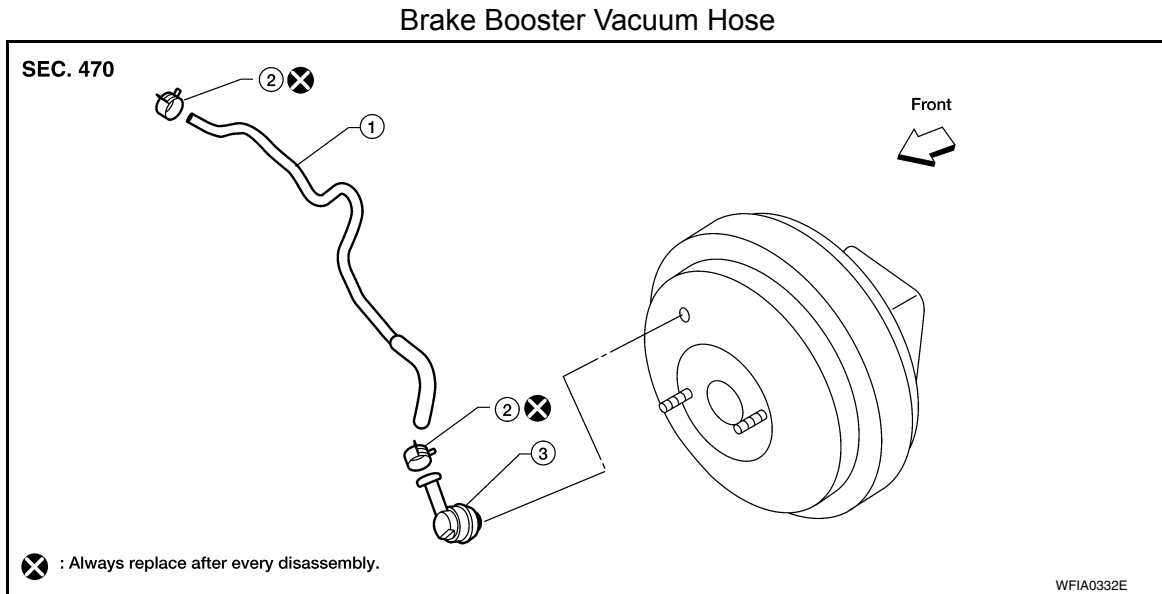
VACUUM LINES

< ON-VEHICLE REPAIR >

VACUUM LINES

Removal and Installation

INFOID:000000005268747



1. Brake booster hose
2. Brake booster hose clip
3. Brake booster vacuum check valve

REMOVAL

1. Disconnect brake booster hose from hose clip bracket.
2. Release the brake booster hose clips and remove the brake booster hose.
3. Remove the check valve from the brake booster.

INSTALLATION

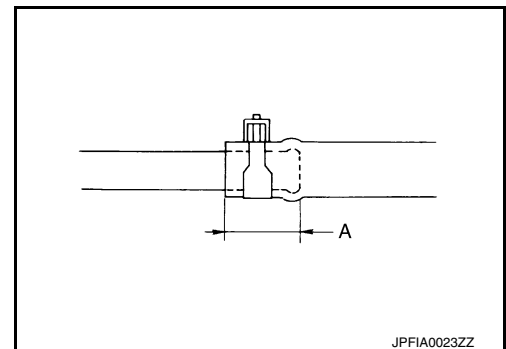
Installation is in the reverse order of removal.

- Insert vacuum hose onto tube and brake booster vacuum check valve for a minimum length (A) before installing the brake booster hose clips.

Vacuum hose length (A) : 24 mm (0.94 in) or more

CAUTION:

Do not use lubricating oil during installation.



FRONT DISC BRAKE

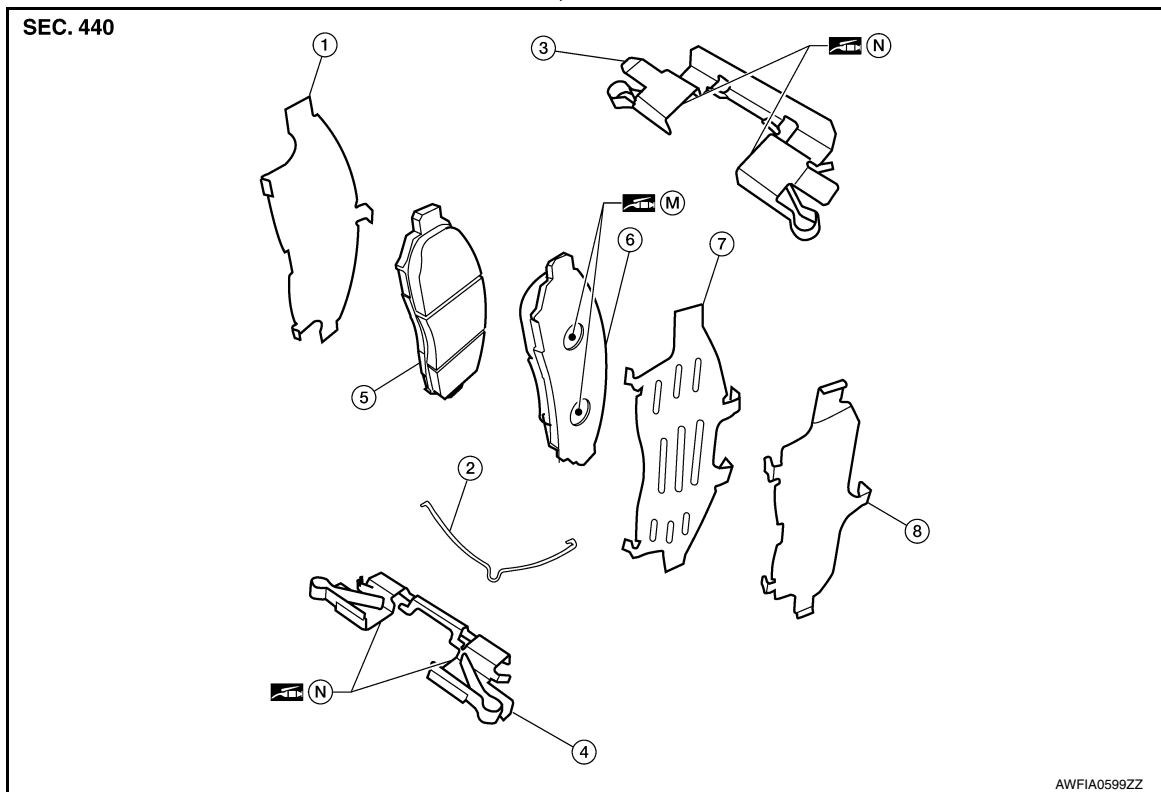
< ON-VEHICLE REPAIR >

FRONT DISC BRAKE

Exploded View of Brake Pads

INFOID:000000005612476

Front Brake Pads, Shims and Retainers



- | | | |
|-------------------------|----------------------|----------------------------|
| 1. Inner shim | 2. Pad return spring | 3. Upper pad retainer |
| 4. Lower pad retainer | 5. Inner brake pad | 6. Outer brake pad |
| 7. Outer shim | 8. Outer shim cover | M. Molykote AS-880N grease |
| N. Molykote 7439 grease | | |

WARNING:

Clean dust on caliper and brake pad with a vacuum dust collector to minimize the hazard of airborne particles or other materials.

CAUTION:

- While removing brake pads never depress brake pedal because piston will pop out.
- It is not necessary to remove bolts on torque member and brake hose except for disassembly or replacement of caliper body. In this case, hang caliper body with a wire so as not to stretch the brake hose.
- Do not damage the piston boot.
- If any shim is subject to serious corrosion, replace it with a new one.
- Always replace shim and shim cover as a set when replacing brake pads.
- Keep rotor free from brake fluid.
- Burnish the brake contact surface after refinishing or replacing rotors, after replacing pads, or if a soft pedal occurs at very low mileage. Refer to [BR-32, "Brake Burnishing"](#).

Removal and Installation of Brake Pad

INFOID:000000005612477

REMOVAL

1. Remove the front wheel and tire. Refer to [WT-46, "Rotation"](#).
2. Remove master cylinder reservoir cap.
3. Partially drain brake fluid.
4. Remove caliper sliding pin bolts using power tool.

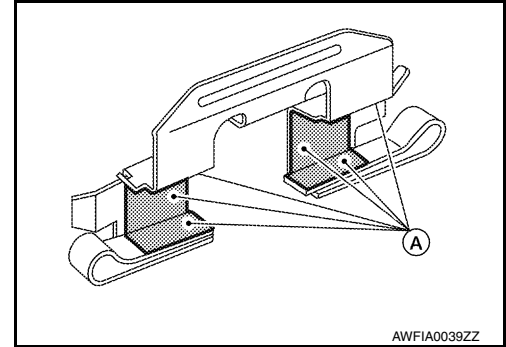
FRONT DISC BRAKE

< ON-VEHICLE REPAIR >

5. Support the caliper body with a suitable wire to avoid pulling on the front brake hose.
6. Remove the front inner and outer brake pads, shims, shim cover, pad return spring and retainers from the torque member.

INSTALLATION

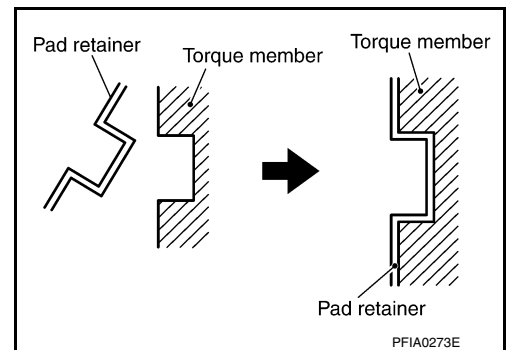
1. Apply Molykote AS-880N grease between outer brake pad backing and shims, then attach shim and shim cover to brake pads.
2. Apply Molykote 7439 grease as shown.



3. Attach pad retainer to torque member. then install the brake pad, shims and shim covers to the torque member.

CAUTION:

When attaching pad retainer, attach it firmly so that it is flush with torque member, as shown.



4. Using a suitable tool push pistons into caliper body.

CAUTION:

When pushing in piston, brake fluid returns to master cylinder reservoir tank. Watch the level of the brake fluid in the reservoir tank.

NOTE:

Use a suitable tool to make it easier to push the pistons into the caliper body.

5. Install pad return spring to bottom edge of the brake pads in the holes provided.
6. Install the caliper body.
7. Install the sliding pin bolts and tighten to specification. Refer to [BR-33. "Exploded View of Brake Caliper"](#).
8. Check the brakes for drag.
9. Inspect the brake fluid level, then install the master cylinder reservoir cap.
10. Install the front wheel and tire. Refer to [WT-46. "Rotation"](#).

Brake Burnishing

INFOID:000000005268750

Burnish brake contact surface according to the following procedure after refinishing or replacing rotors, after replacing pads, or if a soft pedal occurs at very low mileage.

CAUTION:

Only perform this procedure under safe road and traffic conditions. Use extreme caution.

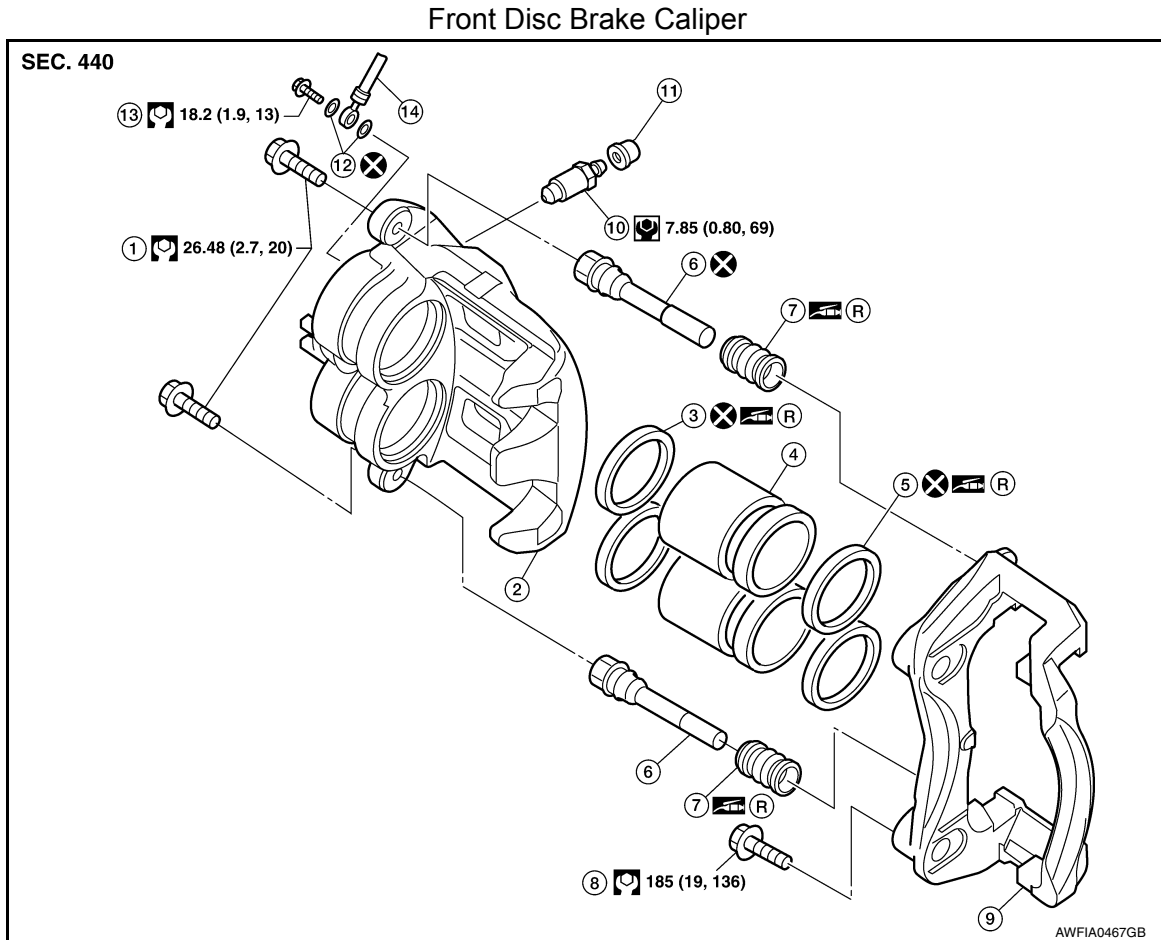
1. Drive the vehicle on a straight smooth road at 50 km/h (31 MPH).
2. Use medium brake pedal/foot effort to bring the vehicle to a complete stop from 50 km/h (31 MPH). Adjust brake pedal/foot pressure such that vehicle stopping time equals 3 to 5 seconds.
3. To cool brake system, drive the vehicle at 50 km/h (31 MPH) for 1 minute without stopping.
4. Repeat steps 1 to 3, 10 times or more to complete the burnishing procedure.

FRONT DISC BRAKE

< ON-VEHICLE REPAIR >

Exploded View of Brake Caliper

INFOID:000000005268751



- | | | |
|---------------------|-----------------------|--------------------|
| 1. Sliding pin bolt | 2. Caliper body | 3. Piston seal |
| 4. Piston | 5. Piston boot | 6. Sliding pin |
| 7. Sliding pin boot | 8. Torque member bolt | 9. Torque member |
| 10. Bleed valve | 11. Cap | 12. Copper washers |
| 13. Union bolt | 14. Front brake hose | R. Rubber grease |

WARNING:

Clean dust on caliper and brake pad with a vacuum dust collector to minimize the hazard of airborne particles or other materials.

CAUTION:

- While removing caliper body never depress brake pedal because piston will pop out.
- It is not necessary to remove bolts on torque member and brake hose except for disassembly or replacement of caliper body. In this case, hang caliper body with a wire so as not to stretch the brake hose.
- Do not damage the piston boot.
- If any shim is subject to serious corrosion, replace it with a new one.
- Always replace shim and shim cover as a set when replacing brake pads.
- Keep rotor free from brake fluid.
- Burnish the brake contact surface after refinishing or replacing rotors, after replacing pads, or if a soft pedal occurs at very low mileage. Refer to [BR-32. "Brake Burnishing"](#).

Removal and Installation of Brake Caliper and Disc Rotor

INFOID:000000005268752

REMOVAL

1. Remove the front wheel and tire. Refer to [WT-46. "Rotation"](#).
2. Drain the brake fluid. Refer to [BR-17. "Drain and Refill"](#).

FRONT DISC BRAKE

< ON-VEHICLE REPAIR >

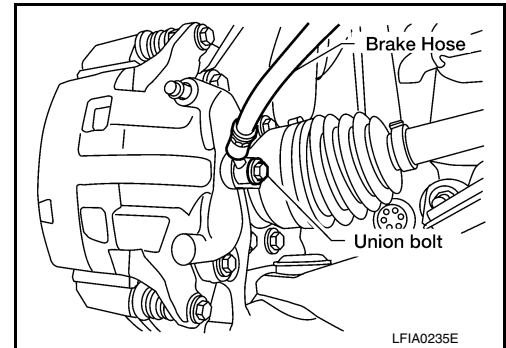
CAUTION:

- Refill with new brake fluid.
- Do not reuse drained brake fluid.

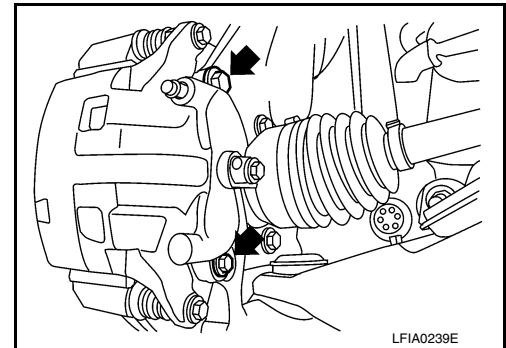
3. Remove the union bolt then disconnect the brake hose and discard the copper washers.

CAUTION:

Discard the copper washers, do not reuse.



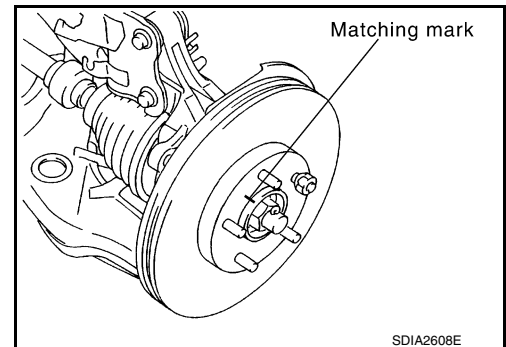
4. Remove the sliding pin bolts and remove the caliper body from the torque member.



5. Remove the brake pads, shims, shim covers and retainers from the torque member.
6. Remove the torque member bolts and remove the torque member.
7. Remove the disc rotor. If reusing the disc rotor, apply a matching mark as shown for installation.

CAUTION:

Put matching marks on the wheel hub assembly and disc rotor, if reusing the disc rotor.

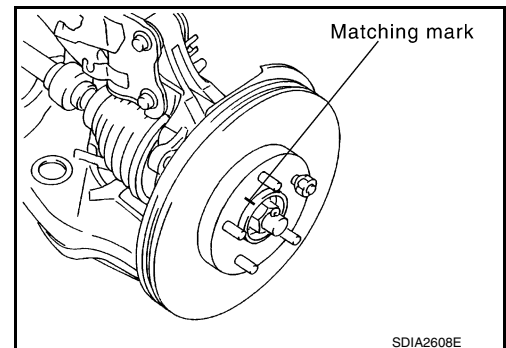


INSTALLATION

1. Install the disc rotor. If reusing the disc rotor, align the matching marks as shown for installation.

CAUTION:

Align the matching marks on the wheel hub assembly and disc rotor, if reusing the disc rotor.



2. Install torque member and tighten the torque member bolts to specification. Refer to [BR-33. "Exploded View of Brake Caliper"](#).
3. Install the brake pads, shims, shim covers and retainers on the torque member. Refer to [BR-31. "Exploded View of Brake Pads"](#).

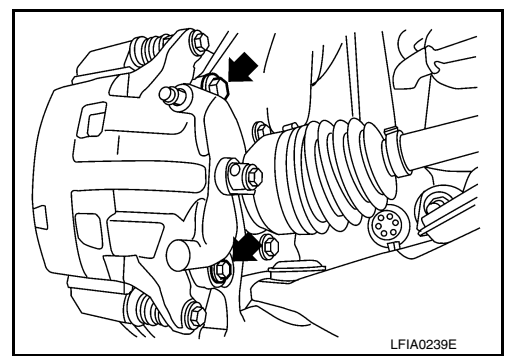
FRONT DISC BRAKE

< ON-VEHICLE REPAIR >

4. Install caliper body and sliding pins, then tighten the sliding pin bolts to the specified torque. Refer to [BR-33, "Exploded View of Brake Caliper"](#).

CAUTION:

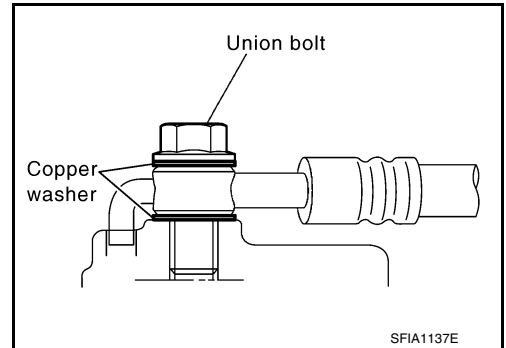
When installing the caliper body to the torque member, wipe any oil off of the knuckle spindle, washers and caliper body attachment surfaces.



5. Install brake hose by aligning with the protrusion on caliper body, then install new copper washers and union bolt. Tighten union bolt to specified torque. Refer to [BR-33, "Exploded View of Brake Caliper"](#).

CAUTION:

Use new copper washers for installation.



6. Refill with new brake fluid as necessary and bleed the air. Refer to [BR-17, "Bleeding Brake System"](#).

CAUTION:

- Refill with new brake fluid.
- Do not reuse drained brake fluid.

7. Install the front wheel and tire. Refer to [WT-46, "Rotation"](#).

A
B
C
D
E
BR
G
H
I
J
K
L
M
N
O
P

REAR DISC BRAKE

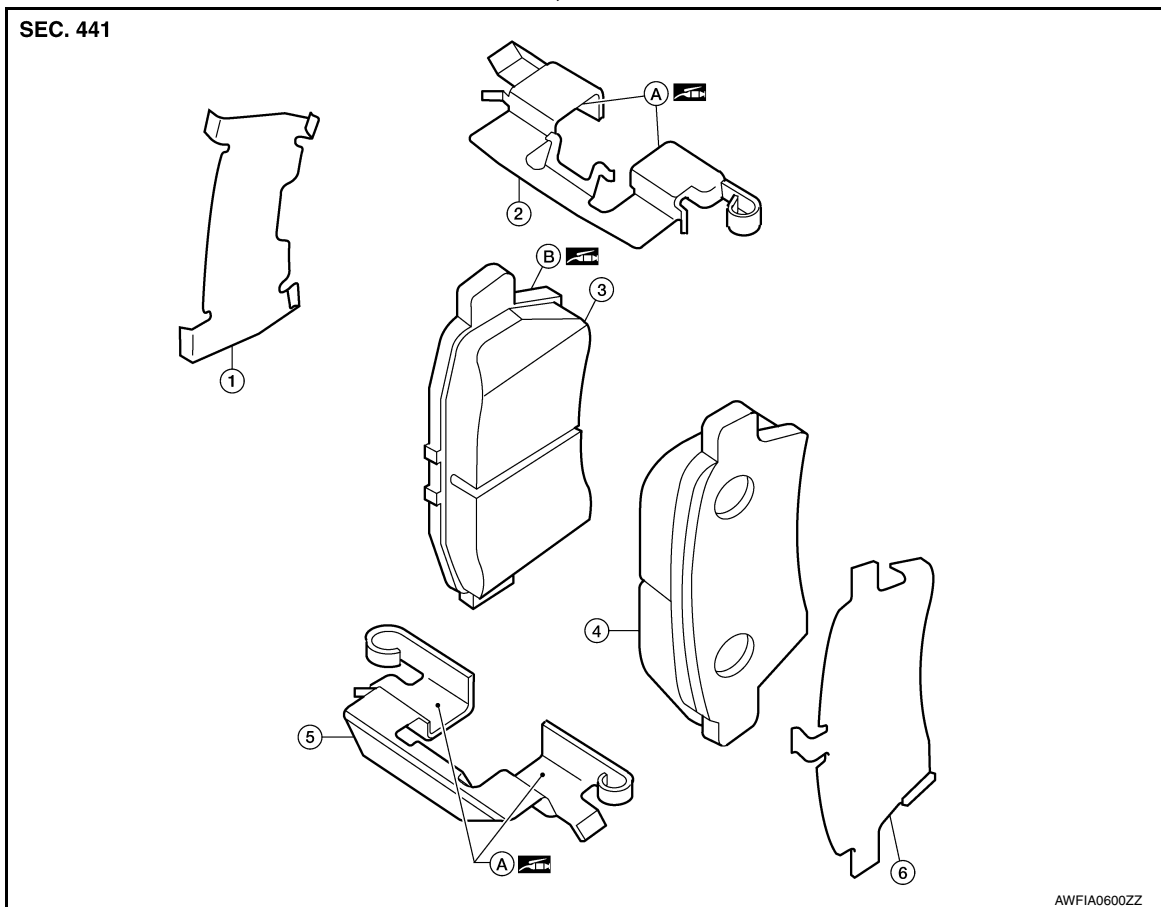
< ON-VEHICLE REPAIR >

REAR DISC BRAKE

Exploded View of Brake Pad

INFOID:000000005612478

Rear Brake Pads, Shims and Retainers



- | | | |
|-------------------------|----------------------------|--------------------|
| 1. Inner shim | 2. Upper pad retainer | 3. Inner brake pad |
| 4. Outer brake pad | 5. Lower pad retainer | 6. Outer shim |
| A. Molykote 7439 grease | B. Molykote AS-880N grease | |

WARNING:

Clean dust on caliper and brake pad with a vacuum dust collector to minimize the hazard of airborne particles or other materials.

CAUTION:

- While removing brake pads never depress brake pedal because piston will pop out.
- Do not damage the piston boot.
- If any shim is subject to serious corrosion, replace it with a new one.
- Always replace inner and outer shims as a set when replacing brake pads.
- Keep rotor free from brake fluid.
- Burnish the brake contact surface after refinishing or replacing rotors, after replacing pads, or if a soft pedal occurs at very low mileage. Refer to [BR-37, "Brake Burnishing"](#).

Removal and Installation of Brake Pad

INFOID:000000005612479

REMOVAL

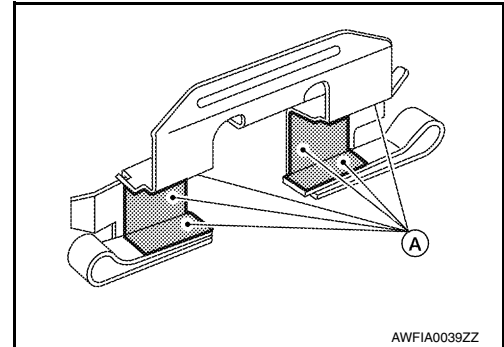
1. Remove the rear wheel and tire. Refer to [WT-46, "Rotation"](#).
2. Partially drain brake fluid.
3. Remove caliper sliding pin bolts using power tool.
4. Support the caliper body with a suitable wire to avoid pulling on the rear brake hose.
5. Remove the rear inner and outer brake pads, shims and retainers from the torque member.

REAR DISC BRAKE

< ON-VEHICLE REPAIR >

INSTALLATION

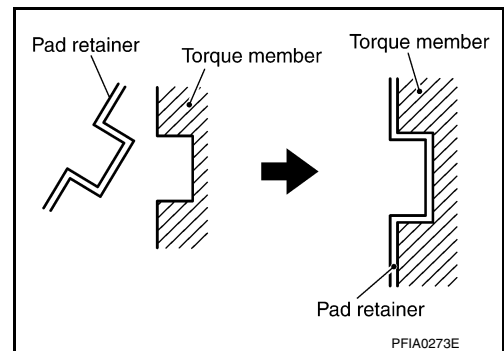
1. Apply Molykote AS-880N grease between the brake pad back plates and shims, then attach the shims to the brake pads.
2. Apply Molykote 7439 grease (A) to the pad retainers as shown



3. Attach pad retainer to torque member, then install brake pad and shim assemblies.

CAUTION:

When attaching pad retainer, attach it firmly so that it is flush with torque member, as shown.



4. Using a suitable tool push piston into caliper body.

CAUTION:

By pushing in piston, brake fluid returns to master cylinder reservoir tank. Watch the level of the surface of reservoir tank.

NOTE:

Use a suitable tool to make it easier to push the piston into the caliper body.

5. Install the caliper body.
6. Install the sliding pin bolts and tighten to specification. Refer to [BR-38. "Exploded View of Brake Caliper"](#).
7. Check the brakes for drag.
8. Inspect the brake fluid level, then install the master cylinder reservoir cap.
9. Install the rear wheel and tire. Refer to [WT-46. "Rotation"](#).

Brake Burnishing

INFOID:000000005268755

Burnish brake contact surface according to the following procedure after refinishing or replacing rotors, after replacing pads, or if a soft pedal occurs at very low mileage.

CAUTION:

Only perform this procedure under safe road and traffic conditions. Use extreme caution.

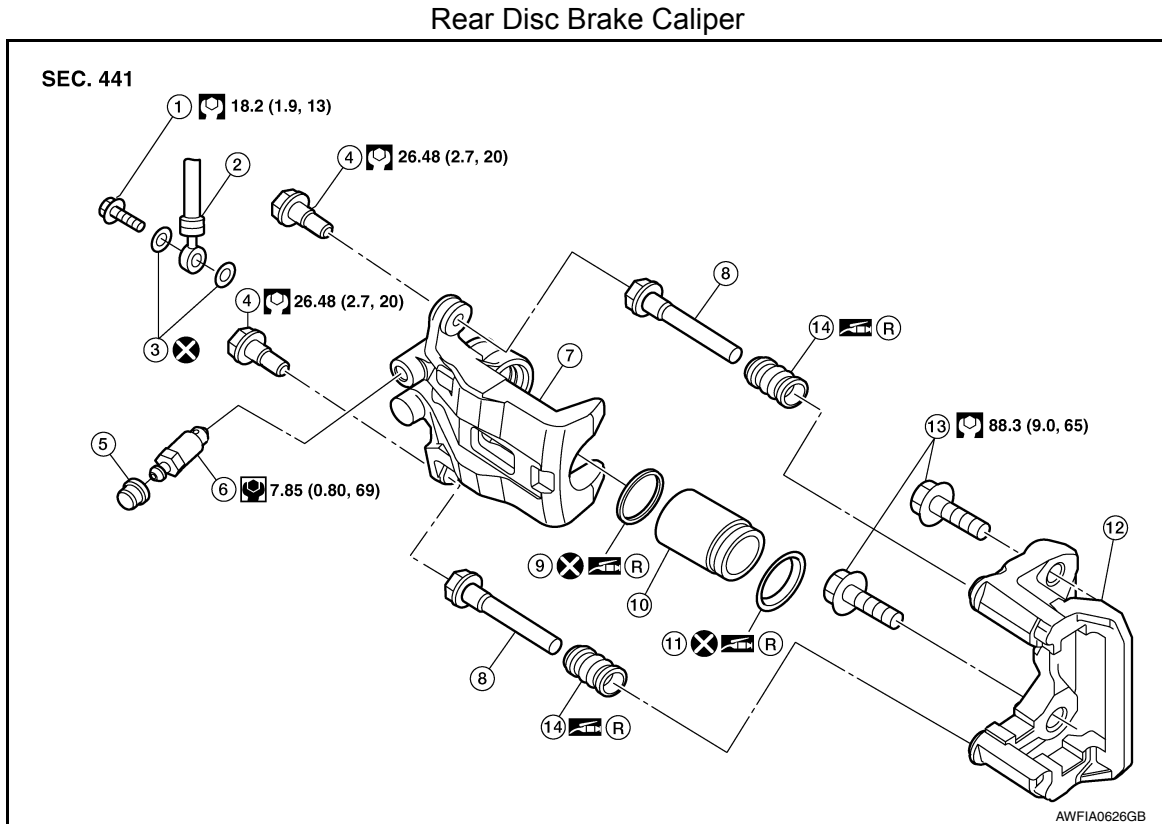
1. Drive the vehicle on a straight smooth road at 50 km/h (31 MPH).
2. Use medium brake pedal/foot effort to bring the vehicle to a complete stop from 50 km/h (31 MPH). Adjust brake pedal/foot pressure such that vehicle stopping time equals 3 to 5 seconds.
3. To cool brake system, drive the vehicle at 50 km/h (31 MPH) for 1 minute without stopping.
4. Repeat steps 1 to 3, 10 times or more to complete the burnishing procedure.

REAR DISC BRAKE

< ON-VEHICLE REPAIR >

Exploded View of Brake Caliper

INFOID:000000005268756



- | | | |
|------------------------|----------------------|-------------------|
| 1. Brake hose | 2. Hose connection | 3. Copper washer |
| 4. Sliding pin bolt | 5. Cap | 6. Bleed valve |
| 7. Caliper body | 8. Sliding pin | 9. Piston seal |
| 10. Piston | 11. Piston boot | 12. Torque member |
| 13. Torque member bolt | 14. Sliding pin boot | R. Rubber grease |

WARNING:

Clean dust on caliper and brake pad with a vacuum dust collector to minimize the hazard of airborne particles or other materials.

CAUTION:

- While removing caliper body never depress brake pedal because piston will pop out.
- It is not necessary to remove bolts on torque member and brake hose except for disassembly or replacement of caliper body. In this case, hang caliper body with a wire so as not to stretch the brake hose.
- Do not damage the piston boot.
- If any shim is subject to serious corrosion, replace it with a new one.
- Always replace shim and shim cover as a set when replacing brake pads.
- Keep rotor free from brake fluid.
- Burnish the brake contact surface after refinishing or replacing rotors, after replacing pads, or if a soft pedal occurs at very low mileage. Refer to [BR-37, "Brake Burnishing"](#).

Removal and Installation of Brake Caliper and Disc Rotor

INFOID:000000005268757

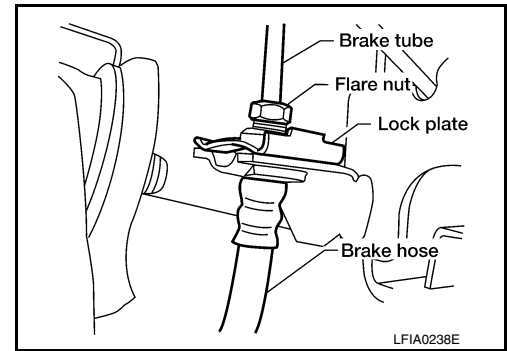
REMOVAL

1. Remove the rear wheel and tire. Refer to [WT-46, "Rotation"](#).
2. Drain the brake fluid. Refer to [BR-17, "Drain and Refill"](#).

REAR DISC BRAKE

< ON-VEHICLE REPAIR >

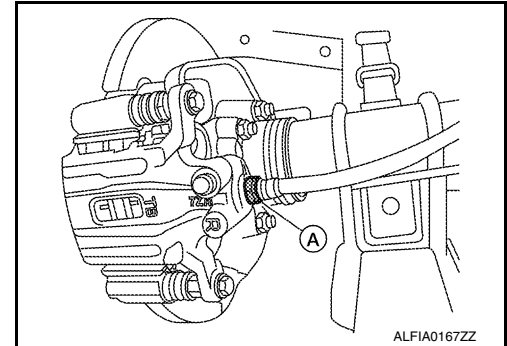
3. Remove brake tube from brake hose, using a suitable tool.
4. Remove lock plate and brake hose from bracket.



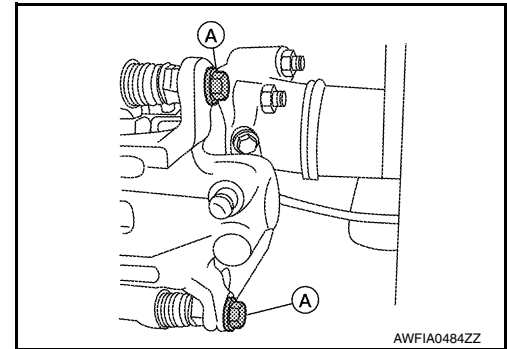
5. Disconnect the hose connection (A) and discard the copper washer.

CAUTION:

Discard the copper washer, do not reuse.



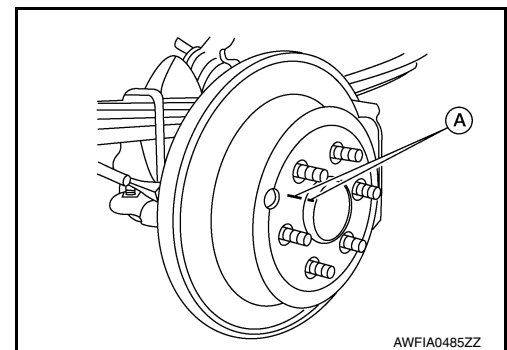
6. Remove the sliding pin bolts (A) and remove the caliper body from the torque member.



7. Remove the brake pads, shims and retainers from the torque member.
8. Remove the torque member bolts and remove the torque member.
9. Remove the disc rotor. If reusing the disc rotor, apply a matching mark (A) as shown for installation.

CAUTION:

Put matching marks on the wheel hub assembly and disc rotor, if reusing the disc rotor.



INSTALLATION

A
B
C
D
E
BR
G
H
I
J
K
L
M
N
O
P

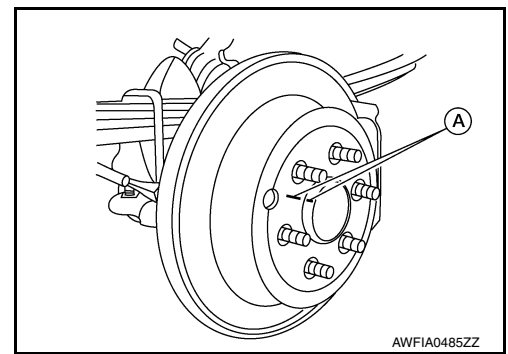
REAR DISC BRAKE

< ON-VEHICLE REPAIR >

1. Install the disc rotor. If reusing the disc rotor, align the matching marks (A) as shown for installation.

CAUTION:

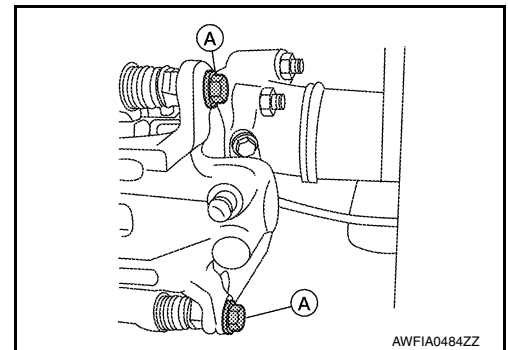
Align the matching marks on the wheel hub assembly and disc rotor, if reusing the disc rotor.



2. Install torque member and tighten the torque member bolts to specification. Refer to [BR-38. "Exploded View of Brake Caliper"](#).
3. Install the brake pads, shims and retainers on the torque member. Refer to [BR-36. "Exploded View of Brake Pad"](#).
4. Install the caliper body and sliding pins, then tighten the sliding pin bolts (A) to the specified torque. Refer to [BR-38. "Exploded View of Brake Caliper"](#).

CAUTION:

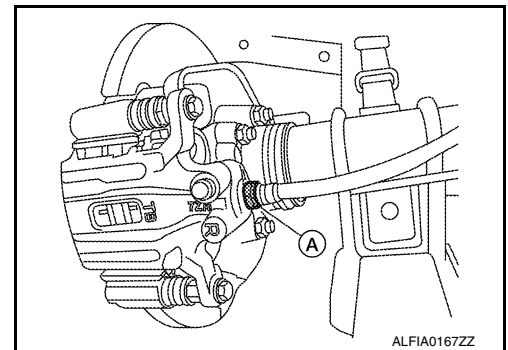
When installing the caliper body to the torque member, wipe any oil off of the knuckle spindle, washers and caliper body attachment surfaces.



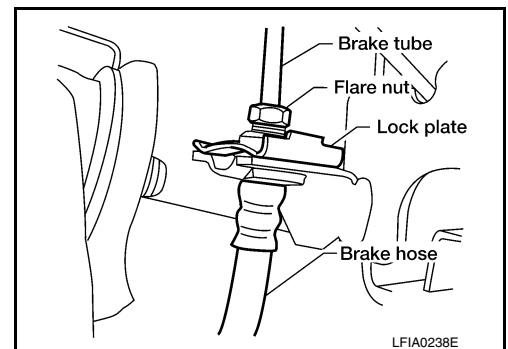
5. Connect the brake hose to the caliper body, using a new copper washer. Tighten the hose connection (A) to the specified torque. Refer to [BR-12. "Hydraulic Circuit"](#).

CAUTION:

Use new copper washer for installation.



6. Install lock plate and brake hose to bracket.
7. Install brake tube to brake hose, using a suitable tool.



8. Refill with new brake fluid as necessary and bleed the air. Refer to [BR-17. "Bleeding Brake System"](#).
CAUTION:
 - Refill with new brake fluid.
 - Do not reuse drained brake fluid.
9. Install the rear wheel and tire. Refer to [WT-46. "Rotation"](#).

FRONT DISC BRAKE

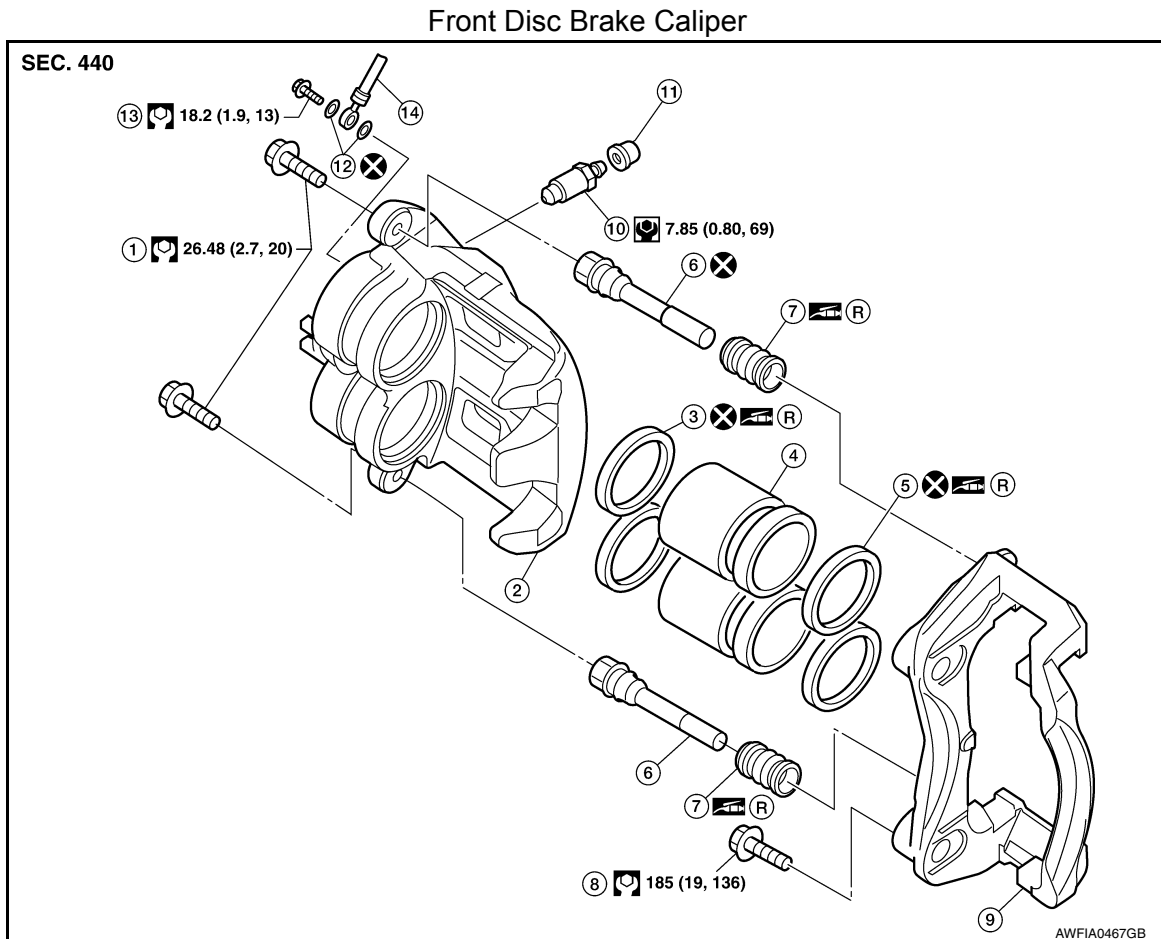
< DISASSEMBLY AND ASSEMBLY >

DISASSEMBLY AND ASSEMBLY

FRONT DISC BRAKE

Exploded View of Brake Caliper

INFOID:000000005268759



- | | | |
|---------------------|-----------------------|--------------------|
| 1. Sliding pin bolt | 2. Caliper body | 3. Piston seal |
| 4. Piston | 5. Piston boot | 6. Sliding pin |
| 7. Sliding pin boot | 8. Torque member bolt | 9. Torque member |
| 10. Bleed valve | 11. Cap | 12. Copper washers |
| 13. Union bolt | 14. Front brake hose | R. Rubber grease |

WARNING:

Clean dust on caliper and brake pad with a vacuum dust collector to minimize the hazard of airborne particles or other materials.

CAUTION:

- While removing caliper body never depress brake pedal because piston will pop out.
- It is not necessary to remove bolts on torque member and brake hose except for disassembly or replacement of caliper body. In this case, hang caliper body with a wire so as not to stretch the brake hose.
- Do not damage the piston boot.
- If any shim is subject to serious corrosion, replace it with a new one.
- Always replace shim and shim cover as a set when replacing brake pads.
- Keep rotor free from brake fluid.
- Burnish the brake contact surface after refinishing or replacing rotors, after replacing pads, or if a soft pedal occurs at very low mileage. Refer to [BR-37, "Brake Burnishing"](#).

FRONT DISC BRAKE

< DISASSEMBLY AND ASSEMBLY >

Disassembly and Assembly

INFOID:000000005268760

DISASSEMBLY

1. Remove the caliper body from the torque member. Refer to [BR-33. "Removal and Installation of Brake Caliper and Disc Rotor"](#).

2. Remove the upper sliding pin, lower sliding pin, and sliding pin boots from the torque member.

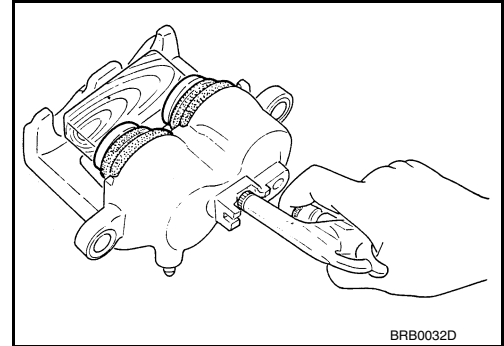
CAUTION:

Upper sliding pin must be replaced at each service.

3. Place a wooden block as shown, and then blow air from the union bolt hole to remove the pistons and piston boots.

WARNING:

Do not get your fingers caught between the pistons and wooden block.



4. Remove the piston boots from the pistons.

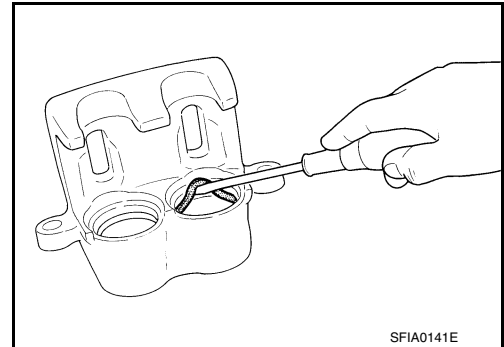
CAUTION:

Do not reuse piston boot.

5. Remove piston seals from cylinder body, using a suitable tool.

CAUTION:

- Be careful not to damage cylinder body inner wall.
- Do not reuse piston seal.



6. Remove the bleed valve and cap.

CALIPER INSPECTION

Cylinder Body

- Check the inside surface of the cylinder body for score, rust, wear, damage or foreign materials. If any of the above conditions are observed, replace the cylinder body.
- Minor damage from rust or foreign materials may be eliminated by polishing surface with a fine emery paper. Replace cylinder body if necessary.

CAUTION:

- Use new brake fluid for cleaning. Do not use mineral oils such as gasoline or kerosene.

Torque Member

Check the torque member for wear, cracks, and damage. If damage or deformation is present, replace the torque member.

Piston

Check the pistons for score, rust, wear, damage or presence of foreign materials. Replace if any of these conditions are observed.

CAUTION:

Piston sliding surface is plated, do not polish with emery paper even if rust or foreign materials are stuck to sliding surface.

Sliding Pins, and Sliding Pin Boots

Check the sliding pins and sliding pin boots for wear, damage, and cracks. If damage or deformation is present, replace the affected part.

FRONT DISC BRAKE

< DISASSEMBLY AND ASSEMBLY >

CAUTION:

Upper sliding pin must be replaced at each service.

ASSEMBLY

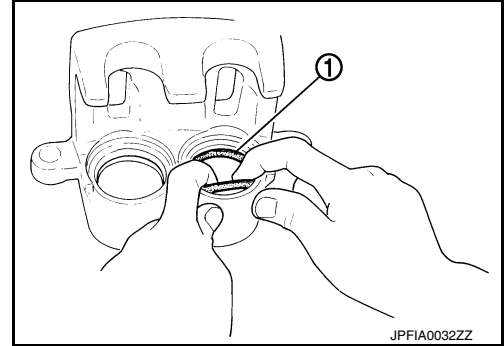
CAUTION:

Use **NISSAN Rubber Grease** when assembling.

1. Install the bleed valve and cap.
2. Apply rubber grease to the new piston seals (1) and insert the new piston seals (1) into the groove on the cylinder body.

CAUTION:

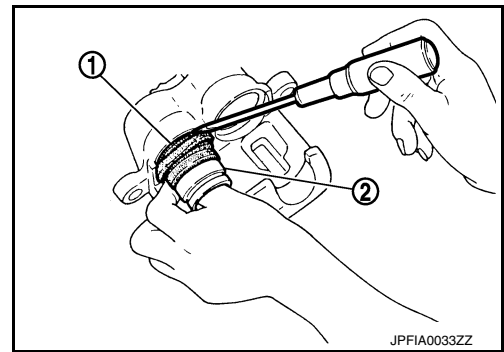
Do not reuse piston seals.



3. Apply rubber grease to the new piston boots (1). Cover the piston end (2) with the piston boot (1), and then install the cylinder side lip on the piston boot (1) securely into the groove on the cylinder body.

CAUTION:

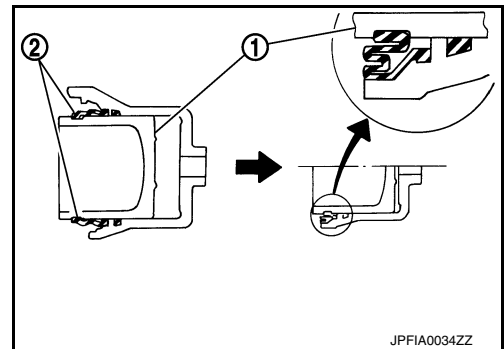
- Do not reuse piston boot.
- Press pistons in evenly and vary the pressing points to prevent the cylinder inner wall from being damaged.



4. Install the pistons (1) into the cylinder body and insert the piston boots (2) side lip into the piston groove as shown.

CAUTION:

Press pistons in evenly and vary the pressing points to prevent the cylinder inner wall from being damaged.



5. Apply rubber grease to the sliding pin boots, then install the new upper sliding pin, lower sliding pin, and sliding pin boots on the torque member.

CAUTION:

Upper sliding pin must be replaced at each service.

6. Install the caliper body on the torque member. Refer to [BR-33, "Removal and Installation of Brake Caliper and Disc Rotor"](#).

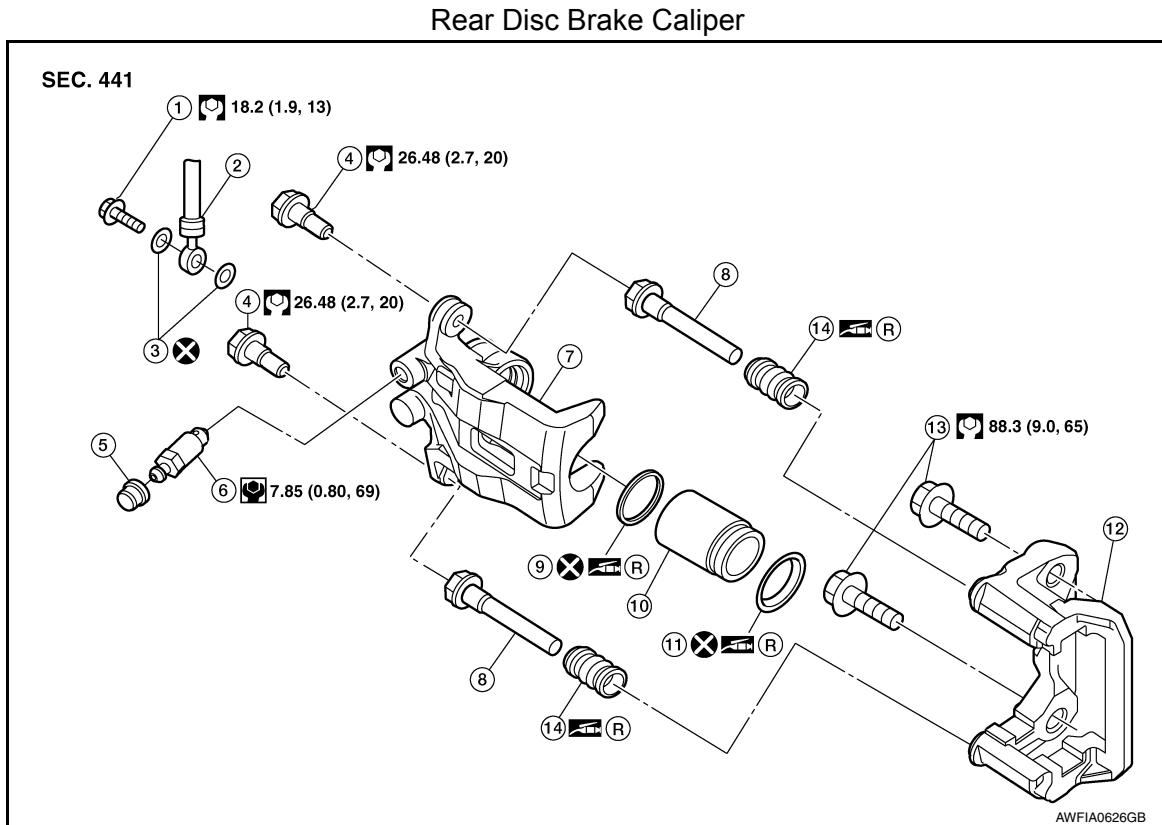
REAR DISC BRAKE

< DISASSEMBLY AND ASSEMBLY >

REAR DISC BRAKE

Exploded View of Brake Caliper

INFOID:000000005268761



- | | | |
|------------------------|----------------------|-------------------|
| 1. Brake hose | 2. Hose connection | 3. Copper washer |
| 4. Sliding pin bolt | 5. Cap | 6. Bleed valve |
| 7. Caliper body | 8. Sliding pin | 9. Piston seal |
| 10. Piston | 11. Piston boot | 12. Torque member |
| 13. Torque member bolt | 14. Sliding pin boot | R. Rubber grease |

WARNING:

Clean dust on caliper and brake pad with a vacuum dust collector to minimize the hazard of airborne particles or other materials.

CAUTION:

- While removing caliper body never depress brake pedal because piston will pop out.
- It is not necessary to remove bolts on torque member and brake hose except for disassembly or replacement of caliper body. In this case, hang caliper body with a wire so as not to stretch the brake hose.
- Do not damage the piston boot.
- If any shim is subject to serious corrosion, replace it with a new one.
- Always replace shim and shim cover as a set when replacing brake pads.
- Keep rotor free from brake fluid.
- Burnish the brake contact surface after refinishing or replacing rotors, after replacing pads, or if a soft pedal occurs at very low mileage. Refer to [BR-37, "Brake Burnishing"](#).

Disassembly and Assembly

INFOID:000000005268762

DISASSEMBLY

1. Remove the caliper body from the torque member. Refer to [BR-38, "Removal and Installation of Brake Caliper and Disc Rotor"](#).
2. Remove the sliding sleeves and boots from the torque member.

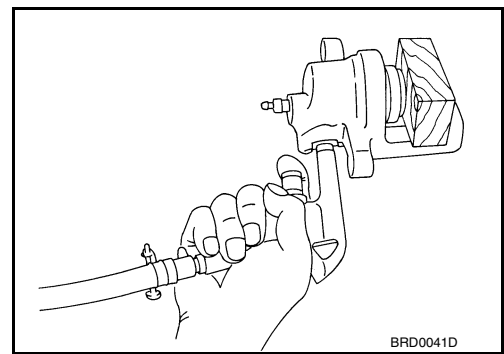
REAR DISC BRAKE

< DISASSEMBLY AND ASSEMBLY >

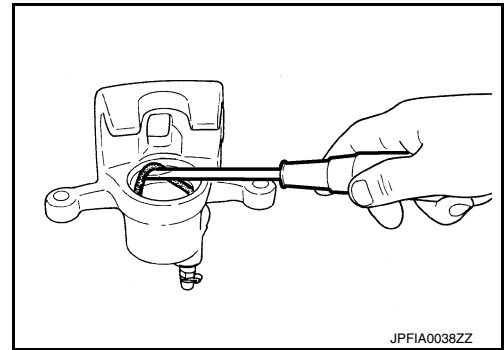
- Place a wooden block in the cylinder body and blow air into the hose connection hole to remove the piston and piston boot as shown.

WARNING:

Do not get your fingers caught between the piston and wooden block.



- Remove the piston boot from the piston.
CAUTION:
Do not reuse piston boot.
- Remove piston seal from cylinder body, using a suitable tool.
CAUTION:
Be careful not to damage cylinder body inner wall.



- Remove the bleed valve and cap.

CALIPER INSPECTION

Cylinder Body

- Check inside surface of cylinder for score, rust wear, damage or foreign materials. If any of the above conditions are observed, replace cylinder body.
- Minor damage from rust or foreign materials may be eliminated by polishing surface with a fine emery paper. Replace cylinder body if necessary.

CAUTION:

- Use new brake fluid for cleaning. Do not use mineral oils such as gasoline or kerosene.**

Torque Member

Check the torque member for wear, cracks, and damage. If damage or deformation is present, replace the torque member.

Piston

Check the piston for score, rust, wear, damage or presence of foreign materials. Replace if any of the above conditions are observed.

CAUTION:

Piston sliding surface is plated, do not polish with emery paper even if rust or foreign materials are stuck to sliding surface.

Sliding Pin Bolts and Sliding Pin Boots

Check the sliding pins and sliding pin boots for wear, damage, and cracks. If damage or deformation is present, replace the affected part.

ASSEMBLY

CAUTION:

Use NISSAN Rubber Grease when assembling.

- Install the bleed valve and cap.

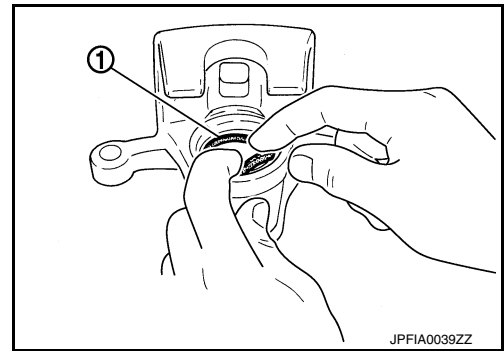
REAR DISC BRAKE

< DISASSEMBLY AND ASSEMBLY >

2. Apply rubber grease to the new piston seal (1) and insert the new piston seal (1) into the groove on the cylinder body.

CAUTION:

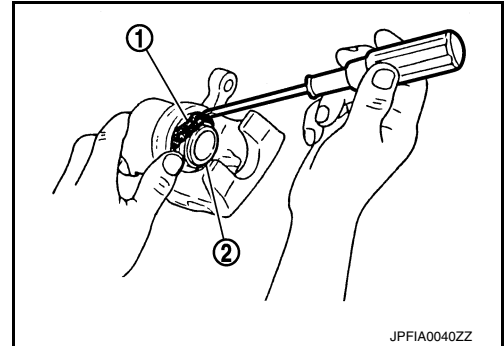
Do not reuse piston seal.



3. Apply rubber grease to the new piston boot (1). Cover the piston end (2) with the piston boot (1), and then install the cylinder side lip on the piston boot (1) securely into the groove on the cylinder body.

CAUTION:

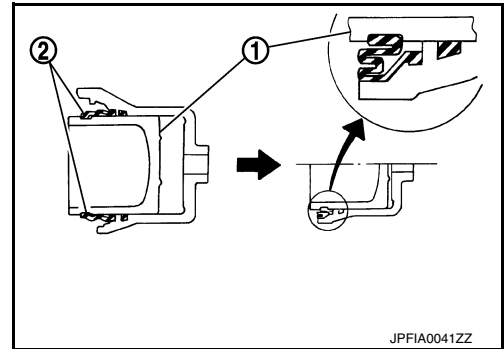
- Do not reuse piston boot.
- Press pistons in evenly and vary the pressing points to prevent the cylinder inner wall from being damaged.



4. Install the piston (1) into the cylinder body and insert the piston boot (2) side lip into the piston groove as shown.

CAUTION:

Press pistons in evenly and vary the pressing points to prevent the cylinder inner wall from being damaged.



5. Apply rubber grease to the sliding pin boots, then install the sliding pins and sliding pin boots on the torque member.
6. Install the caliper body on the torque member. Refer to [BR-38, "Removal and Installation of Brake Caliper and Disc Rotor"](#).

SERVICE DATA AND SPECIFICATIONS (SDS)

< SERVICE DATA AND SPECIFICATIONS (SDS)

SERVICE DATA AND SPECIFICATIONS (SDS)

SERVICE DATA AND SPECIFICATIONS (SDS)

General Specification

INFOID:000000005268763

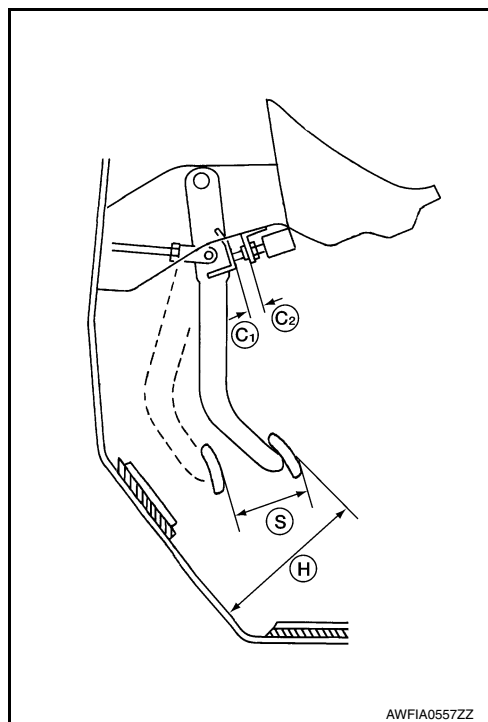
Unit: mm (in)

Front brake	Brake model	CLZ33VA
	Rotor outer diameter × thickness	296 × 28 (11.654 × 1.102)
	Pad length × width × thickness	140 × 50.5 × 10.0 (5.512 × 1.988 × 0.394)
	Cylinder bore diameter (each)	46.4 (1.83)
Rear brake	Brake model	CLZ14VA
	Rotor outer diameter × thickness	286 × 18 (11.260 × 0.709)
	Pad length × width × thickness	87.6 × 34 × 11.0 (3.449 × 1.339 × 0.433)
	Cylinder bore diameter	38.1 (1.50)
Control valve	Valve model	Electric brake force distribution
Brake booster	Booster model	C215T
	Diaphragm diameter	215 (8.465)
Recommended brake fluid		Refer to MA-12. "Fluids and Lubricants" .

Brake Pedal

INFOID:000000005268764

Unit: mm (in)



Pedal free height (H)	M/T	174.7 (6.88)
	A/T	182.1 (7.17)
Pedal full stroke (S)		153 (6.02)
Clearance between pedal stopper and threaded end of stop lamp switch and ASCD switch (C1) or (C2)		0.74 - 1.96 (0.029 - 0.077)

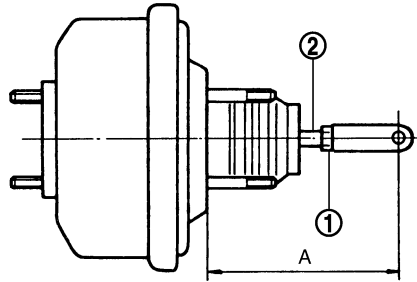
SERVICE DATA AND SPECIFICATIONS (SDS)

< SERVICE DATA AND SPECIFICATIONS (SDS)

Brake Booster

INFOID:000000005268765

Unit: mm (in)



JPFIA0238ZZ

Input rod (2) with lock nut (1) length (A) standard dimension	149 ± 0.5 (5.87 ± 0.02)
---	-------------------------

Check Valve

INFOID:000000005268766

Vacuum leakage [at vacuum of -66.7 kPa(-500 mmHg, -19.69 inHg)]	Within 1.3 kPa (10 mmHg, 0.39 inHg) of vacuum for 15 seconds
--	--

Front Disc Brake

INFOID:000000005268767

Unit: mm (in)

Brake model		CLZ33VA
Brake pad	Standard thickness (new)	10.0 (0.394)
	Repair limit thickness	2.0 (0.079)
Disc rotor	Standard thickness (new)	28.0 (1.102)
	Repair limit thickness	26.0 (1.024)
	Maximum uneven wear (measured at 8 positions)	0.015 (0.0006)
	Runout limit (with it attached to the vehicle)	0.05 (0.0020)

Rear Disc Brake

INFOID:000000005268768

Unit: mm (in)

Brake model		CLZ14VA
Brake pad	Standard thickness (new)	11.0 (0.433)
	Repair limit thickness	2.0 (0.079)
Disc rotor	Standard thickness (new)	18.0 (0.709)
	Repair limit thickness	16.0 (0.630)
	Maximum uneven wear (measured at 8 positions)	0.015 (0.0006)
	Runout limit (with it attached to the vehicle)	0.05 (0.0020)