

SECTION **MIR**  
MIRRORS

A  
B  
C  
D  
E  
F  
G  
H  
I  
J  
K  
M  
N  
O  
P

CONTENTS

<b>WIRING DIAGRAM</b> .....	2	<b>PREPARATION</b> .....	11
<b>DOOR MIRROR</b> .....	2	Special Service Tool .....	11
Wiring Diagram - With Heated Mirrors .....	2	Commercial Service Tool .....	11
Wiring Diagram - Without Heated Mirrors .....	5	<b>UNIT REMOVAL AND INSTALLATION</b> .....	12
<b>INSIDE MIRROR</b> .....	8	<b>INSIDE MIRROR</b> .....	12
Wiring Diagram .....	8	Exploded view .....	12
<b>PRECAUTION</b> .....	10	Removal and Installation .....	12
<b>PRECAUTIONS</b> .....	10	<b>DOOR MIRROR</b> .....	13
Precaution for Supplemental Restraint System (SRS) "AIR BAG" and "SEAT BELT PRE-TEN- SIONER" .....	10	Door Mirror Assembly .....	13
Precaution for Work .....	10	Door Mirror Glass .....	14
<b>PREPARATION</b> .....	11	<b>UNIT DISASSEMBLY AND ASSEMBLY</b> ...	15
		<b>DOOR MIRROR</b> .....	15
		Mirror Actuator .....	15

MIR

# DOOR MIRROR

< WIRING DIAGRAM >

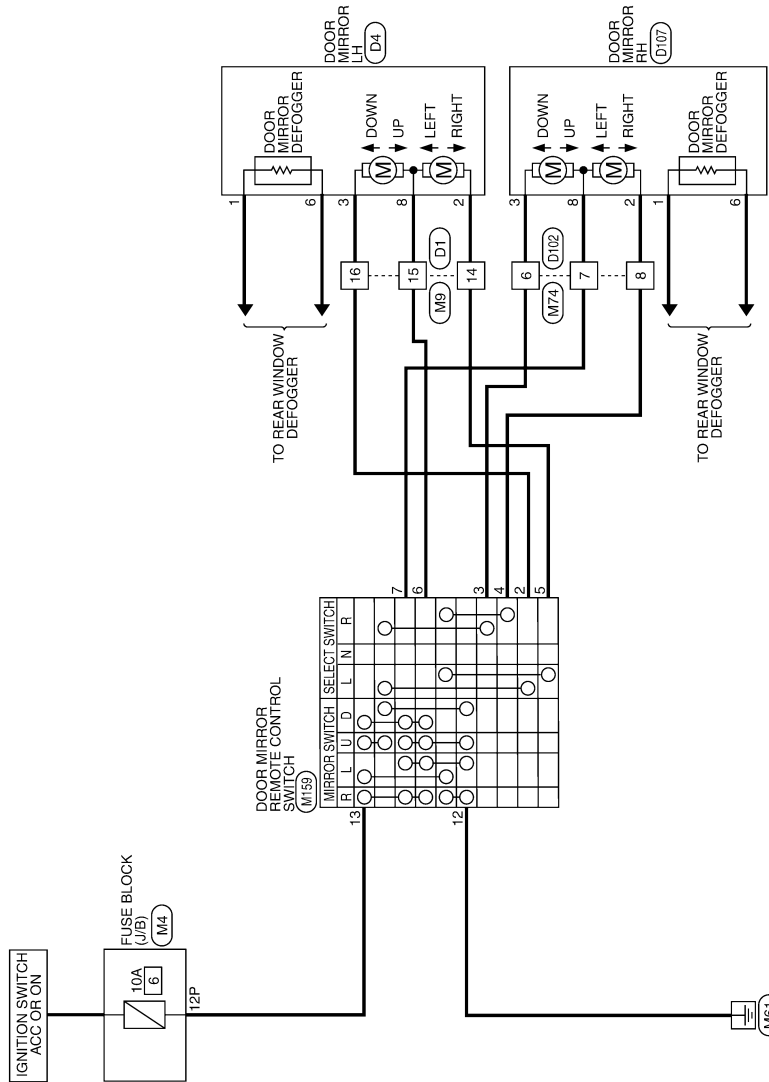
## WIRING DIAGRAM

### DOOR MIRROR

Wiring Diagram - With Heated Mirrors

INFOID:000000006706624

#### DOOR MIRROR - WITH HEATED MIRRORS



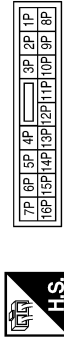
ABLWA1227GB

# DOOR MIRROR

< WIRING DIAGRAM >

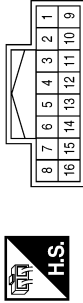
## DOOR MIRROR CONNECTORS - WITH HEATED MIRRORS

Connector No.	M4
Connector Name	FUSE BLOCK (J/B)
Connector Color	WHITE



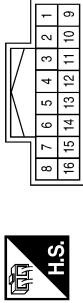
Terminal No.	Color of Wire	Signal Name
12P	G/Y	-

Connector No.	M9
Connector Name	WIRE TO WIRE
Connector Color	WHITE



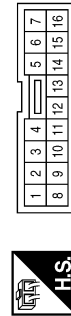
Terminal No.	Color of Wire	Signal Name
14	Y	-
15	V	-
16	L	-

Connector No.	M74
Connector Name	WIRE TO WIRE
Connector Color	WHITE



Terminal No.	Color of Wire	Signal Name
6	R	-
7	P	-
8	LG	-

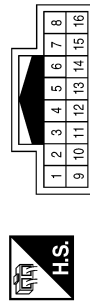
Connector No.	M159
Connector Name	DOOR MIRROR REMOTE CONTROL SWITCH
Connector Color	WHITE



Terminal No.	Color of Wire	Signal Name
2	L	-
3	R	-

Terminal No.	Color of Wire	Signal Name
4	LG	-
5	Y	-
6	V	-
7	P	-
12	B	-
13	G/Y	-

Connector No.	D1
Connector Name	WIRE TO WIRE
Connector Color	WHITE



Terminal No.	Color of Wire	Signal Name
14	Y/R	-
15	V/W	-
16	L/R	-

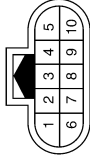
A  
B  
C  
D  
E  
F  
G  
H  
I  
J  
K  
M  
N  
O  
P

MIR

# DOOR MIRROR

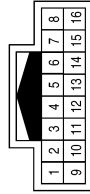
## < WIRING DIAGRAM >

Connector No.	D107
Connector Name	DOOR MIRROR RH (WITH HEATED MIRRORS)
Connector Color	BLACK



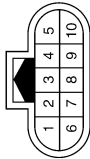
Terminal No.	Color of Wire	Signal Name
1	L/B	-
2	Y/B	-
3	L/B	-
6	B	-
8	V/W	-

Connector No.	D102
Connector Name	WIRE TO WIRE
Connector Color	WHITE



Terminal No.	Color of Wire	Signal Name
6	L/B	-
7	V/W	-
8	Y/B	-

Connector No.	D4
Connector Name	DOOR MIRROR LH (WITH HEATED MIRRORS)
Connector Color	BLACK



Terminal No.	Color of Wire	Signal Name
1	L/B	-
2	Y/R	-
3	L/R	-
6	B	-
8	V/W	-

ABLIA0623GB

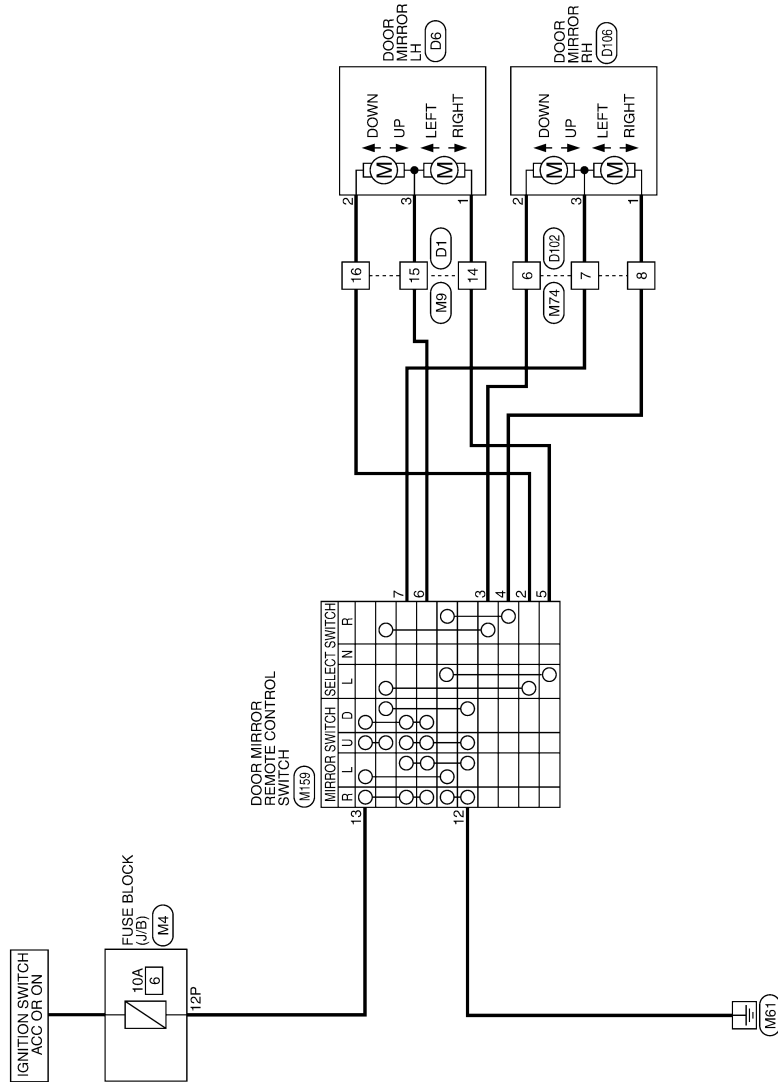
# DOOR MIRROR

< WIRING DIAGRAM >

## Wiring Diagram - Without Heated Mirrors

INFOID:000000006706625

### DOOR MIRROR - WITHOUT HEATED MIRRORS



A  
B  
C  
D  
E  
F  
G  
H  
I  
J  
K  
L  
M  
N  
O  
P

MIR

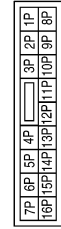
ABLWA1228GB

# DOOR MIRROR

< WIRING DIAGRAM >

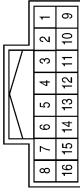
## DOOR MIRROR CONNECTORS - WITHOUT HEATED MIRRORS

Connector No.	M4
Connector Name	FUSE BLOCK (J/B)
Connector Color	WHITE



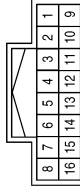
Terminal No.	Color of Wire	Signal Name
12P	G/Y	-

Connector No.	M9
Connector Name	WIRE TO WIRE
Connector Color	WHITE



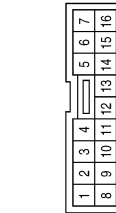
Terminal No.	Color of Wire	Signal Name
14	Y	-
15	V	-
16	L	-

Connector No.	M74
Connector Name	WIRE TO WIRE
Connector Color	WHITE



Terminal No.	Color of Wire	Signal Name
6	R	-
7	P	-
8	LG	-

Connector No.	M159
Connector Name	DOOR MIRROR REMOTE CONTROL SWITCH
Connector Color	WHITE



Terminal No.	Color of Wire	Signal Name
2	L	-
3	R	-

Terminal No.	Color of Wire	Signal Name
4	LG	-
5	Y	-
6	V	-
7	P	-
12	B	-
13	G/Y	-

Connector No.	D1
Connector Name	WIRE TO WIRE
Connector Color	WHITE



Terminal No.	Color of Wire	Signal Name
14	Y/R	-
15	V/W	-
16	L/R	-

# DOOR MIRROR

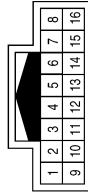
< WIRING DIAGRAM >

Connector No.	D106
Connector Name	DOOR MIRROR RH (WITH-OUT HEATED MIRRORS)
Connector Color	BLACK



Terminal No.	Color of Wire	Signal Name
1	Y/B	-
2	L/B	-
3	V/W	-

Connector No.	D102
Connector Name	WIRE TO WIRE
Connector Color	WHITE



Terminal No.	Color of Wire	Signal Name
6	L/B	-
7	V/W	-
8	Y/B	-

Connector No.	D6
Connector Name	DOOR MIRROR LH (WITH-OUT HEATED MIRRORS)
Connector Color	BLACK



Terminal No.	Color of Wire	Signal Name
1	Y/R	-
2	L/R	-
3	V/W	-

A  
B  
C  
D  
E  
F  
G  
H  
I  
J  
K  
M  
N  
O  
P

MIR

ABLIA0624GB

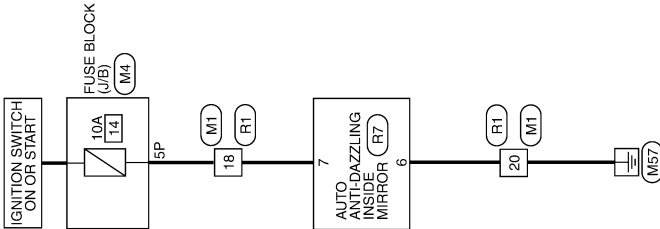
# INSIDE MIRROR

< WIRING DIAGRAM >

## INSIDE MIRROR

Wiring Diagram

INFOID:000000006706626



INSIDE MIRROR

AWLWA0127GB

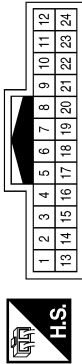


# INSIDE MIRROR

< WIRING DIAGRAM >

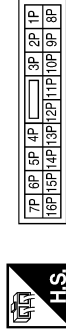
## INSIDE MIRROR CONNECTORS

Connector No.	M1
Connector Name	WIRE TO WIRE
Connector Color	WHITE



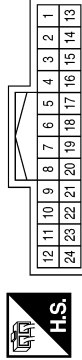
Terminal No.	Color of Wire	Signal Name
18	W/G	-
20	B	-

Connector No.	M4
Connector Name	FUSE BLOCK (J/B)
Connector Color	WHITE



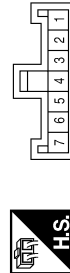
Terminal No.	Color of Wire	Signal Name
5P	W/G	-

Connector No.	R1
Connector Name	WIRE TO WIRE
Connector Color	WHITE



Terminal No.	Color of Wire	Signal Name
18	W/G	-
20	B	-

Connector No.	R7
Connector Name	AUTO ANTI-DAZZLING INSIDE MIRROR
Connector Color	WHITE



Terminal No.	Color of Wire	Signal Name
6	B	GND
7	W/G	IGN

A  
B  
C  
D  
E  
F  
G  
H  
I  
J  
K  
M  
N  
O  
P

MIR

ABLIA1867GB

# PRECAUTIONS

< PRECAUTION >

## PRECAUTION

### PRECAUTIONS

#### Precaution for Supplemental Restraint System (SRS) "AIR BAG" and "SEAT BELT PRE-TENSIONER"

INFOID:000000006254077

The Supplemental Restraint System such as "AIR BAG" and "SEAT BELT PRE-TENSIONER", used along with a front seat belt, helps to reduce the risk or severity of injury to the driver and front passenger for certain types of collision. This system includes seat belt switch inputs and dual stage front air bag modules. The SRS system uses the seat belt switches to determine the front air bag deployment, and may only deploy one front air bag, depending on the severity of a collision and whether the front occupants are belted or unbelted. Information necessary to service the system safely is included in the SR and SB section of this Service Manual.

#### **WARNING:**

- To avoid rendering the SRS inoperative, which could increase the risk of personal injury or death in the event of a collision which would result in air bag inflation, all maintenance must be performed by an authorized NISSAN/INFINITI dealer.
- Improper maintenance, including incorrect removal and installation of the SRS, can lead to personal injury caused by unintentional activation of the system. For removal of Spiral Cable and Air Bag Module, see the SR section.
- Do not use electrical test equipment on any circuit related to the SRS unless instructed to in this Service Manual. SRS wiring harnesses can be identified by yellow and/or orange harnesses or harness connectors.

#### PRECAUTIONS WHEN USING POWER TOOLS (AIR OR ELECTRIC) AND HAMMERS

#### **WARNING:**

- When working near the Airbag Diagnosis Sensor Unit or other Airbag System sensors with the Ignition ON or engine running, DO NOT use air or electric power tools or strike near the sensor(s) with a hammer. Heavy vibration could activate the sensor(s) and deploy the air bag(s), possibly causing serious injury.
- When using air or electric power tools or hammers, always switch the Ignition OFF, disconnect the battery, and wait at least 3 minutes before performing any service.

#### Precaution for Work

INFOID:000000006765732

- When removing or disassembling each component, be careful not to damage or deform it. If a component may be subject to interference, be sure to protect it with a shop cloth.
- When removing (disengaging) components with a screwdriver or similar tool, be sure to wrap the component with a shop cloth or vinyl tape to protect it.
- Protect the removed parts with a shop cloth and prevent them from being dropped.
- Replace a deformed or damaged clip.
- If a part is specified as a non-reusable part, always replace it with new one.
- Be sure to tighten bolts and nuts securely to the specified torque.
- After installation is complete, be sure to check that each part works properly.
- Follow the steps below to clean components.
  - Water soluble dirt: Dip a soft cloth into lukewarm water, and wring the water out of the cloth to wipe the dirty area.  
Then rub with a soft and dry cloth.
  - Oily dirt: Dip a soft cloth into lukewarm water with mild detergent (concentration: within 2 to 3%), and wipe the dirty area.  
Then dip a cloth into fresh water, and wring the water out of the cloth to wipe the detergent off. Then rub with a soft and dry cloth.
- Do not use organic solvent such as thinner, benzene, alcohol, or gasoline.
- For genuine leather seats, use a genuine leather seat cleaner.

# PREPARATION

< PREPARATION >

## PREPARATION

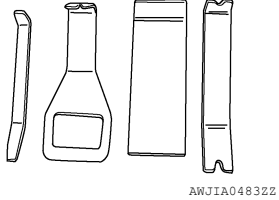
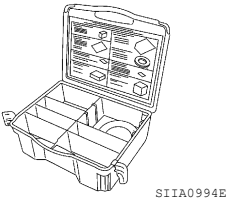
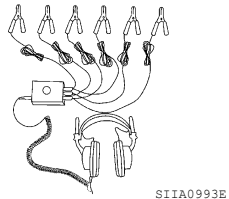
### PREPARATION

#### Special Service Tool

INFOID:000000006836384

The actual shapes of Kent-Moore tools may differ from those of special service tools illustrated here.

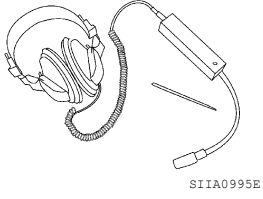
Tool number (Kent-Moore No.) Tool name	Description
— (J-39570) Chassis ear	Locating the noise
— (J-43980) NISSAN Squeak and Rattle Kit	Repairing the cause of noise
— (J-46534) Trim tool set	Removing trim components



#### Commercial Service Tool

INFOID:000000006836385

(Kent-Moore No.) Tool name	Description
(J-39565) Engine ear	Locating the noise



A  
B  
C  
D  
E  
F  
G  
H  
I  
J  
K  
MIR  
M  
N  
O  
P

## INSIDE MIRROR

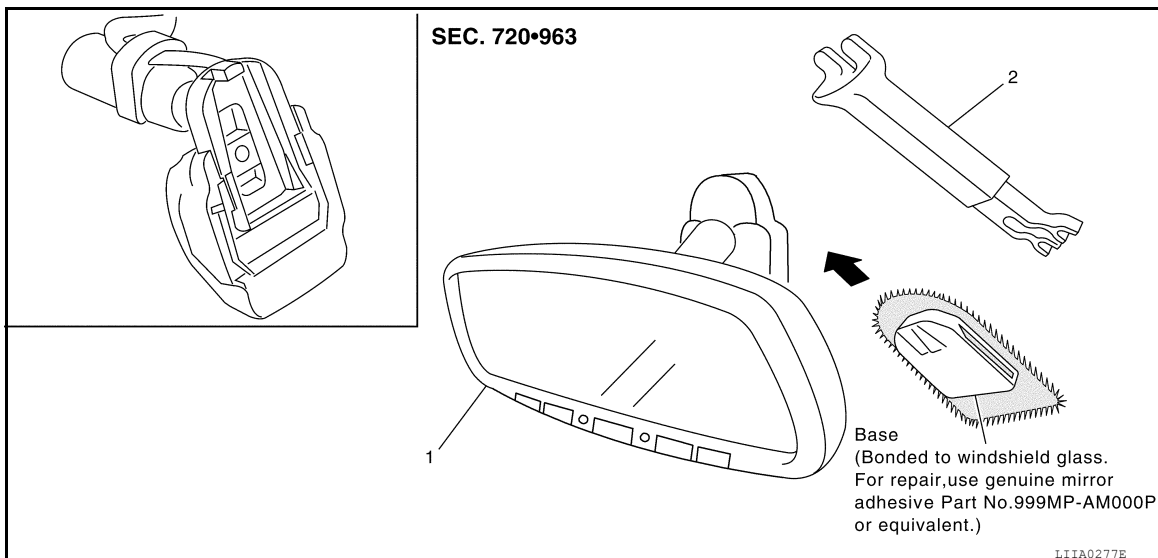
< UNIT REMOVAL AND INSTALLATION >

# UNIT REMOVAL AND INSTALLATION

## INSIDE MIRROR

Exploded view

INFOID:000000006836386



1. Inside mirror

2. Inside mirror finisher (If equipped)

## Removal and Installation

INFOID:000000006836387

### REMOVAL

1. Remove the inside mirror finisher.
2. Remove the screw and slide the mirror upward to remove.
3. Disconnect the connector.

### INSTALLATION

Installation is in the reverse order of removal.

# DOOR MIRROR

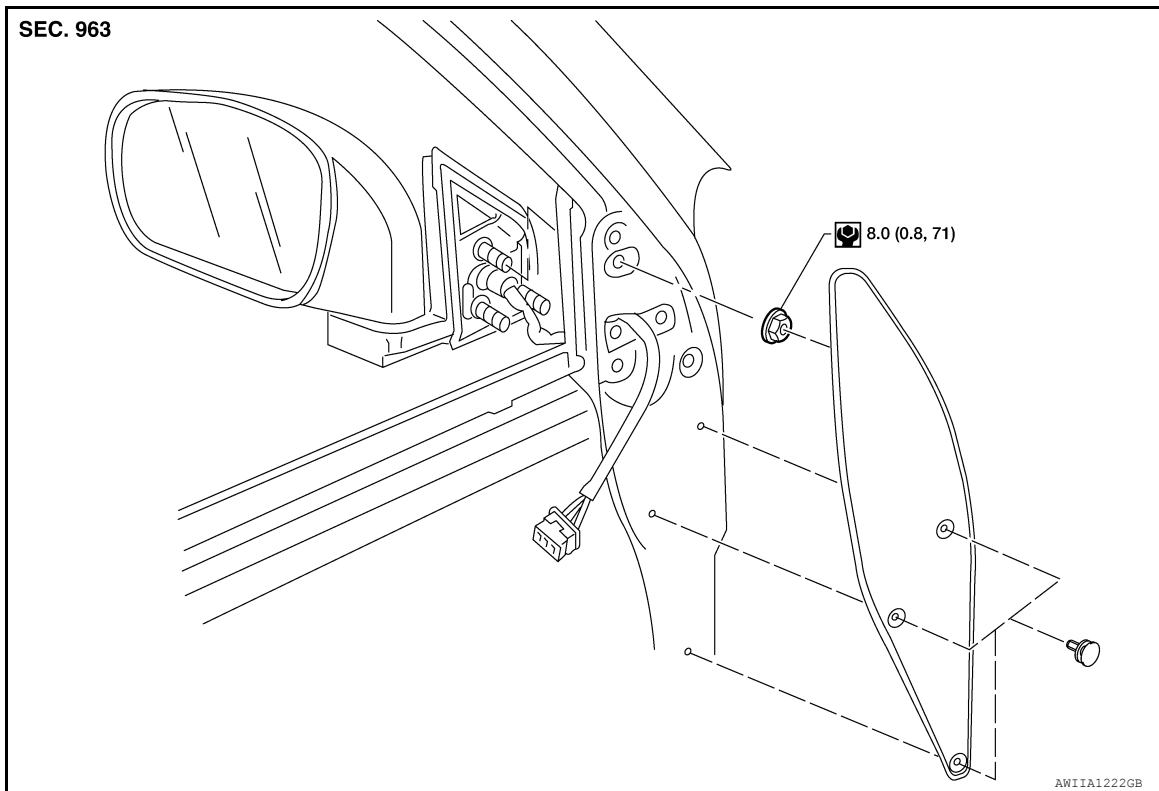
< UNIT REMOVAL AND INSTALLATION >

## DOOR MIRROR

### Door Mirror Assembly

INFOID:000000006836388

### EXPLODED VIEW



#### NOTE:

Power mirror shown, manual mirror similar.

### MANUAL MIRROR

#### CAUTION:

Be careful not to damage the mirror body.

#### Removal

1. Remove the front door sash cover.
2. Remove the front door finisher. Refer to [INT-14, "Removal and Installation"](#).
3. Remove the nuts and the door mirror assembly.

#### Installation

Installation is in the reverse order of removal

### POWER MIRROR

#### CAUTION:

Be careful not to damage the mirror body.

#### Removal

1. Remove the front door sash cover.
2. Remove the front door finisher. Refer to [INT-14, "Removal and Installation"](#).
3. Disconnect the door mirror harness connector.
4. Remove the nuts and the door mirror assembly.

#### Installation

Installation is in the reverse order of removal.

A  
B  
C  
D  
E  
F  
G  
H  
I  
J  
K

MIR

M  
N  
O  
P

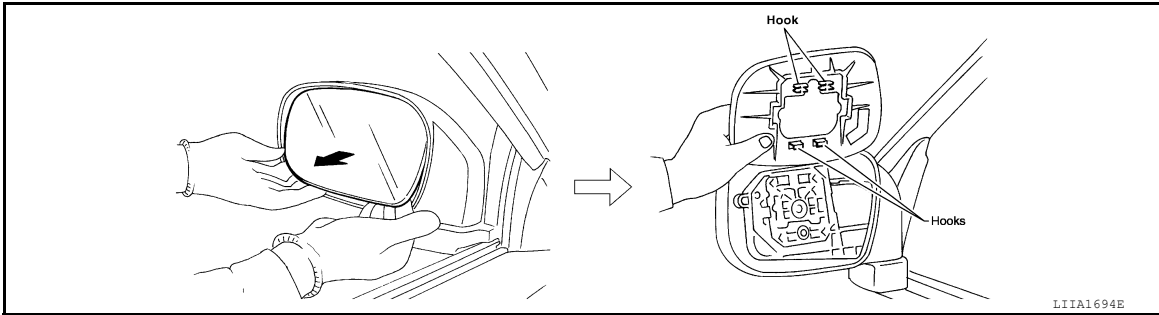
# DOOR MIRROR

< UNIT REMOVAL AND INSTALLATION >

## Door Mirror Glass

INFOID:000000006836389

### REMOVAL



1. Angle the mirror fully up.
2. Remove the mirror.
  - Pull from the bottom to disengage the clips.
  - Continue to pivot the mirror upward from the bottom to separate the hooks.
  - If equipped, disconnect the electrical connectors.

### INSTALLATION

Installation is in the reverse order of removal.

# DOOR MIRROR

< UNIT DISASSEMBLY AND ASSEMBLY >

## UNIT DISASSEMBLY AND ASSEMBLY

### DOOR MIRROR

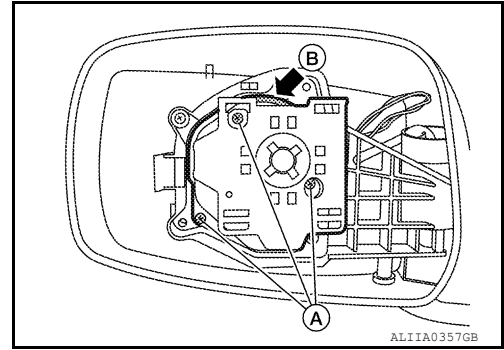
#### Mirror Actuator

INFOID:000000006254083

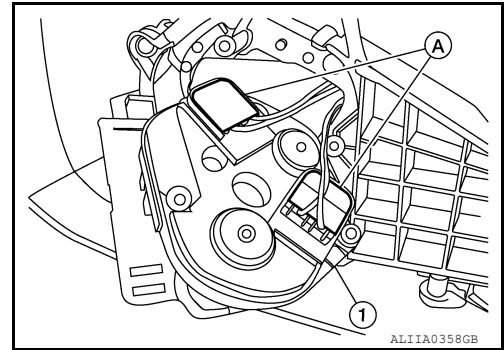
#### DISASSEMBLY AND ASSEMBLY

##### Disassembly

1. Remove the mirror glass. Refer to [MIR-14. "Door Mirror Glass"](#).
2. Remove the screws (A) and release the actuator from housing (B).



3. Disconnect the connectors (A) and remove the actuator (1).



##### Assembly

Assembly is the reverse order of disassembly.

A  
B  
C  
D  
E  
F  
G  
H  
I  
J  
K  
M  
N  
O  
P

MIR