

SECTION **DEF**  
**DEFOGGER**

A  
B  
C  
D  
E  
F  
G  
H  
I  
J  
K  
DEF  
M  
N  
O  
P

CONTENTS

<b>BASIC INSPECTION</b> .....	3	Description .....	12
<b>DIAGNOSIS AND REPAIR WORKFLOW</b> .....	3	Component Function Check .....	12
Repair Work Flow .....	3	Diagnosis Procedure .....	12
<b>SYSTEM DESCRIPTION</b> .....	4	Component Inspection .....	14
<b>REAR WINDOW DEFOGGER SYSTEM</b> .....	4	<b>DOOR MIRROR DEFOGGER RH</b> .....	15
System Diagram .....	4	Description .....	15
System Description .....	4	Component Function Check .....	15
Component Parts Location .....	5	Diagnosis Procedure .....	15
Component Description .....	5	Component Inspection .....	17
<b>DIAGNOSIS SYSTEM (BCM)</b> .....	6	<b>ECU DIAGNOSIS INFORMATION</b> .....	18
<b>COMMON ITEM</b> .....	6	<b>BCM (BODY CONTROL MODULE)</b> .....	18
COMMON ITEM : CONSULT Function (BCM -		Reference Value .....	18
COMMON ITEM) .....	6	Terminal Layout .....	21
<b>REAR DEFOGGER</b> .....	6	Physical Values .....	21
REAR DEFOGGER : CONSULT Function (BCM -		<b>WIRING DIAGRAM</b> .....	27
REAR DEFOGGER) .....	7	<b>REAR WINDOW DEFOGGER</b> .....	27
<b>DTC/CIRCUIT DIAGNOSIS</b> .....	8	Wiring Diagram .....	27
<b>REAR WINDOW DEFOGGER SWITCH</b> .....	8	<b>SYMPTOM DIAGNOSIS</b> .....	35
Description .....	8	<b>REAR WINDOW DEFOGGER AND DOOR</b>	
Component Function Check .....	8	<b>MIRROR DEFOGGER DO NOT OPERATE.</b> ....	35
Diagnosis Procedure .....	8	Diagnosis Procedure .....	35
<b>REAR WINDOW DEFOGGER RELAY</b> .....	9	<b>REAR WINDOW DEFOGGER DOES NOT</b>	
Description .....	9	<b>OPERATE BUT BOTH OF DOOR MIRROR</b>	
Component Function Check .....	9	<b>DEFOGGER OPERATE.</b> .....	36
Diagnosis Procedure .....	9	Diagnosis Procedure .....	36
<b>REAR WINDOW DEFOGGER POWER SUP-</b>		<b>BOTH DOORS MIRROR DEFOGGER DON'T</b>	
<b>PLY AND GROUND CIRCUIT</b> .....	10	<b>OPERATE BUT REAR WINDOW DEFOG-</b>	
Description .....	10	<b>GER OPERATES</b> .....	37
Component Function Check .....	10	Diagnosis Procedure .....	37
Diagnosis Procedure .....	10	<b>DRIVER SIDE DOOR MIRROR DEFOGGER</b>	
Component Inspection .....	11	<b>DOES NOT OPERATE.</b> .....	38
<b>DOOR MIRROR DEFOGGER LH</b> .....	12	Diagnosis Procedure .....	38

<b>PASSENGER SIDE DOOR MIRROR DEFOGGER DOES NOT OPERATE.</b> .....	<b>39</b>	<b>PRECAUTIONS</b> .....	<b>41</b>
Diagnosis Procedure .....	39	Precaution for Supplemental Restraint System (SRS) "AIR BAG" and "SEAT BELT PRE-TENSIONER" .....	41
<b>REAR WINDOW DEFOGGER SWITCH DOES NOT LIGHT, BUT REAR WINDOW DEFOGGER OPERATES</b> .....	<b>40</b>	Handling for Adhesive and Primer .....	41
Diagnosis Procedure .....	40	<b>REMOVAL AND INSTALLATION</b> .....	<b>42</b>
<b>PRECAUTION</b> .....	<b>41</b>	<b>REAR WINDOW DEFOGGER</b> .....	<b>42</b>
		Filament Check .....	42
		Filament Repair .....	42

# DIAGNOSIS AND REPAIR WORKFLOW

< BASIC INSPECTION >

## BASIC INSPECTION

### DIAGNOSIS AND REPAIR WORKFLOW

#### Repair Work Flow

INFOID:000000011069981

#### DETAILED FLOW

#### 1. LISTEN TO CUSTOMER COMPLAINT

Listen to customer complaint. Get detailed information about the conditions and environment when the symptom occurs.

>> GO TO 2.

#### 2. VERIFY THE SYMPTOM WITH OPERATIONAL CHECK

Verify the symptom with operational check.

>> GO TO 3.

#### 3. GO TO APPROPRIATE TROUBLE DIAGNOSIS

Go to appropriate trouble diagnosis.

>> GO TO 4.

#### 4. REPAIR OR REPLACE

Repair or replace the specific parts.

>> GO TO 5.

#### 5. FINAL CHECK

Final check.

Is inspection result normal?

YES >> Inspection End

NO >> Check for intermittent incident. Refer to [GI-41, "Intermittent Incident"](#).

A

B

C

D

E

F

G

H

I

J

K

DEF

M

N

O

P

# REAR WINDOW DEFOGGER SYSTEM

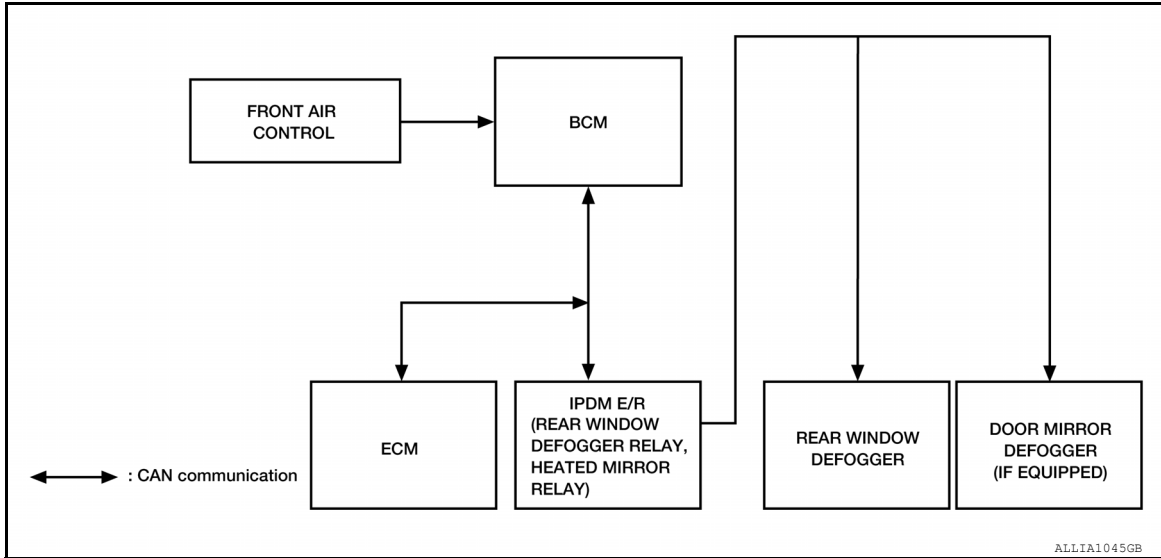
< SYSTEM DESCRIPTION >

## SYSTEM DESCRIPTION

### REAR WINDOW DEFOGGER SYSTEM

#### System Diagram

INFOID:000000011069982



#### System Description

INFOID:000000011069983

#### Operation Description

- When rear window defogger switch is turned ON while ignition switch is ON, the front air control transmits rear window defogger switch signal to BCM.
- BCM transmits rear window defogger control signal to IPDM E/R via CAN communication when rear window defogger operates.
- IPDM E/R turns rear window defogger relay and heated mirror relay (if equipped) ON when rear window defogger switch signal is received.
- Rear window defogger and door mirror defogger (if equipped) are supplied with power and operate when rear window defogger relay and heated mirror relay (if equipped) turn ON.
- Rear window defogger ON is displayed when signal is received.

#### Timer Function

- BCM turns rear window defogger relay and heated mirror relay (if equipped) ON for approximately 15 minutes when rear window defogger switch is turned ON while ignition switch is ON. It makes rear window defogger and door mirror defogger (if equipped) operate.
- Timer is canceled after pressing rear window defogger switch again during timer operation. Then BCM turns rear window defogger relay and heated mirror relay (if equipped) OFF. The same reaction also occurs during timer operation, if the ignition switch is turned OFF.

#### INPUT/OUTPUT SIGNAL CHART

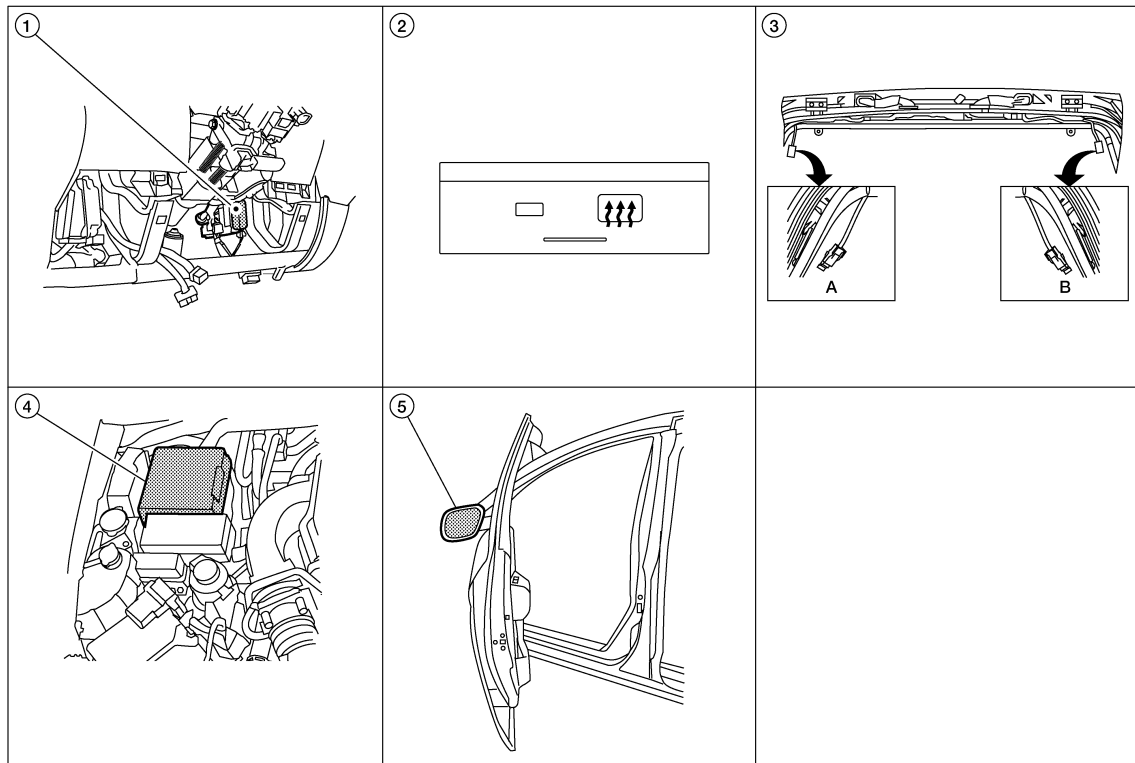
Switch	Input signal to BCM	BCM function	Actuator
Rear window defogger switch	Defogger switch signal	Rear window defogger & door mirror defogger (if equipped) control	Rear window defogger
Ignition switch	Ignition signal		Door mirror defogger (if equipped)

# REAR WINDOW DEFOGGER SYSTEM

< SYSTEM DESCRIPTION >

## Component Parts Location

INFOID:000000011069984



AWJIA127722

1. BCM M18, M19, M20 (view with lower instrument panel LH removed)
2. Rear window defogger switch
3. A. Rear window defogger ground connector D604  
B. Rear window defogger connector D651
4. IPDM E/R (rear window defogger relay, heated mirror relay if equipped) E120, E122, E124
5. Door mirror (door mirror defogger) LH D4, RH D107 (if equipped)

## Component Description

INFOID:000000011069985

BCM	<ul style="list-style-type: none"> <li>Operates the rear window defogger with the operation of rear window defogger switch.</li> <li>Performs the timer control of rear window defogger.</li> </ul>
Rear window defogger relay	<ul style="list-style-type: none"> <li>Operates the rear window defogger with the control signal from BCM.</li> </ul>
Rear window defogger switch	<ul style="list-style-type: none"> <li>The rear window defogger switch is turned ON.</li> <li>Turns the indicator lamp ON when detecting the operation of rear window defogger.</li> </ul>
Rear window defogger	<ul style="list-style-type: none"> <li>Heats the heating wire with the power supply from the rear window defogger relay to prevent the rear window from fogging up.</li> </ul>
Heated mirror relay*	Operates the door mirror defogger with the control signal from IPDM E/R. Controlled simultaneously with the rear window defogger relay.
Door mirror defogger*	The heating elements heat up when powered by the heated mirror relay to defog the door mirrors or prevent the door mirrors from fogging up.

\*:if equipped

A  
B  
C  
D  
E  
F  
G  
H  
I  
J  
K  
DEF  
M  
N  
O  
P

## DIAGNOSIS SYSTEM (BCM)

< SYSTEM DESCRIPTION >

### DIAGNOSIS SYSTEM (BCM)

#### COMMON ITEM

COMMON ITEM : CONSULT Function (BCM - COMMON ITEM)

INFOID:000000011372142

#### APPLICATION ITEM

CONSULT performs the following functions via CAN communication with BCM.

Direct Diagnostic Mode	Description
ECU Identification	The BCM part number is displayed.
Self Diagnostic Result	The BCM self diagnostic results are displayed.
Data Monitor	The BCM input/output data is displayed in real time.
Active Test	The BCM activates outputs to test components.
Work support	The settings for BCM functions can be changed.
Configuration	<ul style="list-style-type: none"> <li>• The vehicle specification can be read and saved.</li> <li>• The vehicle specification can be written when replacing BCM.</li> </ul>
CAN Diag Support Mntr	The result of transmit/receive diagnosis of CAN communication is displayed.

#### SYSTEM APPLICATION

BCM can perform the following functions.

System	Sub System	Direct Diagnostic Mode						
		ECU Identification	Self Diagnostic Result	Data Monitor	Active Test	Work support	Configuration	CAN Diag Support Mntr
Door lock	DOOR LOCK			x	x	x		
Rear window defogger	REAR DEFOGGER			x	x			
Warning chime	BUZZER			x	x			
Interior room lamp timer	INT LAMP			x	x	x		
Remote keyless entry system	MULTI REMOTE ENT			x	x	x		
Exterior lamp	HEAD LAMP			x	x	x		
Wiper and washer	WIPER			x	x	x		
Turn signal and hazard warning lamps	FLASHER			x	x			
Air conditioner	AIR CONDITIONER			x				
Combination switch	COMB SW			x				
BCM	BCM	x	x			x	x	x
Immobilizer	IMMU		x	x	x			
Interior room lamp battery saver	BATTERY SAVER			x	x	x		
Back door open	TRUNK			x	x			
Vehicle security system	THEFT ALM			x	x	x		
RAP system	RETAINED PWR			x	x	x		
Signal buffer system	SIGNAL BUFFER			x	x			
TPMS	AIR PRESSURE MONITOR		x	x	x	x		
Panic alarm system	PANIC ALARM				x			

#### REAR DEFOGGER

# DIAGNOSIS SYSTEM (BCM)

< SYSTEM DESCRIPTION >

REAR DEFOGGER : CONSULT Function (BCM - REAR DEFOGGER)

INFOID:0000000011372143

## DATA MONITOR

Monitor Item [Unit]	Description
IGN ON SW [On/Off]	Indicates condition of ignition switch ON position.
ACC ON SW [On/Off]	Indicates condition of ignition switch ACC position.
REAR DEF SW [On/Off]	Indicates condition of rear window defogger switch.

## ACTIVE TEST

Test Item	Description
REAR DEFOGGER	This test is able to check rear window defogger operation [Off/On].

A  
B  
C  
D  
E  
F  
G  
H  
I  
J  
K  
DEF  
M  
N  
O  
P

# REAR WINDOW DEFOGGER SWITCH

< DTC/CIRCUIT DIAGNOSIS >

## DTC/CIRCUIT DIAGNOSIS

### REAR WINDOW DEFOGGER SWITCH

#### Description

INFOID:0000000011069988

- The rear window defogger is operated by turning the rear window defogger switch ON.
- Turns the indicator lamp in the rear window defogger switch ON when operating the rear window defogger.

#### Component Function Check

INFOID:0000000011069989

#### 1. CHECK REAR WINDOW DEFOGGER SWITCH FUNCTION

Check that the indicator lamp of rear window defogger illuminates with rear window defogger switch ON.

Is the inspection result normal?

- YES >> Rear window defogger switch function is OK.  
NO >> Refer to [DEF-8, "Diagnosis Procedure"](#).

#### Diagnosis Procedure

INFOID:0000000011069990

Regarding Wiring diagram information, refer to [DEF-27, "Wiring Diagram"](#).

#### 1. CHECK FRONT AIR CONTROL (REAR WINDOW DEFOGGER SWITCH) CIRCUIT

Operate the rear window defogger switch.

Is the inspection result normal?

- YES >> Inspection End.  
NO >> GO TO 2.

#### 2. CHECK HARNESS CONTINUITY

1. Turn ignition switch OFF.
2. Disconnect BCM and front air control.
3. Check continuity between BCM harness connector M19 terminal 41 and front air control harness connector M50 terminal 16.

BCM connector	Terminal	Front air control connector	Terminal	Continuity
M19	41	M50	16	Yes

4. Check continuity between BCM harness connector M19 terminal 41 and ground.

BCM connector	Terminal	Ground	Continuity
M19	41	Ground	No

Is the inspection result normal?

- YES >> Replace front air control. Refer to [VTL-7, "Removal and Installation"](#).  
NO >> Repair or replace harness.



# REAR WINDOW DEFOGGER RELAY

< DTC/CIRCUIT DIAGNOSIS >

## REAR WINDOW DEFOGGER RELAY

### Description

INFOID:0000000011069991

Power is supplied to the rear window defogger with BCM control.

### Component Function Check

INFOID:0000000011069992

#### 1. CHECK REAR WINDOW DEFOGGER RELAY POWER SUPPLY CIRCUIT

Check that an operation noise of rear window defogger relay (located in IPDM E/R) can be heard when turning the rear window defogger switch ON.

Is the inspection result normal?

- YES >> Rear window defogger relay power supply circuit is OK.
- NO >> Refer to [DEF-9, "Diagnosis Procedure"](#).

### Diagnosis Procedure

INFOID:0000000011069993

Regarding Wiring diagram information, refer to [DEF-27, "Wiring Diagram"](#).

#### 1. CHECK FUSES

Check if any of the following fuses in the IPDM E/R are blown.

COMPONENT PARTS	AMPERE	FUSE NO.
IPDM E/R	15A	46
IPDM E/R	15A	47

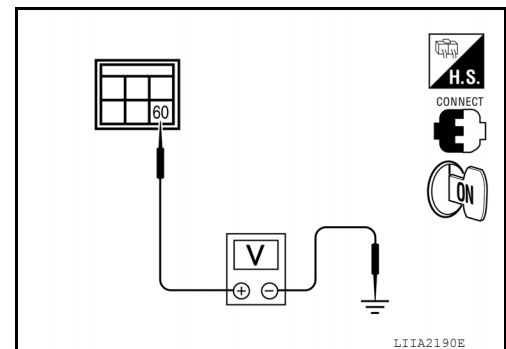
Is the inspection result normal?

- YES >> GO TO 2.
- NO >> Replace the blown fuse after repairing the affected circuit.

#### 2. CHECK REAR WINDOW DEFOGGER RELAY POWER SUPPLY CIRCUIT

1. Turn ignition switch ON.
2. Check voltage between IPDM E/R harness connector E124 terminal 60 and ground.

Terminals		Condition of rear window defogger switch	Voltage (V) (Approx.)
(+)	(-)		
IPDM E/R connector	Terminal		
E124	60	ON	Battery voltage
		OFF	0



Is the inspection result normal?

- YES >> GO TO 3.
- NO >> Replace IPDM E/R. Refer to [PCS-27, "Removal and Installation"](#).

#### 3. CHECK INTERMITTENT INCIDENT

Check for intermittent incident.  
Refer to [GI-41, "Intermittent Incident"](#).

Is the inspection result normal?

- YES >> Check the following.
  - Battery power supply circuit
  - IPDM E/R
- NO >> Repair or replace the malfunctioning parts.

A  
B  
C  
D  
E  
F  
G  
H  
I  
J  
K  
DEF  
M  
N  
O  
P

# REAR WINDOW DEFOGGER POWER SUPPLY AND GROUND CIRCUIT

< DTC/CIRCUIT DIAGNOSIS >

## REAR WINDOW DEFOGGER POWER SUPPLY AND GROUND CIRCUIT

### Description

INFOID:000000011069994

Heats the heating wire with the power supply from the rear window defogger relay to prevent the rear window from fogging up.

### Component Function Check

INFOID:000000011069995

## 1. CHECK REAR WINDOW DEFOGGER

Check that the heating wire of rear window defogger is heated when turning the rear window defogger switch ON.

Is the inspection result normal?

- YES >> Rear window defogger is OK.
- NO >> Refer to [DEF-10, "Diagnosis Procedure"](#).

### Diagnosis Procedure

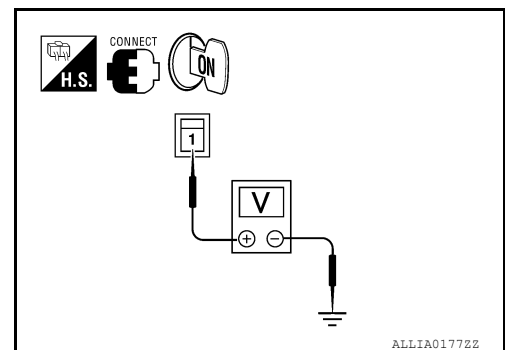
INFOID:000000011069996

Regarding Wiring diagram information, refer to [DEF-27, "Wiring Diagram"](#).

## 1. CHECK POWER SUPPLY CIRCUIT

1. Turn ignition switch ON.
2. Check voltage between rear window defogger harness connector D651 terminal 1 and ground.

Terminals		Condition of rear window defogger switch	Voltage (V) (Approx.)
(+)	(-)		
Rear window defogger connector	Terminal		
D651	1	ON	Battery voltage
		OFF	0



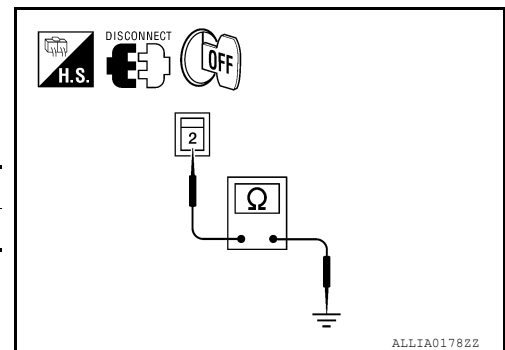
Is the inspection result normal?

- YES >> GO TO 2.
- NO >> GO TO 3.

## 2. CHECK GROUND CIRCUIT

1. Turn ignition switch OFF.
2. Disconnect rear window defogger.
3. Check continuity between rear window defogger harness connector D604 terminal 2 and ground.

Rear window defogger connector	Terminal	Ground	Continuity
D604	2		Yes



Is the inspection result normal?

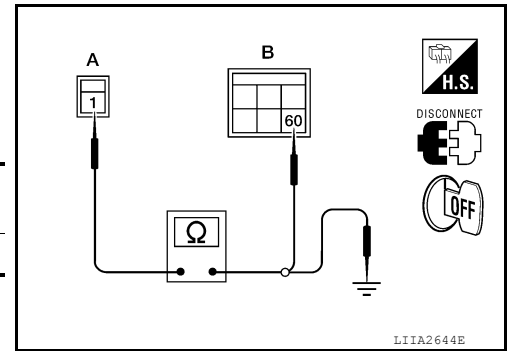
- YES >> GO TO 4.
- NO >> Repair or replace harness.

## 3. CHECK HARNESS CONTINUITY

# REAR WINDOW DEFOGGER POWER SUPPLY AND GROUND CIRCUIT

## < DTC/CIRCUIT DIAGNOSIS >

1. Disconnect IPDM E/R.
2. Check continuity between rear window defogger harness connector D651 (A) terminal 1 and IPDM E/R harness E124 (B) terminal 60 connector.



Rear window defogger connector	Terminal	IPDM E/R connector	Terminal	Continuity
D651 (A)	1	E124 (B)	60	Yes

3. Check continuity between rear window defogger harness connector D651 (A) terminal 1 and ground.

Rear window defogger connector	Terminal	Ground	Continuity
D651 (A)	1		No

Is the inspection result normal?

- YES >> GO TO 5.  
 NO >> Replace or repair harness as necessary.

## 4. CHECK FILAMENT

Check filament.

Refer to [DEF-11, "Component Inspection"](#).

Is the inspection result normal?

- YES >> Check for intermittent incident. Refer to [GI-41, "Intermittent Incident"](#).  
 NO >> Repair filament. Refer to [DEF-42, "Filament Repair"](#).

## 5. CHECK INTERMITTENT INCIDENT

Check intermittent incident.

Refer to [GI-41, "Intermittent Incident"](#).

Is the inspection result normal?

- YES >> Check the following.
- Battery power supply circuit
  - IPDM E/R
- NO >> Repair or replace the malfunctioning parts.

## Component Inspection

INFOID:000000011069997

### 1. CHECK FILAMENT

Check the filament for damage or open circuits.

Refer to [DEF-42, "Filament Check"](#).

Is the inspection result normal?

- YES >> Inspection End.  
 NO >> Repair filament. Refer to [DEF-42, "Filament Repair"](#).

A  
B  
C  
D  
E  
F  
G  
H  
I  
J  
K  
DEF  
M  
N  
O  
P

# DOOR MIRROR DEFOGGER LH

< DTC/CIRCUIT DIAGNOSIS >

## DOOR MIRROR DEFOGGER LH

### Description

INFOID:000000011069998

Heats the heating wire with the power supply from the heated mirror relay to prevent the door mirror from fogging up.

### Component Function Check

INFOID:000000011069999

#### 1. CHECK DOOR MIRROR DEFOGGER LH

Check that heating wire of door mirror defogger LH is heated when turning the rear window defogger switch ON.

Is the inspection result normal?

- YES >> Door mirror defogger LH is OK.
- NO >> Refer to [DEF-12, "Diagnosis Procedure"](#).

### Diagnosis Procedure

INFOID:000000011070000

Regarding Wiring diagram information, refer to [DEF-27, "Wiring Diagram"](#).

#### 1. CHECK POWER SUPPLY

Check if the following fuse in the IPDM E/R is blown.

COMPONENT PARTS	AMPERE	FUSE NO.
IPDM E/R	15A	43

Is the inspection result normal?

- YES >> GO TO 2.
- NO >> Replace the blown fuse after repairing the affected circuit.

#### 2. CHECK DOOR MIRROR DEFOGGER POWER SUPPLY CIRCUIT

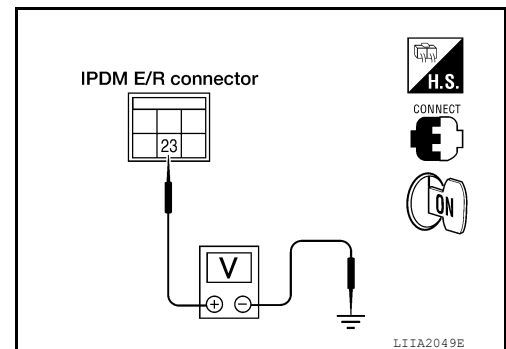
1. Turn ignition switch ON.
2. Check voltage between IPDM E/R harness connector E120 terminal 23 and ground.

Connector	Terminal		Condition	Voltage (V) (Approx.)
	(+)	(-)		
E120	23	Ground	Rear window defogger switch ON	Battery voltage
			Rear window defogger switch OFF	0

Is the inspection result normal?

- YES >> GO TO 3.
- NO >> Replace IPDM E/R. Refer to [PCS-27, "Removal and Installation"](#).

#### 3. CHECK DOOR MIRROR DEFOGGER LH POWER SUPPLY CIRCUIT

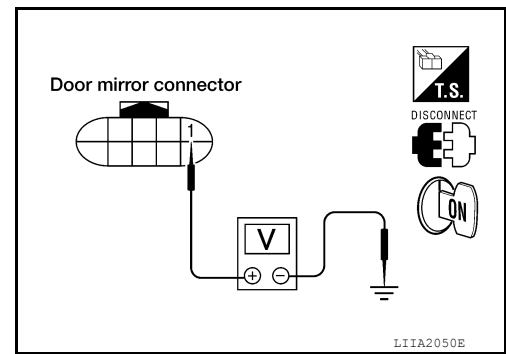


# DOOR MIRROR DEFOGGER LH

## < DTC/CIRCUIT DIAGNOSIS >

1. Turn ignition switch OFF.
2. Disconnect door mirror LH.
3. Turn ignition switch ON.
4. Check voltage between door mirror LH harness connector D4 terminal 1 and ground.

Connector	Terminal		Condition	Voltage (V) (Approx.)
	(+)	(-)		
D4	1	Ground	Rear window defogger switch ON	Battery voltage
			Rear window defogger switch OFF	0



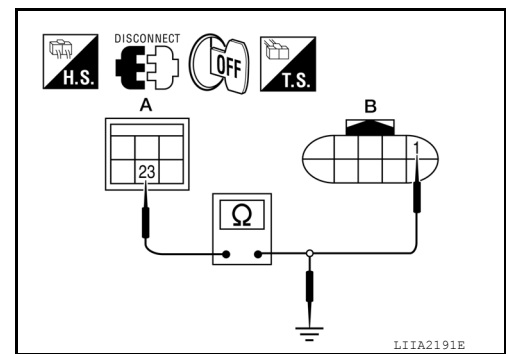
Is the inspection result normal?

- YES >> GO TO 4.  
NO >> Repair or replace harness.

## 4. CHECK DOOR MIRROR DEFOGGER LH CIRCUIT

1. Turn ignition switch OFF.
2. Disconnect IPDM E/R.
3. Check continuity between IPDM E/R harness connector E120 (A) terminal 23 and door mirror LH harness connector D4 (B) terminal 1.

Connector	Terminal	Connector	Terminal	Continuity
A		B		
IPDM E/R: E120	23	Door mirror: D4	1	Yes



4. Check continuity between IPDM E/R harness connector E120 (A) terminal 23 and ground.

A		Ground	Continuity
Connector	Terminal		
IPDM E/R: E120	23		No

Is the inspection result normal?

- YES >> GO TO 5.  
NO >> Repair or replace harness.

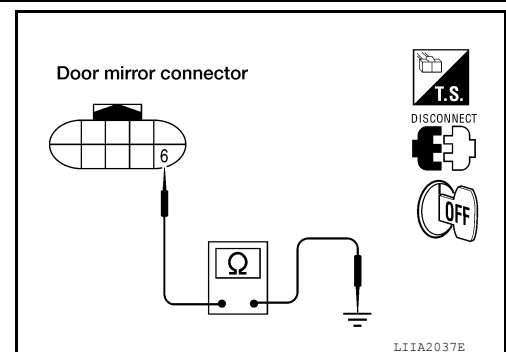
## 5. CHECK DOOR MIRROR DEFOGGER LH GROUND CIRCUIT

Check continuity between door mirror LH harness connector D4 terminal 6 and ground.

**6 - Ground : Continuity should exist.**

Is the inspection result normal?

- YES >> GO TO 6.  
NO >> Repair or replace harness.



## 6. CHECK DOOR MIRROR DEFOGGER LH

Check door mirror defogger LH.  
Refer to [DEF-14, "Component Inspection"](#).

Is the inspection result normal?

- YES >> GO TO 7.

A  
B  
C  
D  
E  
F  
G  
H  
I  
J  
K  
DEF  
M  
N  
O  
P

## DOOR MIRROR DEFOGGER LH

### < DTC/CIRCUIT DIAGNOSIS >

NO >> Replace door mirror LH. Refer to [MIR-21, "Door Mirror Assembly"](#).

### 7. CHECK INTERMITTENT INCIDENT

Check intermittent incident.

Refer to [GI-41, "Intermittent Incident"](#).

Is the inspection result normal?

- YES >> Check the following.
- Battery power supply circuit
  - IPDM E/R

NO >> Repair or replace the malfunctioning parts.

### Component Inspection

INFOID:000000011070001

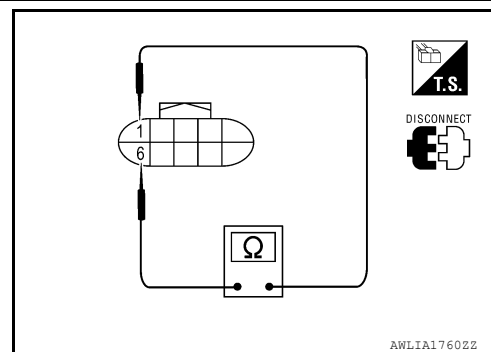
### 1. CHECK DOOR MIRROR DEFOGGER LH

Check continuity between door mirror LH terminals 1 and 6.

**1 - 6 : Continuity should exist.**

Is the inspection result normal?

- YES >> Check the condition of the harness and the connector.
- NO >> Replace malfunctioning door mirror LH. Refer to [MIR-21, "Door Mirror Assembly"](#).



# DOOR MIRROR DEFOGGER RH

< DTC/CIRCUIT DIAGNOSIS >

## DOOR MIRROR DEFOGGER RH

### Description

INFOID:0000000011070002

Heats the heating wire with the power supply from the heated mirror relay to prevent the door mirror from fogging up.

### Component Function Check

INFOID:0000000011070003

#### 1. CHECK DOOR MIRROR DEFOGGER RH

Check that the heating wire of door mirror defogger RH is heated when turning the rear window defogger switch ON.

Is the inspection result normal?

- YES >> Door mirror defogger RH is OK.
- NO >> Refer to [DEF-15, "Diagnosis Procedure"](#).

### Diagnosis Procedure

INFOID:0000000011070004

Regarding Wiring diagram information, refer to [DEF-27, "Wiring Diagram"](#).

#### 1. CHECK POWER SUPPLY

Check if the following fuse in the IPDM E/R is blown.

COMPONENT PARTS	AMPERE	FUSE NO.
IPDM E/R	15A	43

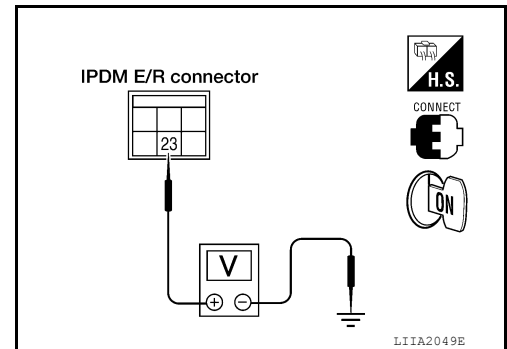
Is the inspection result normal?

- YES >> GO TO 2.
- NO >> Replace the blown fuse after repairing the affected circuit.

#### 2. CHECK DOOR MIRROR DEFOGGER POWER SUPPLY CIRCUIT

1. Turn ignition switch ON.
2. Check voltage between IPDM E/R harness connector E120 terminal 23 and ground.

Connector	Terminal		Condition	Voltage (V) (Approx.)
	(+)	(-)		
E120	23	Ground	Rear window defogger switch ON	Battery voltage
			Rear window defogger switch OFF	0



Is the inspection result normal?

- YES >> GO TO 3.
- NO >> Replace IPDM E/R. Refer to [PCS-27, "Removal and Installation"](#).

#### 3. CHECK DOOR MIRROR DEFOGGER RH POWER SUPPLY CIRCUIT

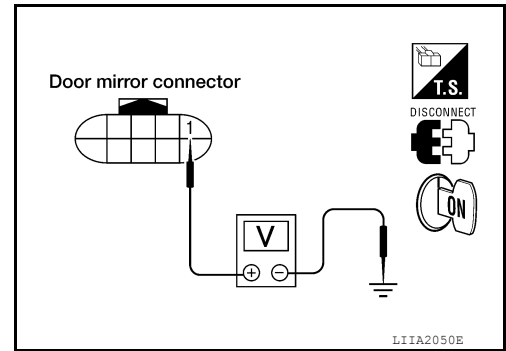
A  
B  
C  
D  
E  
F  
G  
H  
I  
J  
K  
DEF  
M  
N  
O  
P

# DOOR MIRROR DEFOGGER RH

## < DTC/CIRCUIT DIAGNOSIS >

1. Turn ignition switch OFF.
2. Disconnect door mirror RH.
3. Turn ignition switch ON.
4. Check voltage between door mirror RH harness connector D107 terminal 1 and ground.

Connector	Terminal		Condition	Voltage (V) (Approx.)
	(+)	(-)		
D107	1	Ground	Rear window defogger switch ON	Battery voltage
			Rear window defogger switch OFF	0



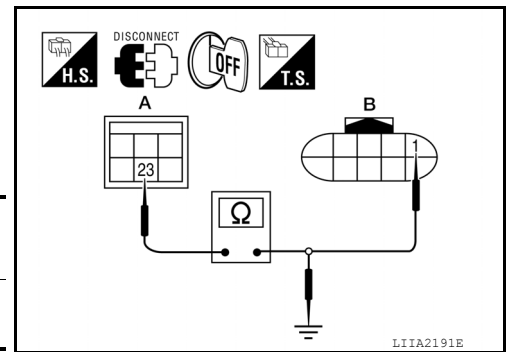
Is the inspection result normal?

- YES >> GO TO 4.  
NO >> Repair or replace harness.

## 4. CHECK DOOR MIRROR DEFOGGER RH CIRCUIT

1. Turn ignition switch OFF.
2. Disconnect IPDM E/R.
3. Check continuity between IPDM E/R harness connector E120 (A) terminal 23 and door mirror RH harness connector D107 (B) terminal 1.

Connector	Terminal	Connector	Terminal	Continuity
A		B		
IPDM E/R: E120	23	Door mirror: D107	1	Yes



4. Check continuity between IPDM E/R harness connector D120 (A) terminal 23 and ground.

A		Ground	Continuity
Connector	Terminal		
IPDM E/R: E120	23		No

Is the inspection result normal?

- YES >> GO TO 5.  
NO >> Repair or replace harness.

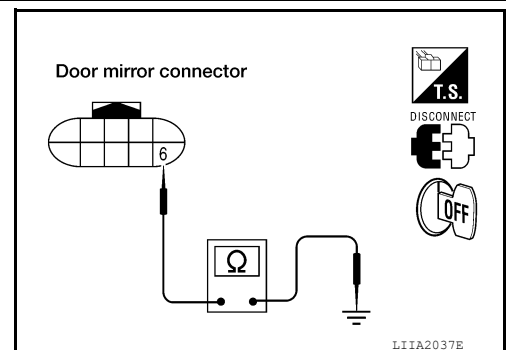
## 5. CHECK DOOR MIRROR DEFOGGER RH GROUND CIRCUIT

Check continuity between door mirror RH harness connector D107 terminal 6 and ground.

**6 - Ground : Continuity should exist.**

Is the inspection result normal?

- YES >> GO TO 6.  
NO >> Repair or replace harness.



## 6. CHECK DOOR MIRROR DEFOGGER RH

Check door mirror defogger RH.  
Refer to [DEF-17, "Component Inspection"](#).

Is the inspection result normal?

- YES >> GO TO 7.



# DOOR MIRROR DEFOGGER RH

## < DTC/CIRCUIT DIAGNOSIS >

NO >> Replace door mirror RH. Refer to [MIR-21, "Door Mirror Assembly"](#).

### 7. CHECK INTERMITTENT INCIDENT

Check intermittent incident.

Refer to [GI-41, "Intermittent Incident"](#).

Is the inspection result normal?

YES >> Check the following.

- Battery power supply circuit
- IPDM E/R

NO >> Repair or replace the malfunctioning parts.

### Component Inspection

INFOID:000000011070005

### 1. CHECK DOOR MIRROR DEFOGGER RH

Check continuity between door mirror RH terminals 1 and 6.

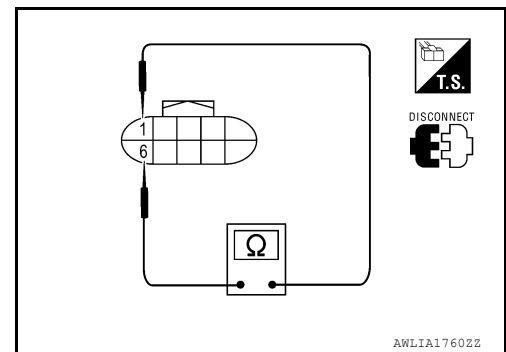
**1 - 6**

**: Continuity should exist.**

Is the inspection result normal?

YES >> Check the condition of the harness and the connector.

NO >> Replace malfunctioning door mirror RH. Refer to [MIR-21, "Door Mirror Assembly"](#).



A  
B  
C  
D  
E  
F  
G  
H  
I  
J  
K  
DEF  
M  
N  
O  
P

# BCM (BODY CONTROL MODULE)

< ECU DIAGNOSIS INFORMATION >

## ECU DIAGNOSIS INFORMATION

### BCM (BODY CONTROL MODULE)

#### Reference Value

INFOID:0000000011372192

#### NOTE:

The Signal Tech II Tool [– (J-50190)] can be used to perform the following functions. Refer to the Signal Tech II User Guide for additional information.

- Activate and display TPMS transmitter IDs
- Display tire pressure reported by the TPMS transmitter
- Read TPMS DTCs
- Register TPMS transmitter IDs

#### VALUES ON THE DIAGNOSIS TOOL

Monitor Item	Condition	Value/Status
ACC ON SW	Ignition switch OFF or ON	Off
	Ignition switch ACC	On
AIR COND SW	A/C switch OFF	Off
	A/C switch ON	On
AIR PRESS FL	Front left tire air pressure value	kPa, kg/cm <sup>2</sup> , psi
AIR PRESS FR	Front right tire air pressure value	kPa, kg/cm <sup>2</sup> , psi
AIR PRESS RL	Rear left tire air pressure value	kPa, kg/cm <sup>2</sup> , psi
AIR PRESS RR	Rear right tire air pressure value	kPa, kg/cm <sup>2</sup> , psi
AUTO LIGHT SW	Lighting switch OFF	Off
	Lighting switch AUTO	On
BACK DOOR SW	Back door closed	Off
	Back door opened	On
BRAKE SW	Brake pedal released	Off
	Brake pedal applied	On
BUCKLE SW	Seat belt buckle unfastened	Off
	Seat belt buckle fastened	On
BUZZER	Buzzer in combination meter OFF	Off
	Buzzer in combination meter ON	On
CARGO LAMP SW	Cargo lamp switch OFF	Off
	Cargo lamp switch ON	On
CDL LOCK SW	Door lock/unlock switch does not operate	Off
	Press door lock/unlock switch to the LOCK side	On
CDL UNLOCK SW	Door lock/unlock switch does not operate	Off
	Press door lock/unlock switch to the UNLOCK side	On
DOOR SW-AS	Front door RH closed	Off
	Front door RH opened	On
DOOR SW-DR	Front door LH closed	Off
	Front door LH opened	On
DOOR SW-RL	Rear door LH closed	Off
	Rear door LH opened	On
DOOR SW-RR	Rear door RH closed	Off
	Rear door RH opened	On

## BCM (BODY CONTROL MODULE)

### < ECU DIAGNOSIS INFORMATION >

Monitor Item	Condition	Value/Status	
ENGINE RUN	Engine stopped	Off	A
	Engine running	On	
FAN ON SIG	Blower motor fan switch OFF	Off	B
	Blower motor fan switch ON	On	
FR FOG SW	Front fog lamp switch OFF	Off	C
	Front fog lamp switch ON	On	
FR WASHER SW	Front washer switch OFF	Off	
	Front washer switch ON	On	D
FR WIPER LOW	Front wiper switch OFF	Off	
	Front wiper switch LO	On	
FR WIPER HI	Front wiper switch OFF	Off	E
	Front wiper switch HI	On	
FR WIPER INT	Front wiper switch OFF	Off	F
	Front wiper switch INT	On	
FR WIPER STOP	Any position other than front wiper stop position	Off	
	Front wiper stop position	On	G
HAZARD SW	When hazard switch is not pressed	Off	
	When hazard switch is pressed	On	H
HEAD LAMP SW 1	Headlamp switch OFF	Off	
	Headlamp switch 1st	On	
HEAD LAMP SW 2	Headlamp switch OFF	Off	I
	Headlamp switch 1st	On	
HI BEAM SW	High beam switch OFF	Off	J
	High beam switch HI	On	
ID REGST FL1	ID registration of front left tire incomplete	YET	
	ID registration of front left tire complete	DONE	K
ID REGST FR1	ID registration of front right tire incomplete	YET	
	ID registration of front right tire complete	DONE	
ID REGST RL1	ID registration of rear left tire incomplete	YET	DEF
	ID registration of rear left tire complete	DONE	
ID REGST RR1	ID registration of rear right tire incomplete	YET	
	ID registration of rear right tire complete	DONE	M
IGN ON SW	Ignition switch OFF or ACC	Off	
	Ignition switch ON	On	N
IGN SW CAN	Ignition switch OFF or ACC	Off	
	Ignition switch ON	On	
INT VOLUME	Wiper intermittent dial is in a dial position 1 - 7	1 - 7	O
KEY CYL LK-SW	Door key cylinder LOCK position	Off	
	Door key cylinder other than LOCK position	On	P
KEY CYL UN-SW	Door key cylinder UNLOCK position	Off	
	Door key cylinder other than UNLOCK position	On	
KEY ON SW	Mechanical key is removed from key cylinder	Off	
	Mechanical key is inserted to key cylinder	On	

## BCM (BODY CONTROL MODULE)

### < ECU DIAGNOSIS INFORMATION >

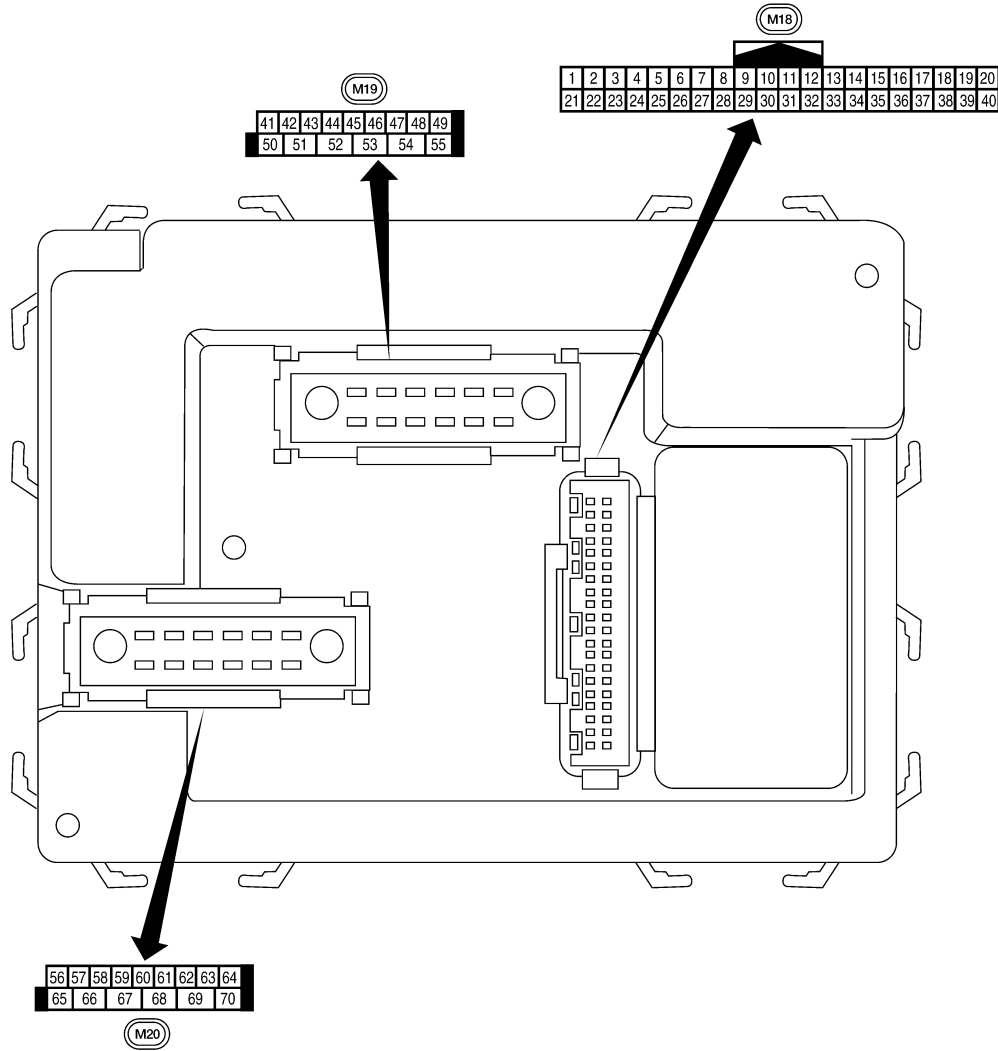
Monitor Item	Condition	Value/Status
KEYLESS LOCK	LOCK button of key fob is not pressed	Off
	LOCK button of key fob is pressed	On
KEYLESS PANIC	PANIC button of key fob is not pressed	Off
	PANIC button of key fob is pressed	On
KEYLESS UNLOCK	UNLOCK button of key fob is not pressed	Off
	UNLOCK button of key fob is pressed	On
LIGHT SW 1ST	Lighting switch OFF	Off
	Lighting switch 1st	On
OIL PRESS SW	<ul style="list-style-type: none"> <li>• Ignition switch OFF or ACC</li> <li>• Engine running</li> </ul>	Off
	Ignition switch ON	On
OPTICAL SENSOR	Bright outside of the vehicle	Close to 5V
	Dark outside of the vehicle	Close to 0V
PASSING SW	Other than lighting switch PASS	Off
	Lighting switch PASS	On
PKB SW	Parking brake released	Off
	Parking brake engaged	On
REAR DEF SW	Rear window defogger switch OFF	Off
	Rear window defogger switch ON	On
RR WASHER SW	Rear washer switch OFF	Off
	Rear washer switch ON	On
RR WIPER INT	Rear wiper switch OFF	Off
	Rear wiper switch INT	On
RR WIPER ON	Rear wiper switch OFF	Off
	Rear wiper switch ON	On
RR WIPER STOP	Rear wiper stop position	Off
	Other than rear wiper stop position	On
TURN SIGNAL L	Turn signal switch OFF	Off
	Turn signal switch LH	On
TURN SIGNAL R	Turn signal switch OFF	Off
	Turn signal switch RH	On
VEHICLE SPEED	While driving	Equivalent to speedometer reading
WARNING LAMP	Low tire pressure warning lamp in combination meter OFF	Off
	Low tire pressure warning lamp in combination meter ON	On

# BCM (BODY CONTROL MODULE)

< ECU DIAGNOSIS INFORMATION >

## Terminal Layout

INFOID:0000000011372193



A  
B  
C  
D  
E  
F  
G  
H  
I  
J  
K  
DEF  
M  
N  
O  
P


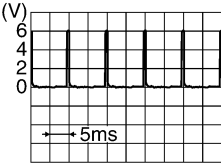

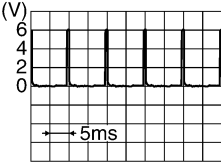
## Physical Values

LIIA2443E

INFOID:0000000011372194

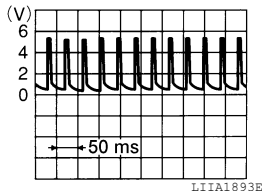
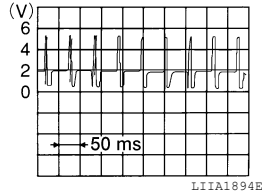
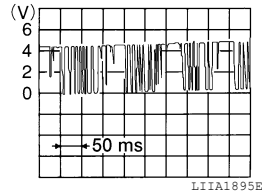
# BCM (BODY CONTROL MODULE)

## < ECU DIAGNOSIS INFORMATION >

Terminal	Wire color	Signal name	Signal input/output	Measuring condition		Reference value or waveform (Approx.)
				Ignition switch	Operation or condition	
1	BR	Ignition keyhole illumination	Output	OFF	Door is locked (SW OFF)	Battery voltage
					Door is unlocked (SW ON)	0V
2	P	Combination switch input 5	Input	ON	Lighting, turn, wiper OFF Wiper dial position 4	 <p style="text-align: right; font-size: small;">SKIA5291E</p>
3	SB	Combination switch input 4	Input	ON	Lighting, turn, wiper OFF Wiper dial position 4	 <p style="text-align: right; font-size: small;">SKIA5292E</p>
4	V	Combination switch input 3	Input	ON	Lighting, turn, wiper OFF Wiper dial position 4	 <p style="text-align: right; font-size: small;">SKIA5291E</p>
5	L	Combination switch input 2	Input	ON	Lighting, turn, wiper OFF Wiper dial position 4	 <p style="text-align: right; font-size: small;">SKIA5292E</p>
6	R	Combination switch input 1				
7	GR	Front door lock assembly LH (key cylinder switch) and back door key cylinder switch (unlock)	Input	OFF	ON (open, 2nd turn)	Momentary 1.5V
					OFF (closed)	0V
8	SB	Front door lock assembly LH (key cylinder switch) and back door key cylinder switch (lock)	Input	OFF	ON (open)	Momentary 1.5V
					OFF (closed)	0V
9	LG	Stop lamp switch	Input	OFF	Brake pedal depressed	Battery voltage
					Brake pedal released	0V
11	G/B	Ignition switch (ACC or ON)	Input	ACC or ON	Ignition switch ACC or ON	Battery voltage
12	LG	Front door switch RH	Input	OFF	ON (open)	0V
					OFF (closed)	Battery voltage
13	L	Rear door switch RH	Input	OFF	ON (open)	0V
					OFF (closed)	Battery voltage

# BCM (BODY CONTROL MODULE)

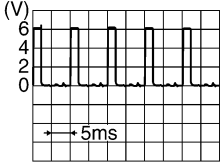
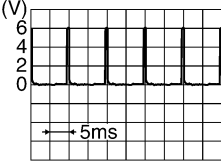
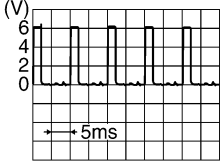
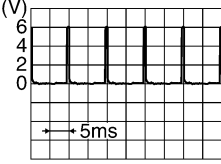
## < ECU DIAGNOSIS INFORMATION >

Terminal	Wire color	Signal name	Signal input/output	Measuring condition		Reference value or waveform (Approx.)
				Ignition switch	Operation or condition	
15	W	Tire pressure warning check connector	Input	OFF	—	5V
18	BR	Remote keyless entry receiver and optical sensor (ground)	Output	OFF	—	0V
19	V	Remote keyless entry receiver (power supply)	Output	OFF	Ignition switch OFF	
20	G	Remote keyless entry receiver (signal)	Input	OFF	Stand-by (keyfob buttons released)	
					When remote keyless entry receiver receives signal from keyfob (keyfob buttons pressed)	
21	GR	NATS antenna amp.	Input	OFF → ON	Ignition switch (OFF → ON)	Just after turning ignition switch ON: Pointer of tester should move for approx. 1 second, then return to battery voltage.
23	G	Security indicator lamp	Output	OFF	Goes OFF → illuminates (Every 2.4 seconds)	Battery voltage → 0V
25	BR	NATS antenna amp.	Input	OFF → ON	Ignition switch (OFF → ON)	Just after turning ignition switch ON: Pointer of tester should move for approx. 1 second, then return to battery voltage.
27	W	Compressor ON signal	Input	ON	A/C switch OFF	5V
					A/C switch ON	0V
28	R	Front blower monitor	Input	ON	Front blower motor OFF	Battery voltage
					Front blower motor ON	0V
29	G	Hazard switch	Input	OFF	ON	0V
					OFF	5V
31	R	Off-road lamps switch	Input	ON	ON	0V
					OFF	5V

A  
B  
C  
D  
E  
F  
G  
H  
I  
J  
K  
DEF  
M  
N  
O  
P

# BCM (BODY CONTROL MODULE)

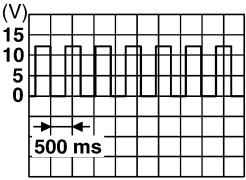
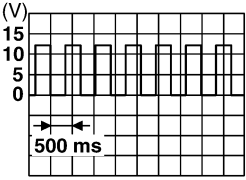
## < ECU DIAGNOSIS INFORMATION >

Terminal	Wire color	Signal name	Signal input/output	Measuring condition		Reference value or waveform (Approx.)
				Ignition switch	Operation or condition	
32	BG	Combination switch output 5	Output	ON	Lighting, turn, wiper OFF Wiper dial position 4	 SKIA5291E
33	GR	Combination switch output 4	Output	ON	Lighting, turn, wiper OFF Wiper dial position 4	 SKIA5292E
34	G	Combination switch output 3	Output	ON	Lighting, turn, wiper OFF Wiper dial position 4	 SKIA5291E
35	BR	Combination switch output 2	Output	ON	Lighting, turn, wiper OFF Wiper dial position 4	 SKIA5292E
36	LG	Combination switch output 1				
37	B	Key switch and key lock solenoid	Input	OFF	Key inserted	Battery voltage
					Key removed	0V
38	W/R	Ignition switch (ON)	Input	ON	—	Battery voltage
39	L	CAN high	—	—	—	—
40	P	CAN low	—	—	—	—
41	Y	Rear window defogger switch	Input	ON	Rear window defogger switch ON	0V
					Rear window defogger switch OFF	5V
42	L	Off-road lamps	Output	ON	Off-road lamps switch ON	0V
					Off-road lamps switch OFF	Battery voltage
43	Y	Back door switch	Input	OFF	ON (open)	0V
					OFF (closed)	Battery voltage



# BCM (BODY CONTROL MODULE)

## < ECU DIAGNOSIS INFORMATION >

Terminal	Wire color	Signal name	Signal input/output	Measuring condition		Reference value or waveform (Approx.)
				Ignition switch	Operation or condition	
44	BG	Rear wiper auto stop switch	Input	ON	Rise up position (rear wiper arm on stopper)	0V
					A Position (full clockwise stop position)	Battery voltage
					Forward sweep (counterclockwise direction)	Fluctuating
					B Position (full counterclockwise stop position)	0V
					Reverse sweep (clockwise direction)	Fluctuating
45	V	Lock switch	Input	OFF	ON (lock)	0V
					OFF	Battery voltage
46	LG	Unlock switch	Input	OFF	ON (unlock)	0V
					OFF	Battery voltage
47	GR	Front door switch LH	Input	OFF	ON (open)	0V
					OFF (closed)	Battery voltage
48	P	Rear door switch LH	Input	OFF	ON (open)	0V
					OFF (closed)	Battery voltage
49	L	Cargo lamp	Output	OFF	Any door open (ON)	0V
					All doors closed (OFF)	Battery voltage
50	W	Off-road lamps relay	Output	ON	Off-road lamps switch	ON
					OFF	Battery voltage
51	BG	Trailer turn signal (right)	Output	ON	Turn right ON	 <p style="text-align: right; font-size: small;">SKIA3009J</p>
52	LG	Trailer turn signal (left)	Output	ON	Turn left ON	 <p style="text-align: right; font-size: small;">SKIA3009J</p>
55	W	Rear wiper output circuit 1	Output	ON	OFF	0
					ON	Battery voltage
56	R/Y	Battery saver output	Output	OFF	10 minutes after ignition switch is turned OFF	0V
				ON	—	Battery voltage
57	R/Y	Battery power supply	Input	OFF	—	Battery voltage
58	W	Optical sensor	Input	ON	When optical sensor is illuminated	3.1V or more
					When optical sensor is not illuminated	0.6V or less

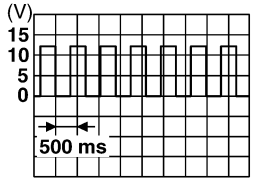
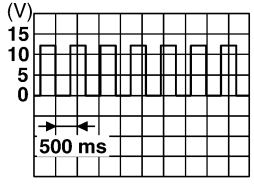
A  
B  
C  
D  
E  
F  
G  
H  
I  
J  
K

DEF

M  
N  
O  
P

# BCM (BODY CONTROL MODULE)

## < ECU DIAGNOSIS INFORMATION >

Terminal	Wire color	Signal name	Signal input/output	Measuring condition		Reference value or waveform (Approx.)
				Ignition switch	Operation or condition	
59	GR	Front door lock assembly LH actuator (unlock)	Output	OFF	OFF (neutral)	0V
					ON (unlock)	Battery voltage
60	LG	Turn signal (left)	Output	ON	Turn left ON	
61	G	Turn signal (right)	Output	ON	Turn right ON	
63	BR	Interior room/map lamp	Output	OFF	Any door switch ON (open)	0V
					OFF (closed)	Battery voltage
65	V	All door lock actuators (lock)	Output	OFF	OFF (neutral)	0V
					ON (lock)	Battery voltage
66	L	Front door lock actuator RH, rear door lock actuators LH/RH and back door lock actuator (unlock)	Output	OFF	OFF (neutral)	0V
					ON (unlock)	Battery voltage
67	B	Ground	Input	ON	—	0V
68	SB	Power window power supply (RAP)	Output	—	Ignition switch ON	Battery voltage
					Within 45 seconds after ignition switch OFF	Battery voltage
					More than 45 seconds after ignition switch OFF	0V
					When front door LH or RH is open or power window timer operates	0V
70	W	Battery power supply	Input	OFF	—	Battery voltage

# REAR WINDOW DEFOGGER

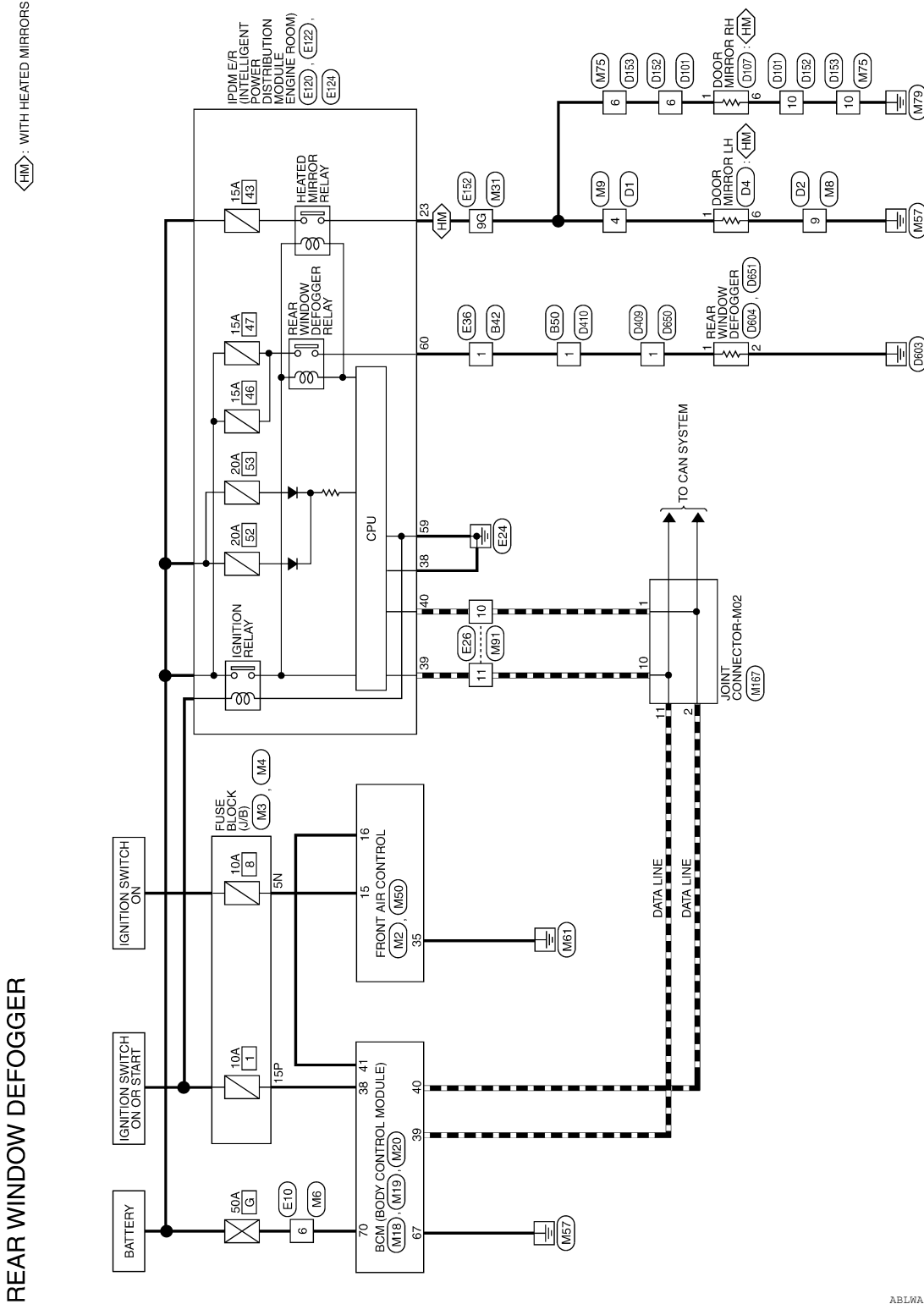
< WIRING DIAGRAM >

## WIRING DIAGRAM

### REAR WINDOW DEFOGGER

#### Wiring Diagram

INFOID:000000011070009



ABLWA2751GB

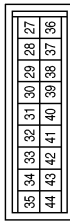
A  
B  
C  
D  
E  
F  
G  
H  
I  
J  
K  
DEF  
M  
N  
O  
P

# REAR WINDOW DEFOGGER

< WIRING DIAGRAM >

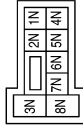
## REAR WINDOW DEFOGGER CONNECTORS

Connector No.	M2
Connector Name	FRONT AIR CONTROL
Connector Color	WHITE



Terminal No.	35	Color of Wire	B	Signal Name	GND
--------------	----	---------------	---	-------------	-----

Connector No.	M3
Connector Name	FUSE BLOCK (J/B)
Connector Color	WHITE



Terminal No.	5N	Color of Wire	W/G	Signal Name	-
--------------	----	---------------	-----	-------------	---

Connector No.	M4
Connector Name	FUSE BLOCK (J/B)
Connector Color	WHITE



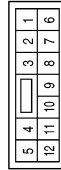
Terminal No.	15P	Color of Wire	W/R	Signal Name	-
--------------	-----	---------------	-----	-------------	---

Connector No.	M6
Connector Name	WIRE TO WIRE
Connector Color	WHITE



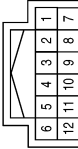
Terminal No.	6	Color of Wire	W	Signal Name	-
--------------	---	---------------	---	-------------	---

Connector No.	M8
Connector Name	WIRE TO WIRE
Connector Color	BROWN



Terminal No.	9	Color of Wire	B	Signal Name	-
--------------	---	---------------	---	-------------	---

Connector No.	M9
Connector Name	WIRE TO WIRE
Connector Color	WHITE



Terminal No.	4	Color of Wire	LG	Signal Name	-
--------------	---	---------------	----	-------------	---

# REAR WINDOW DEFOGGER

< WIRING DIAGRAM >

Connector No.	M20
Connector Name	BCM (BODY CONTROL MODULE)
Connector Color	BLACK

56	57	58	59	60	61	62	63	64
65	66	67	68	69	70			



Connector No.	M19
Connector Name	BCM (BODY CONTROL MODULE)
Connector Color	WHITE

41	42	43	44	45	46	47	48	49
50	51	52	53	54	55			



Connector No.	M18
Connector Name	BCM (BODY CONTROL MODULE)
Connector Color	WHITE



1	2	3	4	5	6	7	8	9	10	11	12	13	14	15	16	17	18	19	20
21	22	23	24	25	26	27	28	29	30	31	32	33	34	35	36	37	38	39	40

Terminal No.	Color of Wire	Signal Name
67	B	GND (POWER)
70	W	BAT (FL)

Terminal No.	Color of Wire	Signal Name
41	Y	REAR DEFOGGER SW

Terminal No.	Color of Wire	Signal Name
38	W/R	IGN SW
39	L	CAN-H
40	P	CAN-L

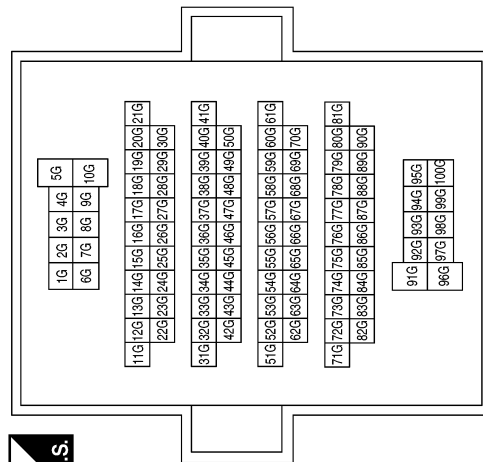
Connector No.	M50
Connector Name	FRONT AIR CONTROL
Connector Color	BLACK

13	12	11	10	9	8	7	6	5	4	3	2	1
26	25	24	23	22	21	20	19	18	17	16	15	14



Terminal No.	Color of Wire	Signal Name
9G	LG	-

Connector No.	M31
Connector Name	WIRE TO WIRE
Connector Color	WHITE



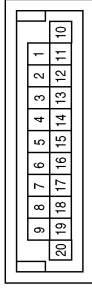
ABLIA6696GB

A  
B  
C  
D  
E  
F  
G  
H  
I  
J  
K  
DEF  
M  
N  
O  
P

# REAR WINDOW DEFOGGER

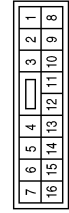
< WIRING DIAGRAM >

Connector No.	M167
Connector Name	JOINT CONNECTOR-M02
Connector Color	BLUE



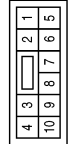
Terminal No.	Color of Wire	Signal Name
1	P	-
2	P	-
10	L	-
11	L	-

Connector No.	M91
Connector Name	WIRE TO WIRE
Connector Color	WHITE



Terminal No.	Color of Wire	Signal Name
10	P	-
11	L	-

Connector No.	M75
Connector Name	WIRE TO WIRE
Connector Color	WHITE



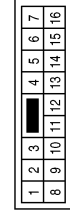
Terminal No.	Color of Wire	Signal Name
6	L	-
10	B	-

Connector No.	E36
Connector Name	WIRE TO WIRE
Connector Color	WHITE



Terminal No.	Color of Wire	Signal Name
1	GR	-

Connector No.	E26
Connector Name	WIRE TO WIRE
Connector Color	WHITE



Terminal No.	Color of Wire	Signal Name
10	P	-
11	L	-

Connector No.	E10
Connector Name	WIRE TO WIRE
Connector Color	WHITE



Terminal No.	Color of Wire	Signal Name
6	W	-

ABLIA6697GB

# REAR WINDOW DEFOGGER

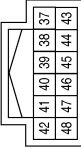
< WIRING DIAGRAM >

Connector No.	E124
Connector Name	IPDM E/R (INTELLIGENT POWER DISTRIBUTION MODULE ENGINE ROOM)
Connector Color	BLACK



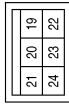
Terminal No.	Color of Wire	Signal Name
59	B	GND (POWER)
60	GR	RR DEF

Connector No.	E122
Connector Name	IPDM E/R (INTELLIGENT POWER DISTRIBUTION MODULE ENGINE ROOM)
Connector Color	WHITE



Terminal No.	Color of Wire	Signal Name
38	B	GND (SIGNAL)
39	L	CAN-H
40	P	CAN-L

Connector No.	E120
Connector Name	IPDM E/R (INTELLIGENT POWER DISTRIBUTION MODULE ENGINE ROOM)
Connector Color	WHITE



Terminal No.	Color of Wire	Signal Name
23	LG	HEATED MIRROR

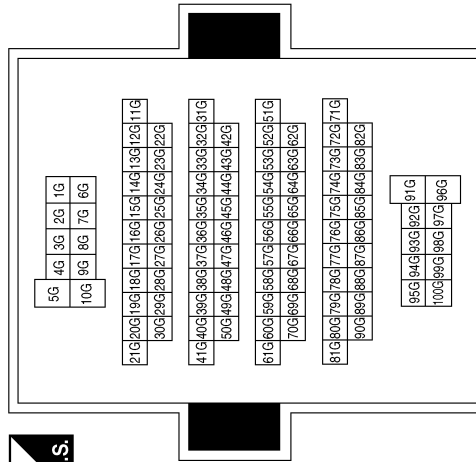
Connector No.	B42
Connector Name	WIRE TO WIRE
Connector Color	WHITE



Terminal No.	Color of Wire	Signal Name
1	GR	-

Terminal No.	9G
Color of Wire	LG
Signal Name	-

Connector No.	E152
Connector Name	WIRE TO WIRE
Connector Color	WHITE



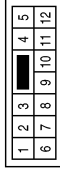
ABLIA5743GB

A  
B  
C  
D  
E  
F  
G  
H  
I  
J  
K  
DEF  
M  
N  
O  
P

# REAR WINDOW DEFOGGER

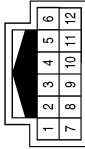
< WIRING DIAGRAM >

Connector No.	D2
Connector Name	WIRE TO WIRE
Connector Color	BROWN



Terminal No.	9	Color of Wire	B	Signal Name	-
--------------	---	---------------	---	-------------	---

Connector No.	D1
Connector Name	WIRE TO WIRE
Connector Color	WHITE



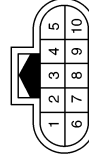
Terminal No.	4	Color of Wire	L/B	Signal Name	-
--------------	---	---------------	-----	-------------	---

Connector No.	B50
Connector Name	WIRE TO WIRE
Connector Color	WHITE



Terminal No.	1	Color of Wire	GR	Signal Name	-
--------------	---	---------------	----	-------------	---

Connector No.	D107
Connector Name	DOOR MIRROR RH (WITH HEATED MIRRORS)
Connector Color	BLACK



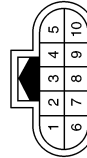
Terminal No.	1	Color of Wire	L/B	Signal Name	-
	6		B		-

Connector No.	D101
Connector Name	WIRE TO WIRE
Connector Color	WHITE



Terminal No.	6	Color of Wire	L/B	Signal Name	-
	10		B		-

Connector No.	D4
Connector Name	DOOR MIRROR LH (WITH HEATED MIRRORS)
Connector Color	BLACK



Terminal No.	1	Color of Wire	L/B	Signal Name	-
	6		B		-

ABLIA6698GB



# REAR WINDOW DEFOGGER

< WIRING DIAGRAM >

Connector No.	D409
Connector Name	WIRE TO WIRE
Connector Color	WHITE



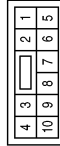
Terminal No.	Color of Wire	Signal Name
1	GR	-

Connector No.	D153
Connector Name	WIRE TO WIRE
Connector Color	WHITE



Terminal No.	Color of Wire	Signal Name
6	L	-
10	B	-

Connector No.	D152
Connector Name	WIRE TO WIRE
Connector Color	WHITE



Terminal No.	Color of Wire	Signal Name
6	L	-
10	B	-

Connector No.	D650
Connector Name	WIRE TO WIRE
Connector Color	WHITE



Terminal No.	Color of Wire	Signal Name
1	GR	-

Connector No.	D604
Connector Name	REAR WINDOW DEFOGGER
Connector Color	BLACK



Terminal No.	Color of Wire	Signal Name
2	B	-

Connector No.	D410
Connector Name	WIRE TO WIRE
Connector Color	WHITE



Terminal No.	Color of Wire	Signal Name
1	GR	-

ABLIA6699GB

A  
B  
C  
D  
E  
F  
G  
H  
I  
J  
K  
DEF  
M  
N  
O  
P

# REAR WINDOW DEFOGGER

< WIRING DIAGRAM >

---

Connector No.	D651
Connector Name	REAR WINDOW DEFOGGER
Connector Color	BLACK



Terminal No.	Color of Wire	Signal Name
1	GR	-

ABLIA5746GB

# REAR WINDOW DEFOGGER AND DOOR MIRROR DEFOGGER DO NOT OPERATE.

< SYMPTOM DIAGNOSIS >

## SYMPTOM DIAGNOSIS

REAR WINDOW DEFOGGER AND DOOR MIRROR DEFOGGER DO NOT OPERATE.

### Diagnosis Procedure

INFOID:0000000011070010

#### 1. CHECK REAR WINDOW DEFOGGER SWITCH

Check rear window defogger switch.

Refer to [DEF-8, "Component Function Check"](#).

Is the inspection result normal?

YES >> GO TO 2.

NO >> Repair or replace the malfunctioning parts.

#### 2. CHECK REAR WINDOW DEFOGGER RELAY

Check rear window defogger relay.

Refer to [DEF-9, "Component Function Check"](#).

Is the inspection result normal?

YES >> GO TO 3.

NO >> Repair or replace the malfunctioning parts.

#### 3. CHECK REAR WINDOW DEFOGGER POWER SUPPLY AND GROUND CIRCUIT

Check rear window defogger power supply and ground circuit.

Refer to [DEF-10, "Component Function Check"](#).

Is the inspection result normal?

YES >> GO TO 4.

NO >> Repair or replace the malfunctioning parts.

#### 4. CHECK BOTH DOOR MIRROR DEFOGGER

1. Check door mirror LH. Refer to [DEF-12, "Component Function Check"](#).

2. Check door mirror RH. Refer to [DEF-15, "Component Function Check"](#).

Is the inspection result normal?

YES >> Check intermittent incident. Refer to [GI-41, "Intermittent Incident"](#).

NO >> Repair or replace the malfunctioning parts.

A  
B  
C  
D  
E  
F  
G  
H  
I  
J  
K  
M  
N  
O  
P

DEF

# REAR WINDOW DEFOGGER DOES NOT OPERATE BUT BOTH OF DOOR MIRROR DEFOGGER OPERATE.

< SYMPTOM DIAGNOSIS >

---

REAR WINDOW DEFOGGER DOES NOT OPERATE BUT BOTH OF DOOR MIRROR DEFOGGER OPERATE.

## Diagnosis Procedure

INFOID:000000011070011

### 1. CHECK REAR WINDOW DEFOGGER POWER SUPPLY AND GROUND CIRCUIT

---

Check rear window defogger power supply and ground circuit.

Refer to [DEF-10, "Component Function Check"](#).

Is the inspection result normal?

YES >> Check for intermittent incident. Refer to [GI-41, "Intermittent Incident"](#).

NO >> Repair or replace the malfunctioning parts.

# BOTH DOORS MIRROR DEFOGGER DON'T OPERATE BUT REAR WINDOW DEFOGGER OPERATES

< SYMPTOM DIAGNOSIS >

## BOTH DOORS MIRROR DEFOGGER DON'T OPERATE BUT REAR WINDOW DEFOGGER OPERATES

### Diagnosis Procedure

INFOID:0000000011070012

#### 1. CHECK BOTH DOOR MIRROR DEFOGGER

1. Check door mirror LH. Refer to [DEF-12, "Component Function Check"](#).
2. Check door mirror RH. Refer to [DEF-15, "Component Function Check"](#).

Is the inspection result normal?

- YES >> Check intermittent incident. Refer to [GI-41, "Intermittent Incident"](#).  
NO >> Repair or replace the malfunctioning parts.

A  
B  
C  
D  
E  
F  
G  
H  
I  
J  
K  
DEF  
M  
N  
O  
P

## DRIVER SIDE DOOR MIRROR DEFOGGER DOES NOT OPERATE.

< SYMPTOM DIAGNOSIS >

---

## DRIVER SIDE DOOR MIRROR DEFOGGER DOES NOT OPERATE.

### Diagnosis Procedure

INFOID:000000011070013

#### 1. CHECK DOOR MIRROR DEFOGGER LH

---

Check door mirror defogger LH.

Refer to [DEF-12, "Component Function Check"](#).

Is the inspection result normal?

YES >> Check for intermittent incident. Refer to [GI-41, "Intermittent Incident"](#).

NO >> Repair or replace the malfunctioning parts.

# PASSENGER SIDE DOOR MIRROR DEFOGGER DOES NOT OPERATE.

< SYMPTOM DIAGNOSIS >

---

## PASSENGER SIDE DOOR MIRROR DEFOGGER DOES NOT OPERATE.

### Diagnosis Procedure

INFOID:000000011070014

#### 1. CHECK DOOR MIRROR DEFOGGER RH

---

Check door mirror defogger RH.

Refer to [DEF-15, "Component Function Check"](#).

Is the inspection result normal?

YES >> Check for intermittent incident. Refer to [GI-41, "Intermittent Incident"](#).

NO >> Repair or replace the malfunctioning parts.

A  
B  
C  
D  
E  
F  
G  
H  
I  
J  
K  
DEF  
M  
N  
O  
P

# REAR WINDOW DEFOGGER SWITCH DOES NOT LIGHT, BUT REAR WINDOW DEFOGGER OPERATES

< SYMPTOM DIAGNOSIS >

---

## REAR WINDOW DEFOGGER SWITCH DOES NOT LIGHT, BUT REAR WINDOW DEFOGGER OPERATES

### Diagnosis Procedure

INFOID:000000011070015

#### 1. CHECK REAR WINDOW DEFOGGER SWITCH

---

Check that the rear window defogger switch is operating normally.

Is the inspection result normal?

- YES >> Check for intermittent incident. Refer to [GI-41, "Intermittent Incident"](#).
- NO >> Check rear window defogger switch. Refer to [DEF-8, "Diagnosis Procedure"](#).



# PRECAUTIONS

< PRECAUTION >

## PRECAUTION

### PRECAUTIONS

#### Precaution for Supplemental Restraint System (SRS) "AIR BAG" and "SEAT BELT PRE-TENSIONER"

INFOID:000000011070016

The Supplemental Restraint System such as "AIR BAG" and "SEAT BELT PRE-TENSIONER", used along with a front seat belt, helps to reduce the risk or severity of injury to the driver and front passenger for certain types of collision. This system includes seat belt switch inputs and dual stage front air bag modules. The SRS system uses the seat belt switches to determine the front air bag deployment, and may only deploy one front air bag, depending on the severity of a collision and whether the front occupants are belted or unbelted. Information necessary to service the system safely is included in the SR and SB section of this Service Manual.

#### **WARNING:**

- To avoid rendering the SRS inoperative, which could increase the risk of personal injury or death in the event of a collision which would result in air bag inflation, all maintenance must be performed by an authorized NISSAN/INFINITI dealer.
- Improper maintenance, including incorrect removal and installation of the SRS, can lead to personal injury caused by unintentional activation of the system. For removal of Spiral Cable and Air Bag Module, see the SR section.
- Do not use electrical test equipment on any circuit related to the SRS unless instructed to in this Service Manual. SRS wiring harnesses can be identified by yellow and/or orange harnesses or harness connectors.

#### PRECAUTIONS WHEN USING POWER TOOLS (AIR OR ELECTRIC) AND HAMMERS

#### **WARNING:**

- When working near the Airbag Diagnosis Sensor Unit or other Airbag System sensors with the Ignition ON or engine running, DO NOT use air or electric power tools or strike near the sensor(s) with a hammer. Heavy vibration could activate the sensor(s) and deploy the air bag(s), possibly causing serious injury.
- When using air or electric power tools or hammers, always switch the Ignition OFF, disconnect the battery and wait at least three minutes before performing any service.

#### Handling for Adhesive and Primer

INFOID:000000011070017

- Do not use an adhesive which is past its usable date. Shelf life of this product is limited to six months after the date of manufacture. Carefully adhere to the expiration or manufacture date printed on the box.
- Keep primers and adhesive in a cool, dry place. Ideally, they should be stored in a refrigerator.
- Open the seal of the primer and adhesive just before application. Discard the remainder.
- Before application, be sure to shake the primer container to stir the contents. If any floating material is found, do not use it.
- If any primer or adhesive contacts the skin, wipe it off with gasoline or equivalent and wash the skin with soap.
- When using primer and adhesive, always observe the precautions in the instruction manual.

A  
B  
C  
D  
E  
F  
G  
H  
I  
J  
K  
DEF  
M  
N  
O  
P

# REAR WINDOW DEFOGGER

< REMOVAL AND INSTALLATION >

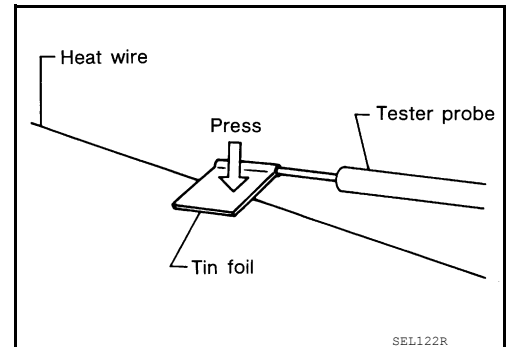
## REMOVAL AND INSTALLATION

### REAR WINDOW DEFOGGER

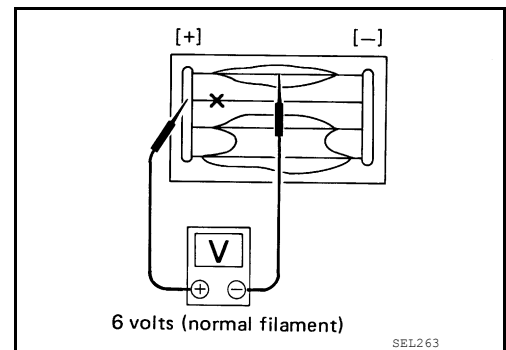
#### Filament Check

INFOID:000000011070018

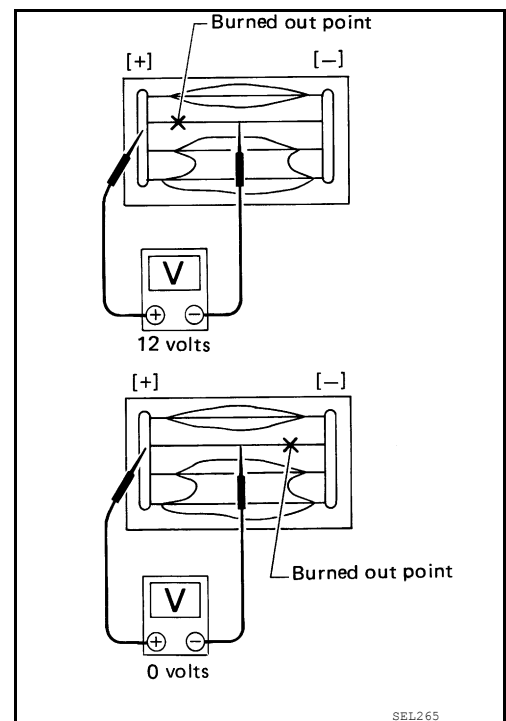
1. When measuring voltage, wrap tin foil around the top of the negative probe. Then press the foil against the wire with your finger.



2. Attach probe circuit tester (in Volt range) to middle portion of each filament.



3. If a filament is burned out, circuit tester registers 0 or battery voltage.
4. To locate burned out point, move probe to left and right along filament. Test needle will swing abruptly when probe passes the point.



#### Filament Repair

INFOID:000000011070019

#### REPAIR EQUIPMENT

- Conductive silver composition (DuPont No. 4817 or equivalent)
- Ruler 30 cm (11.8 in) long

# REAR WINDOW DEFOGGER

## < REMOVAL AND INSTALLATION >

- Drawing pen
- Heat gun
- Alcohol
- Cloth

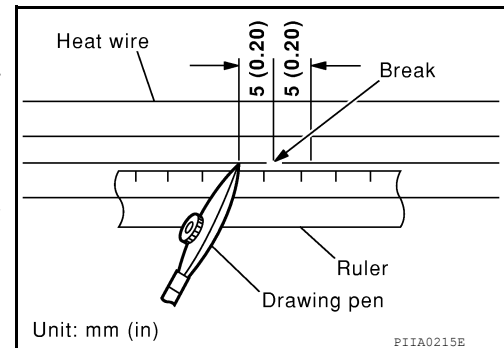
### REPAIRING PROCEDURE

1. Wipe broken heat wire and its surrounding area clean with a cloth dampened in alcohol.
2. Apply a small amount of conductive silver composition to tip of drawing pen.

**NOTE:**

Shake silver composition container before use.

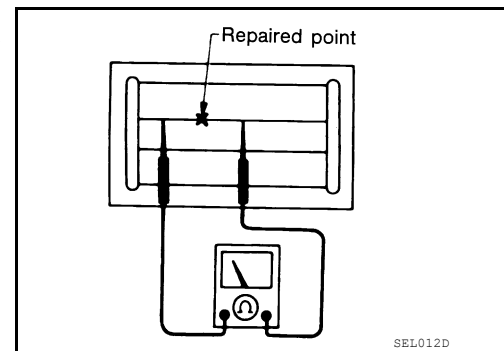
3. Place ruler on glass along broken line. Deposit conductive silver composition on break with drawing pen. Slightly overlap existing heat wire on both sides [preferably 5 mm (0.20 in)] of the break.



4. After repair has been completed, check repaired wire for continuity. This check should be conducted 10 minutes after silver composition is deposited.

**CAUTION:**

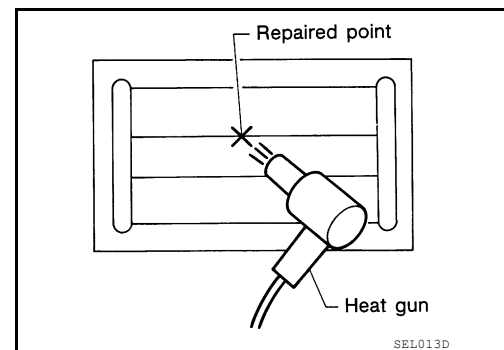
Do not touch repaired area while test is being conducted.



5. Apply a constant stream of hot air directly to the repaired area for approximately 20 minutes with a heat gun. A minimum distance of 3 cm (1.2 in) should be kept between repaired area and hot air outlet.

**NOTE:**

If a heat gun is not available, let the repaired area dry for 24 hours.



A  
B  
C  
D  
E  
F  
G  
H  
I  
J  
K  
DEF  
M  
N  
O  
P