

SECTION **INT**  
INTERIOR

A  
B  
C  
D  
E  
F  
G  
H  
I  
INT  
K  
L  
M  
N  
O  
P

CONTENTS

<b>PRECAUTION</b> .....	2	Diagnostic Worksheet .....	12
<b>PRECAUTIONS</b> .....	2	<b>REMOVAL AND INSTALLATION</b> .....	14
Precaution for Supplemental Restraint System (SRS) "AIR BAG" and "SEAT BELT PRE-TENSIONER" .....	2	<b>DOOR FINISHER</b> .....	14
Precaution for Work .....	2	Removal and Installation .....	14
<b>PREPARATION</b> .....	3	<b>BODY SIDE TRIM</b> .....	17
<b>PREPARATION</b> .....	3	Component .....	17
Special Service Tool .....	3	Removal and Installation .....	18
Commercial Service Tool .....	3	<b>FLOOR TRIM</b> .....	19
<b>CLIP LIST</b> .....	4	Removal and Installation .....	19
Descriptions for Clips .....	4	<b>HEADLINING</b> .....	21
<b>SYMPTOM DIAGNOSIS</b> .....	8	Removal and Installation .....	21
<b>SQUEAK AND RATTLE TROUBLE DIAGNOSES</b> .....	8	<b>LUGGAGE FLOOR TRIM</b> .....	23
Work Flow .....	8	Component .....	23
Generic Squeak and Rattle Troubleshooting .....	9	Removal and Installation .....	24
		<b>BACK DOOR TRIM</b> .....	26
		Removal and Installation .....	26

# PRECAUTIONS

< PRECAUTION >

## PRECAUTION

### PRECAUTIONS

#### Precaution for Supplemental Restraint System (SRS) "AIR BAG" and "SEAT BELT PRE-TENSIONER"

INFOID:000000011070833

The Supplemental Restraint System such as "AIR BAG" and "SEAT BELT PRE-TENSIONER", used along with a front seat belt, helps to reduce the risk or severity of injury to the driver and front passenger for certain types of collision. This system includes seat belt switch inputs and dual stage front air bag modules. The SRS system uses the seat belt switches to determine the front air bag deployment, and may only deploy one front air bag, depending on the severity of a collision and whether the front occupants are belted or unbelted. Information necessary to service the system safely is included in the SR and SB section of this Service Manual.

#### **WARNING:**

- To avoid rendering the SRS inoperative, which could increase the risk of personal injury or death in the event of a collision which would result in air bag inflation, all maintenance must be performed by an authorized NISSAN/INFINITI dealer.
- Improper maintenance, including incorrect removal and installation of the SRS, can lead to personal injury caused by unintentional activation of the system. For removal of Spiral Cable and Air Bag Module, see the SR section.
- Do not use electrical test equipment on any circuit related to the SRS unless instructed to in this Service Manual. SRS wiring harnesses can be identified by yellow and/or orange harnesses or harness connectors.

#### PRECAUTIONS WHEN USING POWER TOOLS (AIR OR ELECTRIC) AND HAMMERS

#### **WARNING:**

- When working near the Airbag Diagnosis Sensor Unit or other Airbag System sensors with the Ignition ON or engine running, DO NOT use air or electric power tools or strike near the sensor(s) with a hammer. Heavy vibration could activate the sensor(s) and deploy the air bag(s), possibly causing serious injury.
- When using air or electric power tools or hammers, always switch the Ignition OFF, disconnect the battery and wait at least three minutes before performing any service.

#### Precaution for Work

INFOID:000000011070834

- When removing or disassembling each component, be careful not to damage or deform it. If a component may be subject to interference, be sure to protect it with a shop cloth.
- When removing (disengaging) components with a screwdriver or similar tool, be sure to wrap the component with a shop cloth or vinyl tape to protect it.
- Protect the removed parts with a shop cloth and prevent them from being dropped.
- Replace a deformed or damaged clip.
- If a part is specified as a non-reusable part, always replace it with a new one.
- Be sure to tighten bolts and nuts securely to the specified torque.
- After installation is complete, be sure to check that each part works properly.
- Follow the steps below to clean components:
  - Water soluble dirt:
    - Dip a soft cloth into lukewarm water, wring the water out of the cloth and wipe the dirty area.
    - Then rub with a soft, dry cloth.
  - Oily dirt:
    - Dip a soft cloth into lukewarm water with mild detergent (concentration: within 2 to 3%) and wipe the dirty area.
    - Then dip a cloth into fresh water, wring the water out of the cloth and wipe the detergent off.
    - Then rub with a soft, dry cloth.
  - Do not use organic solvent such as thinner, benzene, alcohol or gasoline.
  - For genuine leather seats, use a genuine leather seat cleaner.

# PREPARATION

< PREPARATION >

## PREPARATION

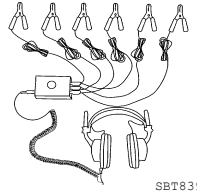
### PREPARATION

#### Special Service Tool

INFOID:000000011070835

The actual shape of the tools may differ from those illustrated here.

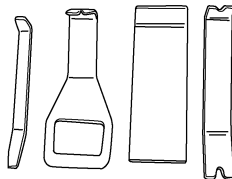
Tool number (TechMate No.) Tool name	Description
— (J-39570) Chassis Ear	Locating the noise
— (J-50397) NISSAN Squeak and Rattle kit	Repairing the cause of noise
— (J-46534) Trim Tool Set	Removing trim components



SBT839



ALJIA12322Z

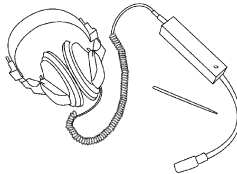


ANJIA04832Z

#### Commercial Service Tool

INFOID:000000011070836

(TechMate No.) Tool name	Description
(J-39565) Engine Ear	Locating the noise



SIIA0995E

A  
B  
C  
D  
E  
F  
G  
H  
I  
INT  
K  
L  
M  
N  
O  
P

# CLIP LIST


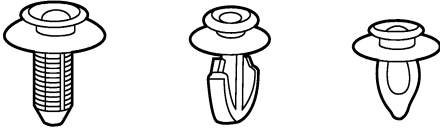


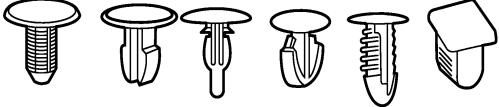
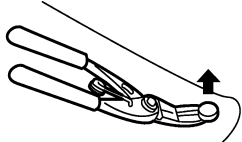

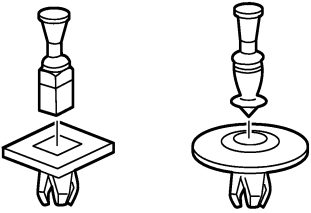
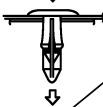
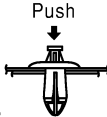

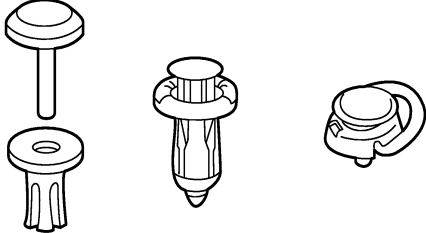
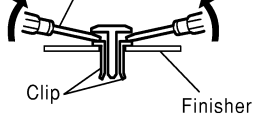

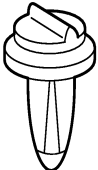
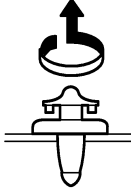
< PREPARATION >

## CLIP LIST

Descriptions for Clips

INFOID:000000011070837


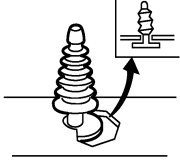
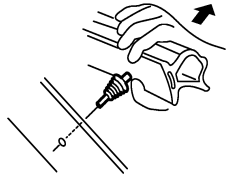

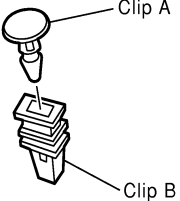
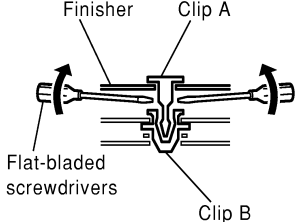

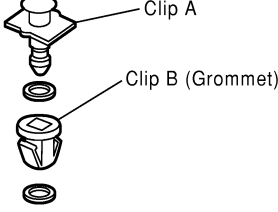
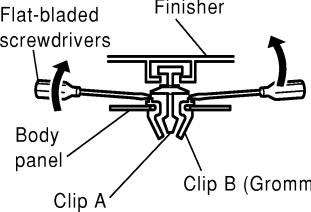
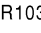

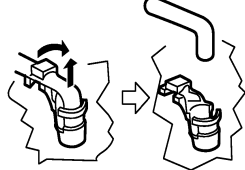

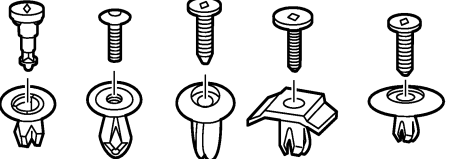

Replace any clips which are damaged during removal or installation.

Symbol No.	Shapes	Removal & Installation
<p>C101</p> 		<p><b>Removal:</b> Remove by bending up with flat-bladed screwdrivers or clip remover.</p> 
<p>C103</p> 		 <p><b>Removal:</b> Remove with a clip remover.</p>
<p>C203</p> 		<p><b>Removal:</b> Push center pin to catching position. (Do not remove center pin by hitting it.)</p> <p>Push</p>  <p><b>Installation:</b></p> 
<p>C205</p> 		<p><b>Removal:</b></p> 
<p>C206</p> 		<p><b>Removal:</b></p> 

S1IA0315E

# CLIP LIST

## < PREPARATION >


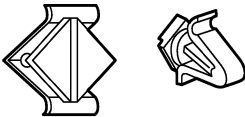
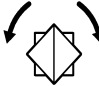
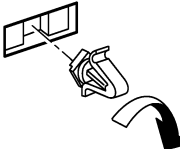

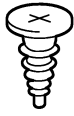



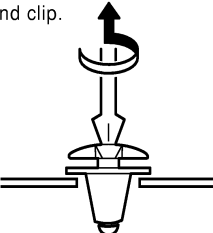


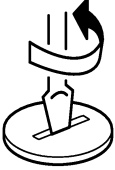
Symbol No.	Shapes	Removal & Installation
<p>CE103</p> 		<p><b>Removal:</b></p> 
<p>CF110</p> 		<p><b>Removal:</b></p> 
<p>CF118</p> 		<p><b>Removal:</b></p> 
<p>CR103</p> 		<p><b>Removal:</b> Holder portion of clip must be spread out to remove rod.</p> 
<p>CS101</p> 		<p><b>Removal:</b></p> <ol style="list-style-type: none"> <li>1. Screw out with a Phillips screwdriver.</li> <li>2. Remove female portion with flat-bladed screwdriver.</li> </ol> 

SIIA0316E

A  
B  
C  
D  
E  
F  
G  
H  
I  
INT  
K  
L  
M  
N  
O  
P

# CLIP LIST


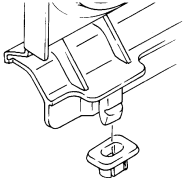
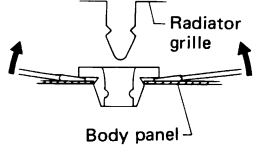

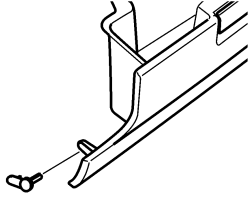
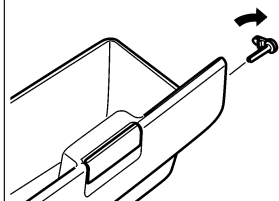
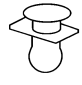
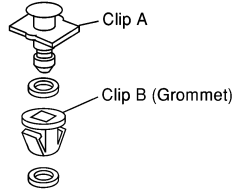
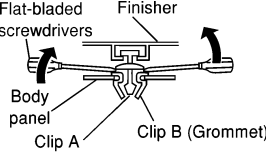
## < PREPARATION >

Symbol No.	Shapes	Removal & Installation	
CG101 		<b>Removal:</b>  Rotate 45° to remove	<b>Installation:</b> 
CS102 			
CS113 		<b>Removal:</b> Disconnect upper connection of clip with a flat-bladed screwdriver, then remove clip while inserting a flat-bladed screwdriver between body panel and clip. 	
C111 			

S1IA0317E

# CLIP LIST

< PREPARATION >

Symbol No.	Shapes	Removal & Installation
<p>CG104</p> 		<p><b>Removal:</b> Remove by bending up with flat-bladed screwdrivers.</p> 
<p>CE114</p> 		
<p>CF118</p> 		<p><b>Removal:</b> Flat-bladed screwdrivers</p> 

ALJIA0564GB

A  
B  
C  
D  
E  
F  
G  
H  
I

INT

K  
L  
M  
N  
O  
P

# SQUEAK AND RATTLE TROUBLE DIAGNOSES

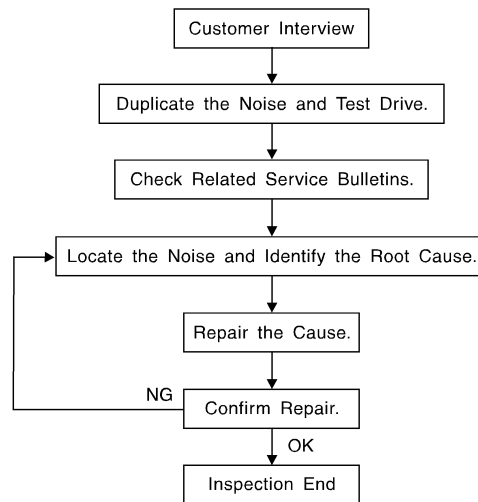
< SYMPTOM DIAGNOSIS >

## SYMPTOM DIAGNOSIS

### SQUEAK AND RATTLE TROUBLE DIAGNOSES

#### Work Flow

INFOID:0000000011070838



SBT842

#### CUSTOMER INTERVIEW

Interview the customer if possible, to determine the conditions that exist when the noise occurs. Use the Diagnostic Worksheet during the interview to document the facts and conditions when the noise occurs and any customer's comments; refer to [INT-12. "Diagnostic Worksheet"](#). This information is necessary to duplicate the conditions that exist when the noise occurs.

- The customer may not be able to provide a detailed description or the location of the noise. Attempt to obtain all the facts and conditions that exist when the noise occurs (or does not occur).
- If there is more than one noise in the vehicle, be sure to diagnose and repair the noise that the customer is concerned about. This can be accomplished by test driving the vehicle with the customer.
- After identifying the type of noise, isolate the noise in terms of its characteristics. The noise characteristics are provided so the customer, service adviser and technician are all speaking the same language when defining the noise.
- Squeak —(Like tennis shoes on a clean floor)  
Squeak characteristics include the light contact/fast movement/brought on by road conditions/hard surfaces = higher pitch noise/softer surfaces = lower pitch noises/edge to surface = chirping.
- Creak—(Like walking on an old wooden floor)  
Creak characteristics include firm contact/slow movement/twisting with a rotational movement/pitch dependent on materials/often brought on by activity.
- Rattle—(Like shaking a baby rattle)  
Rattle characteristics include the fast repeated contact/vibration or similar movement/loose parts/missing clip or fastener/incorrect clearance.
- Knock —(Like a knock on a door)  
Knock characteristics include hollow sounding/sometimes repeating/often brought on by driver action.
- Tick—(Like a clock second hand)  
Tick characteristics include gentle contacting of light materials/loose components/can be caused by driver action or road conditions.
- Thump—(Heavy, muffled knock noise)  
Thump characteristics include softer knock/dead sound often brought on by activity.
- Buzz—(Like a bumble bee)  
Buzz characteristics include high frequency rattle/firm contact.
- Often the degree of acceptable noise level will vary depending upon the person. A noise that you may judge as acceptable may be very irritating to the customer.
- Weather conditions, especially humidity and temperature, may have a great effect on noise level.

#### DUPLICATE THE NOISE AND TEST DRIVE



# SQUEAK AND RATTLE TROUBLE DIAGNOSES

## < SYMPTOM DIAGNOSIS >

If possible, drive the vehicle with the customer until the noise is duplicated. Note any additional information on the Diagnostic Worksheet regarding the conditions or location of the noise. This information can be used to duplicate the same conditions when you confirm the repair.

If the noise can be duplicated easily during the test drive, to help identify the source of the noise, try to duplicate the noise with the vehicle stopped by doing one or all of the following:

- 1) Close a door.
  - 2) Tap or push/pull around the area where the noise appears to be coming from.
  - 3) Rev the engine.
  - 4) Use a floor jack to recreate vehicle "twist".
  - 5) At idle, apply engine load (electrical load, half-clutch on M/T model, drive position on CVT and A/T models).
  - 6) Raise the vehicle on a hoist and hit a tire with a rubber hammer.
- Drive the vehicle and attempt to duplicate the conditions the customer states exist when the noise occurs.
  - If it is difficult to duplicate the noise, drive the vehicle slowly on an undulating or rough road to stress the vehicle body.

## CHECK RELATED SERVICE BULLETINS

After verifying the customer concern or symptom, check ASIST for Technical Service Bulletins (TSBs) related to that concern or symptom.

If a TSB relates to the symptom, follow the procedure to repair the noise.

## LOCATE THE NOISE AND IDENTIFY THE ROOT CAUSE

1. Narrow down the noise to a general area. To help pinpoint the source of the noise, use a listening tool (Chassis Ear: J-39570, Engine Ear: J-39565 and mechanic's stethoscope).
2. Narrow down the noise to a more specific area and identify the cause of the noise by:
  - removing the components in the area that you suspect the noise is coming from.  
Do not use too much force when removing clips and fasteners, otherwise clips and fasteners can be broken or lost during the repair, resulting in the creation of new noise.
  - tapping or pushing/pulling the component that you suspect is causing the noise.  
Do not tap or push/pull the component with excessive force, otherwise the noise will be eliminated only temporarily.
  - feeling for a vibration with your hand by touching the component(s) that you suspect is (are) causing the noise.
  - placing a piece of paper between components that you suspect are causing the noise.
  - looking for loose components and contact marks.Refer to [INT-9, "Generic Squeak and Rattle Troubleshooting"](#).

## REPAIR THE CAUSE

- If the cause is a loose component, tighten the component securely.
- If the cause is insufficient clearance between components:
  - separate components by repositioning or loosening and retightening the component, if possible.
  - insulate components with a suitable insulator such as urethane pads, foam blocks, felt cloth tape or urethane tape. A NISSAN Squeak and Rattle Kit (J-50397) is available through your authorized NISSAN Parts Department.

### CAUTION:

**Do not use excessive force as many components are constructed of plastic and may be damaged.**

### NOTE:

- Always check with the Parts Department for the latest parts information.
- The materials contained in the NISSAN Squeak and Rattle Kit (J-50397) are listed on the inside cover of the kit; and can each be ordered separately as needed.
- The following materials not found in the kit can also be used to repair squeaks and rattles.
  - SILICONE GREASE: Use instead of UHMW tape that will be visible or does not fit. The silicone grease will only last a few months.
  - SILICONE SPRAY: Use when grease cannot be applied.
  - DUCT TAPE: Use to eliminate movement.

## CONFIRM THE REPAIR

Confirm that the cause of a noise is repaired by test driving the vehicle. Operate the vehicle under the same conditions as when the noise originally occurred. Refer to the notes on the Diagnostic Worksheet.

## Generic Squeak and Rattle Troubleshooting

INFOID:000000011070839

Refer to Table of Contents for specific component removal and installation information.

# SQUEAK AND RATTLE TROUBLE DIAGNOSES

## < SYMPTOM DIAGNOSIS >

---

### INSTRUMENT PANEL

Most incidents are caused by contact and movement between:

1. Cluster lid A and the instrument panel
2. Acrylic lens and combination meter housing
3. Instrument panel to front pillar finisher
4. Instrument panel to windshield
5. Instrument panel pins
6. Wiring harnesses behind the combination meter
7. A/C defroster duct and duct joint

These incidents can usually be located by tapping or moving the components to duplicate the noise or by pressing on the components while driving to stop the noise. Most of these incidents can be repaired by applying felt cloth tape or silicone spray (in hard to reach areas). Urethane pads can be used to insulate wiring harness.

#### **CAUTION:**

**Do not use silicone spray to isolate a squeak or rattle. If you saturate the area with silicone, you will not be able to recheck the repair.**

### CENTER CONSOLE

Components to pay attention to include:

1. Shift selector assembly cover to finisher
2. A/C control unit and cluster lid C
3. Wiring harnesses behind audio and A/C control unit

The instrument panel repair and isolation procedures also apply to the center console.

### DOORS

Pay attention to the:

1. Finisher and inner panel making a slapping noise
2. Inside handle escutcheon to door finisher
3. Wiring harnesses tapping
4. Door striker out of alignment causing a popping noise on starts and stops

Tapping or moving the components or pressing on them while driving to duplicate the conditions can isolate many of these incidents. You can usually insulate the areas with felt cloth tape or insulator foam blocks from the NISSAN Squeak and Rattle Kit (J-50397) to repair the noise.

### TRUNK

Trunk noises are often caused by a loose jack or loose items put into the trunk by the owner.

In addition look for:

1. Trunk lid bumpers out of adjustment
2. Trunk lid striker out of adjustment
3. The trunk lid torsion bars knocking together
4. A loose license plate or bracket

Most of these incidents can be repaired by adjusting, securing or insulating the item(s) or component(s) causing the noise.

### SUNROOF/HEADLINING

Noises in the sunroof/headlining area can often be traced to one of the following:

1. Sunroof lid, rail, linkage or seals making a rattle or light knocking noise
2. Sun visor shaft shaking in the holder
3. Front or rear windshield touching headlining and squeaking

Again, pressing on the components to stop the noise while duplicating the conditions can isolate most of these incidents. Repairs usually consist of insulating with felt cloth tape.

### OVERHEAD CONSOLE (FRONT AND REAR)

Overhead console noises are often caused by the console panel clips not being engaged correctly. Most of these incidents are repaired by pushing up on the console at the clip locations until the clips engage.

In addition look for:

# SQUEAK AND RATTLE TROUBLE DIAGNOSES

## < SYMPTOM DIAGNOSIS >

---

1. Loose harness or harness connectors.
2. Front console map/reading lamp lens loose.
3. Loose screws at console attachment points.

A

## SEATS

When isolating seat noise it's important to note the position the seat is in and the load placed on the seat when the noise is present. These conditions should be duplicated when verifying and isolating the cause of the noise.

B

Cause of seat noise include:

C

1. Headrest rods and holder
2. A squeak between the seat pad cushion and frame
3. The rear seatback lock and bracket

D

These noises can be isolated by moving or pressing on the suspected components while duplicating the conditions under which the noise occurs. Most of these incidents can be repaired by repositioning the component or applying urethane tape to the contact area.

E

## UNDERHOOD

Some interior noise may be caused by components under the hood or on the engine wall. The noise is then transmitted into the passenger compartment.

F

Causes of transmitted underhood noise include:

1. Any component installed to the engine wall
2. Components that pass through the engine wall
3. Engine wall mounts and connectors
4. Loose radiator installation pins
5. Hood bumpers out of adjustment
6. Hood striker out of adjustment

G

H

These noises can be difficult to isolate since they cannot be reached from the interior of the vehicle. The best method is to secure, move or insulate one component at a time and test drive the vehicle. Also, engine rpm or load can be changed to isolate the noise. Repairs can usually be made by moving, adjusting, securing, or insulating the component causing the noise.

I

INT

K

L

M

N

O

P

# SQUEAK AND RATTLE TROUBLE DIAGNOSES

< SYMPTOM DIAGNOSIS >

## Diagnostic Worksheet

INFOID:000000011070840

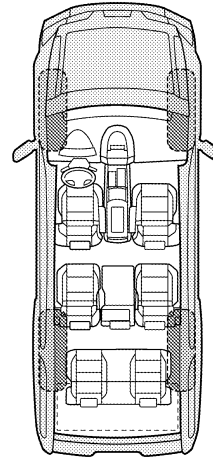
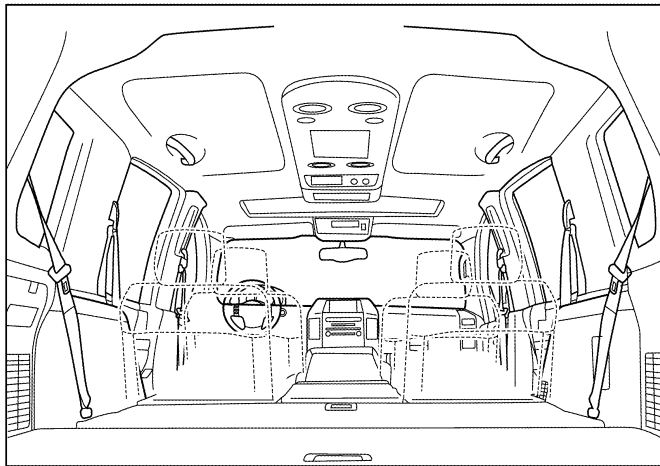
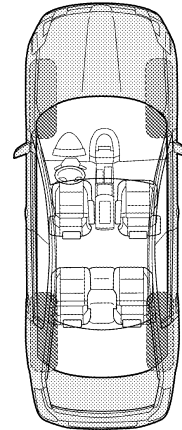
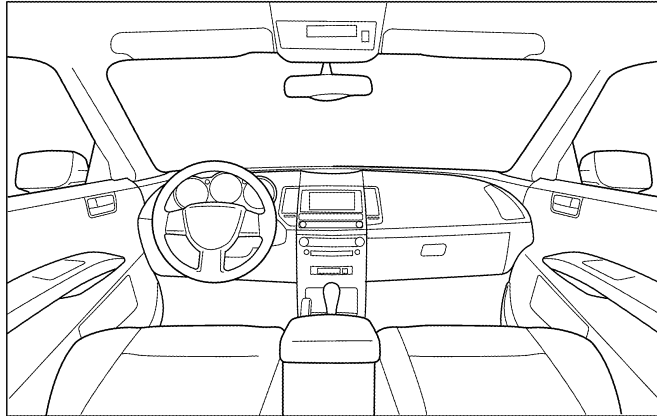
Dear Customer:

We are concerned about your satisfaction with your vehicle. Repairing a squeak or rattle sometimes can be very difficult. To help us fix your vehicle right the first time, please take a moment to note the area of the vehicle where the squeak or rattle occurs and under what conditions. You may be asked to take a test drive with a service advisor or technician to ensure we confirm the noise you are hearing.

### SQUEAK & RATTLE DIAGNOSTIC WORKSHEET

#### I. WHERE DOES THE NOISE COME FROM? (circle the area of the vehicle)

The illustrations are for reference only, and may not reflect the actual configuration of your vehicle.



Continue to page 2 of the worksheet and briefly describe the location of the noise or rattle. In addition, please indicate the conditions which are present when the noise occurs.

# SQUEAK AND RATTLE TROUBLE DIAGNOSES

< SYMPTOM DIAGNOSIS >

## SQUEAK & RATTLE DIAGNOSTIC WORKSHEET - page 2

Briefly describe the location where the noise occurs:

---

---

### II. WHEN DOES IT OCCUR? (please check the boxes that apply)

- |   |  |
|---|--|
| <input type="checkbox"/> Anytime                      | <input type="checkbox"/> After sitting out in the rain |
| <input type="checkbox"/> 1st time in the morning      | <input type="checkbox"/> When it is raining or wet     |
| <input type="checkbox"/> Only when it is cold outside | <input type="checkbox"/> Dry or dusty conditions       |
| <input type="checkbox"/> Only when it is hot outside  | <input type="checkbox"/> Other:                        |

### III. WHEN DRIVING:

- Through driveways
- Over rough roads
- Over speed bumps
- Only about \_\_\_\_ mph
- On acceleration
- Coming to a stop
- On turns: left, right or either (circle)
- With passengers or cargo
- Other: \_\_\_\_\_
- After driving \_\_\_\_ miles or \_\_\_\_ minutes

### IV. WHAT TYPE OF NOISE

- Squeak (like tennis shoes on a clean floor)
- Creak (like walking on an old wooden floor)
- Rattle (like shaking a baby rattle)
- Knock (like a knock at the door)
- Tick (like a clock second hand)
- Thump (heavy muffled knock noise)
- Buzz (like a bumble bee)

### TO BE COMPLETED BY DEALERSHIP PERSONNEL

Test Drive Notes:

---

---

---

	YES	NO	Initials of person performing
Vehicle test driven with customer	<input type="checkbox"/>	<input type="checkbox"/>	_____
- Noise verified on test drive	<input type="checkbox"/>	<input type="checkbox"/>	_____
- Noise source located and repaired	<input type="checkbox"/>	<input type="checkbox"/>	_____
- Follow up test drive performed to confirm repair	<input type="checkbox"/>	<input type="checkbox"/>	_____

VIN: \_\_\_\_\_ Customer Name \_\_\_\_\_

W.O.# \_\_\_\_\_ Date: \_\_\_\_\_

This form must be attached to Work Order

LATA0071E

A  
B  
C  
D  
E  
F  
G  
H  
I  
INT  
K  
L  
M  
N  
O  
P

# DOOR FINISHER

< REMOVAL AND INSTALLATION >

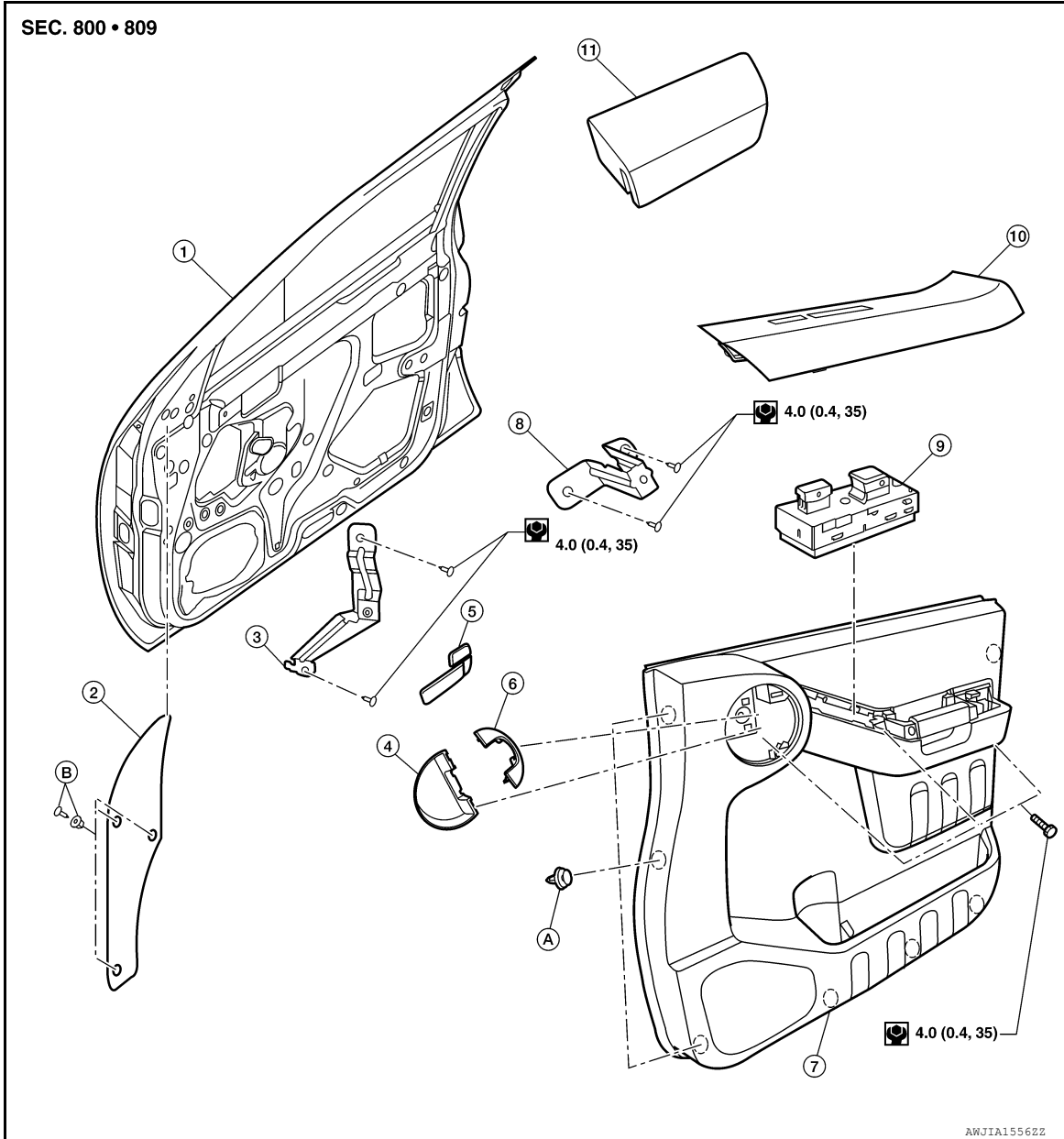
## REMOVAL AND INSTALLATION

### DOOR FINISHER

#### Removal and Installation

INFOID:000000011070841

#### FRONT DOOR



- |                                    |                       |   |
|------------------------------------|-----------------------|---|
| 1. Front door                      | 2. Mirror bolt cover  | 3. Front bracket                            |
| 4. Pull handle escutcheon          | 5. Inside door handle | 6. Pull handle cover                        |
| 7. Front door finisher (RH shown)  | 8. Rear bracket       | 9. Power window and door lock/unlock switch |
| 10. Power window/lock switch cover | 11. Armrest           | A. Clip C101                                |
| B. Clip C205                       | ⊙ Pawl                |   |

#### Removal

# DOOR FINISHER

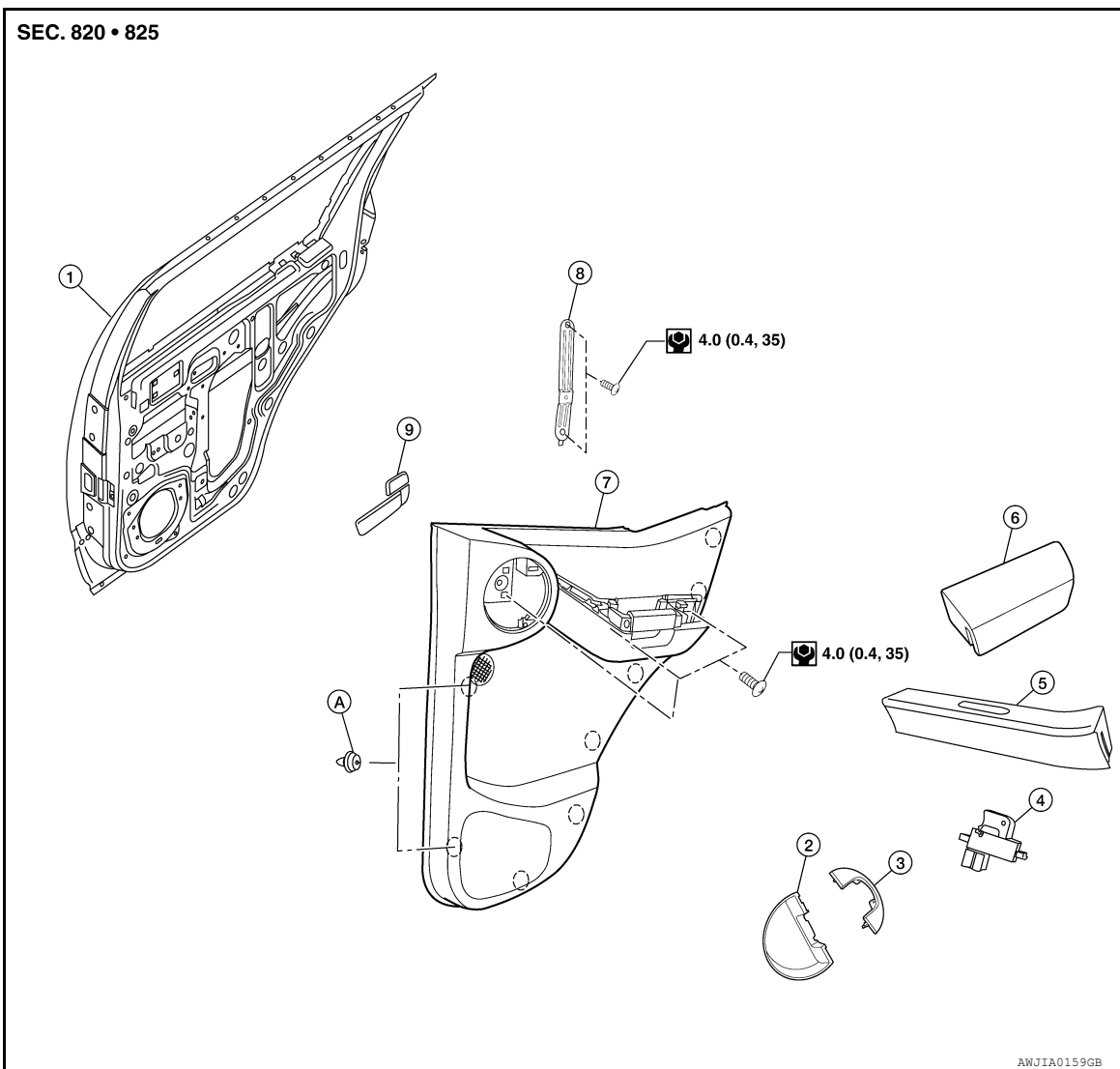
## < REMOVAL AND INSTALLATION >

1. Remove power window and door lock/unlock switch assembly. Refer to [PWC-61, "Removal and Installation"](#) (Main Power Window and Door Lock/unlock Switch) or [PWC-62, "Removal and Installation"](#) (Front Power Window and Door Lock/unlock Switch).
2. Remove pull handle escutcheon.
3. Remove pull handle cover and remove screw.
4. Remove armrest.
  - a. While pushing on the side of the armrest, pull up on the rear of the armrest releasing the lower fastening points.
  - b. With the rear of the armrest pulled upward, pull the front of the armrest toward you and remove.
5. Release clips and remove front door finisher.
  - Disconnect lock cable and handle cable from inside door handle assembly.

### Installation

Installation is in the reverse order of removal.

### REAR DOOR



- |                        |                              |                                |
|------------------------|------------------------------|--------------------------------|
| 1. Rear door           | 2. Pull handle escutcheon    | 3. Pull handle cover           |
| 4. Power window switch | 5. Power window switch cover | 6. Armrest                     |
| 7. Rear door finisher  | 8. Rear door handle bracket  | 9. Inside door handle assembly |
| A. Clip C101           | ○ Pawl                       |                                |

### Removal

## DOOR FINISHER

### < REMOVAL AND INSTALLATION >

---

1. Remove rear power window switch assembly. Refer to [PWC-63. "Removal and Installation - Rear Door Switch"](#).
2. Remove pull handle cover.
  - Remove rear door finisher screw behind pull handle cover.
3. Remove pull handle escutcheon.
4. Lift upward to release clips and remove armrest.
  - Remove rear door finisher screws behind armrest.
5. Release the clips and remove rear door finisher.
  - Disconnect the rear door tweeter (if equipped).

#### Installation

Installation is in the reverse order of removal.



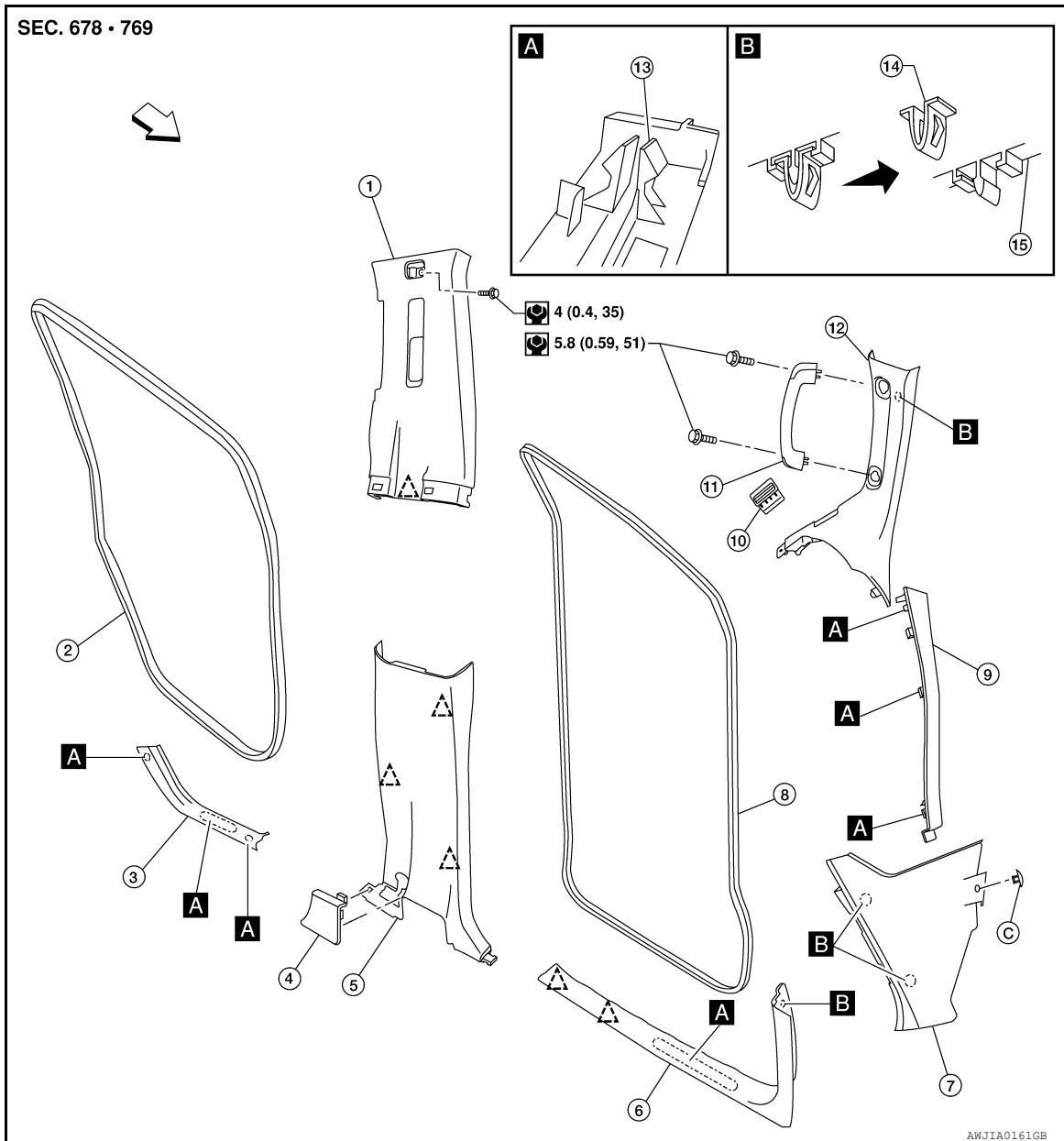
# BODY SIDE TRIM

< REMOVAL AND INSTALLATION >

## BODY SIDE TRIM

Component

INFOID:000000011070842



- |                                       |                                 |                                 |
|---------------------------------------|---------------------------------|---------------------------------|
| 1. Center pillar upper finisher       | 2. Rear door welt               | 3. Rear kick plate              |
| 4. Access cover (Passenger side only) | 5. Center pillar lower finisher | 6. Front kick plate             |
| 7. Lower dash side finisher           | 8. Front door welt              | 9. Front pillar lower finisher  |
| 10. LH side demister grille           | 11. Front pillar assist grip    | 12. Front pillar upper finisher |
| 13. Molded plastic clip               | 14. Metal clip                  | 15. Finisher                    |
| ← Front                               | C. Clip CS113                   | △ Clip C103                     |
| ○ Pawl                                |                                 |                                 |

**CAUTION:**

- Wrap the tip of suitable tool with a cloth when removing metal clips from finishers.
- When removing or installing body side door welts, do not allow butyl seal to come in contact with pillar finisher.

A  
B  
C  
D  
E  
F  
G  
H  
I  
INT  
K  
L  
M  
N  
O  
P

# BODY SIDE TRIM

< REMOVAL AND INSTALLATION >

---

## Removal and Installation

INFOID:000000011070843

### LOWER DASH SIDE FINISHER

#### Removal

1. Partially remove front door welt as necessary.
2. Remove front kick plate.
3. Remove pushpin, release the clips and remove lower dash side finisher.

#### Installation

Installation is in the reverse order of removal.

### CENTER PILLAR LOWER FINISHER

#### Removal

1. Partially remove front and rear door welts as necessary.
2. Remove seat belt anchor. Refer to [SB-6. "Removal and Installation of Front Seat Belt"](#).
  - On RH side, disconnect seat belt tension sensor.
3. Remove front and rear kick plates.
4. Release clips and remove center pillar lower finisher.

#### Installation

Installation is in the reverse order of removal.

### CENTER PILLAR UPPER FINISHER

#### Removal

1. Remove center pillar lower finisher.
2. Remove seat belt shoulder anchor and D-ring. Refer to [SB-6. "Removal and Installation of Front Seat Belt"](#).
3. Release clips and remove center pillar upper finisher.

#### Installation

Installation is in the reverse order of removal.

### FRONT PILLAR LOWER FINISHER

#### Removal

1. Partially remove front door welt as necessary.
2. Release clips and remove the front pillar lower finisher.

#### Installation

Installation is in the reverse order of removal.

### FRONT PILLAR UPPER FINISHER

#### Removal

1. Remove the front pillar lower finisher.
2. Remove the front pillar assist grip bolts and assist grip.
3. Remove the front pillar upper finisher.

#### Installation

Installation is in the reverse order of removal.

### KICK PLATES

#### Removal

Release clips and remove front and/or rear kick plates.

#### Installation

Installation is in the reverse order of removal.

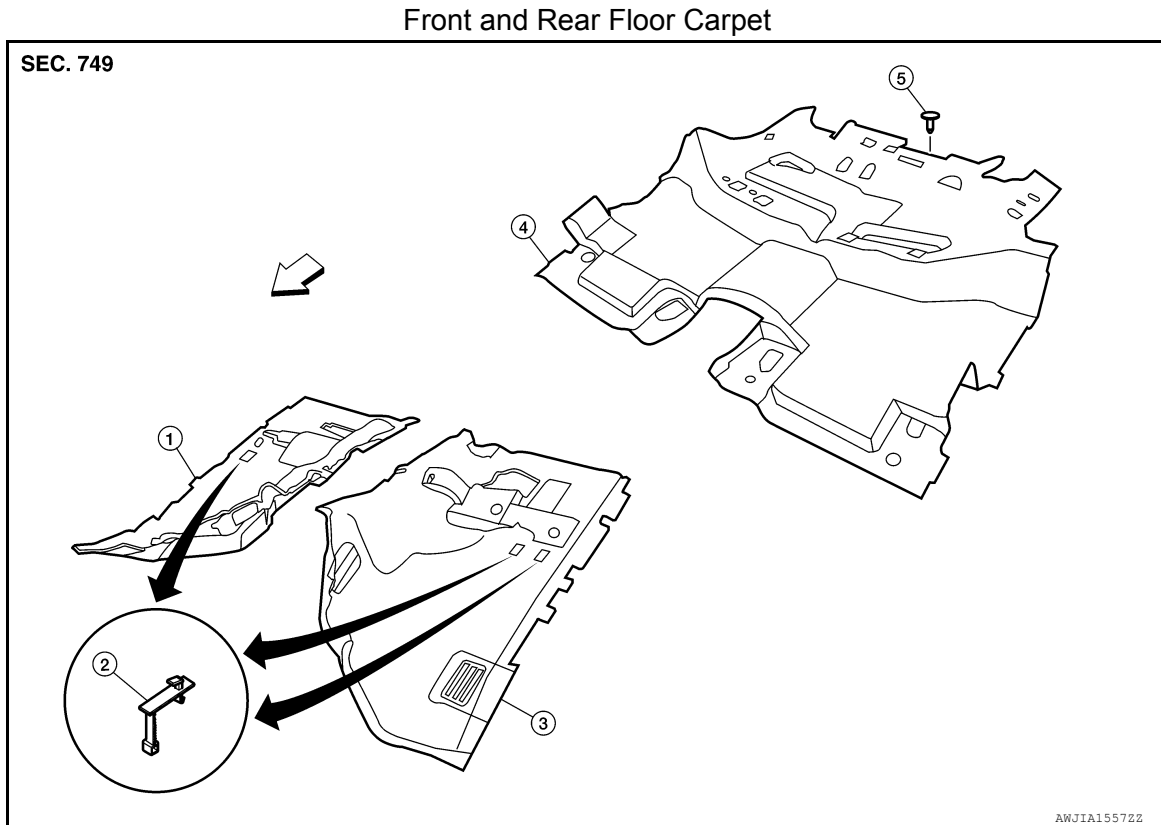
# FLOOR TRIM

< REMOVAL AND INSTALLATION >

## FLOOR TRIM

### Removal and Installation

INFOID:000000011070844



- |                      |                    |                      |
|----------------------|--------------------|----------------------|
| 1. Front carpet (RH) | 2. Floor mat hooks | 3. Front carpet (LH) |
| 4. Rear carpet       | 5. Clip            | ↔ Front              |

### FRONT CARPET

#### Removal

1. Remove front seats. Refer to [SE-21, "Removal and Installation"](#).
2. Remove subwoofer (if equipped). Refer to [AV-224, "Removal and Installation"](#).
3. Remove audio amp. or bluetooth control unit (if equipped). Refer to [AV-219, "Removal and Installation"](#) (AUDIO AMP) or [AV-54, "Removal and Installation"](#) (BLUETOOTH CONTROL UNIT).
4. Remove lower body side trim panels and kick plates. Refer to [INT-18, "Removal and Installation"](#).
5. Remove center console assembly. Refer to [IP-21, "Removal and Installation"](#).
6. Remove floor mat hooks from front carpet (LH/RH).
7. Remove front carpet (LH/RH).

#### Installation

Installation is in the reverse order of removal.

### REAR CARPET

#### Removal

1. Remove front seats. Refer to [SE-21, "Removal and Installation"](#).
2. Remove rear seats. Refer to [SE-29, "Removal and Installation"](#).
3. Remove center console assembly. Refer to [IP-21, "Removal and Installation"](#).
4. Remove luggage side lower finisher (LH/RH). Refer to [INT-24, "Removal and Installation"](#).
5. Remove cargo floor rail (LH/RH) and end covers.

## FLOOR TRIM

### < REMOVAL AND INSTALLATION >

---

6. Remove luggage floor cover, storage tray and back door kick plate. Refer to [INT-24. "Removal and Installation"](#).
7. Remove the clip from rear carpet.
8. Remove the rear carpet.

#### Installation

Installation is in the reverse order of removal.

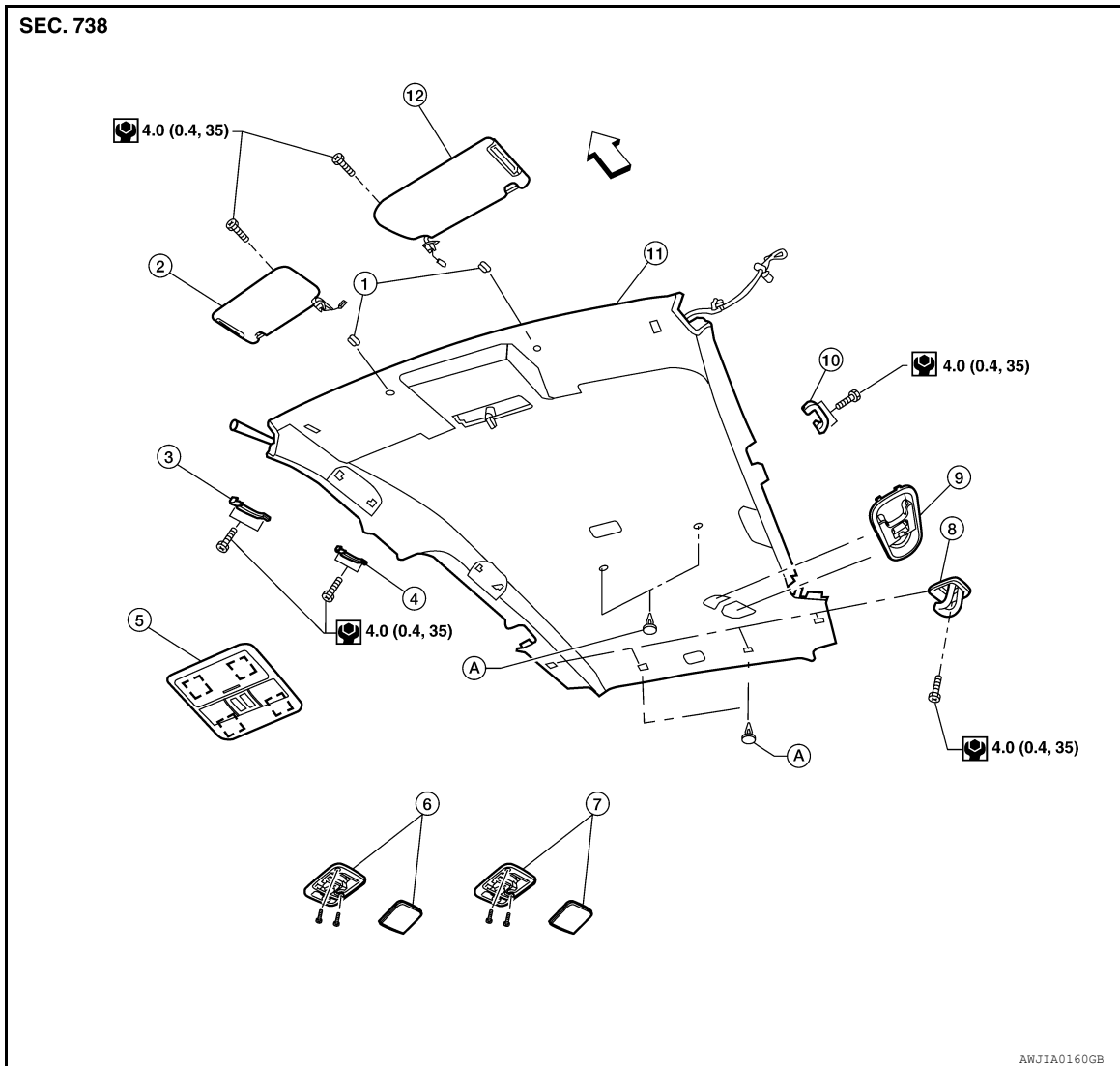
# HEADLINING

< REMOVAL AND INSTALLATION >

## HEADLINING

### Removal and Installation

INFOID:000000011070845



- |                              |                                 |                             |
|------------------------------|---------------------------------|-----------------------------|
| 1. Sun visor holders (LH/RH) | 2. Sun visor assembly (RH)      | 3. Front assist grip (RH)   |
| 4. Rear assist grip (RH)     | 5. Front room/map lamp assembly | 6. Room lamp 2nd row        |
| 7. Cargo lamp                | 8. Cargo hook                   | 9. Seat belt escutcheon     |
| 10. Rear assist grip (LH)    | 11. Headlining                  | 12. Sun visor assembly (LH) |
| A. Clip C103                 | ← Front                         | □ Metal clip                |

### REMOVAL

#### CAUTION:

Before servicing the SRS, turn the ignition switch off, disconnect both battery terminals and wait at least three minutes.

1. Disconnect both the negative and positive battery terminals and wait at least three minutes. Refer to [PG-77. "Removal and Installation"](#).
2. Remove body side trim panels. Refer to [INT-18. "Removal and Installation"](#).
3. Remove luggage floor trim upper panels. Refer to [INT-24. "Removal and Installation"](#).
4. Remove sun visor assemblies (LH/RH).

## HEADLINING

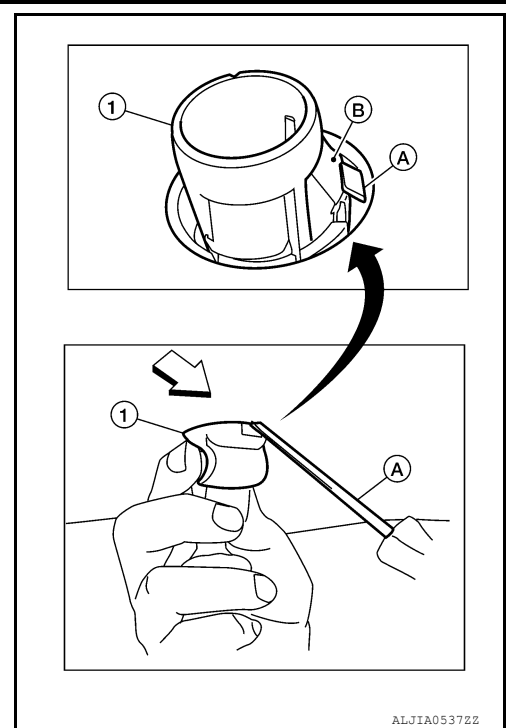
### < REMOVAL AND INSTALLATION >

5. Insert a suitable thin tool (A) at approximately a 30 degree angle into the sun visor holder notch on the front of the sun visor holder (1) and press in the locking tab (B) to release it. While holding in lock tab (B), turn the sun visor holder (1) 90 degrees to release it from the headlining.
  - If the sun visor holder (1) does not fully rotate, make sure that the suitable thin tool (A) is pressing in on the locking tab (B) and is not positioned under locking tab (B). Reinsert the suitable thin tool (A) as necessary to release the locking tab (B).

- ⇐: Front

**CAUTION:**

Do not force the sun visor holder when removing as the locking tab may be damaged if the suitable thin tool is not positioned correctly.



6. Remove cargo hooks.
7. Remove assist grips.
8. Release the clips and loosen the seat belt escutcheon from the headlining.
9. Remove the front room/map lamp assembly, room lamp 2nd row and cargo room (if equipped). Refer to [INL-59. "Removal and Installation"](#).
10. Remove headlining.

**NOTE:**

Use an assistant to steady the headlining while lowering from roof.

- Remove clips from center of headlining.
- Remove clips from rear of headlining.
- Disconnect rear washer tube at front connection, allow to drain.
- Disconnect harnesses and rear washer tube rear connections.
- Thread seat belt escutcheon through cutout in headlining.

### INSTALLATION

Installation is in the reverse order of removal.

# LUGGAGE FLOOR TRIM

< REMOVAL AND INSTALLATION >

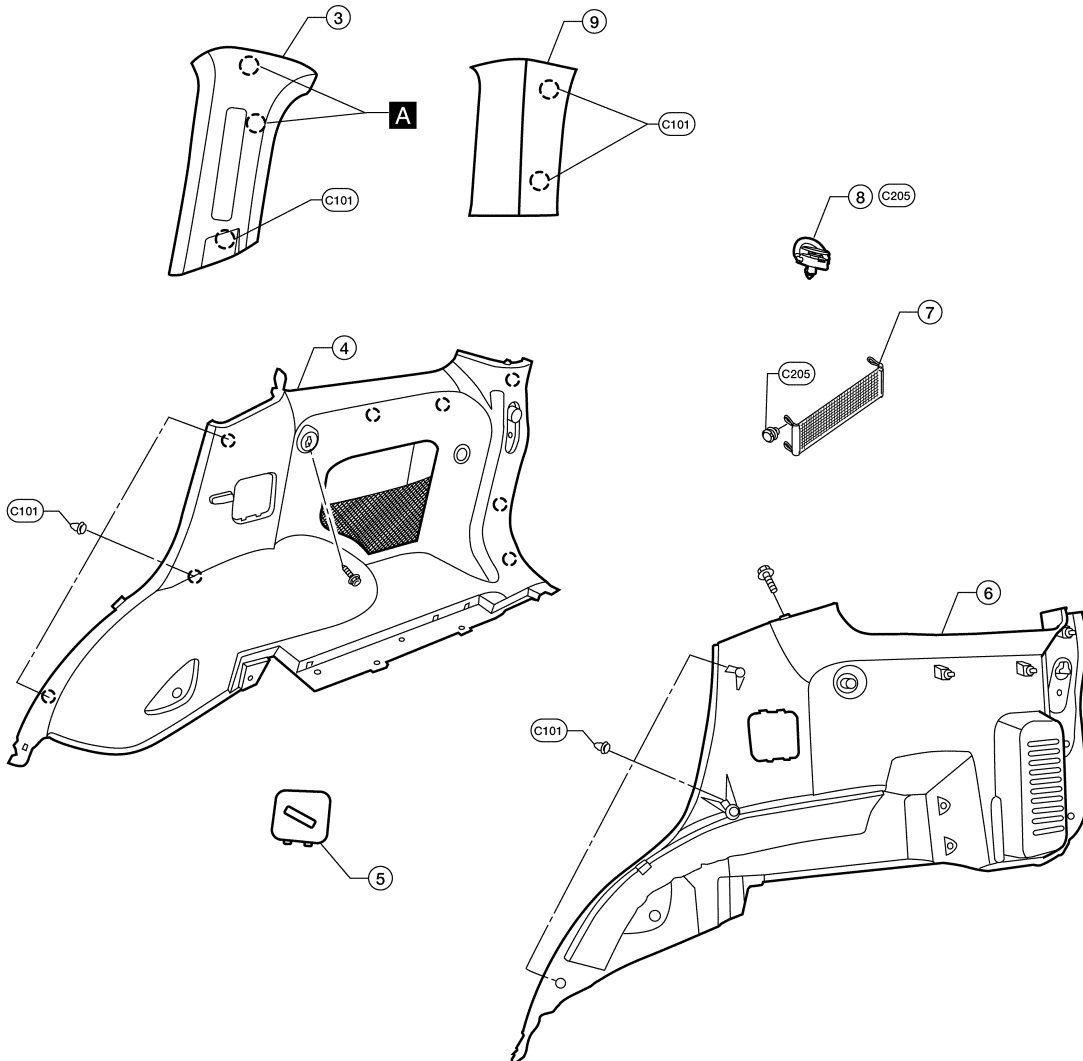
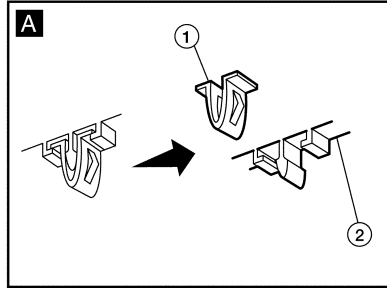
## LUGGAGE FLOOR TRIM

Component

INFOID:000000011070846

Luggage Trim - Side

SEC. 849



AWJIA05592Z

- |                                     |                            |                                     |
|-------------------------------------|----------------------------|-------------------------------------|
| 1. Metal clip                       | 2. Finisher                | 3. Luggage side upper finisher (RH) |
| 4. Luggage side lower finisher (RH) | 5. Seat striker escutcheon | 6. Luggage side lower finisher (LH) |

A  
B  
C  
D  
E  
F  
G  
H  
I  
INT  
K  
L  
M  
N  
O  
P

# LUGGAGE FLOOR TRIM

## < REMOVAL AND INSTALLATION >

7. Side cargo net

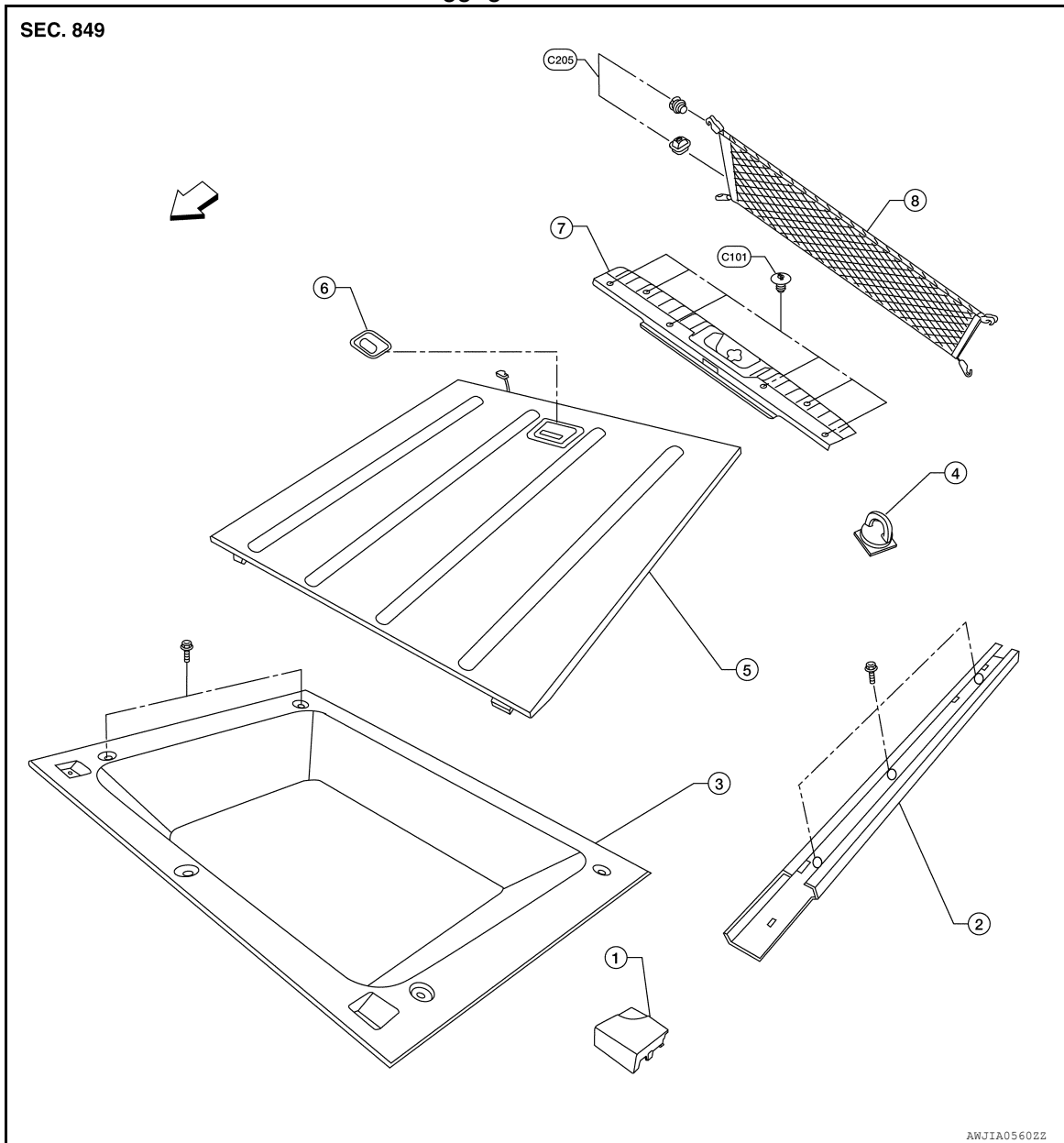
8. Cargo net hook

9. Rear pillar upper finisher (RH)

⇐ Front

○ Pawl

### Luggage Trim - Floor



1. Cargo floor rail end cover

2. Cargo floor rail

3. Storage tray

4. Cargo hook

5. Luggage floor cover

6. Luggage floor cover latch

7. Back door kick plate

8. Cargo net

⇐ Front

## Removal and Installation

INFOID:000000011070847

### REMOVAL

1. Remove the luggage floor cover.
2. Remove the back door kick plate.
3. Remove the storage tray.
4. Remove the cargo hooks (LH/RH).
5. Remove the cargo floor rail end covers (LH/RH).
6. Remove the cargo floor rails (LH/RH).



# LUGGAGE FLOOR TRIM

## < REMOVAL AND INSTALLATION >

---

7. Remove the 2nd row seats. Refer to [SE-29, "Removal and Installation"](#).
8. Remove the 2nd row seat belts. Refer to [SB-8, "Removal and Installation of Rear Seat Belt"](#).
9. Remove the cargo net hooks (LH/RH).
10. Remove the back door kick plate.
11. Remove the seat striker escutcheon (LH/RH).
12. Remove the luggage side lower finishers (LH/RH).
  - Disconnect the power point on the RH side.
13. Remove the luggage side upper finishers (LH/RH).
14. Remove the rear pillar upper finishers (LH/RH).

## INSTALLATION

Installation is in the reverse order of removal.

A  
B  
C  
D  
E  
F  
G  
H  
I  
K  
L  
M  
N  
O  
P

INT

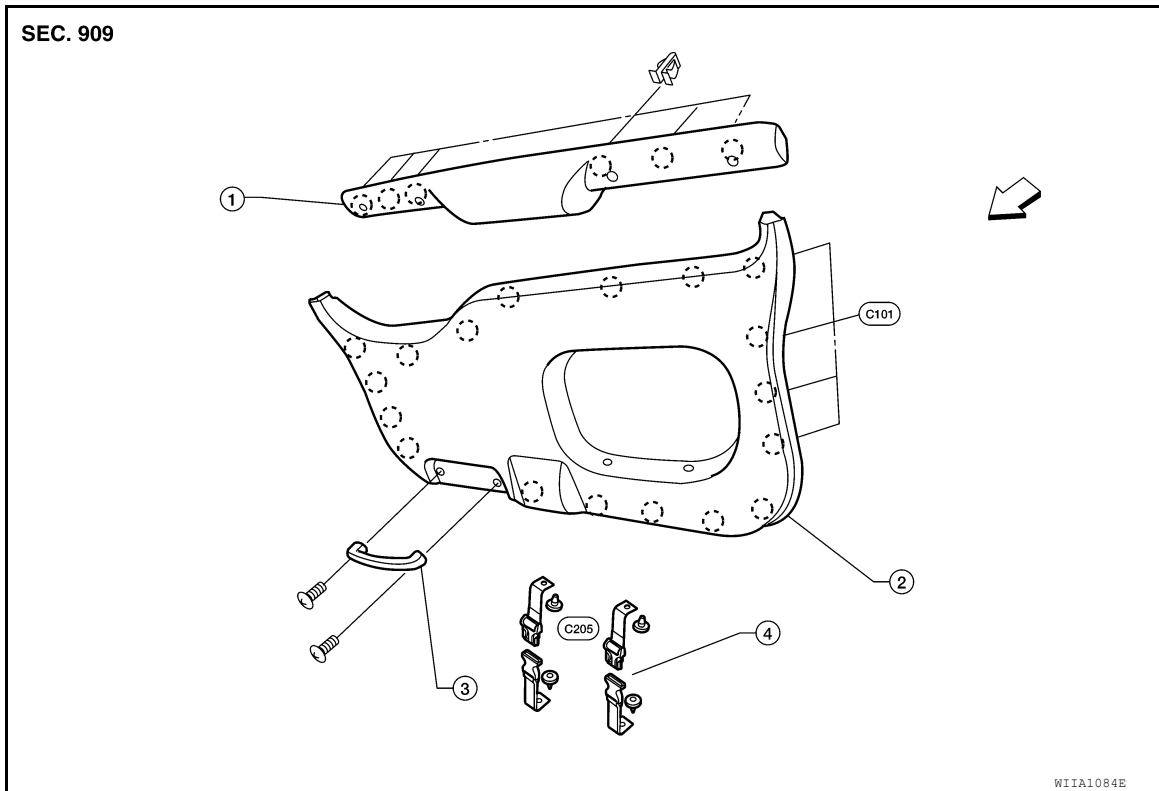
# BACK DOOR TRIM

< REMOVAL AND INSTALLATION >

## BACK DOOR TRIM

### Removal and Installation

INFOID:000000011070848



- 1. Back door upper finisher
  - 2. Back door lower finisher
  - 3. Back door pull handle
  - 4. First aid kit strap
- ← Front
- Pawl

### REMOVAL

1. Open the back door, release the clips and remove back door upper finisher.
2. Remove the back door pull handle.
3. Release the push pins and remove the first aid kit straps.
4. Release the clips and remove back door finisher assembly.

### INSTALLATION

Installation is in the reverse order of removal.