

A
B
C

SECTION **PB**

PARKING BRAKE SYSTEM

CONTENTS

<p>PRECAUTION 2</p> <p>PRECAUTIONS 2</p> <p style="padding-left: 20px;">Precaution for Supplemental Restraint System (SRS) "AIR BAG" and "SEAT BELT PRE-TENSIONER"2</p> <p>PREPARATION 3</p> <p>PREPARATION 3</p> <p style="padding-left: 20px;">Commercial Service Tool3</p> <p>REMOVAL AND INSTALLATION 4</p> <p>PARKING BRAKE SYSTEM 4</p> <p style="padding-left: 20px;">On-Vehicle Service4</p>	<p>UNIT REMOVAL AND INSTALLATION 5</p> <p>PARKING BRAKE CONTROL 5</p> <p style="padding-left: 20px;">Component 5</p> <p style="padding-left: 20px;">Removal and Installation 6</p> <p>PARKING BRAKE SHOE 7</p> <p style="padding-left: 20px;">Component 7</p> <p style="padding-left: 20px;">Removal and Installation 7</p> <p>SERVICE DATA AND SPECIFICATIONS (SDS)10</p> <p>SERVICE DATA AND SPECIFICATIONS (SDS)10</p> <p style="padding-left: 20px;">Parking Drum Brake10</p> <p style="padding-left: 20px;">Parking Brake Control10</p>
--	---

A
B
C
D
E
PB
G
H
I
J
K
L
M
N
O
P

PRECAUTIONS

< PRECAUTION >

PRECAUTION

PRECAUTIONS

Precaution for Supplemental Restraint System (SRS) "AIR BAG" and "SEAT BELT PRE-TENSIONER"

INFOID:000000011069763

The Supplemental Restraint System such as "AIR BAG" and "SEAT BELT PRE-TENSIONER", used along with a front seat belt, helps to reduce the risk or severity of injury to the driver and front passenger for certain types of collision. This system includes seat belt switch inputs and dual stage front air bag modules. The SRS system uses the seat belt switches to determine the front air bag deployment, and may only deploy one front air bag, depending on the severity of a collision and whether the front occupants are belted or unbelted. Information necessary to service the system safely is included in the SR and SB section of this Service Manual.

WARNING:

- To avoid rendering the SRS inoperative, which could increase the risk of personal injury or death in the event of a collision which would result in air bag inflation, all maintenance must be performed by an authorized NISSAN/INFINITI dealer.
- Improper maintenance, including incorrect removal and installation of the SRS, can lead to personal injury caused by unintentional activation of the system. For removal of Spiral Cable and Air Bag Module, see the SR section.
- Do not use electrical test equipment on any circuit related to the SRS unless instructed to in this Service Manual. SRS wiring harnesses can be identified by yellow and/or orange harnesses or harness connectors.

PRECAUTIONS WHEN USING POWER TOOLS (AIR OR ELECTRIC) AND HAMMERS

WARNING:

- When working near the Airbag Diagnosis Sensor Unit or other Airbag System sensors with the Ignition ON or engine running, DO NOT use air or electric power tools or strike near the sensor(s) with a hammer. Heavy vibration could activate the sensor(s) and deploy the air bag(s), possibly causing serious injury.
- When using air or electric power tools or hammers, always switch the Ignition OFF, disconnect the battery and wait at least three minutes before performing any service.

PREPARATION

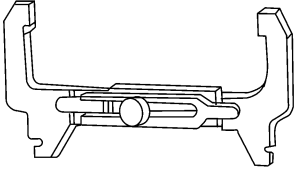

< PREPARATION >

PREPARATION

PREPARATION

Commercial Service Tool

INFOID:000000011069764

Tool name	Description
<p data-bbox="159 411 454 441">Brake drum clearance gauge</p>  <p data-bbox="865 632 938 646">WFIA0167E</p>	<p data-bbox="1060 411 1469 441">Measuring rear rotor drum inner diameter</p>
<p data-bbox="159 661 272 690">Power tool</p>  <p data-bbox="865 884 938 898">PIIB1407E</p>	<p data-bbox="1060 661 1396 690">Loosening nuts, screws and bolts</p>

A

B

C

D

E

PB

G

H

I

J

K

L

M

N

O

P

PARKING BRAKE SYSTEM

< REMOVAL AND INSTALLATION >

REMOVAL AND INSTALLATION

PARKING BRAKE SYSTEM

On-Vehicle Service

INFOID:000000011069765

LEVER STROKE

- When parking brake lever is operated with the specified force, make sure the stroke is within the specified number of notches. Check by listening and counting the ratchet clicks.

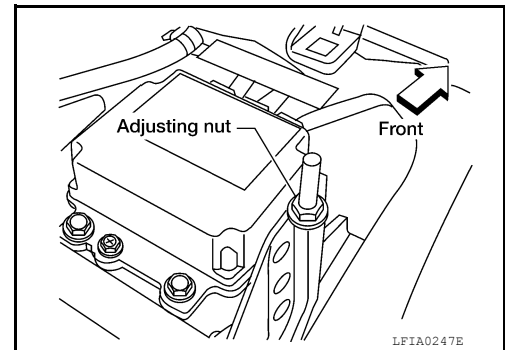
Lever stroke : Refer to [PB-10, "Parking Brake Control"](#).

INSPECTION

- Make sure the components are attached properly, checking for looseness or backlash.
- Check parking brake lever assembly for bends, damage and cracks, and replace if necessary.
- Check cable for wear and damage, and replace if necessary.
- Check parking brake warning lamp switch for malfunction, and replace if necessary. Refer to [WCS-38, "Wiring Diagram"](#).

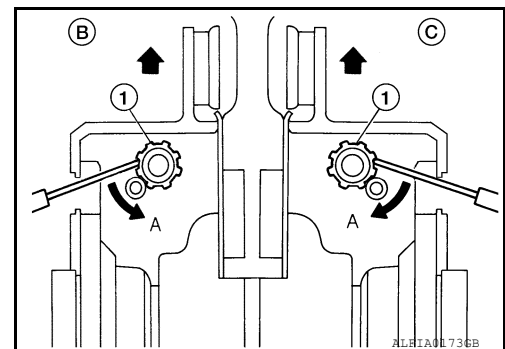
ADJUSTMENT

1. Remove rear half of the center console. Refer to [IP-24, "Disassembly and Assembly"](#).
2. Rotate adjusting nut and loosen cable until tension is fully released.



3. Remove the rear wheel and tire using power tool. Refer to [WT-48, "Adjustment"](#).
4. Using wheel nuts, secure the disc to the hub to prevent it from tilting.

5. Remove the adjuster (1) hole plug installed on the disc rotor. Turn the adjuster in direction (A) using a suitable tool as shown, until disc rotor is locked. Turn the adjuster (1) in the opposite direction by 5 or 6 notches after locking.



6. Rotate disc rotor to make sure there is no drag.

- (B): LH
- (C): RH
- ←: Front

7. Adjust cable as follows:

- a. Rotate the adjusting nut to adjust the parking brake lever operating force to 294 N (29.9 kg-f, 66.0 ft-lb) just before a full lever stroke 229.0 mm (9.0 in).
- b. When replacing brake cable, operate parking brake lever 10 or more times with a full stroke of 229.0 mm (9.0 in).
- c. Release the parking brake lever and rotate the disc rotor to make sure there is no drag.
- d. Rotate adjusting nut to adjust lever stroke to specification.

Lever stroke : Refer to [PB-10, "Parking Brake Control"](#).

- e. With parking brake lever completely disengaged, make sure there is no drag on the parking brake.

PARKING BRAKE CONTROL

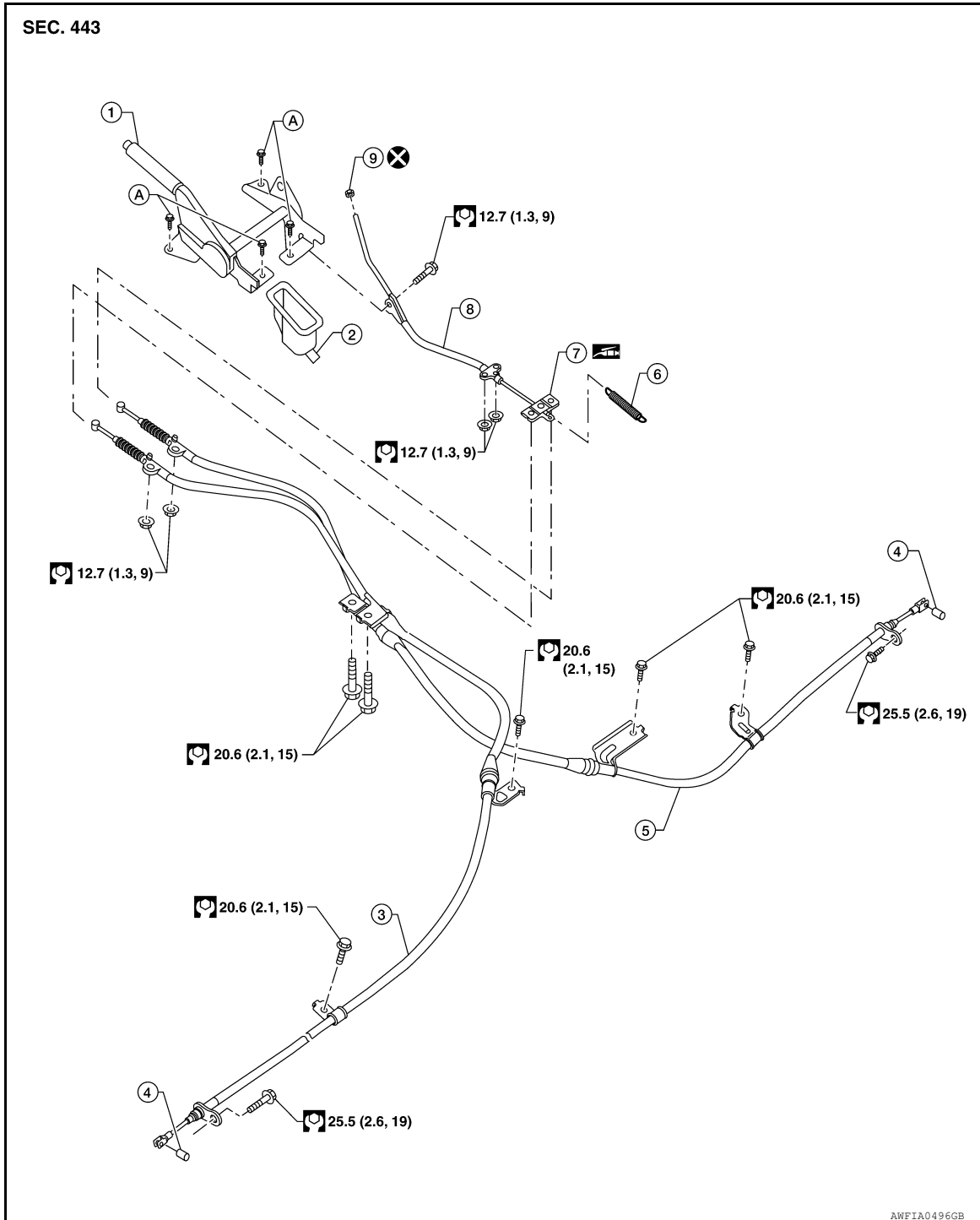
< UNIT REMOVAL AND INSTALLATION >

UNIT REMOVAL AND INSTALLATION

PARKING BRAKE CONTROL

Component

INFOID:000000011069766



- | | | |
|---|------------------------|--------------------|
| 1. Control lever assembly | 2. Front cable grommet | 3. Rear cable (LH) |
| 4. Pin | 5. Rear cable (RH) | 6. Return spring |
| 7. Equalizer | 8. Front cable | 9. Adjusting nut |
| A. Refer to installation for tightening | | |

PARKING BRAKE CONTROL

< UNIT REMOVAL AND INSTALLATION >

Removal and Installation

INFOID:000000011069767

REMOVAL

1. Disconnect the return spring from the equalizer.
2. Remove the rear cables (LH/RH) from the equalizer.
3. Remove the front cable nuts from underneath the vehicle.
4. Remove the rear half of the center console. Refer to [IP-24. "Exploded View"](#).
5. Disconnect park brake switch.
6. Remove park brake switch.
7. Remove the four control lever assembly bolts, then remove the control lever assembly.
8. Remove the front cable grommet from the control lever assembly.
9. Remove the front cable to control lever assembly bolt.
10. Remove the adjusting nut and discard, then remove the front cable.

CAUTION:

Do not reuse the adjusting nut.

11. Remove the rear disc rotors. Refer to [BR-41. "Removal and Installation of Brake Caliper and Disc Rotor"](#).
12. Remove the parking brake shoes (LH/RH), then disconnect the rear cables from the toggle levers.
13. Remove the LH and RH rear cable bolts and nuts, then remove the rear cables (LH/RH).

INSTALLATION

Installation is in the reverse order of removal.

- The control lever assembly bolts must be installed in the following order:

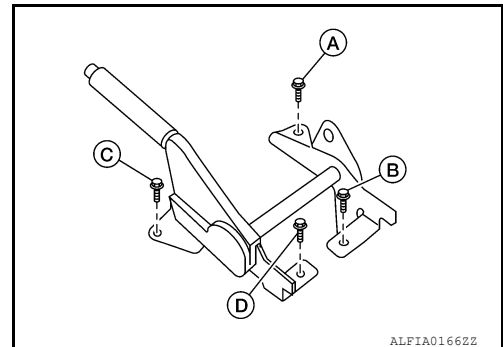
Control lever assembly bolt : 12.7 N·m (1.3 kg-m, 9 ft-lb)

1. Install and temporarily tighten the control lever assembly bolts (A), (B) and (D).
2. Install and tighten the control lever assembly bolt (C) to specification.
3. Tighten the control lever assembly bolt (D) to specification.
4. Tighten the control lever assembly bolt (A) to specification.
5. Tighten the control lever assembly bolt (B) to specification.

- Adjust the parking brake. Refer to [PB-4. "On-Vehicle Service"](#).

CAUTION:

- **Do not reuse the adjusting nut.**
- **Install the control lever assembly bolts in the specified order and pattern.**



ALPIA01662Z

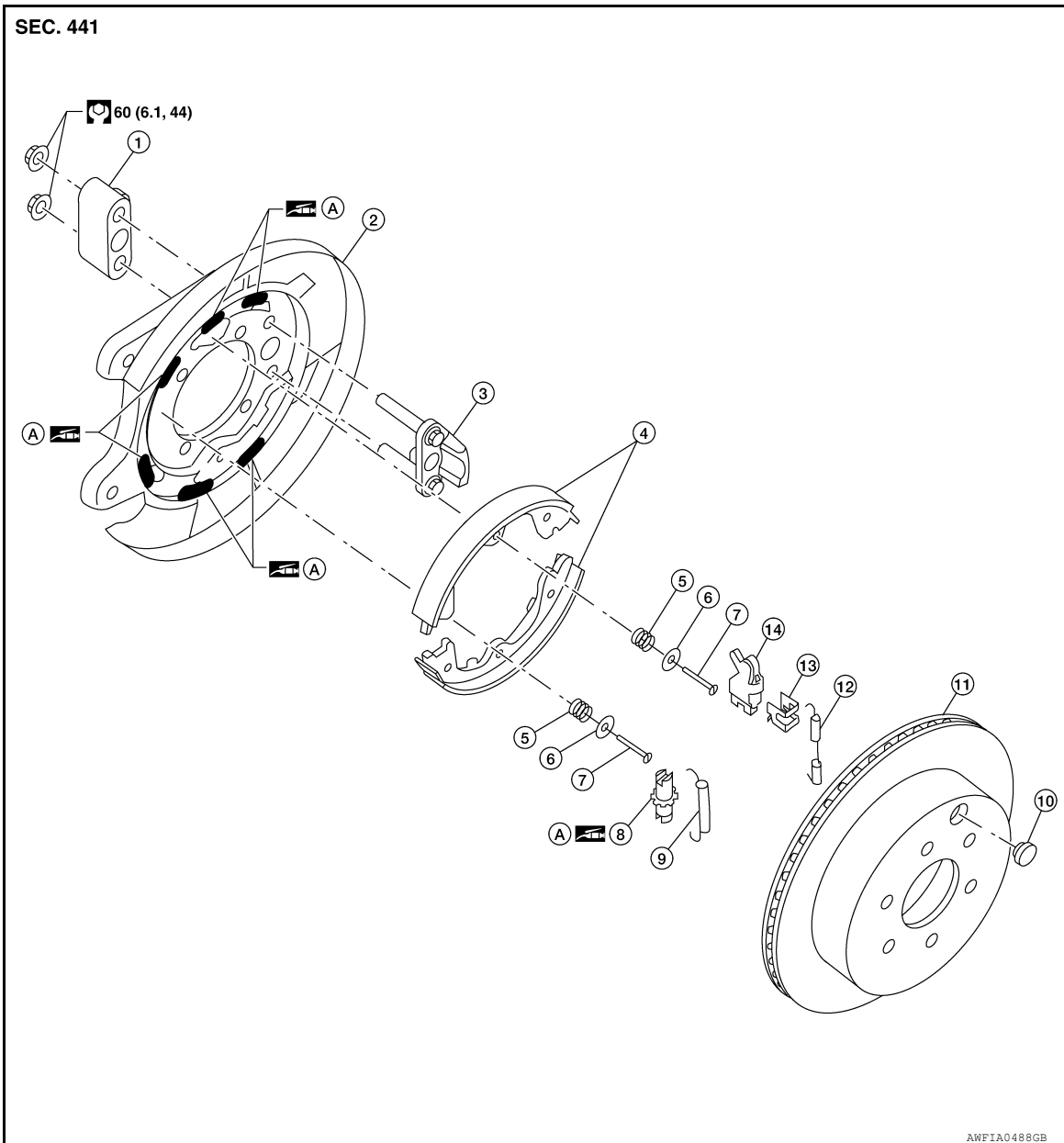
PARKING BRAKE SHOE

< UNIT REMOVAL AND INSTALLATION >

PARKING BRAKE SHOE

Component

INFOID:0000000011069768



- | | | |
|--------------------------|--------------------------|---|
| 1. Anchor block | 2. Back plate | 3. Anchor |
| 4. Shoes | 5. Shoe hold-down spring | 6. Retainer |
| 7. Shoe hold-down pin | 8. Adjuster | 9. Rear return spring |
| 10. Adjuster access plug | 11. Disc rotor | 12. Front return spring |
| 13. Pin retainer | 14. Toggle lever | A. PBC (Poly Butyl Cuprysil) grease or equivalent |

Removal and Installation

INFOID:0000000011069769

REMOVAL

WARNING:

Clean the brakes with a vacuum dust collector to minimize the hazard of airborne particles or other materials.

A
B
C
D
E
PB
G
H
I
J
K
L
M
N
O
P

PARKING BRAKE SHOE

< UNIT REMOVAL AND INSTALLATION >

NOTE:

Remove the disc rotor only with the parking brake lever completely disengaged.

1. Remove the rear disc rotor. Refer to [BR-41, "Removal and Installation of Brake Caliper and Disc Rotor"](#).
2. Remove the return springs.
3. Remove the adjuster.
4. Remove the retainers, shoe hold-down pins, shoe hold-down springs and shoes.
5. Remove pin retainer, then disconnect the parking brake cable from the toggle lever.

INSPECTION AFTER REMOVAL

Lining Thickness Inspection

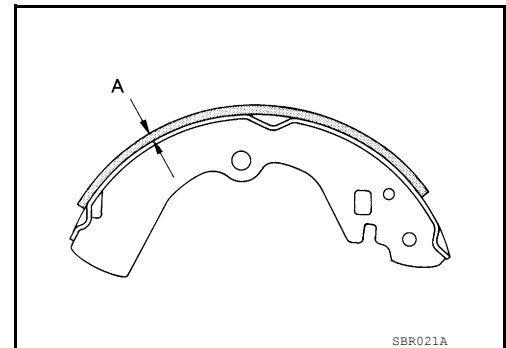
- Check thickness of lining.

Standard thickness (A)

Refer to [PB-10, "Parking Drum Brake"](#)

Wear limit thickness (A)

Refer to [PB-10, "Parking Drum Brake"](#)



SBR021A

Drum Inner Diameter Inspection

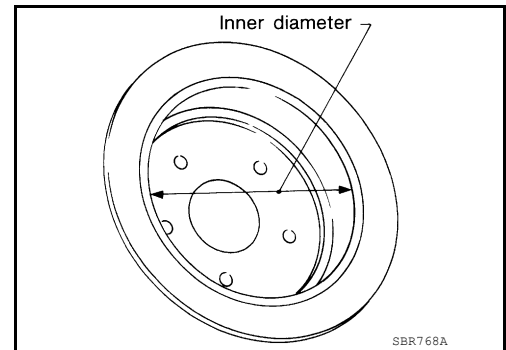
- Check drum inner diameter.

Standard inner diameter

Refer to [PB-10, "Parking Drum Brake"](#)

Wear limit of inner diameter

Refer to [PB-10, "Parking Drum Brake"](#)



SBR768A

Other Inspections

- Check shoe sliding surface for excessive wear and damage.
- Check anti-rattle pin for excessive wear and corrosion.
- Check the front and rear return spring for sagging.
- Check adjuster for rough operation.
- When disassembling adjuster, apply PBC (Poly Butyl Cuprysil) grease or equivalent to the adjuster threads.
- Check either visually or with a vernier caliper to see if there is any excessive wear, cracks, or damage inside drum.

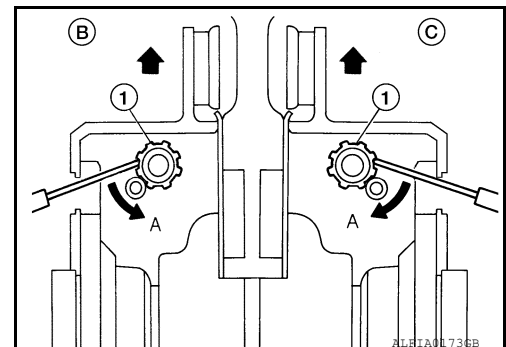
INSTALLATION

Installation is in the reverse order of removal.

- Apply PBC (Poly Butyl Cuprysil) grease or equivalent to the specified points during assembly. Refer to [PB-7, "Component"](#).
- Install adjuster (1) so that threaded part expands when rotating it in the direction shown (A) using a suitable tool.
- Shorten adjuster (1) by rotating it in the opposite direction as shown (A).
- (B): LH
- (C): RH
- ←: Front

NOTE:

After replacing brake shoes or disc rotors, or if parking brake does not function well, perform break-in operation as follows.



ALH1A01 736B

PARKING BRAKE SHOE

< UNIT REMOVAL AND INSTALLATION >

1. Adjust parking brake lever stroke. Refer to [PB-4, "On-Vehicle Service"](#). A
2. Perform parking brake burnishing operation by driving the vehicle forward under the following conditions:
 - Maintain vehicle speed 40 +10, -0 km/h (25 +6, -0 MPH) moving forward.
 - Apply the parking brake control lever with an operating force of 200 +49, -0 N (20.4 +5.0, -0 kg-f, 45.0 +11.0, -0 lb-ft). B
 - Apply the parking brake control lever 10 +5, -0 seconds before releasing.

CAUTION: C

- To prevent lining from getting too hot, allow a cool off period of approximately 5 minutes after every break-in operation.
 - Do not perform excessive break-in operations, because it may cause uneven or early wear of lining. D
3. After burnishing operation, check parking brake lever stroke. Readjust if it is now longer than the specified stroke. Refer to [PB-4, "On-Vehicle Service"](#). E

PB

G

H

I

J

K

L

M

N

O

P

SERVICE DATA AND SPECIFICATIONS (SDS)

< SERVICE DATA AND SPECIFICATIONS (SDS)

SERVICE DATA AND SPECIFICATIONS (SDS)

SERVICE DATA AND SPECIFICATIONS (SDS)

Parking Drum Brake

INFOID:0000000011069770

Unit: mm (in)

Type		Drum
Brake lining	Standard thickness (new)	3.33 (0.131)
	Wear limit thickness	0.5 (0.020)
Drum inner diameter (disc)	Standard inner diameter (new)	190.0 (7.480)
	Wear limit of inner diameter	191 (7.520)

Parking Brake Control

INFOID:0000000011069771

Control type	Control lever
Number of notches [under force of 196 N (20.0 kg-f, 44.1 lb-f)]	6 – 8 notches
Number of notches when warning lamp switch comes on	1 notch